



E-180 DTH 375

TRAILER JETTER
MANUFACTURED IN THE USA



E-180 DTH 375 Specifications

PRESSURE AND FLOW

Up to 4000 PSI and 18 GPM

PUMP

Harben Run Dry Radial Piston Diaphragm Pump

ENGINE

Hatz 49 HP Diesel Engine
Kubota Engine optional

WATER TANK

375 Gallon Capacity

DIESEL TANK

17 Gallon (8 hr run time under normal operating conditions)

FRAME

Folded Steel Shot Blasted and Powder Coated

HOSE REEL

Hydraulic 180° Pivoting Hose Reel (1/2" X 500' capacity) with Speed Control

DIMENSIONS

186" L X 88" W X 75" H. Weight 3800lbs Dry* and 5700lbs Loaded*

BUILD OPTIONS

Wireless Remote 800' Range - With Clear Line of Sight, High Altitude, Lateral Kit, Dump Gun

* All weights and dimensions are approximate

Partner with the company that revolutionized water jetting.

- Proven Harben Built Quality
- Up to 4000 PSI @ 18 GPM
- Cleans Drains Up To 18 Inch Diameter
- Hydraulic 180° Pivoting Hose Reel
- Wireless Remote Option
- Antifreeze Tank
- Jump Jet Pulsation System
- Lightweight & Compact
- Longer Maintenance Interval

Standard Options

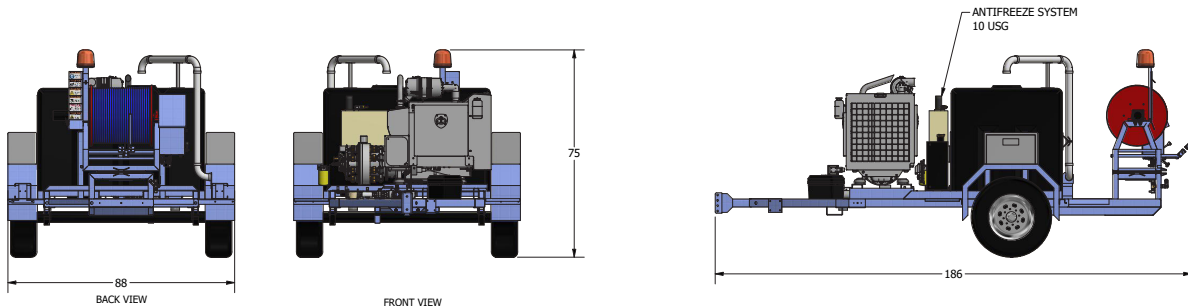
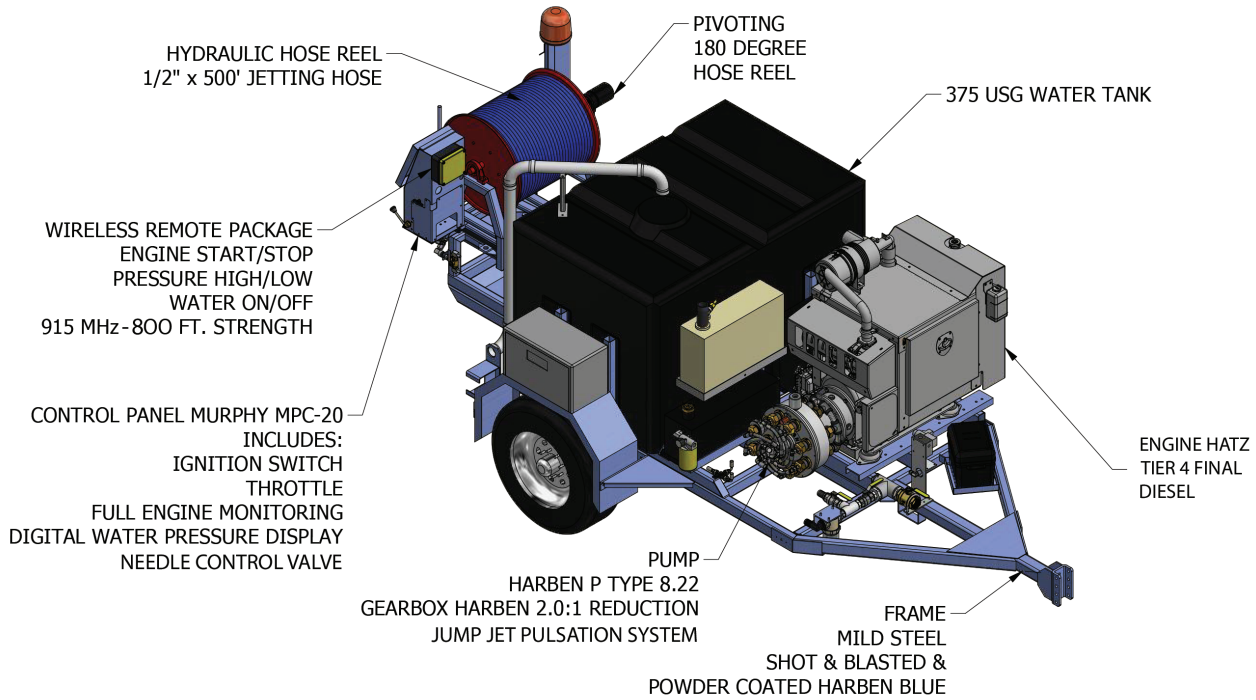
- 9" Drain Jet Extension
- 2" Tiger Tail
- 10 Gal Antifreeze System
- 16" Chrome Wheels and Tires
- 12 Volt Outlet
- Jump Jet Pulsation System
- LED Strobe Light
- Workstation Light
- Flow Control Valve
- Pressure Discs
- 2 1/2" Hydrant Fitting
- Manhole Light
- Pressure Relief Valve
- 2 5/6" Trailer Coupler

Optional Accessories

- 10' Orange Leader Hose
- 1/4" Mini Jet Kit
- MK2 Dump Gun
- Hose Footage Counter
- Garden Hose Fill
- 500ft. of 1/2" High Pressure Hose
- 2" Jet Pump
- Warthog 1/2" Nozzle Package
- Nozzle Holder
- Larger Fender Tool Boxes
- High Efficiency Drain Jet 6R
- High Efficiency Drain Jet 3R1F
- Two Aluminum Fender Tool Boxes
- Dry Shut Gun
- Arrowboard

See more at harben.com

About the E-180 DTH 375



Harben Incorporated provides the information here in good faith but makes no representation as to its comprehensiveness or accuracy. This data sheet/quotation is intended only as a guide to Harben Incorporated products and services. Individuals using this data sheet/quotation must exercise their independent judgment in evaluating product selection and determining product appropriateness for their particular purpose and system requirements. Harben Incorporated makes no representations or warranties, either expressly or implied, including without limitation any warranties of merchantability or fitness for a particular purpose with respect to the information set forth herein or the product(s) to which the information refers. Accordingly, Harben Incorporated will not be responsible for damages (of any kind, or nature incidental, indirect or consequential damages) resulting from the use of or reliance upon this information. Harben Incorporated reserves the right to change product designs and specifications without notice.

WHAT PEOPLE ARE SAYING

"I was so impressed with the reliability and ease of maintenance of my Harben® Pump that I maintained my own fleet and formed a business servicing Harben® jetters in the Northern California area."

- Gary M.

(770) 889-9535
sales@harben.com



harben.com