

Operator's manual

Vibrating plate

AP

**1840we, 1840e, 1850we,
1850e**



Model	AP
Document	5100038508
Issue	09.2018
Version	04
Language	en

Copyright © 2018 Wacker Neuson Produktion GmbH & Co. KG

Printed in Germany

All rights are reserved, in particular the worldwide applicable copyright, right of duplication and right of distribution.

This document may only be used by the recipient for the intended purpose. The document may not be reproduced entirely or partially, or translated into any other language.

Reproduction or translation, even extracts thereof, only with written approval of Wacker Neuson Produktion GmbH & Co. KG.

Any breach of the statutory provisions, in particular the protection of copyright, will lead to civil and criminal prosecution.

Wacker Neuson Produktion GmbH & Co. KG is constantly working on the improvement of its products as part of the technical further development. Therefore, we reserve the right to make changes to the illustrations and descriptions in this documentation without incurring any obligation to make changes to machines already delivered.

Errors excepted.

The machine on the cover may have special equipment (options).



Manufacturer

Wacker Neuson Produktion GmbH & Co. KG

Wackerstraße 6

D-85084 Reichertshofen

www.wackerneuson.com

Tel.: +49 845 3340 3200

E-mail address: service-LE@wackerneuson.com

Original operator's manual

1 CALIFORNIA Proposition 65 Warning

**WARNING**

The engine exhaust from this product contains chemicals known to the State of California to cause cancer, birth defects, or other reproductive harm.

**WARNING**

Diesel engine exhaust and some of its constituents are known to the State of California to cause cancer, birth defects, and other reproductive harm.

**WARNING**

Cancer and Reproductive Harm -
www.P65Warnings.ca.gov.

**WARNING**

Batteries, battery posts, terminals and related accessories contain lead and lead compounds, and other chemicals known to the State of California to cause cancer and birth defects or other reproductive harm. WASH HANDS AFTER HANDLING.





1	CALIFORNIA Proposition 65 Warning	3
2	Preface	7
3	Introduction	8
	3.1 Using the manual.....	8
	3.2 Storage location of the manual	8
	3.3 Accident prevention regulations.....	8
	3.4 More information.....	8
	3.5 Target group	8
	3.6 Explanation of symbols.....	8
	3.7 Wacker Neuson Contact partner	9
	3.8 Disclaimer.....	9
	3.9 Product identification of the machine.....	9
4	Security	10
	4.1 Policy	10
	4.2 Proper use	10
	4.3 Structural changes.....	10
	4.4 Areas of responsibility of the operator	11
	4.5 Operator responsibilities	11
	4.6 Personnel qualification.....	11
	4.7 Residual dangers.....	11
	4.8 General safety instructions	11
	4.9 Specific safety instructions – Vibratory plates	12
	4.10 General safety instructions – Fuel, lubricants and coolants	14
	4.11 Maintenance	14
	4.12 General safety instructions - Rechargeable battery (accessories)	14
	4.13 General safety instructions - Battery charger (accessories).....	15
	4.14 Personal Protective Equipment	16
	4.15 Behavior in dangerous situations.....	17
5	Safety and information labels	18
6	Setup and function	20
	6.1 Standard package	20
	6.2 Application areas	20
	6.3 Short description.....	20
	6.4 Versions.....	20
7	Components and operator's controls	21
	7.1 Components	21
	7.2 Operator's controls	21
	7.3 Components and operator's controls of the rechargeable battery (optional).....	22
	7.4 Components and operator's controls of the battery charger (optional).....	22
8	Transport	23
	8.1 Loading and transporting the machine	23
	8.2 Packaging and transporting the rechargeable battery	24
	8.3 Transporting the battery charger	24
9	Storage	24
	9.1 Specific storage - Rechargeable battery.....	24
10	Operation and use	25
	10.1 Before commissioning	25
	10.2 Notes about operation	26
	10.3 Commissioning	27
	10.4 Operation.....	28
	10.5 Decommissioning	28



10.6	After operation	29
11	Maintenance	30
11.1	Maintenance table	30
11.2	Maintenance work.....	30
12	Troubleshooting,	33
12.1	Fault table - rechargeable battery.....	33
12.2	Fault table.....	33
13	Disposal	35
13.1	Disposal of batteries	35
14	Disposal	36
14.1	Disposal of old electrical and electronic equipment.....	36
15	Accessories	37
16	Technical data	38
16.1	Noise and vibration information	38
16.2	Vibrating plate.....	39
16.3	Rechargeable battery	40
16.4	Battery charger	40
17	Glossary	42
	EC Declaration of Conformity	43

2 Preface

This operator's manual contains important information and procedures for the safe, proper and economic operation of this Wacker Neuson machine. Carefully reading, understanding and observing is an aid to avoiding hazards, repair costs and downtime, and therefore to increasing the availability and service life of the machine.

This operator's manual is not a manual for extensive maintenance or repair work. Such work should be carried out by Wacker Neuson service or by technically trained personnel. The Wacker Neuson machine should be operated and maintained in accordance with this operator's manual. An improper operation or improper maintenance can pose dangers. Therefore, the operator's manual should be constantly available at the location of the machine.

Defective machine parts must be exchanged immediately!

If you have any questions concerning the operation or maintenance, a Wacker Neuson contact person is always available.

3 Introduction

3.1 Using the manual

This manual is to be considered part of the machine and should be carefully stored during the entire service life of the machine. This manual shall be transferred to subsequent owners or users of the machine.

3.2 Storage location of the manual

This manual is part of the machine and must be kept in the immediate vicinity of the machine and made accessible to staff at all times.

If this manual is lost, or if a second copy is required, there are two options to obtain a replacement:

- Download from the Internet: www.wackerneuson.com
- Contact your Wacker Neuson contact partner.

3.3 Accident prevention regulations

In addition to the notes and safety instructions in this manual, the local accident prevention regulations as well as the national health and safety regulations apply.

3.4 More information

This manual applies to various machine types from one product series. For this reason, some figures may vary slightly in appearance from the machine purchased. Depending on the model, there may be descriptions of components that are not included in the standard package.

The information contained in this manual is based on machines manufactured up to the time of printing. Wacker Neuson reserves the right to change this information.

The manufacturer shall immediately include any modifications or additions in this manual.

3.5 Target group

Individuals working with this machine must be regularly trained on the dangers of handling the machine.

This manual is intended for the following people:

Operating personnel:

These individuals have been trained on the machine and informed about the possible dangers in the event of improper conduct.

Technically trained personnel:

These people have professional training as well as additional knowledge and experience. They are able to assess the tasks assigned to them and recognize possible dangers.

3.6 Explanation of symbols

This manual contains specially emphasized safety instructions in the following categories: **DANGER**, **WARNING**, **CAUTION** and **NOTICE**.

Before performing any work on or with this machine, the notes and safety instructions must be read and understood. All notes and safety instructions in this manual must be passed on to the maintenance, repair, and transport personnel.



DANGER

This combination of symbol and signal word indicates a hazardous situation that will lead to death or serious injury if it is not avoided.



WARNING

This combination of symbol and signal word indicates a hazardous situation that can lead to death or serious injury if it is not avoided.



CAUTION

This combination of symbol and signal word indicates a hazardous situation that can lead to minor injury or damage to the machine if it is not avoided.

NOTICE

Supplementary information.

3.7 Wacker Neuson Contact partner

Depending on the country, the Wacker Neuson contact partner is a Wacker Neuson service department, a Wacker Neuson subsidiary, or a Wacker Neuson dealer.

On the Internet at www.wackerneuson.com.

3.8 Disclaimer

For the following violations, Wacker Neuson dismisses any liability for personal injury or material damage:

- Failure to follow this manual.
- Unintended use.
- Deployment of untrained personnel.
- Using non-approved spare parts and accessories.
- Improper handling.
- Structural modifications of any kind.
- Failure to observe the "General Terms and Conditions" (GT&Cs).

3.9 Product identification of the machine**Data of the nameplate**

The nameplate contains information that uniquely identifies this machine. This information is required for ordering spare parts and when inquiring about technical issues.

- Enter information about the machine in the following table:

Designation	Your information
Group and model	
Year of manufacture	
Machine number	
Version no.	
Item number	

4 Security

NOTICE

Read and comply with all notes and safety instructions in this manual. Failure to comply with these instructions can cause electric shock, fire and/or serious injuries as well as damage to the machine and/or damage to other objects. Keep safety instructions and notes for the future.

The notes and safety instructions in this chapter apply for all machine types described in this manual. The rechargeable battery is classified as a lithium ion battery according to international transport law. Lithium-ion batteries are a hazardous material and belong to hazardous material class 9 *Different hazardous substances and objects*.

The following information should help to comply with the obligations in this regard. In addition to the requirements named here, additional national regulations as well as exceptions due to the national transfer of multi-lateral agreements may also exist. These must also be observed:

The outline of the obligations under the hazardous material law in this manual does not release anyone from their own due diligence as well as the observance of regulations according to the original legal texts.

4.1 Policy

In keeping with the latest technological developments

The machine has been built in keeping with the latest technological developments and the recognized technical safety rules. Nevertheless, improper use can result in hazards to life and limb of the user, third parties or to damage to the machine and other material assets.

4.2 Proper use

The machine is intended for compacting soil:

- Compacting mixed and sandy soils.
- Asphalt compaction.
- Vibration of sett paving (paving stones).

The machine may only be combined and operated with permissible components.

The machine may only be operated with the rechargeable battery and accessories permitted by Wacker Neuson.

In particular, misuse is considered:

- Compaction of very cohesive soils.
- Compaction of frozen soils.
- Compaction of hard, non-compressible soils.
- Compaction of non-load-bearing soils.
- The connection of non-permissible components.
- Operating the machine outside of the power rating.
- Operation contrary to the notes and safety instructions fixed to the machine and included in the manual.

Use in accordance with the intended purpose also includes the observation of all safety instructions in this manual as well as complying with the prescribed care and maintenance instructions.

Any other use or use that exceeds this is considered as not being in accordance with the intended purpose. The manufacturer's liability and warranty are canceled for any damage resulting from improper use. The risk lies entirely with the operator.

4.3 Structural changes

Structural modifications may not be undertaken without the written permission of the manufacturer. Unapproved structural changes may result in risks to the operator and/or third parties as well as damage to the machine.

In the event of unapproved structural changes, the manufacturer's liability and guarantee are also not applicable.

The following in particular are considered structural changes:

- Opening the machine and the permanent removal of components.
- Installing spare parts that do not originate from Wacker Neuson or are not comparable in the design system and quality of the original parts.
- Attaching accessories that do not originate from Wacker Neuson.

Spare parts or accessories that originate from Wacker Neuson can be safely mounted. They can be found on the Internet under www.wackerneuson.com.

4.4 Areas of responsibility of the operator

The operator is the individual who personally operates this machine for industrial or commercial purposes or who entrusts a third party with the use. The operator bears legal responsibility for his/her protection as well as that of third parties.

The user must make the operator's manual available to the operator and ensure that this has been read and understood.

All people whose working area includes the transport of the rechargeable battery are to be instructed in the requirements for transporting hazardous goods before commencing work.

4.5 Operator responsibilities

- Know and implement the applicable industrial safety regulations.
- Use a risk assessment to identify the dangers that result from the working conditions at the site of application.
- Create operating instructions for the operation of this machine.
- Periodically check whether the user instructions correspond to the current state of regulations.
- Clearly regulate and specify the responsibilities for installation, operation, troubleshooting, maintenance and cleaning.
- Regularly train employees and inform them about potential hazards.
- Periodically refresh the instruction.
- Keep records of the training received and provide them to the competent authorities upon request.
- Provide employees with the necessary equipment.

4.6 Personnel qualification

This machine may only be installed and operated by trained personnel.

The rechargeable battery may only be transported by specially trained or instructed personnel.

Faulty operation, misuse or operation by untrained personnel can endanger health of the operator or third parties and lead to damage to or total loss of the machine.

In addition, the operator should be:

- physically and mentally fit.
- not under the influence of drugs, alcohol or medication that can impair responsiveness.
- familiar with the safety instructions in this manual.
- familiar with the intended use of this machine.
- instructed in the independent operation of the machine.

4.7 Residual dangers

Residual dangers in particular are hazards when dealing with machines that, despite a safe design, cannot be eliminated.

These residual dangers are not obvious and may be the source of a possible injury or health hazard.

If unforeseeable residual dangers occur, the operation of the machine is to be stopped immediately and the competent supervisor is to be informed. This supervisor shall make the following decisions and initiate everything required to eliminate the occurring danger.

If necessary, the machine manufacturer is to be informed.

4.8 General safety instructions

The safety instructions in this chapter include the "General Safety Instructions", which should be reported in the manual in accordance with the applicable standards. There may be information that is not relevant to this machine.

4.8.1 Working area

- Keep the working area tidy. Cluttered or dark working areas can lead to accidents.
- Before beginning work, familiarize yourself with the working environment, e.g. the load-bearing capacity of the floor or obstacles in the vicinity.
- Make working area safe for the public transport sector.
- Necessary fuse protection of walls and ceilings, e.g. in trench applications.
- Using this machine in an explosive atmosphere is prohibited.
- When using this machine, children and unauthorized individuals must be kept away. Distraction can lead to loss of control of the machine.
- Always protect the machine against tilting, rolling, sliding, and crashing. Risk of injury!

4.8.2 Service

- The machine should only be maintained/repared by technically trained personnel.
- Use only original spare parts and accessories. This preserves the operational safety of the machine.

Screw connections

All screw connections must meet the prescribed specifications and must be firmly screwed together. Observe the tightening torques!

The screws and nuts may not be damaged, bent or deformed.

Pay particular attention to:

- Captive nuts and micro-encapsulated screws may not be reused once loosened. The locking effect is lost.
- Screw connections with adhesive securing/liquid adhesives (e.g. Loctite) must be cleaned after loosening and must be provided new adhesive.

NOTICE

Observe the instructions of the liquid adhesive manufacturer.

4.8.3 Personal safety

- Working under the influence of drugs, alcohol, or drugs can lead to serious injuries.
- Protective equipment should be worn for all work. Appropriate personal protective equipment considerably reduces the risk of injury.
- Remove any tools before the machine is put into operation. Tools that are located on a rotating machine part can be ejected and cause serious injury.
- Always ensure good footing.
- In the case of extensive work with this machine, long-term vibration-induced damage cannot be ruled out. For the vibration load of the machine, see chapter *Technical data*.
- Wear suitable clothing. Keep baggy or loose clothing, protective gloves, jewelry and long hair away from moving/rotating machine parts. Danger of being pulled!
- Ensure that no other individuals are in the danger zone!

4.8.4 Handling and use

- Never operate machines whose switches are defective. Have defective switches exchanged immediately. Machines with defective switches have a high risk of injury.
- The operator's controls of the machine shall not be improperly locked, manipulated, or changed.
- Store unused machines out of the reach of children. The machine may only be operated by authorized personnel.
- Handle the machine with care. Have defective parts exchanged immediately before the machine is operated. Defective machines have a high risk of accidents.
- Use the machine, accessories, insertion tools, etc. according to these instructions.
- After operation, store the cooled-down machine in a locked, clean, frost-protected, and dry location that is inaccessible to children and other unauthorized individuals.

4.9 Specific safety instructions – Vibratory plates

4.9.1 External influences

In the case of the following external influences, the vibratory plate may not be operated:

- In an explosive vicinity. Explosion hazard!
- In the vicinity of a naked flame. Fire hazard!



4.9.2 Take work breaks regularly

When operating this machine for long periods of time, vibration-induced circulatory disorders may occur to your fingers, hands or wrists.

Symptoms:

- The aforementioned body parts falling asleep, tingling, pain, sharp pains and changes to skin color.

NOTICE

If these symptoms are determined, seek medical attention immediately.

- If you have a personal disposition to poor blood circulation, your working time may be reduced despite wearing protective gloves and taking regular work breaks.

4.9.3 Operational safety

- When operating the machine, make sure that no gas, water, or electric lines are damaged.
- Pay maximum attention near drops or slopes. Risk of crashing!
- The operator must not leave the machine while it is in operation.
- In trench applications and pits, pay very close attention to the side walls to ensure they are stable and do not collapse from the vibration. Danger of collapse!
- Never leave the machine running unattended. Risk of injury!
- Delimit spacious workspace and restrict access to unauthorized individuals. Risk of injury!
- Machine operators must ensure that people in the working area keep a minimum distance of 2 meters from the running machine.
- When operating the machine on sloped surfaces, always approach slopes from below and always stay above the machine on a slope. The machine could slip or tip over.
- Only use Wacker Neuson rechargeable batteries. These are vibration-proof and therefore suitable for high vibration stresses.

4.9.4 Minimum safety distances

Compaction work near buildings can cause damage to buildings. Therefore, all potential effects and vibrations on surrounding buildings must be checked in advance.

The relevant rules and regulations for measuring, evaluating and reducing vibration emissions - especially the DIN 4150-3 - must be considered.

Wacker Neuson assumes no liability for any damage to buildings.

4.10 General safety instructions – Fuel, lubricants and coolants

The following notes must be observed:

- Always wear safety glasses and protective gloves when handling fuel, lubricants, and coolants. Seek medical attention, for example if you get oil or grease in your eyes.
- Avoid direct skin contact with fuel, lubricants and coolants. Immediately rinse skin with soap and water.
- Do not eat or drink while working with fuel, lubricants and coolants.
- Contaminated oil from dirt or water can lead to premature wear or failure of the machine.
- Dispose of spilled fuel, lubricants and coolants according to the applicable provisions for environmental protection.

If fuel, lubricants and coolants escape from the machine, do not operate the machine any longer and have it repaired immediately by the Wacker Neuson contact partner.

4.11 Maintenance

The following notes must be observed:

- This machine may not be maintained, repaired, adjusted or cleaned while switched on. The rechargeable battery must be removed.
- Adhere to maintenance intervals.
- Observe the maintenance schedule. Non-listed work must be taken over by the service department of the Wacker Neuson contact partner.
- Immediately replace worn or damaged machine parts. Only use spare parts from Wacker Neuson.
- Keep the machine clean.
- Missing, damaged, or illegible safety warning labels should be replaced immediately. Safety stickers contain important information for the protection of the operator.

Maintenance work must be performed in a clean and dry vicinity (e.g. workshop).

4.12 General safety instructions - Rechargeable battery (accessories)

The following notes must be observed:

- To charge the Wacker Neuson rechargeable batteries, only use the battery charger approved by Wacker Neuson.
- Wacker Neuson rechargeable batteries may only be used in the machine specified for this purpose by Wacker Neuson.
- Rechargeable batteries may not be dismantled, opened or deformed.
- The rechargeable batteries may not be exposed to heat or fire. Storage in direct sunlight is to be avoided.



- Rechargeable batteries may not be shorted out.
- Rechargeable batteries may not be stored in a box or draw as this can pose hazards where a mutual short-out can occur or a short-out can occur due to other conductive materials.
- Rechargeable batteries may not be exposed to any mechanical impacts.
- If a rechargeable battery is leaking, the fluid must not come into contact with your skin or eyes. If contact has been made, wash the affected area with plenty of water and seek immediate medical attention.
- The polarity identification of plus and minus on the rechargeable battery and the machine must always be observed. Proper use must be ensured.
- Rechargeable batteries that are not intended for use together with the machine may not be used.
- Keep rechargeable batteries away from children.
- Seek immediate medical attention if rechargeable battery components are accidentally swallowed.
- Keep rechargeable batteries clean and dry. Do not allow them to come into contact with water.
- If the connections of rechargeable batteries become dirty, clean these with a dry and clean cloth.
- Rechargeable batteries must be charged before use. The proper charging process is to be applied in the process. See the chapter Charging and installing rechargeable batteries.
- Do not overcharge the rechargeable batteries. Once the charge cycle is complete, the rechargeable battery is to be disconnected from the battery charger.
- When stored (>1 month), ensure that the charge capacity is between 30-50% if possible.
- Rechargeable batteries have their best power output if they are operated at normal room temperature (about 20°C).
- Rechargeable batteries may only be used in such applications that are intended for them.
- Keep paper clips, coins, keys, nails, screws and other small metal objects that could cause a bridging of the contacts away from rechargeable batteries. Danger of short circuit and fire!
- Rechargeable batteries are to be removed from the machine if possible if they are not being used.
- The rechargeable battery must be removed from the machine before transport.
- Remove the rechargeable battery from the machine when stored for a long time.
- Dispose of properly.

4.13 General safety instructions - Battery charger (accessories)

The following notes must be observed:

- Check the cable and plug before using the battery charger. A damaged battery charger, cable and plug increase the risk of an electric shock.
- Do not use the battery charger if damage has been found. Do not open the battery charger yourself, but rather only have it repaired by qualified technically trained personnel who are using original spare parts.
- Only use the battery charger indoors and keep away from rain and moisture. The penetration of water into the battery charger increases the risk of an electric shock.
- Only charge approved rechargeable batteries from Wacker Neuson.
- The battery charger may not be exposed to heat or fire. Storage in direct sunlight is to be avoided.
- The battery charger may not be exposed to any mechanical impacts.
- Rechargeable batteries that are not intended for use together with the machine may not be used.
- If the connections are dirty, clean these with a dry and clean cloth.
- Once the charge cycle is complete, the rechargeable battery is to be disconnected from the battery charger.
- Do not operate the battery charger on easily flammable surfaces (e.g. paper, textiles) or in flammable environments. Fire hazard!
- Do not operate the battery charger in freezing temperatures and do not place it in direct sunlight.
- The connector plug of the battery charger must fit in the outlet. The plug may not be changed in any way. Do not use any adapters, since these are usually designed without a grounded conductor terminal. In this case, there is an increased risk of electric shock.
- Avoid physical contact with grounded surfaces (tubes, heaters). If the body is grounded, there is an increased risk of electric shock.
- Keep battery charger away from children.
- Always keep the battery charger clean and dry. Dirt accumulation results in the danger of an electric shock.

- Keep the power cable clean and avoid the effects of heat, oil, sharp edges or moving machine parts on the cable. The power cable may not be used for carrying or suspending the machine. Do not pull the cable to pull the plug out of the outlet.
- Dispose of properly.

4.13.1 Electrical safety

- The connector plug of the battery charger must fit in the outlet. The connector plug may not be modified in any way. Do not use the adapter plug together with grounded machines. Unmodified plugs and outlets reduce the risk of an electric shock.
- Avoid physical contact with grounded surfaces. There is a higher risk of electric shock if your body is grounded.
- Keep battery charger away from moisture. Penetrating moisture increases the danger of an electric shock.
- Do not divert the cable from its intended use. Protect cable from heat, oil and sharp objects. Damaged or entangled cables increase the risk of an electric shock.
- When working outdoors, only use cables that are suitable for outdoor use. The use of a cable that is suitable for outdoor use reduces the risk of an electric shock.
- If work in a moist environment cannot be avoided, a fault current protective switch must be used. Fault current protective switches reduce the risk of an electric shock.

4.13.2 Extension cable and cable drum





The following points must be observed in order to minimize the danger of injuries, fire, electric shock and material damage:

- The extension cable and cable drum must be inspected and undamaged.
- Only use extension cables with grounded conductors and a grounded conductor terminal to the plug and coupling.
- Only use inspected extension cables and cable drums that are suitable for construction site use.
- Damaged extension cables and cable drums may not be used and must be replaced immediately.
- Cable drums and multi-pole outlets must have the same requirements as extension cables.
- Protect extension cables, cable drums, multi-pole outlets and connection couplings from moisture.
- The extension cables and cable drums must be completely unrolled before operation.

4.14 Personal Protective Equipment

NOTICE

To prevent personal injury when handling this machine, personal protective equipment must be worn when working on or around this machine.

Pictogram	Significance	Description
	Wear safety shoes!	Safety shoes provide protection from bruises, falling objects, and slipping.
	Wear protective gloves!	Protective gloves provide protection from abrasion, cuts, punctures, and hot surfaces.
	Wear ear protection!	Ear protection provides protection from permanent hearing impairment.
	Wear a protective helmet!	A protective helmet protects against injuries from falling objects.

NOTICE

With this machine, the permissible, country-specific noise limit (personal rating level) may be exceeded.

Therefore, ear protection must be worn. For exact values for noise measurement, see chapter *Technical data*.

Work particularly cautiously and pay attention when wearing ear protection, as your ability to hear noises, such as screams or signal tones, is restricted.

Wacker Neuson recommends always wearing ear protection.

4.15 Behavior in dangerous situations**Preventive measures:**

- Always be prepared for accidents.
- Keep first aid equipment on hand.
- Make sure that all employees are familiar with accident reporting, first aid, and rescue facilities.
- Keep access routes clear for emergency vehicles.
- Make sure that employees receive first aid training.

Measures in the case of an emergency:

- Immediately take the machine out of operation.
- Remove injured and other people from the danger zone.
- Initiate first aid measures.
- Alert rescuers.
- Keep access routes clear for emergency vehicles.
- Inform the person responsible at the site of application.

Measures in the case of a fire:

- Remain clear of resulting vapors and gases. Note the wind direction!
- Only extinguish fire with a fire extinguisher of fire classification ABC (powder extinguisher).

5 Safety and information labels



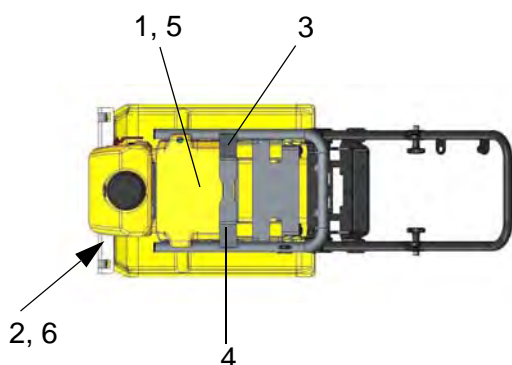
WARNING




Illegible symbols

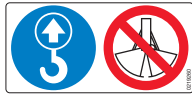


Over time, labels and signs on the machines can become dirty or otherwise unrecognizable.

- Keep all safety, warning, and operating instructions on the machine in a legible condition.
- Replace damaged labels and signs immediately.

The following labels are located on the machine:



Item	Label	Description
1		Use personal protection equipment in order to prevent injuries and health hazards. <ul style="list-style-type: none"> ■ Ear protection. ■ Read operator's manual.
2		Warning against hot surface. Read the operator's manual before commissioning.
3		Guaranteed sound power level.

Item	Label	Description
4		Use personal protection equipment in order to prevent injuries and health hazards. <ul style="list-style-type: none"> ■ Ear protection. ■ Read operator's manual.
5	US Machines 	Warning. From chemicals that cause cancer, birth defects or other reproductive damage.
6	US Machines 	Caution.

6 Setup and function

6.1 Standard package

The standard package includes:

- Vibrating plate.
- Operator's manual.

Other components:

- Rechargeable battery.
- Battery charger.

NOTICE

The rechargeable battery is delivered separately for technical safety reasons.

6.2 Application areas

The vibrating plate is used for compacting soil and is used in gardening and landscaping, civil engineering and road and highway construction.

6.3 Short description

In this machine is a vibrating plate that is operated with a Wacker Neuson rechargeable battery.

The vibrating plate by Wacker Neuson consists fundamentally of a rechargeable battery, converter, exciter, baseplate, guide bracket and water tank.

The rechargeable battery carrier and baseplate are connected to each other through vibration-absorbing rubber metal buffers.

The rechargeable battery with its converter transfers the power via the exciter to the baseplate. This generates a centrifugal force to compact the soil.

The water tank, with its continuously variable sprinkler system prevents cracking and adhesion to the asphalt.

Rechargeable battery

This component is a lithium-ion rechargeable battery. The rechargeable battery has a display with six LEDs, which indicate the charge situation of rechargeable battery as well as service information.

Battery charger

This component is a battery charger for the efficient charging of rechargeable batteries.

The charging process is automatically adjusted to the current charge situation of the rechargeable battery. If the rechargeable battery is fully charged, the battery charger switches to the preservation mode.

6.4 Versions

This operator's manual covers the following models:

Versions	Description
W	Water tank

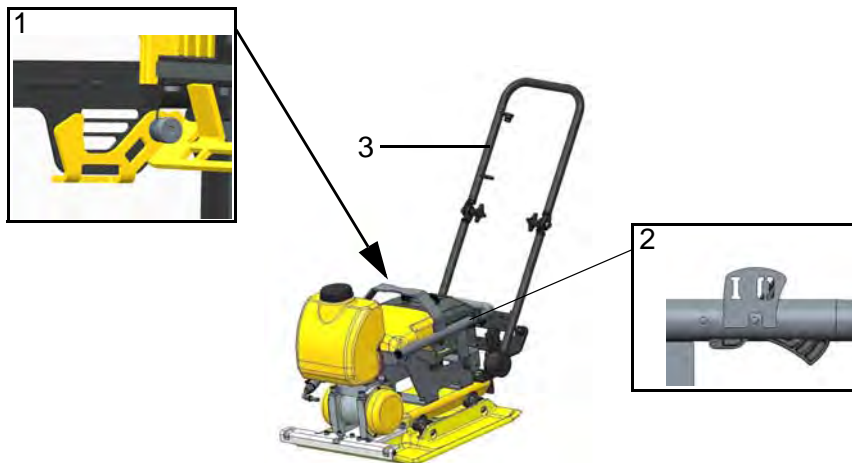
7 Components and operator's controls

7.1 Components



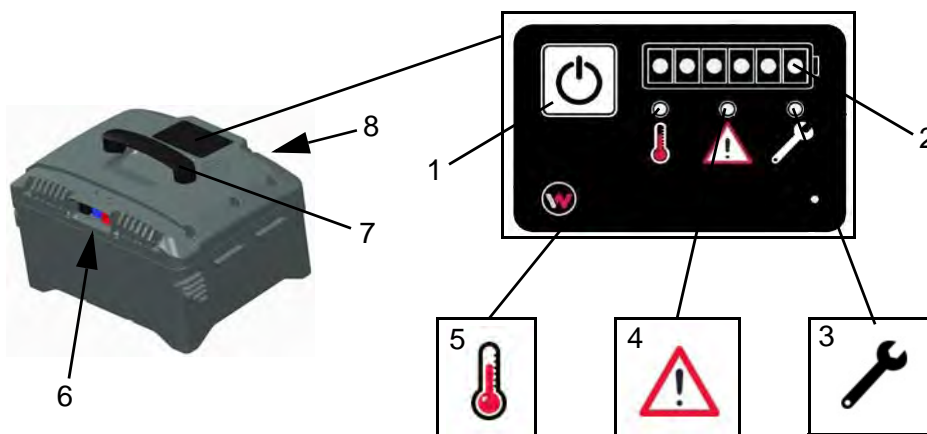
Item	Designation	Item	Designation
1	Rechargeable battery (optional)	5	Exciter
2	Central lifting point	6	Base plate
3	Protective cage	7	Water tank (optional)
4	Rubber-metal buffer	8	Nameplate

7.2 Operator's controls



Item	Designation	Item	Designation
1	Lock	3	Control handle
2	Switching and safety lever		

7.3 Components and operator's controls of the rechargeable battery (optional)



Item	Designation	Item	Designation
1	Start button on/off	5	Temperature display
2	Display – battery charge state	6	Connection
3	Service indicator	7	Handle
4	Fault indication	8	Nameplate

Display - battery charge state

The display uses six LEDs to indicate the charge situation of rechargeable battery.

Service indicator

If the LED illuminates, contact the service department of the Wacker Neuson contact partner.

Temperature display

The LED illuminates if the rechargeable battery has reached a temperature that is too high or too low.

Fault indication

The LED illuminates if there is a fault.

7.4 Components and operator's controls of the battery charger (optional)



Item	Designation	Item	Designation
1	LED charge indicator	4	Power cable of the rechargeable battery
2	LED operating indicator	5	Power cable
3	LED fault indicator	6	Nameplate

8 Transport



WARNING

Improper handling may result in injury or serious material damage.

- Please read and follow all safety instructions in this operator's manual.



WARNING

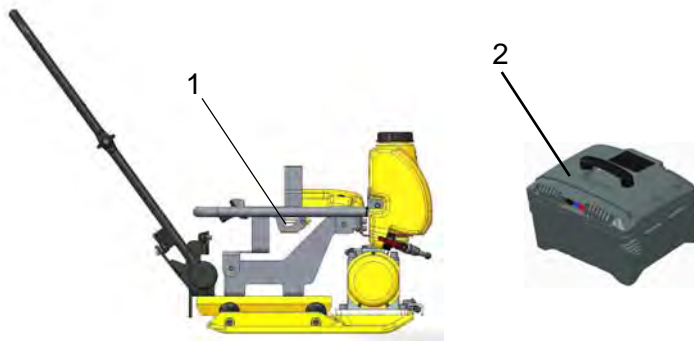
Danger from falling.

Falling machines can cause serious injuries from crushing.

- Only use suitable and tested lifting gear and slings with sufficient lifting capacity.
- Reliably secure the machine to the lifting gear.
- Do not lift the machine with an excavator bucket or forklift.
- Do not lift the machine at the control handle.
- Evacuate danger zone while lifting, do not stop under suspended loads.

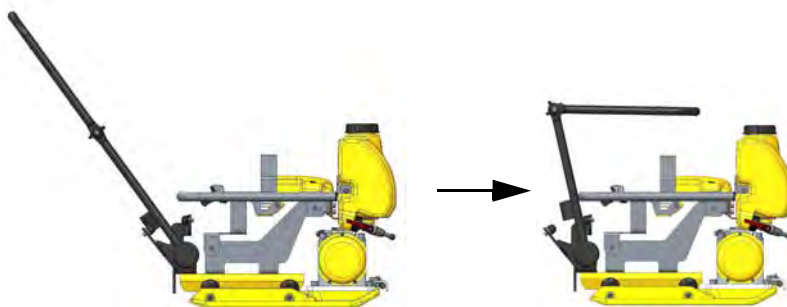
8.1 Loading and transporting the machine

Carry out preparations



Item	Designation	Item	Designation
1	Lock	2	Rechargeable battery

1. The rechargeable battery must be removed before loading and transport.



2. The guide bracket can be folded for transport.

Lifting and lashing down the machine

NOTICE

Appoint a specialist flagman for a safe lifting operation.



Item	Designation	Item	Designation
1	Central lifting point	2	Lashing

1. To lift the motor, hang suitable tackle at the central lifting point.
2. Carefully load machine into or onto a stable means of transport.
3. After loading the machine, lash down the machine to prevent it from rolling off, slipping, or tipping over.

8.2 Packaging and transporting the rechargeable battery

NOTICE

Always read and comply with the transport regulation accompanying the rechargeable battery and the safety instructions in this manual!

The current transport regulations version must be observed, regardless of the transport medium and route.

- The rechargeable battery must be switched off during packaging and transport.

8.3 Transporting the battery charger

Wind up the battery charger cable. Do not bend the cable.

9 Storage

In order to avoid possible damage, the following points must be observed:

- Always store the machine, rechargeable battery and battery charger separately.
- Do not store outdoors.
- Store dry and free of dust.
- Protect from direct sunlight.

9.1 Specific storage - Rechargeable battery

In order to avoid possible damage, the following points must be observed:

- If possible, store at an air humidity of < 80%. Risk of corrosion!
- Store as cool as possible (< 25 °C).
- If possible, store at 30-50% charge situation of battery.
- Store separately from other hazardous substances (minimum distance of 2.5 meters).
- Do not store with metallic objects. Risk of short circuit!
- No fire and open light in the storage area.
- For permitted storage temperatures, see chapter *Technical Data*.

10 Operation and use



WARNING

Improper handling may result in injury or serious material damage.

- Please read and follow all safety instructions in this operator's manual.

10.1 Before commissioning

10.1.1 Inspection before commissioning

- Check the machine and components for damage. In the event of visible damage, do not operate the machine and immediately contact a Wacker Neuson dealer.
- Check the switching and safety lever for smooth and effortless movement.
- Ensure that loose packaging material has been removed from the machine.
- Current regulations of the local authorities for noise emissions.
- Charge situation of rechargeable battery.
- Check the screwed connections for a secure seat.

NOTICE

Perform control procedures according to the *Maintenance* chapter. If necessary, top off missing fuel, lubricants and coolants, see chapter *Technical Data*.

10.1.2 Charge and deploy rechargeable battery

NOTICE

Only use battery chargers and rechargeable batteries from Wacker Neuson.

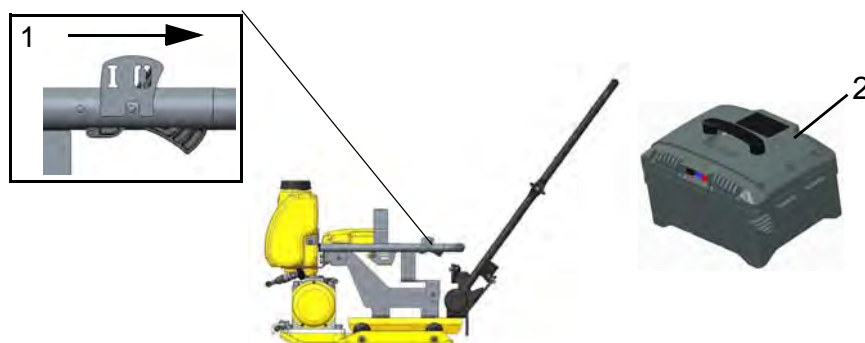
Charge the rechargeable battery

1. Place the battery charger and rechargeable battery on a dry and clean working area.
2. Connect the battery charger to the power source.
3. Then connect the rechargeable battery to the battery charger.
4. Check the charge situation of battery regularly.
5. If the rechargeable battery is completely charged, unplug the rechargeable battery from the battery charger and de-energize the battery charger.

Deploy the rechargeable battery

NOTICE

The electrical contacts and contact surface of the rechargeable battery must be clean and dry.



Item	Designation	Item	Designation
1	Starter lever	2	Rechargeable battery

1. Position the starter lever in the OFF position.

NOTICE

Note the direction of installation when installing the rechargeable battery. The connections must point in the direction of the protective cover.



Item	Designation	Item	Designation
1	Protective cover	2	Lock

2. Lift the rechargeable battery by the handle and carefully insert it into the guide rail provided for this purpose.
3. Insert the rechargeable battery by the handle until you hear a clearly audible snapping into place sound of the lock. Make sure the rechargeable battery is firmly seated.

10.2 Notes about operation



CAUTION

Beware of physical impairments caused by vibration.

- Take breaks periodically.

- In accordance with the intended purpose, the operator should stand behind the machine.
- Guide and steer the machine using the control handle.

Operation on sloped surfaces

- Always stand above the machine within the area of a slope.
- Only approach gradients from below (a gradient that can be easily driven up can also be driven down without any risk).
- Do not stand in the direction of descent of the machine.

Operation in channels

- On pit, cavity, dump and embankment edges, on trench edges and terraces, operate the machine so that there is no danger of tipping or falling over.
- Pay attention to the sidewalls and their stability. Danger of collapse and burying!

Soil properties

- The maximum dumping height depends on several factors of the soil properties, such as moisture, particle-size, etc.

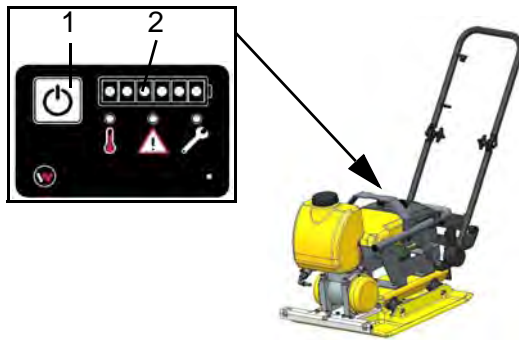
It is therefore not possible to provide an exact specification for this value.

Recommendation: In each case, determine the maximum dumping height through compaction tests and soil samples.

Vibrating sett paving (paving stones)

When compacting interlocking paving stones, Wacker Neuson recommends using of the sliding device in order to avoid damage to the machine and compaction material. See chapter *Accessories*.

10.3 Commissioning

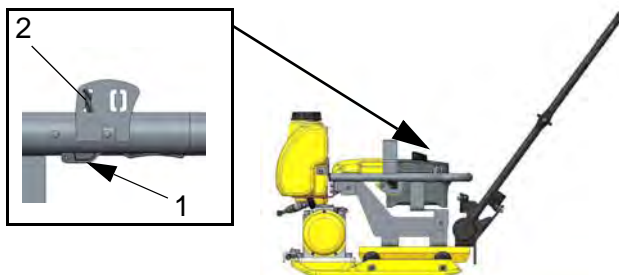


Item	Designation	Item	Designation
1	Start button on/off	2	LED light progress bar

1. Firmly hold the machine by the control handle.
2. Check that the starter lever is in the OFF position.
3. Press the starter button on the rechargeable battery.
4. Pay attention to the light progress bar. The LEDs illuminate alternating and then show the current charge situation of rechargeable battery.

NOTICE

If not started, the rechargeable battery automatically switches off after 30 seconds.



Item	Designation	Item	Designation
1	Safety lever	2	Starter lever

5. With one hand, pull the safety lever and slowly push the starter lever forward.
6. The machine will start and the vibration starts in the forward direction.

10.4 Operation

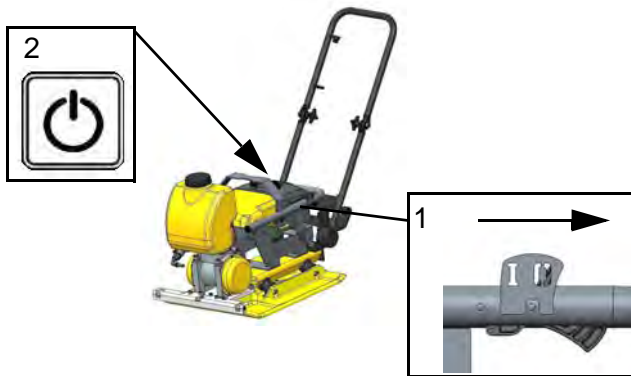
Only guide and steer the machine using the control handle.

10.4.1 Display – battery charge state

Regularly check the charge situation of rechargeable battery during operation.

Number of illuminating LEDs of the rechargeable battery	Significance
1 LED illuminates	Charge situation of battery 0 - 20% - Charge the rechargeable battery.
2 LEDs are illuminated	Charge situation of battery > 20%
3 LEDs are illuminated	Charge situation of battery > 40%
4 LEDs are illuminated	Charge situation of battery > 60%
5 LEDs are illuminated	Charge situation of battery > 80%
6 LEDs are illuminated	Charge situation of battery 100% - Rechargeable battery is completely charged.
all LEDs off	Automatic shutdown after about 30 seconds

10.5 Decommissioning



Item	Designation	Item	Designation
1	Starter lever	2	Start button on/off

1. Slowly pull the starter lever backward until the detent.
2. The safety lever will lock into place with the starter lever and hold this in the OFF position.
3. Wait until the machine has come to a complete standstill.

NOTICE

Park the machine so that it cannot tip over, fall or slip away.

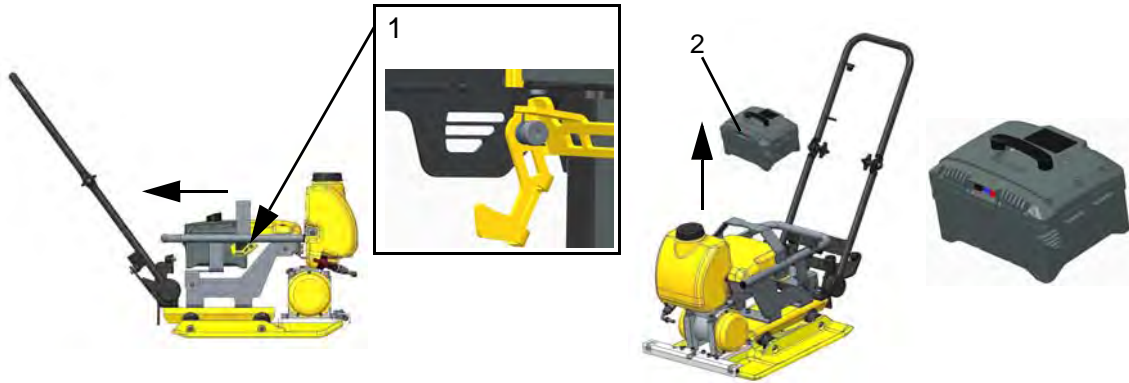
10.6 After operation

**CAUTION**

Hot surfaces

- Wear protective gloves.

10.6.1 Remove the rechargeable battery



Item	Designation	Item	Designation
1	Lock	2	Rechargeable battery

1. Wait until the machine has come to a complete standstill.
2. Check that the starter lever is in the OFF position.
3. Push the lock down.
4. Carefully pull the rechargeable battery by the handle to the rear until the detent.
5. Pull out the rechargeable battery by the handle and put down safely.

11 Maintenance



WARNING

Improper handling may result in injury or serious material damage.

- Please read and follow all safety instructions in this operator's manual.



WARNING

Risk of injury from uncontrolled starting of the machine and moving parts.

- Only perform maintenance work with the machine switched off and battery dismantled.



WARNING

Warning of hot surfaces

The exciter can become extremely hot even after a short time, which can lead to severe skin burns.

- Always allow the engine to cool down completely after use.

11.1 Maintenance table

Maintenance work	daily	150 h
Clean the machine Visual check for completeness. Visual check for damage.	■	
Check the switching and safety lever for smooth and effortless movement and function.	■	
Check to ensure the screwed connections are firmly seated.	■	
Clean the rechargeable battery Visual check for damage.	■	
Clean the battery charger Visual check for damage.	■	
Grease the exciter (cylindrical roller bearings).		■

11.2 Maintenance work

Carry out preparation work:

1. Place the machine on a level surface.
2. Decommissioning the machine.
3. Remove the rechargeable battery.
4. Let the machine cool.

11.2.1 Machine maintenance jobs
Clean the machine

NOTICE

Do not use high-pressure washers!
Penetrating water can damage electrical operator's controls or components of the machine.

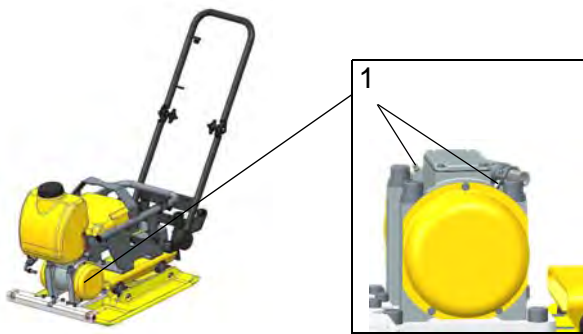
1. After cleaning, check the cable, utility lines and hardware for loose connections, chafe marks and other damage.
2. Immediately eliminate detected deficiencies.

11.2.2 Grease the exciter (cylindrical roller bearings)


WARNING

Excessive grease can conduct electricity
Injury from electric shock.

- Wipe off any excess grease.
-



Item	Designation
1	Screw plug for filler boring

NOTICE

Overgreasing changes the machine's behavior until it fails.

The following points must be observed and maintained:

1. Remove dirt accumulation in the area of the screw plug.
2. Unscrew the screw plug from the filler boring.
3. Place a filled manual grease gun (DIN 1283) on the lubrication point and press once or twice (1.0-2.0 cm³) per lubrication point.
4. Wipe the filler boring area with a clean cloth.
5. Screw the screw plug with seal ring into the filler boring. The torque setting is 3.5 Nm.

11.2.3 Maintenance jobs for the rechargeable battery

Clean the rechargeable battery



WARNING

Risk of fire and explosion when using flammable cleaning agents.

- Do not clean the machine and elements with gasoline or other solvents.
-

NOTICE

Only use dry and clean cloths!

Penetrating moisture can lead to a total failure.

- Check for damage after cleaning.
-

NOTICE

If the rechargeable battery is damaged, contact the service department of the Wacker Neuson contact partner.

11.2.4 Maintenance jobs of the battery charger

Clean the battery charger



WARNING

Risk of fire and explosion when using flammable cleaning agents.

- Do not clean machine, components, or operator's controls with gasoline or other solvents.
-

NOTICE

Only use dry and clean cloths!

Penetrating moisture can lead to a total failure.

1. Check for damage after cleaning.
 2. Check the cable and plug to ensure they are in a flawless condition.
-

NOTICE

If the battery charger is damaged, contact the service department of the Wacker Neuson contact partner.

12 Troubleshooting,






DANGER

Danger to life from unauthorized troubleshooting.

- If faults occur with this machine that are not described in this manual, contact the manufacturer. Do not eliminate the faults independently.

12.1 Fault table - rechargeable battery

Pictogram	LED over Pictogram	Possible causes	Remedial measure
	<ul style="list-style-type: none"> ■ Fault LED comes on. ■ Fault LED stays on. 	<ul style="list-style-type: none"> ■ Voltage too high. ■ Contacting error. ■ Hardware error. 	<ul style="list-style-type: none"> ■ Isolate the rechargeable battery from the machine or the charging unit. ■ Clean and if necessary dry the contacts. ■ Resume operations with the machine and clear the fault with the button. ■ *
	Temperature LED comes on.	Temperature error (over / under temperature).	<ul style="list-style-type: none"> ■ Operate the machine only in the permitted temperature range. ■ Allow the equipment to cool down if necessary. ■ Resume operations with the machine and clear the fault with the button.
	Maintenance LED comes on.	The rechargeable battery was disabled due to a fault.	*

* Contact your Wacker Neuson contact partner.

12.2 Fault table

Fault	Possible causes	Remedial measure
The machine will not operate.	The charge state of the rechargeable battery is too low.	Charge the rechargeable battery.
	The rechargeable battery is not properly installed in the machine.	Install the rechargeable battery properly in the machine.
	The rechargeable battery is defective.	*
	The starter lever is in the forward position when ON switch on the rechargeable battery was actuated.	Put the starter lever in the OFF position.
The machine is displaying unexpected faults during commissioning or operation.	Refer to the rechargeable battery faults table.	Press the ON/OFF start button and remove the rechargeable battery if the fault persists *

Fault	Possible causes	Remedial measure
The machine switches itself off.	The charge state of the rechargeable battery is too low.	Charge the rechargeable battery.
	The machine was overloaded.	Switch the machine on again.
	Excess temperature of the converter.	Let the machine cool.
	Under temperature machine	Only operate the machine in the permissible temperature range, see chapter <i>Technical Data</i> .
* Contact your Wacker Neuson contact partner.		

13 Disposal

13.1 Disposal of batteries

The machine contains one or more batteries or rechargeable batteries (hereinafter referred to as "the battery"). Proper disposal of the battery prevents negative effects on individuals and the environment, follows the specific treatment of pollutants, and ensures the recycling of useful raw materials.

For customers in EU countries

This battery is subject to the European Directive on (old) batteries and (old) rechargeable batteries, and the respective national laws. The battery directive outlines the framework for an EU-wide treatment of batteries.



The battery is marked with the following symbol of a crossed-out garbage bin. Below this symbol, there is also the name of the pollutants contained therein, i.e. "Pb" for lead, "Cd" for cadmium, and "Hg" for mercury.

Batteries may not be disposed of with normal household waste! As an end-user, you may only dispose of used batteries via the manufacturer or specially equipped collection facilities (statutory obligation to return); the delivery is free. Retailers and manufacturers are obliged to take back these batteries and properly recycle them or dispose of them as hazardous waste (legal obligation).

Batteries obtained through Wacker Neuson can be returned to Wacker Neuson free of charge after use. If the batteries cannot be personally returned to a Wacker Neuson branch, there are instructions in the sales contract or in the Terms and Conditions of the location where they were purchased.

For customers in other countries

Wacker Neuson recommends that you do not dispose of the battery in normal household waste but rather in a separate, environmentally friendly collection facility. National laws may also have provisions for the separate disposal of batteries. Disposal of the battery in accordance with current national guidelines must be assured.

14 Disposal

14.1 Disposal of old electrical and electronic equipment

Professional disposal of this machine avoids negative effects on human health and the environment, helps with the targeted treatment of pollutants and makes it possible to recycle valuable raw materials.

For customers in EU countries

This machine is subject to the European directive for old electrical and electronic equipment (Waste Electrical and Electronic Equipment (WEEE)), as well as the corresponding national laws. The WEEE directive provides the framework for an EU-wide treatment of old electrical equipment.



The machine is marked with the following symbol of a crossed-out garbage bin. This means that you do not dispose of the battery in normal household waste but that it must be disposed of in a separate, environmentally friendly collection facility.

This unit is provided as a professional electrical tool exclusively for commercial use (a so-called B2B device according to the WEEE directive). Unlike equipment mostly used in private households (so-called B2C devices), this machine may therefore not be disposed of in some EU countries, such as in Germany, at the collection points of public waste management organizations (e.g. municipal collection stations). If there are any doubts, information regarding the different methods of disposal for B2B electronic devices for each country can be obtained from the sales location, so that the disposal takes place in accordance with the valid statutory provisions. There are also some notes to follow in the sales contract or in the general Terms and Conditions of the sales location.

For customers in other countries

It is recommended that you do not dispose of the machine in normal household waste but rather in a separate, environmentally friendly collection facility. National laws also may, under certain circumstances, prescribe the separate disposal of electrical and electronic products. Correct disposal of this machine in accordance with current national guidelines must be assured.

15 Accessories



CAUTION

Accessories and spare parts that do not originate from Wacker Neuson can increase the risk of injury and possible damage to the machine.

- The use of other accessories and spare parts that do not originate from Wacker Neuson shall cancel any liability.
-

A wide range of accessories is offered for the machine.

More information about the individual accessories can be found online at www.wackerneuson.com.

Water tank

For the processing of asphalt, it is recommended to retrofit the vibratory plate with a water tank with an efficient sprinkler system. The variably adjustable sprinkler system prevents cracking and adhesion to the asphalt.

Sliding mechanism

Sliding mechanisms offer optimal protection against damage to the sett paving (paving stone) surface, which is especially required for surface-coated types of paving.

Transport device

A transport device is offered for easier transport on the job site.

16 Technical data

NOTICE

The given total vibration value and the given noise emission value can also be used for an interim estimate of the loading. The result of this is to determine further safety measures to protect the operator during the actual conditions of use.

16.1 Noise and vibration information

The noise and vibration information listed was determined according to the following guidelines with the machine-typical operating states / specific test conditions while applying harmonized standards:

- Machines directive 2006/42/EC
- Noise emissions directive 2000/14/EC

In operational application, deviating values may result depending on the prevailing operating conditions.

16.1.1 Noise information

Sound pressure level at the operator's location

- The LWA was determined pursuant to EN ISO 11201 and EN 500-4.

Guaranteed sound power level

- The LWA was determined pursuant to EN ISO 3744 and EN 500-4.

16.1.2 Hand-arm vibration (HAV) information

Weighted total vibration value

- The HAV was determined pursuant to EN ISO 20643 and EN 500-4.



16.2 Vibrating plate

Designation	Unit	AP1840we	AP1840e	AP1850we	AP1850e
Item number		5100042938	5100042939	5100038311	5100038319
Rated current	A	21,5			
Rated voltage	V	51			
Electrical load rating	kW	1,2			
Kind of current (output)		direct current			
Centrifugal force	kN	18			
Oscillations	Hz	98			
	rpm	5.880			
Compaction performance*	m ² /h	648		810	
Travel speed	m/min	27			
Gradeability	%	46,6			
Length (in working position)	mm	1.230			
Width	mm	400		500	
Height	mm	579	482	579	482
Vertical clearance	mm	579	482	579	482
Weight	kg	88	83	92	87
Operating weight	kg	103	93	107	97
Recommended rechargeable battery type		BP1000			
Battery runtime BP1000	min	60			
Storage temperature range	°C	-30 – +50			
Operating temperature range	°C	0 – +45			
Sound pressure level L _{pA}	dB(A)	92			
Sound power level L _{WA} measured guaranteed	dB(A)	104			
	dB(A)	105			
Vibration total value a _{hv}	m/s ²	3,2		4	
Uncertainty of measurement of the vibration total value a _{hv}	m/s ²	0,5			
* Depending on the soil properties.					

16.3 Rechargeable battery

Designation		BP1000
Item number		5100025709
Rated voltage	V	51
Kind of current (output)		DC
Length	mm	220
Width	mm	290
Height	mm	197
Weight	kg	9.4
Battery product identification		14INR19/65/-8
Battery type		Lithium ion
Energy content	Wh	1,008
Capacity	Ah	20
Max. discharge current	A	160
Max. charging current	A	32
Protection rating		IP2X
Storage temperature range	°C	-30 – +50
Operating temperature range when charging	°C	0 – +45

16.4 Battery charger

Designation		C48/4
Item number		5100006221
Rated voltage	V	230 (90 – 265)
Kind of current (input)		AC 1~
Rated current	A	<3
Rated frequency	Hz	50 – 60
Kind of current (output)		DC +/-
Output current	A	4 +/-0.5
Max. output voltage	V	57.6
Length	mm	190
Width	mm	145
Height	mm	65
Weight	kg	2.0
Power cable	mm	1500
Power cable	mm	1800
Class rating		II.
Protection rating		IP54
Storage temperature range	°C	-30 - +50
Operating temperature range	°C	0 - +45

16.4.1 Extension cable

**WARNING****Warning of electrical voltage!**

Serious injury due to electric shock.

- Check power cable and extension cable for damage.
- Only use extension cables whose grounded conductor is connected to the plug and coupling - only for machines of class rating I + III, see chapter *Technical data*.

The following points must be observed:

- Only use approved extension cables.
- Data about the model designation and voltage of this machine is located on the nameplate.
- The necessary stranded conductor cross-section can be found in the following table.

Machine type	Voltage [V]	Extension [m]	Stranded conductor cross-section [mm ²]
C48/4	230	<150	1.5
C48/13	230	<150	1.5

17 Glossary

Class rating

The class rating according to DIN EN 61140 identifies electrical machines in terms of safety measures for the prevention of an electric shock. There are four class ratings:

Class rating	Significance
0	No special protection, other than the basic insulation. No grounded conductor. Plug connection without a grounded conductor contact.
I	Connection of all conductive housing components to the grounded conductor. Plug connection with a grounded conductor contact.
II	Reinforced or double insulation (protective insulation). No connection to the grounded conductor. Plug connection without a grounded conductor contact.
III	Machines are operated with a protective low voltage (<50 V). Connection to the grounded conductor is not necessary. Plug connection without a grounded conductor contact.

Protection rating IP

The protection rating DIN EN 60529 indicates the suitability of electrical machines for certain environmental conditions and also the protection against hazards.

The protection rating is specified with an IP code according to DIN EN 60529.

Code	Significance of 1st digit: Protection against contact with hazardous parts. Protection against ingress of foreign bodies.
0	Not protected against contact. Not protected against foreign bodies.
1	Protected against contact with the back of the hand. Protected against large foreign bodies with a diameter of > 50 mm.
2	Protected against contact with a finger. Protected against medium foreign bodies (diameter > 12.5 mm).
3	Protected against contact with a tool (diameter > 2.5 mm). Protected against small foreign bodies (diameter of > 2.5 mm).
4	Protected against contact with a wire (diameter > 1 mm). Protected against particle shape foreign bodies (diameter > 1 mm).
5	Protected against contact. Protected against dust deposits inside.
6	Completely protected against contact. Protected against dust ingress.

Code	Significance of 2nd digit: Protection against ingress of water
0	Not protected against water penetration.
1	Protected against vertically falling drip water.
2	Protected against angled falling drip water (15° inclination).
3	Protected against spray water (60° inclination).
4	Protected against splash water from all directions.
5	Protected against water jets (nozzle) from any angle.
6	Protected against powerful water jets (flooding).
7	Protected against temporary submersion in water.
8	Protected against continuous submersion in water.



EC Declaration of Conformity

Manufacturer

Wacker Neuson Produktion GmbH & Co. KG, Wackerstraße 6, D-85084 Reichertshofen
This declaration of conformity is issued under the sole responsibility of the manufacturer.

Product	AP1840, AP1850
Product type	Vibratory plate
Function of product	Soil compaction
Item number	5100042938, 5100042939, 5100038311, 5100038319
Net installed power	1,2 kW
Measured sound power level	104 db(A)
Guaranteed sound power level	105 db(A)

Conformity assessment procedure

2000/14/EC, Annex VIII

Notified body

TÜV Rheinland LGA Products GmbH, Tillystr. 2, D-90431 Nürnberg (NB 0197)

Guidelines and standards

We hereby declare that this product complies with the relevant provisions and requirements of the following directives and standards:

2006/42/EC, 2000/14/EC, 2014/30/EU, EN 500-1:2006 +A1:2009, EN 500-4:2011, EN 13309:2010

Person responsible for technical documents

Wacker Neuson Produktion GmbH & Co. KG, Wackerstraße 6, D-85084 Reichertshofen

Reichertshofen, 01.09.2018

Helmut Bauer
Managing Director



EC Declaration of Conformity

Manufacturer

Wacker Neuson Produktion GmbH & Co. KG, Wackerstraße 6, D-85084 Reichertshofen
This declaration of conformity is issued under the sole responsibility of the manufacturer.

Product	C48/4
Product type	Battery Charger
Function of product	Charging the battery
Item number	5100006221

Guidelines and standards

We hereby declare that this product complies with the relevant provisions and requirements of the following directives and standards:

2014/35/EU, 2014/30/EU, EN 55014-1:2006 +A1:2009 +A2:2011, EN 55014-2:2015, EN 60335-1:2012 +A11:2014 +AC:2014 +A13:2017, EN 60335-2-29:2004 +A2:2010

Person responsible for technical documents

Wacker Neuson Produktion GmbH & Co. KG, Wackerstraße 6, D-85084 Reichertshofen

Reichertshofen, 01.08.2018

Helmut Bauer
Managing Director

