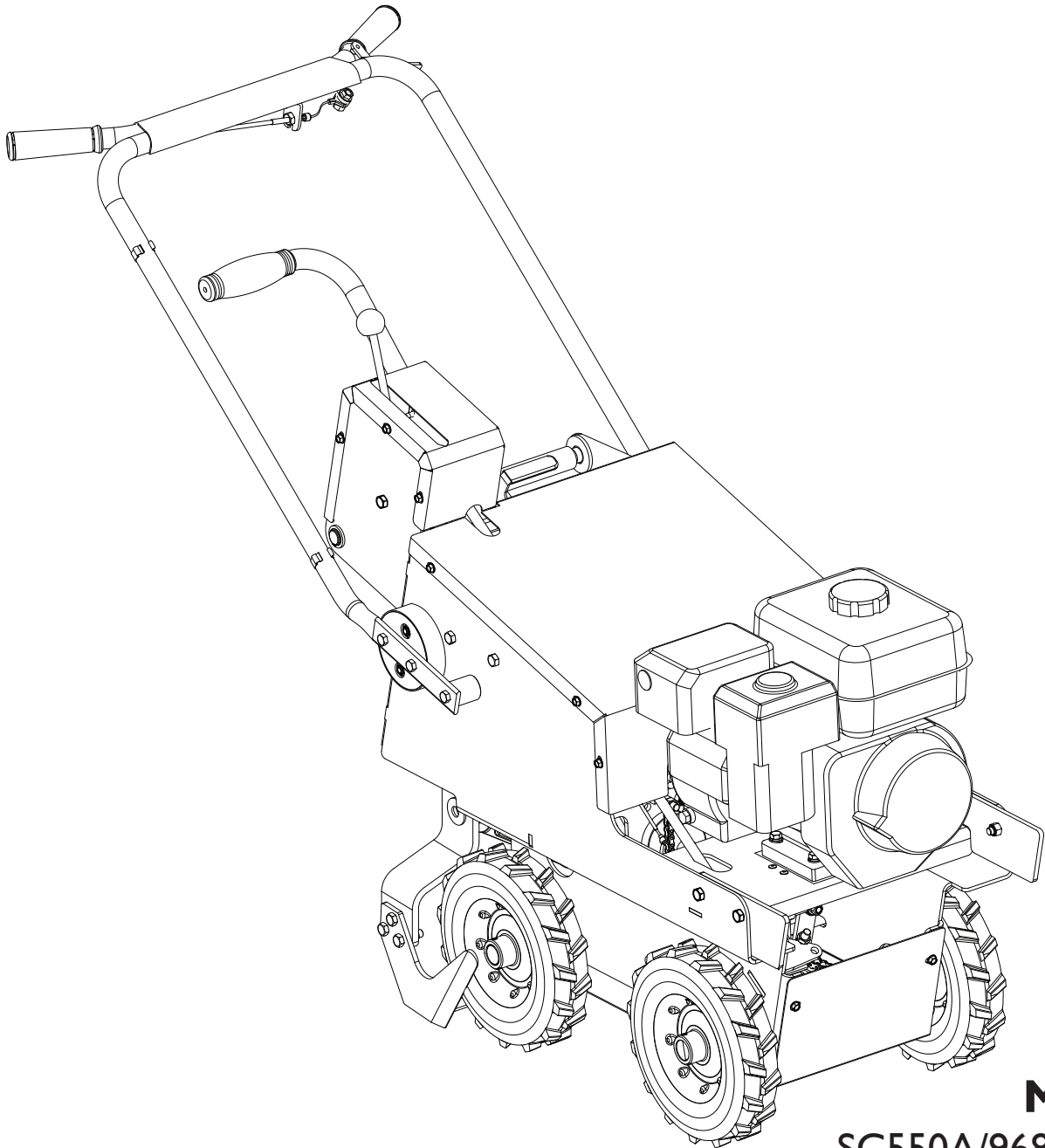




BLUEBIRD

Parts Manual



Models
SC550A/96899935 I

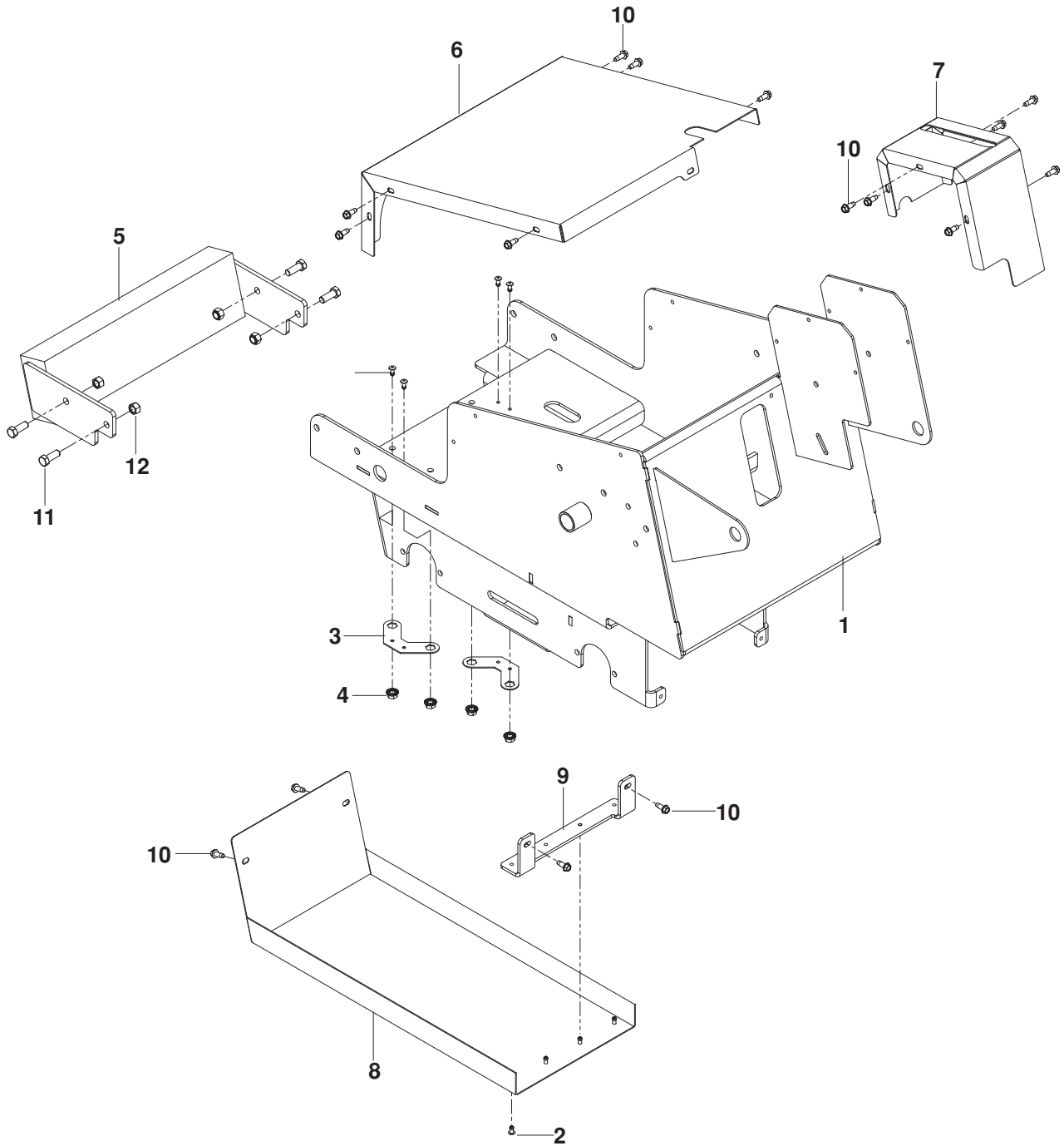
Please read the operator's manual carefully and make sure you understand the instructions before using the machine.

CONTENTS

FRAME.....	4	GEARS.....	14
HANDLE	6	TRUNNION.....	16
DRIVE	8	AXLE.....	18
BLADE DRIVE.....	10	DECALS.....	20
DEPTH CONTROL.....	12		

NOTE: ALL FASTENERS ARE GRADE 5 UNLESS OTHERWISE SPECIFIED.

FRAME



FRAME

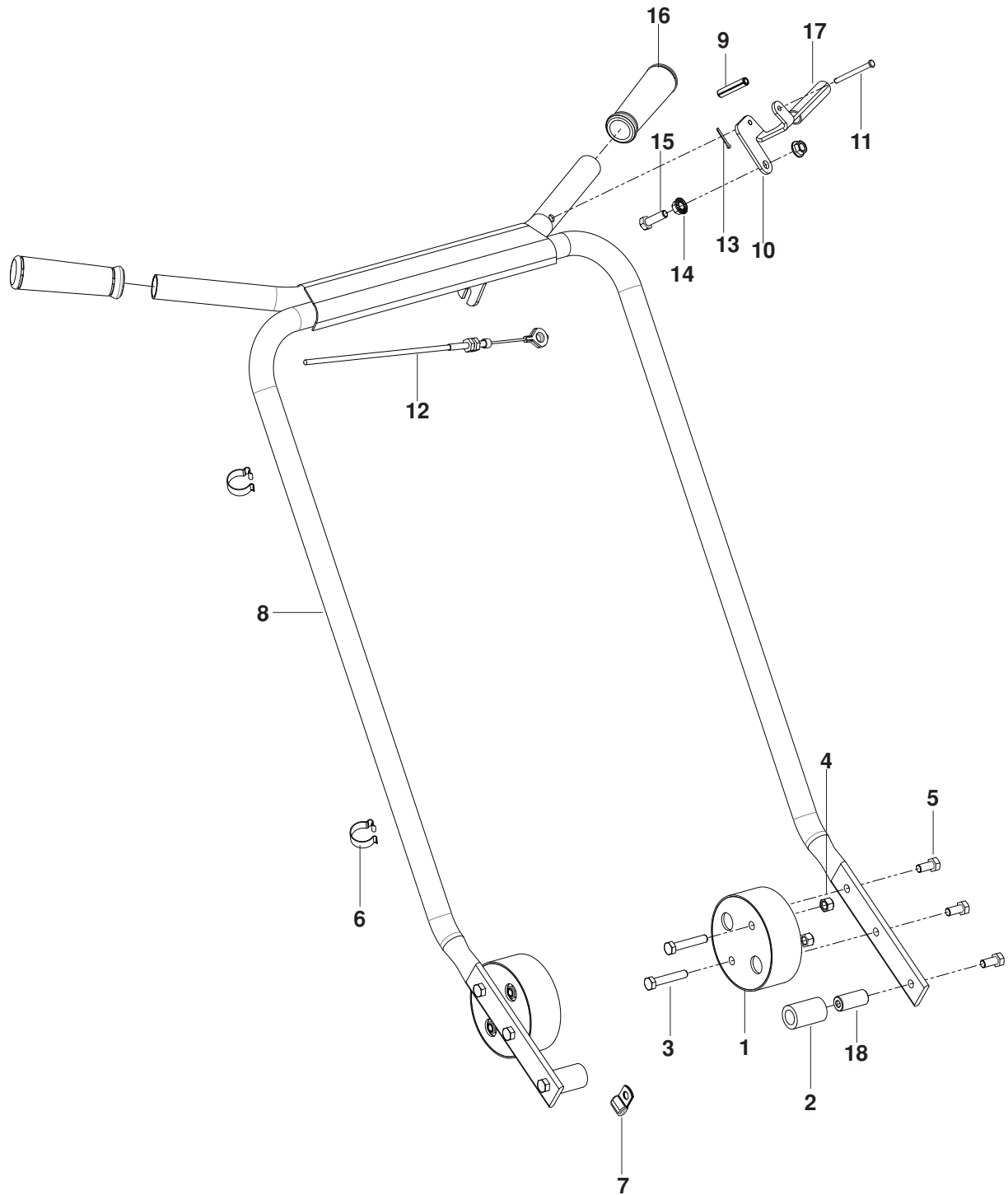
ITEM	PART NO.	QTY.	DESCRIPTION
1..	576228001.....	1	...CHASSIS
3..	539112861.....	2	...NUT PLATE
4..	539112899.....	4	...NUT ⁵ / ₁₆ -18 FLG NYLOC
5..	539112836.....	1	...FRONT WEIGHT
6.	576227801.....	1	...COVER, TOP
7	..576228301.....	1	...COVER, SHIFT

ITEM	PART NO.	QTY.	DESCRIPTION
8..	576227901.....	1	...BELLY PAN
9..	576228201.....	1	...END BRACKET
10..	539990362...	17	...SCREW 1/4-20 x 5/8 SELF TAP
11..	539990563.....	4	...HCS 3/8-16 x 1
12..	539976979.....	4	...NUT 3/8-16 HEX NYLOC

NOT SHOWN

505155501 1 SWITCH TOGGLE
GROUNDING

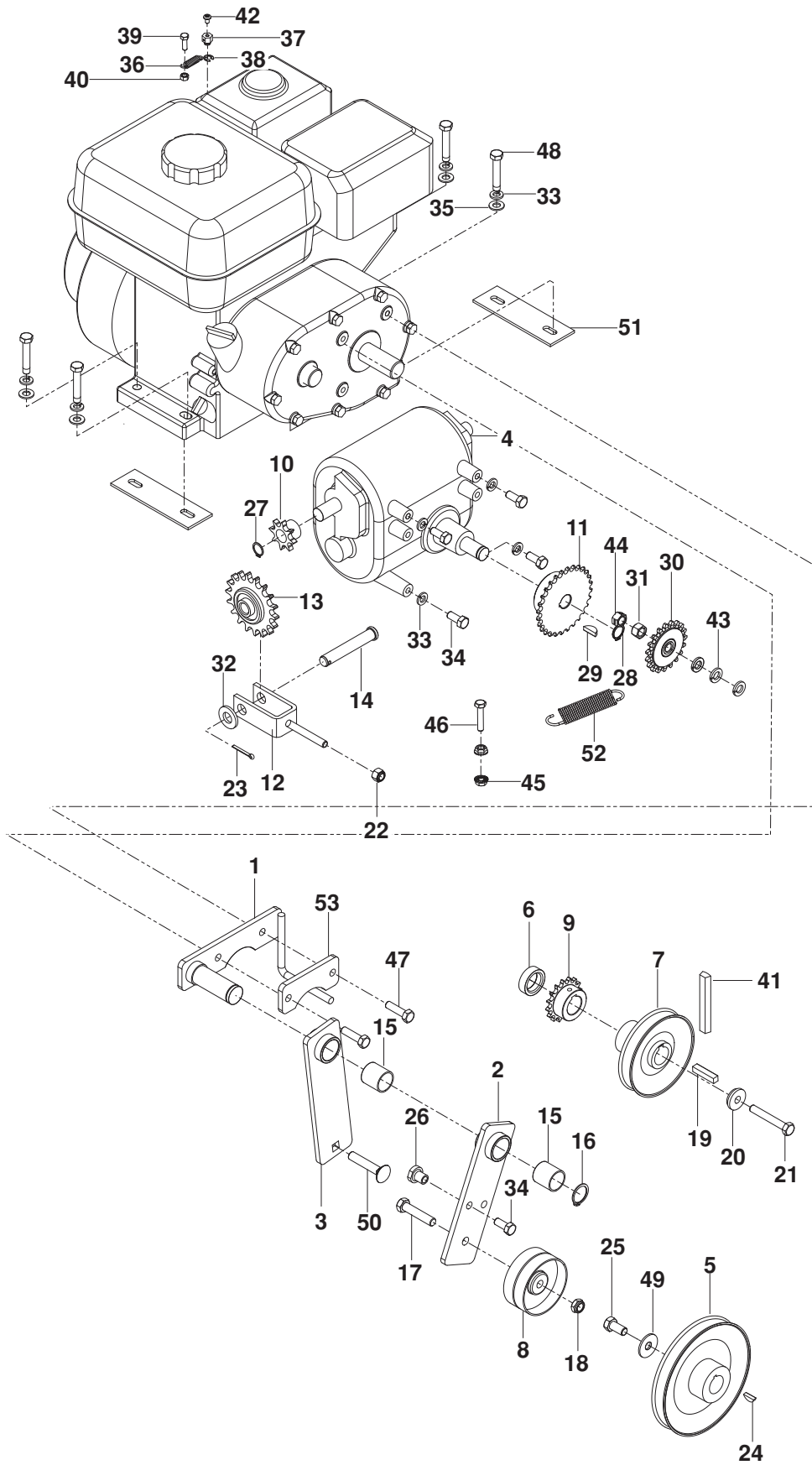
HANDLE



HANDLE

ITEM	PART NO.	QTY.	DESCRIPTION	ITEM	PART NO.	QTY.	DESCRIPTION
1..	539030452.....	2..	MOUNT	10..	539113220.....	1	LEVER, THROTTLE, BLK
2..	539030468.....	2	BUSHING, POLYURETHANE	11..	539113223.....	1	PIN CLEVIS
3..	539990669.....	4	HCS $\frac{5}{16}$ -18 x $1\frac{3}{4}$	12..	539113221.....	1	CABLE, PULL
4..	539990717.....	4	NUT $\frac{5}{16}$ -18 HEX NYLOC	13..	539990037.....	1	PIN COTTER $\frac{3}{32}$ x $\frac{3}{4}$
5..	539108519.....	6	HCS M8-1.25 x 22, GR 8.8	14..	539990585.....	2	NUT $\frac{5}{16}$ -18 WHIZLK
6..	539112870.....	2	CLIP, CABLE	15..	539990209.....	1	HCS $\frac{5}{16}$ -18 x 1
7..	539109867.....	1	TUBE CLAMP, DOUBLE	16..	539000090.....	2	GRIP, HANDLE
8..	576228101.....	1	HANDLE	17..	539101050.....	1	GRIP, VINYL
9..	539113222.....	1	ROLL PIN $\frac{5}{16}$ DIA x $1\frac{1}{2}$	18..	539113454.....	2	STAND OFF

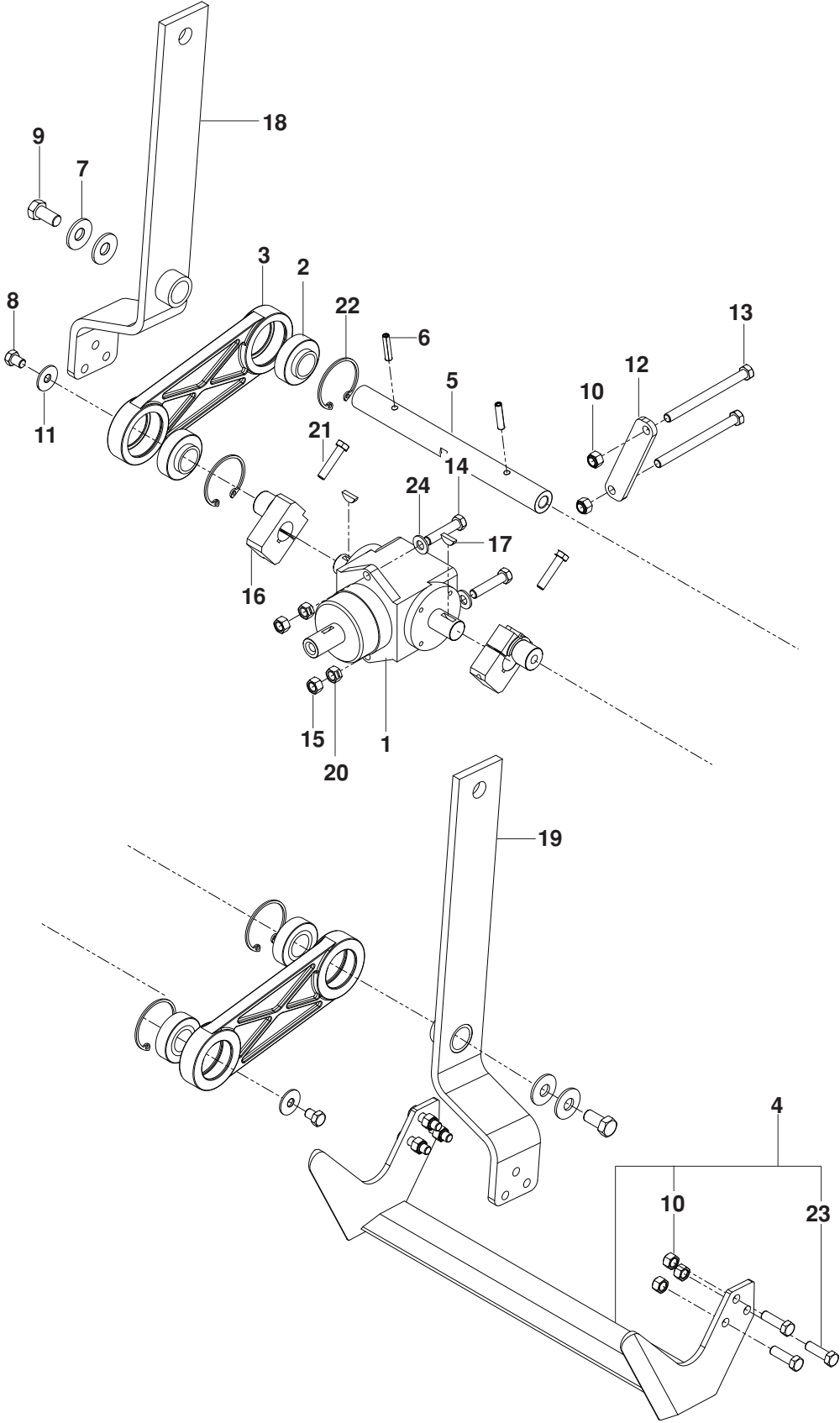
DRIVE



DRIVE

ITEM	PART NO.	QTY.	DESCRIPTION	ITEM	PART NO.	QTY.	DESCRIPTION
1..	539112855.....	1	... IDLER,PIVOT	29..	539910211.....	1	... KEY, WOODRUFF #9
2..	539112869.....	1	... IDLER,ARM,BELT	30..	539112833.....	1	... SPROCKET, TENSIONER 35
3..	539112868.....	1	... ARM, IDLER, CHAIN	31..	539976979.....	1	... NUT 3/8-16 NYLOC
4..	539112854.....	1	... TRANSMISSION, 4 SPEED	32..	539990250.....	1	... WASHER 1/2 SAE
5..	539112463.....	1	... PULLEY, 5.25 A	33..	539990187.....	8	... WASHER 5/16 SLW
6..	539112825.....	1	... SPACER, PTO SHAFT	34..	539976934.....	5	... HCS 5/16-18 x 3/4
7..	539112464.....	1	... PULLEY, 3.75 A	35..	539990188.....	4	... WASHER 5/16 SAE
8..	539000343.....	1	... PULLEY IDLER	36..	539030445.....	1	... SPRING, THROTTLE
9..	539030440.....	1	... SPROCKET, ENGINE	37..	539030449.....	1	... CLAMP, THROTTLE CABLE
10..	539030456.....	1	... SPROCKET #40 CHAIN	38..	539030451.....	1	... E-RING CLIP, THROTTLE
11..	539030429.....	1	... SPROCKET,TRANS	39..	539108520.....	1	... HCS M5-0.8 x 16 GR 8.8
12..	539003133.....	1	... CHAIN TENSIONER	40..	539109154.....	1	... NUT 5mm-8
13..	539030430.....	1	... SPROCKET	41..	539030439.....	1	... V-BELT
14..	539109216.....	1	... PIN CLEVIS 1/2 x 3	42..	539108583.....	1	... SCREW #8-32 x 1/4
15..	539108619.....	2	... BUSHING	43..	539990118.....	3	... WASHER 3/8 SPLT LOCK
16..	539101151.....	1	... RETAINING RING	44..	539990546.....	1	... NUT 3/8-16 CNTRLK
17..	539990730.....	1	... HCS 3/8-18 x 1 3/4	45..	539108735.....	2	... NUT 1/4-20 FLANGE LK
18..	539200282.....	1	... NUT 3/8-16 HAM NYLOC	46..	539100266.....	1	... HCS 1/4-20 x 1 1/4
19..	539109159.....	1	... KEY 7mm SQ x 33mm	47..	539100567.....	2	... HCS M8-1.25 x 30 GR 8.8
20..	539112826.....	1	... WASHER, STEPPED	48..	539990669.....	4	... HCS 5/16-18 x 1 3/4
21..	539112859.....	1	... HCS M8-1.25 x 55 GR 8.8	49..	539112483.....	1	... WASHER 3/8 SPRING
22..	539990717.....	1	... NUT 5/16-18 NYLOC	50..	539100145.....	1	... RHSNB 3/8-16 x 2
23..	539109246.....	1	... PIN COTTER 1/8 x 1	51..	539007203.....	2	... PLATE, ENGINE
24..	539910008.....	1	... KEY WOODRUFF #6	52..	539010195.....	1	... SPRING
25..	539977748.....	1	... HCS 3/8-24 x 3/4	53..	539113180.....	1	... KEEPER, CHAIN
26..	539113455.....	1	... SPRING ANCHOR				NOT SHOWN
27..	539109984.....	1	... RING 9/16 RETAINING, EXT		539030443	1	... CHAIN, TRANSMISSION #35
28..	539101971.....	1	... RETAINING RING		539112875	1	... CHAIN, WHEELS #40

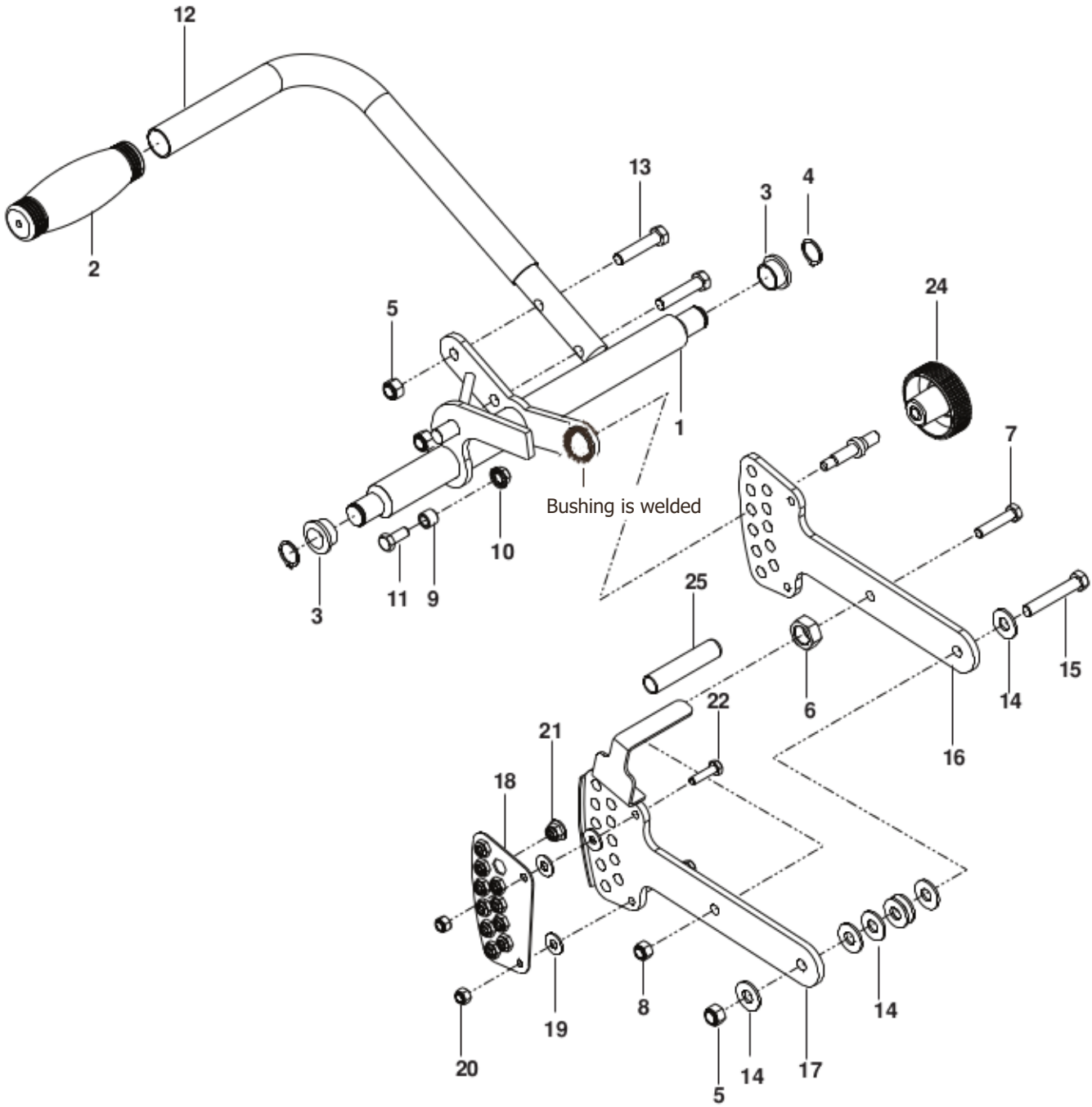
BLADE DRIVE



BLADE DRIVE

ITEM	PART NO.	QTY.	DESCRIPTION	ITEM	PART NO.	QTY.	DESCRIPTION
1..	539030455.....	1	... GEAR BOX	13..	539990591.....	2	... HCS $\frac{3}{8}$ -16 x 4 $\frac{1}{2}$
2..	539102677.....	4	... BEARING	14..	539977670.....	2	... HCS $\frac{3}{8}$ -24 x 1 $\frac{3}{4}$ GR 8
3..	539112465.....	2	... LINK, CONNECTING	15..	539990155.....	2	... NUT $\frac{3}{8}$ -24 GR2
4..	539113449.....	1	... BLADE KIT, 18"	16..	539112872.....	2	... ECCENTRIC
5..	539112471.....	1	... SHAFT, BLADE ARM	17..	539910211.....	2	... KEY, WOODRUFF #9
6..	539112879.....	2	... SPRIAL PIN $\frac{1}{4}$ x 1 $\frac{1}{4}$	18..	539112873.....	1	... BLADE ARM, RH
7..	539112484.....	4	... SPRING WASHER $\frac{1}{2}$	19..	539112874.....	1	... BLADE ARM, LH
8..	539106776.....	2	... HCS $\frac{3}{8}$ -16 x $\frac{1}{2}$	20..	539990289.....	2	... NUT $\frac{3}{8}$ -24 CTR LK
9..	539990646.....	2	... HCS $\frac{1}{2}$ -13 x 1	21..	539976935.....	2	... HCS $\frac{5}{16}$ -18 x 1 $\frac{1}{2}$
10..	539976979.....	8	... NUT $\frac{3}{8}$ -16 NYLOC	22..	539112482.....	4	... SNAP RING 52mm
11..	539112483.....	2	... SPRING WASHER $\frac{3}{8}$	23..	539130628.....	6	... HCS $\frac{3}{8}$ -16 x 1 $\frac{1}{4}$ GR 8
12..	539112850.....	1	... STRAP, T BOX	24..	539990122.....	2	... WASHER $\frac{3}{8}$ SAE

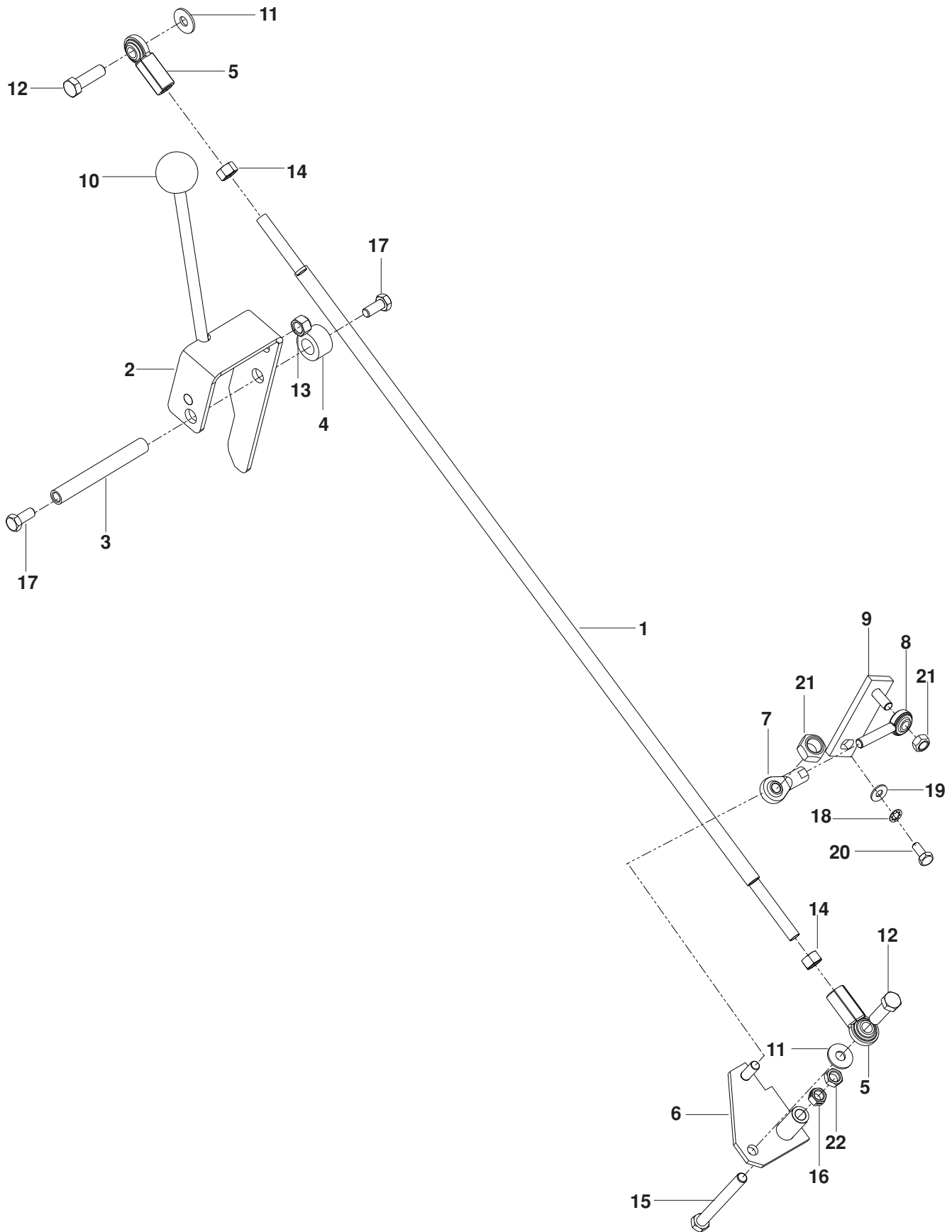
DEPTH CONTROL



DEPTH CONTROL

ITEM	PART NO.	QTY.	DESCRIPTION	ITEM	PART NO.	QTY.	DESCRIPTION
1..	505162702.....	1	... SHAFT	14..	539990517.....	7	... WASHER $\frac{3}{8}$
2..	539000090.....	1	... GRIP, HANDLE	15..	539990629.....	1	... HCS $\frac{3}{8}$ -16 x $2\frac{1}{4}$
3..	539112895.....	2	... BEARING, FLANGE	16..	539112894.....	1	... ADJUSTER
4..	539112496.....	2	... SNAP RING $\frac{3}{4}$	17..	539113244.....	1	... ADJUSTER, RH
5..	539976979.....	3	... NUT $\frac{3}{8}$ -16 NYLOC	18..	539113176.....	1	... PLATE-ADJUSTER NUT
6..	539976980.....	1	... NUT $\frac{5}{8}$ -18	19..	539990598.....	2	... WASHER $\frac{1}{4}$
7..	539976935.....	1	... HCS $\frac{5}{16}$ -18 x $1\frac{1}{2}$	20..	539976978.....	2	... NUT $\frac{1}{4}$ -20 NYLOC
8..	539990717.....	1	... NUT $\frac{5}{16}$ NYLOC	21..	539112899...	11	... NUT $\frac{5}{16}$ -18 FLANGE NYLOC
9..	539102827.....	1	... SPACER, PULLEY	22..	539990548.....	2	... HCS $\frac{1}{4}$ -20 x 1
10..	539990585.....	1	... NUT $\frac{5}{16}$ WHIZLK				
11..	539976934.....	1	... HCS $\frac{5}{16}$ -18 x $\frac{3}{4}$	24.	522031901.....	1	... KNOB W HIH TENSILE STUD
12..	539112843.....	1	... HANDLE	25..	539101050.....	1	... GRIP, VINYL
13..	539990730.....	2	... HCS $\frac{3}{8}$ -16 x $1\frac{3}{4}$				

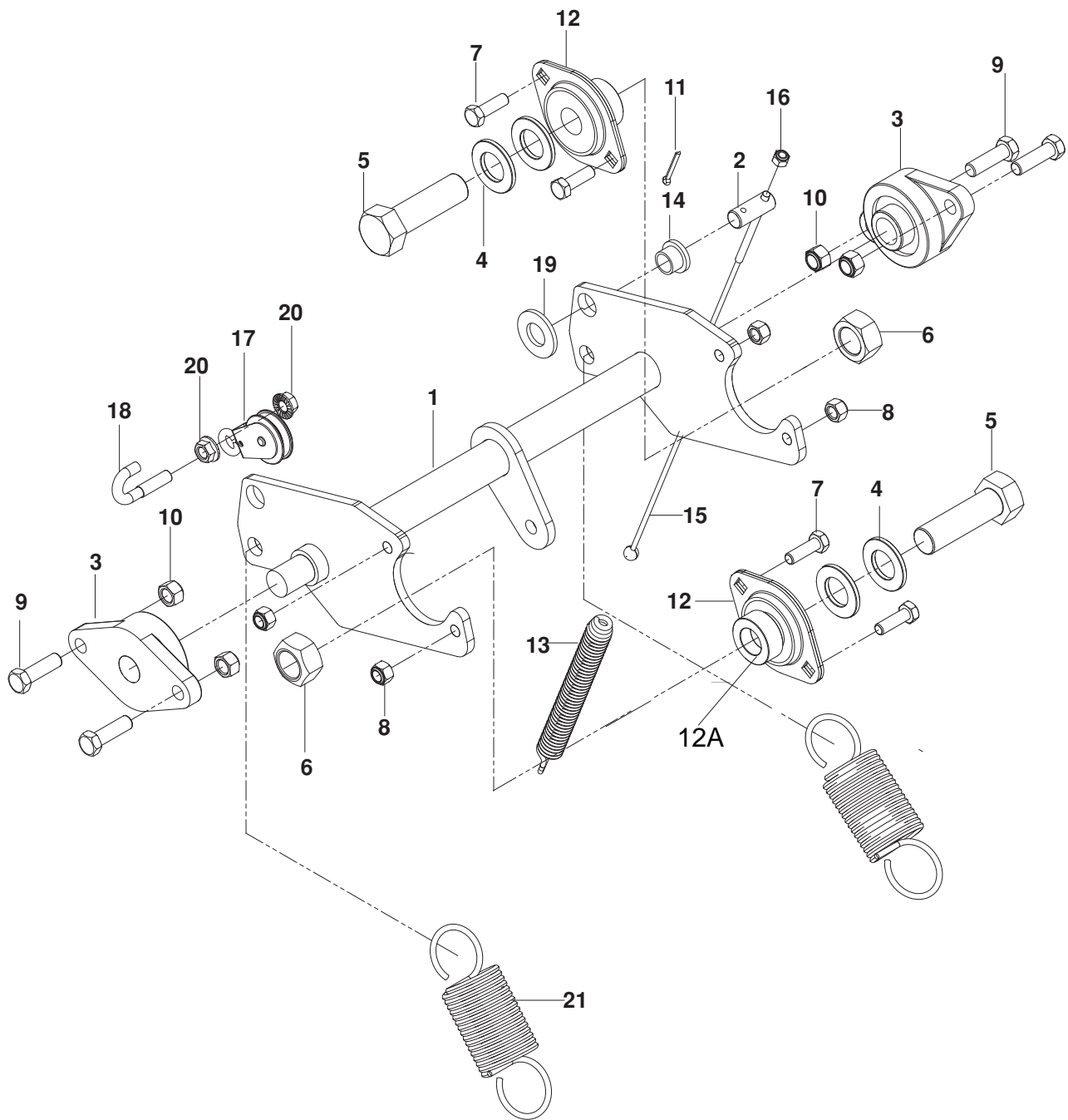
GEARS



GEARS

ITEM	PART NO.	QTY.	DESCRIPTION	ITEM	PART NO.	QTY.	DESCRIPTION
1..	539112852.....	1	... SHIFT ROD	12..	539976941.....	2	... HCS $\frac{3}{8}$ -16 x 1 $\frac{1}{4}$
2..	539112851.....	1	... SHIFT LEVER	13..	539976979.....	1	... NUT $\frac{3}{8}$ -16 NYLOC
3..	539112490.....	1	... SHAFT, SHIFT PIVOT	14..	539990155.....	2	... NUT $\frac{3}{8}$ -24 GR2
4..	539100526.....	1	... SPACER	15..	539102754.....	1	... HCS $\frac{3}{8}$ -16 x 3 $\frac{1}{2}$ GR 8
5..	539030425.....	2	... ROD END	16..	539990546.....	1	... NUT $\frac{3}{8}$ -16 CNTRLK
6..	539003136.....	1	... BELL CRANK	17..	539976934.....	2	... HCS $\frac{5}{16}$ -18 x $\frac{3}{4}$
7..	539102590.....	1	... BALL END, RH	18..	539000407.....	1	... WASHER $\frac{1}{4}$ INT TOOTH LK
8..	539030423.....	1	... ROD END $\frac{5}{16}$ MALE	19..	539990055.....	1	... WASHER $\frac{1}{4}$ SAE
9..	539003135.....	1	... SHIFT ARM	20..	539990100.....	1	... HCS $\frac{1}{4}$ -28 x $\frac{5}{8}$
10..	539112877.....	1	... KNOB, SHIFT	21..	539109758.....	2	... NUT $\frac{5}{16}$ -24 TOP LK GRC
11..	539990692.....	2	... WASHER $\frac{5}{16}$	22..	539109332.....	1	... NUT $\frac{3}{8}$ -16 JAM

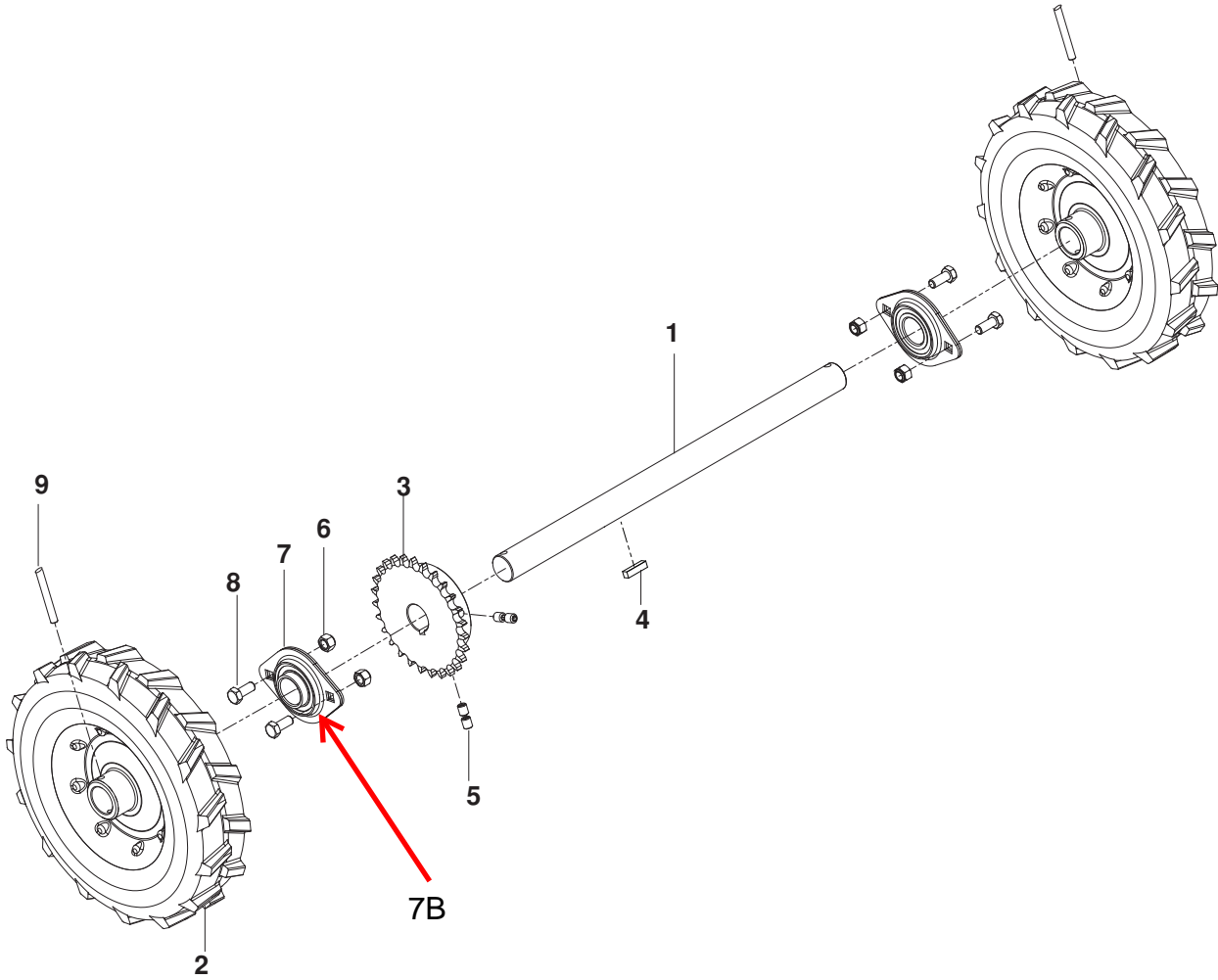
TRUNNION



TRUNNION

ITEM	PART NO.	QTY.	DESCRIPTION	ITEM	PART NO.	QTY.	DESCRIPTION
1..	539112834.....	1	... TRUNNION	12..	539000316.....	4	... FLANGE $\frac{3}{4}$
2..	539130624.....	1	... PIN, CABLE PIVOT	12A.	539000315.....	2	... BEARING
3..	539112478.....	2	... BEARING $\frac{3}{4}$ 2 BOLT	13..	539113377.....	1	... SPRING EXTENSION
4..	539109333.....	4	... WASHER $\frac{3}{4}$ SAE	14..	539100032.....	1	... BUSHING, FLANGED
5..	539108438.....	2	... HCS $\frac{3}{4}$ -16 x 2 $\frac{1}{2}$	15..	539130625.....	1	... CABLE, PULL
6..	539110800.....	2	... NUT $\frac{3}{4}$ -16 TOP LK	16..	539976978.....	1	... NUT $\frac{1}{4}$ -20 NYLOC
7..	539990209.....	4	... HCS $\frac{5}{16}$ -18 x 1	17..	539030464.....	1	... PULLEY BRACKET
8..	539990717.....	4	... NUT $\frac{5}{16}$ -18 NYLOC	18..	539112896.....	1	... J-BOLT
9..	539976941.....	4	... HCS $\frac{3}{8}$ -16 x 1 $\frac{1}{4}$	19..	539976982.....	1	... WASHER $\frac{5}{8}$ SAE
10..	539976979.....	4	... NUT $\frac{3}{8}$ -16 NYLOC	20..	539990585.....	2	... NUT $\frac{5}{16}$ -18 WHIZLK
11..	539109246.....	1	... PIN COTTER $\frac{1}{8}$ x 1	21..	539113185.....	2	... SPRING, EXTENSION

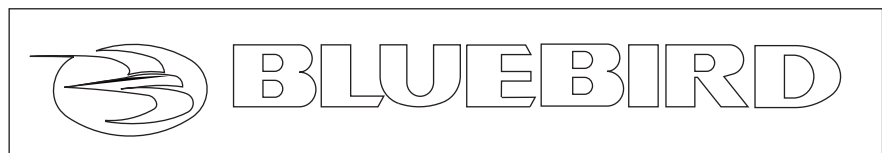
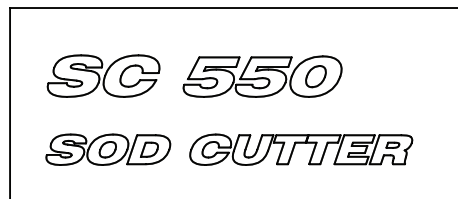
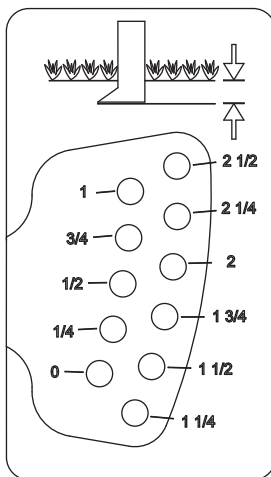
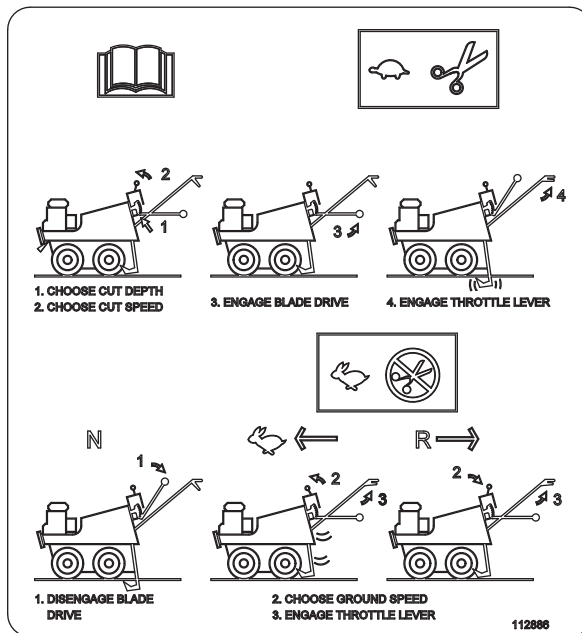
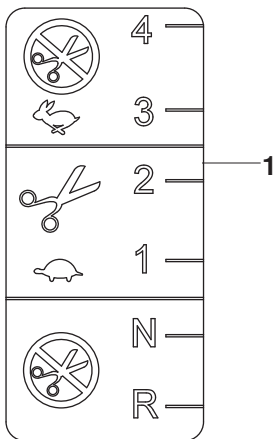
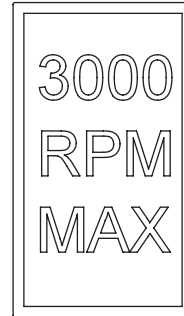
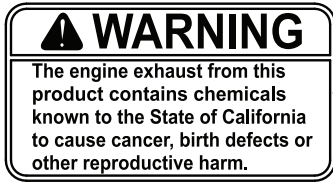
AXLE



AXLE

ITEM	PART NO.	QTY.	DESCRIPTION	ITEM	PART NO.	QTY.	DESCRIPTION
1..	539112823.....2	...	AXLE	6..	539990717.....8	...	NUT $\frac{5}{16}$ -18 NYLOC
2..	540030426.....4	...	WHEEL	7..	539000318.....8	...	BEARING FLANGE
3..	539000303.....2	...	SPROCKET w KEY	7B..	539000317...	4...	BEARING 1 INCH
4..	539105308.....2	...	KEY $\frac{1}{4}$ SQ x 1	8..	539976934.....8	...	HCS $\frac{5}{16}$ -18 x $\frac{3}{4}$
5..	539976956.....8	...	KPSS $\frac{5}{16}$ -18 x $\frac{3}{8}$	9..	539113453.....4	...	SPIRAL PIN $\frac{1}{4}$ x $1\frac{1}{2}$

DECALS



DECALS

ITEM	PART NO.	QTY.	DESCRIPTION	ITEM	PART NO.	QTY.	DESCRIPTION
1..	539112881.....	1 ...	DECAL, SHIFT	7..	539113238.....	1 ...	DECAL, SC550 SOD CUTTER
2..	539101881.....	1 ...	DECAL, PROP 65	8..	539111041.....	1 ...	DECAL, BLUEBIRD
3..	540200025.....	1 ...	DECAL, 3000 MAX RPM				NOT SHOWN
4..	540200076.....	1 ...	DECAL, DANGER FOOT		539008340	1 ...	DECAL, STACKED LOGO
5..	539112888.....	1 ...	DECAL, DEPTH OF CUT				
6..	539112886.....	1 ...	DECAL, OPERATION				



P/N 115 370827RM

BlueBird Turf Products
68 S Squirrel Rd
Auburn Hills Mi 48326

9/20/17