



Click Here To View
Item at

www.GapPower.com

*Sales • Rentals
Parts & Service*



A TEREX BRAND

Parts Manual

Serial Number Range

GS-2669DC

from SN GS6912-1300

GS-3369DC

GS-4069DC

Part No. 237928

Rev B8

January 2014

Technical Publications

Genie has endeavored to deliver the highest degree of accuracy possible. However, continuous improvement of our products is a Genie policy. Therefore, product specifications are subject to change without notice.

Readers are encouraged to notify Genie of errors and send in suggestions for improvement. All communications will be carefully considered for future printings of this and all other manuals.


Contact Us:

Internet: www.genielift.com

E-mail: AWP:techpub@terex.com

Copyright © 2011 by Terex Corporation
237928 Rev B August 2012
First Edition, Second Printing

Genie is a registered trademark of Terex South Dakota in the USA and many other countries. "GS" is a trademark of South Dakota, Inc.

 Printed on recycled paper



Model: GS-3369
Serial number: GS6912-1301
Model year: 2012 **Manufacture date:** 05/10/12
Electrical schematic number: Es0539
Machine unladen weight: 7,672 lb / 3,480 kg

Rated work load (including occupants): 1,000 lb / 454 kg

Maximum allowable inclination of the chassis:

N/A

Gradeability: N/A

Maximum allowable side force : 200 lb / 890 N

Maximum number of platform occupants: 4

Country of manufacture: USA

This machine complies with:

ANSI A92.6
B354.2

Terex South Dakota, Inc.

500 Oak Wood Road

PO Box 1150

Watertown SD US 57201

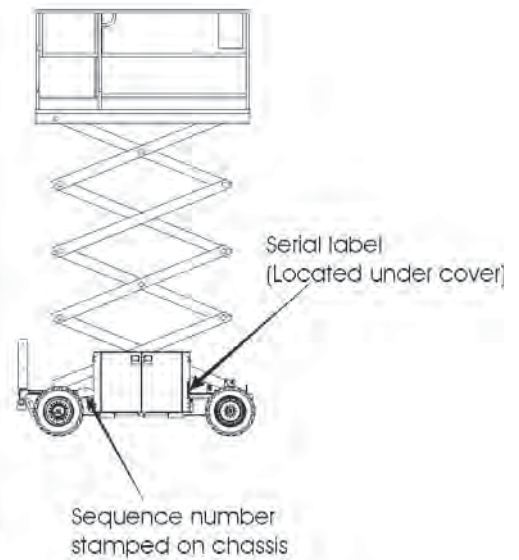
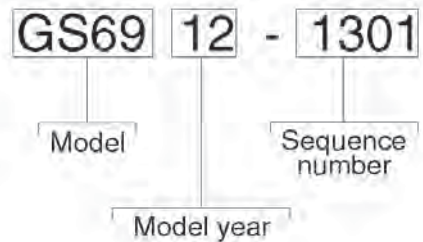


Table of Contents

This manual is updated frequently. If you have a printed manual, you can keep it up to date by downloading new figures from the Genie website at www.genielift.com. For the most up-to-date parts information, visit the Parts Lookup System on the Genie website at www.genielift.com.

How to Read Your Serial Number.....	3
Parts Stocking List.....	7
How to Order Parts.....	8
Service Parts Fax Order Form.....	9

Electronic Version

Click on any page number to view the figure.

100 Decals

101.1 Decals with Words, GS-2669, Battery Side.....	10
102.1 Decals with Words, GS-2669, Controls Side.....	12
103.1 Decals with Words, GS-2669, Platform, ANSI & CSA.....	14
104.1 Decals with Words, GS-2669, Platform, AUS.....	16
105.1 Decals with Symbols, GS-2669, Battery Side.....	18
106.1 Decals with Symbols, GS-2669, Controls Side.....	20
107.1 Decals with Symbols, GS-2669, Platform, Asia & S. America.....	22
108.1 Decals with Symbols, GS-2669, Platform, CE.....	24
109.1 Decals with Words, GS-3369, Battery Side.....	26
110.1 Decals with Words, GS-3369, Controls Side.....	28
111.1 Decals with Words, GS-3369, Platform, ANSI & CSA.....	30
112.1 Decals with Words, GS-3369, Platform, AUS.....	32
113.1 Decals with Symbols, GS-3369, Battery Side.....	34
114.1 Decals with Symbols, GS-3369, Controls Side.....	36
115.1 Decals with Symbols, GS-3369, Platform, Asia & S. America.....	38
116.1 Decals with Symbols, GS-3369, Platform, CE.....	40
117.1 Decals with Words, GS-4069, Battery Side.....	42
118.1 Decals with Words, GS-4069, Controls Side.....	44
119.1 Decals with Words, GS-4069, Platform, ANSI & CSA.....	46
120.1 Decals with Words, GS-4069, Platform, AUS.....	48
121.1 Decals with Symbols, GS-4069, Battery Side.....	50
122.1 Decals with Symbols, GS-4069, Controls Side.....	52
123.1 Decals with Symbols, GS-4069, Platform, Asia & S. America.....	54
124.1 Decals with Symbols, GS-4069, Platform, CE.....	56

200 Drive Chassis Components

201.1 Steer Axle Linkage, Wheels and Drive Motors.....	58
202.1 Steer Axle Linkage, Oscillation.....	62
203.1 Non-Steer Axle and Drive Motors.....	64
204.1 Ladder and Counterweight.....	66
205.1 Drive Chassis, Safety Components.....	68

300 Chassis Tray Components

301.1 Hydraulic Tank and Ground Controls Installation.....	70
302.1 Hydraulic Tray Components, View 1.....	72
303.1 Hydraulic Tray Components, View 2.....	74
304.1 Battery Tray Components, View 1.....	76
305.1 Battery Tray Components, View 2.....	78
306.1 Ground Controls.....	80
307.1 Chassis Cover Installation.....	82
308.1 Power Cables.....	84
309.1 Electrical Wiring.....	86

400 Scissor Components

401.1 Scissor Components, GS-2669DC.....	88
402.1 Scissor Components, GS-3369DC, View 1.....	90
403.1 Scissor Components, GS-3369DC, View 2.....	92
404.1 Scissor Components, GS-4069DC, View 1.....	94
405.1 Scissor Components, GS-4069DC, View 2.....	96

500 Platform Components

501.1 Platform Installation, GS-2669.....	98
502.1 Platform Installation, GS-3369 & GS-4069.....	100
503.1 Platform Railing Installation.....	102
504.1 Platform Entry Gate.....	104
505.1 Platform Extension.....	106
506.1 Platform Extension Deck Lock.....	108
507.1 Power to Platform.....	110
508.1 Platform Controls.....	112
509.1 Platform Controls Joystick.....	114

600 Hydraulic Components

601.1 Function Manifold.....	116
602.1 Oscillate Cylinder Assembly, All Models.....	118
603.1 Lift Cylinders.....	120
604.1 Hydraulic Hoses and Fitting, Lift Cylinder, GS-4069.....	122
605.1 Hydraulic Hoses and Fittings.....	124

700 Accessories

701.1 Flashing and Motion Beacon.....	126
702.1 Outrigger Installation, View 1.....	128
703.1 Outrigger Installation, View 2.....	130
704.1 Outrigger Manifold.....	132
705.1 Outrigger Cylinders, All Models.....	134

706.1 Hydraulic Hoses and Fittings, Outrigger.....136
707.1 Air to Platform.....138
708.1 Link Guard, CE and Australia.....140

Indices
Part Number Index.....142
Part Description Index.....145

Cross References
Fittings Cross Reference.....150

Required Parts

The following parts are required to perform maintenance procedures as outlined in the *Genie GS-69 DC Service Manual*.

Description	Part No.
Plug and Cap Kit (for ORFS fittings).....	49613
Dielectric Grease.....	66399
Hydraulic Filter.....	60857
Cotter Pin.....	45114
Hydraulic Tank Cap (models w/opt. hyd fluid).....	131658

Recommended Parts

Description	Part No.
Genie Blue Paint, 1 Gallon.....	32150
Genie Blue Paint, 12 Ounce Aerosol.....	1484
Genie Gray Paint, 1 Gallon.....	32151
Genie Gray Paint, 12 Ounce Aerosol.....	1268

Manuals

Genie Industries offers the following support documents for these models:

Title	Part No.
Genie GS-69 DC Operator's Manual, ANSI/CSA models.....	236445
Genie GS-69 DC Service Manual.....	214415
EMI Safety Manual.....	27581
Manual of Responsibilities	
ANSI A92.6.....	44163

How To Order Parts

Please be prepared with the following information when ordering replacement parts for your Terex or Genie product:

- Machine model number
- Machine serial number
- Part number
- Part description and quantity
- Purchase order number
- "Ship to" address
- Desired method of shipment
- Name and telephone number of the authorized distributor in your area

Use the Service Parts Fax Order Form on the next page and fax your order to our Parts Department.

If you don't know the name of your authorized distributor, or if your area is not currently serviced by an authorized distributor, please call Terex or Genie Industries.

Machine Information

Model

Serial Number

Date of Purchase

Authorized Genie Distributor

Phone Number

North America

Telephone (425) 556-6551
 Toll Free (877) 367-5606 in U.S.A. and Canada
 Fax (425) 556-8659
 Toll Free Fax (888) 274-6192

Europe

Parts Telephone (31) (165) 519 313
 Parts Fax (31) (165) 511 148

Australia

Parts Telephone (61) (7) 3456 4444
 Parts Fax (61) (7) 3456 4466

South America

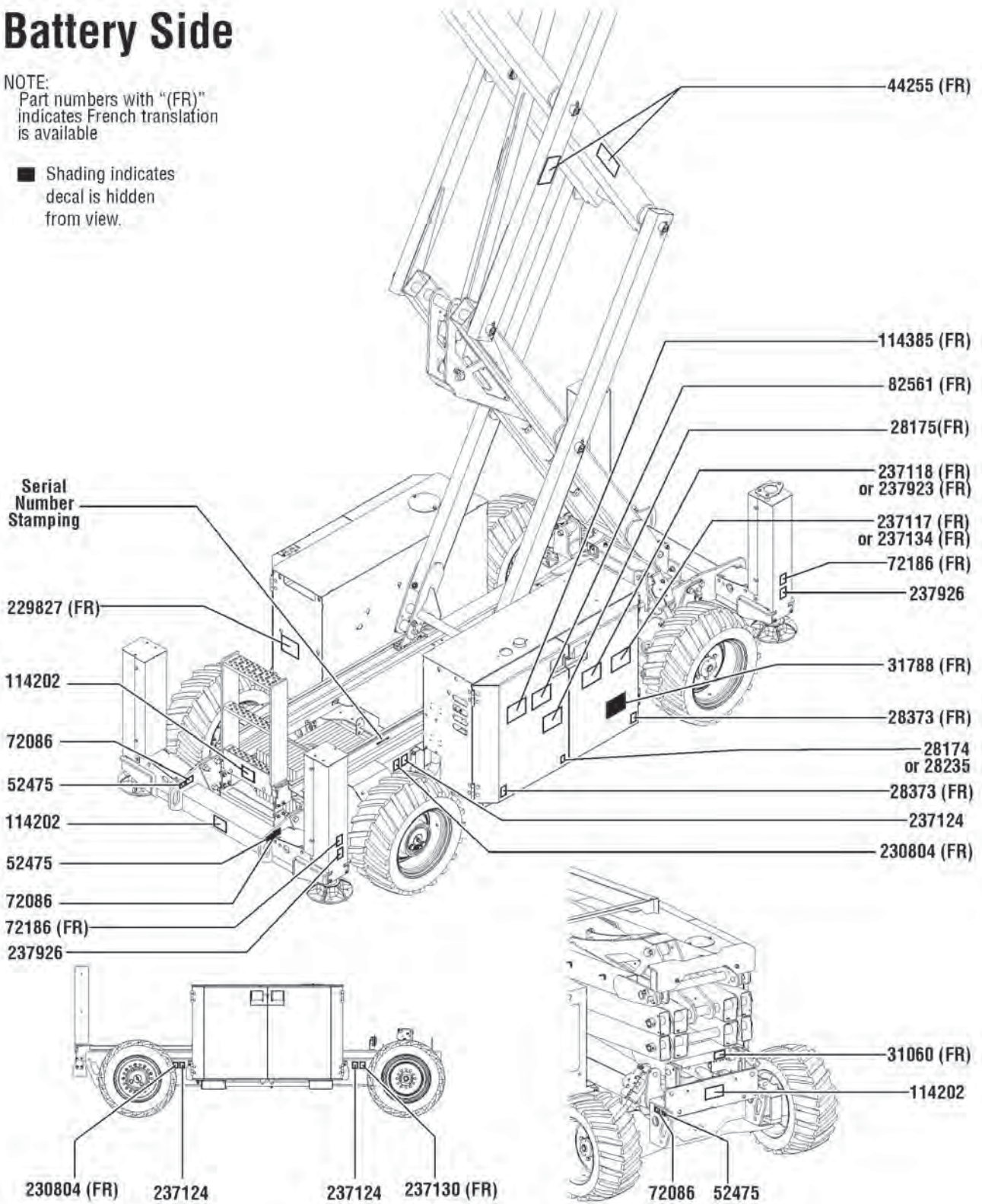
Parts Telephone (55) (11) 4082 5600
 Parts Fax (55) (11) 4082 5630

101.1 Decals with Words, GS-2669, Battery Side

Battery Side

NOTE:
Part numbers with "(FR)"
indicates French translation
is available

■ Shading indicates
decals are hidden
from view.



101.1 Decals with Words, GS-2669, Battery Side

Item	Part No.	Description	Qty.	Item	Part No.	Description	Qty.
--		DECAL KIT,2669DC PLAT,WRDS,AUS <i>(Decal kit, platform for AUS models only)</i>		21	237923	DECAL,BATT CONN DIAGRAM,T105.....1 <i>(GS-2669 DC and GS-3369 DC ONLY)</i>	1
1	28174	DECAL,POWER TO PLATFORM 230V.....1	1	22	237926	DECAL,LABEL,OUTRIGGER LD.....2 <i>(option)</i>	2
2	28175	DECAL,COMPARTMENT ACCESS.....1	1				
3	28235	DECAL,POWER TO PLATFORM 115V.....1	1				
4	28373	DECAL,FORK LIFT POCKET.....2	2				
5	31060	DECAL,DANGER DO NOT ALTER SWTC.....1	1				
6	31788	DECAL,DANGER,BATTERY SAFETY***1	1				
7	44255	DECAL,DANGER,CRUSHING HAZARD.....2	2				
8	52475	DECAL,LABEL,TRANSPORT TIEDOWN*3	3				
9	72086	DECAL,LABEL,LIFTING EYE.....3	3				
10	72186	DECAL,WARNING,CRUSHING HAZARD.....2 <i>(option)</i>	2				
11	82561	DECAL,DANGER-USE SAFETY ARM.....1	1				
12	114202	DECAL,LABEL,TRANSPORT TIE 68.....3	3				
13	114385	DECAL,DANGER,ELEC HAZARD,GS.....1	1				
14	229827	DECAL,WARNING,HOT SURFACE.....1	1				
15	230804	DECAL,NOTICE,TIRE SPECS, REAR.....1 <i>(non-steer end)</i>	1				
16	237117	DECAL,DANGER-TIP-OVR,BATT,J305.1 <i>(option)</i>	1				
17	237118	DECAL,BATT CONN DIAGRAM,J305.....1 <i>(option)</i>	1				
18	237124	DECAL,LABEL,WHEEL LD,GS2669DC.....2	2				
19	237130	DECAL,NOTICE,TIRE SPECS, FRONT.....1 <i>(steer end)</i>	1				
20	237134	DECAL,DANGER-TIP-OVR,BATT,T105.1 <i>GS-2669 DC and GS-3369 DC ONLY</i>					

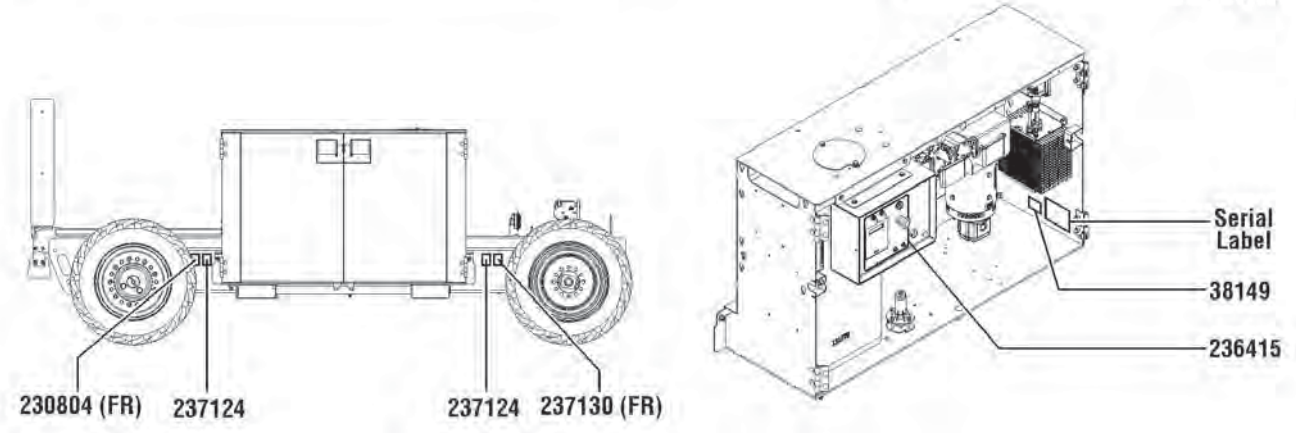
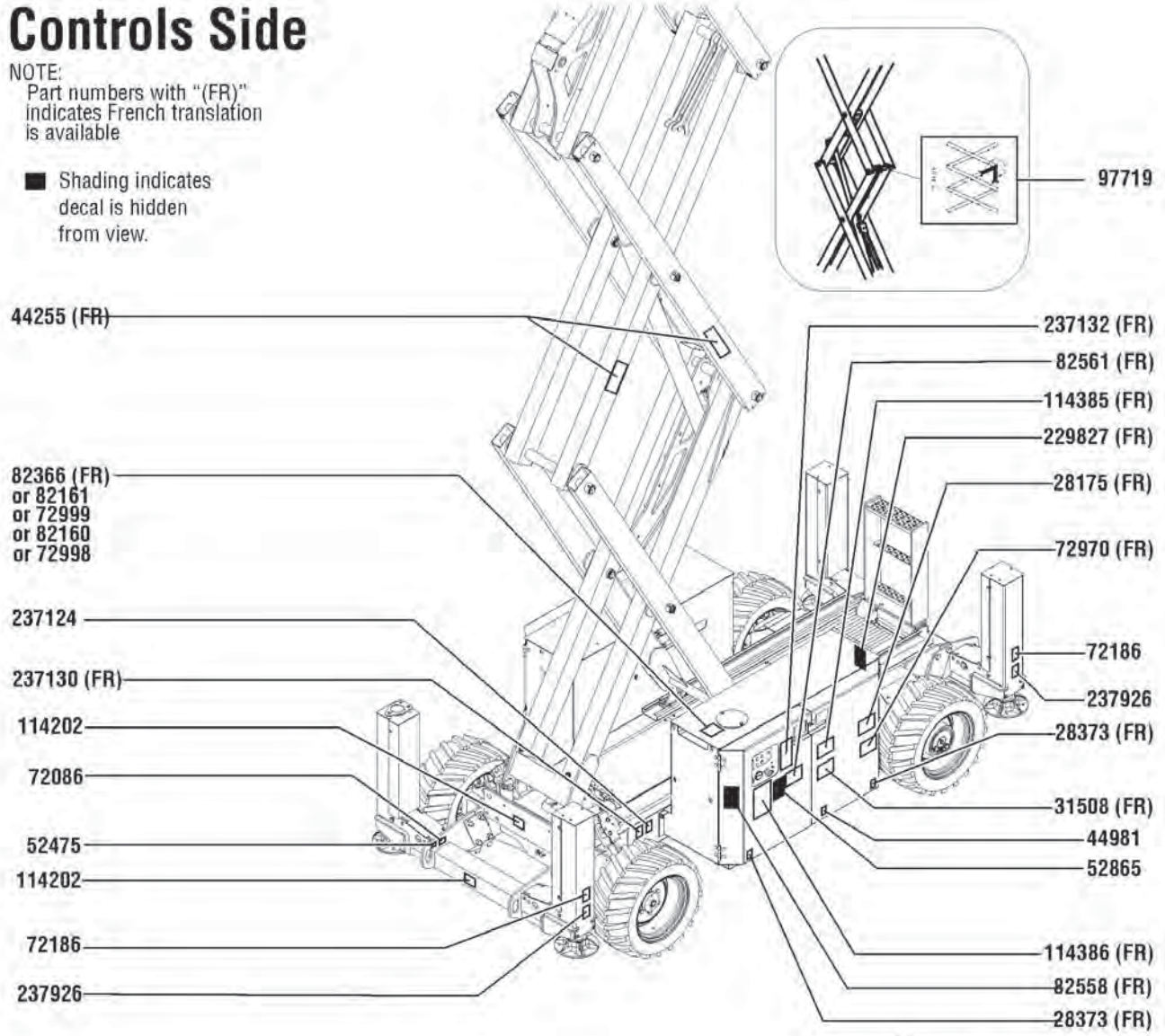


102.1 Decals with Words, GS-2669, Controls Side

Controls Side

NOTE:
Part numbers with "(FR)" indicates French translation is available

■ Shading indicates decal is hidden from view.



102.1 Decals with Words, GS-2669, Controls Side

Item	Part No.	Description	Qty.	Item	Part No.	Description	Qty.
--		Ref. Word Decal Kits <i>(refer to 101.1)</i>		21	97719	DECAL, LABEL, SAFETY ARM SYMB.....	1
1	28174	DECAL,POWER TO PLATFORM 230V.....	1	22	114202	DECAL,LABEL,TRANSPORT TIE 68.....	2
2	28175	DECAL,COMPARTMENT ACCESS.....	1	23	114385	DECAL,DANGER,ELEC HAZARD,GS.....	1
3	28235	DECAL,POWER TO PLATFORM 115V.....	1	24	114386	DECAL,DANGER-GEN SAFETY.....	1
4	28373	DECAL,FORK LIFT POCKET.....	2	25	229827	DECAL,WARNING,HOT SURFACE.....	1
5	31508	DECAL,DANGER,ELECT HAZARD,PLUG.....	1	26	230804	DECAL,NOTICE,TIRE SPECS, REAR..... <i>(non-steer end)</i>	1
6	38149	DECAL,LABEL,PATENTS..... <i>(US Only)</i>	1	27	236415	DECAL, GROUND CONTROL PANEL, G.....	1
7	44255	DECAL,DANGER,CRUSHING HAZARD.....	2	28	237124	DECAL,LABEL,WHEEL LD,GS2669DC.....	3
8	44981	DECAL,LABEL,AIRLINE 110 PSI..... <i>(option)</i>	1	29	237130	DECAL,NOTICE,TIRE SPECS, FRONT..... <i>(steer end)</i>	2
9	52475	DECAL,LABEL,TRANSPORT TIEDOWN*.....	1	30	237132	DECAL,GRND OPS INSTRUCT,GS69DC.....	1
10	52865	DECAL,ANNUAL INSP***.....	1	31	237926	DECAL,LABEL,OUTRIGGER LD..... <i>(option)</i>	2
11	72086	DECAL,LABEL,LIFTING EYE.....	1				
12	72186	DECAL,WARNING,CRUSHING HAZARD..... <i>(option)</i>	2				
13	72970	DECAL,INSTRUCTIONS-CHARGER OP.....	1				
14	72998	DECAL,LABEL,QUINTOLUBRIK..... <i>(For models with Quintolub hydraulic oil only)</i>	1				
15	72999	DECAL,LABEL,PETRO CANADA***..... <i>(For models with Petro Canada hydraulic oil only)</i>	1				
16	82160	DECAL,LABEL,STATOIL HYDRA WAY..... <i>(For models with Statoil hydraulic oil only)</i>	1				
17	82161	DECAL,LABEL,UCON HYDROLUBE..... <i>(For models with Ucon Hydrolube hydraulic oil only)</i>	1				
18	82366	DECAL,CHEVRON RANDO HD..... <i>(For models with Chevron Rando hydraulic oil only)</i>	1				
19	82558	DECAL,SKIN INJECTION.....	1				
20	82561	DECAL,DANGER-USE SAFETY ARM.....	1				

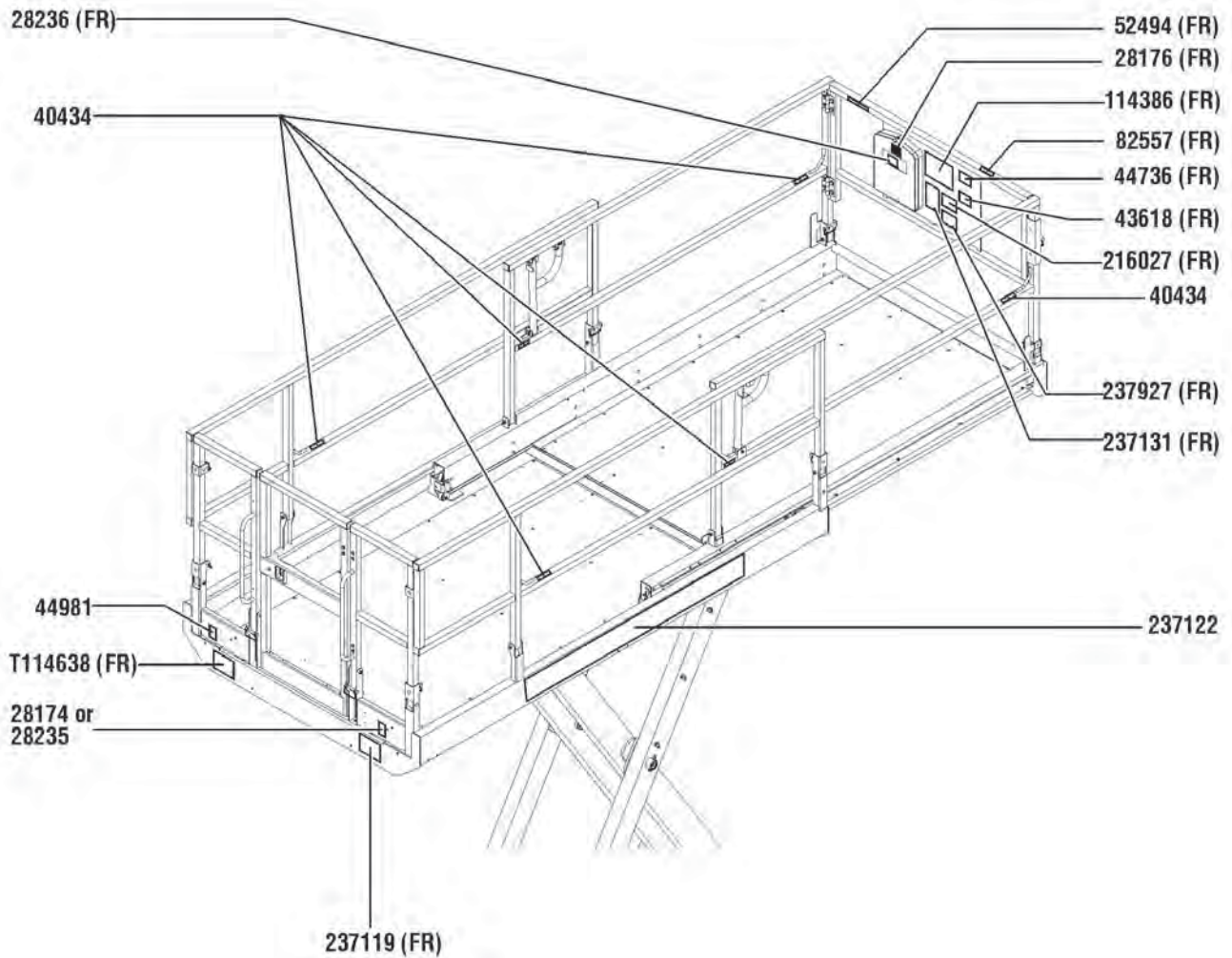
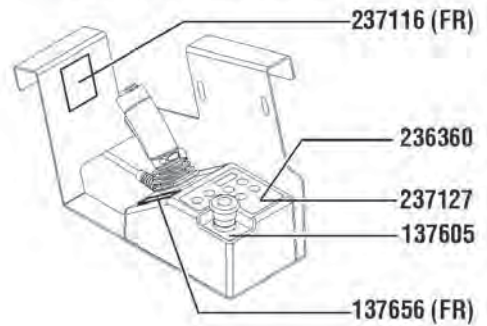


Platform, ANSI/CSA models

NOTE:
Part numbers with "(FR)" indicates French translation is available

☐ Shading indicates decal is hidden from view.

Platform Controls



103.1 Decals with Words, GS-2669, Platform, ANSI & CSA

Item	Part No.	Description	Qty.
--		Ref. Word Decal Kits <i>(refer to 101.1)</i>	
1	28174	DECAL,POWER TO PLATFORM 230V.....	1
2	28176	DECAL,LABEL,MANUAL NOT HERE.....	1
3	28235	DECAL,POWER TO PLATFORM 115V.....	1
4	28236	DECAL,WARN,IMPROPER OPERATION.....	1
5	40434	DECAL,LANYARD ANCHORAGE POINT.....	6
6	43618	DECAL,LABEL-DIRECTION ARROWS.....	1
7	44736	DECAL,DANGER,TIP-OVER,TILT....	1
8	44981	DECAL,LABEL,AIRLINE 110 PSI.... <i>(option)</i>	1
9	52494	DECAL,CAUTION,CRUSH HAZ, RAILS.....	1
10	82557	DECAL,LABEL,PLAT CONT LOCATION.....	1
11	114386	DECAL,DANGER-GEN SAFETY.....	1
12	137605	DECAL,E-STOP,GR/GRC/GS PCON.....	1
13	137656	DECAL,PROPEL,GR/GRC/GS,PCON.	1
14	216027	DECAL,DANGER-RUNAWAY HAZARD,SLOPE.....	1
15	236360	DECAL, UI, GS69DC,PCON.....	1
16	237116	DECAL,LABEL,FAULT CODES,69DC.....	1
17	237119	DECAL,NOTICE,SIDE FRC GS2669DC.....	1
18	237122	DECAL,COSMETIC GENIE GS-2669DC.....	1
19	237127	DECAL,UI,GS69DC W/OR,PCON.... <i>(option)</i>	1
20	237131	DECAL,PLAT OPS INSTRUCT,GS69DC.....	1
21	237927	DECAL,DANGER,OUTRIGGER SAFETY..... <i>(option)</i>	1
22	T114638	DECAL,NOTICE,MAX CAP GS2669.....	1

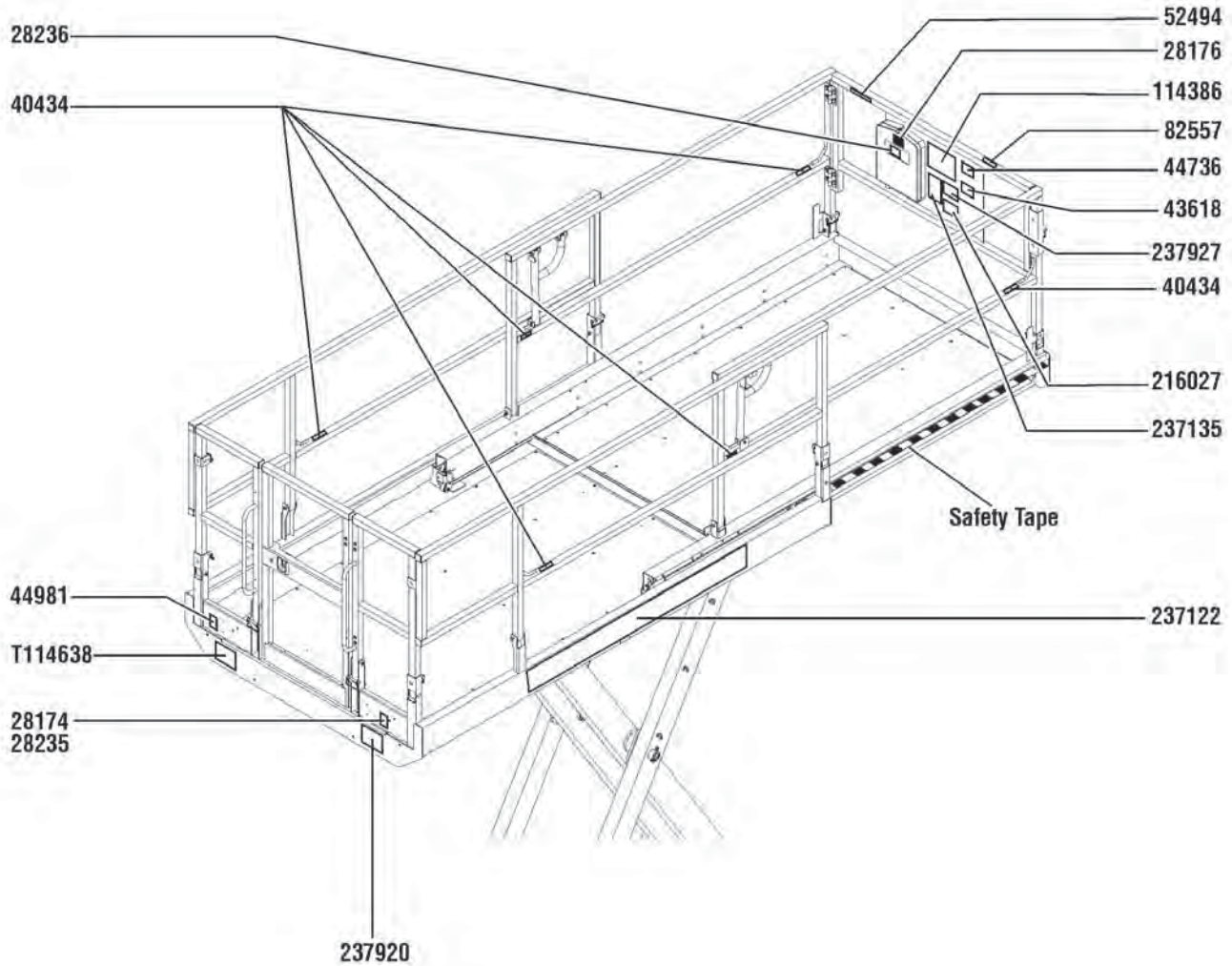
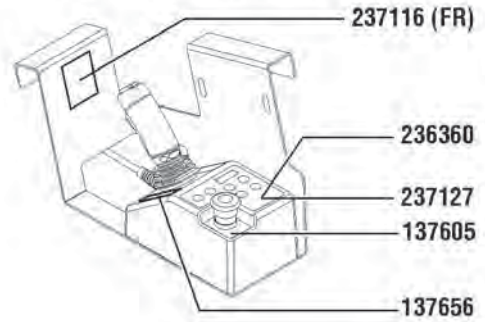


Platform, Australia models

NOTE:
Part numbers with "(FR)"
indicates French translation
is available

■ Shading indicates
decal is hidden
from view.

Platform Controls



104.1 Decals with Words, GS-2669, Platform, AUS

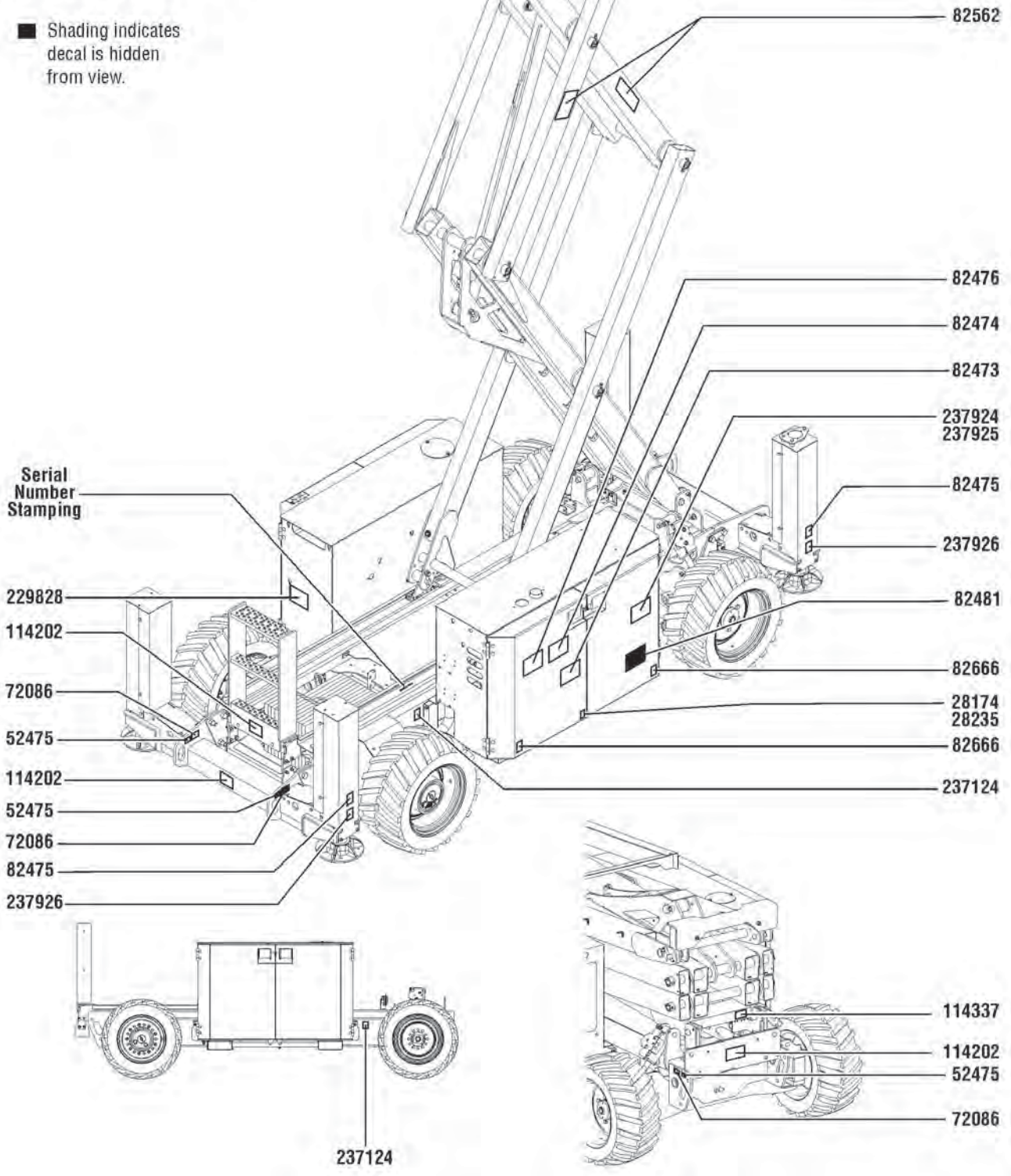
Item	Part No.	Description	Qty.
--		Ref. Word Decal Kits <i>(refer to 101.1)</i>	
1	28174	DECAL,POWER TO PLATFORM 230V.....	1
2	28176	DECAL,LABEL,MANUAL NOT HERE.....	1
3	28235	DECAL,POWER TO PLATFORM 115V.....	1
4	28236	DECAL,WARN,IMPROPER OPERATION.....	1
5	40434	DECAL,LANYARD ANCHORAGE POINT.....	6
6	43618	DECAL,LABEL-DIRECTION ARROWS.....	1
7	44736	DECAL,DANGER,TIP-OVER,TILT....	1
8	44981	DECAL,LABEL,AIRLINE 110 PSI.... <i>(option)</i>	1
9	52494	DECAL,CAUTION,CRUSH HAZ, RAILS.....	1
10	82557	DECAL,LABEL,PLAT CONT LOCATION.....	1
11	114386	DECAL,DANGER-GEN SAFETY.....	1
12	137605	DECAL,E-STOP,GR/GRC/GS PCON.....	1
13	137656	DECAL,PROPEL,GR/GRC/GS,PCON.	1
14	216027	DECAL,DANGER-RUNAWAY HAZARD,SLOPE.....	1
15	236360	DECAL, UI, GS69DC,PCON.....	1
16	237116	DECAL,LABEL,FAULT CODES,69DC.....	1
17	237122	DECAL,COSMETIC GENIE GS-2669DC.....	1
18	237127	DECAL,UI,GS69DC W/OR,PCON.... <i>(option)</i>	1
19	237135	DECAL,PLAT OPS INSTRUCT,GS69DC.....	1
20	237920	DECAL,NOTICE,SIDE FRC GS2669DC.....	1
21	237927	DECAL,DANGER,OUTRIGGER SAFETY..... <i>(option)</i>	1
22	T114638	DECAL,NOTICE,MAX CAP GS2669.....	1



105.1 Decals with Symbols, GS-2669, Battery Side

Battery Side

■ Shading indicates decal is hidden from view.



105.1 Decals with Symbols, GS-2669, Battery Side

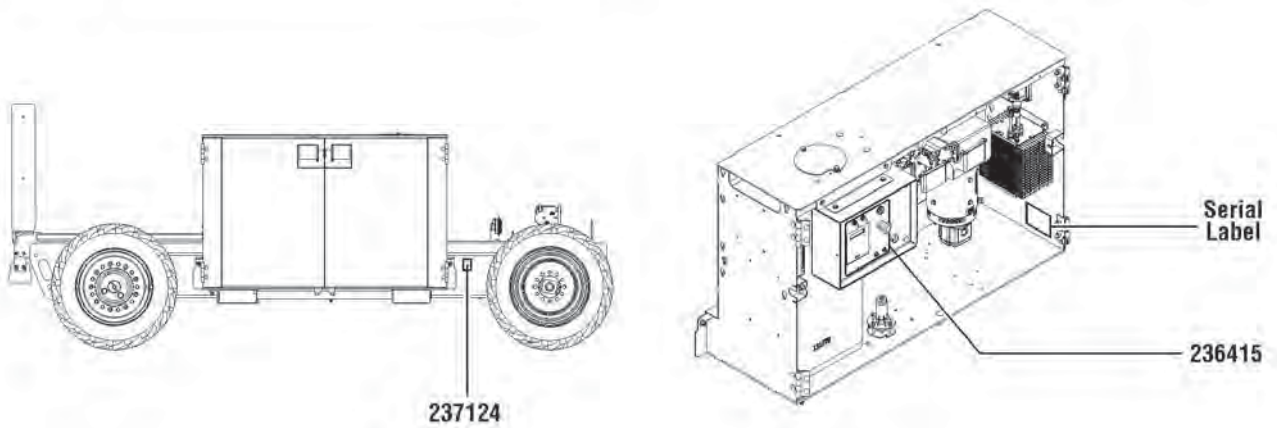
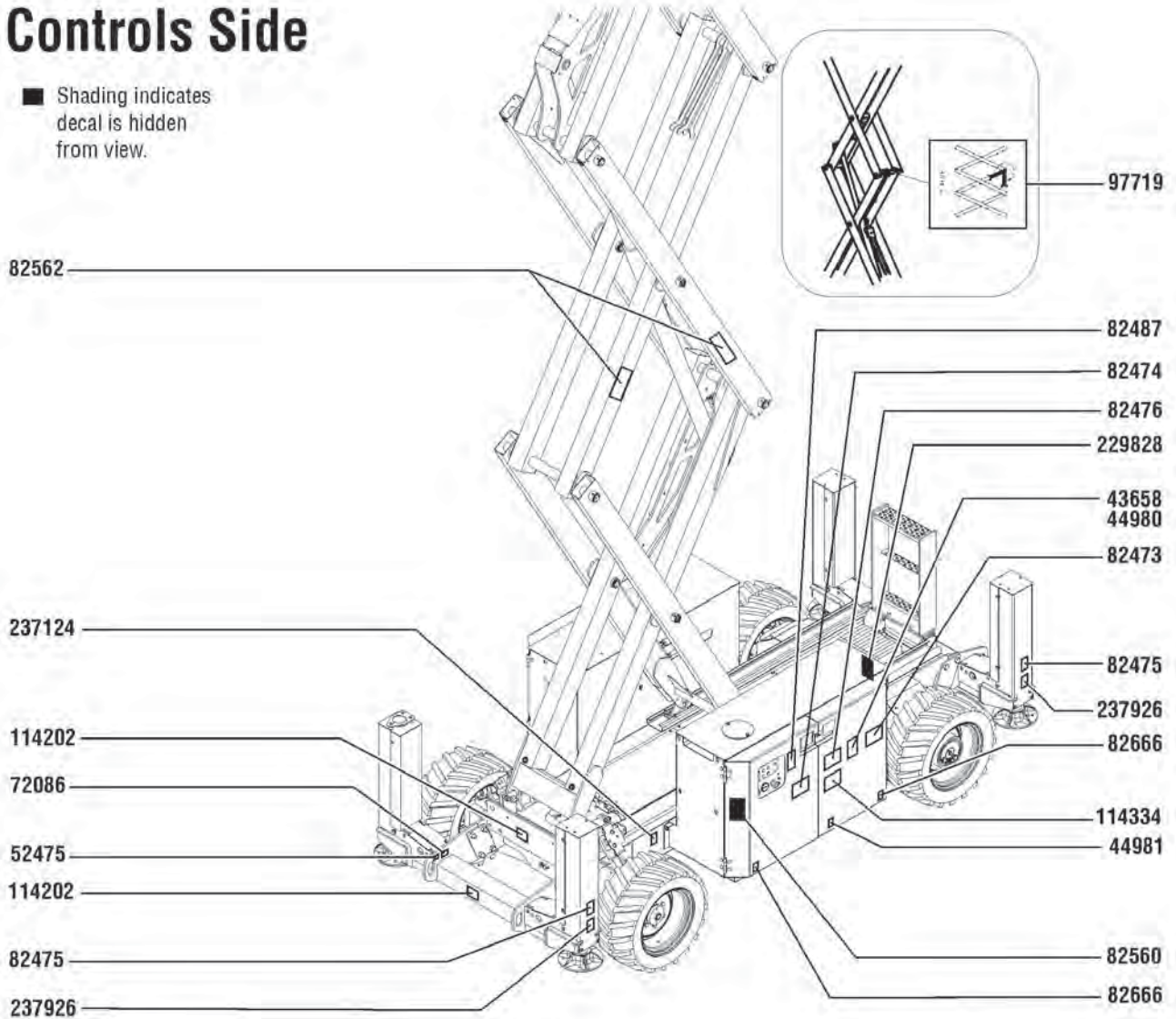
Item	Part No.	Description	Qty.
--	216832	DECAL KIT,2669DC COMP,SYM,ANSI <i>(Decal kit, complete for ANSI models only)</i>	
--	216880	DECAL KIT,2669DC PLAT,SYM,ANSI <i>(Decal kit, platform for ANSI models only)</i>	
--	216883	DECAL KIT,2669DC COMP,SYM,CE <i>(Decal kit, complete for CE models only)</i>	
--	216884	DECAL KIT,2669DC PLAT,SYM,CE <i>(Decal kit, platform for CE models only)</i>	
1	28174	DECAL,POWER TO PLATFORM 230V.....	1
2	28235	DECAL,POWER TO PLATFORM 115V.....	1
3	52475	DECAL,LABEL,TRANSPORT TIEDOWN*.....	3
4	72086	DECAL,LABEL,LIFTING EYE.....	3
5	82473	DECAL,SYMBOL-COMP ACCESS.....	1
6	82474	DECAL,SYMBOL-USE SAFETY ARM.....	1
7	82475	DECAL,SYMBOL-FOOT CRUSHING.....	2
8	82476	DECAL,SYMBOL-ELEC HAZARD,GS.....	1
9	82481	DECAL,SYMBOL-BATTERY SAFETY.....	1
10	82562	DECAL,SYMBOL-CRUSHING HAZARD.....	2
11	82666	DECAL,LABEL,FORKLIFT POCKET.....	2
12	114202	DECAL,LABEL,TRANSPORT TIE 68.....	3
13	114337	DECAL,SYM-TIP-OVR,LIM SWITCH.....	1
14	229828	DECAL,LABEL,HOT,SYMBOL.....	1
15	237124	DECAL,LABEL,WHEEL LD,GS2669DC.....	2
16	237924	DECAL,DNGR-TIP-OVR,BATT,J305CE.1 <i>(option)</i>	1
17	237925	DECAL,DNGR-TIP-OVR,BATT,T105CE.1 <i>GS-2669 DC and GS-3369 DC ONLY</i>	1
18	237926	DECAL,LABEL,OUTRIGGER LD..... <i>(option)</i>	2



106.1 Decals with Symbols, GS-2669, Controls Side

Controls Side

■ Shading indicates decal is hidden from view.



106.1 Decals with Symbols, GS-2669, Controls Side

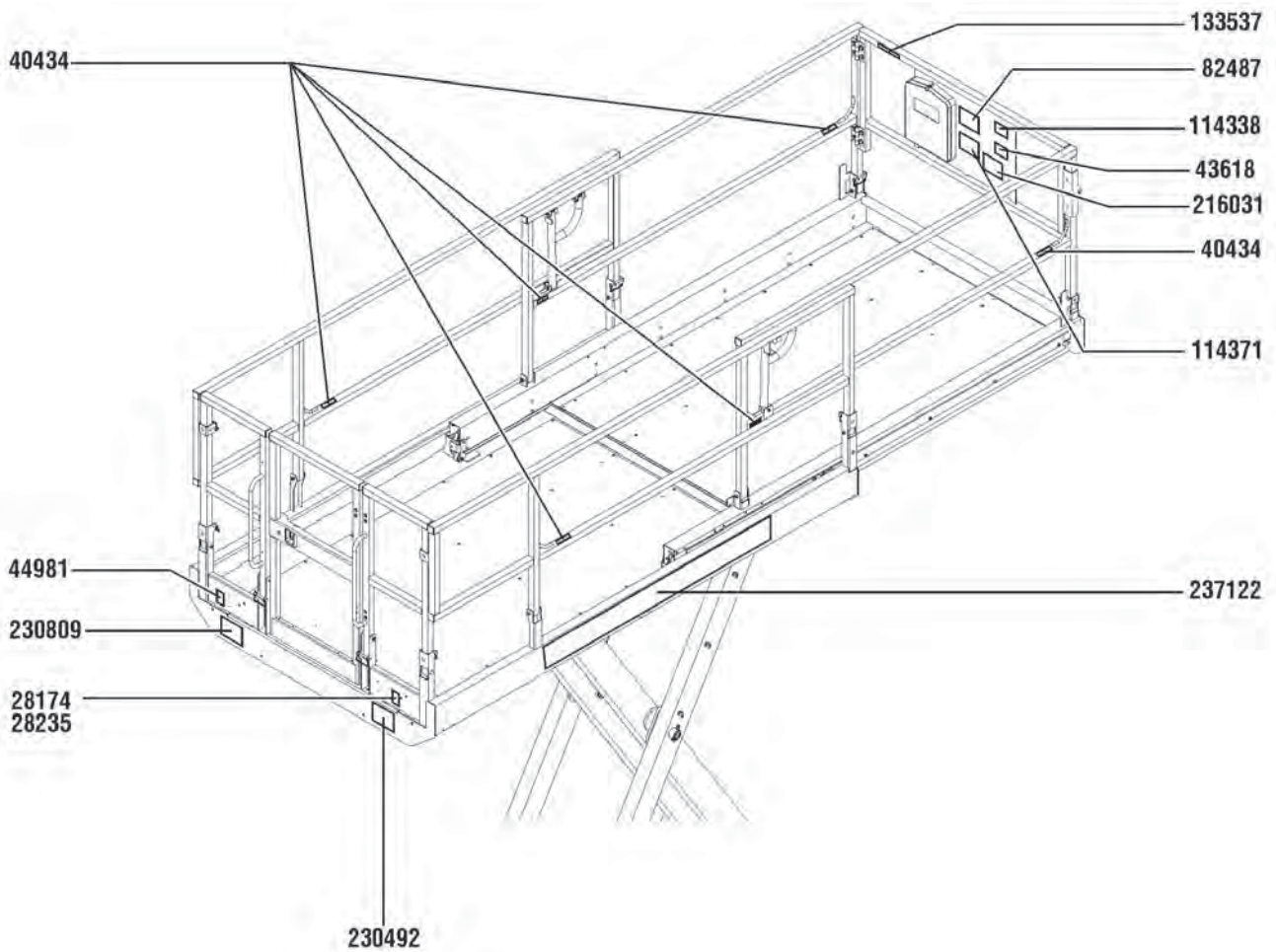
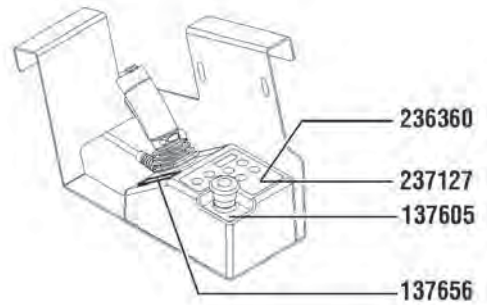
Item	Part No.	Description	Qty.
--		Ref. Symbol Decal Kits (refer to 105.1)	
1	43658	DECAL,LABEL,PWR TO CHARGR 230V.....	1
2	44980	DECAL,LABEL,PWR TO CHARGR 115V.....	1
3	44981	DECAL,LABEL,AIRLINE 110 PSI..... (option)	1
4	52475	DECAL,LABEL,TRANSPORT TIEDOWN*.....	1
5	72086	DECAL,LABEL,LIFTING EYE.....	1
6	82473	DECAL,SYMBOL-COMP ACCESS.....	1
7	82474	DECAL,SYMBOL-USE SAFETY ARM.....	1
8	82475	DECAL,SYMBOL-FOOT CRUSHING.....	2
9	82476	DECAL,SYMBOL-ELEC HAZARD,GS.....	1
10	82487	DECAL,SYMBOL-READ THE MANUAL.....	1
11	82560	DECAL,SYMBOL-SKIN INJECT HAZRD.....	1
12	82562	DECAL,SYMBOL-CRUSHING HAZARD.....	2
13	82666	DECAL,LABEL,FORKLIFT POCKET.....	2
14	97719	DECAL, LABEL, SAFETY ARM SYMB.....	1
15	114202	DECAL,LABEL,TRANSPORT TIE 68.....	2
16	114334	DECAL,SYM-ELEC HAZARD,PLUG.....	1
17	229828	DECAL,LABEL,HOT,SYMBOL.....	1
18	236415	DECAL, GROUND CONTROL PANEL, G.....	1
19	237124	DECAL,LABEL,WHEEL LD,GS2669DC.....	2
20	237926	DECAL,LABEL,OUTRIGGER LD..... (option)	2



Platform ANSI models

■ Shading indicates decal is hidden from view.

Platform Controls



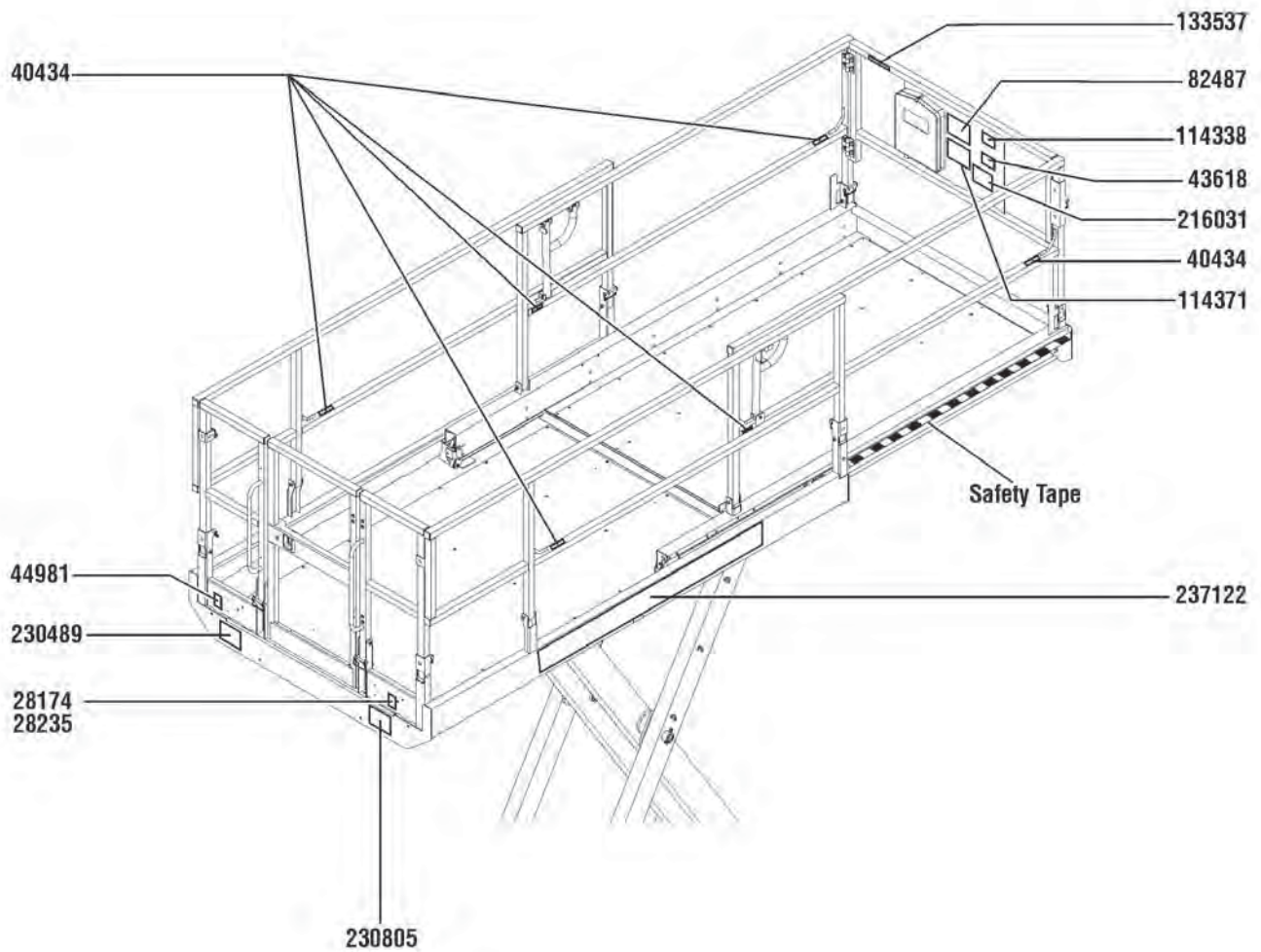
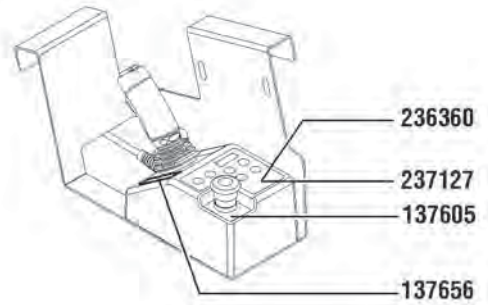
107.1 Decals with Symbols, GS-2669, Platform, Asia & S. America

Item	Part No.	Description	Qty.
--		Ref. Symbol Decal Kits (refer to 105.1)	
1	28174	DECAL,POWER TO PLATFORM 230V.....	1
2	28235	DECAL,POWER TO PLATFORM 115V.....	1
3	40434	DECAL,LANYARD ANCHORAGE POINT.....	6
4	43618	DECAL,LABEL-DIRECTION ARROWS.....	1
5	44981	DECAL,LABEL,AIRLINE 110 PSI.... (option)	1
6	82487	DECAL,SYMBOL-READ THE MANUAL.....	1
7	114338	DECAL,SYM-TIP-OVR,TILT ALARM.....	1
8	114371	DECAL,SYM-TIP-OVER,OUTRGR..1 (option)	1
9	133537	DECAL,CRUSH HAZ RAILS SYMB.....	1
10	137605	DECAL,E-STOP,GR/GRC/GS PCON.....	1
11	137656	DECAL,PROPEL,GR/GRC/GS,PCON.1	1
12	216031	DECAL,DANGER-RUNAWAY HAZARD,SLOPE.....	1
13	230492	DECAL,DANGER,SIDE FRC,GS2669.....	1
14	230809	DECAL,NOTICE,MAX CAP GS2669.....	1
15	236360	DECAL, UI, GS69DC,PCON.....	1
16	237122	DECAL,COSMETIC GENIE GS-2669DC.....	1
17	237127	DECAL,UI,GS69DC W/OR,PCON.... (option)	1

Platform CE models

■ Shading indicates decal is hidden from view.

Platform Controls



108.1 Decals with Symbols, GS-2669, Platform, CE

Item	Part No.	Description	Qty.
--		Ref. Symbol Decal Kits <i>(refer to 105.1)</i>	
1	28174	DECAL,POWER TO PLATFORM 230V.....1	1
2	28235	DECAL,POWER TO PLATFORM 115V.....1	1
3	40434	DECAL,LANYARD ANCHORAGE POINT.....6	6
4	43618	DECAL,LABEL-DIRECTION ARROWS.....1	1
5	44981	DECAL,LABEL,AIRLINE 110 PSI....1 <i>(option)</i>	1
6	82487	DECAL,SYMBOL-READ THE MANUAL.....1	1
7	114338	DECAL,SYM-TIP-OVR,TILT ALARM.....1	1
8	114371	DECAL,SYM-TIP-OVER,OUTRGR..1 <i>(option)</i>	1
9	133537	DECAL,CRUSH HAZ RAILS SYMB.....1	1
10	137605	DECAL,E-STOP,GR/GRC/GS PCON.....1	1
11	137656	DECAL,PROPEL,GR/GRC/GS,PCON.1	1
12	230489	DECAL,NOTICE,MAX CAP GS2669.....1	1
13	230805	DECAL,DANGER,MAN FRC, GS2669.....1	1
14	236360	DECAL, UI, GS69DC,PCON.....1	1
15	237122	DECAL,COSMETIC GENIE GS-2669DC.....1	1
16	237127	DECAL,UI,GS69DC W/OR,PCON....1 <i>(option)</i>	1

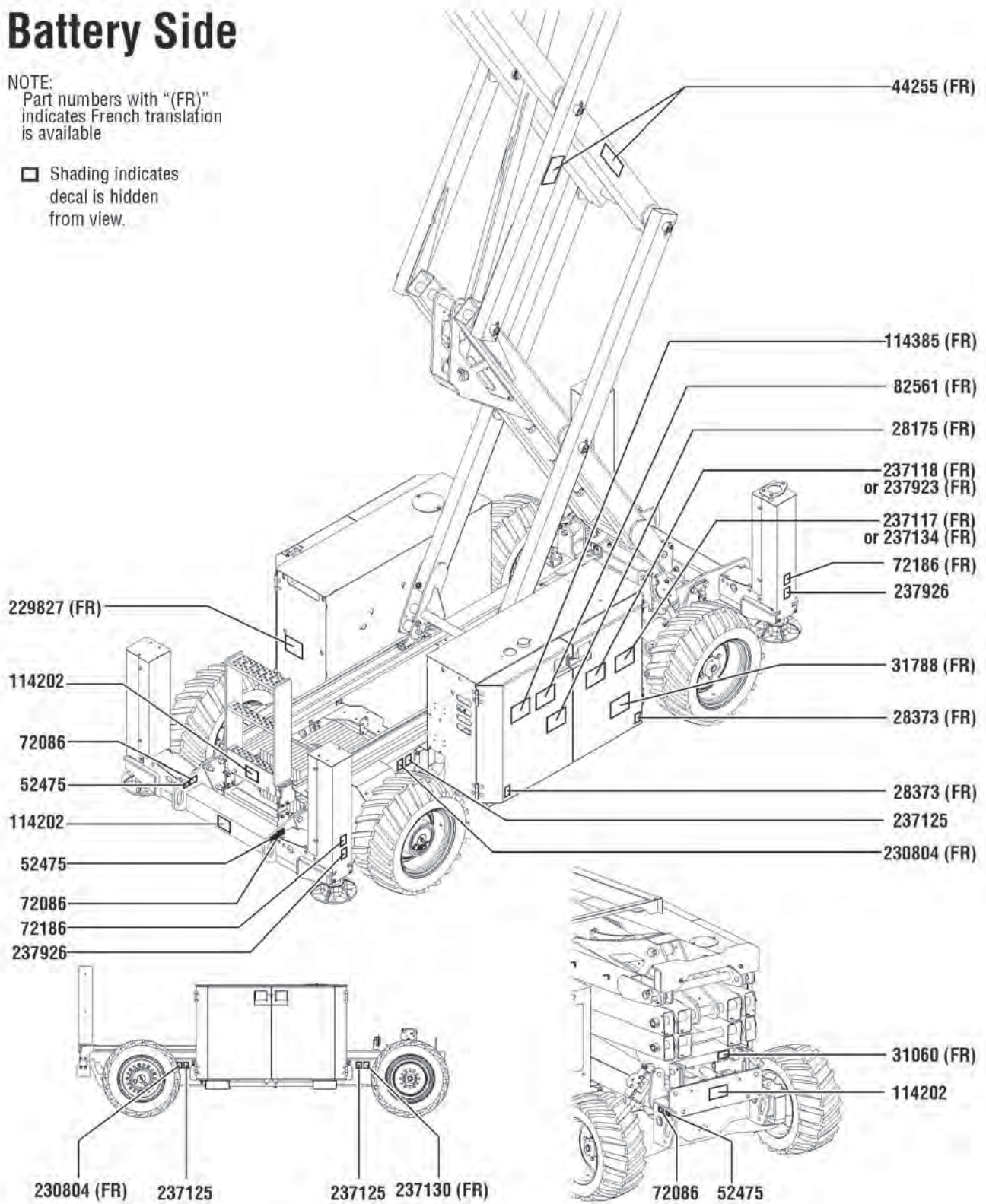


109.1 Decals with Words, GS-3369, Battery Side

Battery Side

NOTE:
Part numbers with "(FR)" indicates French translation is available

☐ Shading indicates decal is hidden from view.



109.1 Decals with Words, GS-3369, Battery Side

Item	Part No.	Description	Qty.	Item	Part No.	Description	Qty.
--	216828	DECAL KIT,3369DC COMP,WRD,ANSI <i>(Decal kit, complete for ANSI models only)</i>		16	237125	DECAL,LABEL,WHEEL LD,GS3369DC.....	2
--	216829	DECAL KIT,3369DC PLAT,WRDS,ANSI <i>(Decal kit, platform for ANSI models only)</i>		17	237130	DECAL,NOTICE,TIRE SPECS, FRONT.....	1 <i>(steer end)</i>
--	216876	DECAL KIT,3369DC COMP,WRD,AUS <i>(Decal kit, complete for AUS models only)</i>		18	237134	DECAL,DANGER-TIP-OVR,BATT,T105.1 GS-2669 DC and GS-3369 DC ONLY	
--	216877	DECAL KIT,3369DC PLAT,WRDS,AUS <i>(Decal kit, platform for AUS models only)</i>		19	237923	DECAL,BATT CONN DIAGRAM,T105.....	1 GS-2669 DC and GS-3369 DC ONLY
1	28175	DECAL,COMPARTMENT ACCESS.....	1	20	237926	DECAL,LABEL,OUTRIGGER LD.....	2 <i>(option)</i>
2	28373	DECAL,FORK LIFT POCKET.....	2				
3	31060	DECAL,DANGER DO NOT ALTER SWTC.....	1				
4	31788	DECAL,DANGER,BATTERY SAFETY***	1				
5	44255	DECAL,DANGER,CRUSHING HAZARD.....	2				
6	52475	DECAL,LABEL,TRANSPORT TIEDOWN*.....	3				
7	72086	DECAL,LABEL,LIFTING EYE.....	3				
8	72186	DECAL,WARNING,CRUSHING HAZARD.....	2				
9	82561	DECAL,DANGER-USE SAFETY ARM.....	1				
10	114202	DECAL,LABEL,TRANSPORT TIE 68.....	3				
11	114385	DECAL,DANGER,ELEC HAZARD,GS.....	1				
12	229827	DECAL,WARNING,HOT SURFACE.....	1				
13	230804	DECAL,NOTICE,TIRE SPECS, REAR.....	1 <i>(non-steer end)</i>				
14	237117	DECAL,DANGER-TIP-OVR,BATT,J305.1 <i>(option)</i>					
15	237118	DECAL,BATT CONN DIAGRAM,J305.....	1 <i>(option)</i>				

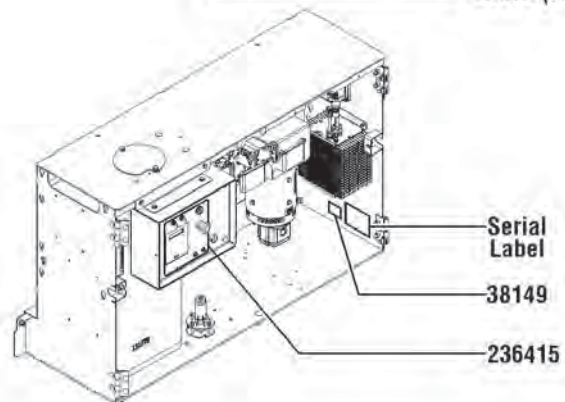
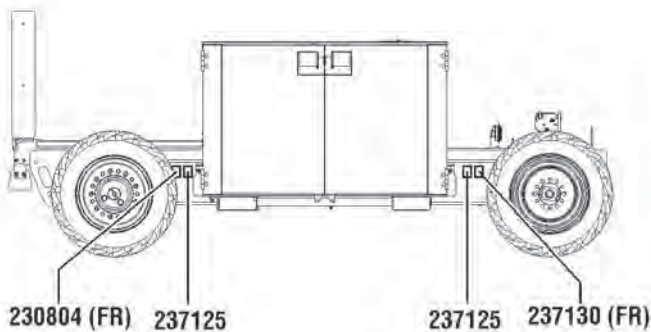
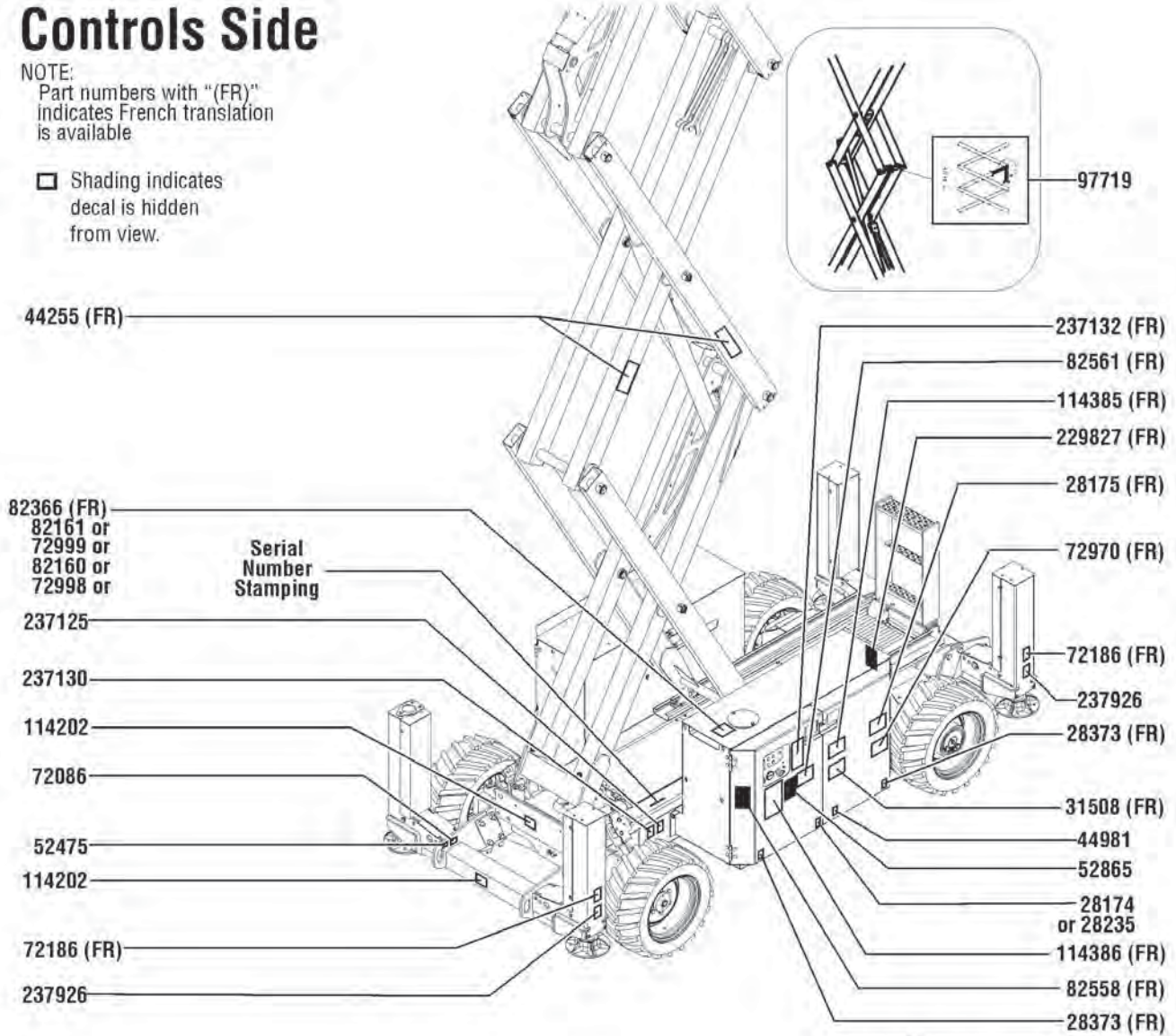


110.1 Decals with Words, GS-3369, Controls Side

Controls Side

NOTE:
Part numbers with "(FR)" indicates French translation is available

☐ Shading indicates decal is hidden from view.



110.1 Decals with Words, GS-3369, Controls Side

Item	Part No.	Description	Qty.	Item	Part No.	Description	Qty.
--		Ref. Word Decal Kits <i>(refer to 109.1)</i>		21	97719	DECAL, LABEL, SAFETY ARM SYMB.....	1
1	28174	DECAL,POWER TO PLATFORM 230V.....	1	22	114202	DECAL,LABEL,TRANSPORT TIE 68.....	2
2	28175	DECAL,COMPARTMENT ACCESS.....	1	23	114385	DECAL,DANGER,ELEC HAZARD,GS.....	1
3	28235	DECAL,POWER TO PLATFORM 115V.....	1	24	114386	DECAL,DANGER-GEN SAFETY.....	1
4	28373	DECAL,FORK LIFT POCKET.....	2	25	229827	DECAL,WARNING,HOT SURFACE.....	1
5	31508	DECAL,DANGER,ELECT HAZARD,PLUG.....	1	26	230804	DECAL,NOTICE,TIRE SPECS, REAR..... <i>(non-steer end)</i>	1
6	38149	DECAL,LABEL,PATENTS..... <i>(US Only)</i>	1	27	236415	DECAL, GROUND CONTROL PANEL, G.....	1
7	44255	DECAL,DANGER,CRUSHING HAZARD.....	2	28	237125	DECAL,LABEL,WHEEL LD,GS3369DC.....	3
8	44981	DECAL,LABEL,AIRLINE 110 PSI..... <i>(option)</i>	1	29	237130	DECAL,NOTICE,TIRE SPECS, FRONT..... <i>(steer end)</i>	2
9	52475	DECAL,LABEL,TRANSPORT TIEDOWN*.....	1	30	237132	DECAL,GRND OPS INSTRUCT,GS69DC.....	1
10	52865	DECAL,ANNUAL INSP***.....	1	31	237926	DECAL,LABEL,OUTRIGGER LD..... <i>(option)</i>	2
11	72086	DECAL,LABEL,LIFTING EYE.....	1				
12	72186	DECAL,WARNING,CRUSHING HAZARD.....	2				
13	72970	DECAL,INSTRUCTIONS-CHARGER OP.....	1				
14	72998	DECAL,LABEL,QUINTOLUBRIK..... <i>(For models with Quintolub hydraulic oil only)</i>	1				
15	72999	DECAL,LABEL,PETRO CANADA***..... <i>(For models with Petro Canada hydraulic oil only)</i>	1				
16	82160	DECAL,LABEL,STATOIL HYDRA WAY..... <i>(For models with Statoil hydraulic oil only)</i>	1				
17	82161	DECAL,LABEL,UCON HYDROLUBE..... <i>(For models with Ucon Hydrolube hydraulic oil only)</i>	1				
18	82366	DECAL,CHEVRON RANDO HD..... <i>(For models with Chevron Rando hydraulic oil only)</i>	1				
19	82558	DECAL,SKIN INJECTION.....	1				
20	82561	DECAL,DANGER-USE SAFETY ARM.....	1				

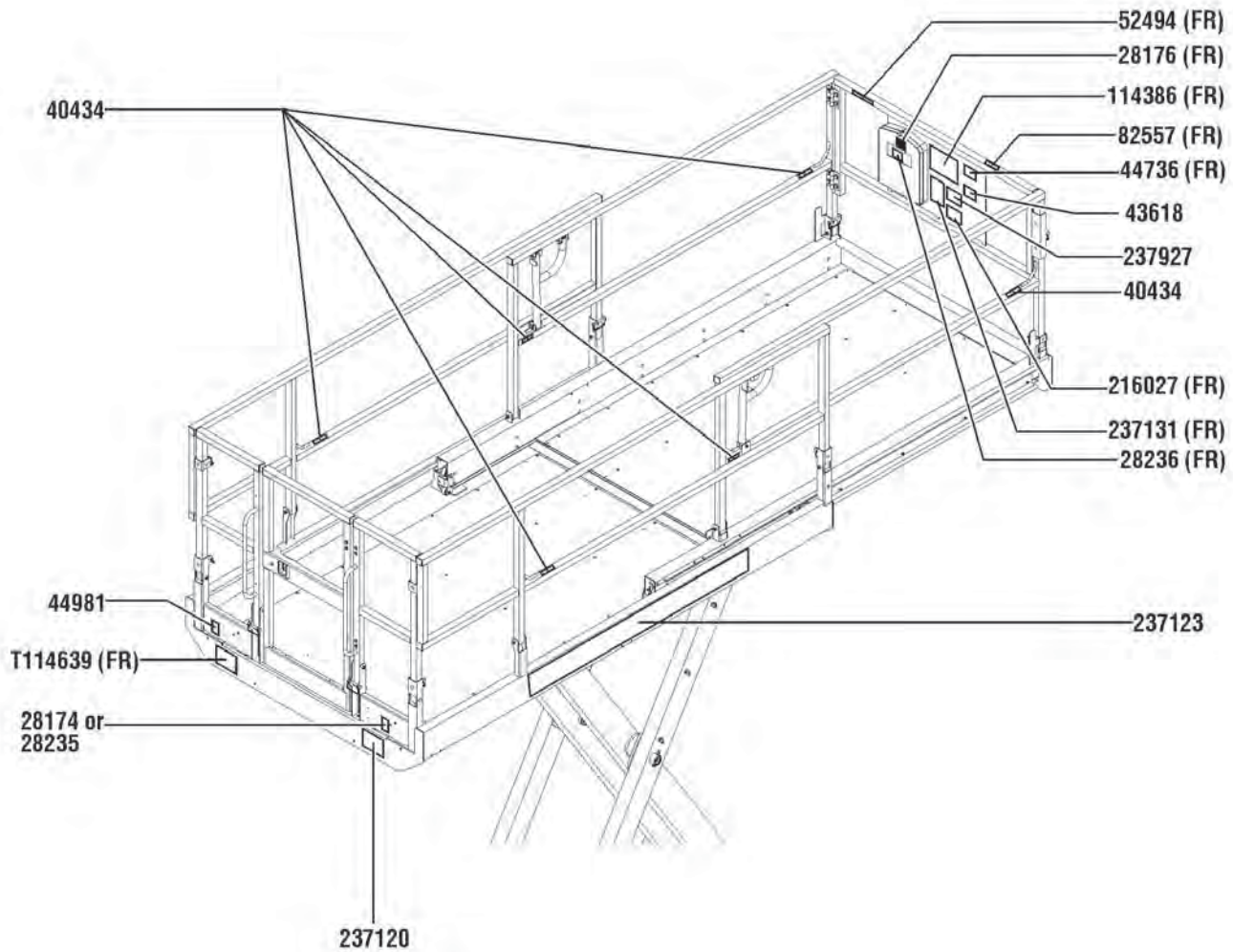
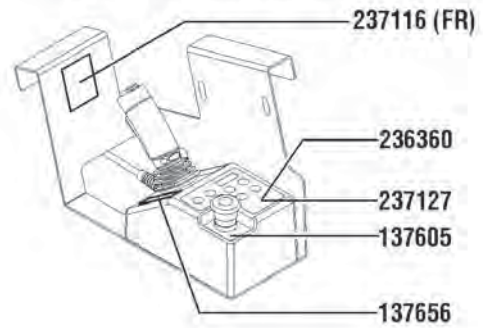


Platform, ANSI/CSA models

NOTE:
Part numbers with "(FR)" indicates French translation is available

☐ Shading indicates decal is hidden from view.

Platform Controls



111.1 Decals with Words, GS-3369, Platform, ANSI & CSA

Item	Part No.	Description	Qty.
--		Ref. Word Decal Kits <i>(refer to 109.1)</i>	
1	28174	DECAL,POWER TO PLATFORM 230V.....	1
2	28176	DECAL,LABEL,MANUAL NOT HERE.....	1
3	28235	DECAL,POWER TO PLATFORM 115V.....	1
4	28236	DECAL,WARN,IMPROPER OPERATION.....	1
5	40434	DECAL,LANYARD ANCHORAGE POINT.....	6
6	43618	DECAL,LABEL-DIRECTION ARROWS.....	1
7	44736	DECAL,DANGER,TIP-OVER,TILT....	1
8	44981	DECAL,LABEL,AIRLINE 110 PSI.... <i>(option)</i>	1
9	52494	DECAL,CAUTION,CRUSH HAZ, RAILS.....	1
10	82557	DECAL,LABEL,PLAT CONT LOCATION.....	1
11	114386	DECAL,DANGER-GEN SAFETY.....	1
12	137605	DECAL,E-STOP,GR/GRC/GS PCON.....	1
13	137656	DECAL,PROPEL,GR/GRC/GS,PCON.	1
14	216027	DECAL,DANGER-RUNAWAY HAZARD,SLOPE.....	1
15	236360	DECAL, UI, GS69DC,PCON.....	1
16	237116	DECAL,LABEL,FAULT CODES,69DC.....	1
17	237120	DECAL,NOTICE,SIDE FRC GS3369DC.....	1
18	237123	DECAL,COSMETIC GENIE GS-3369DC.....	1
19	237127	DECAL,UI,GS69DC W/OR,PCON.... <i>(option)</i>	1
20	237131	DECAL,PLAT OPS INSTRUCT,GS69DC..... <i>(ANSI & CSA models only)</i>	1
21	237927	DECAL,DANGER,OUTRIGGER SAFETY..... <i>(option)</i>	1
22	T114639	DECAL,NOTICE,MAX CAP,GS3369.....	1



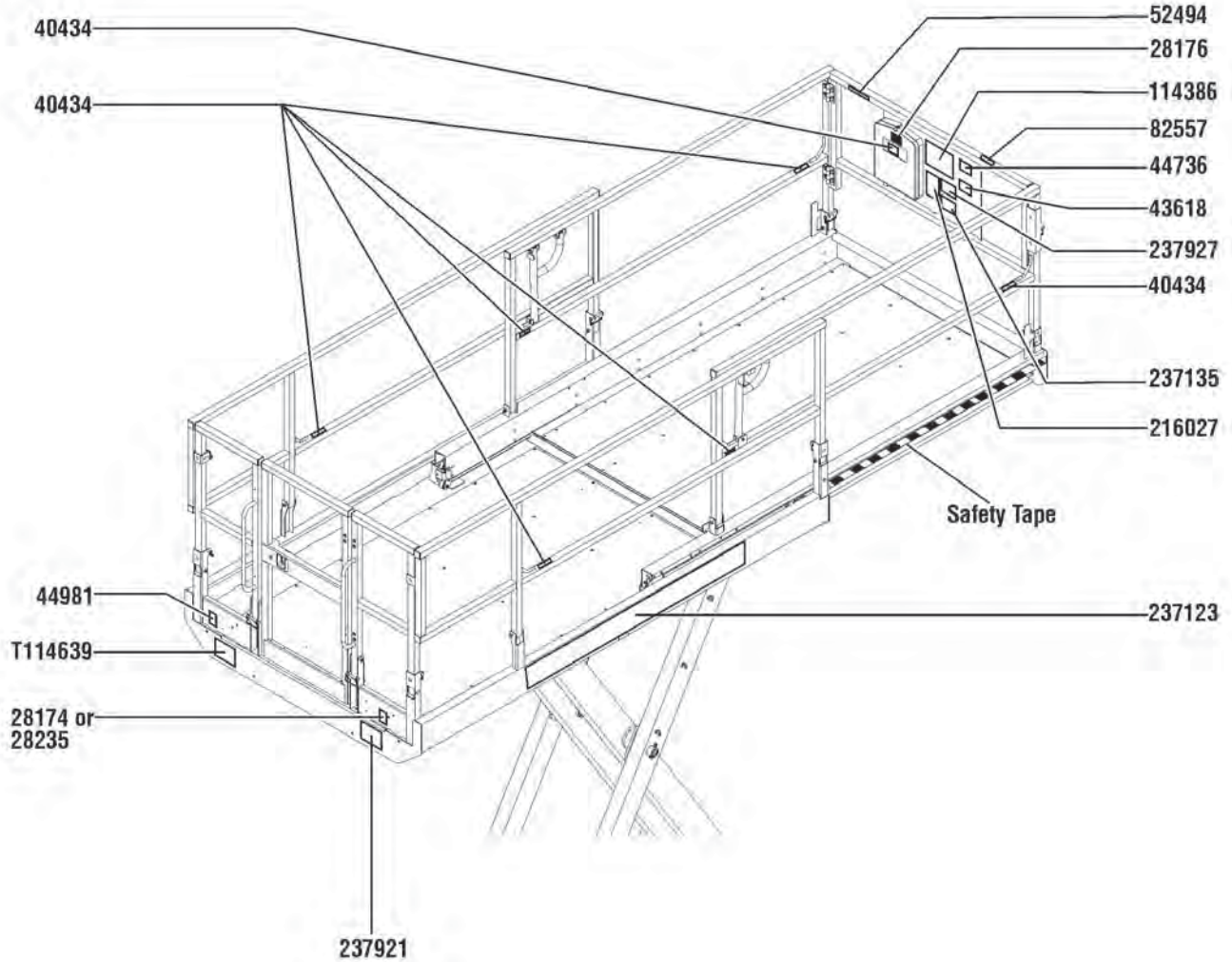
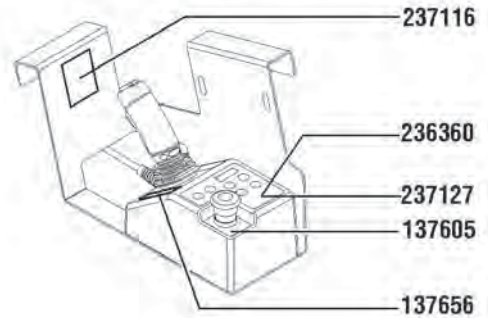
112.1 Decals with Words, GS-3369, Platform, AUS

Platform, Australia models

NOTE:
Part numbers with "(FR)" indicates French translation is available

■ Shading indicates decal is hidden from view.

Platform Controls



112.1 Decals with Words, GS-3369, Platform, AUS

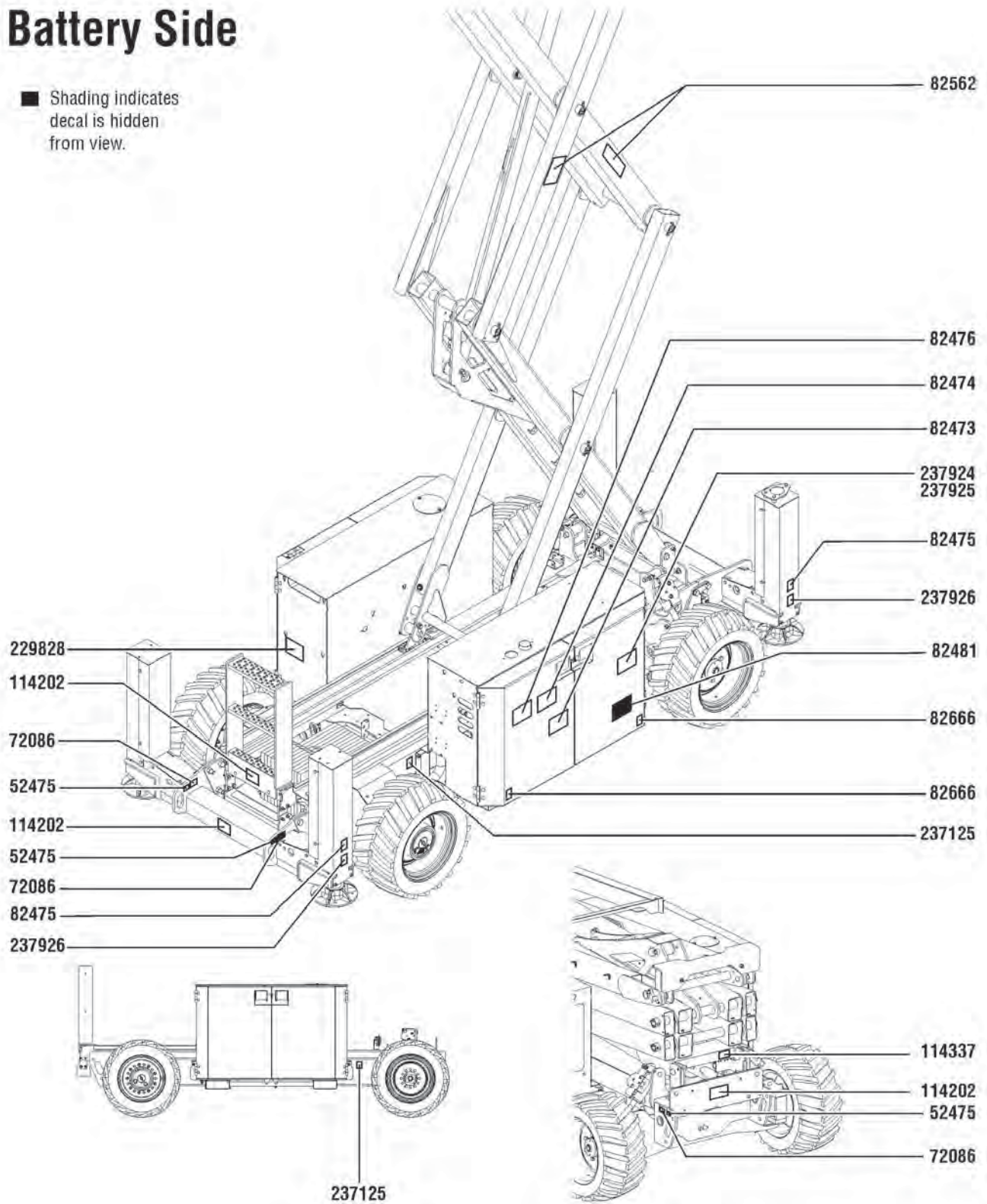
Item	Part No.	Description	Qty.
--		Ref. Word Decal Kits <i>(refer to 109.1)</i>	
1	28174	DECAL,POWER TO PLATFORM 230V.....	1
2	28176	DECAL,LABEL,MANUAL NOT HERE.....	1
3	28235	DECAL,POWER TO PLATFORM 115V.....	1
4	28236	DECAL,WARN,IMPROPER OPERATION.....	1
5	40434	DECAL,LANYARD ANCHORAGE POINT.....	6
6	43618	DECAL,LABEL-DIRECTION ARROWS.....	1
7	44736	DECAL,DANGER,TIP-OVER,TILT....	1
8	44981	DECAL,LABEL,AIRLINE 110 PSI.... <i>(option)</i>	1
9	52494	DECAL,CAUTION,CRUSH HAZ, RAILS.....	1
10	82557	DECAL,LABEL,PLAT CONT LOCATION.....	1
11	114386	DECAL,DANGER-GEN SAFETY.....	1
12	137605	DECAL,E-STOP,GR/GRC/GS PCON.....	1
13	137656	DECAL,PROPEL,GR/GRC/GS,PCON.	1
14	216027	DECAL,DANGER-RUNAWAY HAZARD,SLOPE.....	1
15	236360	DECAL, UI, GS69DC,PCON.....	1
16	237116	DECAL,LABEL,FAULT CODES,69DC.....	1
17	237123	DECAL,COSMETIC GENIE GS-3369DC.....	1
18	237127	DECAL,UI,GS69DC W/OR,PCON.... <i>(option)</i>	1
19	237135	DECAL,PLAT OPS INSTRUCT,GS69DC..... <i>(Australia models only)</i>	1
20	237921	DECAL,NOTICE,SIDE FRC GS3369DC..... <i>(option)</i>	1
21	237927	DECAL,DANGER,OUTRIGGER SAFETY.....	1
22	T114639	DECAL,NOTICE,MAX CAP,GS3369.....	1



113.1 Decals with Symbols, GS-3369, Battery Side

Battery Side

■ Shading indicates decal is hidden from view.



113.1 Decals with Symbols, GS-3369, Battery Side

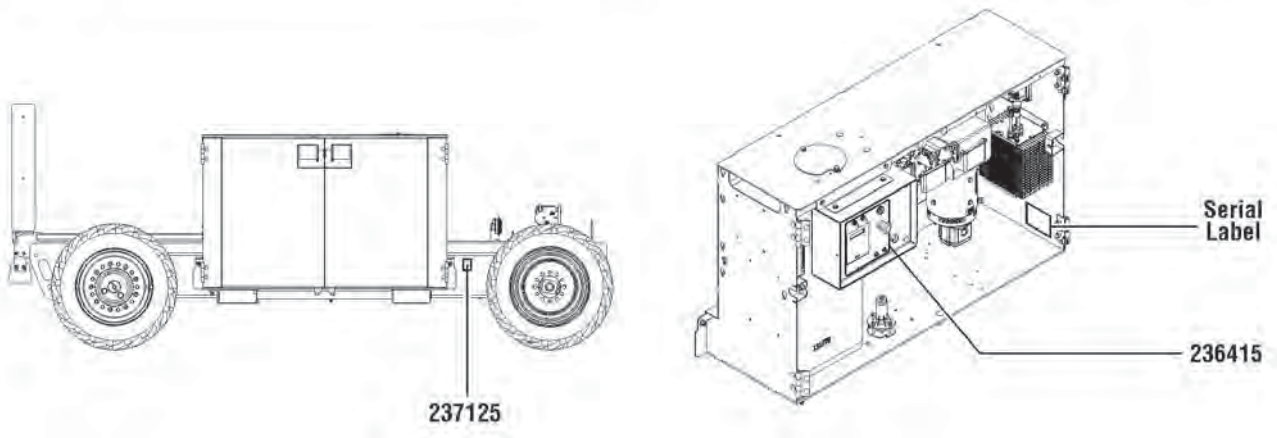
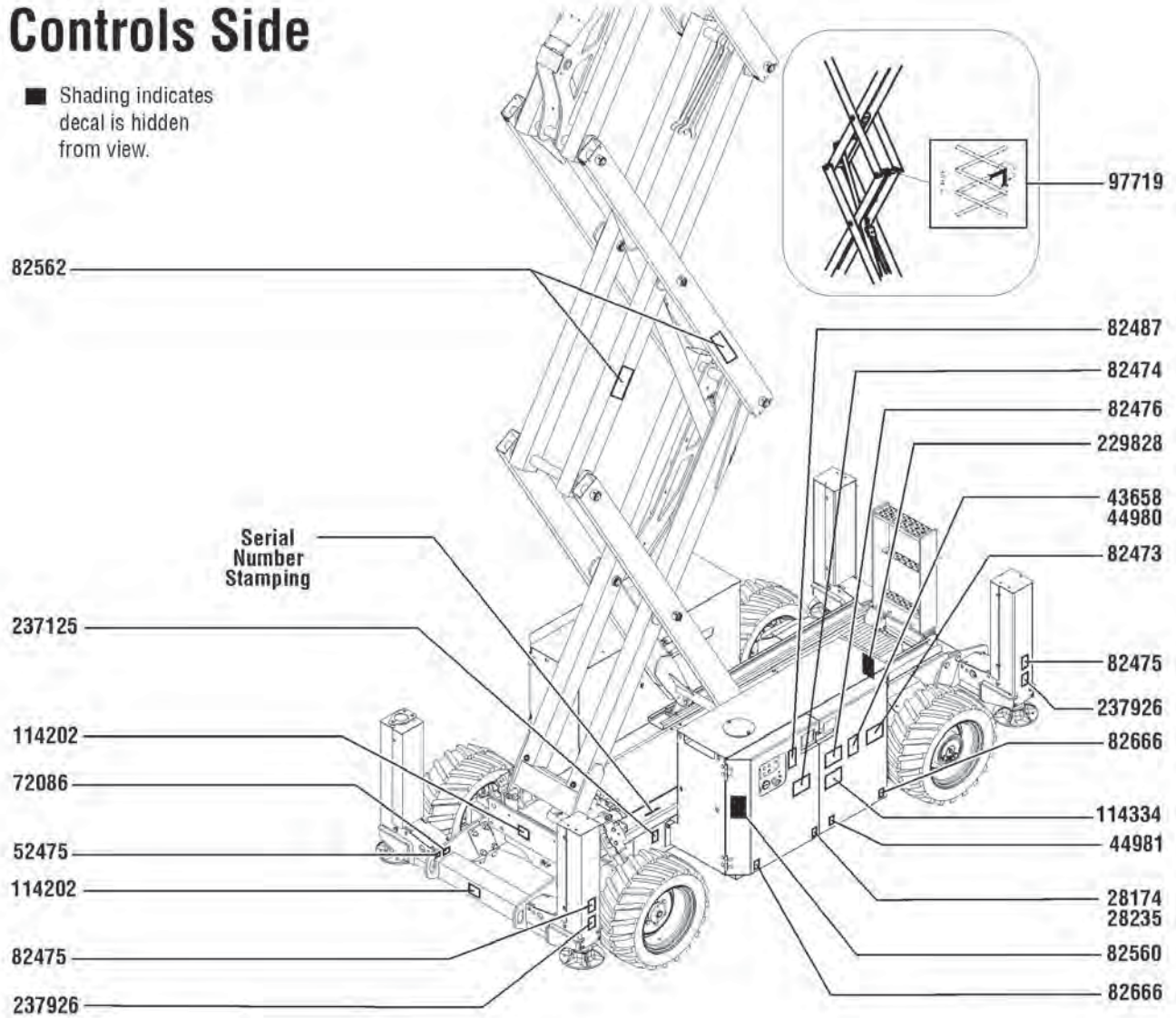
Item	Part No.	Description	Qty.
--	216833	DECAL KIT,3369DC COMP,SYM,ANSI <i>(Decal kit, complete for ANSI models only)</i>	
--	216881	DECAL KIT,3369DC PLAT,SYM,ANSI <i>(Decal kit, platform for ANSI models only)</i>	
--	216885	DECAL KIT,3369DC COMP,SYM,CE <i>(Decal kit, complete for CE models only)</i>	
--	216886	DECAL KIT,3369DC PLAT,SYM,CE <i>(Decal kit, platform for CE models only)</i>	
1	52475	DECAL,LABEL,TRANSPORT TIEDOWN*.....	3
2	72086	DECAL,LABEL,LIFTING EYE.....	3
3	82473	DECAL,SYMBOL-COMP ACCESS.....	1
4	82474	DECAL,SYMBOL-USE SAFETY ARM.....	1
5	82475	DECAL,SYMBOL-FOOT CRUSHING.....	2
6	82476	DECAL,SYMBOL-ELEC HAZARD,GS.....	1
7	82481	DECAL,SYMBOL-BATTERY SAFETY.....	1
8	82562	DECAL,SYMBOL-CRUSHING HAZARD.....	2
9	82666	DECAL,LABEL,FORKLIFT POCKET.....	2
10	114202	DECAL,LABEL,TRANSPORT TIE 68.....	3
11	114337	DECAL,SYM-TIP-OVR,LIM SWITCH.....	1
12	229828	DECAL,LABEL,HOT,SYMBOL.....	1
13	237125	DECAL,LABEL,WHEEL LD,GS3369DC.....	2
14	237924	DECAL,DNGR-TIP-OVR,BATT,J305CE.1 <i>(option)</i>	1
15	237925	DECAL,DNGR-TIP-OVR,BATT,T105CE.1 <i>GS-2669 DC and GS-3369 DC ONLY</i>	1
16	237926	DECAL,LABEL,OUTRIGGER LD..... <i>(option)</i>	2



114.1 Decals with Symbols, GS-3369, Controls Side

Controls Side

■ Shading indicates decal is hidden from view.



114.1 Decals with Symbols, GS-3369, Controls Side

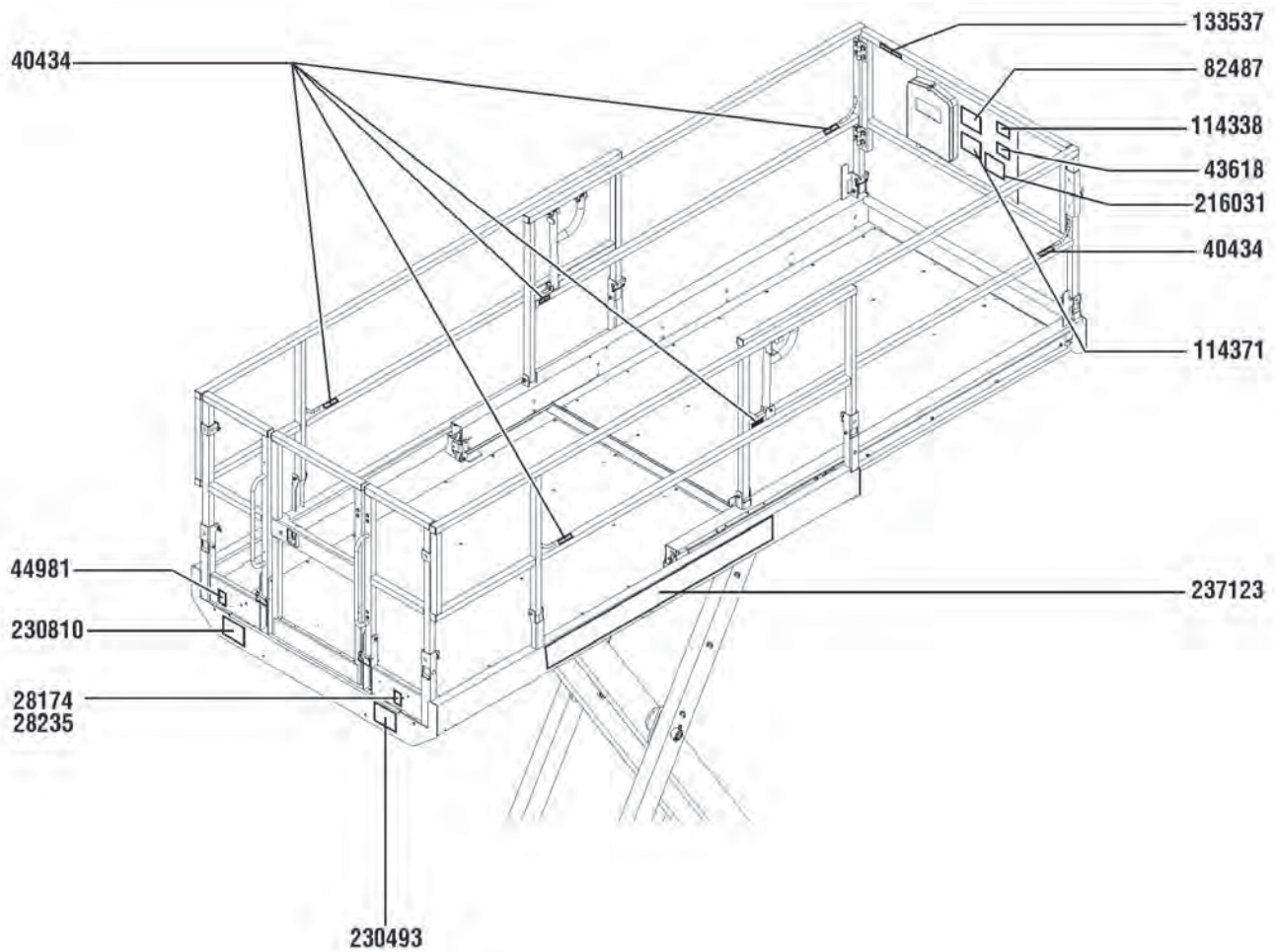
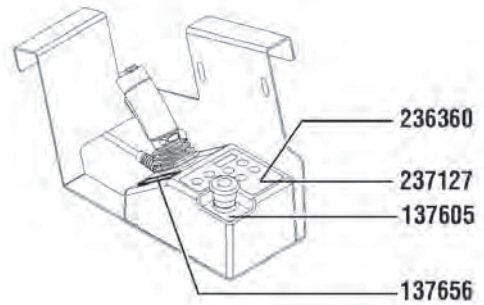
Item	Part No.	Description	Qty.
--		Ref. Symbol Decal Kits (refer to 113.1)	
1	28174	DECAL,POWER TO PLATFORM 230V.....	1
2	28235	DECAL,POWER TO PLATFORM 115V.....	1
3	43658	DECAL,LABEL,PWR TO CHARGR 230V.....	1
		(option)	
4	44980	DECAL,LABEL,PWR TO CHARGR 115V.....	1
		(option)	
5	44981	DECAL,LABEL,AIRLINE 110 PSI.....	1
		(option)	
6	52475	DECAL,LABEL,TRANSPORT TIEDOWN*.....	1
7	72086	DECAL,LABEL,LIFTING EYE.....	1
8	82473	DECAL,SYMBOL-COMP ACCESS.....	1
9	82474	DECAL,SYMBOL-USE SAFETY ARM.....	1
10	82475	DECAL,SYMBOL-FOOT CRUSHING.....	2
11	82476	DECAL,SYMBOL-ELEC HAZARD,GS.....	1
12	82487	DECAL,SYMBOL-READ THE MANUAL.....	1
13	82560	DECAL,SYMBOL-SKIN INJECT HAZRD.....	1
14	82562	DECAL,SYMBOL-CRUSHING HAZARD.....	2
15	82666	DECAL,LABEL,FORKLIFT POCKET.....	2
16	97719	DECAL, LABEL, SAFETY ARM SYMB.....	1
17	114202	DECAL,LABEL,TRANSPORT TIE 68.....	2
18	114334	DECAL,SYM-ELEC HAZARD,PLUG.....	1
19	229828	DECAL,LABEL,HOT,SYMBOL.....	1
20	236415	DECAL, GROUND CONTROL PANEL, G.....	1
21	237125	DECAL,LABEL,WHEEL LD,GS3369DC.....	2
22	237926	DECAL,LABEL,OUTRIGGER LD.....	2
		(option)	



Platform ANSI models

■ Shading indicates decal is hidden from view.

Platform Controls



115.1 Decals with Symbols, GS-3369, Platform, Asia & S. America

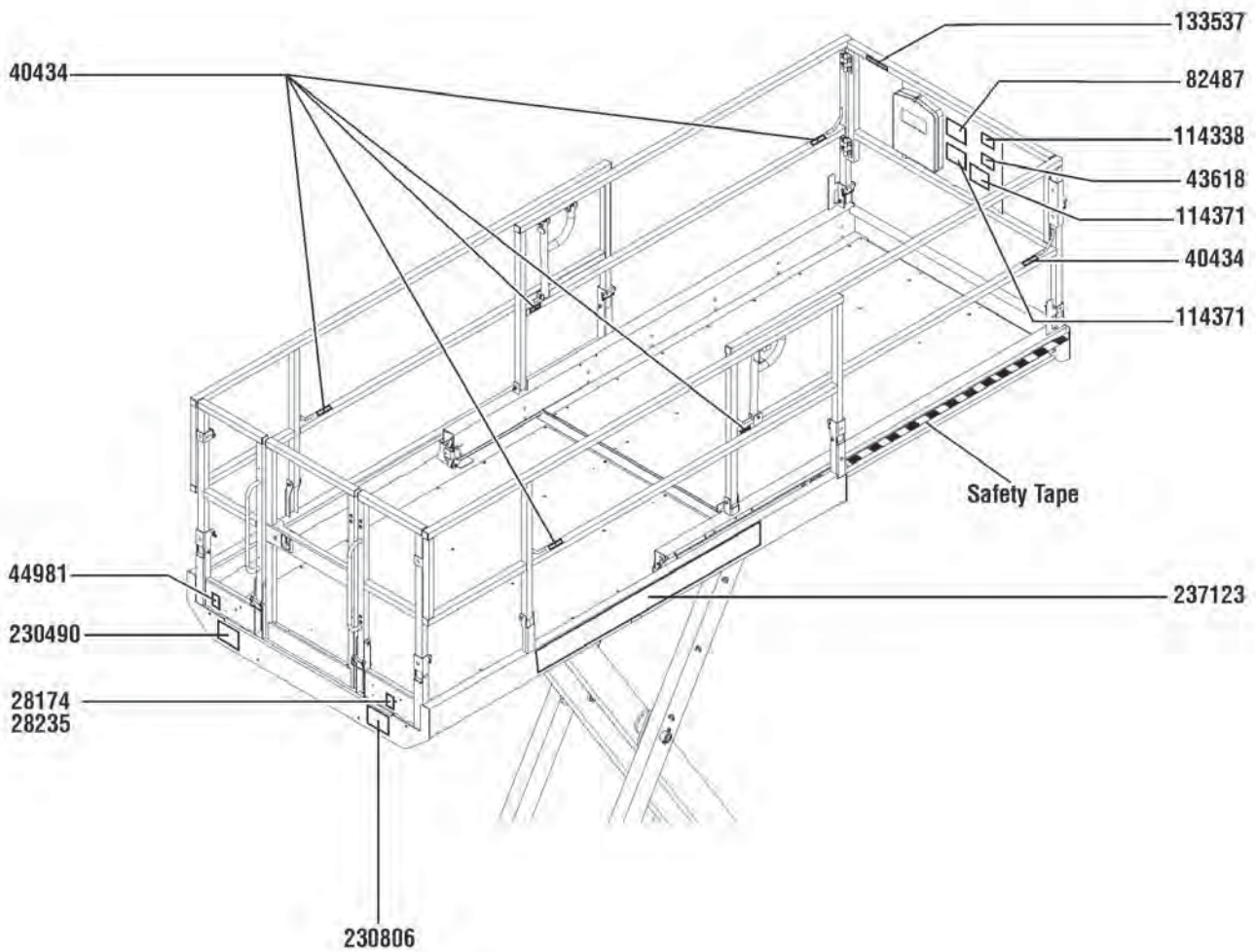
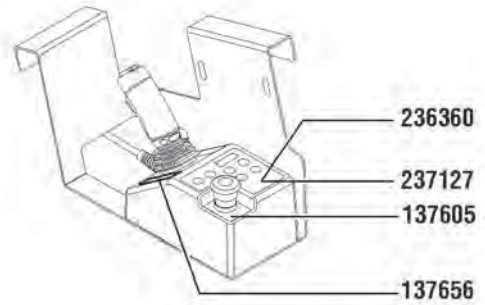
Item	Part No.	Description	Qty.
--		Ref. Symbol Decal Kits <i>(refer to 113.1)</i>	
1	28174	DECAL,POWER TO PLATFORM 230V.....	1
2	28235	DECAL,POWER TO PLATFORM 115V.....	1
3	40434	DECAL,LANYARD ANCHORAGE POINT.....	6
4	43618	DECAL,LABEL-DIRECTION ARROWS.....	1
5	44981	DECAL,LABEL,AIRLINE 110 PSI.... <i>(option)</i>	1
6	82487	DECAL,SYMBOL-READ THE MANUAL.....	1
7	114338	DECAL,SYM-TIP-OVR,TILT ALARM.....	1
8	114371	DECAL,SYM-TIP-OVER,OUTRGR..	1
9	133537	DECAL,CRUSH HAZ RAILS SYMB.....	1
10	137605	DECAL,E-STOP,GR/GRC/GS PCON.....	1
11	137656	DECAL,PROPEL,GR/GRC/GS,PCON.	1
12	216031	DECAL,DANGER-RUNAWAY HAZARD,SLOPE.....	1
13	230493	DECAL,DANGER,SIDE FRC,GS3369.....	1
14	230810	DECAL,NOTICE,MAX CAP GS3369.....	1
15	236360	DECAL, UI, GS69DC,PCON.....	1
16	237123	DECAL,COSMETIC GENIE GS-3369DC..... <i>(option)</i>	1
17	237127	DECAL,UI,GS69DC W/OR,PCON....	1



Platform CE models

■ Shading indicates decal is hidden from view.

Platform Controls



116.1 Decals with Symbols, GS-3369, Platform, CE

Item	Part No.	Description	Qty.
--		Ref. Symbol Decal Kits <i>(refer to 113.1)</i>	
1	28174	DECAL,POWER TO PLATFORM 230V.....	1
2	28235	DECAL,POWER TO PLATFORM 115V.....	1
3	40434	DECAL,LANYARD ANCHORAGE POINT.....	6
4	43618	DECAL,LABEL-DIRECTION ARROWS.....	1
5	44981	DECAL,LABEL,AIRLINE 110 PSI.... <i>(option)</i>	1
6	82487	DECAL,SYMBOL-READ THE MANUAL.....	1
7	114338	DECAL,SYM-TIP-OVR,TILT ALARM.....	1
8	114371	DECAL,SYM-TIP-OVER,OUTRGR..	1
9	133537	DECAL,CRUSH HAZ RAILS SYMB.....	1
10	137605	DECAL,E-STOP,GR/GRC/GS PCON.....	1
11	137656	DECAL,PROPEL,GR/GRC/GS,PCON.	1
12	216031	DECAL,DANGER-RUNAWAY HAZARD,SLOPE.....	1
13	230490	DECAL,NOTICE,MAX CAP GS3369.....	1
14	230806	DECAL,DANGER,MAN FRC, GS3369.....	1
15	236360	DECAL, UI, GS69DC,PCON.....	1
16	237123	DECAL,COSMETIC GENIE GS-3369DC.....	1
17	237127	DECAL,UI,GS69DC W/OR,PCON.... <i>(option)</i>	1

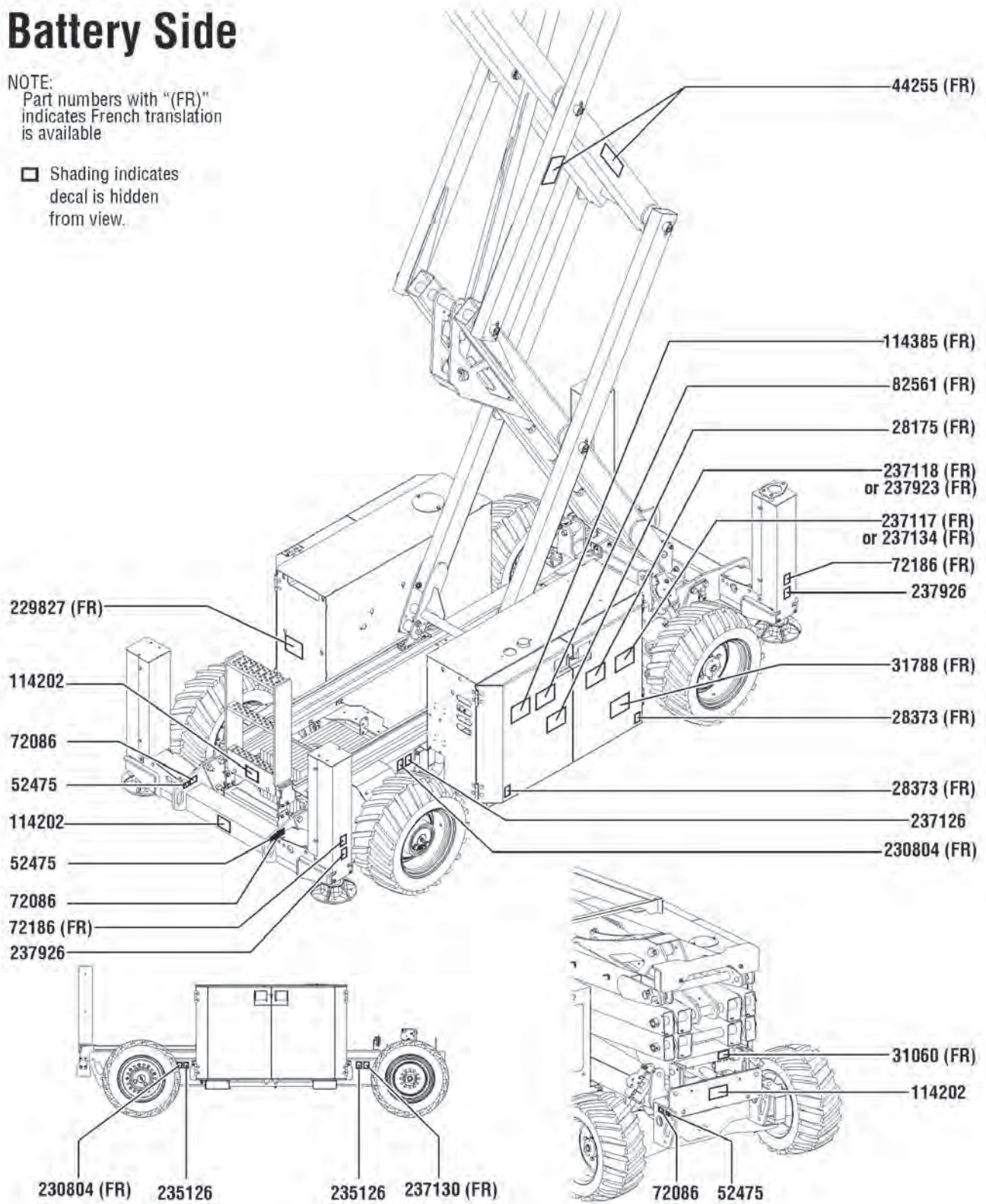


117.1 Decals with Words, GS-4069, Battery Side

Battery Side

NOTE:
Part numbers with "(FR)" indicates French translation is available

☐ Shading indicates decal is hidden from view.



117.1 Decals with Words, GS-4069, Battery Side

Item	Part No.	Description	Qty.	Item	Part No.	Description	Qty.
--	216830	DECAL KIT,4069DC COMP,WRD,ANSI <i>(Decal kit, complete for ANSI models only)</i>		18	237926	DECAL,LABEL,OUTRIGGER LD.....2 <i>(option)</i>	
--	216831	DECAL KIT,4069DC PLAT,WRD,ANSI <i>(Decal kit, platform for ANSI models only)</i>					
--	216878	DECAL KIT,4069DC COMP,WRD,AUS <i>(Decal kit, complete for AUS models only)</i>					
--	216879	DECAL KIT,4069DC PLAT,WRD,AUS <i>(Decal kit, platform for AUS models only)</i>					
1	28175	DECAL,COMPARTMENT ACCESS.....	1				
2	28373	DECAL,FORK LIFT POCKET.....	2				
3	31060	DECAL,DANGER DO NOT ALTER SWTC.....	1				
4	31788	DECAL,DANGER,BATTERY SAFETY***	1				
5	44255	DECAL,DANGER,CRUSHING HAZARD.....	2				
6	52475	DECAL,LABEL,TRANSPORT TIEDOWN*	3				
7	72086	DECAL,LABEL,LIFTING EYE.....	3				
8	72186	DECAL,WARNING,CRUSHING HAZARD.....	2				
9	82561	DECAL,DANGER-USE SAFETY ARM.....	1				
10	114202	DECAL,LABEL,TRANSPORT TIE 68.....	3				
11	114385	DECAL,DANGER,ELEC HAZARD,GS.....	1				
12	229827	DECAL,WARNING,HOT SURFACE.....	1				
13	230804	DECAL,NOTICE,TIRE SPECS, REAR..... <i>(non-steer end)</i>	1				
14	237117	DECAL,DANGER-TIP-OVR,BATT,J305	1				
15	237118	DECAL,BATT CONN DIAGRAM,J305.....	1				
16	237126	DECAL,LABEL,WHEEL LD,GS4069DC.....	2				
17	237130	DECAL,NOTICE,TIRE SPECS, FRONT..... <i>(steer end)</i>	1				

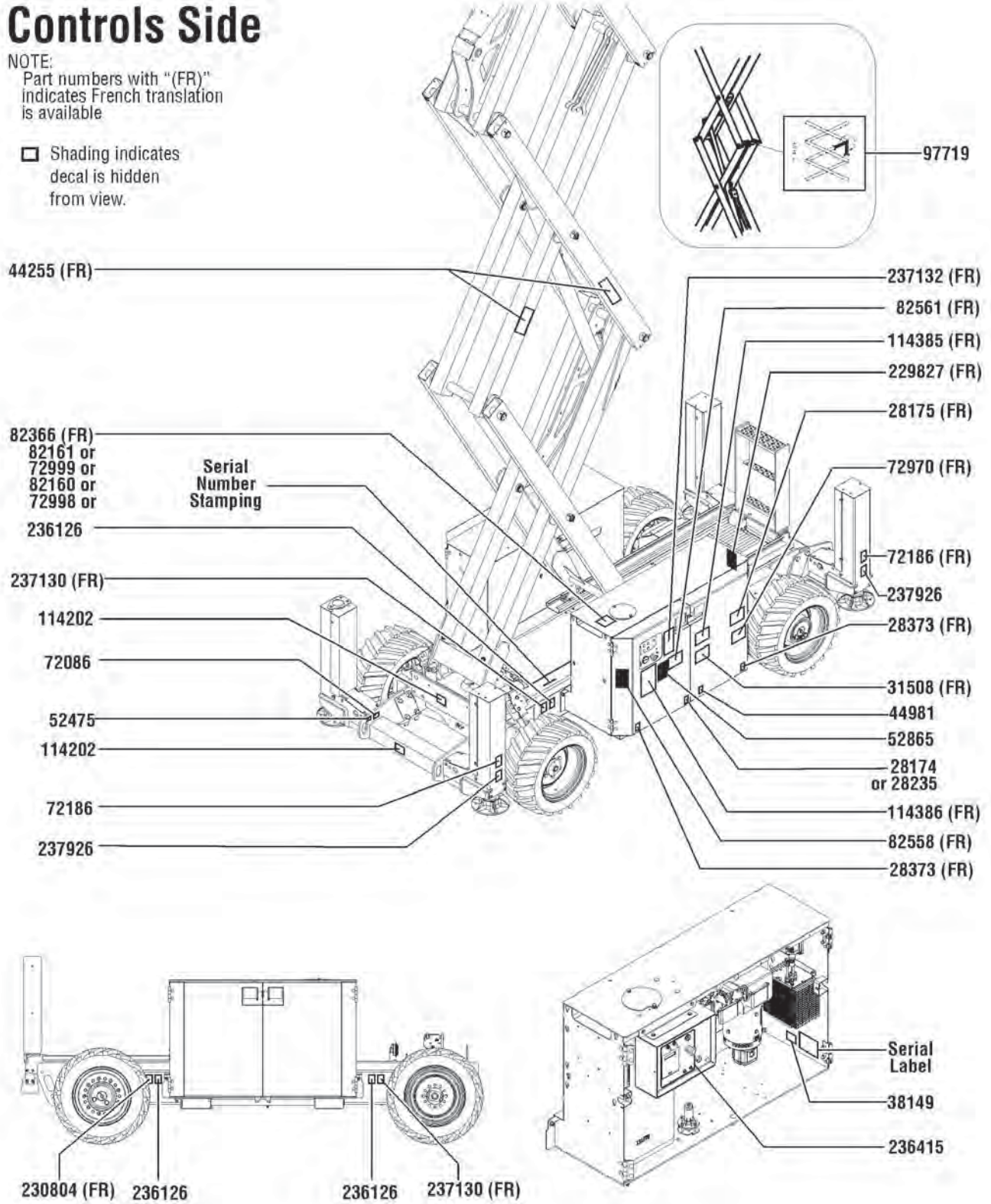


118.1 Decals with Words, GS-4069, Controls Side

Controls Side

NOTE:
Part numbers with "(FR)" indicates French translation is available

Shading indicates decal is hidden from view.



118.1 Decals with Words, GS-4069, Controls Side

Item	Part No.	Description	Qty.	Item	Part No.	Description	Qty.
--		Ref. Word Decal Kits <i>(refer to 117.1)</i>		21	97719	DECAL, LABEL, SAFETY ARM SYMB.....	1
1	28174	DECAL,POWER TO PLATFORM 230V.....	1	22	114202	DECAL,LABEL,TRANSPORT TIE 68.....	2
2	28175	DECAL,COMPARTMENT ACCESS.....	1	23	114385	DECAL,DANGER,ELEC HAZARD,GS.....	1
3	28235	DECAL,POWER TO PLATFORM 115V.....	1	24	114386	DECAL,DANGER-GEN SAFETY.....	1
4	28373	DECAL,FORK LIFT POCKET.....	2	25	229827	DECAL,WARNING,HOT SURFACE.....	1
5	31508	DECAL,DANGER,ELECT HAZARD,PLUG.....	1	26	230804	DECAL,NOTICE,TIRE SPECS, REAR..... <i>(non-steer end)</i>	1
6	38149	DECAL,LABEL,PATENTS..... <i>(US Only)</i>	1	27	236126	DECAL,LABEL,WHEEL LD,GS4069DC.....	3
7	44255	DECAL,DANGER,CRUSHING HAZARD.....	1	28	236415	DECAL, GROUND CONTROL PANEL, G.....	1
8	44981	DECAL,LABEL,AIRLINE 110 PSI.....	1	29	237130	DECAL,NOTICE,TIRE SPECS, FRONT..... <i>(steer end)</i>	2
9	52475	DECAL,LABEL,TRANSPORT TIEDOWN*.....	1	30	237132	DECAL,GRND OPS INSTRUCT,GS69DC.....	1
10	52865	DECAL,ANNUAL INSP***.....	1	31	237926	DECAL,LABEL,OUTRIGGER LD..... <i>(option)</i>	2
11	72086	DECAL,LABEL,LIFTING EYE.....	1				
12	72186	DECAL,WARNING,CRUSHING HAZARD.....	2				
13	72970	DECAL,INSTRUCTIONS-CHARGER OP.....	1				
14	72998	DECAL,LABEL,QUINTOLUBRIK..... <i>(For models with Quintolub hydraulic oil only)</i>	1				
15	72999	DECAL,LABEL,PETRO CANADA***..... <i>(For models with Petro Canada hydraulic oil only)</i>	1				
16	82160	DECAL,LABEL,STATOIL HYDRA WAY..... <i>(For models with Statoil hydraulic oil only)</i>	1				
17	82161	DECAL,LABEL,UCON HYDROLUBE..... <i>(For models with Ucon Hydrolube hydraulic oil only)</i>	1				
18	82366	DECAL,CHEVRON RANDO HD..... <i>(For models with Chevron Rando hydraulic oil only)</i>	1				
19	82558	DECAL,SKIN INJECTION.....	1				
20	82561	DECAL,DANGER-USE SAFETY ARM.....	1				

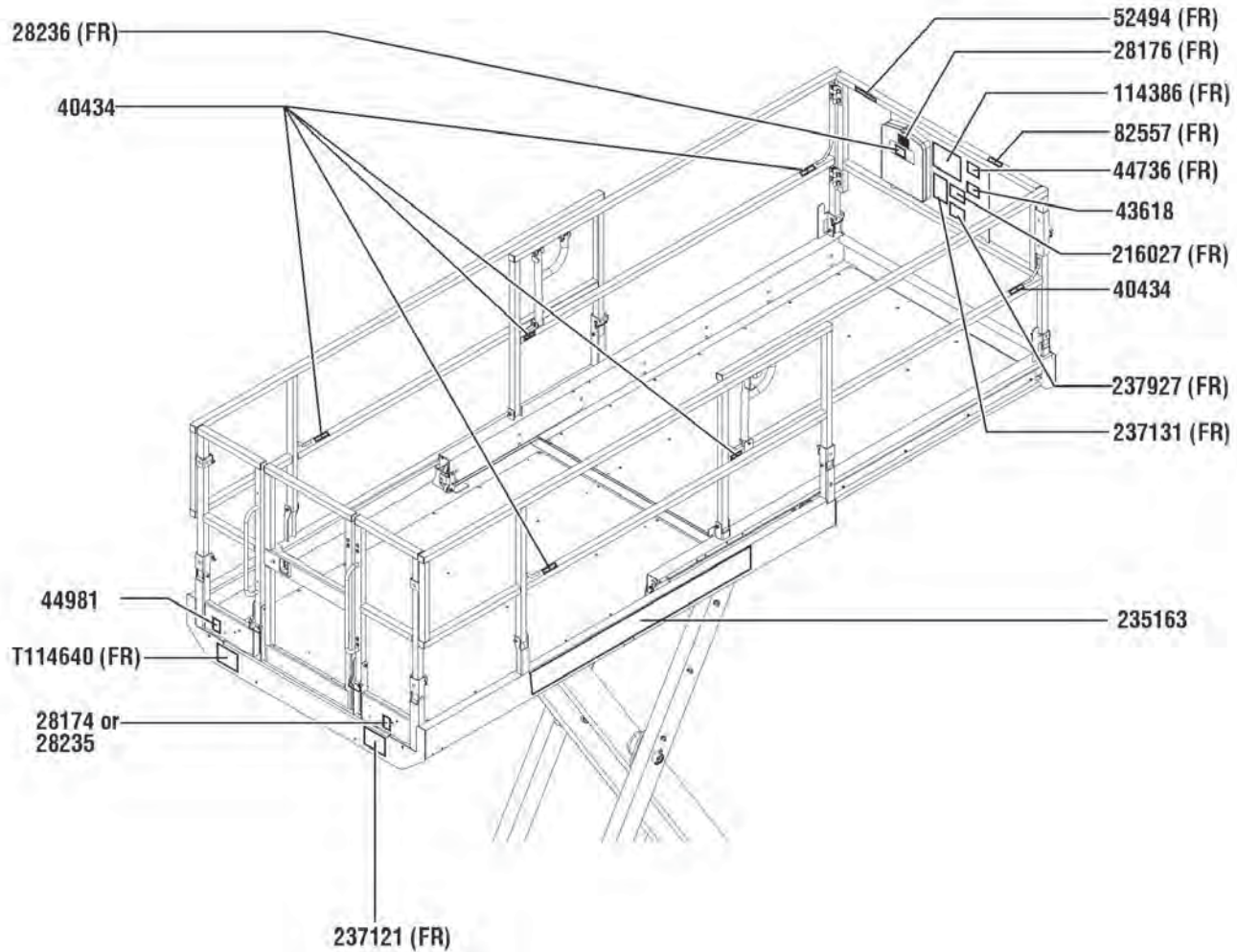
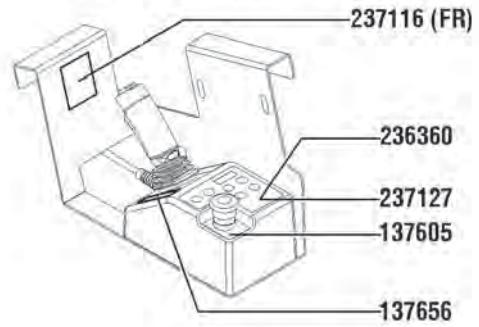


Platform, ANSI/CSA models

NOTE:
Part numbers with "(FR)" indicates French translation is available

☐ Shading indicates decal is hidden from view.

Platform Controls



119.1 Decals with Words, GS-4069, Platform, ANSI & CSA

Item	Part No.	Description	Qty.
--		Ref. Word Decal Kits <i>(refer to 117.1)</i>	
1	28174	DECAL,POWER TO PLATFORM 230V.....	1
2	28176	DECAL,LABEL,MANUAL NOT HERE.....	1
3	28235	DECAL,POWER TO PLATFORM 115V.....	1
4	28236	DECAL,WARN,IMPROPER OPERATION.....	1
5	40434	DECAL,LANYARD ANCHORAGE POINT.....	6
6	43618	DECAL,LABEL-DIRECTION ARROWS.....	1
7	44736	DECAL,DANGER,TIP-OVER,TILT....	1
8	44981	DECAL,LABEL,AIRLINE 110 PSI.... <i>(option)</i>	1
9	52494	DECAL,CAUTION,CRUSH HAZ, RAILS.....	1
10	82557	DECAL,LABEL,PLAT CONT LOCATION.....	1
11	114386	DECAL,DANGER-GEN SAFETY.....	1
12	137605	DECAL,E-STOP,GR/GRC/GS PCON.....	1
13	137656	DECAL,PROPEL,GR/GRC/GS,PCON.	1
14	216027	DECAL,DANGER-RUNAWAY HAZARD,SLOPE.....	1
15	235163	DECAL COSMETIC,GS4069DC.....	1
16	236360	DECAL, UI, GS69DC,PCON.....	1
17	237116	DECAL,LABEL,FAULT CODES,69DC.....	1
18	237121	DECAL,NOTICE,SIDE FRC GS4069DC.....	1
19	237127	DECAL,UI,GS69DC W/OR,PCON.... <i>(option)</i>	1
20	237131	DECAL,PLAT OPS INSTRUCT,GS69DC.....	1
21	237927	DECAL,DANGER,OUTRIGGER SAFETY..... <i>(option)</i>	1
22	T114640	DECAL,NOTICE,MAX CAP GS4069.....	1

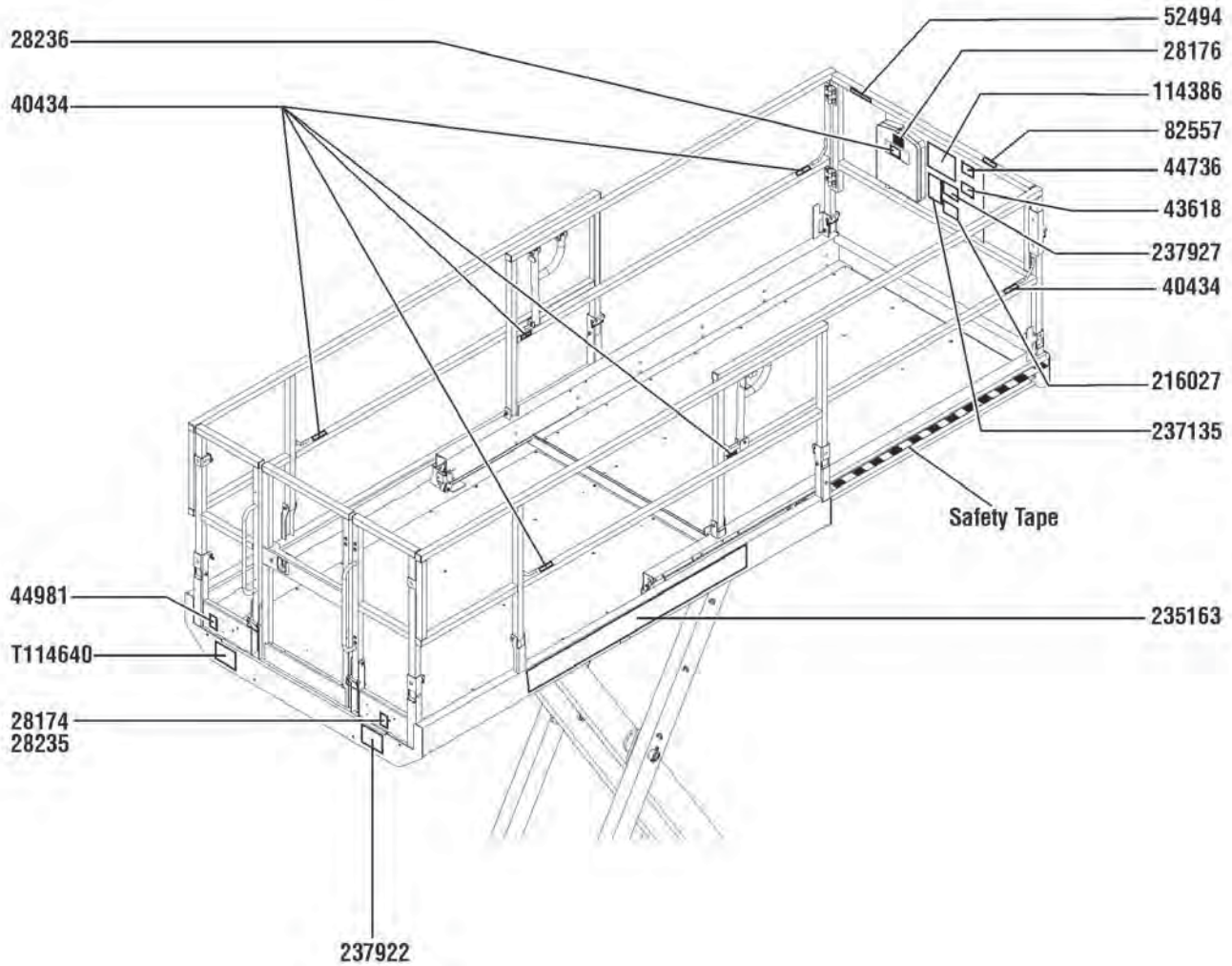
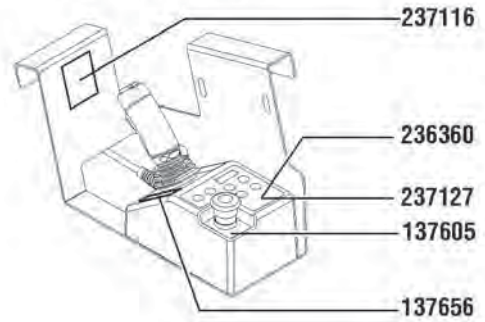


Platform, Australia models

NOTE:
Part numbers with "(FR)" indicates French translation is available

■ Shading indicates decal is hidden from view.

Platform Controls



120.1 Decals with Words, GS-4069, Platform, AUS

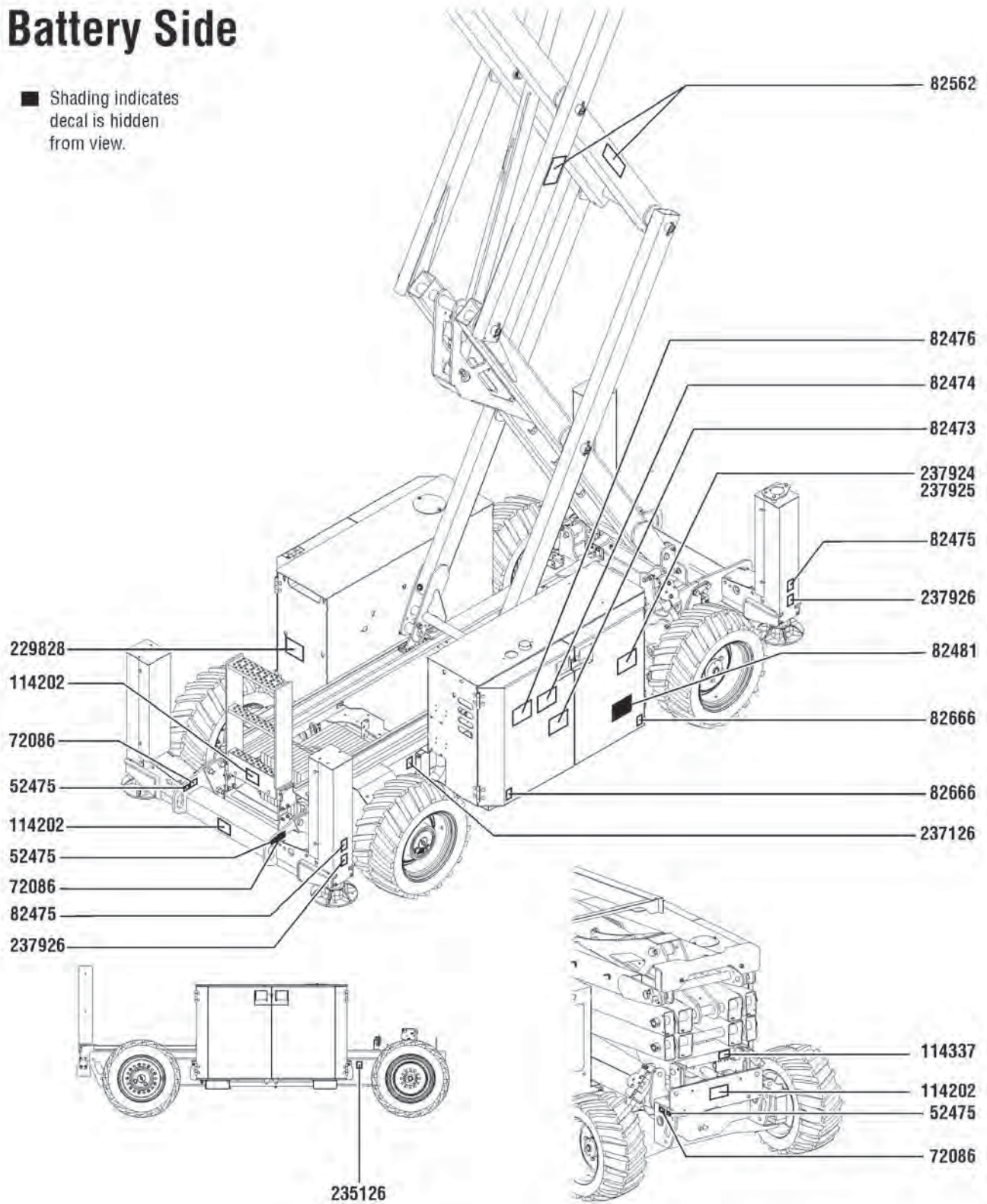
Item	Part No.	Description	Qty.
--		Ref. Word Decal Kits <i>(refer to 117.1)</i>	
1	28174	DECAL,POWER TO PLATFORM 230V.....	1
2	28176	DECAL,LABEL,MANUAL NOT HERE.....	1
3	28235	DECAL,POWER TO PLATFORM 115V.....	1
4	28236	DECAL,WARN,IMPROPER OPERATION.....	1
5	40434	DECAL,LANYARD ANCHORAGE POINT.....	6
6	43618	DECAL,LABEL-DIRECTION ARROWS.....	1
7	44736	DECAL,DANGER,TIP-OVER,TILT....	1
8	44981	DECAL,LABEL,AIRLINE 110 PSI.... <i>(option)</i>	1
9	52494	DECAL,CAUTION,CRUSH HAZ, RAILS.....	1
10	82557	DECAL,LABEL,PLAT CONT LOCATION.....	1
11	114386	DECAL,DANGER-GEN SAFETY.....	1
12	137605	DECAL,E-STOP,GR/GRC/GS PCON.....	1
13	137656	DECAL,PROPEL,GR/GRC/GS,PCON.	1
14	216027	DECAL,DANGER-RUNAWAY HAZARD,SLOPE.....	1
15	236360	DECAL, UI, GS69DC,PCON.....	1
16	237116	DECAL,LABEL,FAULT CODES,69DC.....	1
17	235163	DECAL COSMETIC,GS4069DC.....	1
18	237127	DECAL,UI,GS69DC W/OR,PCON.... <i>(option)</i>	1
19	237135	DECAL,PLAT OPS INSTRUCT,GS69DC..... <i>(AUS models only)</i>	1
20	237922	DECAL,NOTICE,SIDE FRC GS4069DC.....	1
21	237927	DECAL,DANGER,OUTRIGGER SAFETY..... <i>(option)</i>	1
22	T114640	DECAL,NOTICE,MAX CAP GS4069.....	1



121.1 Decals with Symbols, GS-4069, Battery Side

Battery Side

■ Shading indicates decal is hidden from view.



121.1 Decals with Symbols, GS-4069, Battery Side

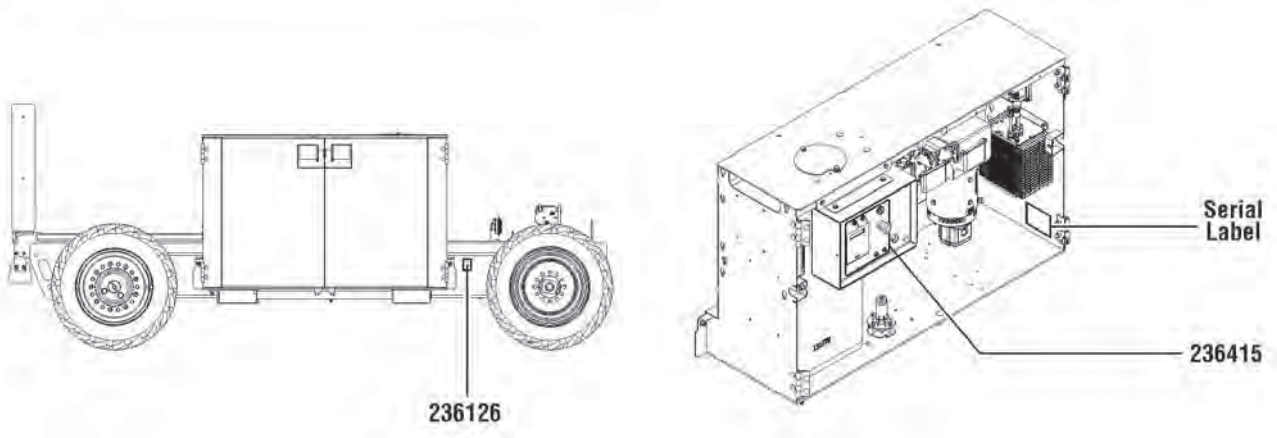
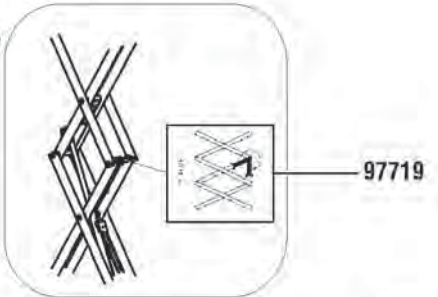
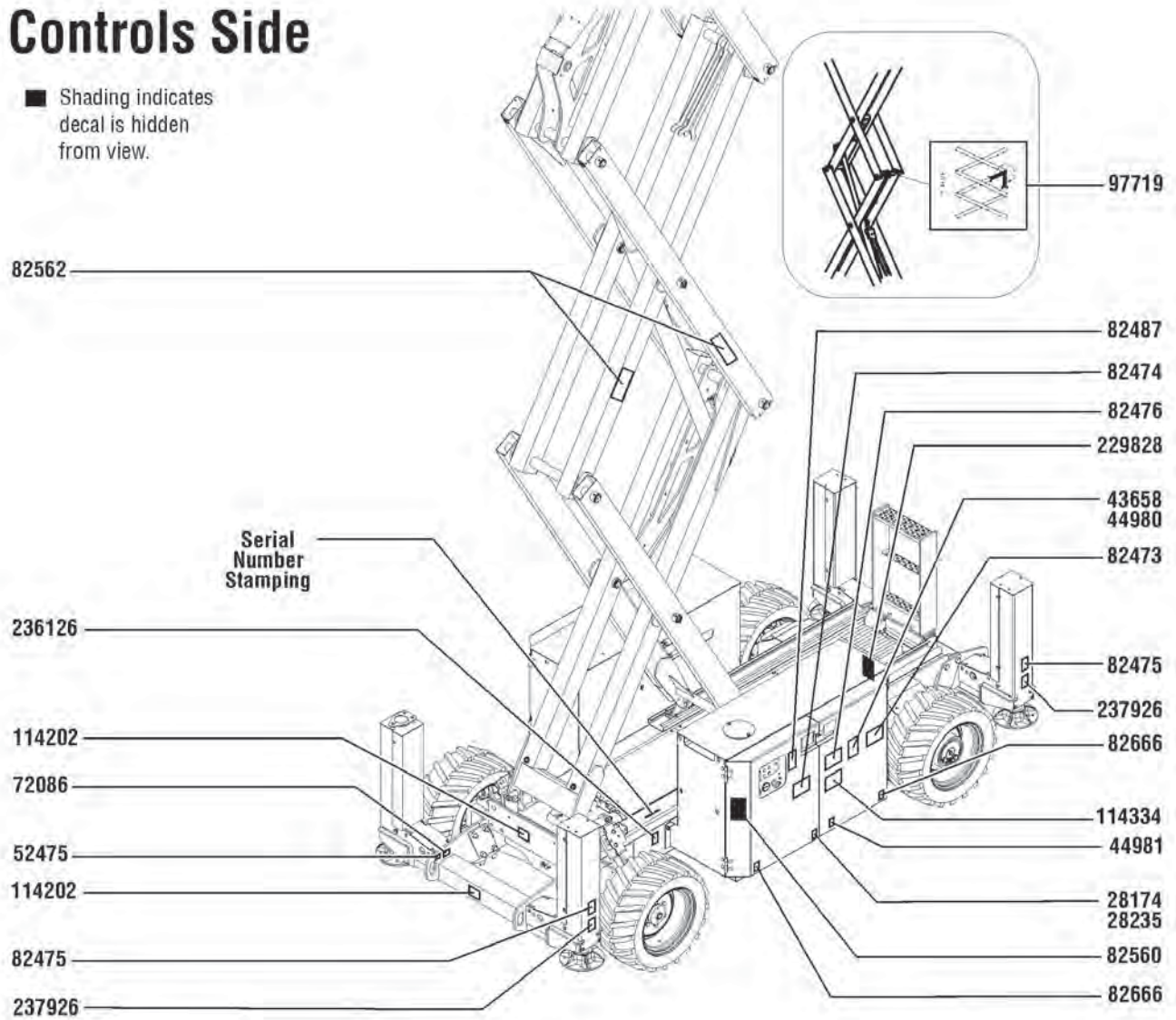
Item	Part No.	Description	Qty.
--	216834	DECAL KIT,4069DC COMP,SYM,ANSI <i>(Decal kit, complete for ANSI models only)</i>	
--	216882	DECAL KIT,4069DC PLAT,SYM,ANSI <i>(Decal kit, platform for ANSI models only)</i>	
--	216887	DECAL KIT,4069DC COMP,SYM,CE <i>(Decal kit, complete for CE models only)</i>	
--	216888	DECAL KIT,4069DC PLAT,SYM,CE <i>(Decal kit, platform for CE models only)</i>	
1	52475	DECAL,LABEL,TRANSPORT TIEDOWN*.....	3
2	72086	DECAL,LABEL,LIFTING EYE.....	3
3	82473	DECAL,SYMBOL-COMP ACCESS.....	1
4	82474	DECAL,SYMBOL-USE SAFETY ARM.....	1
5	82475	DECAL,SYMBOL-FOOT CRUSHING.....	2
6	82476	DECAL,SYMBOL-ELEC HAZARD,GS.....	1
7	82481	DECAL,SYMBOL-BATTERY SAFETY.....	1
8	82562	DECAL,SYMBOL-CRUSHING HAZARD.....	2
9	82666	DECAL,LABEL,FORKLIFT POCKET.....	2
10	114202	DECAL,LABEL,TRANSPORT TIE 68.....	3
11	114337	DECAL,SYM-TIP-OVR,LIM SWITCH.....	1
12	229828	DECAL,LABEL,HOT,SYMBOL.....	1
13	237126	DECAL,LABEL,WHEEL LD,GS4069DC.....	1
14	237924	DECAL,DNGR-TIP-OVR,BATT,J305CE.	1
15	237926	DECAL,LABEL,OUTRIGGER LD..... <i>(option)</i>	2



122.1 Decals with Symbols, GS-4069, Controls Side

Controls Side

■ Shading indicates decal is hidden from view.



122.1 Decals with Symbols, GS-4069, Controls Side

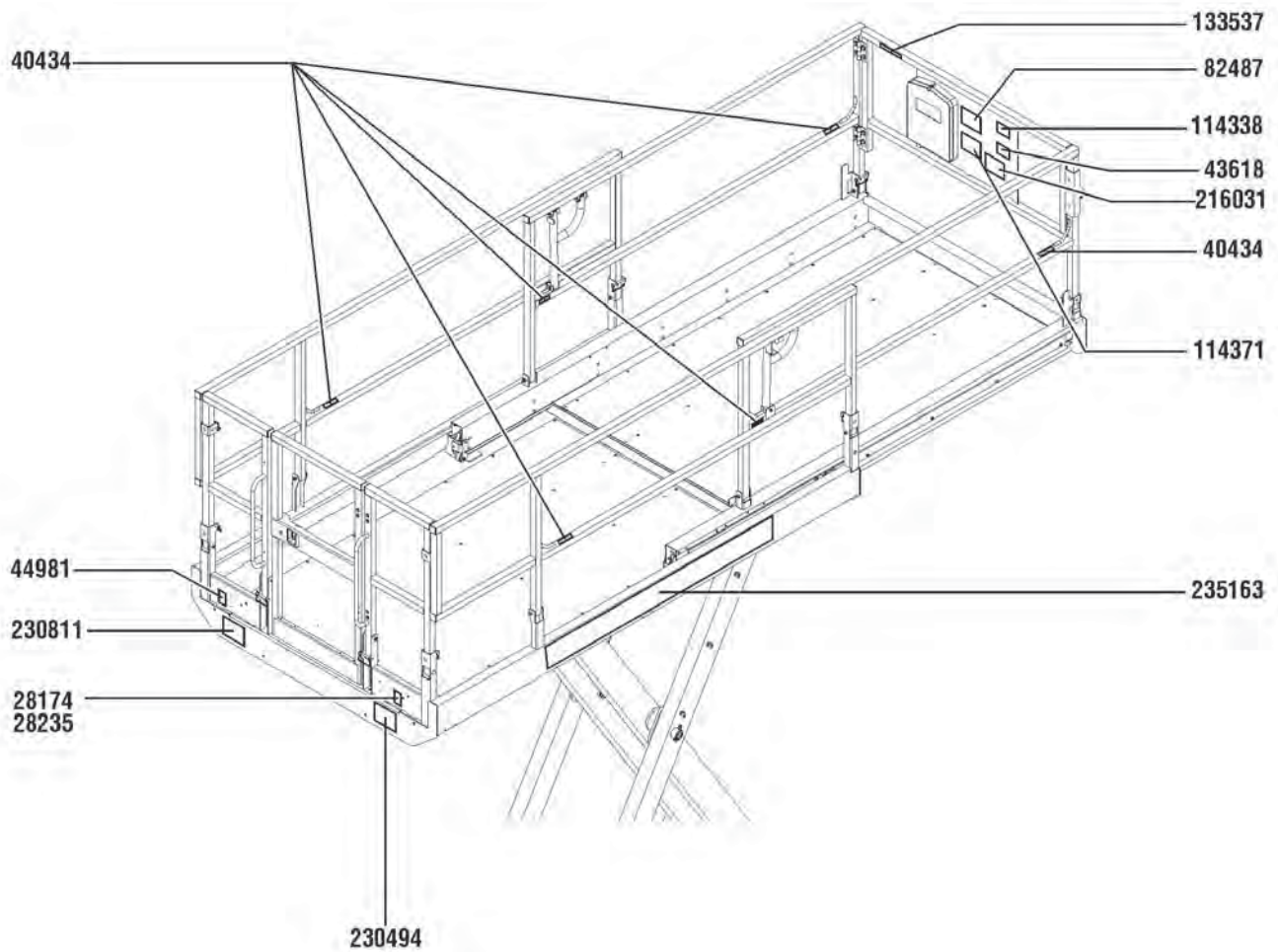
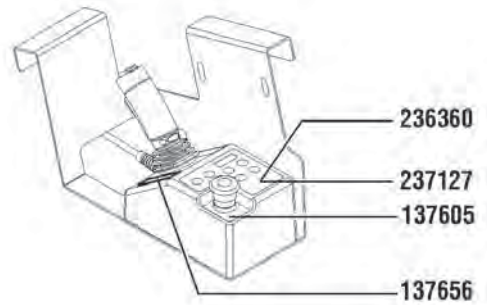
Item	Part No.	Description	Qty.
--		Ref. Symbol Decal Kits <i>(refer to 121.1)</i>	
1	28174	DECAL,POWER TO PLATFORM 230V.....	1
2	28235	DECAL,POWER TO PLATFORM 115V.....	1
3	43658	DECAL,LABEL,PWR TO CHARGR 230V.....	1
		<i>(option)</i>	
4	44980	DECAL,LABEL,PWR TO CHARGR 115V.....	1
		<i>(option)</i>	
5	44981	DECAL,LABEL,AIRLINE 110 PSI.....	1
		<i>(option)</i>	
6	52475	DECAL,LABEL,TRANSPORT TIEDOWN*.....	1
7	72086	DECAL,LABEL,LIFTING EYE.....	1
8	82473	DECAL,SYMBOL-COMP ACCESS.....	1
9	82474	DECAL,SYMBOL-USE SAFETY ARM.....	1
10	82475	DECAL,SYMBOL-FOOT CRUSHING.....	2
		<i>(option)</i>	
11	82476	DECAL,SYMBOL-ELEC HAZARD,GS.....	1
12	82487	DECAL,SYMBOL-READ THE MANUAL.....	1
13	82560	DECAL,SYMBOL-SKIN INJECT HAZRD.....	1
14	82562	DECAL,SYMBOL-CRUSHING HAZARD.....	2
15	82666	DECAL,LABEL,FORKLIFT POCKET.....	2
16	97719	DECAL, LABEL, SAFETY ARM SYMB.....	1
17	114202	DECAL,LABEL,TRANSPORT TIE 68.....	2
18	114334	DECAL,SYM-ELEC HAZARD,PLUG.....	1
19	229828	DECAL,LABEL,HOT,SYMBOL.....	1
20	236126	DECAL,LABEL,WHEEL LD,GS4069DC.....	2
21	236415	DECAL, GROUND CONTROL PANEL, G.....	1
22	237926	DECAL,LABEL,OUTRIGGER LD.....	2
		<i>(option)</i>	



Platform ANSI models

■ Shading indicates decal is hidden from view.

Platform Controls



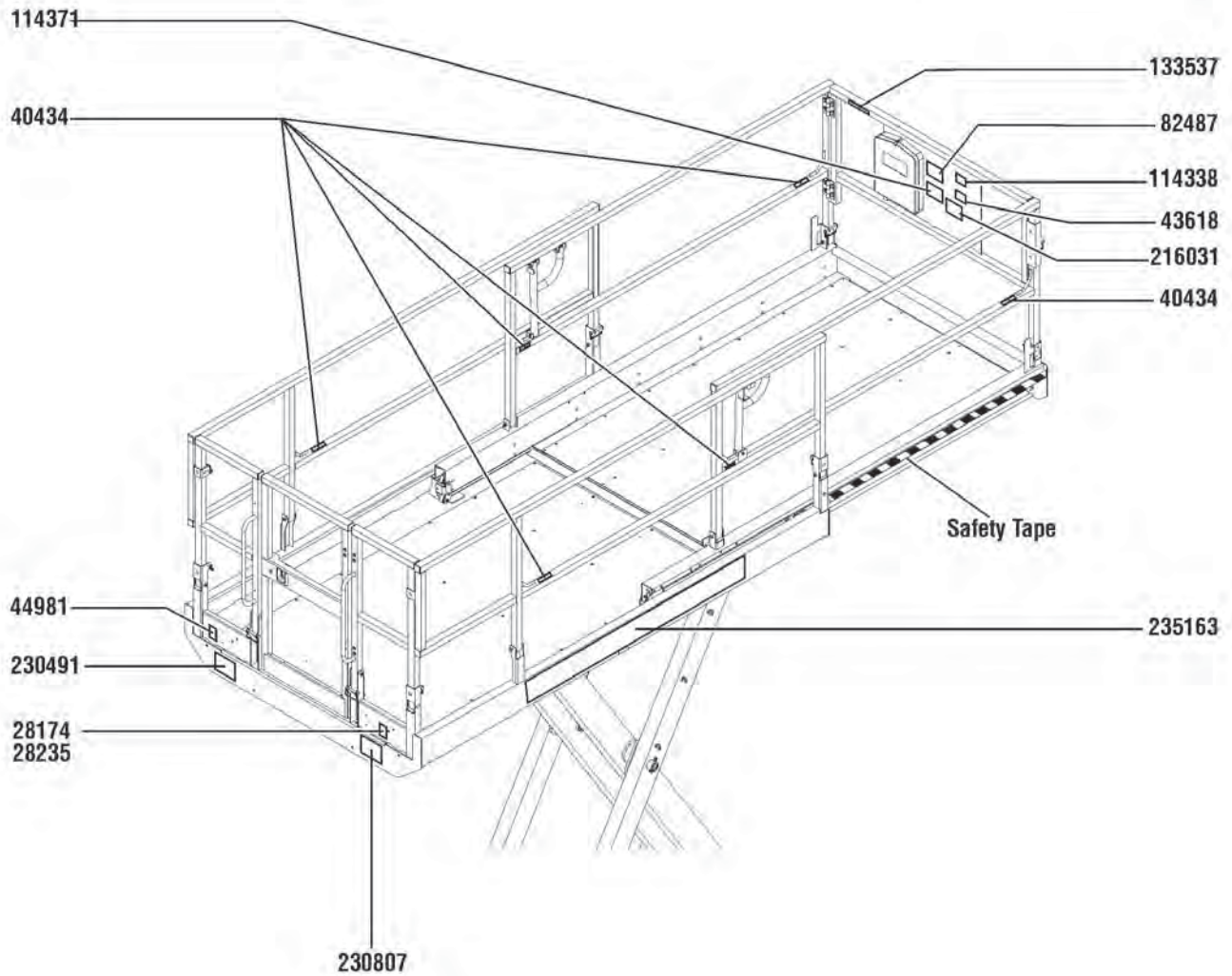
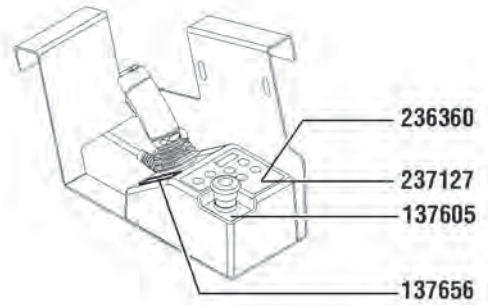
123.1 Decals with Symbols, GS-4069, Platform, Asia & S. America

Item	Part No.	Description	Qty.
--		Ref. Symbol Decal Kits <i>(refer to 121.1)</i>	
1	28174	DECAL,POWER TO PLATFORM 230V.....	1
2	28235	DECAL,POWER TO PLATFORM 115V.....	1
3	40434	DECAL,LANYARD ANCHORAGE POINT.....	6
4	43618	DECAL,LABEL-DIRECTION ARROWS.....	1
5	44981	DECAL,LABEL,AIRLINE 110 PSI..... <i>(option)</i>	1
6	82487	DECAL,SYMBOL-READ THE MANUAL.....	1
7	114338	DECAL,SYM-TIP-OVR,TILT ALARM.....	1
8	114371	DECAL,SYM-TIP-OVER,OUTRGR.. <i>(option)</i>	1
9	133537	DECAL,CRUSH HAZ RAILS SYMB.....	1
10	137605	DECAL,E-STOP,GR/GRC/GS PCON.....	1
11	137656	DECAL,PROPEL,GR/GRC/GS,PCON.	1
12	230494	DECAL,DANGER,SIDE FRC,GS4069.....	1
13	230811	DECAL,NOTICE,MAX CAP GS4069.....	1
14	235163	DECAL COSMETIC,GS4069DC.....	1
15	236360	DECAL, UI, GS69DC,PCON.....	1
16	237127	DECAL,UI,GS69DC W/OR,PCON.... <i>(option)</i>	1

Platform CE models

■ Shading indicates decal is hidden from view.

Platform Controls

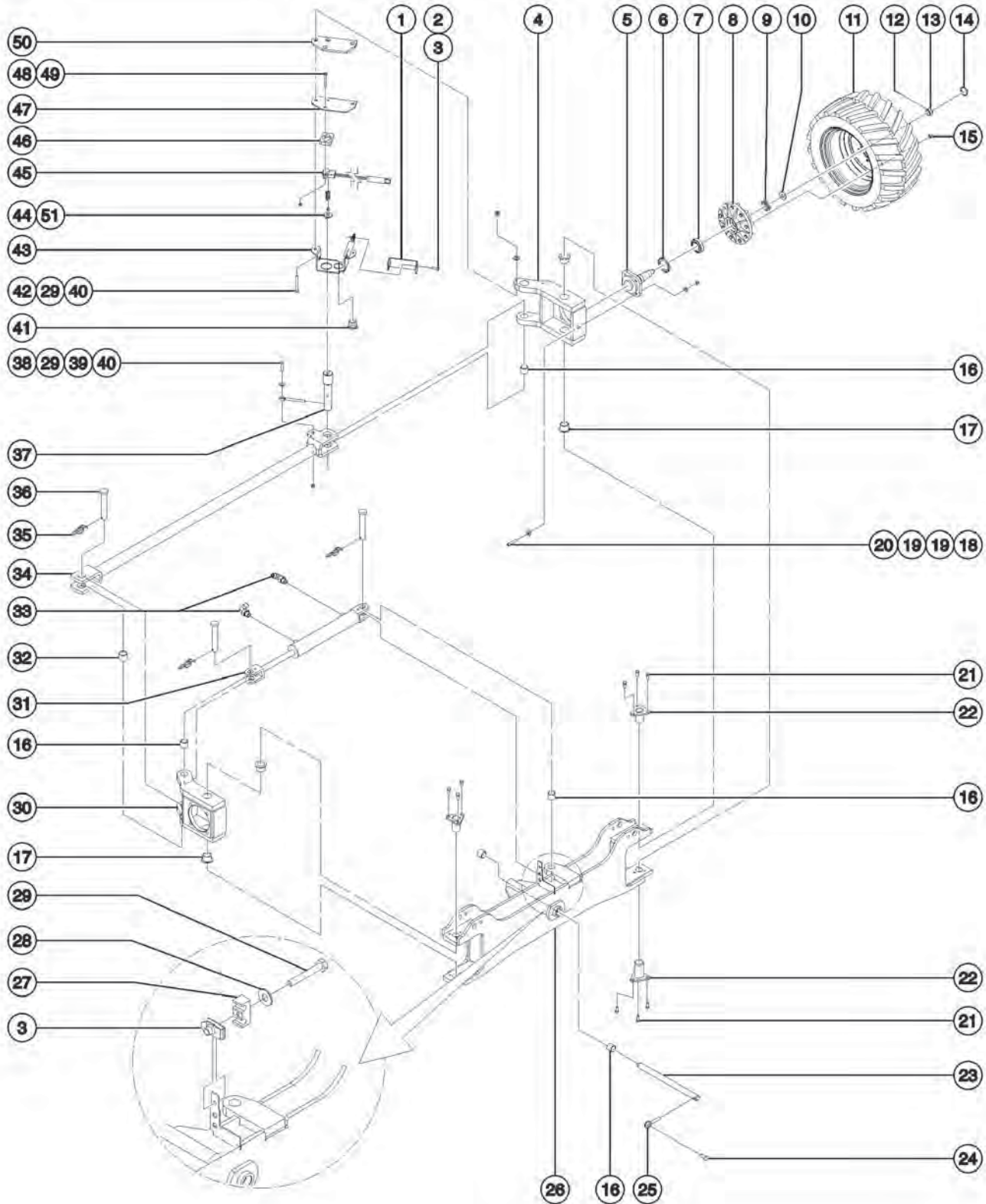


124.1 Decals with Symbols, GS-4069, Platform, CE

Item	Part No.	Description	Qty.
--		Ref. Symbol Decal Kits <i>(refer to 121.1)</i>	
1	28174	DECAL,POWER TO PLATFORM 230V.....	1
2	28235	DECAL,POWER TO PLATFORM 115V.....	1
3	40434	DECAL,LANYARD ANCHORAGE POINT.....	6
4	43618	DECAL,LABEL-DIRECTION ARROWS.....	1
5	44981	DECAL,LABEL,AIRLINE 110 PSI..... <i>(option)</i>	1
6	82487	DECAL,SYMBOL-READ THE MANUAL.....	1
7	114338	DECAL,SYM-TIP-OVR,TILT ALARM.....	1
8	114371	DECAL,SYM-TIP-OVER,OUTRGR.. <i>(option)</i>	1
9	133537	DECAL,CRUSH HAZ RAILS SYMB.....	1
10	137605	DECAL,E-STOP,GR/GRC/GS PCON.....	1
11	137656	DECAL,PROPEL,GR/GRC/GS,PCON.	1
12	230491	DECAL,NOTICE,MAX CAP GS4069.....	1
13	230807	DECAL,DANGER,MAN FRC, GS4069.....	1
14	235163	DECAL COSMETIC,GS4069DC.....	1
15	236360	DECAL, UI, GS69DC,PCON.....	1
16	237127	DECAL,UI,GS69DC W/OR,PCON.... <i>(option)</i>	1



201.1 Steer Axle Linkage, Wheels and Drive Motors



201.1 Steer Axle Linkage, Wheels and Drive Motors

Item	Part No.	Description	Qty.	Item	Part No.	Description	Qty.
1	237773	FORMING, STEER SENSOR COVER PL.....	1	13	45113	NUT,SPINDLE,1-14.....	1
2	6090	SCREW,HHC,1/4-20 X .75		14	54959	CAP,DUST (54840 HUB ASSY).....	1
3	56912	SPRING CLIP,1/4-20		15	54627	NUT,LUG,5/8-18 X 90 DEGREE,Z45.....	1
4	235375	ASSEMBLY, STEER YOKE, LFT..... <i>(includes 2 each items of 17 and 1 each item 16)</i>	1	16	25817	BEARING,1.00IDX1.25ODX1.00L....	5
5	231650	WELDMENT,FRONT STEER,GS69DC.....	1	17	148353	BEARING,BRZ,FL,1.25X1.50X1.1...4	
6	54960	SEAL-GREASE,9-BOLT HUB 54840.....	1	18	236813	SCREW,SHC,1/2-13 x 2.5 ZINC	
7	54961	BEARING,INNER,9 BOLT HUB*** ...	1	19	229167	WASHER,FLAT .56 X 1.375 X .11	
8	54958	HUB,SUB ASSEMBLY,9 BOLT***	1	20	104328	NUT,HEX,1/2-13 GRD 8	
9	54962	BEARING,OUTER,9 BOLT HUB***	1	21	49857	SCREW,HHC,3/8-16 X .88,GRD 8.....	16
10	45112	WASHER,SPINDLE.....	1	22	131616	WELDMENT,KING PIN.....	4
11A	131560	ASSY,26" RT TIRE/WHEEL RR..... <i>RT, Foam-filled, engine side (right rear)</i>	1	23	237340	PIN,OSC PIVOT.....	1
--	131561	ASSY,26" RT TIRE/WHEEL LR..... <i>RT, Foam-filled, controls side (left rear)</i>	1	24	8255	SCREW,HHC,3/8-16 X .75	
--	79101	WHEEL ASSY,LEFT,F/R LP,RT***	1	25	25284	ROD END,.375 X 2.25***	1
		<i>RT, Foam-filled, controls side (left front)</i>		26	131602	WELDMENT,OSC.AXLE.....	1
--	79102	WHEEL ASSY,RIGHT,F/R LP,RT***	1	27	148396	CLAMP,HOSE,2X#4,GS69.....	1
		<i>RT, Foam-filled, engine side (right front)</i>		28	6638	WASHER,FLAT,USS,1/4"Y	
11B	234665	ASSY, 26" NMRT TIRE/WHEEL LF	1	29	6637	SCREW,HHC,1/4-20 X 1.75.....	1
		<i>RT, Foam-filled, Non-marking, controls side (left front)</i>		30	238299	ASSEMBLY, STEER YOKE, RT..... <i>(includes 2 each items of 17 and 1 each item 16 and 32)</i>	1
--	131566	ASSY,26"NMRT TIRE/WHEEL, LR.....	1	31	89065	CYLINDER,STEER***	1
		<i>RT, Foam-filled, Non-marking, engine side (right rear)</i>		--	89066	SEAL KIT,STEER CYL (89065).....	1
--	131567	ASSY,26"NMRT TIRE/WHEEL,RR.....	1	32	53452	BEARING,1.00IDX1.50ODX1.00L....	1
		<i>RT, Foam-filled, Non-marking, controls side (left rear)</i>		33	48911	ELBOW,90D,520220-4-6***	2
--	234666	ASSY, 26" NMRT TIRE/WHEEL RF.....	1	34A	219903	KIT,SERVICE,TIE ROD,GS69DC..... <i>to SN GS6913-1755</i>	1
		<i>RT, Foam-filled, Non-marking, engine side (right front)</i>		34B	219356	WELDMENT,TIE ROD,GS69DC..... <i>from SN GS6913-1756</i>	1
12	45114	PIN,COTTER,.219 X 1.75.....	1	35	74389	RUE RING 1.00.....	3
				36	19440	PIN,CLEVIS,1 X 2.5 LG.....	3
				37A	219903	KIT,SERVICE,TIE ROD,GS69DC..... <i>to SN GS6913-1755</i>	1
				37B	219206	PIN,CLEVIS,1X5.55 LG,GS69DC.... <i>from SN GS6913-1756</i>	1
				38	8915	SCREW,HHC,1/4-20 X 1.25.....	1
				39	45748	ROD END,.250 X 2.75 LG.....	1
				40	6091	NUT,NYLOCK,1/4-20.....	1
				41	60746	BUSHING, STRAIN RELIEF, 1".....	1
				42	4266	SCREW,HHC,1/4-20 X 2.....	1



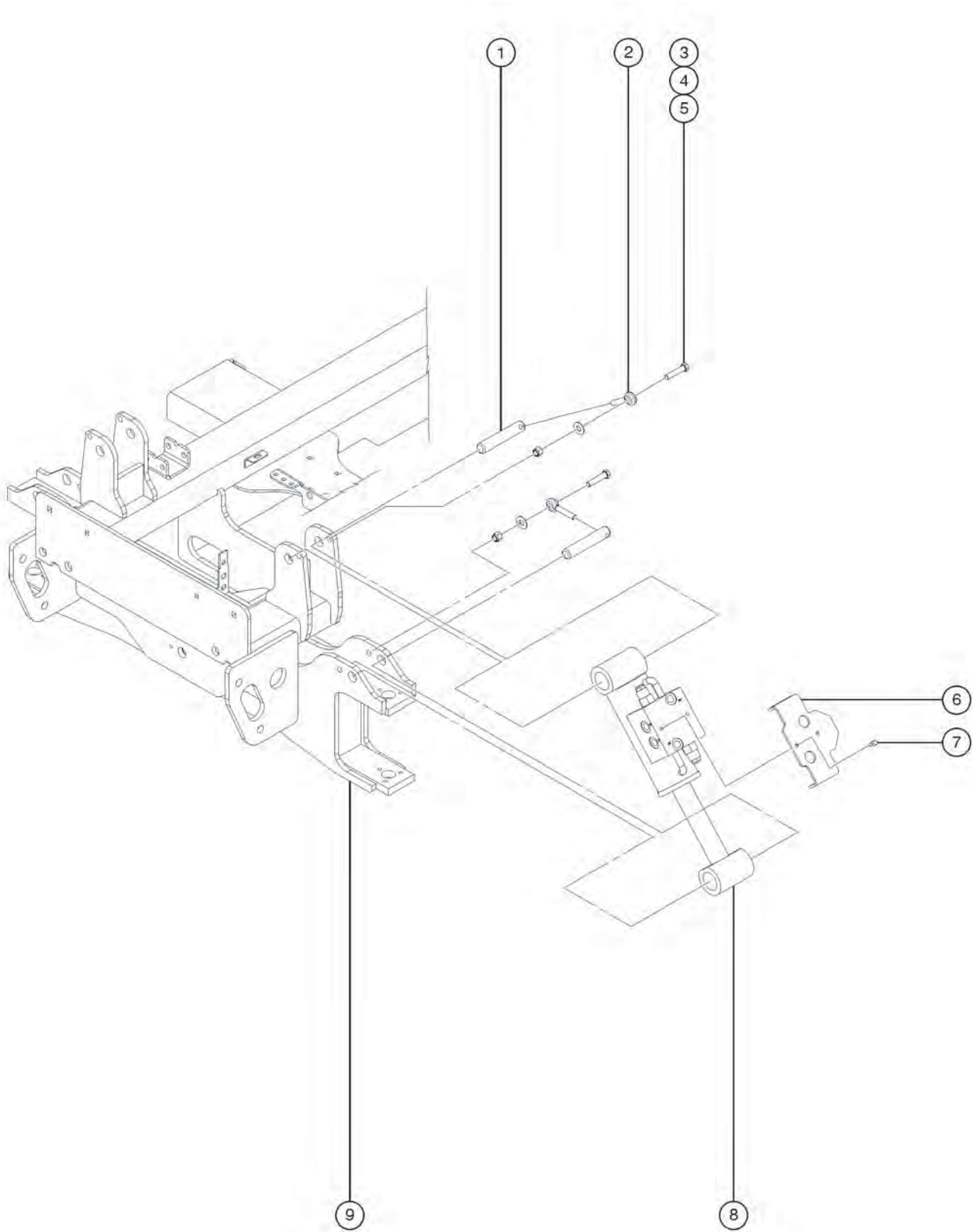
201.1 Steer Axle Linkage, Wheels and Drive Motors (continued)

Item	Part No.	Description	Qty.
43	235662	FORMING, STEER SENSOR COVER, G.....	1
44	110556	STEER SENSOR ACTUATOR,HEX.....	1
45	233767	STEER SENSOR ASSEMBLY..... <i>(complete assembly includes part number 237254)</i>	1
--	237254	ASSY,STEER SENSOR, GS69DC..... <i>(includes steer sensor and pigtail)</i>	1
46	232853	SPACER,STEER SENSOR..... <i>to SN 1575</i>	1
--	219279	SPACER,STEER SENSOR,UHMW..... <i>from SN 1576</i>	1
47	235663	PLATE, STEER SENSOR BRACKET, G.....	1
48	49775	SCREW,PHILLIPS,PHM,10-32X 1.75.....	1
49	14392	NUT,LP NYLOCK,10-32.....	1
50	232852	PLATE,STEER SENSOR SPACER,GS69.....	1
51	119910	SPRING,COMP,300 OD X .63LG..... <i>from SN GS6913-1756</i>	1

201.1 Steer Axle Linkage, Wheels and Drive Motors
(continued)

This Page Intentionally Left Blank

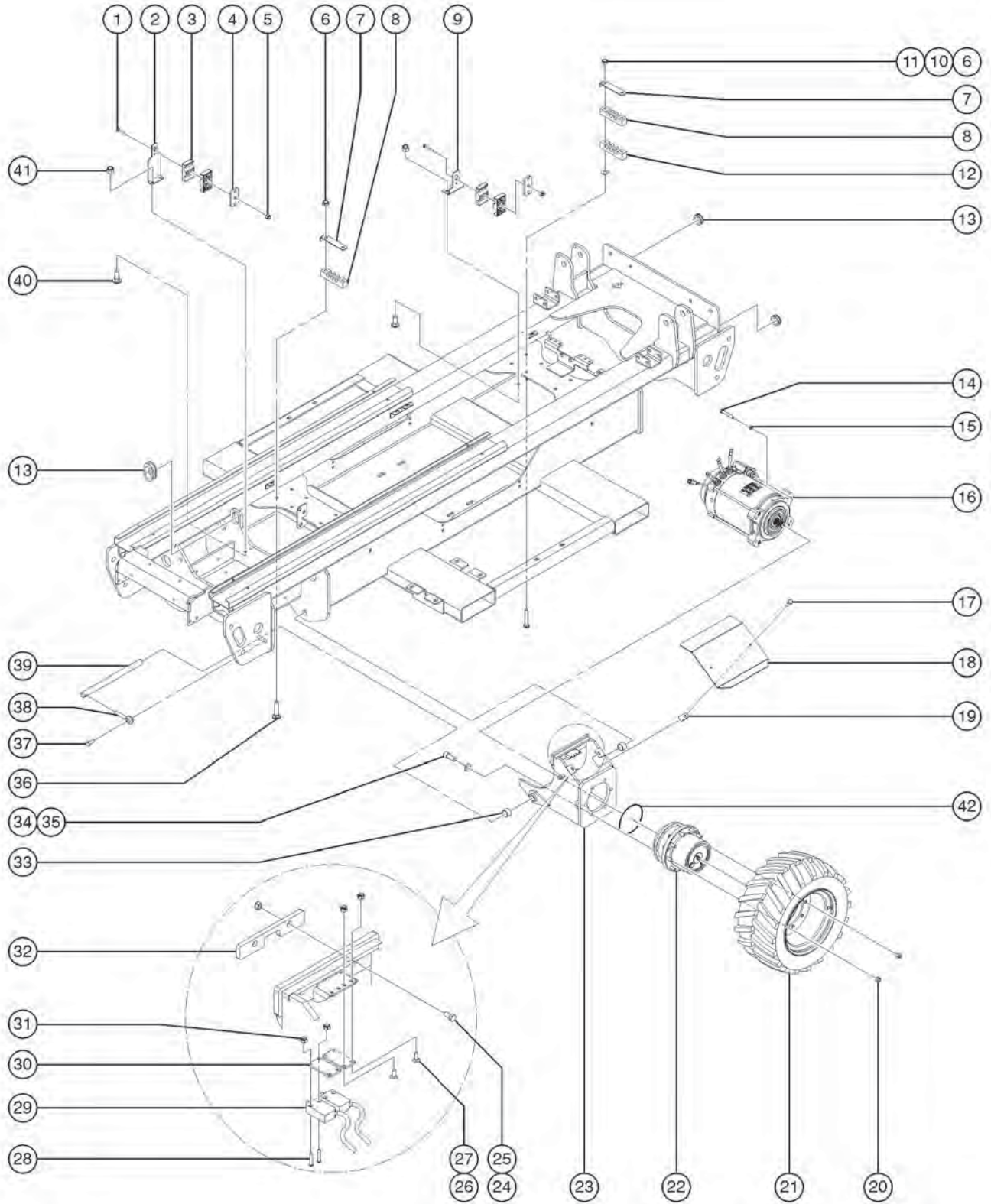
202.1 Steer Axle Linkage, Oscillation



202.1 Steer Axle Linkage, Oscillation

Item	Part No.	Description	Qty.
1	67387	PIN,1.00DIAX5.27LG,1HOLE.....	4
2	25284	ROD END,.375 X 2.25***.....	4
3	13918	SCREW,HHC,3/8-16 X 1.75,GRD.8.....	4
4	6097	WASHER,FLAT,USS,3/8",Y.....	4
5	4828	NUT,NYLOCK,3/8-16.....	4
6	148400	FORMING,OSC.COVER,GS69.....	2
7	7339	SCREW,HHC,1/4-20 X .5.....	4
8		Ref. CYLINDER, OSCILATING,GS69 (refer to 503.1)	
9		Ref. WELDMENT,OSC.AXLE (refer to 201.1)	

203.1 Non-Steer Axle and Drive Motors



203.1 Non-Steer Axle and Drive Motors

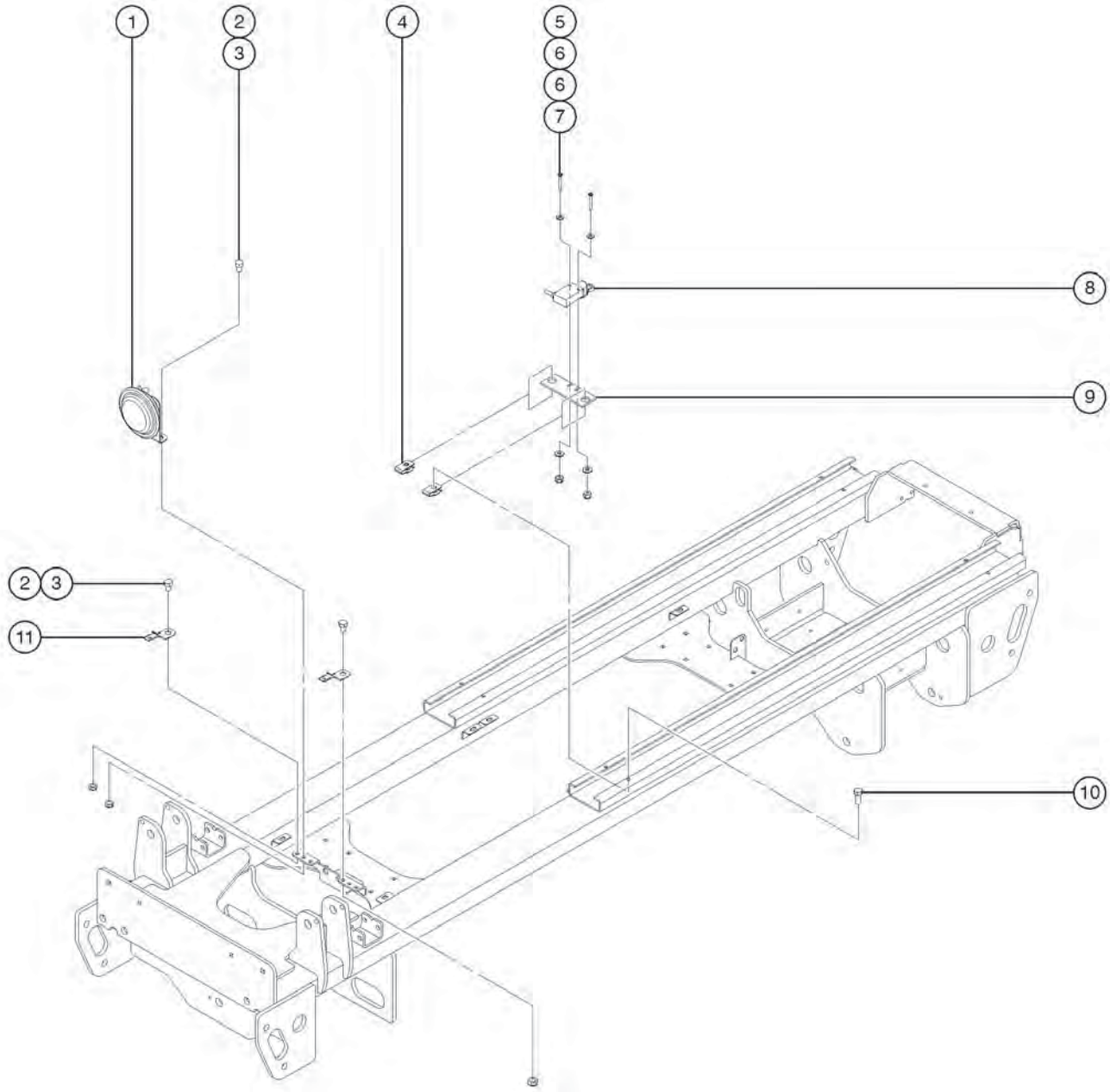
Item	Part No.	Description	Qty.	Item	Part No.	Description	Qty.
1	73464	BOLT,CARRIAGE,1/4-20 X 1.75,G2.....	4	--	83092	SNAP RING (74097) for 106445	
2	T107969	FORMING,REAR DRIVE HOSE CLAMP.....	2	23	235377	ASSY,DC REAR AXLE.....	2
3	78736	CLAMP,2 HOSE,PLASTIC,5/8.....	8	24	33987	SCREW,HHC,1/2-13 X 1, GR 5	
4	112589	PLATE,HOSE ROUTING,BULKHEAD.....	4	25	96320	NUT,LOCKING-LG.FLANGE, «-13	
5	6091	NUT,NYLOCK,1/4-20		26	71874	BOLT,CARRIAGE,#10-24X.50,G2	
6	7713	NUT,LP NYLOCK,3/8-16		27	5365	NUT,NYLOCK,10-24	
7	T107978	FORMING,CLAMP,CHASSIS,FRONT.	4	28	18540	SCREW,RHM,8-32 X 1	
8	T109744	CLAMP,HOSE,FRONT,3X#4.....	4	29	148236	SWITCH,LIMIT,PLUNGER,SMALL..	4
9	T107936	FORMING,DRIVE HOSE CLAMP MOUNT.....	2	30	131640	PLATE,SENSE AXLE SWITCH.....	4
10	87684	PUSH RETAINER, 3/8" SCREW....	4	31	18605	NUT,NYLOCK,8-32	
11	112476	BOLT,CARRIAGE,3/8-16X2.75,G5..	4	32	131639	PAD,SENSE AXLE REST.....	2
12	T109745	CLAMP,HOSE,FRONT,2X#4,#6.....	2	33	51474	BEARING,1.00IDX1.25ODX0.75L....	4
13	T109739	GROMMET,RUBBER,1.75 ID.....	12	34	112512	SCREW,SHC,5/8-11 X 1.5 NDPATCH	
14	50793	SCREW,HHC,5/16-18 X 2		35	13064	WASHER,FLAT,.625 HARDENED	
15	6886	WASHER,LOCK,.313		36	112572	BOLT,CARRIAGE,3/8-16X1.75	
16	232523	MOTOR,DRIVE,AC,INT. BRAKE,IP67.....	1	37	8255	SCREW,HHC,3/8-16 X .75	
17	6090	SCREW,HHC,1/4-20 X .75		38	25284	ROD END,.375 X 2.25***.....	2
18	131755	COVER,REAR AXLE		39	237340	PIN,OSC PIVOT.....	2
19	56912	SPRING CLIP,1/4-20.....	4	40	73466	BOLT,CARRIAGE,3/8-16 X 1.00,G2.....	8
20	54627	NUT,LUG,5/8-18 X 90 DEGREE,Z45.....	18	41	4828	NUT,NYLOCK,3/8-16.....	8
21		Ref. TIRE/WHEEL ASSY (refer to 201.1)		42	110965	O-RING,.188 X 5'OD,BUNA N,70A.....	1
22	106445	WHEEL DRIVE,4HB,57:1***.....	2				
--	106121	ROD,DISCONNECT 4HP/4HB*** for 106445					
--	106122	CAP,DISENGAGE,4HP/4HB*** for 106445					
--	106123	O-RING,END COVER,4HP/4HB*** for 106445					
--	106508	SEAL KIT,WHEEL DRIVE,4HB*** for 106445					
--	21149	LUG,WHEEL STUD,5/8-18,W1/4HB** for 106445					
--	58320	KIT,TORQUE HUB COVER(101584)** for 106445					
--	74714	BEARING KIT-74097 TORQUE HUB** for 106445					



204.1 Ladder and Counterweight

Item	Part No.	Description	Qty.
--			
1	6090	SCREW,HHC,1/4-20 X .75.....	8
2	56912	SPRING CLIP,1/4-20.....	8
3	148271	FORMING,CHASSIS COVER.....	2
4	T115515	PLATE,REAR CW BRACKET..... (GS-2669 & GS-4069)	1
5	6198	NUT,NYLOCK,1/2-13.....	8
6	6095	WASHER,FLAT,USS,1/2",Y.....	8
7	6096	SCREW,HHC,1/2-13 X 2 GR5.....	2
8	232537	CASTING,CW,REAR,4069..... (GS-2669 & GS-4069)	1
9	T114860	FORMING,MID CW BRACKET..... (GS-4069)	1
10	96977	BOLT,CARRIAGE,1/2-13X1.50,GR5.2	
11	232536	CASTING,CW,MID,4069..... (GS-4069)	1
12	148403	STRAP, RUBBER STEP SUPPORT.....	2
13	148292	WELDMENT,LOWER LADDER STEP.....	1
14	22788	SCREW,HHC,1/2-13 X 1.75.....	4
15	8516	SCREW,HHC,3/8-16 X 1.50,GR5.....	4
16	6097	WASHER,FLAT,USS,3/8",Y.....	4
17	4828	NUT,NYLOCK,3/8-16.....	8
18	60790	BOLT,CARRIAGE,3/8-16 X1.50,G5.....	4
19A	148277	WELDMENT,26/32 LADDER..... (GS-2669 and GS-3369) (decals not included, refer to section 100)	1
19B	148307	WELDMENT, GS4068 LADDER..... (GS-4069) (decals not included, refer to section 100)	1
20	214212	PLATE,COUNTERWEIGHT,DC69 (GS-4069)	
21	104325	SCREW,HHC,1/2-13 X 2.25,GR8..... (GS-4069)	1
22	104328	NUT,HEX,1/2-13 GRD 8..... (GS-4069)	1
23	6086	NUT,LP NYLOCK,1/2-13	

205.1 Drive Chassis, Safety Components

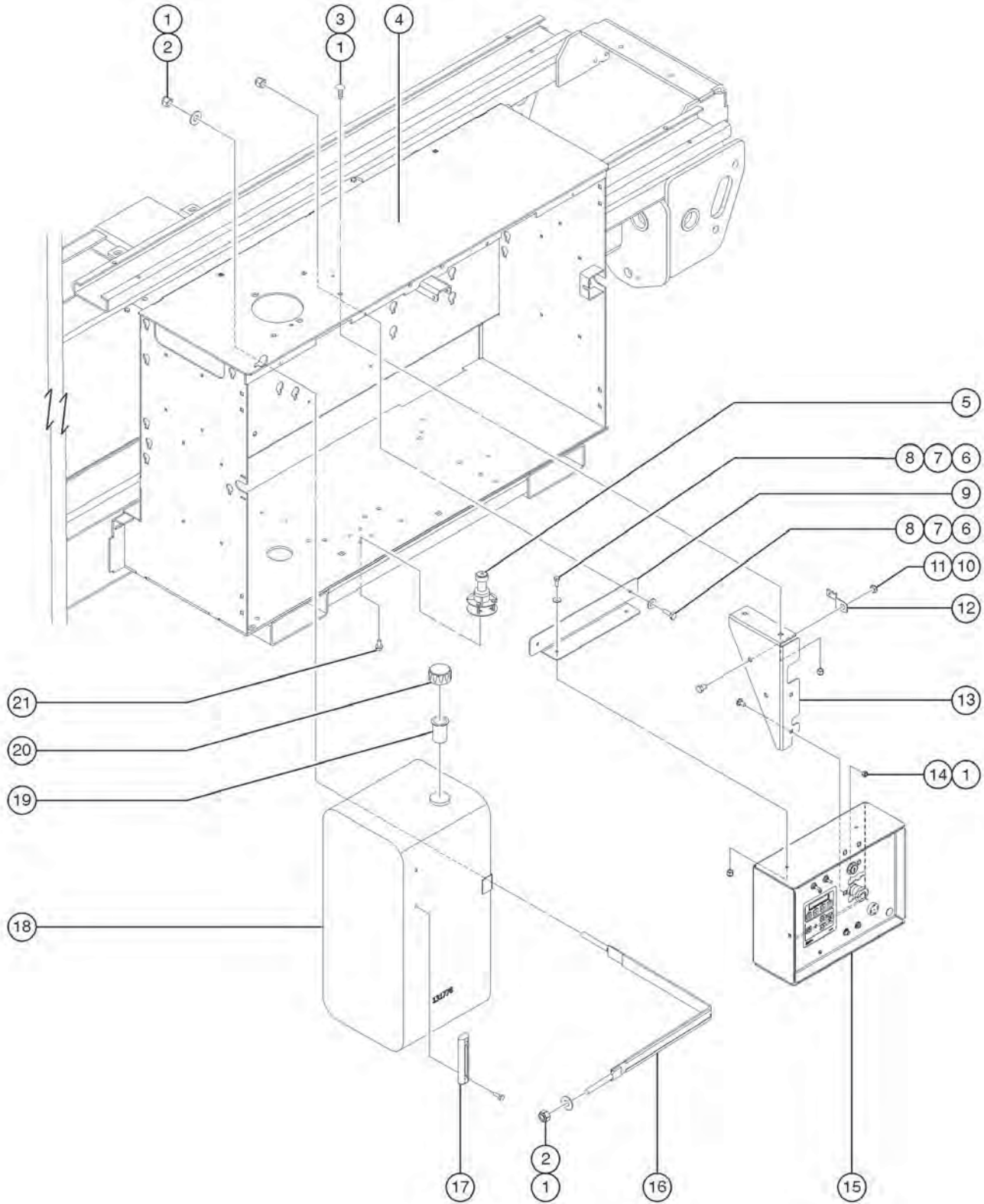


205.1 Drive Chassis, Safety Components

Item	Part No.	Description	Qty.
1	81579	HORN,24VDC,SPADE TERMINALS***.....	1
2	71508	SCREW,HHC,3/8-16 X .50 GR.5....	2
3	7713	NUT,LP NYLOCK,3/8-16.....	2
4	29868	SPRING CLIP,3/8-16.....	2
5	49821	SCREW,PHILLIPS,PHM,8-32 X 1.25.....	2
6	35461	WASHER,FLAT,MS,#8,Y.....	4
7	18605	NUT,NYLOCK,8-32.....	2
8	105692	SWITCH,LIMIT,W/ROLLER ARM.....	1
9	148413	PLATE,UP L.S. MOUNT.....	1
10	49857	SCREW,HHC,3/8-16 X .88,GRD 8...2	
11	99346	CLIP, METAL MOUNTING.....	3



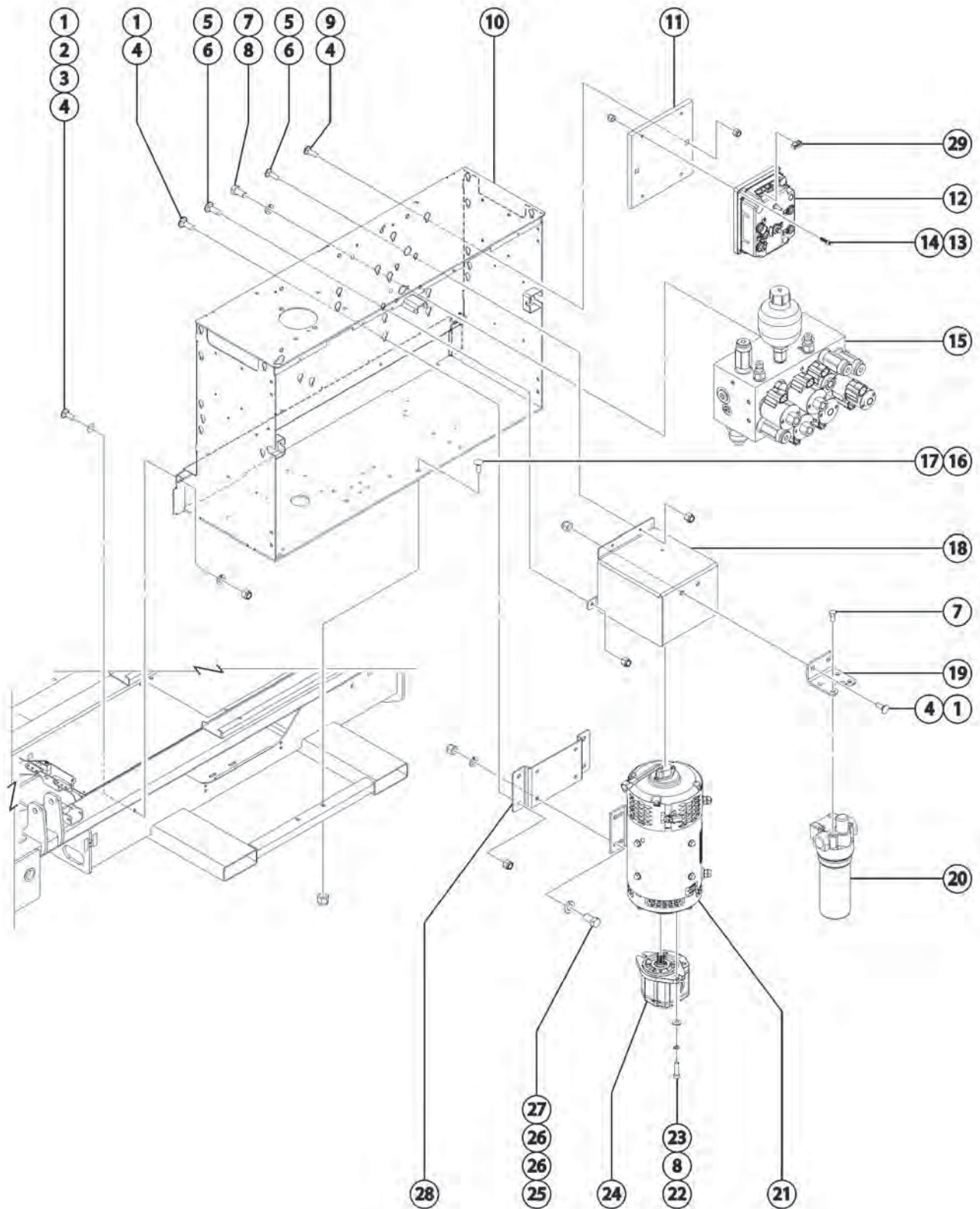
301.1 Hydraulic Tank and Ground Controls Installation



301.1 Hydraulic Tank and Ground Controls Installation

Item	Part No.	Description	Qty.
1	4828	NUT,NYLOCK,3/8-16.....	6
2	6097	WASHER,FLAT,USS,3/8",Y.....	2
3	64154	BOLT,CARRIAGE,3/8-16 X1.00,G5.....	1
4		Ref., WLDMT, HYD BOX GS68 (refer to 302.1)	
5A	71484	SENSOR,LEVEL, ANALOG..... (models with outriggers)	1
5B	78674	LEVEL SENSOR,LS60,BLUE,2X3** (models without outriggers)	
6	6090	SCREW,HHC,1/4-20 X .75.....	4
7	6638	WASHER,FLAT,USS,1/4"Y.....	4
8	6091	NUT,NYLOCK,1/4-20.....	4
9	232549	FORMING, BRACKET, CONTROL BOX,.....	1
10	7713	NUT,LP NYLOCK,3/8-16.....	1
11	71508	SCREW,HHC,3/8-16 X .50 GR.5.....	1
12	99346	CLIP, METAL MOUNTING.....	1
13	235397	FORMING,BRACE,69DC CONTROLS BO.....	1
14	101718	BOLT,CARRIAGE,3/8-16 X .75,G2.....	2
15		Ref., GROUND CONTROLS (refer to 306.1)	
16	T106782	TANK STRAP,BOLT STYLE,HYD,GS69.....	1
--	31658	EXTRUSION,RUBBER BUMPER STRIP	
17	215229	GAUGE,HYDRAULIC TANK T/L VL.....	1
18	131778	TANK,HYDRAULIC,18 GALLON***	1
19	31506	STRAINER,FILLER NECK.....	1
20	131658	CAP,HYDRAULIC TANK,GS68/84/90.....	1
21	230850	SCREW, WASH HEAD, 20-9X5/8.....	4

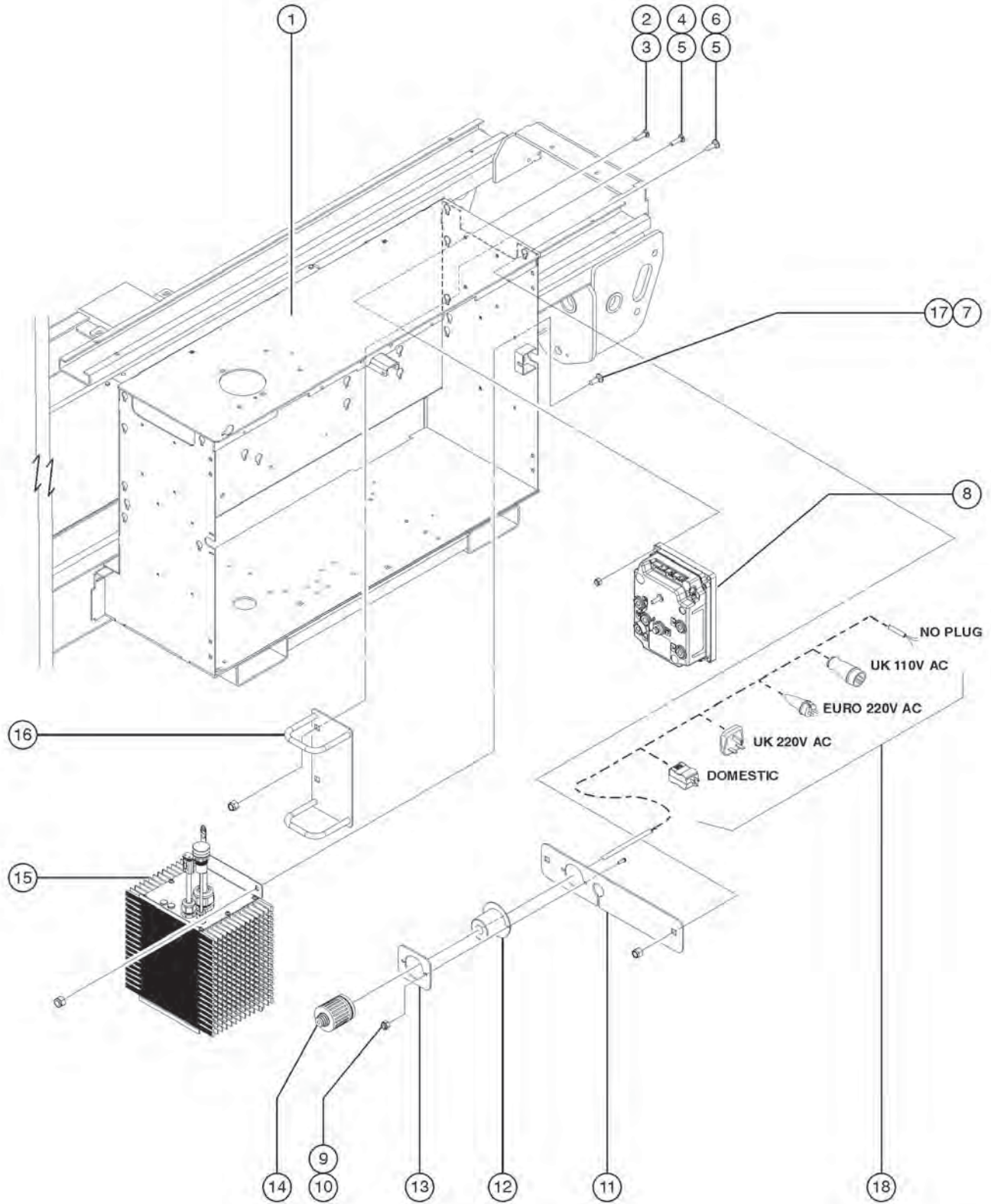
302.1 Hydraulic Tray Components, View 1



302.1 Hydraulic Tray Components, View 1

Item	Part No.	Description	Qty.
1	64154	BOLT,CARRIAGE,3/8-16 X1.00,G5.....	4
2	87684	PUSH RETAINER, 3/8" SCREW.....	2
3	6097	WASHER,FLAT,USS,3/8",Y.....	2
4	4828	NUT,NYLOCK,3/8-16.....	10
5	6878	BOLT,CARRIAGE,1/4-20 X .75,G2.....	4
6	6091	NUT,NYLOCK,1/4-20.....	4
7	8255	SCREW,HHC,3/8-16 X .75.....	6
8	6021	WASHER,LOCK, .375.....	2
9	105092	BOLT,CARRIAGE,3/8-16X1.25,GR5.2	
10	131800	WLDMT, HYD BOX GS68.....	1
11	238382	PLATE, MTG, MOTOR CONTROLLER.....	1
12	230488	MOTOR CONTROLLER,48VAC,3PH.....	1
13	238383	SCREW,SHC,1/4-20 X .875.....	4
14	6889	NUT,LP NYLOCK,1/4-20.....	4
15		Ref., Function Manifold (refer to 501.1)	
16	96203	BOLT,CARRIAGE,1/2-13X1.75, G5	
17	6198	NUT,NYLOCK,1/2-13	
18	215213	WELDMENT, MOTOR SPRAY GUARD.....	1
19	71202	FORMING,HIGH PRESS FILTER BRKT.....	1
20	60334	FILTER ASSY,HIGH PRESS SAE-12*.....	1
--	58222	O-RING,FILTER ASSY (60334)***	
--	58223	SEAL,FILTER ASSY (60334)***	
--	60857	FILTER,ELEMENT,BETA(5)=1000	
21	230485	MOTOR W/TACH,48VDC,12.25 HP.....	1
22	55921	SCREW,SHC,3/8-24 X 1.25".....	2
23	22699	WASHER,FLAT,M10,ZINC PLTD.....	2
24	214222	PUMP, GEAR, 6CC.....	1
25	13002	SCREW,HHC,5/16-18 X 1 GR5.....	4
26	5397	WASHER,FLAT,USS,5/16",Y.....	8
27	6782	NUT,NYLOCK,5/16-18.....	4
28	236021	FORMING, MOTOR BRACKET.....	1
29	160536	CONN,BLANK,L MTR CTRL,GS69DC.....	1

303.1 Hydraulic Tray Components, View 2

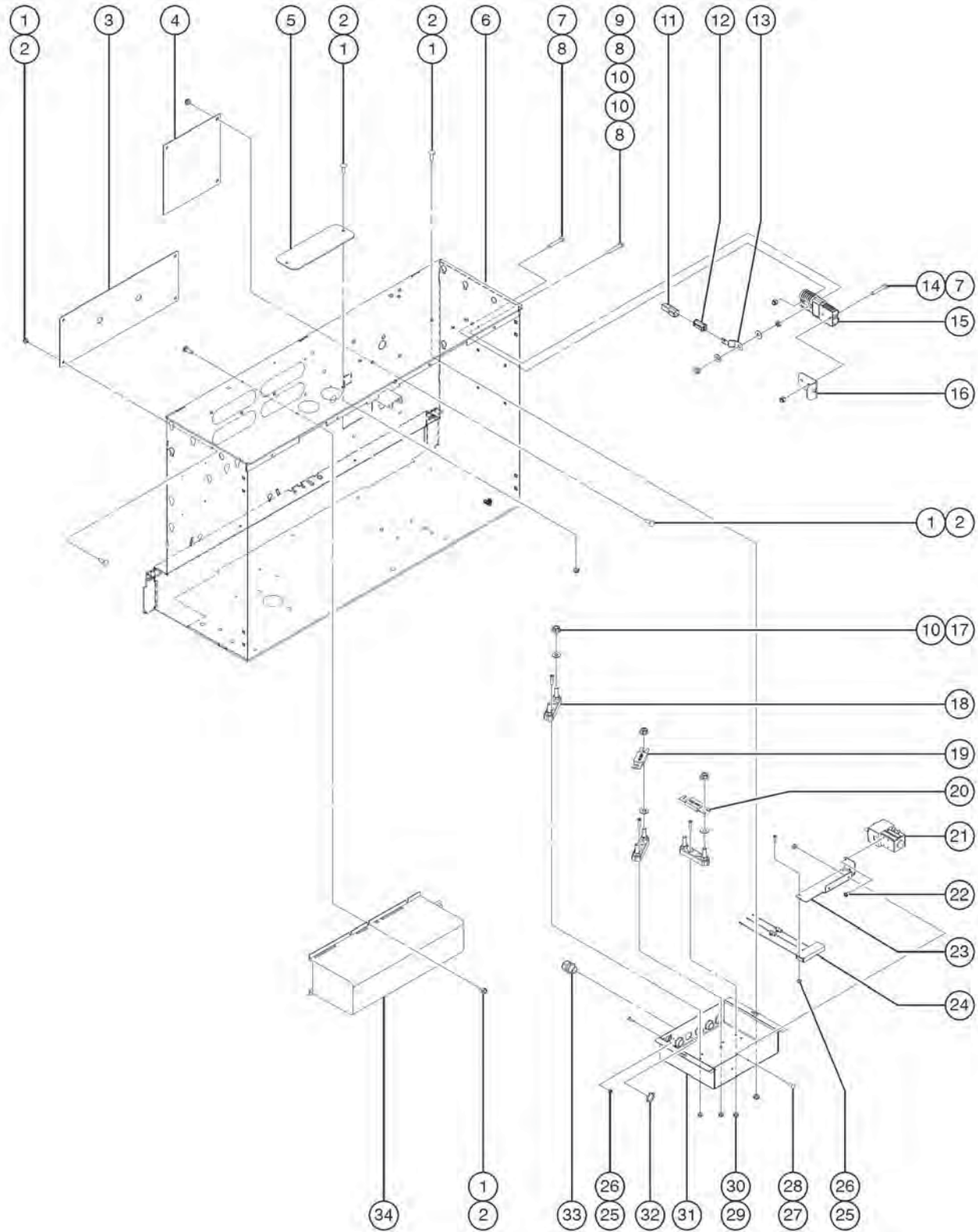


303.1 Hydraulic Tray Components, View 2

Item	Part No.	Description	Qty.	Item	Part No.	Description	Qty.
--	161359	CABLE ASSY, BATTERY CHARGER		16	215330	WLDMNT,MTR CNTRL CABLE GUIDE.....	1
--	25388	PLUG,FUSED,250V,13AMP,U.K.** <i>(for UK 220)</i>		17	6091	NUT,NYLOCK,1/4-20	
--	65737	FUSE,13 AMP,220V PLUG*** <i>(for 25388)</i>		18	144161	PLUG,PWR,UK,16AMP,3PIN,BLK <i>(for UK 110)</i>	
--	6666	PLUG,ELECTRICAL,220/50,NOVON <i>(for Euro 220)</i>					
--	Ref.	NO PLUG <i>Ref. No Plug - Consult Factory</i>					
1		Ref., Hyd Box <i>(refer to 302.1)</i>					
2	238383	SCREW,SHC,1/4-20 X .875					
3	6889	NUT,LP NYLOCK,1/4-20					
4	101718	BOLT,CARRIAGE,3/8-16 X .75,G2					
5	4828	NUT,NYLOCK,3/8-16					
6	64154	BOLT,CARRIAGE,3/8-16 X1.00,G5					
7	6878	BOLT,CARRIAGE,1/4-20 X .75,G2					
8		Ref., Motor Controller..... <i>(refer to 302.1)</i>	1				
9	55906	SCREW,PHILLIPS,PHM,8-32 X .5					
10	18605	NUT,NYLOCK,8-32					
11	235719	PLATE,RECESSED PLUG MOUNT,GS69.....	1				
12	105117	PLUG,FLG INLET,15A/125V,2PWGD.....	1				
13	236802	PLT,RECESSED PLUG BACKING, GS6..... <i>(for US 110 models)</i>	1				
--	219058	PLATE,STR RELIEF BACK, DC69 <i>(for models with UK 110, UK 220, Euro 220 and no plug)</i>					
14	105118	GASKET,(BOOT) FLANGE INLET PLG.....	1				
15	128375	CHARGER 48V/30A AUTO AC X-LED.....	1				
--	128376	CORD EURO AC IEC320-C19PIGTAIL <i>(sold seperately) (not shown) (for Euro and UK models)</i>					
--	128377	CORD AC IEC320-C19 TO 110US <i>(sold seperately) (not shown) (for US models)</i>					
--	228947	CLIP,RETAINING,IES CHARGER					
--	228973	KIT,ASSY,LED,IES CHARGER					



304.1 Battery Tray Components, View 1

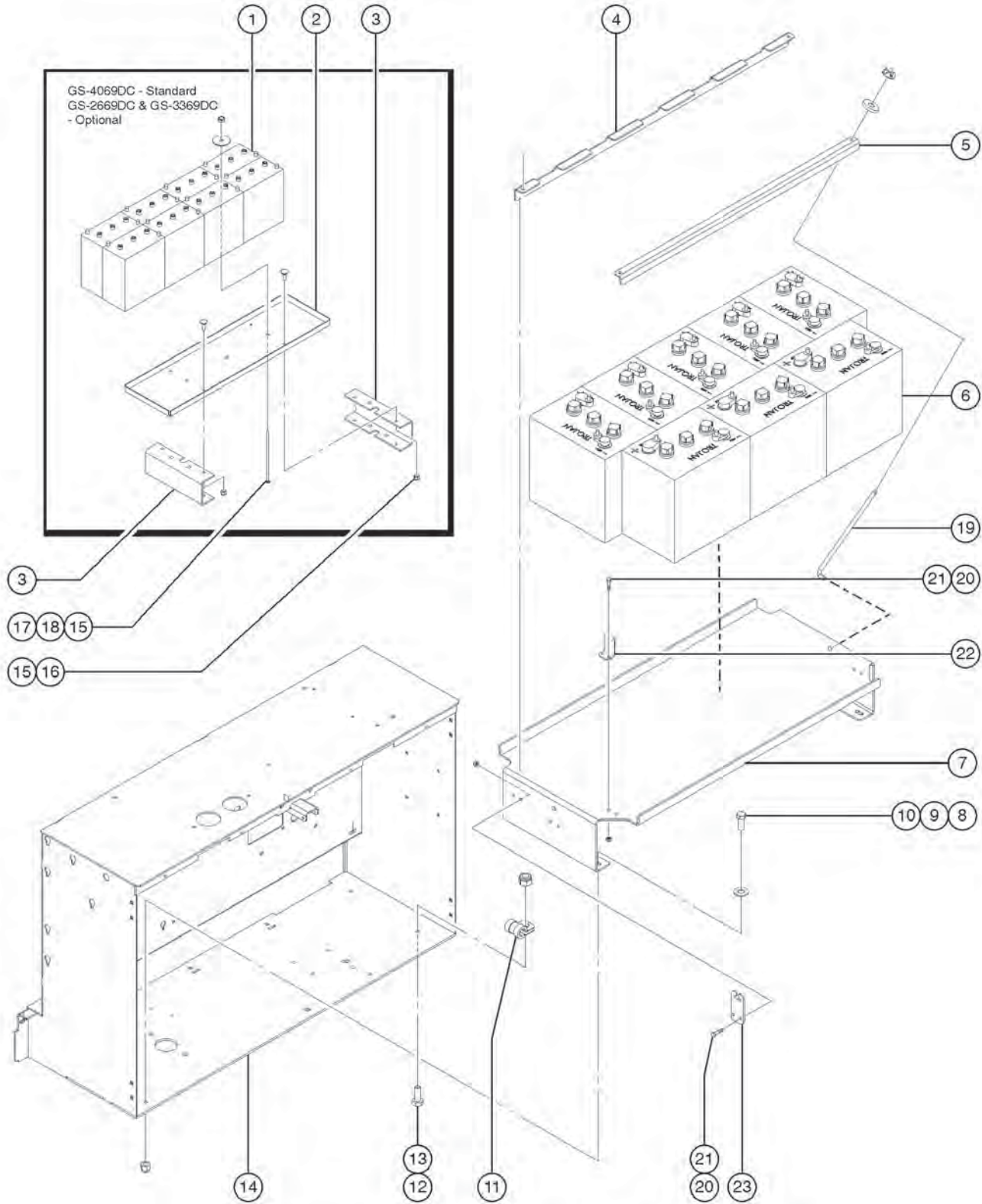


304.1 Battery Tray Components, View 1

Item	Part No.	Description	Qty.	Item	Part No.	Description	Qty.
1	6889	NUT,LP NYLOCK,1/4-20		34	150026	INVERTER,48VDC,120VAC/60HZ...1	
2	6878	BOLT,CARRIAGE,1/4-20 X .75,G2					
3	235696	PLATE, BLOCKOFF, ENGINE VENT.....1	1				
4	235697	PLATE,BLOCKOFF,CLEARANCE HOLES.....1	1				
5	236429	PLATE, RAIN CAP, GS69 DC.....1	1				
6	235693	WELDMENT,BATTERY BOX,GS69DC.....1	1				
7	8915	SCREW,HHC,1/4-20 X 1.25					
8	66094	NUT-THIN HEAVY HEX, 1/4-20					
9	6145	SCREW,HHC,1/4-20 X 1.5					
10	6638	WASHER,FLAT,USS,1/4"Y					
11	60438	CONN,RECEP 2 WAY,14-18GA					
12	60424	CONN,PLUG 2 WAY,14-18GA					
13	99346	CLIP, METAL MOUNTING					
14	6091	NUT,NYLOCK,1/4-20					
15	66397	QUICK DISCONNECT CASING,BATT**1	1				
--	19436	CONNECTOR,ANDERSON SB 175***					
16	74651	FORMING,HANDLE BATTERY CONN.....1	1				
17	18503	NUT,LOCKING-LG.FLANGE,5/16-18					
18	66717	FUSE BLOCK, ANN & ANL FUSE...1	1				
19	216005	FUSE,40 AMP,NON TIME DELAY,ANL.....1	1				
20	215488	FUSE,325 AMP,VERY FAST ACTING.....1	1				
21	74267	CONTACTOR,DRIVE,24V,180A***...1	1				
22	49818	SCREW,PHILLIPS,PHM,10-32 X .38					
23	236019	FORMING, BATTERY BALANCER BRAC.....1	1				
24	229642	BATTERY,EQUALIZER,48V-24V,3WIR.1	1				
25	12344	NUT,NYLOCK,6-32					
26	49820	SCREW,PHILLIPS,PHM,6-32 X .5					
27	71874	BOLT,CARRIAGE,#10-24X.50,G2					
28	5365	NUT,NYLOCK,10-24					
29	6178	NUT,NYLOCK,10-32					
30	6873	SCREW,FHM,10-32 X 1					
31	236018	FORMING,FUSE BOX.....1	1				
32	14041	LOCKNUT,ELECTRIC,3/4"					
33	70684	STRAIN RELIEF, 3/4, NPT, GRY					



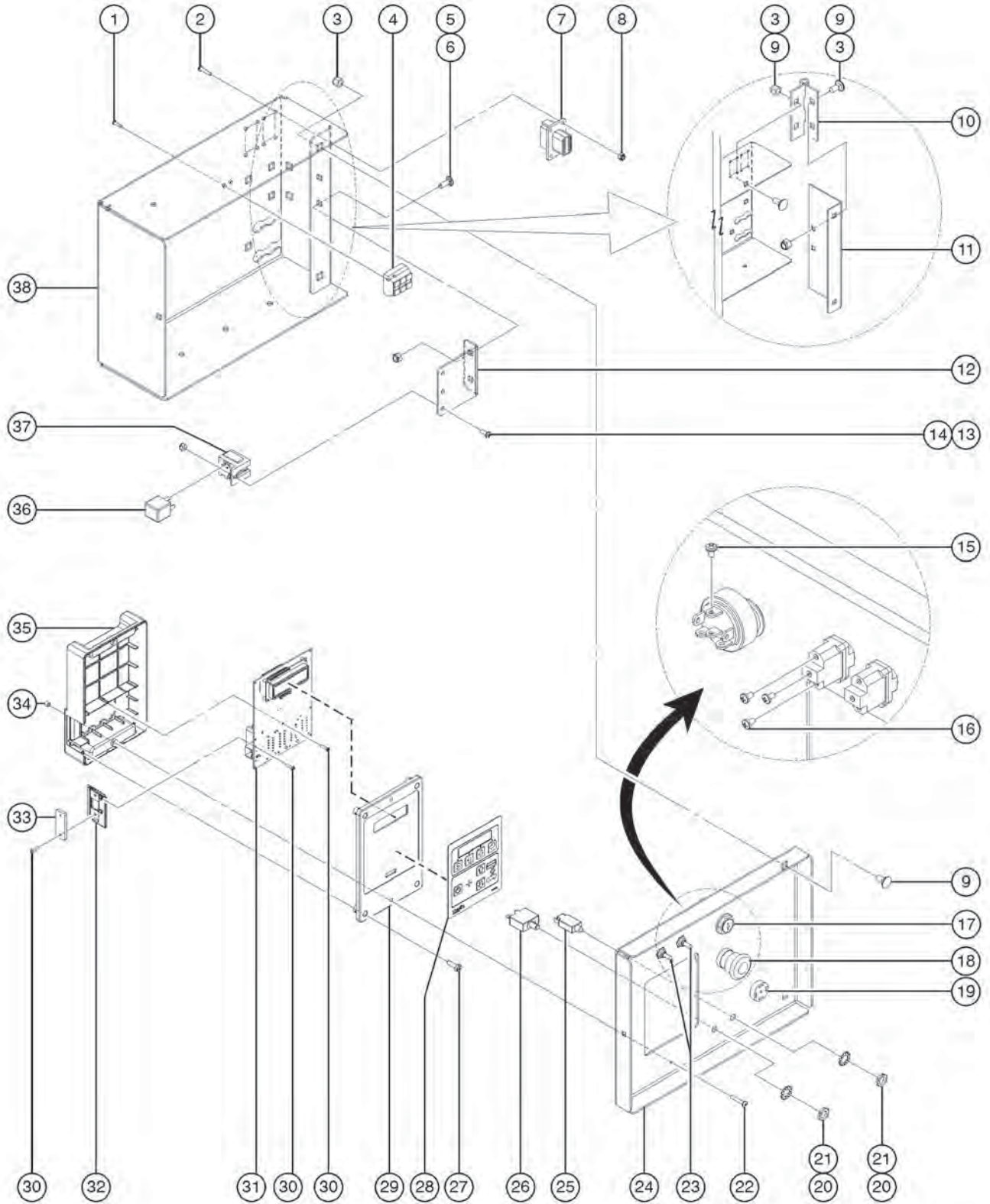
305.1 Battery Tray Components, View 2



305.1 Battery Tray Components, View 2

Item	Part No.	Description	Qty.
1	56462	BATTERY, J 305GH, 315AH.....8 <i>(option) GS-2669DC & GS-3369DC;</i> <i>(standard) GS-4069DC</i>	
2	237431	FORMING,BATT TRAY,J305,GS69DC.....1 <i>(option) GS-2669DC & GS-3369DC;</i> <i>(standard) GS-4069DC</i>	
3	237432	FORMING,TRAY SUP,J305,GS69DC.....2 <i>(option) GS-2669DC & GS-3369DC;</i> <i>(standard) GS-4069DC</i>	
4	235498	FORMING,BATT HOLDER, REAR.....1 <i>GS-2669DC & GS-3369DC only</i>	
5	79469	FORMING,BATTERY HOLDER FRONT.....1 <i>GS-2669DC & GS-3369DC only</i>	
6	76494	BATT,6V,225AH T105 LPT3CAP.....8 <i>(option) GS-2669DC & GS-3369DC</i> <i>only</i>	
7	235497	FORMING, BATTERY SHELF.....4 <i>GS-2669DC & GS-3369DC only</i>	
8	6175	SCREW,HHC,3/8-16 X 1	
9	6097	WASHER,FLAT,USS,3/8",Y	
10	4828	NUT,NYLOCK,3/8-16	
11	45470	CLAMP,0.31,#5 X 1/4,RUB CUSH....1	
12	6090	SCREW,HHC,1/4-20 X .75	
13	6091	NUT,NYLOCK,1/4-20	
14		Ref. BATTERY BOX <i>(refer to 304.1)</i>	
15	6198	NUT,NYLOCK,1/2-13	
16	96203	BOLT,CARRIAGE,1/2-13X1.75, G5	
17	238385	BOLT,CARRIAGE,1/2-13X15	
18	238384	WASHER, FENDER, .125X.531X2.5	
19	6086	NUT,LP NYLOCK,1/2-13	
19	87312	HOOK-BATT HOLD DOWN 12"LG.....4 <i>(includes mounting fasteners)</i>	
20	8914	SCREW,HHC,1/4-20 X .625	
21	6889	NUT,LP NYLOCK,1/4-20	
22	55587	FORMING, BATTERY BRACKET,GS90.....2 <i>(from SN 1764)</i>	
23	160390	PLATE,BATTERY BRACKET,GS69DC.....2 <i>(from SN 1764)</i>	

306.1 Ground Controls

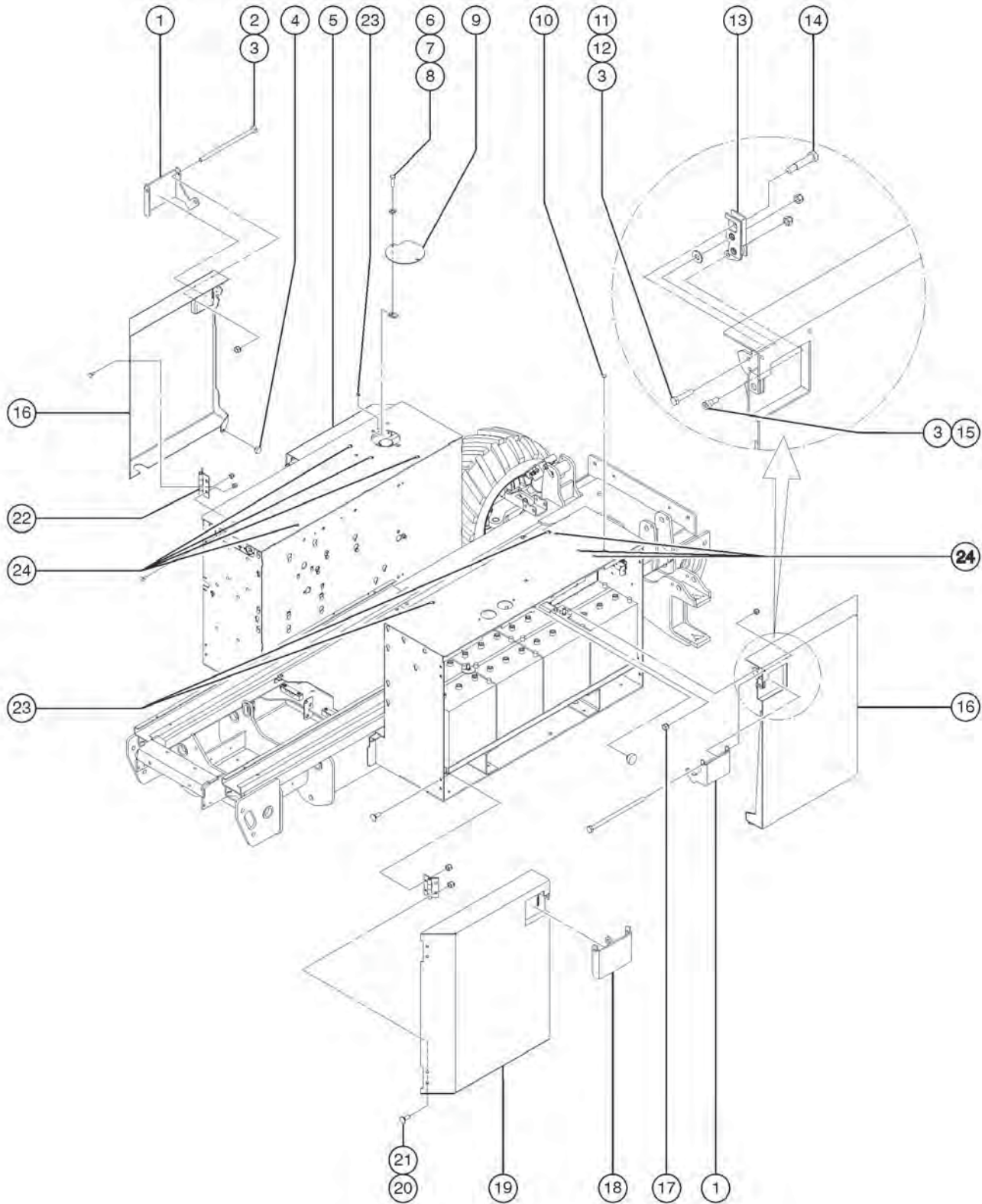


306.1 Ground Controls

Item	Part No.	Description	Qty.	Item	Part No.	Description	Qty.
--	137562	DECAL, MEMBRANE, GR/GRC/GS GCON.....	1	23	128200	SWITCH TOGGLE ASSY SPDT 3P MOM.....	2
--	237616	GCON, 69 DC SL1K <i>(standard) (part is serialized) (includes items 27 thru 35)</i>		--	128578	SCREW T-SWITCH PH/PH 6-32X1/4	
--	217992	GCON, 69DC, OUTRIGGER, SL1K <i>(option) (for models with outriggers)</i>		--	128580	SWITCH TOGGLE SPDT 3P MOM SHDR	
1	49820	SCREW, PHILLIPS, PHM, 6-32 X .5...	2	--	27246	BOOT, TOGGLE SWITCH, SHORT*	
2	45645	SCREW, RHM, 8-32 X .75.....	8	24	235382	FORMING, DOOR, GCON MOUNT.....	1
3	4828	NUT, NYLOCK, 3/8-16.....	6	25	38020	CIRCUIT BREAKER, 15 AMP.....	1
4	214542	TERM BLK, 3 POLE/12 POS, LCP....	1	26	96452	CIRCUIT BREAKER, 7.0 AMP***.....	1
5	124580	BOLT, CARRIAGE, 1/4X.75, G5.....	2	27	137668	SCREW, PHM, 6-19X.75, 48-2 TRI-L.....	4
6	6091	NUT, NYLOCK, 1/4-20.....	2	28	137562	DECAL, MEMBRANE, GR/GRC/GS GCON.....	1
7	73730	CONN, RECEP 12 WAY, GRY FLANGE.....	2	29	T106366	ENCLOSURE, GC27-25/GC21-19, FRNT.1	
8	18605	NUT, NYLOCK, 8-32.....	8	30	137637	SCREW, PHM, 4-20X.5, 48-2 TRI-L.....	3
9	101718	BOLT, CARRIAGE, 3/8-16 X .75, G2.....	4	31	237618	PCBA, GCON 69 DC SL1K.....	1
10	55517	HINGE, GSRT90 BOX.....	1			<i>(standard)</i>	
11	235381	FORMING, DOOR, BULKHEAD MOUNT.....	1	--	218091	PCBA, GC27-25 <i>(option) (for models with outriggers)</i>	
12	235383	FORMING, BRACKET, RELAY MOUNT.....	1	32	137655	ADAPTER, RJ45, GC27-25/GC21-19.....	1
13	49819	SCREW, PHILLIPS, PHM, 10-32 X .5.....	2	33	137584	COVER, RJ45, GC27-25/GC21-19.....	1
14	6178	NUT, NYLOCK, 10-32.....	2	34	66842	INSERT, 10-32 X .25.....	2
15	96010	SCREW, PHILLIPS, PHM, 8-32 X.25**.....	6	35	T106372	ENCLOSURE, GC21-19, BK.....	1
16	128578	SCREW T-SWITCH PH/PH 6-32X1/4.....	6			<i>(standard)</i>	
17	96008-S	KEYSWITCH, 3 POS. W/KEYS***.....	1	--	T106371	ENCLOSURE, GC27-25, BK	
--	37947	KEYS, 10 PACK***		36	56302	RELAY, 24VDC, 40/30A, SEALED*** ..	2
--	83093	KEY SINGLE***		37	34053	ASSY, RELAY SOCKET, AUTO***.....	2
--	83131	KEYSWITCH, 3 POS W/KEYS, LOCKING		38	235380	FORMING, BOX, CONTROL ENCLOSUR.....	1
18	66812	E-STOP BUTTON.....	1				
--	66818	CONTACT, NC					
--	66821	BASE, WITHOUT CONTACTS					
19	39540	ALARM, STEADY TONE***.....	1				
20	6700	WASHER, STAR, EXTERNAL, .375....	2				
21	122994	NICKEL PLATED JAM NUT.....	2				
22	75041	SCREW, PHILLIPS, PHM, 10-32 X 1.....	2				



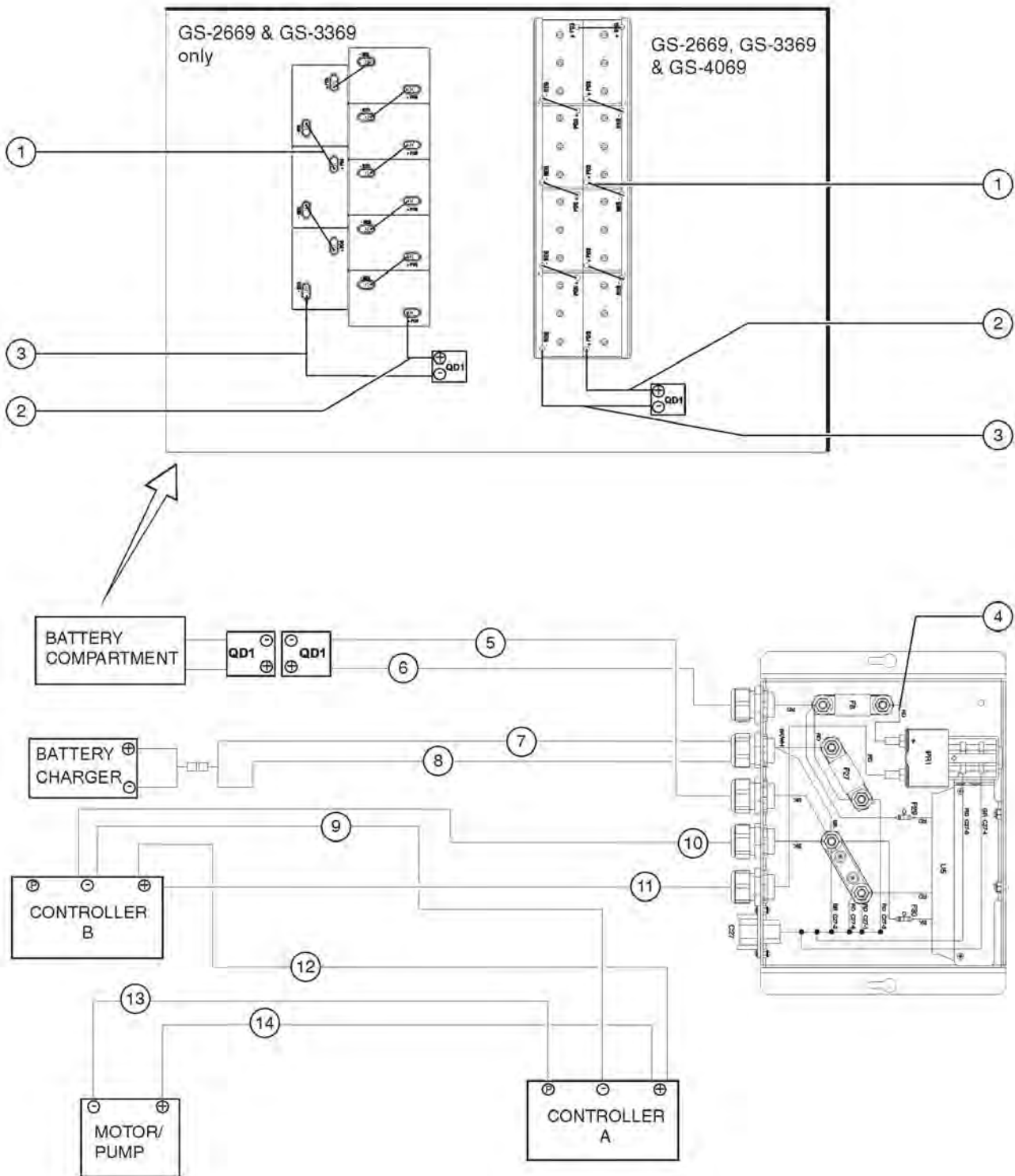
307.1 Chassis Cover Installation



307.1 Chassis Cover Installation

Item	Part No.	Description	Qty.
1	131926	FORMING,DOOR LATCH HANDLE,RT.....	2
2	10744	SCREW,HHC,1/4-20 X 5	
3	6091	NUT,NYLOCK,1/4-20	
4	43392	BUMPER,BATTERY BOX & RAILS.....	6
5	131780	WELDMENT,BOX DOOR,LEFT,WINDOW..... <i>(decals not included, refer to section 100)</i>	1
6	6019	SCREW,HHC,3/8-16 X 1.25 GRD 5	
7	6021	WASHER,LOCK,.375	
8	29868	SPRING CLIP,3/8-16.....	2
9	131873	PLATE,HYD TANK FILLER COVER.....	1
10	45384	PLUG,NYLON .50 BLACK DOMED.....	2
11	161805	SCREW,HHC,1/4-20 X 1.25, TAP	
12	6638	WASHER,FLAT,USS,1/4"Y	
13	105319	LATCH,BATT/HYDR TRAY***.....	4
14	131928	BOLT,SHLDR,3/8X1.25,5/16-18S/S	
15	148291	BOLT,SHLDR,5/16X1/4X1/4-20S/S	
16	131790	WELDMENT,BOX DOOR,RT..... <i>(decals not included, refer to section 100)</i>	2
17	6782	NUT,NYLOCK,5/16-18	
18	131929	FORMING,DOOR LATCH HANDLE,LT.....	2
19	148226	WLDT,BOX DOOR,ENG,LT,GS68.... <i>(decals not included, refer to section 100)</i>	1
20	64154	BOLT,CARRIAGE,3/8-16 X1.00,G5	
21	4828	NUT,NYLOCK,3/8-16	
22	55517	HINGE, GSRT90 BOX.....	5
23	215915	PLUG,NYLON,.291"RING	
24	215914	PLUG,NYLON,.381"RING	

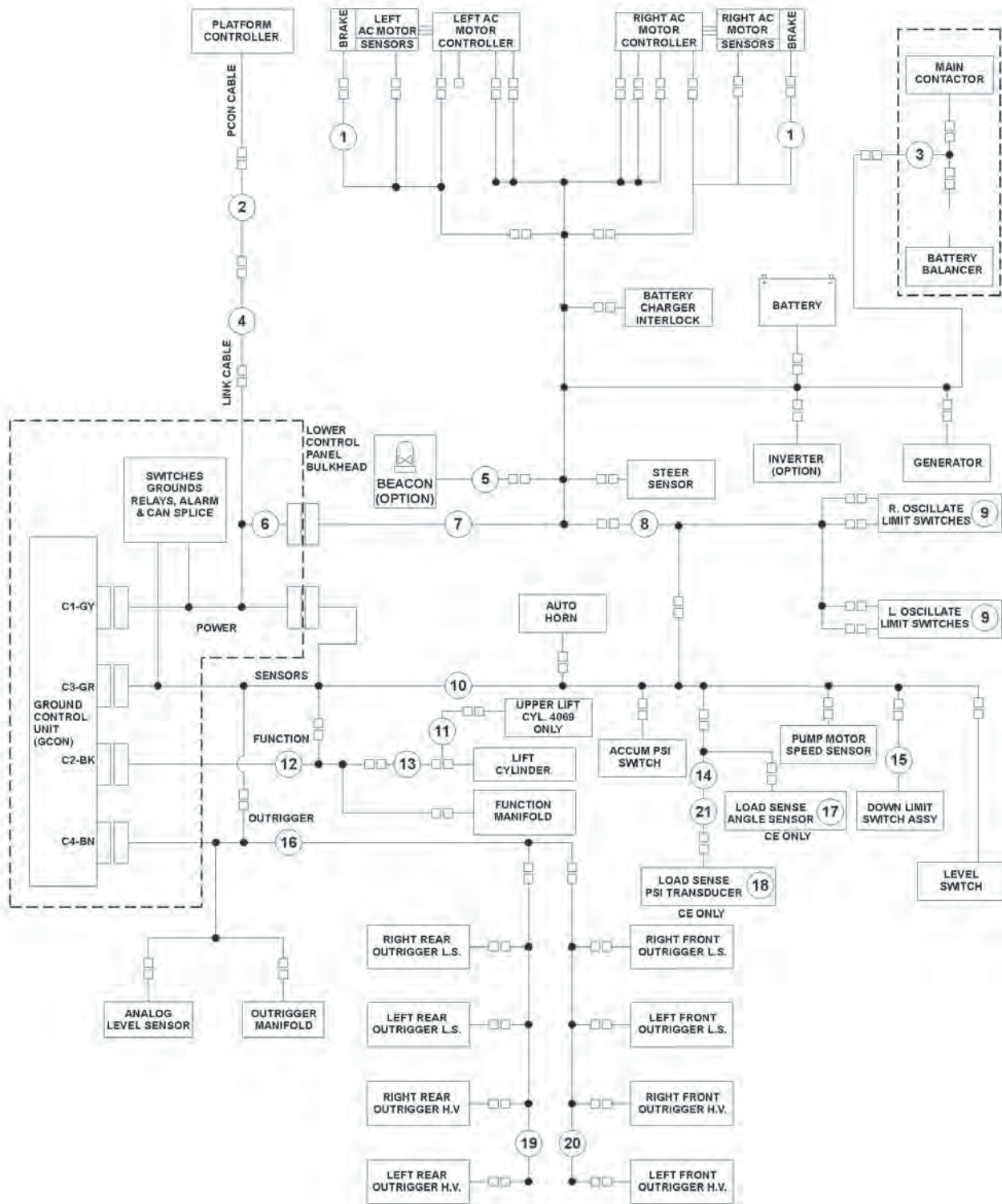
308.1 Power Cables



Item	Part No.	Description	Qty.
1	238364	CABLE ASSY, BATTERY JUMPERS.....	7
2	238365	CABLE ASSY, B+ TO ANDERSON PLU.....	1
3	238366	CABLE ASSY, B- TO ANDERSON PLU.....	1
4	238369	CABLE ASSY, CONTA FUSE TO CONT.....	1
5	238368	CABLE ASSY, ANDERSON TO GRND L.....	1
6	238367	CABLE ASSY. ANDERSON TO CONTA.....	1
7	238377	CABLE ASSY, BATTERY CHARGER -.....	1
8	238376	CABLE ASSY, BATTERY CHARGER +.....	1
9	238374	CABLE ASSY, CONTR A B- TO CONT.....	1
10	238373	CABLE ASSY, GRND LUG TO CONTR.....	1
11	238370	CABLE ASSY, CONTA TO PUMP MOTO.....	1
12	238372	CABLE ASSY, CONTR A B+ TO CONT.....	1
13	238375	CABLE ASSY, CONTR A P- TO PUMP.....	1
14	238371	CABLE ASSY, PUMP MT+ TO CONTR.....	1



309.1 Electrical Wiring

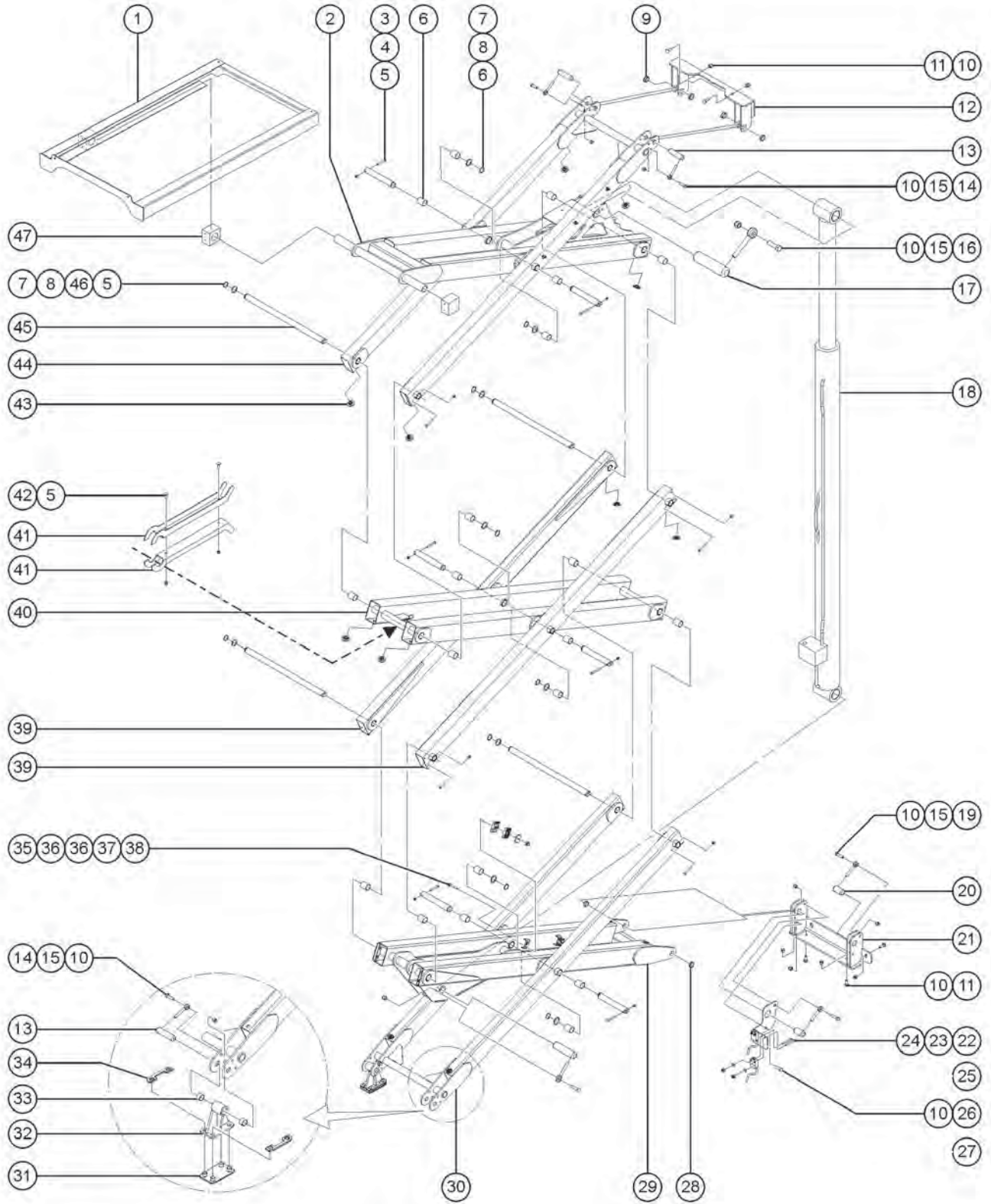


309.1 Electrical Wiring

Item	Part No.	Description	Qty.	Item	Part No.	Description	Qty.
--	137587	HARNESS, ESTOP, GR/GRC/GS PCON		20	148090	HARNESS,OUTRIGGERS,FRNT,GS69.1 <i>(option)</i>	
--	137611	ASSY, COIL CORD, GR/GRC/GS		20	148091	HARNESS,OUTRIGGERS,REAR,GS69.1 <i>(option)</i>	
1	234837	HARNESS, MOTOR/BRAKE,GS69DC.....2		21	218245	JUMPER,SENSOR,TERMINAL.....1	
2A	236066	CABLE,CNTRL,LINKS,GS2669DC..1 GS-2669DC					
2B	236067	CABLE,CNTRL,LINKS,GS3369DC..1 GS-3369DC					
2C	236068	CABLE,CNTRL,LINKS,GS4069DC..1 GS-4069DC					
3	235398	HARNESS, CONTROL POWER,GS69DC.....1					
4	237476	CABLE,CONTROL,EXTEND,GS69DC.1					
5	148076	HARNESS,BEACON,GS69.....1 <i>(option)</i>					
6	234830	HARNESS,LCP,GS69DC.....1					
7	234832	HARNESS,MOTOR CONTROL,GS69DC.....1					
8	235399	HARNESS,EXTEND,OSC LS,GS69DC.....1					
9	148414	HARNESS,OSC SWITCH REAR.....2					
10	234831	HARNESS,SENSORS,GS69DC.....1					
11	148087	CABLE,DOWN COILS,GS4069.....1 GS-4069DC					
12	234833	HARNESS,FUNCTION,HYD,GS69DC.1					
13	148086	CABLE,DOWN COILS,GS3369.....1 GS-2669DC & GS-3369DC					
14	235400	CABLE, CE PSI/ANG SENSORS, GS69DC.....1 <i>CE only</i>					
15	148092	HARNESS,DOWN LIMIT SENSOR,GS69.....1					
16	234834	HARNESS, OUTRIGGER, MAIN, GS69DC.....1 <i>(option)</i>					
17	T113136	ASSY,ROT SENSR W/ HARNESS.....1 <i>CE only</i>					
18	229750	HARNESS,PRESS,TRANSDUCER***.1 <i>CE only</i>					
19	148090	HARNESS,OUTRIGGERS,FRNT,GS69.1 <i>(option)</i>					
19	148091	HARNESS,OUTRIGGERS,REAR,GS69.1 <i>(option)</i>					



401.1 Scissor Components, GS-2669DC

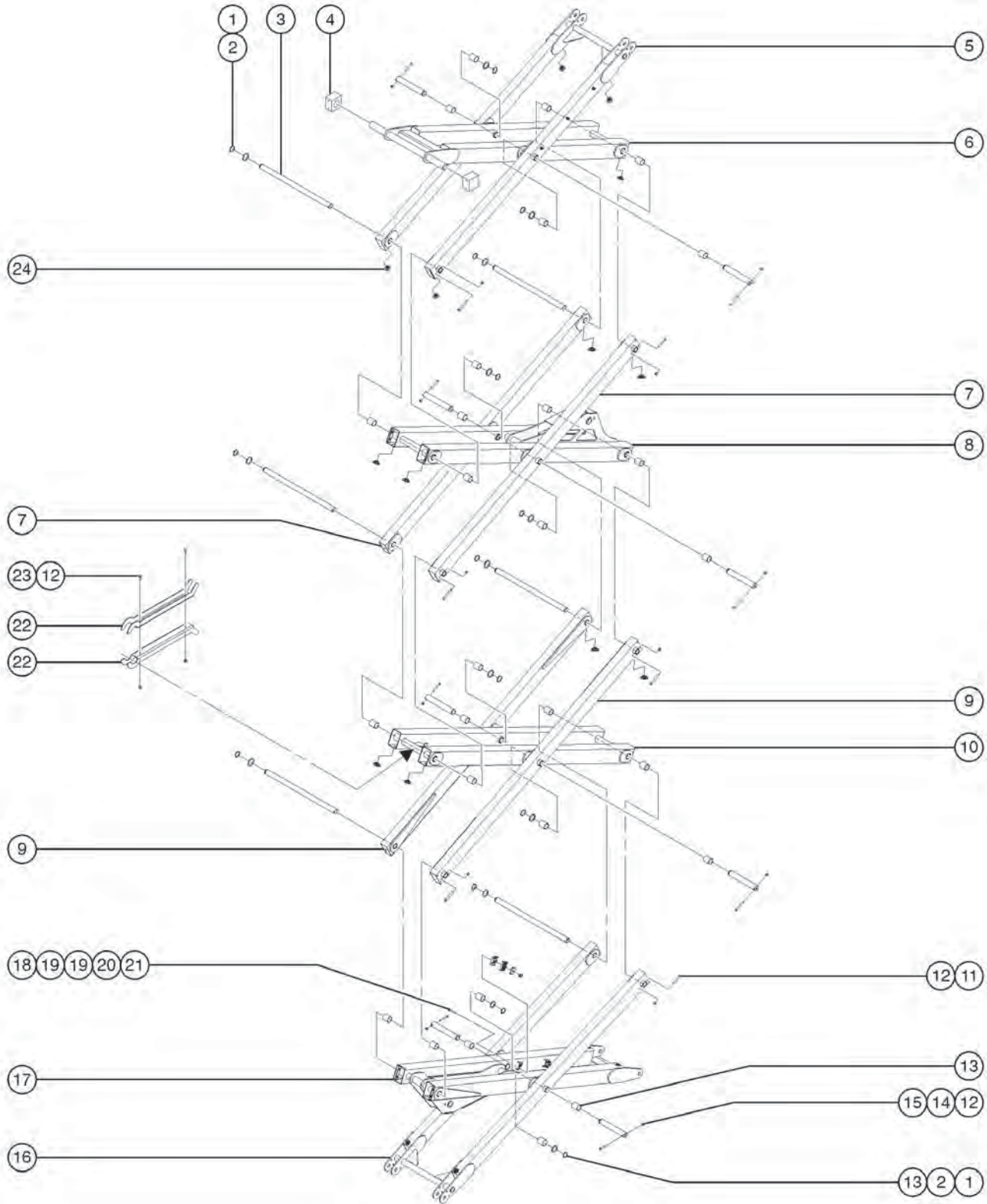


401.1 Scissor Components, GS-2669DC

Item	Part No.	Description	Qty.	Item	Part No.	Description	Qty.
1	131874	WLDMNT,PLATFORM SPACER, 2669.....	1	31	112099	WEAR PAD,SLIDER FOOT,LOWER.....	2
2	112127	ASSY,LINK,INNER #3, 2669..... <i>(includes item #6)</i>	1	32	131903	WELDMENT,SLIDER FOOT, GS2669.....	2
--	105214	CABLE TIE MOUNT, WINGED		33	30434	BEARING,1.25IDX1.50ODX0.88L....	4
--	28443	CABLE TIE,11.5" BLACK.....	8	34	112100	WEAR PAD,SLIDER FOOT,UPPER.....	4
3	14033	SCREW,HHC,3/8-16 X 2.75.....	6	35	96905	BOLT,CARRIAGE,1/4-20 X 2.5,G2	
4	148433	PIN,CENTER LINK,GS69.....	9	36	78736	CLAMP,2 HOSE,PLASTIC,5/8.....	8
5	4828	NUT,NYLOCK,3/8-16.....	12	37	112589	PLATE,HOSE ROUTING,BULKHEAD.....	4
6	T108138	BEARING,1.50IDX1.75ODX2.00L..	20	38	6091	NUT,NYLOCK,1/4-20	
7	18383	SNAP RING,EXTERNAL,1.5 DIA***	10	39	T108137	WLDMT,LINK,OUTER,#2..... <i>(decals not included, refer to section 100)</i>	1
8	T108139	WASHER,FLAT,1.510X2.125.....	10	40	112124	ASSY,LINK,INNER #2..... <i>(includes item #6) (decals not included, refer to section 100)</i>	1
9	112375	BEARING,FL,1.25IDX1.50ODX.44LG.4		41	112195	FORMING, SAFETY ARM.....	2
10	6198	NUT,NYLOCK,1/2-13.....	14	42	64154	BOLT,CARRIAGE,3/8-16 X1.00,G5.....	2
11	96977	BOLT,CARRIAGE,1/2-13X1.50,GR5.6		43	T109734	BUMPER,LINKS,GS69.....	16
12	112229	WELDMENT,PLATFORM PIVOT,2669.....	1	44	112076	WELDMENT,LINK,TOP OUTER,GS69.....	1
13	112115	PIN,1.25 DIA X 5.00 LG,1 HOLE....	4	--	28443	CABLE TIE,11.5" BLACK.....	8
14	22788	SCREW,HHC,1/2-13 X 1.75.....	4	45	148434	PIN,END LINK,GS69.....	4
15	30418	ROD END,.50 X 4.....	8	46	6326	SCREW,HHC,3/8-16 X 3.....	4
16	6096	SCREW,HHC,1/2-13 X 2 GR5.....	4	47	112708	SLIDER BLOCK, GS69.....	2
17	112121	PIN, CYLINDER, LONG.....	2				
18		Ref. Lift Cylinders <i>(refer to 603.1)</i>					
19	10598	SCREW,HHC,1/2-13 X 3.....	2				
20	112116	PIN,1.50 DIA X 2.75 LG,1 HOLE....	2				
21	131899	WELDMENT,CHASSIS LINK PVT,2669.....	1				
22	49821	SCREW,PHILLIPS,PHM,8-32 X 1.25.....	4				
23	35461	WASHER,FLAT,MS,#8,Y.....	4				
24	18605	NUT,NYLOCK,8-32.....	4				
25	148317	FORMING,DOWN LIMIT SWITCH MNT.....	1				
26	8177	SCREW,HHC,1/2-13 X 1.5.....	1				
27	148236	SWITCH,LIMIT,PLUNGER,SMALL..	2				
28	112350	BRG,FL,1.5ID X 1.75OD X .5 LG....	2				
29	112123	ASSY,LINK,INNER #1..... <i>(includes item #6 and item #28)</i>	1				
30	112070	WELDMENT,LINK,OUTER #1.....	1				



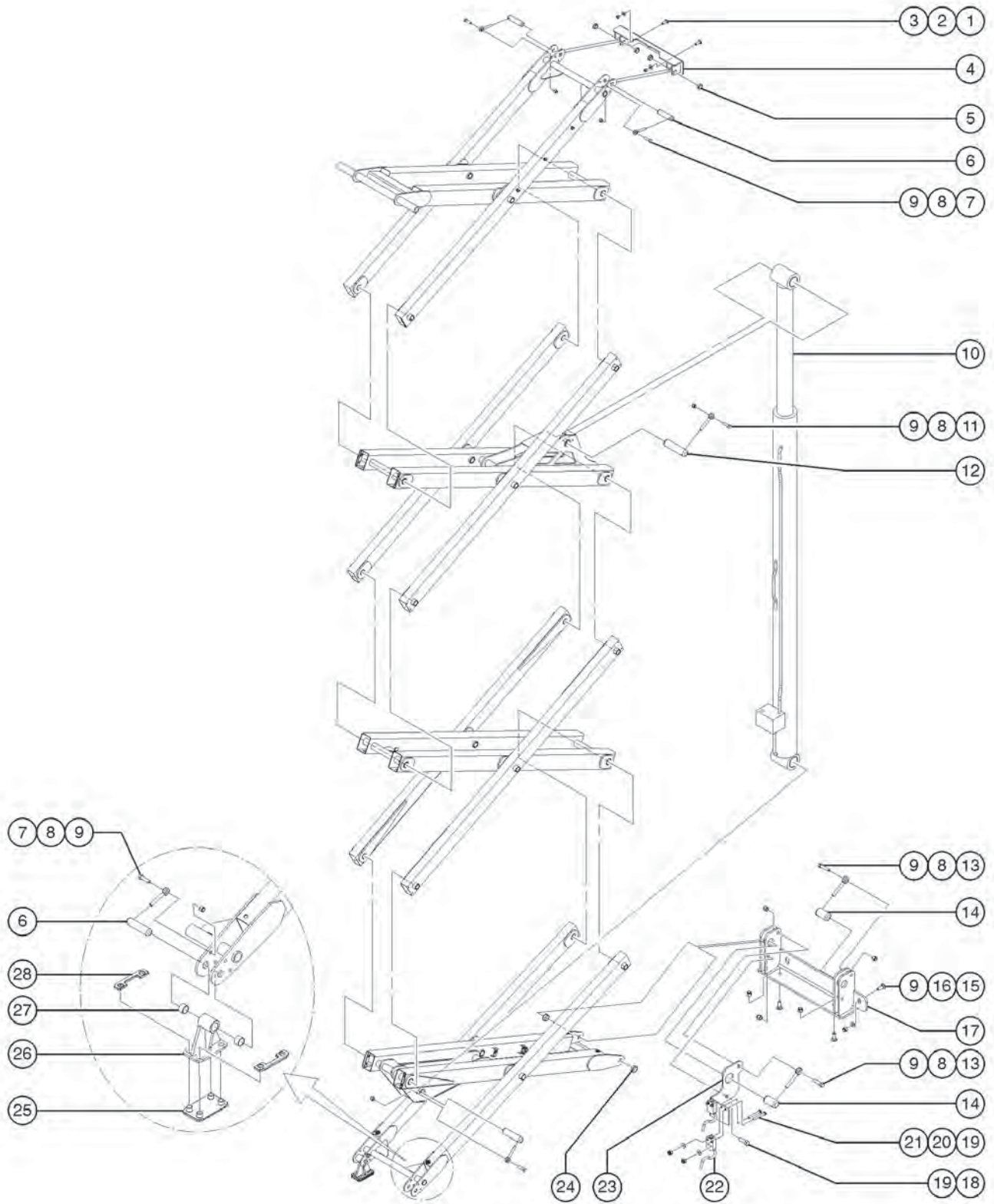
402.1 Scissor Components, GS-3369DC, View 1



402.1 Scissor Components, GS-3369DC, View 1

Item	Part No.	Description	Qty.
1	18383	SNAP RING,EXTERNAL,1.5 DIA***.....	14
2	T108139	WASHER,FLAT,1.510X2.125.....	14
3	148434	PIN,END LINK,GS69.....	6
4	112708	SLIDER BLOCK, GS69.....	2
5	112076	WELDMENT,LINK,TOP OUTER,GS69.....	1
--	40928	CABLE TIE,BUTTON,BLACK,10.00LG	
6	112134	ASSY,LINK,INR #4-3369,#5-4069.... (includes item #13)	1
7	112072	WELDMENT,LINK,OUTER #2,3,4....	2
8	131687	ASSY,LINK,INNER #3, 3369..... (includes item #13)	1
9	T108137	WLDMT,LINK,OUTER,#2..... (decals not included, refer to section 100)	1
--	112124	ASSY,LINK,INNER #2..... (includes item #13)	1
11	6326	SCREW,HHC,3/8-16 X 3	
12	4828	NUT,NYLOCK,3/8-16	
13	T108138	BEARING,1.50IDX1.75ODX2.00L..	28
14	148433	PIN,CENTER LINK,GS69.....	8
15	14033	SCREW,HHC,3/8-16 X 2.75	
16	112070	WELDMENT,LINK,OUTER #1.....	1
17	112123	ASSY,LINK,INNER #1..... (includes item #13)	1
18	96905	BOLT,CARRIAGE,1/4-20 X 2.5,G2.....	4
19	78736	CLAMP,2 HOSE,PLASTIC,5/8.....	8
20	112589	PLATE,HOSE ROUTING,BULKHEAD.....	4
21	6091	NUT,NYLOCK,1/4-20.....	4
22	112195	FORMING, SAFETY ARM.....	2
23	64154	BOLT,CARRIAGE,3/8-16 X1.00,G5.....	2
24	T109734	BUMPER,LINKS,GS69.....	24

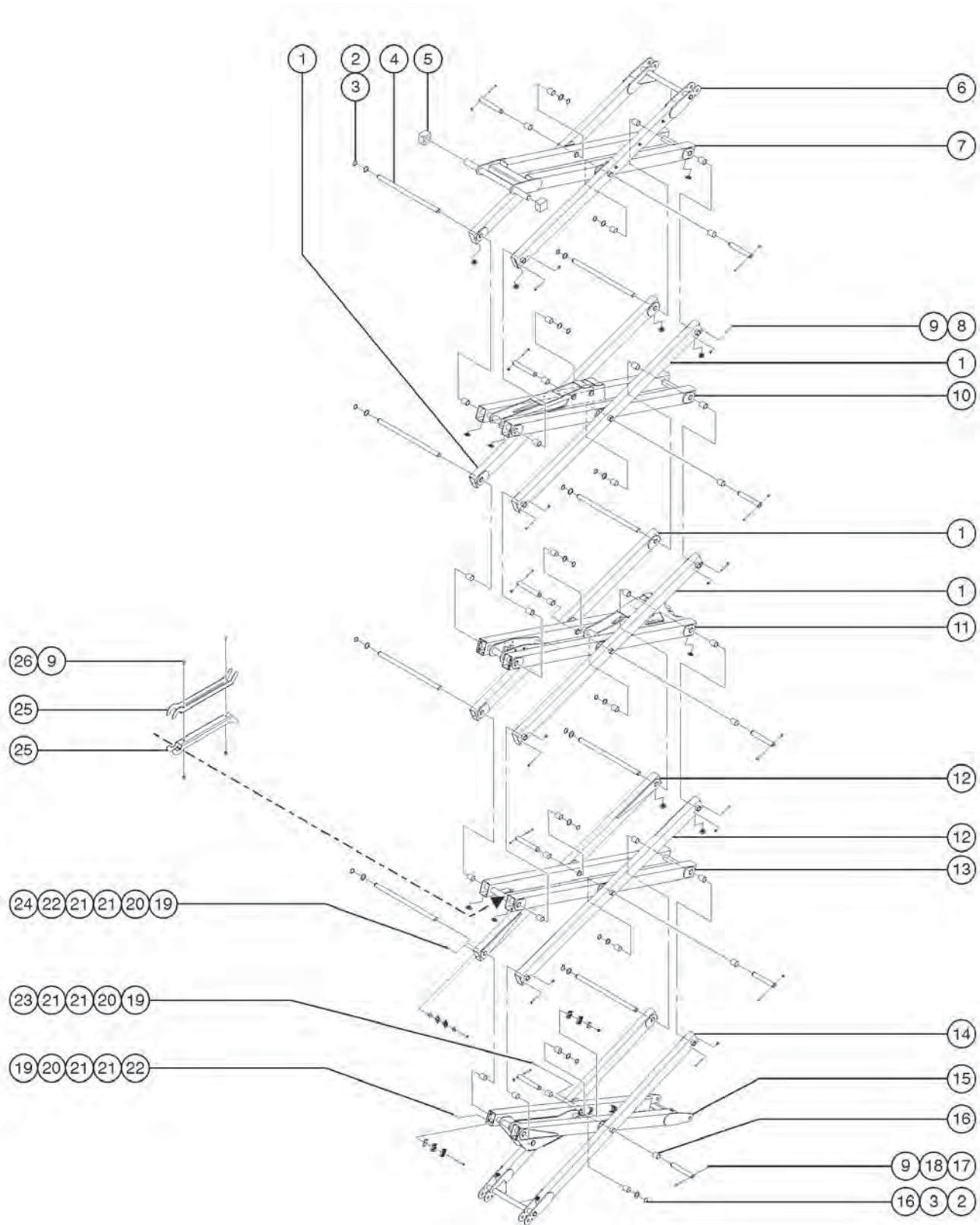
403.1 Scissor Components, GS-3369DC, View 2



403.1 Scissor Components, GS-3369DC, View 2

Item	Part No.	Description	Qty.
1	96977	BOLT,CARRIAGE,1/2-13X1.50,GR5	
2	6097	WASHER,FLAT,USS,3/8",Y	
3	4828	NUT,NYLOCK,3/8-16	
4	112136	WELDMENT,PLAT PIVOT,33/4069.....1	
5	112375	BEARING,FL,1.25IDX1.50ODX.44LG.4	
6	112115	PIN,1.25 DIA X 5.00 LG,1 HOLE.....4	
7	22788	SCREW,HHC,1/2-13 X 1.75	
8	30418	ROD END,.50 X 4.....8	
9	6198	NUT,NYLOCK,1/2-13	
10		Ref. Lift Cylinders (refer to 603.1)	
11	6096	SCREW,HHC,1/2-13 X 2 GR5	
12	112121	PIN, CYLINDER, LONG.....2	
13	10598	SCREW,HHC,1/2-13 X 3.....2	
14	112116	PIN,1.50 DIA X 2.75 LG,1 HOLE.....2	
15	96203	BOLT,CARRIAGE,1/2-13X1.75, G5.....2	
16	6095	WASHER,FLAT,USS,1/2",Y	
17	112210	WLDMT,CHASSIS LINK PVT,33/4069.....1	
18	8177	SCREW,HHC,1/2-13 X 1.5	
19	49821	SCREW,PHILLIPS,PHM,8-32 X 1.25	
20	35461	WASHER,FLAT,MS,#8,Y	
21	18605	NUT,NYLOCK,8-32	
22	148236	SWITCH,LIMIT,PLUNGER,SMALL..2	
23	148317	FORMING,DOWN LIMIT SWITCH MNT.....1	
24	112350	BRG,FL,1.5ID X 1.75OD X .5 LG.....2	
25	112099	WEAR PAD,SLIDER FOOT,LOWER.....2	
26	112177	WELDMENT,SLIDER FOOT, 32/4069.....2	
27	30434	BEARING,1.25IDX1.50ODX0.88L....4	
28	112100	WEAR PAD,SLIDER FOOT,UPPER.....4	

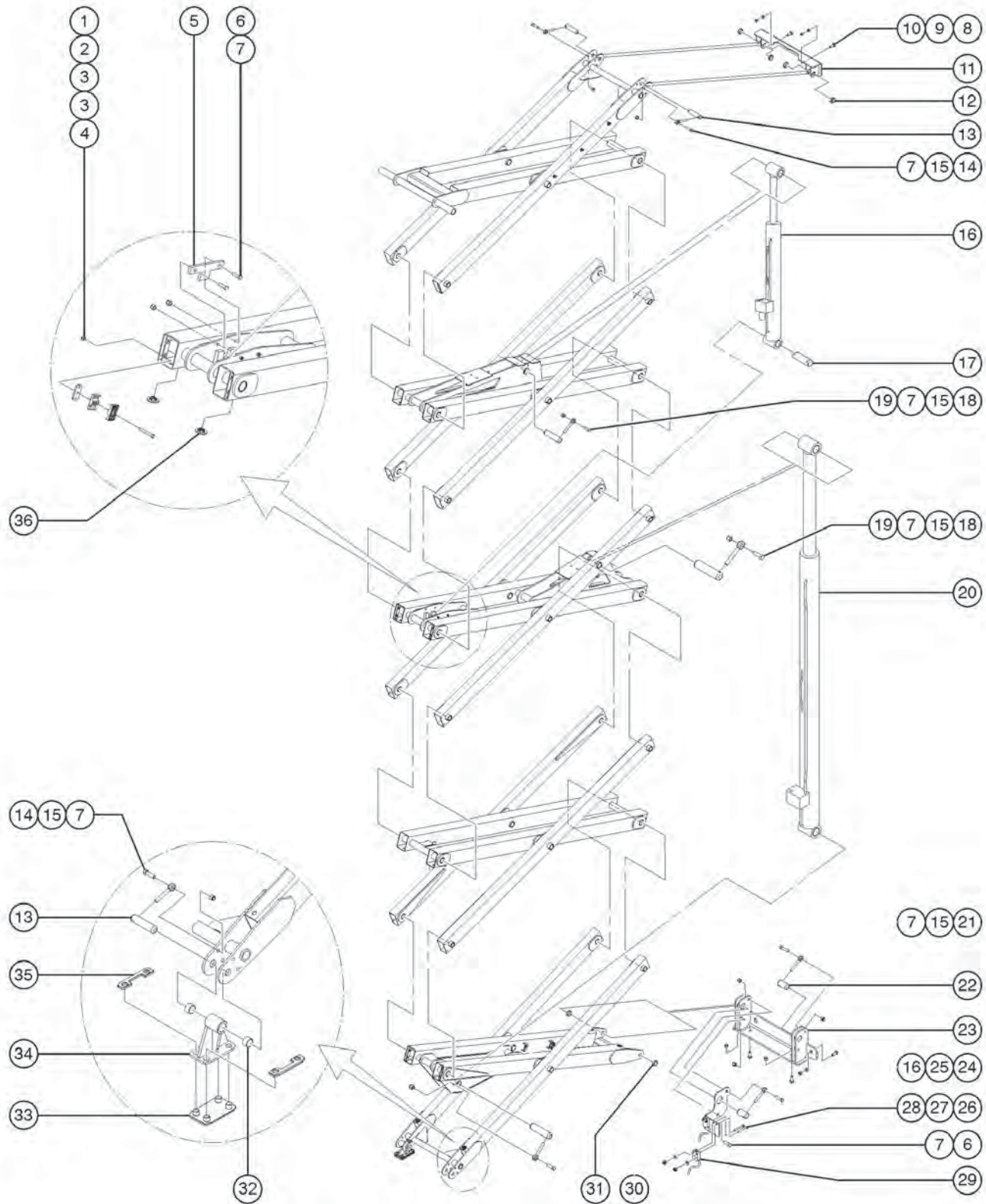
404.1 Scissor Components, GS-4069DC, View 1



404.1 Scissor Components, GS-4069DC, View 1

Item	Part No.	Description	Qty.
1	112072	WELDMENT, LINK, OUTER #2,3,4....4	
2	18383	SNAP RING, EXTERNAL, 1.5 DIA***	18
3	T108139	WASHER, FLAT, 1.510X2.125	
4	148434	PIN, END LINK, GS69.....	8
5	112708	SLIDER BLOCK, GS69.....	2
6	112076	WELDMENT, LINK, TOP OUTER, GS69.....	1
7	112134	ASSY, LINK, INR #4-3369, #5-4069.... (includes item #16)	1
8	6326	SCREW, HHC, 3/8-16 X 3	
9	4828	NUT, NYLOCK, 3/8-16	
10	112126	ASSY, LINK, INNER #4, 4069..... (includes item #16)	1
11	112125	ASSY, LINK, INNER #3, 4069..... (includes item #16)	1
12	T108137	WLDMT, LINK, OUTER, #2..... (decals not included, refer to section 100)	1
13	112124	ASSY, LINK, INNER #2..... (includes item #16)	1
14	112070	WELDMENT, LINK, OUTER #1.....	1
15	112123	ASSY, LINK, INNER #1.....	1
--	40928	CABLE TIE, BUTTON, BLACK, 10.00LG	
16	T108138	BEARING, 1.50IDX1.75ODX2.00L	
17	14033	SCREW, HHC, 3/8-16 X 2.75	
18	148433	PIN, CENTER LINK, GS69.....	10
19	6091	NUT, NYLOCK, 1/4-20	
20	112589	PLATE, HOSE ROUTING, BULKHEAD.....	7
21	78736	CLAMP, 2 HOSE, PLASTIC, 5/8.....	14
22	4266	SCREW, HHC, 1/4-20 X 2	
23	96905	BOLT, CARRIAGE, 1/4-20 X 2.5, G2	
24	228103	PLATE, BACKING, LINKS	
25	112195	FORMING, SAFETY ARM.....	2
26	64154	BOLT, CARRIAGE, 3/8-16 X1.00, G5.....	2

405.1 Scissor Components, GS-4069DC, View 2

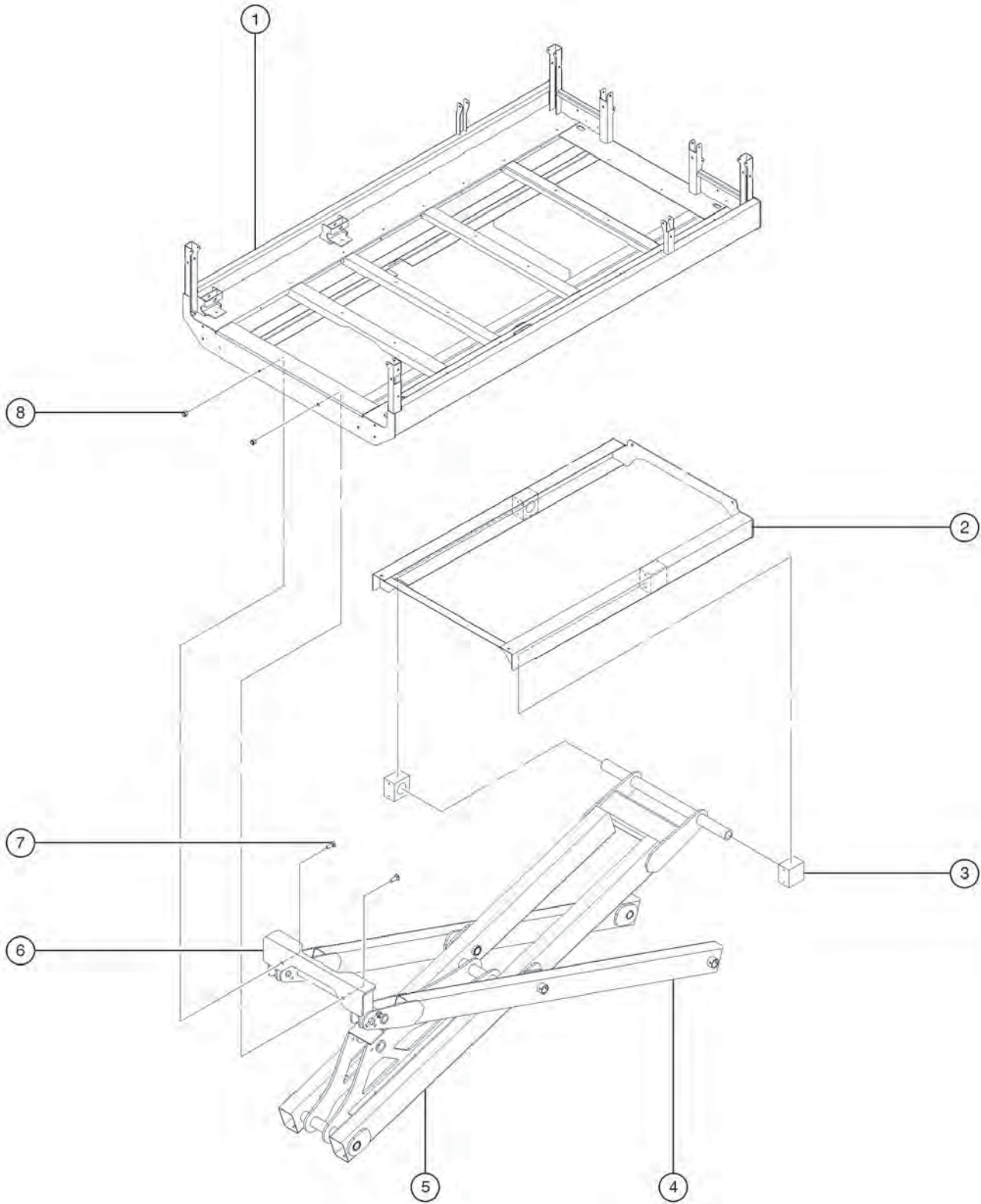


405.1 Scissor Components, GS-4069DC, View 2

Item	Part No.	Description	Qty.	Item	Part No.	Description	Qty.
1	6091	NUT,NYLOCK,1/4-20		34	112177	WELDMNT,SLIDER FOOT, 32/4069.....	2
2	112589	PLATE,HOSE ROUTING,BULKHEAD.....	1	35	112100	WEAR PAD,SLIDER FOOT,UPPER.....	4
3	78736	CLAMP,2 HOSE,PLASTIC,5/8.....	2	36	T109734	BUMPER,LINKS,GS69.....	32
4	4266	SCREW,HHC,1/4-20 X 2					
5	112106	PLATE,UPR CYL,PIN RETAINR 4069.....	2				
6	8177	SCREW,HHC,1/2-13 X 1.5					
7	6198	NUT,NYLOCK,1/2-13					
8	96977	BOLT,CARRIAGE,1/2-13X1.50,GR5					
9	6097	WASHER,FLAT,USS,3/8",Y					
10	4828	NUT,NYLOCK,3/8-16					
11	112136	WELDMNT,PLAT PIVOT,33/4069.....	1				
12	112375	BEARING,FL,1.25IDX1.50ODX.44LG					
13	112115	PIN,1.25 DIA X 5.00 LG,1 HOLE....	4				
14	22788	SCREW,HHC,1/2-13 X 1.75					
15	30418	ROD END,.50 X 4.....	9				
16		Ref. Lift Cylinders, Upper (refer to 603.1)					
17	235122	PIN,UPPER CYLINDER.....	1				
18	6096	SCREW,HHC,1/2-13 X 2 GR5					
19	112121	PIN, CYLINDER, LONG.....	3				
20		Ref. Lift Cylinders (refer to 603.1)					
21	10598	SCREW,HHC,1/2-13 X 3					
22	112116	PIN,1.50 DIA X 2.75 LG,1 HOLE....	2				
23	112210	WLDMT,CHASSIS LINK PVT,33/4069.....	1				
24	96203	BOLT,CARRIAGE,1/2-13X1.75, G5					
25	6095	WASHER,FLAT,USS,1/2",Y					
26	49821	SCREW,PHILLIPS,PHM,8-32 X 1.25					
27	35461	WASHER,FLAT,MS,#8,Y					
28	18605	NUT,NYLOCK,8-32					
29	148236	SWITCH,LIMIT,PLUNGER,SMALL..	2				
30	148317	FORMING,DOWN LIMIT SWITCH MNT.....	1				
31	112350	BRG,FL,1.5ID X 1.75OD X .5 LG....	2				
32	30434	BEARING,1.25IDX1.50ODX0.88L....	4				
33	112099	WEAR PAD,SLIDER FOOT,LOWER.....	2				



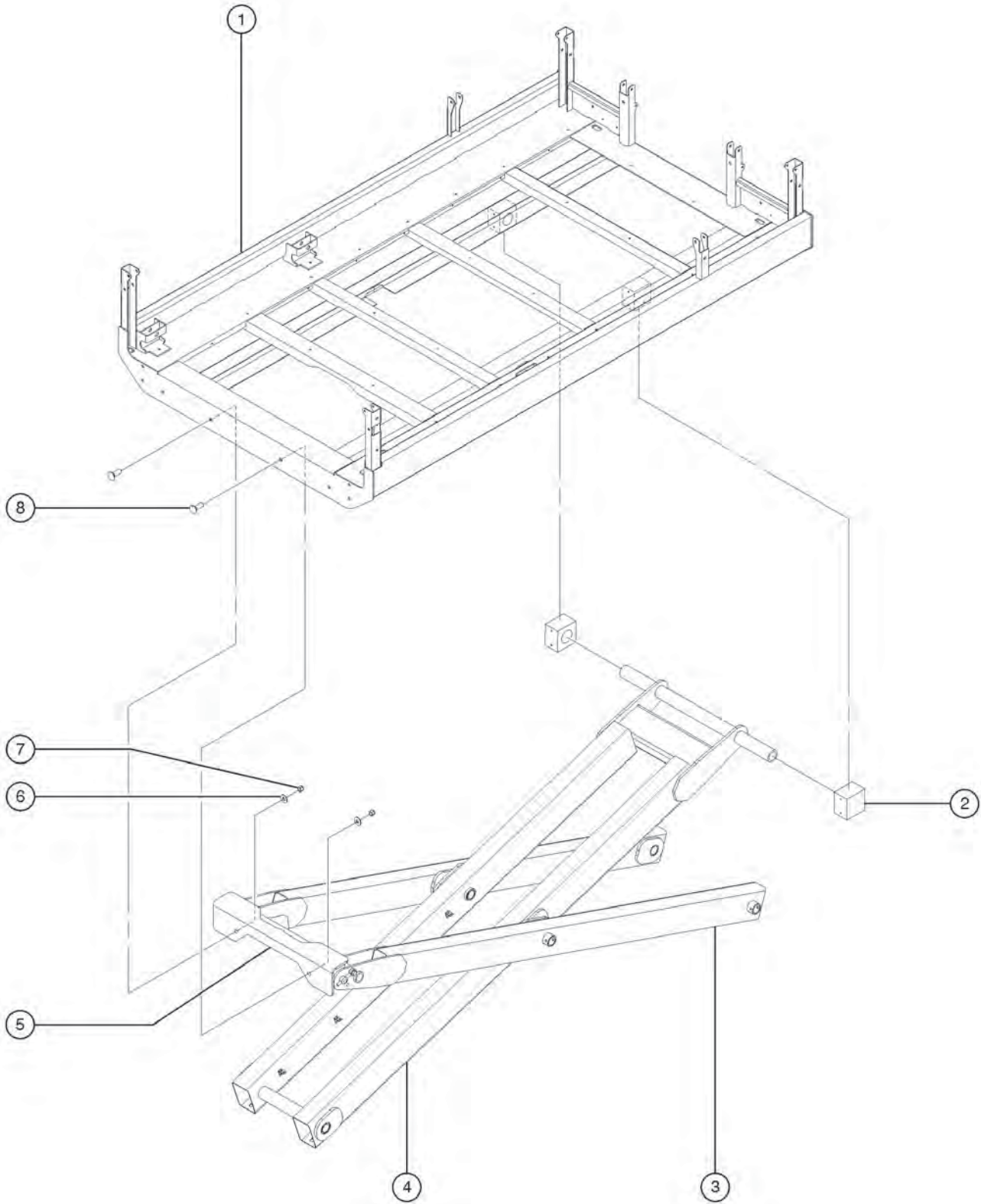
501.1 Platform Installation, GS-2669



501.1 Platform Installation, GS-2669

Item	Part No.	Description	Qty.
1	112703	WELDMENT,MAIN PLATFORM,GS69.....1 <i>(decals not included, refer to section 100)</i>	1
2		Ref. WLDMNT,PLATFORM SPACER, 2669.....1 <i>(refer to 401.1)</i>	1
3	112708	SLIDER BLOCK, GS69.....2	2
4	112076	WELDMENT,LINK,TOP OUTER,GS69.....1	1
5	112083	WELDMNT,LINK,TOP INNER,32/4069.....1	1
6	112136	WELDMENT,PLAT PIVOT,33/4069.....1	1
7	96977	BOLT,CARRIAGE,1/2-13X1.50,GR5.2	
8	6198	NUT,NYLOCK,1/2-13.....2	2

502.1 Platform Installation, GS-3369 & GS-4069

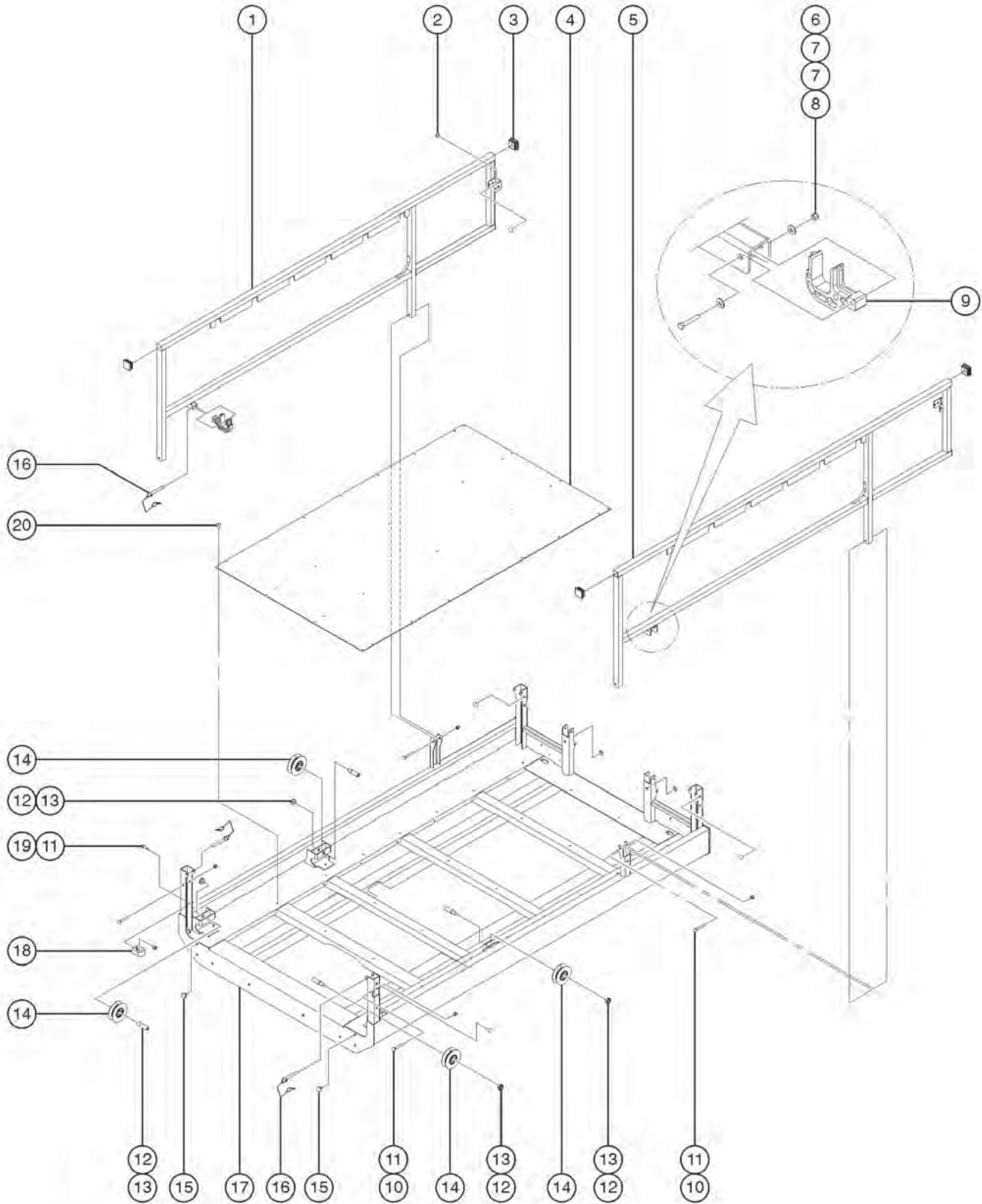


502.1 Platform Installation, GS-3369 & GS-4069

Item	Part No.	Description	Qty.
1	112703	WELDMENT,MAIN PLATFORM,GS69.....1 <i>(decals not included, refer to section 100)</i>	1
2	112708	SLIDER BLOCK, GS69.....2	2
3	112076	WELDMENT,LINK,TOP OUTER,GS69.....1	1
4	112134	ASSY,LINK,INR #4-3369,#5-4069....1 <i>(bearings included)</i>	1
5	148450	ASSY,LINK MOUNT,TOP,GS69.....1	1
6	6097	WASHER,FLAT,USS,3/8",Y	
7	4828	NUT,NYLOCK,3/8-16	
8	96977	BOLT,CARRIAGE,1/2-13X1.50,GR5	



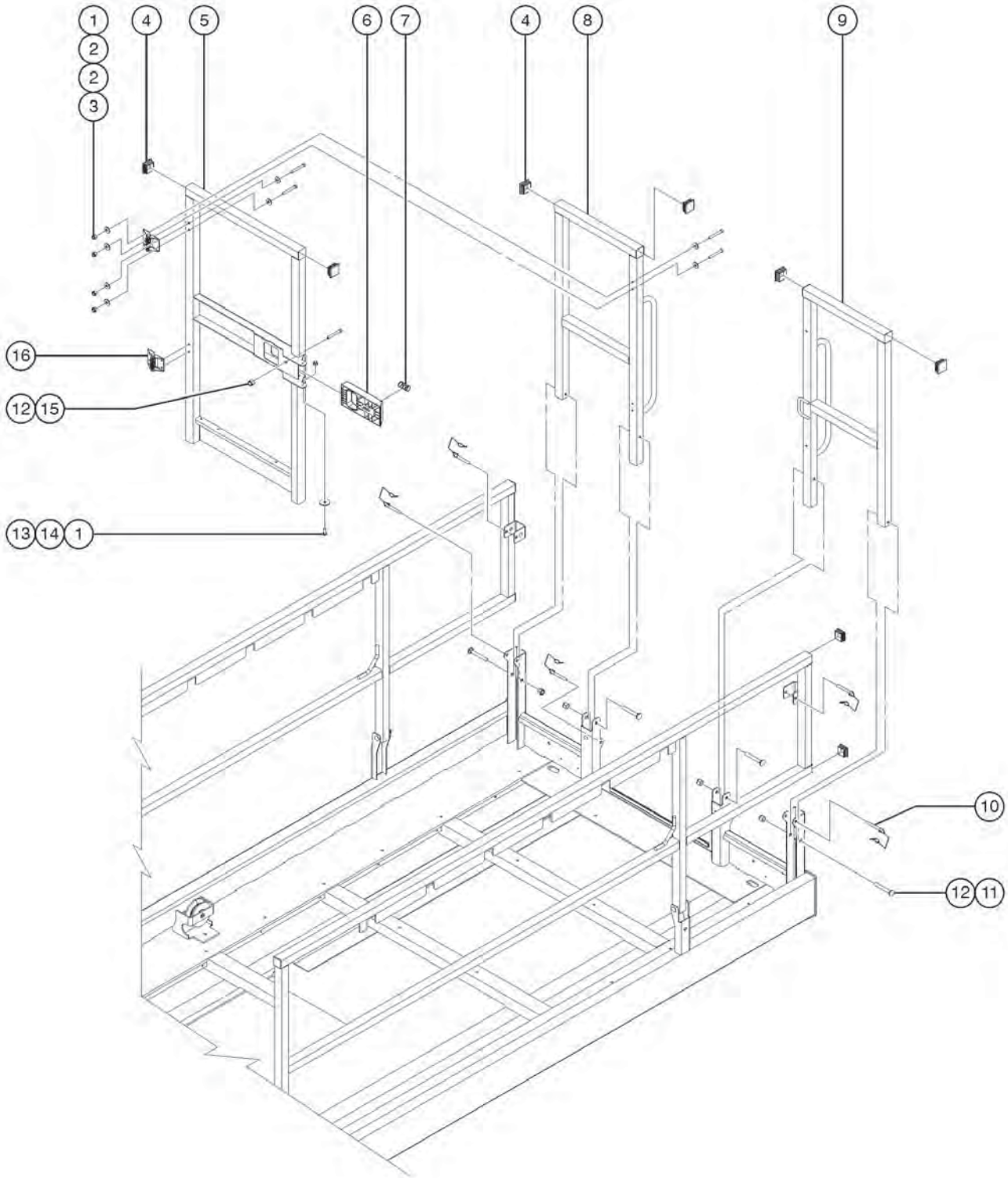
503.1 Platform Railing Installation



503.1 Platform Railing Installation

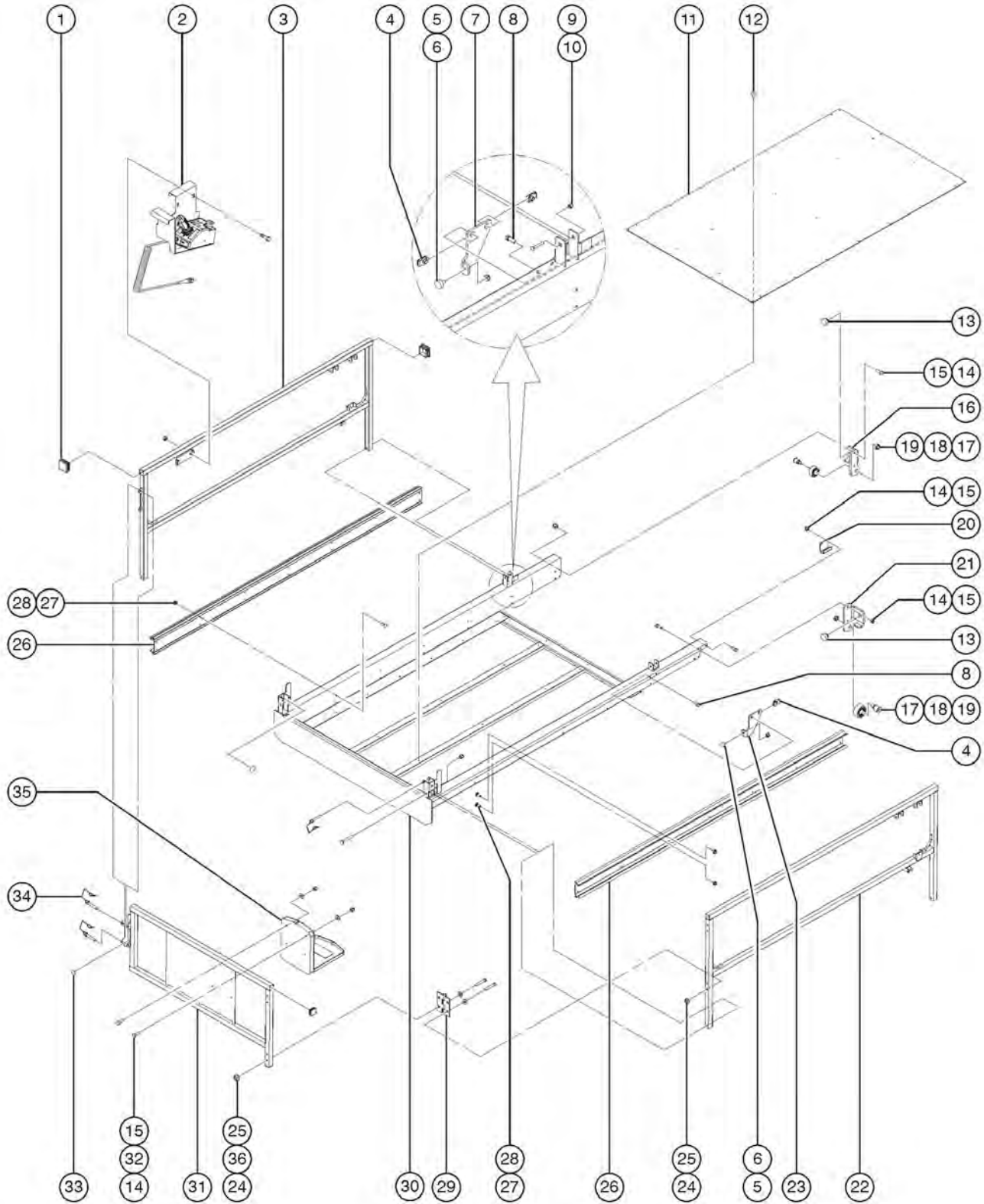
Item	Part No.	Description	Qty.
1	131744	WELDMENT,MAIN RAIL,RIGHT.....1 <i>(decals not included, refer to section 100)</i>	
2	47478	BUMPER,RUBBER,1"OD X .461 H.....10	
3	79355	PLUG,TUBE,SQ 1.50X.065.....6	
4	131749	PLATE,GS69 DECK.....1	
5	131745	WELDMENT, MAIN RAIL, LEFT.....1 <i>(decals not included, refer to section 100)</i>	
6	6091	NUT,NYLOCK,1/4-20	
7	6638	WASHER,FLAT,USS,1/4"Y	
8	6637	SCREW,HHC,1/4-20 X 1.75	
9	71376	RAIL SPACER, GS90.....2	
10	112476	BOLT,CARRIAGE,3/8-16X2.75,G5	
11	4828	NUT,NYLOCK,3/8-16	
12	38028	NUT,LP NYLOCK,5/8-11	
13	87568	PIN, SHOULDER, 5/8-11 X 1.77.....4	
14	131416	V-ROLLER,NARROW,EXT DECK....4	
15	47230	BUMPER,RUBBER.....2	
16	66030	PIN, WIRE LOCK 3/8 X 2 -1/2.....4	
17		Ref., WELDMENT, MAIN PLATFORM <i>(refer to 501.1 & 502.1)</i>	
18	87523	COIL CORD CLIP.....1	
19	6175	SCREW,HHC,3/8-16 X 1	
20	71315	RIVET,DRIVE, .25 X .25.....24	

504.1 Platform Entry Gate



Item	Part No.	Description	Qty.
1	6889	NUT,LP NYLOCK,1/4-20	
2	6638	WASHER,FLAT,USS,1/4"Y	
3	4266	SCREW,HHC,1/4-20 X 2.....	8
4	79355	PLUG,TUBE,SQ 1.50X.065.....	10
5	87320	WELDMENT,ENTRY GATE**.....	1
6	112543	SLIDER, GATE CATCH.....	1
7	22446	SPRING,COMPRESSION .835 X 2.....	1
8	131747	WELDMENT, MAIN, A-RAIL, RIGHT.....	1
9	131746	WELDMENT, MAIN, A-RAIL, LEFT.....	1
10	66030	PIN, WIRE LOCK 3/8 X 2 -1/2.....	4
11	112476	BOLT,CARRIAGE,3/8-16X2.75,G5	
12	4828	NUT,NYLOCK,3/8-16	
13	6878	BOLT,CARRIAGE,1/4-20 X .75,G2	
14	47793	BUMPER, MODULE TRAY.....	1
15	6708	SCREW,HHC,3/8-16 X 2.25	
16	104804	HINGE, SPRING, LONG LEG.....	2

505.1 Platform Extension

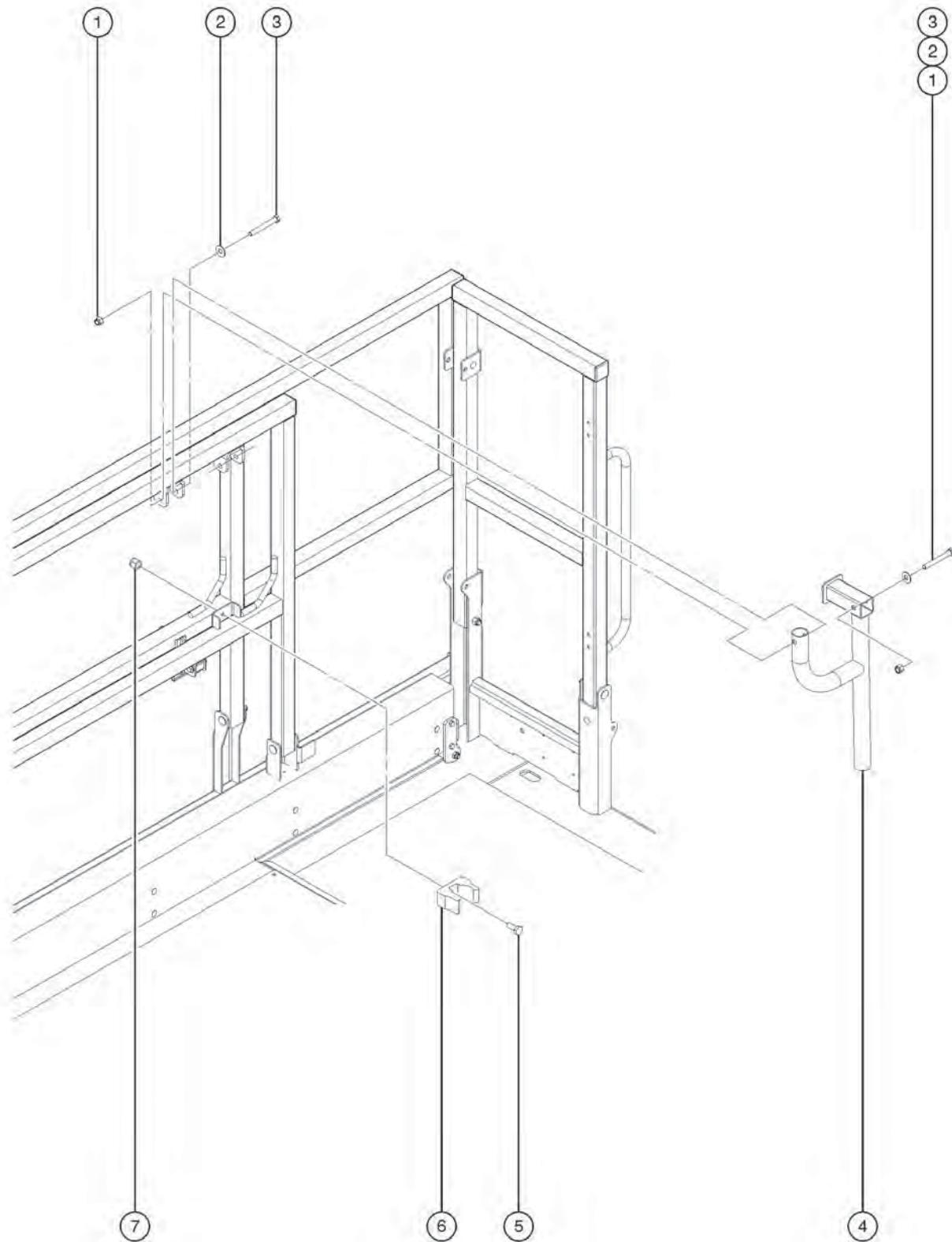


505.1 Platform Extension

Item	Part No.	Description	Qty.	Item	Part No.	Description	Qty.
--	33550	TAPE,WARNING,BLK/YEL, 50'***.....66 inches (CE and Australia models only)		29	55517	HINGE, GSRT90 BOX.....	2
1	79355	PLUG,TUBE,SQ 1.50X.065.....	8	30	131735	WELDMENT,EXT.DECK,GS69.....	1
2		Ref. Platform Controller (refer to 508.1)		31	131742	WELDMENT,EXT DECK RAIL,END.....	1 (decals not included, refer to section 100)
3	131743	WELDMENT,SIDE EXT RAIL,RIGHT.....	1 (decals not included, refer to section 100)	32	6638	WASHER,FLAT,USS,1/4"Y	
4	29868	SPRING CLIP,3/8-16.....	4	33	47478	BUMPER,RUBBER,1"OD X .461 H.....	4
5	79090	BUMPER, 1.00 X .375 X 5/16.....	2	34	66030	PIN, WIRE LOCK 3/8 X 2 -1/2.....	4
6	6782	NUT,NYLOCK,5/16-18		35	24514	BOX,INSTRUCTION STORAGE.....	1
7	99268	FORMING,PLATFORM STOP,LEFT.....	1	36	219210	WASHER,FLAT,SAE,3/8",Y	
8	6175	SCREW,HHC,3/8-16 X 1					
9	112476	BOLT,CARRIAGE,3/8-16X2.75,G5					
10	4828	NUT,NYLOCK,3/8-16					
11	131749	PLATE,GS69 DECK.....	1				
12	71315	RIVET,DRIVE, .25 X .25.....	24				
13	47230	BUMPER,RUBBER.....	2				
14	6090	SCREW,HHC,1/4-20 X .75					
15	6091	NUT,NYLOCK,1/4-20					
16	87570	FORMING,EXT DECK STOP,RIGHT.....	1				
17	7713	NUT,LP NYLOCK,3/8-16					
18	38016	ROLLER,PLASTIC,AWP96**.....	2				
19	35706	BOLT,ROLLER,.470"(SHORT).....	2				
20	87675	FORMING,EXT DECK CATCH.....	2				
21	87571	FORMING,EXT DECK STOP,LEFT.....	2				
22	131741	WELDMENT,SIDE EXT RAIL,LEFT.....	1 (decals not included, refer to section 100)				
23	99267	FORMING,PLATFORM STOP,RIGHT.....	1				
24	48425	NUT,LOCKING-LRG.FLANGE,3/8-16					
25	6708	SCREW,HHC,3/8-16 X 2.25					
26	131751	EXTRUSION,ALUM,V-ROLLER TRK.....	2				
27	87645	BOLT,CARRIAGE,1/4-20 X .63,G2					
28	6889	NUT,LP NYLOCK,1/4-20					



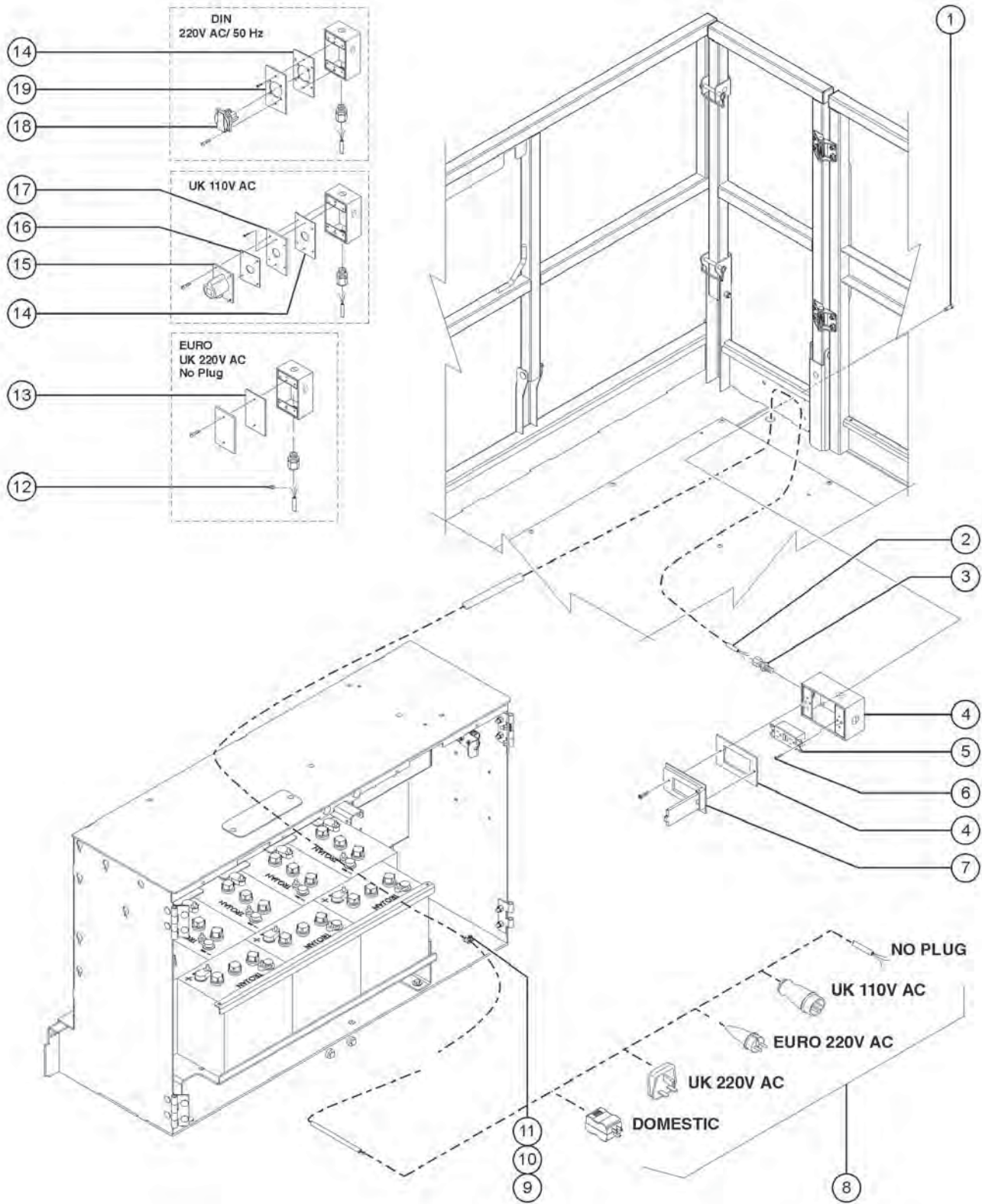
506.1 Platform Extension Deck Lock



506.1 Platform Extension Deck Lock

Item	Part No.	Description	Qty.
1	4828	NUT,NYLOCK,3/8-16	
2	6097	WASHER,FLAT,USS,3/8",Y	
3	6326	SCREW,HHC,3/8-16 X 3.....	4
4	148422	WLDMT,EXT DECK HANDLE.....	2
5	8914	SCREW,HHC,1/4-20 X .625.....	2
6	T108074	UHMW,EXT LATCH ARM CATCH....	2
7	6889	NUT,LP NYLOCK,1/4-20	

507.1 Power to Platform

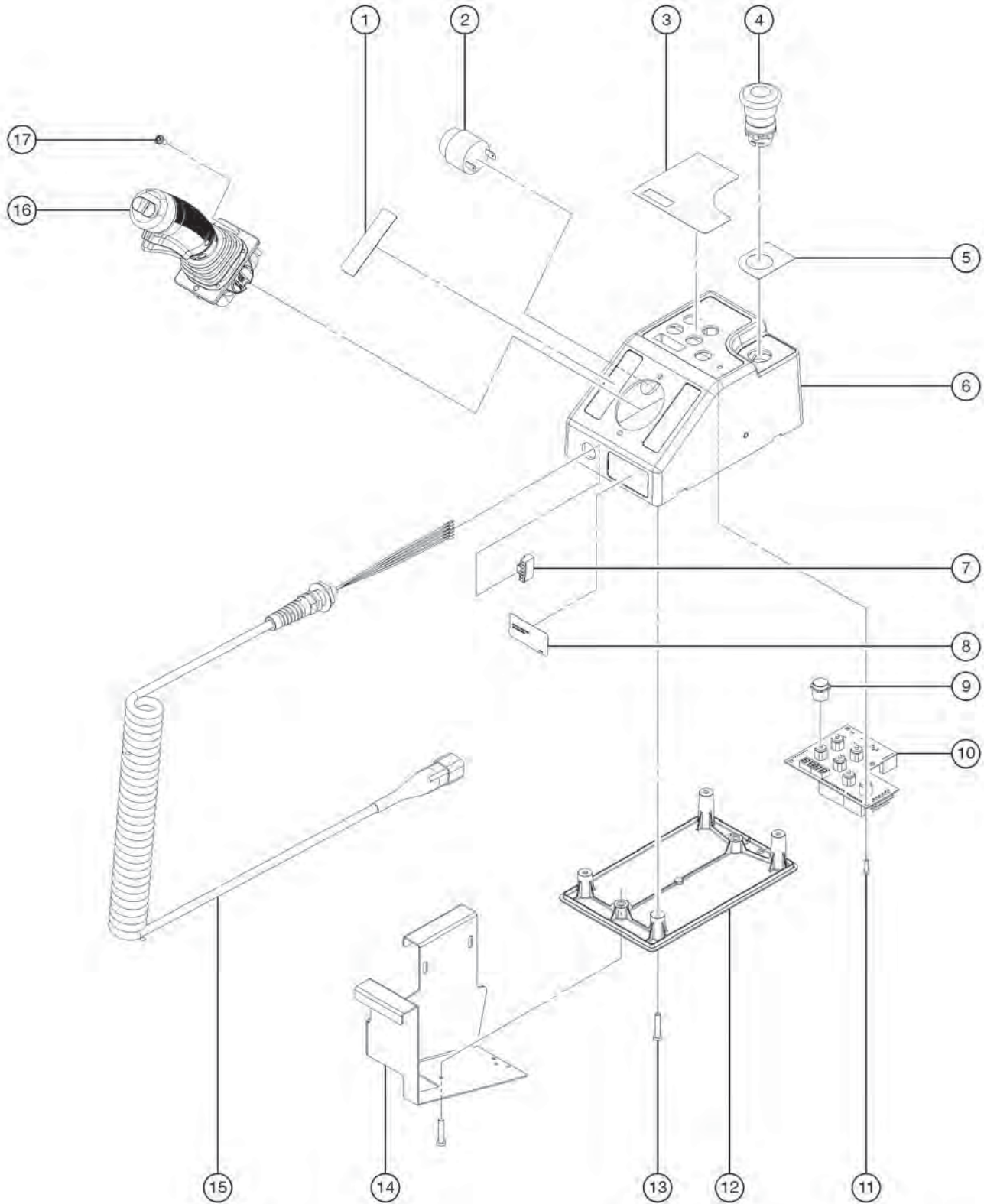


507.1 Power to Platform

Item	Part No.	Description	Qty.	Item	Part No.	Description	Qty.
--	33724	KIT,GASKET,UK POWER TO PLAT. <i>(includes items 14 and 16)</i>		16	66356	GASKET, UK RECEPTACLE.....1	
1	112772	SCREW,PHM,8-32X.438		17	33629	PLATE,UK POWER TO PLATFORM.....1	
2A	43956	WIRE CABLE,14/3 CON.TPE JKT*.....624-inches GS-2669		18	66353	RECEPTACLE, DIN, 220V 50A.....1	
2B	43956	WIRE CABLE,14/3 CON.TPE JKT*.....756-inches GS-3369		19	96236	PLATE,AC ADAPTER,DIN/UK***.....1	
2C	43956	WIRE CABLE,14/3 CON.TPE JKT*.....900-inches GS-4069					
3	7056	CONN,SQUEEZE,1/2NPT .38-.50,SM					
4	10775	T-BOX,2.75 X 4.5 X 2.0.....1					
5	13585	OUTLET,110V GFCI***.....1 <i>(North America)</i>					
6	7127	SCREW,PHILLIPS,PHM,6-32 X .75					
7	45437	COVER,GFCI,WEATHERPROOF....1 <i>(North America; includes gasket and mounting fasteners)</i>					
8	6595	PLUG,ELECTRICAL,DOMESTIC.....1					
--		FUSE,13 AMP,220V PLUG <i>(component no longer available for plug 25388) refer to BS1362 BUSS TDC180-13A</i>					
--	144161	PLUG,PWR,UK,16AMP,3PIN,BLK					
--	25388	PLUG,FUSED,250V,13AMP,U.K.**					
--	6666	PLUG,ELECTRICAL,220/50,NOVON					
--	87193	PLUG, AUSTRALIAN					
--	REF.	NO PLUG <i>Ref. No Plug - Consult Factory</i>					
9	6090	SCREW,HHC,1/4-20 X .75					
10	6091	NUT,NYLOCK,1/4-20					
11	45470	CLAMP,0.31,#5 X 1/4,RUB CUSH....1					
12	6626	WIRE CAP,ORANGE.....3					
13	10777	COVER,BLANK.....1 <i>(includes mounting fasteners)</i>					
14	66355	GASKET, UK & DIN PWR. TO PLAT.....1					
15A	T112563	SVC KIT,UK RECEPT.REPLACEMENT.....1 <i>to SN GS6912-1574 (includes mounting plate, gasket, fasteners)</i>					
15B	T112560	RECEPTACLE,UK,110V <i>from SN GS6912-1575</i>					



508.1 Platform Controls

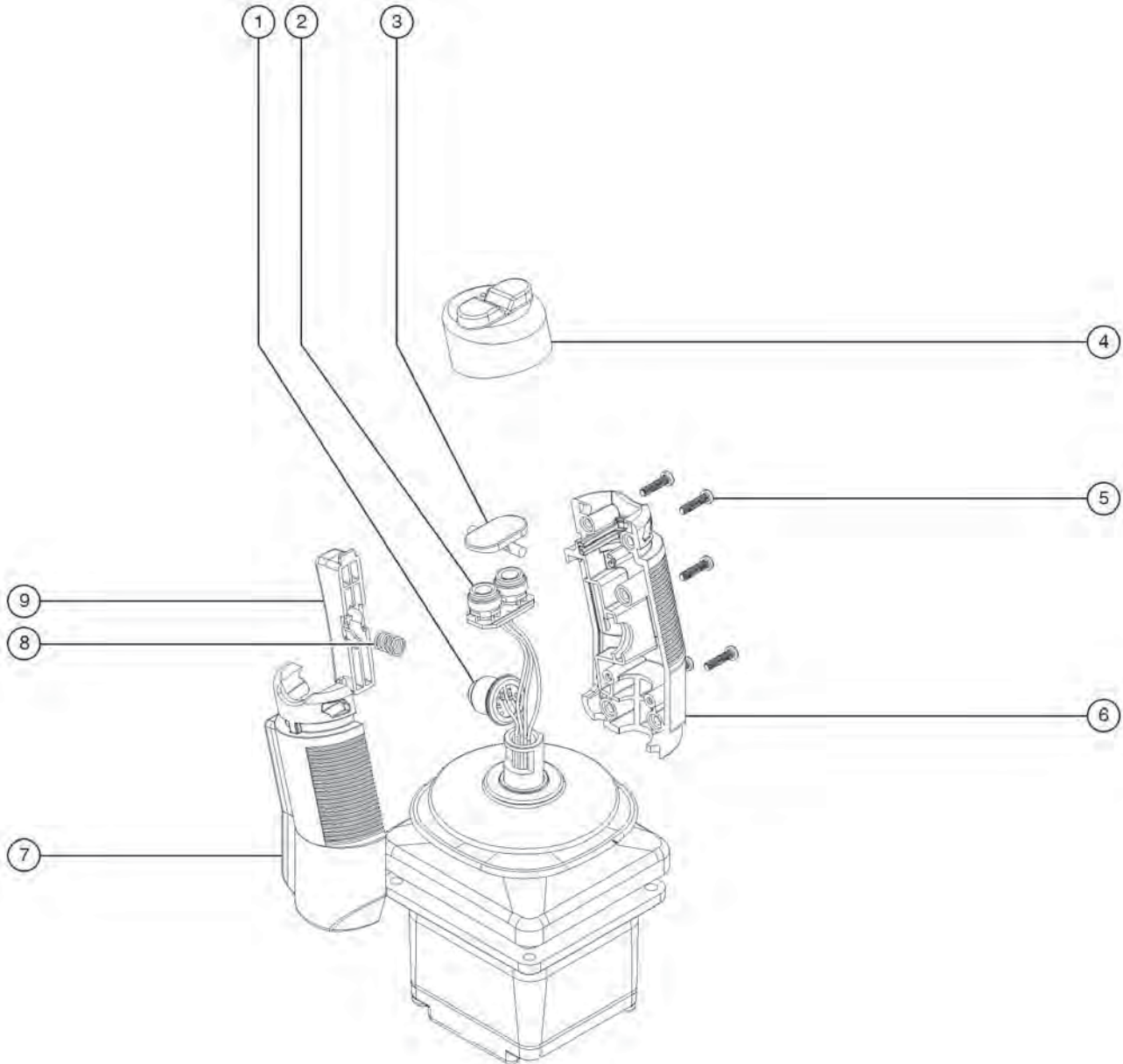


508.1 Platform Controls

Item	Part No.	Description	Qty.	Item	Part No.	Description	Qty.
--	237613	PCON, 69DC SL1K <i>(standard)</i>		--	137611	ASSY, COIL CORD, GR/GRC/GS	
--	217991	PCON,69DC,OUTRIGGER,SL1K <i>(option) (for models with outriggers)</i>		16		Ref., JOYSTICK.....1 <i>(refer to 509.1)</i>	
1	137656	DECAL,PROPEL,GR/GRC/GS,PCON.1		17	229845	SCREW,BHSCS,M5X10,SS <i>apply Loctite 243 or equivalent before installation</i>	
2	39540	ALARM,STEADY TONE***.....1					
--	72326	NUT - PLASTIC,RING FOR ALARMS.....1					
3		Ref., DECAL,PCON <i>(refer to section 100)</i>					
4	66812	E-STOP BUTTON.....1					
--	66817	BASE WITH 1 NC CONTACT, E-STOP					
--	66818	CONTACT,NC					
5	137605	DECAL,E-STOP,GR/GRC/GS PCON.....1					
6	214253	ENCLOSURE,GC14-1,TOP.....1 <i>(standard)</i>					
--	214254	ENCLOSURE,GC16-1,TOP <i>(option) (for models with outriggers)</i>					
7	137699	PLUG, 6POS ECO PWR.....1					
8	237615	LABEL,SERIAL 69 DC PCON SL1K.....1 <i>(standard)</i>					
--	218050	LABEL,PCON,69DC,OUTRIGGER <i>(option) (for models with outriggers)</i>					
9	T106373	CAP,BUTTON,K12.....5 <i>(standard)</i>					
--	T106373	CAP,BUTTON,K12.....6 <i>(option) (for models with outriggers)</i>					
10	137522	PCBA, GC14-1.....1 <i>(standard)</i>					
--	137711	PCBA, GC16-1 <i>(option) (for models with outriggers)</i>					
11	137637	SCREW,PHM,4-20X.5, 48-2 TRI-L					
12	T106370	ENCLOSURE,GC14-1/GC16-1, BOT.....1					
--	69853	INSERT, 1/4-20 X .5,ULTRASONIC					
13	137640	SCREW,PHM,8-16X.75, 48-2 TRI-L					
14	T114397	FORMING,PLAT CONTROL BOX....1 <i>(decals not included, refer to section 100)</i>					
15	235464	KIT,COIL CORD,CONTRLR,SL1000.....1 <i>includes item 7</i>					



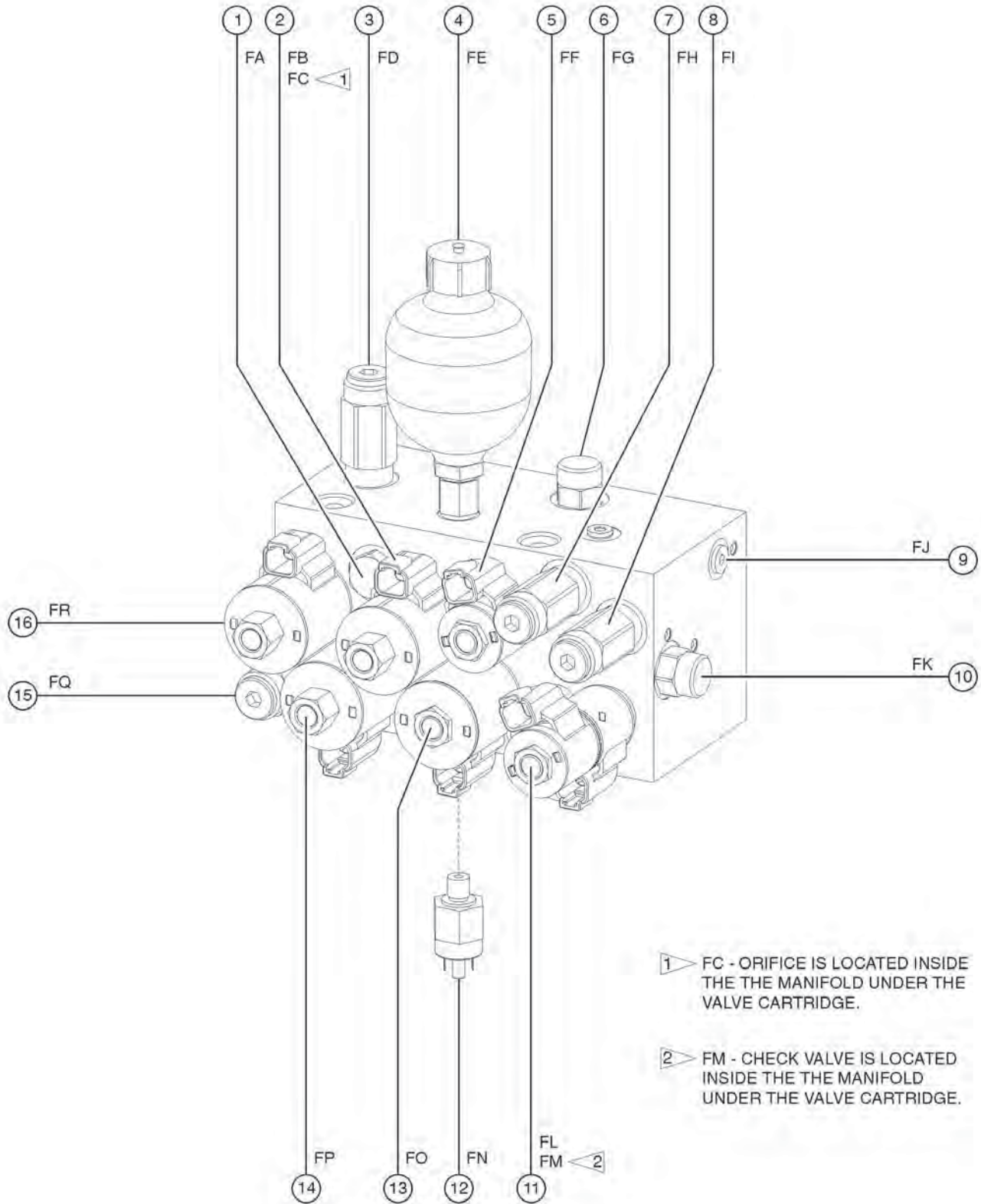
509.1 Platform Controls Joystick



509.1 Platform Controls Joystick

Item	Part No.	Description	Qty.
--	137634	JOYSTICK, HALL EFFECT, SINGLE	
--	229097	TERMINAL, SPLINE (AMP)	
--	214544	KIT,BOOT,JOYSTICK,SL1000 <i>joystick boot</i>	
1	235463	KIT,SWITCH,JYSTK,SL1000 <i>function enable and steer switches</i>	
2	235463	KIT,SWITCH,JYSTK,SL1000 <i>function enable and steer switches</i>	
3	229092	ROCKER,2 SWITCH.....	1
4	229093	BOOT, 2 SWITCH, SILICON.....	1
5	229086	SCREW, SELF TAP.....	5
6	229087	HANDLE HALF,RIGHT,W/TOP SWITCH.....	1
7	229088	HANDLE HALF,LEFT,W/TOP SWITCH.....	1
8	229094	SPRING, HANDLE TRIGGER.....	1
9	229089	TRIGGER, EXTENDED.....	1

601.1 Function Manifold

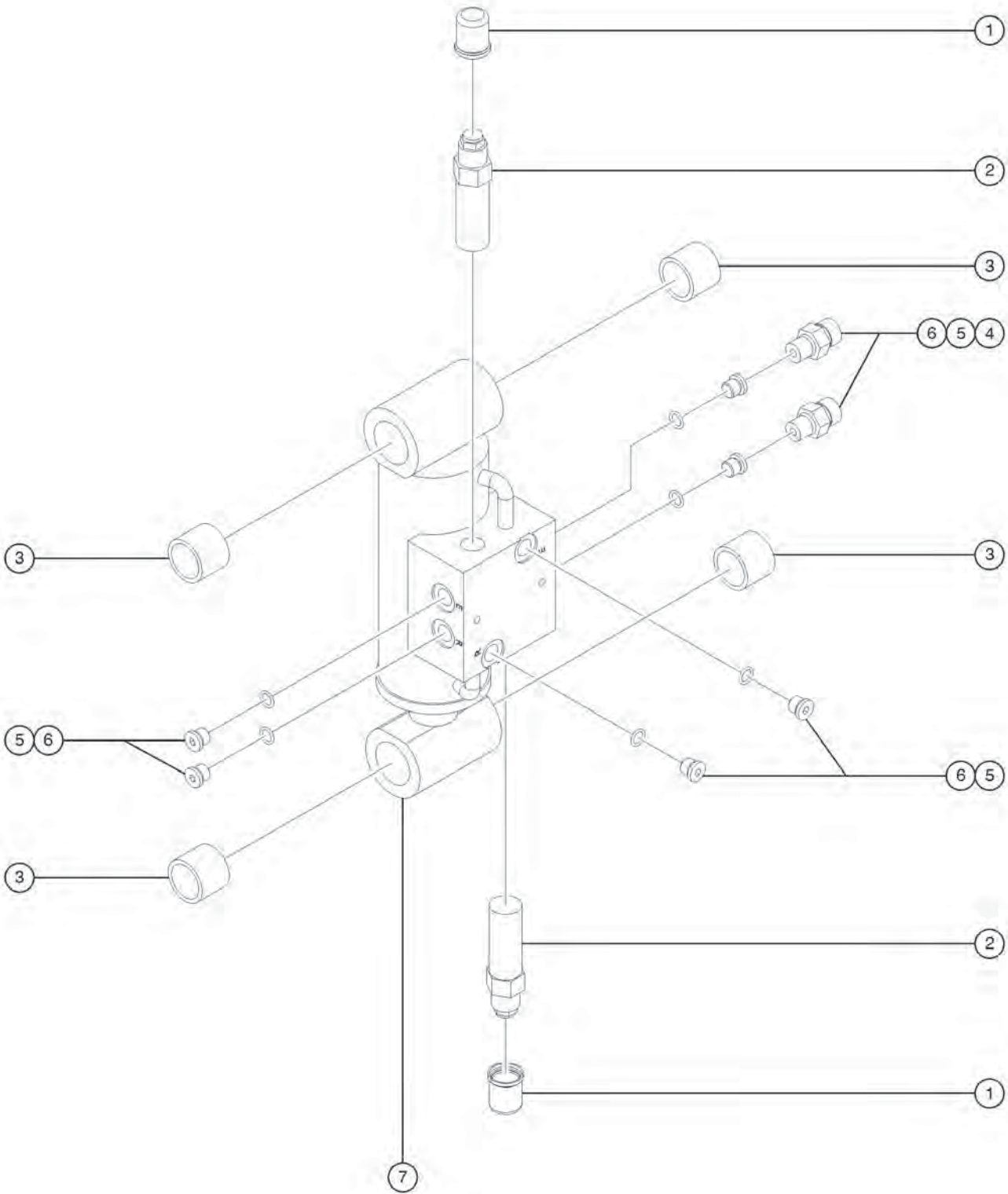


601.1 Function Manifold

Item	Part No.	Description	Qty.	Item	Part No.	Description	Qty.
--	230861	MANIFOLD,FUNCTION,GS69,DC <i>Complete (does not include fittings)</i>		16	218616	VALVE,DIRECTION,2-POS,3WAY,SCRN.1 <i>(FR, oscillate left)</i>	
1	218730	VALVE,CHECK,10 PSI.....1 <i>(FA, oscillate circuit)</i>		--	101069	ORIFICE DISK,.030	
2	218616	VALVE,DIRECTION,2-POS,3WAY,SCRN.1 <i>(FB, oscillate/accumulator)</i>		--	104763	COIL,24VDC #10DTSCH IP69 ECOIL	
--	101069	ORIFICE DISK,.030 <i>(FC)</i>					
--	104763	COIL,24VDC #10DTSCH IP69 ECOIL					
3	97172	VALVE-RELIEF,3500PSI.....1 <i>(FD, lift circuit)</i>					
4	94499	ACCUMULATOR,10CC,1000PSI,#6SAE.1 <i>(FE, oscillate circuit)</i>					
5	218617	VALVE,SOLENOID, 2POS,3WAY,SCRN.....1 <i>(FF, oscillate circuit)</i>					
--	104762	COIL,24VDC #8DTSCH IP69 ECOIL					
6	218731	VALVE, FLOW REG, 1.0 GPM.....1 <i>(FG, controls flow to the oscillate circuit)</i>					
7	97172	VALVE-RELIEF,3500PSI.....1 <i>(FH, system relief)</i>					
8	218732	VALVE, CROSS RELIEF, 1500 PSI.....1 <i>(FI, steer circuit)</i>					
9	52907	VALVE-CHECK, #4 SAE, 5 PSI*.....1 <i>(FJ, load sense)</i>					
10	218733	VALVE,FLOW REG,2.0 GPM.....1 <i>(FK, controls flow to the steer circuit)</i>					
11	234600	VALVE, SOLENOID, 5W-3P.....1 <i>(FL, steer circuit)</i>					
--	104762	COIL,24VDC #8DTSCH IP69 ECOIL					
--	234599	VALVE, CHECK, DROP IN <i>(FM)</i>					
12	237797	SWITCH,PRESS,#4SAE,1500 PSI.....1 <i>(FN, oscillate/accumulator)</i>					
13	218735	VALVE,SOLENOID,2-POS,3-WAY....1 <i>(FO, lift circuit)</i>					
--	104763	COIL,24VDC #10DTSCH IP69 ECOIL					
14	218616	VALVE,DIRECTION,2-POS,3WAY,SCRN.1 <i>(FP, oscillate right)</i>					
--	101069	ORIFICE DISK,.030					
--	104763	COIL,24VDC #10DTSCH IP69 ECOIL					
15	218734	VALVE,RELIEF,3300 PSI.....1 <i>(FQ, oscillate relief)</i>					



602.1 Oscillate Cylinder Assembly, All Models

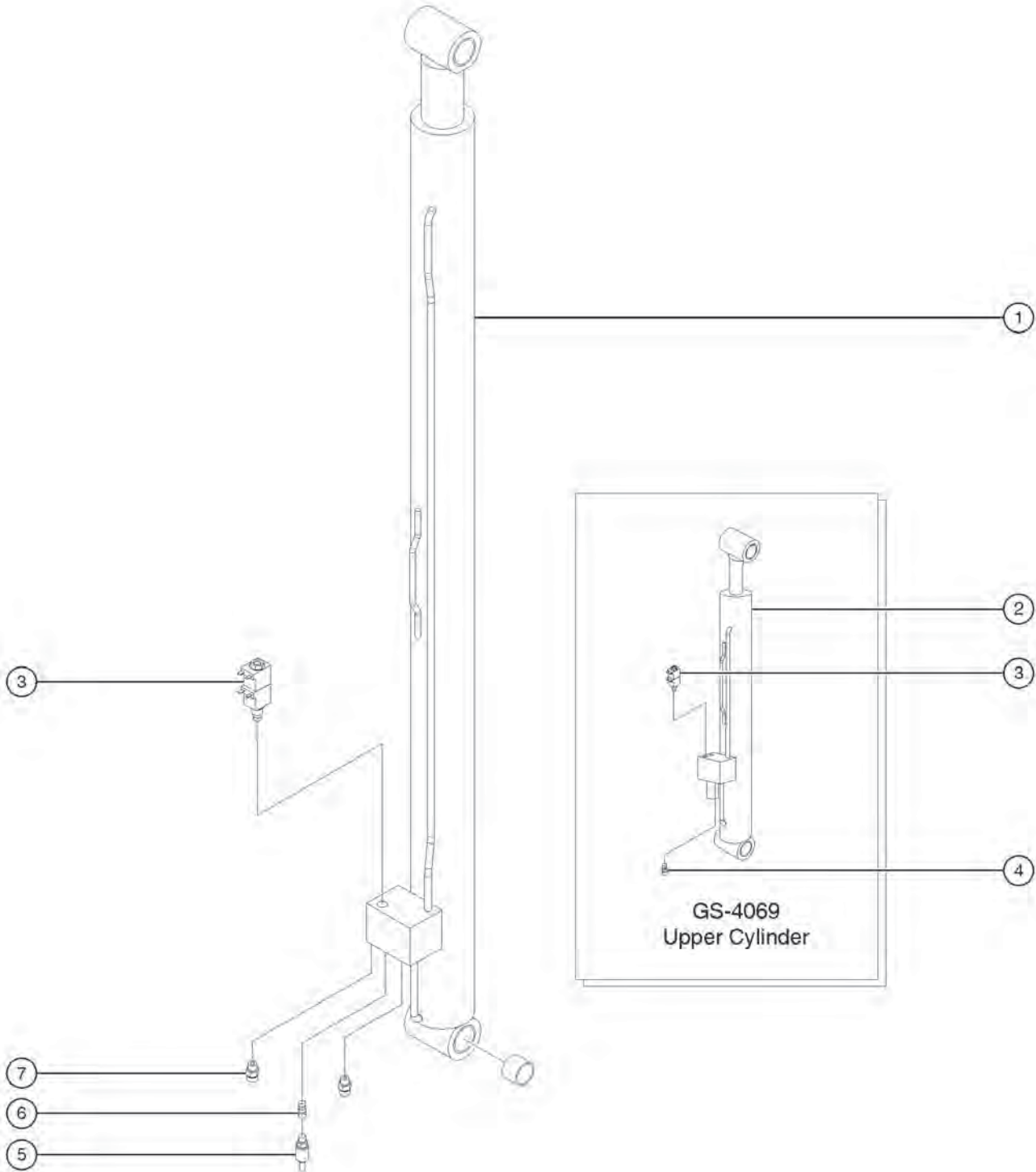


602.1 Oscillate Cylinder Assembly, All Models

Item	Part No.	Description	Qty.
--	128142	SERV KIT,CAP,SERIES 1CB VALVE <i>(package of 4)</i>	
1	128085	CAP,SERIES 1 CB VALVE,SINGLE**.....	2
2	115402	VALVE,COUNTERBALNCE,3800 PSI.....	2
3	25817	BEARING,1.00IDX1.25ODX1.00L....	4
4	48905	CONN,520120-4***	2
5	39882	PLUG,HEX SOCKET,090109B-4.....	6
6	53500	O-RING-4.....	6
7	131621	CYLINDER,OSCILATING,GS69.....	1
--	226380	SEAL KIT,226380 <i>(for 131621)</i>	

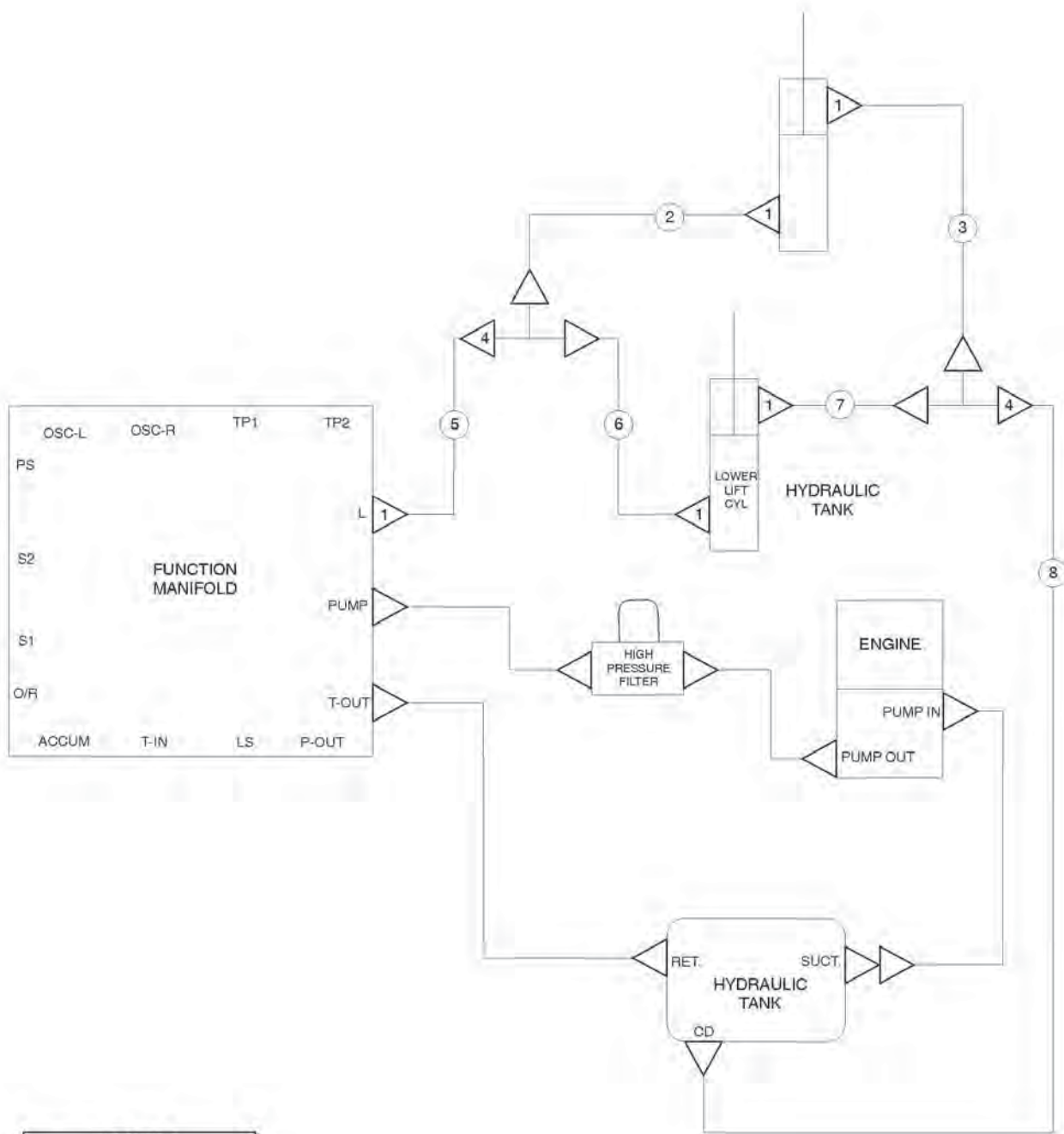


603.1 Lift Cylinders



Item	Part No.	Description	Qty.
1	131920	CYLINDER, LIFT, LOWER, GS69....1	
--	226378	SEAL KIT (for 131920)	
2	131921	CYLINDER,LIFT,UPPER,4069.....1 GS-4069DC	
--	226379	SEAL KIT GS-4069DC (for 131921)	
--	44227	SEAL KIT, VALVE (for 97130)	
--	97130	VALVE-RELIEF,2500PSI (for 131921) (sold seperately)	
3	66683	VALVE,DBL PULL S-NOID 20V***...1	
--	44973	NUT,COIL (39909)	
--	84421	WASHER-SOLENOID VALVE (66683)*	
--	84422	COIL-SOLENOID VALVE,20V DC***	
--	84423	VALVE,2 POSITION 2 WAY***	
4A	230858	ORIFICE, LONG, .086".....1 GS-2669DC, GS-3369DC	
4B	55559	ORIFICE, LONG, .046.....1 GS-4069DC	
5		Ref. HARNES, PRESS, TRANSDUCER***.1 (refer to 310.1)	
6	230858	ORIFICE, LONG, .086".....1	
7	48916	FITTING, CONN, 520120-6.....2	

604.1 Hydraulic Hoses and Fitting, Lift Cylinder, GS-4069

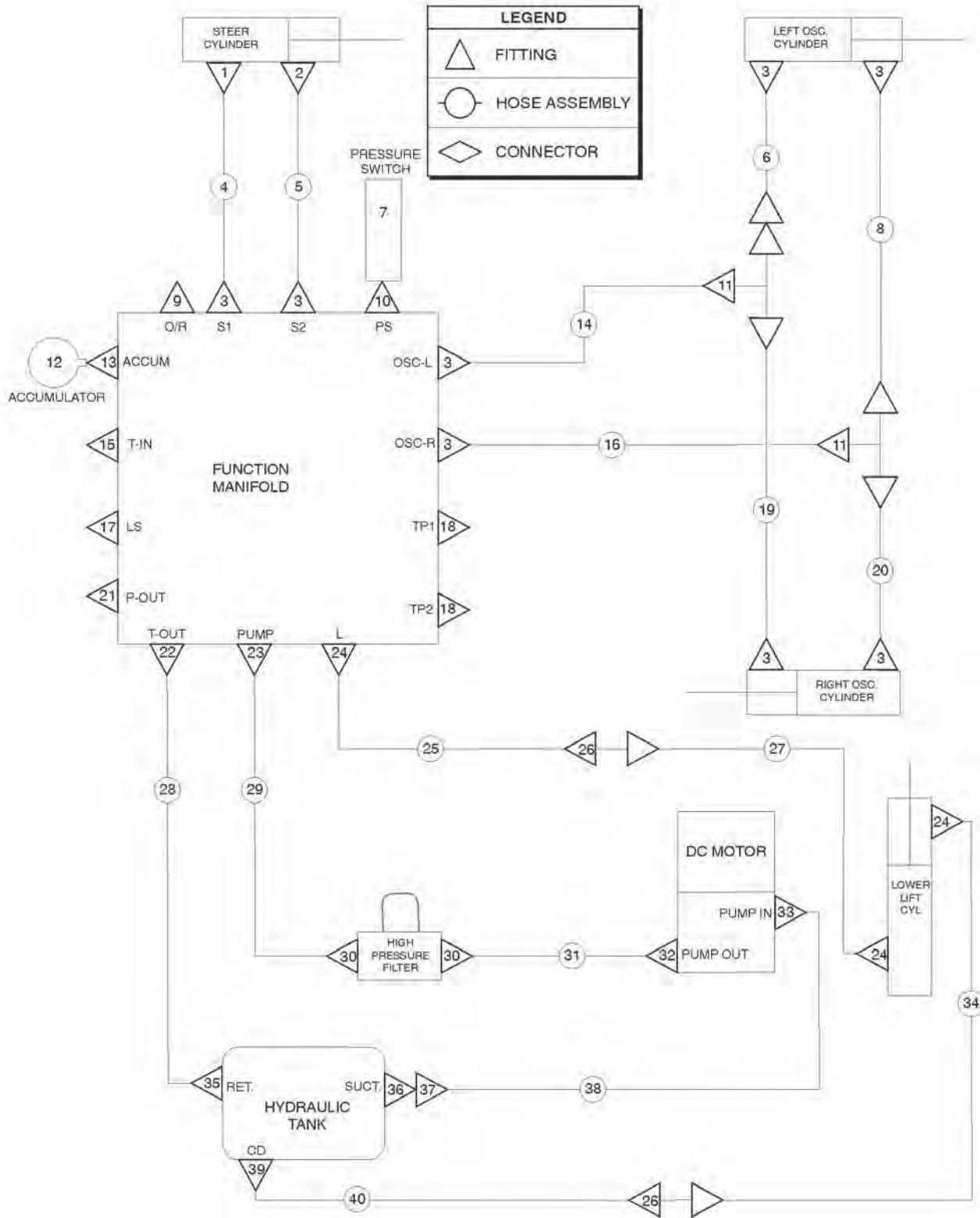


LEGEND	
	FITTING
	HOSE ASSEMBLY
	CONNECTOR

604.1 Hydraulic Hoses and Fitting, Lift Cylinder, GS-4069

Item	Part No.	Description	Qty.
1	48916	FITTING,CONN,520120-6.....2	
2	227479	HOSE ASSY,RET(ULCYL)-RET(TEE).....1 <i>(components: 48812, 48816, 48753 @ 410 inches)</i>	
3	227478	HOSE ASSY,PRESS(TEE)-PRESS(ULC....1 <i>(components: 48812, 48816, 56776 @ 410 inches)</i>	
4	227614	TEE,BULKHEAD,RUN,520120-6.....2	
5		Ref. HOSE ASSY,LIFT(F.MF)-P(TEE) <i>(refer to 605.1)</i>	
6		Ref. HOSE ASSY,PRESS(TEE)-PRESS(LLC <i>(refer to 605.1)</i>	
7		Ref. HOSE ASSY,RET(LLCYL)-RET(TEE) <i>(refer to 605.1)</i>	
8		Ref. HOSE ASSY,RET(TEE)-TANK <i>(refer to 605.1)</i>	

605.1 Hydraulic Hoses and Fittings

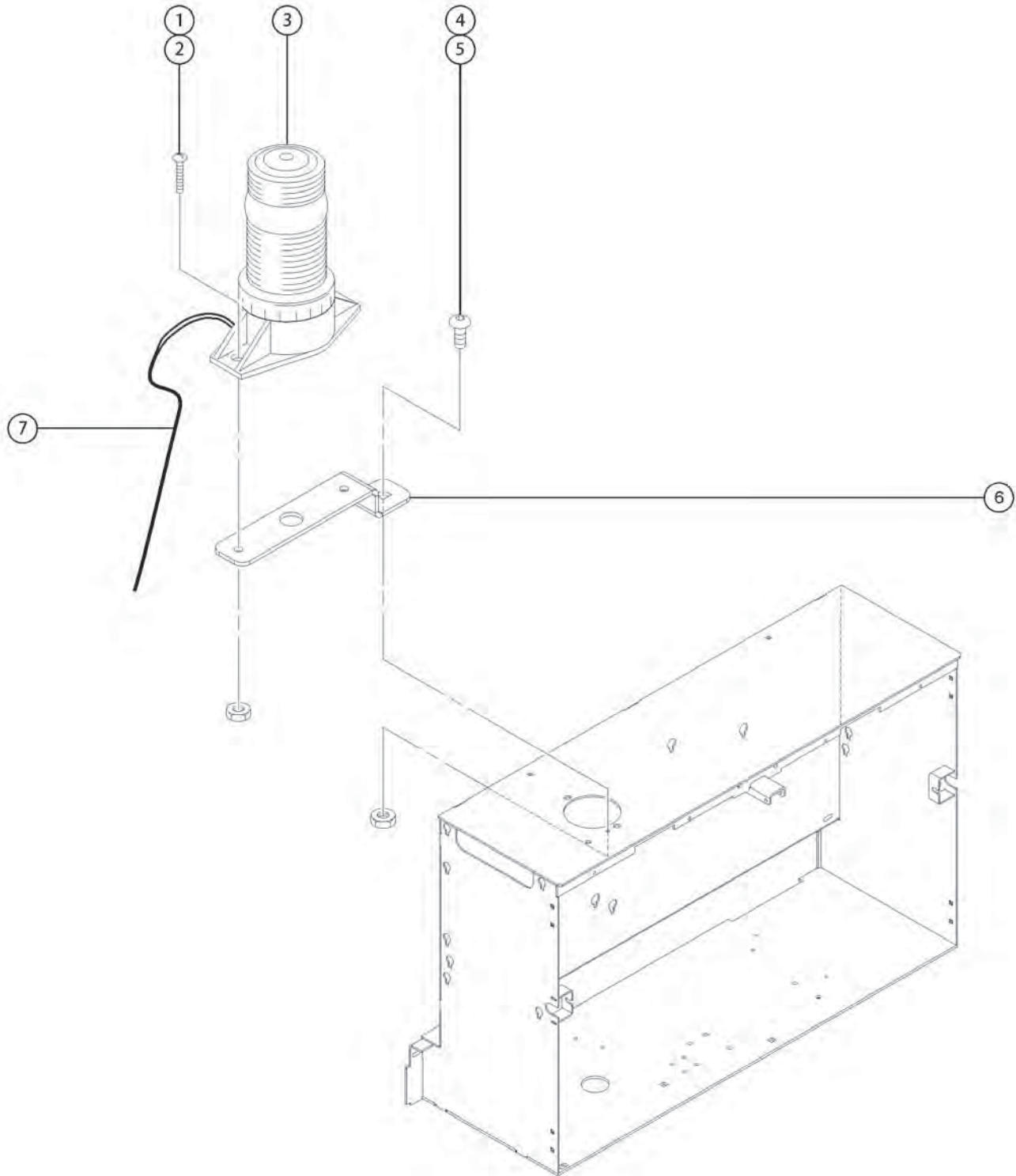


605.1 Hydraulic Hoses and Fittings

Item	Part No.	Description	Qty.	Item	Part No.	Description	Qty.
1	48912	CONN,520120-4-6***.....	1	21	238256	PLUG,HEX SOCKET,090109B-8.....	1
2	39875	ELBOW,070220-4-6.....	2	22	48960	FITTING,CONN,520120-12.....	1
3	48905	CONN,520120-4***.....	8	23	48933	CONN,520120-8***.....	1
4	227466	HOSE ASSY,S1(F.MF)-B(STRCYL).....	1	24	48916	FITTING,CONN,520120-6.....	3
		(components: 48800, 48801, 48751 @ 74 inches)		25	227471	HOSE ASSY,LIFT(F.MF)-P(TEE).....	1
5	227467	HOSE ASSY,S2(F.MF)-R(STRCYL).....	1	26	227613	UNION,BULKHEAD,ORFS,-6-6.....	2
		(components: 48800, 48801, 48751 @ 81 inches)		27	227472	HOSE ASSY,PRESS(TEE)-PRESS(LLC.....	1
6	227469	HOSE ASSY,OSC(TEE)-E(L.OSC.CYL.....	1			(components: 48812, 48812, 56776 @ 128 inches)	
		(components: 48800, 48802, 48751 @ 19.5 inches)		28	215214	HOSE,ASSY,T-OUT(F,MF)-RET(TNK).1	1
7	237797	SWITCH,PRESS,#4SAE,1500 PSI.....	1			(components: 48809, 48809, 39889 @ 34 inches)	
8	227610	HOSE ASSY,OSC(TEE)-R(L.OSC.CYL.....	1	29	215215	HOSE,ASSY,FIL-P,IN(F,MF).....	1
		(components: 48800, 48802, 48751 @ 19.5 inches)				(components: 48822, 48822, 56777 @ 8 inches)	
9	49517	PLUG,HEX SOCKET,090109B-6***.....	1	30	48947	ELBOW,90D,520220-8-12.....	2
10	131393	REDUCER,MORB-FORB,04-04****.1	1	31	237932	HOSE,ASSY,OUT(PUMP)-FIL.....	1
11	48909	TEE,BULKHEAD,RUN,520958-4.....	1			(components: 48822, 48822, 56777 @ 11 inches)	
12	94499	ACCUMULATOR,10CC,1000PSI,#6SAE.2	2	32	48946	CONN,520120-8-10.....	1
13	83020	COUPLER,090136, 4-6.....	1	33	48878	ELBOW,90D,520220-16-12.....	1
14	227468	HOSE ASSY,OSC(F.MF)-OSC(TEE).....	1	34	227473	HOSE ASSY,RET(LLCYL)-RET(TEE).....	1
		(components: 48800, 48800, 48751 @ 74 inches)				(components: 48812, 48812, 48753 @ 128 inches)	
15	87172	PLUG,HEX SOCKET,090109B-12...1	1	35	48959	FITTING,ELBOW,90D,520220-12....	1
16	227609	HOSE ASSY,OSCR(F.MF)-OSC(TEE).....	1	36	101490	STRAINER,16 SAE F/24 SAE M....	1
		(components: 48800, 48800, 48751 @ 74 inches)		37	48984	CONN,520120-16.....	1
17	39882	PLUG,HEX SOCKET,090109B-4.....	1	38	237931	HOSE,ASSY,SUCT(TANK)-IN(PUMP).1	1
18	48997	NIPPLE,DIAGNOSTIC,#4 PORT***.....	2			(components: 48854, 48854, 48764 @ 19.5 inches)	
19	227612	HOSE ASSY,OSC(TEE)-R(R.OSC.CYL.....	1	39	48915	ELBOW,90D,520220-6.....	1
		(components: 48800, 48802, 48751 @ 19.5 inches)		40	227474	HOSE ASSY,RET(TEE)-TANK.....	1
20	227611	HOSE ASSY,OSC(TEE)-E(R.OSC.CYL.....	1			(components: 48812, 48812, 48753 @ 75 inches)	
		(components: 48800, 48802, 48751 @ 19.5 inches)					



701.1 Flashing and Motion Beacon

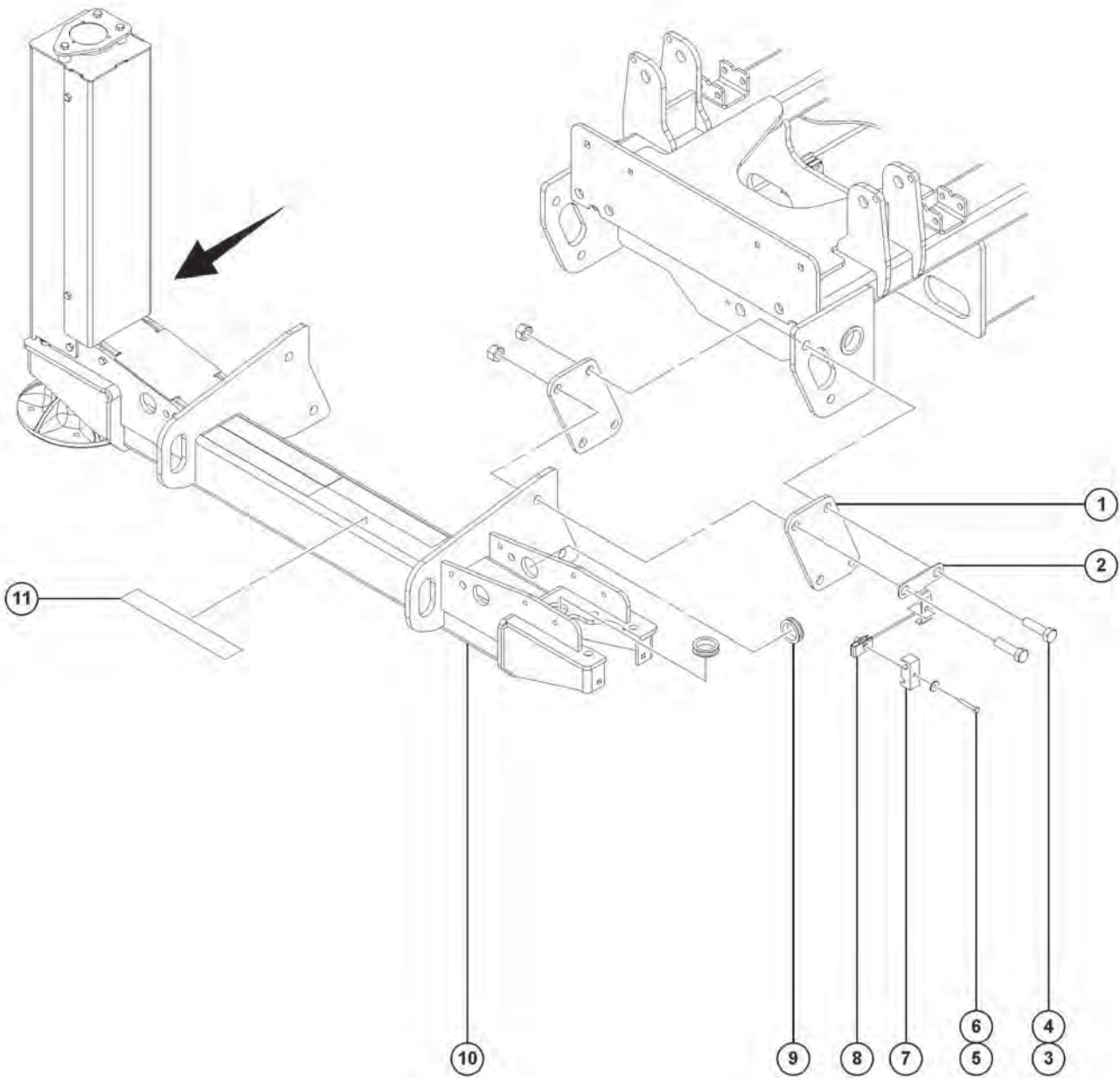


701.1 Flashing and Motion Beacon

Item	Part No.	Description	Qty.
1	49816	SCREW,PHILLIPS,PHM,10-32 X .75	
2	6178	NUT,NYLOCK,10-32	
3	87265	BEACON LIGHT ASSY.....2	
--	105556	LENS,FLASHING BEACON <i>for 87265</i>	
--	105557	BULB,FLASHING BEACON <i>for 87265</i>	
4	6878	BOLT,CARRIAGE,1/4-20 X .75,G2	
5	6091	NUT,NYLOCK,1/4-20	
6	79374	FORMING,BEACON MOUNT.....2	
7	148076	HARNES,BEACON,GS69	



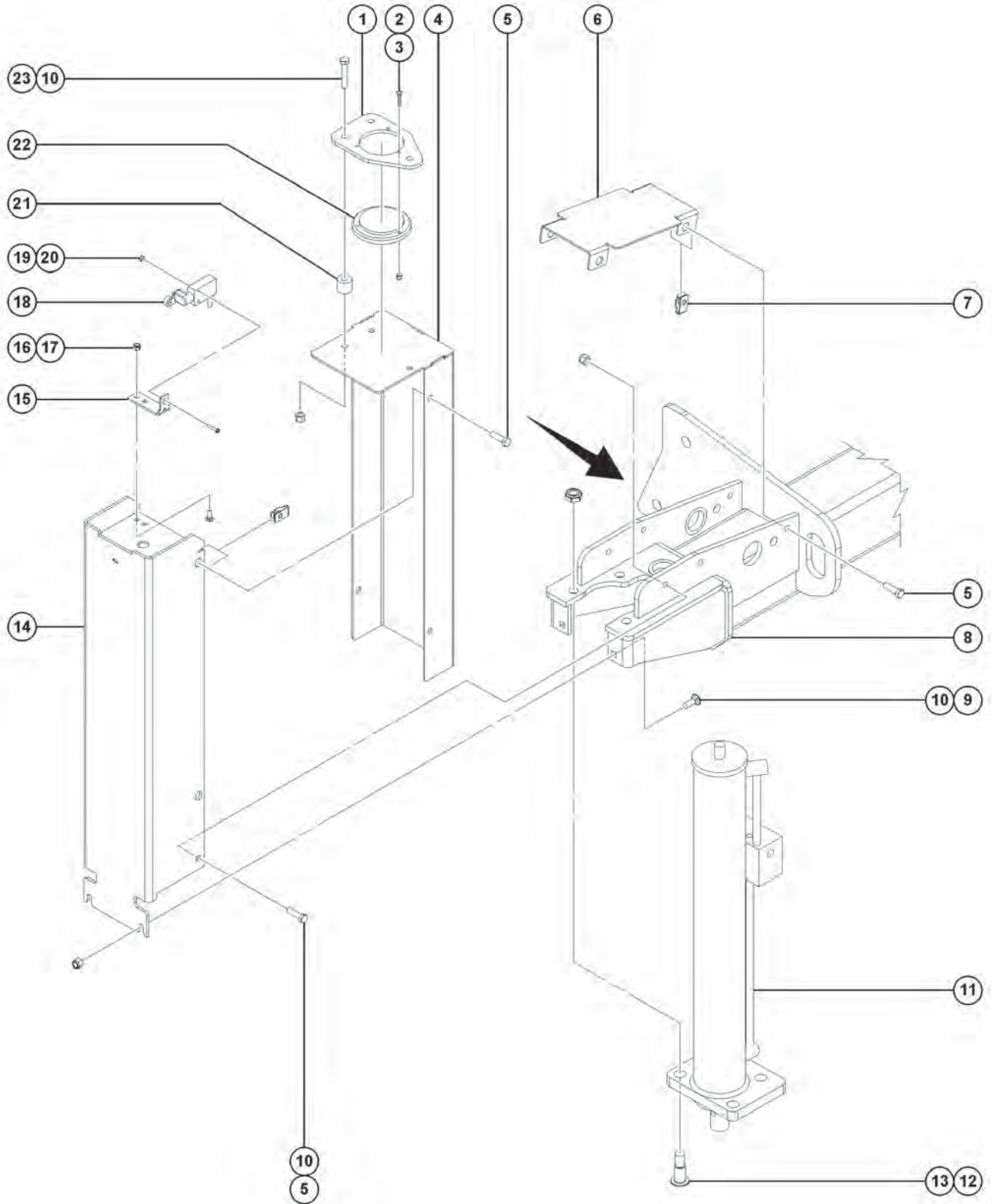
702.1 Outrigger Installation, View 1



702.1 Outrigger Installation, View 1

Item	Part No.	Description	Qty.
1	148046	PLATE,OUTRIGGER MOUNT.....	8
2	148409	FORMING,O/R FRONT CLAMP....	2
3	51428	SCREW,HHC,3/4-10 X 2.75.....	4
4	10258	NUT,NYLOCK,3/4-10.....	4
5	6637	SCREW,HHC,1/4-20 X 1.75.....	2
6	6638	WASHER,FLAT,USS,1/4"Y.....	2
7	148410	CLAMP,#4 HOSE,CLAMP.....	2
8	56912	SPRING CLIP,1/4-20.....	2
9	47238	GROMMET,RUBBER 1.5 ID.....	8
10		Ref. WELDMENT,OUTRIGGER YOKE (refer to 809.1)	
11	148329	TAPE, NON-SKID, 2"X14".....	2

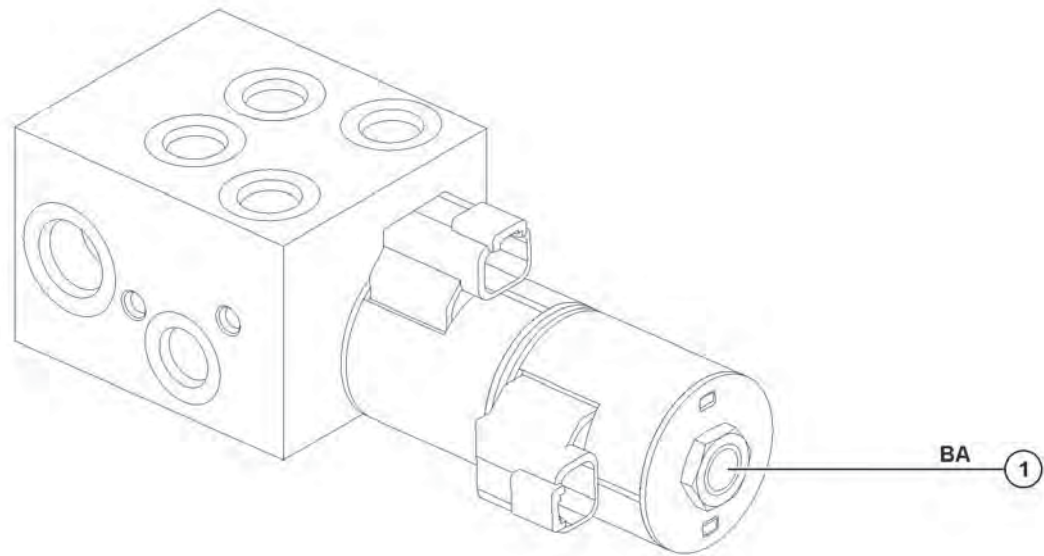
703.1 Outrigger Installation, View 2



703.1 Outrigger Installation, View 2

Item	Part No.	Description	Qty.
1	87002	PLATE,BUBBLE LEVEL MOUNT.....1	
2	49816	SCREW,PHILLIPS,PHM,10-32 X .75	
3	6178	NUT,NYLOCK,10-32	
4	148001	WELDMENT,O/R SWITCH COVER.....4	
5	6019	SCREW,HHC,3/8-16 X 1.25 GRD 5	
6	131972	FORMING,O/R HOSE COVER.....4	
7	29868	SPRING CLIP,3/8-16	
8A	148027	WELDMENT,OUTRIGGER YOKE....1 <i>steer end</i>	
8B	148044	WELDMENT,OUTRIGGER YOKE <i>non-steer end</i>	
9	64154	BOLT,CARRIAGE,3/8-16 X1.00,G5	
10	4828	NUT,NYLOCK,3/8-16	
11		Ref. CYLINDER,OUTRIGGER,GS69 <i>(refer to 705.1)</i>	
12	71912	BOLT,SHOULDER,5/8-11 X 1.19 LT	
13	38028	NUT,LP NYLOCK,5/8-11	
14	235089	HOUSING ASSY,OUTRIGGER,WO <i>(ANSI, CSA & Australia models with word decals)</i>	
--	148000	WELDMENT,OUTRIGGER COVER.....4 <i>(decals not included, refer to section 100)</i>	
--	235091	HOUSING ASSY,OUTRIGGER,SY <i>(Asia, S. America & CE models with symbol decals)</i>	
15	148024	FORMING,O/R LIM SWTCH BRACKET.....1	
16	6091	NUT,NYLOCK,1/4-20	
17	6878	BOLT,CARRIAGE,1/4-20 X .75,G2	
18	105692	SWITCH,LIMIT,W/ROLLER ARM.....1	
19	18605	NUT,NYLOCK,8-32	
20	54380	SCREW,PHILLIPS,PHM,8-32 X .875	
21	59568	RUBBER, VIBRATION MOUNT.....3	
22	218081	LEVEL,BUBBLE 3 DEGREE	
23	5224	SCREW,HHC,3/8-16 X 2	

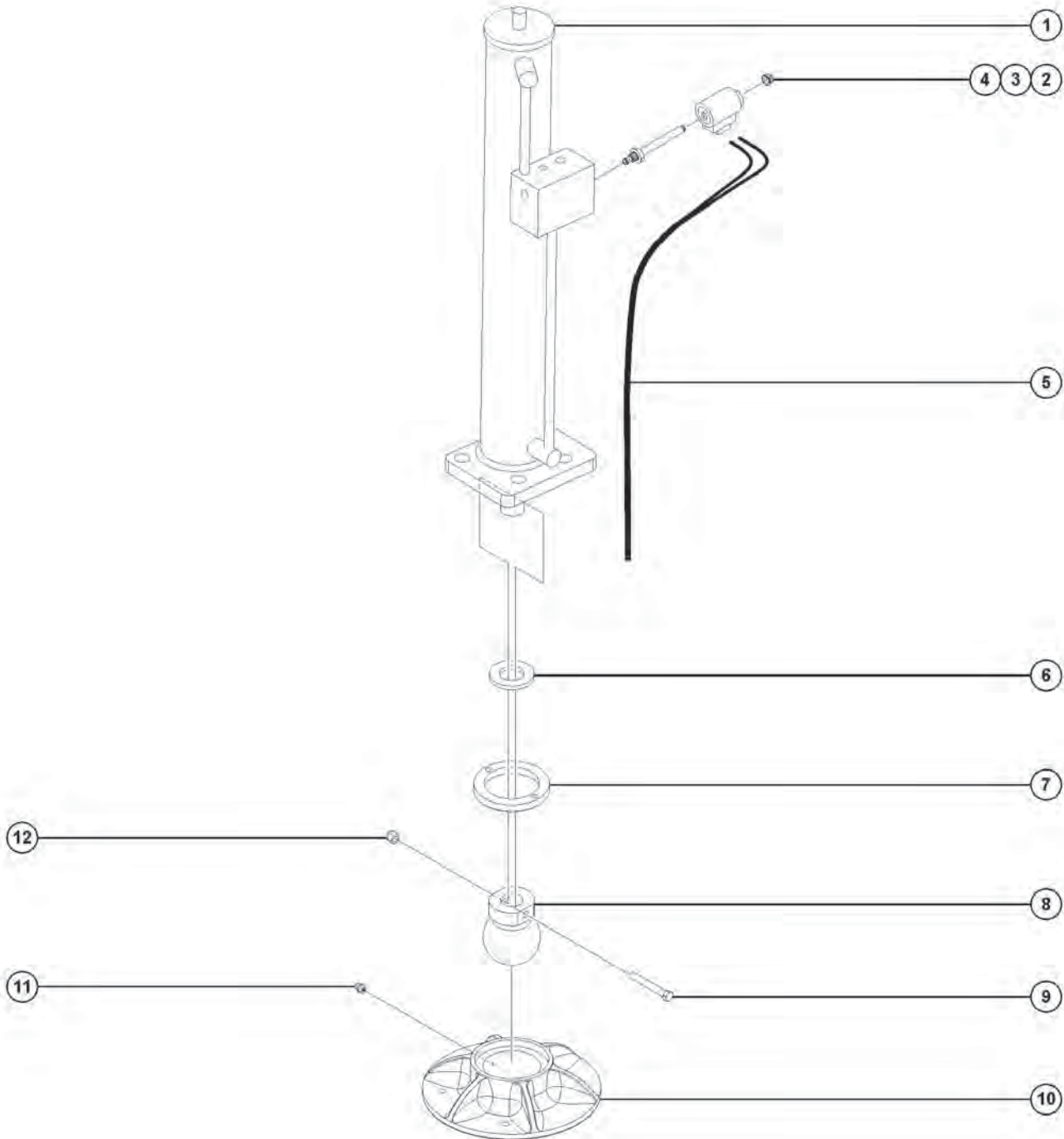
704.1 Outrigger Manifold



704.1 Outrigger Manifold

Item	Part No.	Description	Qty.
--		<i>Use the letter callouts to cross-reference with the Service Manual.</i>	
--	234999	MANIFOLD,OUTRIGGER,GS69DC <i>(manifold, complete)</i>	
1	84109	VALVE,DIR,#10 SAE,3 POS. 4 WAY.....1 <i>(BA, Outriggers in / out)</i>	
--	104763	COIL,24VDC #10DTSCH IP69 ECOIL	
--	44174	NUT-COIL SHORT	
--	44175	SPACER-DUAL COIL,#10, SCISSORS	
--	44230	SEAL KIT-P.N.44169,44172,44171	

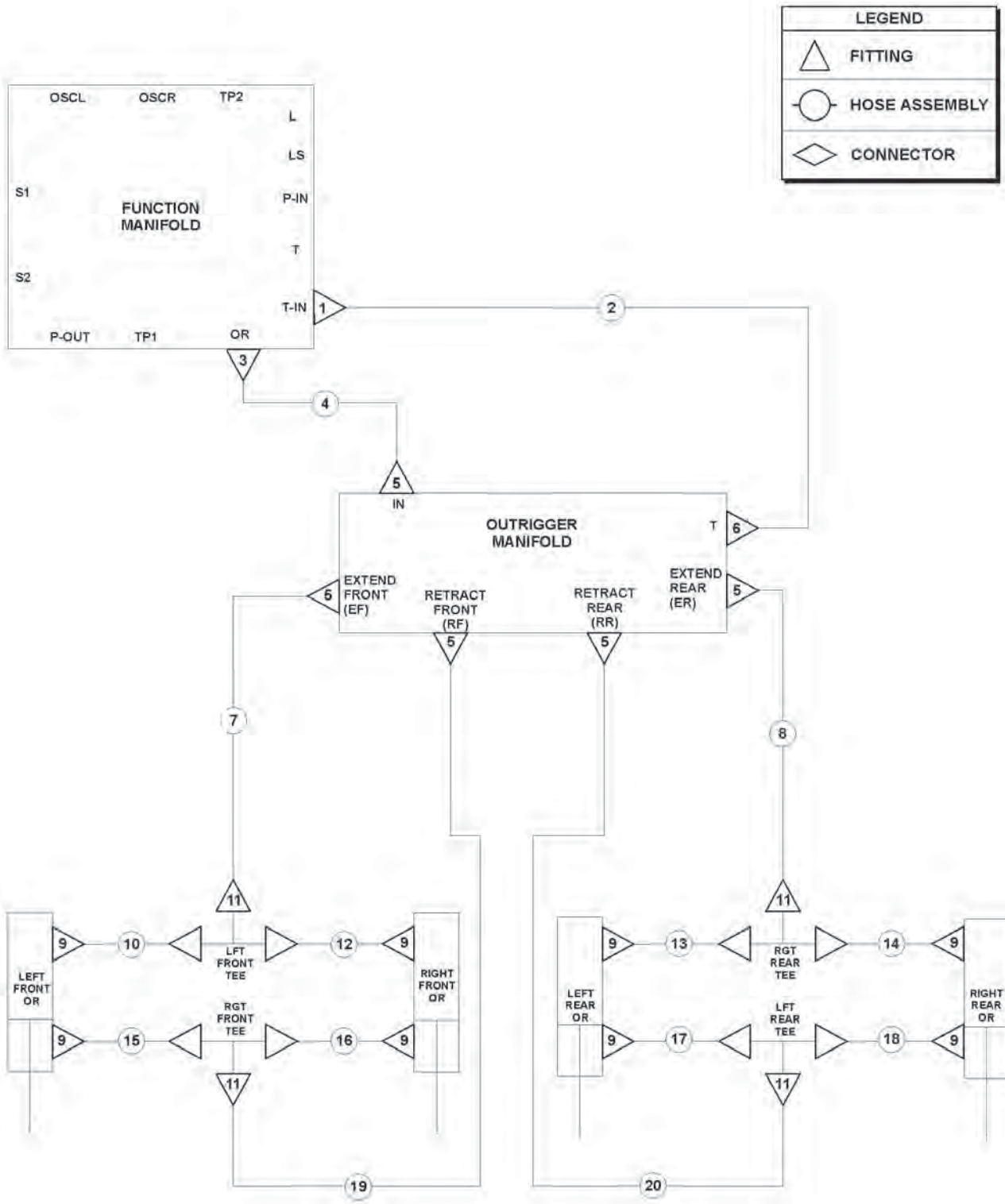
705.1 Outrigger Cylinders, All Models



705.1 Outrigger Cylinders, All Models

Item	Part No.	Description	Qty.
--	112537	FOOTPAD ASSY,RTSC OUTRIGGER (includes items 6, 7 & 9)	
1	131428	CYLINDER,OUTRIGGER,GS69.....	1
--	226381	SEAL KIT,(131428) (for 131428)	
2	72097	NUT,SOLENOID VALVE,OUTRIGGERS.....	1
3	79831	COIL, 12VDC,DIODE,DEUTSCH.....	1
4	67933	VALVE,NC,BI-DI,CART***	1
5		Ref. Outrigger Wire Harness (refer to 309.1)	
6	55682	PLATE, CYL UP LIMIT.....	1
7	55484	RETAINER, GS68 O/R FOOTPAD***	1
8	55485	CASTING, BALL, GS OUTRIGGER.....	1
9	14033	SCREW,HHC,3/8-16 X 2.75.....	1
10	51814	CASTING,OUTRIGGER FOOTPAD ***	1
11	28646	ZERK,GREASE,1/8 NPT.....	1
12	4828	NUT,NYLOCK,3/8-16.....	1

706.1 Hydraulic Hoses and Fittings, Outrigger

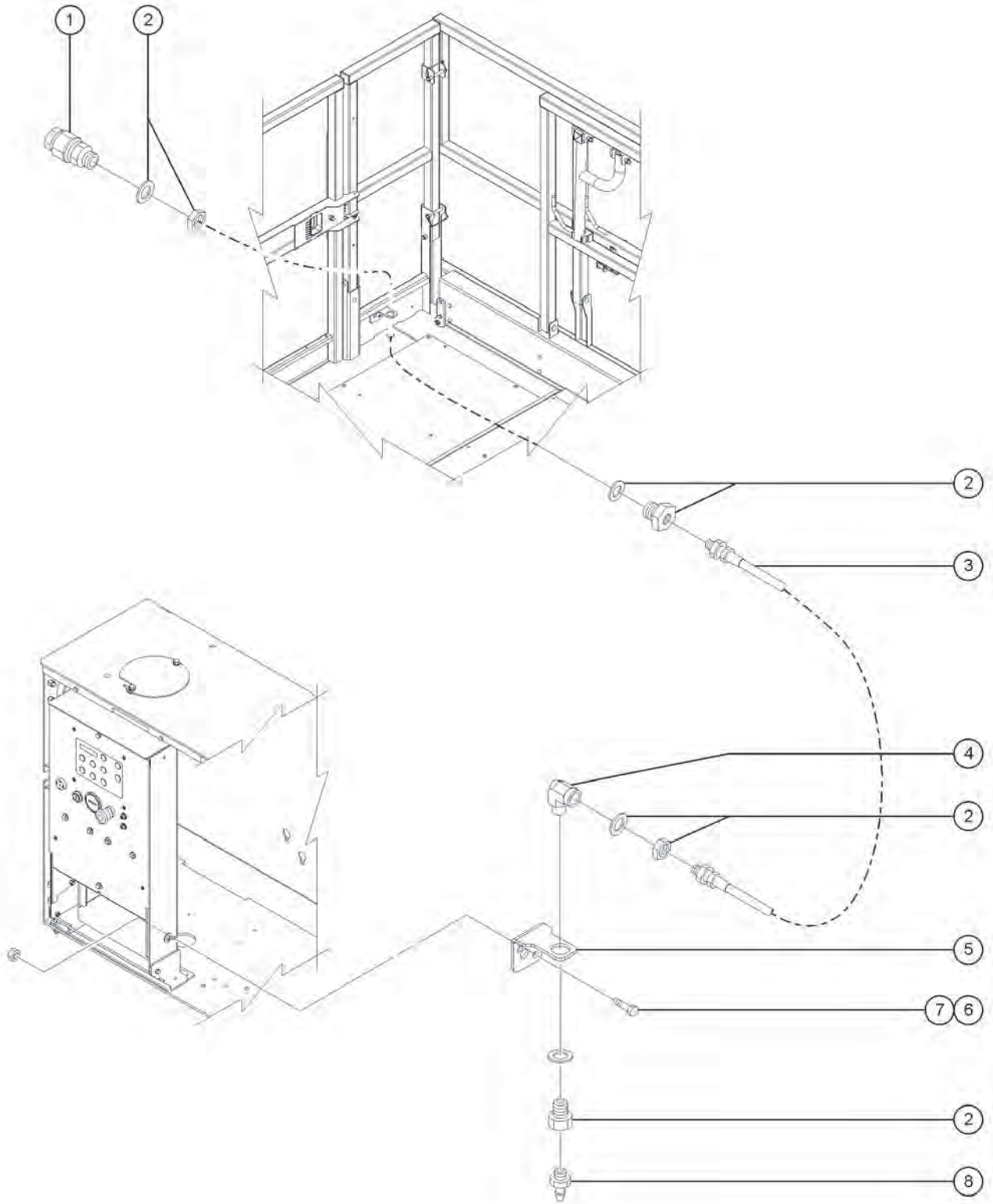


706.1 Hydraulic Hoses and Fittings, Outrigger

Item	Part No.	Description	Qty.	Item	Part No.	Description	Qty.
1	48948	CONN,520120-8-12.....1	1	18	227742	HOSE ASSY,RR.OR.TEE-R(RR.OR.CY.....1 (components: 48800, 48802, 48751 @ 75 inches)	1
2	219139	HOSE,ASSY,T(OR.MF)-TIN(F.MF)...1 (components: 48822, 48825, 48756 @ 20.5 inches)	1	19	227726	HOSE ASSY,FR(OR.MF)-RF.OR.TEE.....1 (components: 48812, 227488, 56776 @ 98 inches)	1
3	48930	FITTING,CONN,520120-6-8***1	1	20	227735	HOSE ASSY,RR(OR.MF)-RR.OR.TEE.....1 (components: 48812, 227488, 56776 @ 98 inches)	1
4	227486	HOSE ASSY,OR(F.MF)-IN(OR.MF).....1 (components: 48812, 48815, 56776 @ 19 inches)	1				
5	48916	FITTING,CONN,520120-6.....5	5				
6	48933	CONN,520120-8***1	1				
7	227487	HOSE ASSY,EF(OR.MF)-LF.OR.TEE.....1 (components: 48812, 227488, 56776 @ 98 inches)	1				
8	227724	HOSE ASSY,ER(OR.MF)-LR.OR.TEE.....1	1				
9	48905	CONN,520120-4***8	8				
10	227489	HOSE ASSY,LF.OR.TEE-E(LF.OR.CY.....1 (components: 48812, 227488, 56776 @ 98 inches)	1				
11	48909	TEE,BULKHEAD,RUN,520958-4.....4	4				
12	227490	HOSE ASSY,LF.OR.TEE-E(RF.OR.CY.....1 (components: 48800, 48800, 48751 @ 75 inches)	1				
13	227738	HOSE ASSY,LR.OR.TEE-E(LR.OR.CY.....1 (components: 48800, 48802, 48751 @ 75 inches)	1				
14	227728	HOSE ASSY,LR.OR.TEE-E(RR.OR.CY.....1 (components: 48800, 48800, 48751 @ 20 inches)	1				
15	227730	HOSE ASSY,RF.OR.TEE-R(LF.OR.CY.....1 (components: 48800, 48800, 48751 @ 75 inches)	1				
16	227740	HOSE ASSY,RF.OR.TEE-R(RF.OR.CY.....1 (components: 48800, 48802, 48751 @ 20 inches)	1				
17	227732	HOSE ASSY,RR.OR.TEE-R(LR.OR.CY.....1 (components: 48800, 48800, 48751 @ 20 inches)	1				

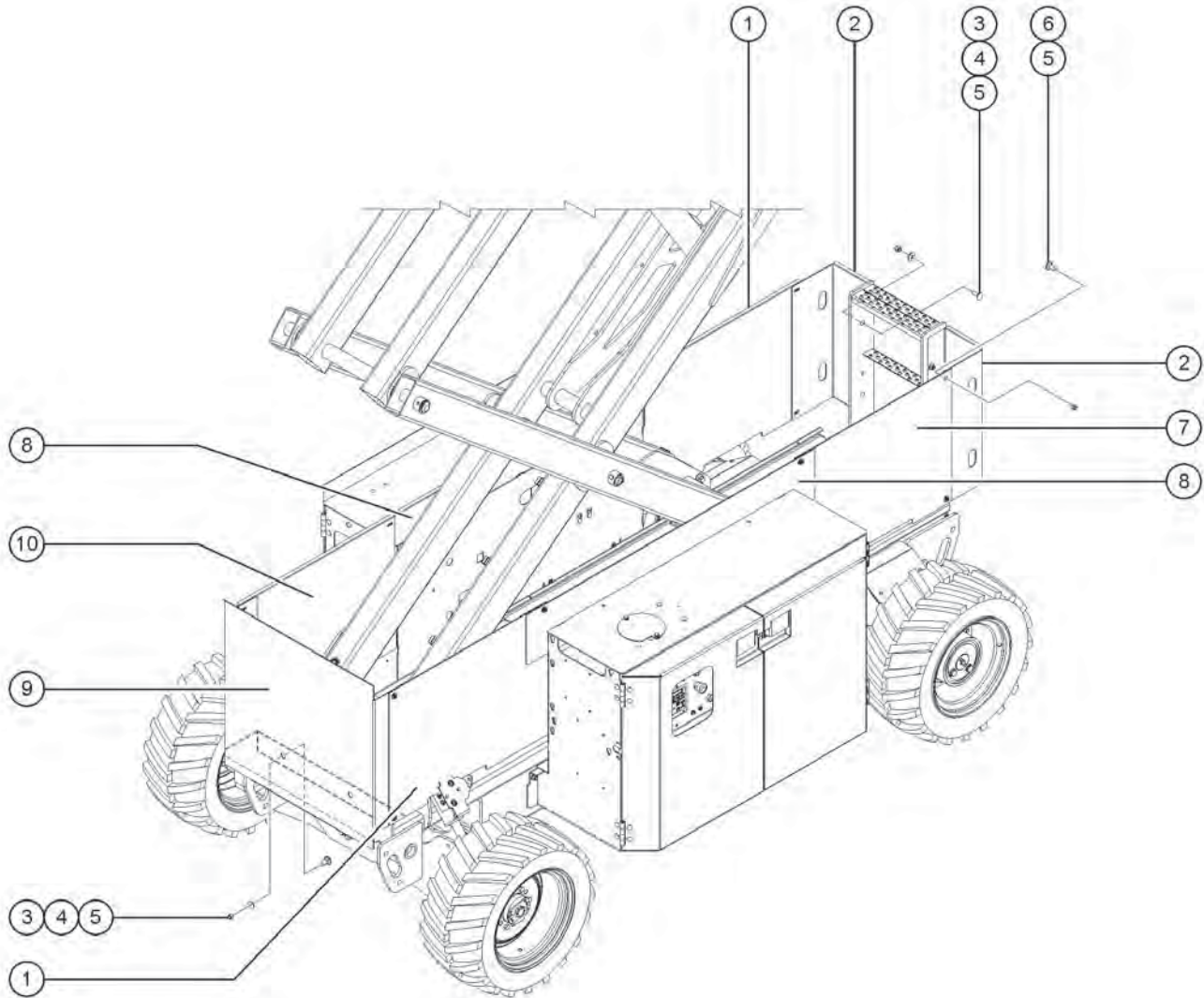


707.1 Air to Platform



Item	Part No.	Description	Qty.
1	27895	COUPLER,1/4"SERIES 3/8 MPT.....1	
2	27900	BULKHEAD,FEMALE X 6 X 6.....2	
3A	27903	HOSE,LOW PRESSURE,.375 ID,BLK.....918-inches GS4069 DC	
--	27901	HOSE END,BARBED,RIGID,-6-6.....2	
3B	27903	HOSE,LOW PRESSURE,.375 ID,BLK.....660-inches GS-3369 DC	
--	27901	HOSE END,BARBED,RIGID,-6-6.....2	
3C	27903	HOSE,LOW PRESSURE,.375 ID,BLK.....570-inches GS-2669 DC	
--	27901	HOSE END,BARBED,RIGID,-6-6.....2	
4	79383	BRASS STREET ELBOW.....1	
5	47077	BRACKET,AIRLINE MOUNTING.....2	
6	8255	SCREW,HHC,3/8-16 X .75	
7	4828	NUT,NYLOCK,3/8-16	
8	27894	PLUG,1/4"SERIES,3/8 MPT.....1	

708.1 Link Guard, CE and Australia



708.1 Link Guard, CE and Australia

Item	Part No.	Description	Qty.
1A	227768	FORMING, LINK GUARD, SIDE, 26/33.....2 <i>for GS-2669 DC & GS-3369 DC (ground controls side, front & battery pack side, rear)</i>	2
1B	T114354	FORMING, LINKGUARD, SIDE, 40.....2 <i>for GS-4069 DC (ground controls side, front & battery pack side, rear)</i>	2
2A	227713	FORMING, LINK GUARD, BACK, 26/33.....2 <i>for GS-2669 DC & GS-3369 DC</i>	2
2B	T114357	FORMING, LINKGUARD, END, 40.....2 <i>for GS-4069 DC</i>	2
3	105092	BOLT, CARRIAGE, 3/8-16X1.25, GR5	
4	6097	WASHER, FLAT, USS, 3/8", Y	
5	4828	NUT, NYLOCK, 3/8-16	
6	73466	BOLT, CARRIAGE, 3/8-16 X 1.00, G2	
7A	227716	FORMING, LINK GUARD, SIDE, 26/33.....1 <i>for GS-2669 DC & GS-3369 DC without oil cooler option (ground controls side, rear)</i>	1
7B	227714	FORMING, LNK GRD, SIDE, OPT, 26/33.....1 <i>for GS-2669 DC & GS-3369 DC with oil cooler option (ground controls side, rear)</i>	1
7C	T114353	FORMING, LINKGUARD, SIDE, 40.....1 <i>for GS-4069 DC without oil cooler option (ground controls side, rear)</i>	1
7D	227717	FORMING, LINK GUARD, SIDE, OPT, 40.....1 <i>for GS-4069 DC with oil cooler option (ground controls side, rear)</i>	1
8	T114358	FORMING, LINKGUARD, BOXTOP...2 <i>for GS-4069 DC</i>	2
9A	227715	FORMING, LINK GUARD, FRONT, 26/33.....1 <i>for GS-2669 DC & GS-3369 DC</i>	1
9B	T114356	FORMING, LINKGUARD, SIDE, 40.....1 <i>for GS-4069 DC</i>	1
10A	227716	FORMING, LINK GUARD, SIDE, 26/33.....1 <i>for GS-2669 DC & GS-3369 DC (battery pack side, front)</i>	1
10B	T114353	FORMING, LINKGUARD, SIDE, 40.....1 <i>for GS-4069 DC (battery pack side, front)</i>	1



Part Number Index

The Part Number Index is a numeric index of all part numbers included in this manual. The index shows what page(s) the part is used on.

Part Number	Page	Part Number	Page	Part Number	Page	Part Number	Page
101069	117	115402	119	137699	113	216832	19
101490	125	119910	60	137711	113	216833	35
101718	71, 75, 81	122994	81	13918	63	216834	51
10258	129	12344	77	14033	89, 91, 95, 135	216876	27
104325	67	124580	81	14041	77	216877	27
104328	59-60, 67	128085	119	14392	60	216878	43
104762	117	128142	119	144161	75, 111	216879	43
104763	117, 133	128200	81	148000	131	216880	19
104804	105	128375	75	148001	131	216881	35
105092	73, 141	128376	75	148024	131	216882	51
105117	75	128377	75	148027	131	216883	19
105118	75	128578	81	148044	131	216884	19
105214	89	128580	81	148046	129	216885	35
105319	83	13002	73	148076	87, 127	216886	35
105556	127	13064	65	148086	87	216887	51
105557	127	131393	125	148087	87	216888	51
105692	69, 131	131416	103	148090	87	217991	113
10598	89, 93, 97	131428	135	148091	87	217992	81
106121	65	131560	59-60	148092	87	218050	113
106122	65	131561	59-60	148226	83	218081	131
106123	65	131566	59-60	148236	65, 89, 93, 97	218091	81
106445	65	131567	59-60	148271	67	218245	87
106508	65	131602	59-60	148277	67	218616	117
10744	83	131616	59-60	148291	83	218617	117
10775	111	131621	119	148292	67	218730	117
10777	111	131639	65	148307	67	218731	117
110556	60	131640	65	148317	89, 93, 97	218732	117
110965	65	131658	71	148329	129	218733	117
112070	89, 91, 95	131687	91	148353	59-60	218734	117
112072	91, 95	131735	107	148396	59-60	218735	117
112076	89, 91, 95, 99, 101	131741	107	148400	63	219058	75
		131742	107	148403	67	219139	137
112083	99	131743	107	148409	129	219206	59-60
112099	89, 93, 97	131744	103	148410	129	219210	107
112100	89, 93, 97	131745	103	148413	69	219279	60
112106	97	131746	105	148414	87	219356	59-60
112115	89, 93, 97	131747	105	148422	109	219903	59-60
112116	89, 93, 97	131749	103, 107	148433	89, 91, 95	22446	105
112121	89, 93, 97	131751	107	148434	89, 91, 95	226378	121
112123	89, 91, 95	131755	65	148450	101	226379	121
112124	89, 91, 95	131778	71	150026	77	226380	119
112125	95	131780	83	160390	79	226381	135
112126	95	131790	83	160536	73	22699	73
112127	89	131800	73	161359	75	227466	125
112134	91, 95, 101	131873	83	161805	83	227467	125
112136	93, 97, 99	131874	89	18383	89, 91, 95	227468	125
112177	93, 97	131899	89	18503	77	227469	125
112195	89, 91, 95	131903	89	18540	65	227471	125
112210	93, 97	131920	121	18605	65, 69, 75, 81, 89, 93, 97, 131	227472	125
112229	89	131921	121			227473	125
112350	89, 93, 97	131926	83	19436	77	227474	125
112375	89, 93, 97	131928	83	19440	59-60	227478	123
112476	65, 103, 105, 107	131929	83	21149	65	227479	123
112512	65	131972	131	214212	67	227486	137
112537	135	133537	23, 25, 39, 41, 55, 57	214222	73	227487	137
112543	105			214253	113	227489	137
112572	65	13585	111	214254	113	227490	137
112589	65, 89, 91, 95, 97	137522	113	214542	81	227609	125
112703	99, 101	137562	81	214544	115	227610	125
112708	89, 91, 95, 99, 101	137584	81	215213	73	227611	125
		137587	87	215214	125	227612	125
112772	111	137605	15, 17, 23, 25, 31, 33, 39, 41, 47, 49, 55, 57, 113	215215	125	227613	125
114202	11, 13, 19, 21, 27, 29, 35, 37, 43, 45, 51, 53			215229	71	227614	123
				215330	75	227713	141
114334	21, 37, 53	137611	87, 113	215488	77	227714	141
114337	19, 35, 51	137634	115	215914	83	227715	141
114338	23, 25, 39, 41, 55, 57	137637	81, 113	215915	83	227716	141
		137640	113	216005	77	227717	141
114371	23, 25, 39, 41, 55, 57	137655	81	216027	15, 17, 31, 33, 47, 49	227724	137
		137656	15, 17, 23, 25, 31, 33, 39, 41, 47, 49, 55, 57, 113	216031	23, 39, 41	227726	137
114385	11, 13, 27, 29, 43, 45			216828	27	227728	137
				216829	27	227730	137
114386	13, 15, 17, 29, 31, 33, 45, 47, 49	137668	81	216830	43	227732	137
				216831	43	227735	137
						227738	137

Part Number Index (continued)

Part Number	Page	Part Number	Page	Part Number	Page	Part Number	Page
227740	137	235464	113	238369	85	43658	21, 37, 53
227742	137	235497	79	238370	85	43956	111
227768	141	235498	79	238371	85	44174	133
22788	67, 89, 93, 97	235662	60	238372	85	44175	133
228103	95	235663	60	238373	85	44227	121
228947	75	235693	77	238374	85	44230	133
228973	75	235696	77	238375	85	44255	11, 13, 27, 29, 43, 45
229086	115	235697	77	238376	85	44736	15, 17, 31, 33, 47, 49
229087	115	235719	75	238377	85	44973	121
229088	115	236018	77	238382	73	44980	21, 37, 53
229089	115	236019	77	238383	73, 75	44981	13, 15, 17, 21, 23, 25, 29, 31, 33, 37, 39, 41, 45, 47, 49, 53, 55, 57
229092	115	236021	73	238384	79	45112	59-60
229093	115	236066	87	238385	79	45113	59-60
229094	115	236067	87	24514	107	45114	59-60
229097	115	236068	87	25284	59-60, 63, 65	45384	83
229167	59-60	236126	45, 53	25388	75, 111	45437	111
229642	77	236360	15, 17, 23, 25, 31, 33, 39, 41, 47, 49, 55, 57	25817	59-60, 119	45470	79, 111
229750	87			27246	81	45645	81
229827	11, 13, 27, 29, 43, 45	236415	13, 21, 29, 37, 45, 53	27894	139	45748	59-60
229828	19, 21, 35, 37, 51, 53	236429	77	27895	139	47077	139
229845	113	236802	75	27900	139	47230	103, 107
230485	73	236813	59-60	27901	139	47238	129
230488	73	237116	15, 17, 31, 33, 47, 49	27903	139	47478	103, 107
230489	25			28174	11, 13, 15, 17, 19, 23, 25, 29, 31, 33, 37, 39, 41, 45, 47, 49, 53, 55, 57	47793	105
230490	41	237117	11, 27, 43			4828	63, 65, 67, 71, 73, 75, 79, 81, 83, 89, 91, 93, 95, 97, 101, 103, 105, 107, 109, 131, 135, 139, 141
230491	57	237118	11, 27, 43	28175	11, 13, 27, 29, 43, 45	48425	107
230492	23	237119	15	28176	15, 17, 31, 33, 47, 49	48878	125
230493	39	237120	31			48905	119, 125, 137
230494	55	237121	47	28235	11, 13, 15, 17, 19, 23, 25, 29, 31, 33, 37, 39, 41, 45, 47, 49, 53, 55, 57	48909	125, 137
230804	11, 13, 27, 29, 43, 45	237122	15, 17, 23, 25, 31, 33, 39, 41			48911	59-60
230805	25	237123	11, 13, 19, 21			48912	125
230806	41	237124	27, 29, 35, 37			48915	125
230807	57	237125	43, 51			48916	121, 123, 125, 137
230809	23	237126	15, 17, 23, 25, 31, 33, 39, 41, 47, 49, 55, 57	28236	15, 17, 31, 33, 47, 49	48930	137
230810	39	237127	15, 17, 23, 25, 31, 33, 39, 41, 47, 49, 55, 57	28373	11, 13, 27, 29, 43, 45	48933	125, 137
230811	55					48946	125
230850	71	237130	11, 13, 27, 29, 43, 45	28443	89	48947	125
230858	121	237131	15, 31, 47	28646	135	48948	137
230861	117	237132	13, 29, 45	29868	69, 83, 107, 131	48959	125
231650	59-60	237134	11, 27	30418	89, 93, 97	48960	125
232523	65	237135	17, 33, 49	30434	89, 93, 97	48984	125
232536	67	237254	60	31060	11, 27, 43	48997	125
232537	67	237340	59-60, 65	31506	71	49517	125
232549	71	237431	79	31508	13, 29, 45	49775	60
232852	60	237432	79	31658	71	49816	127, 131
232853	60	237476	87	31788	11, 27, 43	49818	77
233767	60	237613	113	33550	107	49819	81
234599	117	237615	113	33629	111	49820	77, 81
234600	117	237616	81	33724	111	49821	69, 89, 93, 97
234665	59-60	237618	81	33987	65	49857	59-60, 69
234666	59-60	237773	59-60	34053	81	50793	65
234830	87	237797	117, 125	35461	69, 89, 93, 97	51428	129
234831	87	237920	17	35706	107	51474	65
234832	87	237921	33	37947	81	51814	135
234833	87	237922	49	38016	107	5224	131
234834	87	237923	11, 27	38020	81	52475	11, 13, 19, 21, 27, 29, 35, 37, 43, 45, 51, 53
234837	87	237924	19, 35, 51	38028	103, 131	52494	15, 17, 31, 33, 47, 49
234999	133	237925	19, 35	38149	13, 29, 45	52865	13, 29, 45
235089	131	237926	11, 13, 19, 21, 27, 29, 35, 37, 43, 45, 51, 53	39540	81, 113	52907	117
235091	131			39875	125	53452	59-60
235122	97	237927	15, 17, 31, 33, 47, 49	39882	119, 125		
235163	47, 49, 55, 57			40434	15, 17, 23, 25, 31, 33, 39, 41, 47, 49, 55, 57		
235375	59-60	237931	125	40928	91, 95		
235377	65	237932	125	4266	59-60, 95, 97, 105		
235380	81	238256	125				
235381	81	238299	59-60	43392	83		
235382	81	238364	85	43618	15, 17, 23, 25, 31, 33, 39, 41, 47, 49, 55, 57		
235383	81	238365	85				
235397	71	238366	85				
235398	87	238367	85				
235399	87	238368	85				
235400	87						
235463	115						



Part Number Index (continued)

Part Number	Page	Part Number	Page	Part Number	Page	Part Number	Page
53500	119	6700	81	82561	11, 13, 27, 29,	T114397	113
5365	65, 77	6708	105, 107		43, 45	T114638	15, 17
5397	73	67387	63	82562	19, 21, 35, 37,	T114639	31, 33
54380	131	6782	73, 83, 107		51, 53	T114640	47, 49
54627	59-60, 65	67933	135	82666	19, 21, 35, 37,	T114860	67
54958	59-60	6873	77		51, 53	T115515	67
54959	59-60	6878	73, 75, 77, 105,	83020	125		
54960	59-60		127, 131	83092	65		
54961	59-60	6886	65	83093	81		
54962	59-60	6889	73, 75, 77, 79,	83131	81		
55484	135		105, 107, 109	84109	133		
55485	135	69853	113	84421	121		
55517	81, 83, 107	7056	111	84422	121		
55559	121	70684	77	84423	121		
55587	79	71202	73	8516	67		
55682	135	7127	111	87002	131		
55906	75	71315	103, 107	87172	125		
55921	73	71376	103	87193	111		
56302	81	71484	71	87265	127		
56462	79	71508	69, 71	87312	79		
56912	59-60, 65, 67,	71874	65, 77	87320	105		
	129	71912	131	87523	103		
58222	73	72086	11, 13, 19, 21,	87568	103		
58223	73		27, 29, 35, 37,	87570	107		
58320	65		43, 45, 51, 53	87571	107		
59568	131	72097	135	87645	107		
6019	83, 131	72186	11, 13, 27, 29,	87675	107		
6021	73, 83		43, 45	87684	65, 73		
60334	73	72326	113	89065	59-60		
60424	77	72970	13, 29, 45	89066	59-60		
60438	77	72998	13, 29, 45	8914	79, 109		
60746	59-60	72999	13, 29, 45	8915	59-60, 77		
60790	67	7339	63	94499	117, 125		
60857	73	73464	65	96008-S	81		
6086	67, 79	73466	65, 141	96010	81		
6090	59-60, 65, 67,	73730	81	96203	73, 79, 93, 97		
	71, 79, 107, 111	74267	77	96236	111		
6091	59-60, 65, 71,	74389	59-60	96320	65		
	73, 75, 77, 79,	74651	77	96452	81		
	81, 83, 89, 91,	74714	65	96905	89, 91, 95		
	95, 97, 103, 107,	75041	81	96977	67, 89, 93, 97,		
	111, 127, 131	76494	79		99, 101		
6095	67, 93, 97	7713	65, 69, 71, 107	97130	121		
6096	67, 89, 93, 97	78674	71	97172	117		
6097	63, 67, 71, 73,	78736	65, 89, 91, 95, 97	97719	13, 21, 29, 37,		
	79, 93, 97, 101,	79090	107		45, 53		
	109, 141	79101	59-60	99267	107		
6145	77	79102	59-60	99268	107		
6175	79, 103, 107	79355	103, 105, 107	99346	69, 71, 77		
6178	77, 81, 127, 131	79374	127	REF	111		
6198	67, 73, 79, 89,	79383	139	Ref.	75		
	93, 97, 99	79469	79	T106366	81		
6326	89, 91, 95, 109	79831	135	T106370	113		
64154	71, 73, 75, 83,	81579	69	T106371	81		
	89, 91, 95, 131	8177	89, 93, 97	T106372	81		
65737	75	82160	13, 29, 45	T106373	113		
6595	111	82161	13, 29, 45	T106782	71		
66030	103, 105, 107	82366	13, 29, 45	T107936	65		
66094	77	82473	19, 21, 35, 37,	T107969	65		
6626	111		51, 53	T107978	65		
66353	111	82474	19, 21, 35, 37,	T108074	109		
66355	111		51, 53	T108137	89, 91, 95		
66356	111	82475	19, 21, 35, 37,	T108138	89, 91, 95		
6637	59-60, 103, 129		51, 53	T108139	89, 91, 95		
6638	59-60, 71, 77,	82476	19, 21, 35, 37,	T109734	89, 91, 97		
	83, 103, 105,		51, 53	T109739	65		
	107, 129	82481	19, 35, 51	T109744	65		
66397	77	82487	21, 23, 25, 37,	T109745	65		
6666	75, 111		39, 41, 53, 55, 57	T112560	111		
66683	121	8255	59-60, 65, 73,	T112563	111		
66717	77		139	T113136	87		
66812	81, 113	82557	15, 17, 31, 33,	T114353	141		
66817	113		47, 49	T114354	141		
66818	81, 113	82558	13, 29, 45	T114356	141		
66821	81	82560	21, 37, 53	T114357	141		
66842	81			T114358	141		

The Part Description Index is an alphabetical index of all part descriptions included in this manual. The index shows what page(s) the part is used on.

A

ACCUMULATOR,10CC,1000PSI,#6SAE...117, 125
 ADAPTER, RJ45, GC27-25/GC21-19.....81
 ALARM,STEADY TONE***81, 113
 ASSEMBLY, STEER YOKE, LFT.....59-60
 ASSEMBLY, STEER YOKE, RT.....59-60
 ASSY, 26" NMRT TIRE/WHEEL LF.....59-60
 ASSY, 26" NMRT TIRE/WHEEL RF.....59-60
 ASSY,26" RT TIRE/WHEEL LR.....59-60
 ASSY,26" RT TIRE/WHEEL RR.....59-60
 ASSY,26"NMRT TIRE/WHEEL, LR.....59-60
 ASSY,26"NMRT TIRE/WHEEL,RR.....59-60
 ASSY,DC REAR AXLE.....65
 ASSY,LINK MOUNT, TOP,GS69.....101
 ASSY,LINK,INNER #1.....89, 91, 95
 ASSY,LINK,INNER #2.....89, 91, 95
 ASSY,LINK,INNER #3, 2669.....89
 ASSY,LINK,INNER #3, 3369.....91
 ASSY,LINK,INNER #3, 4069.....95
 ASSY,LINK,INNER #4, 4069.....95
 ASSY,LINK,INR #4-3369,#5-4069...91, 95, 101
 ASSY,RELAY SOCKET,AUTO***.....81
 ASSY,ROT SENSR W/ HARNESS.....87
 ASSY,STEER SENSOR, GS69DC.....60

B

BASE WITH 1 NC CONTACT, E-STOP.....113
 BASE,WITHOUT CONTACTS.....81
 BATT,6V,225AH T105 LPT3CAP.....79
 BATTERY, J 305GH, 315AH.....79
 BATTERY,EQUALIZER,48V-24V,3WIR.....77
 BEACON LIGHT ASSY.....127
 BEARING KIT-74097 TORQUE HUB**.....65
 BEARING,1.00IDX1.25ODX0.75L.....65
 BEARING,1.00IDX1.25ODX1.00L...59-60, 119
 BEARING,1.00IDX1.50ODX1.00L.....59-60
 BEARING,1.25IDX1.50ODX0.88L.....89, 93, 97
 BEARING,1.50IDX1.75ODX2.00L.....89, 91, 95
 BEARING,BRZ,FL,1.25X1.50X1.1.....59-60
 BEARING,FL,1.25IDX1.50ODX.44LG...89, 93, 97
 BEARING,INNER,9 BOLT HUB***.....59-60
 BEARING,OUTER,9 BOLT HUB***.....59-60
 BOLT,CARRIAGE,#10-24X.50,G2.....65, 77
 BOLT,CARRIAGE,1/2-13X1.50,GR5.....67, 89, 93, 97, 99, 101
 BOLT,CARRIAGE,1/2-13X1.75, G5.....73, 79, 93, 97
 BOLT,CARRIAGE,1/2-13X15.....79
 BOLT,CARRIAGE,1/4-20 X .63,G2.....107
 BOLT,CARRIAGE,1/4-20 X .75,G2.....73, 75, 77, 105, 127, 131
 BOLT,CARRIAGE,1/4-20 X 1.75,G2.....65
 BOLT,CARRIAGE,1/4-20 X 2.5,G2.....89, 91, 95
 BOLT,CARRIAGE,1/4X.75,G5.....81
 BOLT,CARRIAGE,3/8-16 X .75,G2.....71, 75, 81
 BOLT,CARRIAGE,3/8-16 X 1.00,G2.....65, 141
 BOLT,CARRIAGE,3/8-16 X1.00,G5.....71, 73, 75, 83, 89, 91, 95, 131
 BOLT,CARRIAGE,3/8-16 X1.50,G5.....67
 BOLT,CARRIAGE,3/8-16X1.25,GR5.....73, 141

BOLT,CARRIAGE,3/8-16X1.75.....65
 BOLT,CARRIAGE,3/8-16X2.75,G5.....65, 103, 105, 107
 BOLT,ROLLER,.470"(SHORT).....107
 BOLT,SHLDR,3/8X1.25,5/16-18S/S.....83
 BOLT,SHLDR,5/16X1/4X1/14-20S/S.....83
 BOLT,SHOULDER,5/8-11 X 1.19 LT.....131
 BOOT, 2 SWITCH, SILICON.....115
 BOOT,TOGGLE SWITCH,SHORT*.....81
 BOX,INSTRUCTION STORAGE.....107
 BRACKET,AIRLINE MOUNTING.....139
 BRASS STREET ELBOW.....139
 BRG,FL,1.5ID X 1.75OD X .5 LG.....89, 93, 97
 BULB,FLASHING BEACON.....127
 BULKHEAD,FEMALE X 6 X 6.....139
 BUMPER, 1.00 X .375 X 5/16.....107
 BUMPER, MODULE TRAY.....105
 BUMPER,BATTERY BOX & RAILS.....83
 BUMPER,LINKS,GS69.....89, 91, 97
 BUMPER,RUBBER.....103, 107
 BUMPER,RUBBER,1"OD X .461 H.....103, 107
 BUSHING, STRAIN RELIEF, 1".....59-60

C

CABLE ASSY, ANDERSON TO GRND L.....85
 CABLE ASSY, B+ TO ANDERSON PLU.....85
 CABLE ASSY, B- TO ANDERSON PLU.....85
 CABLE ASSY, BATTERY CHARGER.....75
 CABLE ASSY, BATTERY CHARGER +85
 CABLE ASSY, BATTERY CHARGER -85
 CABLE ASSY, BATTERY JUMPERS.....85
 CABLE ASSY, CONTA FUSE TO CONT.....85
 CABLE ASSY, CONTA TO PUMP MOTO.....85
 CABLE ASSY, CONTR A B+ TO CONT.....85
 CABLE ASSY, CONTR A B- TO CONT.....85
 CABLE ASSY, CONTR A P- TO PUMP.....85
 CABLE ASSY, GRND LUG TO CONTR.....85
 CABLE ASSY, PUMP MT+ TO CONTR.....85
 CABLE ASSY, ANDERSON TO CONTA.....85
 CABLE TIE MOUNT, WINGED.....89
 CABLE TIE,11.5" BLACK.....89
 CABLE TIE,BUTTON,BLACK,10.00LG.....91, 95
 CABLE, CE PSI/ANG SENSORS, GS69DC.....87
 CABLE,CNTRL,LINKS,GS2669DC.....87
 CABLE,CNTRL,LINKS,GS3369DC.....87
 CABLE,CNTRL,LINKS,GS4069DC.....87
 CABLE,CONTROL,EXTEND,GS69DC.....87
 CABLE,DOWN COILS,GS3369.....87
 CABLE,DOWN COILS,GS4069.....87
 CAP,BUTTON,K12.....113
 CAP,DISENGAGE,4HP/4HB***.....65
 CAP,DUST (54840 HUB ASSY).....59-60
 CAP,HYDRAULIC TANK,GS68/84/90.....71
 CAP,SERIES 1 CB VALVE,SINGLE**.....119
 CASTING, BALL, GS OUTRIGGER.....135
 CASTING,CW,MID,4069.....67
 CASTING,CW,REAR,4069.....67
 CASTING,OUTRIGGER FOOTPAD ***.....135
 CHARGER 48V/30A AUTO AC X-LED.....75
 CIRCUIT BREAKER, 15 AMP.....81
 CIRCUIT BREAKER,7.0 AMP***.....81
 CLAMP,#4 HOSE,CLAMP.....129
 CLAMP,0.31,#5 X 1/4,RUB CUSH.....79, 111

CLAMP,2 HOSE,PLASTIC,5/8.....65, 89, 91, 95, 97
 CLAMP,HOSE,2X#4,GS69.....59-60
 CLAMP,HOSE,FRONT,2X#4,#6.....65
 CLAMP,HOSE,FRONT,3X#4.....65
 CLIP, METAL MOUNTING.....69, 71, 77
 CLIP,RETAINING,IES CHARGER.....75
 COIL CORD CLIP.....103
 COIL, 12VDC,DIODE,DEUTSCH.....135
 COIL,24VDC #10DTSCH IP69 ECOIL.....117, 133
 COIL,24VDC #8DTSCH IP69 ECOIL.....117
 COIL-SOLENOID VALVE,20V DC***.....121
 CONN,520120-16.....125
 CONN,520120-4***.....119, 125, 137
 CONN,520120-4-6***.....125
 CONN,520120-8***.....125, 137
 CONN,520120-8-10.....125
 CONN,520120-8-12.....137
 CONN,BLANK,L MTR CTRL,GS69DC.....73
 CONN,PLUG 2 WAY,14-18GA.....77
 CONN,RECEP 12 WAY,GRY FLANGE.....81
 CONN,RECEP 2 WAY,14-18GA.....77
 CONN,SQUEEZE,1/2NPT .38-50,SM.....111
 CONNECTOR,ANDERSON SB 175***.....77
 CONTACT,NC.....81, 113
 CONTACTOR,DRIVE,24V,180A***.....77
 CORD AC IEC320-C19 TO 110US.....75
 CORD EURO AC IEC320-C19PIGTAIL.....75
 COUPLER,090136, 4-6.....125
 COUPLER,1/4"SERIES 3/8 MPT.....139
 COVER, RJ45, GC27-25/GC21-19.....81
 COVER,BLANK.....111
 COVER,GFCI,WEATHERPROOF.....111
 COVER,REAR AXLE.....65
 CYLINDER, LIFT, LOWER, GS69.....121
 CYLINDER,LIFT,UPPER,4069.....121
 CYLINDER,OSCILATING,GS69.....119
 CYLINDER,OUTRIGGER,GS69.....135
 CYLINDER,STEER***.....59-60

D

DECAL COSMETIC,GS4069DC.....47, 49, 55, 57
 DECAL KIT,2669DC COMP,SYM,ANSI.....19
 DECAL KIT,2669DC COMP,SYM,CE.....19
 DECAL KIT,2669DC PLAT,SYM,ANSI.....19
 DECAL KIT,2669DC PLAT,SYM,CE.....19
 DECAL KIT,2669DC PLAT,WRDS,AUS.....11
 DECAL KIT,3369DC COMP,SYM,ANSI.....35
 DECAL KIT,3369DC COMP,SYM,CE.....35
 DECAL KIT,3369DC COMP,WRD,ANSI.....27
 DECAL KIT,3369DC COMP,WRD,AUS.....27
 DECAL KIT,3369DC PLAT,SYM,ANSI.....35
 DECAL KIT,3369DC PLAT,SYM,CE.....35
 DECAL KIT,3369DC PLAT,WRDS,ANSI.....27
 DECAL KIT,3369DC PLAT,WRDS,AUS.....27
 DECAL KIT,4069DC COMP,SYM,ANSI.....51
 DECAL KIT,4069DC COMP,SYM,CE.....51
 DECAL KIT,4069DC COMP,WRD,ANSI.....43
 DECAL KIT,4069DC COMP,WRD,AUS.....43
 DECAL KIT,4069DC PLAT,SYM,ANSI.....51
 DECAL KIT,4069DC PLAT,SYM,CE.....51
 DECAL KIT,4069DC PLAT,WRD,ANSI.....43
 DECAL KIT,4069DC PLAT,WRD,AUS.....43

Part Description Index (continued)

- DECAL, GROUND CONTROL PANEL, G...13, 21, 29, 37, 45, 53
 DECAL, LABEL, SAFETY ARM SYMB.....13, 21, 29, 37, 45, 53
 DECAL, UI, GS69DC,PCON.....15, 17, 23, 25, 31, 33, 39, 41, 47, 49, 55, 57
 DECAL,ANNUAL INSP***.....13, 29, 45
 DECAL,BATT CONN DIAGRAM,J305.....11, 27, 43
 DECAL,BATT CONN DIAGRAM,T105.....11, 27
 DECAL,CAUTION,CRUSH HAZ, RAILS.....15, 17, 31, 33, 47, 49
 DECAL,CHEVRON RANDO HD.....13, 29, 45
 DECAL,COMPARTMENT ACCESS.....11, 13, 27, 29, 43, 45
 DECAL,COSMETIC GENIE GS-2669DC....15, 17, 23, 25
 DECAL,COSMETIC GENIE GS-3369DC....31, 33, 39, 41
 DECAL,CRUSH HAZ RAILS SYMB.....23, 25, 39, 41, 55, 57
 DECAL,DANGER DO NOT ALTER SWTC.....11, 27, 43
 DECAL,DANGER,BATTERY SAFETY***.....11, 27, 43
 DECAL,DANGER,CRUSHING HAZARD.....11, 13, 27, 29, 43, 45
 DECAL,DANGER,ELEC HAZARD,GS.....11, 13, 27, 29, 43, 45
 D E C A L , D A N G E R , E L E C T HAZARD,PLUG.....13, 29, 45
 DECAL,DANGER,MAN FRC, GS2669.....25
 DECAL,DANGER,MAN FRC, GS3369.....41
 DECAL,DANGER,MAN FRC, GS4069.....57
 DECAL,DANGER,OUTRIGGER SAFETY...15, 17, 31, 33, 47, 49
 DECAL,DANGER,SIDE FRC,GS2669.....23
 DECAL,DANGER,SIDE FRC,GS3369.....39
 DECAL,DANGER,SIDE FRC,GS4069.....55
 DECAL,DANGER,TIP-OVER,TILT.....15, 17, 31, 33, 47, 49
 DECAL,DANGER-GEN SAFETY.....13, 15, 17, 29, 31, 33, 45, 47, 49
 D E C A L , D A N G E R - R U N A W A Y HAZARD,SLOPE....15, 17, 23, 31, 33, 39, 41, 47, 49
 DECAL,DANGER-TIP-OVR,BATT,J305.....11, 27, 43
 DECAL,DANGER-TIP-OVR,BATT,T105.....11, 27
 DECAL,DANGER-USE SAFETY ARM.....11, 13, 27, 29, 43, 45
 DECAL,DNGR-TIP-OVR,BATT,J305CE.....19, 35, 51
 DECAL,DNGR-TIP-OVR,BATT,T105CE.....19, 35
 DECAL,E-STOP,GR/GRC/GS PCON....15, 17, 23, 25, 31, 33, 39, 41, 47, 49, 55, 57, 113
 DECAL,FORK LIFT POCKET.....11, 13, 27, 29, 43, 45
 DECAL,GRND OPS INSTRUCT,GS69DC...13, 29, 45
 DECAL,INSTRUCTIONS-CHARGER OP....13, 29, 45
 DECAL,LABEL,AIRLINE 110 PSI....13, 15, 17, 21, 23, 25, 29, 31, 33, 37, 39, 41, 45, 47, 49, 53, 55, 57
 DECAL,LABEL,FAULT CODES,69DC.....15, 17, 31, 33, 47, 49
 DECAL,LABEL,FORKLIFT POCKET....19, 21, 35, 37, 51, 53
 DECAL,LABEL,HOT,SYMBOL.....19, 21, 35, 37, 51, 53
 DECAL,LABEL,LIFTING EYE....11, 13, 19, 21, 27, 29, 35, 37, 43, 45, 51, 53
 DECAL,LABEL,MANUAL NOT HERE...15, 17, 31, 33, 47, 49
 DECAL,LABEL,OUTRIGGER LD....11, 13, 19, 21, 27, 29, 35, 37, 43, 45, 51, 53
 DECAL,LABEL,PATENTS.....13, 29, 45
 DECAL,LABEL,PETRO CANADA***.....13, 29, 45
 DECAL,LABEL,PLAT CONT LOCATION.....15, 17, 31, 33, 47, 49
 DECAL,LABEL,PWR TO CHARGR 115V....21, 37, 53
 DECAL,LABEL,PWR TO CHARGR 230V....21, 37, 53
 DECAL,LABEL,QUINTOLUBRIK.....13, 29, 45
 DECAL,LABEL,STATOIL HYDRA WAY.....13, 29, 45
 DECAL,LABEL,TRANSPORT TIE 68....11, 13, 19, 21, 27, 29, 35, 37, 43, 45, 51, 53
 DECAL,LABEL,TRANSPORT TIEDOWN*..11, 13, 19, 21, 27, 29, 35, 37, 43, 45, 51, 53
 DECAL,LABEL,UCON HYDROLUBE....13, 29, 45
 DECAL,LABEL,WHEEL LD,GS2669DC.....11, 13, 19, 21
 DECAL,LABEL,WHEEL LD,GS3369DC.....27, 29, 35, 37
 DECAL,LABEL,WHEEL LD,GS4069DC.....43, 45, 51, 53
 DECAL,LABEL-DIRECTION ARROWS.....15, 17, 23, 25, 31, 33, 39, 41, 47, 49, 55, 57
 DECAL,LANYARD ANCHORAGE POINT...15, 17, 23, 25, 31, 33, 39, 41, 47, 49, 55, 57
 DECAL,MEMBRANE, GR/GRC/GS GCON...81
 DECAL,NOTICE,MAX CAP GS2669.....15, 17, 23, 25
 DECAL,NOTICE,MAX CAP GS3369.....39, 41
 DECAL,NOTICE,MAX CAP GS4069.....47, 49, 55, 57
 DECAL,NOTICE,MAX CAP,GS3369.....31, 33
 DECAL,NOTICE,SIDE FRC GS2669DC.....15, 17
 DECAL,NOTICE,SIDE FRC GS3369DC.....31, 33
 DECAL,NOTICE,SIDE FRC GS4069DC.....47, 49
 DECAL,NOTICE,TIRE SPECS, FRONT.....11, 13, 27, 29, 43, 45
 DECAL,NOTICE,TIRE SPECS, REAR.....11, 13, 27, 29, 43, 45
 DECAL,PLAT OPS INSTRUCT,GS69DC.....15, 17, 31, 33, 47, 49
 DECAL,POWER TO PLATFORM 115V.....11, 13, 15, 17, 19, 23, 25, 29, 31, 33, 37, 39, 41, 45, 47, 49, 53, 55, 57
 DECAL,POWER TO PLATFORM 230V.....11, 13, 15, 17, 19, 23, 25, 29, 31, 33, 37, 39, 41, 45, 47, 49, 53, 55, 57
 DECAL,PROPEL,GR/GRC/GS,PCON.....15, 17, 23, 25, 31, 33, 39, 41, 47, 49, 55, 57, 113
 DECAL,SKIN INJECTION.....13, 29, 45
 DECAL,SYM-ELEC HAZARD,PLUG.....21, 37, 53
 DECAL,SYM-TIP-OVER,OUTRGR.....23, 25, 39, 41, 55, 57
 DECAL,SYM-TIP-OVR,LIM SWITCH....19, 35, 51
 DECAL,SYM-TIP-OVR,TILT ALARM.....23, 25, 39, 41, 55, 57
 DECAL,SYMBOL-BATTERY SAFETY.....19, 35, 51
 DECAL,SYMBOL-COMP ACCESS.....19, 21, 35, 37, 51, 53
 DECAL,SYMBOL-CRUSHING HAZARD.....19, 21, 35, 37, 51, 53
 DECAL,SYMBOL-ELEC HAZARD,GS.....19, 21, 35, 37, 51, 53
 DECAL,SYMBOL-FOOT CRUSHING....19, 21, 35, 37, 51, 53
 DECAL,SYMBOL-READ THE MANUAL.....21, 23, 25, 37, 39, 41, 53, 55, 57
 DECAL,SYMBOL-SKIN INJECT HAZRD....21, 37, 53
 DECAL,SYMBOL-USE SAFETY ARM.....19, 21, 35, 37, 51, 53
 DECAL,UI,GS69DC W/OR,PCON...15, 17, 23, 25, 31, 33, 39, 41, 47, 49, 55, 57
 DECAL,WARN,IMPROPER OPERATION...15, 17, 31, 33, 47, 49
 DECAL,WARNING,CRUSHING HAZARD...11, 13, 27, 29, 43, 45
 DECAL,WARNING,HOT SURFACE.....11, 13, 27, 29, 43, 45
- ## E
- E-STOP BUTTON.....81, 113
 ELBOW,070220-4-6.....125
 ELBOW,90D,520220-16-12.....125
 ELBOW,90D,520220-4-6***.....59-60
 ELBOW,90D,520220-6.....125
 ELBOW,90D,520220-8-12.....125
 ENCLOSURE, GC21-19, BK.....81
 ENCLOSURE, GC27-25, BK.....81
 ENCLOSURE,GC14-1,TOP.....113
 ENCLOSURE,GC14-1/GC16-1, BOT.....113
 ENCLOSURE,GC16-1,TOP.....113
 ENCLOSURE,GC27-25/GC21-19,FRNT.....81
 EXTRUSION,ALUM,V-ROLLER TRK.....107
 EXTRUSION,RUBBER BUMPER STRIP.....71
- ## F
- FILTER ASSY,HIGH PRESS SAE-12*.....73
 FILTER,ELEMENT,BETA(5)=1000.....73
 FITTING,CONN,520120-12.....125
 FITTING,CONN,520120-6...121, 123, 125, 137
 FITTING,CONN,520120-6-8***.....137
 FITTING,ELBOW,90D,520220-12.....125
 FOOTPAD ASSY,RTSC OUTRIGGER.....135
 FORMING, BATTERY BALANCER BRAC.....77
 FORMING, BATTERY BRACKET,GS90.....79
 FORMING, BATTERY SHELF.....79
 FORMING, BOX, CONTROL ENCLOSUR...81
 FORMING, BRACKET, CONTROL BOX.....71
 FORMING, BRACKET, RELAY MOUNT.....81
 FORMING, DOOR, BULKHEAD MOUNT.....81
 FORMING, DOOR, GCON MOUNT.....81
 FORMING, LINK GUARD, BACK, 26/33.....141
 FORMING, LINK GUARD, FRONT, 26/33...141
 FORMING, LINK GUARD, SIDE, 26/33.....141
 FORMING, MOTOR BRACKET.....73
 FORMING, SAFETY ARM.....89, 91, 95

FORMING, STEER SENSOR COVER PL...59-60
 FORMING, STEER SENSOR COVER, G.....60
 FORMING, BATT HOLDER, REAR.....79
 FORMING, BATT TRAY, J305, GS69DC.....79
 FORMING, BATTERY HOLDER FRONT.....79
 FORMING, BEACON MOUNT.....127
 FORMING, BRACE, 69DC CONTROLS BO...71
 FORMING, CHASSIS COVER.....67
 FORMING, CLAMP, CHASSIS, FRONT.....65
 FORMING, DOOR LATCH HANDLE, LT.....83
 FORMING, DOOR LATCH HANDLE, RT.....83
 FORMING, DOWN LIMIT SWITCH MNT.....89, 93, 97
 FORMING, DRIVE HOSE CLAMP MOUNT...65
 FORMING, EXT DECK CATCH.....107
 FORMING, EXT DECK STOP, LEFT.....107
 FORMING, EXT DECK STOP, RIGHT.....107
 FORMING, FUSE BOX.....77
 FORMING, HANDLE BATTERY CONN.....77
 FORMING, HIGH PRESS FILTER BRKT.....73
 FORMING, LINK GUARD, SIDE, OPT, 40.....141
 FORMING, LINK GUARD, BOXTOP.....141
 FORMING, LINK GUARD, END, 40.....141
 FORMING, LINK GUARD, SIDE, 40.....141
 FORMING, LNK GRD, SIDE, OPT, 26/33.....141
 FORMING, MID CW BRACKET.....67
 FORMING, O/R FRONT CLAMP.....129
 FORMING, O/R HOSE COVER.....131
 FORMING, O/R LIM SWTCH BRACKET.....131
 FORMING, OSC COVER, GS69.....63
 FORMING, PLAT CONTROL BOX.....113
 FORMING, PLATFORM STOP, RIGHT.....107
 FORMING, PLATFORM STOP, LEFT.....107
 FORMING, REAR DRIVE HOSE CLAMP.....65
 FORMING, TRAY SUP, J305, GS69DC.....79
 FUSE BLOCK, ANN & ANL FUSE.....77
 FUSE, 13 AMP, 220V PLUG.....111
 FUSE, 13 AMP, 220V PLUG***.....75
 FUSE, 325 AMP, VERY FAST ACTING.....77
 FUSE, 40 AMP, NON TIME DELAY, ANL.....77

G

GASKET, UK & DIN PWR. TO PLAT.....111
 GASKET, UK RECEPTACLE.....111
 GASKET, (BOOT) FLANGE INLET PLG.....75
 GAUGE, HYDRAULIC TANK T/L VL.....71
 GCON, 69 DC SL1K.....81
 GCON, 69DC, OUTRIGGER, SL1K.....81
 GROMMET, RUBBER 1.5 ID.....129
 GROMMET, RUBBER, 1.75 ID.....65

H

HANDLE HALF, LEFT, W/TOP SWITCH.....115
 HANDLE HALF, RIGHT, W/TOP SWITCH.....115
 HARNESS, CONTROL POWER, GS69DC.....87
 HARNESS, ESTOP, GR/GRC/GS PCON.....87
 HARNESS, MOTOR/BRAKE, GS69DC.....87
 HARNESS, OUTRIGGER, MAIN, GS69DC.....87
 HARNESS, BEACON, GS69.....87, 127
 HARNESS, DOWN LIMIT SENSOR, GS69.....87
 HARNESS, EXTEND, OSC LS, GS69DC.....87
 HARNESS, FUNCTION, HYD, GS69DC.....87
 HARNESS, LCP, GS69DC.....87
 HARNESS, MOTOR CONTROL, GS69DC.....87
 HARNESS, OSC SWITCH REAR.....87
 HARNESS, OUTRIGGERS, FRNT, GS69.....87
 HARNESS, OUTRIGGERS, REAR, GS69.....87

HARNESS, PRESS, TRANSDUCER***.....87
 HARNESS, SENSORS, GS69DC.....87
 HINGE, GSRT90 BOX.....81, 83, 107
 HINGE, SPRING, LONG LEG.....105
 HOOK-BATT HOLD DOWN 12"LG.....79
 HORN, 24VDC, SPADE TERMINALS***.....69
 HOSE ASSY, EF (OR.MF)-LF.OR.TEE.....137
 HOSE ASSY, ER (OR.MF)-LR.OR.TEE.....137
 HOSE ASSY, FR (OR.MF)-RF.OR.TEE.....137
 HOSE ASSY, LF.OR.TEE-E (RF.OR.CY).....137
 HOSE ASSY, LF.OR.TEE-E (RF.OR.CY).....137
 HOSE ASSY, LIFT (F.MF)-P (TEE).....125
 HOSE ASSY, LR.OR.TEE-E (LR.OR.CY).....137
 HOSE ASSY, LR.OR.TEE-E (RR.OR.CY).....137
 HOSE ASSY, OR (F.MF)-IN (OR.MF).....137
 HOSE ASSY, OSC (F.MF)-OSC (TEE).....125
 HOSE ASSY, OSC (TEE)-E (L.OSC.CYL).....125
 HOSE ASSY, OSC (TEE)-E (R.OSC.CYL).....125
 HOSE ASSY, OSC (TEE)-R (L.OSC.CYL).....125
 HOSE ASSY, OSC (TEE)-R (R.OSC.CYL).....125
 HOSE ASSY, OSC (F.MF)-OSC (TEE).....125
 HOSE ASSY, PRESS (TEE)-PRESS (LLC).....125
 HOSE ASSY, PRESS (TEE)-PRESS (ULC).....123
 HOSE ASSY, RET (LLCYL)-RET (TEE).....125
 HOSE ASSY, RET (TEE)-TANK.....125
 HOSE ASSY, RET (ULCYL)-RET (TEE).....123
 HOSE ASSY, RF.OR.TEE-R (LF.OR.CY).....137
 HOSE ASSY, RF.OR.TEE-R (RF.OR.CY).....137
 HOSE ASSY, RR (OR.MF)-RR.OR.TEE.....137
 HOSE ASSY, RR.OR.TEE-R (LR.OR.CY).....137
 HOSE ASSY, RR.OR.TEE-R (RR.OR.CY).....137
 HOSE ASSY, S1 (F.MF)-B (STRCYL).....125
 HOSE ASSY, S2 (F.MF)-R (STRCYL).....125
 HOSE END, BARBED, RIGID, -6-6.....139
 HOSE, ASSY, FIL-P, IN (F.MF).....125
 HOSE, ASSY, OUT (PUMP)-FIL.....125
 HOSE, ASSY, SUCT (TANK)-IN (PUMP).....125
 HOSE, ASSY, T (OR.MF)-TIN (F.MF).....137
 HOSE, ASSY, T-OUT (F.MF)-RET (TNK).....125
 HOSE, LOW PRESSURE, 3/75 ID, BLK.....139
 HOUSING ASSY, OUTRIGGER, SY.....131
 HOUSING ASSY, OUTRIGGER, WO.....131
 HUB, SUB ASSEMBLY, 9 BOLT***.....59-60

I

INSERT, 1/4-20 X .5, ULTRASONIC.....113
 INSERT, 10-32 X .25.....81
 INVERTER, 48VDC, 120VAC/60HZ.....77

J

JOYSTICK, HALL EFFECT, SINGLE.....115
 JUMPER, SENSOR, TERMINAL.....87

K

KEY SINGLE***.....81
 KEYS, 10 PACK***.....81
 KEYSWITCH, 3 POS W/KEYS, LOCKING.....81
 KEYSWITCH, 3 POS. W/KEYS***.....81
 KIT, ASSY, LED, IES CHARGER.....75
 KIT, BOOT, JOYSTICK, SL1000.....115
 KIT, COIL CORD, CONTRLR, SL1000.....113
 KIT, GASKET, UK POWER TO PLAT.....111
 KIT, SERVICE, TIE ROD, GS69DC.....59-60
 KIT, SWITCH, JYSTK, SL1000.....115
 KIT, TORQUE HUB COVER (101584)**.....65

L

LABEL, PCON, 69DC, OUTRIGGER.....113
 LABEL, SERIAL 69 DC PCON SL1K.....113
 LATCH, BATT/HYDR TRAY***.....83
 LENS, FLASHING BEACON.....127
 LEVEL SENSOR, LS60, BLUE, 2X3**.....71
 LEVEL, BUBBLE 3 DEGREE.....131
 LOCKNUT, ELECTRIC, 3/4".....77
 LUG, WHEEL STUD, 5/8-18, W1/4HB**.....65

M

MANIFOLD, FUNCTION, GS69, DC.....117
 MANIFOLD, OUTRIGGER, GS69DC.....133
 MOTOR CONTROLLER, 48VAC, 3PH.....73
 MOTOR W/TACH, 48VDC, 12.25 HP.....73
 MOTOR, DRIVE, AC, INT. BRAKE, IP67.....65

N

NICKEL PLATED JAM NUT.....81
 NIPPLE, DIAGNOSTIC, #4 PORT***.....125
 NO PLUG.....75, 111
 NUT - PLASTIC, RING FOR ALARMS.....113
 NUT, COIL (39909).....121
 NUT, HEX, 1/2-13 GRD 8.....59-60, 67
 NUT, LOCKING-LG.FLANGE, «-13.....65
 NUT, LOCKING-LG.FLANGE, 5/16-18.....77
 NUT, LOCKING-LRG.FLANGE, 3/8-16.....107
 NUT, LP NYLOCK, 1/2-13.....67, 79
 NUT, LP NYLOCK, 1/4-20...73, 75, 77, 79, 105, 107, 109
 NUT, LP NYLOCK, 10-32.....60
 NUT, LP NYLOCK, 3/8-16.....65, 69, 71, 107
 NUT, LP NYLOCK, 5/8-11.....103, 131
 NUT, LUG, 5/8-18 X 90 DEGREE, Z45.....59-60, 65
 NUT, NYLOCK, 1/2-13.....67, 73, 79, 89, 93, 97, 99
 NUT, NYLOCK, 1/4-20.....59-60, 65, 71, 73, 75, 77, 79, 81, 83, 89, 91, 95, 97, 103, 107, 111, 127, 131
 NUT, NYLOCK, 10-24.....65, 77
 NUT, NYLOCK, 10-32.....77, 81, 127, 131
 NUT, NYLOCK, 3/4-10.....129
 NUT, NYLOCK, 3/8-16.....63, 65, 67, 71, 73, 75, 79, 81, 83, 89, 91, 93, 95, 97, 101, 103, 105, 107, 109, 131, 135, 139, 141
 NUT, NYLOCK, 5/16-18.....73, 83, 107
 NUT, NYLOCK, 6-32.....77
 NUT, NYLOCK, 8-32.....65, 69, 75, 81, 89, 93, 97, 131
 NUT, SOLENOID VALVE, OUTRIGGERS.....135
 NUT, SPINDLE, 1-14.....59-60
 NUT-COIL SHORT.....133
 NUT-THIN HEAVY HEX, 1/4-20.....77

O

O-RING, .188 X 5'OD, BUNA N, 70A.....65
 O-RING, END COVER, 4HP/4HB***.....65
 O-RING, FILTER ASSY (60334)***.....73
 O-RING-4.....119
 ORIFICE DISK, .030.....117
 ORIFICE, LONG, .046.....121
 ORIFICE, LONG, .086".....121
 OUTLET, 110V GFCI***.....111

P

PAD, SENSE AXLE REST.....65

VALVE,COUNTERBALNCE,3800 PSI.....119
 VALVE,DBL PULL S-NOID 20V***.....121
 VALVE,DIR,#10 SAE,3 POS. 4 WAY.....133
 VALVE,DIRECTION,2-POS,3WAY,SCRN....117
 VALVE,FLOW REG,2.0 GPM.....117
 VALVE,NC,BI-DI,CART***.....135
 VALVE,RELIEF,3300 PSI.....117
 VALVE,SOLENOID, 2POS,3WAY,SCRN.....117
 VALVE,SOLENOID,2-POS,3-WAY.....117
 VALVE-CHECK, #4 SAE, 5 PSI*.....117
 VALVE-RELIEF,2500PSI.....121
 VALVE-RELIEF,3500PSI.....117

W

WASHER, FENDER, .125X.531X2.5.....79
 WASHER,FLAT .56 X 1.375 X .11.....59-60
 WASHER,FLAT,.625 HARDENED.....65
 WASHER,FLAT,1.510X2.125.....89, 91, 95
 WASHER,FLAT,M10,ZINC PLTD.....73
 WASHER,FLAT,MS,#8,Y.....69, 89, 93, 97
 WASHER,FLAT,SAE,3/8",Y.....107
 WASHER,FLAT,USS,1/2",Y.....67, 93, 97
 WASHER,FLAT,USS,1/4"Y.....59-60, 71, 77,
 83, 103, 105, 107, 129
 WASHER,FLAT,USS,3/8",Y.....63, 67, 71, 73,
 79, 93, 97, 101, 109, 141
 WASHER,FLAT,USS,5/16",Y.....73
 WASHER,LOCK,.313.....65
 WASHER,LOCK,.375.....73, 83
 WASHER,SPINDLE.....59-60
 WASHER,STAR,EXTERNAL,.375.....81
 WASHER-SOLENOID VALVE (66683)*.....121
 WEAR PAD,SLIDER FOOT,LOWER.....89, 93,
 97
 WEAR PAD,SLIDER FOOT,UPPER.....89, 93,
 97
 WELDMENT, GS4068 LADDER.....67
 WELDMENT, MAIN RAIL, LEFT.....103
 WELDMENT, MAIN, A-RAIL, LEFT.....105
 WELDMENT, MAIN, A-RAIL, RIGHT.....105
 WELDMENT, MOTOR SPRAY GUARD.....73
 WELDMENT,26/32 LADDER.....67
 WELDMENT,BATTERY BOX,GS69DC.....77
 WELDMENT,BOX DOOR,LEFT,WINDOW....83
 WELDMENT,BOX DOOR,RT.....83
 WELDMENT,CHASSIS LINK PVT,2669.....89
 WELDMENT,ENTRY GATE**.....105
 WELDMENT,EXT DECK RAIL,END.....107
 WELDMENT,EXT.DECK,GS69.....107
 WELDMENT,FRONT STEER,GS69DC.....59-
 60
 WELDMENT,KING PIN.....59-60
 WELDMENT,LINK,OUTER #1.....89, 91, 95
 WELDMENT,LINK,OUTER #2,3,4.....91, 95
 WELDMENT,LINK,TOP OUTER,GS69.....89,
 91, 95, 99, 101
 WELDMENT,LOWER LADDER STEP.....67
 WELDMENT,MAIN PLATFORM,GS69.....99,
 101
 WELDMENT,MAIN RAIL,RIGHT.....103
 WELDMENT,O/R SWITCH COVER.....131
 WELDMENT,OSC.AXLE.....59-60
 WELDMENT,OUTRIGGER COVER.....131
 WELDMENT,OUTRIGGER YOKE.....131
 WELDMENT,PLAT PIVOT,33/4069.....93, 97,
 99
 WELDMENT,PLATFORM PIVOT,2669.....89
 WELDMENT,SIDE EXT RAIL,LEFT.....107
 WELDMENT,SIDE EXT RAIL,RIGHT.....107

WELDMENT,SLIDER FOOT, 32/4069.....93, 97
 WELDMENT,SLIDER FOOT, GS2669.....89
 WELDMENT,TIE ROD,GS69DC.....59-60
 WELDMNT,LINK,TOP INNER,32/4069.....99
 WHEEL ASSY,LEFT,F/R LP,RT***.....59-60
 WHEEL ASSY,RIGHT,F/R LP,RT***.....59-60
 WHEEL DRIVE,4HB,57:1***.....65
 WIRE CABLE,14/3 CON.TPE JKT*.....111
 WIRE CAP,ORANGE.....111
 WLDMNT,MTR CNTRL CABLE GUIDE.....75
 WLDMNT,PLATFORM SPACER, 2669.....89
 WLDMT, HYD BOX GS68.....73
 WLDMT,CHASSIS LINK PVT,33/4069.....93, 97
 WLDMT,EXT DECK HANDLE.....109
 WLDMT,LINK,OUTER,#2.....89, 91, 95
 WLDT,BOX DOOR,ENG,LT,GS68.....83

Z

ZERK,GREASE,1/8 NPT.....135

Fitting Cross References

Genie PN	Parker PN	Description	Genie PN	Parker PN	Description
12342	6-4 F5OX-S	CONNECTOR, STRAIGHT THREAD TO FLARE TUBE	42794	1 CR-S	ELBOW, 90°, MALE PIPE
13757	4 R6X-S	RUN TEE, SWIVEL NUT, ORFS	42795	BV-0839	BALL VALVE
19685	12-10 C5OX-S	ELBOW, 90°, STRAIGHT THREAD TO FLARE TUBE	42796	BV-0838	BALL VALVE
22664	12-10 C5OX	ELBOW, 90°, STRAIGHT THREAD TO FLARE TUBE	42874	6-8 CLO-S	ELBOW, 90°, MALE PIPE TO ORFS
27431	8-12 F5OX-S	CONNECTOR, STRAIGHT THREAD TO FLARE TUBE	42912	13943-6-4	HOSE END, 90° FEMALE SWIVEL, JIC
28678	AS-B-33	SLEEVE, NYLON, 1.81" ID	42920	BV-0840	BALL VALVE, 90°
39871	6 WETX-WLN-S	UNION, 90° BULKHEAD W/NUT, FLARE TUBE	42932	AS-B-17	SLEEVE, NYLON, 1.22" ID
39872	4 R5OX-S	RUN TEE, STRAIGHT THREAD	42936	10243-2-4	HOSE END, FEMALE PIPE
39873	6 C5OX-S	ELBOW, 90°, STRAIGHT THREAD TO FLARE TUBE	42953	1/2 DD-S	ELBOW, 90°, FEMALE PIPE
39874	8-6 C5OX-S	ELBOW, 90°, STRAIGHT THREAD TO FLARE TUBE	42956	6 WELO-WLNL-S	UNION, 90° BULKHEAD W/NUT, ORFS
39875	4-6 C5OX-S	ELBOW, 90°, STRAIGHT THREAD TO FLARE TUBE	45349	8 V5OX-S	ELBOW, 45°, STRAIGHT THREAD TO FLARE TUBE
39876	6-8 C5OX-S	ELBOW, 90°, STRAIGHT THREAD TO FLARE TUBE	45351	4 V5OX-S	ELBOW, 45°, STRAIGHT THREAD TO FLARE TUBE
39877	4 F5OX-S	CONNECTOR, STRAIGHT THREAD TO FLARE TUBE	47223	10343-6-6	HOSE END, MALE, JIC
39878	6 F5OX-S	CONNECTOR, STRAIGHT THREAD TO FLARE TUBE	47419	PS690503-6-6	SWIVEL, 90° STRAIGHT THREAD TO 37° FLARE
39879	4-8 F5OX-S	CONNECTOR, STRAIGHT THREAD TO FLARE TUBE	48750	421-4	HOSE, 1/4 INCH ID
39880	6-10 F5OX-S	CONNECTOR, STRAIGHT THREAD TO FLARE TUBE	48751	481TC-4	HOSE, 1/4 INCH ID
39881	4-6 F5OX-S	CONNECTOR, STRAIGHT THREAD TO FLARE TUBE	48752	482TC-4	HOSE, 1/4 INCH ID
39882	4-HP5ON-S	PLUG, STRAIGHT THREAD	48753	451TC-6	HOSE, 3/8 INCH ID
39883	8-8 FTX-S	CONNECTOR, MALE PIPE TO FLARE TUBE	48754	482TC-6	HOSE, 3/8 INCH ID
39885	269HB 12-12	ELBOW, 90°, BEADED HOSE BARB TO MALE PIPE	48755	381-6	HOSE, 3/8 INCH ID
39886	431-6	HOSE, 3/8 INCH ID	48756	451TC-8	HOSE, 1/2 INCH ID
39887	540N-2	HOSE, 1/8 INCH ID	48757	482TC-8	HOSE, 1/2 INCH ID
39888	801-8	HOSE, 1/2 INCH ID	48758	381-8	HOSE, 1/2 INCH ID
39889	801-12	HOSE, 3/4 INCH ID	48759	381-10	HOSE, 5/8 INCH ID
39890	10643-6-6	HOSE END, FEMALE SWIVEL, JIC	48760	451TC-10	HOSE, 5/8 INCH ID
39891	13943-6-6	HOSE END, 90° FEMALE SWIVEL, JIC	48761	482TC-12	HOSE, 3/4 INCH ID
39892	13743-6-6	HOSE END, 45° FEMALE SWIVEL, JIC	48762	451TC-12	HOSE, 3/4 INCH ID
39894	30682-8-8	HOSE END, FEMALE SWIVEL, JIC	48763	772-12	HOSE, 3/4 INCH ID
39895	30682-10-12	HOSE END, FEMALE SWIVEL, JIC	48764	881-16	HOSE, 1 INCH ID
42286	8-8 CTX-S	ELBOW, 90°, MALE PIPE TO FLARE TUBE	48765	772-16	HOSE, 1 INCH ID
42756	8-12 CLO-S	ELBOW, 90°, MALE PIPE TO ORFS	48766	AS-B-15	SLEEVE, NYLON, 1.06" ID
42757	8-12 FLO-S	CONNECTOR, MALE PIPE TO ORFS	48767	AS-B-22	SLEEVE, NYLON, 1.42" ID
42758	4 JLO-S	UNION TEE, ORFS	48770	881-8	HOSE, 1/2 INCH ID
42759	4-4 FLO-S	CONNECTOR, MALE PIPE TO ORFS			
42760	6-8 FLO-S	CONNECTOR, MALE PIPE TO ORFS			
42761	1J143-6-4	HOSE END, 90° FEMALE SWIVEL, SEAL LOK			
42762	1J743-6-4	HOSE END, 45° FEMALE SWIVEL, SEAL LOK			
42768	1JO43-4-4	HOSE END, MALE, SEAL LOK			
42776	801-8	HOSE, 1/2 INCH ID			
42777	1J743-16-16	HOSE END, 45° FEMALE SWIVEL, SEAL LOK			
42786	16 CLO-S	ELBOW, 90°, MALE PIPE TO ORFS			
42787	16 R6LO-S	RUN TEE, SWIVEL NUT, ORFS			
42788	16-8 TRLO-BL-S	REDUCER, TUBE END TO SWIVEL, ORFS			
42789	6-8 CLO-S	ELBOW, 90°, MALE PIPE TO ORFS			
42790	8-10 V5OLO-S	ELBOW, 45°, STRAIGHT THREAD TO ORFS			
42791	3/4 CD-S	ELBOW, 90°, MALE TO FEMALE PIPE			
42792	3/4 X 1/2 PTR-S	REDUCER, MALE TO FEMALE PIPE			
42793	1/2 CR-S	ELBOW, 90°, MALE PIPE			

Fitting Cross References (Continued)

Genie PN	Parker PN	Description
48771	881-10	HOSE,5/8 INCH ID
48772	381-4	HOSE,1/4 INCH ID
48773	AS-B-13	SLEEVE,NYLON,.86" ID
48800	1JC43-4-4	HOSE END,FEMALE SWIVEL,SEAL LOK
48801	1J743-4-4	HOSE END,45° FEMALE SWIVEL,SEAL LOK
48802	1J943-4-4	HOSE END,90° FEMALE SWIVEL,SEAL LOK
48804	1JM43-4-4	HOSE END,MALE,SEAL LOK, NO O-RING
48805	10643-4-4	HOSE END,FEMALE SWIVEL,JIC
48806	13943-4-4	HOSE END,90° FEMALE SWIVEL,JIC
48807	1JS43-4-4	HOSE END,FEMALE SWIVEL,SEAL LOK
48808	3JC82-8-8	HOSE END,FEMALE SWIVEL,SEAL LOK
48809	3JC82-12-12	HOSE END,FEMALE SWIVEL,SEAL LOK
48810	1JC43-8-4	HOSE END,FEMALE SWIVEL,SEAL LOK
48811	1J943-8-4	HOSE END,90° FEMALE SWIVEL,SEAL LOK
48812	1JC43-8-6	HOSE END,FEMALE SWIVEL,SEAL LOK
48813	1J143-8-6	HOSE END,90° FEMALE SWIVEL,SEAL LOK
48814	1J543-8-6	HOSE END,90° FEMALE SWIVEL,SEAL LOK
48815	1J743-8-6	HOSE END,45° FEMALE SWIVEL,SEAL LOK
48816	1J943-8-6	HOSE END,90° FEMALE SWIVEL,SEAL LOK
48817	1JS43-8-8	HOSE END,FEMALE SWIVEL,SEAL LOK
48818	1J943-8-4	HOSE END,90° FEMALE SWIVEL,SEAL LOK
48819	1JC43-8-8	HOSE END,FEMALE SWIVEL,SEAL LOK
48820	1J743-8-6	HOSE END,45° FEMALE SWIVEL,SEAL LOK
48821	1J943-8-6	HOSE END,90° FEMALE SWIVEL,SEAL LOK
48822	1JC43-8-8	HOSE END,FEMALE SWIVEL,SEAL LOK
48823	1JS43-8-8	HOSE END,FEMALE SWIVEL,SEAL LOK
48824	1J143-8-8	HOSE END,90° FEMALE SWIVEL,SEAL LOK
48825	1J543-8-8	HOSE END,90° FEMALE SWIVEL,SEAL LOK
48826	1J743-8-8	HOSE END,45° FEMALE SWIVEL,SEAL LOK
48827	1J943-8-8	HOSE END,90° FEMALE SWIVEL,SEAL LOK
48828	1JC43-10-8	HOSE END,FEMALE SWIVEL,SEAL LOK
48829	1JS43-10-8	HOSE END,FEMALE SWIVEL,SEAL LOK
48830	1J743-10-8	HOSE END,45° FEMALE SWIVEL,SEAL LOK
48831	1J943-10-8	HOSE END,90° FEMALE SWIVEL,SEAL LOK
48833	1JC43-10-10	HOSE END,FEMALE SWIVEL,SEAL LOK
48834	1J943-10-10	HOSE END,90° FEMALE SWIVEL,SEAL LOK
48835	1JS43-10-12	HOSE END,FEMALE SWIVEL,SEAL LOK
48836	1JC43-12-8	HOSE END,FEMALE SWIVEL,SEAL LOK
48837	1JS43-12-8	HOSE END,FEMALE SWIVEL,SEAL LOK
48838	1J743-12-8	HOSE END,45° FEMALE SWIVEL,SEAL LOK
48839	1J943-12-8	HOSE END,90° FEMALE SWIVEL,SEAL LOK
48840	1J943-12-10	HOSE END,90° FEMALE SWIVEL,SEAL LOK
48841	1JC43-12-12	HOSE END,FEMALE SWIVEL,SEAL LOK
48842	1JO43-12-12	HOSE END,MALE,SEAL LOK
48843	1J143-12-12	HOSE END,90° FEMALE SWIVEL,SEAL LOK
48844	1J543-12-12	HOSE END,90° FEMALE SWIVEL,SEAL LOK
48845	1J743-12-12	HOSE END,45° FEMALE SWIVEL,SEAL LOK
48846	1J943-12-12	HOSE END,90° FEMALE SWIVEL,SEAL LOK

Genie PN	Parker PN	Description
48847	13943-12-12	HOSE END,90° FEMALE SWIVEL,JIC
48848	10543-12-12	HOSE END,MALE,STRAIGHT THREAD
48849	1JC71-12-12	HOSE END,FEMALE SWIVEL,SEAL LOK
48850	1JS71-12-12	HOSE END,FEMALE SWIVEL,SEAL LOK
48851	1J171-12-12	HOSE END,90° FEMALE SWIVEL,SEAL LOK
48852	1J771-12-12	HOSE END,45° FEMALE SWIVEL,SEAL LOK
48853	1J971-12-12	HOSE END,90° FEMALE SWIVEL,SEAL LOK
48854	1JC43-16-16	HOSE END,FEMALE SWIVEL,SEAL LOK
48855	1J943-16-16	HOSE END,90° FEMALE SWIVEL,SEAL LOK
48856	1J171-16-16	HOSE END,90° FEMALE SWIVEL,SEAL LOK
48857	1J971-16-16	HOSE END,90° FEMALE SWIVEL,SEAL LOK
48859	1JS43-8-4	HOSE END,FEMALE SWIVEL,SEAL LOK
48867	PD36BTL	DIAGNOSTIC NIPPLE,SEAL-LOK SWIVEL
48873	6 PNLO-S	PLUG,TUBE END,ORFS
48874	6 PNTX-S	PLUG,FLARE TUBE
48875	6 R6LO-S	RUN TEE,SWIVEL NUT,ORFS
48877	4 F5OLO-SW.025	CONNECTOR,STRAIGHT THREAD TO ORFS, W/.025 ORI
48878	16-12 C5OLO-S	ELBOW,90°,STRAIGHT THREAD TO ORFS
48879	8 C6LO-S	ELBOW,90°,SWIVEL NUT ORFS
48880	PD6-285	CAP,DIAGNOSTIC NIPPLE
48881	8 HLO-S	UNION,ORFS
48883	8 P5ON-S	PLUG,STRAIGHT THREAD
48884	8M18F87OMLO-S	CONNECTOR,METRIC,STRAIGHT THREAD TO ORFS
48885	4 WGTX-WLN-S	CONNECTOR,BULKHEAD,FEMALE PIPE TO FLARE TUBE
48886	4 F5OLO-SW/2MM	CONNECTOR,MACHINED STRAIGHT THREAD TO ORFS
48887	4 CTX-S	ELBOW,90°,MALE PIPE TO FLARE TUBE
48888	10-12 V5OLO-S	ELBOW,45°,STRAIGHT THREAD TO ORFS
48890	4 S5OLO-S	BRANCH TEE,STRAIGHT THREAD TO ORFS
48891	4 S6LO-S	BRANCH TEE,SWIVEL NUT TO ORFS

Fitting Cross References (Continued)

Genie PN	Parker PN	Description	Genie PN	Parker PN	Description
48892	6 C6LO-S	ELBOW,90°,SWIVEL NUT ORFS	48938	8 R6LO-S	RUN TEE,SWIVEL NUT,ORFS
48893	6 F5OHAO-S	UNION,STRAIGHT THREAD	48939	8 S6LO-S	BRANCH TEE,SWIVEL NUT TO ORFS
48894	8 WLO-WLNL-S	UNION,BULKHEAD,ORFS	48940	8 WJLO-WLNL-S	RUN TEE, BULKHEAD,ORFS
48895	DT-370-MSMO-5	VALVE,CHECK	48941	8-4 TRLO-S	REDUCER,TUBE END TO SWIVEL,ORFS
48896	8 JLO-S	UNION,TEE,ORFS	48942	8-6 C5OLO-S	ELBOW,90°,STRAIGHT THREAD TO ORFS
48897	DT-750-MSMS-5	VALVE,CHECK	48943	8-6 F5OLO-S	CONNECTOR,STRAIGHT THREAD TO ORFS
48898	DT-750-MOMS-5	VALVE,CHECK	48944	8-8 FLO-S	CONNECTOR,MALE PIPE TO ORFS
48899	DT-620-MOMS-5	VALVE,CHECK	48945	8 FTX-S	CONNECTOR,MALE PIPE TO FLARE TUBE
48900	4-6 F5OLO-SW/035	CONNECTOR,STRAIGHT THREAD TO ORFS, W/ 035 ORI	48946	8-10 F5OLO-S	CONNECTOR,STRAIGHT THREAD TO ORFS
48902	16-1 AOE4G-S	ELBOW,90° LONG,FEMALE PIPE TO STRAIGHT THREAD	48947	8-12 C5OLO-S	ELBOW,90°,STRAIGHT THREAD TO ORFS
48903	1 FF-S	NIPPLE,PIPE	48948	8-12 F5OLO-S	CONNECTOR,STRAIGHT THREAD TO ORFS
48904	4 C5OLO-S	ELBOW,90°,STRAIGHT THREAD TO ORFS	48949	8-16 F5OLO-S	CONNECTOR,STRAIGHT THREAD TO ORFS
48905	4 F5OLO-S	CONNECTOR,STRAIGHT THREAD TO ORFS	48950	10 C5OLO-S	ELBOW,90°,STRAIGHT THREAD TO ORFS
48906	4 R5OLO-S	RUN TEE,STRAIGHT THREAD	48951	10 CC5OLO-S	ELBOW,90° LONG,STRAIGHT THREAD TO ORFS
48907	4 V5OLO-S	ELBOW,45°,STRAIGHT THREAD TO ORFS	48952	10 F5OLO-S	CONNECTOR,STRAIGHT THREAD TO ORFS
48908	4 R6LO-S	RUN TEE,SWIVEL NUT,ORFS	48953	10 R5OLO-S	RUN TEE,STRAIGHT THREAD
48909	4 WJLO-WLNL-S	RUN TEE, BULKHEAD,ORFS	48954	10 S5OLO-S	BRANCH TEE,STRAIGHT THREAD TO ORFS
48910	4 GTX-S W/ 030	CONNECTOR,FEMALE PIPE TO FLARE TUBE	48955	10 R6LO-S	RUN TEE,SWIVEL NUT,ORFS
48911	4-6 C5OLO-S	ELBOW,90°,STRAIGHT THREAD TO ORFS	48956	10-4 TRLO-BL-S	REDUCER,TUBE END TO SWIVEL,ORFS
48912	4-6 F5OLO-S	CONNECTOR,STRAIGHT THREAD TO ORFS	48957	10-6 TRLO-BL-S	REDUCER,TUBE END TO SWIVEL,ORFS
48913	4-6 F5OLO-SW/030	CONNECTOR,STRAIGHT THREAD TO ORFS, W/ 030 ORI	48958	10-12 F5OLO-S	CONNECTOR,STRAIGHT THREAD TO ORFS
48914	4-8 F5OLO-S	CONNECTOR,STRAIGHT THREAD TO ORFS	48959	12 C5OLO-S	ELBOW,90°,STRAIGHT THREAD TO ORFS
48915	8 C5OLO-S	ELBOW,90°,STRAIGHT THREAD TO ORFS	48960	12 F5OLO-S	CONNECTOR,STRAIGHT THREAD TO ORFS
48916	6 F5OLO-S	CONNECTOR,STRAIGHT THREAD TO ORFS	48961	12 R5OLO-S	RUN TEE,STRAIGHT THREAD
48917	6 FF5OLO-S	CONNECTOR,LONG,STRAIGHT THREAD TO ORFS	48962	12 S5OLO-S	BRANCH TEE,STRAIGHT THREAD TO ORFS
48918	8 R5OLO-S	RUN TEE,STRAIGHT THREAD	48963	12 V5OLO-S	ELBOW,45°,STRAIGHT THREAD TO ORFS
48919	6 S5OLO-S	BRANCH TEE,STRAIGHT THREAD TO ORFS	48964	12 R6LO-S	RUN TEE,SWIVEL NUT,ORFS
48920	8 V5OLO-S	ELBOW,45°,STRAIGHT THREAD TO ORFS	48965	12 CLO-S	ELBOW,90°,MALE PIPE TO ORFS
48921	6 FLO-S	CONNECTOR,MALE PIPE TO ORFS	48966	12 FLO-S	CONNECTOR,MALE PIPE TO ORFS
48922	8-6 FLO-S	CONNECTOR,MALE PIPE TO ORFS	48967	12 JLO-S	UNION TEE,ORFS
48923	8 P5ON-S	PLUG,STRAIGHT THREAD	48968	12 WLO-WLNL-S	UNION,BULKHEAD,ORFS
48925	6 WELO-S	UNION,90° BULKHEAD,ORFS	48969	12 WJLO-WLNL-S	RUN TEE, BULKHEAD,ORFS
48926	6-4 C5OLO-S	ELBOW,90°,STRAIGHT THREAD TO ORFS	48970	12 WELO-WLNL-S	UNION,90° BULKHEAD W/NUT,ORFS
48927	6-4 F5OLO-S	CONNECTOR,STRAIGHT THREAD TO ORFS			
48928	8-4 V5OLO-S	ELBOW,45°,STRAIGHT THREAD TO ORFS			
48929	6-8 C5OLO-S	ELBOW,90°,STRAIGHT THREAD TO ORFS			
48930	6-8 F5OLO-S	CONNECTOR,STRAIGHT THREAD TO ORFS			
48931	8-10 F5OLO-S	CONNECTOR,STRAIGHT THREAD TO ORFS			
48932	8 C5OLO-S	ELBOW,90°,STRAIGHT THREAD TO ORFS			
48933	8 F5OLO-S	CONNECTOR,STRAIGHT THREAD TO ORFS			
48934	8 FF5OLO-S	CONNECTOR,LONG,STRAIGHT THREAD TO ORFS			
48935	8 R5OLO-S	RUN TEE,STRAIGHT THREAD			
48936	8 S5OLO-S	BRANCH TEE,STRAIGHT THREAD TO ORFS			
48937	8 V5OLO-S	ELBOW,45°,STRAIGHT THREAD TO ORFS			

Fitting Cross References (Continued)

Genie PN	Parker PN	Description	Genie PN	Parker PN	Description
48971	12 G5G5JG5-S	TEE,FEMALE STRAIGHT THREAD	49612	PKT02586	O-RING KIT (ORFS FITTINGS)
48972	12 XHL6-S	ADAPTER, 37° MALE TO SWIVEL ORFS	49613	PKT06276	PLUG AND CAP KIT-SERVICE,ORFS
48973	12-1/2 F5OG-S	ADAPTER,FEMALE PIPE TO STRAIGHT THREAD	49728	10143-12-12	HOSE END, MALE PIPE
48974	12-10 C5OLO-S	ELBOW,90°,STRAIGHT THREAD TO ORFS	49729	16-1 F5OG-S	ADAPTER,FEMALE PIPE TO STRAIGHT THREAD
48975	12-10 F5OLO-S	CONNECTOR,STRAIGHT THREAD TO ORFS	49814	12-8 FLO-S	CONNECTOR,MALE PIPE TO ORFS
48976	12-16 C5OLO-S	ELBOW,90°,STRAIGHT THREAD TO ORFS	49829	DT-500-MOMF-5	VALVE,CHECK
48977	12-16 F5OLO-S	CONNECTOR,STRAIGHT THREAD TO ORFS	49831	881-12	HOSE,3/4 INCH ID
48978	12-16 V5OLO-S	ELBOW,45°,STRAIGHT THREAD TO ORFS	49834	16 JLO-S	UNION TEE,ORFS
48980	12-16 FLO-S	CONNECTOR,MALE PIPE TO ORFS	49838	12-8 TRLO-BL-S	REDUCER,TUBE END TO SWIVEL,ORFS
48983	16 C5OLO-S	ELBOW,90°,STRAIGHT THREAD TO ORFS	49840	8 JLO-S	UNION TEE,ORFS
48984	16 F5OLO-S	CONNECTOR,STRAIGHT THREAD TO ORFS	49844	10-8 TRLO-BL-S	REDUCER,TUBE END TO SWIVEL,ORFS
48985	16 V5OLO-S	ELBOW,45°,STRAIGHT THREAD TO ORFS	49854	8 P5ON-S	PLUG,STRAIGHT THREAD
48986	16 FLO-S	CONNECTOR,MALE PIPE TO ORFS	49855	1JC43-16-12	HOSE END,FEMALE SWIVEL,SEAL LOK
48988	16 CD45-S	ELBOW,45°,MALE TO FEMALE PIPE	49859	4 P5ON-S	PLUG,STRAIGHT THREAD
48989	12 CD45-S	ELBOW,45°,MALE TO FEMALE PIPE	49861	4 FF5OLO-S	CONNECTOR,LONG,STRAIGHT THREAD TO ORFS
48990	8 CD45-S	ELBOW,45°,MALE TO FEMALE PIPE	49867	12-3/4 F5OG-S	ADAPTER,FEMALE PIPE TO STRAIGHT THREAD
48991	16-12 FLO-S	CONNECTOR,MALE PIPE TO ORFS	51152	6 R6X-S	RUN TEE,SWIVEL NUT,ORFS
48992	16-12 V5OLO-S	ELBOW,45°,STRAIGHT THREAD TO ORFS	51153	6-4 TRTX-S	REDUCER,TUBE END TO SWIVEL,ORFS
48993	XV501-12	BALL VALVE	51154	4-4 GTX	CONNECTOR,FEMALE PIPE TO FLARE TUBE
48994	XV501-16	BALL VALVE	51264	881-12	HOSE,3/4 INCH ID
48995	XV510P-12	BALL VALVE	51265	8 JLO-S	UNION TEE,ORFS
48996	XV510P-16	BALL VALVE	51508	6 BTX-S	NUT,FLARE TUBE
48997	PD341	DIAGNOSTIC NIPPLE, STRAIGHT THREAD	51580	12-8 TRLO-BL-S	TUBE END REDUCER,ORFS
48998	PD 361	DIAGNOSTIC NIPPLE, STRAIGHT THREAD	51628	6 R6X-S	RUN TEE,SWIVEL NUT,ORFS
48999	DT-500-MOMS-5	VALVE,CHECK	51735	3/8 HHP	PLUG,PIPE THREAD
49201	10 V5OLO-S	ELBOW,45°,STRAIGHT THREAD TO ORFS	51803	1J943-6-8	HOSE END,90° FEMALE SWIVEL,SEAL LOK
49202	1JC43-12-10	HOSE END,FEMALE SWIVEL,SEAL LOK	53023	125HBL-5-4	FITTING,HOSE BARB TO MALE PIPE
49203	10-8 V5OLO-S	ELBOW,45°,STRAIGHT THREAD TO ORFS	53497	PKT02585	O-RING KIT
49205	6 F5OHAO-S	UNION,STRAIGHT THREAD	53499	1JC71-16-16	HOSE END,FEMALE SWIVEL,SEAL LOK
49207	PD34BTL	DIAGNOSTIC NIPPLE,SEAL-LOK SWIVEL	53500	3-904	O-RING,STRAIGHT THREAD,-4
49209	8M18F870MX-S	CONNECTOR,METRIC,STRAIGHT THREAD TO FLARE TUBE	53501	3-908	O-RING,STRAIGHT THREAD,-6
49212	8 WGTX-WLN-S	CONNECTOR,BULKHEAD,FEMALE PIPE TO FLARE TUBE	53502	3-908	O-RING,STRAIGHT THREAD,-8
49213	30682-8-8	HOSE END,FEMALE SWIVEL,JIC	53503	3-910	O-RING,STRAIGHT THREAD,-10
49216	831-8	HOSE,1/2 INCH ID			
49217	33982-8-8	HOSE END,90° FEMALE SWIVEL,JIC			
49219	PS-B-35	SLEEVE,NYLON,2.19" ID			
49418	4-8 V5OLO-S	ELBOW,45°,STRAIGHT THREAD TO ORFS			
49511	DT370-MOMS-5	VALVE,CHECK			
49512	1 DD-S	ELBOW,90°,FEMALE PIPE			
49513	1 FF-S	NIPPLE,PIPE			
49514	10 HP5ON-S	PLUG,STRAIGHT THREAD			
49515	12-16 CLO-S	ELBOW,90°,MALE PIPE TO ORFS			
49517	8 HP5ON-S	PLUG,STRAIGHT THREAD			
49519	16-12 F5OLO-S	CONNECTOR,STRAIGHT THREAD TO ORFS			
49520	4 VTX-S	ELBOW,45°,MALE PIPE TO FLARE TUBE			
49530	16 C8LO-S	ELBOW,90°,SWIVEL NUT ORFS			

Fitting Cross References (Continued)

Genie PN	Parker PN	Description	Genie PN	Parker PN	Description
53535	3-912	O-RING, STRAIGHT THREAD, -12	61083	24 F5OLO-S	CONNECTOR, STRAIGHT THREAD TO ORFS
53536	4-PNLO-S	PLUG, TUBE END, ORFS	61086	20 R5OLO-S	RUN TEE, STRAIGHT THREAD
53537	6 PNLO-S	PLUG, TUBE END, ORFS	61090	24-20 F5OLO-S	CONNECTOR, STRAIGHT THREAD TO ORFS
53538	8 PNLO-S	PLUG, TUBE END, ORFS	61091	1J943 24-24	HOSE END, 90° FEMALE SWIVEL, SEAL LOK
53539	10 PNLO-S	PLUG, TUBE END, ORFS	61093	1J978-12-12	HOSE END, 90° FEMALE SWIVEL, JIC
53540	12 PNLO-S	PLUG, TUBE END, ORFS	61095	1JS43-20-16	HOSE END, FEMALE SWIVEL, SEAL LOK
53946	129HB-5-4	FITTING, 90° HOSE BARB TO MALE PIPE	61100	811-24	HOSE, 1 1/2 INCH ID
53951	8-1/4F5OG-S	ADAPTER, FEMALE PIPE TO STRAIGHT THREAD	61130	1JS43-24-24	HOSE END, FEMALE SWIVEL, SEAL LOK
53980	6 S6LO-S	BRANCH TEE, SWIVEL NUT TO ORFS	61131	1JS78 12-12	HOSE END, FEMALE SWIVEL, SEAL LOK
54132	4 C6LO-S	ELBOW, 90°, SWIVEL NUT ORFS	61132	1J778-12-12	HOSE END, 45° FEMALE SWIVEL, JIC
54135	11343-16-16	HOSE END, MALE SWIVEL, PIPE	61152	139HB-6-4	ELBOW, 45°, BARB TO MALE PIPE
54283	8-10 C5OLO-S	ELBOW, 90°, STRAIGHT THREAD TO ORFS	61251	BV-0750	BALL VALVE
54428	8M18C870MLO-S	ELBOW, 90° METRIC, STRAIGHT THREAD TO ORFS	61259	4 CC5OLO-S	ELBOW, 90° LONG, STRAIGHT THREAD TO ORFS
54803	FS-F-16-10	SLEEVE, FIRE, .96" ID	61260	20-12 TRLO-BL	REDUCER, TUBE END TO SWIVEL, ORFS
54954	10143-2-4	HOSE END, MALE PIPE	61262	12 C6LO-S	ELBOW, 90°, SWIVEL NUT ORFS
55190	3/8 HP-S	PLUG, PIPE THREAD	61263	20 F5OHAO-S	UNION, STRAIGHT THREAD
55448	8 HLO-S	UNION, ORFS	61264	8-10 C5OLO-S	ELBOW, 90°, STRAIGHT THREAD TO ORFS
55839	6 F65OX-S	CONNECTOR, STRAIGHT THREAD TO 37° SWIVEL	61265	6 WNLO-WLNL-S	UNION, BULKHEAD 45°, ORFS
55968	10 C5OX-S	ELBOW, 90°, STRAIGHT THREAD TO FLARE TUBE	61268	4 WNLO-WLNL-S	UNION, BULKHEAD 45°, ORFS
56003	6 CC5OLO-S	ELBOW, 90° LONG, STRAIGHT THREAD TO ORFS	61269	4 WLO-WLNL-S	UNION, BULKHEAD, ORFS
56166	BV-0837	BALL VALVE, 90°	61272	12 AOEL6	ELBOW, 90°, STRAIGHT THREAD TO ORFS SWIVEL
56188	10143-8-8	HOSE END, MALE PIPE	61316	482TC-16	HOSE, 1 INCH ID
56233	2-011	O-RING, ORFS, -4	61321	6 JLO-S	UNION TEE, ORFS
56234	2-012	O-RING, ORFS, -6	61327	782-12	HOSE, 3/4 INCH ID
56235	2-014	O-RING, ORFS, -8	61328	881-24	HOSE, 1 1/2 INCH ID
56236	2-016	O-RING, ORFS, -10	61336	11943-20-24	HOSE END, 90° FLANGE HEAD
56237	2-018	O-RING, ORFS, -12	61345	12 WJLO-WLNL-S	RUN TEE, BULKHEAD, ORFS
56238	2-021	O-RING, ORFS, -16	61346	8 WNLO-WLNL-S 4	UNION, BULKHEAD 45°, ORFS
56352	6 WLNL-S	LOCKNUT, BULKHEAD	61569	33782-8-8	HOSE END, 45° FEMALE SWIVEL, JIC
56353	3J782-12-12	HOSE END, 45° FEMALE SWIVEL, SEAL LOK	61610	12 FF5OLO-S	CONNECTOR, LONG, STRAIGHT THREAD TO ORFS
56354	3J982-12-12	HOSE END, 90° FEMALE SWIVEL, SEAL LOK	61742	1/8 X 1.5 FFF	NIPPLE, PIPE
56604	10-8 F5OLO-S	CONNECTOR, STRAIGHT THREAD TO ORFS	63426	8 PNTX-S	PLUG, FLARE TUBE
56639	3JC82-10-10	HOSE END, FEMALE SWIVEL, SEAL LOK			
56640	3J982-10-10	HOSE END, 90° FEMALE SWIVEL, SEAL LOK			
56655	3JC82-8-10	HOSE END, FEMALE SWIVEL, SEAL LOK			
56676	10-8 C5OLO-S	ELBOW, 90°, STRAIGHT THREAD TO ORFS			
56776	471TC-6	HOSE, 3/8 INCH ID			
56777	471TC-8	HOSE, 1/2 INCH ID			
56789	811-16	HOSE, 1 INCH ID			
57884	3/8 FF	NIPPLE, PIPE			
59335	8 FNL-S	CAP, TUBE END			
59342	4 FNL-S	CAP, TUBE END			
59371	8 HP5ON-S	PLUG, STRAIGHT THREAD			
60653	BV-0751	BALL VALVE			
60806	125HB-3-4	FITTING, HOSE BARB TO MALE PIPE			
61064	5-1/4 F5OG-S	ADAPTER, FEMALE PIPE TO STRAIGHT THREAD			
61079	4 WELO-WLNL-S	UNION, 90° BULKHEAD W/NUT, ORFS			
61080	6 WLO-WLNL-S	UNION, BULKHEAD, ORFS			

Fitting Cross References (Continued)

Genie PN	Parker PN	Description
64271	4 WLO-WLNL-S	UNION,BULKHEAD,ORFS
64272	6 WLO-WLNL-S	UNION,BULKHEAD,ORFS
65776	8 F65OL-S	CONNECTOR,STRAIGHT THREAD TO ORFS SWIVEL
65880	6001012	O-RING KIT
66154	6 WTX-WLNS	UNION,BULKHEAD,FLARE TUBE
66155	6 WETX-S	UNION,BULKHEAD 90°,FLARE TUBE
66156	6 WLN-S	BULKHEAD LOCKNUT
66389	6-8 F5OX-S	CONNECTOR,STRAIGHT THREAD TO FLARE TUBE
66392	6 R5OX-S	RUN TEE,STRAIGHT THREAD
66396	811-12	HOSE,3/4 INCH ID
66829	H3174PP	CLAMP,TUBE
67217	4 KLO-S	UNION,CROSS,ORFS
67339	10-6 F5OX-S	CONNECTOR,STRAIGHT THREAD TO FLARE TUBE
67357	13843-8-8	HOSE END,90° FEMALE SWIVEL,JIC
67358	10 HP5ON-S	PLUG,STRAIGHT THREAD
67371	12 S8LO-S	BRANCH TEE,SWIVEL NUT TO ORFS
67498	4 FNL-S	CAP, TUBE END
67906	DC-370-F0F0-5	VALVE,CHECK
69316	8 FLO-S	CONNECTOR,MALE PIPE TO ORFS
69333	H3174PP	CLAMP,HYDRAULIC HOSE
69503	4 F65OX-S	CONNECTOR,STRAIGHT THREAD TO 37° SWIVEL
69775	8 FNL-S	CAP, TUBE END
71038	1/4X1/4F3HG-S	ADAPTER,CONVERSION
71196	12-8 F5OLO-S	CONNECTOR,STRAIGHT THREAD TO ORFS
71383	1/4 CD45-S	ELBOW,45°,MALE TO FEMALE PIPE
72270	12FNL-S	CAP, TUBE END
73436	60C-4	SLEEVE,COMPRESSION
73437	61C-4	NUT,COMPRESSION
73438	33482-4-4B	HOSE END,PUSH LOK,MALE
73767	1CD-S	ELBOW,90°,MALE TO FEMALE PIPE
73768	20-16-F5OG5-S	ADAPTER,FEMALE PIPE TO STRAIGHT THREAD
73769	18-20 F5OLO-S	CONNECTOR,STRAIGHT THREAD TO ORFS
74660	6-8 F42EDMLO-S	CONNECTOR,MALE BSPP TO ORFS
74661	8-8 F42EDMLO-S	CONNECTOR,MALE BSPP TO ORFS
75007	4 FLO-S	CONNECTOR,MALE PIPE TO ORFS
75008	1/8 HP-S	PLUG,PIPE THREAD
75014	1/2 HP-S	PLUG,PIPE THREAD
75042	8 WELO-WLNL-S	UNION,90° BULKHEAD W/NUT,ORFS
75043	3/4 FF-S	NIPPLE,PIPE
75254	24 F5OHAO-S	UNION,STRAIGHT THREAD
75255	12 F5OHAO-S	UNION,STRAIGHT THREAD
75256	XV506P-24	BALL VALVE
75574	4 WLNL-S	BULKHEAD LOCKNUT
75612	8 WJLO-WLNL-S	RUN TEE, BULKHEAD,ORFS
75613	12-8 F5OG5-S	ADAPTER,FEMALE PIPE TO STRAIGHT THREAD
75614	8 CC5OLO-S	ELBOW,90° LONG,STRAIGHT THREAD TO ORFS
75628	1JB43-4-4	HOSE END,BULKHEAD,SEAL LOK

Genie PN	Parker PN	Description
75631	801-6	HOSE,3/8 INCH ID
75654	20 F5OLO-S	CONNECTOR,STRAIGHT THREAD TO ORFS
75655	1J843-20-20	HOSE END,90° FEMALE SWIVEL,SEAL LOK
75656	881-20	HOSE,1-1/4 INCH ID
75971	8 F5OHAO-S	UNION,STRAIGHT THREAD
77307	1JB43-8-8	HOSE END,BULKHEAD,SEAL LOK
77309	8 WLNL-S	BULKHEAD LOCKNUT
77379	8M18C87OMX-S	ELBOW,90° METRIC,STRAIGHT THREAD TO FLARE TUBE
77703	3J982-8-8	HOSE END,90° FEMALE SWIVEL,SEAL LOK
77711	801-10	HOSE,5/8 INCH ID
77758	12 WNLO-WLNL-S	UNION,BULKHEAD 45°,ORFS
78091	6 C6X-S	ELBOW,90°,SWIVEL NUT TO FLARE TUBE
78684	30582-8-8B	HOSE END,PUSH LOK,MALE
78852	549-2	HOSE,1/8 INCH ID
78855	10657-4-2	HOSE END,FEMALE SWIVEL,JIC
79138	PS-B-37	SLEEVE,NYLON,2.38" ID
79476	1JS43-6-8	HOSE END,FEMALE SWIVEL,SEAL LOK
79847	12-3/4 A0EG-S	ELBOW,90°,STRAIGHT THREAD TO FEMALE PIPE
80044	8 CLO-S	ELBOW,90°,MALE PIPE TO ORFS
80502	8 F5OX-S	CONNECTOR,STRAIGHT THREAD TO FLARE TUBE
80503	8 C5OX-S	ELBOW,90°,STRAIGHT THREAD TO FLARE TUBE
81010	AS-B-27	SLEEVE,NYLON,1.63" ID
83052	821-6	HOSE,3/8 INCH ID
83053	821-8	HOSE,1/2 INCH ID
83054	821-12	HOSE,3/4 INCH ID
83055	30682-6-6	HOSE END,FEMALE SWIVEL,JIC
83056	30682-12-12	HOSE END,FEMALE SWIVEL,JIC
83057	33782-6-6	HOSE END,45° FEMALE SWIVEL,JIC
83058	33982-6-6	HOSE END,90° FEMALE SWIVEL,JIC
83060	33982-12-12	HOSE END,90° FEMALE SWIVEL,JIC
83063	13743-4-4	HOSE END,45° FEMALE SWIVEL,JIC

Fitting Cross References (Continued)

Genie PN	Parker PN	Description	Genie PN	Parker PN	Description
83064	13743-8-8	HOSE END,45° FEMALE SWIVEL,JIC	89449	6 WJLO-WLNL-S	RUN TEE, BULKHEAD,ORFS
83065	13743-12-12	HOSE END,45° FEMALE SWIVEL,JIC	89489	4 WJMLO-S	BRANCH TEE,BULKHEAD,ORFS
83066	13943-8-8	HOSE END,90° FEMALE SWIVEL,JIC	89551	1JB43-6-6	HOSE END,BULKHEAD,SEAL LOK
83067	14143-6-6	HOSE END,90° FEMALE SWIVEL,JIC	89552	1JB43-8-8	HOSE END,BULKHEAD,SEAL LOK
83068	14143-8-8	HOSE END,90° FEMALE SWIVEL,JIC	89593	20 C5OLO-S	ELBOW,90°,STRAIGHT THREAD TO ORFS
83069	14143-12-12	HOSE END,90° FEMALE SWIVEL,JIC	94161	8-8 CLO-S	ELBOW,90°,MALE PIPE TO ORFS
83070	772-8	HOSE,1/2 INCH ID	94358	351TC-12	HOSE,3/4 INCH ID
83071	10671-8-8	HOSE END,FEMALE SWIVEL,JIC	94418	20 FLO-S	CONNECTOR,MALE PIPE TO ORFS
83072	10671-12-12	HOSE END,FEMALE SWIVEL,JIC	96358	12 TX-S	SLEEVE,FLARE TUBE
83073	13771-8-8	HOSE END,45° FEMALE SWIVEL,JIC	96359	12 BTX-S	NUT,FLARE TUBE
83074	13771-12-12	HOSE END,45° FEMALE SWIVEL,JIC	96397	8 F5OX-S	CONNECTOR,STRAIGHT THREAD TO FLARE TUBE
83075	13971-8-8	HOSE END,90° FEMALE SWIVEL,JIC	96398	12-8 F5OX-S	CONNECTOR,STRAIGHT THREAD TO FLARE TUBE
83076	13971-12-12	HOSE END,90° FEMALE SWIVEL,JIC	96402	10343-6-6	HOSE END,MALE,JIC
83077	14171-8-8	HOSE END,90° FEMALE SWIVEL,JIC	96407	30382-6-6B	HOSE END,MALE,JIC
83078	14171-12-12	HOSE END,90° FEMALE SWIVEL,JIC			
83080	13943-16-16	HOSE END,90° FEMALE SWIVEL,JIC			
83103	10671-16-12	HOSE END,FEMALE SWIVEL,JIC			
83104	10671-10-12	HOSE END,FEMALE SWIVEL,JIC			
83112	1JC71-8-8	HOSE END,FEMALE SWIVEL,SEAL LOK			
83113	1JS71-16-12	HOSE END,FEMALE SWIVEL,SEAL LOK			
83114	1JS71-10-12	HOSE END,FEMALE SWIVEL,SEAL LOK			
83115	1J971-8-8	HOSE END,90° FEMALE SWIVEL,SEAL LOK			
83116	1J171-8-8	HOSE END,90° FEMALE SWIVEL,SEAL LOK			
83117	1J771-8-8	HOSE END,45° FEMALE SWIVEL,SEAL LOK			
83127	1J543-6-6	HOSE END,90° FEMALE SWIVEL,JIC			
83128	1JC43-6-8	HOSE END,FEMALE SWIVEL,SEAL LOK			
87033	12-6 TRLO-S	REDUCER,TUBE END TO SWIVEL,ORFS			
87034	3J782-8-8	HOSE END,45° FEMALE SWIVEL,SEAL LOK			
87172	12 HP5ON-S	PLUG,STRAIGHT THREAD			
87185	8 WNLO-WLNL-S	UNION,BULKHEAD 45°,ORFS			
87246	4 C6X-S	ELBOW,90°,SWIVEL NUT TO FLARE TUBE			
87679	6 LHP-S	FLANGE SEAL FITTING, MALE			
87681	6PLS N0702	BONDED SEAL			
88100	SR88100	ADAPTER,OIL DRAIN,GM 3.0L			
88311	1JS43-20-20	HOSE END,FEMALE SWIVEL,SEAL LOK			
88353	20 V5OLO-S	ELBOW,45°,STRAIGHT THREAD TO ORFS			
88474	10081-20	Crimp Shell, 1.25"			
88475	1988-20-24	HOSE END,90° FLANGE HEAD			
88476	JS88-24-24	HOSE END,FEMALE SWIVEL,SEAL LOK			
88477	1JC88-20-20	HOSE END,FEMALE SWIVEL,SEAL LOK			
88478	811-20	HOSE,11/4 INCH ID			
88936	20-16 F5OLO-S	CONNECTOR,STRAIGHT THREAD TO ORFS			
88937	20-16 FLO-S	CONNECTOR,MALE PIPE TO ORFS			
88938	1JC88-16-16	HOSE END,FEMALE SWIVEL,SEAL LOK			
88939	1J888-16-16	HOSE END,90° FEMALE SWIVEL,ORFS			
88940	811-16	HOSE,1 INCH ID			
88944	1J888-20-20	HOSE END,90° FEMALE SWIVEL,ORFS			
89403	16 VLO-S	ELBOW,45°,MALE PIPE TO ORFS			

California Proposition 65

Warning

The exhaust from this product contains chemicals known to the State of California to cause cancer, birth defects or other reproductive harm.

Genie North America

Phone 425.881.1800
Toll Free USA and Canada
800.536.1800
Fax 425.883.3475

Genie Australia Pty Ltd.

Phone +61 7 3375 1660
Fax +61 7 3375 1002

Genie China

Phone +86 21 53852570
Fax +86 21 53852569

Genie Malaysia

Phone +65 98 480 775
Fax +65 67 533 544

Genie Japan

Phone +81 3 3453 6082
Fax +81 3 3453 6083

Genie Korea

Phone +82 25 587 267
Fax +82 25 583 910

Genie Brasil

Phone +55 11 41 665 755
Fax +55 11 41 665 754

Genie Holland

Phone +31 183 581 102
Fax +31 183 581 566

Genie Scandinavia

Phone +46 31 575100
Fax +46 31 579020

Genie France

Phone +33 (0)2 37 26 09 99
Fax +33 (0)2 37 26 09 98

Genie Iberica

Phone +34 93 579 5042
Fax +34 93 579 5059

Genie Germany

Phone +49 (0)4202 88520
Fax +49 (0)4202 8852-20

Genie U.K.

Phone +44 (0)1476 584333
Fax +44 (0)1476 584334

Genie Mexico City

Phone +52 55 5666 5242
Fax +52 55 5666 3241

Distributed By:

Parts Manual

GS-2669DC

GS-3369DC

from SN GS6912-1300

Part No.
237928

Rev B8

Genie
A TEREX BRAND