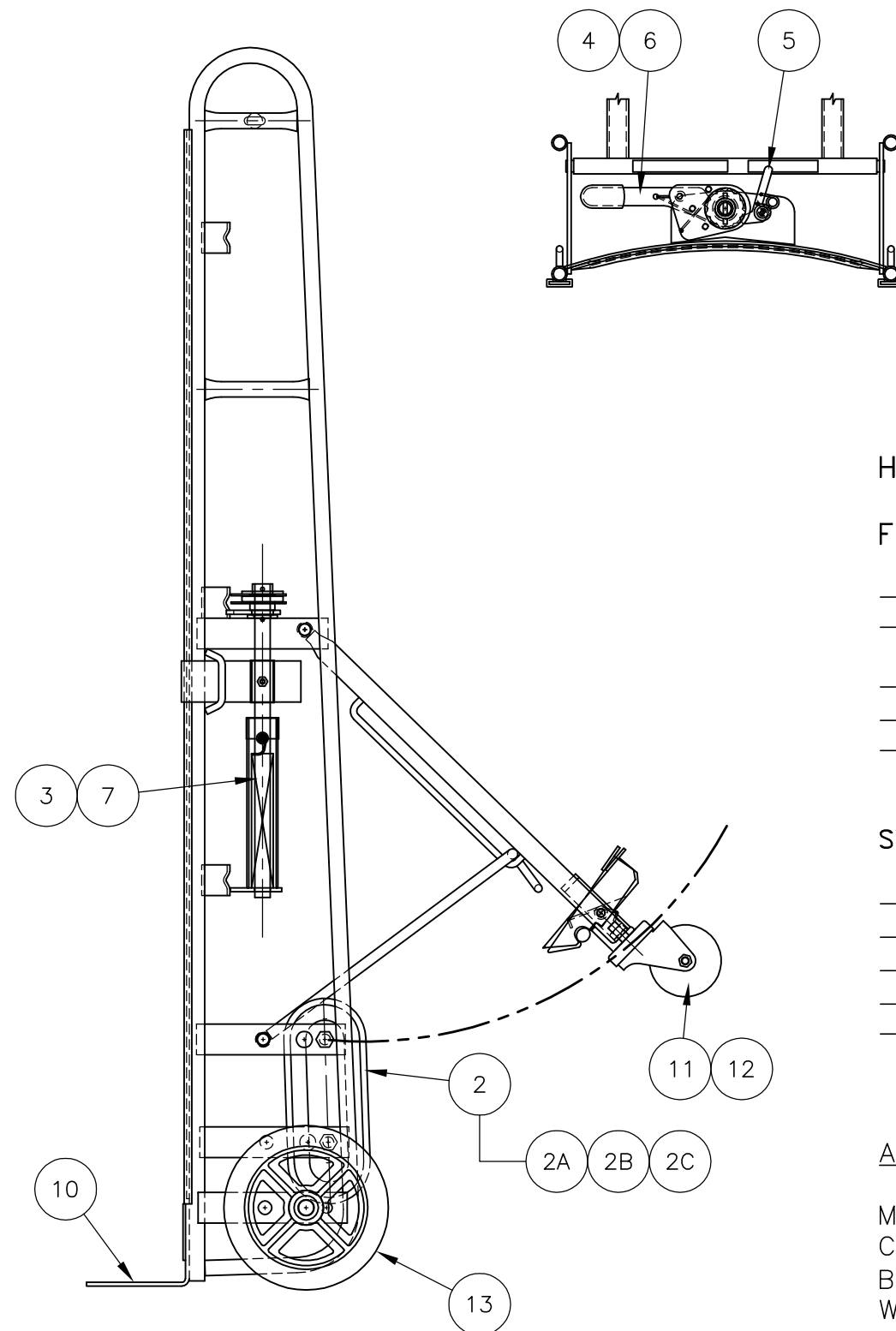
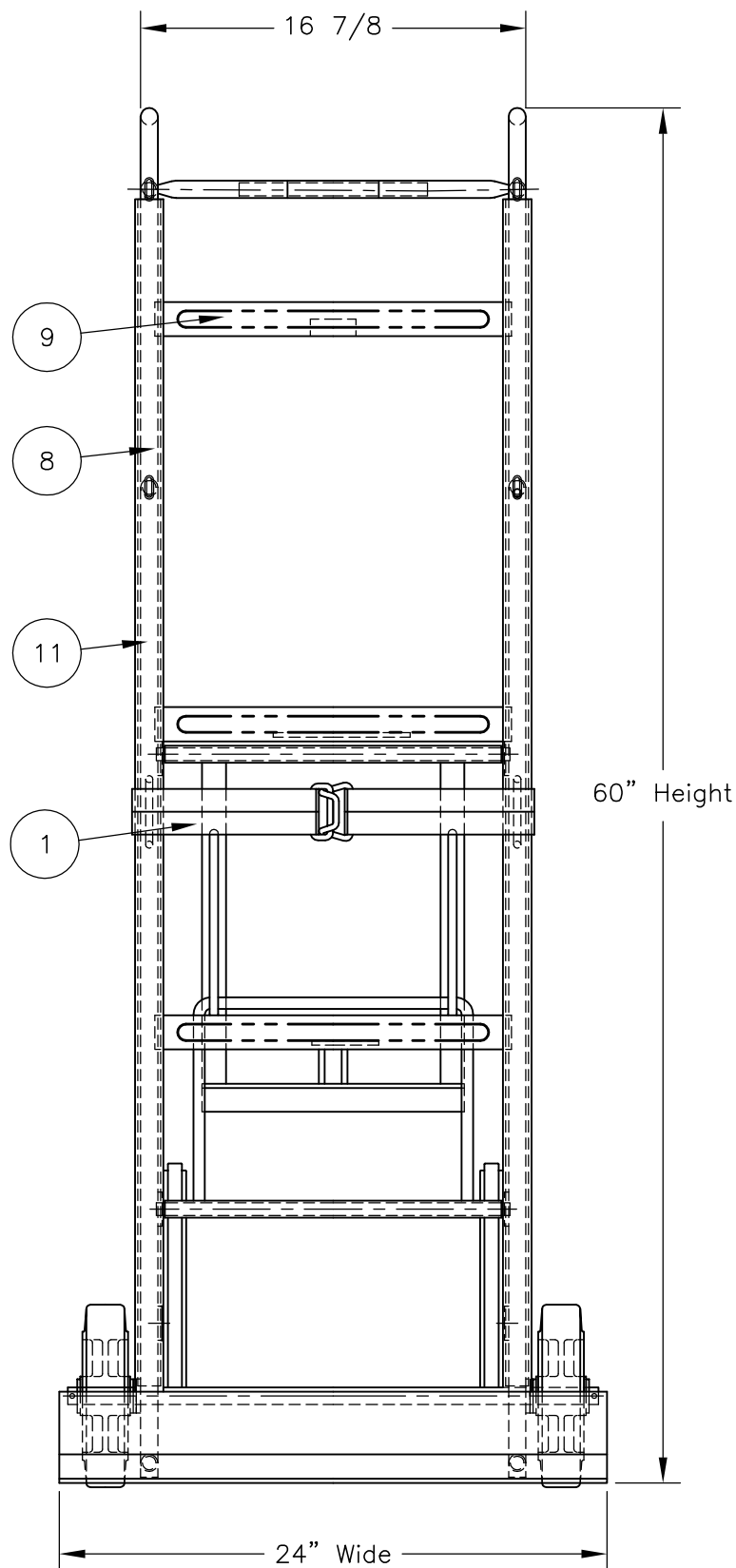


REPLACEMENT PARTS LIST

1		053120	BELT W/FRONT CLASP	1
2		150013	STAIR CLIMBER	2
	2A	108229	V-BELT	1
	2B	150014	SIDE PLATE	2
	2C	150017	BEARINGS	44
3		052910	RATCHET (AUTO-REWIND) WRV	1
4		052001	ASS'Y: RATCHET HANDLE	1
5		230050	ASS'Y: HOLDING DOG	1
6		151250	HANDLE SPRING	1
7		150921	SPRING: AUTO REWIND REPL'C	1
8		108453	RUBBER: CHANNEL EXTR.	2
9		109689	RUBBER: CROSS BRACE	3
10		050414	NOSE PLATE (STL. VENDING)	1
11		108457	CASTER: SWIV. 3-1/2" DIA	2
12		108455	SPRING: MUSIC WIRE .035	2
13		150120	WHEEL: "HB" 8 X 2	2



HEAVY DUTY STEEL APPLIANCE/VENDING

Features:

- Welded frame and handles for maximum strength.
- Non-Marking gray vinyl on all contact surfaces securely mounted to truck.
- Bolted holding dog assembly for easy interchange of parts.
- 2" wide heavy duty web belt is standard on all models.
- Various belt tightener options to meet your moving needs.

STEEL VENDING MACHINING

- Retractable moldon rubber casters (3.5" diameter) help support load.
- Heavy duty 8" cast iron center moldon rubber wheels w/roller bearings.
- Available with "Auto-Rewind" or "Economy" belt tightening systems.
- 28.5" from noseplate to center of belt.
- Improved kick-out design allows operator to kick-out wheels with both hands on the truck.

AUTO-REWIND RATCHET:

Model: WRV-60
 Capacity: 1,200 lbs
 Belt: 2 piece w/clasp
 Weight: 83 lbs
 HxWxD: 60" x 24" x 14.5"
 Boxed: No

THIS DRAWING IN ALL PARTICULARS IS WESCO MFG. CO. PROPERTY. ALL RIGHTS OF DESIGN, INVENTION OR USE OF ARE RESERVED.

REV. & DATE	WESCO MANUFACTURING CO. LANSDALE, PENNA. 19446	
	PART NAME WRV-60 STL. APPLIANCE/VENDING	DRAWN: DATE: CHECKER:
	TOLERANCE UNLESS OTHERWISE SPECIFIED FRACTION 3 PLACE DECIMAL 2 PLACE DECIMAL ± 1/64 ± .005 ± .01	SCALE: 1" = 4"
	ANGULAR ± 1-1/2° SHEET 1 OF 1 BREAK ALL SHARP EDGES AND REMOVE ALL BURRS	D- 230017