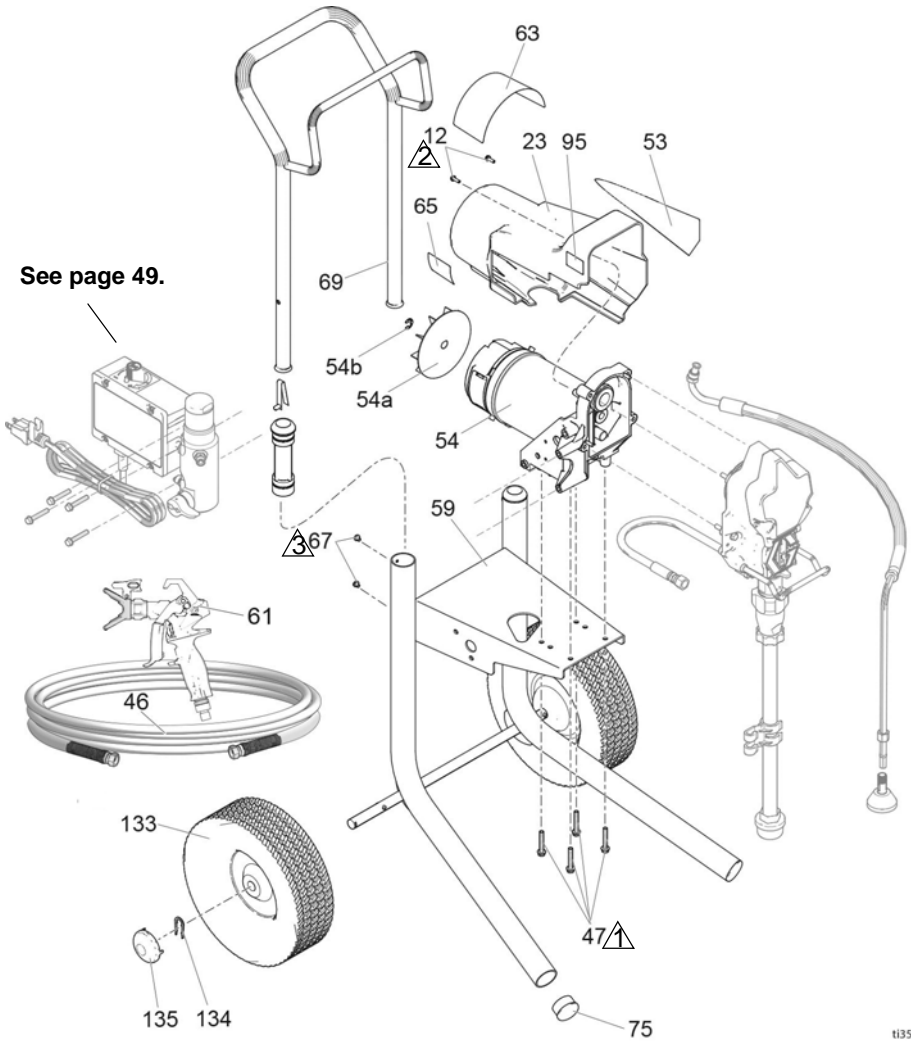





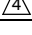
Hi-Boy Sprayers

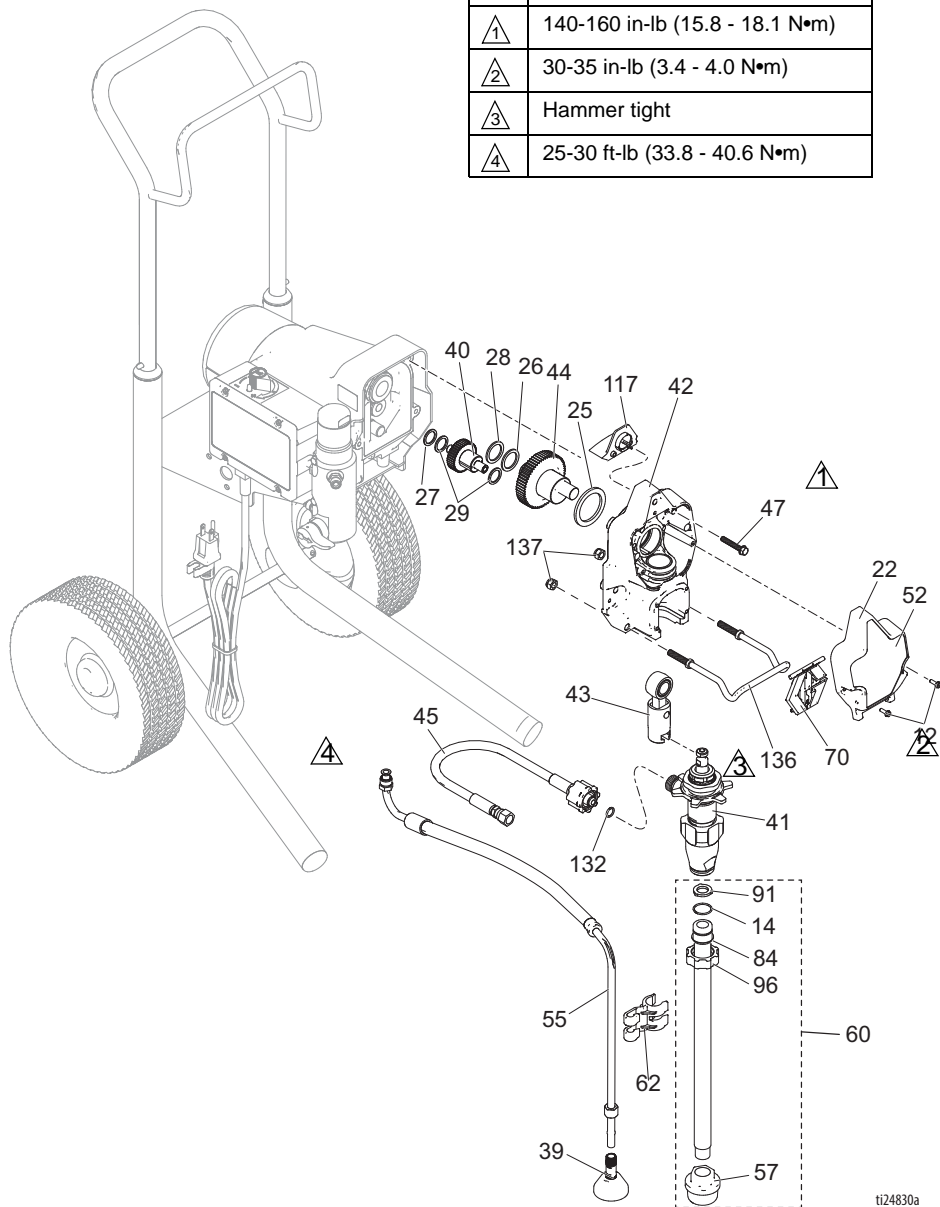
Ref.	Torque
①	140-160 in-lb (15.8 - 18.1 N•m)
②	30-35 in-lb (3.4 - 4.0 N•m)
③	23-27 in-lb (2.6 - 3.1 N•m)



t135132a

Hi-Boy Sprayers

Ref.	Torque
	140-160 in-lb (15.8 - 18.1 N•m)
	30-35 in-lb (3.4 - 4.0 N•m)
	Hammer tight
	25-30 ft-lb (33.8 - 40.6 N•m)



ti24830a

Hi-Boy Sprayers Parts List

Ref.	Part	Description	Qty.	Ref.	Part	Description	Qty.
12	117501	SCREW, mach, hex washer hd	4	54b	248189	FAN, motor, <i>includes 54a</i>	1
14	103413	O-ring	1	55	287952	HOSE, drain, <i>includes 39</i>	1
22	17C539	COVER, front, painted	1	57	246385	STRAINER, 7/8-14 unf	1
23	15B465	SHIELD, motor, painted	1	59	17C485	FRAME, cart, hi	1
25	180131	BEARING, thrust	1	60	17C992	KIT, stinger tube, <i>includes 14, 57, 84, 91, 96</i>	1
26	107434	BEARING, thrust	1	61	See page 48	GUN, spray	1
27	116073	WASHER, thrust	1	62	276888	CLIP, drain line	1
28	116074	WASHER, thrust	1	63▲	See page 48	LABEL, danger	1
29	116079	BEARING, thrust	2	65▲	See page 48	LABEL, warning	1
33	206994	FLUID, TSL (not shown)	1	67	109032	SCREW, pan hd	4
34▲	See page 48	CARD, medical alert (not shown)	1	69	287489	HANDLE	1
39	241920	DEFLECTOR, threaded	1	70	17C483	COVER, pump rod	1
40	249194	GEAR, reducer	1	75	108691	PLUG, tubing	2
41	17C487	PUMP, displacement, PC, North America	1	84	15B652	WASHER, suction	1
42	24W817	HOUSING, drive, PC, <i>includes 47</i>	1	91	115099	WASHER, hose	1
43	24W640	ROD, connecting, PC	1	96	15E813	NUT, jam	1
44	24X020	GEAR, crankshaft, <i>includes 25</i>	1	117	15G447	PLUG, shield, painted	1
45	24W830	KIT, hose, cpld, PC, <i>includes 132</i>	1	132	16H137	PACKING, O-ring	1
46	See page 48	HOSE, cpld, 1/4 in. x 50 ft	1	133	106062	WHEEL	2
47	117493	SCREW, mach, hex washer hd	8	134	15B999	CLIP, retaining	2
52	See page 48	LABEL, front	1	135	104811	CAP, hub	2
53	See page 48	LABEL, side	1	136	17C990	HANGER, pail	1
54*	287015	MOTOR, <i>includes 54a, 54b, 100-120V</i>	1	137	111040	NUT, lock, insert, nylon	2
54a	118716	RING, retaining	1	206994	FLUID, TSL, 8 oz. (not shown)	1	

* For motor brush kit order 287735






▲ Replacement safety labels, tags, and cards are available at no cost.

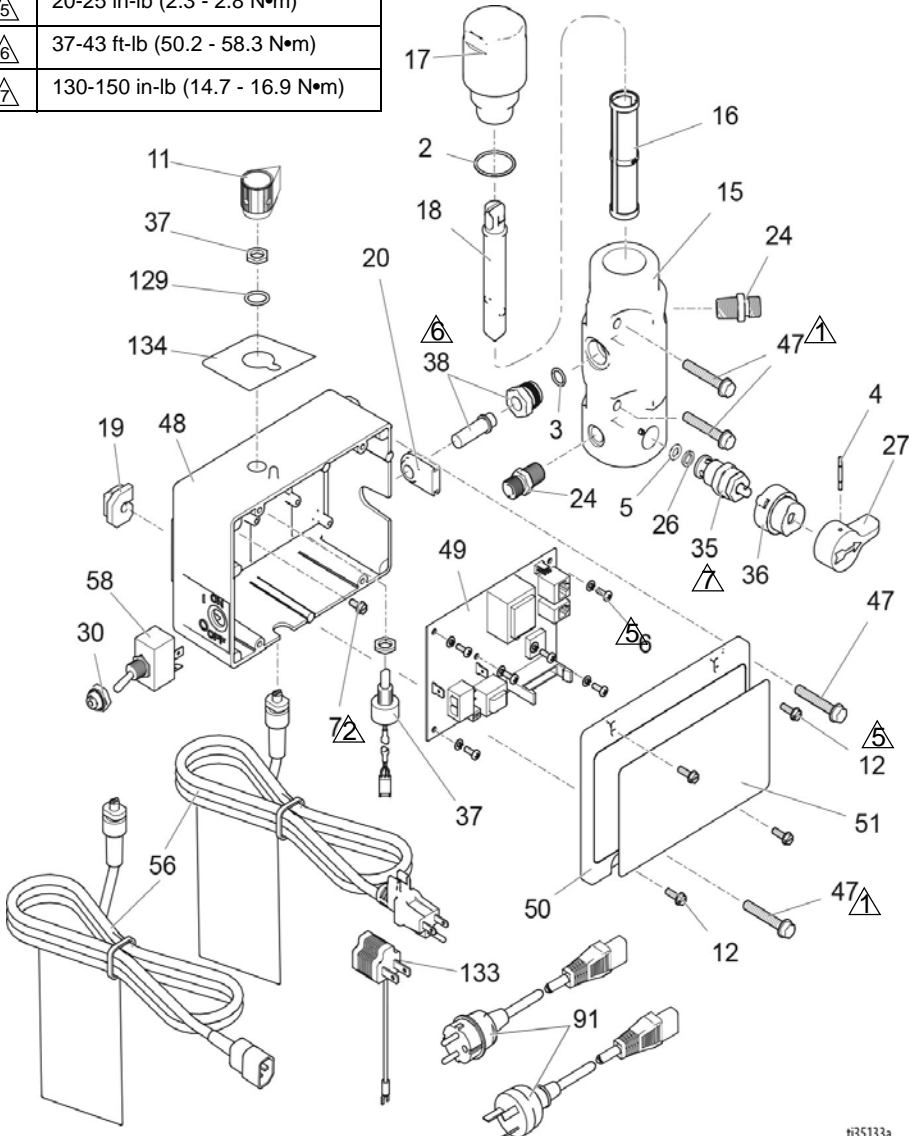
Accessories and Labels

Accessories and Labels

Sprayer Model	Ref. 34 Card, Medical Alert ▲	Ref. 46 Hose, 1/4 in. x 50 ft	Ref. 52 Label, Front	Ref. 53 Label, Side	Ref. 61 Gun, Spray	Ref. 63 Label, Danger ▲	Ref. 65 Label, Warning ▲
17E844 17E845 17E846	222385 #	240794	17E940	17E941	17Y042	15B516 &	195793 &
17E879	17A134 %	240794	17E940	17E941	17Y044	15H087 @	195792 @
17E880	17A134 %	240794	17E940	17E941	17Y044	15H086 *	195792 @
17E881	17A134 %	240794	17H890	17H891	17Y044	15H087 @	195792 @
826237 826238 826239	222385 #	826079	17E942	17E943	826252	15B516 &	195793 &
288526 – Kit, accessory, hopper							
# – English, Spanish, French							
% – English, Chinese, Korean							
& – North America							
@ – Asia/ANZ							
* – Japan							
▲ Replacement safety labels, tags, and cards are available at no cost.							

Control Box

Ref.	Torque
	140-160 in-lb (15.8 - 18.1 N•m)
	30-35 in-lb (3.4 - 4.0 N•m)
	20-25 in-lb (2.3 - 2.8 N•m)
	37-43 ft-lb (50.2 - 58.3 N•m)
	130-150 in-lb (14.7 - 16.9 N•m)



t35133a

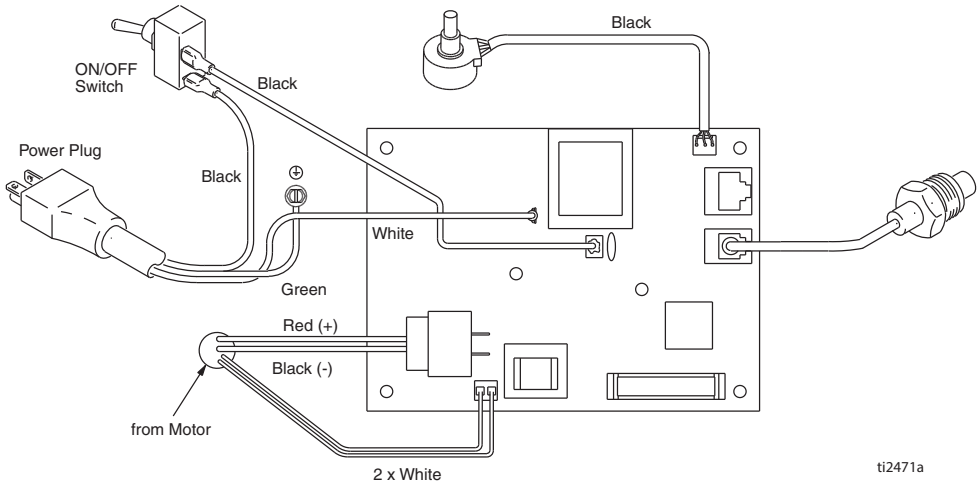
Control Box

Control Box Parts List

Ref. Part	Description	Qty.	Ref. Part	Description	Qty.		
2	117828	PACKING, o-ring	1	35	239914	VALVE, drain, <i>includes 5, 26</i>	1
3	111457	PACKING, o-ring	1	36	224807	BASE, valve	1
4	111600	PIN, grooved	1	37	17D888	POTENTIOMETER, assembly	1
5	277364	GASKET, seat, valve	1	38	243222	TRANSDUCER, pressure control, <i>includes 3</i>	1
6	115494	SCREW, mach, Phillips, pan hd	6	47	117493	SCREW, mach, hex washer hd	4
7	115498	SCREW, mch, slot/hex, wash hd	1	48	276868	BOX, control	1
11	116167	KNOB, potentiometer	1	49		CONTROL, board	1
12	117501	SCREW, mach, hex washer hd	4		246379	120V, US/Japan	
15		MANIFOLD, fluid	1		246380	230V, Asia/ANZ	
	15G455	Models without pressure gauge		50	276882	COVER, control	1
	15T811	Models with pressure gauge		51		LABEL, control	1
16		FILTER, fluid	1		15K393	ULTRA	
	246425	30 mesh			15B373	Ultimate NOVA	
	246384	60 mesh, original		56		CORD, power	1
	246382	100 mesh			15J743	US/Japan	
	246383	200 mesh			253373	Multicord, Asia/ANZ	
17	287902	CAP, manifold, <i>includes 18</i>	1	58		SWITCH, toggle	1
18	15B071	INSERT, filter	1		195429	120V, US/Japan	
19	15B118	BUSHING, motor wire	1		117492	230V Asia/ANZ	
20	15B120	GROMMET, transducer	1	91		CORD SET, adapter	1
24	162453	NIPPLE, (1/4 npsm x 1/4 npt)	2		242001	Europe	
26	15E022	SEAT, valve	1		242005	Australia	
27	187625	HANDLE, valve, drain	1	129	158674	O-ring, packing	1
30	195428	BOOT, toggle	1	133	244285	ADAPTER, Japan	1
				134	17P737	LABEL, pressure, adjustment	

Wiring Diagrams

100/120V



ti2471a