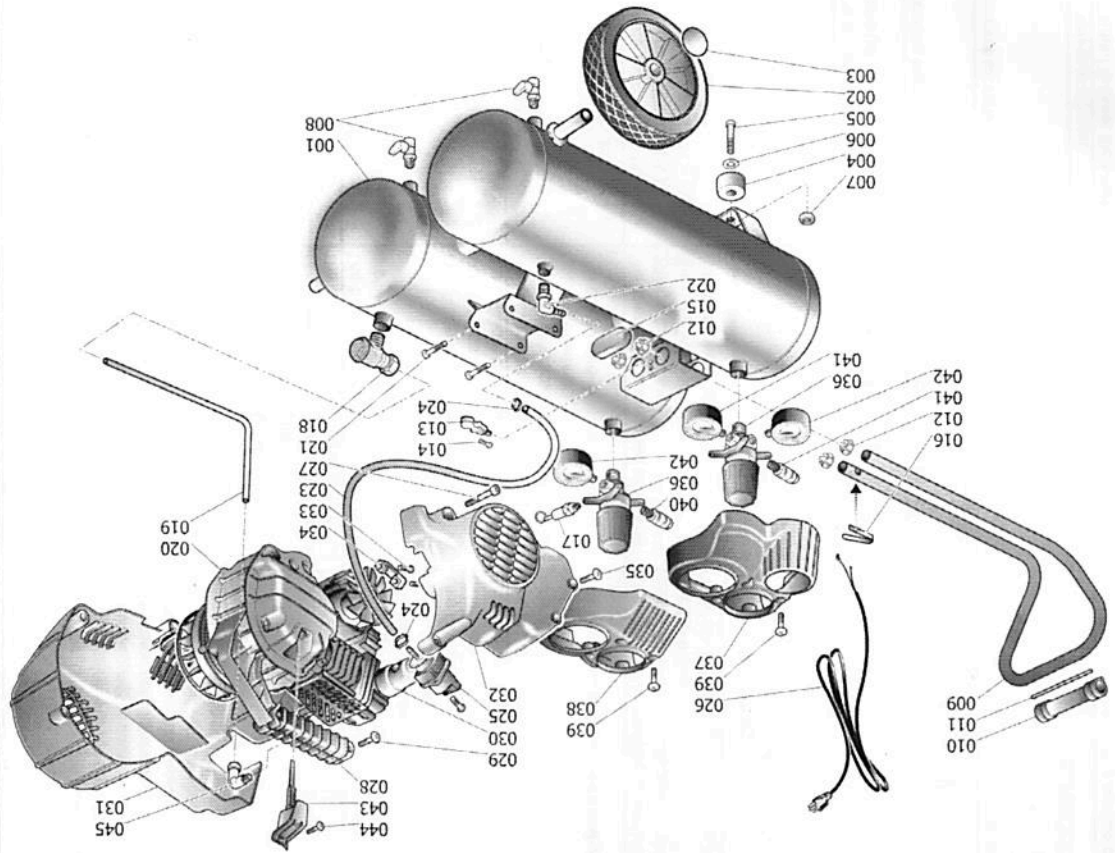


# REPLACEMENT PARTS LIST (continued)

TS DIAGRAM - AIR COMPRESSOR



# REPLACEMENT PARTS LIST (continued)

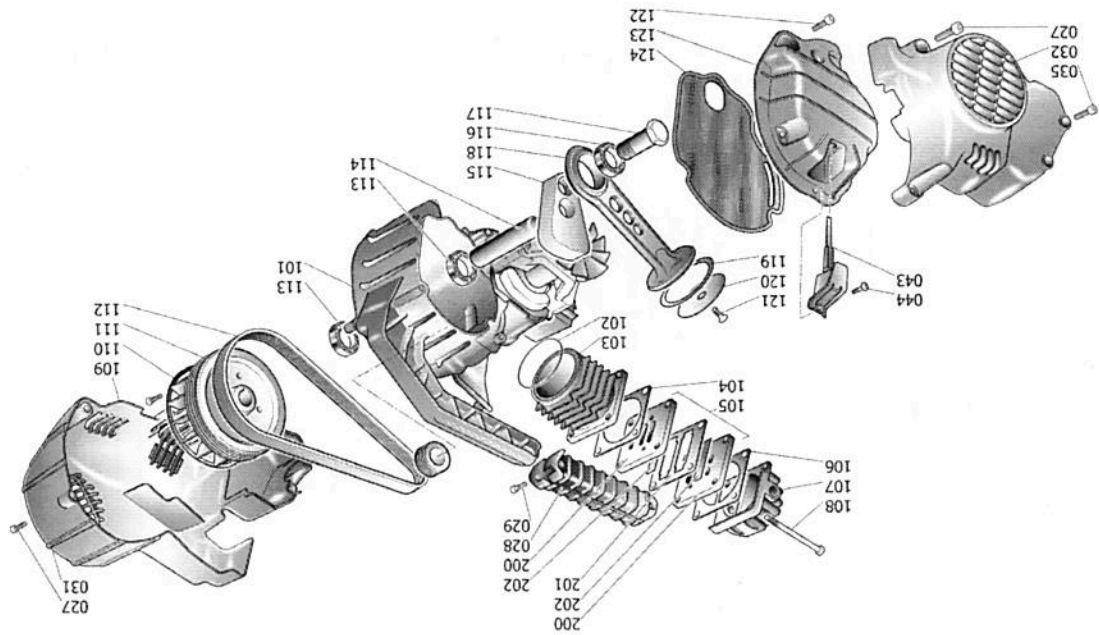
AIR COMPRESSOR PARTS LIST - MODEL NO. J5GHYB

The model number will be found on a plate attached to air tank. Always mention the model number in all correspondence regarding your PORTABLE AIR COMPRESSOR or when ordering replacement parts.

KEY NO.	CODE	DESCRIPTION	QTY
001	9413533212	AIR VESSEL.....	1
002	9042044	WHEEL.....	2
003	9139135	SEGER.....	2
004	9038929	FOOT.....	2
005	9104140	SCREW TBEI 6X30.....	2
006	9131654	WASHER 6X12X1.5.....	2
007	9122451	NUT M6.....	2
008	9047090	DRAINING VALVE.....	2
009	9083737	METAL HANDLE.....	1
010	9038856	HANDLE GRIP.....	1
011	9416872	PIN FOR HANDLE GRIP.....	1
012	9069063	PLASTIC BUSHING.....	4
013	9417568	LOCK HANDLE PIN.....	1
014	9411073	SCREW TCEI M5X16.....	1
015	9069064	METAL HANDLE CAP.....	1
016	9416105	SNAP BUTTON.....	2
017	9049115	SAFETY VALVE.....	1
018	9048087	CHECK VALVE.....	1
019	9043742	DELIVERY PIPE.....	1
020	HY00003	PUMP.....	1
021	9101985	SCREW TCEI M6X75.....	2
022	9417577	FITTING BARB.....	1
023	9045670	RUBBER HOSE.....	0.8 ft.
024	9050698	CLAMP.....	2
025	9063276	PRESSURE (ON/OFF) SWITCH.....	1
026	9065344	POWER CORD WITH PLUG.....	1
027	9411073	SCREW TCEI M5X16.....	7
028	9069027	HANDLE GRIP FOR PUMP.....	1
029	9114042	SCREW 4X8 (PHILIPS).....	4
030	7981000	AIR FILTER.....	1
031	9069020	SHROUD.....	1
032	9069021	SHROUD.....	1
033	9142591	SCREW 3.9X13 (PARKER).....	1
034	9064821	LOCK CABLE.....	2
035	9114286	SCREW TC 5X23 (PLASTIC) DF.....	3
036	9051230	PRESSURE REDUCER.....	2
037	9069061	PANEL (REDUCER SIDE).....	1
038	9069062	PANEL (SAFETY VALVE SIDE).....	1
039	9104024	SCREW TBEI 5X16.....	8
040	9047086	QUICK COUPLING.....	2
041	9052211	GAUGE 2".....	2
042	9052210	GAUGE 1.5".....	1
043	9069068	OIL DIPSTICK.....	1
044	9113003	SCREW 4X6 (PHILIPS).....	1
045	9050674	ELBOW.....	1

# REPLACEMENT PARTS LIST (continued)

EXPLODED VIEW DIAGRAM - PUMP UNIT



# REPLACEMENT PARTS LIST

## PUMP UNIT PARTS LIST - MODEL NO. HY00003

Always mention the model number when ordering replacement parts.

KEY NO.	CODE	DESCRIPTION	QTY
027	9411073	SCREW TCEI M5X16.....	7
028	9069027	HANDLE GRIP.....	1
029	9114042	SCREW 4X8 (PHILIPS).....	4
031	9069020	SHROUD (BELT SIDE).....	1
032	9069021	SHROUD.....	1
035	9114286	SCREW TC 5X23 (PLASTIC).....	3
043	9069068	OIL DIPSTICK.....	1
044	9113003	SCREW PHILIPS 4X6.....	1
101	9417511	ASSY CRANKCASE/MOTOR.....	1
102	9040043	O-RING 2224.....	1
103	9417509	CYLINDER.....	1
104	9417501	GASKET CYLINDER-PLATE.....	1
105	0540051	ASSY VALVE PLATE.....	1
106	6750400	GASKET VALVE PLATE-HEAD.....	1
107	9417505	HEAD.....	1
108	9101774	SCREW TCEI M6X90.....	4
109	9101095	SCREW TCEI M6X12.....	3
110	9069024	FAN.....	1
111	9417504	FLYWHEEL.....	1
112	9075335	BELT.....	1
113	9170121	BEARING 6302.....	2
114	9417502	SHAFT.....	1
115	9417500	COUNTERWEIGHT.....	1
116	9415531	BEARING 6201.....	1
117	9417503	CRANK PIN.....	1
118	A710110	CONROD/PISTON.....	1
119	9040019	SEAL.....	1
120	9416831	CONROD COVER.....	1
121	9011057	SCREW TORX M5X16.....	1
122	9101984	SCREW TCEI M5X20.....	4
123	9417569	CRANKCASE COVER.....	1
124	9417506	GASKET CRANKCASE COVER.....	1
200	0540100	VALVE PLATE.....	2
201	0540300	GASKET VALVE PLATE - VALVE PLATE.....	1
202	9007015	BLADE.....	2