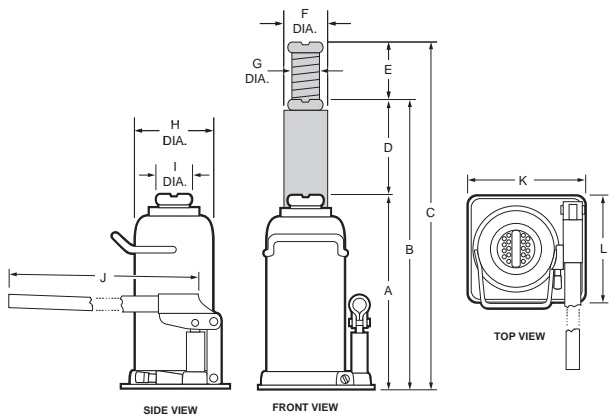




Click Here To View
Item at

www.GapPower.com

*Sales • Rentals
Parts & Service*



MODEL NUMBER	CAPACITY	A	B	C	D	E	F	G	H	I	J	K	L	PRESSURE CYLINDER Inside Dia.	CARRY HANDLE	SHIPPING WEIGHT (Lbs.)
76502A	2 TON	7.125"	12.0625"	14.5"	4.9375"	2.4375"	.785"	.545"	2.016"	.993"	14.875"	3.5"	4.125"	.985"	No	6
76503A	3 TON	7.5"	12.75"	15.5625"	5.25"	2.8125"	1.065"	.706"	2.393"	1.106"	14.875"	4"	4.5625"	1.265"	No	8
76505A	5 TON	9.0625"	15.75"	18.875"	6.6875"	3.125"	1.257"	.892"	2.764"	1.435"	17.5"	4.875"	4.875"	1.459"	No	11.5
76508A	8 TON	9.0625"	15.5625"	18.75"	6.5"	3.1875"	1.375"	.979"	2.945"	1.608"	17.5"	5.375"	5.125"	1.577"	Yes	14
76412 76412G	12 TON	9.4375"	15.3125"	18.875"	5.875"	3.5625"	1.570"	1.056"	3.475"	1.75"	24"	5.5"	5.375"	1.772"	Yes	18
76512	12 TON	6.6875"	10.4375"	13.1875"	3.75"	2.75"	1.570"	1.056"	3.475"	1.75"	24"	5.5"	5.375"	1.772"	Yes	15
76520 76520G	20 TON	10.8125"	17.4375"	20.1875"	6.625"	2.75"	2.160"	1.275"	4.510"	2.125"	24"	6.5"	6"	2.442"	Yes	31
76820	20 TON	8.25"	12.1875"	14.9375"	3.9375"	2.75"	2.160"	1.275"	4.510"	2.125"	24"	6.5"	6"	2.442"	Yes	25
76530	30 TON	11"	17.375"	—	6.375"	—	2.357"	—	5.010"	2.625"	39.5"	7.5"	6"	2.835"	Yes	51
76535	30 TON	11"	17.3125"	—	6.3125"	—	2.375"	—	4.75"	2.375"	31.5"	5.625"	7.5625"	—	Yes	42.5
76550	50 TON	12"	18.6875"	—	6.6875"	—	3.343"	—	6.755"	3.3125"	39.5"	9.25"	7.5"	4.133"	Yes	89
76560	60 TON	12"	18.6875"	—	6.6875"	—	3.125"	—	6.5"	3.125"	39.375"	7.4375"	9.3125"	—	Yes	81.5