

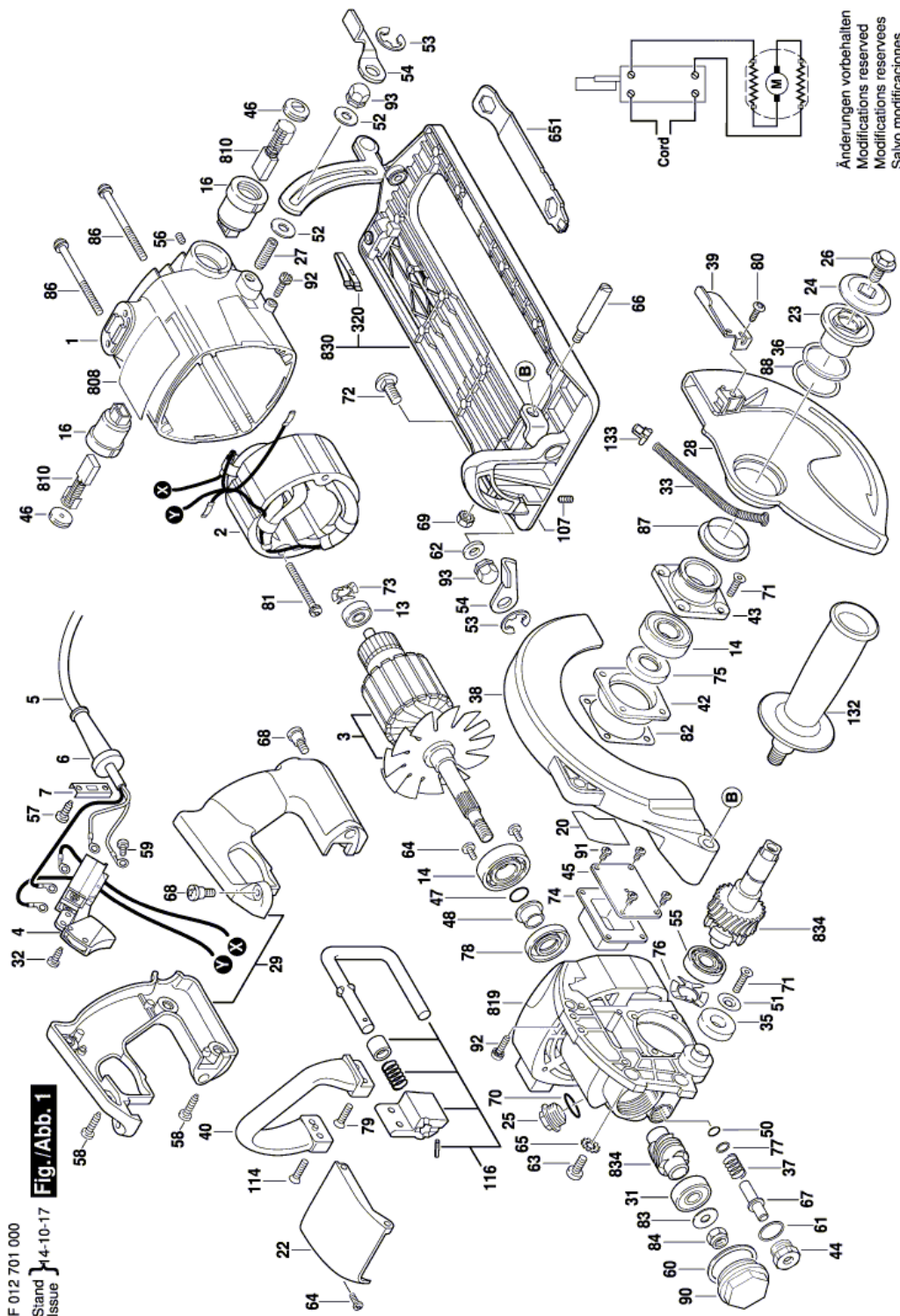
Circular hand saw - F 012 701 000 - SPT70WM

Item	Part Number	Description	Illustration	Price	Quantity	Price Group
1	1 619 X09 123	Motor Housing	1	\$ 30.50	1	35
2	1 619 P12 372	Field	1	\$ 42.00	1	38
3	1 619 P12 636	Armature	1	\$ 78.00	1	44
4	1 619 X08 653	Switch	1	\$ 11.12	1	25
5	1 619 X08 527	Power supply cord	1	\$ 13.70	1	27
6	1 619 X08 308	Grommet	1	\$ 2.94	1	16
7	1 619 X01 274	Cable Clip	1	\$ 1.12	1	11
13	2 610 017 348	groove ball bearing	1	\$ 2.01	1	14
14	2 610 024 748	Ball Bearing	1	\$ 2.58	2	15
16	1 619 X04 708	Brush Holder	1	\$ 2.58	2	15
20	1 619 X09 151	Warning Plate	1	\$ 1.12	1	11
22	1 619 X01 208	Hood	1	\$ 1.12	1	11
23	1 619 X09 102	Washer	1	\$ 4.31	1	18
24	1 619 X02 969	Washer	1	\$ 4.31	1	18
25	1 619 X06 474	Oil Drain Plug	1	\$ 1.70	1	13
26	1 619 X03 643	Collar bolt	1	\$ 1.36	1	12
27	1 619 X01 262	Stud	1	\$ 1.12	1	11
28	1 619 X09 105	Lower guard	1	\$ 30.50	1	35
29	1 619 X01 364	Set Of Handles	1	\$ 11.12	1	25
31	2 610 017 875	Ball Bearing	1	\$ 2.94	1	16
32	2 610 901 971	Screw	1	\$ 0.68	1	10
33	1 619 X09 131	Extension Spring	1	\$ 5.72	1	20
35	1 619 X09 157	Bumper	1	\$ 1.12	1	11
36	2 610 341 359	Spring retaining ring	1	\$ 1.12	1	11
37	2 610 023 394	Spring	1	\$ 0.68	1	10
38	1 619 X09 108	Upper guard	1	\$ 38.00	1	37
39	1 619 X07 688	Lever	1	\$ 0.68	1	10
40	1 619 X01 205	Handle	1	\$ 3.73	1	17
42	1 619 X01 253	Bearing Plate	1	\$ 4.31	1	18
43	1 619 X01 255	Guard Plate	1	\$ 3.73	1	17
44	1 619 X01 271	Bushing	1	\$ 1.70	1	13
45	1 619 X04 783	Cover	1	\$ 1.70	1	13

Item	Part Number	Description	Illustration	Price	Quantity	Price Group
46	1 619 X01 268	Device cap	1	\$ 1.12	2	11
47	1 619 X04 712	O-Ring	1	\$ 0.68	1	10
48	1 619 X01 272	Collar	1	\$ 2.01	1	14
50	1 619 X03 779	O-Ring	1	\$ 1.12	1	11
51	2 610 004 341	Washer	1	\$ 0.68	1	10
52	2 610 912 616	Washer	1	\$ 0.68	2	10
53	2 610 968 747	Spring retaining ring	1	\$ 1.12	2	11
54	1 619 X04 719	Locking Lever	1	\$ 1.12	2	11
55	2 610 000 166	Ball Bearing	1	\$ 2.94	1	16
56	2 610 027 039	Set screw	1	\$ 0.68	2	10
57	2 610 315 299	Screw	1	\$ 0.68	2	10
58	2 610 315 380	Screw	1	\$ 0.68	4	10
59	1 619 X03 644	Screw	1	\$ 0.68	1	10
60	1 619 X06 222	O-Ring	1	\$ 0.68	1	10
61	2 610 025 067	Washer	1	\$ 1.12	1	11
62	1 619 X07 724	Washer	1	\$ 0.68	1	10
63	2 610 329 955	Screw	1	\$ 0.68	2	10
64	1 619 X01 786	Contact Screw	1	\$ 0.68	4	10
65	2 610 306 355	Washer	1	\$ 0.68	2	10
66	1 619 X01 263	Stud	1	\$ 1.70	1	13
67	1 619 X01 298	Bearing bolt	1	\$ 1.12	1	11
68	2 610 932 332	Screw	1	\$ 0.68	4	10
69	2 610 932 460	Self-locking nut	1	\$ 0.68	1	10
70	1 616 B10 364	O-Ring	1	\$ 0.68	1	10
71	2 610 027 002	Screw	1	\$ 0.68	5	10
72	2 610 911 837	Bolt	1	\$ 1.12	1	11
73	2 610 004 459	Spring Washer	1	\$ 1.12	1	11
74	1 619 X01 257	Rubber Gasket	1	\$ 1.12	1	11
75	1 619 X07 731	Seal	1	\$ 2.58	1	15
76	2 610 931 237	Spring Washer	1	\$ 1.12	1	11
77	2 610 017 016	Washer	1	\$ 0.68	1	10
78	1 619 X04 740	Seal	1	\$ 4.31	1	18
79	2 610 993 549	Screw	1	\$ 0.68	2	10
80	1 619 X06 749	Screw	1	\$ 0.68	1	10
81	2 610 329 952	Screw	1	\$ 1.70	2	13
82	1 619 X01 258	mat seal	1	\$ 1.12	1	11
83	1 619 X05 847	Washer	1	\$ 0.68	1	10
84	2 610 318 324	Nut	1	\$ 1.12	1	11
86	2 610 329 954	Screw	1	\$ 2.58	4	15
87	1 619 X06 242	Bushing	1	\$ 0.68	1	10
88	1 619 X06 254	Washer	1	\$ 0.68	1	10
90	1 619 X01 260	Bearing Cover	1	\$ 1.12	1	11
91	1 619 X06 749	Screw	1	\$ 0.68	4	10
92	2 610 932 218	Screw	1	\$ 0.68	2	10
93	1 619 X01 283	Nut	1	\$ 1.70	2	13
107	2 610 911 889	Set screw	1	\$ 1.12	1	11
114	2 610 911 890	Screw	1	\$ 0.68	2	10
116	1 619 X01 264	Assembly Hook	1	\$ 4.31	1	18
132	1 619 X09 133	Handle	1	\$ 4.31	1	18
133	1 619 X09 135	Bushing	1	\$ 1.12	1	11

Item	Part Number	Description	Illustration	Price	Quantity	Price Group
320	1 619 X04 669	Spring	1	\$ 0.68	1	10
651	1 619 X04 755	Wrench Socket	1	\$ 2.94	1	16
808	1 619 X09 175	Nameplate	1	\$ 1.12	1	11
810	1 619 X08 020	Carbon-Brush Set	1	\$ 4.94	1	19
819	1 619 X09 183	Gear Housing	1	\$ 59.00	1	41
830	1 619 X09 184	Base Plate	1	\$ 70.00	1	43
834	1 619 X09 185	Set Of Gears	1	\$ 59.00	1	41

Illustration - Type E



Information subject to change without further notice.