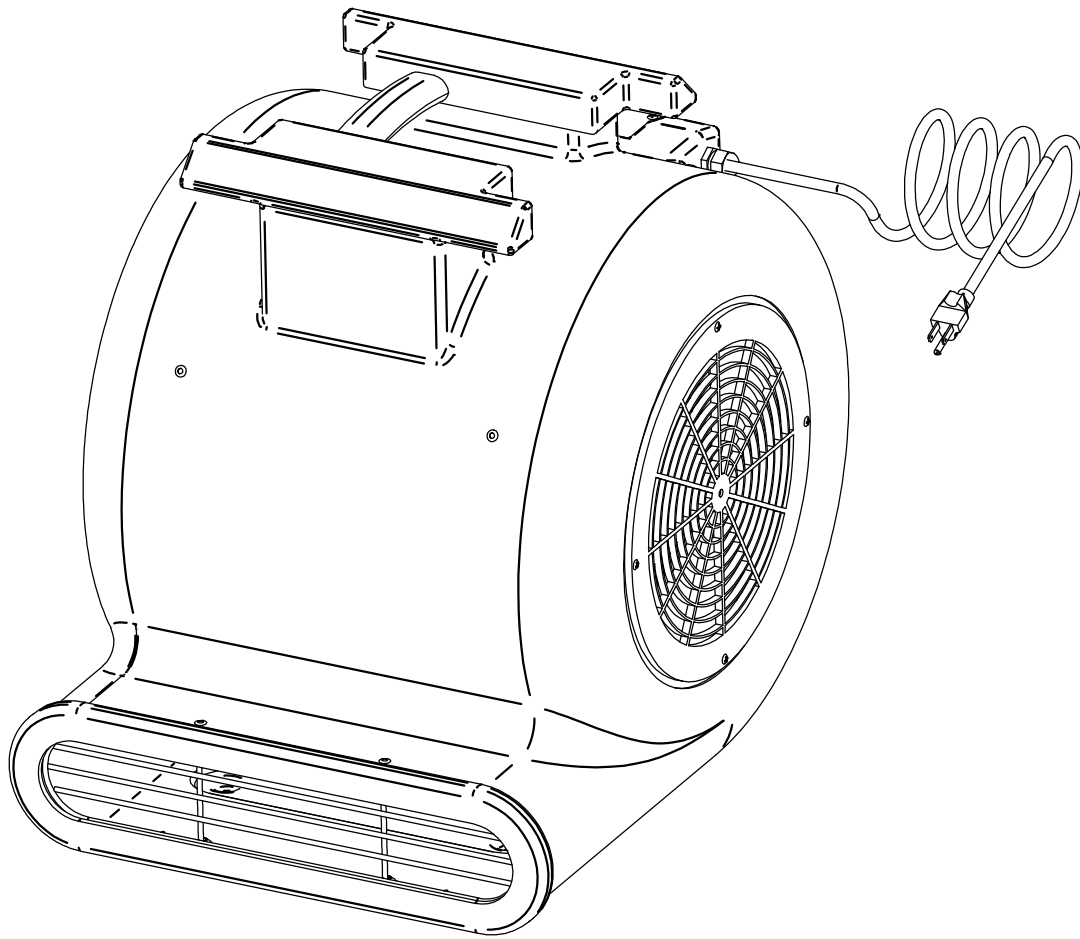


*Replacement Parts Diagram
CD10P Stackable Carpet Dryer
115VAC, 60HZ Operation*



Replacement Parts Diagram CD10P Stackable Carpet Dryer 115VAC, 60HZ Operation

WARNING

DO NOT EXPOSE BLOWER TO RAIN.
DO NOT OPERATE BLOWER IN HAZARDOUS-DEFINED LOCATIONS.

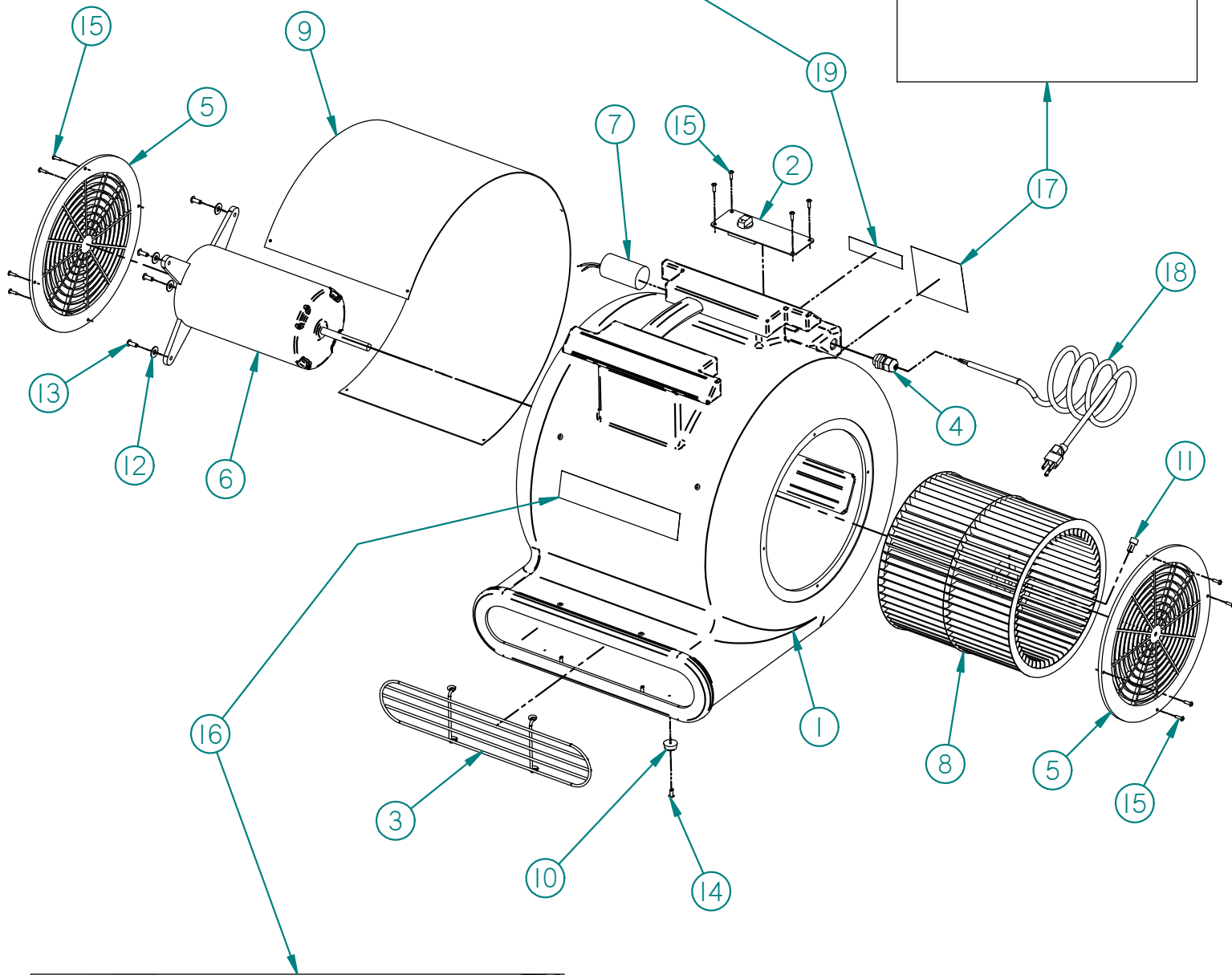
Maximum Free Air Delivery: 3800 CFM
Use only with a properly grounded power source and GFCI.
Consult applicable electric codes for additional information.
Consult the Operator Manual for safety and operational information.

ISSUE 01/2016 CD10P-0222

General CUSTOMER SERVICE INFORMATION
EQUIPMENT COMPANY

Should there's a line from product company. Don't be afraid to ask for help.
* For diagnosis and appliance assistance contact your selling dealer.
* If the product was returned, consult the location from which it was received.
* For warranty requests go to: www.generalequipment.com/warranty
* For general & safety advice go to: www.generalequipment.com
* E-mail: cs@generalequipment.com

For further assistance, contact General Equipment Customer Service. There is no charge for this service.



*Replacement Parts Diagram
CD10P Stackable Carpet Dryer
115VAC, 60HZ Operation*

Reference Number	Part Number	Description	Quantity
1	CD10P-0011	Housing, Blower	1
2	CD10P-0121	Switch, ON/OFF	1
3	CD10P-0071	Grille, Outlet	1
4	EP8ACP-0120	Relief, Strain	1
5	CD10P-0021	Grille, Wheel, Blower	2
6	CD10P-0041	Motor, Electric, 115VAC, 60HZ	1
7	CD10P-0060	Capacitor, 115VAC, 60HZ	1
8	CD10P-0030	Wheel, Blower, Steel, 10D, (Includes Ref. 11)	1
9	CD10P-0091	Shield, Plastic	1
10	EP8ACP-0110	Foot, Rubber	4
11	CD10P-0160	SHCS, M8-1.25 X 15	1
12	17040000	Washer, Flat, 1/4, ZY	4
13	CD10P-0190	FHMS, M6-1 X 15, Z	4
14	45030400	Rivet, Pop, 3/16 X 1/2	15
15	EP8ACP-0140	Screw, Self Tap, #7 X 5/8	12
16	GECD-5030	Decal, General, 1-7/8 X 9-1/2	1
17	CD10P-5022	Decal, Warning, US	1
18	CD10P-0080	Cord, Power, US	1
19	SG24-5072	Decal, Assistance	1