



Click Here To View  
Item at

[www.GapPower.com](http://www.GapPower.com)

*Sales • Rentals  
Parts & Service*

# STIHL®

## STIHL FS 130

Instruction Manual  
Manual de instrucciones

**Warning!**  
Read and follow all safety precautions in  
Instruction Manual – improper use can cause  
serious or fatal injury.

**Advertencia!**  
Lea y siga todas las precauciones de  
seguridad dadas en el manual de  
instrucciones – el uso incorrecto puede  
causar lesiones graves o mortales.



## Contents

Guide to Using this Manual .....	2	Maintenance and Repairs .....	55
Safety Precautions and Working Techniques .....	3	STIHL Incorporated Federal Emission Control Warranty Statement .....	56
Approved Combinations of Cutting Tool, Deflector, Handle and Harness .....	20	STIHL Incorporated California Exhaust and Evaporative Emissions Control Warranty Statement .....	58
Approved Power Tool Attachments .....	22	Trademarks .....	60
Mounting the Bike Handle .....	22		
Mounting the Loop Handle .....	24		
Adjusting the Throttle Cable .....	26		
Fitting the Carrying Eye .....	26		
Mounting the Deflector .....	27		
Mounting the Cutting Tools .....	28		
4-MIX Engine .....	32		
Fuel .....	32		
Fueling .....	33		
Fitting the Harness .....	34		
Balancing the Brushcutter .....	35		
Starting / Stopping the Engine .....	36		
Operating Instructions .....	39		
Cleaning the Air Filter .....	39		
Motor Management .....	40		
Adjusting the Carburetor .....	40		
Spark Arresting Screen in Muffler .....	42		
Checking the Spark Plug .....	42		
Lubricating the Gearbox .....	43		
Replacing Starter Rope and Rewind Spring .....	44		
Storing the Machine .....	47		
Sharpening Metal Cutting Tools .....	47		
Inspections and Maintenance by Dealer .....	48		
Maintenance Chart .....	49		
Parts and Controls .....	51		
Specifications .....	54		
Special Accessories .....	54		

Allow only persons who understand this manual to operate your trimmer/brushcutter.

To receive maximum performance and satisfaction from your STIHL trimmer/brushcutter, it is important that you read and understand the maintenance and safety precautions, starting on page 3, before using your trimmer/brushcutter.

Contact your STIHL dealer or the STIHL distributor for your area if you do not understand any of the instructions in this manual.

### Warning!

Because a trimmer/brushcutter is a high-speed cutting tool some special safety precautions must be observed to reduce the risk of personal injury.

Careless or improper use may cause serious or even fatal injury. Make sure your unit is equipped with the proper deflector, handle and harness for the type of cutting attachment being used. Always wear proper eye protection.

STIHL's philosophy is to continually improve all of its products. As a result, engineering changes and improvements are made from time to time. If the operating characteristics or the appearance of your trimmer/brushcutter differs from those described in this manual, please contact your STIHL dealer for information and assistance.



## Guide to Using this Manual

### Pictograms

All the pictograms attached to the machine are shown and explained in this manual.

The operating and handling instructions are supported by illustrations.

### Symbols in text

The individual steps or procedures described in the manual may be marked in different ways:


- A bullet marks a step or procedure without direct reference to an illustration.


A description of a step or procedure that refers directly to an illustration may contain item numbers that appear in the illustration.  
Example:


Loosen the screw (1)

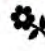
Lever (2) ...

In addition to the operating instructions, this manual may contain paragraphs that require your special attention. Such paragraphs are marked with the symbols described below:

 Warning where there is a risk of an accident or personal injury or serious damage to property.

 Caution where there is a risk of damaging the machine or its individual components.

 Note or hint which is not essential for using the machine, but may improve the operator's understanding of the situation and result in better use of the machine.

 Note or hint on correct procedure in order to avoid damage to the environment.

### \* Equipment and features

This instruction manual may refer to several models with different features. Components that are not installed on all models and related applications are marked with an asterisk (\*). Such components may be available as special accessories from your STIHL dealer.

### Engineering improvements

STIHL's philosophy is to continually improve all of its products. As a result, engineering changes and improvements are made from time to time. If the operating characteristics or the appearance of your machine differ from those described in this manual, please contact your STIHL dealer for assistance.

Therefore some changes, modifications and improvements may not be covered in this manual.

## Safety Precautions and Working Techniques



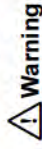
Because a trimmer/brushcutter is a high-speed, fast-cutting power tool sometimes equipped with sharp cutting blades, special safety precautions must be observed to reduce the risk of personal injury.



It is important that you read, fully understand and observe the following safety precautions and warnings. Read the instruction manual and the safety precautions periodically. Careless or improper use may cause serious or fatal injury.

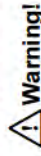
The terminology utilized in this manual when referring to the power tool reflects the fact that different types of cutting attachments may be mounted on it. The term "trimmer" is used to designate an FS unit that is equipped with a nylon line head or a head with flexible plastic blades (i.e., the PolyCut head). A "brushcutter" designates a unit equipped with a rigid metal blade. Many FS models may be used as either a trimmer or a brushcutter - therefore, the power tool is referred in this manual as a "trimmer/brushcutter." Some smaller and/or lightweight FS models may only be used as a trimmer, i.e., they may not be used with metal blades.

The term "clearing saw" indicates a high-powered trimmer/brushcutter that is particularly suited for use with a circular saw blade to clear saplings or small trees. FS models with an "R" on the nameplate were originally configured (at the time of distribution) as a trimmer with a loop handle.

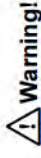


As more fully explained later in these Safety Precautions, to reduce the risk of personal injury, make sure your unit is equipped with the proper handle, harness and deflector for the type of cutting attachment you are using. Use only cutting attachments that are specifically authorized by STIHL for use on your FS model.

Have your STIHL dealer show you how to operate your power tool. Observe all applicable local safety regulations, standards and ordinances.

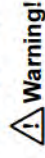


Do not lend or rent your power tool without the instruction manual. Be sure that anyone using it understands the information contained in this manual.



The use of this machine may be hazardous. If the rotating line or blade comes in contact with your body, it will cut you. When it comes in contact with solid foreign objects such as rocks or bits of metal, it may fling them directly or by ricochet in the direction of bystanders or the operator. Striking such objects could damage the cutting attachment and may cause blades to crack, chip or break. Thrown objects, including broken heads or blades, may result in serious or fatal injury to the operator or bystanders. STIHL does not recommend the use of rigid blades when cutting in stony areas.

Use your trimmer/brushcutter equipped with the appropriate cutting attachment only for cutting grass, brush, wood and similar material. It must not be used for any other purposes, since such misuse may result in an accident or damage to the machine.



Minors should never be allowed to use this power tool. Bystanders, especially children, and animals should not be allowed in the area where it is in use.

**⚠ Warning!**

To reduce the risk of injury to bystanders and damage to property, never let your power tool run unattended. When it is not in use (e.g. during a work break), shut it off and make sure that unauthorized persons do not use it.

Most of these safety precautions and warnings apply to the use of all STIHL trimmer/brushcutters. Different models may have different parts and controls. See the appropriate section of your instruction manual for a description of the controls and the function of the parts of your model.

Safe use of a trimmer/brushcutter involves

1. the operator
2. the power tool
3. the use of the power tool.

## THE OPERATOR

### Physical Condition

You must be in good physical condition and mental health and not under the influence of any substance (drugs, alcohol, etc.) which might impair vision, dexterity or judgment. Do not operate this machine when you are fatigued.

**⚠ Warning!**

Be alert – if you get tired, take a break. Tiredness may result in loss of control. Working with any power tool can be strenuous. If you have any condition that might be aggravated by strenuous work, check with your doctor before operating this machine.

**⚠ Warning!**

Prolonged use of a power tool (or other machines) exposing the operator to vibrations may produce whitefinger disease (Raynaud's phenomenon) or carpal tunnel syndrome.

These conditions reduce the hand's ability to feel and regulate temperature, produce numbness and burning sensations and may cause nerve and circulation damage and tissue necrosis.

All factors which contribute to whitefinger disease are not known, but cold weather, smoking and diseases or physical conditions that affect blood vessels and blood transport, as well as high vibration levels and long periods of exposure to vibration are mentioned as factors in the development of whitefinger disease. In order to reduce the risk of whitefinger disease and carpal tunnel syndrome, please note the following:

Most STIHL power tools are available with an anti-vibration ("AV") system designed to reduce the transmission of vibrations created by the machine to the operator's hands. An AV system is recommended for those persons using power tools on a regular or sustained basis.

Keep the AV system well maintained. A power tool with loose components or with damaged or worn AV buffers will tend to have higher vibration levels.

Maintain a firm grip at all times, but do not squeeze the handles with constant, excessive pressure. Wear gloves and keep your hands warm. Take frequent breaks.

All the above-mentioned precautions do not guarantee that you will not sustain whitefinger disease or carpal tunnel syndrome. Therefore, continual and regular users should closely monitor the condition of their hands and fingers. If any of the above symptoms appear, seek medical advice immediately.

**⚠ Warning!**

The ignition system of the STIHL unit produces an electromagnetic field of a very low intensity. This field may interfere with some pacemakers. To reduce the risk of serious or fatal injury, persons with a pacemaker should consult their physician and the pacemaker manufacturer before operating this tool.

**Proper Clothing**

**⚠ Warning!**

To reduce the risk of injury, the operator should wear proper protective apparel. The deflector provided with your power tool will not protect the operator from all foreign objects (gravel, glass, wire, etc.) thrown back by the rotating cutting attachment. Thrown objects may also ricochet and strike the operator.

**⚠ Warning!**

To reduce the risk of injury to your eyes never operate your power tool unless wearing goggles or properly fitted protective glasses with adequate top and side protection complying with ANSI Z 87.1 (or your applicable national standard). To reduce the risk of injury to your face STIHL recommends that you also wear a face shield or face screen over your goggles or protective glasses.

**⚠ Warning!**



Power tool noise may damage your hearing. Wear sound barriers (ear plugs or ear muffs) to protect your hearing.

Continual and regular users should have their hearing checked regularly.

Be particularly alert and cautious when wearing hearing protection because your ability to hear warnings (shouts, alarms, etc.) is restricted.



Always wear gloves when handling the machine and metal blades. Heavy-duty, nonslip gloves improve your grip and help to protect your hands.



Clothing must be sturdy and snug-fitting, but allow complete freedom of movement. Wear long pants made of heavy material to help protect your legs. Do not wear shorts, sandals or go barefoot.



Avoid loose-fitting jackets, scarfs, neckties, jewelry, flared or cuffed pants, unconfined long hair or anything that could become caught on

branches, brush or the moving parts of the unit. Secure hair so it is above shoulder level.



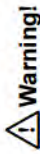
Good footing is very important. Wear sturdy boots with nonslip soles. Steel-toed safety boots are recommended.



Wear an approved safety hard hat to reduce the risk of injury to your head when there is a danger of head injuries.

### THE POWER TOOL

For illustrations and definitions of the power tool parts see the chapter on "Main Parts and Controls."

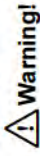


Never modify this power tool in any way. Only attachments supplied by STIHL and expressly approved by STIHL for use with the specific STIHL model are authorized. Although certain unauthorized attachments are useable with STIHL power tools, their use may, in fact, be extremely dangerous. For the cutting attachments authorized by STIHL for your unit, see the chapter "Approved Combinations of Cutting Attachment, Deflector, Handle and Harness" in the instruction manual or the STIHL "Power Tools and Accessories" catalog.

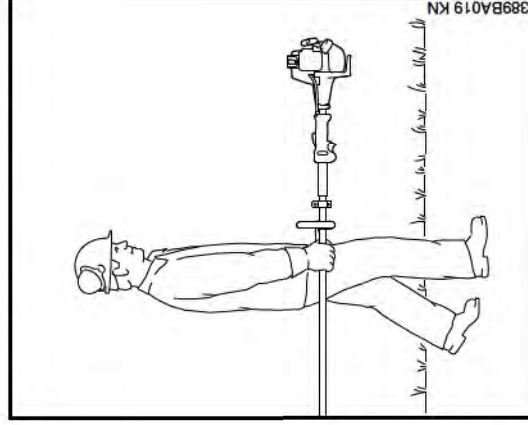
If this tool is subjected to unusually high loads for which it was not designed (e.g. heavy impact or a fall), always check that it is in good condition before continuing work. Check in particular that the fuel system is tight (no leaks) and that the controls and safety devices are working properly. Do not continue operating this machine if it is damaged. In case of doubt, have it checked by your STIHL servicing dealer.

### THE USE OF THE POWER TOOL

#### Transporting the Power Tool



To reduce the risk of injury from loss of control and blade or line contact, never carry or transport your power tool with the cutting attachment moving.



It may be carried only in a horizontal position. Grip the shaft in a manner that the machine is balanced horizontally. Keep the hot muffler away from your body and the cutting attachment behind you.



### Fueling Instructions

#### **Warning!**

Always shut off the engine and make sure the cutting attachment has stopped before putting a trimmer/brushcutter down. When transporting it in a vehicle, properly secure it to prevent turnover, fuel spillage and damage to the unit. STIHL recommends that you keep metal blades covered with the transport guard (optional accessory).

#### **Fuel**

Your STIHL power tool uses an oil-gasoline mixture for fuel (see the chapter on "Fuel" of your instruction manual).

#### **Warning!**



Gasoline is an extremely flammable fuel. If spilled and ignited by a spark or other ignition source, it can cause fire and serious burn injury or property damage. Use extreme caution when handling gasoline or fuel mix. Do not smoke or bring any fire or flame near the fuel or the power tool. Note that combustible fuel vapor may escape from the fuel system.

#### **Warning!**

Fuel your power tool in well-ventilated areas, outdoors. Always shut off the engine and allow it to cool before refueling. Gasoline vapor pressure may build up inside the fuel tank depending on the fuel used, the weather conditions and the tank venting system.

In order to reduce the risk of burns and other personal injury from escaping gas vapor, remove the fuel filler cap on your power tool carefully so as to allow any pressure build-up in the tank to release slowly. Never remove the fuel filler cap while the engine is running.

Select bare ground for fueling and move at least 10 feet (3 m) from the fueling spot before starting the engine. Wipe off any spilled fuel before starting your machine.

#### **Warning!**

Check for fuel leakage while refueling and during operation. If fuel leakage is found, do not start or run the engine until the leak is fixed and any spilled fuel has been wiped away. Take care not to get fuel on your clothing. If this happens, change your clothing immediately.

Different models may be equipped with different fuel caps.

### Cap with grip

#### **Warning!**

In order to reduce the risk of fuel spillage and fire from an improperly tightened fuel cap, correctly position and tighten the fuel cap in the fuel tank opening.



To do this with this STIHL cap, raise the grip on the top of the cap until it is upright at a 90° angle.

Insert the cap in the fuel tank opening with the triangular marks on the grip of the cap and on the fuel tank opening lining up. Using the grip, turn the cap firmly clockwise as far as it will go (approx. a quarter turn).



Fold the grip flush with the top of the cap. If the grip does not lie completely flush with the cap and the detent on the grip does not fit in the

corresponding recess in the filler neck, the cap is not properly seated and you must repeat the above steps.

### Screw cap

#### **Warning!**



Unit vibrations can cause an improperly tightened fuel filler cap to loosen or come off and spill quantities of fuel. In order to reduce the risk of fuel spillage and fire, tighten the fuel filler cap by hand as securely as possible.

### Before Starting

#### **Warning!**

Always check your power tool for proper condition and operation before starting, particularly the throttle trigger, throttle trigger interlock, stop switch, cutting attachment, deflector and harness. The throttle trigger must move freely and always spring back to the idle position. Never attempt to modify the controls or safety devices. Never use a power tool that is damaged or not properly maintained.

#### **Warning!**

Do not attach any cutting attachment to a unit without proper installation of all required parts. Failure to use the proper parts may cause the blade or head to fly off and seriously injure the operator or bystanders.

#### **Warning!**

The cutting attachment must be properly tightened and in safe operating condition. Inspect for loose parts (nuts, screws, etc.) and for cracked or damaged heads or cracked, bent, warped or damaged blades. Replace damaged heads or blades before using the power tool. Always keep blades sharp.

Keep the handles clean and dry at all times; it is particularly important to keep them free of moisture, pitch, oil, grease or resin in order for you to maintain a firm grip and properly control your power tool.

#### **Warning!**

Check that the spark plug boot is securely mounted on the spark plug – a loose boot may cause arcing that could ignite combustible fumes and cause a fire.

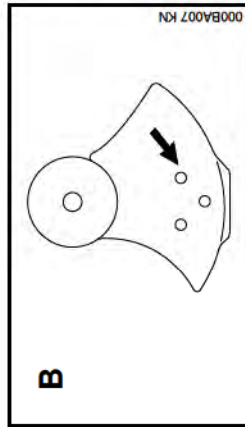
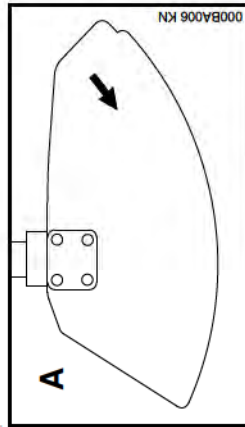
#### **Warning!**



To reduce the risk of personal injury to the operator from blade or line contact and thrown objects, make sure your unit is equipped with the proper deflector, handle and harness for the type of cutting attachment being used (see chart in the chapter on "Approved Combinations of Cutting Attachment, Deflector, Handle and Harness").

As can be seen in that chart, some cutting attachments may require you to change your deflector, handle and/or harness.

Keep the deflector (and the attached skirt where appropriate) adjusted properly at all times (see chapters on "Mounting the Deflector" and "Mounting the Cutting Attachments" of your instruction manual).



Arrows on the deflector (A) and limit stop (B) (as seen from the underside) show the correct direction of rotation of the cutting attachment. When viewed from above, however, the cutting attachment rotates counterclockwise.

Adjust carrying harness and hand grip to suit your size before starting work. The machine should be properly balanced as specified in your instruction manual for proper control and less fatigue in operation. To be better prepared in case of an emergency, practice releasing the unit from the harness as quickly as possible.

### Starting

Start the engine at least 10 feet (3 meters) from the fueling spot, outdoors only.

For specific starting instructions, see the appropriate section of your manual. Place the power tool on firm ground or other solid surface in an open area. Maintain good balance and secure footing.

#### ⚠ Warning!

To reduce the risk of injury from blade or line contact, be absolutely sure that the cutting attachment is clear of you and all other obstructions and objects, including the ground, because when the engine starts at starting-throttle, engine speed will be fast enough for the clutch to engage and move the cutting attachment.

Once the engine has started, immediately blip the throttle trigger, which should release the starting throttle and allow the engine to slow down to idle.

With the engine running only at idle, attach the power tool to the spring hook of your harness (see appropriate chapter of this manual).

#### ⚠ Warning!

Your power tool is a one-person machine. Do not allow other persons in the general work area, even when starting.

#### ⚠ Warning!

To reduce the risk of injury from loss of control, do not attempt to "drop start" your power tool.

#### ⚠ Warning!

When you pull the starter grip, do not wrap the starter rope around your hand. Do not let the grip snap back, but guide the starter rope to rewind it properly. Failure to follow this procedure may result in injury to your hand or fingers and may damage the starter mechanism.

### Important Adjustments

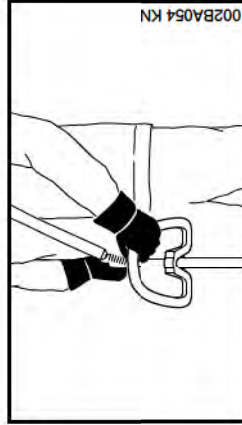
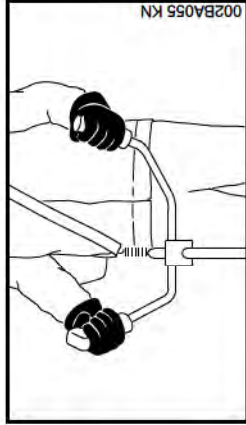
#### ⚠ Warning!

To reduce the risk of personal injury from loss of control or contact with the running cutting attachment, do not use your unit with incorrect idle adjustment. At correct idle speed, the cutting attachment should not move. For directions on how to adjust idle speed, see the appropriate section of your instruction manual.

If you cannot set the correct idle speed, have your STIHL dealer check your power tool and make proper adjustments and repairs.

### During Operation

Holding and controlling the power tool



Always hold the unit firmly with both hands on the handles while you are working. Wrap your fingers and thumbs around the handles.

### ⚠ Warning!

Never attempt to operate your power tool with one hand. Loss of control of the power tool resulting in serious or fatal injury may result. To reduce the risk of cut injuries, keep hands and feet away from the cutting attachment. Never touch a moving cutting attachment with your hand or any other part of your body.



### ⚠ Warning!

Do not overreach. Keep proper footing and balance at all times. Special care must be taken in slippery conditions (wet ground, snow) and in difficult, overgrown terrain. Watch for hidden obstacles such as tree stumps, roots and ditches to avoid stumbling. For better footing, clear away scrub and cuttings. Be extremely cautious when working on slopes or uneven ground.

### ⚠ Warning

To reduce the risk of injury from loss of control, never work on a ladder or on any other insecure support. Never hold the cutting attachment above waist height.

### Working conditions

Operate and start your power tool only outdoors in a well ventilated area. Operate it under good visibility and daylight conditions only. Work carefully.

### ⚠ Warning!



As soon as the engine is running, this product generates toxic exhaust fumes containing chemicals such as unburned hydrocarbons

(including benzene) and carbon monoxide that are known to cause respiratory problems, cancer, birth defects, or other reproductive harm. Some of the gases (e.g. carbon monoxide) may be colorless and odorless. To reduce the risk of serious or fatal injury/illness from inhaling toxic fumes, never run the machine indoors or in poorly ventilated locations.

### ⚠ Warning!

If the vegetation being cut or the surrounding ground is coated with a chemical substance (such as an active pesticide or herbicide), read and follow the instructions and warnings that accompanied the substance at issue.

**⚠ Warning!**

Inhalation of certain dusts, especially organic dusts such as mold or pollen, can cause susceptible persons to have an allergic or asthmatic reaction. Substantial or repeated inhalation of dust and other airborne contaminants, in particular those with a smaller particle size, may cause respiratory or other illnesses. Control dust at the source where possible. Use good work practices, such as operating the unit so that the wind or operating process directs any dust raised by the power tool away from the operator. Follow the recommendations of EPA/OSHA/NIOSH and occupational and trade associations with respect to dust ("particulate matter"). When the inhalation of dust cannot be substantially controlled, i.e., kept at or near the ambient (background) level, the operator and any bystanders should wear a respirator approved by NIOSH/MSHA for the type of dust encountered.

**Operating instructions**

**⚠ Warning!**

Do not operate your power tool using the starting throttle lock, as you do not have control of the engine speed.

In the event of an emergency, shut off the engine immediately – move the slide control / stop switch to **0** or **STOP**.

**⚠ Warning!**

The cutting attachment continues to rotate for a short period after the throttle trigger is released (flywheel effect).



**⚠ Warning!**

The rotating cutting attachment may fling foreign objects directly or by ricochet a great distance.



To reduce the risk of eye and other injury always wear proper eye protection (see the chapter on "Proper Clothing") and ensure that bystanders are at least 50 feet (15 m) away. To reduce the risk of damage to property, also maintain this distance from such objects as vehicles or windows. Any coworkers who must be in the restricted area should also wear goggles or protective glasses. Stop the engine immediately if you are approached.

**⚠ Warning!**



Before you start work, examine the area for stones, glass, fence wire, metal, trash or other solid objects. The cutting attachment could throw objects of this kind.

**⚠ Warning!**

This trimmer/brushcutter is normally to be used at ground level with the cutting attachment parallel to the ground. Use of a trimmer/brushcutter above ground level or with the cutting attachment perpendicular to the ground may increase the risk of injury, since the cutting attachment is more fully exposed and the power tool may be more difficult to control.

**⚠ Warning!**

During cutting, check the tightness and the condition of the cutting attachment at regular short intervals with the engine and attachment stopped. If the behavior of the attachment changes during use, stop the engine immediately, wait until the cutting attachment stops, and check the nut securing the attachment for tightness and the blade or head for cracks, wear and damage.

**⚠ Warning!**

A loose blade or head may vibrate, crack, break or come off the trimmer/brushcutter, which may result in serious or fatal injury. Make sure that the cutting attachment is properly tightened. Use the wrench supplied or one of sufficient length to obtain the proper torque. If the blade or head loosens after being properly tightened, stop work immediately. The retaining nut may be worn or damaged and should be replaced. If the blade or head continues to loosen, see your STIHL dealer. Never use a trimmer/brushcutter with a loose cutting attachment.

**⚠ Warning!**

Replace a cracked, damaged or worn-out head or a cracked, bent, warped, damaged, dull or worn out blade immediately, even if damage is limited to superficial cracks. Such attachments may shatter at high speed and cause serious or fatal injury.

**⚠ Warning!**

When using rigid blades, avoid cutting close to fences, sides of buildings, tree trunks, stones or other such objects that could cause the power tool to kick out or could cause damage to the blade. STIHL recommends use of the nylon line heads for such jobs. In addition, be alert to an increased possibility of ricochets in such situations.

**⚠ Warning!**

If the head, blade or deflector becomes clogged or stuck, always shut off the engine and make sure the cutting attachment has stopped before cleaning. Grass, weeds, etc. should be cleaned off the blade or from around the head at regular intervals.

**⚠ Warning!**

To reduce the risk of unintentional rotation of the cutting attachment and injury, always shut off the engine and remove the spark plug boot before replacing the cutting attachment. To reduce the risk of injury, always shut off the engine before adjusting the length of the nylon line on manually adjustable mowing heads.

**⚠ Warning!**

The gearbox becomes hot during operation. To reduce the risk of burn injury, do not touch the gear housing when it is hot.

**⚠ Warning!**

The muffler and other parts of the engine (e.g. fins of the cylinder, spark plug) become hot during operation and remain hot for a while after stopping the engine. To reduce risk of burns do not touch the muffler and other parts while they are hot.

**⚠ Warning!**

To reduce the risk of fire and burn injury, keep the area around the muffler clean. Remove excess lubricant and all debris such as pine needles, branches or leaves. Let the engine cool down sitting on concrete, metal, bare ground or solid wood away from any combustible substances.

**⚠ Warning!**

Never modify your muffler. The muffler could be damaged and cause an increase in heat radiation or sparks, thereby increasing the risk of fire and burn injury. You may also permanently damage the engine. Have your muffler serviced and repaired by your STIHL servicing dealer only.

**Catalytic converter**

**⚠ Warning!**



Some STIHL power tools are equipped with a catalytic converter, which is designed to reduce the exhaust emissions of the engine by a chemical process in the muffler. Due to this process, the muffler does not cool down as rapidly as conventional mufflers when the engine returns to idle or is shut off. To reduce the risk of fire and burn injuries, the following specific safety precautions must be observed.

**⚠ Warning!**

Since a muffler with a catalytic converter cools down less rapidly than conventional mufflers, always set your power tool down in the upright position and never locate it where the muffler is near dry brush, grass, wood chips or other combustible materials while it is still hot.

**⚠ Warning!**

An improperly mounted or damaged cylinder housing or a damaged/deformed muffler shell may interfere with the cooling process of the catalytic converter. To reduce the risk of fire or burn injury, do not continue work with a damaged or improperly mounted cylinder housing or a damaged/deformed muffler shell.

Your catalytic converter is furnished with screens designed to reduce the risk of fire from the emission of hot particles. Due to the heat from the catalytic reaction, these screens will normally stay clean and need no service or maintenance. If you experience loss of performance and you suspect a clogged screen, have your muffler maintained by a STIHL servicing dealer.

## USING THE CUTTING ATTACHMENTS

For an illustration of the various cutting attachments and instructions on proper mounting see the chapter on "Mounting the Cutting Attachments" in your instruction manual.

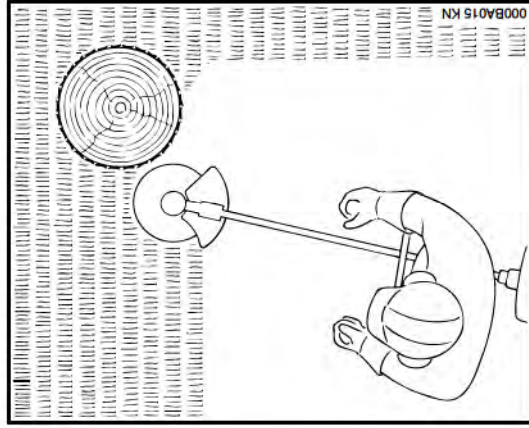
### **⚠ Warning!**

To reduce the risk of severe or fatal injury from blade contact and/or loss of control, never attempt to use a metal blade on an FS model for which it is not authorized.

## Using the Mowing Heads

Do not use with mowing line longer than the intended length. With a properly mounted deflector, the built-in line-limiting blade will automatically adjust the line to its proper length.

Using the unit with an overly long nylon cutting line increases the load on the engine and reduces its operating speed. This causes the clutch to slip continuously and results in overheating and damage to important components (e.g. clutch, polymer housing components). Such damage could, among other things, cause the cutting attachment to rotate at idle.



Mowing heads are to be used only on trimmer/brushcutters equipped with a line-limiting blade in the deflector in order to keep the line at the proper length (see "Parts and Controls" chapter in your instruction manual).

If the lawn edges are planted with trees or bordered by a fence etc., it is best to use a nylon line head. It achieves a "softer" cut with less risk of damaging tree bark etc. than polymer blades.

However, the polymer-bladed STIHL PolyCut produces a better cut if there are no plants along the edge of the lawn. Sharpening is not necessary, and worn polymer blades are easily replaced.

### **⚠ Warning!**

To reduce the risk of serious injury, never use wire or metal-reinforced line or other material in place of the nylon cutting lines. Pieces of wire could break off and be thrown at high speed toward the operator or bystanders.

## STIHL SuperCut mowing head

Fresh line is advanced automatically. Frayed line is replaced by a simple adjustment (see instruction sheet supplied with mowing head).

## STIHL TrimCut mowing head

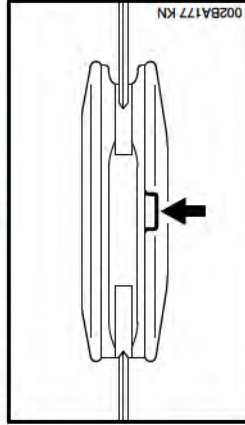
Frayed line is replaced by a simple adjustment (see instruction sheet supplied with mowing head).

## STIHL AUTOCUT mowing head

Nylon cutting cord advances automatically when tapped against the ground (TapAction).



### STIHL PolyCut mowing head



Uses either nylon lines or nonrigid, pivoting polymer blades.

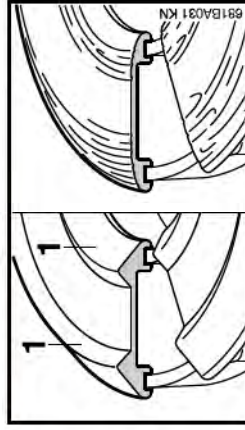
#### **Warning!**

Three rectangular wear limit marks are applied to the base (periphery) of the PolyCut. To reduce the risk of serious injury from breakage of the head or blades, the PolyCut must not be used when it has worn as far as one of these marks. It is important to follow the maintenance instructions supplied with the head.

### STIHL FixCut mowing head

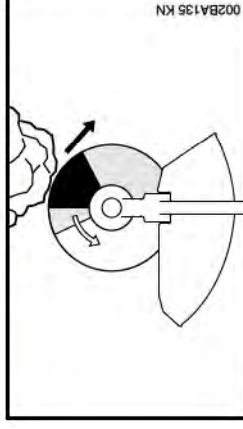
Uses pre-cut lengths of nylon line.

Observe wear indicators.



Do not continue using the mowing head if the raised moldings (1) on the base are missing or worn – see right illustration above. The mowing head may otherwise shatter and flying objects could result in injury to the operator or bystanders. Install a new mowing head.

### Risk of Kickout (Blade Thrust) with All Rigid Cutting Blades

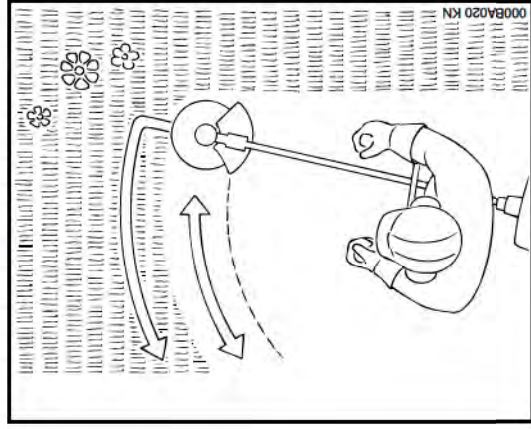


#### **Warning!**

Kickout (blade thrust) is the sudden and uncontrolled motion towards the operator's right or rear that can occur when the shaded area (especially the darkly shaded area) of a rotating blade comes in contact with a solid rigid object like a tree, rock, bush or wall. The rapid counterclockwise rotation of the blade may be stopped or slowed, and the cutting attachment may be thrown to the right or to the rear.

This kickout (blade thrust) may cause loss of control of the power tool and may result in serious or fatal injury to the operator or bystanders. To reduce the risk of injury, extreme caution should be used when cutting with the shaded area of any rigid blade.

### Using the Grass Cutting Blade



All kinds of grass and weeds can be easily cut with the grass cutting blade. The power tool is swept in an arc similar to a scythe.

#### **⚠ Warning!**

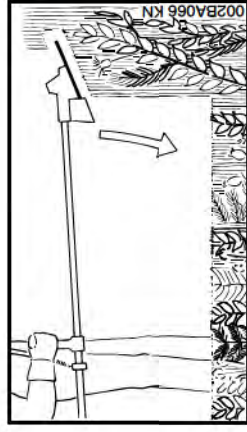
To reduce the risk of serious or fatal injury from blade breakage, never attempt to use this blade to cut woody materials.

The **4-tooth** grass cutting blade is intended to cut grass and weeds. It has 4 cutting knives with cutting edges on both sides, i.e. front and rear. When the cutting edges on one side become dull, the blade can be turned over to utilize the cutting edges on the other side.

The **8-tooth** grass cutting blade is recommended for cutting fern or reed. Both types of grass cutting blade have to be resharpened when all cutting edges are dull.

### Using the Brush Knife

When fitted to the power tool, the brush knife is suitable for applications ranging from cutting matted grass to clearing weeds, wild growth and scrub.



To cut wild growth and scrub, lower the rotating brush knife down onto the growth to achieve a chopping effect – but keep the tool below waist height at all times.

#### **⚠ Warning!**

Exercise **extreme caution** when using this method of cutting. The higher the cutting attachment is off the ground, the greater the risk of loss of control and of cuttings being thrown sideways.

Use the power tool like a scythe to cut grass, i.e. sweep it to and fro in an arc.

#### **⚠ Warning!**

When cutting woody materials, use the left side of the blade to avoid "kickout" (blade thrust) situations.

#### **⚠ Warning!**

Improper use of a brush knife may cause it to crack, chip or shatter. Thrown blade fragments may seriously or fatally injure the operator or bystanders. To reduce the risk of injury, avoid contact with hard or solid foreign objects such as stones, rocks or pieces of metal.

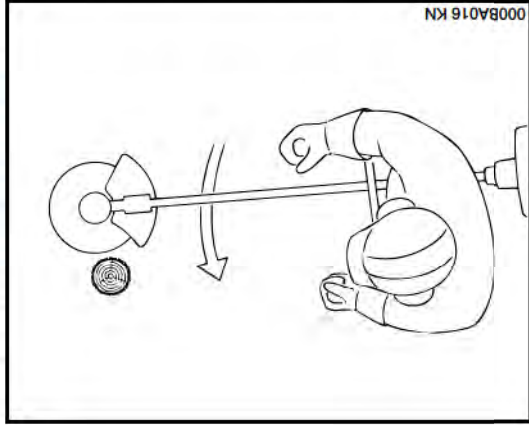
#### **⚠ Warning!**

When cutting young saplings or other woody materials up to 2 cm (3/4") in diameter, use the left side of the blade to avoid "kickout" situations (see section on "Risk of kickout (blade thrust) with all rigid cutting blades"). Do not attempt to cut woody material with a larger diameter, since the blade may catch or jerk the power tool forward. This may cause damage to the blade or power tool or loss of control of the power tool, resulting in personal injury. Use a circular saw blade for such work.

#### **⚠ Warning!**

Inspect the brush knife at regular short intervals for signs of damage. Do not continue working with a damaged brush knife. Resharpen the brush knife regularly (when it has dulled noticeably).

### Using the Circular Saw Blade



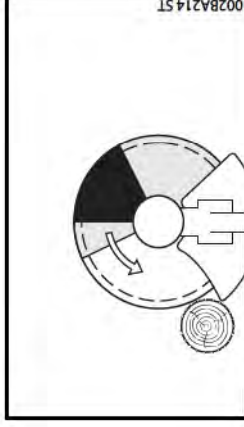
Circular saw blades are suitable for thinning brush and cutting small trees up to a diameter of 4 cm (1 1/2"). Do not attempt to cut trees with larger diameters, since the blade may catch or jerk the trimmer/brushcutter forward. This may cause damage to the blade or loss of control of the power tool and result in serious injury. Use a chain saw for such work.

### ⚠ Warning!

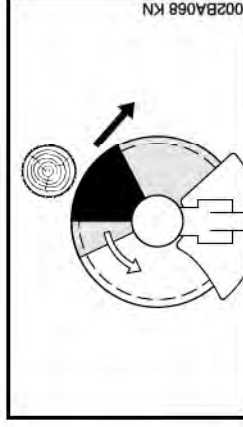
To reduce the risk that the blade will crack and/or break, avoid all contact with stones, rocks or the ground. Sharpen blades in a timely manner as specified – dull teeth may cause the blade to crack or shatter.

When a trimmer/brushcutter with a circular saw blade is used to cut down small trees, STIHL recommends that the standard deflector be removed and replaced by the special limit stop deflector (see chapter on "Mounting the Deflector"). This limit stop helps to keep the unit positioned against the tree during the cutting process.

Inexperienced users should place the left side of the stop against the tree trunk before beginning to cut. This will keep the trimmer/brushcutter against the tree during the cutting operation and will reduce the risk of loss of control and possible kickout (described above and briefly again below).



Before starting the cut, accelerate the engine up to full throttle. Perform cut with uniform pressure. STIHL recommends that the circular saw blade be applied to the right of the tree, using the non-shaded area of the blade, as shown in the illustration above.



**⚠ Warning!**

The risk of kickout is highest when cutting in the darker shaded area. To reduce the risk of kickout and resulting injury, do not use this area of the circular saw blade for cutting trees or shrubs. Special techniques using the lighter shaded areas of the blade to cut shrubs and trees should only be used by experienced operators with specialized training in the use and control of the trimmer/brushcutter.

**⚠ Warning!**

To reduce the risk of loss of control and serious injury to the operator or bystanders by a kickout, never use a circular saw blade on a trimmer/brushcutter with a loop handle, but rather only on one with a bicycle handle.

When felling small trees, maintain a distance of at least two tree lengths from the nearest coworker.

**⚠ Warning!**

In order to reduce the risk of injury from thrown objects or operator contact with the blade or head, be sure to remount the standard deflector when no longer using a circular saw blade.

**MAINTENANCE, REPAIR AND STORING**

**Maintenance, replacement, or repair of the emission control devices and systems may be performed by any nonroad engine repair establishment or individual. However, if you make a warranty claim for a component which has not been serviced or maintained properly or if nonapproved replacement parts were used, STIHL may deny coverage.**

**⚠ Warning!**

Use only identical STIHL replacement parts for maintenance and repair. Use of non-STIHL parts may cause serious or fatal injury.

Strictly follow the maintenance and repair instructions in the appropriate sections of your instruction manual.

**⚠ Warning!**

Always stop the engine and make sure that the cutting attachment is stopped before doing any maintenance or repair work or cleaning the power tool. Do not attempt any maintenance or repair work not described in your instruction manual. Have such work performed by your STIHL servicing dealer only.

Wear gloves when handling or performing maintenance on blades.

**⚠ Warning!**


Use the specified spark plug, and make sure it and the ignition lead are always clean and in good condition. Always press spark plug boot snugly onto spark plug terminal of the proper size. (Note: If terminal has detachable SAE adapter nut, it must be securely attached.) A loose connection between the spark plug and the ignition wire connector in the boot may create arcing that could ignite combustible fumes and cause a fire.

**⚠ Warning!**

Never test the ignition system with the spark plug boot removed from the spark plug or with a removed spark plug, since uncontained sparking may cause a fire.

**⚠ Warning!**

Do not operate your power tool if the muffler is damaged, missing or modified. An improperly maintained muffler will increase the risk of fire and hearing loss. If your muffler was equipped with a spark-arresting screen to reduce the risk of fire, never operate your power tool if the screen is missing or damaged. Remember that the risk of forest fires is greater in hot or dry weather.

 **Warning!**

Never repair damaged cutting attachments by welding, straightening or modifying the shape. This may cause parts of the cutting attachment to come off and result in serious or fatal injuries.

Keep blades sharp. Tighten all nuts, bolts and screws, except the carburetor adjustment screws, after each use.

Store the power tool in a dry and high or locked location out of reach of children.

Before storing for longer than a few days, always empty the fuel tank. See chapter "Storing the Machine" in the instruction manual.

## Approved Combinations of Cutting Tool, Deflector, Handle and Harness

### Cutting Tools

- 1 STIHL SuperCut 20-2
- 2 STIHL AutoCut 25-2
- 3 STIHL AutoCut 30-2
- 4 STIHL TrimCut 30-2
- 5 STIHL PolyCut 20-3
- 6 STIHL FixCut 25-2
- 7 Grass cutting blade 230-4
- 8 Grass cutting blade 230-8
- 9 Brush knife 250
- 10 Scratcher tooth circular saw blade 200
- 11 Chisel tooth circular saw blade 200

Grass cutting blades, brush knives and circular saw blades made of any other non-metal material are not permitted.

### Deflectors

- 12 Deflector for mowing heads **only**
- 13 Deflector **with**
- 14 Skirt and blade for all mowing heads (see 'Mounting the Deflector')
- 15 Deflector **without** skirt and blade for all metal mowing tools and brush knife
- 16 Limit stop for circular saw blades

### Handles

- 17 Loop handle
- 18 Loop handle **with**
- 19 Barrier bar
- 20 Bike handle

### Harnesses

- 21 Shoulder strap may be used
- 22 Shoulder strap must be used
- 23 Full harness may be used
- 24 Full harness must be used

### Equipment

Among other parts, the complete unit includes:

- Cutting tool
- Deflector
- Handle
- Harness (bike handle unit only)

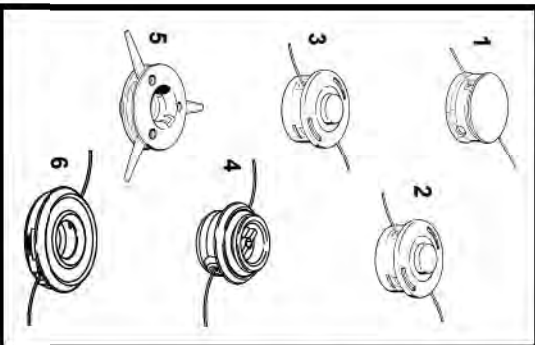
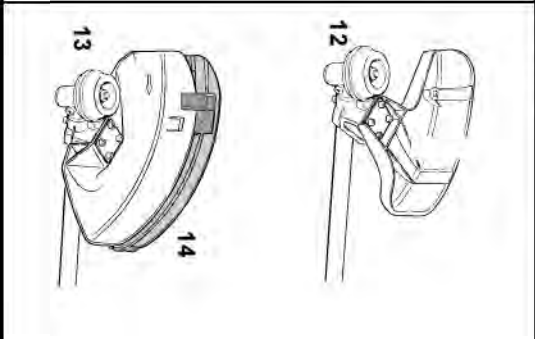
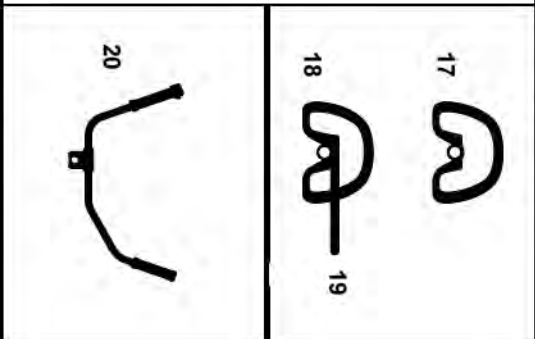
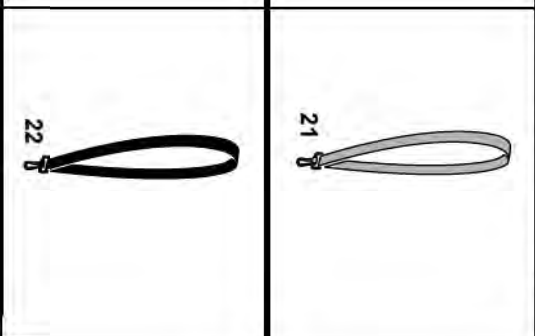
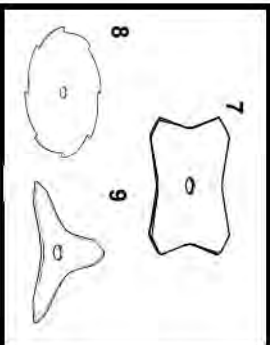
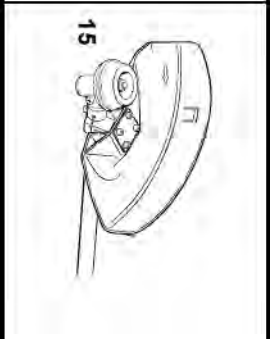
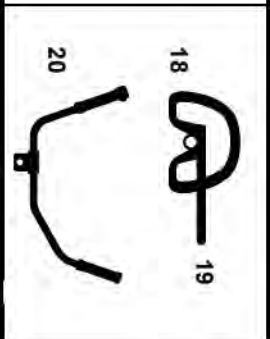
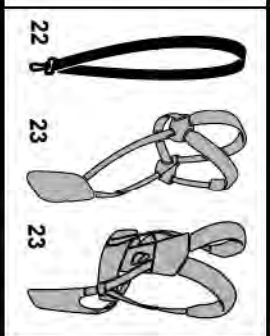
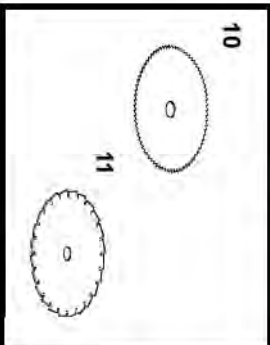
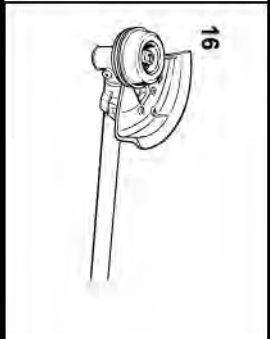
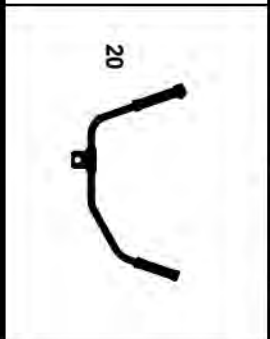

Select the correct combination from the table according to the cutting tool you intend to use. Read the table horizontally from left to right. Other combinations, e.g. reading the table diagonally, are not permitted.

### ⚠ Warning!

To reduce the risk of injury from thrown objects and blade contact, never operate your unit without the proper deflector for the cutting attachment being used. To reduce the risk of injury from loss of control and / or contact with the cutting tool, make sure your unit is equipped with a proper handle and harness for the type of cutting attachment being used.

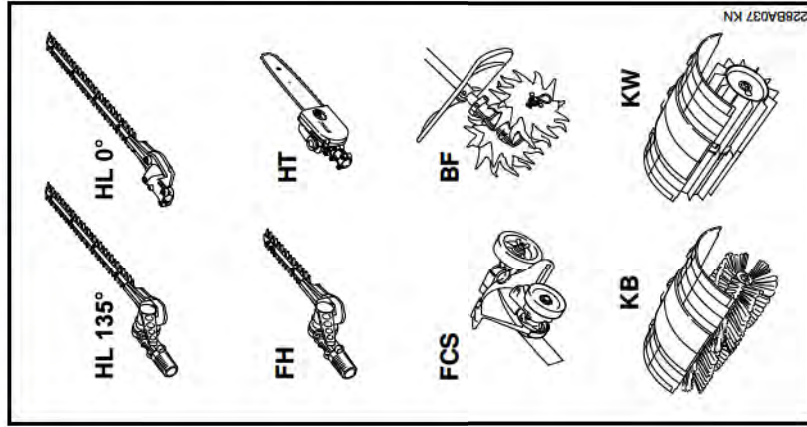
### ⚠ Warning!

STIHL brushcutters with a loop handle without barrier bar may be used only with the above mentioned mowing head with nylon line or plastic blades. Other plastic or metal cutting tools, but not circular saw blades, may be used only on brushcutters with a bike handle or loop handle with barrier bar in order to reduce the risk of personal injury through contact with the cutting tool. To reduce the risk of serious injury to the operator or bystanders by kickout, never use a circular saw blade on a brushcutter with a loop handle. Circular saw blades may be used only on brushcutters with a bike handle.

Cutting tool	Deflector	Handle	Harness / Shoulder Strap
 <p>1, 2, 3, 4, 5, 6</p>	 <p>12, 13, 14</p>	 <p>17, 18, 19, 20</p>	 <p>21, 22</p>
 <p>7, 8, 9</p>	 <p>15</p>	 <p>18, 19, 20</p>	 <p>22, 23</p>
 <p>10, 11</p>	 <p>16</p>	 <p>20</p>	 <p>24</p>

## Approved Power Tool Attachments

The following STIHL attachments may be mounted to the basic power tool:

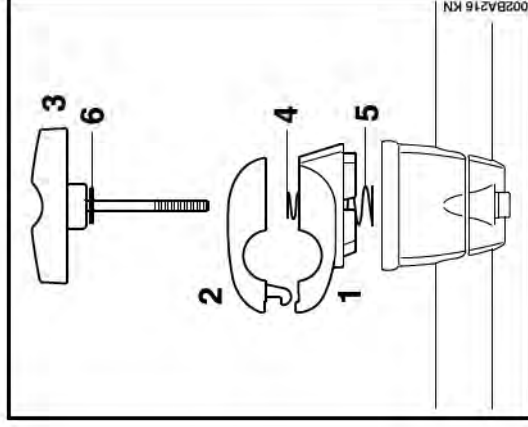


STIHL power tool attachments are available for converting the single purpose FS unit into other power tool combinations.

Attachment	Application
BF <sup>1)</sup>	Cultivator
FCS <sup>2)3)</sup>	Power Edger
FH <sup>1)</sup>	Power Scythe
HL 0° <sup>2)</sup>	Hedge Trimmer
HL 135° <sup>1)2)</sup>	Hedge Trimmer (adjustable)
HT <sup>2)</sup>	Pole Pruner
KB (4601) <sup>2)</sup>	Bristle Brush
KW (4601) <sup>2)</sup>	PowerSweep
KW (4602) <sup>2)</sup>	PowerSweep

- 1) **Barrier bar** must be fitted on the loop handle
- 2) Not approved for use with bike-handled units
- 3) It is not necessary to use a shoulder strap

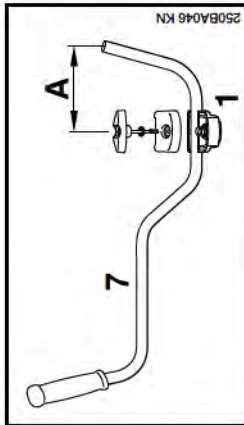
## Mounting the Bike Handle



### Removing Clamp Moldings

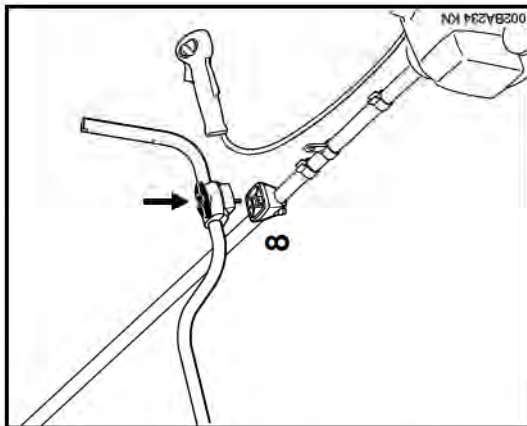
- Hold the lower clamp (1) and upper clamp (2) firmly.
- Release the wing screw (3).
- The clamps are loose once the wing screw has been released. They are pushed apart by the two springs (4 and 5).
- Pull out the wing screw.
- Washer (6) remain at the tommy screw.
- Separate the clamps.
- Springs (4) and (5) remain in the lower clamp.



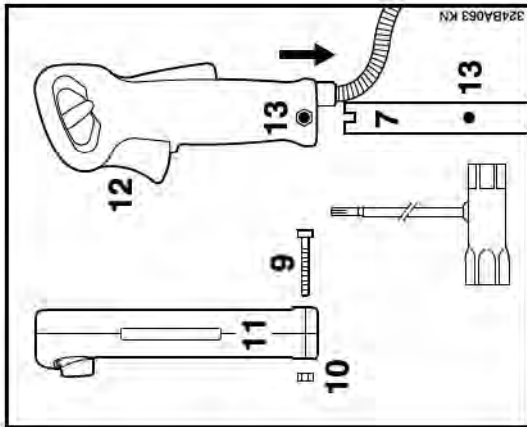


### Mounting the Handlebar

- Place the handlebar (7) in the lower clamp (1) so that distance A is no more than 6 in (15 cm).
- Place the upper clamp in position and hold both clamps together.
- Push the wing screw, with washer, through the two clamps as far as stop – hold all parts together and secure them.



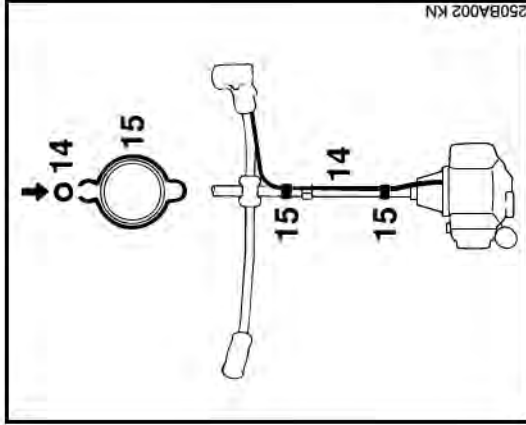
- Place the secured assembly on the handle support (8) with the wing screw at the engine side.
- Push the wing screw into the handle support as far as stop and then screw it down – but do not finally tighten yet.
- Line up the handlebar at a right angle to the drive tube – check dimension A again.
- Tighten down the wing screw firmly



### Mounting the Control Handle

- Loosen the screw (9). The nut (10) remains in the control handle (11).
- Push the control handle – throttle trigger (12) must point toward the gearbox – onto the handlebar (7) so that the holes (13) line up.
- Insert screw and tighten down firmly.

## Mounting the Loop Handle



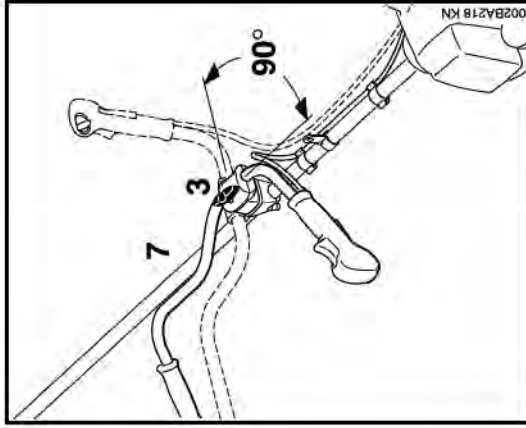
### Fitting the Throttle Cable

Do not kink the throttle cable or lay it in tight radii – make sure the throttle trigger moves freely.

- Press the throttle cable (14) into the retainers (15).

### Throttle Cable Adjustment

- Go to chapter "Adjusting the Throttle Cable".



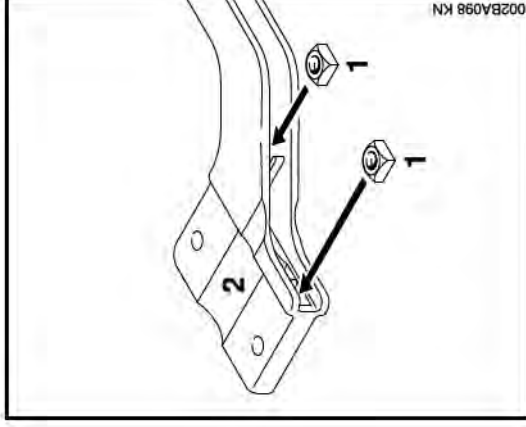
### Swiveling the Handlebar

#### Transport position:

- Release the wing screw (3) and unscrew it until the handlebar (7) can be turned clockwise.
- Turn the handlebar 90° and then swing the handles down.
- Tighten down the wing screw firmly.

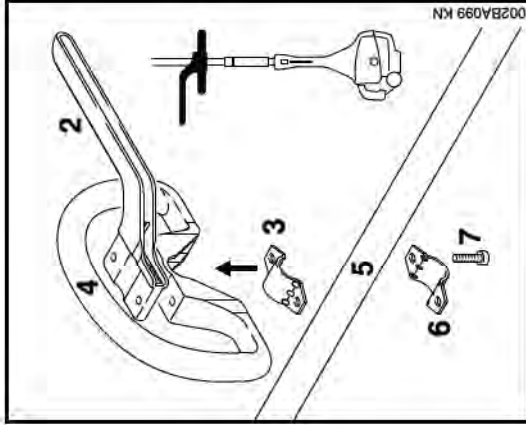
#### Working position:

- Reverse the sequence described above to swing the handles up and turn the handlebar counter-clockwise.

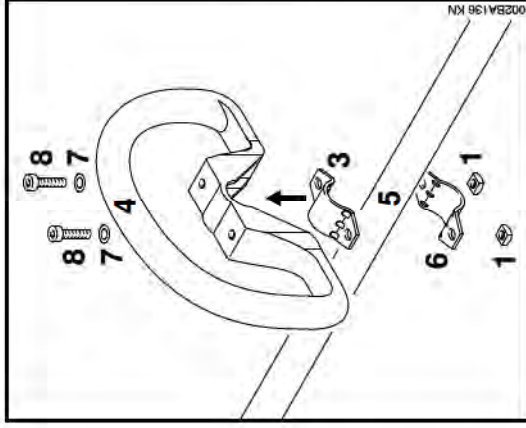


### Loop handle with barrier bar

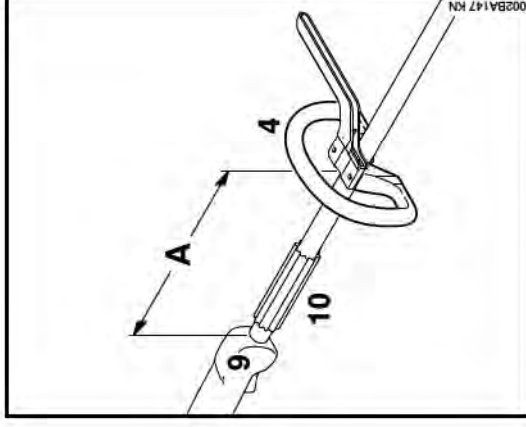
- Insert square nuts (1) in the barrier bar (2).
- Line up the holes.



- Place the clamp (3) in the loop handle (4) and position them both against the drive tube (5).
- Fit the clamp (6) and place the barrier bar (2) in position. Note correct position.
- Line up the holes.
- Insert screws (7) in holes and screw them into the barrier bar as far as stop.
- Go to "Securing the loop handle".



- Place the clamp (3) in the loop handle (4) and position them both against the drive tube (5).
- Fit the clamp (6) and line up the holes.
- Fit washers (7) on screws (8).
- Insert screws (8) in holes and screw on the square nuts (1) as far as stop.
- Go to "Securing the loop handle".




### Securing the loop handle

- Secure the loop handle (4) approx. 8"/20cm (A) forward of the control handle (9).
- Line up the loop handle.
- Tighten down the screws firmly – lock the nuts if necessary.

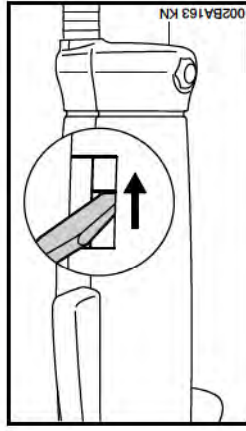
10= Sleeve\*

\* see "Guide to Using this Manual"

## Adjusting the Throttle Cable

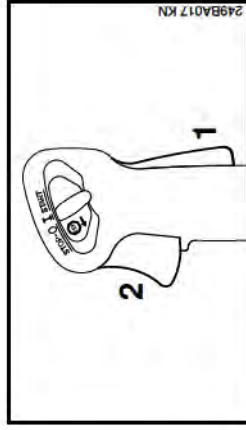
 A properly adjusted throttle cable is the precondition for correct operation in the full throttle, starting throttle and idle positions.

Adjust the throttle cable only after the unit is fully assembled – the control handle must be in the normal operating position.

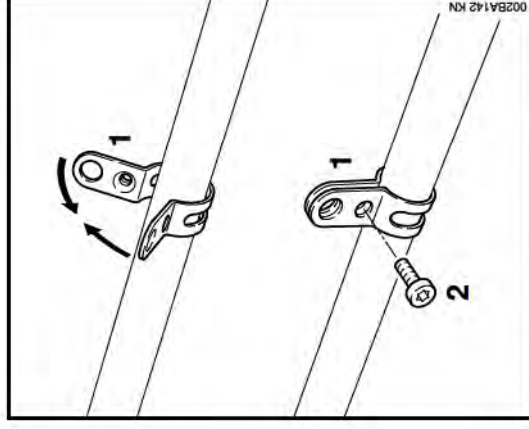


- Use a suitable tool to push the slide to the bottom of the slot (see illustration).

## Fitting the Carrying Eye



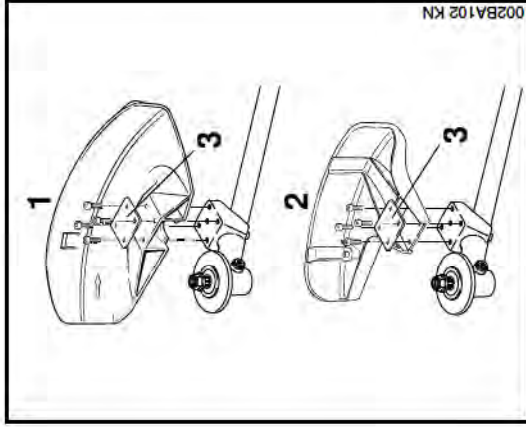
- Press down the trigger interlock (1) and squeeze the throttle trigger (2) (full throttle) – this sets the throttle cable correctly.



- For position of carrying eye<sup>1)</sup> see "Parts and Controls"
- Place the clamp (1) with the **tapped hole on the left-hand side** of the drive tube.
- Squeeze the two ends of the clamp together and hold in that position.
- Insert M 6 x 14 screw (2).
- Line up the carrying eye.
- Tighten down the screw firmly.

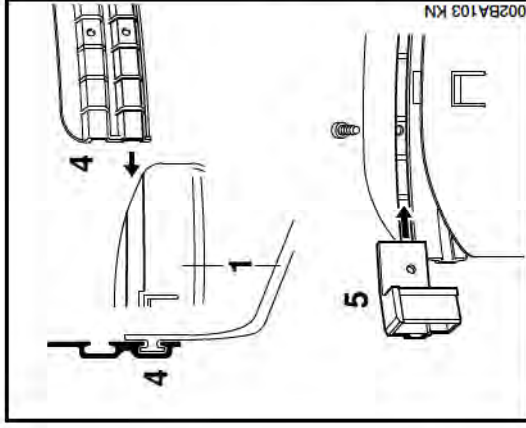
1) Included as standard or available as special accessory

## Mounting the Deflector



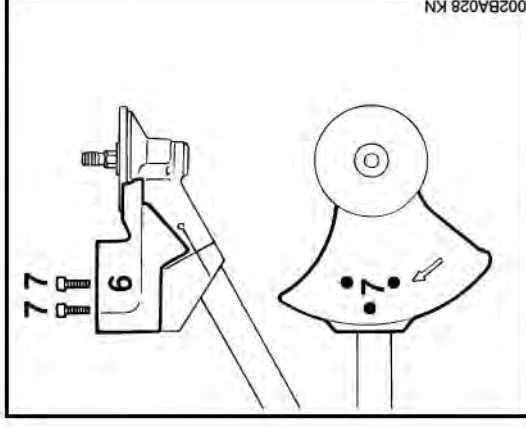
### Mounting the deflector

- 1 = Deflector approved for all cutting tools
- 2 = Deflector approved for use with mowing heads only
- Place the deflector on the gearhead.
- Fit the plate (3) and line it up.
- Insert M 5 x 18 screws and tighten down firmly.



### Fitting skirt and blade

- ⚠ These parts must be fitted to the deflector (1) when you use a mowing head:
  - Slide the **lower** guide slot of the skirt (4) onto the deflector (1) – it must snap into position.
  - Push the blade (5) into the **upper** guide slot on the skirt and line it up with the first hole.
  - Fit the screw and tighten it down firmly.



### Mounting the stop

- Always fit stop (6) when you use a circular saw blade.
- Place the stop on the gearhead flange.
- Fit the three M 5 x 18 screws (7) and tighten down securely.

## Mounting the Cutting Tools



### Preparations

- Lay your brushcutter on its back with the gearhead facing upward.

### Mounting Hardware for Cutting Tools

The mounting hardware supplied depends on the cutting tool that comes as original equipment with the new brushcutter.

### Mounting hardware is not packed with the machine

- ⚠ Only mowing heads may be mounted.

### Mounting hardware is packed with the machine

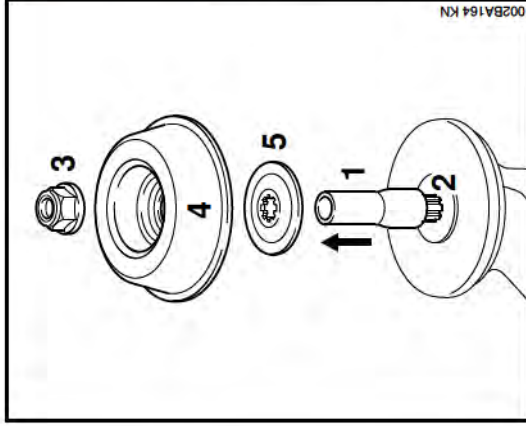
- ⚠ Mowing heads and metal cutting tools may be mounted.

### Mounting hardware is loose

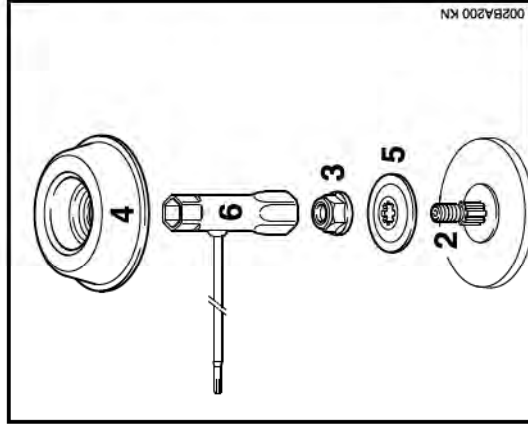
- Pull the hose (1) (protector for shipping) off the shaft (2).
- ⚠ The nut (3), rider plate (4) and thrust washer (5) are in the parts kit supplied with the machine.
- Go to "Mounting the Mowing Head" or "Mounting Metal Cutting Tools".

### Mounting hardware is secured to gearhead

- Go to "Removing Mounting Hardware"



- Pull the hose (1) (protector for shipping) off the shaft (2).
- Go to "Mounting the Mowing Head".
- ⚠ If you want to mount a metal cutting tool in place of a mowing head, you will need the following additional parts: Nut (3), rider plate (4) and thrust washer (5) (special accessories).

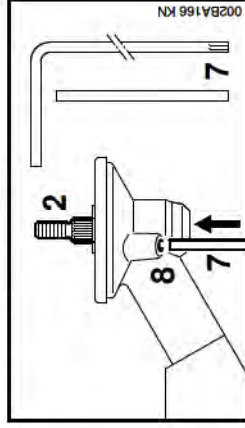


### Removing Mounting Hardware

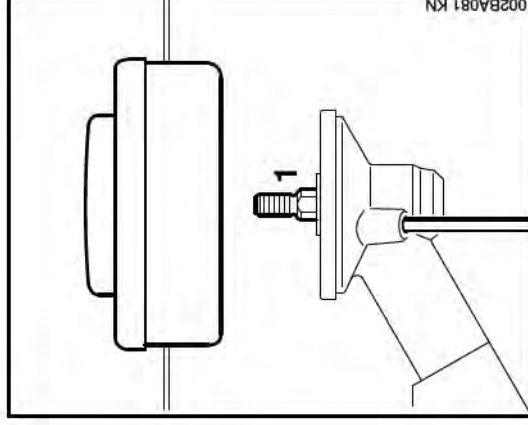
- Block the shaft – see next section on "Blocking the Output Shaft".
- Use the combination wrench (6) (supplied with machine or available as special accessory) to unscrew the nut (3) clockwise (left-hand thread) from the shaft (2).
- Pull the thrust washer (5) off the shaft (2).

- 💡 The rider plate (4) is in the parts kit supplied with the machine.
- Go to "Mounting the Mowing Head" or "Mounting Metal Cutting Tools".

### Blocking the Output Shaft



- Insert the stop pin or screwdriver (7) (supplied with machine or available as special accessories) in the hole (8) in the gearhead as far as stop – apply slight pressure.
- Rotate nut or cutting tool on the shaft (2) until the stop pin slips into position and blocks the shaft.



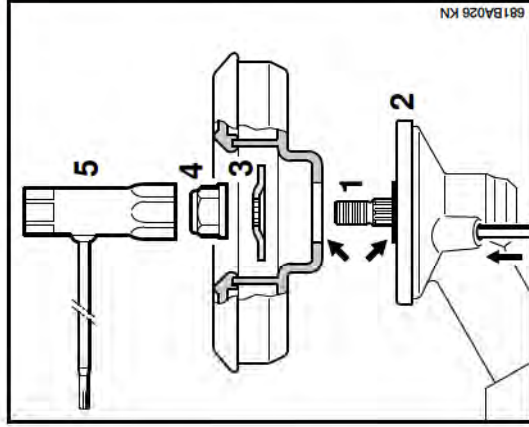
### Mounting the mowing head

Keep instruction sheet for mowing head in a safe place

- Screw the  
STIHL SuperCut 20-2,  
STIHL AutoCut 25-2, 30-2  
STIHL TrimCut 30-2 or  
STIHL PolyCut 20-3  
counterclockwise onto the shaft (1)  
as far as stop.
- Block the output shaft.
- Tighten down the mowing head.



Remove the stop pin.



#### STIHL FixCut 25-2

- Place the mowing head on the thrust plate (2)
- ⚠ Collar (see arrow) must locate in mowing head's mounting hole
- Push the thrust washer (3) over the shaft (1) so that it locates against the base.
- Block the output shaft.
- Screw the mounting nut (4) with the combination wrench (5) counterclockwise on to the output shaft and tighten down firmly
- ⚙ Remove the stop pin.

#### Removing the mowing head

- Block the output shaft.
- STIHL SuperCut 20-2,  
STIHL AutoCut 25-2, 30-2,  
STIHL TrimCut 30-2,  
STIHL PolyCut 20-3
- Unscrew the mowing head clockwise.
- #### STIHL FixCut 25-2
- Use the combination wrench to unscrew the mounting nut clockwise from the output shaft
  - ⚠ If the mounting nut is too loose, fit a new one

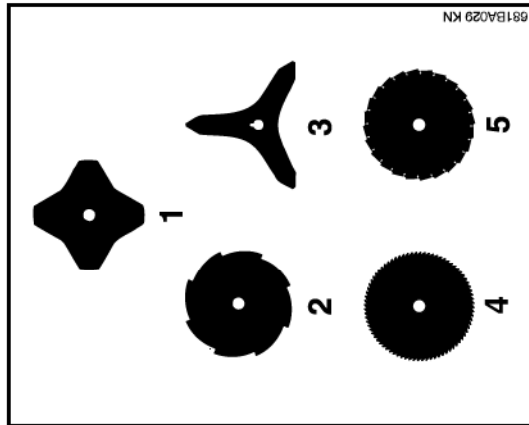
#### STIHL AutoCut

- Hold the rotating mowing head above the ground – tap it on the ground once – about 1 1/4" (3 cm) fresh line is advanced.
- The blade in the deflector trims surplus line to the correct length – avoid tapping head more than once at a time.
- Line feed operates only if **both** lines still have a minimum length of **1" (2.5 cm)**.
- #### All other mowing heads
- Refer to instructions supplied with the mowing head.
- ⚠ To reduce the risk of injury, always shut off the engine before adjusting the nylon line by hand.

#### Replacing nylon line or PolyCut blades

Refer to instructions supplied with the mowing head.

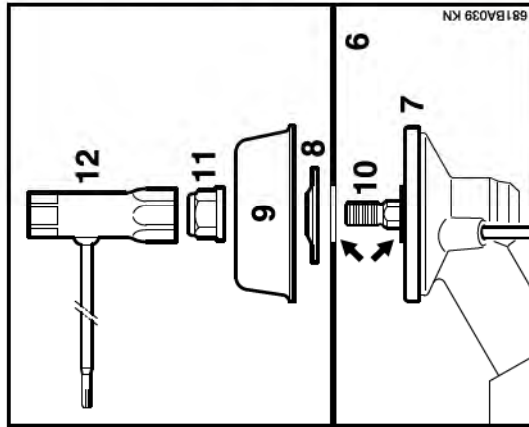




### Mounting Metal Cutting Tools

- Remove the skirt and blade from the mowing head deflector before mounting
- grass cutting blade 230-4 (1), grass cutting blade 230-8 (2), or brush knife (3) – see "Mounting the Deflector"

Fit the appropriate **limit stop** before mounting the circular saw blade 200 (4,5) – see "Mounting the Deflector".



- Place the cutting tool (6) on the thrust plate (7).

Collar (see arrows) must locate in cutting tool's mounting hole.

- Slip thrust washer (8) and rider plate (9) over the output shaft (10).
- Block the output shaft and
- Screw the mounting nut (11) with the combination wrench (12) onto the output shaft counterclockwise and tighten down firmly.

If the mounting nut is too loose, fit a new one.

### Removing cutting tool

- Block the output shaft.
- Unscrew the nut clockwise.
- Removing the cutting tool – do not remove the thrust plate (7).

- Lay your machine on its back with the gearhead facing upward. Cutting edges of (1) and (3) may point in either direction.

Cutting edges of (2), (4) and (5) must point clockwise.

Direction of rotation is marked by arrow on inside of cutting head deflector or limit stop.

## 4-MIX Engine

The **STIHL 4-MIX engine** features gas oil lubrication and must be run on a **fuel mixture** of gasoline and engine oil.

It operates otherwise on the 4-stroke principle.

## Fuel

This engine is certified to operate on unleaded gasoline and the STIHL two-stroke engine oil at a mix ratio of 50:1.

Your engine requires a mixture of high-quality gasoline and quality two-stroke air cooled engine oil.

Use mid-grade unleaded gasoline with a minimum octane rating of 89 (R+M/2). If the octane rating of the mid-grade gasoline in your area is lower, use premium unleaded fuel.

Fuel with a lower octane rating may increase engine temperatures. This, in turn, increases the risk of piston seizure and damage to the engine.

The chemical composition of the fuel is also important. Some fuel additives not only detrimentally affect elastomers (carburetor diaphragms, oil seals, fuel lines, etc.), but magnesium castings and catalytic converters as well. This could cause running problems or even damage the engine. For this reason STIHL recommends that you use only nationally recognized high-quality unleaded gasoline!

Use only STIHL two-stroke engine oil or equivalent high-quality two-stroke engine oils that are designed for use only in air cooled two-cycle engines.

We recommend STIHL 50:1 two-stroke engine oil since it is specially formulated for use in STIHL engines.

Do not use BIA or TCW rated (two-stroke water cooled) mix oils or other mix oils that state they are for use in both water cooled and air cooled engines (e.g., outboard motors, snowmobiles, chainsaws, mopeds, etc.).

Take care when handling gasoline.

Avoid direct contact with the skin and avoid inhaling fuel vapor. When filling at the pump, first remove the canister from your vehicle and place the canister on the ground before filling. Do not fill fuel canisters that are sitting in or on a vehicle.

The canister should be kept tightly closed in order to avoid any moisture getting into the mixture.

The machine's fuel tank and the canister in which fuel mix is stored should be cleaned as necessary.

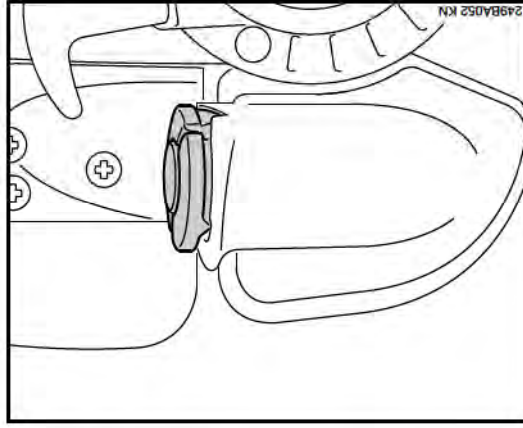
## Fueling

### Fuel mix ages

Only mix sufficient fuel for a few days work, not to exceed 3 months of storage. Store in approved fuel-canisters only. When mixing, pour oil into the canister first, and then add gasoline. Close the canister and shake it vigorously by hand to ensure proper mixing of the oil with the fuel.

Gasoline	Oil (STIHL 50:1 or equivalent high-quality oils)
US gal.	US fl.oz
1	2.6
2 1/2	6.4
5	12.8

Dispose of empty mixing-oil canisters only at authorized disposal locations.

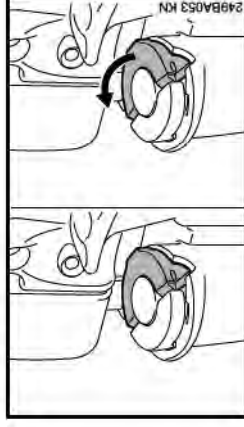


Before fueling, clean the filler cap and the area around it to ensure that no dirt falls into the tank.

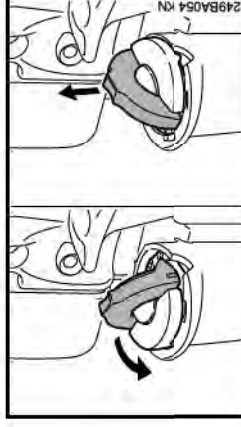
Always thoroughly shake the mixture in the canister before fueling your machine.

**⚠** In order to reduce the risk of burns or other personal injury from escaping gas vapor and fumes, remove the fuel filler cap carefully so as to allow any pressure build-up in the tank to release slowly.

### Opening the cap



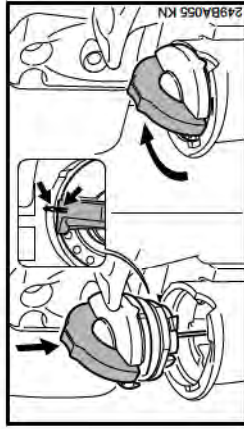
- Raise the grip until it is upright.



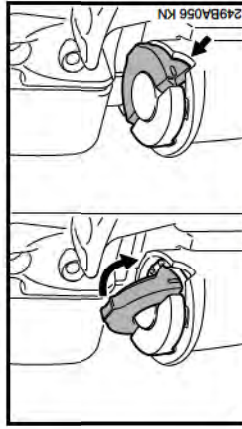
- Turn the cap counterclockwise (approx. a quarter turn).
- Remove the filler cap.

## Fitting the Harness

### Closing the cap

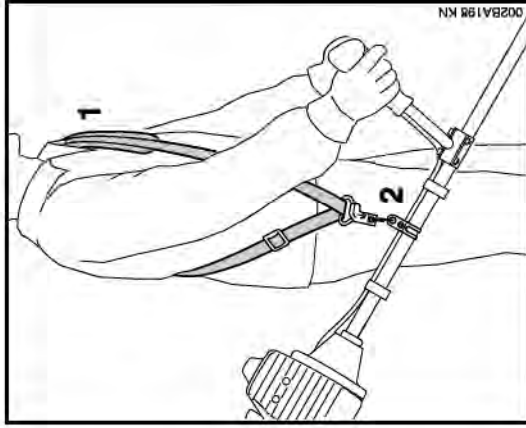


- Fit the cap – grip upright –marks must line up.
- Turn the cap clockwise as far as stop (approx. a quarter turn).



- Fold the grip flush with the top of the cap.

If the grip does not lie completely flush with the cap and the detent on the grip does not engage the recess in the filler neck, the cap is not properly seated and tightened and you must repeat the above steps.

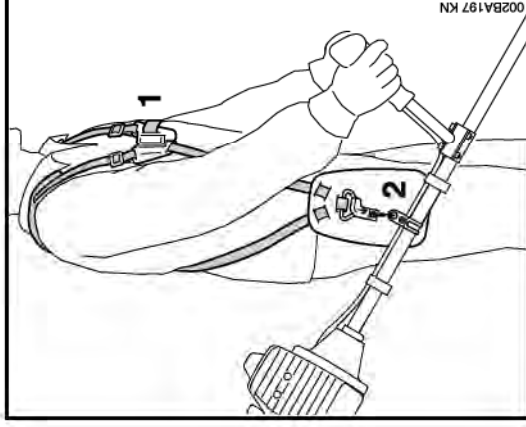


The type and style of harness depend on the market.

### Shoulder Strap

- Put on the shoulder strap (1).
- Adjust the length of the strap so that the spring hook (2) is about a hand's width below your right hip.
- Balance the brushcutter.

The use of the harness is described in chapter "Approved Combinations of Cutting Tool, Deflector, Handle and Harness".

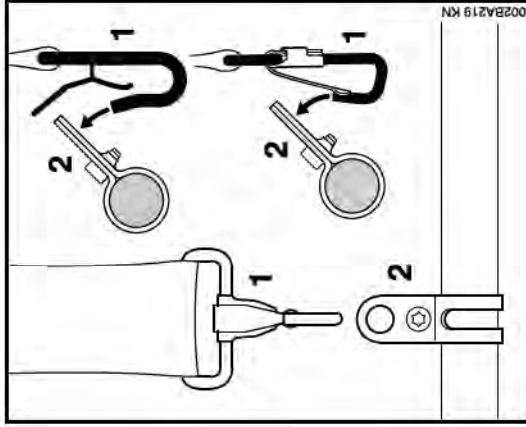


### Full harness

- Put on the full harness (1).
- Adjust length until the spring hook (2) is about a hand's width below your right hip.
- Balance the brushcutter.

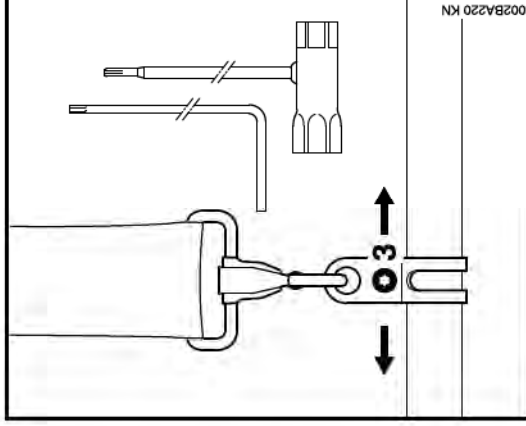
The use of the harness is described in chapter "Approved Combinations of Cutting Tool, Deflector, Handle and Harness".

## Balancing the Brushcutter



### Attaching Harness to Brushcutter

- Attach the spring hook (1) to the clamp (2) (carrying ring) on the drive tube.



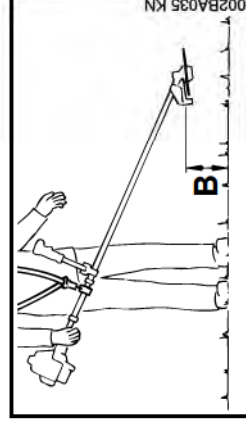
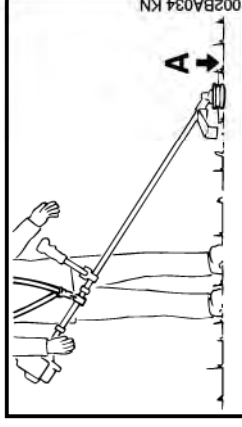
- Loosen the screw (3).

### Balancing the Machine

The machine has to be balanced to suit the cutting tool you are using.

Carry out the following steps to reach the condition described under "Point of balance".

- Slide the clamp up or down the drive tube. Tighten the screw moderately. Let go of the machine and check to see how it is balanced.



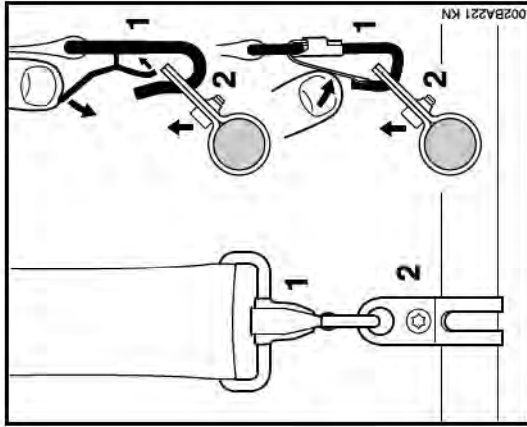
### Point of balance

- A Mowing tools**  
Mowing heads, grass cutting blades and brush knife should just touch the ground.
- B Circular saw blades**  
should hover about 8 in (20 cm) above the ground.

When the correct point of balance is reached:

- Tighten down the clamp screw firmly.

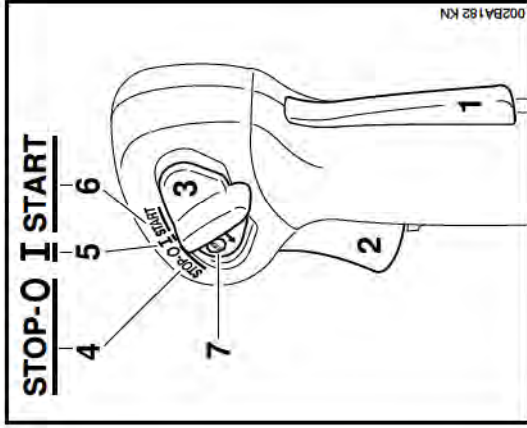
## Starting / Stopping the Engine



### Disconnecting Brushcutter from Harness

Depending on the type of spring hook (carabiner):

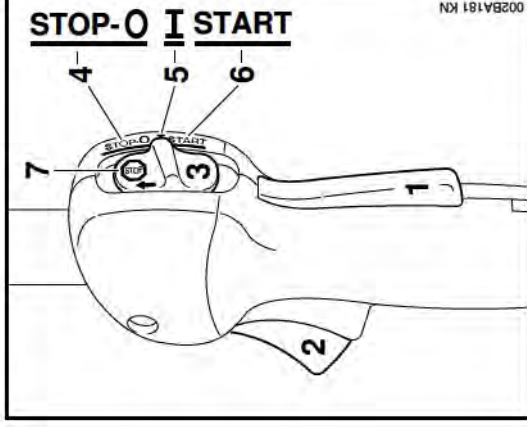
- Press down the bar on the spring hook (1) and take the clamp (2) off the hook.



### Controls

#### Control handle on bike handle

- Throttle trigger interlock (1)
- Throttle trigger (2)
- Slide control (3)



#### Control handle on drive tube

- Throttle trigger interlock (1)
- Throttle trigger (2)
- Slide control (3)

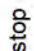

#### Positions of slide control

**STOP-O** (4) – engine off – the ignition is switched off

**I** – normal run position (5) – the engine is running or can start

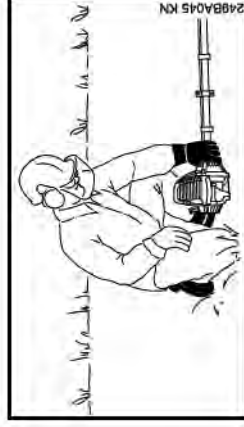
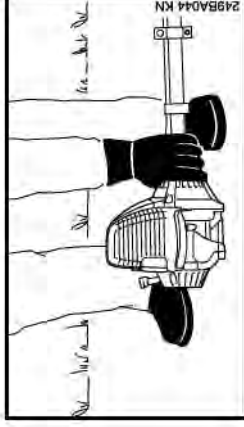
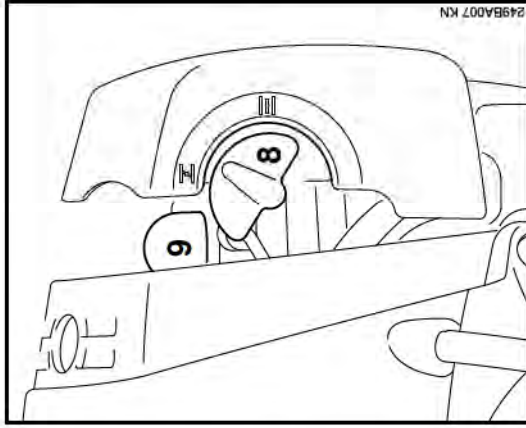
**START** (6) - the ignition is switched on, the engine can start




**Symbol on slide control**

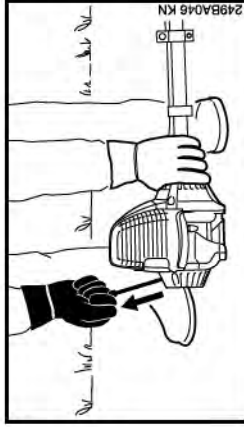
 (7) – stop symbol and arrow – to stop the engine, push the slide control in direction of arrow on stop symbol () to **STOP-O**.

**Starting**

- Hold down the throttle trigger interlock and squeeze the throttle trigger.
- While holding both levers in this position
- move the slide control to **START** and hold it there.
- Now release the throttle trigger, slide control and trigger interlock in that order. This is the **starting throttle position**.



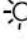
- Set the choke knob (8):  
**For cold start to**   
**For warm start to**   
 even if engine has been running but is still cold
- Press fuel pump bulb (9) at least five times – even if the bulb is already filled with fuel.
- Place the unit on the ground: it must rest securely on the engine support and deflector.  
 Check that the cutting tool is not touching the ground or any other obstacles.
- Make sure you have a firm footing.
- Hold the unit with your left hand and press it down **firmly** – your thumb should be under the fan housing.
-  Do not stand or kneel on the drive tube!



- Pull the starter grip slowly with your right hand until you feel it engage and then give it a brisk strong pull. Do not pull out the starter rope to full length – it might otherwise break.
- Do not let the starter grip snap back. Guide it slowly back into the housing so that the starter rope can rewind properly.

- Crank engine until it begins to fire. After no more than **five attempts**, turn the choke knob to **II** and continue cranking.

- **When the engine begins to fire:** Blip the throttle trigger so that the slide control moves to the normal run position **I** and the engine settles down to idle speed.

-  Make sure the carburetor is correctly adjusted – the cutting tool must not rotate when the engine is idling.

**Your machine is now ready for operation.**

### Stopping the engine

- Move the slide control in direction of arrow (➔) to **STOP-O**.

### At very low outside temperatures

- As soon as engine runs: Blip the throttle trigger to disengage the starting throttle position. The slide control moves to the normal run position **I** and the engine settles down to idle speed.
- Open the throttle slightly.
- Warm up engine for brief period.

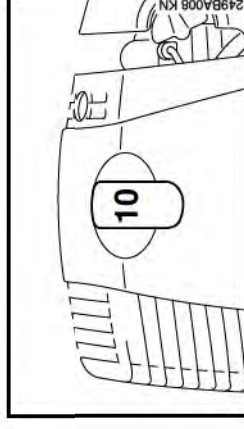
### If the engine does not start

#### Choke knob

If you did not turn the choke knob to **III** quickly enough after the engine began to fire, the combustion chamber has flooded.

- Turn choke knob to **III**
- Select starting throttle position.
- Start the engine by pulling the starter rope firmly. 10 to 20 pulls may be necessary.


### If the engine still does not start:



- Move the slide control to **STOP-O**.
- Pull off the spark plug boot (**10**).



## Operating Instructions

- Unscrew and dry off the spark plug.
- Open the throttle wide.
- Crank the engine several times with the starter to clear the combustion chamber.
- Refit the spark plug. Connect the spark plug boot (press it down firmly).
- Move the slide control to **START**.
- Set the choke knob to  – even if engine is cold.
- Now start the engine.

### Throttle cable adjustment

- Check adjustment of throttle cable – see "Adjusting the Throttle Cable".

### Tank run until dry

- After refueling, press the fuel pump bulb at least five times – even if bulb is filled with fuel.
- Set choke knob according to engine temperature.
- Now start the engine.

### During break-in period

A factory new machine should not be run at high revs (full throttle off load) for the first three tank fillings. This avoids unnecessary high loads during the break-in period. As all moving parts have to bed in during the break-in period, the frictional resistances in the engine are greater during this period.

The engine develops its maximum power after about 5 to 15 tank fillings.

### During operation

After a long period of full-throttle operation, allow engine to run for a while at idle speed so that the heat in the engine can be dissipated by flow of cooling air. This protects engine-mounted components (ignition, carburetor) from thermal overload.

### After finishing work

Wait for engine to cool down. Drain the fuel tank. Store the machine in a dry place. Check tightness of nuts and screws (not adjusting screws) at regular intervals and retighten as necessary.

## Cleaning the Air Filter



Dirty air filters reduce engine power, increase fuel consumption and make starting more difficult.

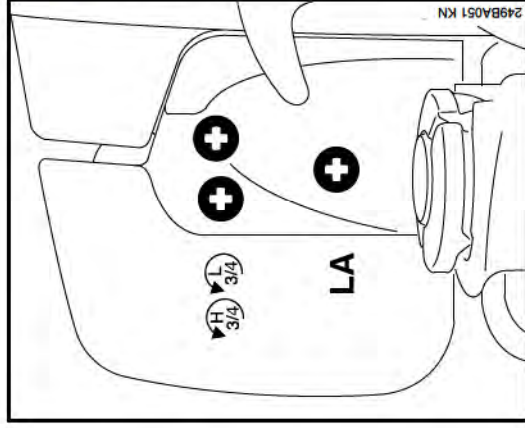
### If there is a noticeable loss of engine power:

- Set the choke knob to **I**.
- Take out the screw (1) and remove the filter cover (2).
- Clean away loose dirt from around the filter.
- Grip the filter element (3) at the notch (arrow) in the filter housing (4) and take it out.
- Fit a new filter element. As a temporary measure you can knock it out on the palm of your hand or blow it out. **Do not wash.**
- Replace any damaged parts.
- Install filter element in the filter housing.
- Refit the filter cover.
- Insert the screw and tighten it down firmly.

## Motor Management

Exhaust emissions are controlled by the design of the fundamental engine parameters and components (e.g. carburation, ignition, timing and valve or port timing) without the addition of any major hardware.

## Adjusting the Carburetor



The carburetor comes from the factory with a standard setting.

This setting provides an optimum fuel-air mixture under most operating conditions.

With this carburetor it is only possible to adjust the engine idle speed within fine limits.

### Standard Setting

- Shut off the engine.
- Mount cutting tool or attachment.
- Check the air filter – clean or replace if necessary.
- Check adjustment of the throttle cable and readjust if necessary – see "Adjusting the Throttle Cable".
- Check the spark arresting screen (not installed in all countries) and clean or replace if necessary.
- Carefully screw both adjusting screws clockwise down onto their seats.
- Open high speed screw (H)  $\frac{3}{4}$  turn.
- Open low speed screw (L)  $\frac{3}{4}$  turn.
- Start and warm up the engine
- Adjust idle speed with the idle speed screw (LA) so that the tool does not rotate.

### Fine Tuning

A slight correction of the setting of the high speed screw (H) may be necessary if engine power is not satisfactory when operating at high altitude or at sea level or after changing the tool.

#### Rule of thumb


- Turn high speed screw (H) about a quarter turn for every 1000m (3300 ft) change in altitude.
- Carry out standard setting.
- Warm up engine for about 3 minutes.
- Open the throttle wide

### At high altitude

- Turn high speed screw (H) clockwise (leaner) no further than stop until there is no noticeable increase in engine speed.

### At sea level

- Turn high speed screw (H) counterclockwise (richer) no further than stop until there is no noticeable increase in engine speed.

 It is possible that maximum engine speed may be reached with the standard setting in each case.

### Adjusting Idle Speed

It is usually necessary to change the setting of the idle speed screw (LA) after every correction to the low speed screw (L).

- Warm up the engine for about 3 minutes.

### Engine stops while idling

- Turn idle speed screw (LA) slowly clockwise until the engine runs smoothly – the tool must not rotate.

### Cutting tool rotates when engine is idling

- Turn idle speed screw (LA) slowly counterclockwise until the tool stops rotating and then turn the screw about another  $\frac{1}{2}$  to  $\frac{3}{4}$  turn in the same direction.

### Erratic idling behavior, engine stops even though setting of LA screw is correct, poor acceleration

- **Idle setting too lean:**  
Turn low speed screw (L) counterclockwise (no further than stop) until the engine runs and accelerates smoothly.

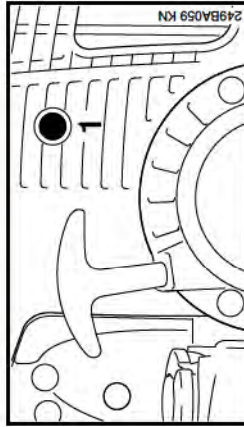
### Erratic idling behavior

- **Idle setting too rich:**  
Turn low speed screw (L) clockwise (no further than stop) until the engine runs and accelerates smoothly.

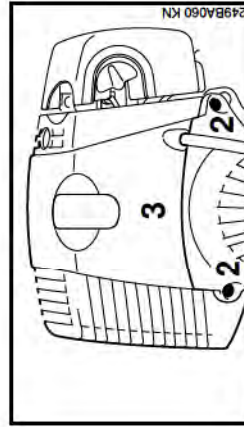
## Spark Arresting Screen in Muffler

The spark arresting screen is an option that is not fitted in all machines.

- If the engine is low on power, check the spark arresting screen in the muffler.
- Wait for muffler to cool down.

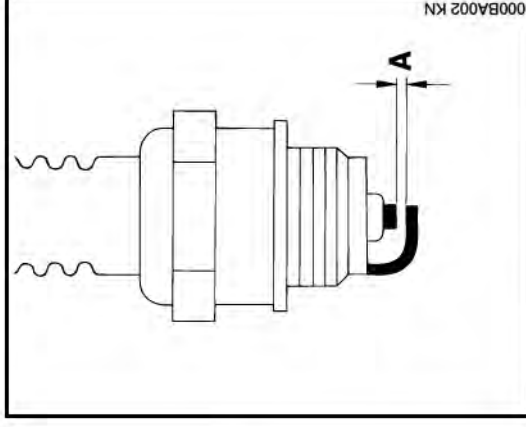


- Move slide control to **STOP-O**.
- Remove the screw (1).

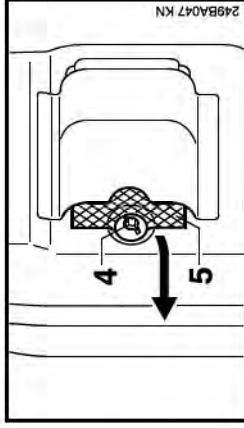


- Remove the screws (2).
- Lift away the shroud (3).

## Checking the Spark Plug



Wrong fuel mix (too much engine oil in the gasoline), a dirty air filter and unfavorable running conditions (mostly at part throttle etc.) affect the condition of the spark plug. These factors cause deposits to form on the insulator nose which may result in trouble in operation.



- Remove the screw (4).
- Lift spark arresting screen (5) and pull it out.
- Clean spark arresting screen if necessary – if screen is damaged or coked up, fit a new one.
- Refit the spark arresting screen.
- Insert screw and tighten down.
- Fit the shroud.

## Lubricating the Gearbox



If engine is down on power, difficult to start or runs poorly at idling speed, first check the spark plug.

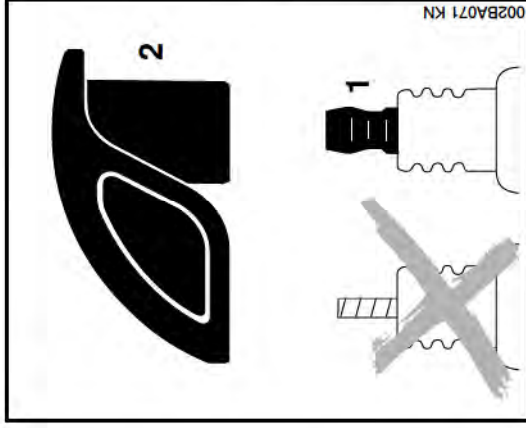
- Remove spark plug as described in chapter "Starting / Stopping the Engine".
- Clean dirty spark plug.
- Check the electrode gap (A) and readjust if necessary – see "Specifications".
- Use only resistor type spark plugs of the approved range.

Rectify problems which have caused fouling of spark plug:

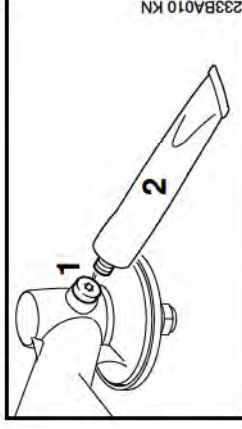
- Too much oil in fuel mix.
- Dirty air filter.
- Unfavorable running conditions, e.g. operating at part load.

**Fit a new spark plug after approx. 100 operating hours**

or earlier if the electrodes are badly eroded.



**⚠** To reduce the risk of fire and burn injury, use only spark plugs authorized by STIHL. Always press spark plug boot (2) snugly onto terminal (1) of the proper size. (Note: If terminal has detachable SAE adapter nut, it must be attached.) A loose connection between spark plug boot and ignition wire connector in the boot may create arcing that could ignite combustible fumes and cause a fire.



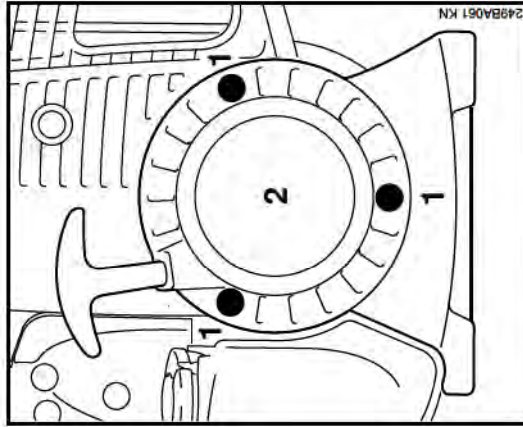
- Check grease level regularly - about every 25 hours of operation.
- Unscrew the filler plug (1).
- If no grease can be seen on the inside of the filler plug, screw the tube (2) of STIHL gear lubricant for brushcutters - see "Special Accessories" - into the filler hole.
- Squeeze up to 1/5 oz (5 g) grease into the gear housing.




Do not completely fill the gear housing with grease.

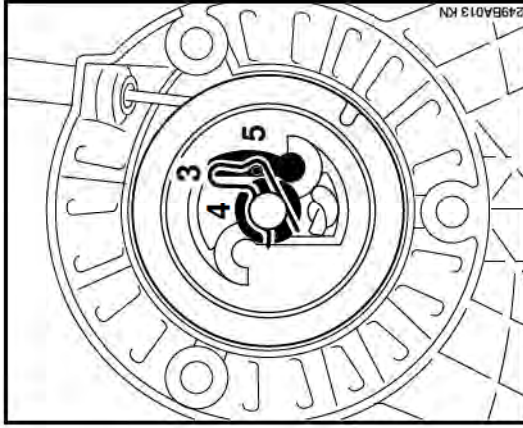
- Refit the filler plug and tighten it down firmly.

## Replacing Starter Rope and Rewind Spring

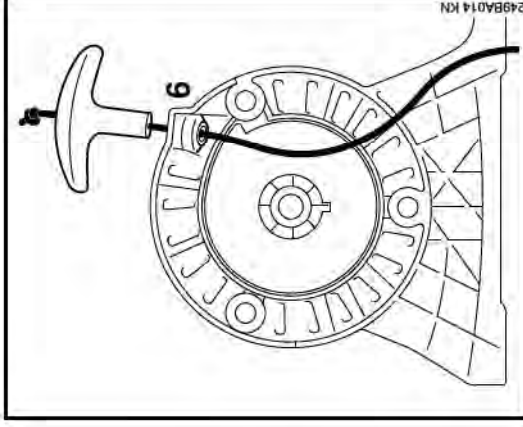


### Replacing the starter rope

- Move slide control in direction of  - arrow to **STOP-O**.
- Take out the screws (1).
- Lift the starter cover (2) off the housing.



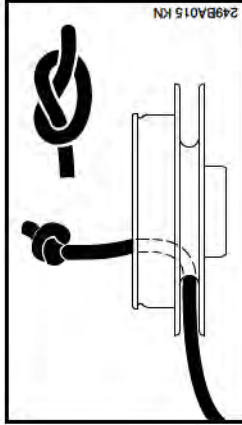
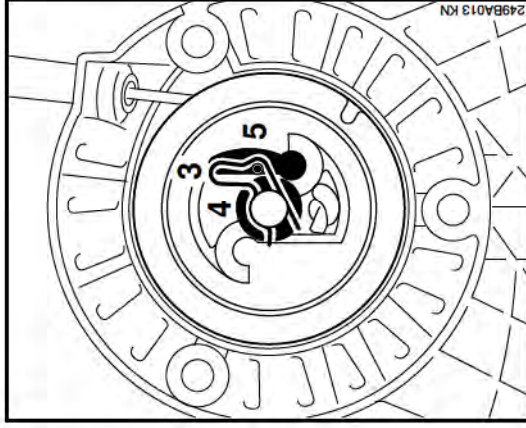
- Remove the spring clip (3).
- Remove the rope rotor with washer (4) and pawl (5).



- Remove remaining rope from the rotor and grip.
- Tie a simple overhand knot in the new rope (see "Specifications") and then thread it through the top of the grip and the rope bushing (6).

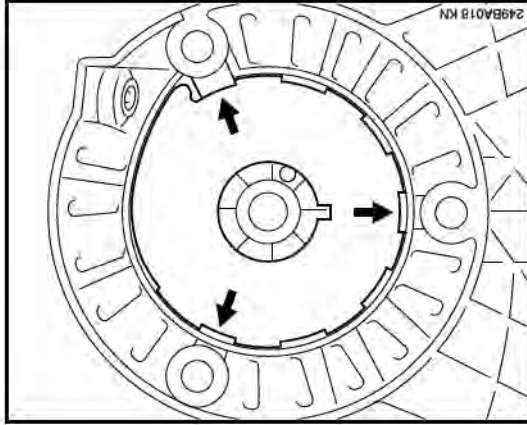
### Replacing a broken rewind spring

- Remove the rope rotor as described under "Replacing Starter Rope and Rewind Spring".
- ⚠ The bits of spring might still be under tension and could fly apart when you take them out of the housing. To reduce **risk of injury**, wear eye and face protection and work gloves.
- Remove spring housing and the parts of the spring.
- Lubricate the new spring with a few drops of non-resinous oil.

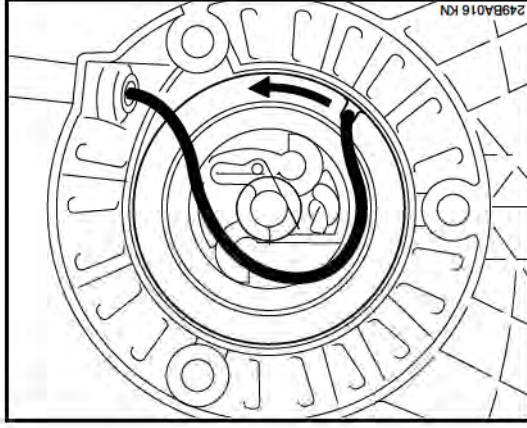


- Thread the rope through the rotor and secure it with a simple overhand knot.
- Coat rope rotor bearing bore with non-resinous oil.
- Slip rotor over starter post – turn it back and forth to engage anchor loop of rewind spring.

- Refit the pawl (5) in the rotor.
- Fit the washer (4) on the starter post.
- Use a screwdriver or suitable pliers to install spring clip (3) on starter post and engage it on the pawl's peg – the spring clip must point counterclockwise clockwise as shown in the illustration.
- Go to "Tensioning the rewind spring".



- Place the new spring housing on the recesses (arrows) – bottom plate must face up.
- Push the spring housing into the starter cover.
- Install the rope rotor as described under "Tensioning the rewind spring".
- If the spring pops out of the housing during installation: Refit it in the counterclockwise direction, starting outside and working inward.



### Tensioning the rewind spring

- Make a loop in the unwound starter rope and use it to turn the rope rotor six full revolutions in the direction of the arrow.
- Hold the rotor steady – pull out and straighten the twisted rope.
- Release the rope rotor.
- Let go of rope slowly so that it winds onto the rotor. The starter grip must locate firmly in the rope guide bushing. If the grip droops to one side: Increase spring tension by adding one more turn.

- When the starter rope is fully extended it must still be possible to rotate the rotor another half turn. If this is not the case, the spring is over tensioned and could break. Take one turn of rope off the rotor in such a case.
- Fit the starter cover on the housing.
- Tighten down the screws firmly.



## Storing the Machine

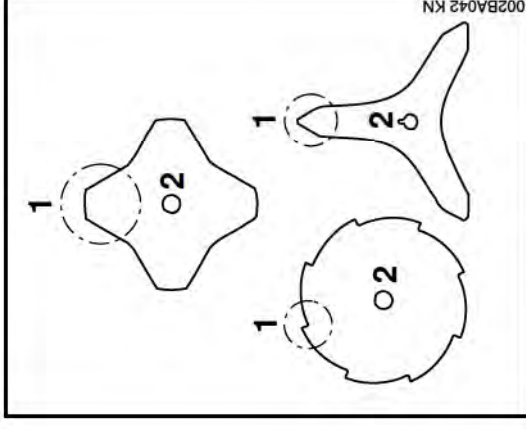
- For periods of about 3 months or longer
- Drain and clean the fuel tank in a well ventilated area.
  - Dispose fuel properly in accordance with local environmental requirements.
  - Run engine until carburetor is dry – this helps prevent carburetor diaphragms sticking together.
  - Remove, clean and inspect the cutting tool.
  - Thoroughly clean the machine – pay special attention to the cylinder fins and air filter.
  - Store the machine in a dry, high or locked location – out of the reach of children and other unauthorized persons.

## Sharpening Metal Cutting Tools

- Use a file (special accessory) to sharpen cutting tools. In case of more serious wear or nicks: Resharpen with a grinder or have work done by STIHL dealer.
- Resharpen frequently, take away as little material as possible – two or three strokes of the file are usually enough.

### To avoid out-of-balance

- After resharpening about 5 times, have blade checked on STIHL balancer (special accessory) and rebalanced as necessary.



- Resharpen the cutters (1) uniformly – do not alter the contour of the parent blade (2) in any way.

See cutting tool packaging for additional sharpening instructions.

English / USA

## **Inspections and Maintenance by Dealer**

### **Fuel pickup body in tank**

- Have the pickup body in the fuel tank replaced every year.

STIHL recommends that maintenance and repair work be carried out only by authorized STIHL dealers.

## Maintenance Chart

The following maintenance operations apply to normal operating conditions. If working conditions are difficult (very dusty work area, etc.) or your daily working time is longer than normal, shorten the specified intervals accordingly.		before starting work	after finishing work or daily	after each refueling stop	weekly	monthly	yearly	if problem	if damaged	if required
Complete machine	Visual inspection (condition, leaks)	X		X						
	Clean		X							
Control handle	Check operation	X		X						
	Clean							X		X
Air filter	Replace								X	
	Have checked by servicing dealer <sup>1)</sup>							X		
Pickup body in fuel tank	Have replaced by servicing dealer <sup>1)</sup>						X		X	X
	Clean							X		X
Fuel tank	Check idle speed	X		X						
	Readjust idle									X
Spark plug	Readjust electrode gap							X		
	Replace after 100 hours of operation									
Cooling inlets	Inspect		X							
	Clean									X
Valve clearance	Check and adjust if necessary after first 139 hours of operation <sup>1)</sup>									X
	Decarbonize after first 139 hours of operation, then after every 150 hours of operation									X
Spark arresting screen in muffler*	Inspect		X					X		
	Replace								X	X
All accessible screws and nuts (not adjusting screws)	Retighten									X

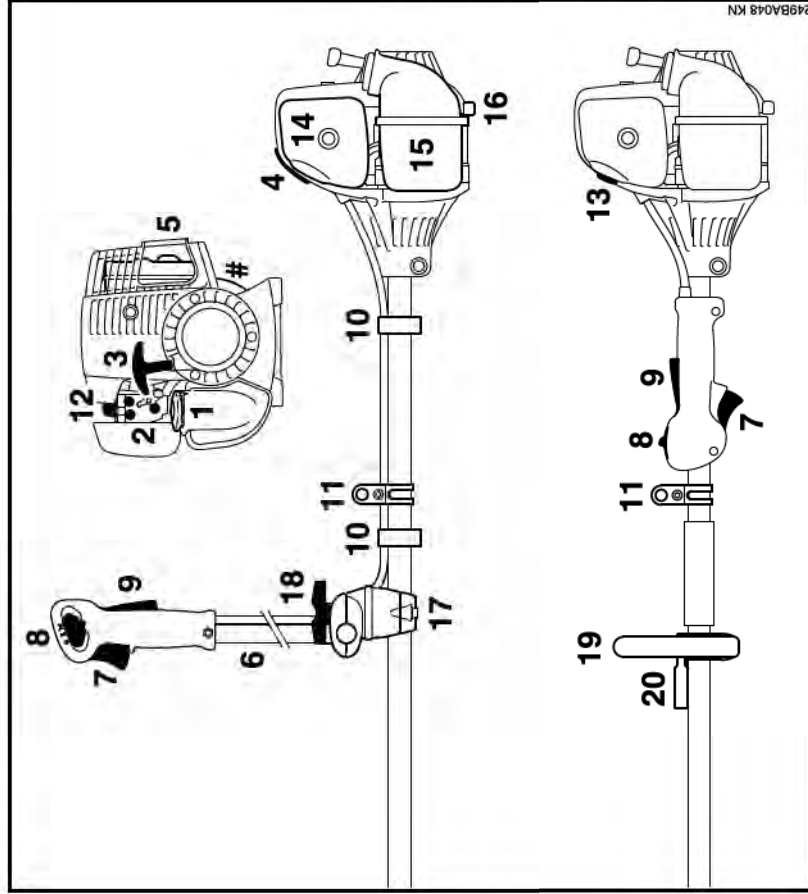
\* see "Guide to Using this Manual"

<sup>1)</sup> STIHL recommends that this work be done by a STIHL servicing dealer

		The following maintenance operations apply to normal operating conditions. If working conditions are difficult (very dusty work area, etc.) or your daily working time is longer than normal, shorten the specified intervals accordingly.									
		before starting work	after finishing work or daily	after each refueling stop	weekly	monthly	yearly	if problem	if damaged	if required	
Antivibration elements (rubber buffers, springs)	Check	X								X	
	Replace 1)									X	
Metal cutting tools	Visual inspection	X		X							
	Replace								X		
	Sharpen	X									X
Gearbox lubrication	Check tightness	X		X							
	Check				X						
	Replenish										X
Safety labels	Replace										X

1) STIHL recommends that this work be done by a a STIHL servicing dealer

**Parts and Controls**  
Part 1

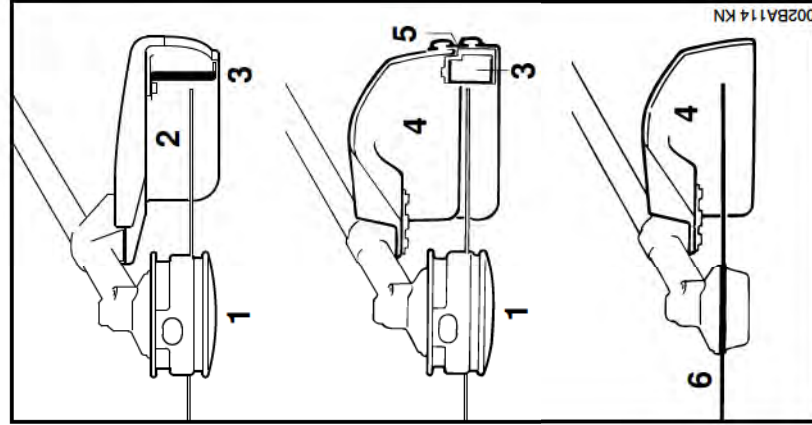


- 1 Fuel Filler Cap
- 2 Carburetor Adjusting Screws
- 3 Starter Grip
- 4 Spark Plug Boot
- 5 Muffler  
(with spark arresting screen - not in all versions, market-specific)
- 6 Bike Handle
- 7 Throttle Trigger
- 8 Slide Control
- 9 Throttle Trigger Interlock
- 10 Throttle Cable Retainer
- 11 Carrying Ring
- 12 Fuel Pump
- 13 Choke Knob
- 14 Air Filter Cover
- 15 Fuel Tank
- 16 Machine Support
- 17 Handle Support
- 18 Wing Screw
- 19 Loop Handle
- 20 Barrier Bar

# Serial number

## Definitions

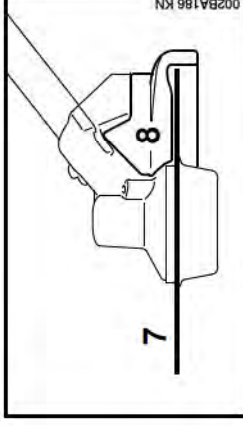
1. **Fuel Filler Cap**  
For closing the fuel tank.
2. **Carburetor Adjusting Screws**  
For tuning the carburetor.
3. **Starter Grip**  
The grip of the pull starter, which is the device to start the engine.
4. **Spark Plug Boot**  
Connects the spark plug to the ignition lead.
5. **Muffler (with spark arresting screen)**  
Reduces exhaust noises and diverts exhaust gases away from operator.
6. **Bike Handle**  
For easy control of the machine with both hands during cutting work.
7. **Throttle Trigger**  
Controls the speed of the engine.
8. **Slide Control**  
For starting throttle, run and stop. Keeps the throttle partially open during starting, switches the engine's ignition off to stop the engine.
9. **Throttle Trigger Interlock**  
Must be depressed before the throttle trigger can be activated.
10. **Throttle Cable Retainer**  
Secures the throttle cable to the drive tube.
11. **Carrying Ring**  
Connects the brushcutter to the harness.
12. **Fuel Pump**  
Provides additional fuel feed for a cold start.
13. **Choke Knob**  
Operates choke to enrich the mixture for easier engine starts.
14. **Air Filter Cover**  
Encloses and protects the air filter.
15. **Fuel Tank**  
For fuel and oil mixture.
16. **Machine Support**  
For resting machine on the ground.
17. **Handle Support**  
Connects the shaft and bike handle.
18. **Wing Screw**  
Locks handlebar in selected position.
19. **Loop Handle**  
For easy control of machine during operation.
20. **Barrier Bar**  
Helps maintain clearance between cutting tool and feet and legs of operator.



- 1 Mowing head
- 2 Deflector  
(for mowing heads only)
- 3 Line limiting blade
- 4 Deflector with skirt  
(for all cutting tools)
- 5 Skirt
- 6 Metal mowing tool

**Definitions**

- 1. **Mowing head**  
The cutting attachment, i. e. mowing head, for different purposes (special accessory).
- 2. **Deflector**  
The deflector is designed to reduce the risk of injury from foreign objects flung backwards toward the operator by the cutting tool and from contact with the cutting tool.
- 3. **Line limiting blade**  
Metal blade at the deflector in order to keep the line of the mowing head at the proper length.
- 4. **Deflector with skirt**  
The deflector is designed to reduce the risk of injury from foreign objects flung backwards toward the operator by the cutting tool and from contact with the cutting tool. Is not designed to contain fragmented metal blades.
- 5. **Skirt**  
The skirt at the bottom of the deflector must be adjusted as described in the chapters on mounting the various cutting tools.
- 6. **Metal mowing tool**  
The cutting attachment, i. e. blade, made from metal for different purposes (special accessory).



- 7 Circular Saw Blade
- 8 Limit Stop (for circular saw blade only)

**Definitions**

- 7. **Circular Saw Blade**  
Cutting tool made of metal for cutting wood.
- 8. **Limit Stop**  
Is designed to position the brushcutter steady against the wood in order to reduce the risk of injury from loss of control from reactive forces such as thrust out.

## Specifications

### EPA:

The Emission Compliance Period referred to on the Emissions Compliance Label indicates the number of operating hours for which the engine has been shown to meet Federal emission requirements.

Category

A = 300 hours,

B = 125 hours,

C = 50 hours

### CARB:

The Emission Compliance Period used on the CARB Air Index Label indicates the terms:

Extended = 300 hours

Intermediate = 125 hours

Moderate = 50 hours

### STIHL Single cylinder four-stroke engine with gasoil lubrication

Displacement: 2.22 cu.in (36.3 cm<sup>3</sup>)

Bore: 1.69 in (43 mm)

Stroke: 0.98 in (25 mm)

Engine power to ISO 8893:

1,9 bhp (1,4 kW) at 8,500 rpm

Idle speed: 2,800 rpm

Engine cutoff speed (nominal)

10,500 rpm

Max. output shaft speed (cutting tool)

7,500 rpm

## Special Accessories

Contact your STIHL dealer for information regarding special accessories that may be available for your product.

### Valve clearance

Inlet valve: 0.004 in (0.10 mm)

Exhaust valve: 0.004 in (0.10 mm)

### Fuel tank capacity

18.0 fl.oz (0.53 l)

### Spark plug (suppressed)

NGK CMR 6 H

Electrode gap 0.02 in (0.5 mm)

### Rewind Starter

Starter rope 0.12 in dia., 33.46 in long

(3.0 mm dia., 850 mm long)

### Weight

(without cutting tool and deflector)

FS 130 with bike handle:

13.0 lb (5.9 kg)

FS 130 R with loop handle:

12.3 lb (5.6 kg)

### Overall length

(without cutting tool)


71 in (1,800 mm)



## Maintenance and Repairs

Users of this unit should carry out only the maintenance operations described in this manual. Other repair work may be performed only by authorized STIHL service shops.

Warranty claims following repairs can be accepted only if the repair has been performed by an authorized STIHL servicing dealer using original STIHL replacement parts.

Original STIHL parts can be identified by the STIHL part number, the **STIHL** logo and, in some cases, by the STIHL parts symbol . This symbol may appear alone on small parts.

## **Not for California: STIHL Incorporated Federal Emission Control Warranty Statement**

### **Your Warranty Rights and Obligations**

The U.S. Environmental Protection Agency (EPA) and STIHL Incorporated are pleased to explain the Emission Control System Warranty on your equipment type engine. In the U.S. new 1997 and later model year small off-road equipment engines must be designed, built and equipped, at the time of sale, to meet the U.S. EPA regulations for small non road engines. The equipment engine must be free from defects in materials and workmanship which cause it to fail to conform with U.S. EPA standards for the first two years of engine use from the date of sale to the ultimate purchaser.

STIHL Incorporated must warrant the emission control system on your small off-road engine for the period of time listed below provided there has been no abuse, neglect or improper maintenance of your small off-road equipment engine.

Your emission control system includes parts such as the carburetor and the ignition system. Also included may be hoses, and connectors and other emission related assemblies.

Where a warrantable condition exists, STIHL Incorporated will repair your small off-road equipment engine at no cost to you, including diagnosis (if the diagnostic work is performed at an authorized dealer), parts, and labor.

### **Manufacturer's Warranty Coverage:**

In the U.S., 1997 and later model year small off-road equipment engines are warranted for two years, if any emission-related part on your engine is defective, the part will be repaired or replaced by STIHL Incorporated free of charge.

### **Owner's Warranty Responsibilities:**

As the small off-road equipment engine owner, you are responsible for the performance of the required maintenance listed in your owner's manual. STIHL Incorporated recommends that you retain all receipts covering

maintenance on your small off-road equipment engine, but STIHL Incorporated cannot deny warranty solely for the lack of receipts or for your failure to ensure the performance of all scheduled maintenance.

Any replacement part or service that is equivalent in performance and durability may be used in non-warranty maintenance or repairs, and shall not reduce the warranty obligations of the engine manufacturer.

As the small off-road equipment engine owner, you should be aware, however, that STIHL Incorporated may deny you warranty coverage if your small off-road equipment engine or a part has failed due to abuse, neglect, improper maintenance or unapproved modifications.

You are responsible for presenting your small off-road equipment engine to a STIHL service center as soon as a problem exists. The warranty repairs will be completed in a reasonable amount of time, not to exceed 30 days.

If you have any questions regarding your warranty rights and responsibilities, please contact a STIHL customer service representative at 1-800-467-8445 or you can write to

STIHL Inc.,  
536 Viking Drive, P.O. Box 2015,  
Virginia Beach, VA 23450-2015.

### **Coverage by STIHL Incorporated**

STIHL Incorporated warrants to the ultimate purchaser and each subsequent purchaser that your small off-road equipment engine will be designed, built and equipped, at the time of sale, to meet all applicable regulations. STIHL Incorporated also warrants to the initial purchaser and each subsequent purchaser that your engine is free from defects in materials and workmanship which cause the engine to fail to conform with applicable regulations for a period of two years.

### **Warranty Period**

The warranty period will begin on the date the utility equipment engine is purchased by the initial purchaser and you have signed and sent back the warranty card to STIHL.

If any emission related part on your engine is defective, the part will be replaced by STIHL Incorporated at no cost to the owner. Any warranted part which is not scheduled for replacement as required maintenance, or which is scheduled only for regular inspection to the effect of "repair or replace as necessary" will be warranted for the warranty period. Any warranted part which is scheduled for replacement as required maintenance will be warranted for the period of time up to the first scheduled replacement point for that part.

### Diagnosis

You, as the owner, shall not be charged for diagnostic labor which leads to the determination that a warranted part is defective. However, if you claim warranty for a component and the machine is tested as non-defective, STIHL Incorporated will charge you for the cost of the emission test. Mechanical diagnostic work will be performed at an authorized STIHL servicing dealer. Emission test may be performed either at STIHL Incorporated or at any independent test laboratory.

### Warranty Work

STIHL Incorporated shall remedy warranty defects at any authorized STIHL servicing dealer or warranty station. Any such work shall be free of charge to the owner if it is determined that a warranted part is defective.

Any manufacturer-approved or equivalent replacement part may be used for any warranty maintenance or repairs on emission-related parts and must be provided without charge to the owner. STIHL Incorporated is liable for damages to other engine components caused by the failure of a warranted part still under warranty.

The following list specifically defines the emission-related warranted parts:

- Carburetor
- Choke (Cold start enrichment system)
- Intake manifold
- Air filter
- Spark plug
- Magneto or electronic ignition system (ignition module)
- Catalytic converter (if applicable)
- Fasteners

### Where to make a claim for Warranty Service

Bring the product to any authorized STIHL servicing dealer and present the signed warranty card.

### Maintenance Requirements

The maintenance instructions in this manual are based on the application of the recommended 2-stroke fuel-oil mixture (see also instruction "Fuel"). Deviations from this recommendation regarding quality and mixing ratio of fuel and oil may require shorter maintenance intervals.

### Limitations

This Emission Control Systems Warranty shall not cover any of the following:

- repair or replacement required because of misuse, neglect or lack of required maintenance,
- repairs improperly performed or replacements not conforming to STIHL Incorporated specifications that adversely affect performance and/or durability, and alterations or modifications not recommended or approved in writing by STIHL Incorporated,

and

- replacement of parts and other services and adjustments necessary for required maintenance at and after the first scheduled replacement point.

## For California only: STIHL Incorporated California Exhaust and Evaporative Emissions Control Warranty Statement

### Your Warranty Rights and Obligations

The California Air Resources Board (CARB) and STIHL Incorporated are pleased to explain the emissions control system's warranty on your 2007 and later small off-road equipment engine.

In California, new equipment that uses small off-road-engines must be designed, built, and equipped to meet the State's stringent anti-smog standards. STIHL Incorporated must warrant the emissions control system on your small off-road engine for the period listed below provided there has been no abuse, neglect or improper maintenance of your small off-road engine.

Your emissions control system may include parts such as:

Air filter, Carburetor, Purger, Choke (Cold Start Enrichment System), Control Linkages, Intake Manifold, Magneto or Electronic Ignition System (Ignition module), Spark Plug, Catalytic Converter (if applicable), Fuel Tank, Fuel Cap, Fuel Line, Fuel Line Fittings, Clamps, Fasteners.

Where a warrantable condition exists, STIHL Incorporated will repair your small off-road equipment engine at no cost to you including diagnosis, parts and labor.

### Manufacturer's Warranty Coverage:

This emissions control system is warranted for two years in California. If any emissions-related part on your equipment is defective, the part will be repaired or replaced by STIHL Incorporated free of charge.

### Owner's Warranty Responsibilities:

As the small off-road equipment engine owner, you are responsible for performance of the required maintenance listed in your instruction manual. STIHL Incorporated recommends that you retain all receipts covering maintenance on your small off-road equipment engine, but STIHL Incorporated cannot deny warranty solely for the lack of receipts or your failure to ensure the performance of all scheduled maintenance.

As the small off-road equipment engine owner, you should however be aware that STIHL Incorporated may deny you warranty coverage if your small off-road equipment engine or a part has failed due to abuse, neglect, or improper maintenance or unapproved modifications.

You are responsible for presenting your small off-road equipment engine to a STIHL servicing dealer as soon as the problem exists. The warranty repairs should be completed in a reasonable amount of time, not to exceed 30 days. If you have any questions regarding your warranty rights and responsibilities, please contact a STIHL customer service representative at 1-800-467-8445 or you can write to

STIHL Inc., 536 Viking Drive,  
P.O. Box 2015,  
Virginia Beach, VA 23450-2015.

### Coverage by STIHL Incorporated

STIHL Incorporated warrants to the ultimate purchaser and each subsequent purchaser that your small off-road equipment engine is designed, built and equipped, at the time of sale, to meet all applicable emission regulations.

STIHL Incorporated also warrants to the initial purchaser and each subsequent purchaser that your engine is free from defects in materials and workmanship which cause the engine to fail to conform to applicable emission regulations for a period of two years.

### Defects Warranty Period

The warranty periods will begin on the date the utility equipment engine is purchased by the initial purchaser. If any emission related part on your engine is defective, the part will be replaced by STIHL Incorporated at no cost to the owner.

Add on or modified parts that are not exempted by CARB may not be used. The use of any non exempted add on or modified parts will be grounds for disallowing a warranty claim. STIHL Incorporated will not be liable to warrant failures of warranted parts caused by the use of a non exempted add on or modified part.

The warranty on emissions-related parts will be interpreted as follows:

1. Any warranted part that is not scheduled for replacement as required maintenance in the written instructions required in the Emission Warranty Parts List (see below) must be warranted for the warranty period defined in Subsection COVERAGE BY STIHL INCORPORATED, see above. If any such part fails during the period of warranty coverage, it must be repaired or replaced by the manufacturer according to Subsection (4) below. Any such part repaired or replaced under the warranty must be warranted for the remaining warranty period.

2. Any warranted part that is scheduled only for regular inspection in the written instructions required by the Emission Warranty Parts List (see below) must be warranted for the warranty period defined in Subsection COVERAGE BY STIHL INCORPORATED, see above. A statement in such written instructions to the effect of "repair or replace as necessary" will not reduce the period of warranty coverage. Any such part repaired or replaced under warranty must be warranted for the remaining warranty period.

3. Any warranted part that is scheduled for replacement as required maintenance in the written instructions required by the Emission Warranty Parts List (see below) must be warranted for the period of time prior to the first scheduled replacement point for that part. If the part fails prior to the first scheduled replacement, the part must be repaired or replaced by the engine manufacturer according to Subsection (4) below. Any such part repaired or replaced under warranty must be warranted for the remainder of the period prior to the first scheduled replacement point for the part.

4. Repair or replacement of any warranted part under the warranty must be performed at a warranty station at no charge to the owner.

5. Notwithstanding the provisions of Subsection (4) above, warranty services or repairs will be provided at all manufacturer distribution centers that are authorized to service the subject engines.

6. The owner must not be charged for diagnostic labor that leads to the determination that a warranted part is in fact defective, provided that such diagnostic work is performed at a warranty station.

### Warranty Work

STIHL Incorporated shall remedy warranty defects at any authorized STIHL servicing dealer or warranty station. Any such work shall be free of charge to the owner if it is determined that a warranted part is defective. Any manufacturer approved or equivalent replacement part may be used for any warranty maintenance or repairs on emission related parts and must be provided without charge to the owner. STIHL Incorporated is liable for damages to other engine components caused by the failure of a warranted part still under warranty.

## Trademarks

### Emission Warranty Parts List

Air filter, Carburetor, Purger, Choke (Cold Start Enrichment System), Control Linkages, Intake Manifold, Magneto or Electronic Ignition System (Ignition Module), Spark Plug, Catalytic Converter (if applicable), Fuel Tank, Fuel Cap, Fuel Line, Fuel Line Fittings, Clamps, Fasteners

### Where to make a claim for Warranty Service

Bring the STIHL product to any authorized STIHL servicing dealer and present the signed STIHL product registration card, or the print-out of the electronic product registration.

### Limitations

The repair or replacement of any warranted part otherwise eligible for warranty coverage may be excluded from such warranty coverage if STIHL Incorporated demonstrates that the STIHL product has been abused, neglected, or improperly maintained, and that such abuse, neglect, or improper maintenance was the direct cause of the need for repair or replacement of the part. That notwithstanding, any adjustment of a component that has a factory installed, and properly operating, adjustment limiting device is still eligible for warranty coverage.

### STIHL Registered Trademarks

STIHL®



The color combination orange-grey (U.S. Registrations #2,821,860; #3,010,057; and #3,010,058)

4-MIX®

AUTOCUT®

EASYSTART®

OILOMATIC®

STIHL Cutquik®

STIHL DUROMATIC®

STIHL Farm Boss®

STIHL Quickstop®

STIHL ROLLOMATIC®

STIHL WOOD BOSS®

TIMBERSPORTS®

YARD BOSS®

### Some of STIHL's Common Law Trademarks



BioPlus™

Easy2Start™

EasySpool™

ElastoStart™

Ematic™ / Stihl-E-Matic™

FixCut™

HT Plus™

IntelliCarb™

Master Control Lever™

Micro™

Pro Mark™

Quad Power™

Quiet Line™

STIHL Arctic™

STIHL Compact™

STIHL HomeScaper Series™

STIHL Interchangeable Attachment Series™

STIHL Magnum™ / Stihl-Magnum™  
STIHL MiniBoss™  
STIHL MotoPlus 4™  
STIHL Multi-Cut HomeScaper Series™  
Stihl Outfitters™  
STIHL PICCO™  
STIHL PolyCut™  
STIHL PowerSweep™  
STIHL Precision Series™  
STIHL Protech™  
STIHL RAPID™  
STIHL SuperCut™  
STIHL Territory™  
TapAction™  
TrimCut™

This listing of trademarks is subject to change.

Any unauthorized use of these trademarks without the express written consent of ANDREAS STIHL AG & Co. KG, Waiblingen is strictly prohibited.





## Contenido

Guía para el uso de este manual .....	64	Inspecciones y mantenimiento por el concesionario .....	110	Permita que solamente las personas que comprenden la materia tratada en este manual manejen su orilladora/cortadora de matorrales. Para obtener el rendimiento y satisfacción máximos de la orilladora/cortadora de matorrales STIHL, es importante leer y comprender las instrucciones de mantenimiento y las precauciones de seguridad, que empezarán en la página 65, antes de usar la orilladora/cortadora de matorrales. Comuníquese con el concesionario o distribuidor de STIHL si no se entiende alguna de las instrucciones dadas en el presente manual.
Medidas de seguridad y técnicas de manejo .....	65	Tabla de mantenimiento .....	111	<b>⚠ Advertencia!</b> Dado que la orilladora/cortadora de matorrales es una herramienta de corte motorizada de gran velocidad, es necesario tomar medidas especiales de seguridad para reducir el riesgo de lesiones. El uso descuidado o inadecuado puede causar lesiones graves e incluso mortales. Asegúrese que su máquina esté equipada con el deflector, mango y arnés adecuados para el tipo de accesorio de corte que se está utilizando. La filosofía de STIHL es mejorar continuamente todos sus productos. Como resultado, de vez en cuando se llevan a cabo modificaciones y mejoramientos técnicos. Si las características de funcionamiento o la apariencia de su orilladora/cortadora de matorrales difieren de aquéllas descritas en este manual, le rogamos ponerse en contacto con el concesionario STIHL para recibir más información y asistencia.
Combinaciones aprobadas de herramienta de corte, deflector, mango y arnés .....	82	Piezas y controles .....	113	
Accesorios aprobados para herramientas motorizadas .....	84	Especificaciones .....	116	
Montaje del manillar tipo bicicleta .....	84	Accesorios especiales .....	116	
Montaje del mango tórico .....	86	Mantenimiento y reparaciones .....	117	
Ajuste del cable del acelerador .....	88	Declaración de garantía de STIHL Incorporated sobre sistemas de control de emisiones según normas Federales .....	118	
Colocación de la argolla de transporte .....	88	Declaración de garantía de STIHL Incorporated sobre el control de emisiones de gases de escape y emisiones por evaporación para el Estado de California .....	120	
Montaje del deflector .....	89	Marcas comerciales .....	122	
Montaje de las herramientas de corte .....	90			
Motor 4-MIX .....	94			
Combustible .....	94			
Llenado de combustible .....	95			
Colocación del arnés .....	96			
Equilibrio de la cortadora de matorrales .....	97			
Arranque / parada del motor .....	98			
Instrucciones de manejo .....	101			
Limpieza del filtro de aire .....	101			
Manejo del motor .....	102			
Ajuste del carburador .....	102			
Chispero en el silenciador .....	104			
Revisión de la bujía .....	104			
Lubricación de la caja de engranajes .....	105			
Sustitución de la cuerda de arranque y resorte de rebobinado .....	106			
Almacenamiento de la máquina .....	109			
Afilado de las herramientas de corte metálicas .....	109			

**STIHL®**

FS 130, FS 130 R

## Guía para el uso de este manual

### Pictogramas

Todos los pictogramas que se encuentran en la máquina se muestran y explican en este manual.

Las instrucciones de uso y manipulación vienen acompañadas de ilustraciones.

### Símbolos en el texto

Los pasos individuales o procedimientos descritos en el manual pueden estar señalados en diferentes maneras:


- Un punto identifica un paso o procedimiento sin referencia directa a una ilustración.


Una descripción de un paso o procedimiento que se refiere directamente a una ilustración puede tener números de referencia que aparecen en la ilustración.  
Ejemplo:


Suelte el tornillo (1)


Palanca (2) ...

Además de las instrucciones de uso, en este manual pueden encontrarse párrafos a los que usted debe prestar atención especial. Tales párrafos están marcados con los símbolos que se describen a continuación.

 Advertencia donde existe el riesgo de un accidente o lesiones personales o daños graves a la propiedad.

 Precaución donde existe el riesgo de dañar la máquina o los componentes individuales.

 Nota o sugerencia que no es esencial para el uso de la máquina, pero puede ayudar al operador a comprender mejor la situación y mejorar su manera de manejar la máquina.

 Nota o sugerencia sobre el procedimiento correcto con el fin de evitar dañar el medio ambiente.

### \* Equipo y características

Este manual de instrucciones puede describir varios modelos con diferentes características. Los componentes que no se encuentran instalados en todos los modelos y las aplicaciones correspondientes están marcados con un asterisco (\*). Esos componentes pueden ser ofrecidos como accesorios especiales por el concesionario STIHL.

### Mejoramientos técnicos

La filosofía de STIHL es mejorar continuamente todos su productos. Como resultado de ello, periódicamente se introducen cambios de diseño y mejoras. Si las características de funcionamiento o la apariencia de su máquina difieren de las descritas en este manual, comuníquese con el concesionario STIHL para obtener la ayuda que requiera.

Por lo tanto, es posible que algunos cambios, modificaciones y mejoramientos no hayan sido descritos en este manual.

## Medidas de seguridad y técnicas de manejo



Dado que la orilladora/cortadora de matorrales es una herramienta de corte motorizada, con cuchillas afiladas, que funciona a gran velocidad, es necesario tomar medidas especiales de seguridad para reducir el riesgo de lesiones.



Es importante que usted lea, comprenda bien y respete las siguientes advertencias y medidas de seguridad. Lea el manual de instrucciones y las precauciones de seguridad periódicamente. El uso descuidado o inadecuado puede causar lesiones graves o incluso mortales.

Los términos empleados en este manual para designar la herramienta motorizada variarán de acuerdo con los tipos de accesorios de corte instalados en la misma. La palabra "orilladora" se usa para identificar una unidad FS equipada con un cabezal de hilo de nilón o un cabezal con cuchillas de plástico flexibles (tal como el cabezal PolyCut). El "cortador de matorrales" identifica un unidad equipada con una cuchilla de metal rígida. Muchos de los modelos FS pueden usarse como una orilladora o una cortadora de matorrales - por lo tanto, la herramienta motorizada se designa aquí como una "orilladora/cortadora de matorrales". Algunos de los modelos FS pequeños y/o livianos sólo pueden usarse como orilladoras, es decir no pueden equiparse con cuchillas metálicas.

El término "sierra despejadora" identifica una orilladora/cortadora de matorrales de alta potencia particularmente útil para usar con una sierra circular para cortar árboles jóvenes o pequeños. Los modelos FS con una "R" en la chapa de identificación se configuraron originalmente (en el momento de distribución) como una orilladora con un mango tórico.

### ⚠ Advertencia

Tal como se explicará a continuación en estas Medidas de seguridad, para reducir el riesgo de lesiones personales, asegúrese que su máquina esté equipada con el mango, arnés y deflector adecuados para el tipo de accesorio de corte que se está utilizando. Utilice exclusivamente los accesorios de corte autorizados específicamente por STIHL para usar en su modelo FS.

Pida a su concesionario STIHL que le enseñe el manejo de la herramienta motorizada. Respete todas las disposiciones, reglamentos y normas de seguridad locales del caso.

### ⚠ Advertencia!

No preste ni alquile nunca su herramienta motorizada sin entregar el manual de instrucciones. Asegúrese que todas las personas que utilicen la máquina lean y comprendan la información contenida en este manual.

### ⚠ Advertencia!

El uso de esta máquina puede ser peligroso. Si el hilo o la cuchilla giratoria llega a entrar en contacto con su cuerpo, le ocasionará una cortadura. Cuando choca con algún objeto extraño sólido tal como rocas o pedazos de metal, puede arrojarse directamente o por rebote en dirección de personas que se encuentren en la cercanía o del operador. El contacto con dichos objetos puede dañar los accesorios de corte y puede hacer que las cuchillas se rompan, astillen o agrieten. Los objetos lanzados, incluso los cabezales o las cuchillas rotos, pueden provocar lesiones graves o mortales al operador o a personas que se encuentren en su proximidad.

STIHL no recomienda el uso de cuchillas rígidas en zonas pedregosas. Use la orilladora/cortadora de matorrales equipada con el accesorio de corte apropiado únicamente para cortar pasto, matorrales, madera y materiales similares. No debe usarse para ningún otro propósito ya que el uso indebido puede resultar en accidentes o daños de la máquina.

### ⚠ Advertencia!

Nunca se debe permitir a los niños que usen esta herramienta motorizada. No se debe permitir la proximidad de otros, especialmente niños y animales, donde se esté utilizando la máquina.

**⚠ Advertencia!**

Para reducir el riesgo de ocasionar lesiones a las personas en la cercanía y daños a la propiedad, nunca deje la herramienta motorizada en marcha desatendida. Cuando no está en uso (por ejemplo durante el descanso), apáguela y asegúrese que las personas no autorizadas no pueden usarla.

La mayoría de las medidas de seguridad y avisos se refiere al uso de todas las orilladoras/cortadoras de matorrales de STIHL. Los distintos modelos pueden contar con piezas y controles diferentes. Vea la sección correspondiente de su manual de instrucciones para tener una descripción de los controles y la función de los componentes de su modelo.

El uso seguro de una orilladora/cortadora de matorrales atañe a

1. el operador
2. la herramienta motorizada
3. el uso de la herramienta motorizada.

**EL OPERADOR**

**Condición física**

Usted debe estar en buenas condiciones físicas y psíquicas y no encontrarse bajo la influencia de ninguna sustancia (drogas, alcohol, etc.) que le pueda restar visibilidad, destreza o juicio. No maneje esta máquina cuando está fatigado.

**⚠ Advertencia!**

Esté alerta. Si se cansa, tómese un descanso. El cansancio puede provocar una pérdida del control. El uso de cualquier herramienta motorizada es fatigoso. Si usted padece de alguna dolencia que pueda ser agravada por la fatiga, consulte a su médico antes de utilizar esta máquina.

**⚠ Advertencia!**

El uso prolongado de una herramienta motorizada (u otras máquinas) expone al operador a vibraciones que pueden provocar el fenómeno de Raynaud (dedos blancos) o el síndrome del túnel carpiano.

Estas condiciones reducen la capacidad de las manos de sentir y regular la temperatura, producen entumecimiento y ardor y pueden provocar trastornos nerviosos y circulatorios, así como necrosis de los tejidos.

No se conocen todos los factores que contribuyen a la enfermedad de Raynaud, pero se mencionan el clima frío, el fumar y las enfermedades o condiciones físicas que afectan los vasos sanguíneos y la circulación de la sangre, como asimismo los niveles altos de vibración por períodos largos. Por lo tanto, para reducir el riesgo de la enfermedad de dedos blancos y del síndrome del túnel carpiano, sírvase notar lo siguiente:

La mayor parte de las herramientas motorizadas de STIHL se ofrecen con un sistema antivibración (AV) cuyo propósito es reducir la transmisión de las vibraciones creadas por la máquina a las manos del operador. Se recomienda el uso del sistema AV a aquellas personas que utilizan herramientas motorizadas en forma constante y regular.

Mantenga el sistema AV en buen estado. Una herramienta motorizada con los componentes flojos o con amortiguadores AV dañados o desgastados también tendrá tendencia a tener niveles más altos de vibración.

Agarre firmemente los mangos en todo momento, pero no los apriete con fuerza constante y excesiva. Use guantes y mantenga las manos abrigadas. Tómese descansos frecuentes.

Todas las precauciones antes mencionadas no le garantizan que va a estar totalmente protegido contra la enfermedad de Raynaud o el síndrome del túnel carpiano. Por lo tanto, los operadores constantes y regulares deben revisar con frecuencia el estado de sus manos y dedos. Si aparece alguno de los síntomas arriba mencionados, consulte inmediatamente al médico.

### Advertencia!

El sistema de encendido de la máquina STIHL produce un campo electromagnético de intensidad muy baja. El mismo puede interferir con algunos tipos de marcapasos. Para reducir el riesgo de lesiones graves o mortales, las personas portadoras de marcapasos deben consultar a sus médicos y al fabricante del marcapasos antes de usar esta máquina.

### Vestimenta adecuada

#### Advertencia!

Para reducir el riesgo de lesiones el operador debe usar el equipo protector adecuado.

El deflector provisto con su herramienta motorizada no siempre protege al operador contra todos los objetos extraños (gravilla, vidrio, alambre, etc.) arrojados por el accesorio de corte giratorio. Los objetos arrojados o lanzados por el accesorio también pueden rebotar y golpear al operador.

#### Advertencia!

Para reducir el riesgo de lesionarse los ojos, nunca maneje la herramienta motorizada si no tiene puestas gafas o anteojos de seguridad bien



ajustados con una protección adecuada en las partes superior y laterales que satisfagan la norma ANSI Z 87.1 (o la norma nacional correspondiente). Para reducir el riesgo de lesionarse la cara, STIHL recomienda usar también una careta o protector facial adecuado sobre las gafas o anteojos de seguridad.

#### Advertencia!



El ruido de la herramienta motorizada puede dañar los oídos. Siempre use amortiguadores del ruido (tapones u orejeras) para protegerse los oídos. Los usuarios constantes y regulares deben someterse con frecuencia a un examen o control auditivo.

Esté especialmente alerta y tenga cuidado cuando se usa protectores de oídos, ya que los mismos reducen la posibilidad de oír señales de advertencia (gritos, alarmas, etc.).



Siempre use guantes al usar la máquina y las cuchillas metálicas. Los guantes gruesos y antideslizantes mejoran el manejo y ayudan a proteger las manos.



La ropa debe ser de confección fuerte y ajustada, pero no tanto que impida la completa libertad de movimiento. Use pantalones largos hechos de un material grueso para protegerse las piernas. No use pantalones cortos, sandalias o pies descalzos.



Evite el uso de chaquetas sueltas, bufandas, corbatas, joyas, pantalones acampanados o con vueltas, pelo largo suelto o cualquier cosa que pueda engancharse en las ramas, matorrales o piezas en movimiento de la máquina. Sujétese el pelo de modo que quede sobre los hombros.



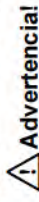
Es muy importante tener una buena superficie de apoyo para los pies. Póngase botas gruesas con suela antideslizante. Recomendamos las botas de seguridad con puntera de acero.



Utilice un casco de seguridad aprobado para reducir el riesgo de lesionarse la cabeza en caso de existir tal tipo de peligro.

## LA HERRAMIENTA MOTORIZADA

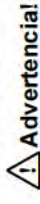
Para las ilustraciones y definiciones de los componentes de la herramienta motorizada, vea el capítulo "Piezas principales y controles".



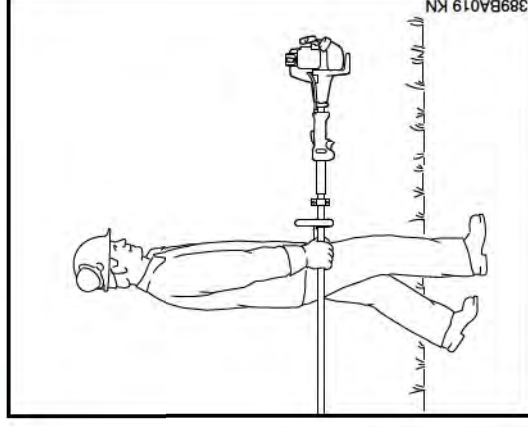
**Advertencia!**  
Nunca modifique, de ninguna manera, esta herramienta motorizada. Utilice únicamente los accesorios y repuestos suministrados por STIHL y expresamente autorizados por STIHL para usarse con el modelo específico de STIHL. Si bien es posible conectar a la herramienta motorizada de STIHL ciertos accesorios no autorizados, su uso puede ser, en la práctica, extremadamente peligroso. Para los accesorios de corte autorizados por STIHL para su unidad, consulte el capítulo "Combinaciones aprobadas herramienta de corte, deflector, mango y arnés", en el manual de instrucciones o en el catálogo STIHL "Herramientas motorizadas y accesorios".  
Si la máquina experimenta cargas excesivas para las cuales no fue diseñada (por ejemplo, impactos severos o una caída), siempre asegúrese que la máquina está en buenas condiciones antes de seguir con el trabajo. Inspeccione específicamente la integridad del sistema de combustible (ausencia de fugas) y asegúrese que los controles y dispositivos de seguridad funcionan como es debido. No siga manejando esta máquina si está dañada. En caso de dudas, pida que el concesionario de servicio de STIHL la revise.

## USO DE LA HERRAMIENTA MOTORIZADA

### Transporte de la herramienta motorizada



**Advertencia!**  
Para reducir el riesgo de sufrir lesiones debido a la pérdida de control y al contacto con las cuchillas o el hilo, nunca lleve ni transporte la herramienta motorizada con el accesorio de corte en marcha.



Puede acarrear solo en posición horizontal. Agarre el eje de una manera que mantenga la máquina equilibrada horizontalmente. Mantenga el silenciador caliente lejos de su cuerpo y el accesorio de corte detrás de usted.

**⚠ Advertencia!**

Antes de apoyar la orilladora/cortadora de matorrales en el suelo, apague el motor y asegúrese de que el accesorio de corte ha dejado de girar. Cuando transporte la máquina en un vehículo, sujétela firmemente para impedir su vuelco, el derrame de combustible y el daño a la máquina. STIHL recomienda mantener las cuchillas metálicas cubiertas con el protector para el transporte (accesorio opcional).

**Combustible**

Su herramienta motorizada de STIHL utiliza una mezcla de aceite y gasolina como combustible (vea el capítulo "Combustible" en el manual de instrucciones).

**⚠ Advertencia!**



La gasolina es un combustible muy inflamable. Si se derrama y arde a causa de una chispa u otra fuente de ignición, puede provocar

un incendio y quemaduras graves o daños a la propiedad. Tenga sumo cuidado cuando manipule gasolina o la mezcla de combustible. No fume cerca del combustible o la herramienta motorizada, ni acerque ningún fuego o llama a ellos. Puede escapar vapor inflamable del sistema de combustible.

**Instrucciones para el llenado de combustible**

**⚠ Advertencia!**

Cargue de combustible su herramienta motorizada en lugares al aire libre bien ventilados. Siempre apague el motor y deje que se enfríe antes de llenar de combustible. Dependiendo del combustible utilizado, de las condiciones climáticas y del sistema de ventilación del tanque, es posible que se forme vapor de gasolina a presión dentro del tanque de combustible.

Para reducir el riesgo de quemaduras, así como otras lesiones corporales ocasionadas por los escapes de vapor de gasolina, quite la tapa de llenado de combustible de la herramienta motorizada cuidadosamente de modo que la presión que se pueda haber acumulado en el tanque se disipe lentamente. Nunca quite la tapa de llenado de combustible mientras el motor está funcionando.

Elija una superficie despejada para llenar el tanque y aléjese 3 m (10 pies) por lo menos del lugar en que lo haya llenado antes de arrancar el motor. Limpie todo el combustible derramado antes de arrancar la máquina.

**⚠ Advertencia!**

Compruebe que no existen fugas de combustible mientras llena el tanque y durante el funcionamiento de la máquina. Si detecta alguna fuga de combustible, no arranque el motor ni lo haga funcionar sin antes reparar la fuga

y limpiar el combustible derramado. Tenga cuidado de no mancharse la ropa con combustible. Si la mancha, cámbiesela inmediatamente.

El tipo de tapa de llenado difiere con los distintos modelos.

**Tapa con empuñadura**

**⚠ Advertencia!**

Para reducir el riesgo de derramar combustible y provocar un incendio debido a una tapa de combustible mal apretada, coloque la tapa en la posición correcta y apriétela en la boca de llenado del tanque.



Para hacer esto con esta tapa STIHL, levante la empuñadura en la parte superior de la tapa hasta dejarla vertical a un ángulo de 90°. Inserte la

tapa en la boca de llenado del tanque, alineando las marcas triangulares en la empuñadura de la tapa y en la boca del tanque. Utilizando la empuñadura, gire la tapa firmemente en sentido horario hasta donde tope (aprox. un cuarto de vuelta).



Doble la empuñadura dejándola a ras con la parte superior de la tapa. Si no queda totalmente a ras y el tope en la

empuñadura no encaja en el hueco correspondiente en el cuello de llenado, la tapa está mal asentada y apretada, se deberán repetir los pasos anteriores.

### Tapa roscada

#### Advertencia!



Las vibraciones de la máquina pueden aflojar una tapa de combustible que ha quedado mal apretada, o simplemente soltarla y derramar

combustible. Para reducir el riesgo de derrames e incendio, apriete la tapa de llenado de combustible a mano tan firmemente como sea posible.

### Antes de arrancar

#### Advertencia!

Siempre revise la herramienta motorizada para comprobar que está en buenas condiciones y que funciona correctamente antes de arrancarla, en particular el gatillo de aceleración y su bloqueo, el interruptor de parada, el accesorio de corte, el deflector y el arnés. El gatillo de aceleración debe moverse libremente y siempre debe retornar a la posición de ralentí por la acción de resorte. Nunca intente modificar los controles o los dispositivos de seguridad. Nunca use una herramienta motorizada que esté dañada o mal cuidada.

#### Advertencia!

No instale ningún accesorio de corte en una máquina sin que todas las piezas requeridas estén correctamente instaladas. Si no se utilizan las piezas

debidas se puede causar el desprendimiento de la cuchilla o el cabezal y lesionar gravemente al operador o a las personas que encuentren en su proximidad.

#### Advertencia!

El accesorio de corte debe estar correctamente apretado y en buenas condiciones de trabajo. Busque piezas sueltas (tuercas, tornillos, etc.) y cabezales agrietados o dañados, o cuchillas agrietadas, combadas, deformadas o dañadas. Sustituya los cabezales o las cuchillas dañados antes de usar la herramienta motorizada.

Mantenga las cuchillas siempre afiladas.

Mantenga los mangos limpios y secos en todo momento; es particularmente importante mantenerlos libres de humedad, aceite, grasa o resinas para garantizar que la máquina pueda empuñarse firmemente para mantenerla bajo control seguro.

#### Advertencia!

Asegúrese que el casquillo de la bujía esté firmemente colocado – un casquillo suelto puede crear un arco voltaico y encender los vapores del combustible, provocando un incendio.

#### Advertencia!



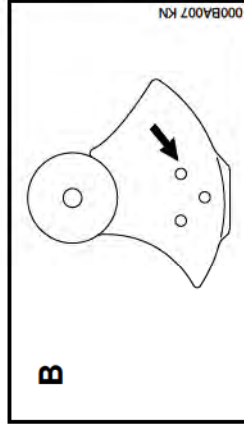
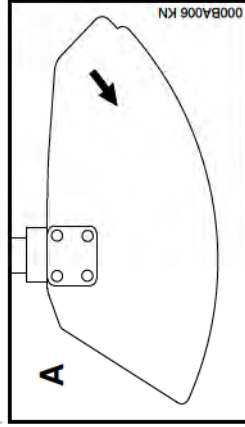
Para reducir el riesgo de sufrir lesiones corporales debido a la pérdida de

control y/o al contacto con la cuchilla o el hilo y los objetos arrojados, asegúrese que su máquina está equipada con el deflector, mango y arnés correctos para el tipo de accesorio de corte que está usando (vea la tabla en el capítulo "Combinaciones aprobadas de accesorio de corte, deflector, mango y arnés").

Tal como se puede ver en la tabla, para usar algunos de los accesorios de corte puede ser necesario cambiar el deflector, el mango y/o el arnés.

Mantenga siempre el deflector (y la faldilla en su caso) bien ajustado (vea en su manual de instrucciones los capítulos de "Montaje del deflector" y "Montaje de los accesorios de corte").





Las flechas (A) en el deflector y el tope (B) (visto del fondo) muestran el sentido correcto de rotación del accesorio de corte. Sin embargo, al verlo de arriba, el accesorio de corte gira en sentido contrario.

Ajuste el arnés y la empuñadura de modo correspondiente a su estatura antes de empezar a trabajar. La máquina debe estar correctamente equilibrada de la forma especificada en el manual de instrucciones para un control correcto y menos fatiga de trabajo. Para prepararse para emergencias, practique la liberación rápida de la unidad del arnés.

### Arranque

Arranque el motor al aire libre, por lo menos 3 m (10 pies) del lugar en que lo haya llenado.

Para las instrucciones específicas de arranque, vea la sección correspondiente en el manual del usuario. Coloque la herramienta

motorizada sobre suelo firme u otra superficie sólida en un lugar abierto. Mantenga el equilibrio y elija un buen punto de apoyo para los pies.

### ⚠ Advertencia!

Para reducir el riesgo de lesiones debido al contacto con las cuchillas o el hilo, esté absolutamente seguro que el accesorio de corte se encuentra lejos de su cuerpo y de todas las obstrucciones y objetos, incluido el suelo, porque al arrancar el motor, su velocidad será lo suficientemente rápida para que el embrague se engrane y haga girar el accesorio de corte.

Tan pronto arranque, accione inmediatamente por un breve momento el gatillo de aceleración para desconectarlo de la posición de arranque y permitir que la velocidad del motor se reduzca al valor de ralentí.

Con el motor funcionando a velocidad de ralentí solamente, enganche la herramienta motorizada al gancho de resorte de su arnés (vea el capítulo correspondiente en este manual).

### ⚠ Advertencia!

Su herramienta motorizada es una máquina que debe ser manejada por solamente una persona. No deje que otras personas estén en el lugar de trabajo, aun durante el arranque.

### ⚠ Advertencia!

Para reducir el riesgo de sufrir lesiones causadas por la pérdida de control, no intente arrancar el motor de la herramienta "por lanzamiento".

### ⚠ Advertencia!

Cuando tire del mango de arranque, no enrolle la cuerda de arranque alrededor de la mano. No deje que el mango retroceda bruscamente, sino guíe la cuerda de arranque para que se enrolle debidamente. Si no ejecuta este procedimiento puede lastimarse la mano o los dedos y también dañar el mecanismo de arranque.

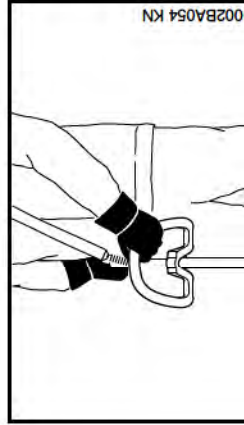
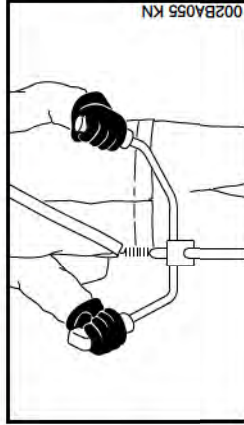
### Ajustes importantes

### ⚠ Advertencia!

Para reducir el riesgo de lesiones personales debido a la pérdida de control o al contacto con el accesorio de corte en movimiento, no use una máquina cuyo ralentí está mal regulado. Cuando el ralentí está correctamente regulado, el accesorio de corte no debe moverse. Para instrucciones acerca de cómo ajustar la velocidad de ralentí, vea la sección correspondiente del manual de instrucciones.

Si no puede regular correctamente el ralentí, pida a su concesionario STIHL que revise la herramienta motorizada y haga los ajustes o reparaciones correspondientes.

**Durante el trabajo**  
**Sujeción y control de la herramienta motorizada**



Al trabajar, sujete la máquina firmemente con ambas manos en los mangos. Cierre firmemente los dedos y pulgares sobre los mangos.

**⚠ Advertencia!**



Nunca intente manejar la herramienta motorizada con una sola mano. La pérdida de control de la herramienta motorizada puede ocasionar lesiones graves o mortales. Para reducir el riesgo de lesionarse, mantenga las manos y los pies alejados del accesorio de corte. No toque nunca con las manos ni con cualquier parte del cuerpo un accesorio de corte en movimiento.

**⚠ Advertencia!**

No trate de alcanzar más lejos de lo debido. Mantenga los pies bien apoyados y equilibrados en todo momento. Se debe tener cuidado especial cuando las condiciones del suelo son resbaladizas (suelo húmedo, nieve) y en terreno difícil y con mucha vegetación. Para evitar tropezarse, esté atento a los obstáculos ocultos tales como tocones, raíces y zanjas. Para obtener un punto de apoyo seguro, quite los matorrales y el material cortado. Sea sumamente precavido cuando trabaje en declives o terreno irregular.

**⚠ Advertencia**

Para reducir el riesgo de lesiones causadas por la pérdida del control, nunca trabaje sobre una escalera o cualquier otra superficie de soporte poco seguro. Nunca mantenga el accesorio de corte a una altura más arriba de la cintura.

**Condiciones de trabajo**

Maneje y arranque su herramienta motorizada solamente al aire libre en un lugar bien ventilado. Manéjela solamente en condiciones de buena visibilidad y a la luz del día. Trabaje con mucho cuidado.

**⚠ Advertencia!**



Tan pronto arranque, este producto genera vapores de escape tóxicos que contienen productos químicos (tales como hidrocarburos sin quemar y monóxido de carbono, incluyendo el benceno) considerados como causantes de enfermedades respiratorias, cáncer, defectos de nacimiento u otra toxicidad reproductora. Algunos de estos gases (por ej., monóxido de carbono) pueden ser incoloros e inodoros. Para reducir el riesgo de sufrir lesiones graves o mortales por respirar gases tóxicos, nunca haga funcionar la máquina puertas adentro o en lugares mal ventilados.

**⚠ Advertencia!**

Si la vegetación que se está cortando o la tierra en el lugar está recubierta de una sustancia química (tal como un pesticida o herbicida activo), lea y siga las instrucciones suministradas con la sustancia en cuestión.

**⚠ Advertencia!**

La inhalación de ciertos polvos, especialmente los polvos orgánicos, tales como el moho o polen, puede provocar reacciones alérgicas o asmáticas en las personas sensibles. La inhalación repetida o de grandes cantidades de polvo u otros contaminantes del aire, especialmente los de partículas pequeñas puede causar enfermedades respiratorias o de otro tipo. Controle el polvo en su fuente, siempre que sea posible. Utilice buenas prácticas de trabajo, tal como trabajar de manera que el viento o el proceso de corte dirija el polvo producido por la herramienta de corte en sentido opuesto del operador. Observe las recomendaciones emitidas por EPA/ OSHA/NIOSH y las asociaciones de trabajo y los sindicatos con respecto al polvo ("materia particulada"). Cuando sea imposible eliminar significativamente la inhalación del polvo, es decir mantener el nivel cerca del valor ambiente, el operador y las personas que se encuentren en la cercanía siempre deberán usar un respirador aprobado por NIOSH/MSHA para el tipo de polvo presente en el lugar.

**Instrucciones de manejo**

**⚠ Advertencia!**

No maneje la herramienta motorizada usando el bloqueo de acelerador para arranque, pues no tendrá control de la velocidad del motor.

En caso de emergencia, apague el motor inmediatamente – mueva el control deslizando / interruptor de parada a 0 o STOP.

**⚠ Advertencia!**

El accesorio de corte sigue girando por un rato después que se suelta el gatillo de aceleración (efecto de volante).



**⚠ Advertencia!**

El accesorio de corte giratorio puede arrojar objetos extraños a gran distancia directa o indirectamente.



Para reducir el riesgo de ocasionar lesiones a los ojos u otras partes del cuerpo (vea el capítulo "Vestimenta adecuada"), asegúrese que las personas estén a por lo menos 15 m (50 pies) de distancia de la máquina. Para reducir el riesgo de ocasionar daños a la propiedad, mantenga esta distancia con respecto a los vehículos y las ventanas. Los trabajadores que deben quedar en la zona prohibida también deben usar gafas o protección ocular. Apague el motor inmediatamente si se le aproxima alguna persona.

**⚠ Advertencia!**



Antes de empezar a trabajar, inspeccione el área en busca de piedras, vidrio, alambre, pedazos de metal, basura u otros objetos sólidos. El accesorio de corte puede arrojar los objetos de esta clase.

**⚠ Advertencia!**

La orilladora/cortadora de matorrales normalmente se usa a nivel del suelo con el accesorio de corte paralelo al suelo. El uso de la orilladora/cortadora de matorrales sobre el nivel del suelo o con el accesorio de corte perpendicular al suelo puede incrementar el riesgo de lesiones, dado que el accesorio de corte queda casi totalmente expuesto y la herramienta motorizada es más difícil de controlar.

**⚠ Advertencia!**

Durante el corte, revise frecuentemente el apriete y la condición del accesorio de corte en intervalos regulares con el motor y el accesorio parados. Si nota un cambio en el comportamiento del accesorio durante el trabajo, apague el motor inmediatamente, espere hasta que se pare el accesorio de corte y revise el apriete de la tuerca que sujeta el accesorio y revise la cuchilla o el cabezal en busca de grietas, desgaste y daños.

**⚠ Advertencia!**

Una cuchilla o un cabezal suelto puede vibrar, agrietarse, romperse o salirse de la orilladora/cortadora de matorrales, lo que puede provocar lesiones graves o mortales. Asegúrese que el accesorio de corte esté correctamente apretado. Utilice la llave suministrada o cualquier otra que tenga el largo adecuado para obtener el par de apriete adecuado. Si la cuchilla o el cabezal se suelta después de haberlo apretado correctamente, deje de usar la máquina inmediatamente. La tuerca de retención puede estar desgastada o dañada y debe ser sustituida. Si la cuchilla o el cabezal continúa aflojándose, consulte al concesionario STIHL. No use nunca una orilladora/cortadora de matorrales con un accesorio de corte suelto.

**⚠ Advertencia!**

Sustituya inmediatamente un cabezal trizado, dañado o desgastado o una cuchilla trizada, combada, deformada, dañada, desafilada o desgastada, incluso si solamente hay rayas superficiales. Los accesorios en esa condición pueden romperse a alta velocidad y causar lesiones graves o mortales.

**⚠ Advertencia!**

Cuando utilice cuchillas rígidas, evite cortar cerca de vallas, edificios, tocones, piedras u otros objetos de ese tipo que puedan causar contragolpe de la herramienta motorizada o daños a la cuchilla. Para ese tipo de trabajo, STIHL

recomienda el uso de cabezas con hilo de nilón. Además, tenga en cuenta que en estos casos aumenta la posibilidad de que ocurran rebotes.

**⚠ Advertencia!**

Si el cabezal, la cuchilla o el deflector se atasca o queda pegado, siempre apague el motor y asegúrese que el accesorio de corte está detenido antes de limpiarlo. Quite el pasto, las malezas, etc. de la cuchilla o de alrededor del cabezal en intervalos regulares.

**⚠ Advertencia!**

Para reducir el riesgo de la rotación inesperada del accesorio de corte y la posibilidad de sufrir lesiones, siempre apague el motor y quite el casquillo de la bujía antes de sustituir el accesorio de corte. Para reducir el riesgo de sufrir lesiones, siempre apague el motor antes de ajustar el largo del hilo de nilón en las cabezas segadoras de ajuste manual.

**⚠ Advertencia!**

La caja de engranajes está caliente durante el funcionamiento de la máquina. Para reducir el riesgo de lesiones por quemaduras, no toque la caja de engranajes cuando está caliente.

### **Advertencia!**

El silenciador y otros componentes del motor (por ej., aletas del cilindro, bujía) se calientan durante el funcionamiento y permanecen calientes por un buen rato después de apagar el motor. Para reducir el riesgo de quemaduras, no toque el silenciador y otros componentes mientras están calientes.

### **Advertencia!**

Para reducir el riesgo de incendio y lesiones por quemadura, mantenga limpia la zona alrededor del silenciador. Quite el lubricante excesivo y toda la basura tal como las agujas de pinos, ramas u hojas. Deje que el motor se enfríe apoyado sobre una superficie de hormigón, metal, suelo raso o madera maciza, lejos de cualquier sustancia combustible.

### **Advertencia!**

Nunca modifique el silenciador. El silenciador podría dañarse y causar el aumento de la radiación de calor o chispas, aumentando así el riesgo de incendio y lesiones por quemadura. Además, se podría dañar permanentemente el motor. Haga reparar el silenciador únicamente por el concesionario de servicio STIHL.

## Convertidor catalítico

### **Advertencia!**



Algunas herramientas motorizadas STIHL están equipadas con un convertidor catalítico, el que está diseñado para reducir las emisiones de escape del motor mediante un proceso químico en el silenciador. Debido a este proceso, el silenciador no se enfría tan rápidamente como los del tipo convencional cuando el motor regresa a ralentí o es apagado. Para reducir el riesgo de incendio y de lesiones por quemadura, es necesario respetar las siguientes medidas de seguridad específicas.

### **Advertencia!**

Como un silenciador con convertidor catalítico se enfría más lentamente que los silenciadores convencionales, apoye siempre su herramienta motorizada en posición vertical y no la coloque nunca donde el silenciador quede cerca de material seco como por ejemplo matorrales, pasto o virutas de madera, o sobre otros materiales combustibles mientras todavía está caliente.

### **Advertencia!**

Una caja de cilindro dañada o mal instalada, o una envuelta del silenciador dañada o deformada, puede perjudicar el proceso de enfriamiento del convertidor catalítico. Para reducir el riesgo de incendio o lesiones por quemadura, no continúe trabajando con una caja de cilindro dañada o mal instalada, o una envuelta del silenciador dañada o deformada.

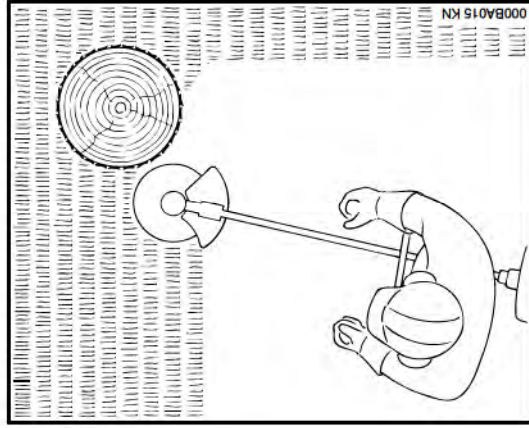
El convertidor catalítico está dotado de rejillas diseñadas para reducir el riesgo de incendio debido a la emisión de partículas calientes. Debido al calor de la reacción catalítica, estas rejillas normalmente permanecen limpias y no necesitan servicio o mantenimiento. Si el rendimiento de su máquina comienza a disminuir y sospecha que las rejillas están obstruidas, haga reparar el silenciador por un concesionario de servicio STIHL.

## USO DE LOS ACCESORIOS DE CORTE

Para una ilustración de los diversos accesorios de corte y las instrucciones sobre el montaje correcto, vea el capítulo sobre "Montaje de los accesorios de corte" en su manual de instrucciones.

### ⚠ Advertencia!

Para reducir el riesgo de lesiones personales o la muerte debido al contacto con las cuchillas y/o a la pérdida de control, nunca intente usar una cuchilla metálica en una máquina modelo FS no aprobada para esta aplicación.



## Uso de las cabezas segadoras

No use con un hilo de segado más largo que el deseado. Con un deflector debidamente instalado, la cuchilla limitadora integral automáticamente ajusta el hilo al largo adecuado.

Al usar la máquina con un hilo de nilón de largo excesivo se aumenta la carga del motor y se reduce la velocidad de funcionamiento. Esto hace que el embrague patine continuamente y resulta en sobrecalentamiento y daño de los componentes importantes (por ejemplo, el embrague y las piezas de polímero de la caja). Un efecto de este tipo de daño puede ser la rotación del accesorio de corte cuando el motor está a la velocidad de ralentí.

Sin embargo, el cabezal PolyCut de STIHL con cuchilla de polímero produce un mejor corte si no hay plantas a lo largo de la orilla del césped. No es necesario afilar y las cuchillas de polímero desgastadas se pueden cambiar fácilmente.

### ⚠ Advertencia!

Para reducir el riesgo de lesiones graves, nunca use un hilo de alambre o reforzado con metal ni ningún otro material en lugar de los hilos de corte de nilón. Es posible que unos pedazos de alambre sean desprendidos y arrojados a gran velocidad contra el operador o terceros.

## Cabeza segadora SuperCut de STIHL

El hilo se avanza automáticamente. Los hilos deshilachados se reemplazan con un ajuste sencillo (consulte la hoja de instrucciones provista con la cabeza segadora).

## Cabeza segadora TrimCut de STIHL

Los hilos deshilachados se reemplazan con un ajuste sencillo (consulte la hoja de instrucciones provista con la cabeza segadora).

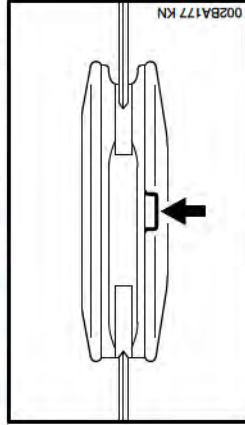
## Cabeza segadora AUTOCUT de STIHL

El hilo de corte de nilón avanza automáticamente cuando se le golpea contra el suelo (característica TapAction).

Las cabezas segadoras deben usarse solamente en las orilladoras/cortadoras de malezas con una cuchilla limitadora del hilo en el deflector para mantener el hilo al largo correcto (vea el capítulo "Piezas y controles" en el manual de instrucciones).

Si las orillas del césped tienen árboles o están bordeadas por un cerco, etc., es mejor usar el cabezal de hilo de nilón. Deja un corte más "suave" con menos riesgo de dañar la corteza de los árboles, etc., que si se usan cuchillas de polímero.

### Cabeza segadora PolyCut de STIHL



Utiliza ya sea hilos de nilón o cuchillas de polímero pivotantes no rígidas.

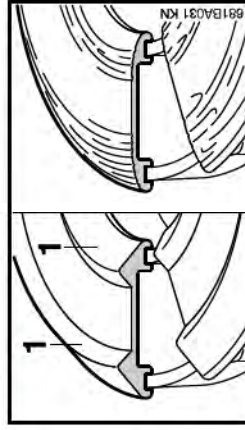
#### ⚠ Advertencia!

En la base (periferia) de la PolyCut hay tres marcas rectangulares de límite de desgaste. Para reducir el riesgo de lesiones graves causadas por la rotura de la cabeza o de las cuchillas, la PolyCut no debe ser utilizada cuando se ha desgastado hasta una de estas marcas. Es importante seguir las instrucciones para el mantenimiento suministradas con la cabeza segadora.

### Cabeza segadora FixCut de STIHL

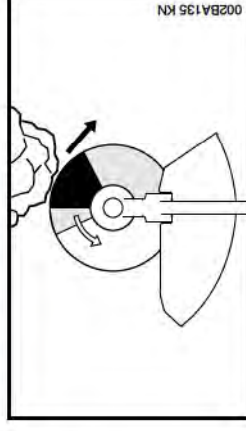
Utiliza tramos de largo fijo del hilo de nilón.

Observe los indicadores de desgaste.



No siga trabajando con la cabeza segadora si le faltan las piezas moldeadas (1) elevadas en la base o si las mismas están desgastadas - vea la ilustración arriba a la derecha. En este caso, la cabeza segadora puede astillarse y los objetos lanzados pueden ocasionar lesiones al operador o a las personas que se encuentren en la cercanía. Instale una cabeza segadora nueva.

El riesgo de expulsión (disparo de la cuchilla) existe con todas las cuchillas rígidas

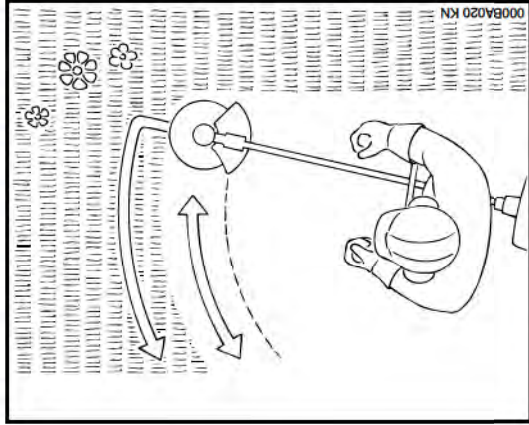


#### ⚠ Advertencia!

La expulsión (disparo de la cuchilla) es el movimiento repentino y no controlado hacia el lado derecho o posterior del operador que puede suceder cuando la zona sombreada (especialmente la zona muy oscura) de la cuchilla giratoria entra en contacto con un objeto macizo tal como un árbol, roca, arbusto o pared. La rápida rotación en sentido contrahorario puede ser detenida o aminorada y el accesorio de corte puede salir despedido hacia la derecha o detrás.

Esta expulsión (disparo de la cuchilla) puede ocasionar la pérdida de control de la herramienta motorizada y provocar lesiones graves o mortales al usuario o a personas en su proximidad. Para reducir el riesgo, es necesario extremar las precauciones a la hora de cortar con la zona sombreada de cualquier cuchilla rígida.

### Uso de la cuchilla de cortar pasto



Todos los tipos de pasto y malezas se pueden cortar fácilmente con la cuchilla de cortar pasto. Para ello, la herramienta motorizada se mueve en forma de arco, como si fuera una guadaña.

#### ⚠ Advertencia!

Para reducir el riesgo de lesiones graves o mortales debido a la rotura de la cuchilla, no intente nunca cortar madera con esta cuchilla.

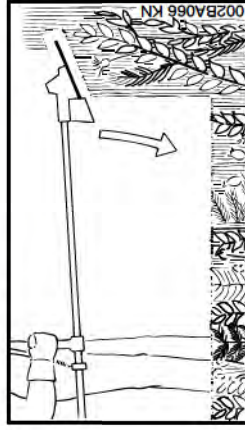
La función de la cuchilla de 4 dientes es la de cortar pasto y malezas. Tiene 4 cuchillos con filo en los dos lados, estos, en las partes delantera y trasera. Cuando los bordes cortantes en un lado se desafilan, es posible invertir la cuchilla para usar los bordes cortantes en el otro lado.

Recomendamos la cuchilla de 8 dientes de cortar pasto para los casos en que haya que cortar helechos o cañas.

Los dos tipos de cuchillas para cortar pasto deben ser afiladas al desgastarse sus filos o bordes cortantes.

### Uso de la cuchilla para matorrales

Cuando se instala la cuchilla para matorrales en la herramienta motorizada, es adecuada para cortar desde pasto hasta malezas, plantas silvestres y arbustos.



Para cortar plantas y arbustos silvestres, baje la cuchilla giratoria para matorrales hasta la planta para crear un efecto de picado, pero mantenga la herramienta por debajo del nivel de la cintura en todo momento.

#### ⚠ Advertencia!

Tenga **sumo cuidado** al emplear este método de corte. Cuanto mayor sea la distancia entre el accesorio de corte y el suelo, mayor es el riesgo de perder el control o lanzar objetos por los lados.

Utilice la herramienta motorizada como una guadaña para cortar pasto, es decir, haga pasadas en uno y otro sentido, describiendo un arco.

#### ⚠ Advertencia!

Al cortar materiales parecidos a madera, utilice el lado izquierdo de la cuchilla para evitar la "expulsión" (disparo de la cuchilla).

#### ⚠ Advertencia!

El uso incorrecto de una cuchilla para matorrales puede causar agrietaciones, picaduras o roturas. Las piezas de cuchilla lanzadas pueden causar lesiones graves o mortales al operador o a terceros. Para reducir el riesgo de lesiones, evite el contacto con objetos duros o macizos tales como piedras, rocas u objetos metálicos.

#### ⚠ Advertencia!

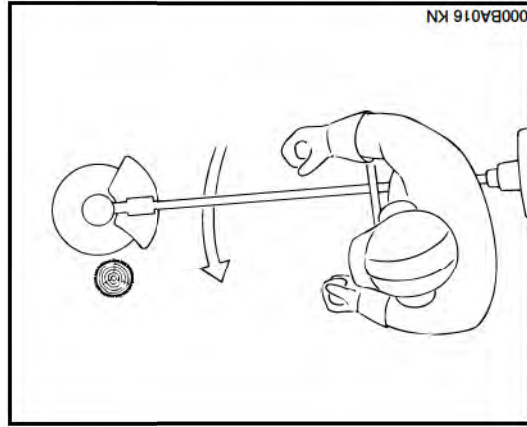
Al cortar árboles jóvenes y otros materiales de hasta 2 cm (3/4 pulg) de diámetro, utilice el lado izquierdo de la cuchilla para evitar la "expulsión" de la misma (consulte la sección "El riesgo de expulsión (disparo de la cuchilla) existe con todas las cuchillas rígidas"). No intente cortar materiales parecidos a la madera cuyo diámetro sea mayor, puesto que la cuchilla puede atorarse o tirar de la herramienta motorizada repentinamente hacia adelante. Esto puede dañar la cuchilla o la herramienta motorizada, o causar la pérdida de control de la misma, lo cual puede resultar en lesiones personales. Utilice una sierra circular para estos tipos de trabajos.



**⚠ Advertencia!**

Inspeccione la cuchilla para matorrales a intervalos periódicos y cortes en busca de daños. No continúe trabajando con una cuchilla para matorrales que esté dañada. Afíle la cuchilla para matorrales periódicamente (cuando ha perdido su filo de modo apreciable).

**Uso de la sierra circular**



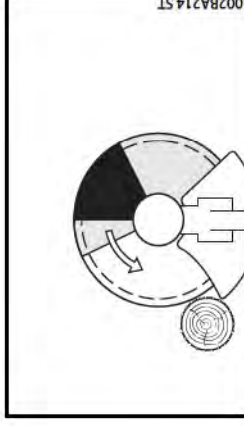
Las sierras circulares son adecuadas para recortar matorrales y cortar árboles pequeños de hasta 4 cm (1-1/2 pulg) de diámetro. No intente cortar árboles cuyo diámetro sea mayor, puesto que la cuchilla puede atorarse o tirar de la

orilladora/cortadora de matorrales repentinamente hacia adelante. Esto puede dañar la cuchilla o causar la pérdida de control de la herramienta motorizada, lo cual puede resultar en lesiones personales graves. Utilice una motosierra para estos tipos de trabajos.

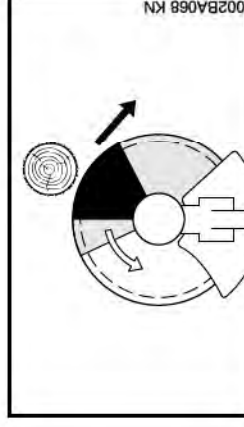
**⚠ Advertencia!**

Para reducir el riesgo de rayar y/o romper la cuchilla, evite todo contacto con piedras, rocas o el suelo. Afíle las cuchillas oportunamente de la manera especificada – los dientes desafilados pueden hacer que la cuchilla se agriete o se rompa.

Si se usa la orilladora/cortadora de matorrales con una sierra circular para cortar árboles pequeños, STIHL recomienda retirar el deflector estándar y sustituirlo con el deflector estándar especial (vea el capítulo "Montaje del deflector"). Este tope ayuda a mantener la máquina en su posición contra el árbol durante el proceso de corte. Los usuarios con poca experiencia deben colocar el lado izquierdo del tope contra el tronco del árbol antes de iniciar el corte. Esto mantiene la orilladora/cortadora de matorrales contra el árbol durante la operación de corte y reduce el riesgo de pérdida de control y posible expulsión (descrito más arriba y brevemente otra vez más abajo).



Antes de iniciar el corte, acelere el motor a su velocidad máxima. Efectúe el corte aplicando presión uniforme. STIHL recomienda aplicar la sierra circular por el lado derecho del árbol, usando la zona no sombreada de la cuchilla, tal como se muestra en la ilustración de arriba.



**⚠ Advertencia!**

El riesgo de expulsión de la cuchilla es mayor cuando se corta en la zona sombreada oscura. Para reducir el riesgo de expulsión y las lesiones consecuentes, no utilice esta zona de la sierra circular para cortar árboles ni arbustos. Las técnicas especiales que utilizan las zonas sombreadas más claras de la cuchilla para cortar arbustos y árboles sólo deben ser usadas por operadores expertos con capacitación especializada en cuanto al uso y control de la orilladora/cortadora de matorrales.

**⚠ Advertencia!**

Para reducir el riesgo de la pérdida de control y de lesiones graves al operador o a terceros causadas por la expulsión de la cuchilla, utilice una sierra circular solamente en una orilladora/cortadora de matorrales equipada con un manillar tipo bicicleta, no un mango tórico.

Durante la tala de árboles pequeños, mantenga una distancia de por lo menos dos veces el largo del árbol con respecto a la persona más cercana.

**⚠ Advertencia!**

Para reducir el riesgo de lesiones causadas por los objetos lanzados o por el contacto con la herramienta de corte, cerciórese de volver a instalar el deflector estándar cuando no está usando un sierra circular.

**MANTENIMIENTO, REPARACION Y ALMACENAMIENTO**

Los trabajos de mantenimiento, reemplazo o reparación de los dispositivos y sistemas de control de emisiones de escape pueden ser realizados por cualquier taller o técnico de motores no diseñados para vehículos. Sin embargo, si usted está reclamando cobertura de garantía para algún componente que no ha sido reparado o mantenido debidamente, o cuando se utilizan repuestos no autorizados, STIHL puede denegar la garantía.

**⚠ Advertencia!**

Utilice solamente piezas de repuesto de STIHL para el mantenimiento y reparación. El uso de piezas no fabricadas por STIHL puede causar lesiones graves o mortales.

Siga precisamente las instrucciones de mantenimiento y reparación dadas en las secciones correspondiente del manual de instrucciones.

**⚠ Advertencia!**

Siempre apague el motor y verifique que el accesorio de corte está parado antes de llevar a cabo cualquier trabajo de mantenimiento, reparación o limpieza de la herramienta motorizada. No intente hacer ningún trabajo de mantenimiento o reparación que no esté descrito en su manual de instrucciones. Este tipo de trabajo debe ser realizado únicamente por el concesionario de servicio de STIHL.

Use guantes para manipular o reparar las cuchillas.

**⚠ Advertencia!**


Use la bujía especificada y asegúrese de que ella y el cable de encendido están limpios y en buen estado. Siempre inserte el casquillo de la bujía bien apretado en el borne de la bujía del tamaño adecuado. (Nota: Si el borne tiene una tuerca adaptadora SAE desmontable, tiene que ser firmemente instalada.) Una conexión suelta entre la bujía y el conector del cable de encendido en el casquillo puede crear un arco voltaico y encender los vapores del combustible y provocar un incendio.

**⚠ Advertencia!**

No pruebe nunca el sistema de encendido con el casquillo desconectado de la bujía, o sin tener instalada la bujía, ya que las chispas al descubierto pueden causar un incendio.

**⚠ Advertencia!**

Nunca maneje su herramienta motorizada si el silenciador está dañado, se ha perdido o si fue modificado. Un silenciador mal cuidado aumenta el riesgo de incendio y puede causar pérdida del oído. Si el silenciador está equipado con un chispero para reducir el riesgo de incendio, no maneje nunca su herramienta motorizada si le falta el chispero o está dañado. Recuerde que el riesgo de incendios forestales es mayor durante las estaciones calurosas y secas.

 **Advertencia!**

Nunca repare los accesorios de corte dañados aplicándoles soldadura, enderezándolos o modificándoles su forma. Esto puede causar el desprendimiento de alguna pieza del accesorio de corte y producir lesiones graves o mortales.

Mantenga las cuchillas afiladas. Apriete todas las tuercas, pernos y tornillos, excepto los tornillos de ajuste del carburador, después de cada uso.

Guarde la herramienta motorizada en un lugar seco y elevado o con llave lejos del alcance de los niños.

Antes de guardar la máquina durante un período de más de algunos días, siempre vacíe el tanque de combustible. Consulte el capítulo "Almacenamiento de la máquina" en el manual de instrucciones.

## Combinaciones aprobadas de herramienta de corte, deflector, mango y arnés

### Herramientas de corte

- 1 STIHL SuperCut 20-2
- 2 STIHL AutoCut 25-2
- 3 STIHL AutoCut 30-2
- 4 STIHL TrimCut 30-2
- 5 STIHL PolyCut 20-3
- 6 STIHL FixCut 25-2
- 7 Cuchilla para pasto 230-4
- 8 Cuchilla para pasto 230-8
- 9 Cuchilla para matorrales 250
- 10 Sierra circular 200 con dientes raspadores
- 11 Sierra circular 200 con dientes tipo cincel

No se permite el uso de cuchillas para pasto, cuchillas para matorrales y de sierras circulares hechas de cualquier otro material no metálico.

### Deflectores

- 12 Deflectores para cabezas segadoras **solamente**
- 13 Deflector con
- 14 Faldilla y cuchilla para todas las cabezas segadoras (vea "Montaje del deflector")
- 15 Deflector **sin** faldilla y cuchilla para todas las herramientas de corte metálicas y la cuchilla para matorrales
- 16 Tope limitador para sierras circulares

### Mangos

- 17 Mango tórico
- 18 Mango tórico con
- 19 Barra de defensa
- 20 Manillar de bicicleta

### Arneses

- 21 Se puede usar la correa para hombro
- 22 Es obligatorio usar la correa para hombro
- 23 Se puede usar el arnés completo
- 24 Es obligatorio usar el arnés completo

### Equipo

Entre otras cosas, la unidad completa incluye:

- Herramienta de corte
- Deflector
- Mango
- Arnés (sólo unidad con manillar tipo bicicleta)

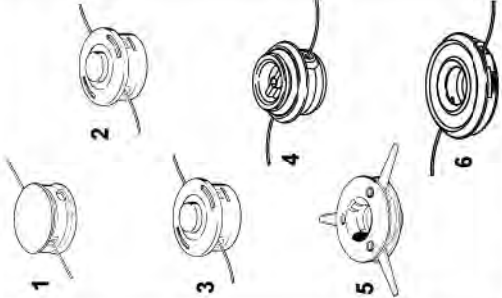
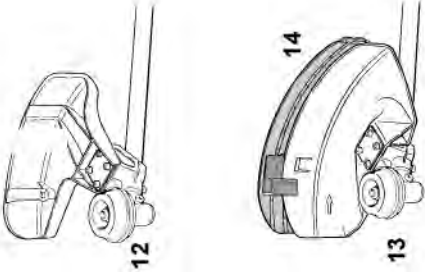
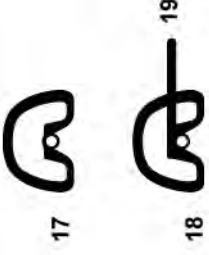

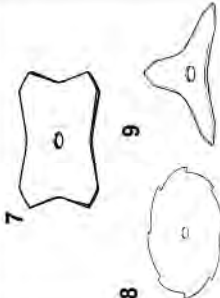
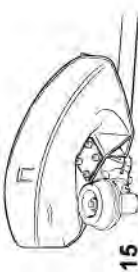
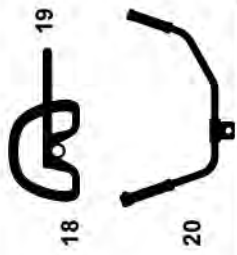
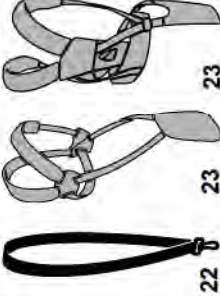
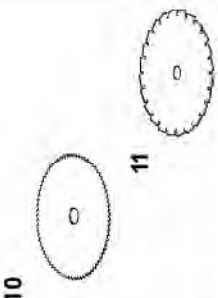



Seleccione la combinación correcta de la tabla según la herramienta de corte que se desee utilizar. Lea la tabla en sentido horizontal, de izquierda a derecha. Otras combinaciones, por ejemplo, las obtenidas leyendo la tabla en sentido diagonal, no se permiten.

### ⚠ Advertencia

Para reducir el riesgo de sufrir lesiones por objetos lanzados y el contacto con las cuchillas, nunca maneje la máquina sin tener instalado el deflector apropiado para el accesorio de corte en uso. Para reducir el riesgo de sufrir lesiones debido a la pérdida de control y/o al contacto con la herramienta de corte, asegúrese que su máquina está equipada con el mango y arnés correctos para el tipo de accesorio de corte que está usando.

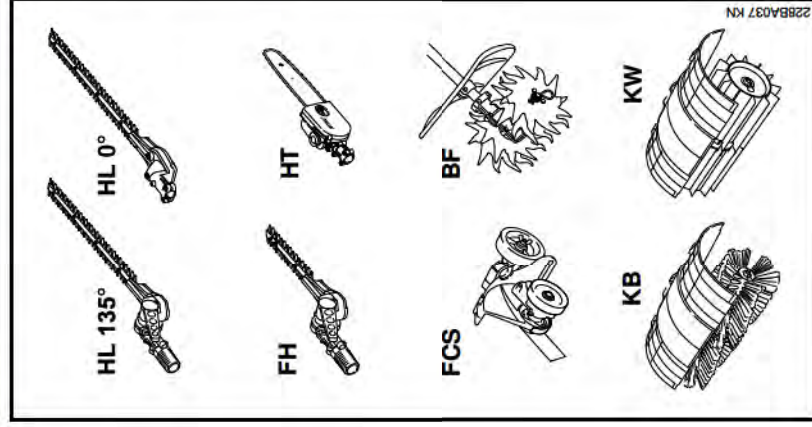
### ⚠ Advertencia

Las cortadoras de matorrales STIHL con mango tórico y sin barra de defensa sólo pueden usarse con la cabeza segadora arriba indicada con hilo de nilón o cuchillas de plástico. Otras herramientas de corte de plástico o metálicas, pero no sierras circulares, pueden usarse en las cortadoras de matorrales con manillar o con mango tórico y barra de defensa para reducir el riesgo de lesiones causadas por el contacto con la herramienta de corte. Las sierras circulares sólo pueden usarse en cortadoras de matorrales con manillar tipo bicicleta.

Herramienta de corte	Deflector	Mango	Arnés / Correa para hombro
 <p>1, 2, 3, 4, 5, 6</p>	 <p>12, 13, 14</p>	 <p>17, 18, 19</p>	 <p>21, 22</p>
 <p>7, 8, 9</p>	 <p>15</p>	 <p>18, 19, 20</p>	 <p>22, 23</p>
 <p>10, 11</p>	 <p>16</p>	 <p>20</p>	 <p>24</p>

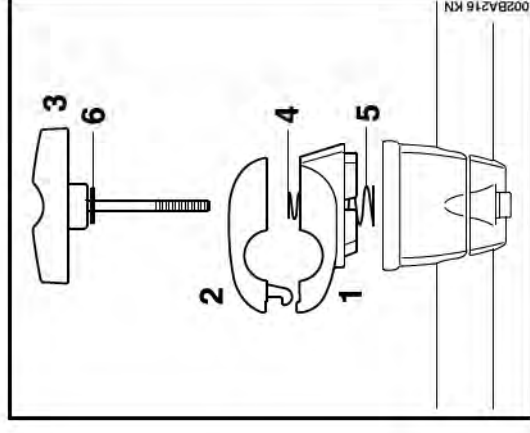
## Accesorios aprobados para herramientas motorizadas

Estos accesorios STIHL pueden instalarse en la herramienta motorizada de base:



Los accesorios de herramientas motorizadas STIHL están disponibles para convertir rápidamente la máquina FS de un solo uso en otras herramientas motorizadas muy útiles.

## Montaje del manillar tipo bicicleta

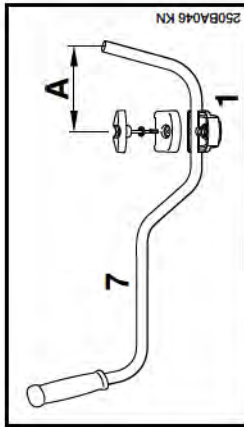


Accesorio	Aplicación
BF <sup>1)</sup>	Cultivadora
FCS <sup>2)3)</sup>	Orilladora
FH <sup>1)</sup>	Motoguadaña
HL 0° <sup>2)</sup>	Cortasetos
HL 135° <sup>1)2)</sup>	Cortasetos (ajustable)
HT <sup>2)</sup>	Podador de varilla
KB (4601) <sup>2)</sup>	Cepillo barredor
KW (4601) <sup>2)</sup>	Barredora PowerSweep
KW (4602) <sup>2)</sup>	Barredora PowerSweep

- 1) La **barra de defensa** debe instalarse en el mango tórico
- 2) El accesorio no ha sido aprobado para usarse en máquinas con manillar tipo bicicleta.
- 3 La correa para el hombro no es necesaria

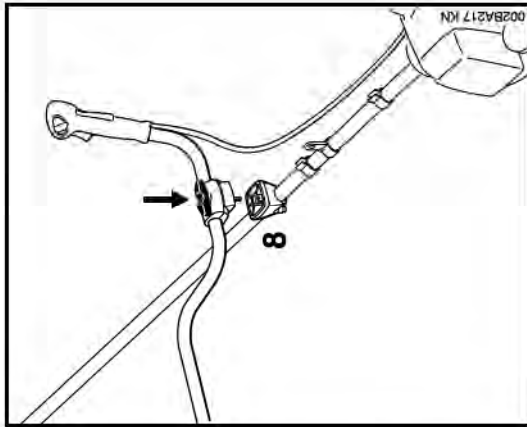
## Retiro de las piezas moldeadas de fijación

- Sujete firmemente la abrazadera inferior (1) y la abrazadera superior (2).
- Suelte el tornillo mariposa (3).
- Las abrazaderas están sueltas cuando el tornillo mariposa está suelto. Los resortes (4 y 5) las separan.
- Extraiga el tornillo mariposa.
- La arandela (6) quedará con el tornillo mariposa.
- Separe las abrazaderas.
- Los resortes (4) y (5) quedan en la abrazadera inferior.

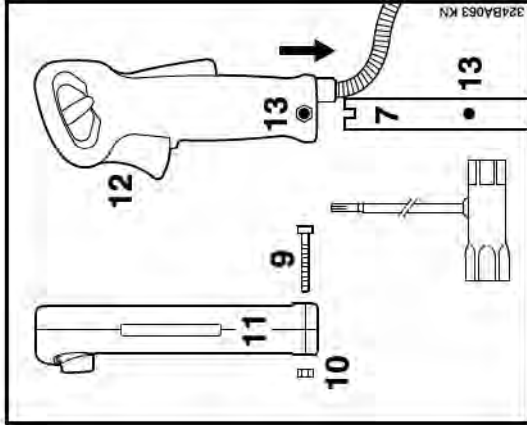


### Montaje del manillar

- Coloque el manillar (7) en la abrazadera inferior (1) de manera que la distancia **A** no sea de más de 15 cm (6 pulg).
- Coloque la abrazadera superior en su lugar y mantenga juntas ambas abrazaderas.
- Empuje el tornillo mariposa, con la arandela, a través de las dos abrazaderas hacia el tope – mantenga juntas todas las piezas y sujételas.



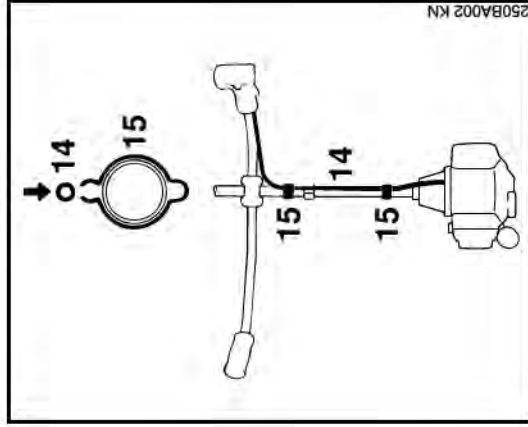
- Coloque el conjunto armado en el soporte del mango (8) con el tornillo mariposa en el lado del motor.
- Empuje el tornillo mariposa hasta el tope en el soporte del mango y atornillelo, pero no al valor de apriete final.
- Alinee el manillar perpendicular al tubo de mando y vuelva a medir la dimensión **A**.
- Apriete el tornillo mariposa firmemente.




### Montaje del mango de control

- Suelte el tornillo (9). La tuerca (10) permanece en el mango de control (11).
- Empuje el mango de control – el gatillo de aceleración (12) debe quedar orientado hacia la caja de engranajes – sobre el manillar (7) de manera que los agujeros (13) se alineen.
- Inserte el tornillo y apriételo bien firme.

## Montaje del mango tórico



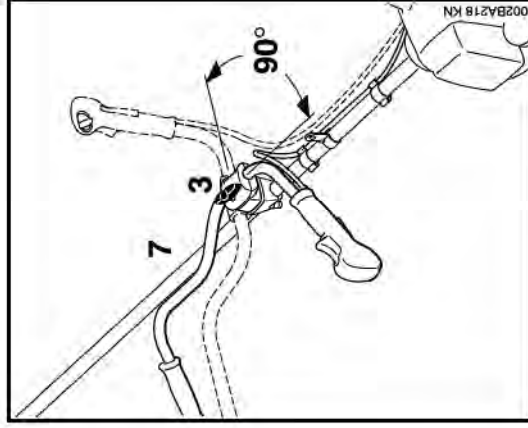
### Instalación del cable del acelerador

 No tuerza el cable del acelerador ni forme curvas agudas al colocar el mismo – asegúrese de que el gatillo de aceleración se mueva libremente.

- Inserte el cable del acelerador (14) en los retenedores (15).

### Ajuste del cable del acelerador

- Pase al capítulo "Ajuste del cable del acelerador".



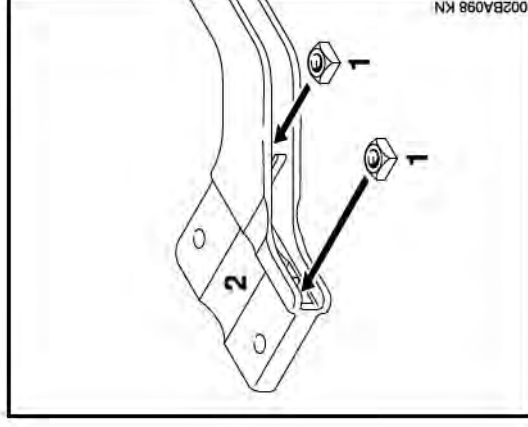
### Giro del manillar

#### Posición de transporte:

- Suelte el tornillo mariposa (3) y des-tornillelo hasta que el manillar (7) pueda girarse en sentido horario.
- Gire el manillar en 90° y luego gire hacia abajo los mangos.
- Apriete el tornillo mariposa firmemente.

#### Posición de trabajo:

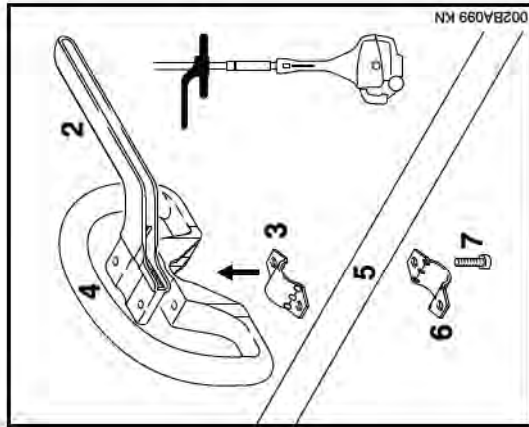
- Invierta la secuencia anterior para girar los mangos hacia arriba y girar el manillar en sentido contrahorario.



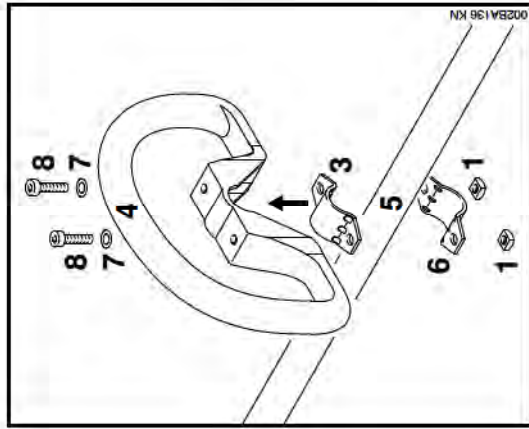
### Mango tórico con barra de defensa

- Inserte las tuercas cuadradas (1) en la barra de defensa (2).
- Alinee los agujeros.



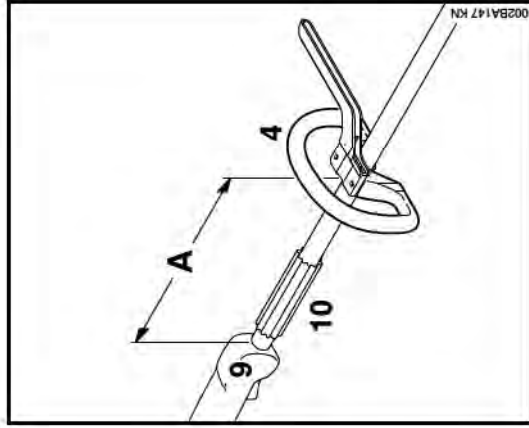


- Coloque la abrazadera (3) en el mango tórico (4) y ponga los dos en posición contra el tubo de mando (5).
- Instale la abrazadera (6) y coloque la barra de defensa (2) en posición. Observe la posición correcta.
- Alinee los agujeros.
- Inserte los tornillos (7) en los agujeros y atorníllelos en la barra de defensa hasta donde topen.
- Prosiga a "Fijación del mango tórico".



### Mango tórico sin barra de defensa

- Coloque la abrazadera (3) en el mango tórico (4) y ponga los dos en posición contra el tubo de mando (5).
- Coloque las arandelas (7) en los tornillos (8).
- Inserte los tornillos (8) en los agujeros y atorníllelos en las tuercas cuadradas (1) hasta donde topen.
- Prosiga a "Fijación del mango tórico".

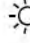


### Fijación del mango tórico

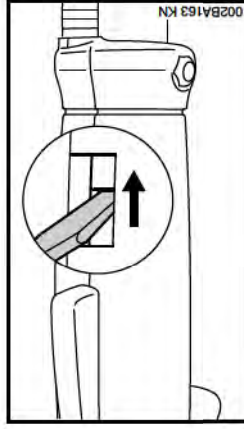
- Fije el mango tórico (4) aprox. a 8 pulg (20 cm) (A) delante del mango de control (9).
  - Alinee el mango tórico.
  - Apriete los tornillos firmemente y, si es necesario, trabe las tuercas.
- 10= Manguito\*

\* vea "Guía para el uso de este manual"

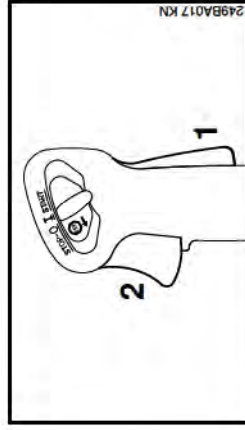
## Ajuste del cable del acelerador

 Un cable del acelerador correctamente ajustado es necesario para el funcionamiento correcto en las posiciones de máxima aceleración, arranque y ralenti.

Ajuste el cable del acelerador únicamente después de haber armado la máquina completamente – la manija debe estar en la posición de funcionamiento normal.

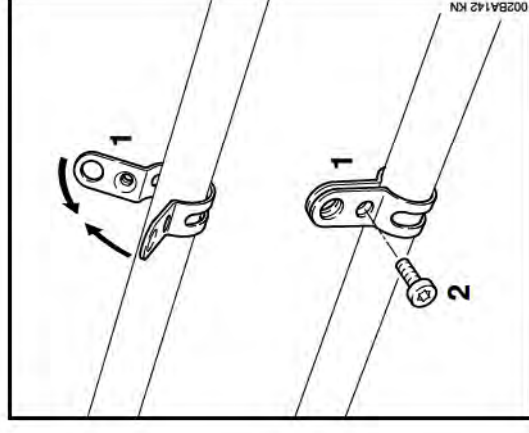


- Utilice una herramienta adecuada para empujar la pieza deslizante hasta la parte inferior de la ranura (vea la ilustración).



- Oprima el bloqueo (1) y oprima el gatillo de aceleración (2) (aceleración máxima) – esto ajusta el cable del acelerador correctamente.

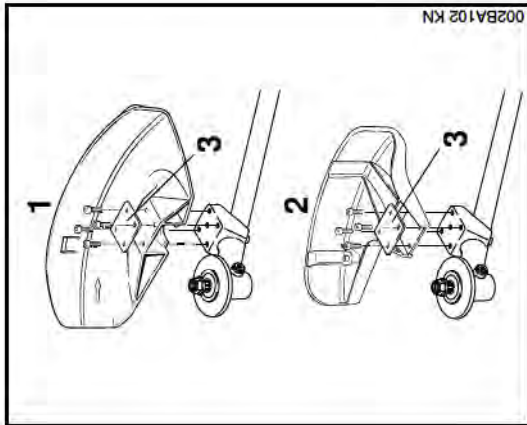
## Colocación de la argolla de transporte



- Para la posición de la argolla de transporte <sup>1)</sup> consulte la sección "Piezas y controles".
- Coloque la abrazadera (1) con el agujero roscado hacia el lado izquierdo del tubo de mando.
- Apriete juntos los dos extremos de la abrazadera y sosténgala en esa posición.
- Inserte el tornillo M6 x 14 (2).
- Alinee la argolla de transporte.
- Apriete el tornillo firmemente.

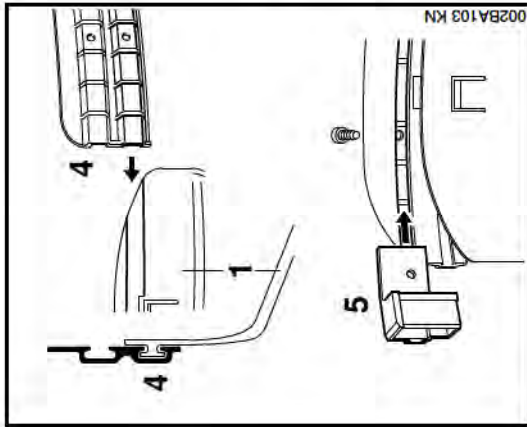
1) Parte del equipo estándar o disponible como un accesorio especial

## Montaje del deflector



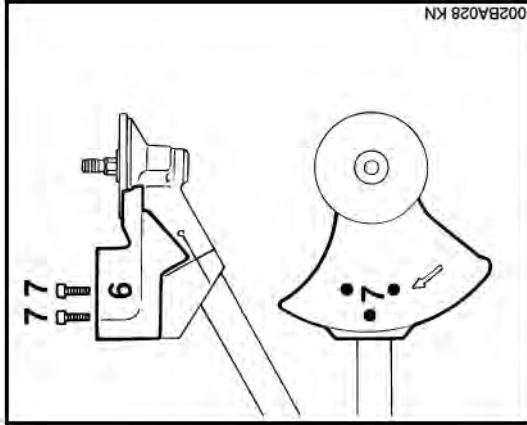
### Montaje del deflector

- 1 = Deflector aprobado para todas las herramientas segadoras.
  - 2 = Deflector aprobado para utilizarse con cabezas segadoras solamente.
- Coloque el deflector en el mecanismo.
  - Instale la placa (3) y alinéela.
  - Inserte los tornillos de M5 x 18 y apriételes firmemente.



### Instalación de la faldilla y cuchilla

- ⚠** Estas piezas deben instalarse en el deflector (1) cuando se utiliza una cabeza segadora:
- Deslice la ranura guía inferior de la faldilla (4) en el deflector (1) – debe encajar a presión en su lugar.
  - Empuje la cuchilla (5) dentro de la ranura guía superior en la faldilla y alinéela con el primer agujero.
  - Coloque el tornillo y apriétele firmemente.



### Montaje del tope

- Siempre instale el tope (6) cuando se use una sierra circular.
- Coloque el tope en la pestaña del mecanismo.
- Coloque los tres pernos M 5 x 18 (7) y apriételes bien firmes.

## Montaje de las herramientas de corte



### Preparaciones

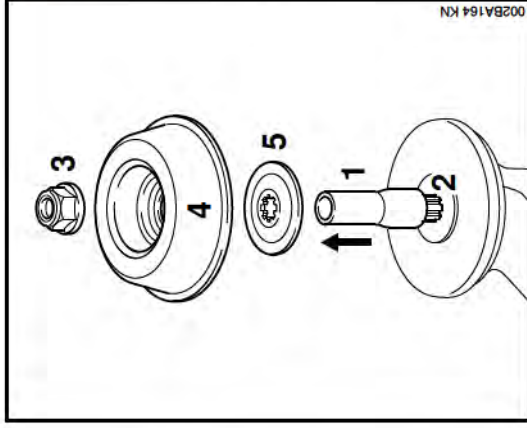
- Apoye la cortadora de matorrales en el suelo sobre su parte trasera con el mecanismo vuelto hacia arriba.

### Tornillería de montaje para herramientas de corte

La tornillería de montaje suministrada depende de la herramienta de corte incluida como equipo original con la nueva cortadora de matorrales.

### La tornillería de montaje no se embala con la máquina

- ⚠ Solamente las cabezas segadoras pueden montarse.



- Retire la manguera (1) (protección para el transporte) del eje (2).
- Pase a la sección "Montaje de la cabeza segadora".

- ⚠ Si desea instalar una herramienta de corte metálica en lugar de una cabeza segadora, necesitará las piezas adicionales siguientes:  
Tuerca (3), placa de refuerzo (4) y arandela de empuje (5) (accesorios especiales).

### La tornillería de montaje se embala con la máquina

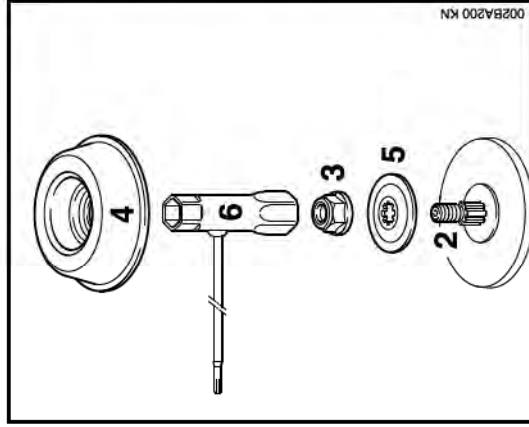
- ⚠ Se pueden montar cabeza segadoras y herramientas de corte metálicas.

### La tornillería de montaje está suelta

- Retire la manguera (1) (protección para el transporte) del eje (2).
- ⚠ La tuerca (3), placa de refuerzo (4) y arandela de empuje (5) se encuentran en el juego de piezas suministrado con la máquina.
- Pase a la sección "Montaje de la cabeza segadora" o "Montaje de las herramientas de corte metálicas".

### La tornillería de montaje se fija al mecanismo.

- Vea "Retiro de la tornillería de montaje".

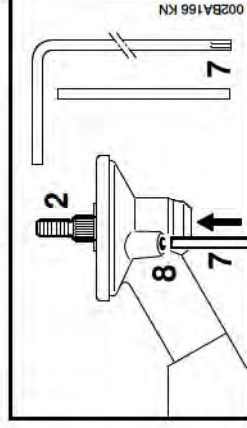


### Retiro de la tornillería de montaje

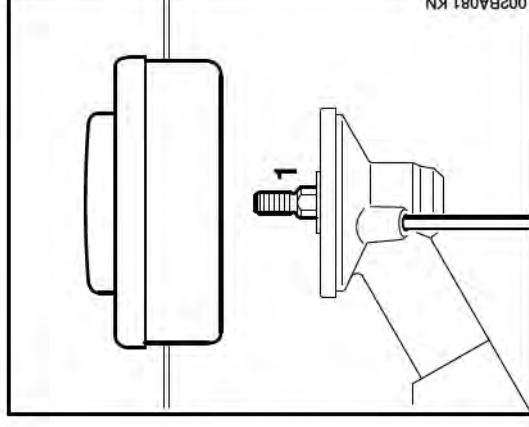
- Bloquee el eje – vea la sección siguiente, "Bloqueo del eje de salida".
- Use la llave combinada (6) (suministrada con la máquina o especial) para destornillar la tuerca (3) en sentido horario (roscas izquierda) del eje (2).
- Quite la arandela de empuje (5) del eje (2).

- La placa de refuerzo (4) se encuentra en el juego de piezas suministrado con la máquina
- Pase a la sección "Montaje de la cabeza segadora" o "Montaje de las herramientas de corte metálicas".

### Bloqueo del eje de salida



- Inserte el pasador de tope o destornillador (7) (suministrados con la máquina o disponibles como accesorios especiales) en la cavidad (8) del mecanismo hasta donde tope, aplicando una ligera presión.
- Gire la tuerca o la herramienta de corte en el eje (2) hasta que el pasador de tope se deslice a su lugar y bloquee el eje.



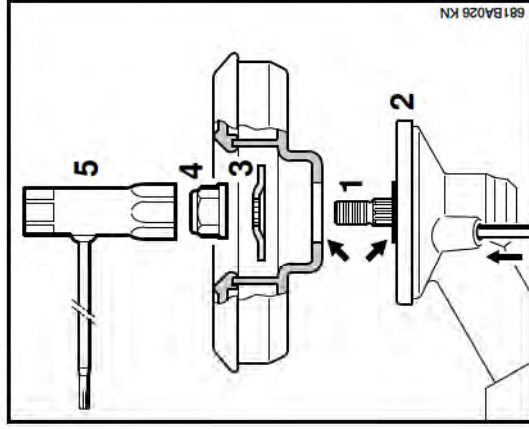
### Montaje de la cabeza segadora

Guarde la hoja de instrucciones de la cabeza segadora en un lugar seguro.

- Atornille la cabeza segadora  
STIHL SuperCut 20-2,  
STIHL AutoCut 25-2, 30-2  
STIHL TrimCut 30-2 ó  
STIHL PolyCut 20-3  
en sentido horario en el eje (1)  
hasta donde tope.
- Bloquee el eje de salida.
- Apriete la cabeza segadora.



Quite el pasador de tope.



### STIHL FixCut 25-2

- Coloque la cabeza segadora sobre la placa de empuje (2)
- ⚠ El collar (vea la flecha) debe encajar en el agujero de montaje de la cabeza segadora
- Empuje la arandela de empuje (3) sobre el eje (1) para que quede colocada contra la base.
- Bloquee el eje de salida.
- Con la llave combinada (5) atornille la tuerca de montaje (4) en sentido contrario en el eje de salida y apriéteala firmemente
- ⚙ Quite el pasador de tope.

### Retiro de la cabeza segadora

- Bloquee el eje de salida.
- STIHL SuperCut 20-2,  
STIHL AutoCut 25-2, 30-2,  
STIHL TrimCut 30-2,  
STIHL PolyCut 20-3
- Destornille la cabeza segadora en sentido horario.

### STIHL FixCut 25-2

- Utilice la llave combinada para des-entrosar la tuerca de montaje en sentido horario del eje de salida
- ⚠ Si la tuerca de montaje está demasiado floja, instale una nueva

### STIHL AutoCut

- Sujete la cabeza segadora sobre el suelo mientras está girando, golpee contra el suelo una vez, y avanzarán aproximadamente **3 cm (1-1/4 pulg)** de hilo nuevo.

La cuchilla en el deflector corta el hilo sobrante al largo correcto. Evite golpear la cabeza más de una vez.

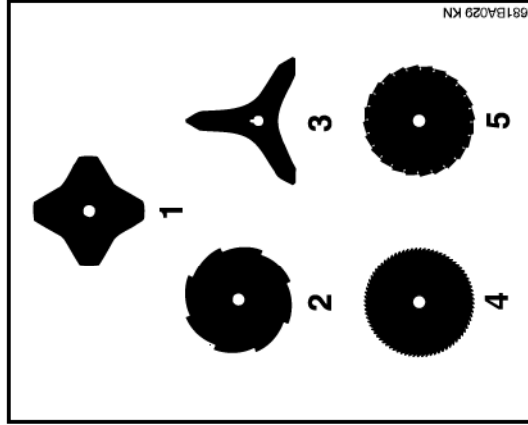
El avance del hilo funciona solamente si los **dos** hilos todavía tienen una longitud mínima de **2,5 cm (1 pulg)**.

### Todas las otras cabezas segadoras

- Consulte las instrucciones que se suministran con la cabeza segadora.
- ⚠ Para reducir el riesgo de sufrir lesiones, siempre apague el motor antes de ajustar el hilo de nilón con la mano.

### Sustitución del hilo de nilón o cuchillas de cortar pasto

- Consulte las instrucciones que se suministran con la cabeza segadora.

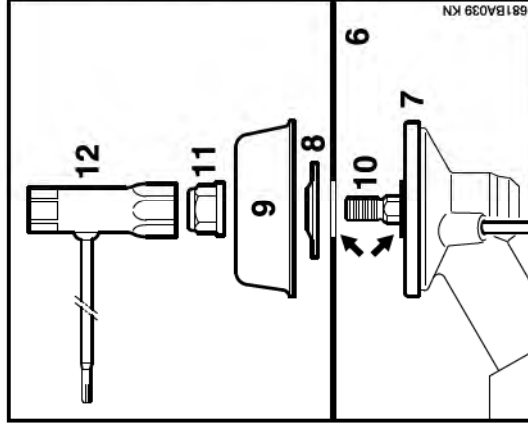


681BA29 KN

### Montaje de las herramientas de corte metálicas

- Quite la faldilla y cuchilla del deflector de la cabeza segadora antes de instalar la cuchilla para cortar pasto 230-4 (1), la cuchilla para cortar pasto 230-8 (2) o la cuchilla para cortar matorrales (3) – Consulte el capítulo "Montaje del deflector".

⚠ Instale el **tope limitador** apropiado antes de instalar la sierra circular con dientes raspadores 200 (4,5) – Consulte el capítulo "Montaje del deflector".



681BA09 KN

- Coloque la herramienta de corte (6) sobre la placa de empuje (7).

⚠ El collar (vea la flecha) debe encajar en el agujero de montaje de la herramienta de corte.

- Deslice la arandela de empuje (8) y la placa de refuerzo (9) sobre el eje de salida (10).

- Bloquee el eje de salida y
- Con la llave combinada (11), atornille la tuerca de montaje (12) en sentido contrario en el eje de salida y apriétela firmemente.

⚠ Si la tuerca de montaje está demasiado floja, instale una nueva.

### Retiro de la herramienta de corte

- Bloquee el eje de salida.
- Destornille la tuerca en sentido horario.
- Retire la herramienta de corte – no quite la placa de empuje (7).

- Apoye la máquina en el suelo sobre su parte trasera con el mecanismo vuelto hacia arriba.

Los bordes cortantes de (1) y (3) pueden quedar orientados en cualquier sentido.

Los bordes cortantes de (2), (4) y (5) deben apuntar en sentido horario.

⚠ El sentido de rotación está indicado por la flecha ubicada en la superficie interior del deflector de la cabeza segadora o del tope limitador.

## Motor 4-MIX

## Combustible

El motor **STIHL 4-MIX** se lubrica con gasolina y aceite y debe funcionar con una **mezcla** de gasolina y aceite para motor.

Por lo demás, es un motor de cuatro tiempos.

Este motor está certificado para funcionar con una mezcla de 50 a 1 de gasolina sin plomo y aceite STIHL para motores de dos tiempos.

Su motor requiere una mezcla de gasolina de calidad y aceite de calidad para motores de dos tiempos enfriados por aire.

Use gasolina sin plomo regular con un octanaje mínimo de 89 (R+M/2). Si el octanaje de la gasolina regular en su zona es más bajo, use combustible sin plomo superior.

El combustible de octanaje bajo puede aumentar la temperatura de funcionamiento del motor. Esto, a su vez, aumenta el riesgo de que se agarrote el pistón y se dañe el motor.

La composición química del combustible también es importante. Algunos aditivos de combustible no solamente tienen efectos perjudiciales en los elastómeros (diafragmas de carburador, sellos de aceite, tuberías de combustible, etc.), sino también en las piezas fundidas de magnesio y en los convertidores catalíticos. Esto podría causar problemas de funcionamiento e incluso daño del motor. Por esta razón, STIHL recomienda el uso exclusivo de gasolina sin plomo de buena calidad.

Use solamente el aceite STIHL para motores de dos tiempos o un aceite de marca equivalente para motores de dos tiempos diseñado para usar exclusivamente con los motores de dos tiempos enfriados por aire.

Recomendamos el aceite STIHL para motores de dos tiempos 50:1 pues está especialmente formulado para usarse en motores STIHL.

No use aceites para mezclar con designaciones BIA o TCW (para motores de dos tiempos enfriados por agua) ni otros aceites para mezclar diseñados para usar en motores enfriados por agua o por aire (por ejemplo, para motores marinos fuera de borda, motonieves, sierras de cadenas, bicimotos, etc.).

Manipule la gasolina con sumo cuidado. Evite el contacto directo con la piel y evite inhalar los vapores de combustible. Cuando se reabasteca de combustible, quite primero el envase del vehículo y colóquelo en el suelo antes de llenarlo. No llene un envase que está en un vehículo o apoyado sobre el mismo.

Mantenga el envase bien cerrado para evitar la entrada de humedad a la mezcla.

Según sea necesario, limpie el tanque de combustible de la máquina y el envase en que se guarda la mezcla de combustible.



## Llenado de combustible

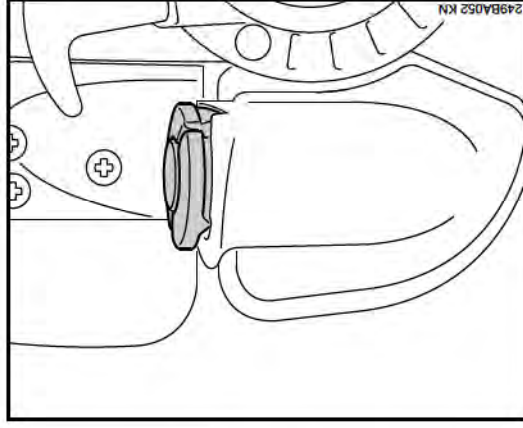
### Duración de la mezcla de combustible

Mezcle una cantidad suficiente de combustible para trabajar unos pocos días, no lo guarde por más de 3 meses. Guárdelo únicamente en envases aprobados para combustible. Para el proceso de mezclado, vierta el aceite en el envase primero y luego agregue la gasolina. Cierre el envase y agítelo vigorosamente a mano para asegurar que se mezclen bien el aceite y la gasolina.

Gasolina Aceite (STIHL 50:1 ó aceite de calidad equivalente)

gal EE.UU.	oz fl EE.UU.
1	2.6
2 1/2	6.4
5	12.8

Deseche los envases vacíos usados para mezclar el aceite únicamente en vertederos autorizados para ello.

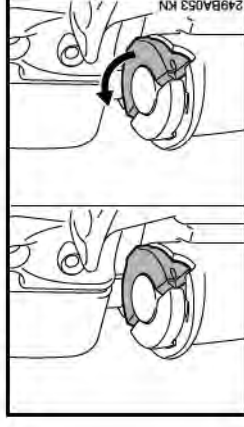


Antes de llenar la máquina con combustible, limpie a fondo la tapa de llenado y la zona alrededor del mismo para evitar la entrada de tierra al tanque.

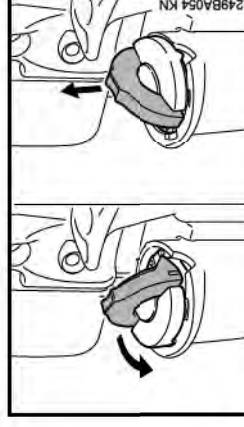
Siempre agite la mezcla vigorosamente en el recipiente antes de llenar la máquina con combustible.

**⚠** Para reducir el riesgo de quemaduras, así como otras lesiones corporales ocasionadas por los escapes de vapor de gasolina y otras emanaciones, quite la tapa de llenado de combustible cuidadosamente de modo que la presión que se pueda haber acumulado en el tanque se disipe lentamente.

### Apertura de la tapa



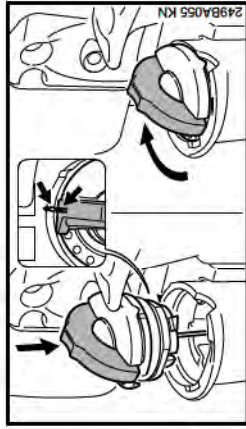
- Levante la empuñadura hasta que esté vertical.



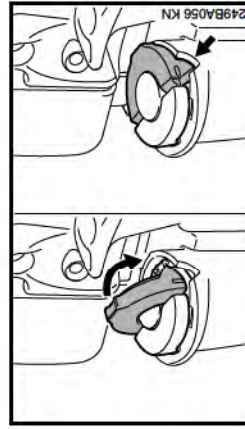
- Gire la tapa en sentido contrario a las agujas del reloj (aprox. un cuarto de vuelta).
- Quite la tapa de llenado.

## Colocación del arnés

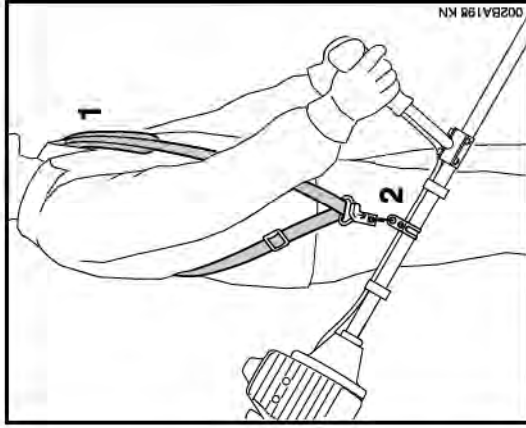
### Cierre de la tapa



- Coloque la tapa, con la empuñadura en posición vertical y las marcas alineadas.
- Gire la tapa en sentido horario hasta donde tope (aprox. un cuarto de vuelta).



- Doble la empuñadura dejándola a ras con la parte superior de la tapa. Si no queda totalmente a ras y el tope en la empuñadura no encaja en el hueco en el cuello de llenado, la tapa está mal asentada y apretada y se deberán repetir los pasos anteriores.

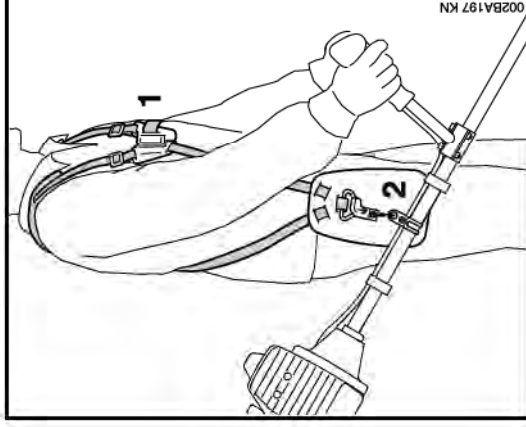


El tipo y el estilo del arnés dependen del lugar de venta.

### Correa para hombro

- Colóquese la correa (1) sobre el hombro.
- Ajuste el largo de la correa de modo que el gancho con resorte (2) quede aproximadamente el ancho de la mano por debajo de su cadera derecha.
- Equilibre la cortadora de matorrales.

El uso del arnés se describe en el capítulo "Combinaciones aprobadas de herramienta de corte, deflector, mango y arnés".

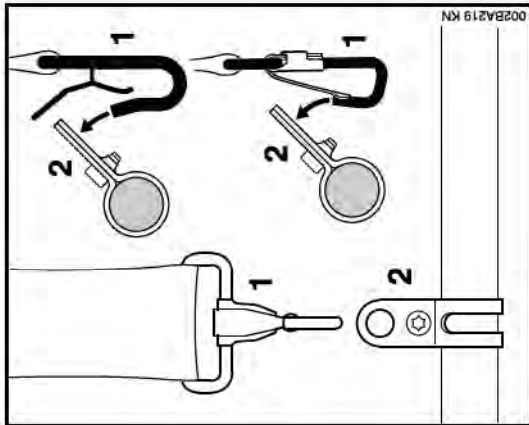


### Arnés completo

- Colóquese el arnés completo (1).
- Ajuste el largo hasta que el gancho de resorte (2) esté a una distancia más o menos igual al ancho de la mano por debajo de la cadera derecha.
- Equilibre la cortadora de matorrales.

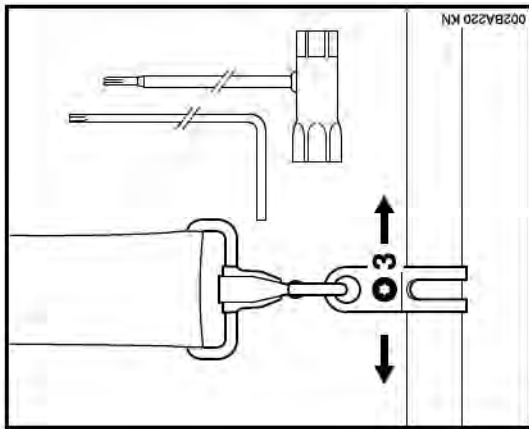
El uso del arnés se describe en el capítulo "Combinaciones aprobadas de herramienta de corte, deflector, mango y arnés".

## Equilibrio de la cortadora de matorrales



### Conexión del arnés a la cortadora de matorrales

- Enganche el gancho de resorte (1) en la abrazadera (2) (argolla de transporte) ubicada en el tubo de mando.



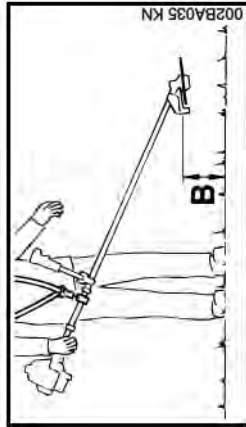
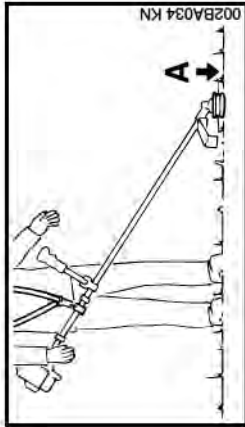
- Suelte el tornillo (3).

### Equilibrio de la máquina

Es necesario equilibrar la máquina con respecto a la herramienta de corte que se está usando.

Efectúe los pasos siguientes para establecer la condición descrita en "Punto de equilibrio":

- Deslice la abrazadera hacia arriba o hacia abajo por el tubo de mando. Apriete el tornillo moderadamente. Suelte la máquina y verifique el equilibrio.



### Punto de equilibrio

#### A Herramientas segadoras

Las cabezas de segado, la cuchilla para pasto y la cuchilla para matorrales apenas deben tocar el suelo.

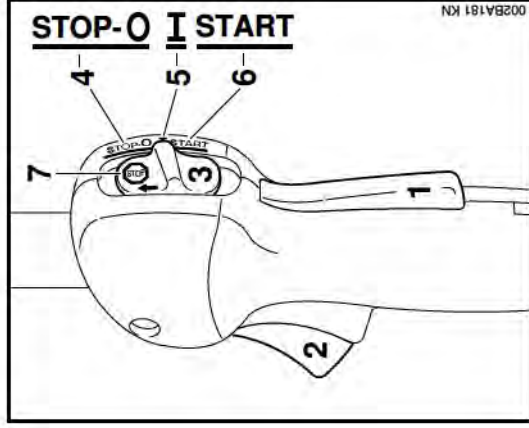
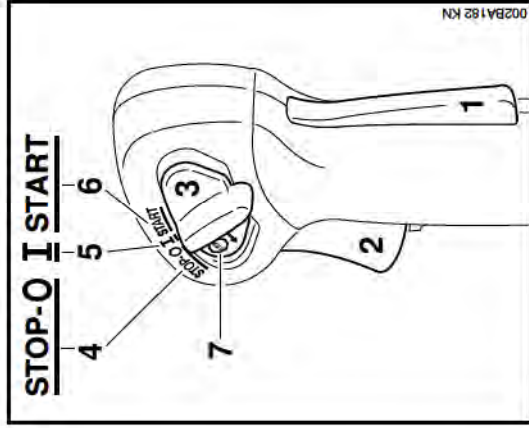
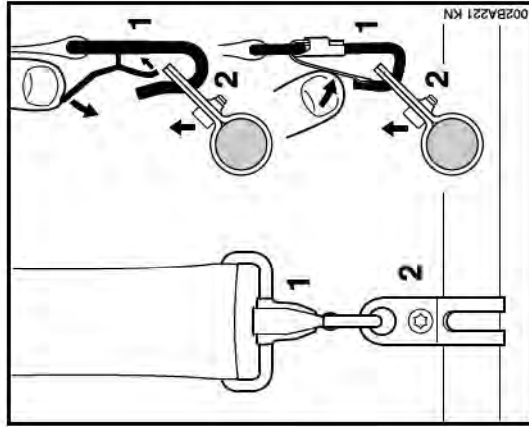
#### B Sierras circulares

deben estar "suspendidas" aproximadamente 20 cm (8 pulg) sobre el suelo.

Cuando se alcanza el punto de equilibrio correcto:

- Apriete el tornillo de fijación firmemente.

## Arranque / parada del motor



### Desconexión de la cortadora de matorrales de su arnés

Dependiendo del tipo de gancho con resorte (mosquetón):

- Empuje hacia abajo la barra en el gancho de resorte (1) y quite la abrazadera (2) del gancho.

### Controles

#### Palanca de control en manillar tipo bicicleta

- Bloqueo del gatillo de aceleración (1)
- Gatillo de aceleración (2)
- Control deslizante (3)

#### Mango de control en el tubo de mando

- Bloqueo del gatillo de aceleración (1)
- Gatillo de aceleración (2)
- Control deslizante (3)


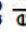
#### Posiciones del control deslizante

**STOP-O** (4) – motor apagado - el sistema de encendido está desconectado

**I** – posición de marcha normal (5) – el motor está en marcha o puede arrancarse

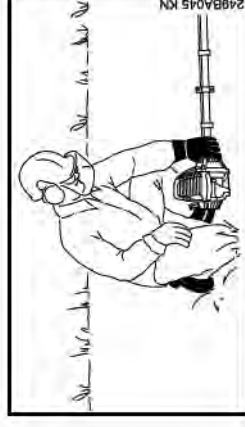
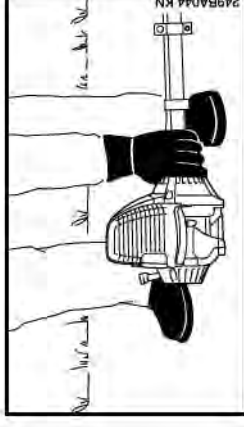
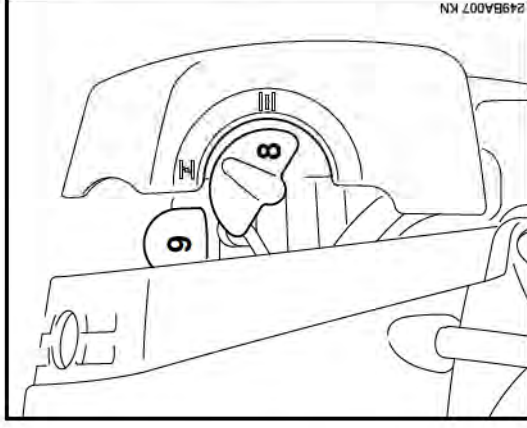
**START** (6) - el sistema de encendido está conectado y es posible arrancar el motor

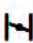
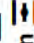
### Símbolo en el control deslizante


 (7) – Símbolo de parar y flecha – para apagar el motor, empuje el control deslizante en el sentido de la flecha en el símbolo de parar () a la posición STOP-O.

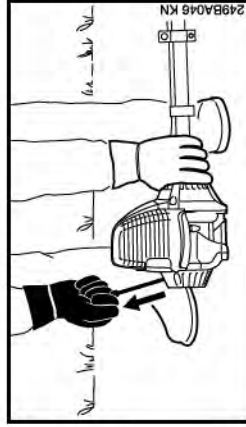
### Arranque

- Mantenga oprimido el bloqueo del gatillo y oprima el gatillo de aceleración.
- Mantenga ambas palancas en esa posición
- mueva el control deslizante a la posición de arranque (START) y sosténgalo.
- Ahora suelte el gatillo de aceleración, el control deslizante y el bloqueo del gatillo, en el orden indicado. Esta es la **posición de arranque del acelerador**.



- Ajuste la perilla del estrangulador (8):
  - Para arranque en frío en 
  - Para arranque caliente en 
 aunque el motor haya estado funcionando pero todavía está frío
- Oprima el bulbo (9) de la bomba de combustible por lo menos cinco veces, aunque el bulbo esté lleno de combustible.
- Coloque la unidad en el suelo. Debe quedar firmemente apoyada en el soporte del motor y el deflector. Verifique que la herramienta de corte no esté tocando el suelo ni ningún otro obstáculo.
- Asegúrese de tener los pies bien apoyados.
- Sujete la máquina con la mano izquierda y empuje hacia abajo firmemente - el pulgar debe estar debajo de la caja del ventilador.

 No se pare ni se arrodille sobre el tubo de mando.




- Con la mano derecha tire lentamente del mango de arranque hasta que sienta una resistencia definitiva y en seguida dele un tirón fuerte y rápido. No tire de la cuerda de arranque totalmente hasta afuera, se podría cortar.
- No deje que el mango de arranque salte bruscamente hacia atrás. Guíelo lentamente hacia el interior de la caja para que la cuerda de arranque se enrolle correctamente.

- Haga girar el motor hasta que empiece a encenderse. Luego de no más de **cinco intentos**, gire la palanca del estrangulador a **I** siga haciendo girar el motor.

● **Cuando el motor empieza a encenderse:**

- Oprima el gatillo de aceleración momentáneamente de modo que el control deslizante se desplace a la posición de marcha **I**, y el motor retorne a aceleración de ralenti.

-  Asegúrese que el carburador esté correctamente ajustado; la herramienta de corte no debe girar cuando el motor está funcionando a ralenti.

**Su máquina está lista para trabajar.**

**Parada del motor**

- Mueva el control deslizante en el sentido de la flecha (→) a **STOP-O**.

**A temperaturas ambiente muy bajas**

- Tan pronto arranque:
- Accione momentáneamente el gatillo de aceleración para desconectarlo de la posición de arranque. El control deslizante se desplaza a la posición de marcha normal **I** y el motor funciona a ralenti.
  - Abra el acelerador ligeramente.
  - Caliente el motor por un tiempo breve.

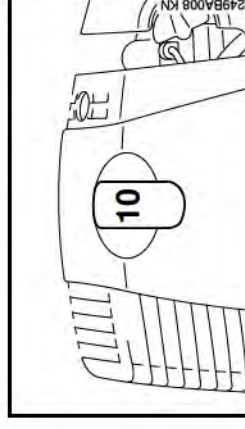
**Si el motor no arranca**

**Perilla de estrangulador**

Si no se movió la perilla del estrangulador a **I** en un tiempo suficientemente corto después que el motor empezó a encenderse, la cámara de combustión se encuentra "ahogada".

- Gire la perilla del estrangulador a **I**.
- Elija la posición de arranque del acelerador.
- Arranque el motor tirando energicamente de la cuerda de arranque. Puede ser necesario hacer 10 a 20 intentos.

**Si el motor todavía no arranca:**



- Mueva el control deslizante a **STOP-O**.
- Quite el casquillo de la bujía (**10**).

## Instrucciones de manejo

- Destornille y seque la bujía.
- Abra el acelerador al máximo.
- Haga girar el motor varias veces con el arrancador para despejar la cámara de combustión.
- Vuelva a instalar la bujía. Conecte el casquillo de la bujía (empújelo firmemente).
- Mueva el control deslizante a la posición de arranque (**START**).
- Mueva la perilla de estrangulador a  $\overline{\text{I}}$  —  
Ponga la palanca del estrangulador en e aun si el motor está frío.
- Ahora arranque el motor.

### Ajuste del cable del acelerador

- Revise el ajuste del cable del acelerador — vea el capítulo "Ajuste del cable del acelerador".

### Se agotó el combustible

- Después de llenar el tanque, oprima el bulbo de la bomba de combustible por lo menos cinco veces, aunque el bulbo esté lleno de combustible.
- Ajuste la perilla del estrangulador según la temperatura del motor.
- Ahora arranque el motor.

### Durante el período de rodaje

Una máquina nueva no debe hacerse funcionar a velocidad alta (aceleración máxima sin carga) por el lapso que tome llenar el tanque tres veces. Esto evita la imposición de cargas innecesariamente altas durante el período de rodaje. Puesto que todas las piezas móviles necesitan un período de rodaje, las resistencias causadas por la fricción en el motor son mayores durante este período. El motor desarrolla su potencia máxima después de haber llenado el tanque de 5 a 15 veces.

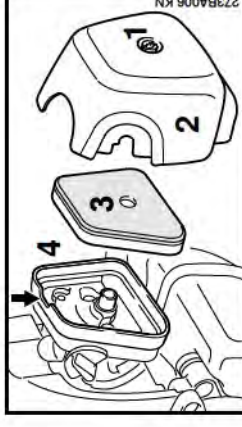
### Durante el funcionamiento

Después de un período largo de funcionamiento con el acelerador a fondo, deje funcionar el motor por un rato en ralentí de modo que el calor en el motor sea disipado por la corriente de aire de enfriamiento. Esto ayuda a evitar que los componentes montados en el motor (encendido, carburador) sufran sobrecargas térmicas.

### Después de terminar el trabajo

Espera que el motor se enfríe. Vacíe el tanque de combustible. Almacene la máquina en un lugar seco. Revise el apriete de las tuercas y tornillos (no los tornillos de ajuste) periódicamente y vuelva a apretar según sea necesario.

## Limpieza del filtro de aire



La suciedad en el filtro de aire reduce la potencia del motor, aumenta el consumo de combustible y dificulta el arranque del motor.

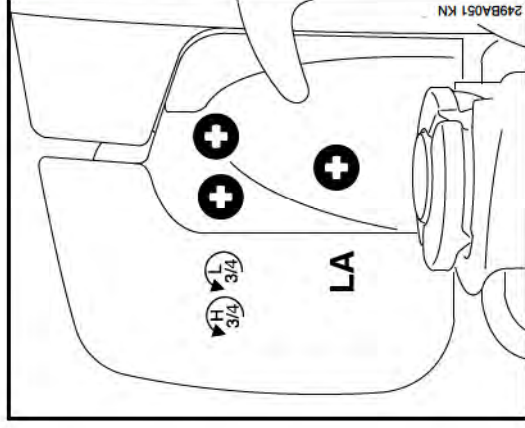
### Si se produce una pérdida notable de potencia del motor:

- Perilla del estrangulador en  $\overline{\text{I}}$ .
- Retire el tornillo (1) y saque la cubierta del filtro (2).
- Limpie toda la suciedad de alrededor del filtro.
- Agarre el elemento de filtro (3) en la muesca (identificada por la flecha) en la caja del filtro (4) y saque el filtro.
- Coloque un elemento nuevo en el filtro. Como una medida provisoria, es posible limpiarlo golpeándolo en la palma de la mano o sopándolo con aire comprimido. **No lo lave.**
- Sustituya las piezas caídas.
- Instale el elemento del filtro en la caja del filtro.
- Vuelva a colocar la cubierta del filtro.
- Inserte el tornillo y apriételo bien firme.

## Manejo del motor

Las emisiones de gases de escape son controladas por el diseño de parámetros y componentes fundamentales del motor (por ej. carburación, encendido, regulación y regulación de la válvula o lumbreira) sin la adición de ningún equipo importante.

## Ajuste del carburador



El carburador se ajusta en la fábrica.

Este ajuste provee una mezcla óptima de combustible y aire bajo la mayoría de las condiciones de funcionamiento.

Con este carburador es posible ajustar la velocidad de ralentí del motor únicamente dentro de una gama pequeña.

### Ajuste normal

- Apague el motor.
- Instale el accesorio o la herramienta de corte.
- Revise el filtro de aire y límpielo o sustitúyalo de ser necesario.
- Revise el ajuste del cable del acelerador y reajústelo de ser necesario – vea "Ajuste del cable del acelerador".
- Revise el chispero del silenciador (no se instala en todos los países) y límpielo o sustitúyalo de ser necesario.
- Atornille cuidadosamente los dos tornillos de ajuste en sus asientos (sentido horario).
- Abra el tornillo de velocidad alta (**H**)  $\frac{3}{4}$  de vuelta.
- Abra el tornillo de velocidad baja (**L**)  $\frac{3}{4}$  de vuelta.
- Arranque el motor y caliéntelo.
- Ajuste la velocidad de ralentí con el tornillo (**LA**) hasta que la herramienta deje de girar. Abra el acelerador al máximo.



### Ajustes finos

Puede ser necesario efectuar un ajuste ligero del tornillo de velocidad alta (H) si la potencia del motor no es adecuada para trabajar en grandes altitudes o al nivel del mar o después de cambiar la herramienta.

#### Regla general

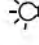
- Gire el tornillo de ajuste de velocidad alta (H) aproximadamente un cuarto de vuelta por cada 1000 metros (3300 pies) de cambio de altura.
- Lleve a cabo el ajuste normal.
- Caliente el motor por aproximadamente 3 minutos.
- Abra el acelerador al máximo

### En alturas grandes

- Gire el tornillo de alta velocidad (H) en sentido horario (mezcla más pobre), pero no más allá del tope, hasta que no haya un aumento notable de velocidad del motor.

#### Al nivel del mar

- Gire el tornillo de alta velocidad (H) en sentido contrahorario (mezcla más rica), pero no más allá del tope, hasta que no haya un aumento notable de velocidad del motor.

 Es posible que se alcance la velocidad máxima del motor con el ajuste normal en cada caso.

### Ajuste de ralenti

Generalmente es necesario cambiar el ajuste del tornillo de ralenti (LA) después de cada corrección hecha al tornillo de velocidad baja (L).

- Caliente el motor por aproximadamente 3 minutos.

#### El motor se para durante el funcionamiento a ralenti

- Gire lentamente el tornillo de ajuste de ralenti (LA) en sentido horario hasta que el motor funcione de modo suave – la herramienta no debe girar.

### La herramienta de corte gira cuando el motor funciona a ralenti

- Gire el tornillo de ralenti (LA) lentamente en sentido contrahorario hasta que la herramienta se detenga y luego gire el tornillo aproximadamente otra media vuelta a tres cuartos de vuelta en el mismo sentido.

#### Funcionamiento irregular a ralenti, el motor se para aunque se ha corregido el ajuste del tornillo LA, aceleración inadecuada

Ajuste de ralenti con mezcla muy pobre:

- Gire el tornillo de ajuste de velocidad baja (L) en sentido contrahorario (sin pasar más allá del tope) hasta que el motor funcione y se acelere de modo uniforme.

#### Funcionamiento irregular a ralenti

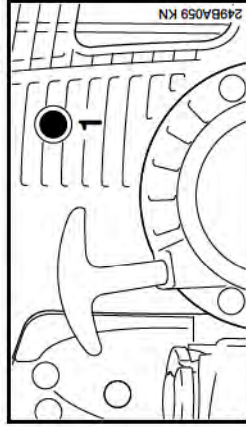
Ajuste de ralenti con mezcla muy rica:

- Gire el tornillo de ajuste de velocidad baja (L) en sentido horario (sin pasar más allá del tope) hasta que el motor funcione y se acelere de modo uniforme.

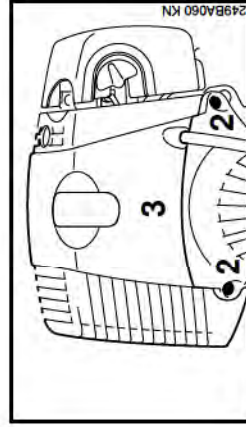
## Chispero en el silenciador

El chispero es un elemento opcional instalado en algunas máquinas.

- Si el motor pierde potencia, revise el chispero del silenciador.
- Espere que el silenciador se enfríe.

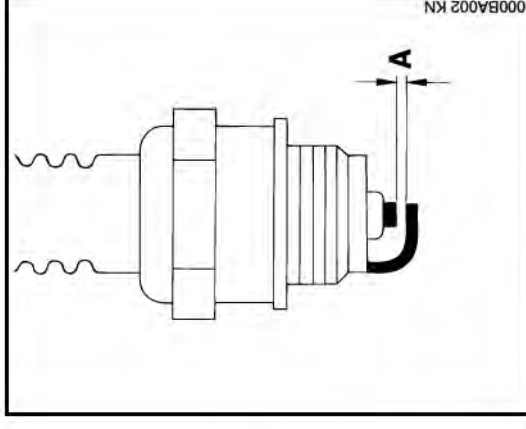


- Mueva el control deslizante a la posición **STOP-O**.
- Saque el tornillo (1).

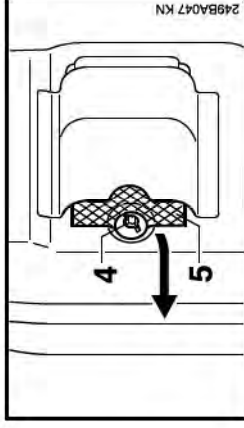


- Saque los tornillos (2).
- Levante la envuelta (3) para quitarla.

## Revisión de la bujía

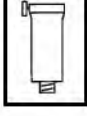


Si la mezcla del combustible es incorrecta (demasiado aceite en la gasolina), el filtro de aire está sucio, y las condiciones de trabajo no son favorables (especialmente a aceleraciones intermedias) se afecta la condición de la bujía.) Estos factores permiten la formación de depósitos en la punta aislante, los cuales pueden perjudicar el rendimiento.



- Saque el tornillo (4).
- Levante el chispero (5) y extráigalo.
- Limpie el chispero de ser necesario – si está dañado o recubierto de carbón, instale uno nuevo.
- Vuelva a instalar el chispero.
- Inserte el tornillo y apriételo.
- Instale la envuelta.

## Lubricación de la caja de engranajes



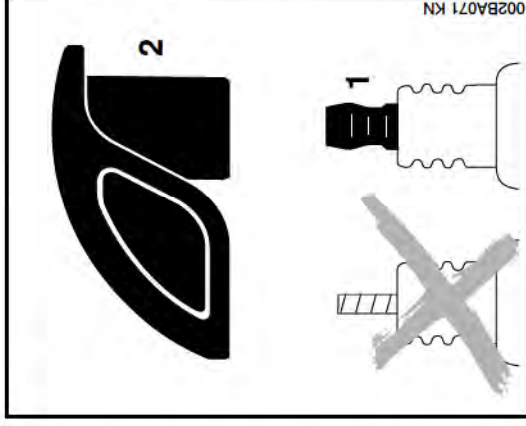
Si el motor pierde potencia, es difícil arrancarlo o funciona de modo irregular a ralentí, revise la bujía primero.

- Quite la bujía de la manera descrita en el capítulo "Arranque / parada del motor".
- Limpie la bujía si está sucia.
- Revise la distancia entre electrodos (A) y ajústela según se requiera – vea las "Especificaciones".
- Utilice únicamente bujías tipo resistencia cuyo margen de rendimiento sea el aprobado.

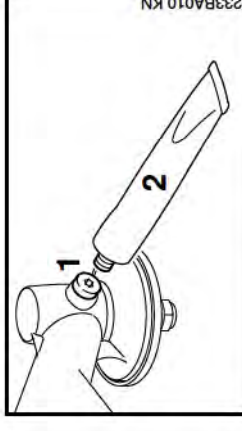
Corrija los problemas que hayan causado la contaminación de la bujía:


- Demasiado aceite en la mezcla de combustible.
- Filtro de aire sucio.
- Condiciones desfavorables de funcionamiento, por ejemplo, funcionamiento bajo carga parcial.

**Instale una bujía nueva después de aprox. 100 horas de funcionamiento,** o más temprano si los electrodos están muy gastados.

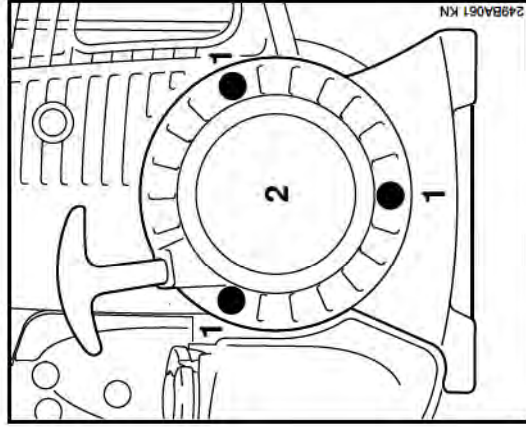


**⚠** Para reducir el riesgo de incendio y de quemaduras, utilice solamente las bujías autorizadas por STIHL. Siempre inserte el casquillo (2) de la bujía bien apretado en el borne (1) del tamaño adecuado. (Nota: Si el borne tiene una tuerca adaptadora SAE desmontable, tiene que ser instalada.) Una conexión suelta entre el casquillo de la bujía y el conector del cable de encendido en el casquillo puede crear un arco voltaico y encender los vapores del combustible, provocando un incendio.



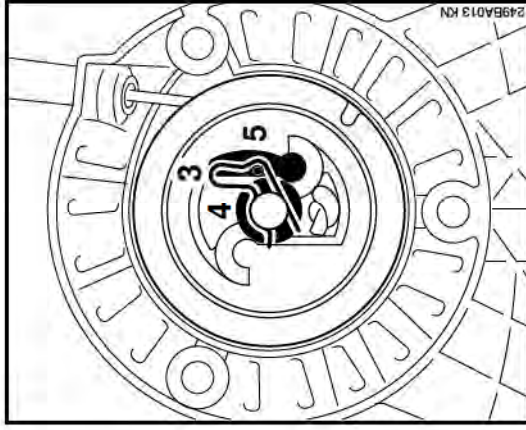
- Revise el nivel de grasa periódicamente - aproximadamente cada 25 horas de funcionamiento.
- Destornille el tapón de llenado (1).
- Si no se ve grasa en el interior del tapón, atornille el tubo (2) del lubricante para engranajes STIHL especial para cortadoras de matorrerales - vea "Accesorios especiales" - en el agujero de llenado.
- Exprima 1/5 oz (5 g) de grasa al interior de la caja de engranajes.  No llene completamente con grasa la caja de engranajes.
- Vuelva a colocar el tapón de llenado y apriételo firmemente.

## Sustitución de la cuerda de arranque y resorte de rebinado

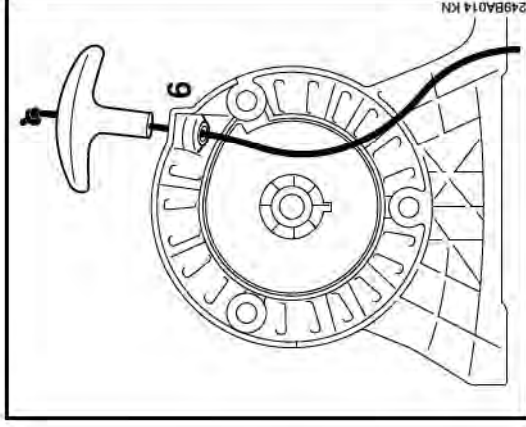


### Sustitución de la cuerda de arranque

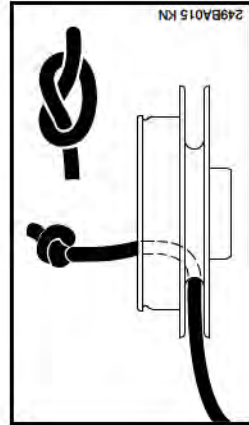
- Mueva el control deslizante en el sentido indicado por  $t$  (↻) – flecha hacia **STOP-O**.
- Saque los tornillos (1).
- Levante la cubierta (2) del arrancador de la caja.



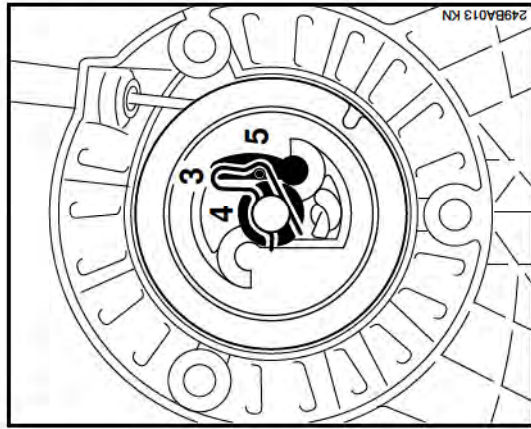
- Quite la pinza de resorte (3).
- Quite el rotor de la cuerda con la arandela (4) y el trinquete (5).



- Quite el resto de la cuerda del rotor y del mango.
- Haga un nudo de rizo sencillo en el extremo de la cuerda de arranque nueva (vea "Especificaciones") y después pase la cuerda por la parte superior del mango y por el buje de la cuerda (6).



- Pase la cuerda a través del rotor y fíjela con un nudo de rizo simple.
- Cubra la cavidad del cojinete del rotor de la cuerda con aceite sin resina.
- Deslice el rotor en el poste del arrancador. Gírelo hacia uno y otro lado para engranar la espiral terminal del resorte de rebobinado.



- Instale el trinquete (5) en el rotor.
- Instale la arandela (4) en el poste del arrancador.
- Use un destornillador o alicates adecuados para instalar la pinza de resorte (3) en el poste del arrancador y sobre el vástago del trinquete – la pinza de resorte debe apuntar en sentido contrahorario como se muestra en la ilustración.
- Pase a "Tensado del resorte de rebobinado".

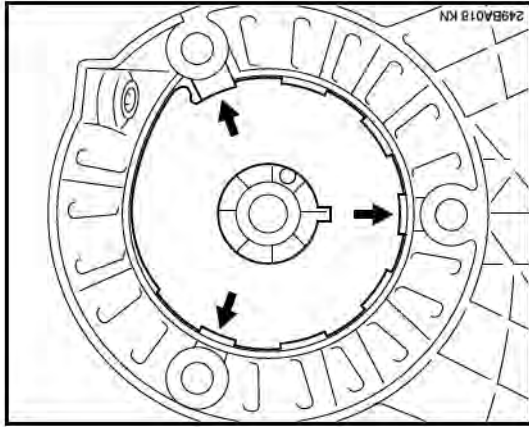
### Sustitución del resorte de rebobinado roto

- Quite el rotor de la cuerda de la forma descrita en "Sustitución de la cuerda de arranque".

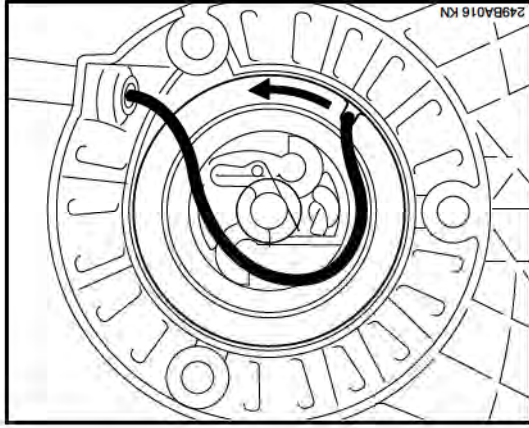


Los pedazos de resorte todavía pueden estar bajo tensión y podrían salir lanzados cuando los saque de la caja. Para reducir el **riesgo de lesionarse**, póngase guantes, anteojos y protector facial.

- Retire la caja de resorte y retire las piezas del resorte.
- Lubrique el resorte nuevo con unas cuantas gotas de aceite sin resina.



- Coloque la caja de resorte nueva en las cavidades (flechas) – la placa inferior debe estar orientada hacia arriba.
- Empuje la caja de resorte dentro de la cubierta del arrancador.
- Instale el rotor de la cuerda de la forma descrita en "Tensado del resorte de rebobinado".
- Si el resorte se sale de la caja durante la instalación: Colóquelo nuevamente en sentido contrario, empezando desde el exterior y avanzando hacia adentro.



### Tensado del resorte de rebobinado

- Forme un bucle con la cuerda de arranque sin enrollar y utilícelo para girar el rotor seis revoluciones completas en el sentido de la flecha.
- Sujete y mantenga el rotor inmóvil – tire de la cuerda y enderézcela.
- Suelte el rotor de la cuerda.
- Suelte lentamente la cuerda para que se enrolle en el rotor. El mango de arranque debe quedar firmemente en el buje guía de la cuerda. Si el mango cae hacia un lado: Aumente la tensión del resorte una vuelta adicional.

- Cuando la cuerda de arranque se extiende completamente, debe ser posible girar el rotor por lo menos media vuelta adicional. En caso contrario, el resorte está sobretensionado y podría romperse. En tal caso, quitele una vuelta de la cuerda al rotor.
- Instale la cubierta del arrancador en la caja.
- Apriete los tornillos firmemente.

## Almacenamiento de la máquina

Para intervalos de 3 meses o más

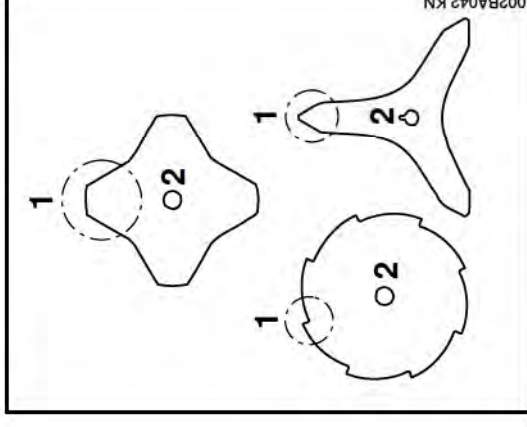
- Vacíe y limpie el tanque de combustible en una zona bien ventilada.
- Deseche los residuos de combustible y solución de limpieza de acuerdo con los requerimientos locales de protección del medio ambiente.
- Haga funcionar el motor hasta que el carburador se seque – esto ayuda a evitar que los diafragmas del carburador se peguen.
- Retire, limpie e inspeccione el accesorio de corte.
- Limpie la máquina a fondo - preste atención especial a las aletas del cilindro y al filtro de aire.
- Guarde la máquina en un lugar seco y elevado, o bajo llave – fuera del alcance de los niños y de otras personas no autorizadas.

## Afilado de las herramientas de corte metálicas

- Use una lima (accesorio especial) para afilar las herramientas de corte. En el caso de desgaste o mellas más serios: Vuelva a afilar con una rectificadora o pida que el trabajo se lo haga el concesionario STIHL.
- Afíle frecuentemente, quitando la menor cantidad posible de material; por lo general dos o tres pasadas de la lima son suficientes.

### Para evitar el desequilibrio

- Después de aproximadamente 5 afiladas, revise la cuchilla en el equilibrador STIHL (accesorio especial) y vuelva a ajustar el equilibrio según sea necesario.



- Afíle las cuchillas (1) uniformemente – no altere de manera alguna el contorno de la cuchilla matriz (2).

Vea las instrucciones en el embalaje de la herramienta de corte para información adicional acerca del afilado.

## **Inspecciones y mantenimiento por el concesionario**

### **Captador de combustible en el tanque**

- Cada año, pida que le sustituyan el captador de combustible en el tanque.

STIHL recomienda que solamente los concesionarios STIHL autorizados efectúen los trabajos de mantenimiento y reparación.



## Tabla de mantenimiento

Las operaciones de mantenimiento indicadas a continuación se aplican únicamente a condiciones normales de trabajo. Si las condiciones son extremas (zonas polvorientas, etc.), o si el tiempo de trabajo por jornada es más largo que lo normal, acorte los intervalos indicados de modo correspondiente.		antes de comenzar el trabajo	después de terminar el trabajo o diariamente	después de cada parada para cargar combustible	semanalmente	mensualmente	anualmente	si hay problema	si tiene daños	si se requiere
Máquina completa	Inspección visual (condición general, fugas)	X		X						
	Limpiar		X							
Mango de control	Comprobar funcionamiento	X		X						
Filtro de aire	Limpiar						X		X	
	Reemplazar									
Recogedor en tanque de combustible	Solicitar al concesionario de servicio su revisión <sup>1)</sup>							X		
	Solicitar al concesionario de servicio su sustitución <sup>1)</sup>						X		X	X
Tanque de combustible	Limpiar							X		X
Carburador	Revisar la velocidad de ralentí	X		X						
	Ajustar el ralentí									X
Bujía	Ajustar la distancia entre electrodos								X	
	Cambiar después de cada 100 horas de funcionamiento									
Entradas de enfriamiento	Inspeccionar		X							X
	Limpiar									
Juego de las válvulas	Revisar y ajustar de ser necesario, después de las primeras 139 horas de funcionamiento <sup>1)</sup>									X
Cámara de combustión	Descarbonizar después de las primeras 139 horas de funcionamiento, y luego cada 150 horas									X
Chispero en silenciador*	Inspeccionar		X					X		
	Reemplazar								X	X
Todos los tornillos y tuercas accesibles (salvo los tornillos de ajuste)	Volver a apretar									X

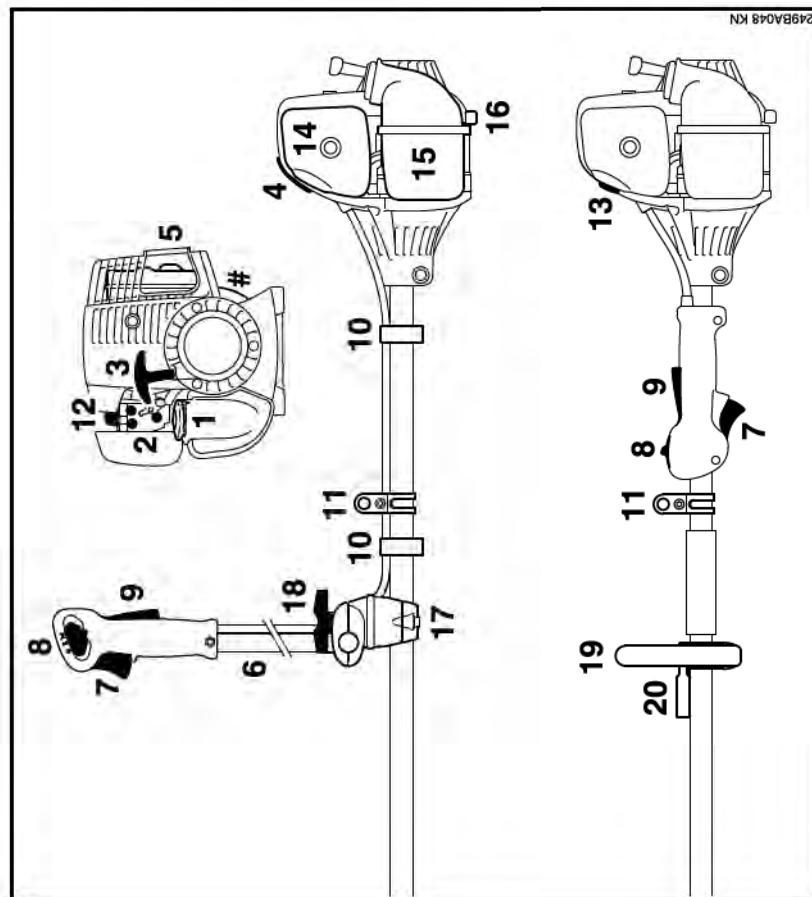
\* vea "Guía para el uso de este manual"

1) STIHL recomienda que un concesionario de servicio STIHL efectúe este trabajo

Las operaciones de mantenimiento indicadas a continuación se aplican únicamente a condiciones normales de trabajo. Si las condiciones son extremas (zonas polvorientas, etc.), o si el tiempo de trabajo por jornada es más largo que lo normal, acorte los intervalos indicados de modo correspondiente.		antes de comenzar el trabajo	después de terminar el trabajo o diariamente	después de cada parada para cargar combustible	semanalmente	mensualmente	anualmente	si hay problema	si tiene daños	si se requiere
Elementos antivibración (amortiguadores de caucho, resortes)	Revisar	X						X		X
	Inspección	X		X						
	Reemplazar							X		
Herramienta de corte	Comprobar el apriete de la herramienta de corte	X		X						
	Afilar	X								X
Herramientas de corte metálicas	Revisar				X					
	Restituir									X
	Reemplazar								X	

1) STIHL recomienda que un concesionario de servicio STIHL efectúe este trabajo

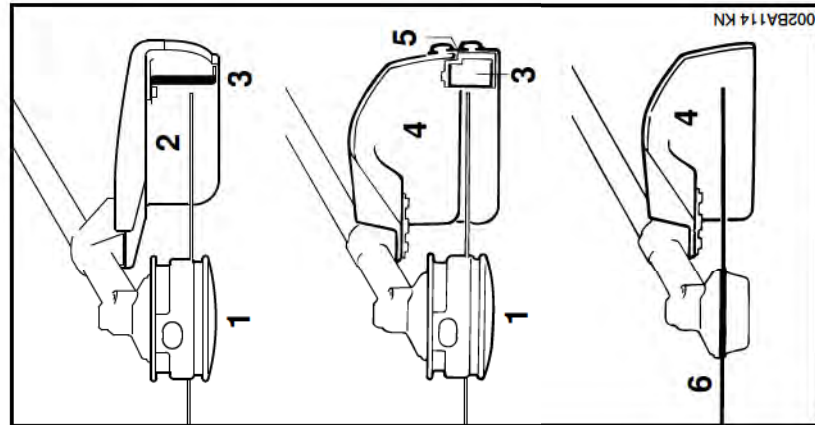
**Piezas y controles**  
Parte 1



- 1 Tapa de llenado de combustible
  - 2 Tornillos de ajuste del carburador
  - 3 Mango de arranque
  - 4 Casquillo de bujía
  - 5 Silenciador  
(con chispero, no se usa todas las versiones, depende del mercado)
  - 6 Manillar tipo bicicleta
  - 7 Gatillo de aceleración
  - 8 Control deslizante
  - 9 Bloqueo del gatillo de aceleración
  - 10 Retenedor del cable del acelerador
  - 11 Argolla de transporte
  - 12 Bomba de combustible
  - 13 Perilla de estrangulador
  - 14 Tapa del filtro de aire
  - 15 Tanque de combustible
  - 16 Apoyo de la máquina
  - 17 Soporte del manillar
  - 18 Tornillo mariposa
  - 19 Mango tórico
  - 20 Barra de defensa
- # Número de serie

## Definiciones

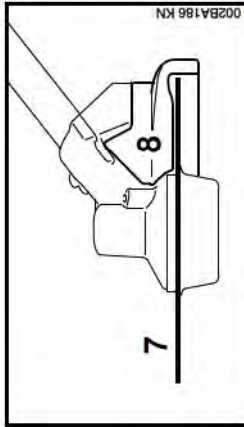
1. **Tapa de llenado de combustible**  
Para tapar el tanque de combustible.
2. **Tornillos de ajuste del carburador**  
Para afinar el carburador.
3. **Mango de arranque**  
El mango de la cuerda de arranque, el cual es el dispositivo usado para arrancar el motor.
4. **Casquillo de bujía**  
Conecta la bujía al alambre de encendido.
5. **Silenciador (con chispero)**  
Reduce los ruidos del tubo de escape y desvía los gases de escape lejos del operador.
6. **Manillar tipo bicicleta**  
Para facilitar el control de la máquina con ambas manos durante el proceso de corte.
7. **Gatillo de aceleración**  
Regula la velocidad del motor.
8. **Control deslizante**  
Para aceleración de arranque, marcha y parada. Mantiene el acelerador parcialmente abierto durante el arranque, apaga el encendido del motor y detiene su marcha.
9. **Bloqueo del gatillo de aceleración**  
Debe ser oprimido antes de poder activar el gatillo de aceleración.
10. **Retenedor del cable del acelerador**  
Sujeta el cable del acelerador al tubo de mando.
11. **Argolla de transporte**  
Conecta la cortadora de matorrales al arnés.
12. **Bomba de combustible**  
Suministra alimentación adicional de combustible para el arranque en frío.
13. **Perilla de estrangulador**  
Acciona el estrangulador para enriquecer la mezcla y facilitar el arranque del motor.
14. **Tapa del filtro de aire**  
Encierra y protege el filtro de aire.
15. **Tanque de combustible**  
Contiene la mezcla de combustible y aceite.
16. **Apoyo de la máquina**  
Para apoyar la máquina en el suelo.
17. **Soporte del manillar**  
Conecta el eje y el manillar tipo bicicleta.
18. **Tornillo mariposa**  
Bloquea el manillar en la posición seleccionada.
19. **Mango tórico**  
Para facilitar el control de la máquina durante el funcionamiento.
20. **Barra de defensa**  
Ayuda a mantener el espacio libre entre la herramienta de corte y los pies y piernas del operador.



- 1 Cabeza segadora
- 2 Deflector (para cabezas segadoras solamente)
- 3 Cuchilla limitadoras del hilo
- 4 Deflector con faldilla (para todas las herramientas de corte)
- 5 Faldilla
- 6 Herramienta segadora metálica

## Definiciones

1. **Cabeza segadora**  
El accesorio de corte, por ejemplo una cabeza segadora, que se usa para diferentes propósitos (accesorio especial).
2. **Deflector**  
El deflector tiene por objeto reducir el riesgo de lesiones causadas por objetos extraños arrojados contra el operador por la herramienta de corte y por el contacto con la herramienta de corte.
3. **Cuchilla limitadora del hilo**  
Una cuchilla de metal en el deflector para mantener el hilo de la cabeza segadora al largo adecuado.
4. **Deflector con faldilla**  
El deflector tiene por objeto reducir el riesgo de lesiones causadas por objetos extraños arrojados contra el operador por la herramienta de corte y por el contacto con la herramienta de corte. No está diseñado para contener las cuchillas metálicas fragmentadas.
5. **Faldilla**  
La faldilla que se encuentra en la parte inferior del deflector debe ser ajustada de la manera que se explica en los capítulos de montaje de las distintas herramientas de corte.
6. **Herramienta segadora metálica**  
El accesorio de corte, es decir la cuchilla, hecha de metal, que se usa para diferentes propósitos (accesorio especial).



- 7 Cuchilla para sierra circular
- 8 Tope limitador (solamente para sierras circulares)

## Definiciones

7. **Cuchilla para sierra circular**  
Una herramienta de corte hecha de metal para cortar madera.
8. **Tope limitador**  
Diseñado para mantener la cortadora de matorrales estable contra la madera para reducir la posibilidad de lesiones causadas por la pérdida de control debido a las fuerzas de reacción, tales como el empuje hacia afuera.

## Especificaciones

### EPA / CEPA:

El período de cumplimiento de emisiones indicado en la etiqueta de cumplimiento de emisiones es la cantidad de horas de funcionamiento para la cual la máquina ha demostrado la conformidad con los requerimientos de emisiones del Gobierno federal de los EE.UU.

### Categoría

- A = 300 horas,
- B = 125 horas
- C = 50 horas

### CARB:

El período de cumplimiento de emisiones empleado en la etiqueta del índice de aire CARB tiene las siguientes definiciones:

- Extended (extendido) = 300 horas
- Intermediate (intermedio) = 125 horas
- Moderate (moderado) = 50 horas

### STIHL Motor de un cilindro, cuatro tiempos, con lubricación de gasolina con aceite

Cilindrada: 36,3 cm<sup>3</sup> (2,22 pulg<sup>3</sup>)

Diámetro: 43 mm (1,69 pulg)

Carrera: 25 mm (0,98 pulg)

Potencia del motor según ISO 8893:  
a 8500 rpm

Ralentí: 2800 rpm

Velocidad (nominal)  
de corte del motor: 10500 rpm

Velocidad máx. de eje de salida (herramienta de corte):  
7500 rpm

## Accesorios especiales

### Juego de las válvulas

Válvula de admisión:  
0,10 mm (0,004 pulg)  
Válvula de escape:  
0,10 mm (0,004 pulg)

### Capacidad del tanque de combustible

0,53 l (18,0 oz. fl.)

### Bujía (extinguida)

NGK GMR 6 H

Distancia entre electrodos:  
0,5 mm (0,02 pulg)

### Arrancador de cuerda

#### cuerda de arranque

3,0 mm diám. y 850 mm de largo  
(0,12 pulg diám. y 33,46 pulg de largo)

### Peso (sin herramienta de corte y deflector)

FS 130 con manillar de bicicleta:  
5,9 kg (13,0 lb)

FS 130 R con mango tórico:

5,6 kg (12,4 lb)

### Largo total


sin herramienta de corte  
1800 mm (71 in)

Comuníquese con su concesionario STIHL para información acerca de los accesorios especiales que pueden estar disponibles para su producto.

## Mantenimiento y reparaciones

Los usuarios de esta máquina deben efectuar únicamente los trabajos de mantenimiento descritos en este manual. Solamente los talleres autorizados por STIHL deben llevar a cabo los demás trabajos de reparación.

Los reclamos de garantía presentados después de realizadas las reparaciones serán aceptados únicamente si las mismas fueron ejecutadas por un concesionario de servicio autorizado STIHL utilizando piezas de repuesto originales de STIHL.

Es posible identificar las piezas originales de STIHL por el número de pieza **STIHL**, el logotipo de STIHL y, en algunos casos, el símbolo  de piezas STIHL. En las piezas pequeñas el símbolo puede aparecer solo.

## **No para California: Declaración de garantía de STIHL Incorporated sobre sistemas de control de emisiones según normas Federales**

### **Sus derechos y obligaciones de garantía**

La Agencia de Protección del Medio Ambiente (EPA) de los EE.UU. y STIHL Incorporated se complacen en explicarle la garantía del sistema de control de emisiones instalado en el motor de su equipo. En los EE.UU., los nuevos motores pequeños para equipos de uso fuera de carretera modelos 1997 y posteriores deben estar diseñados, cons-truidos y equipados, al tiempo de la venta, de conformidad con los reglamentos de la EPA de los EE.UU. para los motores pequeños de uso fuera de carretera. El motor del equipo debe carecer de defectos en el material y la fabricación que puedan causar el incumplimiento de las normas de la EPA de los EE.UU. durante los primeros dos años de uso del motor a partir de la fecha de compra por el último comprador.

STIHL Incorporated debe garantizar el sistema de control de emisiones en el motor pequeño para uso fuera de carretera por el intervalo mencionado más arriba, siempre que dicho motor no haya estado sujeto a maltrato, negligencia o cuidado inapropiado.

El sistema de control de emisiones de su máquina incluye piezas tales como el carburador y el sistema de encendido. Además puede incluir mangueras, conectores y otros conjuntos relativos a emisiones.

En los casos de existir una condición amparada bajo garantía, STIHL Incorporated reparará el motor pequeño para equipo de uso fuera de carretera sin

costo alguno, incluido el diagnóstico (si el trabajo de diagnóstico fue realizado por un concesionario autorizado), las piezas y la mano de obra.

### **Cobertura de garantía del fabricante:**

En los EE.UU., los motores pequeños para equipos de uso fuera de carretera modelos 1997 y posteriores también están garantizados por dos años. En el caso de encontrarse defectos en cualquiera de las piezas del motor relacionadas con el sistema de control de emisiones, la pieza será reparada o sustituida por STIHL Incorporated sin costo alguno.

### **Responsabilidades del usuario relativas a la garantía:**

Como propietario de motor pequeño para equipo de uso fuera de carretera, usted tiene la responsabilidad de realizar el mantenimiento requerido descrito en su manual del usuario. STIHL Incorporated le recomienda guardar todos los recibos comprobantes de los trabajos de mantenimiento hechos a su motor pequeño para equipo de uso fuera de carretera, pero STIHL Incorporated no puede negar garantía basado en el solo hecho de faltar los recibos o del incumplimiento del propietario de realizar todos los trabajos de mantenimiento programados.

El uso de cualquier pieza de repuesto o servicio cuyo comportamiento y durabilidad sean equivalentes está permitido en trabajos de mantenimiento o reparación no contemplados en la garantía, y no

reducirá las obligaciones de la garantía del fabricante del motor.

Sin embargo, como propietario del motor pequeño para equipo de uso fuera de carretera usted debe estar consciente de que STIHL Incorporated puede negarle cobertura de garantía si dicho motor o una pieza del mismo ha fallado debido a maltrato, descuido, mantenimiento inadecuado o modificaciones no autorizadas.

Usted es responsable de llevar el motor pequeño para equipo de uso fuera de carretera a un centro de servicio STIHL tan pronto surja el problema. Las reparaciones bajo garantía serán realizadas en un tiempo razonable, sin exceder de 30 días.

Ante cualquier duda respecto a sus derechos y responsabilidades bajo esta garantía, sírvase contactar al representante de atención al cliente STIHL llamando al 1-800-467-8445, o si lo prefiere puede escribir a

STIHL Inc.,  
536 Viking Drive, P.O. Box 2015,  
Virginia Beach, VA 23450-2015 EE.UU.

### **Cobertura por STIHL Incorporated**

STIHL Incorporated garantiza al último comprador y a cada comprador subsiguiente que el motor pequeño para equipo de uso fuera de carretera está diseñado, construido y equipado, al tiempo de la venta, de conformidad con todos los reglamentos aplicables. Además, STIHL Incorporated garantiza al comprador inicial y a cada comprador



subsiguiente que el motor está libre de defectos en el material y fabricación que puedan causar el incumplimiento de los reglamentos aplicables durante un período de dos años.

### Período de garantía

El período de garantía comienza en la fecha en que el motor del equipo utilizado es entregado a usted y usted firma y remite la tarjeta de garantía a STIHL.

Si cualquier pieza relacionada con el sistema de control de emisiones está defectuosa, la pieza será sustituida por STIHL Incorporated sin costo alguno para el propietario. Cualquier pieza garantizada cuyo reemplazo no está programado como mantenimiento requerido, o que debe recibir única-mente inspección regular en el sentido de "reparar o sustituir según sea necesario", estará garantizada por el período de garantía. Cualquier pieza cuyo reemplazo está programado como mantenimiento requerido estará garantizada por el intervalo hasta el primer punto de reemplazo programado para esa pieza.

### Diagnóstico

Como propietario, a usted no se le debe cobrar la mano de obra por los diagnós-ticos que determinen que una pieza garantizada está defectuosa. No obs-tante, si usted reclama garantía para un componente y se comprueba que la máquina no está defectuosa, STIHL Incorporated le cobrará el costo de la prueba del sistema de control de emisiones.

El trabajo de diagnóstico mecánico se realiza en un centro de servicio autori-zado por STIHL. La prueba del sistema de control de emisiones se realiza ya sea en la fábrica de STIHL Incorporated o en un laboratorio de ensayos indepen-diente.

### Trabajo bajo garantía

STIHL Incorporated reparará los defec-tos amparados por la garantía en cual-quier estación de garantía o centro de servicio autorizado por STIHL. Todo tra-bajo de este tipo se hará gratis para el propietario siempre que se determine que la pieza cubierta por la garantía está defectuosa. Se puede usar cualquier pieza de repuesto aprobada por el fabri-cante o equivalente en las piezas rela-cionadas con el sistema de control de emisiones, y debe ser suministrada gra-tis al propietario. STIHL Incorporated es responsable por daños a otros compo-nentes del motor causados por la falla de una pieza garantizada que todavía está bajo garantía.

La lista siguiente define específica-mente las piezas garantizadas y relacio-nadas con las emisiones:

- Carburador
- Estrangulador (sistema de refuerzo para arranque en frío)
- Múltiple de admisión
- Filtro de aire
- Bujía
- Magneto o sistema de encendido elec-trónico (módulo de encendido)
- Convertidor catalítico (si lo tiene)
- Sujetadores/pernos

### Dónde presentar el reclamo para servicio bajo garantía

Lleve el producto a cualquier centro de servicio autorizado por STIHL y pre-sente la tarjeta de garantía firmada.

### Requerimientos de manteni-miento

Las instrucciones presentadas en este manual se basan en la aplicación de la mezcla recomendada para motores de 2 tiempos (vea también la instrucción "Combustible"). Las discrepancias de estas recomendaciones con respecto a la calidad y la proporción de la mezcla de combustible y aceite pueden exigir intervalos de mantenimiento más cortos.

### Limitaciones

Esta garantía de los sistemas de control de emisiones no cubrirá ninguno de los puntos siguientes:

- reparación o sustitución requerida debido a maltrato, negligencia o falta del mantenimiento requerido,
- reparaciones mal hechas o sustitu-ciones contrarias a las especifica-ciones de STIHL Incorporated que afecten desfavorablemente el fun-cionamiento y/o la durabilidad, y las alteraciones o modificaciones no recomendadas o aprobadas por escrito por STIHL Incorporated,

y

- la sustitución de piezas y otros ser-vicios y ajustes necesarios para el mantenimiento requerido en y des-pués del primer punto de reemplazo programado.

## **Solamente para California:** **Declaración de garantía de STIHL Incorporated sobre el control de emisiones de gases de escape y emisiones por evaporación para el Estado de California**

### **Sus derechos y obligaciones de garantía**

El Consejo de Recursos del Aire del Estado de California (CARB) y STIHL Incorporated se complacen en explicarle la garantía del sistema de control de emisiones instalado en el motor de su equipo de uso fuera de carretera para el año 2007 y posteriores.

En California, el equipo nuevo que tiene motores pequeños para uso fuera de carretera debe estar diseñado, construido y equipado de conformidad con las rigurosas normas de contaminación del aire del estado. STIHL Incorporated debe garantizar el sistema de control de emisiones en el motor pequeño para uso fuera de carretera por el intervalo mencionado más arriba, siempre que dicho motor pequeño para uso fuera de carretera no haya estado sujeto a maltrato, negligencia o cuidado inapropiado.

El sistema de control de emisiones puede contar con los siguientes componentes:

Filtro de aire, carburador, purgador, estrangulador (sistema de enriquecimiento para arranque en frío), varillaje de control, colector de admisión, magneto o sistema de encendido electrónico (módulo de encendido), bujía, convertidor catalítico (si lo tiene), tanque de combustible, tapa de tanque de combustible, línea de combustible, adaptadores de líneas de combustible, abrazaderas y sujetadores.

En los casos de existir una condición amparada bajo garantía, STIHL Incorporated reparará el motor pequeño para equipo de uso fuera de carretera sin costo alguno, incluido el diagnóstico, las piezas y la mano de obra.

### **Cobertura de garantía del fabricante:**

El sistema de control de emisiones tiene una garantía de dos años en California. En el caso de encontrarse defectos en cualquiera de los componentes del motor relacionados con el sistema de control de emisiones, el mismo será reparado o sustituido por STIHL Incorporated sin costo alguno.

### **Responsabilidades del usuario relativas a la garantía:**

Como propietario de motor pequeño para equipo de uso fuera de carretera, usted tiene la responsabilidad de realizar el mantenimiento requerido descrito en su manual de instrucciones. STIHL Incorporated le recomienda guardar todos los recibos comprobantes de los trabajos de mantenimiento hechos a su motor pequeño para equipo de uso fuera de carretera, pero STIHL Incorporated no puede negar garantía basado en el solo hecho de faltar los recibos o de su incumplimiento de realizar todos los trabajos de mantenimiento programados. Sin embargo, como propietario del motor pequeño para equipo de uso fuera de carretera usted debe ser consciente de que STIHL Incorporated puede negarle cobertura de garantía si dicho motor o un componente del mismo ha fallado debido a maltrato, descuido, mantenimiento inadecuado o modificaciones no autorizadas.

Usted es responsable de llevar el motor pequeño para equipo de uso fuera de carretera a un concesionario de servicio STIHL tan pronto surja el problema. Las reparaciones bajo garantía deben realizarse en un tiempo razonable, sin exceder de 30 días. Ante cualquier duda respecto a sus derechos y responsabilidades bajo esta garantía, sírvase contactar al representante de atención al cliente STIHL llamando al 1-800-467-8445, o si lo prefiere puede escribir a

STIHL Inc., 536 Viking Drive,  
P.O. Box 2015,  
Virginia Beach, VA 23450-2015 EE.UU.

### **Cobertura por STIHL Incorporated**

STIHL Incorporated garantiza al último comprador y a cada comprador subsiguiente que el motor pequeño para equipo de uso fuera de carretera está diseñado, construido y equipado, al tiempo de la venta, de conformidad con todos los reglamentos acerca de emisiones aplicables.

Además, STIHL Incorporated garantiza al comprador inicial y a cada comprador subsiguiente que el motor está libre de defectos en el material y fabricación que puedan causar el incumplimiento de los reglamentos acerca de emisiones aplicables durante un periodo de dos años.

### Período de garantía contra defectos

Los períodos de garantía comenzarán el día en que el motor de equipo utilitario es comprado por el comprador inicial. Si cualquier componente relacionado con el sistema de control de emisiones está defectuoso, el mismo será sustituido por STIHL Incorporated sin costo alguno para el propietario.

No se permite usar componentes adicionales o modificados que no hayan sido eximidos por el Consejo de Recursos del Aire (CARB). El uso de cualquier componente adicional o modificado no eximido será motivo para la denegación del reclamo bajo garantía. STIHL Incorporated no es responsable por las fallas de los componentes garantizados causadas por el uso de un componente adicional o modificado no eximido.

La garantía de los componentes relacionados con el control de emisiones se interpretará de la manera siguiente:

1. Cualquier componente garantizado cuyo reemplazo no está programado como mantenimiento requerido en las instrucciones escritas requeridas en la Lista de Piezas bajo la Garantía de Control de Emisiones (vea más abajo) debe garantizarse por el período de garantía definido en la subsección COBERTURA POR STIHL INCORPORATED, vea más arriba. Si uno de estos componentes falla durante el período de garantía, el fabricante debe reparar o sustituir el mismo de acuerdo con la subsección (4) más abajo. Un componente reparado o sustituido bajo la garantía debe garantizarse durante el resto del período de garantía.

2. Cualquier componente garantizado que solamente debe inspeccionarse periódicamente de acuerdo con las instrucciones escritas requeridas en la Lista de Piezas bajo la Garantía de Control de Emisiones (vea más abajo) debe garantizarse por el período de garantía definido en la subsección COBERTURA POR STIHL INCORPORATED, vea más arriba. Una declaración en las instrucciones escritas tal como "reparar o sustituir según sea necesario" no acortará el período de cobertura de garantía. Un componente de este tipo reparado o sustituido bajo la garantía debe garantizarse durante el resto del período de garantía.

3. Cualquier componente garantizado que debe sustituirse como un elemento de mantenimiento requerido en las instrucciones escritas requeridas por la lista de piezas bajo la garantía de control de emisiones (vea más abajo) debe garantizarse por el intervalo antes del primer punto de sustitución programado para este componente. Si el componente falla antes del primer punto de sustitución programado, el fabricante del motor debe reparar o sustituir el mismo de acuerdo con la subsección (4) más abajo. Un componente de este tipo reparado o sustituido bajo la garantía debe garantizarse durante el resto del período de garantía antes del primer punto de sustitución programado para el componente.

4. La reparación o sustitución de cualquier componente garantizado debe llevarse a cabo en una estación de reparaciones bajo garantía sin costo alguno para el propietario.

5. No obstante lo expuesto en la subsección (4) de arriba, los servicios o las reparaciones bajo garantía pueden obtenerse en todos los centros de distribución del fabricante autorizados para dar servicio a los motores en cuestión.
6. Al propietario no se le debe cobrar el trabajo del diagnóstico que establece que el componente garantizado es de hecho defectuoso, a condición de que tal trabajo de diagnóstico se realice en una estación de reparaciones bajo garantía.

### Trabajo bajo garantía

STIHL Incorporated reparará los defectos amparados por la garantía en cualquier estación de garantía o centro de servicio autorizado por STIHL. Todo trabajo de este tipo se hará gratis para el propietario siempre que se determine que la pieza cubierta por la garantía está defectuosa. Se puede usar cualquier pieza de repuesto aprobada por el fabricante o equivalente para el mantenimiento o la reparación de los componentes relacionados con el sistema de control de emisiones, y la misma debe ser suministrada gratis al propietario. STIHL Incorporated es responsable por daños a otros componentes del motor causados por la falla de una pieza garantizada que todavía está bajo garantía.

## Marcas comerciales

### Lista de piezas bajo la garantía de emisiones

Filtro de aire, carburador, purgador, estrangulador (sistema de enriquecimiento para arranque en frío), varillaje de control, colector de admisión, magneto o sistema de encendido electrónico (módulo de encendido), bujía, convertidor catalítico (si lo tiene), tanque de combustible, tapa de tanque de combustible, línea de combustible, adaptadores de líneas de combustible, abrazaderas y sujetadores.

### Dónde presentar el reclamo para servicio bajo garantía

Lleve el producto de STIHL a cualquier concesionario de servicio autorizado por STIHL y presente la tarjeta de registro de producto STIHL firmado o la copia impresa del registro electrónico del producto.

### Limitaciones

La reparación o la sustitución de cualquier componente garantizado y normalmente abarcado por la garantía se puede excluir de la garantía si STIHL Incorporated demuestra el maltrato, negligencia o mantenimiento incorrecto del producto de STIHL, y que tal maltrato, negligencia, o mantenimiento incorrecto era la causa directa de la necesidad de reparación o sustitución del componente. A pesar de lo anterior, el ajuste de un componente que tiene un dispositivo limitador instalado en fábrica y funcionando correctamente no perjudicará la cobertura bajo garantía.

### Marcas registradas de STIHL

STIHL®



La combinación de colores anaranjado-gris (N° de registro EE.UU. #2,821,860; #3,010,057; y #3,010,058)

4-MIX®

AUTOCUT®

EASYSTART®

OILOMATIC®

STIHL Cutquik®

STIHL DUROMATIC®

STIHL Farm Boss®

STIHL Quickstop®

STIHL ROLLOMATIC®

STIHL WOOD BOSS®

TIMBERSPORTS®

YARD BOSS®

### Marcas comerciales de STIHL por ley común



BioPlus™

Easy2Start™

EasySpool™

ElastoStart™

Ematic™ / Stihl-E-Matic™

FixCut™

HT Plus™

IntelliCarb™

Master Control Lever™

Micro™

Pro Mark™

Quad Power™

Quiet Line™

STIHL Arctic™

STIHL Compact™

STIHL HomeScaper Series™

STIHL Interchangeable Attachment Series™

STIHL Magnum™ / Stihl-Magnum™  
STIHL MiniBoss™  
STIHL MotoPlus 4™  
STIHL Multi-Cut HomeScaper Series™  
Stihl Outfitters™  
STIHL PICCO™  
STIHL PolyCut™  
STIHL PowerSweep™  
STIHL Precision Series™  
STIHL Protech™  
STIHL RAPID™  
STIHL SuperCut™  
STIHL Territory™  
TapAction™  
TrimCut™

Esta lista de marcas comerciales está sujeta a cambios.

Queda terminantemente prohibido todo uso de estas marcas comerciales sin el consentimiento expreso por escrito de ANDREAS STIHL AG & Co. KG, Waiblingen.



**⚠ WARNING!**

The engine exhaust from this product contains chemicals known to the State of California to cause cancer, birth defects or other reproductive harm.

**⚠ ADVERTENCIA!**

El gas de escape del motor de esta máquina contiene productos químicos que en el estado de California son considerados como causantes de cáncer, defectos de nacimiento u otros efectos nocivos para los órganos de la reproducción.

**0458 258 8621 B**

**english / English USA / spanish / español EE.UU / CARB / EPA**