

PULLMAN-HOLT

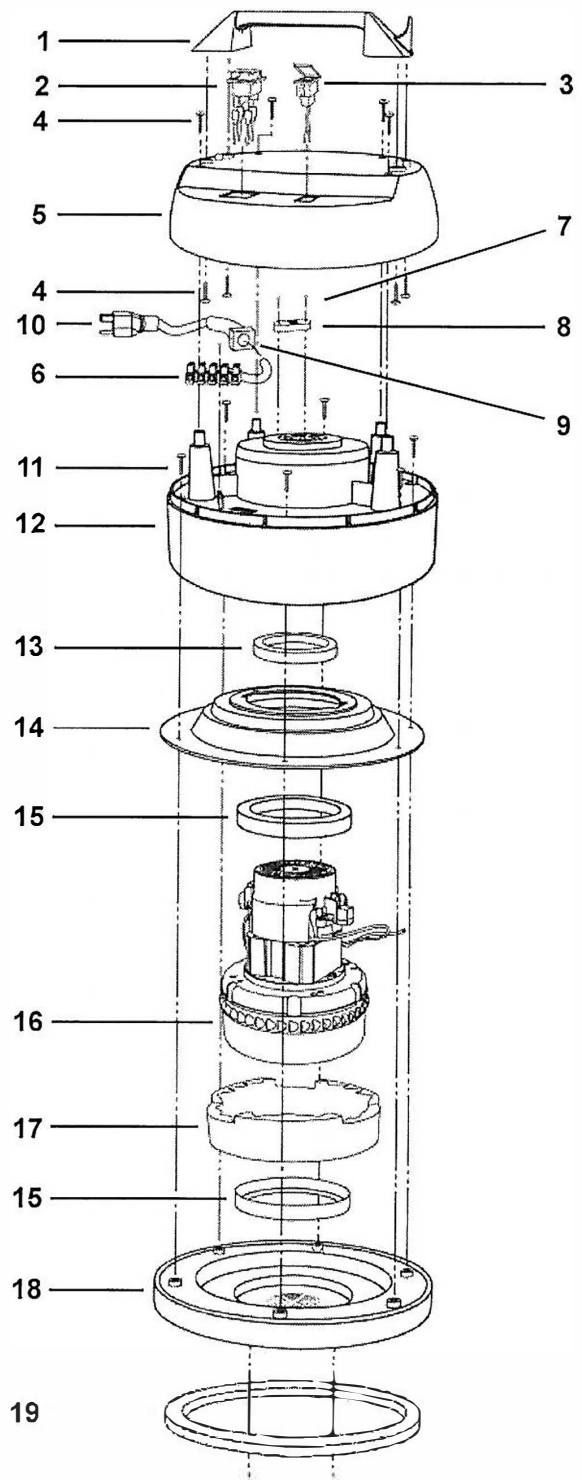
REPLACEMENT PARTS LIST

Save for future reference

45-20P Wet/Dry Vacuum

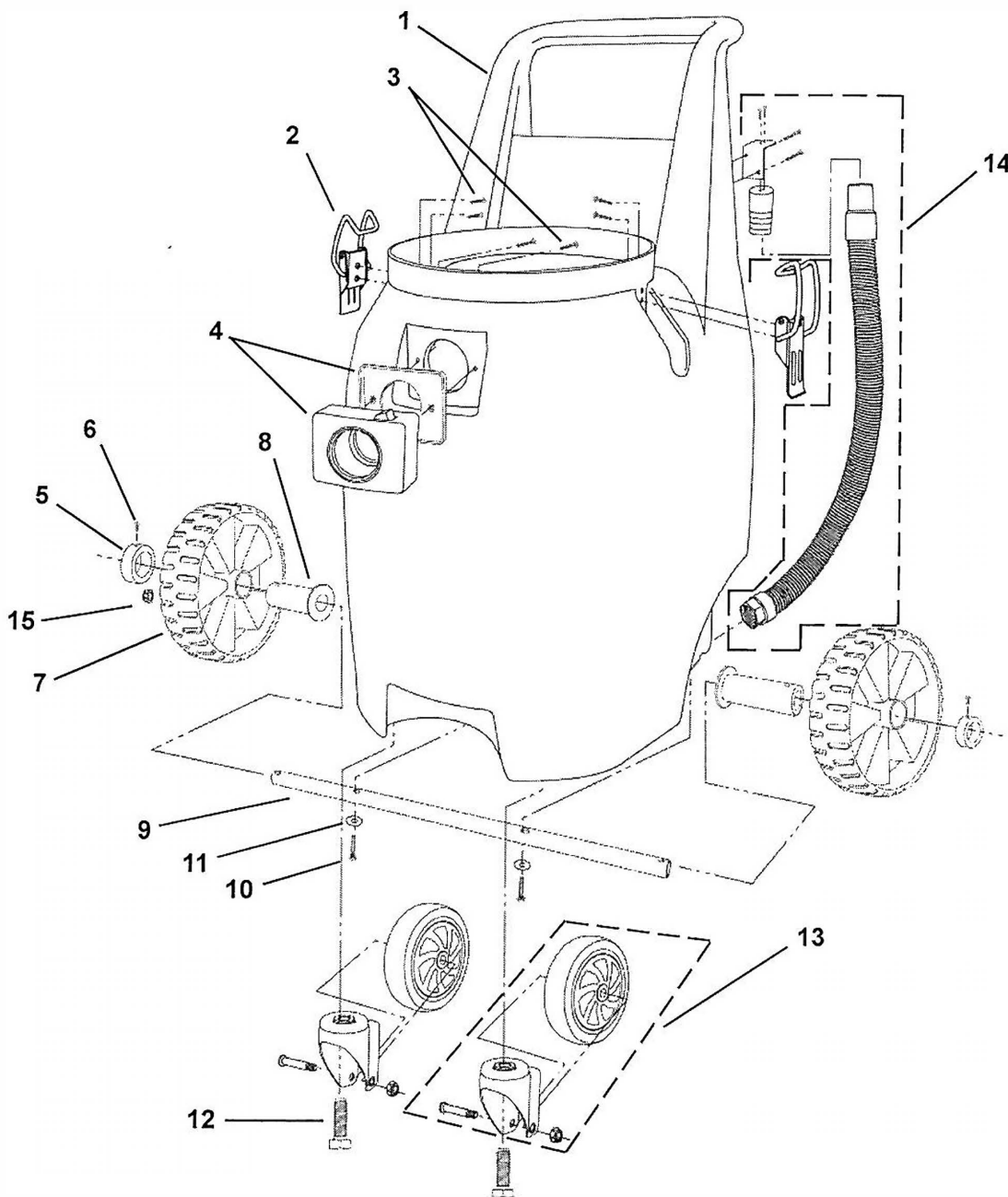
Motorhead Assembly

Ref.	Part No.	Description	Qty
1	591280301	Top Handle	1
2	591296901	Switch	1
3	591280401	Power Head Outlet	1
4	591394001	Screw 4.8 x 15mm	8
5	591280501	Dome	1
6	591297001	Terminal Strip	1
7	591297401	Screw 2.9 x 19mm	3
8	591297501	Cord Restraint	1
9	591280601	Rubber Strain Relief	1
10	591297601	Cord Set	1
11	591394001	Screw 4.8 x 15mm	6
12	591280701	Blower Chamber	1
13	591297801	Motor Cooling Gasket	1
14	591297701	Top Motor Adaptor	1
15	591597901	Motor Housing Gasket	2
16	590949801	Motor 120 volt	1
17	591297001	Foam	1
18	591298001	Can Cap	1
19	591298101	Gasket Can Cap	1



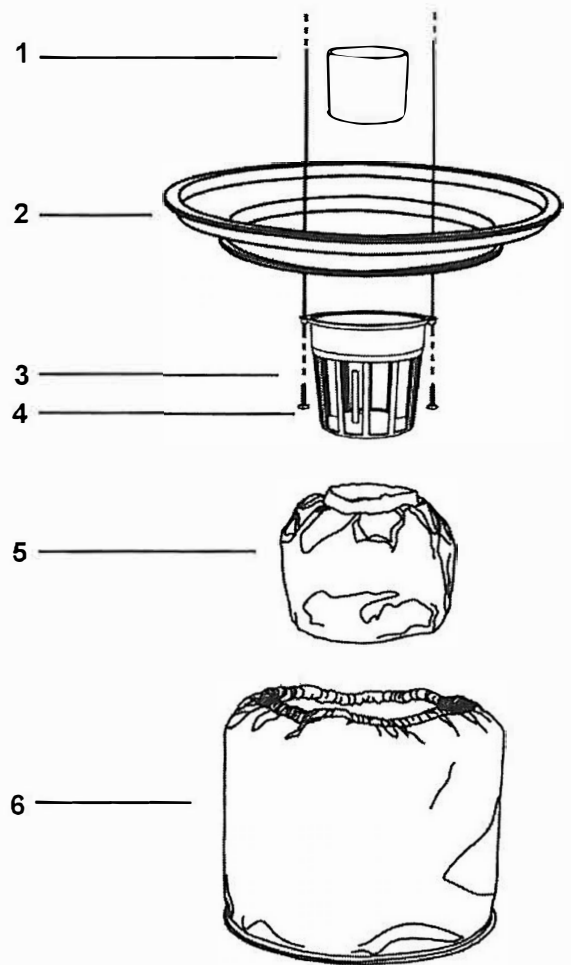
TANK ASSEMBLY

Ref.	Part No.	Description	Qty	Ref.	Part No.	Description	Qty
1	591285001	20 Gallon Tank	1	9	591285401	Axle	1
2	591276001	Clamp	2	10	591285501	Axle Mounting Screw	2
3	591447701	Stainless Steel Screw	4	11	591285601	Washer	2
4	591297201	Hose Inlet w/Gasket	1	12	591285701	Caster Mounting Bolt	2
5	591285101	Wheel Retainer	2	13	591284801	Caster Complete	2
6	591285201	Wheel Retainer Screw	2	14	591284701	Drain Hose Assembly	1
7	591284901	Wheel	2	15	591286001	Nut M5	2
8	591285301	Wheel Bearing	2				



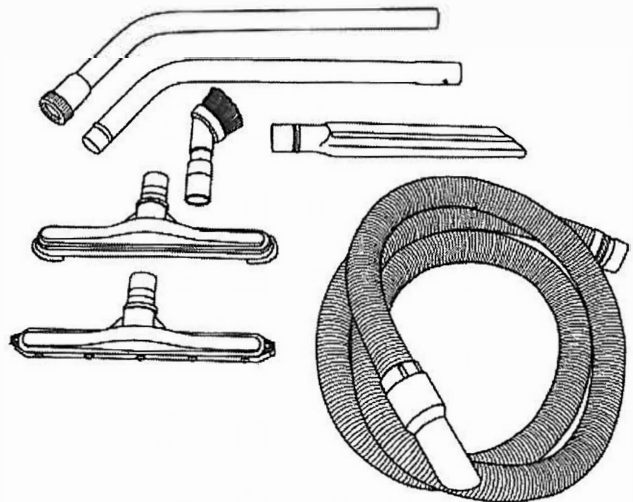
Filter Assembly

Ref.	Part No.	Description	Qty
1	591299201	Float	1
2	591216001	Filter Ring	1
3	591394001	Screw 4.8 x 15mm	2
4	591298201	Float Cage	1
5	591301501	Mesh Secondary Filter	1
6	591216001	Cloth Filter	1



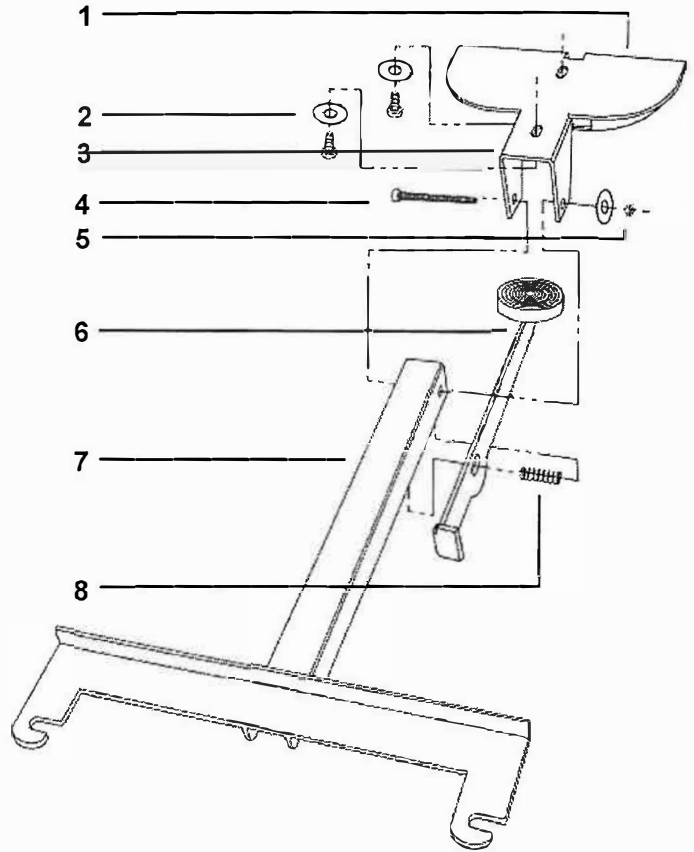
Tool Kit

Part No.	Description	Qty
591162901	5' Two-piece Wand	1
591216201	10' Crushproof Hose w Ends	1
591158601	2" Dusting Brush	1
591158401	17" Crevice Tool	1
591158501	Floor Brush Tool	1
591160801	Squeegee Tool	1



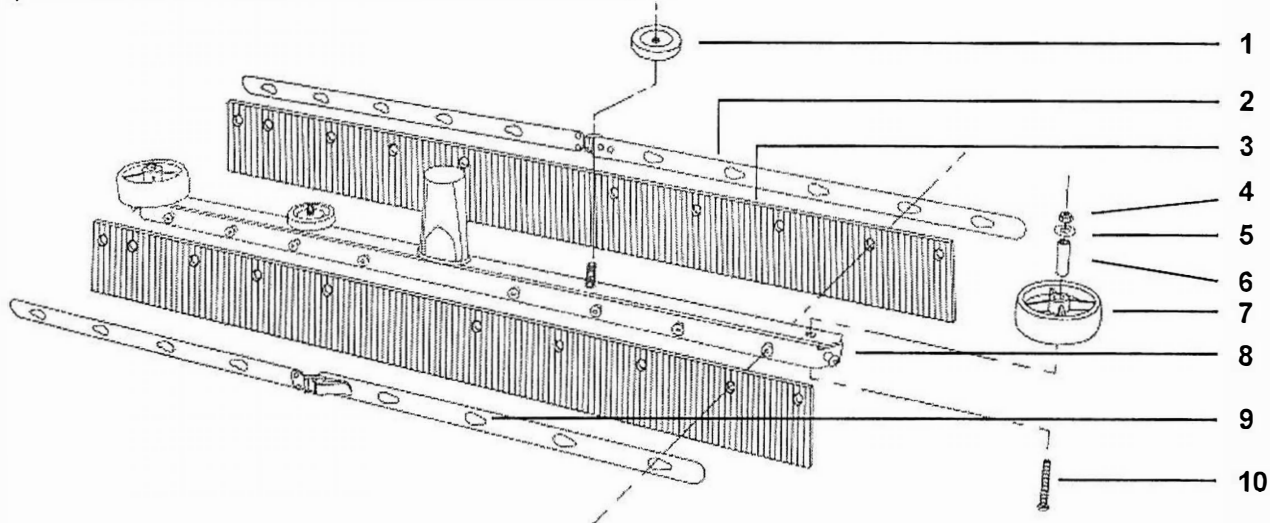
Squeegee Mount Assembly

Ref.	Part No.	Description	Qty
1	591285901	Can Mount	1
2	591285601	Flat Washer	2
3	591286101	Mounting Screw	2
4	591286201	Pivot Screw	1
5	591286301	Nut	1
6	591286401	Foot Pedal	1
7	591286501	Squeegee Mounting Arm	1
8	591286601	Spring	1



Squeegee Assembly

Ref.	Part No.	Description	Qty	Ref.	Part No.	Description	Qty	
1	591286701	Squeegee Mounting Knob	2	8	591287201	Squeegee Frame	1	
2	591286801	Squeegee Retainer Rear	1	9	591287301	Squeegee Retainer Front	1	
3	591212101	Squeegee Blade (set of 2)	1	10	591287401	Screw	2	
4	591286301	Nut	2					
5	591286901	Washer	2					
6	591287001	Sleeve Bearing	2					
7	591287101	Guide Wheel	2					
						<i>NOT SHOWN</i>		
						591285801	Squeegee Hose Assembly	1



PULLMAN-HOLT

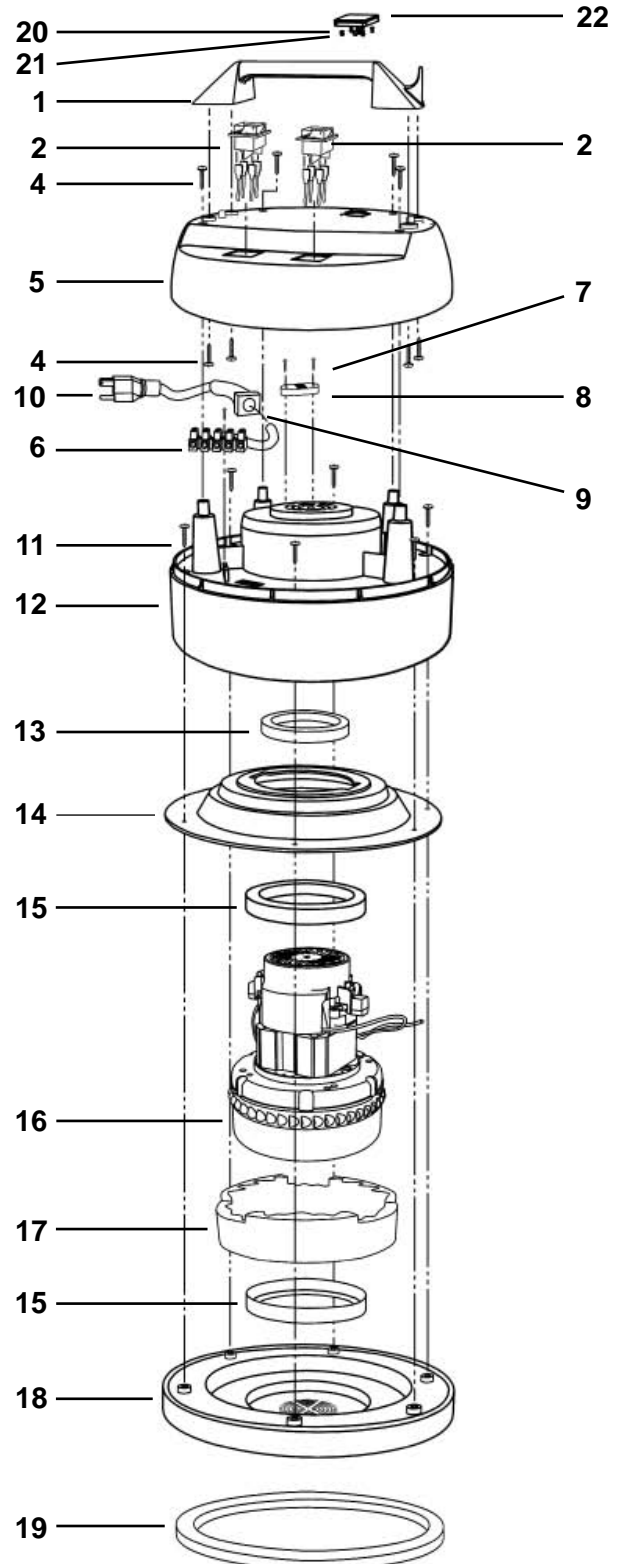
REPLACEMENT PARTS LIST

Save for future reference

45-20POV Pump Out Vacuum

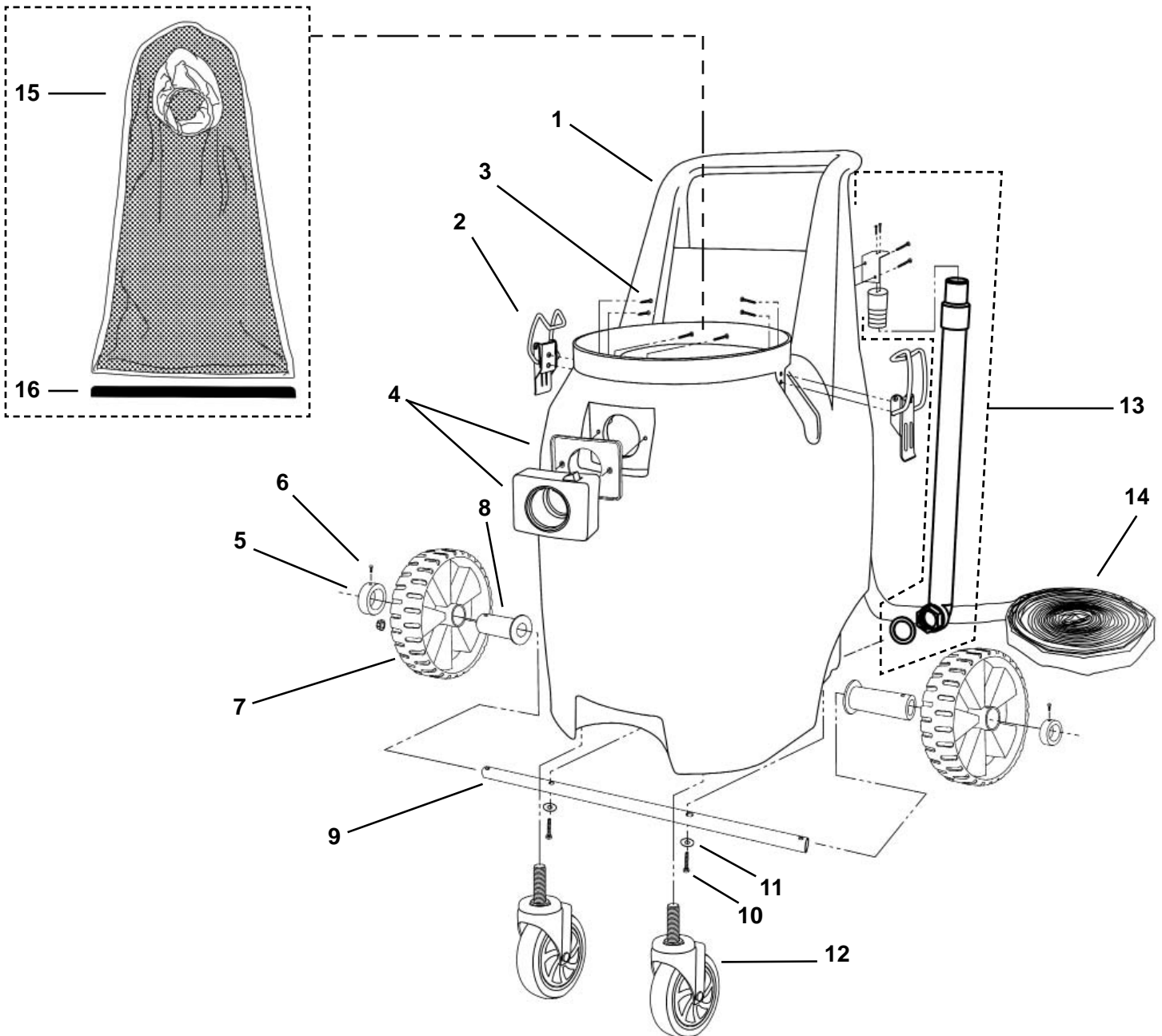
Motorhead Assembly

Ref.	Part No.	Description	Qty
1	591280301	Top Handle	1
2	591296901	Switch	2
4	591394001	Screw 4.8 x 15mm	8
5	591280501	Dome	1
6	N/A	Terminal Strip	1
7	591297401	Screw 2.9 x 19mm	3
8	591297501	Cord Restraint	1
9	591280601	Rubber Strain Relief	1
10	591297601	Cord Set	1
11	591394001	Screw 4.8 x 15mm	6
12	591280701	Blower Chamber	1
13	591297801	Motor Cooling Gasket	1
14	591297701	Top Motor Adaptor	1
15	591297901	Motor Housing Gasket	2
16	590949801	Motor 120 volt	1
17	591297001	Foam	1
18	591298001	Can Cap	1
19	591298101	Gasket Can Cap	1
20	591274901	Screw	4
21	591275001	Lock Nut	4
22	591275101	Pump Outlet	1



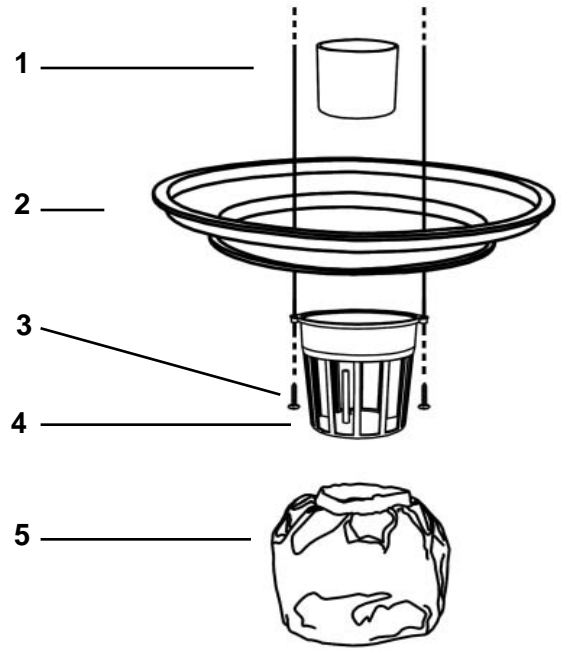
TANK ASSEMBLY

Ref.	Part No.	Description	Qty	Ref.	Part No.	Description	Qty
1	N/A	20 Gallon POV Tank	1	9	591285401	Axle	1
2	591276001	Clamp	2	10	591285501	Axle Mounting Screw	2
3	591447701	Stainless Steel Screw	4	11	591285601	Washer	2
4	591297201	Hose Inlet w/Gasket	1	12	591284801	Caster Complete	2
5	591285101	Wheel Retainer	2	13	591284701	Drain Hose Assembly	1
6	591285201	Wheel Retainer Screw	2	14	591275801	Pump Out Hose	1
7	591284901	Wheel	2	15	591275501	Mesh Filter Bag	1
8	591285301	Wheel Bearing	2	16	591275601	Bag Clip	1



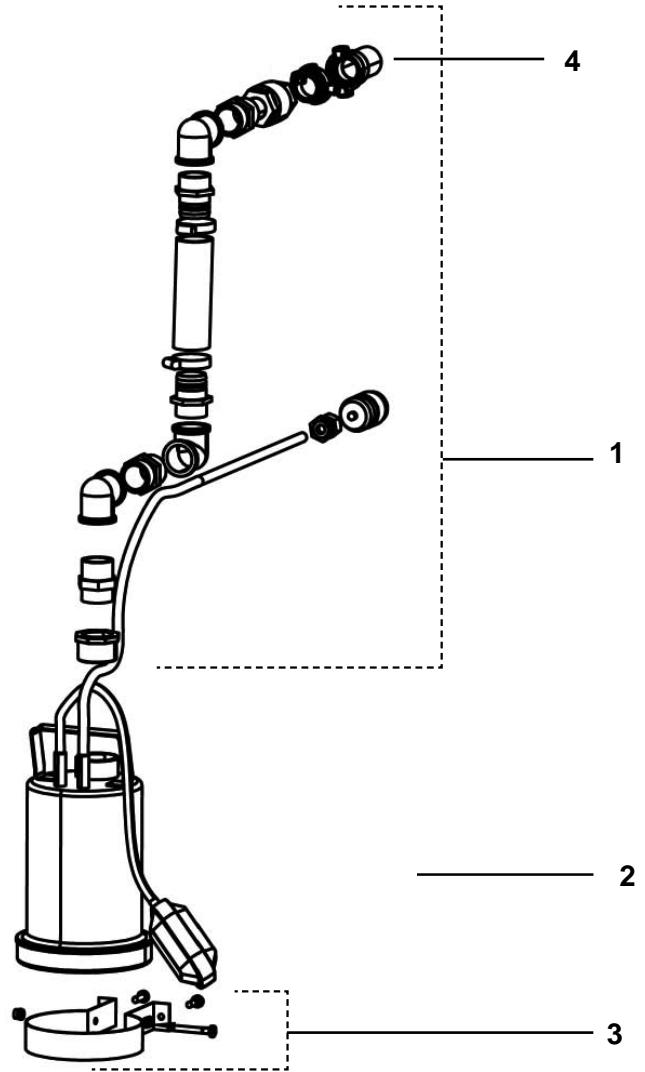
Filter Assembly

Ref.	Part No.	Description	Qty
1	591299201	Float	1
2	591216001	Cloth Filter & Ring	1
3	591394001	Screw 4.8 x 15mm	2
4	591298201	Float Cage	1
5	591301501	Mesh Secondary Bag	1



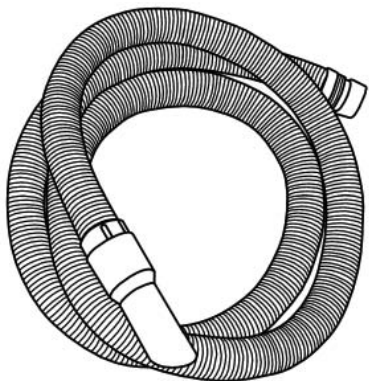
Pump Assembly

Ref.	Part No.	Description	Qty
1	591275201	Pump Plumbing Package	1
2	591275301	Pump 120V/500W	1
3	591275401	Pump Clamp Ring Assembly	1
4	597642701	Male Quick Disconnect 1" Hose Fitting	1



Accessories

Part No.	Description	Qty
591208601	20' Crushproof Hose w/ends	1



NOTES:

PULLMAN-HOLT

17400 West 119 St • Olathe, KS 66061
(813) 971-2223 • Fax (813) 971-6090
www.ErmatorUSA.com