



Click Here To View
Item at

www.GapPower.com

*Sales • Rentals
Parts & Service*

1**Owner's Manual
Lawn Combers/Seeders****BlueBird
International, Inc.****Models**

F20B - 120B - F20BLS
520 - 120 - 520LS
720 - 220 - 720LS
405 - 140 - 407 - 240
TLC240

**2****Table of Contents**

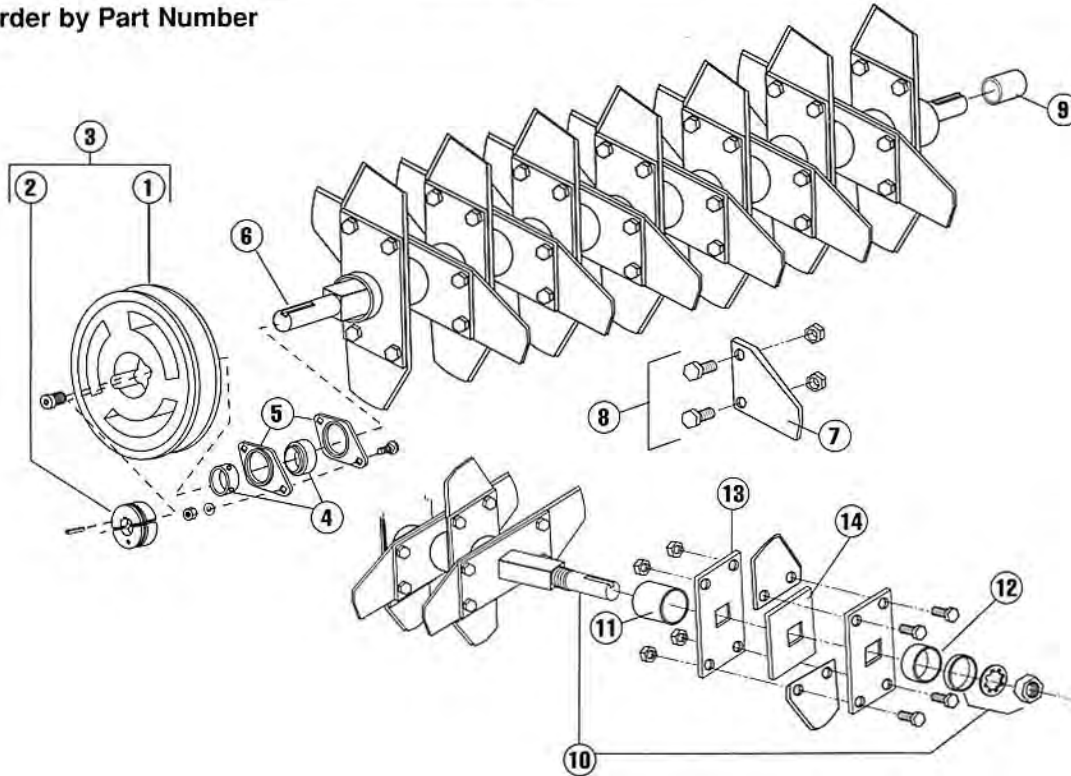
Section 3: Lawn Comber Specifications	Section 18: Turn Rotor End to End	Section 33: Drawing F20B & 120B
Section 4: Features and Controls	Section 19: To Replace Worn Blades	Section 34: Parts F20B & 120B
Section 5: Putting Into Service	Section 20: Drive Belt Replacement	Section 35: Drawing 520-120-720-220
Section 6: General Operating Instructions	Section 21: Storage	Section 36: Parts 520-120-720-220
Section 7: Warnings	Section 22: Catcher Unit 405-140-407-240	Section 37: Drawing F20BLS & 120BLS
Section 8: Blade Versatility	Section 23: Catcher Bag	Section 38: Parts F20BLS & 120BLS
Section 9: Before You Start	Section 24: Proper Height Setting	Section 39: Drawing 520LS-120LS-720LS-220LS
Section 10: Starting	Section 25: Lawn Conditions	Section 40: Parts 520LS-120LS-720LS-220LS
Section 11: Finishing	Section 26: Attach Platform	Section 41: Drawing 405-140-407-240
Section 12: Maintenance and Service	Section 27: Lawn Seeder Operating Instructions	Section 42: Parts 405-140-407-240
Section 13: General Safety	Section 28: General Information	Section 43: Drawing TLC240
Section 14: Lubrication Schedule	Section 29: Setting the Seed Hopper	Section 44: Parts TLC240
Section 15: Inspection Schedule	Section 30: Delta Blade Wear	Section 45: Warranty
Section 16: Engine Service and Warranty	Section 31: Drawing Delta Reel	Section 46: Sound Test
Section 17: Adjusting Blade Height & Blade Wear	Section 32: Parts Delta Reel	Section 47: Vibration Test

3**Specifications**

	Engine hp	Net Weight (lbs)	Shipping Weight (lbs)	Width (inches)	Height (inches)	Length (inches)
F20B	5 B&S - 5.5 Honda	112	124	26	22.5	19.5
120B	NA	94	106	26	22.5	19.5
F20BLS	5 B&S - 5.5 Honda	138	150	26.75	22.5	26.75
520	5 B&S - 5.5 Honda	129	145	27	24	17.25
120	NA	115	131	27	24	17.25
520LS	5 B&S - 5.5 Honda	175	189	27.75	24	33
720	7 B&S	142	158	27	26.5	17.25
220	NA	115	142	27	26.5	17.25
720LS	7 B&S	187	201	27.75	26.5	33
405	5 B&S - 5.5 Honda	153	172	27.25	24.87	24
407	7 B&S	166	185	27.25	27.37	24
TLC240	7 B&S	181	198	35	29	27.5

Drawing Delta Reel

Please Order by Part Number



Parts Delta Reel

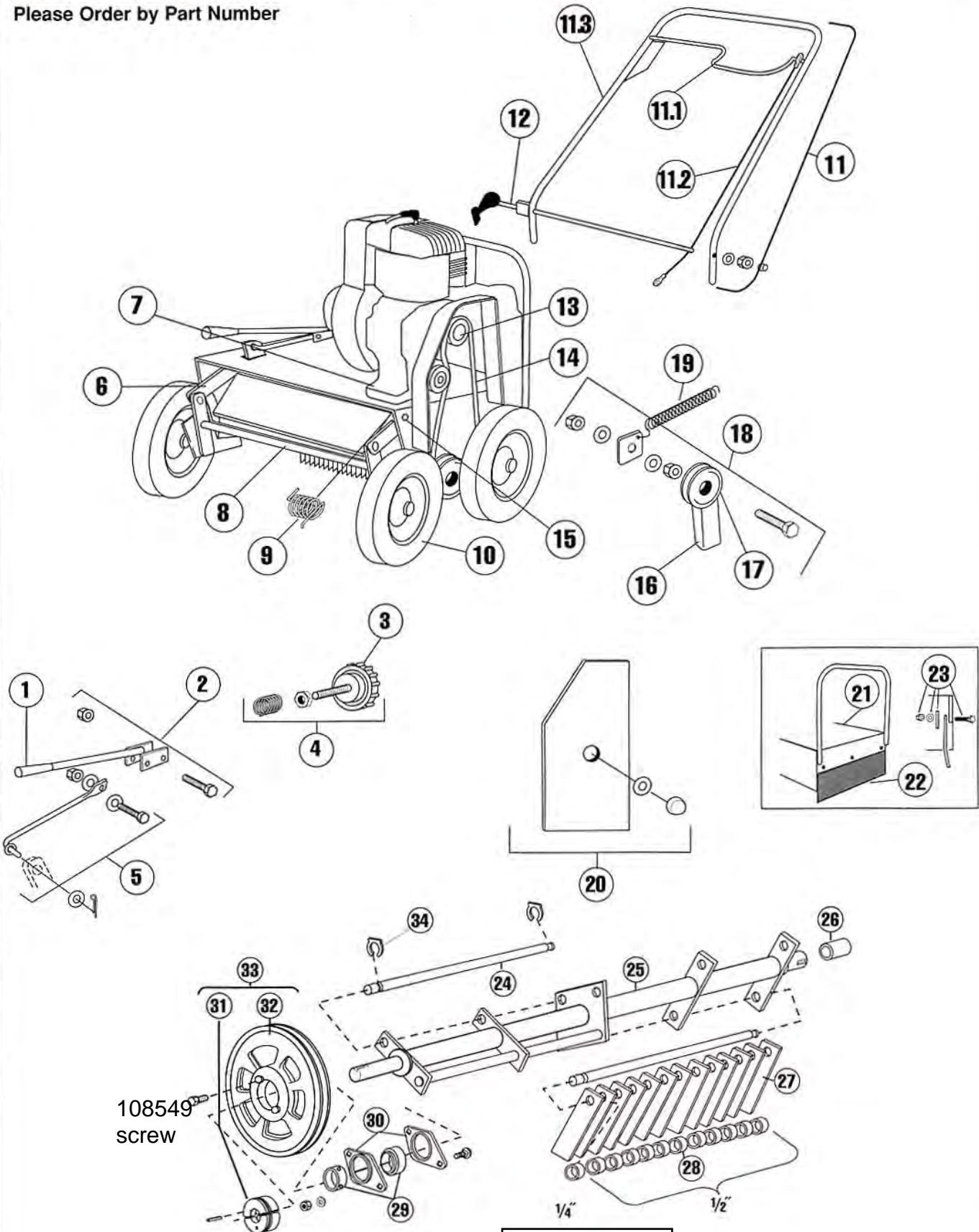
NOTE: Quantity refers to Quantity used in a complete machine

Item No.	Part No.	Description	F20BD	F20BLS	520D	520LS	720D	720LS
1	0345	V-pulley, A-5" O.D.	1	1				
	0349	V-pulley, B-6.3" O.D.			1	1	1	1
2	0347	Bushing, 3/4" bore, with screws	1	1	1	1	1	1
3	5250	V-pulley, A-5" O.D. with 3/4" bushing	1	1				
	5169	V-pulley, B-6.3" O.D. with 3/4" bushing			1	1	1	1
4	0315	Bearing, 3/4" with locking collar (1 each)	2	2	2	2	2	2
5	5185	Stamping kit for 3/4" bearing w/hardware (1 each)	2	2	2	2	2	2
6	5249	Delta reel assembly, without blades	1	1				
	5049	Delta reel assembly, without blades			1	1	1	1
	5920	Delta reel assembly complete without bearings	1	1				
	5940	Delta reel assembly complete without bearings			1	1	1	1
	5922	Delta reel assembly complete with bearings	1	1				
7	5942	Delta reel assembly complete with bearings			1	1	1	1
	5970	Blade, set, Delta, 20 ea. austempered	1	1	1	1	1	1
8	5075	Bolt kit, blade, 40 each with nuts	1	1	1	1	1	1
9	5005	Cap, plastic, 3/4" I.D.	1	1	1	1	1	1
10	5061	Shaft, Delta reel with nut and washer	1	1	1	1	1	1
11	5064	Spacer, carrier, steel tube (1 each)	9	9	9	9	9	9
12	5065	End ring, steel (1 each)	2	2	2	2	2	2
	5268	Plate, blade carrier (1 each)	20	20				
13	5062	Plate, blade carrier (1 each)			20	20	20	20
	5269	Plate, blade spacer (1 each)	10	10				
14	5063	Plate, blade spacer (1 each)			10	10	10	10

*For Models TLC240 Towable, see sections 43 and 44

Drawing F20B & 120B

Please Order by Part Number



5229 individual

5228 individual

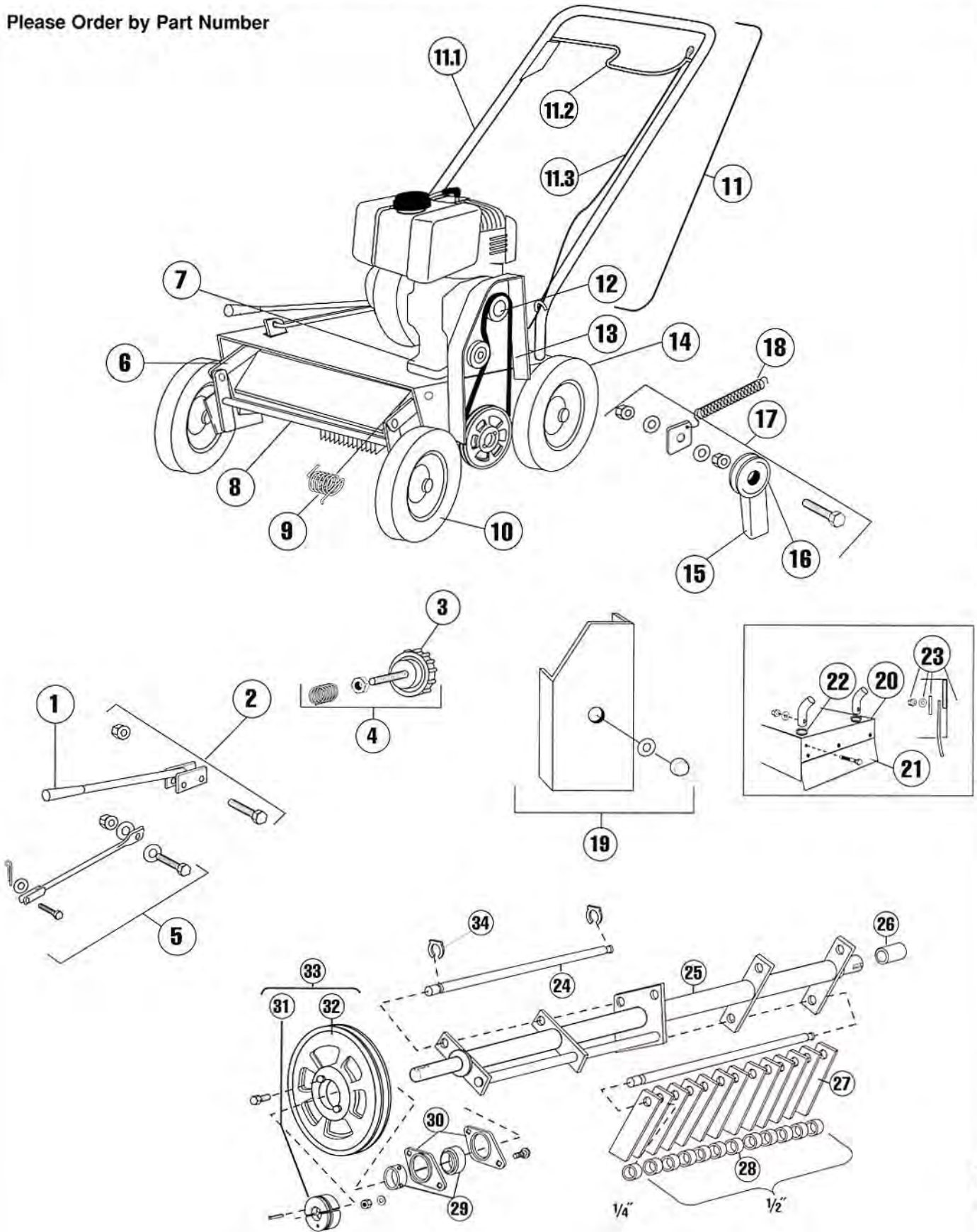
NOTE: Quantity refers to Quantity used in a complete machine

Item no.	Part no.	Description	F20B	120B
1	0026	Knob, black plastic	1	1
2	5145	Lever kit, height adjustment w/hardware	1	1
3	5151	Knob with screw	1	1
4	5150	Height adjustment kit	1	1
5	5406	Push rod kit, with hardware	1	1
6	5190	Torque arm assembly, height adjustment, includes 5168 trunnion rod kit	1	1
7	5193	Plate, engine bolt, top (1 each)	2	2
	5198	Bolt kit, engine	1	1
8	5235	Axle, front wheel	1	1
	5164	Pin kit, front axle, contains 2 each clevis pins, washers and cotter pins	1	1
9	5154	Spring, torsion	1	1
10	5051	Wheel, 8" x 1.75" semi-pneumatic, with ball bearing (1 each)	4	4
	5052	Bolt kit, wheel, right front	1	1
	5247	Bolt kit, wheel, left front	1	1
	5248	Bolt kit, wheel, left rear	1	1
	5254	Bolt kit, wheel, right rear	1	1
11	5238	Handle assembly, includes 5239 clutch handle, 5289 clutch cable and 5242 handle	1	1
11.1	5239	Clutch handle	1	1
11.2	5289	Clutch cable with hardware	1	1
11.3	5242	Handle, folding	1	1
12	5207	Rod kit, with cam	1	1
	5256	Cam locking lever	1	1
13	0329	V-pulley, A-2.5" O.D. x 3/4" bore	1	1
14	0334	V-belt, A-31" special	1	1
	5217	Belt keeper kit, includes bolt, nut and washer	1	1
15	5168	Trunnion rod kit	1	1
16	5121	Mounting arm, idler pulley	1	1
17	0343	Pulley, idler, 2 3/4" O.D.	1	1
18	5027	Pulley kit, idler includes 5121, 5129, 0343, bolt, nuts and washers	1	1
19	5129	Spring, clutch	1	1
20	5215	Shield assembly, with washer and nut	1	1
21	5210	Housing, Model F-20B and 120B	1	1
22	5161	Deflector, Neoprene	1	1
23	5162	Strap kit, with bolts, for deflector	1	1
24	5002	Shaft set, 4 each with C clips	1	1
25	5170	Rotor, flail, without blades and shaft	1	1
	5275	Rotor assembly, complete without bearings	1	1
	5280	Rotor assembly, complete with bearings	1	1
26	5005	Cap, plastic, 3/4" I.D.	1	1
27	5201	Blade set, flail, 52 each, 1/4" x 3 1/2"	1	1
	5203	Blade and shaft set, 5201 and 5002 in package	1	1
28	5004	Spacer set, rubber, 48 each	1	1
29	0315	Bearing, 3/8" with locking collar	2	2
30	5185	Stamping kit, for 3/8" bearing, with bolts, nuts and washers (1 each)	2	2
31	0347	Bushing, 3/4" bore, with screws	1	1
32	0345	V-pulley, A-5" O.D., without bushing	1	1
33	5250	V-pulley, A-5" O.D. with 3/4" bushing	1	1
34	0351	Retaining clip	8	8
	8520	Decal kit, F20B and 120B	1	1
	0727	Paint, blue 12.5 oz. spray can		
	0728	Paint, blue 1 qt. can		

*For Delta Reel Models, refer to sections 31 and 32

Drawing 520-120-720-220

Please Order by Part Number



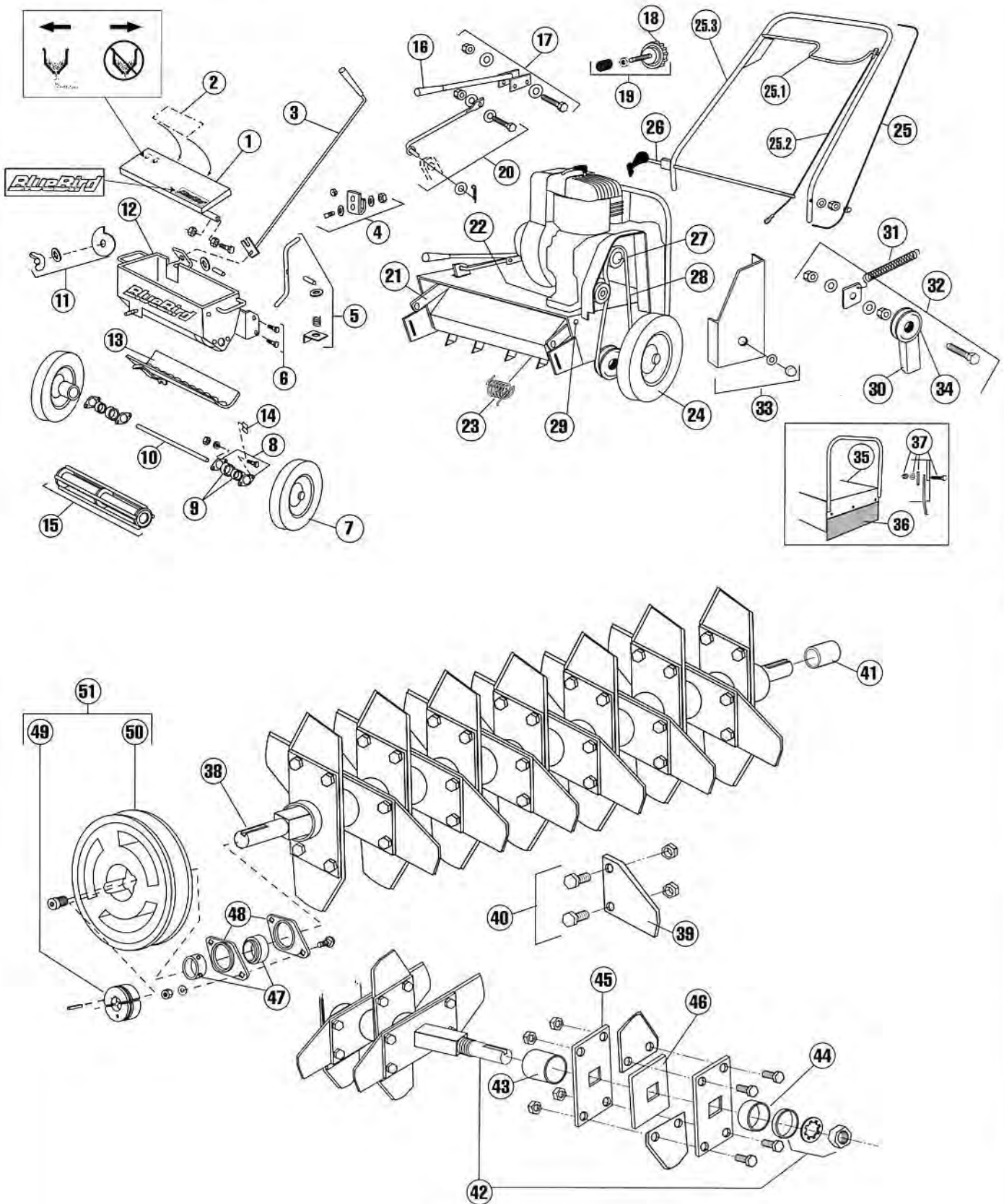
NOTE: Quantity refers to Quantity used in a complete machine

Item no.	Part no.	Description	520	120	720	220
1	0026	Knob, black plastic	1	1	1	1
2	5145	Lever kit, height adjustment with bolt, nut and washers	1	1	1	1
3	5151	Knob with screw	1	1	1	1
4	5150	Height adjustment kit	1	1	1	1
5	5155	Push rod kit with hardware	1	1	1	1
6	5190	Torque arm assembly, height adjustment, includes 5168 kit	1	1	1	1
	5168	Trunnion rod kit	1	1	1	1
7	5193	Plate, engine bolt, top (1 each)	2	2	1	1
	5198	Bolt kit engine	1	1	1	1
8	5135	Axle, front wheel	1	1	1	1
	5164	Pin kit, front axle, contains 2 ea. clevis pins, washers & cotter pins	1	1	1	1
9	5154	Spring, torsion	1	1	1	1
10	5051	Wheel, 8" x 1.75" semi-pneumatic, with ball bearing (1 each)	2	2	2	2
	5052	Bolt kit, wheel, front (1 each)	2	2	2	2
11	5163	Handle assembly, includes 5165 handle, 5171 clutch handle and 5089 clutch cable	1	1	1	1
11.1	5165	Handle, operator	1	1	1	1
11.2	5171	Clutch handle	1	1	1	1
11.3	5089	Clutch cable with hardware	1	1	1	1
12	0330	V-pulley, B-3" O.D. x 3/4" bore	1	1		
	0331	V-pulley, B-3" O.D. x 1" bore			1	1
13	0339	V-belt, B-36" special	1	1		
	0340	V-belt B-38" special			1	1
	5140	Belt keeper kit, includes bolt, nut and washer	1	1	1	1
14	5053	Wheel, 10" x 2.75" semi-pneumatic with ball bearing (1 each)	2	2	2	2
	5054	Bolt kit, wheel, rear (1 each)	2	2	2	2
15	5121	Mounting arm, idler pulley	1	1	1	1
16	0343	Pulley, idler, 2 1/4" O.D.	1	1	1	1
17	5027	Pulley kit, idler includes 5121, 5129, 0343 and bolt, nuts and washers	1	1	1	1
18	5129	Spring, clutch rod	1	1	1	1
19	5025	Shield assembly, with washer and nut	1	1	1	1
20	5110	Housing weldment	1	1	1	1
21	5161	Deflector, Neoprene	1	1	1	1
22	5167	Bolt kit, handle	1	1	1	1
23	5162	Strap kit, with bolts, for deflector	1	1	1	1
24	5002	Shaft kit, 4 each with C clips	1	1	1	1
25	5170	Rotor, flail, without blades and shafts	1	1	1	1
	5175	Rotor assembly, complete without bearings	1	1	1	1
	5180	Rotor assembly, complete with bearings	1	1	1	1
26	5005	Cap, plastic, 3/4" I.D.	1	1	1	1
27	5001	Blade set, flail, 52 each, 1/8" x 4"	1	1	1	1
	5003	Blade and shaft set, 5001 and 5002 in one package	1	1	1	1
28	5004	Spacer set, rubber, 48 each	1	1	1	1
29	0315	Bearing, 3/4" with locking collar (1 each)	2	2	2	2
30	5185	Stamping kit, for 3/4" bearing, with bolts, nuts and washers (1 each)	2	2	2	2
31	0347	Bushing, 3/4" bore, with screws	1	1	1	1
32	0349	V-pulley, B-6.3" O.D., without bushing	1	1	1	1
33	5169	V-pulley, B-6.3" O.D. with 3/4" bushing	1	1	1	1
34	0351	Retaining clip	8	8	8	8
	8518	Decal kit, 520 and 120	1	1		
	8526	Decal kit, 720 and 220			1	1
	0727	Paint, blue 12.5 oz. spray can				
	0728	Paint, blue 1 qt. can				

*For Delta Reel Models, refer to sections 31 and 32

Drawing F20BLS & 120BLS Lawn Seeder

Please Order by Part Number

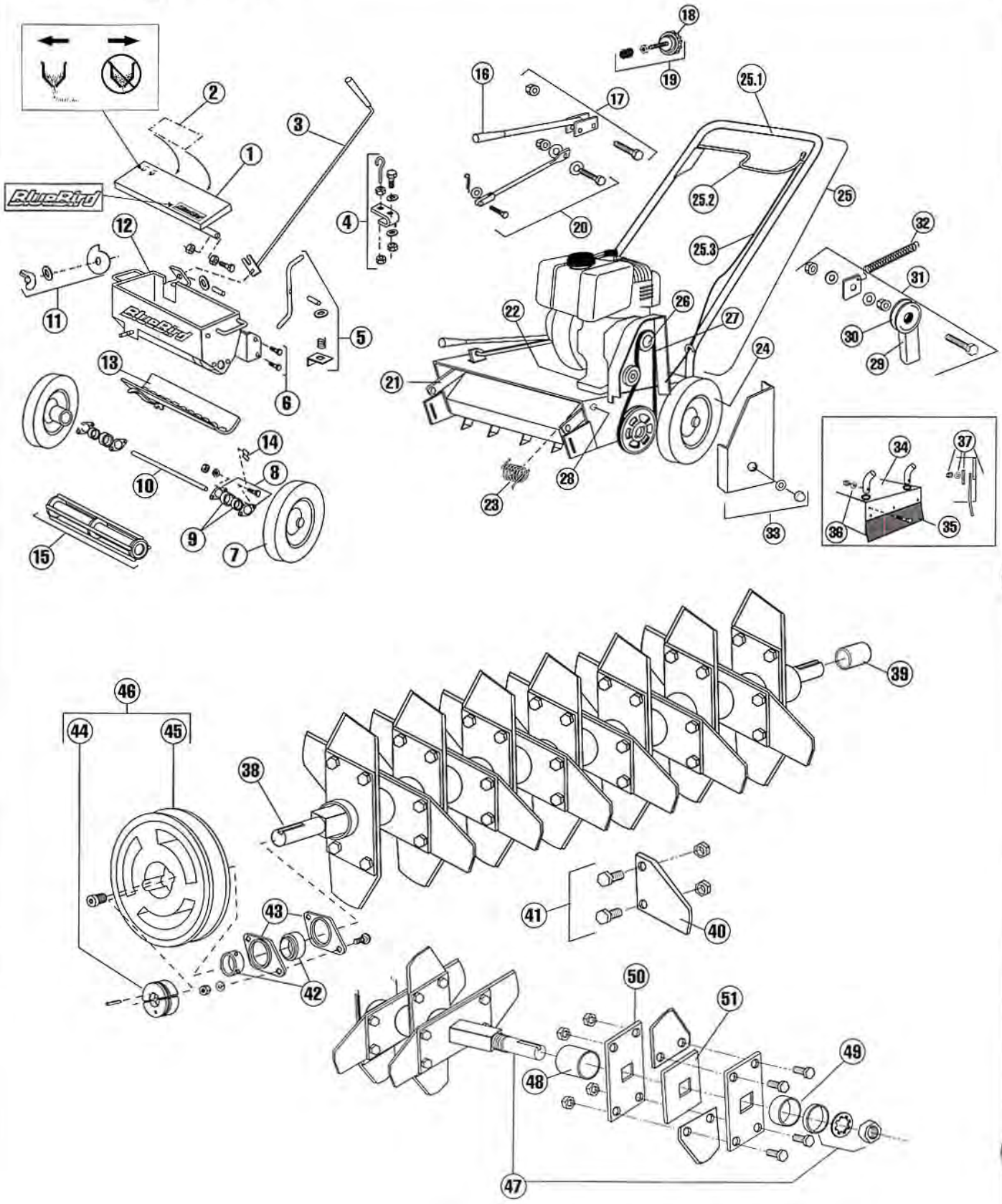


Parts F20BLS & 120BLS Lawn Seeders

NOTE: Quantity refers to Quantity used in a complete machine

Item no.	Part no.	Description	F20B	120B
1	9117	Cover assembly with decals and hardware	1	1
2	9118	Decal, seed application	1	1
3	9213	Control rod with knob and hardware	1	1
4	9111	Bracket, support with hardware for control rod	1	1
5	9214	Slide activator rod kit	1	1
6	9216	Bolt kit, seeder to unit	1	1
7	9128	Wheel, 8" x 1.75" fixed hub, with pin (1 each)	2	2
8	9126	Stamping kit, for 5/8" bearing, with bolts, nuts and washers (1 each)	2	2
9	9127	Bearing, 5/8" with locking collar (1 each)	2	2
10	9125	Axle, agitator with screw	1	1
11	9121	Dial, cam control with decal and nut	1	1
12	9219	Hopper with decals	1	1
13	9229	Gate, slide	1	1
14	9120	Bracket, stop	1	1
15	9130	Agitator with screw Rep by 54047 SCW	1	1
16	0026	Knob, black plastic	1	1
17	5145	Lever kit, height adjustment w/hardware	1	1
18	5151	Knob with screw	1	1
19	5150	Height adjustment kit	1	1
20	5406	Push rod kit, with hardware	1	1
21	5190	Torque arm assembly, height adjustment, includes 5168 trunnion rod kit	1	1
22	5193	Plate, engine bolt, top (1 each)	2	2
	5198	Bolt kit, engine	1	1
23	5154	Spring, torsion	1	1
24	5051	Wheel, 8" x 1.75" semi-pneumatic, with ball bearing (1 each)	2	2
	5248	Bolt kit, wheel, left rear	1	1
	5254	Bolt kit, wheel, right rear	1	1
25	5238	Handle assembly, includes 5239 clutch handle, 5289 clutch cable and 5242 handle	1	1
25.1	5239	Clutch handle	1	1
25.2	5289	Clutch cable with hardware	1	1
25.3	5242	Handle, folding	1	1
26	5207	Rod kit, with cam	1	1
	5256	Cam locking lever	1	1
27	0329	V-pulley, A-2.5" O.D. x 3/4" bore	1	1
28	0334	V-belt, A-31" special	1	1
	5217	Belt keeper kit, includes bolt, nut and washer	1	1
29	5168	Trunnion rod kit	1	1
30	5121	Mounting arm, idler pulley	1	1
31	5129	Spring, clutch	1	1
32	5027	Pulley kit, idler includes 5121, 5129, 0343, bolt, nuts and washers	1	1
33	9115	Shield assembly, with washer and nut	1	1
34	0343	Pulley, idler, 2 1/2" O.D.	1	1
35	5210	Housing, Model F-20B and 120B	1	1
36	5161	Deflector, Neoprene	1	1
37	5162	Strap kit, with bolts, for deflector	1	1
38	5249	Delta reel assembly, without blades	1	1
	5920	Delta reel assembly complete without bearings	1	1
	5922	Delta reel assembly complete with bearings	1	1
39	5970	Blade set, Delta, 20 each, austempered	1	1
40	5075	Bolt kit, blade, 40 ea.	1	1
41	5005	Cap, plastic, 3/4" I.D.	1	1
42	5061	Shaft, Delta reel with nut and washers	1	1
43	5064	Spacer, carrier, steel tube (1 each)	9	9
44	5065	End ring, steel (1 each)	2	2
45	5268	Plate, blade carrier (1 each)	20	20
46	5269	Plate, blade spacer (1 each)	10	10
47	0315	Bearing, 3/8" with locking collar (1 each)	2	2
48	5185	Stamping kit, for 3/8" bearing, with bolts, nuts and washers (1 each)	2	2
49	0347	Bushing, 3/4" bore, with screws	1	1
50	0345	V-pulley, A-5" O.D., without bushing	1	1
51	5250	V-pulley, A-5" O.D. with 3/4" bushing	1	1
	8523	Decal kit, Seeder attachment	1	1
	8527	Decal kit, F20BLS & 120BLS	1	1
	0727	Paint, blue 12.5 oz spray can		
	0728	Paint, blue 1 qt. can		

Please Order by Part Number

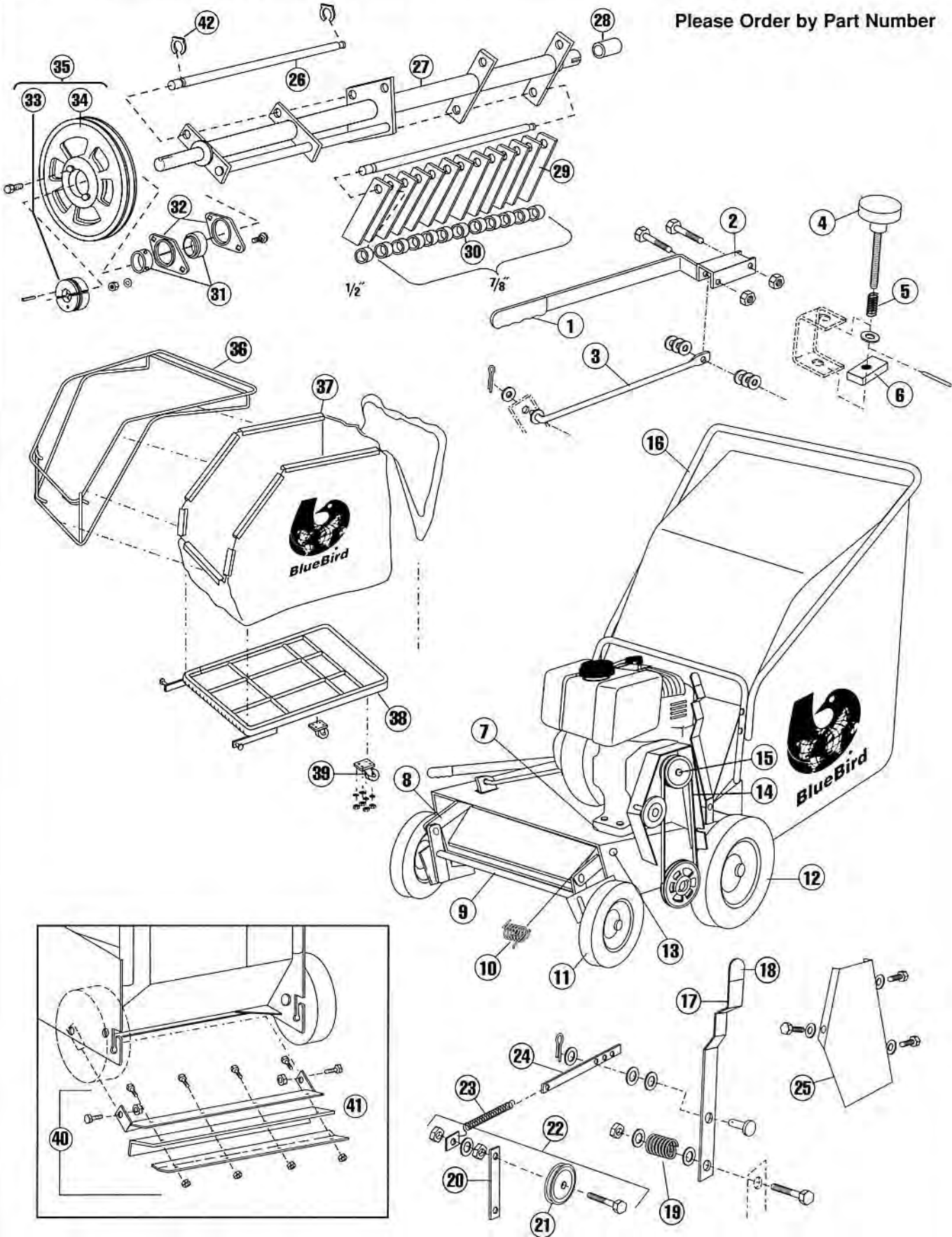


NOTE: Quantity refers to Quantity used in a complete machine

Item no.	Part no.	Description	520	120	720	220
1	9117	Cover assembly with decals and hardware	1	1	1	1
2	9118	Decal, seed application	1	1	1	1
3	9213	Control rod with knob and hardware	1	1	1	1
4	9232	Bracket, support with hardware for control rod	1	1	1	1
5	9214	Slide activator rod kit	1	1	1	1
6	9216	Bolt kit, seeder to unit	1	1	1	1
7	9137	Wheel, 10" x 1.75" fixed hub, with pin (1 each)	2	2	2	2
8	9126	Stamping kit, for 3/4" bearing, with bolts, nuts and washers (1 each)	2	2	2	2
9	9127	Bearing, 3/4" with locking collar (1 each)	2	2	2	2
10	9125	Axle, agitator with screw	1	1	1	1
11	9121	Dial, cam control with decal and nut	1	1	1	1
12	9234	Hopper, with decals	1	1	1	1
13	9229	Gate, slide	1	1	1	1
14	9120	Bracket, stop	1	1	1	1
15	9130	Agitator with screw	1	1	1	1
16	0026	Knob, black plastic	1	1	1	1
17	5145	Lever kit, height adjustment with bolt, nut and washers	1	1	1	1
18	5151	Knob with screw	1	1	1	1
19	5150	Height adjustment kit	1	1	1	1
20	5155	Push rod kit with hardware	1	1	1	1
21	5190	Torque arm assembly, height adjustment, includes 5168 kit	1	1	1	1
22	5193	Plate, engine bolt, top (1 each)	2	2	1	1
	5198	Bolt kit engine	1	1	1	1
23	5154	Spring, torsion	1	1	1	1
24	5053	Wheel, 10" x 1.75" semi-pneumatic, with ball bearing (1 each)	2	2	2	2
	5054	Bolt kit, wheel, rear (1 each)	2	2	2	2
25	5163	Handle assembly, includes 5165 handle, 5171 clutch handle and 5089 clutch cable	1	1	1	1
25.1	5165	Handle, operator	1	1	1	1
25.2	5171	Clutch handle	1	1	1	1
25.3	5089	Clutch cable with hardware	1	1	1	1
26	0330	V-pulley, B-3" O.D. x 3/4" bore	1	1		
	0331	V-pulley, B-3" O.D. x 1" bore			1	1
27	0339	V-belt, B-36" special	1	1		
	0340	V-belt B-38" special			1	1
	5140	Belt keeper kit, includes bolt, nut and washer	1	1	1	1
28	5168	Trunnion rod kit	1	1	1	1
29	5121	Mounting arm, idler pulley	1	1	1	1
30	0343	Pulley, idler, 2 1/4" O.D.	1	1	1	1
31	5027	Pulley kit, idler includes 5121, 5129, 0343 and bolt, nuts and washers	1	1	1	1
32	5129	Spring, clutch rod	1	1	1	1
33	5025	Shield assembly, with washer and nut	1	1	1	1
34	5110	Housing weldment	1	1	1	1
35	5161	Deflector, Neoprene	1	1	1	1
36	5167	Bolt kit, handle	1	1	1	1
37	5162	Strap kit, with bolts, for deflector	1	1	1	1
38	5049	Delta reel assembly, without blades	1	1	1	1
	5940	Delta reel assembly complete without bearings	1	1	1	1
	5942	Delta reel assembly, complete with bearings	1	1	1	1
39	5005	Cap, plastic, 3/4" I.D.	1	1	1	1
40	5970	Blade set, Delta, 20 ea., austempered	1	1	1	1
41	5075	Bolt kit, blade, 40 ea. with nuts	1	1	1	1
42	0315	Bearing, 3/4" with locking collar (1 each)	2	2	2	2
43	5185	Stamping kit, for 3/4" bearing, with bolts, nuts and washers (1 each)	2	2	2	2
44	0347	Bushing, 3/4" bore, with screws	1	1	1	1
45	0349	V-pulley, B-6.3" O.D., without bushing	1	1	1	1
46	5169	V-pulley, B-6.3" O.D. with 3/4" bushing	1	1	1	1
47	5061	Shaft, Delta reel with nut and washers	1	1	1	1
48	5064	Spacer, carrier, steel tube (1 each)	9	9	9	9
49	5065	End ring, steel (1 each)	2	2	2	2
50	5062	Plate, blade carrier (1 each)	20	20	20	20
51	5063	Plate, blade spacer (1 each)	10	10	10	10
	8523	Decal kit, seeder attachment	1	1	1	1
	8528	Decal kit, 520LS and 120LS	1	1		
	8529	Decal kit, 720LS and 220LS			1	1
	0727	Paint, blue 12.5 oz. spray can				
	0728	Paint, blue 1 qt. can				

Drawing 405-140-407-240 Lawn Combers

Please Order by Part Number

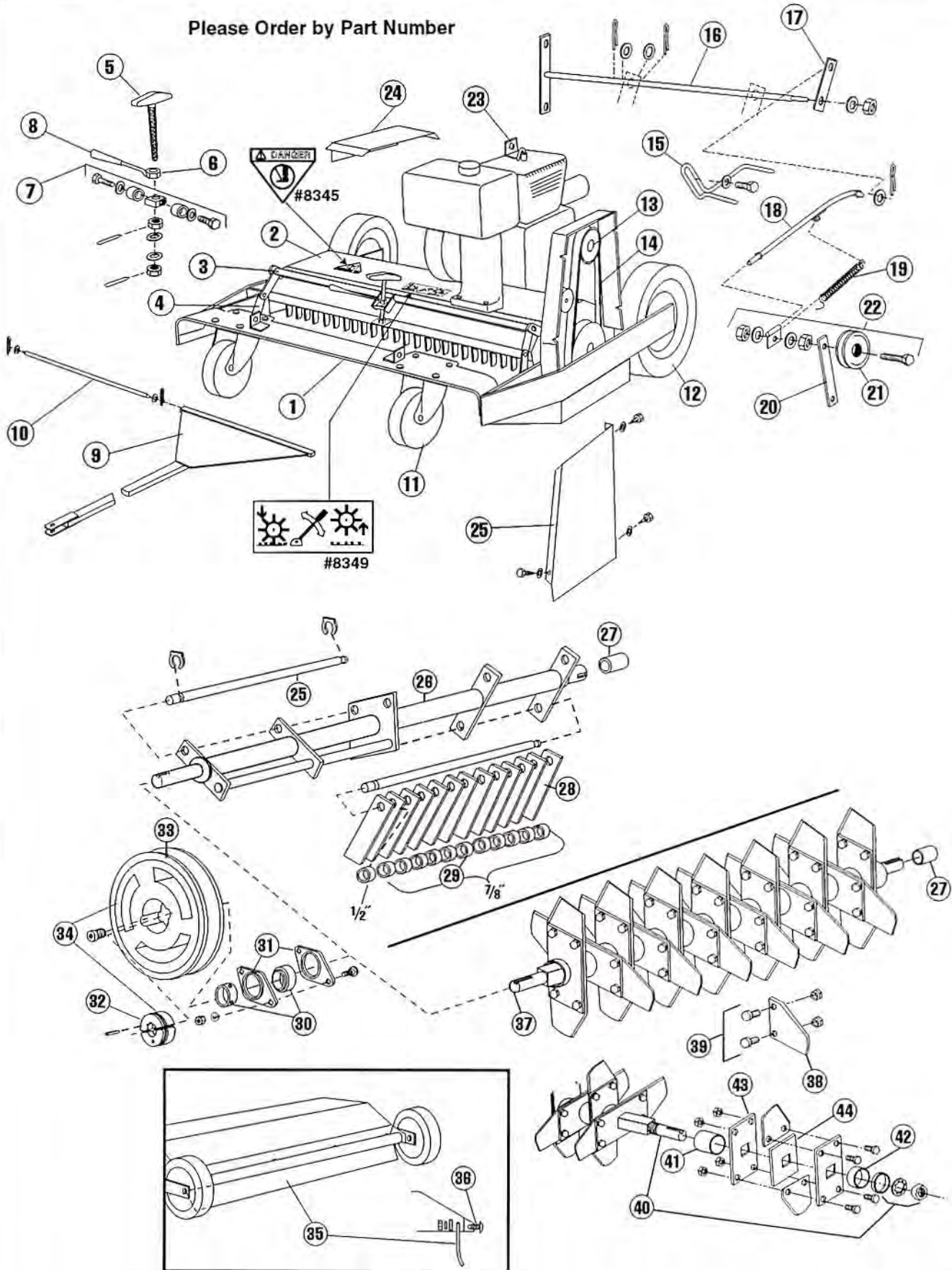


NOTE: Quantity refers to Quantity used in a complete machine

Item no.	Part no.	Description	405	140	407	240
1	5414	Grip, black plastic	1	1	1	1
2	5405	Lever kit, height adjustment with bolt and nut	1	1	1	1
3	5406	Push rod kit	1	1	1	1
4	5407	Knob kit, height adjustment	1	1	1	1
5	5408	Spring, compression	1	1	1	1
6	5443	Stop block kit with washer and pin	1	1	1	1
	5400	Height adjustment kit contains 5407, 54098 and 5443	1	1	1	1
7	5193	Plate, engine bolt, top	1	1	1	1
	5018	Plate, engine bolt, bottom	1	1	1	1
8	5190	Torque arm assembly, height adjustment includes 5168	1	1	1	1
	5164	Pin kit, front axle contains 2 ea. clevis pins, washers and cotter pins	1	1	1	1
9	5135	Axle, front wheel	1	1	1	1
10	5154	Spring, torsion	1	1	1	1
11	5051	Wheel, 8" X 1.75" semi-pneumatic, with ball bearings (1 each)	2	2	2	2
	5052	Bolt kit, wheel, front (1 each)	2	2	2	2
12	5053	Wheel, 10" X 2.75" semi-pneumatic, with ball bearing (1 each)	2	2	2	2
	5054	Bolt kit, wheel, rear (1 each)	2	2	2	2
13	5168	Trunnion rod kit	1	1	1	1
14	0333	V-belt, B-33" special	1	1		
	0341	V-belt B-35" special			1	1
15	0330	V-pulley, B-3" O.D. X 3/4" bore	1	1		
	0331	V-pulley, B-3" O.D. X 1" bore			1	1
16	5472	Handle	1	1	1	1
	5470	Bolt kit, handle	1	1	1	1
17	5467	Clutch handle kit	1	1	1	1
18	5009	Cap, plastic flat	1	1	1	1
19	5130	Spring, clutch handle	1	1	1	1
20	5452	Arm, mounting, idler pulley	1	1	1	1
21	0343	Pulley, idler 2 3/4" O.D.	1	1	1	1
22	5453	Pulley kit, idler includes 5452, 5129, 0343 and hardware	1	1	1	1
	5140	Belt keeper kit, includes hardware	1	1	1	1
23	5129	Spring, clutch rod	1	1	1	1
24	5481	Link kit, clutch adjustment	1	1	1	1
25	5482	Shield assembly with bolts and washers	1	1	1	1
	5410	Housing, for 405 and 407	1	1	1	1
26	5002	Shaft kit, 4 each with C clips	1	1	1	1
27	5170	Rotor, flail, without blades and shafts	1	1	1	1
	5485	Rotor assembly, complete without bearings	1	1	1	1
	5490	Rotor assembly, complete with bearings	1	1	1	1
28	5005	Cap, plastic, 3/4" I.D.	1	1	1	1
29	5401	Blade set, flail, 36 each, 3/8" x 4"	1	1	1	1
	5403	Blade and shaft set, 5401 and 5002 in one package	1	1	1	1
30	5404	Spacer set, rubber, 32 each	1	1	1	1
31	0315	Bearing, 3/4" with locking collar (1 each)	2	2	2	2
32	5185	Stamping kit, for 3/4" bearing, with bolts, nuts and washers (1 each)	2	2	2	2
33	0347	Bushing, 3/4" bore, with screws	1	1	1	1
34	0344	V-pulley, B-4.5" O.D., without bushing	1	1	1	1
35	5469	V-pulley, B-4.5" O.D. with 3/4" bushing	1	1	1	1
36	5465	Frame, catcher bag	1	1	1	1
37	5464	Catcher bag	1	1	1	1
38	5461	Platform, without casters	1	1	1	1
	5460	Platform, with casters	1	1	1	1
39	5462	Caster kit with nuts and washers (1 each)	2	2	2	2
40	5489	Chute extension kit with bolts	1	1	1	1
41	5496	Neoprene, 3/16" x 2 3/4" x 20 1/2"	1	1	1	1
42	0351	Retaining clip	8	8	8	8
	8517	Decal kit, 405 and 140	1	1		
	8525	Decal kit, 407 and 240			1	1
	0727	Paint, blue 12.5 oz. spray can				
	0728	Paint, blue 1 qt. can				

Drawing TLC240 w/Flail Reel or Delta Reel

Please Order by Part Number



Parts TLC240 w/Flail Reel or Delta Reel

NOTE: Quantity refers to Quantity used in a complete machine

Item no.	Part no.	Description	TLC240	TLC240 w/Delta
1	5730	Frame	1	1
2	5700	Housing	1	1
3	5767	Torque arm assembly, height adjustment	1	1
4	5768	Link kit, lifting arm	1	1
5	5770	Knob kit, height adjustment	1	1
6	5721	Lock lever, height adjustment	1	1
7	5771	Hardware kit, height adjustment	1	1
	5769	Height adjustment kit, contains 5770, 5721, and 5771	1	1
8	0027	Knob, black plastic 2 3/8"	1	1
9	5772	Tow bar	1	1
10	5773	Connecting rod kit	1	1
11	5774	Caster, 6" with bolt kit (1 each)	2	2
12	5053	Wheel, 10" x 2.75 (1 each)	2	2
	5776	Bolt kit, wheel, rear	1	1
13	0331	V-pulley, B-3" O.D. x 1" bore	1	1
14	0340	V-belt, B-38" special	1	1
15	5450	Belt keeper	1	1
16	5778	Clutch activator rod	1	1
17	5779	Clutch link assembly w/nut and pin	1	1
18	5780	Clutch push rod assembly w/washer and pin	1	1
19	5129	Spring, clutch rod	1	1
20	5121	Arm, idler pulley	1	1
21	0355	Pulley, idler 2 1/4" O.D.	1	1
22	5781	Pulley kit, idler contains 5121, 0355, bolt, nuts and washers	1	1
23	5782	Bracket, lifting	1	1
24	5783	Shield assembly w/bolts and washers	1	1
25	5789	Shaft set, 4 ea w/clips	1	
26	5775	Rotor, flail	1	
	5790	Rotor assembly w/blades	1	
	5791	Rotor assembly w/blades, bearings and stampings	1	
27	5006	Cap, plastic 1" I.D.	1	1
28	5784	Blade set, 48 ea 1/8" x 4"	1	
29	5785	Spacer set, rubber, 44 each	1	
30	0317	Bearing, 1" with lock collar (1 each)	2	2
31	5786	Stamping kit, 1" bearing, w/bolts, nuts and washers (1 each)	2	2
32	0348	Bushing 1" bore with screws	1	1
33	0349	V-pulley, B-6.3" O.D.	1	1
34	5787	V-pulley, B-6.3" O.D. with bushing	1	1
35	5761	Deflector, neoprene	1	1
36	5792	Strap kit, with bolts, for deflector	1	1
37	5795	Delta reel assembly, without blades		1
	5990	Delta reel assembly complete without bearings		1
	5995	Delta reel assembly complete with bearings		1
38	5997	Blade set, Delta, 26 each		1
39	5991	Bolt kit, blade, 52 each with nuts		1
40	5796	Shaft, Delta reel with nut and washer		1
41	5793	Spacer, carrier, steel tube (1 each)		12
42	5797	End ring, steel (1 each)		2
43	5798	Plate, blade carrier (1 each)		26
44	5799	Plate, blade spacer (1 each)		13
	8516	Decal kit	1	1
	0727	Paint, blue 12.5 oz. spray can		
	0728	Paint, blue 1 quart can		