

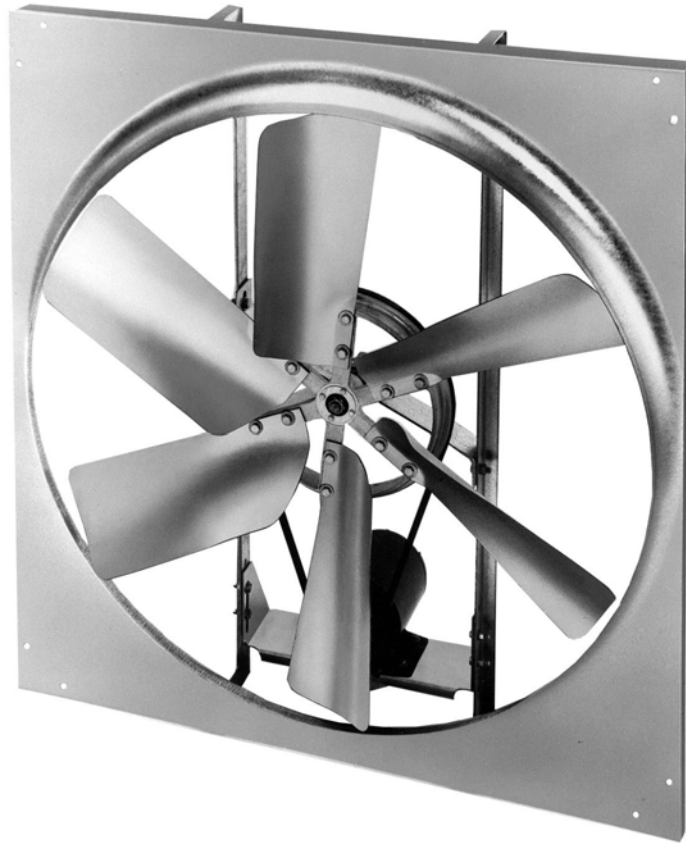


Click Here To View
Item at

www.GapPower.com

*Sales • Rentals
Parts & Service*

CONTROLLED ENVIRONMENT SYSTEMS FOR FARM BUILDINGS



FARM BUILDING
VENTILATION

TYPE

NCF

FANS

FARM PRODUCTS DIVISION



MEMBER OF AMCA
AMERICAN COOLAIR CORPORATION
BOX 2300, JACKSONVILLE, FL 32203

Phone (904) 389-3646

Fax (904) 387-3449

E-MAIL – agfans@coolair.com

WEBSITE – www.coolair.com

Coolair® MEANS PERFORMANCE

WITH ALL GALVANIZED NCF FANS



Now you can buy Coolair quality and our unique blade design at a savings to you and your customers. The NCF Fans are the answer to your ventilation requirements. We utilize our innovative drive assembly which applies power through V-belts directly to the propeller. Blade load is concentrated directly over the bearings for more economical operation and longer bearing life.

Performance and efficiency are the keynotes to the Coolair NCF Fans. Our use of quality materials and precise engineering techniques in constructing blade assemblies assures you of years of quiet, trouble-free service. When economy is measured in terms of cubic feet of air per minute per dollar invested, Coolair fans are today's best investment. Coolair uses only the most efficient ball bearing

motors available. They are totally enclosed motors. Coolair provides recommendations on your specific needs for confinement rearing of poultry, hogs and other livestock. Contact us with your particulars.

AMERICAN COOLAIR CORPORATION certifies that the performance data for the type NCF wall fan models shown below (Item numbers 14-21) is based on tests conducted in an accredited laboratory in accordance with ANSI/AMCA Standard 210-99.

NCF WALL FAN ONLY

CUBIC FEET PER MINUTE (CFM) AT STATIC PRESSURE														
ITEM NO.	FAN MODEL	FAN SIZE	MOTOR HP	FAN RPM	0" S.P.		.05" S.P.		.10" S.P.		.15" S.P.		.20" S.P.	
					CFM	WATT	CFM	WATT	CFM	WATT	CFM	WATT	CFM	WATT
14	NCF36J	36	1/2	484	11,659	18.4	11,090	16.7	10,432	15.4	9,513	13.8	8,212	11.6
15	NCFB48L	48	1	424	22,050	18.8	21,115	17.4	20,110	16.1	18,998	14.8	17,529	13.3
16	NCFE52L	52	1	354	22,904	23.2	21,823	21.1	20,479	19.2	18,581	17.3	15,989	14.5
17	NCF52L	52	1	374	24,198	20.7	23,186	18.9	21,966	17.4	20,354	15.9	18,026	13.8
NCF FAN, SLOPE WALL HOUSING, INLET SHUTTER & GUARD														
18	MNCFE36J	36	1/2	449	10,532	19.5	9,813	17.8	8,931	15.7	7,884	13.6	5,085	8.0
19	MNCF36J		1/2	483	11,363	17.2	10,688	15.8	9,877	14.2	8,982	12.7	7,638	10.5
NCF FAN, SLOPE WALL HOUSING, INLET SHUTTER, GUARD & CONE														
20	MNCFEC36J	36	1/2	450	11,810	23.1	10,952	20.3	9,953	17.9	8,869	15.6	7,295	12.8
21	MNCF36J		1/2	483	12,669	20.4	11,888	18.2	11,010	16.4	9,951	14.5	8,794	12.5

AMERICAN COOLAIR CORPORATION certifies that the performance data for the type NCF circulator fan models shown below (Item numbers 22-25) is based on tests conducted in an accredited laboratory in accordance with ANSI/AMCA Standard 230-99.

NCF CIRCULATOR FAN

ITEM NO.	FAN MODEL	FAN SIZE	MOTOR HP	FAN RPM	CCFM	CCFM/WATT	THRUST lbf	THRUST EFF. lbf/kW
22	NCFA36J52L	36	1/2	459	14,530	35.6	9.2	22.4
23	NCFE52L	52	1	334	30,781	40.4	19.4	25.5
24	NCF52L		1	389	34,379	26.9	24.2	22.4
25	NCF52M		1 1/2	417	38,981	27.1	28.0	19.7

PERFORMANCE RATINGS

The performance ratings listed below (Item numbers 1-13) were obtained through testing by the Bioenvironmental and Structural Systems Lab (BESS Lab) at the University of Illinois. All fans were tested with a shutter and discharge guard, and some may also include an optional discharge cone as noted in the fan description. The fan housing was mounted flush to the test chamber face, as in an actual building installation. Power measurements were taken on the fan/motor combination and include motor efficiency and drive losses.

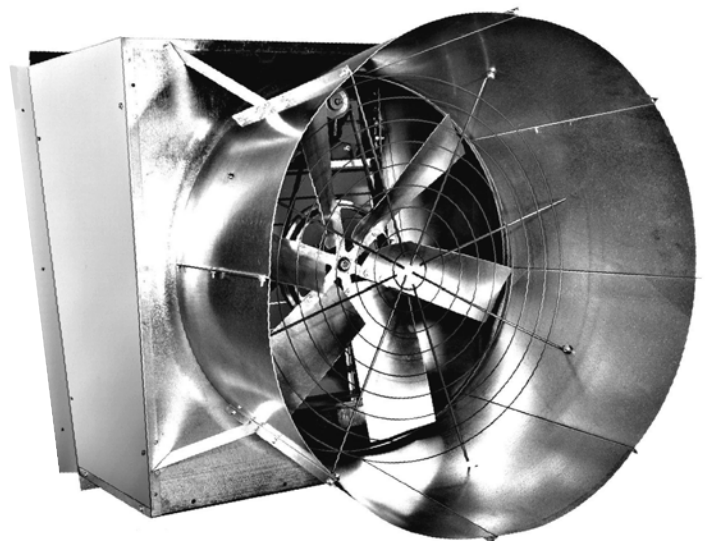
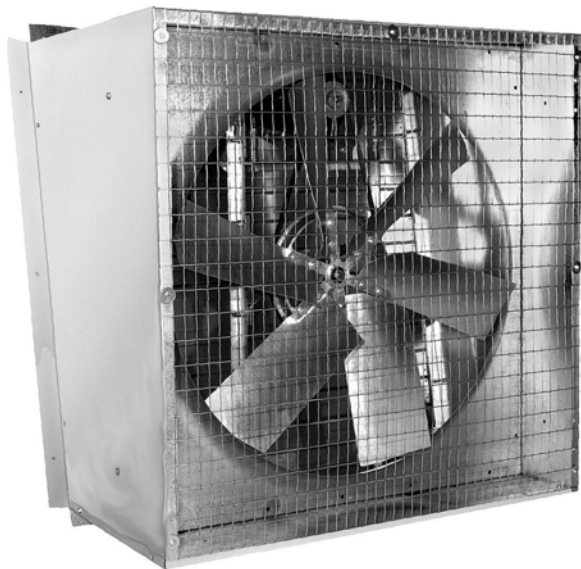


NCF FAN, SLOPE WALL HOUSING, INLET SHUTTER & GUARD

CUBIC FEET PER MINUTE (CFM) AT STATIC PRESSURE															
ITEM NO.	FAN MODEL	FAN SIZE	BESS LAB TEST #	MOTOR HP	FAN RPM @ .05"	0" S.P.		.05" S.P.		.10" S.P.		.15" S.P.		.20" S.P.	
						CFM	WATT	CFM	WATT	CFM	WATT	CFM	WATT	CFM	WATT
1	MNCFB48K	48	01245	3/4	352	18,062	25.5	16,527	22.6	14,639	19.2	11,939	15.1	6,804	8.1
2	MNCFBE48L		01244	1	379	19,744	23.0	18,309	20.6	16,623	18.1	14,548	15.4	11,104	11.3
3	MNCFB48L		01241	1	411	21,418	20.2	20,176	18.5	18,736	16.8	17,092	14.7	15,129	12.6
4	MNCFE52L	52	99160	1	337	22,479	24.4	20,864	22.2	18,961	19.7	16,543	17.1	12,732	13.1
5	MNCF52L		99158	1	375	24,884	20.1	23,529	18.4	21,829	16.8	19,913	15.2	17,217	13.1
6	MNCF52M		99156	1-1/2	395	26,103	18.7	24,816	17.4	23,397	16.1	21,755	14.7	19,615	13.2

NCF FAN, SLOPE WALL HOUSING, INLET SHUTTER, GUARD & CONE

7	MNCFBC48K	48	01110	3/4	357	20,708	29.5	19,261	26.0	16,916	21.4	13,972	16.8	7,956	9.3
8	MNCFBEC48L		01105	1	381	22,236	26.3	20,971	23.5	19,027	20.2	16,601	16.8	13,435	13.2
9	MNCFBC48L		01106	1	414	24,267	24.3	23,115	22.0	21,437	19.3	19,245	16.6	16,938	14.0
10	MNCF52K	52	01126	3/4	328	23,397	30.0	21,294	25.9	18,298	21.3	14,993	16.9	4,072	4.4
11	MNCFEC52L		01118	1	354	25,364	26.3	23,545	23.4	21,132	20.0	18,048	16.6	12,543	11.3
12	MNCF52L		01114	1	374	27,028	24.6	25,359	22.0	23,109	19.1	20,331	16.2	16,677	12.9
13	MNCF52M		01113	1-1/2	408	29,287	21.8	27,966	20.0	25,950	17.8	23,731	15.8	21,211	13.7

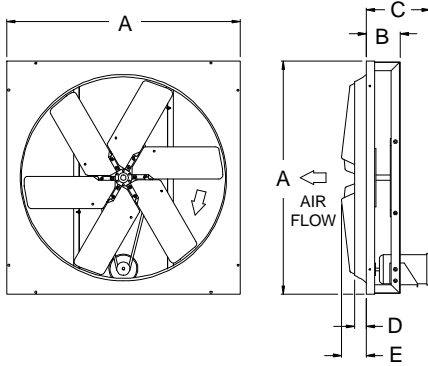


WARNING: If these ventilation products are used in agricultural structures to support life where failure of the ventilation could result in loss or injury, the user must provide an adequate back-up ventilation system and a failure alarm system. The user must accept the risk of such loss or injury from failure of the ventilation system.

DIMENSIONS AND DRAWINGS

TYPE NCF FANS

FAN MODEL	A	B	C	D	E
NCF36	44	5 3/4	12	2 1/2	3 3/4
NCFB48	56	4 3/4	12 3/8	3 7/8	6
NCF52			13		

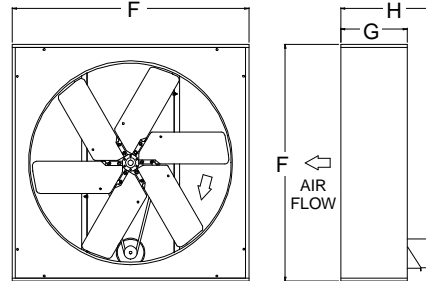


FRONT VIEW

SIDE VIEW

TYPE NCF FANS in WAFERWOOD

FAN MODEL	F	G	H
NCF36WW	44 7/8	11 7/8	17
NCFB48WW	56 7/8	15 3/4	23
NCF52WW			23 5/8

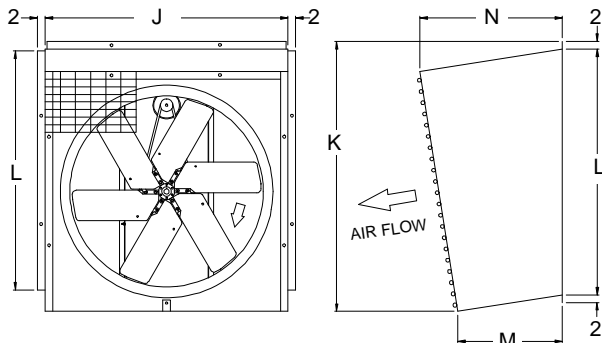


FRONT VIEW

SIDE VIEW

TYPE NCF FANS in SWH (SLOPE) WALL HOUSING

FAN MODEL	J	K	L	M	N
MNCF36	44 3/8	50 5/16	44 13/16	21 7/8	28 3/4
MNCFB48 MNCF52	56 3/8	62 3/8	57	21 3/16	30

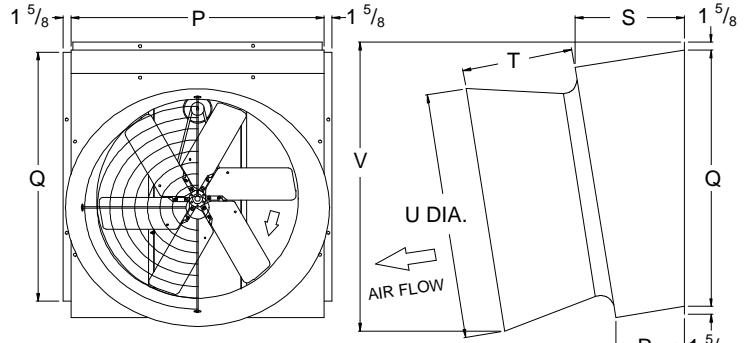


FRONT VIEW

SIDE VIEW

TYPE NCF FANS in SWHC (SLOPE) WALL COLLAR WITH CONE

FAN MODEL	P	Q	R	S	T	U	V
MNCF36	44 3/8	44 13/16	19 3/8	26 5/16	24 1/2	43 5/8	54 1/2
MNCFB48 MNCF52	56 3/8	57	16 5/16	25 1/8	32 3/8	59 3/4	68
					35	64 3/4	70 13/16



FRONT VIEW

SIDE VIEW

Rough Opening:

Add 1/2" To 'J' or 'P' for Width
For 2" Wall: Add 3/4" To 'L' or 'Q' for Height

For 4" Wall: Add 1 1/4" To 'L' or 'Q' For Height
For 6" Wall: Add 1 1/2" To 'L' or 'Q' For Height

WARNING



CAUTION
DO NOT INSTALL FAN WITH MOVING PARTS WITHIN 8 FEET OF FLOOR OR GRADE LEVEL WITHOUT A GUARD THAT COMPLIES WITH OSHA REGULATIONS. DO NOT USE UNLESS ELECTRICAL WIRING COMPLIES WITH ALL APPLICABLE CODES. DO NOT WIRE WITHOUT PROVIDING FOR A POWER SOURCE DISCONNECT AT THE FAN ITSELF. DO NOT SERVICE EXCEPT BY A QUALIFIED MAINTENANCE TECHNICIAN AND ONLY AFTER DISCONNECTING THE POWER SOURCE. FAILURE TO OBSERVE THESE PRECAUTIONS CAN RESULT IN SERIOUS INJURY OR DEATH.

Limited Warranty

In the sale of its products American Coolair Corporation agrees to correct by repairs or replacement any defects in workmanship or material which may develop under proper or normal use during the period of one year from date of shipment from factory. Any product or part proving upon American Coolair's examination to be defective during limited warranty period will be replaced or repaired, at American Coolair's option, f.o.b. factory, without charge. Deterioration or wear caused by chemicals, abrasive action or excessive heat shall not constitute defects. Motors are guaranteed only to the extent of the manufacturer's warranty. American Coolair's limited warranty does not apply to any of its products or parts that have been subject to accidental damage, misuse by the user, unauthorized alterations, improper installation or electrical wiring, or lack of proper lubrication or other service requirements established by American Coolair. Repairs or replacements provided under the above terms shall constitute fulfillment of all American Coolair's obligations with respect to limited warranty. THE LIMITED WARRANTY STATED HEREIN IS IN LIEU OF ALL OTHER WARRANTIES, EXPRESS, STATUTORY OR IMPLIED, INCLUDING WITHOUT LIMITATION THAT OF MERCHANTABILITY AND FITNESS. No liability for reinstallation cost or for any special, indirect or consequential damages of any nature is assumed or shall be imposed upon American Coolair.

