

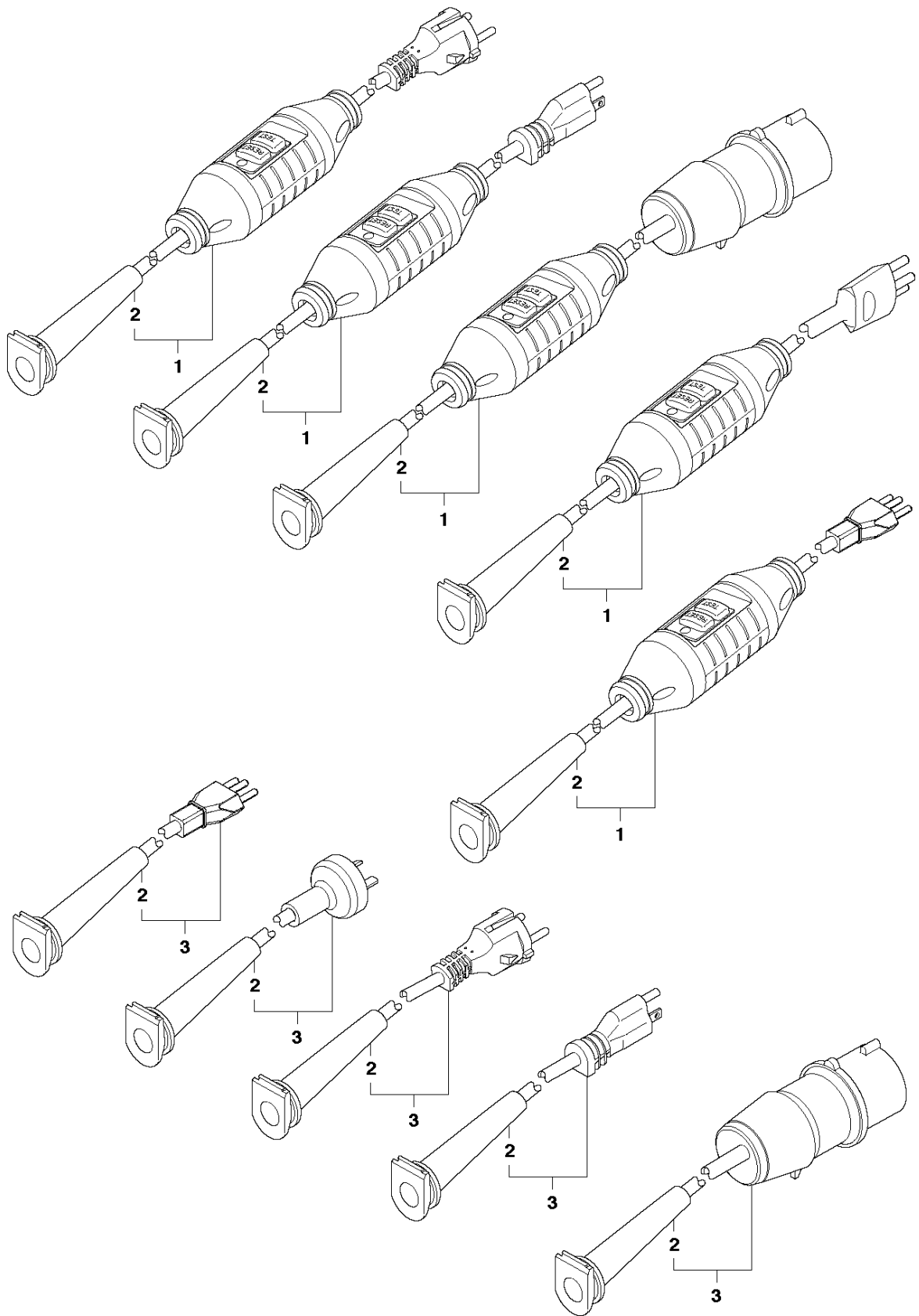


SPARE PARTS LIST

POWER CUTTERS

K3000 WET, 2012-01

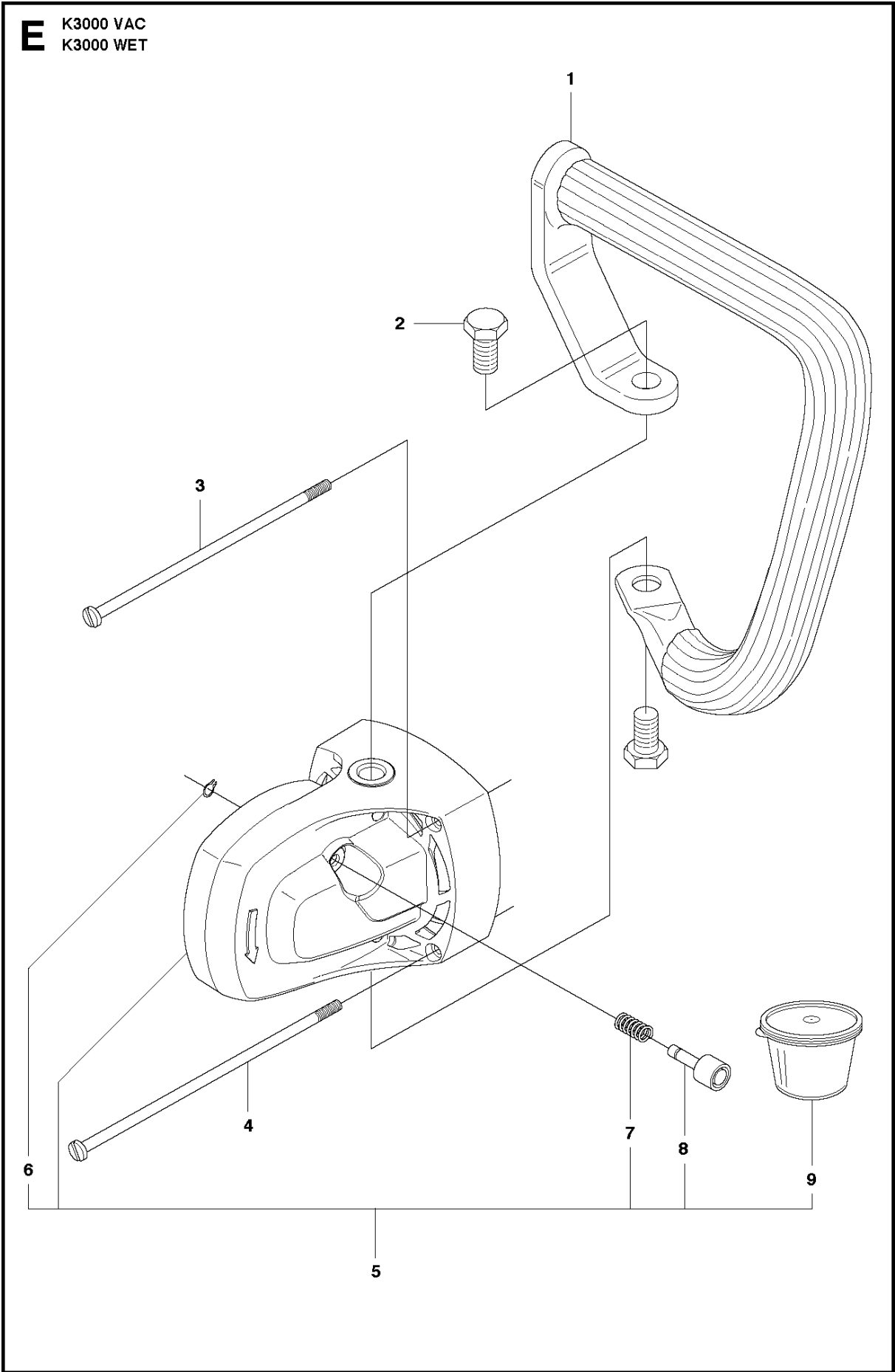
A2 K3000 VAC
K3000 WET



ELECTRICAL

K3000 WET, 2012-01

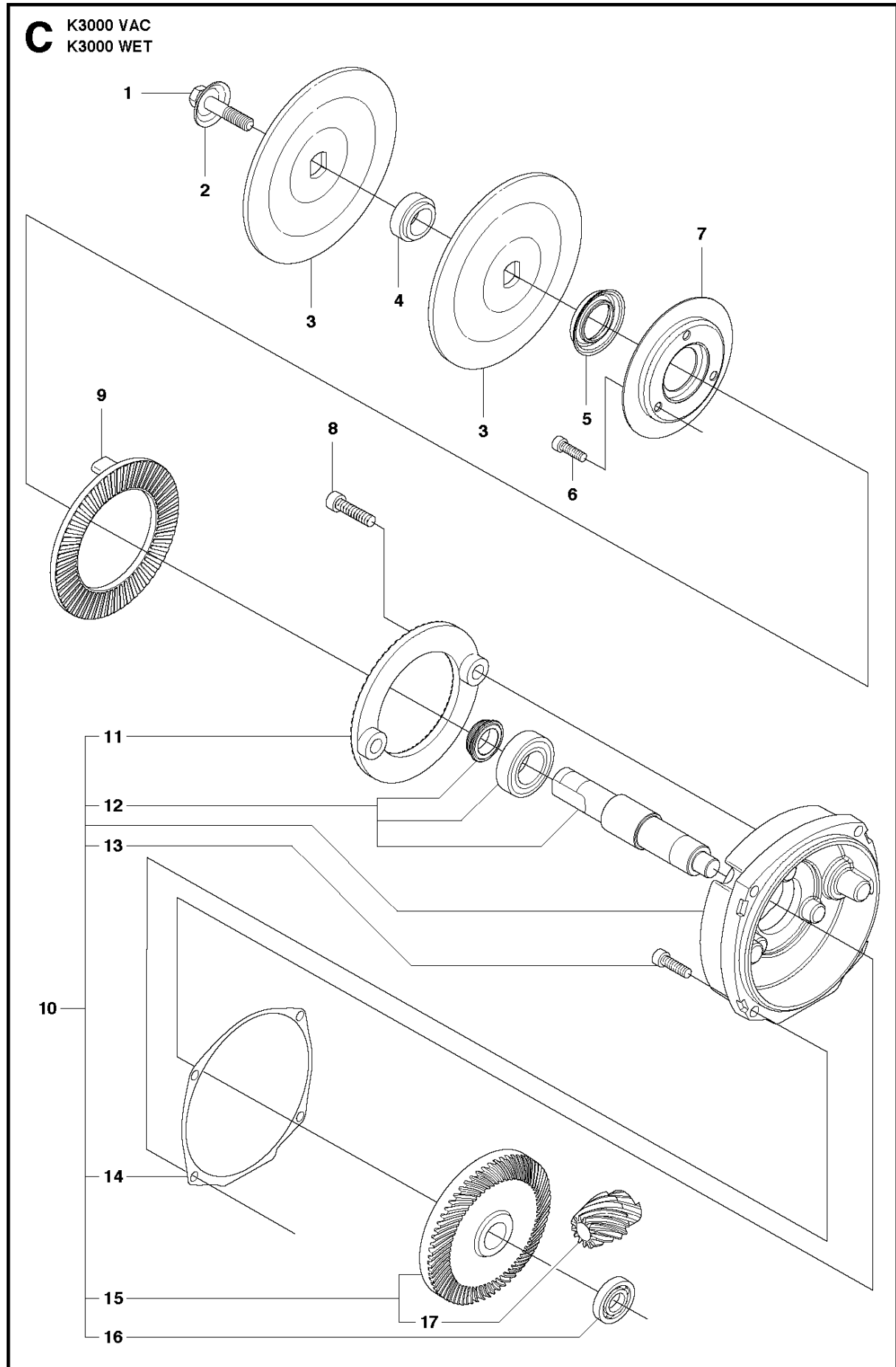
Ref	Part No	Description	Remark	QTY KIT
1	505 44 33-03	CABLE	230V PRCD, incl. 2	1
1	510 18 13-02	CABLE	110V PRCD, JP, US, incl. 2	1
1	521 90 72-03	CABLE	110V PRCD, AU, incl. 2	1
1	521 90 74-03	CABLE	230V PRCD, CH, incl. 2	1
1	585 39 36-08	CABLE		1
3	585 39 36-09	CABLE		1
2	577 41 18-01	CABLE SLEEVE		1
3	505 44 33-04	CABLE	230V, incl. 2	1
3	510 18 13-05	CABLE	110V JP, US, incl. 2	1
3	521 91 90-03	CABLE	110V UK, incl. 2	1
3	521 90 72-05	CABLE	110V AU, incl. 2	1
3	521 90 74-04	CABLE	230V CH, incl. 2	1



GEAR HOUSING

K3000 WET, 2012-01

Ref	Part No	Description	Remark	QTY KIT
1	506 15 03-03	HANDLE		1
2	531 03 12-76	SCREW		2
3	505 53 03-11	SCREW		1
4	531 03 18-94	SCREW		1
5	544 40 34-01	GEAR HOUSING	Incl. 6 - 9	1
6	735 31 08-00	CIRCLIP		1
7	531 03 18-23	SPRING		1
8	544 90 47-01	SHAFT		1
9	574 20 62-02	GREASE		1

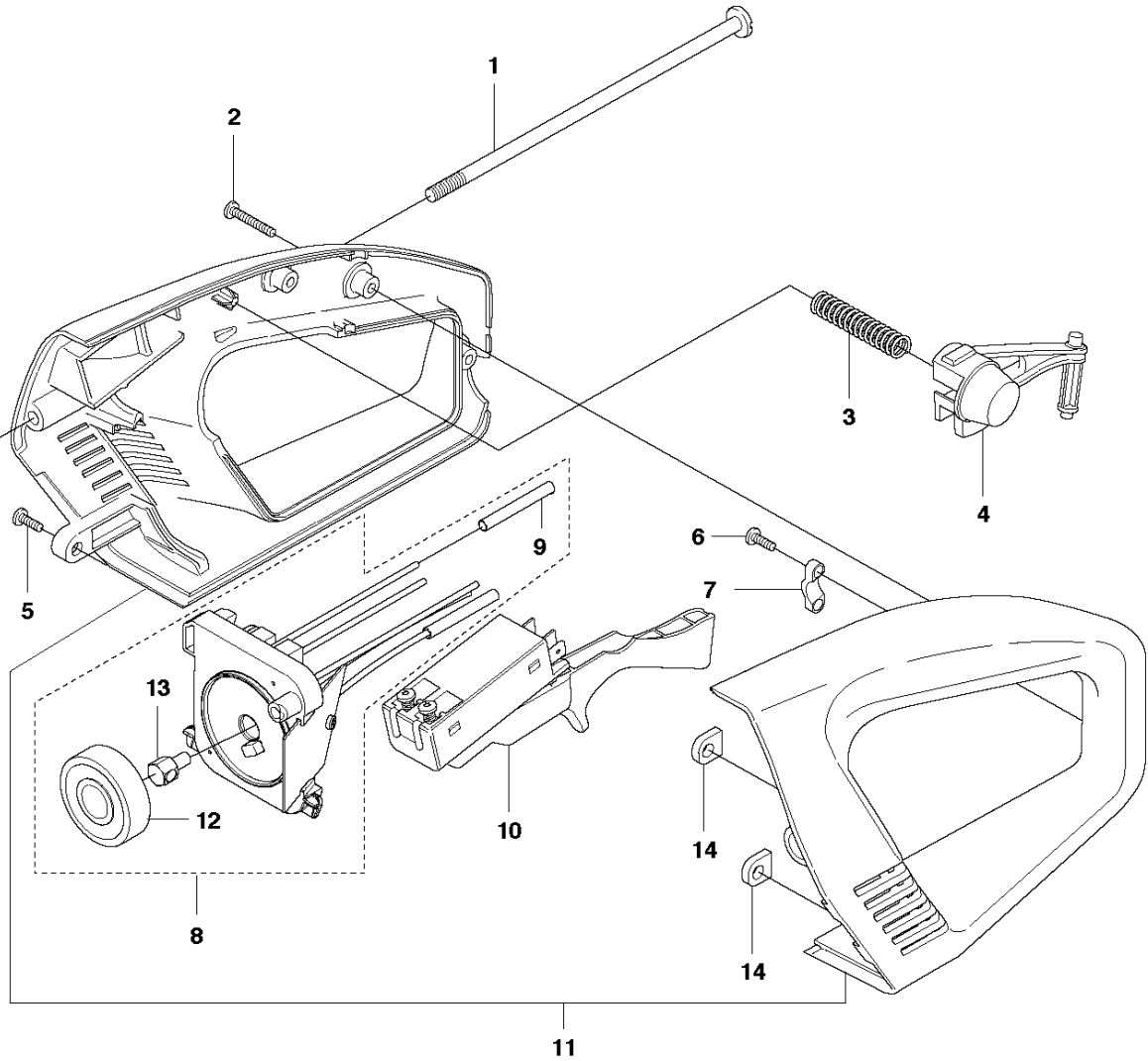


GEARS

K3000 WET, 2012-01

Ref	Part No	Description	Remark	QTY KIT
1	506 13 96-01	SCREW EHHFM		1
2	506 13 95-11	WASHER		1
3	506 02 87-01	FLANGE WASHER		2
4	506 37 96-20	KIT	Diam 20mm	1
4	506 37 96-22	KIT	Diam 22,2mm	1
4	506 37 96-25	KIT	Diam 25,4mm	1
4	506 02 88-30	BUSHING	Diam 30,5mm	1
5	506 32 06-01	SEALING		1
6	505 57 41-16	SCREW ITXSCM		3
7	506 26 65-01	FLANGE		1
8	503 21 53-10	SCREW ITXSCM		2
9	506 26 64-01	SCREEN		1
10	544 40 32-01	GEAR SET	Incl. 11 - 16	1
11	506 28 84-01	SCREEN		1
12	544 40 33-01	SHAFT		1
13	505 57 41-20	SCREW ITXSCM		4
14	523 05 62-01	GASKET		1
15	531 03 18-75	GEAR WHEEL	Incl. 17	1
16	738 22 00-15	BALL BEARING		1
17	506 09 86-02	PISTON		1

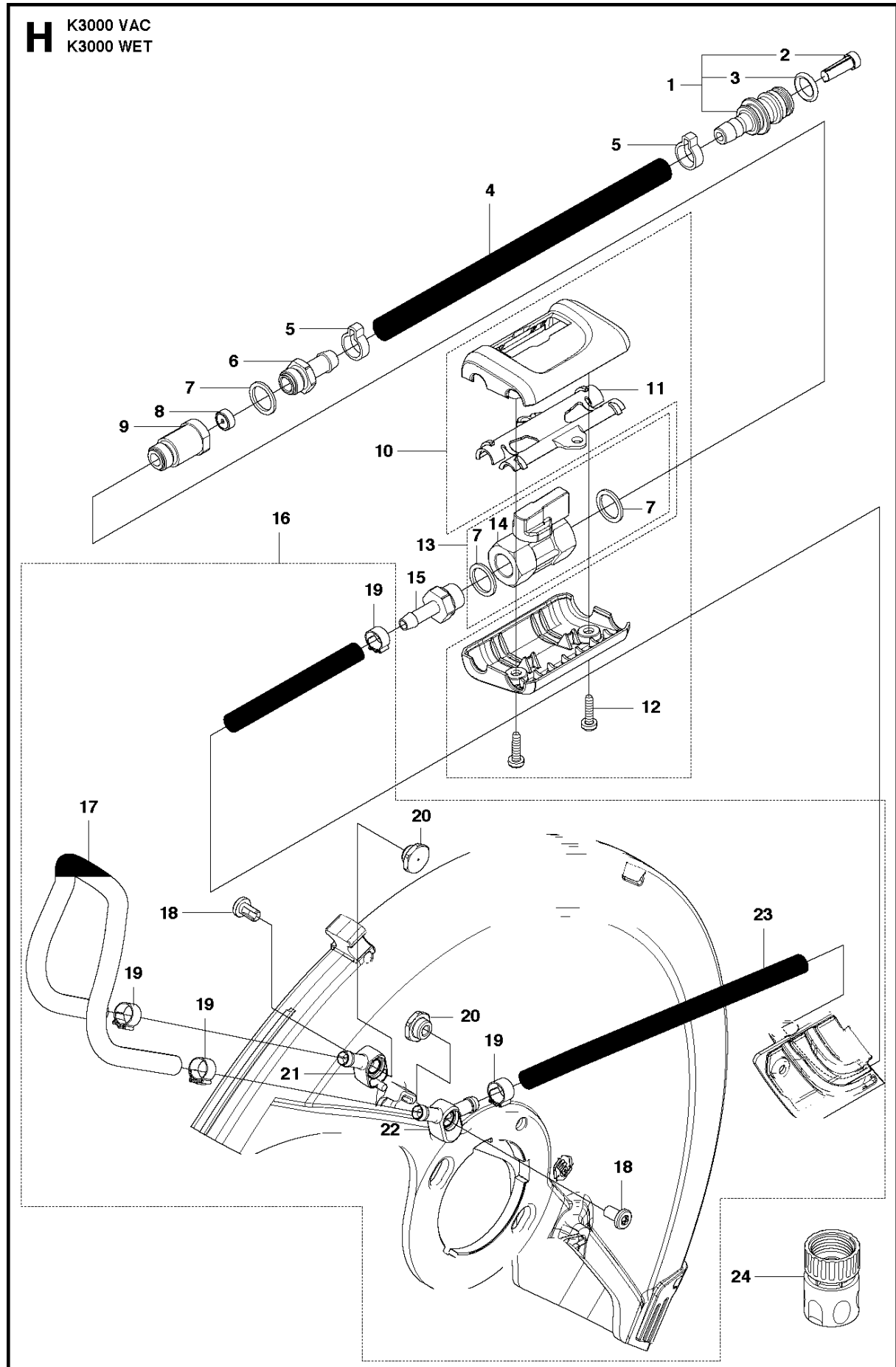
A1 K3000 VAC
K3000 WET



HANDLE

K3000 WET, 2012-01

Ref	Part No	Description	Remark	QTY KIT
1	505 53 03-11	SCREW		1
2	531 03 19-02	SCREW		3
3	577 48 19-01	SPRING		1
4	544 90 06-01	LOCKING BUTTON		1
5	729 53 27-71	SCREW CRPANT		1
6	729 57 78-01	SCREW CCRPANT		2
7	531 03 18-87	CLIP		1
8	587 03 22-01	KIT	110V	1
8	587 03 22-02	KIT	230V	1
9	578 03 26-01	SLEEVE	110V	1
9	578 03 24-01	SLEEVE	230V	1
10	531 03 18-83	SWITCH		1
11	544 90 45-02	HANDLE ASSY		1
12	503 25 09-01	BEARING		1
13	579 25 62-01	SCREW		1
14	577 52 52-01	NUT		2

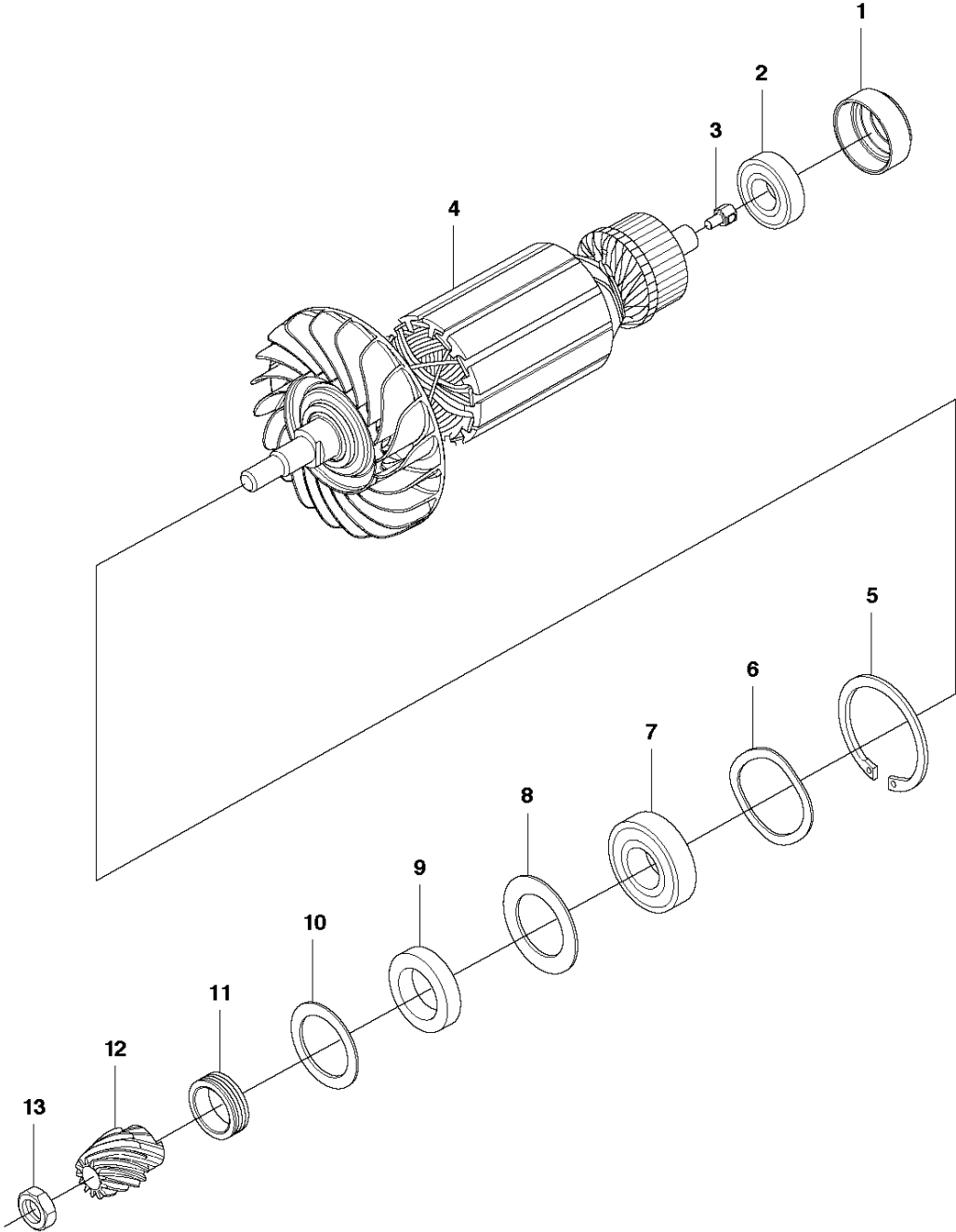


HOSE

K3000 WET, 2012-01

Ref	Part No	Description	Remark	QTY KIT
1	506 29 57-02	NIPPLE	Incl. 2 - 3	1
2	506 29 88-01	FILTER		1
3	505 10 35-01	O-RING		1
4	576 12 97-01	HOSE CLAMP		2
5	506 60 75-01	HOSE		1
6	575 30 32-01	HOSE NIPPLE		1
7	531 07 42-60	WASHER		1
8	506 48 61-01	FLOW CONTROL		1
9	575 30 33-01	NIPPLE		1
10	522 94 51-01	SPARE PARTS KIT	Incl. 11 - 12	1
11	510 18 75-01	INSERT	Not for UK	1
12	504 90 94-10	SCREW ITXSCT		2
13	510 19 59-01	VALVE KIT	Incl. 7, 14	1
14	502 61 70-01	VALVE		1
15	505 35 32-01	NIPPLE		1
16	505 09 54-04	HOSE KIT	Incl. 17 - 23	1
17	506 60 68-04	HOSE	320mm	1
18	504 63 46-01	SCREW ITXSCT		2
19	506 49 87-01	HOSE CLAMP		4
20	576 79 84-01	NIPPLE		2
21	504 63 45-01	HOUSING		1
22	505 11 55-01	HOUSING		1
23	506 60 68-08	HOSE	720mm	1
24	503 26 60-03	COUPLER	USA	1
24	503 26 60-04	COUPLER		1

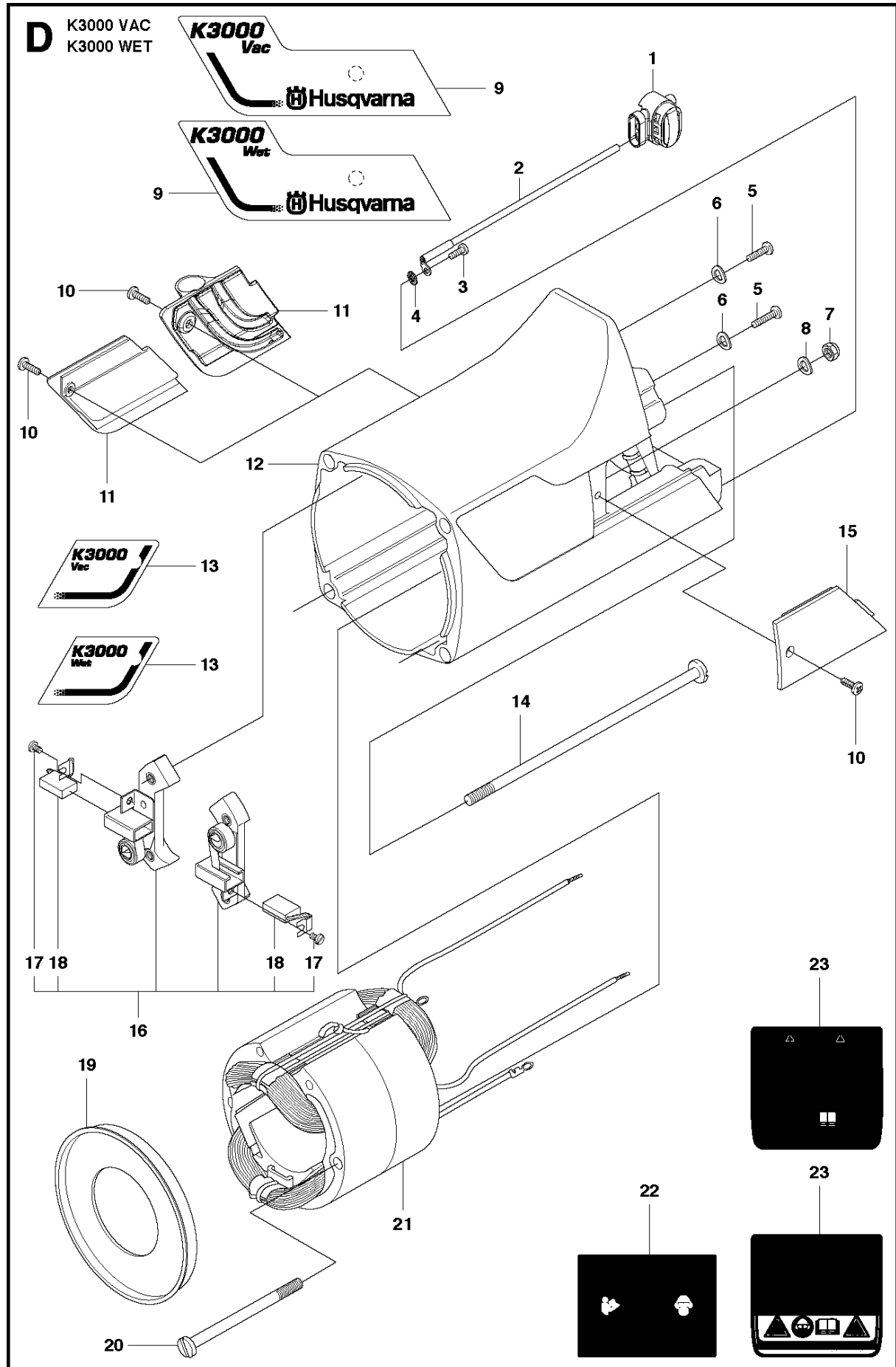
B K3000 VAC
K3000 WET



MOTOR

K3000 WET, 2012-01

Ref	Part No	Description	Remark	QTY KIT
1	577 06 66-01	RUBBER BUSHING		1
2	503 25 09-01	BEARING		1
3	579 25 62-01	SCREW		1
4	575 98 92-01	ROTOR	100 - 120V	1
4	575 98 93-01	ROTOR	230V	1
5	735 31 33-10	CIRCLIP		1
6	505 53 03-51	SPRING WASHER		1
7	531 07 39-44	BALL BEARING		1
8	505 53 03-16	SPACER		1
9	505 53 03-41	FELT		1
10	505 53 03-52	SPACER		1
11	505 53 03-19	SPACER		1
12	506 09 86-02	PISTON		1
13	523 12 24-02	NUT		1

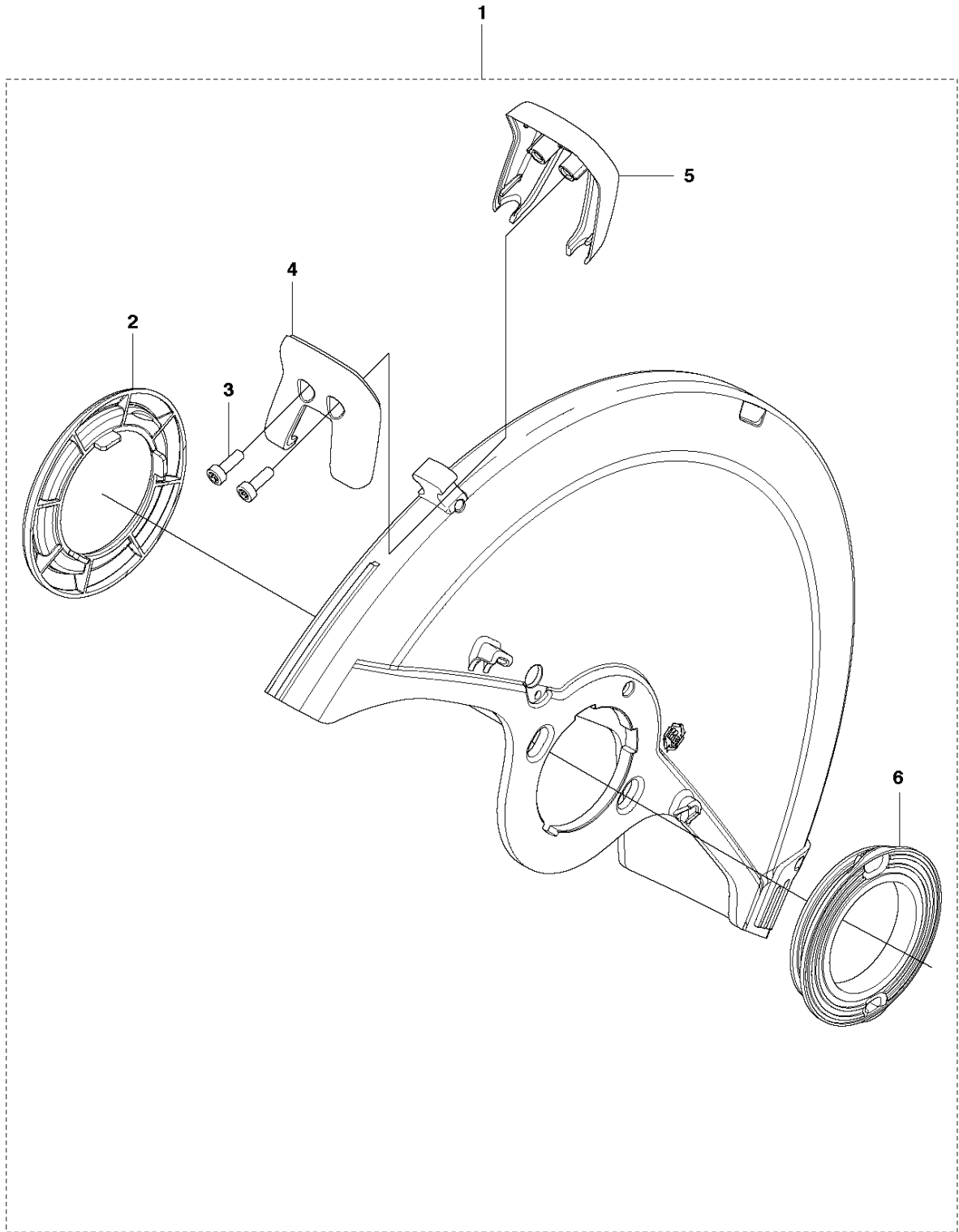


MOTOR HOUSING

K3000 WET, 2012-01

Ref	Part No	Description	Remark	QTY KIT
1	501 98 02-01	COUPLER		1
2	577 38 40-01	CABLE ASSY		1
3	724 12 22-01	SCREW CRPANM		1
4	735 21 24-01	LOCK WASHER		1
5	724 12 91-01	SCREW CRPANM		3
5	724 12 97-01	SCREW CRPANM		1
6	735 11 36-50	SPRING WASHER		3
7	732 21 14-01	LOCK NUT		2
8	735 11 46-50	SPRING WASHER		1
9	544 90 33-06	LABEL	Vac	1
9	544 90 33-05	LABEL	Wet	1
10	729 53 27-71	SCREW CRPANT		1
11	544 90 02-01	LID	Vac	1
11	505 12 24-01	LID	Wet	1
12	577 67 01-01	MOTOR HOUSING		1
13	544 90 33-07	LABEL	Vac	1
13	544 90 33-05	LABEL	Wet	1
14	505 53 03-11	SCREW		1
15	544 89 94-01	LID		1
16	531 03 18-92	BRUSH HOLDER	Incl. 17 - 18	1
17	724 12 87-01	SCREW CRPANM		2
18	506 22 58-02	CARBON BRUSH		2
19	505 53 03-07	AIR STREAM DIRECTOR		1
20	506 22 53-01	SCREW		2
21	506 22 51-10	STATOR ASSY	100 - 120V	1
21	506 22 51-20	STATOR ASSY	230V	1
22	544 98 40-01	LABEL		1
23	506 38 44-15	LABEL	JP	1
23	506 38 43-14	LABEL	USA, UK	1

F K3000 VAC
K3000 WET



WHEELS & TIRES

K3000 WET, 2012-01

Ref	Part No	Description	Remark	QTY KIT
1	577 71 69-01	WHEEL GUARD	Incl. 2 - 6	1
2	576 78 61-01	ADAPTER		1
3	504 90 94-14	SCREW ITXSCT		2
4	576 79 77-01	HANDLE HALF		1
5	576 79 76-01	HANDLE HALF		1
6	506 26 63-02	LINING		1