



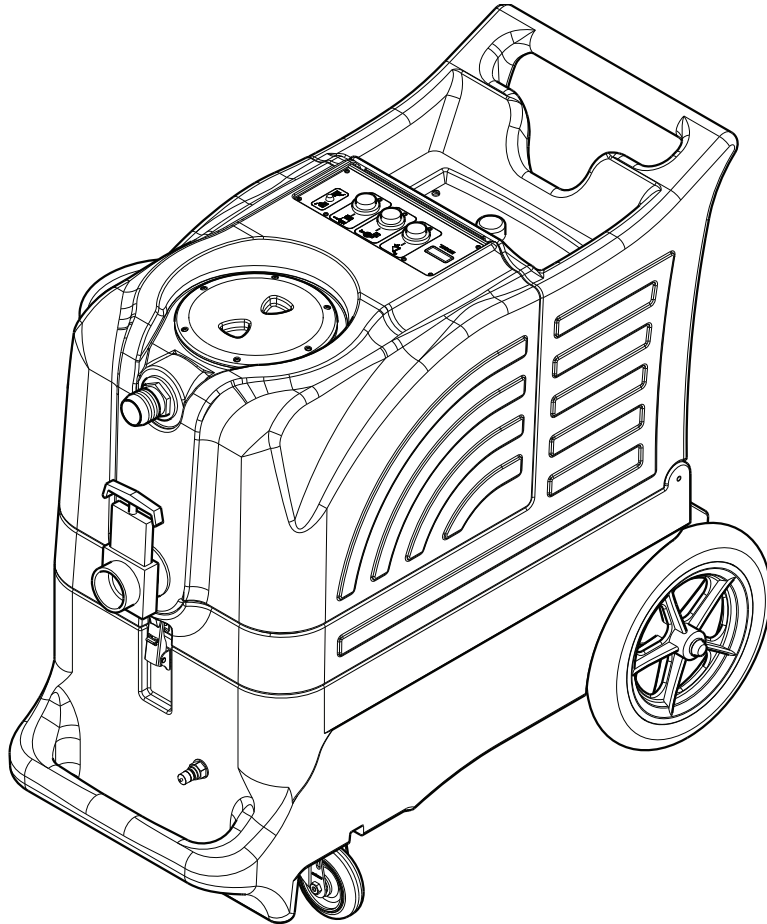
Click Here To View
Item at

www.GapPower.com

*Sales • Rentals
Parts & Service*

Clarke®

BEXT Pro EXTRACTOR



Parts List

Models: 56105310 (400H), 56105309, 56105284 (100H), 56105308 (100)

TABLE OF CONTENTS

DESCRIPTION	PAGE
Base System - 400H.....	2-3
Base System - 100H.....	4-5
Base System - 100	6-7
Recovery System.....	8-9
Solution System.....	10-11
Ladder Diagram.....	12-13
Decal System.....	14
Options & Accessories.....	15

WHEN ORDERING PARTS

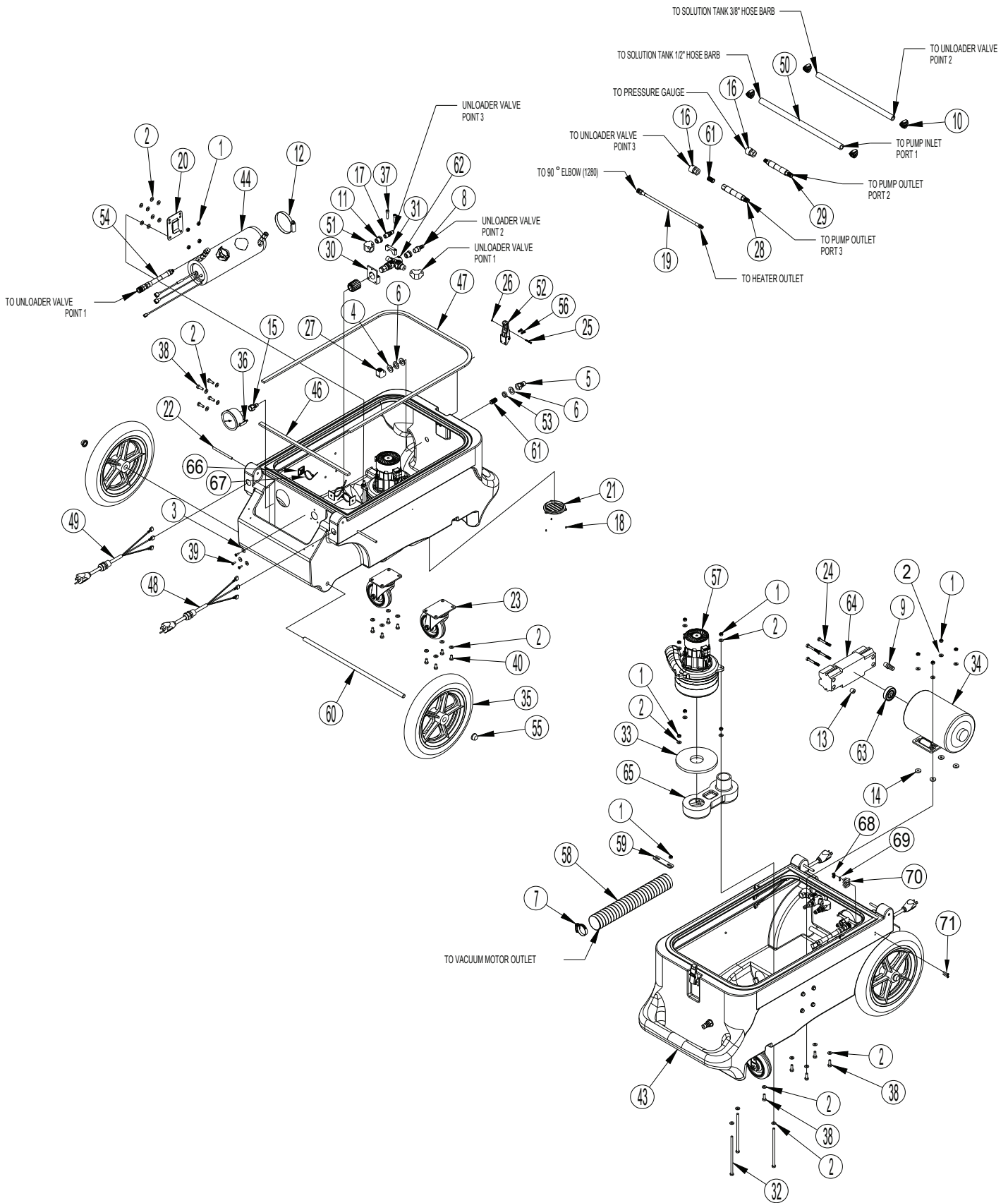
- * Use the part numbers from the "Ref. No." columns in this parts list. If the "Ref. No." column is blank; look under the "Kit" column to identify which kit contains the part in question, then use the kit callout, for example "K1", to find the "Ref. No." for that kit.

Kit	Item	Ref. No.	Qty	Description
K1	1		16	Washer Flat 3/16 Zinc Plat
K1	2		2	Screw-BHS-Brass-10-32x3/8-MS
K1	3		3	Washer EPDM 7/32 X 1/8
	4	805	1	Chain-Cover
	5	905	2	Caster Swivel 4 Gray Non MA
K1	6		2	Nut, Hex Nyl Loc 10-24
K1	7		3	Scr- Hex SS 1/4-20 X .75
K1	8		16	Scr, Hex Hd Loc 1/4-20 x .50
K1	9		3	Wsh, Flt SS .260 X 1.000 X .074
	10	56113012	1	Solution Tank
	11	56113034	2	Hinge Plate
K1		<u>56113103</u>	1	Kit-Hardware Solution Tank

- * Specify the model and serial number of the machine.
- * Use the space below to record the model and serial number for future reference.

Model _____ Serial No. _____

BASE SYSTEM - 400H



BASE SYSTEM - 400H

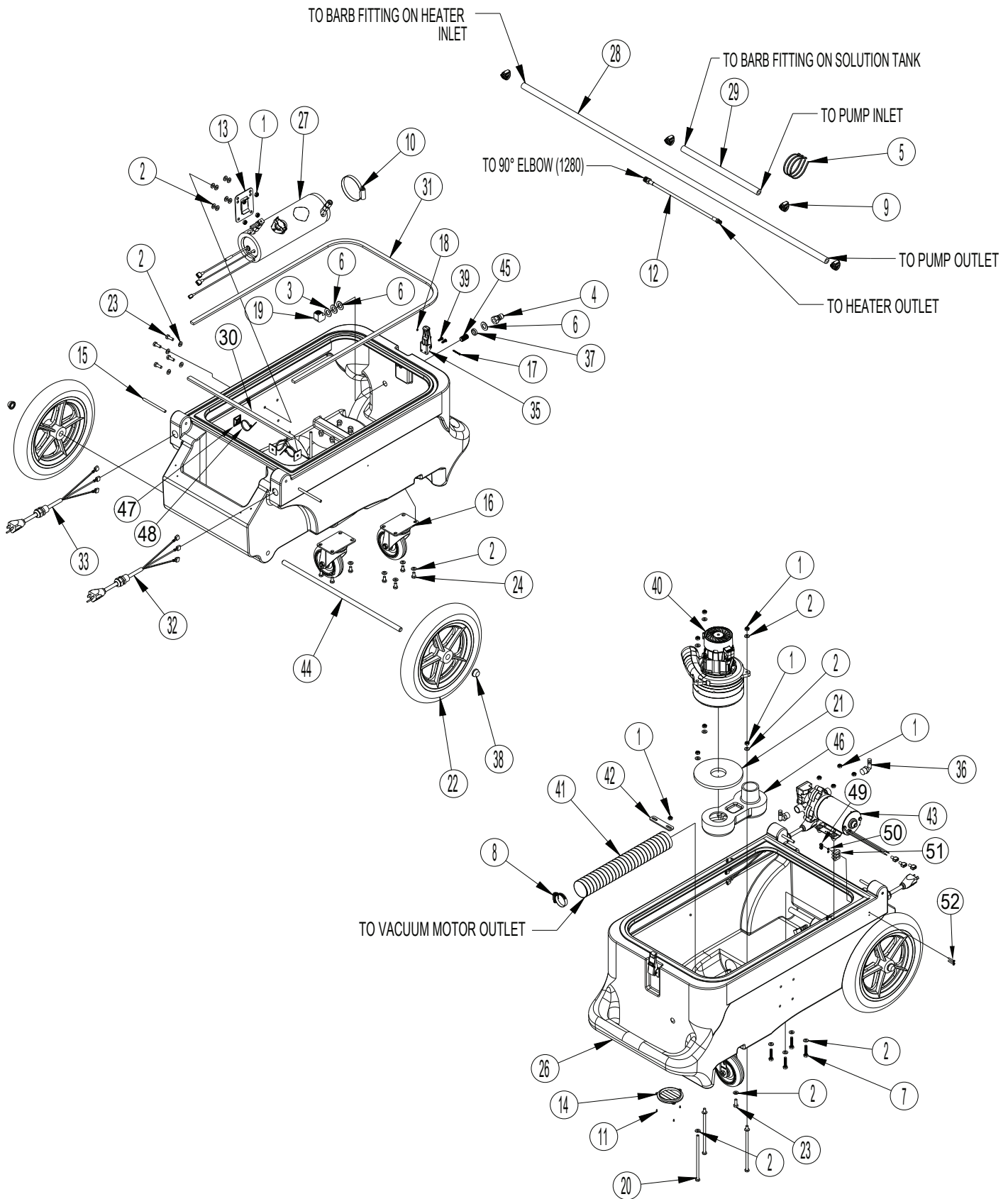
Kit	Item	Ref. No.	Qty	Description	Kit	Item	Ref. No.	Qty	Description
K1	1		15	Nut-Nylock-Zp-1-4-20	K2,K4	[41]		1	Harness-Wire 400psi Pump Mtr
K1	2		38	Washer Flat 3/16 Zinc Plat		[42]	56105348	1	Harness-Main
K1	3		3	Washer-Flat-SS-10		43	56105339	1	Base-400 PSI
K1	4		1	Washer Brass Half Hard 1 X 9/16 X 1/16		44	56105375	1	Heater 1750w 120v (E1)
	5	45USP	1	Quick Disconnect Plug Male		45	56105401	1	Hose 3/8 Id Red
K1	6		3	Washer 1 Od X 9/16 Id X		46	56105407	1	Gasket-Poron 1/4x1/2x16.5
	7	156USP	1	Hose Clamp-Size 28-1-9/16- 2 1/2		47	56105408	1	Gasket-Poron 1/4x1/2x63.5
K5	8		1	Hose Barb With Male 1/4 Pipe X 3/8 Hose Brass		48	56105414	1	Power Cord Pigtail-Yellow
K2,K3	9		1	Hose Barb 1/4 Pipe X 1/2 Hose Brass		49	56105415	1	Power Cord Pigtail-Red
	10	166USP	4	Hose Clamp-SS-3/8-7/8		50	56263561	1	Hose, Spiral .500
K5	11		2	Bushing 3/8 X 1/4 Pipe Brass	K5	51		2	Elbow 90 Degree 3/8 Brass
	12	198USP	1	Hose Clamp 48 3-1/2dia 9		52	56471194	1	Latch Assembly
K2,K3	13		1	Plug Brass Pipe 1/4 Pipe Hex Drive		53	116A	1	Bushing 3/4 X 9/16
K1	14		4	Washer-Flat-1/4x3/4x1/8-60 Dur0		54	1581A	1	26 In-Tube-Blue-Fmjic X Mp
	15	219USP	1	Quick Connect Brass 1/4 Fpt		55	27AUSP	2	Axel Cap Black Pal Nut
	16	220	2	Qd-Brass-1/4 Fpt-Socket Straight	K1	56		2	Bolt-Php-SS-8-32x1/2
K5	17		1	Qd-Plug-Brass-1/4 Mpt-St		57	408G	1	Vacuum Motor, 3-Stage, 5.7 (M2)
K1	18		3	Screw-Fhp-SS-2x1/4-Sms		[]	56113056	1	Vac Motor Brush Kit-120v
	19	313	1	Hose S/S Braided Teflon 1/4		58	430A	1	Vac Hose 2" Id X 13.5 Black Rubber
	20	455USP	1	Mount Heat Exchanger		59	4404C	1	Tank Mate Bar
	21	459USP	1	Louver 2-1/2 Gray Plastic		60	910-1863	1	Rod-Axel-Zinc Plt-1/2-18-63
	22	801	2	Hinge Pin Rod S/S 1/4 X		61	92AUSP	2	Nipple-SS-1/4 Pipe-Length .90
	23	905USP	2	Caster Swivel 4 Gray Non Ma	K5	62		1	Unloader Valve For 500 Psi Pump
K1,K2	24		4	Screw-Shcs-SS-1/4-20x2x1	K2,K3,K4	63		1	Bearing & Cam Assembly .110
K1	25		1	Screw 2-56 X1 Panhead Philip	K2,K3	64		1	Pump Piston Style 300-500 Ps
K1	26		1	Nut. Finish 2-56 Thread Zp		65	MA-6	1	Manifold For Cobra Black
	27	1280	1	Elbow 90 Deg 1/4 Fpt X 1/4 F		66	1312	3	Mounting Pad
	28	1284	1	Hose-19 In-Puls-Damp		67	35	3	Tie 4" Black Weather Resistant
	29	1506	1	Hose Assembly 21 X 1/4 Mpt		68#	16	4	Nut Nylon Lock 6/32 Z.P. NOTE 1
	30	1554	1	Mount-Plate-Valve		69#	56002431	4	Wsh Fit SAE 4 NOTE 1
	31	1555	1	Clamp-Valve-Mount		70#	56183523	2	Terminal Block NOTE 1
K1	32		3	Bolt 1/4 X 20 6l Full Thread		71#	56002857	4	Scr Pan Phil 6-32 X .88 NOTE 1
	33	2013	1	Gasket 1 Side Adhesive 5-1/2 O		[]	2154	2	Power Cord 12/3 SJTW 25 Y
K2,K4	34		1	Motor A/C 1/3 Hp For 300 Psi P (M1)		[]	SUBSYP1	1	Syphon Hose For HHP-12
	35	2092	2	Wheel 12"X1" Black On Gray 1/2" Axle					
	36	2165	1	Gage-Pressure					
K1	37		2	Scr, Soc Hd 1/4-20 X 1.00	K1	56105216		1	Hardware Kit-Base
K1	38		9	Scr- Hex SS 1/4-20 X .75	K2	56105218		1	Kit-Pump Complete 400PSI
K1	39		3	Scr, Pan Phil SS 8-32 X .50	K3	56105219		1	Kit-Pump Head 400PSI
K1	40		8	Scr, Hex Hd Loc 1/4-20x.50	K4	56105220		1	Kit-Pump Motor 400PSI
					K5	56105221		1	Kit-Unloader Valve 400PSI
					[]	FP256		1	Repair Kit Heat Bi-Metallic

[] = Not Shown

= Revised or new since last update

NOTE 1: Only used after April serial number 4000070525.

BASE SYSTEM - 100H



BASE SYSTEM - 100H

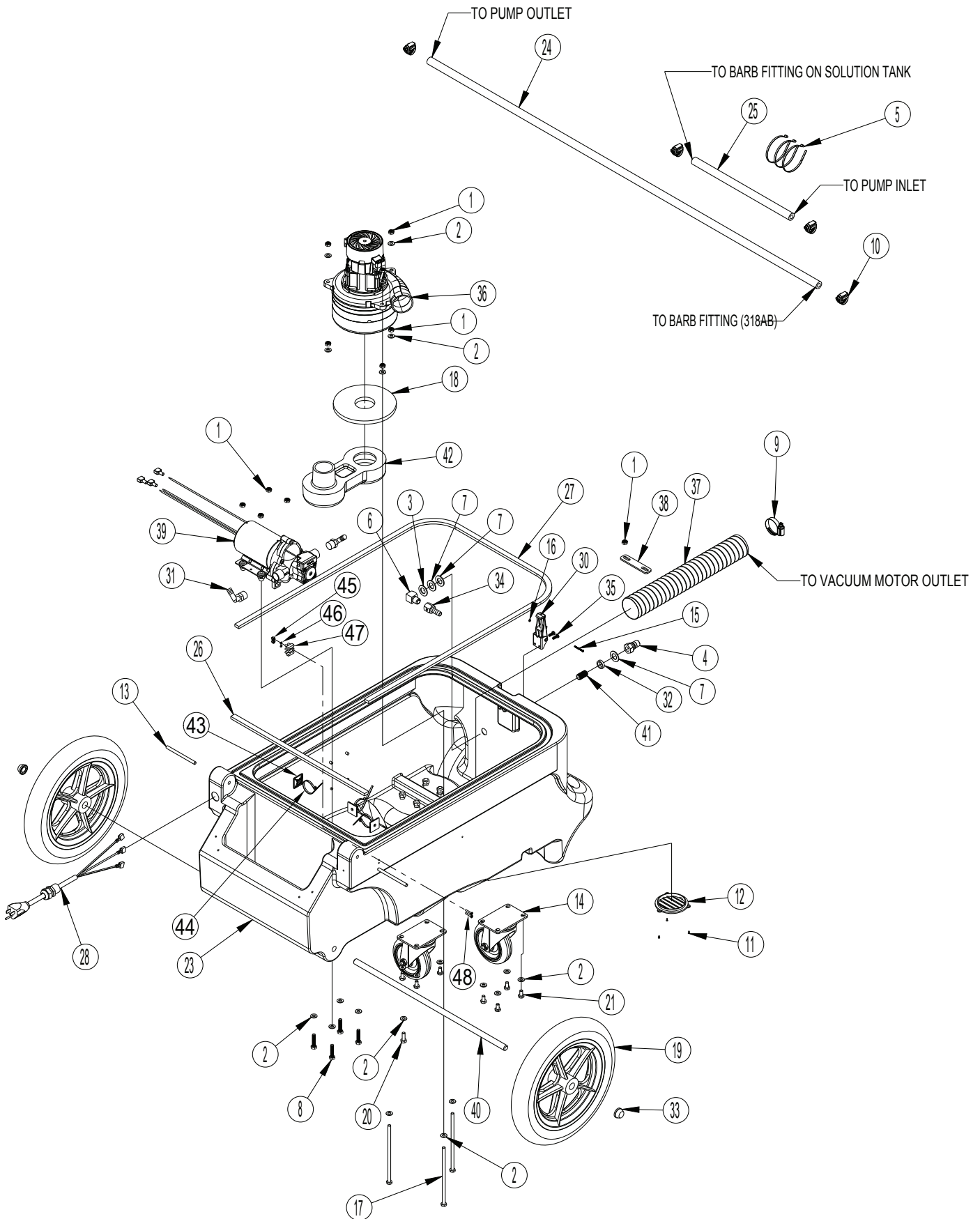
Kit	Item	Ref. No.	Qty	Description
K1	1		15	Nut-Nylock-Zp-1-4-20
K1	2		34	Washer Flat 3/16 Zinc Plat
K1	3		1	Washer Brass Half Hard 1 X 9/16 X 1/16
	4	45USP	1	Quick Disconnect Plug Male
	5	79	3	Tie, 8" Black
K1	6		3	Washer 1 Od X 9/16 Id X
K1	7		4	Bolt-Hex-SS-Zinc Plate-1/4-20x1-1/4
	8	156USP	1	Hose Clamp-Size 28-1-9/16- 2 1/2
	9	166USP	4	Hose Clamp-SS-3/8-7/8
	10	198USP	1	Hose Clamp 48 3-1/2dia 9
K1	11		3	Screw-Fhp-SS-2x1/4-Sms
	12	313	1	Hose S/S Braided Teflon 1/4
	13	455USP	1	Mount Heat Exchanger
	14	459USP	1	Louver 2-1/2 Gray Plastic
	15	801	2	Hinge Pin Rod S/S 1/4 X
	16	905USP	2	Caster Swivel 4 Gray Non Ma
K1	17		1	Screw 2-56 X1 Panhead Philip
K1	18		1	Nut. Finish 2-56 Thread Zp
	19	1280	1	Elbow 90 Deg 1/4 Fpt X 1/4 F
K1	20		3	Bolt 1/4 X 20 6l Full Threa
	21	2013	1	Gasket 1 Side Adhesive 5-1/2 O
	22	2092	2	Wheel 12"X1" Black On Gray 1/2" Axle
K1	23		5	Scr- Hex SS 1/4-20 X .75
K1	24		8	Scr, Hex Hd Loc 1/4-20x.50
	[25]	56105348	1	Harness-Main
	26	56105336	1	Base-100 PSI
	27	56105372	1	Heater 1750w 120v
	28	56105398	1	Hose 3/8 Id Red
	29	56105399	1	Hose 3/8 Id Red
	30	56105407	1	Gasket-Poron 1/4x1/2x16.5
	31	56105408	1	Gasket-Poron 1/4x1/2x63.5
	32	56105414	1	Power Cord Pigtail-Yellow
	33	56105415	1	Power Cord Pigtail-Red
K2	34		3	Term .250 Ins Tab
	35	56471194	1	Latch Assembly
K2	36		2	Hose Barb Nylon 90 3/8 X 3/8
	37	116A	1	Bushing 3/4 X 9/16
	38	27AUSP	2	Axel Cap Black Pal Nut
K1	39		2	Bolt-Php-SS-8-32x1/2
	40	408G	1	Vacuum Motor, 3-Stage, 5.7 (M2)
	[]	56113056	1	Vac Motor Brush Kit-120v
	41	430A	1	Vac Hose 2" Id X 13.5 Black Rubber
	42	4404C	1	Tank Mate Bar
K2	43		1	Pump 100 Psi
	44	910-1863	1	Rod-Axel-Zinc Plt-1/2-18-63
	45	92AUSP	1	Nipple-SS-1/4 Pipe-Length .90
	46	MA-6	1	Manifold For Cobra Black
	47	1312	3	Mounting Pad
	48	35	3	Tie 4" Black Weather Resistant
	49#	16	4	Nut Nylon Lock 6/32 Z.P. NOTE 1
	50#	56002431	4	Wsh Flt SAE 4 NOTE 1
	51#	56183523	2	Terminal Block NOTE 1
	52#	56002857	4	Scr Pan Phil 6-32 X .88 NOTE 1
	[]	2154	2	Power Cord 12/3 SJTW 25 Y
	[]	SUBSYP1	1	Syphon Hose For HHP-12
	K1	56105216	1	Hardware Kit-Base
	K2	56105217	1	Kit-Pump Complete 100PSI
	[]	FP256	1	Repair Kit Heat Bi-Metallic

[] = Not Shown

= Revised or new since last update

NOTE 1: Only used after April serial number 4000070525.

BASE SYSTEM - 100



BASE SYSTEM - 100

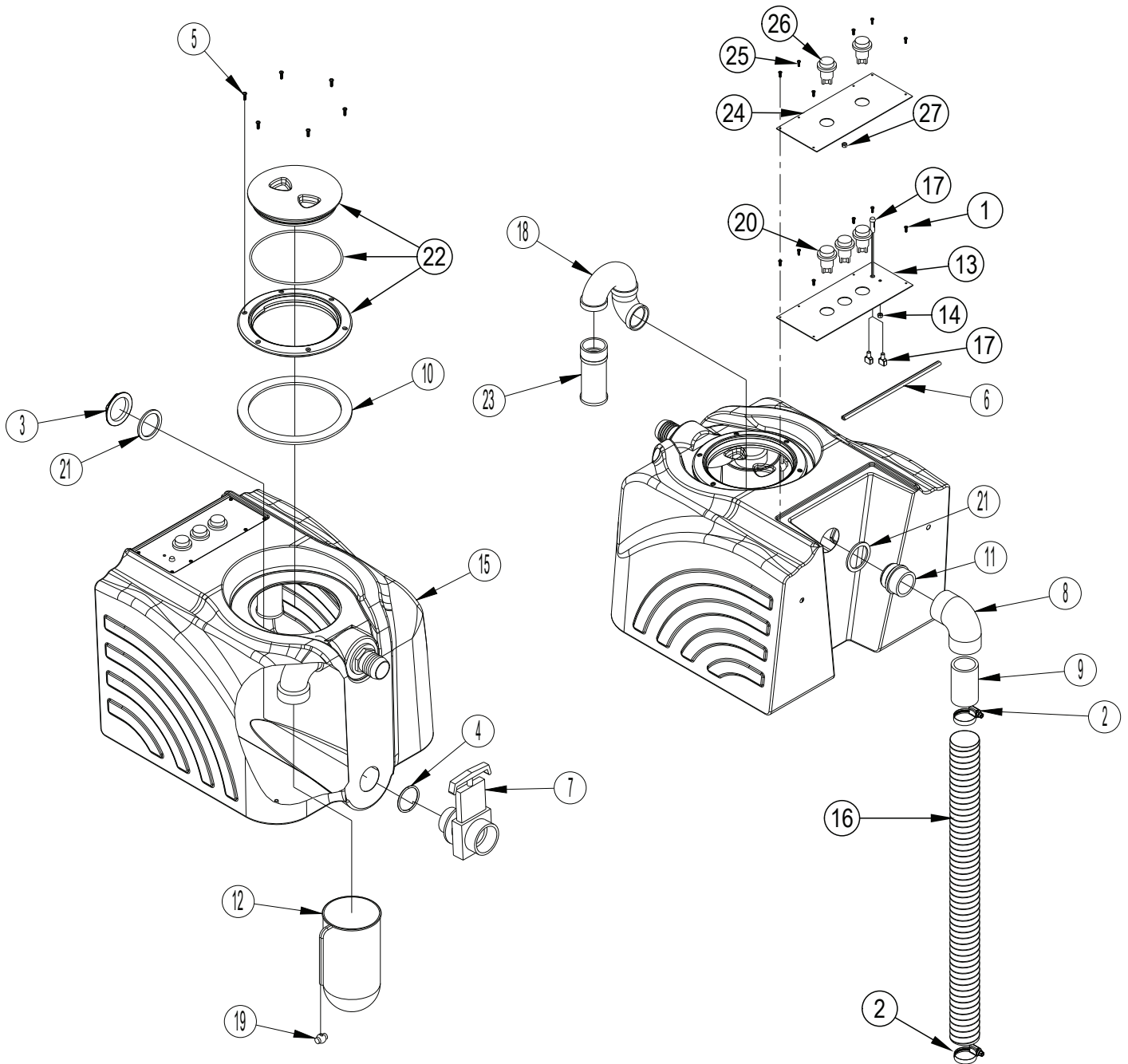
Kit	Item	Ref. No.	Qty	Description
K1	1		11	Nut-Nylock-Zp-1-4-20
K1	2		22	Washer Flat 3/16 Zinc Plat
K1	3		1	Washer Brass Half Hard 1 X 9/16 X 1/16
	4	45USP	1	Quick Disconnect Plug Male
	5	79	3	Tie, 8" Black
	6	91USP	1	Elbow 90 Deg Angle 1/4 Male
K1	7		3	Washer 1 Od X 9/16 Id X
K1	8		4	Bolt-Hex-SS-Zinc Plate-1/4-20x1-1/4
	9	156USP	1	Hose Clamp-Size 28-1-9/16- 2 1/2
	10	166USP	4	Hose Clamp-SS-3/8-7/8
K1	11		3	Screw-Fhp-SS-2x1/4-Sms
	12	459USP	1	Louver 2-1/2 Gray Plastic
	13	801	2	Hinge Pin Rod S/S 1/4 X
	14	905USP	2	Caster Swivel 4 Gray Non Ma
K1	15		1	Screw 2-56 X1 Panhead Philip
K1	16		1	Nut. Finish 2-56 Thread Zp
K1	17		3	Bolt 1/4 X 20 6l Full Threa
	18	2013	1	Gasket 1 Side Adhesive 5-1/2 O
	19	2092	2	Wheel 12"X1" Black On Gray 1/2" Axle
K1	20		1	Scr- Hex SS 1/4-20 X .75
K1	21		8	Scr, Hex Hd Loc 1/4-20x.50
	[22]	56105348	1	Harness-Main
	23	56105337	1	Base-100 PSI No Heat
	24	56105398	1	Hose 3/8 Id Red
	25	56105399	1	Hose 3/8 Id Red
	26	56105407	1	Gasket-Poron 1/4x1/2x16.5
	27	56105408	1	Gasket-Poron 1/4x1/2x63.5
	28	56105414	1	Power Cord Pigtail-Yellow
K2	29		3	Term .250 Ins Tab
	30	56471194	1	Latch Assembly
K2	31		2	Hose Barb Nylon 90 3/8 X 3/8
	32	116A	1	Bushing 3/4 X 9/16
	33	27AUSP	2	Axel Cap Black Pal Nut
	34	318AB	1	Hose Barb Solution Tank Standard
K1	35		2	Bolt-Php-SS-8-32x1/2
	36	408G	1	Vacuum Motor, 3-Stage, 5.7 (M2)
	[]	56113056	1	Vac Motor Brush Kit-120v
	37	430A	1	Vac Hose 2" Id X 13.5 Black Rubber
	38	4404C	1	Tank Mate Bar
K2	39		1	Pump 100 PSI
	40	910-1863	1	Rod-Axel-Zinc Plt-1/2-18-63
	41	92AUSP	1	Nipple-SS-1/4 Pipe-Length .90
	42	MA-6	1	Manifold For Cobra Black
	43	1312	3	Mounting Pad
	44	35	3	Tie 4" Black Weather Resistant
	45#	16	2	Nut Nylon Lock 6/32 Z.P. NOTE 1
	46#	56002431	2	Wsh Flt SAE 4 NOTE 1
	47#	56183523	1	Terminal Block NOTE 1
	48#	56002857	2	Scr Pan Phil 6-32 X .88 NOTE 1
	[]	2154	1	Power Cord 12/3 SJTW 25 Y
	[]	SUBSYP1	1	Syphon Hose For HHP-12
K1	56105216		1	Hardware Kit-Base
K2	56105217		1	Kit-Pump Complete 100PSI

[] = Not Shown

= Revised or new since last update

NOTE 1: Only used after April serial number 4000070525.

RECOVERY SYSTEM



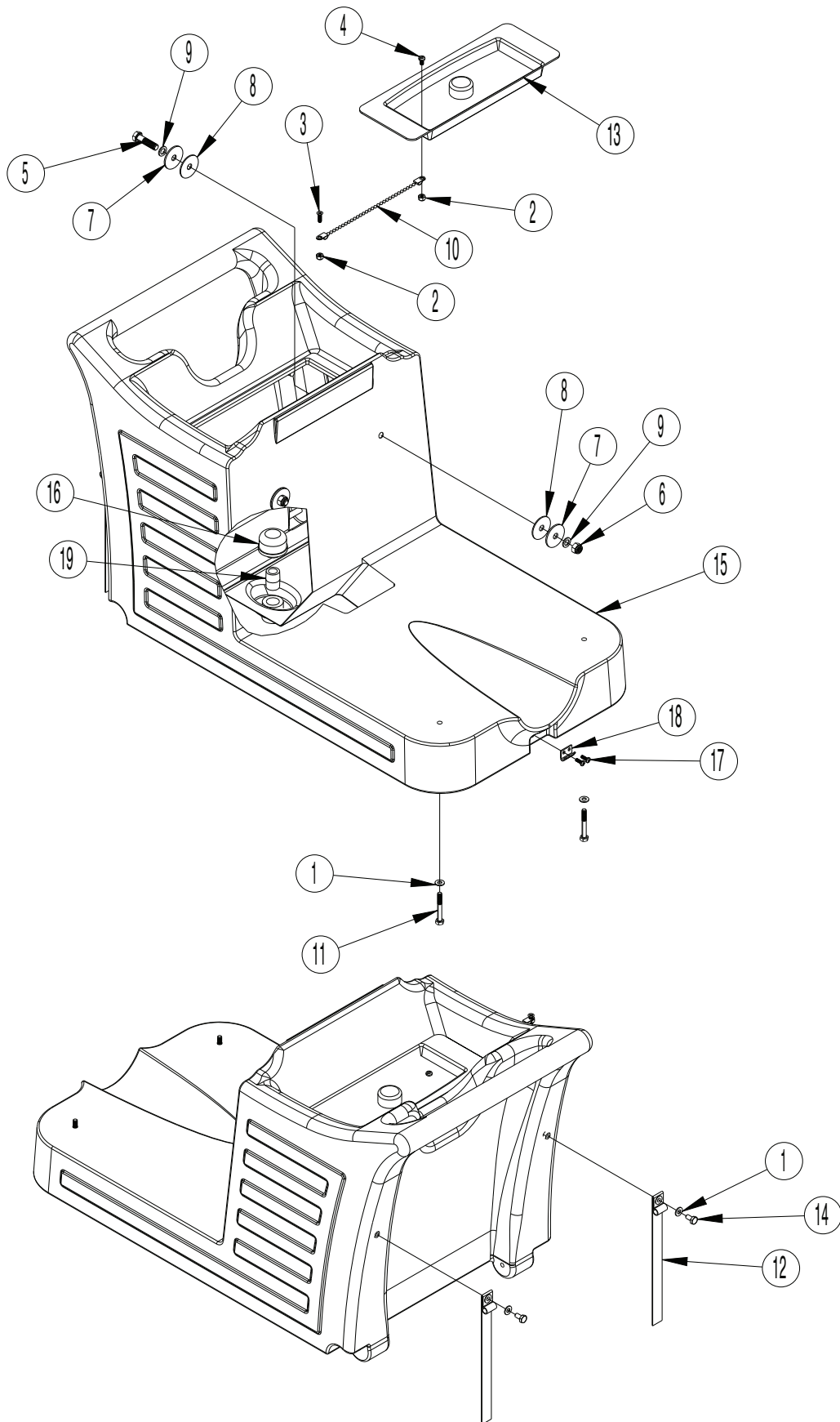
RECOVERY SYSTEM

Kit	Item	Ref. No.	Qty	Description
	1	28	6	Screw-Php-SS-4x3/8-Sms NOTE 1
	2	156USP	2	Hose Clamp-Size 28-1-9/16- 2 1/2
	3	185USP	1	Nut Die Cast Alum 1-1/2 N
	4	187USP	1	O-Ring-Bunan-1-3/4idx.125 Thick
	5	267	6	Screw-Php-SS-6x1/2-Sms
	6	425	9.5"	Gasket 40 Shore-Santoprene
	7	903USP	1	Drain Gate Valve Black 1-1/2
	8	922USP	1	Elbow 90 PVC 1-1/2 Slip X F
	9	935	3"	PVC Pipe 1-1/2 Sch 40
K1	10		1	Gasket-Lid-Xlpe-6.5idx3/16 Thick
K2	11		1	Adapter Abs 1-1/2 Trap SI
	12	2146	1	Filter Bag Solus 800 Micron
	13	2167	1	Switch Plate 3-Hole 9.5 X 4 NOTE 1
	14	56002964	1	Nut Hex Nyl Loc Thin SS 6-32 NOTE 1
	15	56105332	1	Recovery Tank-Blue
	16	56105367	1	Vac Hose-2.0 Id X 25.50 In
	17	56113091	1	Light Green 250V Assy (H2) NOTE 1
K2	18		1	Adapter Abs 1-1/2 P-Trap
	19	1465A	1	Cord Lock For Filter Draw Co
	20	1623R	3	Switch On-Off Illuminated Cle (S1, S2, S3) NOTE 1
	21	187B	2	Washer-Flat-Buna'n-1-3/4idx0.125
K1	22		1	Lid-Clear With Ring
K1		56380968	1	O-Ring For 2086A Lid
	23	929B	1	Filter S/S Ball Float
	24	2167-100C	1	Label Advantage 100 PSI NOTE 2
	25	28	6	Screw-Php-SS-4x3/8-Sms NOTE 2
	26	1623R	2	Switch On-Off Illuminated Cle (S1, S2) NOTE 2
	27	56009008	1	Nut, Hex Machine 6-32 NOTE 2
	K1	56105214	1	Lid Kit-Recovery Tank
	K2	56105226	1	Trap Assy-Ball Float

NOTE 1: 100 and 400 PSI dual cord heated models (56105284, 56105309 and 56105310)

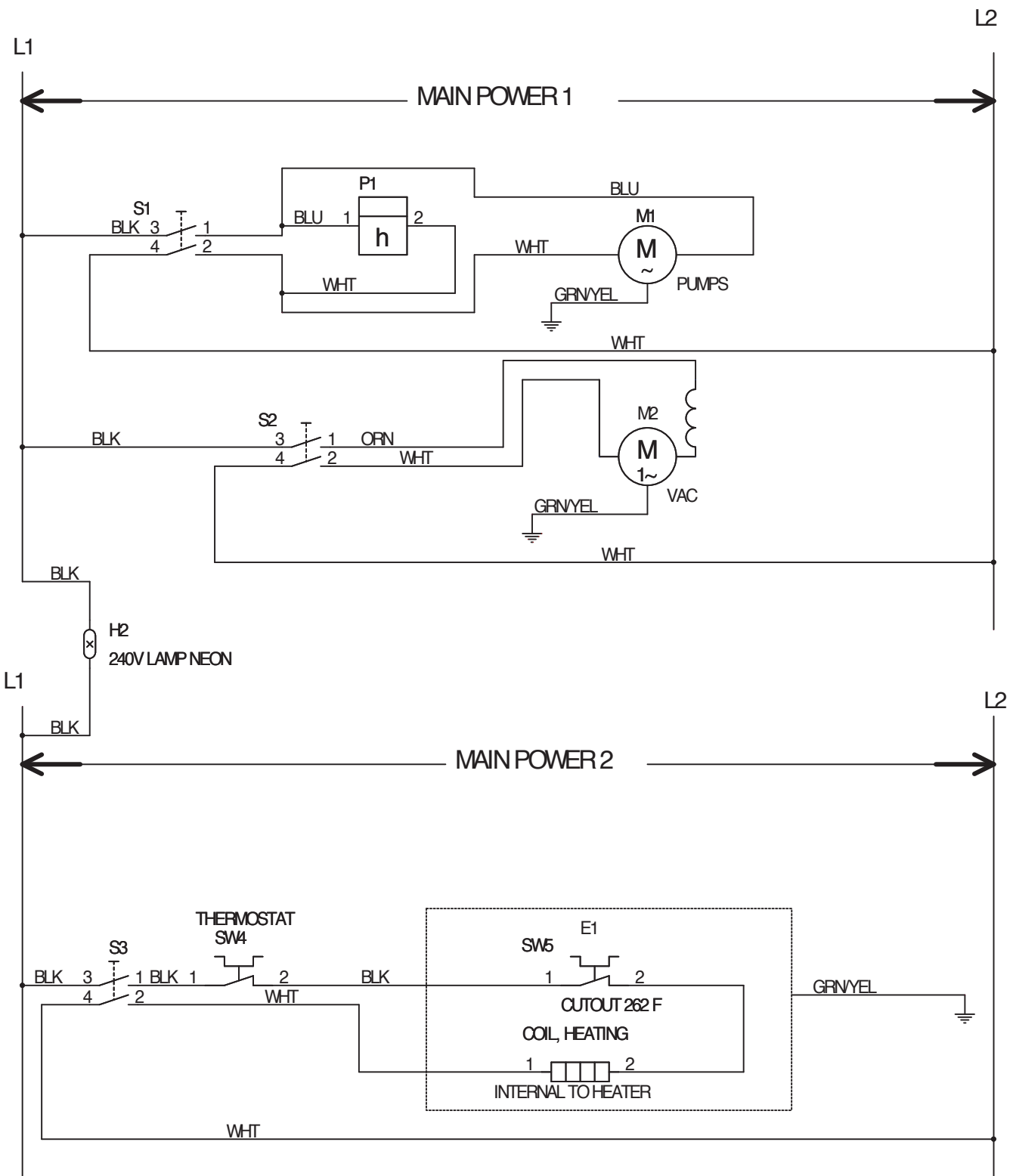
NOTE 2: 100 PSI single cord no heat model (56105308)

SOLUTION SYSTEM



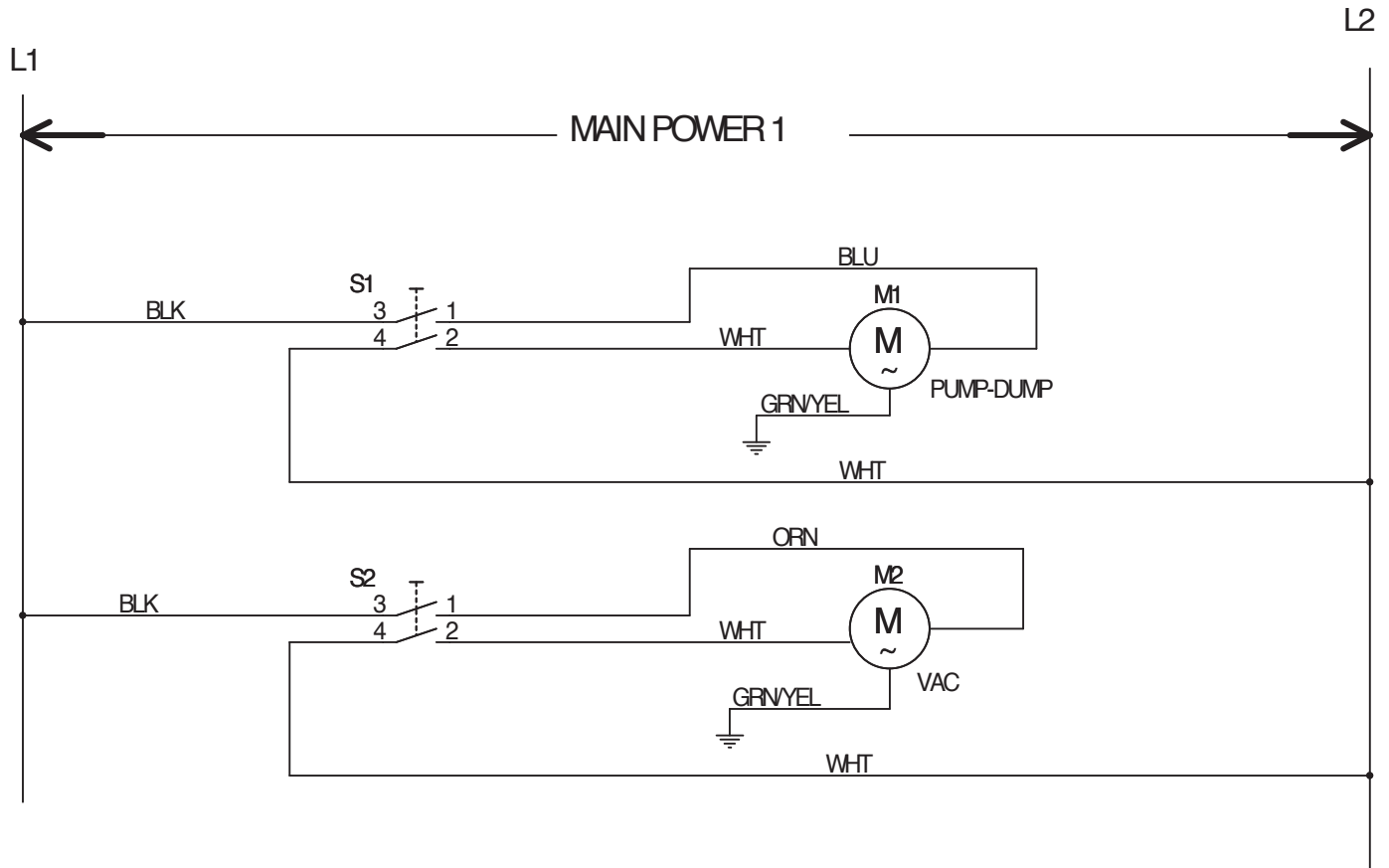
SOLUTION SYSTEM

Kit	Item	Ref. No.	Qty	Description
K1	1		4	Washer Flat 3/16 Zinc Plat
K1	2		2	Nut-Nylon Lock-SS-10-32
K1	3		1	Fhp-10-32 5-8
K1	4		1	Screw-Bhs-Brass-10-32x3/8-1/2
K1	5		2	Bolt-Hex-SS-3/8-16x1-1/2
K1	6		2	Nut-Nylon Lock-SS-3/8-16
K1	7		4	Washer Fender S/S 3/8 X 11/
K1	8		4	Washer Rubber 3/8 Id X 1-1
K1	9		4	Washer Nylon White 3/8 Id
	10	805USP	1	Chain-Cover
K1	11		2	Screw-Shcs-SS-1/4-20x2x1
	12	1603	2	Strap-Buckle/Cord-W/Spur Grommet
	13	2175	1	Lid-MPE-Solution Tank-Vac Formed
K1	14		2	Scr, Hex Hd Loc 1/4-20x.50
	15	56105334	1	Solution Tank-Blue (400 PSI)
		56105377	1	Solution Tank-Blue 100 (100 PSI)
	16	207A	1	Filter 40 Mesh S/S 1/2npt Fem
K1	17		2	Bolt-Php-SS-8-32x1/2
	18	909A	1	Latch-Strike-SS-No 8 Hole
	19	92BUSP	1	Nipple PVC 1/2 N.P.T.
K1		56105215	1	Hardware Kit-Solution Tank



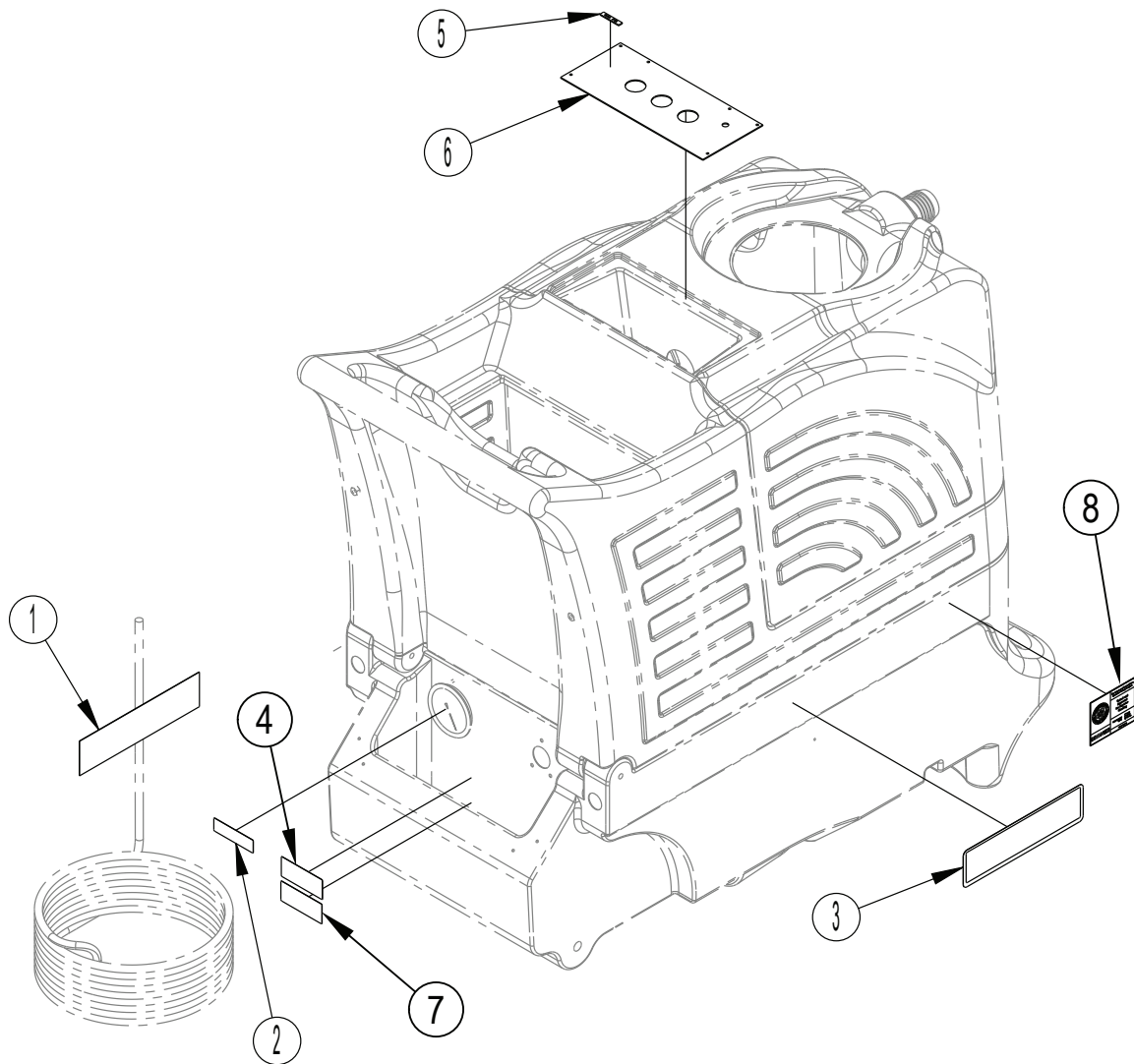
LADDER DIAGRAM - DUAL CORD

Kit	Item	Ref. No.	Qty	Description	Kit	Item	Ref. No.	Qty	Description
	E1	56105375	1	Heater 1750w 120v		S2	1623R	1	Switch On-Off Illuminated Cle
	H2	56113091	1	Light Green 250V Assy		S3	1623R	1	Switch On-Off Illuminated Cle
K1	M1		1	Motor A/C 1/3 Hp For 300 Psi P (400 PSI)		S4		1	Thermostat
K2			1	Pump 100 PSI (100 PSI)		S5	NA	1	Part of E1
	M2	408G	1	Vacuum Motor, 3-Stage, 5.7	K1	56105217	1	Kit-Pump Complete 100PSI	
	[]	56113056	1	Vac Motor Brush Kit-120v	K2	56105218	1	Kit-Pump Complete 400PSI	
	P1	423-120-240	1	Hour Meter 115/230 Volts With (optional)					
	S1	1623R	1	Switch On-Off Illuminated Cle					



LADDER DIAGRAM - SINGLE CORD

Kit	Item	Ref. No.	Qty	Description
K1	M1		1	Pump 100 PSI
	M2	408G	1	Vacuum Motor, 3-Stage, 5.7
	[]	56113056	1	Vac Motor Brush Kit-120v
	S1	1623R	1	Switch On-Off Illuminated Cle
	S2	1623R	1	Switch On-Off Illuminated Cle
K1		56105217	1	Kit-Pump Complete 100PSI



DECAL SYSTEM

Item	Ref. No.	Qty	Description
1	4339	2	Label Caution / Extension Cord
2	4344	1	Label Gauge Priming Warning 2 (400 PSI)
3	56105395	2	Decal-BEXT Pro (all models except 56105284)
	70825A	2	Label HDTR 2 X 5 For Bext (56105284 only)
4	56380692	1	Label Danger Electric Shock
5	2167-400	1	Label Advantage 400 PSI
	2167-100	1	Label Advantage 100 PSI
6	2167-2C	1	Overlay Advantage (100 & 400 PSI)
	56105387	1	Switchplate Overlay-100 NH (100 PSI NH)
7	1503A	1	Label Danger Electric Shock
8	2001A-CRI	2	Decal-CRI Bronze (all models except 56105308)

OPTIONS & ACCESSORIES

Ref. No.	Qty	Description
56113108	1	Kit-Hour Meter 120/240 (all models)
FPHT-5	1	Hand Tool Detailer S/S (all models)
FP153	1	Vac Hose/Pressure Ln. 15 MPE (all models)
FP635-MPE	1	Vac Hose/Pressure Ln. 25 For (all models)
FP195	1	Vac Hose/Pressure Ln 25 1/8 (all models)
FP196	1	Vac Hose/Pressure Ln 25 Ext (all models)
CSW-12	1	Carpet Scrub Wand 12 Head-LP (100psi models)
CSW-12DBLP	1	Carpet Scrub Wand 12 Head Doub (100psi models)
CSW-13-150	1	Carpet Scrub Wand 13 Head-150 (100psi models)
56380572	1	Aquawand Carpet Scrub Wand 13 (100psi models)
CSW-12-MPE	1	Carpet Scrub Wand 12 Head-HP F (400psi models)
CSW-12HP	1	Carpet Scrub Wand 12 Head-HP (400psi models)
56380456	1	Carpet Scrub Wand 13 Head-300 (400psi models)
CSW-13-500	1	Carpet Scrub Wand 13 Head-500 (400psi models)

Clarke[®]

14600 21st Avenue North
Plymouth, MN 55447-3408

www.clarkeus.com

Phone: 800-253-0367

Fax: 800-825-2753

©2014 Nilfisk-Advance, Inc.

A Nilfisk-Advance Brand