



Click Here To View
Item at

www.GapPower.com

*Sales • Rentals
Parts & Service*

1**Owner's Manual
Lawn Combers/Seeders****BlueBird
International, Inc.****Models**

F20B - 120B - F20BLS
520 - 120 - 520LS
720 - 220 - 720LS
405 - 140 - 407 - 240
TLC240

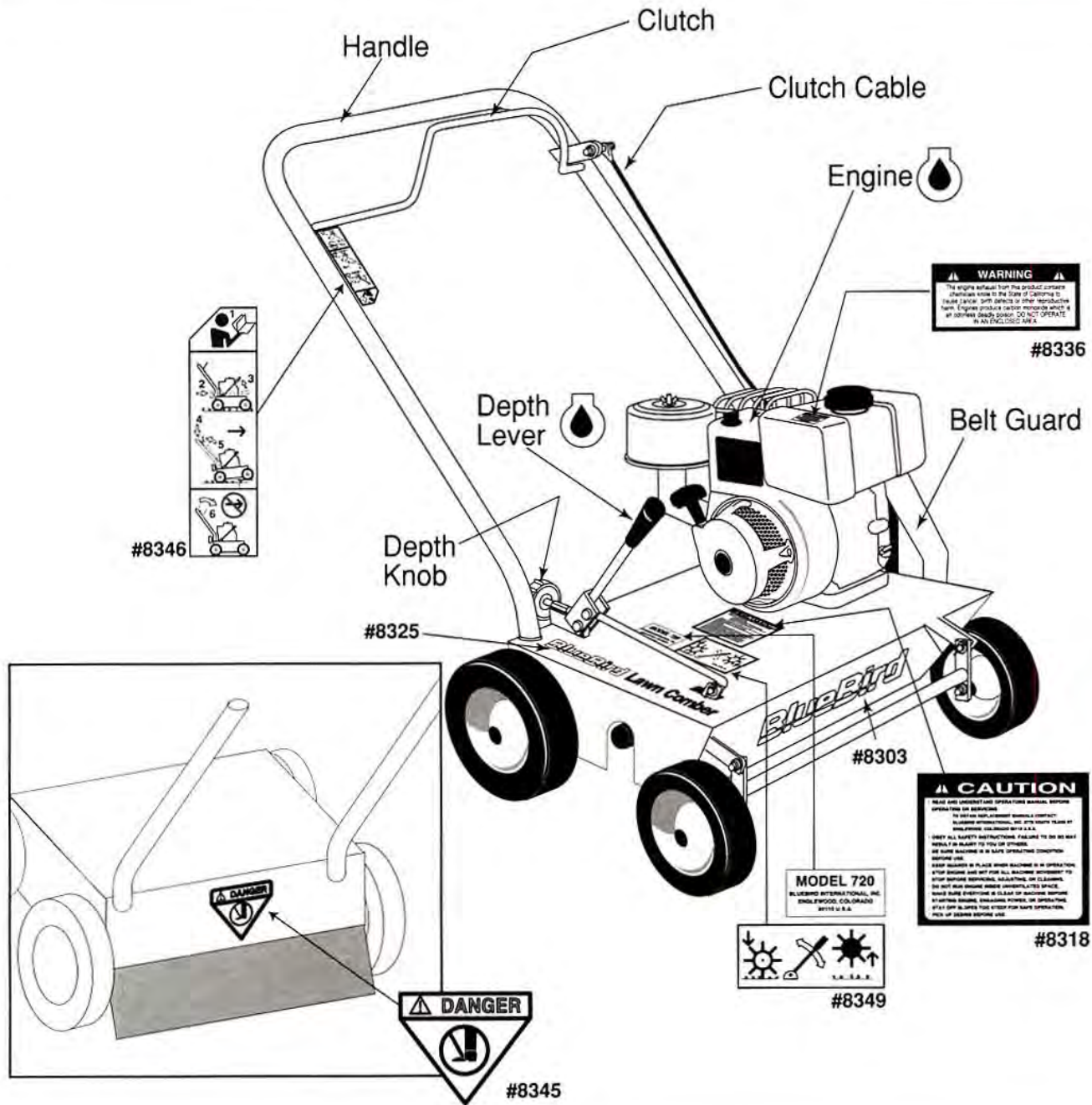
**2****Table of Contents**

Section 3: Lawn Comber Specifications	Section 18: Turn Rotor End to End	Section 33: Drawing F20B & 120B
Section 4: Features and Controls	Section 19: To Replace Worn Blades	Section 34: Parts F20B & 120B
Section 5: Putting Into Service	Section 20: Drive Belt Replacement	Section 35: Drawing 520-120-720-220
Section 6: General Operating Instructions	Section 21: Storage	Section 36: Parts 520-120-720-220
Section 7: Warnings	Section 22: Catcher Unit 405-140-407-240	Section 37: Drawing F20BLS & 120BLS
Section 8: Blade Versatility	Section 23: Catcher Bag	Section 38: Parts F20BLS & 120BLS
Section 9: Before You Start	Section 24: Proper Height Setting	Section 39: Drawing 520LS-120LS-720LS-220LS
Section 10: Starting	Section 25: Lawn Conditions	Section 40: Parts 520LS-120LS-720LS-220LS
Section 11: Finishing	Section 26: Attach Platform	Section 41: Drawing 405-140-407-240
Section 12: Maintenance and Service	Section 27: Lawn Seeder Operating Instructions	Section 42: Parts 405-140-407-240
Section 13: General Safety	Section 28: General Information	Section 43: Drawing TLC240
Section 14: Lubrication Schedule	Section 29: Setting the Seed Hopper	Section 44: Parts TLC240
Section 15: Inspection Schedule	Section 30: Delta Blade Wear	Section 45: Warranty
Section 16: Engine Service and Warranty	Section 31: Drawing Delta Reel	Section 46: Sound Test
Section 17: Adjusting Blade Height & Blade Wear	Section 32: Parts Delta Reel	Section 47: Vibration Test

3**Specifications**

	Engine hp	Net Weight (lbs)	Shipping Weight (lbs)	Width (inches)	Height (inches)	Length (inches)
F20B	5 B&S - 5.5 Honda	112	124	26	22.5	19.5
120B	NA	94	106	26	22.5	19.5
F20BLS	5 B&S - 5.5 Honda	138	150	26.75	22.5	26.75
520	5 B&S - 5.5 Honda	129	145	27	24	17.25
120	NA	115	131	27	24	17.25
520LS	5 B&S - 5.5 Honda	175	189	27.75	24	33
720	7 B&S	142	158	27	26.5	17.25
220	NA	115	142	27	26.5	17.25
720LS	7 B&S	187	201	27.75	26.5	33
405	5 B&S - 5.5 Honda	153	172	27.25	24.87	24
407	7 B&S	166	185	27.25	27.37	24
TLC240	7 B&S	181	198	35	29	27.5

Features and Controls



Putting Into Service

- 1) Install handle and bolt in place.
- 2) Add manufacturer's recommended oil to engine. (Refer to enclosed engine manufacturer's manual and follow starting instructions before proceeding further.)

- 3) Attach clutch cable to handle.

Caution: Be sure clutch cable is routed as shown in section 33 or 35.

- 4) Test clutch handle to insure clutch spring stretches 3/4" minimum, 1" maximum and releases freely.
- 5) The engine speed is pre-set by manufacturer. The correct speed is 3200 to 3400 RPM. Consult the engine manufacturer's manual for directions to adjust the governor and carburetor if speed is not within this range.

6

General Operating Instructions

7

Warnings

WARNING: DO NOT ⚠

- ⚠ Do not service when running.
- ⚠ Do not use on any surface other than grass.
- ⚠ Do not operate on slopes exceeding 35%.
- ⚠ Do not place hands or feet near moving or rotating parts.
- ⚠ Do not run engine in an unventilated space.
- ⚠ Do not run engine while servicing. Remove spark plug wire before commencing any service work.
- ⚠ Do not remove guards when operating.

WARNING: DO ⚠

- ⚠ Read all maintenance and service instructions before attempting work.
- ⚠ Read engine manufacturer operating and maintenance instructions.
- ⚠ Inspect lawn to be power raked and remove rocks, wire, string and other objects that might present a hazard before starting.
- ⚠ Identify and mark all in ground objects to be avoided, such as sprinkler heads, stakes, water valves, clothes line anchors, etc.
- ⚠ This machine is for use on grass lawns only.

8

Blade Versatility

Flail Blade

Thatch is the dense layer of clippings, roots and stems that forms between the soil and the base of the grass. As thatch builds up it prevents water, air and fertilizer from being absorbed into the soil, which causes shallow root development leading to drought susceptibility and winter kill. Excessive thatch also creates an ideal environment for insects and lawn diseases. Power raking removes this thatch layer and restores your lawn to good health.

Delta Blade

Created primarily for overseeding existing lawn. Effectively incorporates grass seed into the soil. This is an easy, reliable method for rejuvenating poor lawns. The Delta blade is also very useful as a vertical mower for cutting running stem grasses and for aerifying, to open up the soil to oxygen, water, nutrients and other chemicals. Beneficial on slopes, terraces and in high clay content soils where water runoff is a problem.

9

Before You Start

- Mow the lawn to its normal cut height.
- Allow lawn to dry. Wet conditions may cause increased damage to healthy grass plants.
- Set rake depth so that blades just touch on a flat surface like a sidewalk or drive.
- Lawns with deep thatch exceeding 3/4" may be best dethatched in two treatments (spring and fall) to avoid major shock to an old lawn.

10

Starting

- To engage clutch in heavy thatch, bear down on the handle to slightly raise the front wheels. Then engage the clutch and slowly lower the unit into the turf.
- Do a small test area at a slow walk and stop:
 - If the engine RPM drops excessively your depth is set too low.
 - If the unit pulls you forward and bounces roughly your setting is too low.

11

Finishing

- Remove all extracted thatch from the grass and compost or dispose of properly.

Other procedures to improve your lawn may include:

- Aeration
- Fertilization

Turning & Maneuvering Your Machine

- Bear down on the handle and pivot on the rear wheels.

CAUTION

BlueBird parts have been designed and specified to meet commercial operating standards for strength and durability. For reliability and preservation of design safety standards, replacements should only be made with genuine BlueBird parts or material of equivalent type and strength.

CAUTION

Any modifications or additions to this equipment without written authorization from the manufacturer, will void all manufacturer's warranties.



DO NOT operate this machine without first reading owner's manual.

Special Considerations on Hills

- Warning: DO NOT operate on hills exceeding 35% grade.
- It is recommended for best uniformity that hills be power raked across the slope, not up and down the slope.
- DO NOT leave the unit sitting on a slope unattended. It has no parking brake.

Transporting Your Lawn Comber

- Shut off engine and allow engine to cool 2 minutes.
- Close folding handle if unit is furnished with one.
- Using two people to lift machine is recommended.
- Secure in place during transport.

14 Lubrication Schedule

20 hrs	60 hrs	as req'd	store	See Section 4
<input type="checkbox"/>	<input checked="" type="checkbox"/>	<input checked="" type="checkbox"/>	<input checked="" type="checkbox"/>	Engine oil (Refer to engine mfg. manual.)
<input checked="" type="checkbox"/>	<input type="checkbox"/>	<input checked="" type="checkbox"/>	<input checked="" type="checkbox"/>	Depth adjust screw, motor oil.
<input checked="" type="checkbox"/>	<input type="checkbox"/>	<input checked="" type="checkbox"/>	<input checked="" type="checkbox"/>	Folding handle cam (F20B and 120B only)

15 Inspection Schedule

Each Use	20 hrs	
<input checked="" type="checkbox"/>	<input type="checkbox"/>	Engine oil (Refer to engine mfg. manual)
<input checked="" type="checkbox"/>	<input type="checkbox"/>	Clutch cable
<input checked="" type="checkbox"/>	<input type="checkbox"/>	Decals and warning
<input checked="" type="checkbox"/>	<input type="checkbox"/>	Fasteners and fittings
<input type="checkbox"/>	<input checked="" type="checkbox"/>	Belt wear (cracks, fraying, corners rounding)
<input checked="" type="checkbox"/>	<input type="checkbox"/>	Folding handle latch (F20B and 120B only)
<input type="checkbox"/>	<input checked="" type="checkbox"/>	Blade wear (see section 17)
<input type="checkbox"/>	<input checked="" type="checkbox"/>	Frame condition (rust, cracks, etc.)
<input checked="" type="checkbox"/>	<input type="checkbox"/>	Blade shaft spring clips (see section 18 & 20)
<input checked="" type="checkbox"/>	<input type="checkbox"/>	Engine air cleaner (see engine manual)

16 Engine Service and Warranty

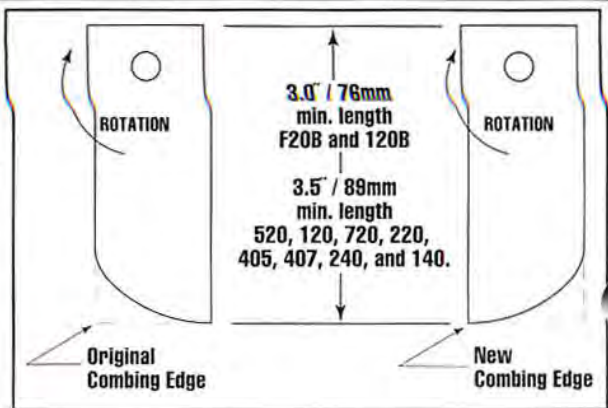
Contact your nearest engine manufacturer's authorized servicing dealer for engine service and warranty questions. Follow the engine manufacturer's maintenance instructions. Should any malfunction occur with the engine during the warranty period, take it to an Authorized Service Dealer. **DO NOT** tear down the engine, as this may void the Engine Manufacturer's Warranty.

17 Adjusting Blade Height and Blade Wear

The blades are raised and lowered by means of a height adjustment lever on the right side of the deck. The knob at the rear of this lever controls the depth. Turning the knob counter-clockwise allows the blades to go deeper. Turning the knob clockwise prevents the blades from going as deep.

After your BlueBird unit has been used for some time, the blades will tend to wear on the striking edge as shown. When this happens their dethatching performance will diminish. A new combing edge may be obtained by simply rotating the entire rotor shaft assembly end for end, which will result in a new edge as shown. This process may be repeated until the blades reach their wear limits. To turn the rotor shaft end for end follow steps in section 18.

See section 30 for Delta Blade Wear.



18

Turn Rotor End to End

Refer to Section 17

- | | |
|--|--|
| 1) Disconnect spark plug. | 7) Inspect shaft, bearings, blade length, blade safety clips and spacers. |
| 2) Allow engine to cool. | 8) Rotate shaft end for end. |
| 3) Remove belt guard. | 9) Reinstall bearing bolts. |
| 4) Remove belt and pulley from rotor shaft. | 10) Reinstall pulley, ensuring pulley is flush against the bearing collar. |
| 5) Remove plastic cap from opposite end of shaft and install where pulley was located. | 11) Check pulley alignment to engine shaft pulley and adjust if necessary. |
| 6) Remove the 4 bearing bolts and drop out rotor shaft. | 12) Reinstall belt and belt guard. |

19

To Replace Worn Blades

When blades have reached the wear limits as shown in section 17, the blades should be replaced with new ones to maintain proper combing action. It is desirable to install new blade shafts, should they show any signs of wear. Blade shaft spring clips must not be reused. Use only genuine BlueBird replacement parts.

- | | |
|--|--|
| 1) Remove spark plug wire. | 6) Drive blade shafts out toward the center. The blades and spacers will fall off. |
| 2) Let engine cool. | 7) Install new blades, replacing rubber spacers if necessary. Refer to parts drawing for blade/spacer placement. |
| 3) Remove belt guard, belt and shaft pulley. | 8) Install new spring clips. |
| 4) Take out and dispose of spring clips that hold the shaft in position. | 9) Repeat for remaining three shafts. |
| 5) Inspect the blade shafts and replace if bent or worn. | 10) Reinstall pulley and align to engine pulley. |
| | 11) Reinstall belt and belt guard. |

20

Drive Belt Replacement

- | | |
|--|--|
| 1) Remove spark plug wire and allow engine to cool. | 5) Check engine pulley to rotor pulley alignment and adjust if necessary. |
| 2) Remove belt guard. | 6) Inspect belt idler; idler roller bearing should rotate smooth and free. Idler pivot arm should be free with no more than 0.25" side play. Replace if necessary. |
| 3) Remove old belt. | 7) Install new belt by looping over bottom pulley first, then over engine pulley. Be sure belt idler and belt keepers are outside the loop of the belt. |
| 4) Inspect pulley for wear and replace if necessary. | 8) Reinstall the belt guard and adjust belt keeper as necessary. |

21

Storage

1. Refer to engine manufacturer's instructions for engine storage information.
2. Clean machine.
3. Cover all scratches with touch up paint.
4. Lubricate according to Lubrication Schedule. (Section 14)
5. Covered or indoor storage is recommended.

22

Catcher Unit 405-140-407-240

23

Catcher Bag

Bag damage most commonly occurs due to improper assembly of bag to frame. Be sure to follow assembly instructions included with your bag.

25

Lawn Conditions

Best performance will be achieved in lawns that are cut short and free of moisture. Wet lawns will hamper the bagging effectiveness. Long grass may result in tearing or ripping of the lawn.

24

Proper Height Setting

Thatch is thrown into the catcher by the impact of the flail blades swinging through the grass. The blades should not hit the ground. If the blades hit the ground, they tend to bounce back and not swing through the grass.

If the lawn being worked on has a heavy buildup of thatch, it is recommended to go over it in one direction and do it again at a right angle. A heavy buildup of thatch may have taken years to accumulate — it may take 2 or 3 sessions of combing to remove it. Don't try to correct a severe problem with one pass over the lawn.

26

Attach Platform

Put the hooks on platform into the slots at rear of machine. Push platform into the slots. Raise up end of platform about 45 degrees, the hooks on front of platform will slip down into "keyhole slot." To remove, reverse above.

27

Lawn Seeder Operating Instructions

28

General Information

The seed hopper is located at the front of the machine and the seed is dropped 2" spacing in front of the blades. The blades plant the seeds by slicing them into the soil. As the lawn seeder moves forward, the heavy neoprene deflector at the rear smoothes the soil so the seed is covered and the area seeded is even and not torn up.

To avoid the unattractive effect of "rows" of new grass, it is recommended to overseed in one direction, then "cross-cut" at approximately 45 degrees from the first run. When you use this procedure, set the seed drop setting at 1/2 of the recommended application rate per 1,000 square feet.

The lawn seeder is not a "thatcher." Excess thatch (if present) should be removed with a thatcher before overseeding. Seed must have contact with soil (including soil cover) to germinate.

29

Setting the Seed Hopper

There is a seed application chart on the under side of the seed hopper cover. The seed adjustment dial is on the front of the seed hopper. To set the seed adjustment, loosen the thumb screw, rotate the adjusting dial to the correct setting, then tighten the thumb screw. The seed control rod is located between the handles of the seeder unit.

When the seed control lever is rotated, the adjusting dial controls how far the seed gate can open. The seed control rod allows you to turn off the flow of seed when making turns and when filling the seed hopper.

30

Delta Blade Wear

520, 120, 720 and 220 SERIES LAWN SEEDERS allow the rear wheels to be mounted in two separate positions.

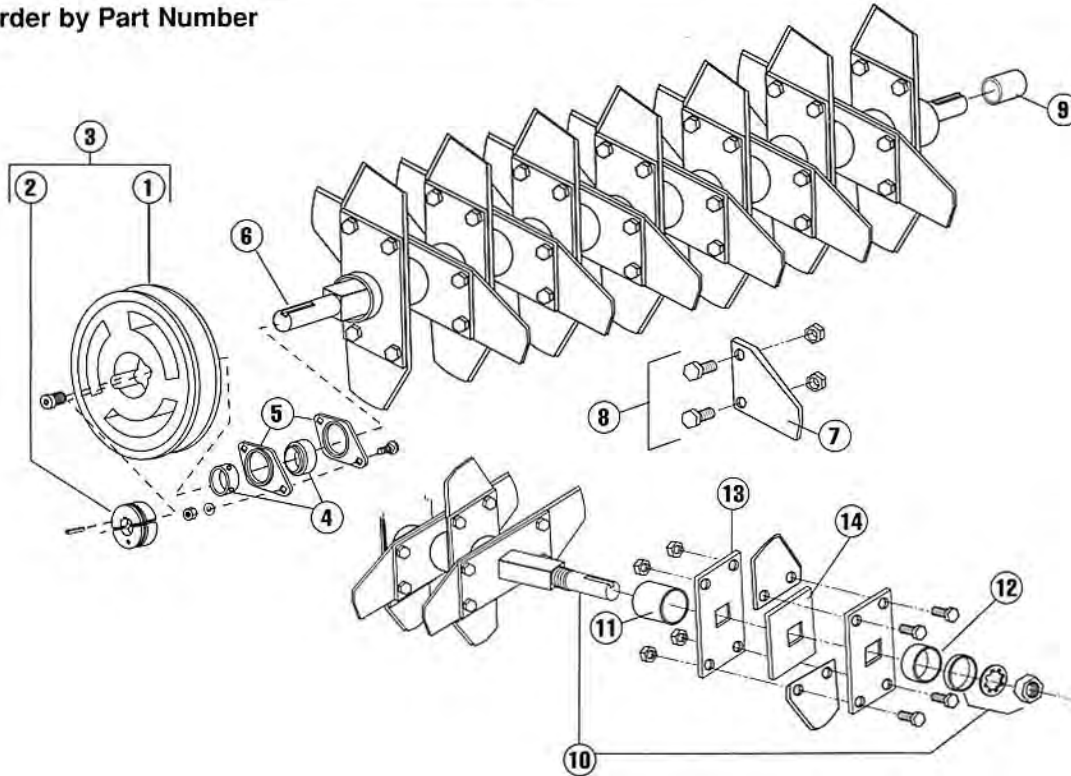
After the Delta blade reaches 2 1/4" in length, remove the rear wheels and remount them to the top hole. Remember to move the rear wheels to bottom hole when mounting new blades.

The **F-20B LAWN SEEDER** has an adjustable seeder attachment.

The lower holes are provided to allow additional blade wear after the blade reaches 2 1/4". Simply move the seeder attachment to the lower holes. Remember to remount the seeder attachment to the top holes when installing new blades.

Drawing Delta Reel

Please Order by Part Number



Parts Delta Reel

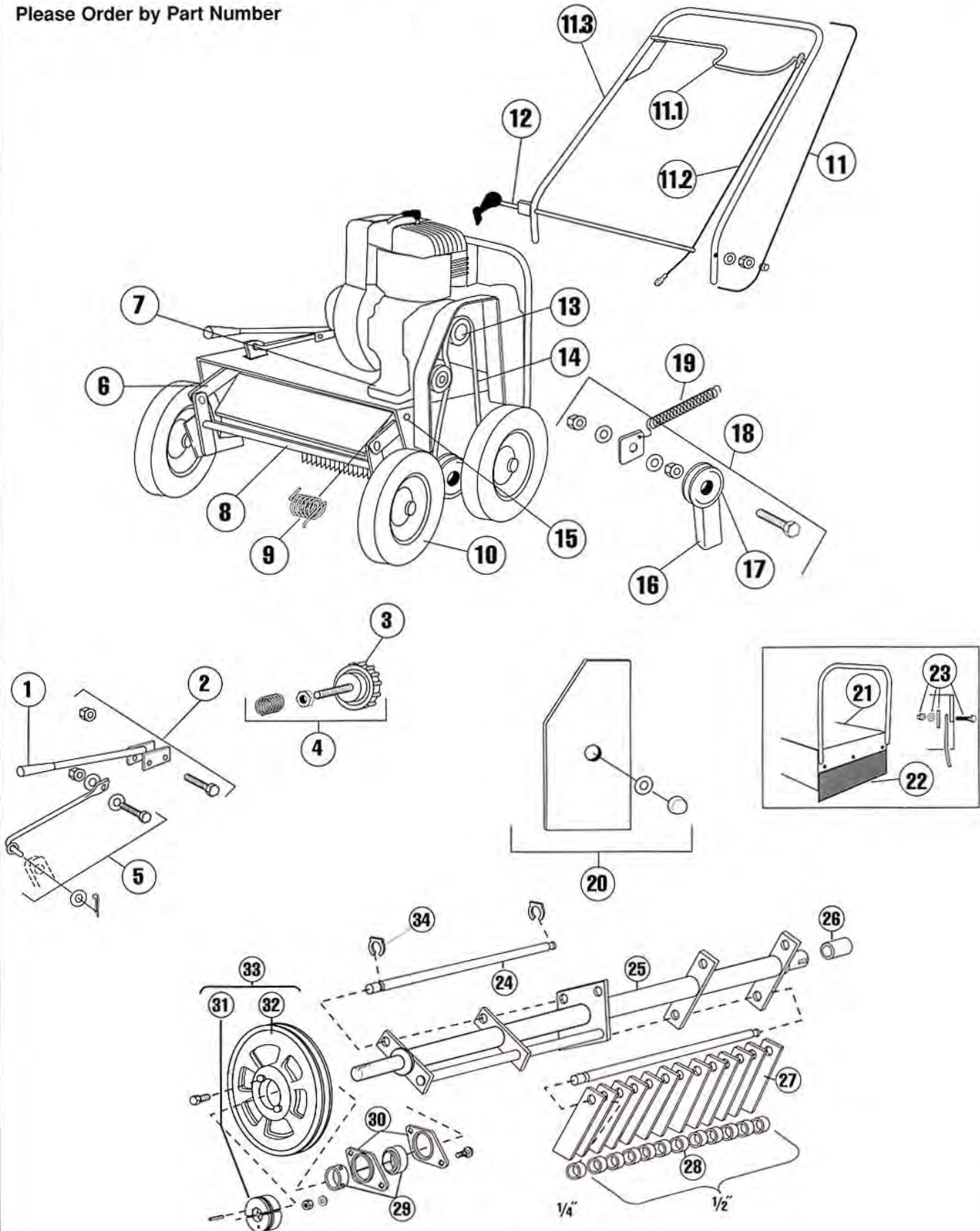
NOTE: Quantity refers to Quantity used in a complete machine

Item No.	Part No.	Description	F20BD	F20BLS	520D	520LS	720D	720LS
1	0345	V-pulley, A-5" O.D.	1	1				
	0349	V-pulley, B-6.3" O.D.			1	1	1	1
2	0347	Bushing, 3/4" bore, with screws	1	1	1	1	1	1
3	5250	V-pulley, A-5" O.D. with 3/4" bushing	1	1				
	5169	V-pulley, B-6.3" O.D. with 3/4" bushing			1	1	1	1
4	0315	Bearing, 3/4" with locking collar (1 each)	2	2	2	2	2	2
5	5185	Stamping kit for 3/4" bearing w/hardware (1 each)	2	2	2	2	2	2
6	5249	Delta reel assembly, without blades	1	1				
	5049	Delta reel assembly, without blades			1	1	1	1
	5920	Delta reel assembly complete without bearings	1	1				
	5940	Delta reel assembly complete without bearings			1	1	1	1
	5922	Delta reel assembly complete with bearings	1	1				
	5942	Delta reel assembly complete with bearings			1	1	1	1
7	5970	Blade, set, Delta, 20 ea. austempered	1	1	1	1	1	1
8	5075	Bolt kit, blade, 40 each with nuts	1	1	1	1	1	1
9	5005	Cap, plastic, 3/4" I.D.	1	1	1	1	1	1
10	5061	Shaft, Delta reel with nut and washer	1	1	1	1	1	1
11	5064	Spacer, carrier, steel tube (1 each)	9	9	9	9	9	9
12	5065	End ring, steel (1 each)	2	2	2	2	2	2
13	5268	Plate, blade carrier (1 each)	20	20				
	5062	Plate, blade carrier (1 each)			20	20	20	20
14	5269	Plate, blade spacer (1 each)	10	10				
	5063	Plate, blade spacer (1 each)			10	10	10	10

*For Models TLC240 Towable, see sections 43 and 44

Drawing F20B & 120B

Please Order by Part Number



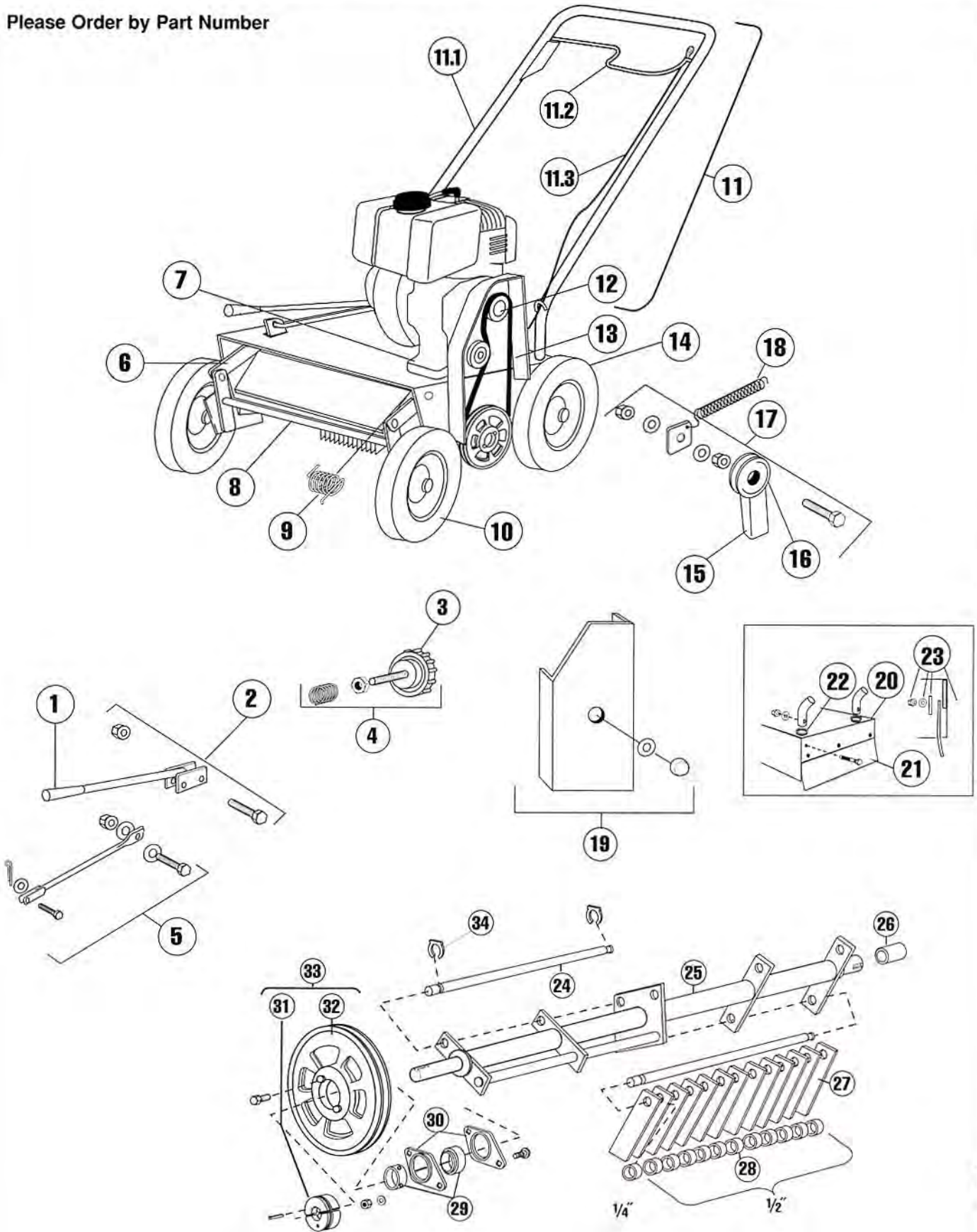
NOTE: Quantity refers to Quantity used in a complete machine

Item no.	Part no.	Description	F20B	120B
1	0026	Knob, black plastic	1	1
2	5145	Lever kit, height adjustment w/hardware	1	1
3	5151	Knob with screw	1	1
4	5150	Height adjustment kit	1	1
5	5406	Push rod kit, with hardware	1	1
6	5190	Torque arm assembly, height adjustment, includes 5168 trunnion rod kit	1	1
7	5193	Plate, engine bolt, top (1 each)	2	2
	5198	Bolt kit, engine	1	1
8	5235	Axle, front wheel	1	1
	5164	Pin kit, front axle, contains 2 each clevis pins, washers and cotter pins	1	1
9	5154	Spring, torsion	1	1
10	5051	Wheel, 8" x 1.75" semi-pneumatic, with ball bearing (1 each)	4	4
	5052	Bolt kit, wheel, right front	1	1
	5247	Bolt kit, wheel, left front	1	1
	5248	Bolt kit, wheel, left rear	1	1
	5254	Bolt kit, wheel, right rear	1	1
11	5238	Handle assembly, includes 5239 clutch handle, 5289 clutch cable and 5242 handle	1	1
11.1	5239	Clutch handle	1	1
11.2	5289	Clutch cable with hardware	1	1
11.3	5242	Handle, folding	1	1
12	5207	Rod kit, with cam	1	1
	5256	Cam locking lever	1	1
13	0329	V-pulley, A-2.5" O.D. x 3/4" bore	1	1
14	0334	V-belt, A-31" special	1	1
	5217	Belt keeper kit, includes bolt, nut and washer	1	1
15	5168	Trunnion rod kit	1	1
16	5121	Mounting arm, idler pulley	1	1
17	0343	Pulley, idler, 2 3/4" O.D.	1	1
18	5027	Pulley kit, idler includes 5121, 5129, 0343, bolt, nuts and washers	1	1
19	5129	Spring, clutch	1	1
20	5215	Shield assembly, with washer and nut	1	1
21	5210	Housing, Model F-20B and 120B	1	1
22	5161	Deflector, Neoprene	1	1
23	5162	Strap kit, with bolts, for deflector	1	1
24	5002	Shaft set, 4 each with C clips	1	1
25	5170	Rotor, flail, without blades and shafts	1	1
	5275	Rotor assembly, complete without bearings	1	1
	5280	Rotor assembly, complete with bearings	1	1
26	5005	Cap, plastic, 3/4" I.D.	1	1
27	5201	Blade set, flail, 52 each, 1/4" x 3 1/2"	1	1
	5203	Blade and shaft set, 5201 and 5002 in one package	1	1
28	5004	Spacer set, rubber, 48 each	1	1
29	0315	Bearing, 3/8" with locking collar	2	2
30	5185	Stamping kit, for 3/8" bearing, with bolts, nuts and washers (1 each)	2	2
31	0347	Bushing, 3/4" bore, with screws	1	1
32	0345	V-pulley, A-5" O.D., without bushing	1	1
33	5250	V-pulley, A-5" O.D. with 3/4" bushing	1	1
34	0351	Retaining clip	8	8
	8520	Decal kit, F20B and 120B	1	1
	0727	Paint, blue 12.5 oz. spray can		
	0728	Paint, blue 1 qt. can		

*For Delta Reel Models, refer to sections 31 and 32

Drawing 520-120-720-220

Please Order by Part Number



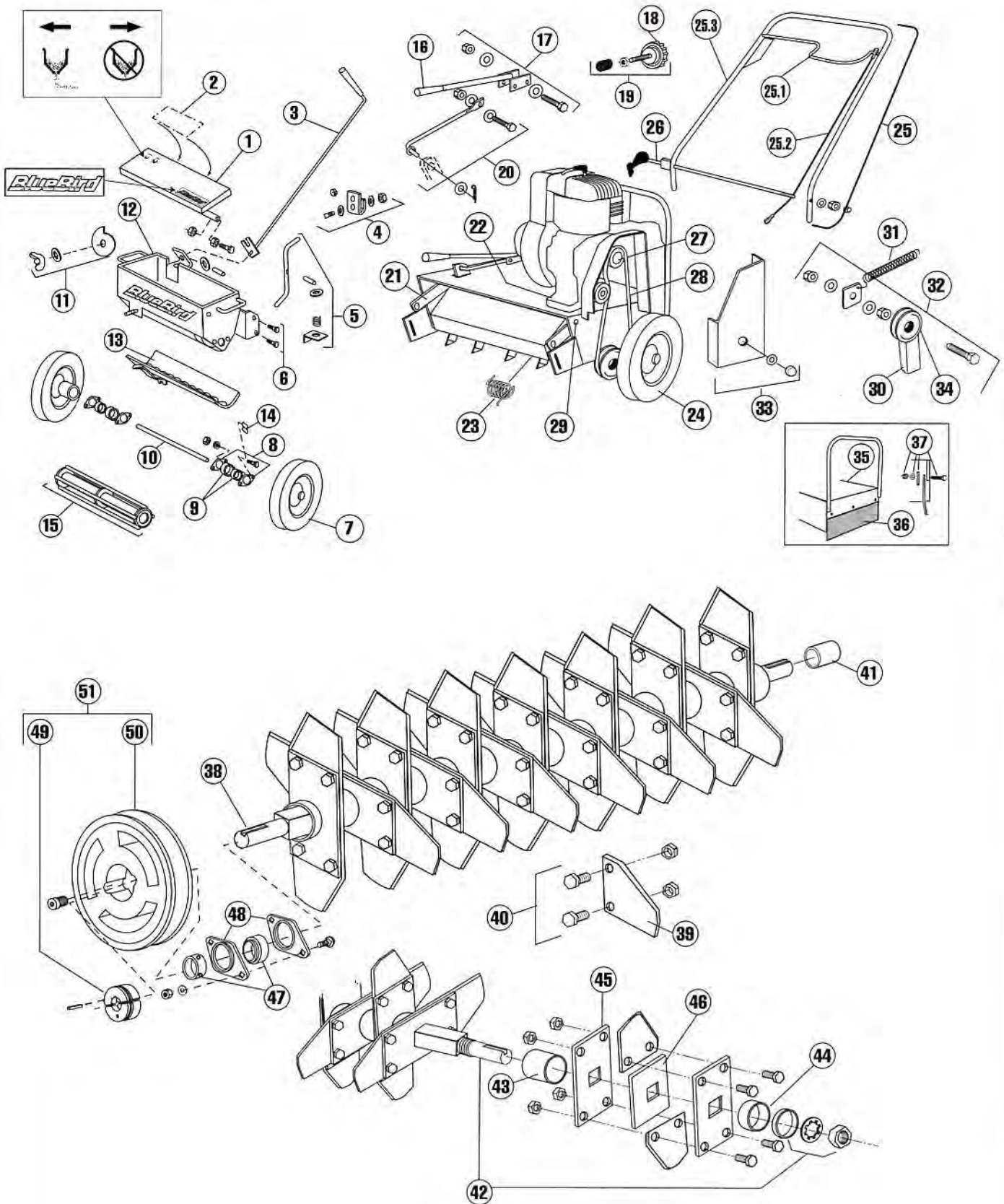
NOTE: Quantity refers to Quantity used in a complete machine

Item no.	Part no.	Description	520	120	720	220
1	0026	Knob, black plastic	1	1	1	1
2	5145	Lever kit, height adjustment with bolt, nut and washers	1	1	1	1
3	5151	Knob with screw	1	1	1	1
4	5150	Height adjustment kit	1	1	1	1
5	5155	Push rod kit with hardware	1	1	1	1
6	5190	Torque arm assembly, height adjustment, includes 5168 kit	1	1	1	1
	5168	Trunnion rod kit	1	1	1	1
7	5193	Plate, engine bolt, top (1 each)	2	2	1	1
	5198	Bolt kit engine	1	1	1	1
8	5135	Axle, front wheel	1	1	1	1
	5164	Pin kit, front axle, contains 2 ea. clevis pins, washers & cotter pins	1	1	1	1
9	5154	Spring, torsion	1	1	1	1
10	5051	Wheel, 8" x 1.75" semi-pneumatic, with ball bearing (1 each)	2	2	2	2
	5052	Bolt kit, wheel, front (1 each)	2	2	2	2
11	5163	Handle assembly, includes 5165 handle, 5171 clutch handle and 5089 clutch cable	1	1	1	1
11.1	5165	Handle, operator	1	1	1	1
11.2	5171	Clutch handle	1	1	1	1
11.3	5089	Clutch cable with hardware	1	1	1	1
12	0330	V-pulley, B-3" O.D. x 3/4" bore	1	1		
	0331	V-pulley, B-3" O.D. x 1" bore			1	1
13	0339	V-belt, B-36" special	1	1		
	0340	V-belt B-38" special			1	1
	5140	Belt keeper kit, includes bolt, nut and washer	1	1	1	1
14	5053	Wheel, 10" x 2.75" semi-pneumatic with ball bearing (1 each)	2	2	2	2
	5054	Bolt kit, wheel, rear (1 each)	2	2	2	2
15	5121	Mounting arm, idler pulley	1	1	1	1
16	0343	Pulley, idler, 2 1/4" O.D.	1	1	1	1
17	5027	Pulley kit, idler includes 5121, 5129, 0343 and bolt, nuts and washers	1	1	1	1
18	5129	Spring, clutch rod	1	1	1	1
19	5025	Shield assembly, with washer and nut	1	1	1	1
20	5110	Housing weldment	1	1	1	1
21	5161	Deflector, Neoprene	1	1	1	1
22	5167	Bolt kit, handle	1	1	1	1
23	5162	Strap kit, with bolts, for deflector	1	1	1	1
24	5002	Shaft kit, 4 each with C clips	1	1	1	1
25	5170	Rotor, flail, without blades and shafts	1	1	1	1
	5175	Rotor assembly, complete without bearings	1	1	1	1
	5180	Rotor assembly, complete with bearings	1	1	1	1
26	5005	Cap, plastic, 3/4" I.D.	1	1	1	1
27	5001	Blade set, flail, 52 each, 1/8" x 4"	1	1	1	1
	5003	Blade and shaft set, 5001 and 5002 in one package	1	1	1	1
28	5004	Spacer set, rubber, 48 each	1	1	1	1
29	0315	Bearing, 3/4" with locking collar (1 each)	2	2	2	2
30	5185	Stamping kit, for 3/4" bearing, with bolts, nuts and washers (1 each)	2	2	2	2
31	0347	Bushing, 3/4" bore, with screws	1	1	1	1
32	0349	V-pulley, B-6.3" O.D., without bushing	1	1	1	1
33	5169	V-pulley, B-6.3" O.D. with 3/4" bushing	1	1	1	1
34	0351	Retaining clip	8	8	8	8
	8518	Decal kit, 520 and 120	1	1		
	8526	Decal kit, 720 and 220			1	1
	0727	Paint, blue 12.5 oz. spray can				
	0728	Paint, blue 1 qt. can				

*For Delta Reel Models, refer to sections 31 and 32

Drawing F20BLS & 120BLS Lawn Seeder

Please Order by Part Number

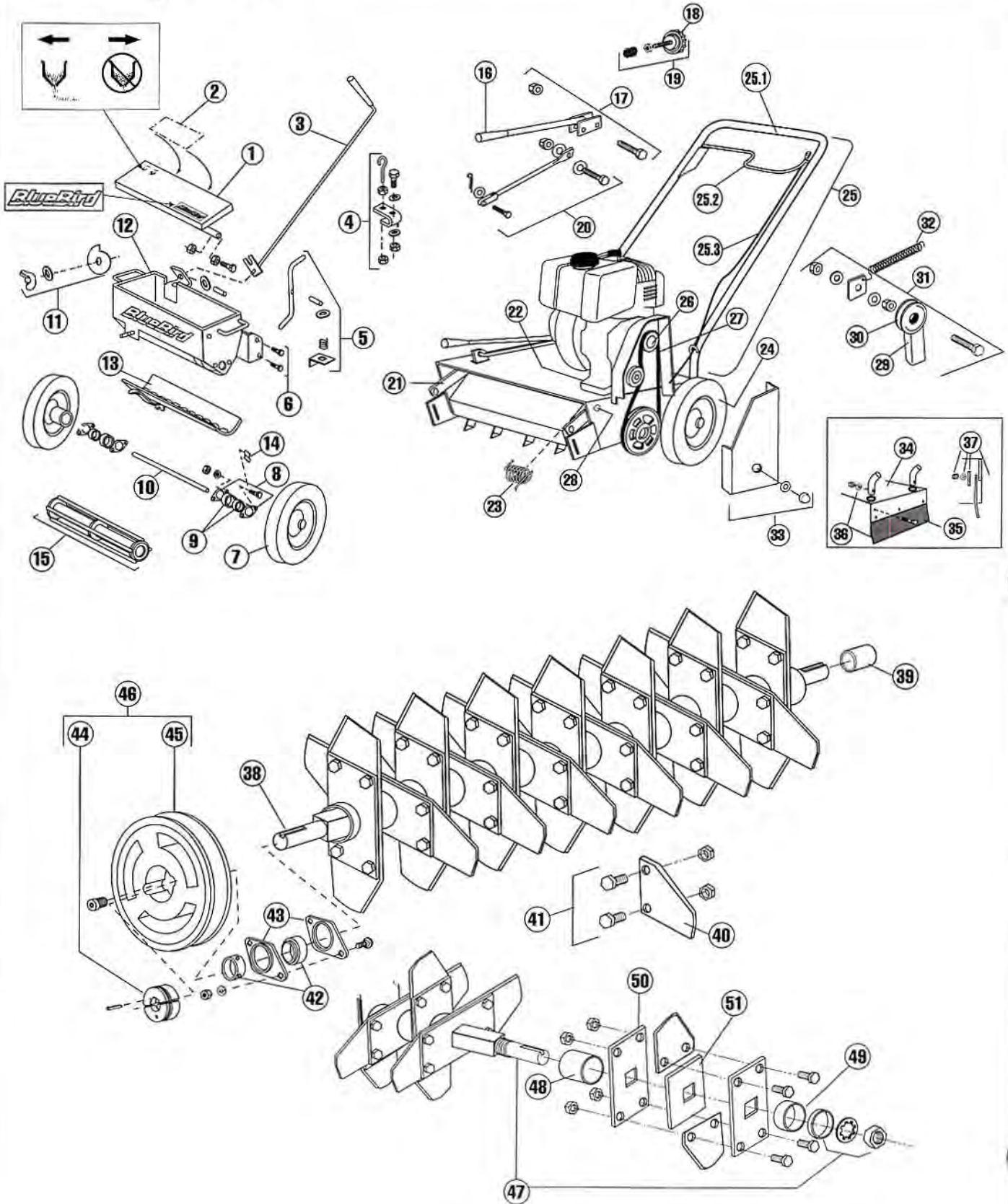


Parts F20BLS & 120BLS Lawn Seeders

NOTE: Quantity refers to Quantity used in a complete machine

Item no.	Part no.	Description	F20B	120B
1	9117	Cover assembly with decals and hardware	1	1
2	9118	Decal, seed application	1	1
3	9213	Control rod with knob and hardware	1	1
4	9111	Bracket, support with hardware for control rod	1	1
5	9214	Slide activator rod kit	1	1
6	9216	Bolt kit, seeder to unit	1	1
7	9128	Wheel, 8" x 1.75" fixed hub, with pin (1 each)	2	2
8	9126	Stamping kit, for 5/8" bearing, with bolts, nuts and washers (1 each)	2	2
9	9127	Bearing, 5/8" with locking collar (1 each)	2	2
10	9125	Axle, agitator with screw	1	1
11	9121	Dial, cam control with decal and nut	1	1
12	9219	Hopper with decals	1	1
13	9229	Gate, slide	1	1
14	9120	Bracket, stop	1	1
15	9130	Agitator with screw	1	1
16	0026	Knob, black plastic	1	1
17	5145	Lever kit, height adjustment w/hardware	1	1
18	5151	Knob with screw	1	1
19	5150	Height adjustment kit	1	1
20	5406	Push rod kit, with hardware	1	1
21	5190	Torque arm assembly, height adjustment, includes 5168 trunnion rod kit	1	1
22	5193	Plate, engine bolt, top (1 each)	2	2
	5198	Bolt kit, engine	1	1
23	5154	Spring, torsion	1	1
24	5051	Wheel, 8" x 1.75" semi-pneumatic, with ball bearing (1 each)	2	2
	5248	Bolt kit, wheel, left rear	1	1
	5254	Bolt kit, wheel, right rear	1	1
25	5238	Handle assembly, includes 5239 clutch handle, 5289 clutch cable and 5242 handle	1	1
25.1	5239	Clutch handle	1	1
25.2	5289	Clutch cable with hardware	1	1
25.3	5242	Handle, folding	1	1
26	5207	Rod kit, with cam	1	1
	5256	Cam locking lever	1	1
27	0329	V-pulley, A-2.5" O.D. x 3/4" bore	1	1
28	0334	V-belt, A-31" special	1	1
	5217	Belt keeper kit, includes bolt, nut and washer	1	1
29	5168	Trunnion rod kit	1	1
30	5121	Mounting arm, idler pulley	1	1
31	5129	Spring, clutch	1	1
32	5027	Pulley kit, idler includes 5121, 5129, 0343, bolt, nuts and washers	1	1
33	9115	Shield assembly, with washer and nut	1	1
34	0343	Pulley, idler, 2 1/2" O.D.	1	1
35	5210	Housing, Model F-20B and 120B	1	1
36	5161	Deflector, Neoprene	1	1
37	5162	Strap kit, with bolts, for deflector	1	1
38	5249	Delta reel assembly, without blades	1	1
	5920	Delta reel assembly complete without bearings	1	1
	5922	Delta reel assembly complete with bearings	1	1
39	5970	Blade set, Delta, 20 each, austempered	1	1
40	5075	Bolt kit, blade, 40 ea.	1	1
41	5005	Cap, plastic, 3/4" I.D.	1	1
42	5061	Shaft, Delta reel with nut and washers	1	1
43	5064	Spacer, carrier, steel tube (1 each)	9	9
44	5065	End ring, steel (1 each)	2	2
45	5268	Plate, blade carrier (1 each)	20	20
46	5269	Plate, blade spacer (1 each)	10	10
47	0315	Bearing, 3/8" with locking collar (1 each)	2	2
48	5185	Stamping kit, for 3/8" bearing, with bolts, nuts and washers (1 each)	2	2
49	0347	Bushing, 3/4" bore, with screws	1	1
50	0345	V-pulley, A-5" O.D., without bushing	1	1
51	5250	V-pulley, A-5" O.D. with 3/4" bushing	1	1
	8523	Decal kit, Seeder attachment	1	1
	8527	Decal kit, F20BLS & 120BLS	1	1
	0727	Paint, blue 12.5 oz spray can		
	0728	Paint, blue 1 qt. can		

Please Order by Part Number

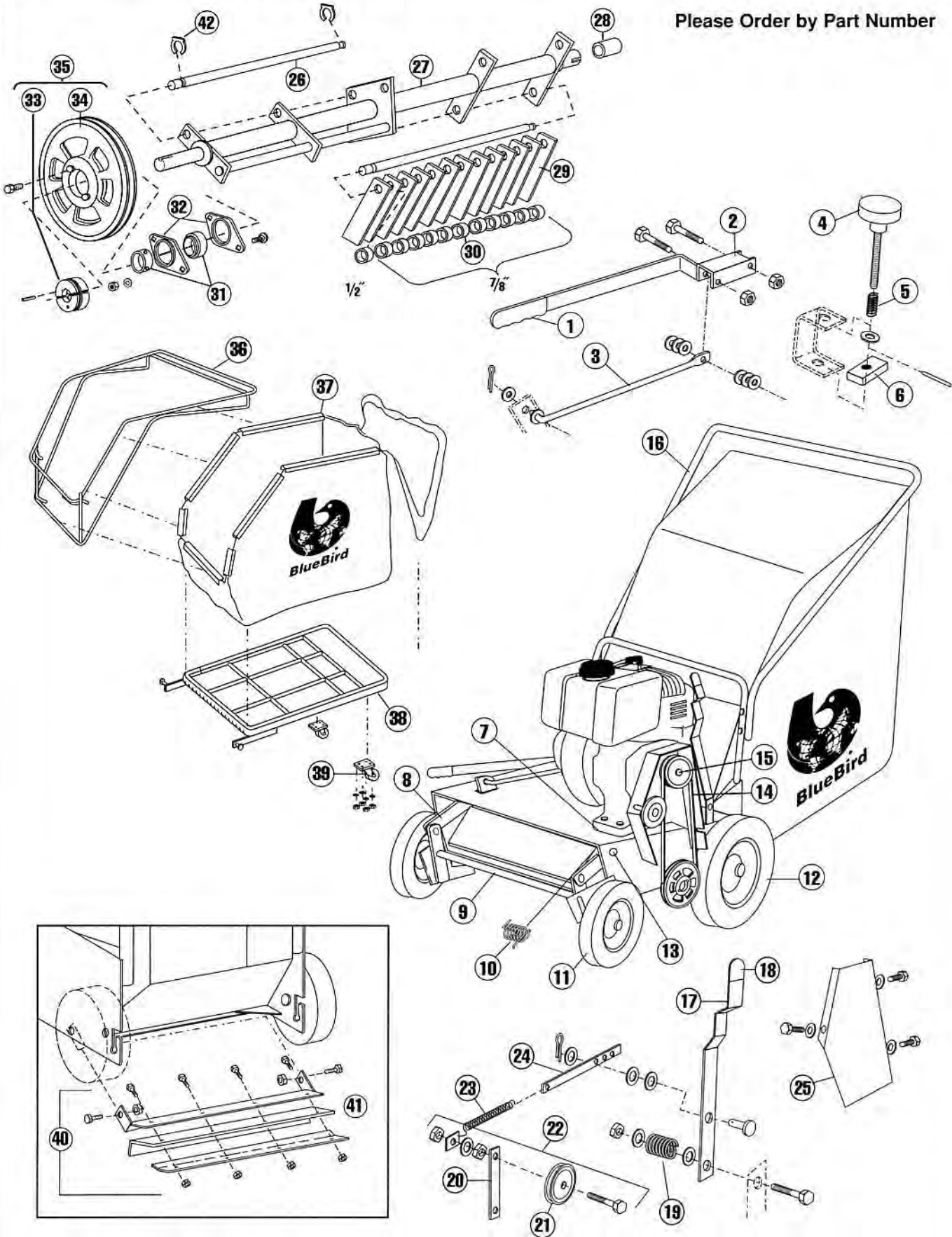


NOTE: Quantity refers to Quantity used in a complete machine

Item no.	Part no.	Description	520	120	720	220
1	9117	Cover assembly with decals and hardware	1	1	1	1
2	9118	Decal, seed application	1	1	1	1
3	9213	Control rod with knob and hardware	1	1	1	1
4	9232	Bracket, support with hardware for control rod	1	1	1	1
5	9214	Slide activator rod kit	1	1	1	1
6	9216	Bolt kit, seeder to unit	1	1	1	1
7	9137	Wheel, 10" x 1.75" fixed hub, with pin (1 each)	2	2	2	2
8	9126	Stamping kit, for 3/4" bearing, with bolts, nuts and washers (1 each)	2	2	2	2
9	9127	Bearing, 3/4" with locking collar (1 each)	2	2	2	2
10	9125	Axle, agitator with screw	1	1	1	1
11	9121	Dial, cam control with decal and nut	1	1	1	1
12	9234	Hopper, with decals	1	1	1	1
13	9229	Gate, slide	1	1	1	1
14	9120	Bracket, stop	1	1	1	1
15	9130	Agitator with screw	1	1	1	1
16	0026	Knob, black plastic	1	1	1	1
17	5145	Lever kit, height adjustment with bolt, nut and washers	1	1	1	1
18	5151	Knob with screw	1	1	1	1
19	5150	Height adjustment kit	1	1	1	1
20	5155	Push rod kit with hardware	1	1	1	1
21	5190	Torque arm assembly, height adjustment, includes 5168 kit	1	1	1	1
22	5193	Plate, engine bolt, top (1 each)	2	2	1	1
	5198	Bolt kit engine	1	1	1	1
23	5154	Spring, torsion	1	1	1	1
24	5053	Wheel, 10" x 1.75" semi-pneumatic, with ball bearing (1 each)	2	2	2	2
	5054	Bolt kit, wheel, rear (1 each)	2	2	2	2
25	5163	Handle assembly, includes 5165 handle, 5171 clutch handle and 5089 clutch cable	1	1	1	1
25.1	5165	Handle, operator	1	1	1	1
25.2	5171	Clutch handle	1	1	1	1
25.3	5089	Clutch cable with hardware	1	1	1	1
26	0330	V-pulley, B-3" O.D. x 3/4" bore	1	1		
	0331	V-pulley, B-3" O.D. x 1" bore			1	1
27	0339	V-belt, B-36" special	1	1		
	0340	V-belt B-38" special			1	1
	5140	Belt keeper kit, includes bolt, nut and washer	1	1	1	1
28	5168	Trunnion rod kit	1	1	1	1
29	5121	Mounting arm, idler pulley	1	1	1	1
30	0343	Pulley, idler, 2 3/4" O.D.	1	1	1	1
31	5027	Pulley kit, idler includes 5121, 5129, 0343 and bolt, nuts and washers	1	1	1	1
32	5129	Spring, clutch rod	1	1	1	1
33	5025	Shield assembly, with washer and nut	1	1	1	1
34	5110	Housing weldment	1	1	1	1
35	5161	Deflector, Neoprene	1	1	1	1
36	5167	Bolt kit, handle	1	1	1	1
37	5162	Strap kit, with bolts, for deflector	1	1	1	1
38	5049	Delta reel assembly, without blades	1	1	1	1
	5940	Delta reel assembly complete without bearings	1	1	1	1
	5942	Delta reel assembly, complete with bearings	1	1	1	1
39	5005	Cap, plastic, 3/4" I.D.	1	1	1	1
40	5970	Blade set, Delta, 20 ea., austempered	1	1	1	1
41	5075	Bolt kit, blade, 40 ea. with nuts	1	1	1	1
42	0315	Bearing, 3/4" with locking collar (1 each)	2	2	2	2
43	5185	Stamping kit, for 3/4" bearing, with bolts, nuts and washers (1 each)	2	2	2	2
44	0347	Bushing, 3/4" bore, with screws	1	1	1	1
45	0349	V-pulley, B-6.3" O.D., without bushing	1	1	1	1
46	5169	V-pulley, B-6.3" O.D. with 3/4" bushing	1	1	1	1
47	5061	Shaft, Delta reel with nut and washers	1	1	1	1
48	5064	Spacer, carrier, steel tube (1 each)	9	9	9	9
49	5065	End ring, steel (1 each)	2	2	2	2
50	5062	Plate, blade carrier (1 each)	20	20	20	20
51	5063	Plate, blade spacer (1 each)	10	10	10	10
	8523	Decal kit, seeder attachment	1	1	1	1
	8528	Decal kit, 520LS and 120LS	1	1		
	8529	Decal kit, 720LS and 220LS			1	1
	0727	Paint, blue 12.5 oz. spray can				
	0728	Paint, blue 1 qt. can				

Drawing 405-140-407-240 Lawn Combers

Please Order by Part Number

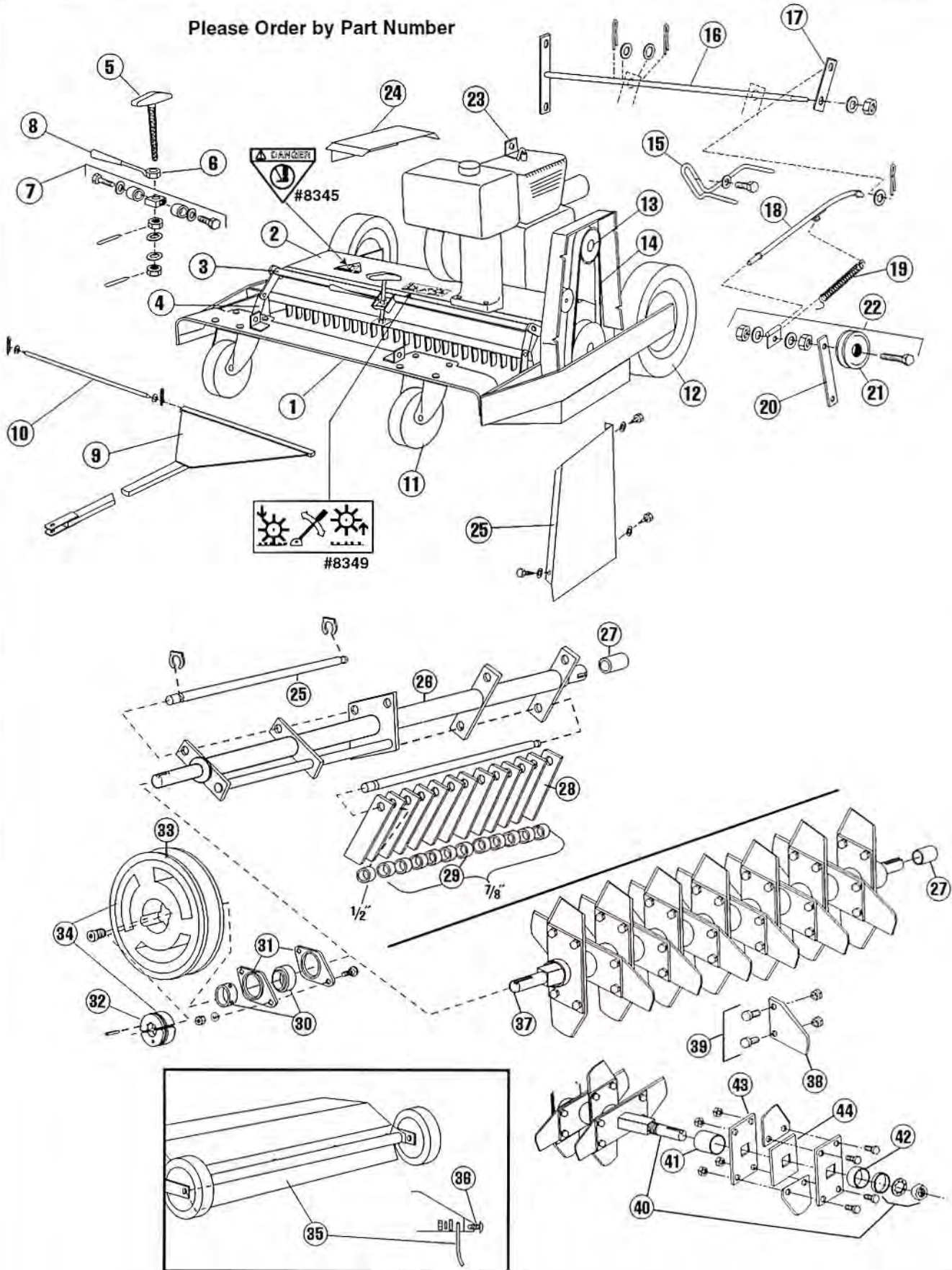


NOTE: Quantity refers to Quantity used in a complete machine

Item no.	Part no.	Description	405	140	407	240
1	5414	Grip, black plastic	1	1	1	1
2	5405	Lever kit, height adjustment with bolt and nut	1	1	1	1
3	5406	Push rod kit	1	1	1	1
4	5407	Knob kit, height adjustment	1	1	1	1
5	5408	Spring, compression	1	1	1	1
6	5443	Stop block kit with washer and pin	1	1	1	1
	5400	Height adjustment kit contains 5407, 54098 and 5443	1	1	1	1
7	5193	Plate, engine bolt, top	1	1	1	1
	5018	Plate, engine bolt, bottom	1	1	1	1
8	5190	Torque arm assembly, height adjustment includes 5168	1	1	1	1
	5164	Pin kit, front axle contains 2 ea. clevis pins, washers and cotter pins	1	1	1	1
9	5135	Axle, front wheel	1	1	1	1
10	5154	Spring, torsion	1	1	1	1
11	5051	Wheel, 8" X 1.75" semi-pneumatic, with ball bearings (1 each)	2	2	2	2
	5052	Bolt kit, wheel, front (1 each)	2	2	2	2
12	5053	Wheel, 10" X 2.75" semi-pneumatic, with ball bearing (1 each)	2	2	2	2
	5054	Bolt kit, wheel, rear (1 each)	2	2	2	2
13	5168	Trunnion rod kit	1	1	1	1
14	0333	V-belt, B-33" special	1	1		
	0341	V-belt B-35" special			1	1
15	0330	V-pulley, B-3" O.D. X 3/4" bore	1	1		
	0331	V-pulley, B-3" O.D. X 1" bore			1	1
16	5472	Handle	1	1	1	1
	5470	Bolt kit, handle	1	1	1	1
17	5467	Clutch handle kit	1	1	1	1
18	5009	Cap, plastic flat	1	1	1	1
19	5130	Spring, clutch handle	1	1	1	1
20	5452	Arm, mounting, idler pulley	1	1	1	1
21	0343	Pulley, idler 2 3/4" O.D.	1	1	1	1
22	5453	Pulley kit, idler includes 5452, 5129, 0343 and hardware	1	1	1	1
	5140	Belt keeper kit, includes hardware	1	1	1	1
23	5129	Spring, clutch rod	1	1	1	1
24	5481	Link kit, clutch adjustment	1	1	1	1
25	5482	Shield assembly with bolts and washers	1	1	1	1
	5410	Housing, for 405 and 407	1	1	1	1
26	5002	Shaft kit, 4 each with C clips	1	1	1	1
27	5170	Rotor, flail, without blades and shafts	1	1	1	1
	5485	Rotor assembly, complete without bearings	1	1	1	1
	5490	Rotor assembly, complete with bearings	1	1	1	1
28	5005	Cap, plastic, 3/4" I.D.	1	1	1	1
29	5401	Blade set, flail, 36 each, 3/8" x 4"	1	1	1	1
	5403	Blade and shaft set, 5401 and 5002 in one package	1	1	1	1
30	5404	Spacer set, rubber, 32 each	1	1	1	1
31	0315	Bearing, 3/4" with locking collar (1 each)	2	2	2	2
32	5185	Stamping kit, for 3/4" bearing, with bolts, nuts and washers (1 each)	2	2	2	2
33	0347	Bushing, 3/4" bore, with screws	1	1	1	1
34	0344	V-pulley, B-4.5" O.D., without bushing	1	1	1	1
35	5469	V-pulley, B-4.5" O.D. with 3/4" bushing	1	1	1	1
36	5465	Frame, catcher bag	1	1	1	1
37	5464	Catcher bag	1	1	1	1
38	5461	Platform, without casters	1	1	1	1
	5460	Platform, with casters	1	1	1	1
39	5462	Caster kit with nuts and washers (1 each)	2	2	2	2
40	5489	Chute extension kit with bolts	1	1	1	1
41	5496	Neoprene, 3/16" x 2 3/4" x 20 1/2"	1	1	1	1
42	0351	Retaining clip	8	8	8	8
	8517	Decal kit, 405 and 140	1	1		
	8525	Decal kit, 407 and 240			1	1
	0727	Paint, blue 12.5 oz. spray can				
	0728	Paint, blue 1 qt. can				

Drawing TLC240 w/Flail Reel or Delta Reel

Please Order by Part Number



Parts TLC240 w/Flail Reel or Delta Reel

NOTE: Quantity refers to Quantity used in a complete machine

Item no.	Part no.	Description	TLC240	TLC240 w/Delta
1	5730	Frame	1	1
2	5700	Housing	1	1
3	5767	Torque arm assembly, height adjustment	1	1
4	5768	Link kit, lifting arm	1	1
5	5770	Knob kit, height adjustment	1	1
6	5721	Lock lever, height adjustment	1	1
7	5771	Hardware kit, height adjustment	1	1
	5769	Height adjustment kit, contains 5770, 5721, and 5771	1	1
8	0027	Knob, black plastic 2 3/8"	1	1
9	5772	Tow bar	1	1
10	5773	Connecting rod kit	1	1
11	5774	Caster, 6" with bolt kit (1 each)	2	2
12	5053	Wheel, 10" x 2.75 (1 each)	2	2
	5776	Bolt kit, wheel, rear	1	1
13	0331	V-pulley, B-3" O.D. x 1" bore	1	1
14	0340	V-belt, B-38" special	1	1
15	5450	Belt keeper	1	1
16	5778	Clutch activator rod	1	1
17	5779	Clutch link assembly w/nut and pin	1	1
18	5780	Clutch push rod assembly w/washer and pin	1	1
19	5129	Spring, clutch rod	1	1
20	5121	Arm, idler pulley	1	1
21	0355	Pulley, idler 2 1/4" O.D.	1	1
22	5781	Pulley kit, idler contains 5121, 0355, bolt, nuts and washers	1	1
23	5782	Bracket, lifting	1	1
24	5783	Shield assembly w/bolts and washers	1	1
25	5789	Shaft set, 4 ea w/clips	1	
26	5775	Rotor, flail	1	
	5790	Rotor assembly w/blades	1	
	5791	Rotor assembly w/blades, bearings and stampings	1	
27	5006	Cap, plastic 1" I.D.	1	1
28	5784	Blade set, 48 ea 1/8" x 4"	1	
29	5785	Spacer set, rubber, 44 each	1	
30	0317	Bearing, 1" with lock collar (1 each)	2	2
31	5786	Stamping kit, 1" bearing, w/bolts, nuts and washers (1 each)	2	2
32	0348	Bushing 1" bore with screws	1	1
33	0349	V-pulley, B-6.3" O.D.	1	1
34	5787	V-pulley, B-6.3" O.D. with bushing	1	1
35	5761	Deflector, neoprene	1	1
36	5792	Strap kit, with bolts, for deflector	1	1
37	5795	Delta reel assembly, without blades		1
	5990	Delta reel assembly complete without bearings		1
	5995	Delta reel assembly complete with bearings		1
38	5997	Blade set, Delta, 26 each		1
39	5991	Bolt kit, blade, 52 each with nuts		1
40	5796	Shaft, Delta reel with nut and washer		1
41	5793	Spacer, carrier, steel tube (1 each)		12
42	5797	End ring, steel (1 each)		2
43	5798	Plate, blade carrier (1 each)		26
44	5799	Plate, blade spacer (1 each)		13
	8516	Decal kit	1	1
	0727	Paint, blue 12.5 oz. spray can		
	0728	Paint, blue 1 quart can		