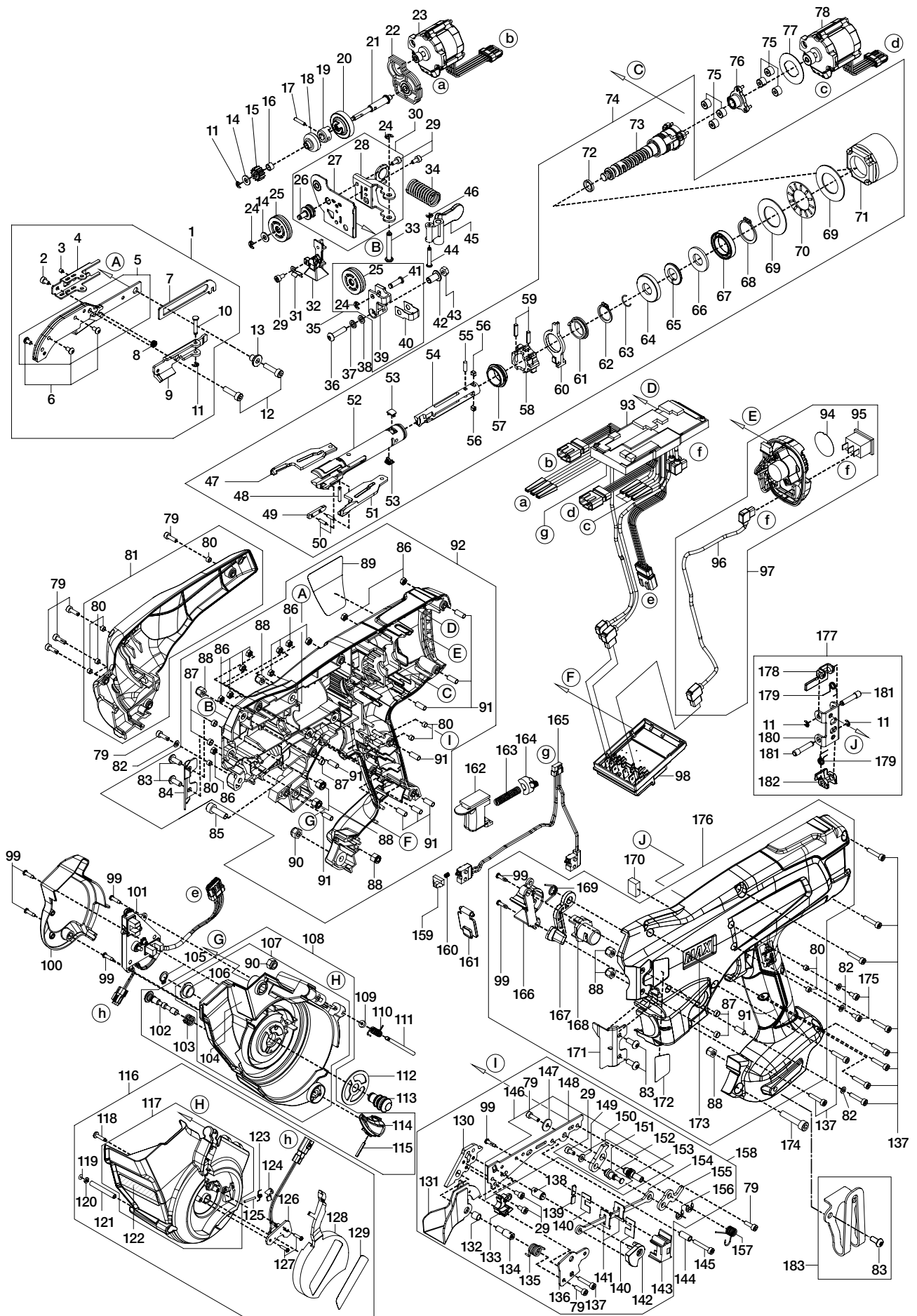


RB441T

EXPLODED
VIEW AND SPARE PARTS LIST

DESPIECE DE LA MAQUINA Y LISTA
DE RECAMBIOS

SCHEMA ECLATE ET LISTE DES
PIECES DE RECHANGE



| Part NO | Part Code | Description |
|---------|-----------|-------------------------|
| 1 | RB70618 | ARM A ASSY |
| 2 | BB40481 | BOLT 3X5 |
| 3 | AA71408 | SCREW 3 X 3 |
| 4 | RB12633 | WIRE GUIDE BASE |
| 5 | RB81278 | ARM A UNIT |
| 6 | BB41714 | BOLT 3X5 SG |
| 7 | RB12636 | WIRE GUIDE LEVER |
| 8 | KK29117 | COMPRESSION SPRING 9117 |
| 9 | RB70620 | WIRE GUIDE UNIT |
| 10 | FF41865 | STEP PIN 1865 |
| 11 | JJ10113 | E-RING 2.5 |
| 12 | BB40420 | BOLT 4 X 16 |
| 13 | FF52115 | HOLLOW PIN 2115 |
| 14 | EE39861 | WASHER 4.3X9X1 |
| 15 | RB10770 | FEED GEAR A |
| 16 | FF51715 | HOLLOW PIN 1715 |
| 17 | FF31559 | PIN 1559 |
| 18 | RB12740 | SHAFT COLLAR |
| 19 | RB12653 | CLUTCH B |
| 20 | RB12651 | CLUTCH A |
| 21 | RB12652 | FEEDING GEAR SHAFT A |
| 22 | RB70700 | FEEDING MOTOR BASE UNIT |
| 23 | RB70627 | FEEDING MOTOR |
| 24 | JJ10514 | E-RING 3 CF |
| 25 | RB70625 | FEEDING GEAR B UNIT |
| 26 | RB12655 | FEEDING GEAR SHAFT B |
| 27 | RB70698 | FEEDING GEAR BASE UNIT |
| 28 | RB12658 | SPRING BASE |
| 29 | BB40824 | BOLT 3X6 |
| 30 | RB81283 | FEEDING GEAR BASE ASSY |
| 31 | RB12659 | LEAF SPRING |
| 32 | RB70667 | WIRE GUDE C UNIT |
| 33 | FF41867 | STEP PIN 1867 |
| 34 | KK29119 | COMPRESSION SPRING 9119 |
| 35 | RB81293 | RELEASE LEVER A ASSY |
| 36 | BB41712 | BOLT 4X18 C |
| 37 | EE11103 | SPRING WASHER 2-4 |

| | | |
|----|---------|-------------------------|
| 38 | EE39825 | WASHER 4.5X7.4X0.8 |
| 39 | RB12682 | RELEASE LEVER A |
| 40 | RB12683 | RELEASE LEVER A CAP |
| 41 | FF41869 | STEP PIN 1869 |
| 42 | FF52117 | HOLLOW PIN 2117 |
| 43 | CC42512 | HEX NUT 1A M4 |
| 44 | FF41868 | STEP PIN 1868 |
| 45 | RB12657 | RELEASE LEVER B |
| 46 | JJ10510 | RETAINING RING 2.3 |
| 47 | RB12609 | HOOK L |
| 48 | RB12613 | CARBIDE PIN 2.5X14.8 |
| 49 | RB12616 | SLEEVE COVER |
| 50 | FF21267 | SPRING PIN 2X8 |
| 51 | RB12610 | HOOK R |
| 52 | RB12614 | SLEEVE A |
| 53 | RB12712 | KEY |
| 54 | RB12611 | CENTER HOOK |
| 55 | FF31718 | PARALELL PIN 1718 |
| 56 | RB12713 | KEY B |
| 57 | RB12612 | SLEEVE GUIDE |
| 58 | RB12615 | SLEEVE B |
| 59 | FF21234 | W.S. PIN 3 X 12 CN65055 |
| 60 | RB12617 | CUTTER RING |
| 61 | RB12618 | CUTTER RING GUIDE |
| 62 | JJ21606 | C-RING 15 |
| 63 | JJ80901 | C-RING 11 |
| 64 | RB12714 | BUMPER GUIDE |
| 65 | RB12619 | BUMPER |
| 66 | EE39859 | WASHER 11.1X23.4X2 |
| 67 | LL11756 | BEARING 6803ZZ |
| 68 | JJ21603 | C-RING 20 |
| 69 | EE39865 | WASHER 20X35X1 |
| 70 | LL41003 | THRUST BEARING AXK1104 |
| 71 | RB12620 | INTERNAL GEAR |
| 72 | RB12720 | D RING |
| 73 | RB70699 | TIP AXIS A UNIT |
| 74 | RB70613 | TWIST ASSY |
| 75 | RB12622 | PLANETARY GEAR |

| | | |
|-----|---------|----------------------------------|
| 76 | RB70642 | SUN GEAR UNIT |
| 77 | RB12623 | WASHER, TWIST AXIS |
| 78 | RB70617 | TWISTING MOTOR |
| 79 | BB40425 | BOLT 3X10 |
| 80 | FF51817 | HOLLOW PIN 1817 |
| 81 | RB70684 | MOTOR COVER UNIT |
| 82 | EE32104 | WASHER 2-3 |
| 83 | BB41706 | BOLT 4X10 |
| 84 | RB12634 | COVER L(441T) |
| 85 | BB40310 | HEX BOLT 5X16 |
| 86 | CC41104 | HEX.NUT 1-3 |
| 87 | FF51710 | HOLLOW PIN 1710 |
| 88 | CC49308 | HEX. NUT M4 |
| 89 | RB12690 | SPECIFICATION LABEL |
| 90 | CC49411 | SPECIAL NUT M5(REPLACES TA15554) |
| 91 | FF51714 | HOLLOW PIN 1714 |
| 92 | RB70685 | FRAME L ASSY |
| 93 | RB81280 | MAIN CURCUIT BOARD UNIT |
| 94 | RB12687 | LABEL |
| 95 | ZS00034 | MAIN SWITCH (441) |
| 96 | RB70626 | POWER CORD ORANGE UNIT |
| 97 | RB70637 | SWITCH BASE ASSY |
| 98 | RB70697 | ELECTRODE UNIT |
| 99 | AA05952 | SCREW 2.6X10 |
| 100 | RB12674 | MAGAZINE CAP |
| 101 | RB70640 | SENSOR CURCUIT BOARD F UNIT |
| 102 | RB12673 | MAGAZINE STOPPER SHAFT |
| 103 | KK24186 | COMPRESSION SPRING 4186 |
| 104 | RB12684 | WIRE OPERATION LABEL |
| 105 | JJ21601 | C-RING 8 |
| 106 | FF52116 | HOLLOW PIN 2116 |
| 107 | RB81286 | MAGAZINE UNIT |
| 108 | RB81294 | MAGAZINE SUB ASSY |
| 109 | EE39609 | RUBBER WASHER 1.8X6X2 |
| 110 | KK34098 | TORSION SPRING 4098 |
| 111 | FF43419 | STEP PIN 3419 |
| 112 | RB12715 | MAGAZINE PLATE |
| 113 | RB12671 | ROTARY SHAFT |

| | | |
|-----|---------|-----------------------------|
| 114 | RB12672 | MAGAZINE STOPPER |
| 115 | FF21629 | SPRING PIN 2X14 |
| 116 | RB81289 | MAGAZINE COVER ASSY |
| 117 | RB81284 | MAGAZINE COVER UNIT |
| 118 | AA05560 | SCREW 3X12 CF |
| 119 | HH14169 | O-RING AS 568-003 1A |
| 120 | EE39860 | WASHER 5X2.6X1 |
| 121 | FF51713 | HOLLOW PIN 1713 |
| 122 | RB12706 | NOTICE LABEL |
| 123 | KK34097 | TORSION SPRING 4097 |
| 124 | RB12669 | REEL PRESS |
| 125 | FF31639 | PARALELL PIN 1639 |
| 126 | RB70641 | SENSOR CURCUIT BOARD G UNIT |
| 127 | AA31724 | SCREW 2X8 |
| 128 | RB12667 | MAGAZINE COVER CAP |
| 129 | RB12688 | 441T LABEL |
| 130 | RB12639 | CURL GUIDE B |
| 131 | RB70624 | CURL GUIDE A UNIT |
| 132 | FF51712 | HOLLOW PIN 1712 |
| 133 | RB70666 | WIRE GUDE B UNIT |
| 134 | RB12641 | CURL GUIDE SHAFT |
| 135 | KK34096 | TORSION SPRING 4096 |
| 136 | RB12644 | ARM C |
| 137 | BB40810 | BOLT 3X16 |
| 138 | RB12642 | FIXED CUTTER |
| 139 | RB12723 | CON-ROD GUIDE B |
| 140 | RB12721 | CON-ROD COVER |
| 141 | RB12722 | CON-ROD GUIDE A |
| 142 | RB12643 | CUTTER |
| 143 | RB12724 | CON-ROD BASE |
| 144 | FF51711 | HOLLOW PIN 1711 |
| 145 | BB40717 | BOLT 3X20 CF |
| 146 | RB70682 | ARM B UNIT |
| 147 | EE39857 | WASHER 3.2X11X1 |
| 148 | RB12637 | ARM B |
| 149 | EE39858 | WASHER 3.2X7X1 |
| 150 | RB12645 | CUTTER LEVER A |
| 151 | RB12648 | CUTTER PIN |

| | | |
|-----|---------|-------------------------|
| 152 | RB70683 | CUTTER LEVER A UNIT |
| 153 | RB12647 | CUTTER SHAFT |
| 154 | RB12649 | CON-ROD |
| 155 | RB12646 | CUTTER LEVER B |
| 156 | JJ10509 | E-RING 4 CF |
| 157 | KK33398 | TORSION SPRING 3398 |
| 158 | RB70621 | ARM B ASSY |
| 159 | RB12663 | SWITCH BLOCK |
| 160 | KK24191 | COMPRESSION SPRING 4191 |
| 161 | RB12815 | WINDOW |
| 162 | RB12080 | TRIGGER (397) |
| 163 | KK23656 | COMPRESSION SPRING 3656 |
| 164 | RB12101 | TRIGGER LOCK LEVER(397) |
| 165 | RB70623 | SWITCH HARNESS UNIT |
| 166 | RB12665 | RELEASE BUTTON BASE |
| 167 | RB12664 | RELEASE STOPPER |
| 168 | RB12662 | RELEASE BUTTON |
| 169 | KK33401 | TORSION SPRING 3401 |
| 170 | RB12725 | SPONGE |
| 171 | RB12635 | COVER R(441T) |
| 172 | RB12689 | WARNING LABEL |
| 173 | RB12661 | BRAND PLATE |
| 174 | BB40708 | BOLT 5X25 |
| 175 | BB40716 | BOLT 3X6 CF |
| 176 | RB70629 | FRAME R ASSY(441T) |
| 177 | RB70616 | JAW BASE ASSY |
| 178 | RB12627 | JAW B |
| 179 | KK33249 | TORSION SPRING 3249 |
| 180 | RB12625 | JAW BASE |
| 181 | FF41864 | STEP PIN 1864 |
| 182 | RB12626 | JAW A |
| 999 | RB81184 | BELT HOOK ASSY |