

REVISED STARTING
SERIAL # 090810097

PARTS LIST MANUAL

MODEL BB14G



SHOWN WITH OPTIONAL PROCART

14" GASOLINE POWERED PORTABLE MASONRY SAWS

SKU #	MODEL #	POWER OPTION
26300	BB14G-5.5H	HONDA GX160 W/ CYCLONE AIR CLEANER
26400	BB14G-6.5H	HONDA GX200 W/ CYCLONE AIR CLEANER
26500	BB14G-9H	HONDA GX270 W/ CYCLONE AIR CLEANER
26700	BB14G-6S	SUBARU ROBIN EX17 W/ CYCLONE AIR CLEANER
26800	BB14G- 7S	SUBARU ROBIN EX21 W/ CYCLONE AIR CLEANER
26900	BB14G-9S	SUBARU ROBIN EX27 W/ CYCLONE AIR CLEANER



A Division of Equipment Development Company, Inc.

100 Thomas Johnson Drive, Frederick, MD 21702-4600 USA
 Phone (301) 663-1600 • 1-800-638-3326
 Fax (301) 663-1607 • 1-800-447-3326
 Website: www.edcoinc.com • Email: sales@edcoinc.com

Printed in USA
 ©2009

READ AND UNDERSTAND THE OPERATORS INSTRUCTION MANUAL THOROUGHLY BEFORE ATTEMPTING TO OPERATE THIS EQUIPMENT. Death or serious injury could occur if this machine is used improperly.



SAFETY MESSAGES



The safety instructions are preceded by a graphic alert message of DANGER, WARNING, or CAUTION.



Indicates an imminent hazard which, if not avoided, will result in death or serious injury.



Indicates an imminent hazard which, if not avoided, can result in death or serious injury.



Indicates hazards which, if not avoided, could result in serious injury and or damage to the equipment.

GASOLINE Powered Equipment



- Do not operate gasoline powered equipment without adequate ventilation. Carbon monoxide is an invisible, odorless gas that can kill.

ELECTRICAL Powered Equipment



- ELECTRICAL HAZARD** - Be sure equipment is properly grounded. Failure to comply could kill or result in serious injury.



The engine exhaust from this product contains chemicals known to the State of California to cause cancer, birth defects or other reproductive harm.

GENERAL INSTRUCTIONS



- You must read and understand the operators instruction manual and all other manuals associated with this machine. For your safety and the safety of others around you, it is extremely important to fully understand how to operate this machine in the way it was intended. Different model machines or older/newer versions of the same model may have different parts and controls that you need to understand. If instructions are not readable or available DO NOT USE this machine and contact the factory for a replacement Manual.
- You must be able to physically handle the bulk weight and power of this machine. If not properly controlled this machine can cause death or serious injury.
- Do not operate this machine in an impaired mental state. You must be able to exercise good judgement and reactions to maintain a safe working environment.
- This is a "one person" machine which means only one operator can be operating the machine at any one time. For the safety of others, maintain a safe operating distance to other personnel. Your work area should be defined and appropriately marked so bystanders and coworkers do not stand or walk near this machine and end up seriously injured by flying debris or exposing them to harmful noise or dust.
- This equipment is for Commercial use. Although this is a "one person" machine your work team should understand how to shut this machine off and quickly get medical help if an accident strikes the operator.
- Keep all guards in place during operation. The guards are to provide protection from inadvertent contact with dangerous moving parts, pinch points, or hot surfaces.
- Wear appropriate Personal Protective Equipment (PPE) including safety glasses, safety boots, work gloves, respiratory protection, hearing protection, and head protection. Do not wear loose clothing that can get tangled in moving parts. Failure to do so could result in dismemberment or death. **Wear an approved respirator when removing hazardous materials or when grinding/cutting dry materials. Some dust particles such as concrete dust can contain silicate particles which can cause silicosis (a very serious lung disease). Contact NIOSH or OSHA for further details. When wet grinding/cutting, avoid contact with the concrete/asphalt slurry which can cause serious skin irritations.**
- You must maintain this machine per the maintenance schedule in the operator manual. Remember before adjusting, servicing, or fueling this machine, disconnect the source of power to the machine by disconnecting the spark plug (Gas models), or by unplugging the electrical power cord (electric models) or air hose (Pneumatic models) AT THE MACHINE so you can assure yourself it remains unplugged while you are working on it. Do not modify this machine. Use only genuine EDCO parts and accessories. Repairs and service should be performed by approved EDCO dealers or authorized technicians.
- You should look carefully around the area before you begin work so you can identify potential hazards such as deck inserts, pipes, columns, openings, electrical cords or outlets, or any other objects protruding from the slab surface.
- This machine has no brain so you must use your own. There is no substitute for safety. The safety decals on the machine are to serve as a reminder for information you must already know before you begin using this machine. Take a moment to reread the safety decals each time you use the machine. If your machine is missing any decals, contact the factory for a replacement (EDCO 1-800-638-3326).

PARTS LIST MANUAL

MODEL BB14G

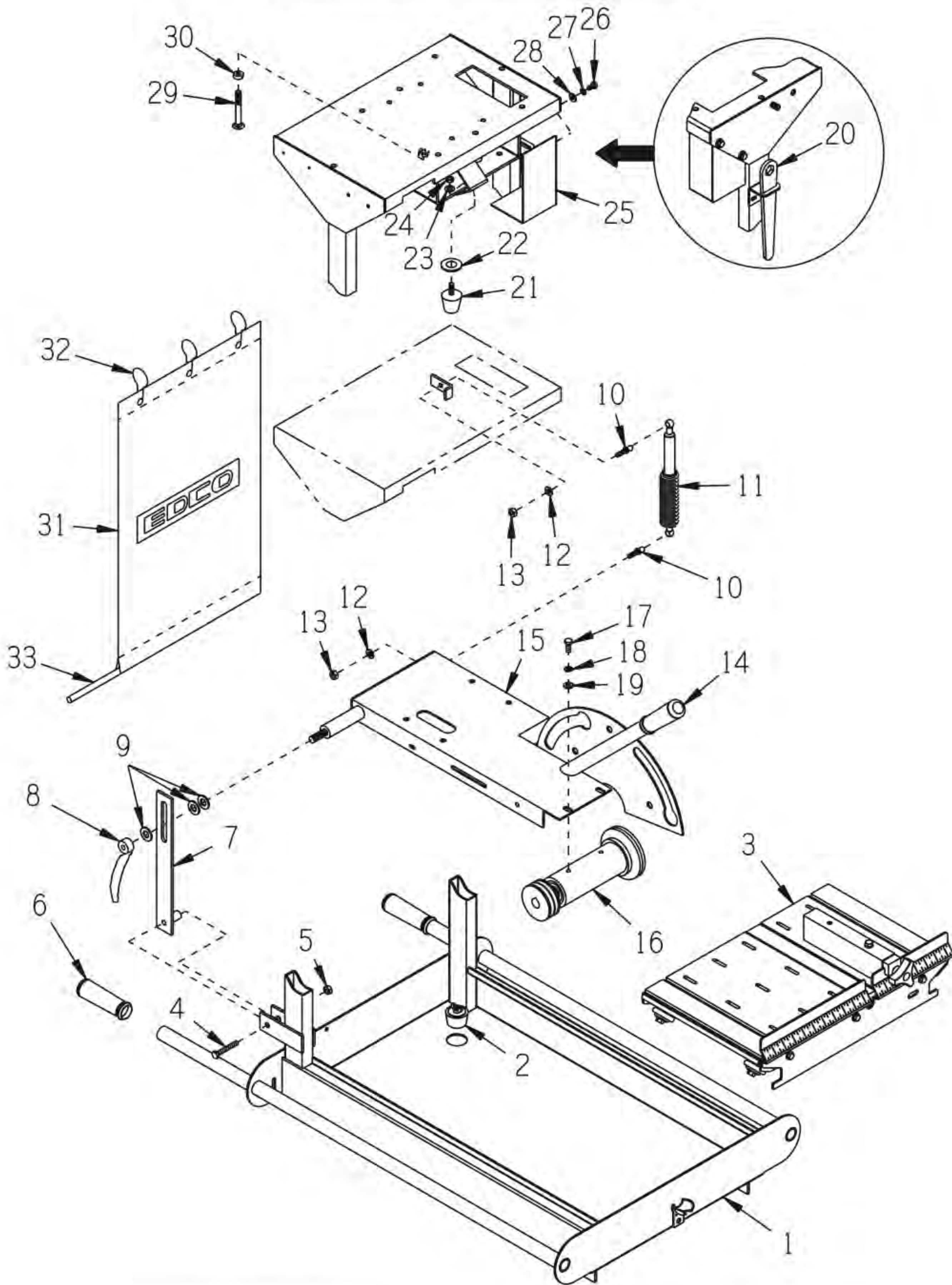
<u>Section</u>	<u>Page Number</u>
Safety Messages & General Instructions	2
How To Order Replacement Parts	3
Illustration 1 : Main Grouping	4,5
Illustration 2 : Arbor Assembly	6
Illustration 3 : Rolling Table Assembly	7
Illustration 4 : Water Pump & Blade Guard Grouping	8,9
Illustration 5 : Engine Grouping	10,11
Honda GX160 & GX200	
Subaru Robin EX17 & EX21	
Illustration 6: Engine Grouping	12,13
Honda GX270 & Subaru Robin	
Illustration 7 : Belt & Drive Shaft Grouping	14
Illustration 8 : Water Pump Assembly	15
Illustration 9 : Optional "Tote-A-Saw" Transport Wheels	16
Illustration 10: Optional ProCart	17
Illustration 11: Optional Stand & Foot Pedal Assembly	18
Illustration 12: Optional Vacuum Hood System	19
Limited Equipment Warranty of Sale - Terms & Conditions	20 - Back Page

HOW TO ORDER REPLACEMENT PARTS	FILL IN INFORMATION BELOW
<ul style="list-style-type: none"> <input type="checkbox"/> To insure product safety and reliability, always use genuine EDCO replacement parts when making repairs to the equipment. <input type="checkbox"/> When calling for parts, specify the MODEL and SERIAL number of the machine, which can be found on the NAME PLATE. Keep that information in the space provided. In addition to this information, give part number, description, and quantity as listed on the parts list to your parts representative. <input type="checkbox"/> Please note: Due to improvements and changes in the equipment, the illustrations shown may be different than the actual machine. 	<p>Date of Purchase _____</p> <p>Model # _____</p> <p>Serial # _____</p> <p>SKU # _____</p>

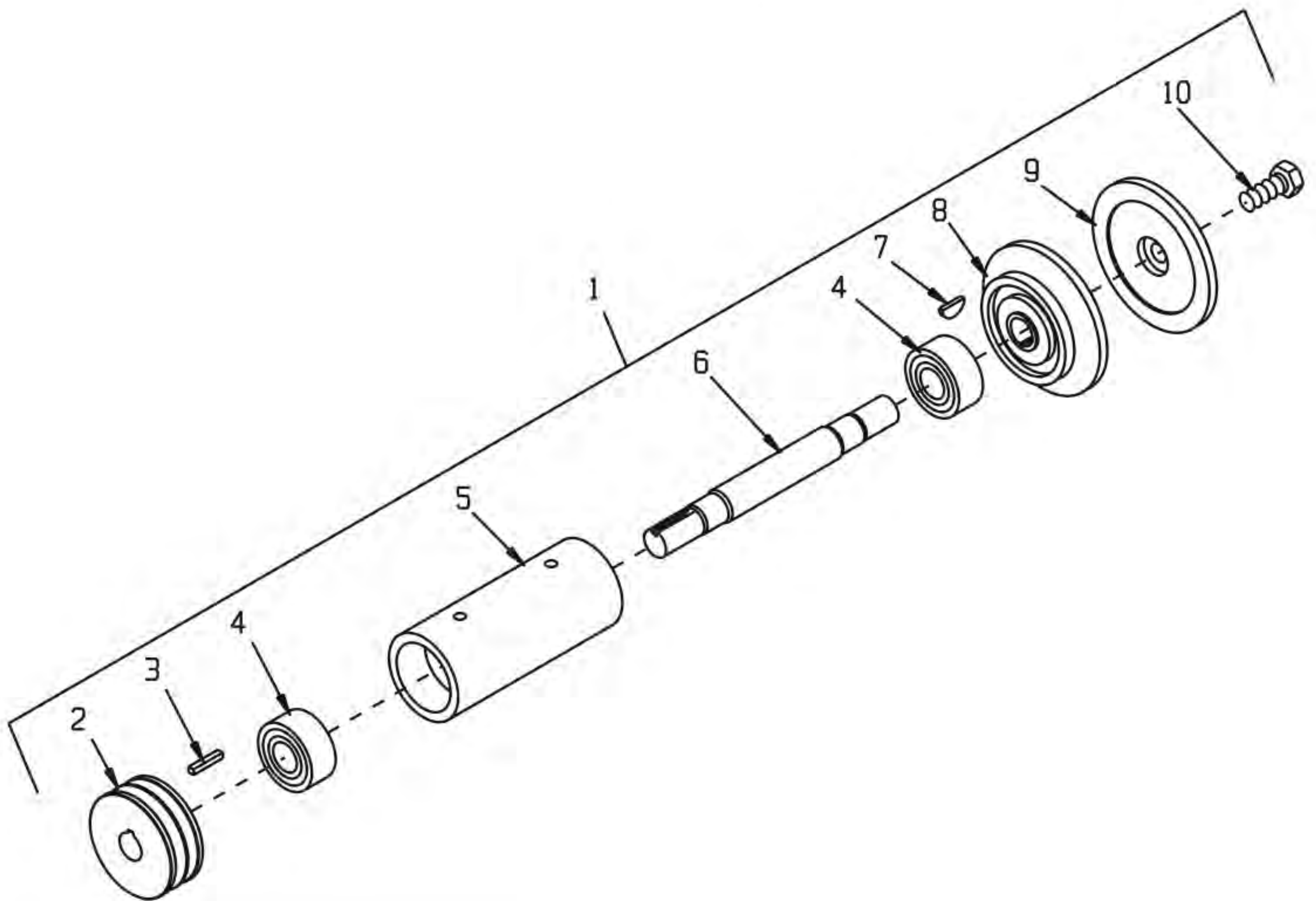


100 Thomas Johnson Drive, Frederick, MD 21702-4600 USA
 Phone (301) 663-1600 • 1-800-638-3326
 Fax (301) 663-1607 • 1-800-447-3326
 Website: www.edcoinc.com • Email: sales@edcoinc.com

ILLUSTRATION 1 : MAIN GROUPING

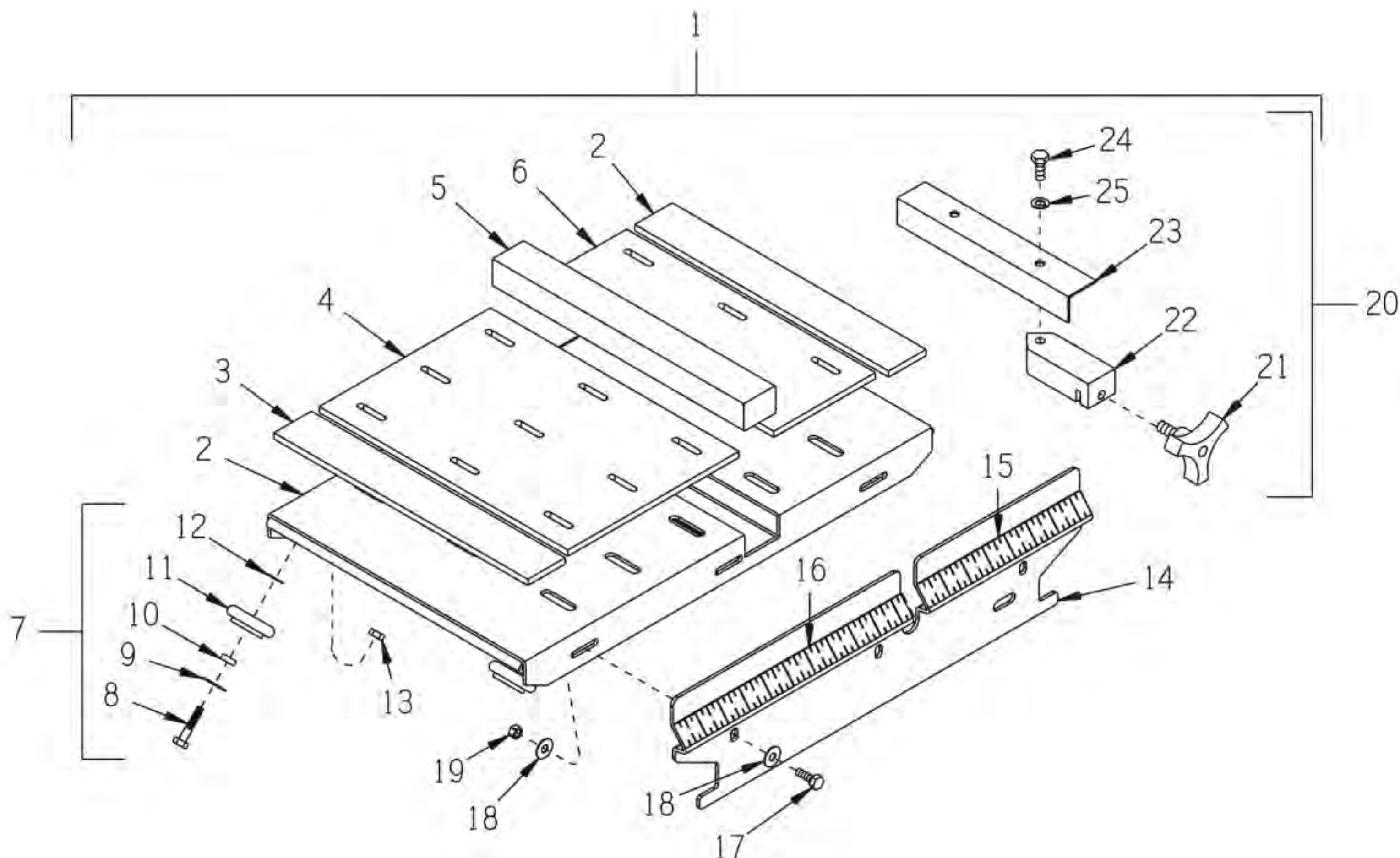


PARTS LISTING - ILLUSTRATION 1 : MAIN GROUPING			
ITEM #	PART #	DESCRIPTION	QTY.
1	40680	PAN/ENGINE DECK WELDMENT	1
2	40378	STOPPER ASSEMBLY 1-1/2"	1
3	40675A	TABLE COMPLETE, ROLLING (REFER TO ILLUS. 3)	1
4	10029	SCREW, CAP 3/8-24 X 1-3/4	1
5	10004	NUT, LOCK 3/8-24	1
6	10608	GRIP, HAND 1" MODEL AT	2
7	40609	LOCKING BAR, ARBOR HEIGHT	1
8	40358	NUT, TAIL HANDLE 1/2-13	1
9	10312	WASHER, FLAT 1/2 SAE	3
10	43011	STUD, 10MM BALL, 5/16-18 X .662	2
11	43010	SPRING ASSEMBLY, GAS (COMPLETE) <i>INDIVIDUAL REPLACEMENT PARTS:</i>	1
	43007	SPRING, GAS, 1629EM	1
	43008	BELLOWS, GAS SPRING (DUST BOOT)	1
	43009	CLIP, SAFETY, GAS SPRING	1
	10982	TIE, CABLE, BLACK NYLON 11-1/4"	2
12	10801	WASHER, LOCK 5/16	1
13	10054	NUT 5/16-18	1
14	10608	GRIP, HAND 1" MODEL AT	1
15	40606-1	DECK, ARBOR	1
16	40670A	ARBOR ASSY. W/ 2GR-3V SHEAVE (REFER TO ILLUS. 2)	1
17	10048	SCREW, CAP 5/16-24 X 3/4	4
18	10801	WASHER, LOCK 5/16	4
19	10213	WASHER, FLAT 5/16 SAE	2
20	53021	WRENCH, ARBOR, 3/4" BOX END	1
21	10931	MOUNT, TAPERED RUBBER 5/16-18	1
22	10009	WASHER, FLAT 3/4 SAE	1
23	10801	WASHER, LOCK 5/16	1
24	10054	NUT 5/16-18	1
25	40682	COVER, JACKSHAFT SHEAVE	1
26	10018	SCREW, CAP 1/4-20 X 3/4	2
27	10038	WASHER, LOCK 1/4	2
28	10602	WASHER, FLAT 1/4 SAE	2
29	10909	BOLT, CARRIAGE 3/8-16 X 3 FULL THD.	1
30	10404	NUT 3/8-16	1
31	40375	CURTAIN 15" X 28" W/ LOGO	1
32	40376	HOOK, CURTAIN	3
33	40377	CURTAIN ROD 1/2"DIA. X 13"L	1

ILLUSTRATION 2 : ARBOR ASSEMBLY

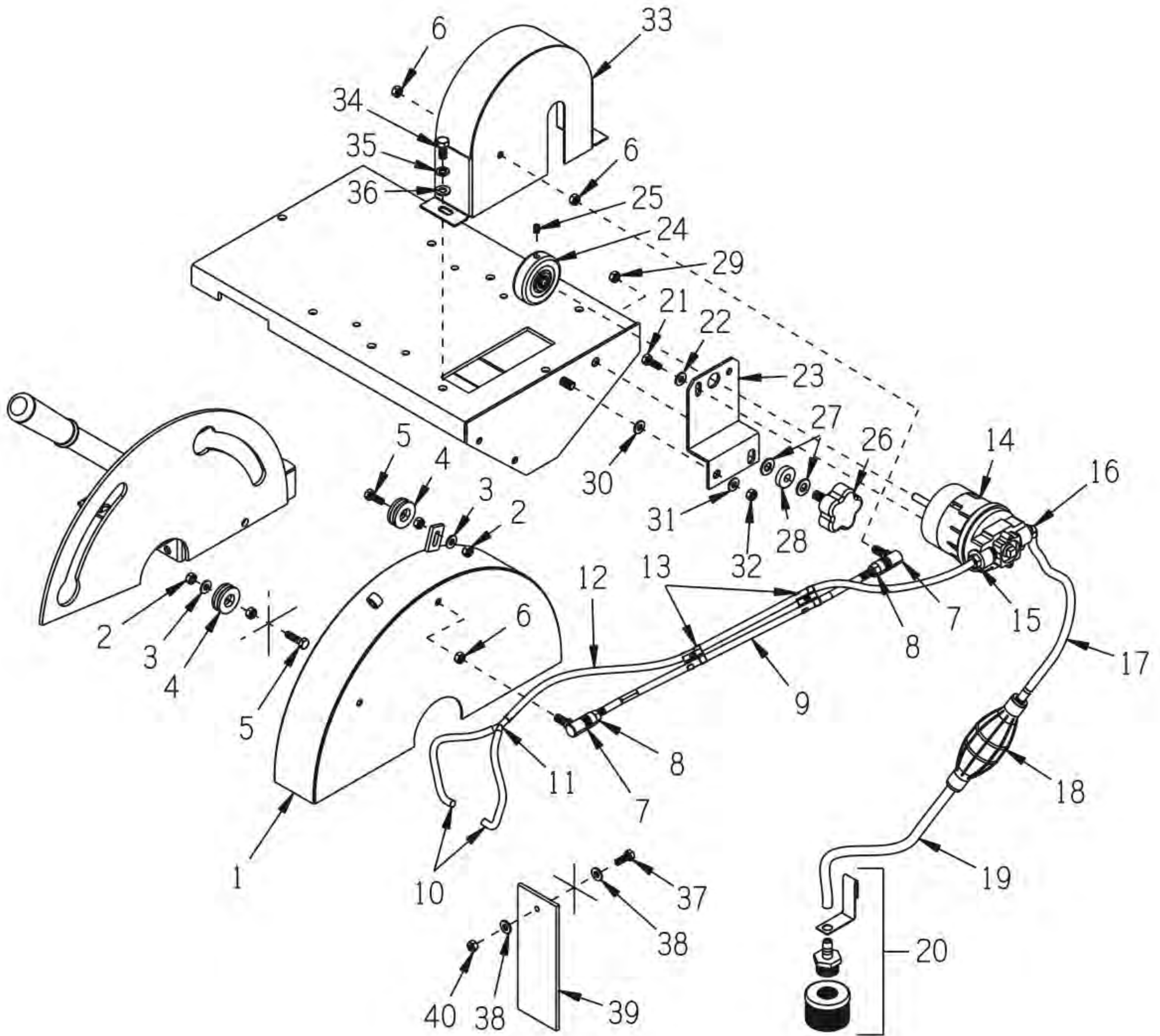
ITEM #	PART #	DESCRIPTION	QTY.
1	40670A	ARBOR ASSY. W/ 2GR-3V SHEAVE (INCLUDES ITEMS 2 THRU 10)	1
2	40694	SHEAVE 2.75"OD X 2GR.3V X 3/4"BORE	1
3	10016	KEY 3/16 SQ X 1-1/2	1
4	40018	BEARING, RADIAL BALL 20X47X20.6MM	2
5	40607	ARBOR HOUSING	1
6	40608	ARBOR SHAFT	1
7	40036	KEY, WOODRUFF 1/8 X 3/8 (#403)	1
8	40022	ARBOR BACKING PLATE 4"	1
9	40023	ARBOR BLADE CAP 4"	1
10	10321	SCREW, CAP 1/2-20 X 1-1/4	1

ILLUSTRATION 3 : ROLLING TABLE ASSEMBLY



ITEM #	PART #	DESCRIPTION	QTY.	ITEM #	PART #	DESCRIPTION	QTY.
1	40675A	TABLE COMPLETE, ROLLING (INCLUDES ITEMS 2 THRU 25)	1	14	40603	TABLE FRONT PANEL, ROLL	1
2	40679	RUBBER PAD 11-5/8 x 1-3/4 x 1/4	2	15	40424	RULE, ADHESIVE-BACKED, 1-7	1
3	40675	TABLE, ROLLING	1	16	40423	RULE, ADHESIVE-BACKED, 1-13	1
4	40676	RUBBER PAD 11-5/8 X 8	1	17	10018	SCREW, CAP 1/4-20 X 3/4	3
5	40678	WOODEN CUT BLOCK	1	18	10602	WASHER, FLAT 1/4 SAE	6
6	40677	RUBBER PAD 11-5/8 X 4-3/4	1	19	10861	NUT, KEPS 1/4-20	3
7	40605K	WHEEL KIT (ITEMS 8 THRU 13)	4	20	40689A	GUIDE ASSEMBLY, CUT (ITEMS 21 THRU 25)	1
8	10606	SCREW, CAP 5/16-18 X 1-1/4	4	21	40425	KNOB, 3-PRONG W/ 3/8-16 STUD	1
9	40667	WASHER .328ID X .875OD X .060	4	22	42015	BLOCK, CUT GUIDE	1
10	40668	SPACER 5/8OD X .328ID X .180	4	23	40689	BRACKET, CUT GUIDE	1
11	40605A	WHEEL W/ BEARING	4	24	10053	SCREW, CAP 5/16-18 X 3/4	1
12	36928	WASHER, FLAT 1/4 USS 3/4"OD	4	25	10801	WASHER, LOCK 5/16	1
13	10151	NUT, HEX NYLON LOCK 5/16-18	4				

ILLUSTRATION 4 : WATER PUMP & BLADE GUARD GROUPING



PARTS LISTING - ILLUSTRATION 4 : WATER PUMP & BLADE GUARD GROUPING

ITEM #	PART #	DESCRIPTION	QTY.
1	40615	GUARD, BLADE 14"	1
2	10015	NUT, LOCK 1/4-20	6
3	10602	WASHER, FLAT 1/4 SAE	3
4	40636	SLIDER GUIDE, BLADE GUARD	3
5	10031	SCREW, CAP 1/4-20 X 1	3
6	10424	NUT 5/16-24	3
7	40617	B.J. LINKAGE, QUICK-DISC. 5/16-24	2
8	10424	NUT 5/16-24	2
9	40616	ROD, BLADE GUARD LEVELER	1
10	40654	HOSE 1/4"ID X 6"L	2
11	99323	BARBED FITTING, "Y" 1/4"HOSE	1
12	40686	HOSE 1/4"ID X 23"L	1
13	40639	STRAP, TUBE/HOSE 5/16"-3/8"	2
14	40685	PUMP ASSY., WATER (REFER TO ILLUS. 8) INCLUDES ITEMS 15 & 16	1
15	40337	BARB, 1/4HOSE X 3/8MPT (BRASS)	1
16	36924	BARB ELBOW 90, 5/16HOSE X 3/8MPT (BRASS)	1
17	40368	HOSE 5/16"ID X 7"L	1
18	40049	BULB, PRIMER 5/16"	1
19	40687	HOSE 5/16"ID X 12"L	1
20	40690	FILTER ASSY., WATER (INCLUDES THE PARTS LISTED BELOW)	1
	40691	FILTER BASKET 3/4NPT, 16 MESH S.S.	1
	40692	BARB, 3/8HOSE X 3/4NPT (NYLON)	1
	40693	CLIP, FILTER HANGER (S.S.)	1
21	10018	SCREW, CAP 1/4-20 X 3/4	2
22	10602	WASHER, FLAT 1/4 SAE	2
23	40683	BRACKET, WATER PUMP	1
24	40684M	WHEEL, WATER PUMP DRIVE 3 X 5/16"B	1
25	10161	SCREW, SET 1/4-28 X 5/16	1
26	51230	KNOB, STAR CLAMPING 3/8-16 X 1"STUD	1
27	10025	WASHER, FLAT 3/8 SAE	2
28	42224	BUSHING, RUBBER 1"OD X 3/8"ID X 1/8	1
29	10810	NUT, LOCK 3/8-16	1
30	64159	SHIM 3/8 X 5/8 X .031	1
31	10025	WASHER, FLAT 3/8 SAE	2
32	10810	NUT, LOCK 3/8-16	1
33	40681	COVER, ENGINE BELT	1
34	10053	SCREW, CAP 5/16-18 X 3/4	2
35	10801	WASHER, LOCK 5/16	2
36	10213	WASHER, FLAT 5/16 SAE	2
37	10018	SCREW, CAP 1/4-20 X 3/4	1
38	10602	WASHER, FLAT 1/4 SAE	2
39	40012	FLAP, SPLASH 2-1/2 X 7	1
40	10015	NUT, LOCK 1/4-20	1



A Division of Equipment Development Company, Inc.

100 Thomas Johnson Drive, Frederick, MD 21702-4600 USA

Phone (301) 663-1600 • 1-800-638-3326

Fax (301) 663-1607 • 1-800-447-3326

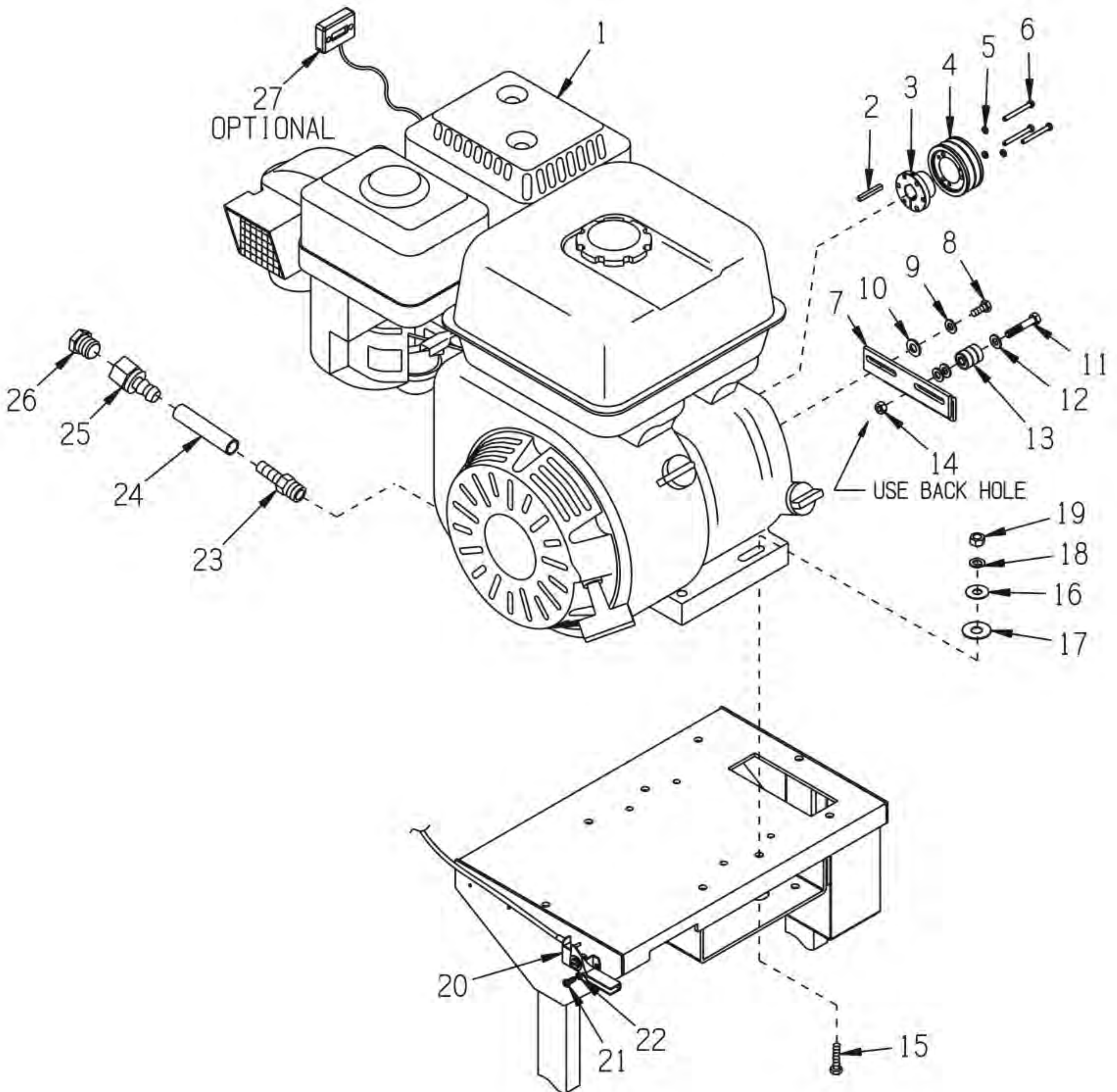
Website: www.edcoinc.com • Email: sales@edcoinc.com

Printed in USA

©2009

Page 9

ILLUSTRATION 5 : ENGINE GROUPING
HONDA GX160 & GX200
SUBARU ROBIN EX17 & EX21



**PARTS LISTING - ILLUSTRATION 5 : ENGINE GROUPING
HONDA GX160 & GX200
SUBARU ROBIN EX17 & EX21**

ITEM #	PART #	DESCRIPTION	QTY.
1	40387 15048 15061 15062	ENGINE W/ CYCLONE AIR CLEANER HONDA GX160 (SHOWN) HONDA GX200 SUBARU ROBIN EX17 SUBARU ROBIN EX21	1
2	-----	KEY 3/16"SQ X 1-1/2 (INCLUDED /W ENGINE)	1
3	40644	BUSHING, SHEAVE JA X 3/4"BORE	1
4	40695	SHEAVE 2.65"OD X 2GR.3V X JA	1
5	-----	WASHER, LOCK #10 (INCLUDED W/ ITEM 3)	3
6	40696	SCREW, HH CAP 10-24 X 1-3/4	3
7	40658	TENSIONER BRKT., BELT	1
8	10048	SCREW, CAP 5/16-24 X 3/4	2
9	10801	WASHER, LOCK 5/16	2
10	10213	WASHER, FLAT 5/16 SAE	2
11	10204	SCREW, CAP 5/16-18 X 1-3/4	1
12	10213	WASHER, FLAT 5/16 SAE	3
13	40391	BEARING, RADIAL BALL 5/16X7/8X11/32	3
14	10807	NUT, LOCK 5/16-18	1
15	10342	SCREW, CAP 5/16-18 X 1-1/2	4
16	10213	WASHER, FLAT 5/16 SAE	4
17	10025	WASHER, FLAT 3/8 SAE	4
18	10801	WASHER, LOCK 5/16	4
19	10054	NUT 5/16-18	4
20	40388	CABLE, THROTTLE, LEVER-TYPE 24"	1
21	10877	SCREW, CAP STSHW 10-24 X 1/2	2
22	10831	WASHER, LOCK, INT. TOOTH #10	2
23	11541 10657	BARB, PUSH-ON 3/8 HOSE X10MM X 1.25 MALE THD. (HONDA) 3/8 HOSE X 1/4MPT (SUBARU)	1
24	56116	HOSE, PUSH-ON 3/8"ID X 3"L	1
25	11544	BARB, PUSH-ON 3/8 HOSE X 1/4FPT	1
26	10776	PIPE PLUG 1/4 NPT (BRASS)	1
27	15138	METER, HOUR, REDINGTON INDUCTIVE (OPTIONAL)	1



A Division of Equipment Development Company, Inc.

100 Thomas Johnson Drive, Frederick, MD 21702-4600 USA

Phone (301) 663-1600 • 1-800-638-3326

Fax (301) 663-1607 • 1-800-447-3326

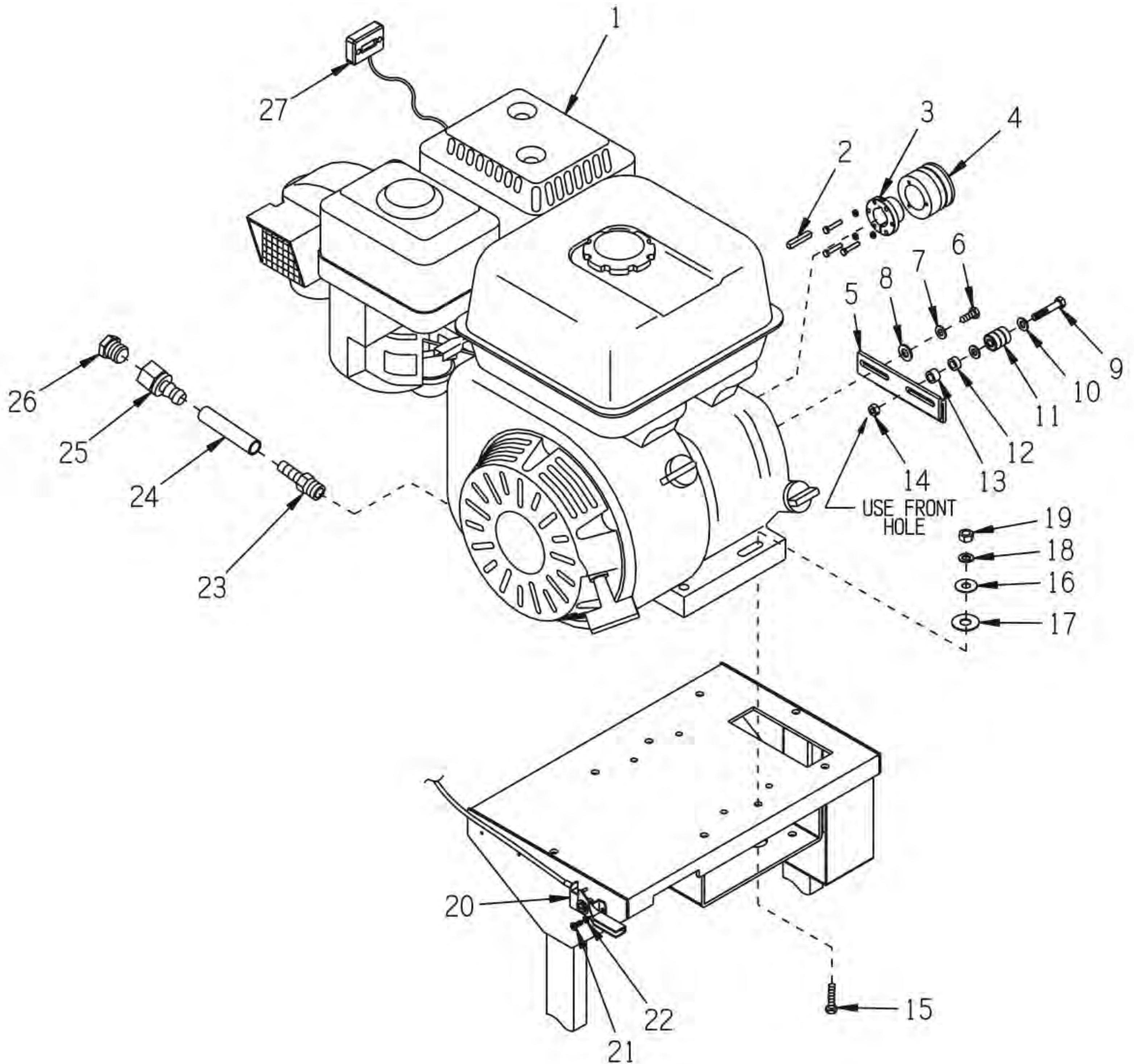
Website: www.edcoinc.com • Email: sales@edcoinc.com

Printed in USA

©2009

Page 11

**ILLUSTRATION 6 : ENGINE GROUPING
HONDA GX270 & SUBARU ROBIN EX27**



PARTS LISTING - ILLUSTRATION 6 : ENGINE GROUPING HONDA GX270 & SUBARU ROBIN EX27			
ITEM #	PART #	DESCRIPTION	QTY.
1	15027 15063	ENGINE W/ CYCLONE AIR CLEANER HONDA GX270 (SHOWN) SUBARU ROBIN EX27	1
2	-----	KEY 1/4"SQ X 1-3/4 (INCLUDED /W ENGINE)	1
3	10557	BUSHING, SHEAVE JA X 1"BORE INCLUDES SCREWS & LOCK WASHERS	1
4	40699	SHEAVE 2.35"OD X 2GR.3V X JA	1
5	40658	TENSIONER BRKT., BELT	1
6	10048	SCREW, CAP 5/16-24 X 3/4	2
7	10801	WASHER, LOCK 5/16	2
8	10213	WASHER, FLAT 5/16 SAE	2
9	10341	SCREW, CAP 5/16-18 X 2-1/4	1
10	10213	WASHER, FLAT 5/16 SAE	2
11	40391	BEARING, RADIAL BALL 5/16X7/8X11/32	3
12	10113	SPACER, STEEL 9/16OD X 3/8ID X 7/32	1
13	10011	SPACER, STEEL 5/8OD X 3/8ID X 3/8T	1
14	10807	NUT, LOCK 5/16-18	1
15	10204	SCREW, CAP 5/16-18 X 1-3/4	4
16	10213	WASHER, FLAT 5/16 SAE	4
17	10025	WASHER, FLAT 3/8 SAE	4
18	10801	WASHER, LOCK 5/16	4
19	10054	NUT 5/16-18	4
20	40388	CABLE, THROTTLE, LEVER-TYPE 24"	1
21	10877	SCREW, CAP STSHW 10-24 X 1/2	2
22	10831	WASHER, LOCK, INT. TOOTH #10	2
23	11542 10657	BARB, PUSH-ON 3/8HOSE X 12MM X 1.50 3/8 HOSE X 1/4MPT	1
24	56116	HOSE, PUSH-ON 3/8"ID X 3"L	1
25	11544	BARB, PUSH-ON 3/8 HOSE X 1/4FPT	1
26	10776	PIPE PLUG 1/4 NPT (BRASS)	1
27	15138	METER, HOUR, REDINGTON INDUCTIVE (OPTIONAL)	1



A Division of Equipment Development Company, Inc.

100 Thomas Johnson Drive, Frederick, MD 21702-4600 USA

Phone (301) 663-1600 • 1-800-638-3326

Fax (301) 663-1607 • 1-800-447-3326

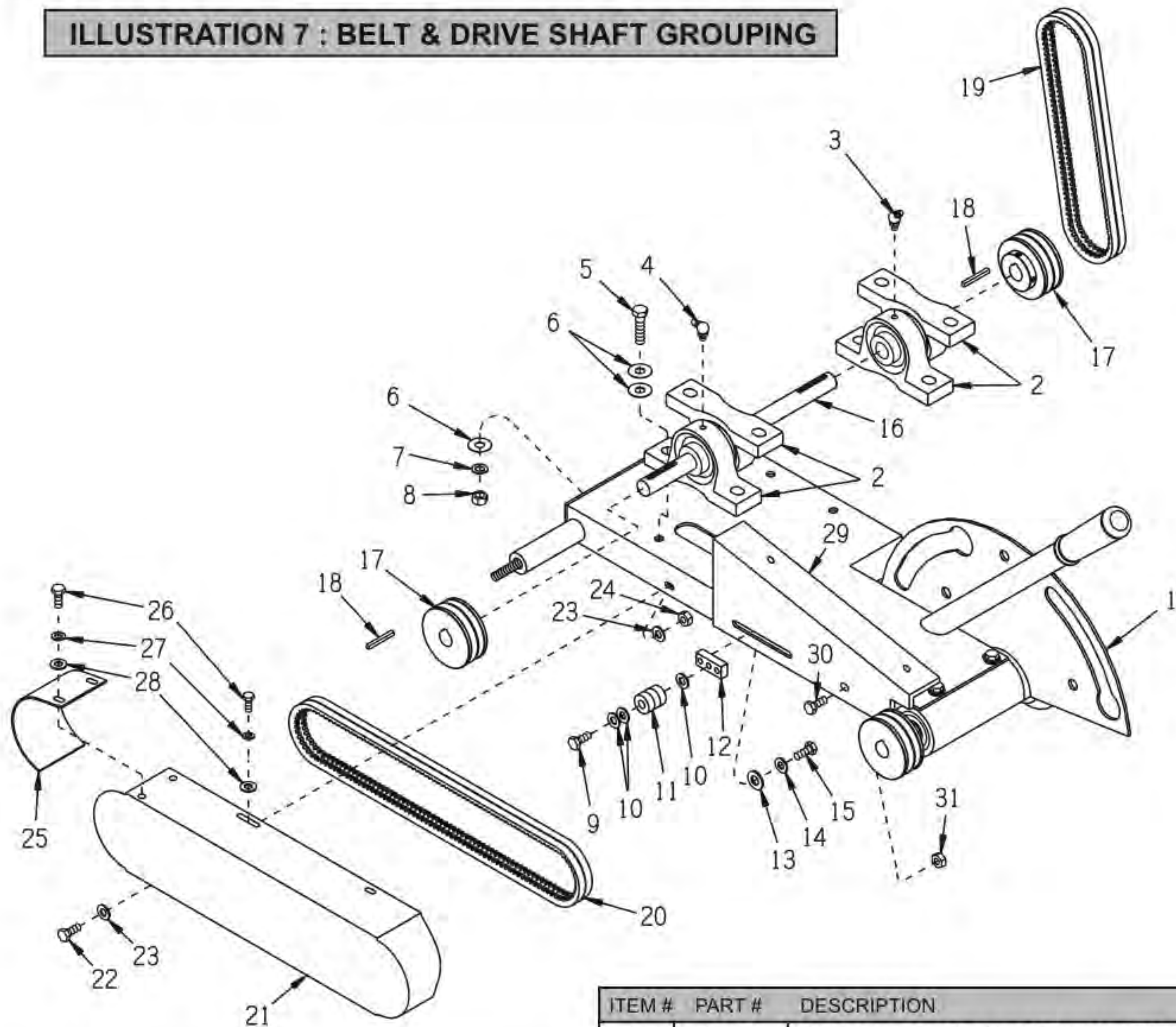
Website: www.edcoinc.com • Email: sales@edcoinc.com

Printed in USA

©2009

Page 13

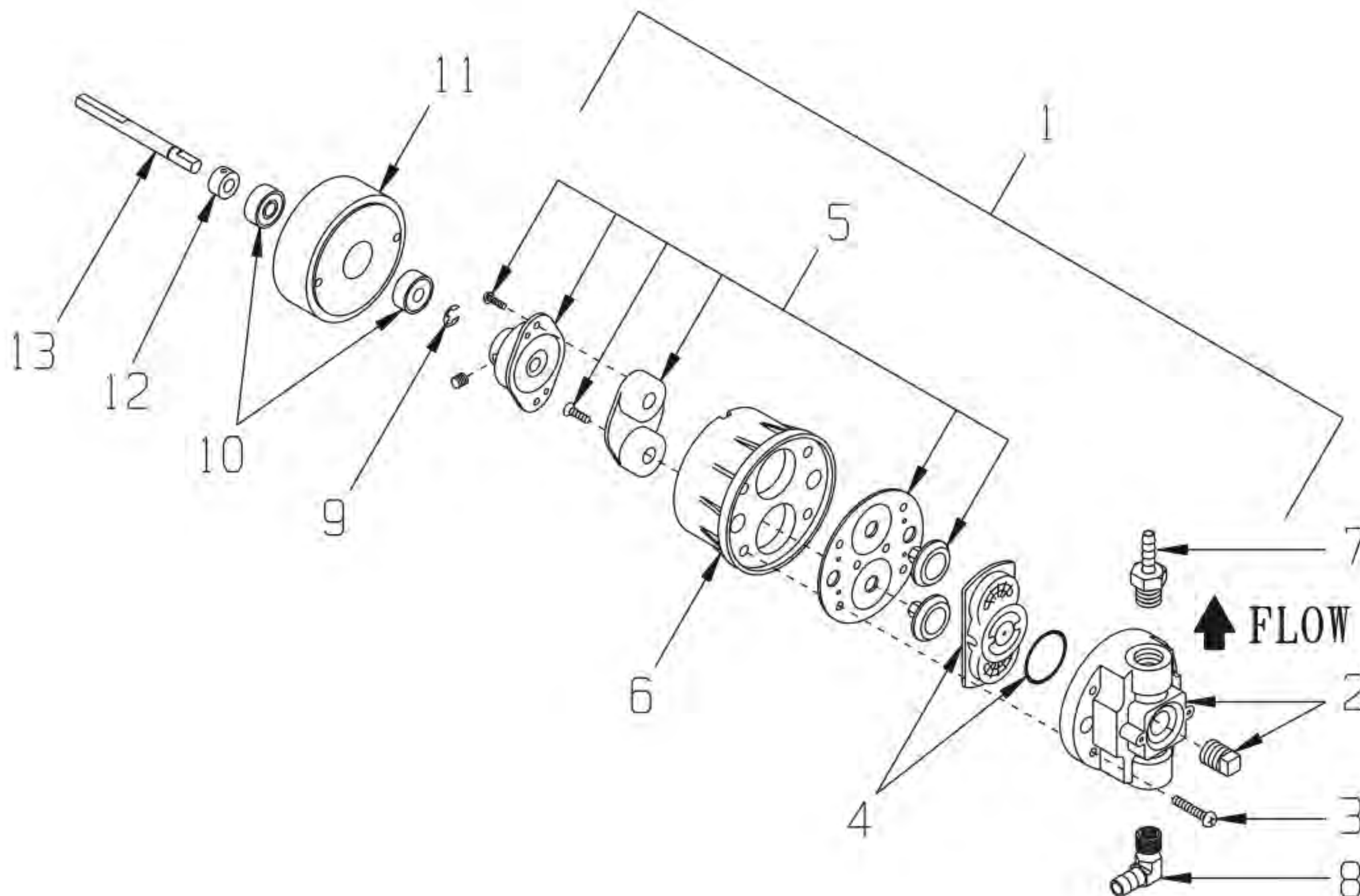
ILLUSTRATION 7 : BELT & DRIVE SHAFT GROUPING



ITEM #	PART #	DESCRIPTION	QTY.
1	40606	DECK, ARBOR	1
2	40629	BEARING, BALL 3/4" B	4
3	10960	FITTING, GREASE 1/4-28 X 45°	3
4	10961	FITTING, GREASE 1/4-28 X 90°	1
5	10816	SCREW, CAP 3/8-24 X 1-1/2	8
6	10025	WASHER, FLAT 3/8 SAE	16
7	10811	WASHER, LOCK 3/8	8
8	10014	NUT 3/8-24	8
9	10342	SCREW, CAP 5/16-18 X 1-1/2	1
10	10213	WASHER, FLAT 5/16 SAE	3
11	40391	BEARING, RADIAL BALL 5/16 X 7/8 X 11/32	3
12	40661	TENSIONER BAR, ARBOR BELT	1
13	10213	WASHER, FLAT 5/16 SAE	2
14	10801	WASHER, LOCK 5/16	2
15	10053	SCREW, CAP 5/16-18 X 3/4	2
16	40618	SHAFT, JACK 3/4 X 13-1/2" L	1

ITEM #	PART #	DESCRIPTION	QTY.
17	40694	SHEAVE 2.75" OD X 2GR.3V X 3/4" B	2
18	10016	KEY 3/16 SQ X 1-1/2	2
19	40697	BELT 3VX-265 (ENGINES LISTED BELOW) HONDA GX160 & GX200 SUBARU EX17 & EX21	2
	53022	3VX-280 (ENGINES LISTED BELOW) HONDA GX270 & SUBARU EX27	2
20	10258	BELT 3VX-375	2
21	40611	COVER, ARBOR BELT	1
22	10018	SCREW, CAP 1/4-20 X 3/4	1
23	10602	WASHER, FLAT 1/4 SAE	2
24	10861	NUT, KEPS 1/4-20	1
25	40612	COVER END CAP, ARBOR BELT	1
26	10834	SCREW, CAP 1/4-20 X 1/2	4
27	10038	WASHER, LOCK 1/4	4
28	10602	WASHER, FLAT 1/4 SAE	4
29	40613	MOUNTING BRKT., BELT COVER	1
30	10053	SCREW, CAP 5/16-18 X 3/4	2
31	10807	NUT, LOCK 5/16-18	2

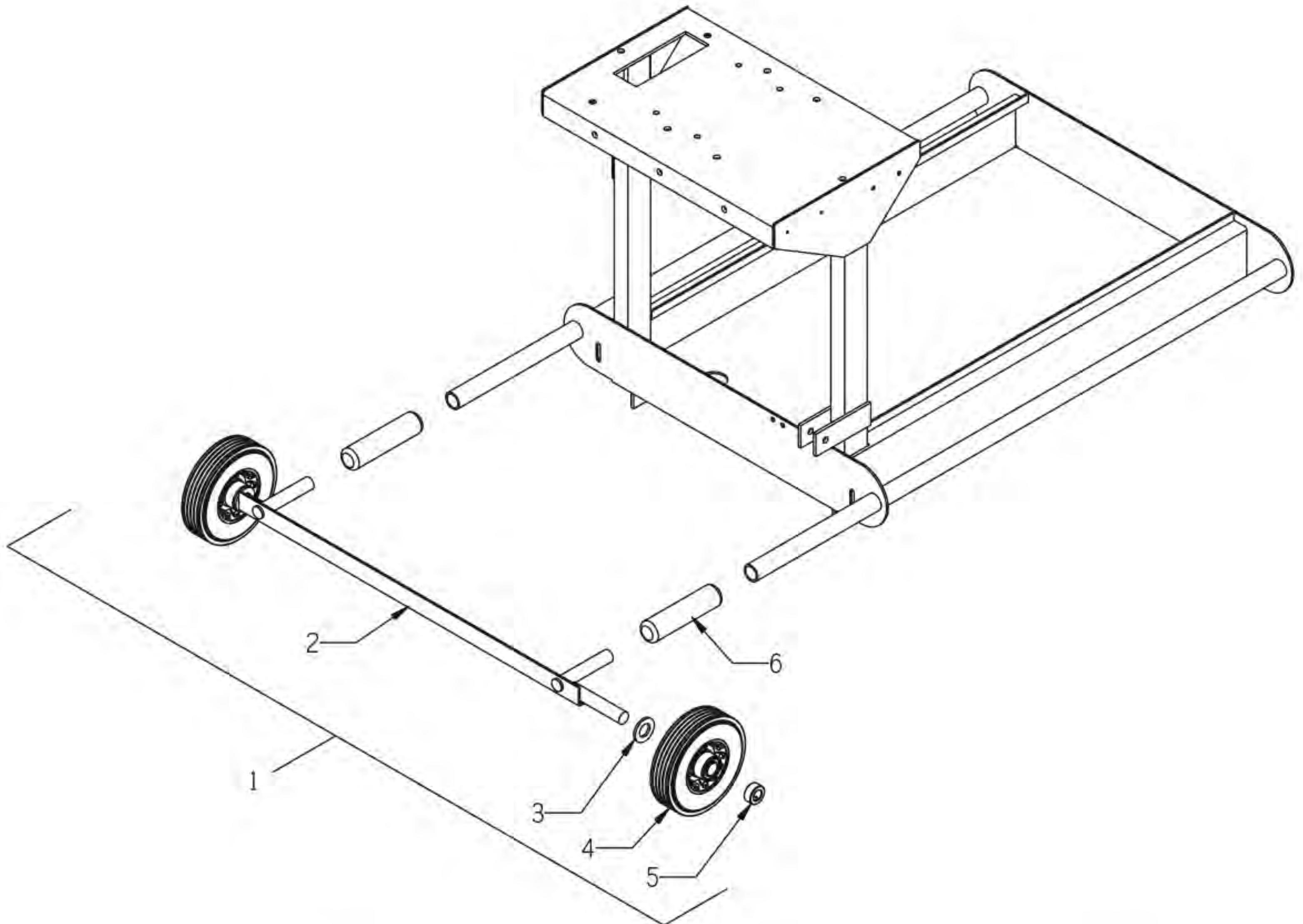
**ILLUSTRATION 8:
WATER PUMP ASSEMBLY
PART# 40685**



ITEM #	PART #	DESCRIPTION	QTY.
1	56101-S1	PUMP HEAD, DUPLEX 21050-653A	1
2	56101-S2	PUMP HOUSING BODY 20500-507	1
3	56101-S3	PUMP SCREWS (SET OF 6) 20131-001	1-SET
4	56101-S4	PUMP CHECK VALVE KIT 20028-008	1
5	56101-S5	PUMP DIAPHRAGM KIT W/ BRG 21004-401	1
6	56101-S6	PUMP HOUSING BEARING COVER 20428-100	1
7	40337	BARB, 1/4 HOSE X 3/8 MPT (BRASS)	1
8	36924	BARB ELBOW 90, 5/16 HOSE X 3/8 MPT (BRASS)	1
9	10137	RETAINING RING, E-CLIP 5/16"	1
10	40391	BEARING, RADIAL BALL 5/16 X 7/8 X 11/32	2
11	40393-S1	HUB, WATER PUMP	1
12	10415	COLLAR, LOCKING 5/16" ID	1
13	40393-S2	SHAFT, WATER PUMP 5/16 X 3-3/4	1

**ILLUSTRATION 9:
OPTIONAL "TOTE-A-SAW"
TRANSPORT WHEELS**

PART # 40091



ITEM #	PART #	DESCRIPTION	QTY.
1	40091	TOTE-A-SAW, BB14 SERIES (INCLUDES ITEMS 2 THRU 6)	1
2	40092	FRAME, TOTE-A-SAW	1
3	10009	WASHER, FLAT 3/4 SAE	2
4	80028	WHEEL 6 X 2 X 3/4"BRG.	2
5	10428	COLLAR, LOCKING 3/4"ID	2
6	61067	GRIP, FOAM 7/8"ID X 5"L	2

**ILLUSTRATION 10:
OPTIONAL PROCART**

PART # 24950

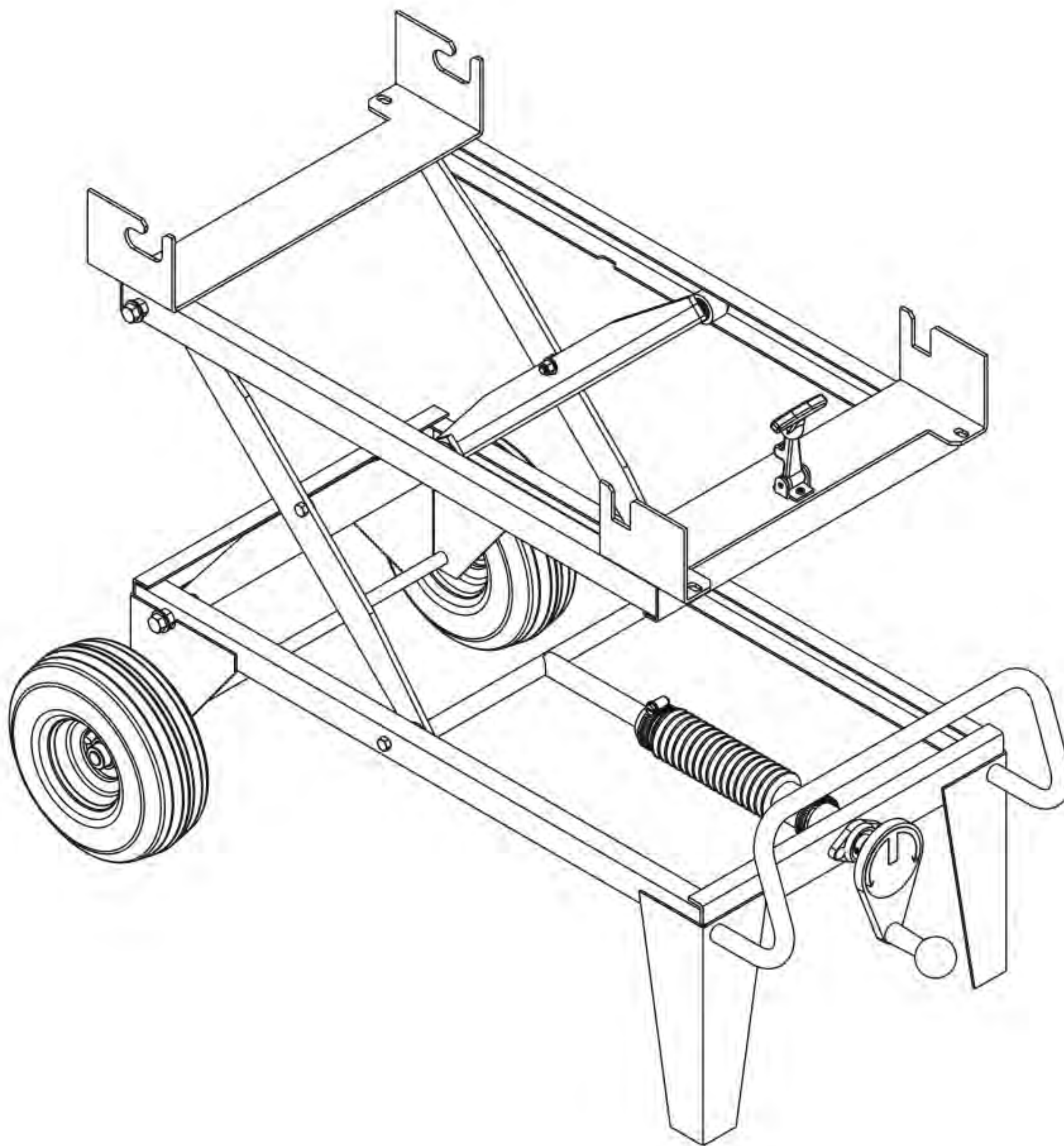
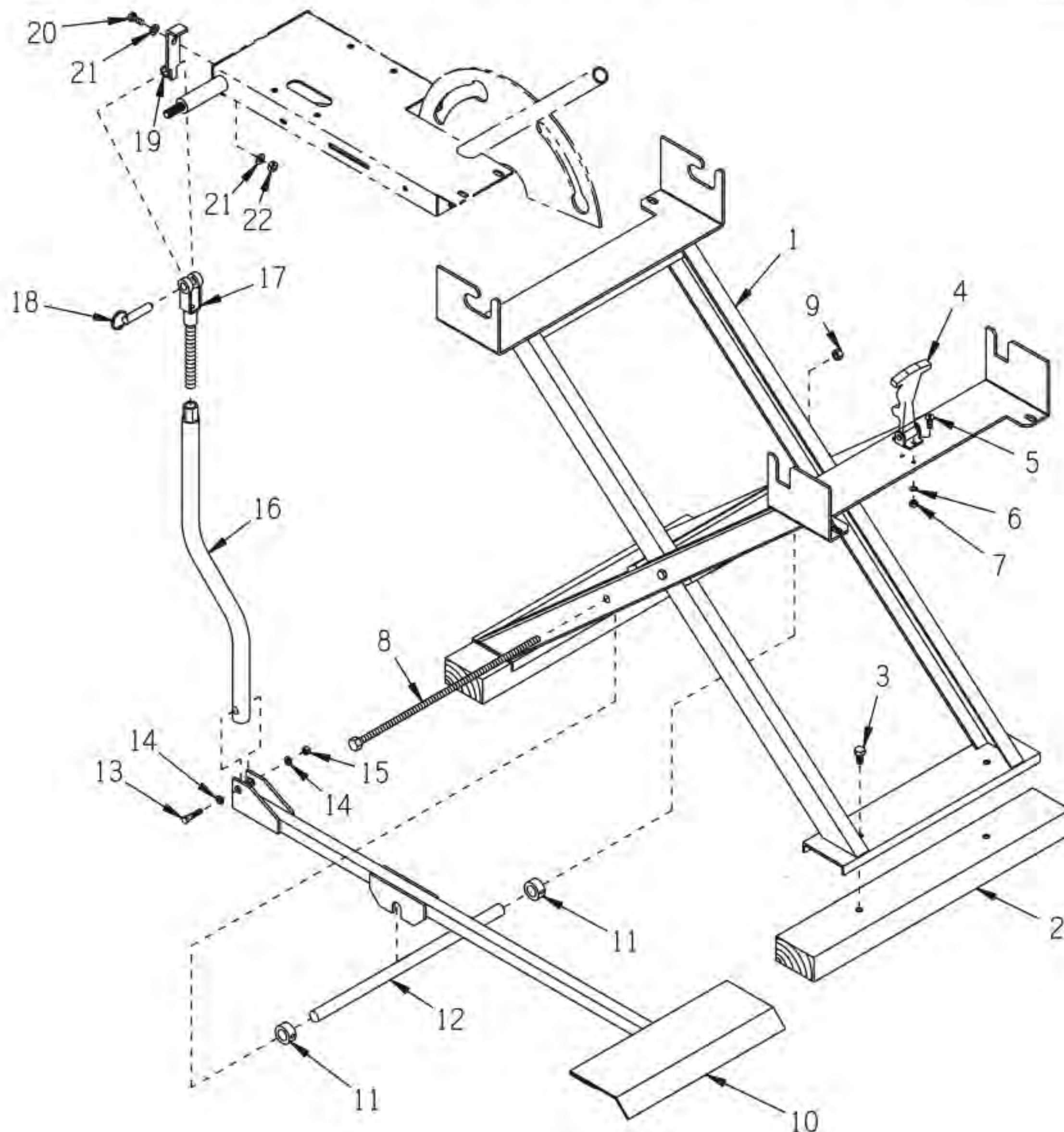
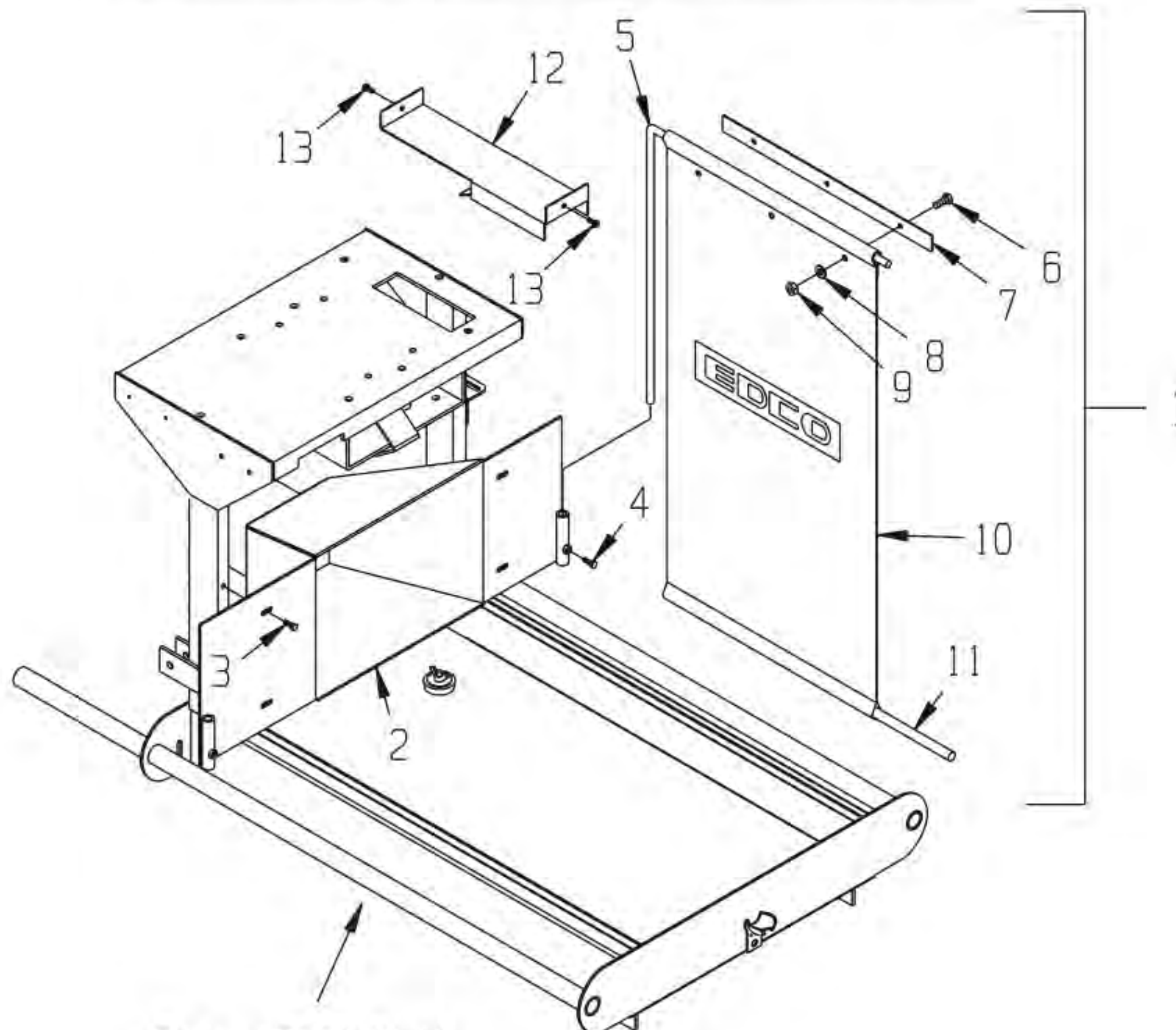


ILLUSTRATION 11 : OPTIONAL STAND & FOOT PEDAL ASSEMBLY

FOLDING STAND - PART #40631 (INCLUDES ITEMS 1-7)
 FOOT PEDAL KIT - PART #40632 (INCLUDES ITEMS 8-22)

ITEM #	PART #	DESCRIPTION	QTY.	ITEM #	PART #	DESCRIPTION	QTY.
1	40631W	STAND ONLY	1	12	40634	FOOT PEDAL PIVOT TUBE	1
2	21801	SKID BOARD 2 X 4 X 24"L	2	13	10029	SCREW, CAP 3/8-24 X 1-3/4	1
3	10367	BOLT, LAG 3/8 X 1	4	14	10025	WASHER, FLAT 3/8 SAE	2
4	52002	LATCH, FLEXIBLE DRAW T	1	15	10004	NUT, LOCK 3/8-24	1
5	10830	SCREW, MACHINE 10-32 X 1/2	2	16	40635	FOOT PEDAL LINKAGE	1
6	-----	WASHER (DISCONTINUED)		17	41019	LINKAGE, CLEVIS	1
7	10832	NUT, KEPS 10-32	2	18	10125	PIN, DETENT RING 1/2 X 1-1/2	1
8	40383	BOLT, ALLTHRD 1/2-13 X 17-1/2	1	19	40688	MOUNT, FOOT PEDAL LINKAGE	1
9	10407	NUT, LOCK 1/2-13	1	20	10806	SCREW, CAP 5/16-18 X 1	1
10	40633	FOOT PEDAL	1	21	10213	WASHER, FLAT 5/16 SAE	2
11	10428	COLLAR, LOCKING 3/4"ID	2	22	10807	NUT, LOCK 5/16-18	1

ILLUSTRATION 12 : OPTIONAL VACUUM HOOD SYSTEM

PAN ASSEMBLY
(NOT INCLUDED)

ITEM #	PART #	DESCRIPTION	QTY.
1	40660	VACUUM HOOD SYSTEM FOR BB14G (INCLUDES ITEMS 2 THRU 13)	1
2	40623	HOOD ONLY	1
3	10846	SCREW, CAP STSHW 1/4-20 X 1/2	4
4	10018	SCREW, CAP 1/4-20 X 3/4	2
5	41152	ROD, CURTAIN, DUST CONTROL SYSTEM	2
6	10018	SCREW, CAP 1/4-20 X 3/4	6
7	41153	BRACKET, CURTAIN	2
8	10602	WASHER, FLAT 1/4 SAE	6
9	10150	NUT, HEX NYLON LOCK 1/4-20	6
10	40375	CURTAIN 15" X 28" W/ LOGO	2
11	40377	CURTAIN ROD 1/2"DIA. X 13"L	2
12	40663	DEFLECTOR, DUST	1
13	10846	SCREW, CAP STSHW 1/4-20 X 1/2	2



100 Thomas Johnson Drive, Frederick, MD 21702-4600 USA
 Phone (301) 663-1600 • 1-800-638-3326
 Fax (301) 663-1607 • 1-800-447-3326
 Website: www.edcoinc.com • Email: sales@edcoinc.com

Printed in USA
 ©2009

LIMITED EQUIPMENT WARRANTY OF SALE – TERMS & CONDITIONS

Equipment Development Company, Inc. herein referred to as EDCO (Seller) warrants that each new unit manufactured by EDCO to be free from defects in material and workmanship in normal use and service for a period of (1) one year (except for the cutter drum assembly on all model concrete/asphalt planes, in which case the warranty period shall be 90 days) from date of shipment to the original retail or equipment rental center owner.

Accessories or equipment furnished and installed on the product by EDCO but manufactured by others, including, but not limited to engines, motors, electrical components, transmissions etc., shall carry the accessory manufacturers own warranty.

EDCO will, at its option, repair or replace, at the EDCO factory or at a point designated by EDCO, any part which shall appear to the satisfaction of EDCO inspection to have been defective in material or workmanship.

EDCO reserves the right to modify, alter and improve any part or parts without incurring any obligation to replace any part or parts previously sold without such modified, altered or improved part or parts.

This warranty is in lieu of and excludes all other warranties, expressed, implied, statutory, or otherwise created under applicable law including, but not limited to the warranty of merchantability and the warranty of fitness for a particular purpose in no event shall seller or the manufacturer of the product be liable for special, incidental, or consequential damages, including loss of profits, whether or not caused by or resulting from the negligence of seller and/or the manufacturer of the product unless specifically provided herein. In addition, this warranty shall not apply to any products or portions thereof which have been subjected to abuse, misuse, improper installation, maintenance, or operation, electrical failure or abnormal conditions and to products which have been tampered with, altered, modified, repaired, reworked by anyone not approved by seller or used in any manner inconsistent with the provisions of the above or any instructions or specifications provided with or for the product

FORCE MAJEURE

Seller's obligation hereunder are subject to, and Seller shall not be held responsible for, any delay or failure to make delivery of all or any part of the Product due to labor difficulties, fires, casualties, accidents, acts of the elements, acts of God, transportation difficulties, delays by a common carrier, inability to obtain Product, materials or components or qualified labor sufficient to timely perform part of or all of the obligations contained in these terms and conditions, governmental regulations or actions, strikes, damage to or destruction in whole or part of manufacturing plant, riots, terrorist attacks or incidents, civil commotions, warlike conditions, flood, tidal waves, typhoon, hurricane, earthquake, lightning, explosion or any other causes, contingencies or circumstances within or without the United States not subject to the Seller's control which prevent or hinder the manufacture or delivery of the Products or make the fulfillment of these terms and conditions impracticable. In the event of the occurrence of any of the foregoing, at the option of Seller, Seller shall be excused from the performance under these Terms and Conditions, or the performance of the Seller shall be correspondingly extended.

This document sets forth the terms and conditions pursuant to which the purchaser ("Purchaser") will purchase and Equipment Development Co. Inc. ("Seller") will sell the products, accessories, attachments (collectively the Products) ordered by the Purchaser. These terms and conditions shall govern and apply to the sale of Seller's Products to Purchaser, regardless of any terms and conditions appearing on any purchase order or other forms submitted by Purchaser to Seller, or the inconsistency of any terms therein and herein.

1. PRICE

All prices set forth on any purchase order or other document are F.O.B. Sellers facility or distribution point, as may be determined by Seller (F.O.B. Point). All prices are exclusive of any and all taxes, including, but not limited to, excise, sales, use, property or transportation taxes related to the sale or use of the Products, now or hereafter imposed, together with all penalties and expenses. Purchaser shall be responsible for collecting and/or paying any and all such taxes, whether or not they are stated in any invoice for the Products. Unless otherwise specified herein, all prices are exclusive of inland transportation, freight, insurance and other costs and expenses relating to the shipment of the Products from the F.O.B. point to Purchaser's facility. Any prepayment by Seller of freight insurance and other costs shall be for the account of Purchaser and shall be repaid to Seller.

2. PAYMENT TERMS

Payment terms are as follows. 2% 10 days (to approved and qualified accounts). Net 30 days. This is a cash discount for invoices paid within 10 days after the invoice date, regardless of date of receipt of shipment. This is not a trade discount and will not be granted to accounts that do not adhere to stated terms.

*All past due accounts are subject to a late payment fee of 1.5% per month or a maximum allowed by law if different, along with the expenses incidental to collection including reasonable attorney's fees and costs.

*Seller reserves the right to hold shipments against past due accounts.

*Seller reserves the right to alter payment terms.

3. FREIGHT TERMS

All shipments will be made F.O.B. shipping point as designated in these Terms and Conditions, and title shall pass at the F.O.B. point. Delivery to the initial common carrier shall constitute delivery to the Purchaser. Any claims for loss or damage during shipment are to be filed with carrier by the Purchaser. Seller will not assume responsibility for the performance of the carrier.

Back orders will be shipped in the most practical fashion with charges consistent with our freight policy established with the original order. UPS, FED EX, MAIL or shipments by other couriers are subject to the same terms and conditions as outlined in paragraph #3 "Freight Terms".

4. DELIVERY, DAMAGES, SHORTAGES

Seller shall use reasonable efforts to attempt to cause the Products to be delivered as provided for in these Terms & Conditions. Delivery to the initial common carrier shall constitute the delivery to the Purchaser. Seller's responsibility, in so far as transportation risks are concerned ceases upon the delivery of the Products in good condition to such carrier at the F.O.B. point and all the Products shall be shipped at the Purchaser's risk. Seller shall not be responsible or liable for any loss of income and/or profits, or incidental, special, consequential damages resulting from Seller's delayed performance in shipment and delivery.

5. RETURN OF DEFECTIVE PRODUCTS

Defective or failed material shall be held at the Purchaser's premises until authorization has been granted by Seller to return or dispose of Products. Products that are to be returned for final inspection must be returned Freight Prepaid in the most economical way. Credit will be issued for material found to be defective upon Seller's inspection based on prices at time of purchase.

6. PRODUCTS ORDERED IN ERROR

Products may be returned, provided that claim is made and Seller is notified within 7 days of receipt of Products, and the Products are in original buyer's possession not more than 30 days prior to return, subject to Seller's approval. If Products are accepted for return, they must be Freight Prepaid and buyer will be charged a minimum of 15% restocking charge, plus a charge back for outbound freight charges if the original order was shipped prepaid. Returns are not accepted for any Products that are specifically manufactured to meet the buyer's requirement of either specifications or quantity.

AGREEMENTS

These Terms and Conditions constitute the entire agreement between Seller and Purchaser as it relates to terms and conditions of sale, and supersedes any and all prior oral or written agreements, correspondence, quotations or understandings heretofore in force between the parties relating to the subject matter hereof. There are no agreements between Seller and Purchaser with respect to the Product herein except those specifically set forth in and made part of these terms and conditions. Any additional terms, conditions and/or prices are rejected by Seller.

These terms and conditions may be modified, cancelled or rescinded only by a written agreement of both parties executed by their duly authorized agents.

USE ONLY GENUINE EDCO PARTS & ACCESSORIES
For your own safety, the safety of others and the life of your machine.

Equipment Development Company, Inc.

