



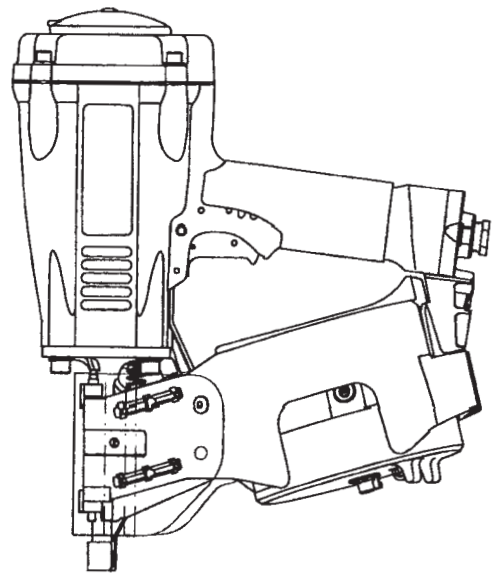
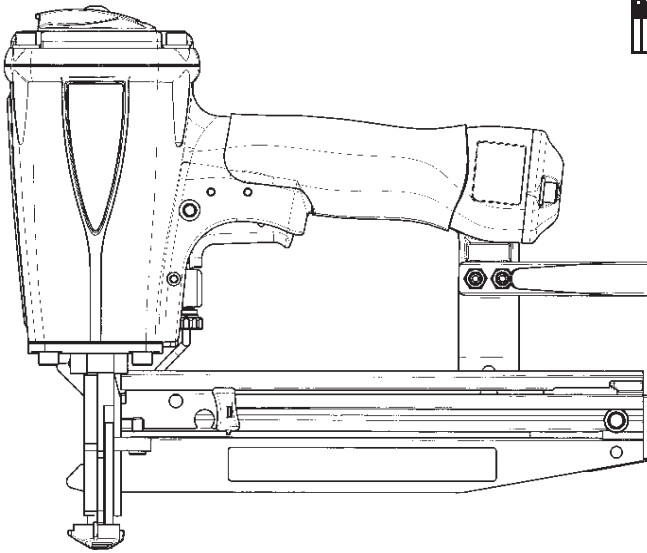
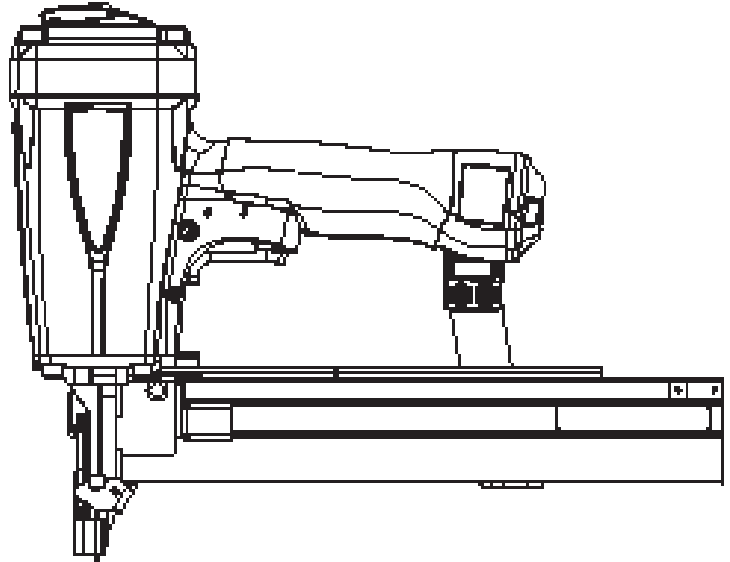
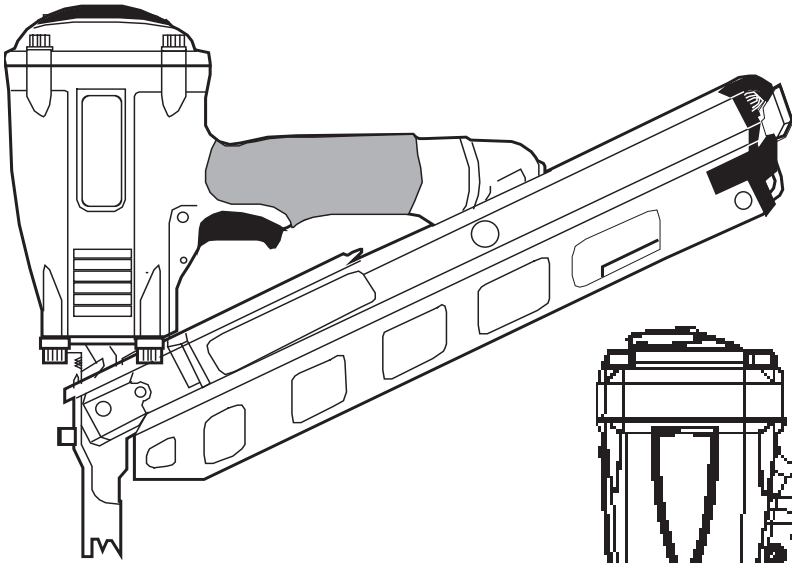
Click Here To View
Item at

www.GapPower.com

*Sales • Rentals
Parts & Service*



PNEUMATIC TOOLS

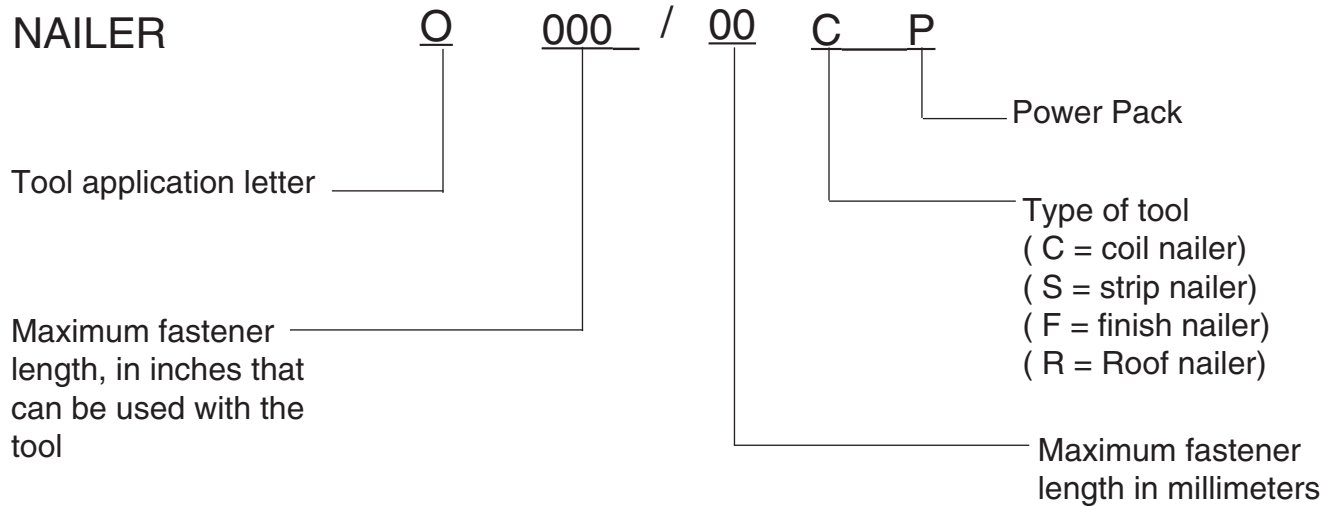


Operating and Maintenance Manual

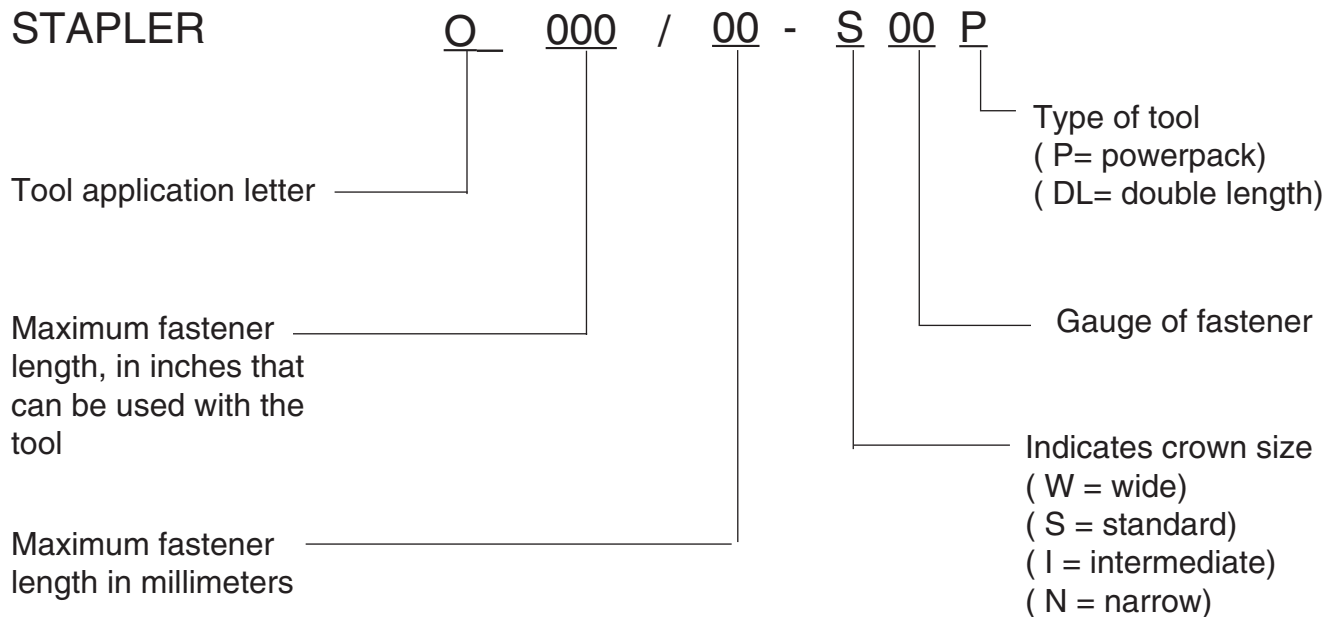
PASLODE MODEL NUMBER DESIGNATION

The model number of each Paslode tool contains information about the tool and the fasteners that are used with it. The following example illustrates the information contained in this tool model number.

NAILER



STAPLER



Paslode is a member of:



INTRODUCTION

Congratulations on purchasing a Paslode pneumatic tool. You have made a wise choice.

A Paslode tool is a professional quality tool that combines power and speed in a light weight design for versatile operation in a variety of industrial and construction applications.

Please take the time to review this entire manual and all other documentation that came with the tool. They will help you to become familiar with operating a power fastening tool. Be sure to read the safety instructions carefully before using your new tool. Also read Paslode's warranty statement in the back of this manual.

Even though Paslode is a leader in the power fastening business, we continually strive to find new and better ways of improving our products. That is a commitment we've made to our most important asset: our customer.

Paslode also manufactures a line of cordless tools featuring Impulse Technology, which are not covered in this manual. For maintenance and safety information on the line of cordless tools, consult the operating manuals for those tools.

TABLE OF CONTENTS

INTRODUCTION.....	1
SAFETY INSTRUCTIONS.....	2
AIR SYSTEMS.....	3
TOOL INSTALLATION.....	5
TOOL OPERATION.....	5
TOOL LOADING.....	6
MAINTENANCE.....	9
OPERATOR TROUBLESHOOTING.....	12
TOOL WARRANTY.....	Inside Back Cover

SAFETY INSTRUCTIONS

SAFETY FIRST

These safety instructions provide information necessary for safe operation of Paslode® tools. **DO NOT ATTEMPT TO OPERATE THE TOOL UNTIL YOU READ AND UNDERSTAND ALL SAFETY PRECAUTIONS AND MANUAL INSTRUCTIONS.**



WEAR EYE AND HEARING PROTECTION

Always wear hearing and eye protection devices, that conform to ANZI Z87.1 requirements, when operating or working in the vicinity of a tool. As an employer you are responsible for enforcing the use of eye protection. Wear hard hats in environments that require their use.

THE TOOL MUST BE USED ONLY FOR THE PURPOSE FOR WHICH IT WAS DESIGNED

Do not throw the tool on the floor, strike the housing in any way or use the tool as a hammer to knock material into place.

NEVER ENGAGE IN HORSEPLAY WITH THE TOOL

The tool is not a toy so do not use it like one. Never engage in horseplay with the tool or point it at yourself or any other person, even if you think it is not loaded.

NEVER ASSUME THE TOOL IS EMPTY

Check the magazine for fasteners that may be left in the tool. Even if you think the tool is empty or disconnected, never point it at anyone or yourself. Unseen fasteners could fire from the tool.

NEVER CLAMP THE TRIGGER IN A LOCKED OR OPERATING POSITION

The trigger of the tool must never be tampered with, disabled or clamped in a locked or operating position since this will cause the tool to drive a fastener any time the work contacting element depressed.

DO NOT LOAD FASTENERS WITH THE AIR LINE CONNECTED, OR WITH THE TOOL TRIGGER OR WORK CONTACTING ELEMENT DEPRESSED

When loading fasteners into the tool be sure you disconnect the air line and that you do not depress the trigger or work contacting element.



OPERATE THE TOOL ONLY ON A WORKPIECE

The tool should be operated only when it is in contact with the workpiece. Even then you should be careful when fastening thin material or working near the edges and corners of the workpiece since the fasteners may drive through or away from the workpiece.

DO NOT DISABLE OR REMOVE THE WORK CONTACTING ELEMENT

This tool is equipped with a safety mechanism, called a work contacting element, to help prevent accidental firing. Never tamper with, disable or remove the work contacting element. Do not use the tool unless the work contacting element is working properly. The tool could fire unexpectedly.



CARRY THE TOOL ONLY BY THE HANDLE

Always carry the tool by the handle only. Never carry the tool by the air hose or with the trigger depressed since you could drive a fastener unintentionally and injure yourself or someone else.

DO NOT WEAKEN THE TOOL HOUSING

The tool housing is a pressure vessel and should never be weakened by having your company's name, area of work or anything else stamped or engraved into its surface.

DISCONNECT THE TOOL WHEN PERFORMING REPAIRS AND CLEARING JAMS

Never attempt to clear a jam or repair a tool unless you have disconnected the tool from the air line and removed all remaining fasteners from the tool.

ALWAYS USE THE PROPER FITTING FOR THE TOOL

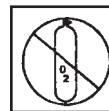
Only MALE pneumatic type air connectors should be fitted to the tool, so that high pressure air in the tool is vented to atmosphere as soon as the air line is disconnected.

NEVER install FEMALE quick disconnect couplings on the tool. Female couplings will trap high pressure air in the tool when the air line is disconnected, leaving the tool charged and able to drive at least one fastener.



DO NOT EXCEED THE MAXIMUM RECOMMENDED AIR PRESSURE

Operate the tool only at the recommended air pressure. Do not exceed the maximum air pressure marked on the tool. Be sure the air pressure gauge is operating properly and check it at least twice a day.



Never use any bottled air or gases such as oxygen to operate the tool since they could cause the tool to explode.

INSPECT TOOL FOR PROPER OPERATION

Clean the tool at least daily and lubricate as required. Never operate a dirty or malfunctioning tool.

USE ONLY PASLODE RECOMMENDED PARTS AND FASTENERS

Use only parts and fasteners specifically designed and recommended by Paslode for use in the tool and for work to be done. Using unauthorized parts and fasteners or modifying the tool in any way creates dangerous situations. Replace all missing warning labels--refer to tool schematic for correct placement and part number.

WARNING

Failure to follow any of the above instructions could result in severe personal injury to tool user and bystanders or cause damage to tool and property.

Contact your local Paslode Representative for presentation of Paslode's Safety Awareness Program

AIR SYSTEMS

For air-powered tools to work their best, the air supply system must be properly installed and maintained regularly. A drawing in this section shows a properly installed air supply system. Handy checklists for installing and maintaining air supply systems follow.

Indoor Air System Installation

-Be certain that:

- All pipes supplying air have a large enough inside diameter to ensure adequate air supply.
- The main supply pipe slopes down, away from the compressor (1/16 inch per foot).
- Air storage is provided along lengthy air lines.
- Pipe line branch outlets are at the top of the main pipe line.
- Cutoff valves are provided at each branch pipe line throughout the system.
- Water legs extend from the bottom of each branch line.
- A refrigerant-type dryer is installed on the system.
- Air hoses are kept as short as practical.
- A regular maintenance program is followed.

Outdoor Air System Installation

-Be certain that:

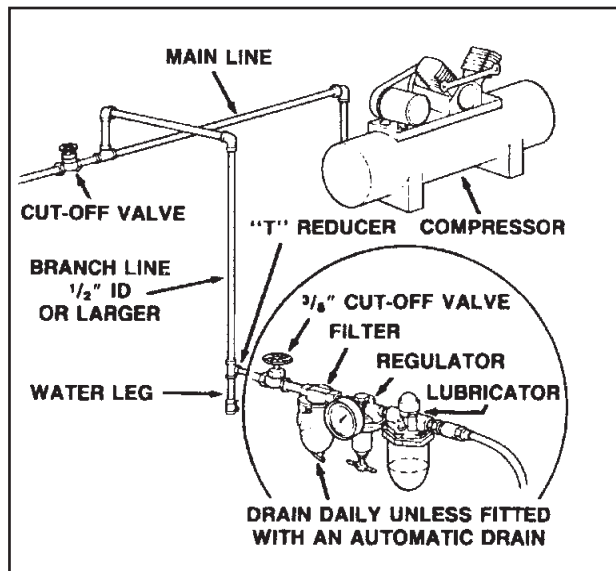
- A moisture trap and a filter/regulator/lubricator are installed at the compressor.
- Air hoses and fittings are large enough so that air flow is not restricted. Minimum hose size is 3/8 inch ID with 1/2 inch ID hose used for any application over 25 feet.

- Air hoses are not longer than 150 feet.
- The air system is lubricated regularly.
- A regular maintenance program is followed.

Filter/Regulator/Lubricator Units

Filter/regulator/lubricator units that can supply enough air and protection for Paslode tools must meet the following specifications:

- Minimum 3/8 inch NPT port size .
- 50 micron or fine filters.
- Regulated pressure from zero to 120 psi.
- Lubricators designed for low or changing airflow.



AIR SYSTEMS - Continued

Calculating Compressor Size

Use the air consumption chart in the Tool Schematic for each tool when calculating the operating requirements for the tools. Paslode tools are designed to operate efficiently between 80 and 120 psi and should never be operated at pressure greater than 120 psi. The air consumption chart will help you find the correct compressor size for your application that will quickly replenish tool air pressure. To use the chart you will need to know how many tools will be used and approximately how many fasteners will be driven each minute by each tool on the line. Using the equation:

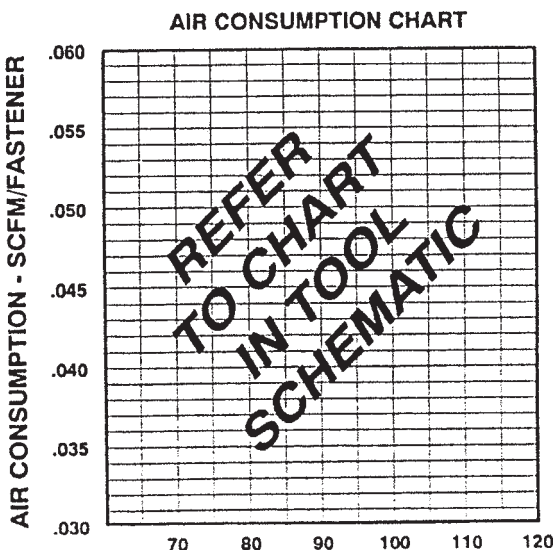
$$\text{Number of tools} \times \text{average fasteners/minute/tool} \times 1.2 \text{ (safety factor)} \times \text{air consumption (scfm) @ pressure* (psi)} = \text{scfm required.}$$

We can use the following example:

$$10 \text{ tools} \times 30 \text{ fasteners/minute/tool} \times 1.2 \times 0.051 \text{ scfm* (@100psi)} = 18.36 \text{ scfm.}$$

*This number is found in the Air Consumption Chart

In this example, using the air consumption chart we find that a compressor providing at least 19 scfm of air is required. Because in compressors approximately 1 hp is required to produce 4 scfm, a compressor of at least 5 hp is required.



Calculated Required Piping

For example, given a 20 hp electric compressor supplying approximately 80 cfm of air at 120 psi and a main supply pipe length of 350 feet, we see by the table the minimum main pipe inside diameter required for this application is 1-1/4 inch.

VOLUME OF AIR (CFM)	LENGTH OF RUN (FT.)				
	50-200	200-500	500-1000	1000-2500	2500-5000
NOMINAL PIPE DIAMETER (IN.)					
30-60	1	1	1 1/4	1 1/2	1 1/2
60-100	1	1 1/4	1 1/4	2	2
100-200	1 1/4	1 1/2	2	2 1/4	2 1/2
200-500	2	2 1/2	3	3 1/2	3 1/2
500-1000	2 1/2	3	3 1/2	4	4 1/2

Pneumatic System Maintenance

- Be certain that:

- Pneumatic fittings are tight and do not leak.
- Water legs, filters and air lines are drained daily, and ensure that automatic draining systems are operating correctly.
- Air lines are cleared to prevent freezing, especially in winter.
- Lubricator operation is checked regularly and ensure it has an adequate supply of lubricant. (Paslode Part No. 403720)
- The filter element is cleaned every six months.
- Only regulated air is being used and that each regulator is operating properly.

TOOL INSTALLATION



DANGER

Air pressure at the tool must never exceed 120 psi.

Your Paslode tool comes ready for immediate use and can be installed by following these steps:

1. **SAFETY** - All tool operators and their immediate supervisors must become familiar with the operator safety instructions before operating the tool. The instructions are on page 2 of this manual.

2. Included with each tool are one copy of this Safety and Maintenance manual and one copy of the Tool Schematic. Keep these publications for future reference. An ownership registration card is also included. This card must be completed and returned to Paslode immediately to register your ownership.

3. The plastic cap in the air inlet of the tool must be removed before the male fitting is installed. The fitting must be a male pneumatic type that discharges the air from the tool when the air line is disconnected.

4. Install a filter/regulator/lubricator unit, with a gauge as close as practical to the tool, preferably within ten feet. Refer to the Air Systems section of this manual for air hose requirements and lengths. In general, no other special installation is required.

5. If the operator is working at a bench or table, it is usually best to run the air line underneath the bench. A small tray under the benchtop can hold the fastener supply and the tool when not in use.

6. If this tool does not work when it is first connected, do not try to make repairs. Call your Paslode representative immediately.



DANGER

Air pressure at the tool must never exceed 120 psi.

TOOL OPERATION

Depth of Drive Adjustment (On tools equipped with this feature)



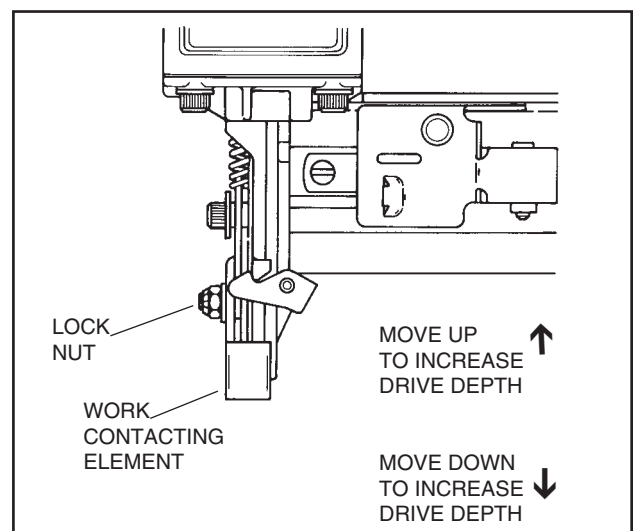
WARNING

Keep the tool pointed in a safe direction. Disconnect the tool from the air supply and remove all fasteners.

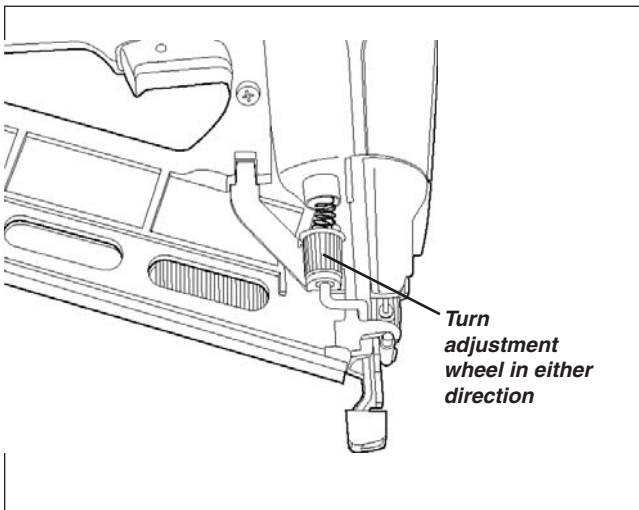
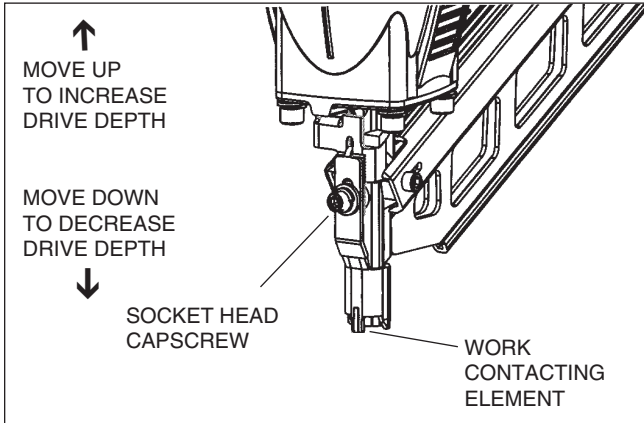
The depth of drive adjustment is made by adjusting the work contacting element. The lock nut is loosened to allow the element to be moved up or down. You will need a 3/8 inch open end or 5/32 inch hex socket wrench to make this adjustment.

If the tool is overdriving (the fastener head or crown is driven below the work surface), the work contacting element should be moved downward. If the fasteners stand up (the head or crown is not flush with the surface), the work contacting element should be moved up.

Adjust the work contacting element until the fastener head or crown depth meets job requirements.



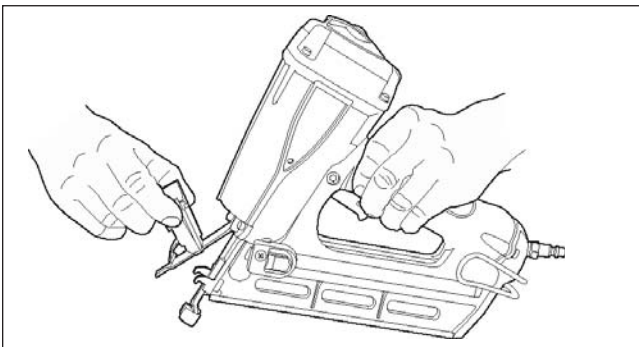
TOOL OPERATION - continued



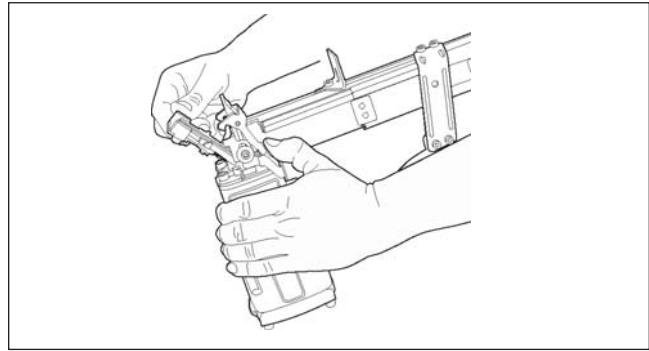
Clearing a Jam

An occasional problem you may encounter is a jammed fastener. Because of the unique design of the tool, clearing a jammed fastener is easy:

1. Disconnect the air supply.
2. Pull the latch, releasing front guide. Pivot front guide forward.
3. Clear jam, and push driver blade back up to its normal position.
4. Close front guide and latch it. Check that work contacting element moves freely.



clearing a jam continued



Precision Placement Driving - (Orange Trigger)

- Grasp the tool handle firmly and hold the bottom of the work contacting element firmly against the workpiece until it is completely depressed.
- Squeeze the trigger to drive the fastener.
- Lift the tool from the workpiece.
- Repeat the procedure for the next fastener.

Successive (Bounce) Driving - (Orange Trigger)

- Grasp the handle firmly.
- Squeeze the trigger and move the tool along the workpiece with a bouncing motion, depressing the work contacting element at the points where you want to insert a fastener.
- Keep the trigger depressed and continue to bounce the work contacting element against the workpiece, positioning the tool above as carefully as possible.
- When the desired number of fasteners have been driven, release the tool trigger to avoid unintentional fastener discharge.



WARNING



Do not clamp or hold trigger with anything other than your hand.

Sequential Operation - (Silver Trigger)

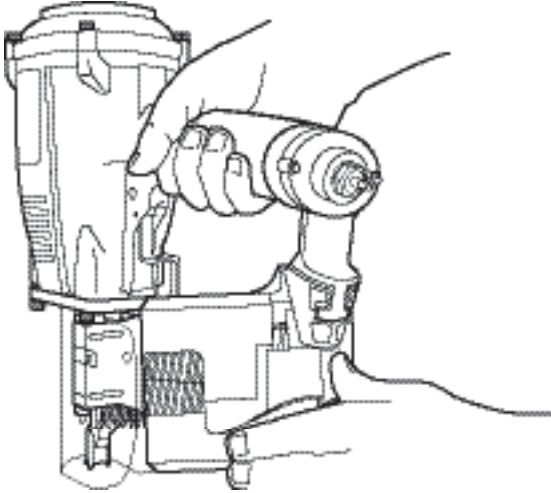
The sequential operating kit prevents successive or "bounce" driving.

- Depress the work contacting element and hold it against the work surface before pulling the trigger.
- After each fastener is driven, completely release the trigger and lift the tool from the work surface.

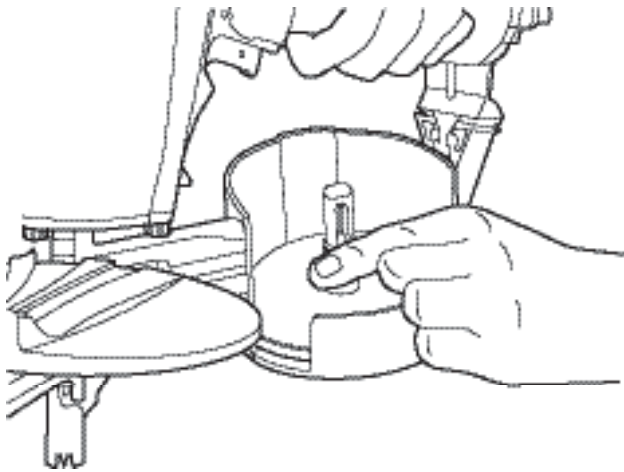
TOOL LOADING

Coil Nailers

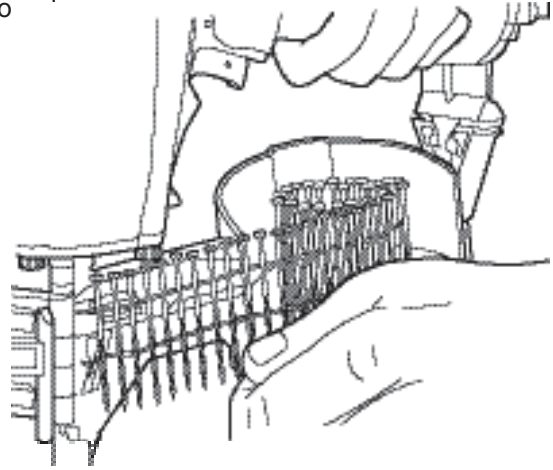
Step No. 1 – Grasp the nailer handle firmly with one hand and with the other hand unlatch the magazine cover clip. Swing the magazine door open.



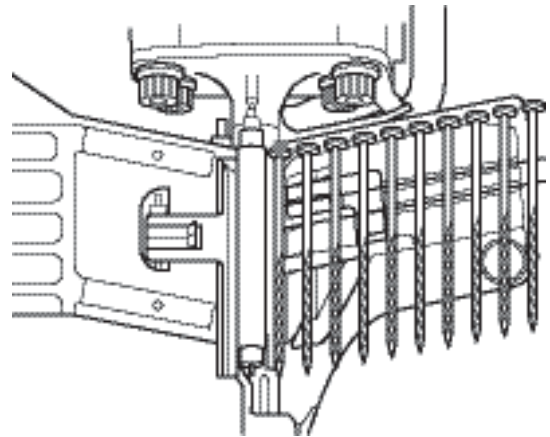
Step No. 2 – Adjust the loading tray for nail length (if required) by depressing the button on the post and raising or lowering the tray to the desired position.



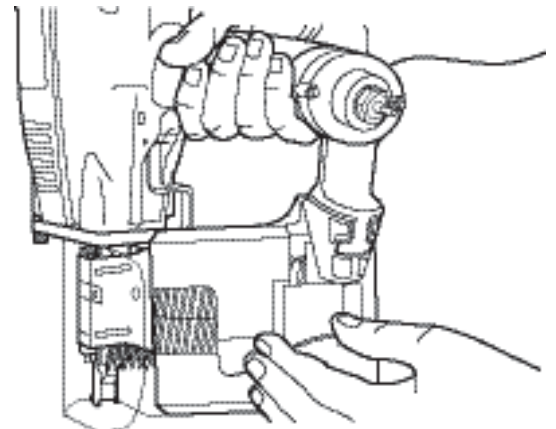
Step No. 3 – Remove the retainer from a nail coil and place the nail coil in the magazine with the tips of the nails against the loading tray and with about 4 inches of coil unwound.



Step No. 4 - Slide the free strip of nails along the top of the feeder body assembly and place the first nail between the feed claw and the locator.



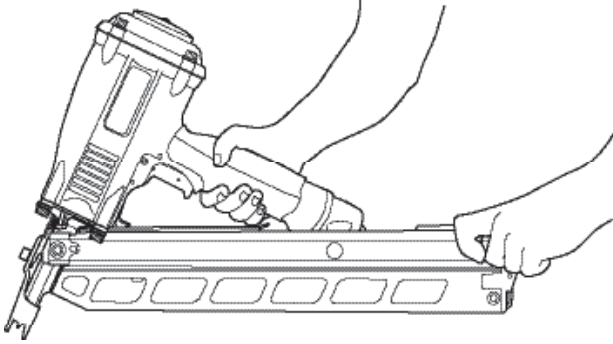
Step No. 5 - Carefully close and latch the magazine door.



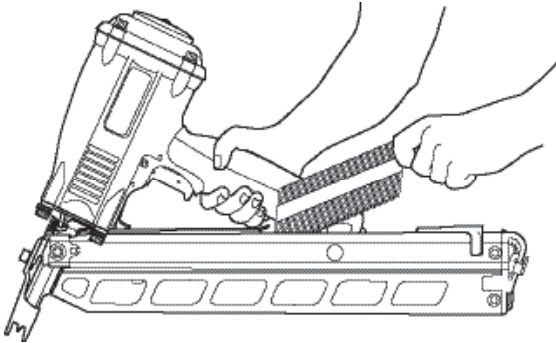
Step No. 6 - Advance the first nail into driving position by cycling the tool once against a work surface. The nailer is now ready for use.

RHP-350 PowerMaster Plus Strip Nailers

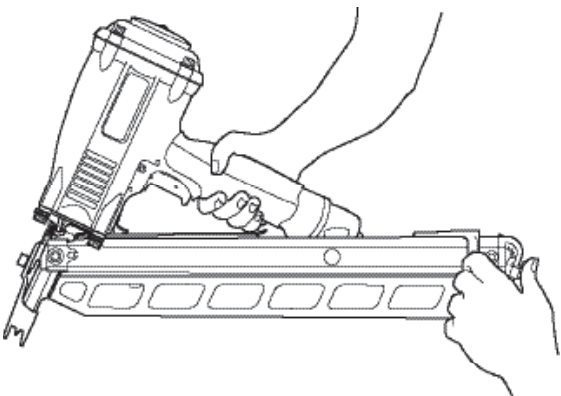
Step No. 1 – Grasp the nailer handle firmly. Pull the magazine follower all the way to the rear of the magazine until it is latched into its loading position by the magazine latch.



Step No. 2 – Insert the a strip of fasteners into the top of the magazine with the point of the nails facing the nose area.

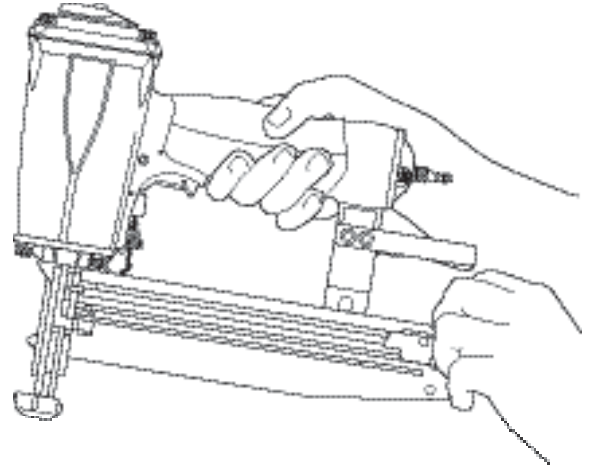


Step No. 3 – Hold the follower firmly and press the follower latch. Slide the follower forward until it contacts the nails.

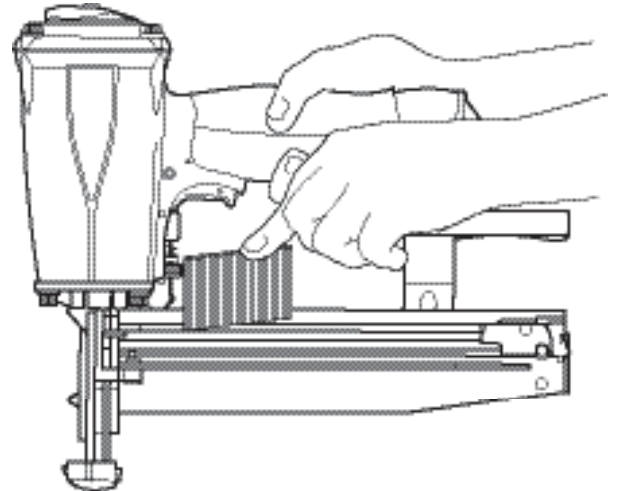


T250-F16 Series Finish Nailer

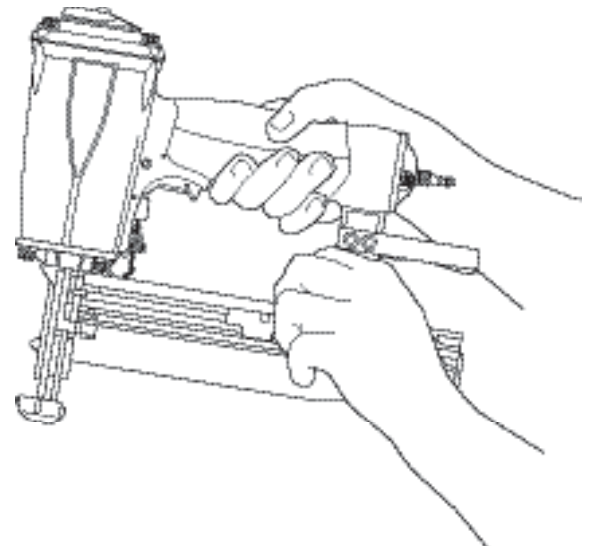
Step No. 1 – Grasp the nailer firmly with one hand.



Step No. 2 – Insert the strip with the point of the fastener facing down towards the bottom of the magazine.

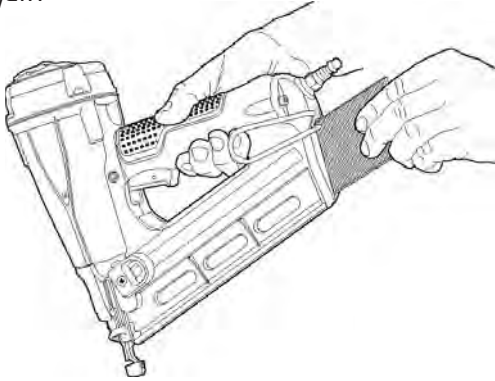


Step No. 3 – Hold the follower firmly and press the follower latch. Slide the follower forward until it contacts the nails. The tool is now ready for use.



T250A-F16 Series Finish Nailer

Step 1 - Align the heads of the Paslode 16 ga. Finish nails to the brad channel in the rear of the magazine and insert one or two strips. Push the nails strips forward

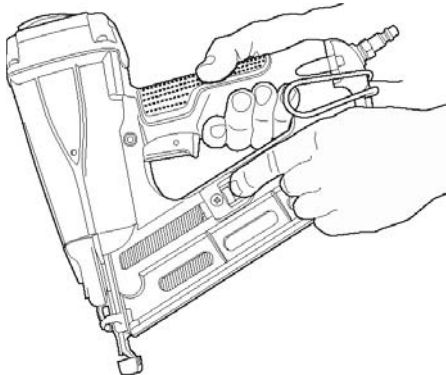


Step 2 - Next, while applying pressure to the release lever, pull the follower toward the rear of the magazine until the follower passes the last strip of fasteners. Release the lever on the follower and let the follower push the nails forward into the nose of the tool.



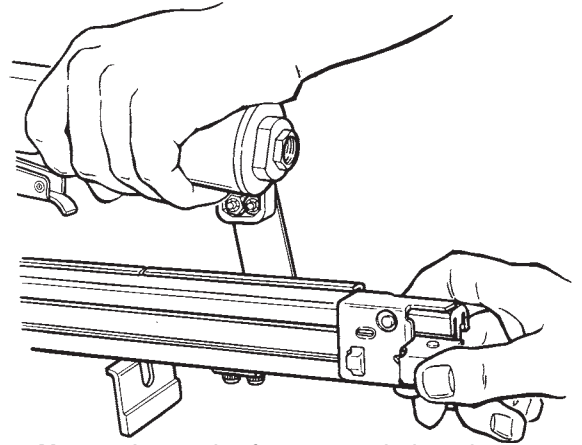
Step No.3

When the follower reaches the reload area, marked on the side of the magazine, you may insert a new strip of nails. When the follower arrow reaches the lockout area the tool automatically locks the tool to prevent the tool from operating. To unlock the tool, simply reload another strip of nails.

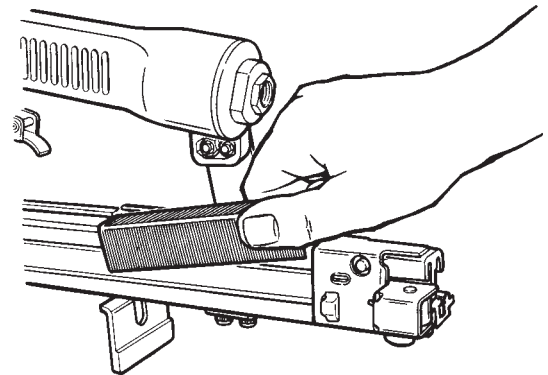


Staplers

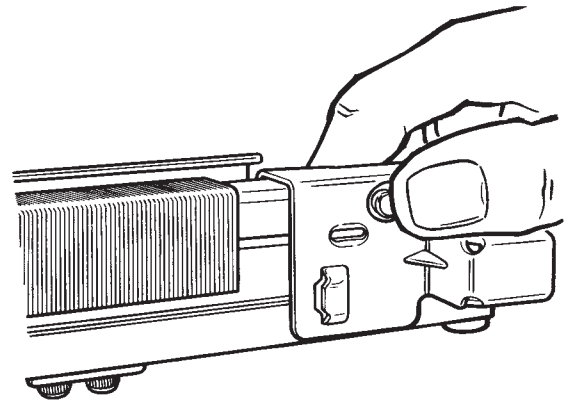
Step No. 1 – Pull back the rail follower until it latches at the end of the magazine. The rail cover will automatically open.



Step No. 2 – Insert the fastener strip into the magazine rail.



Step No. 3 – Press the follower latch release button or unlatch the follower and slide the follower forward until it contacts the staple strip. The tool is now ready for use.



MAINTENANCE

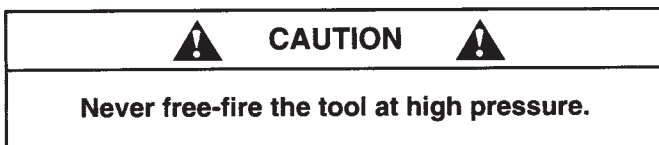
Paslode® tools are built for ease of maintenance. A few simple details will assure trouble-free operation and long tool life. Anyone who uses or maintains the tool must read the safety and maintenance instructions. Study the schematic drawing before starting any repairs on the tool.

Air-operated tools must be inspected periodically, and worn or broken parts must be replaced to keep the tool operating safely and efficiently. Also the items on the maintenance chart must be checked often.

Cold Weather Care

When temperatures are below freezing, tools should be kept warm by any convenient, safe method. If this is not possible, the following procedure should be used to warm up the tools.

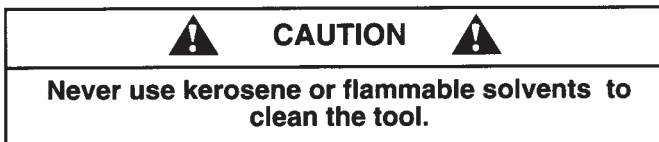
- Reduce the regulated air pressure to 30 psi.
- Remove all fasteners from the tool.
- Collect an air line and blank fire the tool. The reduced air pressure will be enough to free-fire the tool. Slow speed operation tends to warm up the moving parts. Slowing up the piston helps the bumper and the O-rings to become springy.



- Once the tool is warmed up, readjust the regulator to the proper working pressure and reload the tool.
- Tool operators working outdoors or in unheated areas in extremely cold temperatures should also:

Use Paslode pneumatic oil with antifreeze in the lubricator, Part No. 219090 (8oz.)

Once a week, depending on the amount of tool use, take the tool apart and wash away any sludge with degreaser cleaner (Paslode Part No. 219086) to keep the tool operating efficiently.



Cleaning the air-operated tools with solvents removes the thin coating of grease applied to the cylinder wall and O-rings at the factory. To replace this coating of grease, use Chemplex grease (Paslode Part No. 403734).

- Open the drain on the air compressor tank to drain any

moisture at least daily in extremely cold or humid weather. A few ounces of anti-freeze in the tank will keep the air free of frost.

Testing the Tool After Servicing

After replacing any part or parts, it is important to check the tool for proper operation. This ensures that the tool was put together correctly, is safe to use, and will perform the job properly.

- Ensure that all hardware is tight.
- Ensure that the work contacting element is installed correctly in relation to the trigger, and that both parts move freely.
- Ensure that the magazine is properly attached.
- Ensure that the required safety information on the tool is legible.
- Use only Paslode approved fasteners in the tool, and ensure that they are correct for the application.
- Ensure that a male air fitting is securely connected to the tool.
- Test the tool by driving fasteners into a workpiece identical to the tool's application.
- Check the tool for air leaks during testing and for the proper sequence of operation.
- Ensure that all fasteners are driven to the same depth and that the crown of the fastener is flush with the workpiece.

Tool Lubrication



It is most important that the tool be properly lubricated by keeping the air line lubricator filled and correctly adjusted. Without proper lubrication the tool will not work properly and parts will wear prematurely.

Use the proper lubricant in the air line lubricator. The lubricator should be of low air flow or changing air flow type, and should be kept filled to the correct level. Use only Paslode recommended lubricants. Substitutes may harm the rubber compounds in the tools O-rings and other rubber parts. Paslode Part No. 403720 is a pneumatic lubricating oil specially made for pneumatic applications.

If a filter/regulator/lubricator is not installed on the air system, air operated tools should be lubricated at least once a day with 6 to 20 drops of oil, depending on the work environment, directly through the male fitting in the tool housing.

Most minor problems can be resolved quickly and easily using the maintenance table that follows. If problems persist, contact your Paslode dealer for assistance.



MAINTENANCE - Continued

 CAUTION 
Disconnect the tool when performing repairs or clearing jams.

MAINTENANCE TABLE

ACTION	WHY	HOW
Drain air line filter(daily).	Prevent accumulation of moisture and dirt.	Open manual petcock (most air supply systems have such a valve).
Keep lubricator filled.	Keep tool lubricated.	Fill with Paslode pneumatic tool lubricant. Part No. 403720.
Clean filter element-then blow air through filter in direction opposite to normal flow.	Prevent clogging of filter with dirt.	Wash with soap and water or follow manufacturers instructions.
Check that all screws on tool are tight.	Prevent air leakage and promote efficient operation.	Check screws daily.
Keep work contacting element working properly.	Promote operator safety and efficient tool operation.	Blow clean daily.
Keep magazine and feeder mechanism clean.	Prevent jamming of fasteners.	Blow clean daily.
Lubricate "O" rings that are replaced.	Assure long life and proper operation of tool.	Use Chemplex grease, Part No. 403734.
Use only Paslode replacement parts.	Keep tool operating efficiently and maintain Paslode tool warranty.	Order any replacement parts needed from Paslode Dealer.

OPERATOR TROUBLESHOOTING

 CAUTION 
<p>Disconnect the tool when performing repairs or clearing jams.</p>

PROBLEM	CORRECTIVE ACTION
Fasteners will not drive completely into wood.	<p>Adjust work contacting element (retract length).</p> <p>Increase air pressure (do not exceed 120 psi).</p>
Fasteners penetrate properly during normal operation, but won't drive fully at faster speeds.	Increase air flow to tool -- use larger air lines (3/8 inch ID minimum).
Fasteners drive too deeply into wood.	<p>Adjust work contacting element (extend length).</p> <p>Reduce air pressure.</p>
Fastener jams in nose of tool.	Open front guide latch, release jammed fastener, and close latch securely.
Tools skips during operation - no fasteners are driven from time to time.	<p>Check magazine for proper fasteners. Magazine follower should slide freely. Clean as needed to remove debris.</p> <p>Make sure correct fasteners are being used. Use fasteners that meet Paslode® specifications only.</p> <p>Increase air flow to tool -- use larger air lines (3/8 ID minimum).</p> <p>Adjust work contacting element where available.</p>
Tool operates, but no fasteners are driven.	<p>Check magazine for proper fasteners. Fasteners should slide freely with no follower pressure.</p> <p>Open front guide latch or loosen magazine knob and check for jams or debris in the nose area. Clear as necessary.</p> <p>Increase air pressure (do not exceed 120psi).</p>
Air leaks at cap when tool is connected to air.	Tighten capscrews.

TOOL WARRANTY



An Illinois Tool Works Company
888 Forest Edge Drive
Vernon Hills, Illinois 60061

TOOL WARRANTY AND LIMITATIONS

Paslode warrants that newly purchased power fastening tools parts and accessories will be free from defects in material and workmanship (excluding wear parts) for the period shown below, after the date of delivery to the original user.

90-DAY LIMITED WARRANTY

A 90-day warranty will apply to all parts, except those which are specifically covered by an extended warranty.

EXTENDED LIMITED WARRANTY FOR ON SITE CONSTRUCTION APPLICATIONS

A one year warranty will apply to all housing and cap assembly castings. A six month warranty will apply to all magazines parts.

NORMAL WEARING PARTS

The following parts are considered normal wearing parts and are not under warranty:

- Bumper
- Drive Blades
- "O" Rings
- Piston Rings

WARRANTY STATEMENT

Paslode's sole liability hereunder will be to replace any part or accessory which proves to be defective within the specific time period. Any replacement part or accessory provided in accordance with this warranty will carry a warranty for the balance of the period of warranty applicable to the part it replaces.

This warranty is void as to any tool which has been subjected to misuse, abuse, accidental or intentional damage, used with fasteners not meeting Paslode specification, size, or quality, improperly maintained, repaired with other than genuine Paslode replacement parts, damaged in transit or handling, or which, in Paslode's opinion, has been altered or repaired in a way that affects or detracts from the performance of the tool.

PASLODE MAKES NO WARRANTY, EXPRESSED OR IMPLIED, RELATING TO MERCHANTABILITY, FITNESS, OR OTHERWISE, EXCEPT AS STATED ABOVE, and Paslode's liability AS STATED ABOVE AND AS ASSUMED ABOVE is in lieu of all other warranties arising out of, or in connection with, the use and performance of the tool, except to the extent otherwise provided for by applicable law. PASLODE SHALL IN NO EVENT BE LIABLE FOR ANY DIRECT, INDIRECT, OR CONSEQUENTIAL DAMAGES, INCLUDING, BUT NOT LIMITED TO, DAMAGES WHICH MAY ARISE FROM LOSS OF ANTICIPATED PROFITS OR PRODUCTION, SPOILAGE OF MATERIALS, INCREASED COST OF OPERATION, OR OTHERWISE.

Paslode reserves the right to change specifications, equipment, or designs at any time without notice and without incurring obligation.

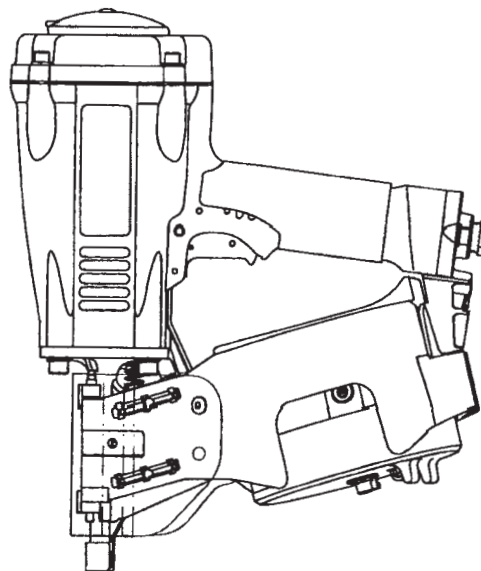
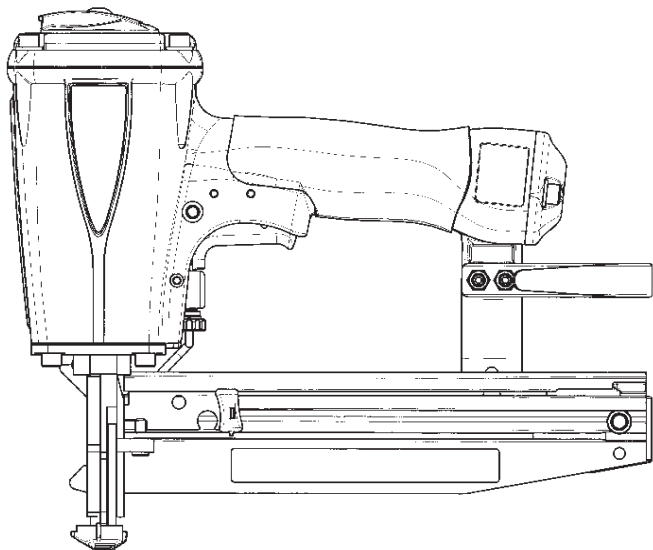
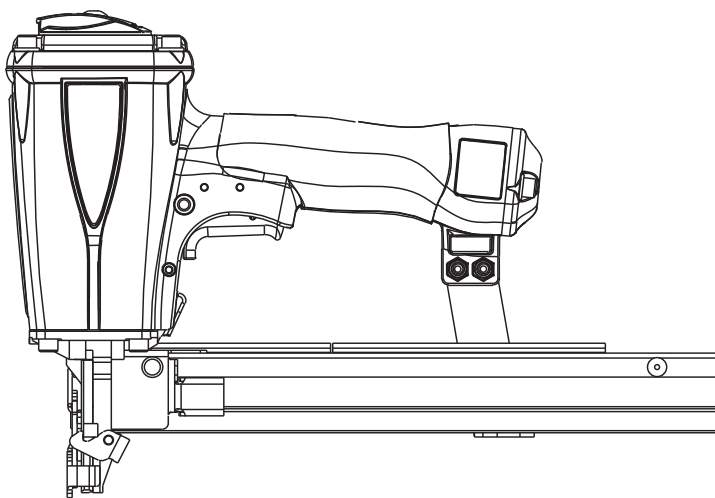
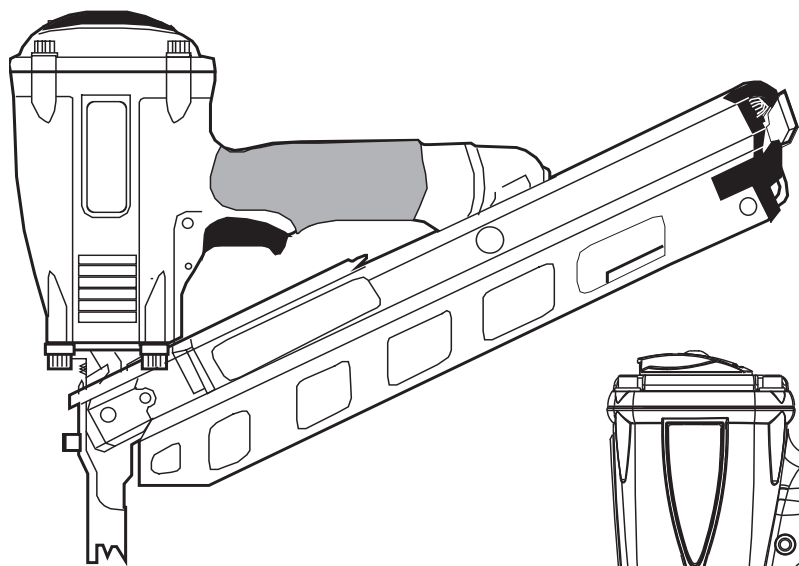


Printed in U.S.A.
© 2007, Illinois Tool Works, Inc.



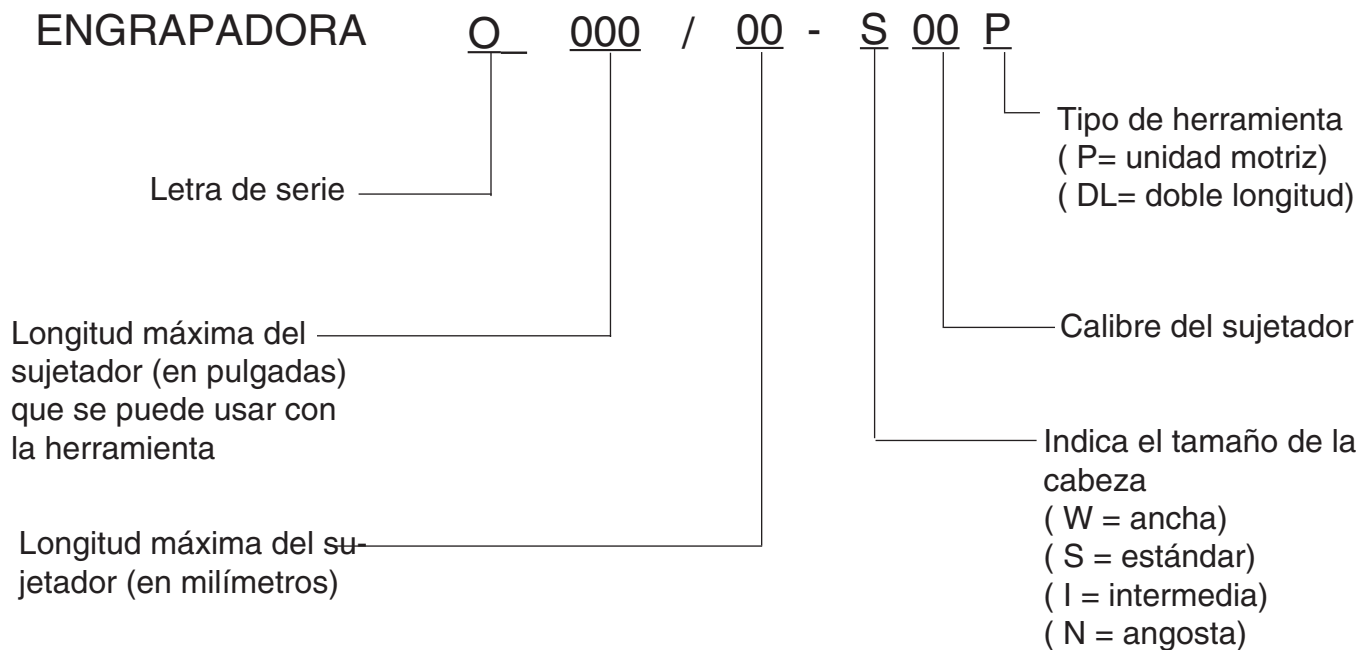
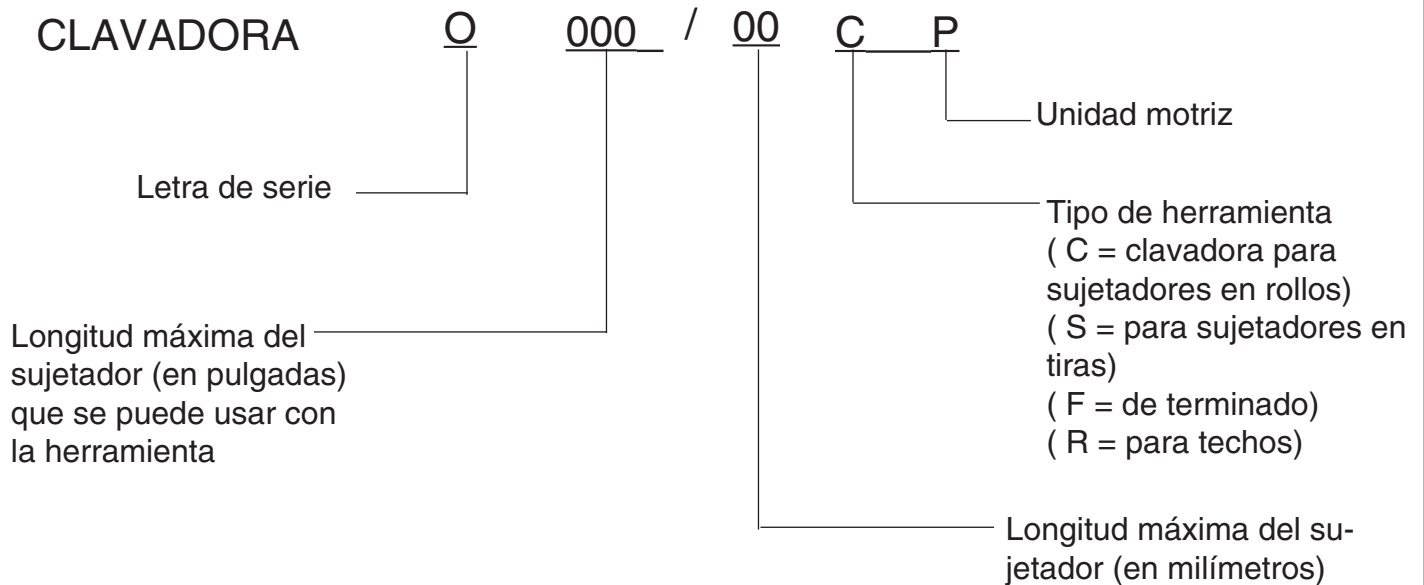
Printed in U.S.A.
© 2007, Illinois Tool Works, Inc.

HERRAMIENTAS NEUMATICAS



DESIGNACION NUMERICA DE LOS MODELOS DE PASLODE

El número de modelo de cada una de las herramientas de Paslode contiene información sobre la herramienta y los sujetadores adecuados para su uso. El siguiente ejemplo corresponde a una herramienta típica.



Paslode es miembro de:



INTRODUCCION

¡Felicitaciones por su acertada decisión de adquirir una herramienta neumática Paslode®!

Una herramienta Paslode es una herramienta de calidad que ofrece una combinación de potencia y rapidez, en un diseño liviano, que permite diversas funciones en múltiples aplicaciones y en el campo de la construcción.

Revise detenidamente este manual y toda la información relacionada con la herramienta, para poder familiarizarse con su funcionamiento. Lea cuidadosamente las instrucciones de seguridad antes de usar su herramienta, así como la garantía que aparece al final del manual.

Aun cuando Paslode es líder en la fabricación de herramientas neumáticas, nos esforzamos constantemente en la búsqueda de nuevas formas de mejorar nuestros productos, ya que éste es el compromiso que hemos contraído con nuestros clientes.

Paslode también fabrica una línea de herramienta "Impulse", sin cordón, que no aparecen en este manual. Consulte el manual sobre dichas herramientas con respecto a las instrucciones relacionadas con mantenimiento y seguridad

CONTENIDO

INTRODUCCION.....	1
INSTRUCCIONES DE SEGURIDAD.....	2
SISTEMAS NEUMATICAS.....	3
INSTALACION DE LA HERRAMIENTA.....	5
FUNCIONAMIENTO DEL LA HERRAMIENTA.....	5
COMO CARGAR LA HERRAMIENTA.....	6
MANTENIMIENTO.....	9
DETECCION Y CORRECCION DE FALLAS.....	12
GARANTIA.....	Contratapa interior

INSTRUCCIONES DE SEGURIDAD

LA SEGURIDAD ESTA PRIMERO

Estas instrucciones proporcionan la información necesaria para el funcionamiento sin peligro de las herramientas Paslode. **NO trate de usar su herramienta hasta que no haya leído y entendido todas las precauciones de seguridad y las instrucciones de este manual.**



PROTEJASE LOS OJOS Y LOS OIDOS

Use siempre el equipo adecuado para protegerse los ojos y los oídos que sea conforme con ANZI Z87, mientras usa una herramienta o trabaja cerca de una herramienta en uso. Como empleador usted es responsable de imponer el uso del la protección de ojo. Lleve sombreros duros en los ambientes que requieren su uso.

USE SU HERRAMIENTA SOLAMENTE PARA EL PROPOSITO CON QUE FUE DISEÑADA

No arroje la herramienta al suelo; no golpee el armazón ni la use como un martillo.

NUNCA USE LA HERRAMIENTA PARA JUGUETEAR

Esta herramienta no es un juguete; por lo tanto no la trate como tal. Nunca juguete con ella, ni se apunte a usted mismo ni a otra persona, aun cuando crea que no está cargada.

NUNCA ASUMAQUE LA HERRAMIENTA ESTA VACIA

Verifique que no haya sujetadores en el cargador. Aun cuando crea que está vacía o desconectada, nunca se apunte ni apunte a otra persona con la herramienta, porque podría dispararse un sujetador que no esté a la vista.

NUNCA SUJETE EL GATILLO EN LA POSICION DE CIERRE O DE FUNCIONAMIENTO

Nunca se debe manipular indebidamente o dejar inoperante el gatillo, o sujetarlo en la posición de cierre o de funcionamiento, porque se podría disparar un sujetador al oprimirse el elemento de contacto.

NO CARGUE SUJETADORES CUANDO LA LINEA DE AIRE COMPRIMIDO ESTE CONECTADA, O CUANDO EL GATILLO O EL ELEMENTO DE CONTACTO ESTE OPRIMIDO.

Antes de cargar sujetadores en la herramienta, verifique que la línea de aire comprimido esté desconectada y que ni el gatillo ni el elemento de contacto estén oprimidos.



USE LA HERRAMIENTA SOLAMENTE SOBRE UN MATERIAL DE TRABAJO

La herramienta debe funcionar sólo cuando esté en contacto con el material de trabajo. Debe tener mucho cuidado cuando el material sea delgado o trabaje cerca de las aristas del mismo, porque los sujetadores podrían atravesar o salirse del material.

NO DEJE INOPERANTE NI quite EL ELEMENTO DE CONTACTO

Esta herramienta está equipada con un mecanismo de seguridad, llamado elemento de contacto, para prevenir cualquier disparo accidental. Nunca manipule indebidamente, deje inoperante, ni quite el elemento de contacto. No use la herramienta a menos que dicho elemento funcione correctamente, porque podría producirse un disparo imprevisto.

DESCONECTE LA HERRAMIENTA CUANDO NO LA ESTE USANDO

Siempre desconecte la herramienta de la línea de aire comprimido cuando no la esté usando o al dejar su lugar de trabajo. Nunca la descuide, porque cualquier persona que no esté familiarizada con ella podría lastimarse o lastimar otros.



TOME LA HERRAMIENTA SOLAMENTE POR EL MANGO

Siempre tome la herramienta sólo por el mango. Nunca la tome por la manguera o con el gatillo oprimido, porque se podría disparar un sujetador y herirlo o herir a otra persona.

NO ALTERE EL ARMAZON DE LA HERRAMIENTA

El armazón de la herramienta es un recipiente a presión y nunca se debe grabar en su superficie el nombre de su compañía, el del área de trabajo, ni ningún otro detalle.

DESCONECTE LA HERRAMIENTA PARA HACER REPARACIONES O ELIMINAR OBSTRUCCIONES

Nunca trate de eliminar obstrucciones o reparar una herramienta sin haberla desconectado de la línea de aire comprimido y quitado todos los sujetadores.

USE SIEMPRE LOS ADAPTADORES APROPIADOS PARA SU HERRAMIENTA

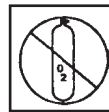
Se debe conectar a la herramienta solamente conectores neumáticos MACHOS, para permitir que el aire de alta presión salga tan pronto como se desconecte la línea de aire comprimido.

NUNCA coloque enlaces HEMBRAS de desconexión rápida en la herramienta, porque atrapan el aire a alta presión al desconectar la línea de aire comprimido, dejándola cargada y lista para disparar por lo menos un sujetador.



NO EXCEDA LA PRESION NEUMATICA MAXIMA RECOMENDADA

La herramienta debe funcionar sólo con la presión neumática recomendada. No exceda la presión neumática máxima marcada en la herramienta. Verifique por lo menos dos veces al día que el calibre de la presión neumática funcione correctamente.



Nunca use aire o gases envasado, como el oxígeno, para hacer funcionar la herramienta porque podrían hacer que explotara.

INSPECCIONE LA HERRAMIENTA PARA LA OPERACION APROPIADA

Limpie diariamente la herramienta y lubríquela como se recomienda. Nunca trate de hacer funcionar una herramienta sucia o defectuosa.

USE SOLAMENTE PIEZAS Y SUJETADORES RECOMENDADOS POR PASLODE

Use sólo piezas y sujetadores específicamente diseñados y recomendados por Paslode para usar con esa herramienta y para la tarea requerida. Si se usan piezas o sujetadores no autorizados o se modifica de alguna forma la herramienta, se pueden crear situaciones peligrosas. Vuelva a colocar todas las etiquetas de precaución que flaten. Consulte el diagrama de la herramienta sobre el número de cada parte y su ubicación correcta.

PELIGRO

La falta de observación de cualquiera de estas instrucciones puede ser causa de graves lesiones personales, tanto al operador de la herramienta como a quienes estén cerca de ella o de daños materiales o a la herramienta.

Comuníquese con el representante de Paslode sobre la presentación de Programa de Alerta sobre Seguridad.

SISTEMAS NEUMATICOS

El sistema neumático debe estar correctamente instalado y recibir mantenimiento periódicamente para que todas las herramientas de potencia neumática funcionen bien. El diagrama de más abajo muestra un sistema neumático correctamente instalado. A continuación se detallan las revisiones necesarias para la instalación y el mantenimiento de los sistemas neumáticos.

Instalación de un sistema neumático para Interiores

- Revise que:

- El diámetro interior de todas las líneas que suministran aire sea bastante grande como para garantizar un suministro de aire adecuado.
- La línea principal tenga una inclinación de (1/16 de pulgada por pie) a partir del compresor.
- Existen almacenamientos de aire a lo largo de las líneas muy largas.
- Las salidas de aire en las líneas secundarias estén en la parte superior de la línea principal.
- Existen válvulas de cierre en cada una de las líneas secundarias de todo el sistema.
- Las columnas de agua se extiendan desde el extremo inferior de cada línea secundaria.
- Se haya instalado en el sistema un secador tipo refrigerante.
- Las mangueras de aire comprimido sean tan cortas como sea posible.
- Se siga un programa regular de mantenimiento.

Instalación de un sistema neumático para exteriores

- Revise que:

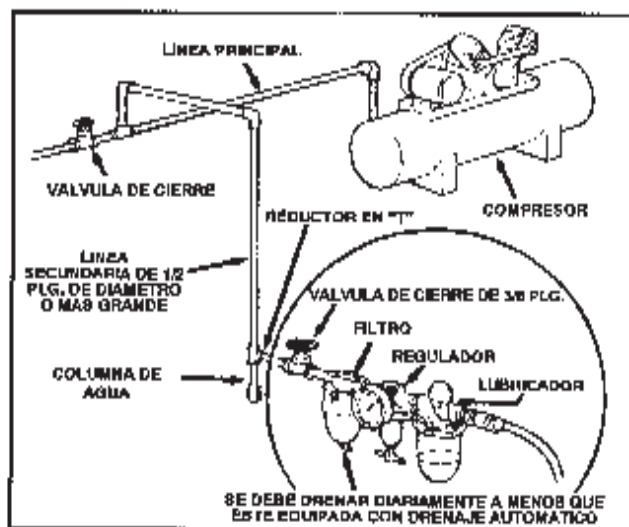
- Se hayan instalado en el compresor un colector de humedad y un filtro/regulador/lubricador.
- Las mangueras de aire comprimido y los adaptadores tengan la longitud suficiente para que el aire circula sin problemas. El diámetro mínimo de una manguera de aire comprimido es de 3/8 de pulgada y de 1/2 pulgada para cualquier aplicación de más de 7.60 m.

- Las mangueras de aire comprimido no midan más de 45.70 m de longitud.
- El sistema neumático sea lubricado periódicamente.
- Se siga un programa regular de mantenimiento.

Unidades de filtro/regulador/lubricador

Las unidades de filtro/regulador/lubricador capaces de proporcionar aire y protección suficientes a las herramientas Paslode® deben tener las siguientes características:

- Tamaño mínimo del orificio a presión y temperatura normales de 3/8 de pulgada
- Filtros de 50 micrones o más finos
- Presión regulada de 0 a 120 psi
- Lubricadores diseñados para corriente de aire baja o variable



SISTEMAS NEUMATICOS (continuación)

Cómo calcular el tamaño del compresor

Use la tabla de consumo de aire del diagrama para cada herramienta para calcular los requisitos de funcionamiento de las herramientas. Las herramientas Paslode® han sido diseñadas para funcionar eficientemente entre 80 y 120 psi, y nunca se deben usar a presiones superiores a 120 psi. La tabla de consumo de aire le permitirá encontrar el tamaño correcto del compresor para reponer rápidamente la presión del aire en su herramienta.

Para usar la tabla necesita saber cuántas herramientas se usarán y aproximadamente cuántos sujetadores aplicará, por minuto, cada herramienta de la línea. Use esta ecuación:

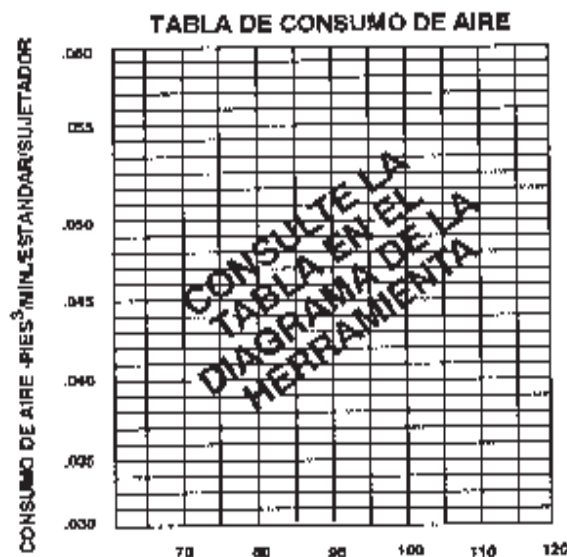
$$\text{Número de herramientas} \times \text{promedio de sujetadores/minuto/herramienta} \times 1.2 \text{ (factor de seguridad)} \times \text{consumo de aire (pies}^3\text{/min./estándar)} @ \text{ presión* (psi)} = \text{pies}^3\text{/min./estándar requeridos}$$

Por ejemplo:

$$10 \text{ herramientas} \times 30 \text{ sujetadores/minuto/herramienta} \times 1.2 \times 0.051 \text{ pies}^3\text{/min./estándar* (@ 100 psi)} = 18.36 \text{ pies}^3\text{/min./estándar.}$$

Esta cifra aparece en el diagrama correspondiente a cada herramienta.

Usando la tabla de consumo de aire, este ejemplo demuestra que se necesita un compresor que proporcione 19 pies³/min./estándar de aire, por lo menos. Como en compresores se necesita aproximadamente 1 hp para proporcionar 4 pies³/min./estándar, se requiere, por lo menos, un compresor de 5 hp.



Cómo calcular la tubería necesaria

Por ejemplo, si un compresor eléctrico de 20 hp proporciona aproximadamente 80 pies³/min. de aire a 120 psi y la longitud de la línea principal es de 106.70 m, la tabla indica que el diámetro interior de la línea principal necesario para esta aplicación debe ser de 1 1/4 pulgadas como mínimo.

VOLUMEN DEL AIRE (PIES CUBICOS/MIN.)	LONGITUD DE LA LINEA (EN METROS)				
	15-61	61-152	152-305	305-762	762-1524
	DIAMETRO NOMINAL DE LA LINEA (EN PULGADAS)				
30-60	1	1	1 1/4	1 1/2	1 1/2
60-100	1	1 1/4	1 1/4	2	2
100-200	1 1/4	1 1/2	2	2 1/4	2 1/2
200-500	2	2 1/2	3	3 1/2	3 1/2
500-1000	2 1/2	3	3 1/2	4	4 1/2

Importante: Aire comprimido (80-100 psi)

Mantenimiento del sistema neumático

- Revise que:

- Los adaptadores neumáticos estén apretados y no haya pérdidas.
- Las columnas de agua, o los filtros y las líneas de aire comprimido se drenen diariamente, y que los sistemas de drenaje automáticos funcionen correctamente.
- Las líneas de aire comprimido estén limpias para evitar que se congelen, especialmente en invierno.
- El funcionamiento del lubricador se examine periódicamente y que el suministro de lubricante sea adecuado (Pieza N° 403720 de Paslode).
- Se limpie el filtro cada seis meses.
- Sólo se use aire regulado y que cada regulador funcione correctamente.

INSTALACION DE LA HERRAMIENTA



PELIGRO

La presión de aire en la herramienta nunca debe exceder 120 psi.

Su herramienta Paslode® está lista para usarse y se puede instalar siguiendo estos pasos:

1. **SEGURIDAD:** Antes de usar la herramienta, todos los operadores y sus supervisores inmediatos deben familiarizarse con las Instrucciones de seguridad de la página 2 de este manual.
2. Con cada herramienta se entrega una copia de este manual y otra del diagrama de las herramientas. Conserve estas publicaciones para cualquier consulta futura. Además, se incluye una tarjeta de registro, que debe llenarse y devolverse inmediatamente a Paslode para que su herramienta quede registrada.
3. Quite la cubierta plástica en la entrada del aire de la herramienta antes de instalar el adaptador macho. Se requiere un adaptador neumático tipo macho, que descargue el aire de la herramienta cuando se desconecte la línea de aire comprimido.
4. Instale una unidad de filtro/ regulador/ lubricador con un calibre, tan cercano al de la herramienta como sea posible, de preferencia a menos de tres metros. Consulte la sección Sistemas neumáticos de este manual sobre la longitud y los requisitos de las mangueras de aire comprimido. En general, no se exige ninguna otra instalación especial.
5. Si el operador usa una mesa para trabajar, se aconseja colocar la línea de aire comprimido debajo de la misma. Se puede colocar una pequeña bandeja en la parte inferior de la mesa para guardar los sujetadores y la herramienta cuando no estén en uso.
6. Si la herramienta no funciona cuando se conecta por primera vez, no trate de repararla; llame de inmediato al representante de Paslode.



PELIGRO

La presión neumática en la herramienta nunca debe exceder 120 psi.

FUNCIONAMIENTO DE LA HERRAMIENTA

Regulación de la profundidad de colocación (en herramientas que tienen esta característica)



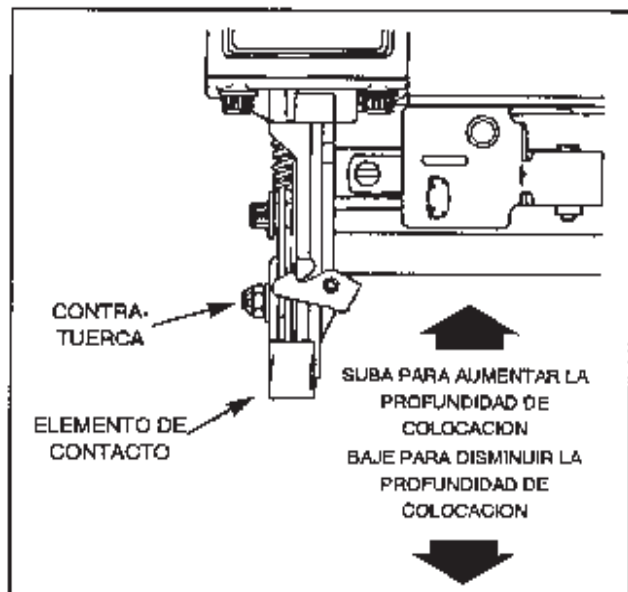
PELIGRO

Apunte la herramienta en alguna dirección en que no haya peligro. Desconéctela de la fuente de aire comprimido y quítela todos los sujetadores.

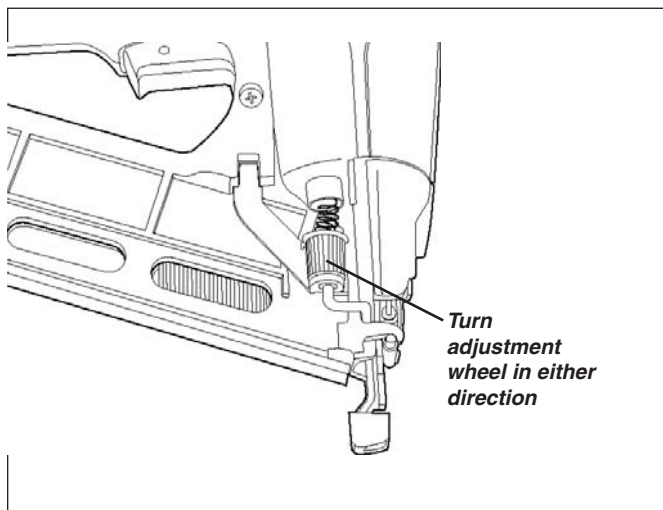
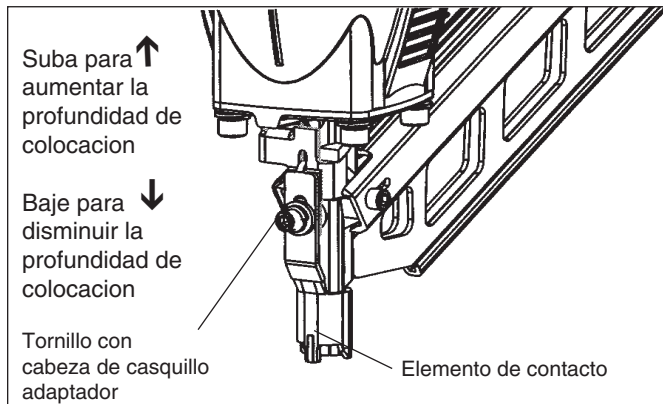
La profundidad de colocación se logra regulando el elemento de contacto. Afloje la contratuerca para poder mover dicho elemento hacia arriba o hacia abajo, usando una llave de 3/8 de pulgada o una llave inglesa de casquillo adaptador hexagonal de 5/32 de pulgadas.

Si la herramienta excede la profundidad deseada (la cabeza del sujetador es impulsada por debajo de la superficie de trabajo), baje el elemento de contacto. Si los sujetadores sobresalen (la cabeza del sujetador no está al mismo nivel que la superficie de trabajo), suba el elemento de contacto.

Mueva el elemento de contacto hasta que la cabeza del sujetador quede a la profundidad deseada.



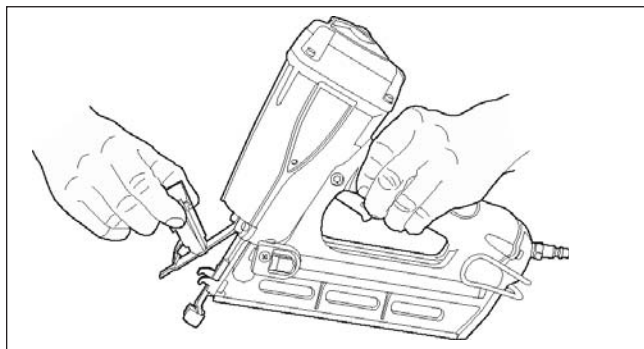
FUNCIONAMIENTO DE LA HERRAMIENTA (continuación)



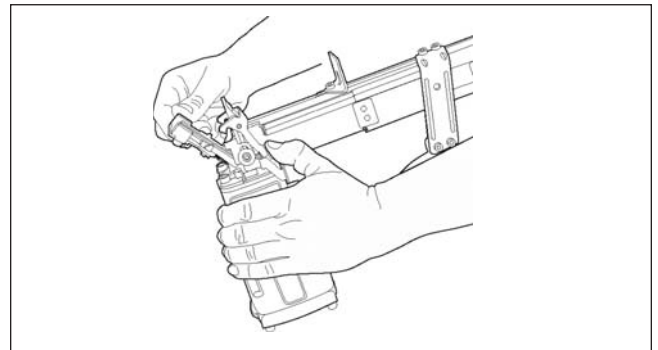
Para desatorar la clavadora

Un problema típico que puede encontrar es una clavadora con clavos atorados. Debido al diseño único de la clavadora Paslode, es muy sencillo sacar los clavos atorados:

1. Desconecte el aire.
2. Deslice el seguro para soltar la quía delantera y hágala pivotear hacia adelante.
3. Quite los clavos atorados y empuje la hoja del impulsador hacia atrás hasta la posición normal de retorno.
4. Cierre la guía delantera y asegúrela. Verifique que el elemento de contacto no esté obstruido.



para desatorar la clavadora (continuación)



Colocación precisa (Naranja)

- Tome firmemente la herramienta por el mango y sosténgala de modo que la base del elemento de contacto quede bien apoyada en el material de trabajo.
- Apriete el gatillo para disparar el sujetador.
- Separe la herramienta del material de trabajo.
- Repita el mismo procedimiento con el próximo sujetador.

Impulsos sucesivos (de rebote) (Naranja)

- Tome la herramienta firmemente por el mango.
- Apriete el gatillo y mueva la herramienta a lo largo del material de trabajo con un movimiento de rebote, oprimiendo el elemento de contacto en los lugares donde quiera colocar un sujetador.
- Manteniendo apretado el gatillo, continúe haciendo rebotar el elemento de contacto contra el material de trabajo, colocando cuidadosamente la herramienta, como se indica más arriba.
- Una vez que haya colocado todos los sujetadores necesarios, deje de oprimir el gatillo para evitar que salgan más.

⚠ PELIGRO ⚠

No sujete ni sostenga el gatillo con ninguna otra cosa que no sea la mano.

Funcionamiento en secuencia (Gris)

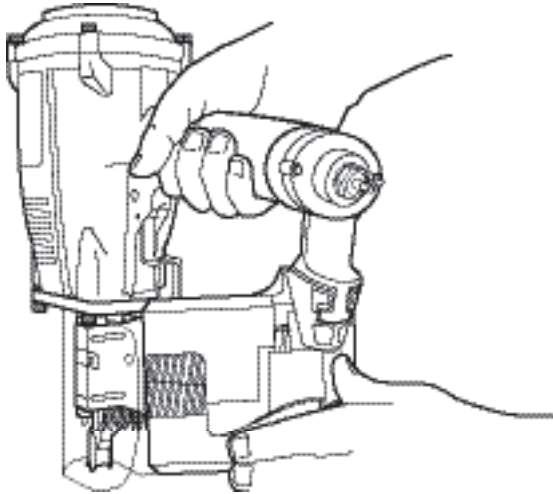
El juego de funcionamiento en secuencia evita los impulsos sucesivos o "de rebote".

- Oprima el elemento de contacto y manténgalo apoyado contra el material de trabajo antes de apretar el gatillo.
- Después de haber impulsado cada sujetador, suelte completamente el gatillo y levante la herramienta del material de trabajo.

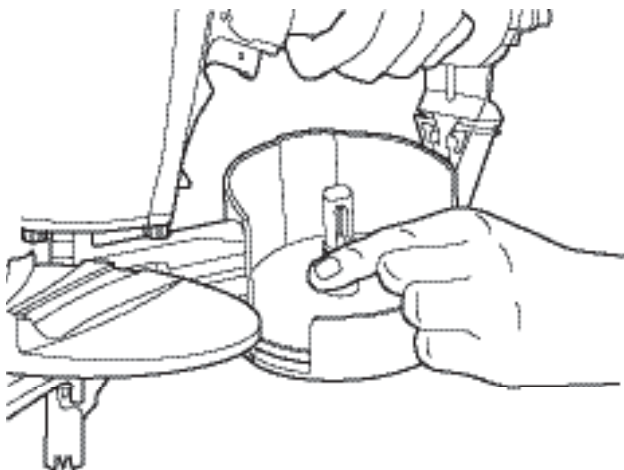
COMO CARGAR LA HERRAMIENTA

Clavadora de Rollo de clavos

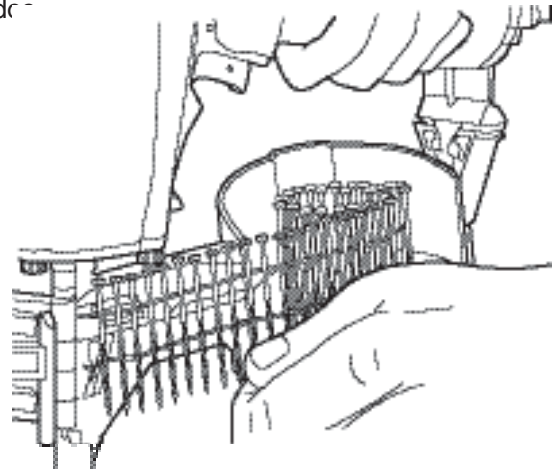
Paso 1: Tome firmemente la clavadora por el mango con una mano y con la otra abra la pinza de la cubierta del cargador. Después abra bien la puerta del cargador.



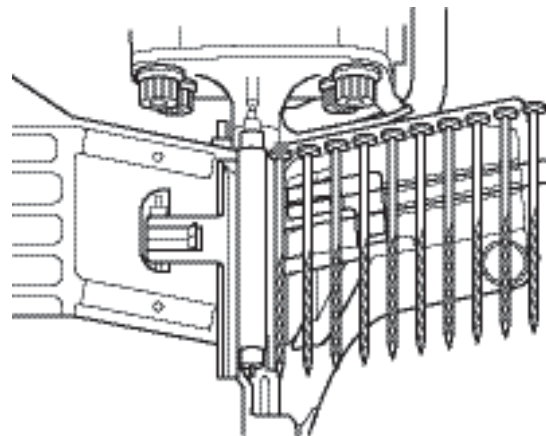
Paso 2: Si fuera necesario, adapte la bandeja del cargador a la longitud de los clavos, sacándola un poquito para poder levantarla o bajarla a la posición deseada.



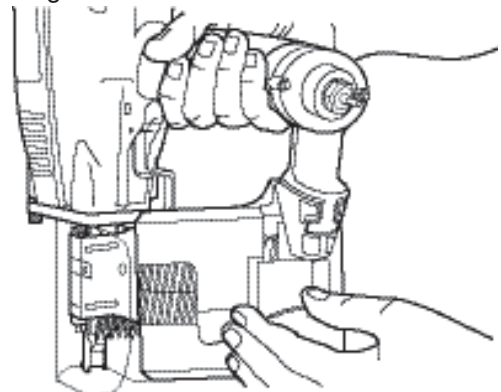
Paso 3: Quite el retén de un rollo de clavos y coloque el rollo en el cargador, de modo que la punta de los clavos se apoye en la bandeja, teniendo unos 10 cm de clavos desenrollados.



Paso 4: Haga deslizar la tira de clavos desenrollada a lo largo de la parte superior del alimentador: ponga el primer clavo entre el gancho del alimentador y localizador.



Paso 5: Cierre cuidadosamente la puerta del cargador y póngale el seguro.



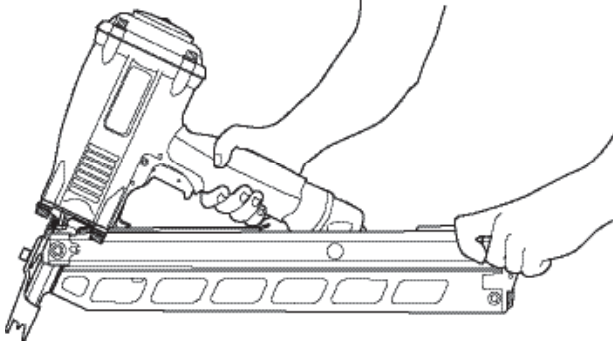
Paso 6: Empuje hacia adelante el primer clavo hasta la posición de impulso, haciendo adelantar la herramienta un ciclo contra la superficie de trabajo. La clavadora está ahora lista para usarse.

⚠ PELIGRO

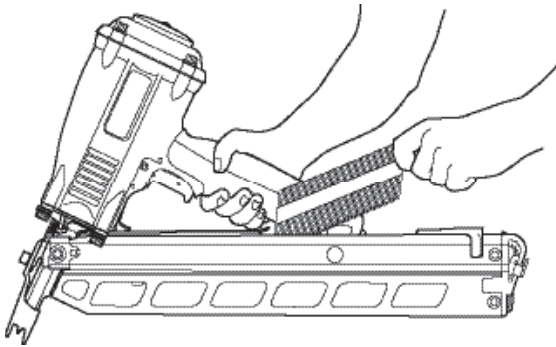
Tenga cuidado de no sacar demasiado la bandeja, porque se podría desenganchar y estirar el resorte.

Clavadoras RHP-350 y PowerMaster Plus™

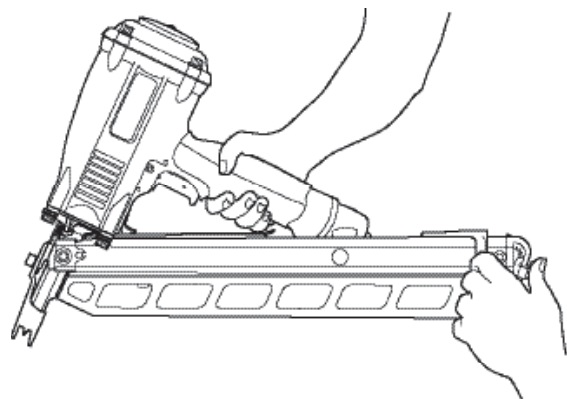
Paso 1: Agarre con firmeza el mango de la clavadora. Tire del transportador del cargador completamente hacia la parte trasera del cargador hasta que se enganche en su posición de carga por medio del seguro del cargador.



Paso 2: Coloque una tira de sujetadores en la parte superior del cargador, de modo que la punta de los clavos quede hacia el área de la punta de la herramienta.

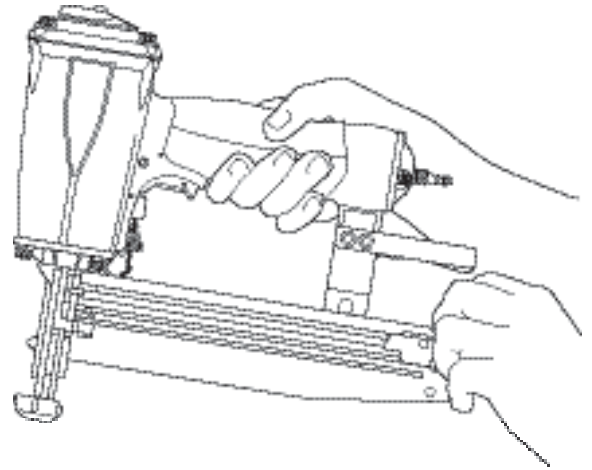


Paso 3: Sujete el transportador con firmeza y oprima el seguro del transportador. Deslice el transportador hacia adelante hasta que haga contacto con los clavos. La herramienta está ahora lista para usarse.

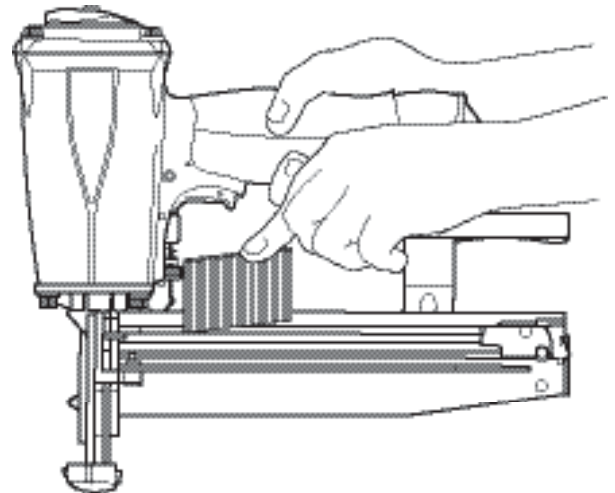


Grapadora de serie T250-F16

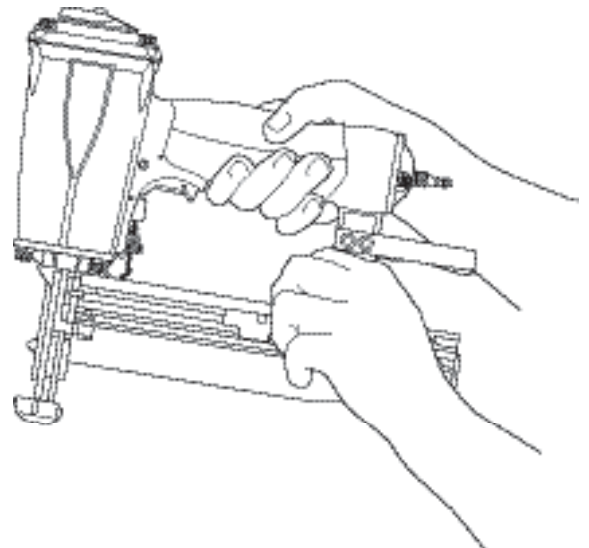
Paso 1: Tome la clavadora firmemente con una mano.



Paso 2: Coloque la tira de modo que la punta de sujetadores quede hacia abajo del cargador.

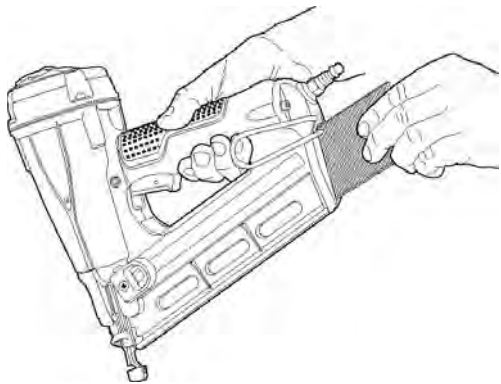


Paso 3: Empuje firmemente el cargador hacia adelante hasta que esté asegurado. La herramienta ya está lista para usarse.



Grapadora de serie T250A-F16

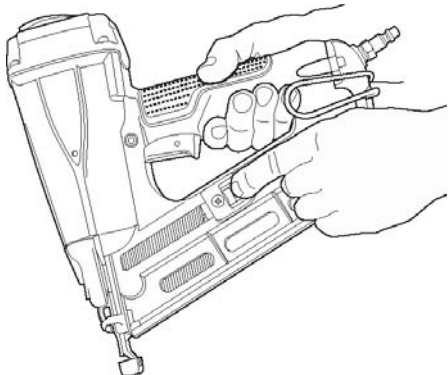
Paso 1: Alinee las cabezas de los clavos de acabado angulados Paslode con el canal de clavitos plateado en la parte posterior del cargador e introduzca una o dos tiras. Empuje las tiras de clavos hacia adelante.



Paso 2: Luego, mientras oprime la palanca de liberación, tire del seguidor hacia la parte posterior del cargador hasta que el seguidor haya pasado la última tira de clavos. Suelte la palanca del seguidor y deje que el mismo mueva los clavos hacia adelante dentro de la boca de la herramienta.

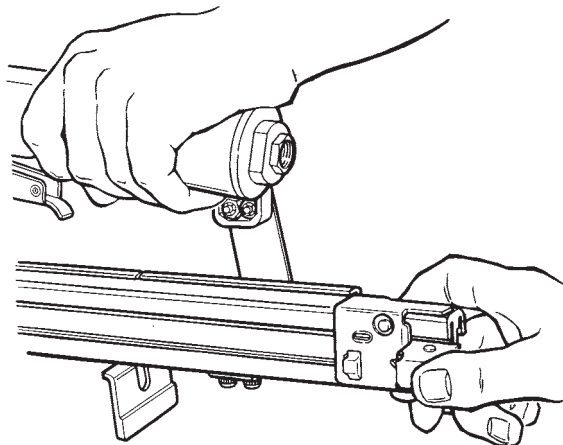


Paso 3: Cuando la flecha aparezca en el área de recarga, marcada en el lado del cargador, usted puede introducir una nueva tira de clavos. Cuando la flecha de seguidor alcance al área de bloqueo, la herramienta se bloquea automáticamente para evitar su funcionamiento. Para desenganchar la herramienta, recargue simplemente otra tira de clavos.

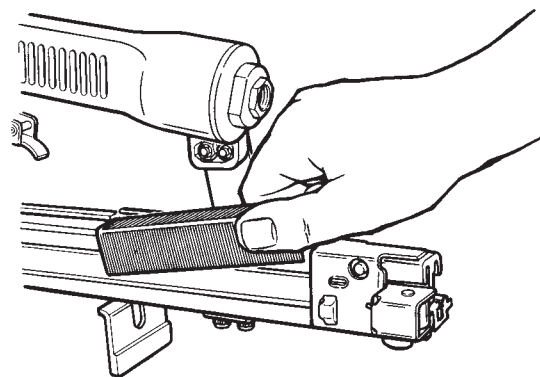


GRAPAS

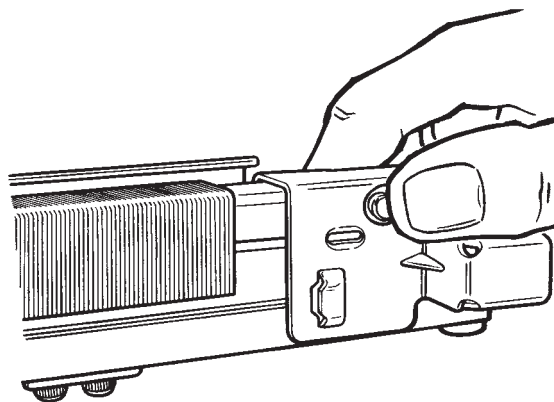
Paso 1: Tire del transportador del riel hasta que quede asegurado en el extremo del cargador. La cubierta del riel se abrirá automáticamente.



Paso 2: Coloque la tira de grapas en el riel del cargador.



Paso 3: Apriete el botón de apertura del seguro del transportador, o abra el transportador y hágalo deslizar hacia adelante hasta ponerlo en contacto con la tira de grapas. La herramienta está ahora lista para usarse.



MANTENIMIENTO

El mantenimiento de cualquier herramienta Paslode® es simple. Su funcionamiento sin problemas y la prolongación de la vida de la herramienta se logran siguiendo un sencillo procedimiento. Las personas encargadas de usar y mantener la herramienta deben leer las instrucciones de seguridad y mantenimiento. Estudie los diagramas antes de hacer cualquier reparación.

Las herramientas neumáticas deben revisarse periódicamente, y se deben cambiar las piezas gastadas o deterioradas para que la herramienta siga funcionando con eficiencia y sin peligro. Además, se debe revisar la tabla de mantenimiento frecuentemente.

Cuando hace mucho frío

Cuando la temperatura es inferior a la de congelamiento, las herramientas deben mantenerse a la temperatura ambiente por el método más seguro y conveniente. De lo contrario, aconsejamos seguir el siguiente procedimiento para calentar las piezas de la herramienta.

- ┐ Disminuya la presión regulada del aire comprimido a 30 psi.
- ┐ Quite todos los sujetadores de la herramienta.
- ┐ Conecte una línea de aire comprimido y haga unos disparos al aire con la herramienta. La presión reducida del aire será suficiente para lograrlo. El funcionamiento a poca velocidad tiende a calentar las partes móviles. Disminuyendo la velocidad del pistón es posible dar cierta elasticidad al amortiguador y a los "O rings".



- ┐ Una vez que la herramienta se haya calentado, ajuste nuevamente el regulador a la presión apropiada para trabajar y cargue de nuevo la herramienta.
- ┐ Además, los operadores que trabajen al aire libre o en áreas sin calefacción con temperaturas extremadamente frías tienen que:
Usar en el lubricador el aceite neumático de Paslode con "antifreeze" N° 219090 (8 oz.)
- ┐ Una vez por semana, según el uso que le dé a su herramienta, desármela y lávela con el solvente de Paslode® Pieza N° 219086, para eliminar cualquier suciedad y asegurarse de que la herramienta siga funcionando bien.



Al usar solventes para limpiar herramientas neumáticas se destruye la delgada capa de grasa lubricante, que se aplica en la fábrica, de la pared del cilindro y de los "O rings". Use grasa Chemplex (Pieza

N° 403734 de Paslode®) para reemplazar la capa de grasa lubricante.

- ┐ Abra, por lo menos diariamente, el drenaje del tanque del compresor del aire para eliminar cualquier humedad, cuando haga mucho frío o el grado de humedad sea muy alto. Poniendo una pequeña cantidad de descongelante en el tanque evitará que la humedad se congele.

Probar la herramienta después de usarla

Después de reemplazar una o más piezas, es importante comprobar si la herramienta funciona como es debido. Esto asegura que todas las piezas estén puestas como corresponde, y que la herramienta es segura y funcionará correctamente.

- ┐ Verifique que ninguna pieza de la herramienta esté floja.
- ┐ Compruebe que el elemento de contacto haya sido correctamente instalado en relación con el gatillo y que ambas piezas se muevan libremente.
- ┐ Verifique que el cargador esté colocado correctamente.
- ┐ Verifique que la información sobre seguridad, que está en la herramienta, sea legible.
- ┐ Use solamente sujetadores aprobados por Paslode y compruebe que sean los apropiados para su aplicación.
- ┐ Verifique que se haya conectado firmemente un adaptador macho a la herramienta.
- ┐ Pruebe la herramienta impulsando sujetadores en un material de trabajo idéntico al de la aplicación.
- ┐ Verifique que no haya pérdidas de aire en la herramienta durante las pruebas y revise la secuencia apropiada de funcionamiento.
- ┐ Asegúrese de que todos los sujetadores sean impulsados a la misma profundidad y que la cabeza del sujetador esté al ras con el material de trabajo.

Lubricación de la herramienta

Es muy importante lubricar la herramienta correctamente, manteniendo lleno el lubricador de la línea de aire comprimido y correctamente regulado. Sin la lubricación apropiada la herramienta no funcionará como es debido y sus piezas se gastarán prematuramente.



Use el lubricante apropiado en el lubricador de la línea de aire comprimido. El lubricador debe ser del tipo para corriente de aire baja o variable, y tiene que estar lleno hasta el nivel apropiado. Use sólo los lubricantes recomendados por Paslode, porque otros lubricantes podrán dañar el caucho de los "O rings" y otras piezas de caucho. El lubricante N° 403720 de Paslode (237 ml) es un aceite lubricante especial para aplicaciones neumáticas.

Si no se instala un filtro/regulador/lubricador en el sistema neumático, las herramientas neumáticas deben ser lubricadas, por lo menos, diariamente, poniendo entre 6 y 20 gotas de aceite, según sea el tipo de trabajo que se realice, directamente a través del adaptador macho.

Usando la siguiente tabla de mantenimiento es posible resolver rápida y fácilmente la mayoría de los pequeños problemas. Si un determinado problema persiste, comuníquese con el representante de Paslode.

MANTENIMIENTO (continuación)

TABLA DE MANTENIMIENTO

 PRECAUCION 
Desconecte la herramienta al hacer cualquier reparación o eliminar cualquier obstrucción.

ACTIVIDAD	POR QUE	COMO
Drenar el filtro de la línea de aire comprimido (todos los días).	Para evitar que se acumulen la humedad y la suciedad.	Abra la llave de escape. (La mayoría de los sistemas neumáticos la tienen.)
Mantener lleno el lubricador.	Para mantener lubricada la herramienta.	Llene con lubricante neumático Paslode: N° 403720 (237 ml).
Limpiar el elemento del filtro; luego, soplar aire a través del filtro en dirección opuesta a la corriente normal.	Para evitar que la suciedad obstruya el filtro.	Lave con agua y jabón, o siga las instrucciones del fabricante.
Verificar que todos los tornillos de la herramienta estén apretados.	Para evitar pérdidas de aire y asegurar el buen funcionamiento de la herramienta.	Revise diariamente los tornillos.
Revisar si el elemento de contacto funciona correctamente.	Para promover la seguridad del operador y el buen funcionamiento de la herramienta.	Límpielo con aire todos los días.
Mantener limpios los mecanismos del cargador y del alimentador.	Para prevenir que se obstruyan los sujetadores.	Límpielos con aire todos los días.
Lubricar los "O rings" que se hayan reemplazado.	Para prolongar la vida de la herramienta y su funcionamiento adecuado.	Use grasa lubricante Chemplex: N° 403734.
Usar solamente piezas de repuesto de Paslode®	Para que la herramienta continúe funcionando eficientemente y mantener vigente la garantía de Paslode.	Solicite al representante de Paslode cualquier pieza de repuesto que necesite.

DETECCION Y CORRECCION DE FALLAS



PRECAUCION

Desconecte la herramienta al hacer cualquier reparación o eliminar cualquier obstrucción.

PROBLEMA	SOLUCION
Los sujetadores no penetran completamente en la madera.	Cambie la posición del elemento de contacto (acorte la longitud). Aumente la presión de aire (no debe exceder 120 psi).
Los sujetadores penetran bien durante las operaciones normales, pero fallan a velocidades más altas.	Aumente el flujo de aire a la herramienta; use líneas de aire comprimido más grandes (3/8 de pulgada de diámetro como mínimo).
Los sujetadores penetran demasiado en la madera.	Cambie la posición del elemento de contacto (alargue la longitud). Reduzca la presión del aire.
Los sujetadores se acumulan en la punta de la herramienta.	Abra el seguro delantero, quite el sujetador obstruido y cierre bien el seguro.
La herramienta "salta" mientras está funcionando; de vez en cuando no impulsa sujetadores.	Compruebe si el cargador tiene los sujetadores apropiados. El transportador debe deslizarse sin dificultad. Límpielo para quitar cualquier suciedad. Verifique que se usen los sujetadores apropiados. Use solamente sujetadores que reúnan las especificaciones de Paslode®. Aumente el flujo de aire a la herramienta; use líneas de aire comprimido más grandes (3/8 de pulgada de diámetro como mínimo). Ajuste el elemento de contacto donde sea posible.
La herramienta funciona, pero no dispara sujetadores.	Compruebe si el cargador tiene los sujetadores apropiados. Los sujetadores deben deslizarse libremente sin presión del transportador. Abra el seguro delantero o afloje el botón del cargador y revise si hay suciedad o alguna obstrucción en el área de la punta. Límpiela si es necesario. Aumente la presión de aire (no debe exceder 120 psi).
Hay pérdidas de aire en la cubierta cuando la herramienta está conectada a la línea de aire comprimido.	Apriete los tornillos.

GARANTIA



TERMINOS DE LA GARANTIA

Paslode® garantiza que sus herramientas neumáticas, sus piezas y accesorios, que hayan sido comprados nuevos, están libres de defectos de material y fabricación (excluyendo las piezas que sufren desgaste), por el período indicado más abajo a partir de la fecha de compra del comprador original.

GARANTIA LIMITADA DE 90 DIAS

La garantía limitada de 90 días cubre todas las piezas, con excepción de las que estén específicamente cubiertas por una garantía adicional.

GARANTIA LIMITADA ADICIONAL PARA APLICACIONES EN EL LUGAR DE CONSTRUCCION

Todas las piezas fundidas del armazón y de la cubierta están cubiertas por una garantía de un año. Todas las piezas del cargador están cubiertas por una garantía de seis meses.

PIEZAS QUE SUFREN DESGASTE NORMAL

Las siguientes piezas se consideran como piezas que sufren desgaste normal y no están cubiertas por ninguna garantía.

- Amortiguador
- Hojas del impulsor
- "O rings"
- Anillos del pistón

DECLARACION DE LA GARANTIA

Paslode® asume únicamente la responsabilidad de reponer cualquier pieza o accesorio que se compruebe que esté defectuoso dentro del período especificado. Cualquier pieza o accesorio de repuesto, entregado de conformidad con esta garantía, gozará de la garantía por el período restante de la garantía que cubría a la pieza o al accesorio reemplazados.

Se cancelará esta garantía para cualquier herramienta que haya sido usada incorrectamente, dañada accidental o intencionalmente, usada con sujetadores que no reúnan las especificaciones, el tamaño o la calidad de Paslode, o a la que no se le haya dado el mantenimiento o el uso adecuado, o que haya sido reparada con piezas que no sean marca Paslode, o que en opinión de Paslode hayan sido modificadas o reparadas de manera que afecte o sea contraria al funcionamiento de la herramienta.

PASLODE NO OTORGA NINGUNA GARANTIA EXPLICITA O IMPLICITA CON RESPECTO A LA COMERCIALIZACION O ADAPTACION AL USO PREVISTO, O DE CUALQUIER OTRA NATURALEZA, CON EXCEPCION DE LO DECLARADO ANTERIORMENTE, y la responsabilidad de Paslode, TAL COMO SE INDICA Y SE ASUME MAS ARRIBA reemplaza a todas las otras garantías que se desprendan o estén en conexión con el uso y funcionamiento de la herramienta, excepto según lo estipulen las leyes pertinentes. PASLODE NO ES RESPONSABLE POR NINGUN DAÑO DIRECTO, INDIRECTO O CONSECUENTE, INCLUYENDO, AUNQUE NO SE LIMITE AL MISMO, CUALQUIER DAÑO COMO RESULTADO DE LA PERDIDA DE PRODUCCION O GANANCIAS ANTICIPADAS, DESECHO DE MATERIALES, AUMENTO EN EL COSTO DE LA OPERACION O DE CUALQUIER OTRA MANERA.

Paslode se reserva el derecho de cambiar las especificaciones, el equipo o los diseños en cualquier momento, sin aviso previo y sin incurrir en obligación alguna.