



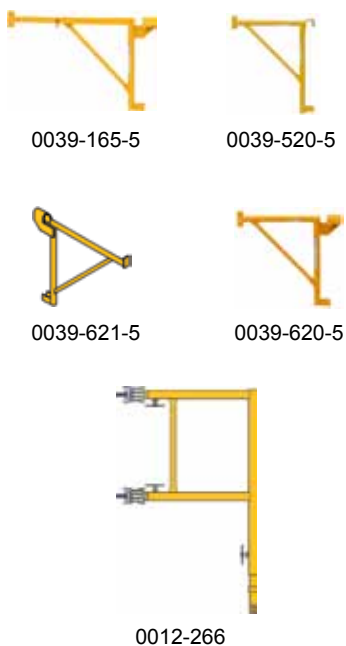
Click Here To View
Item at

www.GapPower.com

Sales • Rentals
Parts & Service

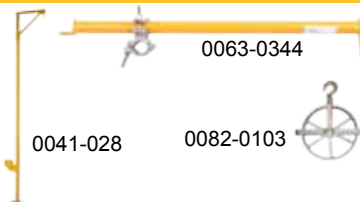
Brackets / Hoist Arm / Outrigger / Putlogs

SIDE AND END BRACKETS - specify tube size



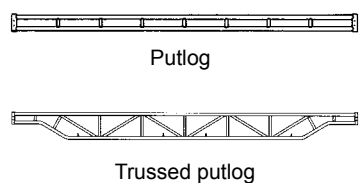
| Part Number | Description | Capacity | Weight |
|--|--|----------|--------|
| SIDE BRACKETS | | | |
| 0039-620-__ | 20" Saddle hanger with tube end | 500 lb | 9 |
| 0039-624-__ | 24" Saddle hanger with tube end | 500 lb | 10 |
| 0039-630-__ | 30" Saddle hanger with tube end | 500 lb | 13 |
| 0039-165-__ | 20" - 30" Adjustable saddle hanger with tube end | 500 lb | 14 |
| 0039-124 | 12" Saddle hanger with plate end | 500 lb | 6 |
| 0039-621 | 21" Saddle hanger with plate end | 500 lb | 9 |
| 0039-720-__ | 20" Angle iron hanger - side hang-on with tube end | 500 lb | 9 |
| 0039-724-__ | 24" Angle iron hanger - side hang-on with tube end | 500 lb | 11.5 |
| 0039-730-__ | 30" Angle iron hanger - side hang-on with tube end | 500 lb | 13 |
| 0039-171-__ | 20" - 30" Adjustable angle iron hanger with tube end | 500 lb | 14 |
| END BRACKETS | | | |
| 0039-520-__ | 20" End and side hang-on with tube end | 500 lb | 10.5 |
| 0039-524-__ | 24" End and side hang-on with tube end | 500 lb | 13 |
| 0039-530-__ | 30" End and side hang-on with tube end | 500 lb | 14 |
| END GUARD RAIL FOR SIDE BRACKET | | | |
| 0012-266 | End guard rail for 20" to 30" side bracket | | 19 |

HOIST ARM - WELL WHEEL - TIE BRACE



| Part Number | Description | Weight |
|-------------|-----------------------|--------|
| 0041-028 | Swivel head hoist arm | 29 |
| 0082-0103 | 10" Well wheel | 9.3 |
| 0063-0344 | Scaffold tie brace | 11 |

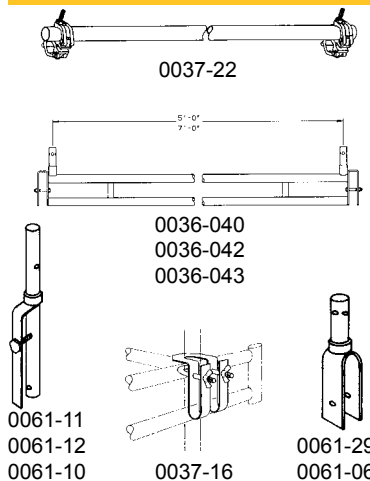
PUTLOGS



| Part Number | Description | Weight | Part Number | Description | Weight |
|-------------|----------------------|--------|-------------|----------------------|--------|
| 0036-178 | 8' Putlog | 24 | 0036-602 | 18' Putlog - trussed | 79 |
| 0036-180 | 10' putlog | 30 | 0036-603 | 20' Putlog - trussed | 92 |
| 0036-182 | 12' Putlog | 36 | 0036-604 | 22' Putlog - trussed | 101 |
| 0036-600 | 14' Putlog - trussed | 47 | 0036-605 | 24' Putlog - trussed | 111 |
| 0036-601 | 16' Putlog - trussed | 70 | 0036-606 | 26' Putlog - trussed | 118 |

Other putlog sizes available. Contact factory.

PUTLOG ACCESSORIES



| Part Number | Description | Weight |
|-------------|---|--------|
| 0037-16 | Putlog angle hanger | 3.5 |
| 0061-11 | Offset insert saddle (tube size 5) | 3 |
| 0061-12 | Offset insert saddle (tube size 6) | 3 |
| 0061-10 | Offset insert saddle (tube size 7) | 3 |
| 0061-29 | Insert saddle (tube size 5) | 3 |
| 0061-06 | Insert saddle (tube size 6) | 3 |
| 0061-23 | Insert saddle (tube size 7) | 3 |
| 0037-22 | Putlog support 8' long with clamps | 20 |
| 0036-040 | Putlog spreader - 5' frame sp (tube size 6) | 24 |
| 0036-042 | Putlog spreader - 5' frame sp (tube size 5) | 14 |
| 0036-043 | Putlog spreader - 7' frame sp (tube size 5) | 24 |

Other putlog accessories available. Contract factory.