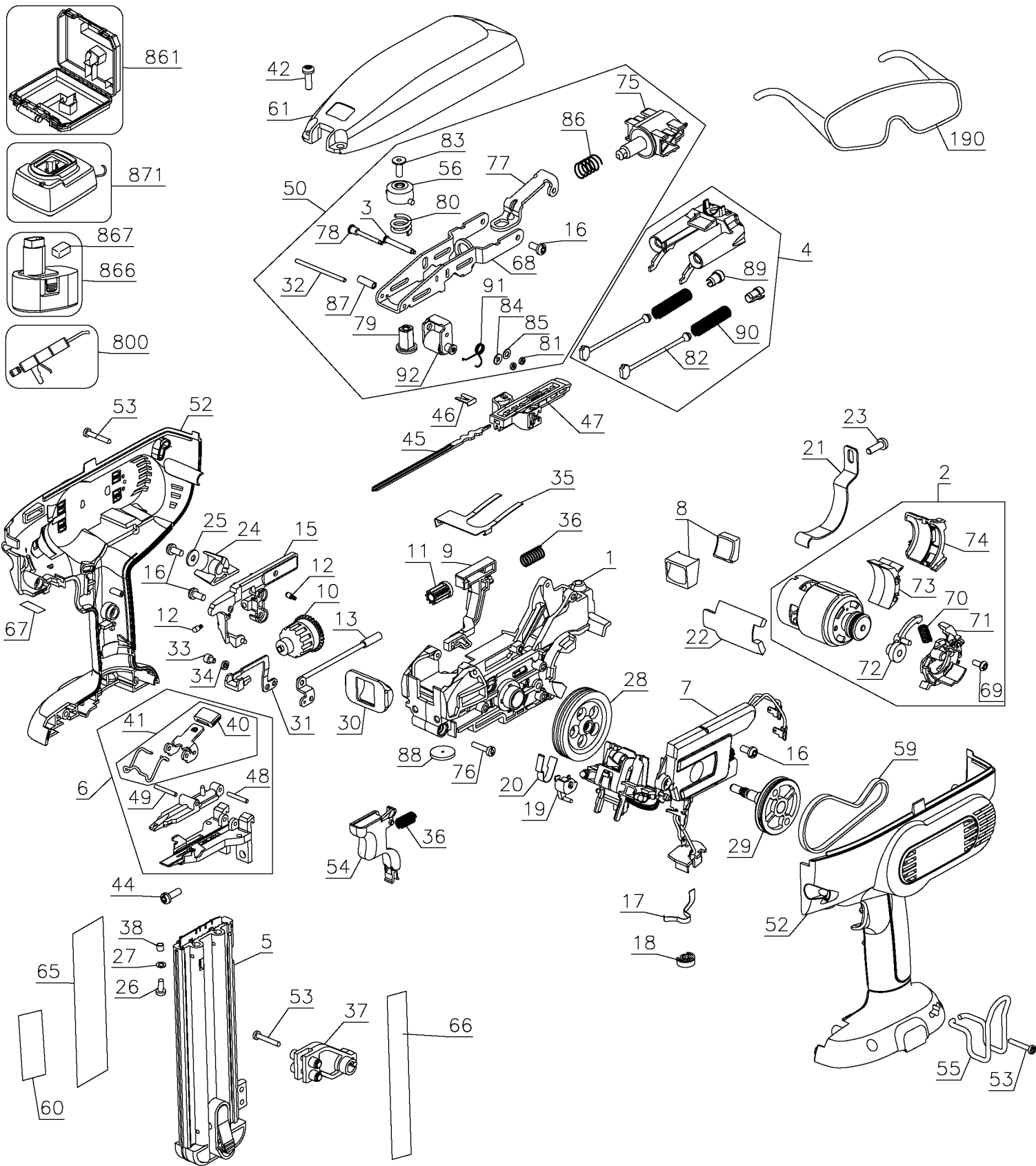




Click Here To View
Item at

www.GapPower.com

*Sales • Rentals
Parts & Service*



Parts List for DC608K Type 1

Item Number	Part Number	Description	Qty Required
1	631990-00SV	BACKBONE ASSEMBLY	1
2	647712-00SV	MOTOR & PINION ASSY	1
3	633207-00	PIN	1
4	648024-00SV	RETURN DEVICE	1
5	646665-00	MAGAZINE ASSEMBLY	1
6	646666-00	NOSEPIECE ASSY.	1
7	N010050	CONTROL MODULE	1
8	613869-00SV	BUMPER	1
9	637597-00	CONTACT TRIP	1
10	637596-00	DEPTH ADJUST KNOB	1
11	637599-00	PINION	1
12	326467-00	DETENT	2
13	639284-00	CONTACT TRIP	1
15	637601-00	COVER	1
16	613619-03	THREAD FORMING SCREW	10
17	638317-00	LINKAGE	1
18	639070-00	HUB	1
19	639246-00	LINKAGE	1
20	639247-00	SPRING	1
21	638678-00	MOTOR STRAP	1
22	640432-00	PAD	1
23	609932-01	SCREW	1
24	641296-00	PADDLE	1
25	651644-00	WASHER	1
26	330045-69	THREAD FORMING SCREW	2
27	398218-00	WASHER	2
28	631987-00	FLYWHEEL	1

COPYRIGHT© 2005. All Rights Reserved.

Parts list, pricing, and availability subject to change. Please visit www.dewaltservicenet.com for current parts information.

Parts List for DC608K Type 1

Item Number	Part Number	Description	Qty Required
29	631995-00	SPINDLE PULLEY ASSY	1
30	638469-00	BUMPER	1
31	646254-00	CONTACT TRIP	1
32	330041-61	ROLLER PIN	1
33	330045-68	THREAD FORMING SCREW	1
34	098197-03	LOCK WASHER	1
35	650225-00	LIFTER	1
36	653099-00	COMPRESSION SPRING	2
37	639696-00	CONNECTOR	1
38	395505-00	BUSHING	2
40	395093-00	COVER/LATCH	1
41	607178-00	LATCH ASSY.	1
42	609932-01	SCREW	3
44	613619-02	THREAD FORMING SCREW	2
45	635241-00	DRIVER BLADE	1
46	392206-00	CLIP	1
47	632232-00	PROFILE	1
48	330036-24	ROLL PIN	1
49	330036-22	ROLL PIN	1
50	633204-00SV	POWER TAKE-OFF ASSY.	1
52	648060-00	CLAMSHELL SET	1
53	330019-05	SCREW, PLASTITE	8
54	640344-00	TRIGGER	1
55	632382-00	BELT HOOK	1
56	644209-00	SPRING	1
59	650935-00	DRIVE BELT	1
60	648236-00	NAMEPLATE	1

COPYRIGHT© 2005. All Rights Reserved.

Parts list, pricing, and availability subject to change. Please visit www.dewaltservicenet.com for current parts information.

Parts List for DC608K Type 1

Item Number	Part Number	Description	Qty Required
61	639123-00	COVER	1
65	648237-00	WARNING LABEL	1
66	623351-00	INFORMATION LABEL	1
67	632383-00	LABEL	1
68	633206-00	CARRIAGE	1
69	330045-05	LOCK SCREW	2
70	639189-00	COMPRESSION SPRING	1
71	639186-00	TRANSMISSION PLATE	1
72	647713-00SV	IDLER ASSEMBLY	1
73	640444-00	RUBBER WIRE TRAP	1
74	640455-00	MTR LWIRE GUIDE	1
75	633021-00	SOLENOID	1
76	613619-00	SCREW, THD. FORM	5
77	644206-00	SPRING	1
78	638872-00	PIN	1
79	644205-00	SPRING KEEPER	1
80	644213-00	COMPRESSION SPRING	1
81	391814-00	GROMMET	2
82	392243-00	BAND	2
83	N001440	SCREW	1
84	330016-26	WASHER, PLAIN	1
85	330016-25	PLAIN WASHER	1
86	644210-00	COMPRESSION SPRING	1
87	645151-00	SLEEVE	1
88	624913-00	DISC	1
89	392242-00	STOP	2
90	392236-02	SPRING	2

COPYRIGHT© 2005. All Rights Reserved.

Parts list, pricing, and availability subject to change. Please visit www.dewaltservicenet.com for current parts information.

Parts List for DC608K Type 1

Item Number	Part Number	Description	Qty Required
91	N009845	TORSION SPRING	1
92	647895-00SV	CARRIER ASSY.	1
190	629042-01	SAFETY GLASSES	1
800	5140024-25	GREASE	1
861	650354-00	KIT BOX	1
866	DC9096	BATTERY PACK	1
867	645221-00	BATTERY CAP	1
871	388683-12	1 HOUR CHARGER	1

COPYRIGHT© 2005. All Rights Reserved.

Parts list, pricing, and availability subject to change. Please visit www.dewaltservicenet.com for current parts information.