



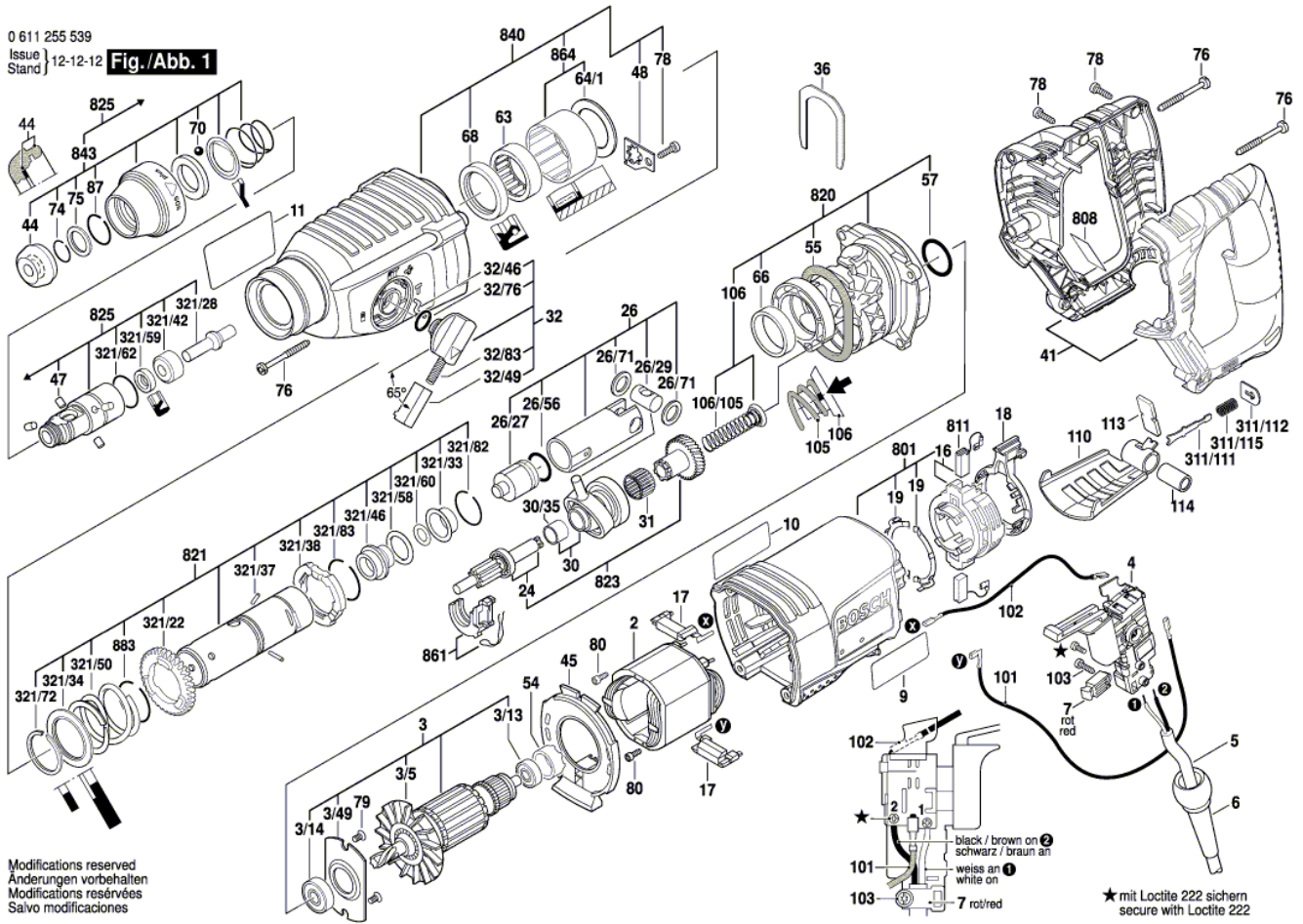
Click Here To View  
Item at

[www.GapPower.com](http://www.GapPower.com)

*Sales • Rentals  
Parts & Service*



0 611 255 539  
Issue 12-12-12  
Stand } **Fig./Abb. 1**



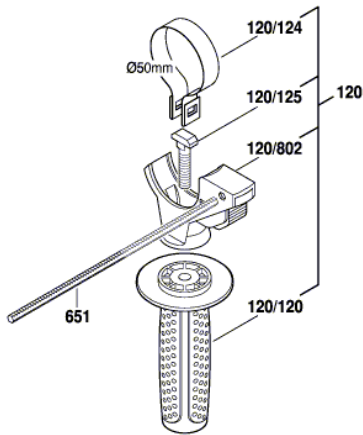
Modifications reserved  
Änderungen vorbehalten  
Modifications réservées  
Salvo modificaciones

black / brown on ②  
schwarz / braun an ②  
weiss an ①  
white on ①  
7 rot/red  
★ mit Loctite 222 sichern  
secure with Loctite 222



0 611 255 539  
Issue }  
Stand } 12-12-12

**Fig./Abb. 2**



Modifications reserved  
Änderungen vorbehalten  
Modifications réservées  
Salvo modificaciones



Pos.	Part Number	Description	Pos.	Part Number	Description
2	1 614 220 177	FIELD	114	1 610 301 006	BUSHING
3/5	1 616 610 094	FAN	120	1 612 025 057	AUXILIARY HANDLE
3/13	1 610 905 025	DEEP-GROOVE BALL BEARING	120/120	1 612 025 058	AUXILIARY HANDLE
4	1 617 200 529	ON-OFF SWITCH	120/124	1 611 316 021	CLAMPING BAND
5	2 604 460 239	POWER SUPPLY CORD	120/125	1 613 490 002	T-HEAD BOLT
6	1 600 703 034	GROMMET	120/802	1 617 000 475	SUPPORT CLAMP
7	1 601 035 008	CABLE CLIP	311/111	1 611 016 004	TAPPET
9	1 611 110 Y39	MANUFACTURER'S NAMEPLATE	311/112	1 611 010 008	PRESSURE PLATE
10	1 611 110 Y40	MANUFACTURER'S NAMEPLATE	311/115	1 614 643 017	COMPRESSION SPRING
11	1 611 110 Y43	WARNING PLATE	321/22	1 616 312 004	CYLINDRICAL GEAR
14	1 610 905 006	DEEP-GROOVE BALL BEARING	321/28	1 613 124 081	STRIKER PIN
16	1 614 336 064	BRUSH PLATE	321/33	1 610 590 014	HOLDING JACKET
17	1 614 465 012	ADAPTER MODULE	321/34	1 610 190 049	SUPPORTING DISC
18	1 610 290 183	CLUTCH SLEEVE	321/37	1 613 100 019	STRAIGHT PIN
19	1 611 329 024	SWITCH CONTACT	321/38	1 610 190 048	CATCH DISK
24	1 617 000 556	TOOTHED SHAFT	321/42	1 610 102 073	THRUST RING
26	1 617 000 557	HAMMER PISTON	321/46	1 610 390 051	GUIDE BUSHING
26/27	1 610 311 018	STRIKER	321/50	1 614 611 020	COMPRESSION SPRING
26/29	1 613 105 012	PISTON PIN	321/58	1 610 210 178	O-RING
26/56	1 610 210 187	O-RING	321/59	1 610 283 035	ROTARY SHAFT LIP SEAL
26/71	1 610 101 011	SHIM RING	321/60	1 610 210 176	O-RING
30	1 615 819 028	DRIVE END SHIELD	321/62	1 610 210 179	O-RING
30/35	1 610 202 024	PLAIN BEARING	321/72	1 604 601 027	RETAINING RING
31	1 610 913 016	NEEDLE-ROLLER ASSEMBLY	321/82	1 614 601 034	RETAINING RING
32	1 612 026 037	CLAMP HANDLE	321/83	1 604 601 028	RETAINING RING
32/46	1 614 690 002	DRIVER PIN	651	1 613 001 009	DEPTH-GAUGE
32/49	1 612 026 035	SWITCH BUTTON	801	1 617 000 470	MOTOR HOUSING
32/76	1 610 210 046	O-RING	803	1 617 000 V31	ARMATURE WITH FAN
32/83	1 614 611 006	COMPRESSION SPRING	808	1 601 106 035	
36	1 611 016 003	HOLDING PLATE	811	1 617 000 525	CARBON-BRUSH SET
41	1 615 132 113	HANDLE COVER	820	1 617 000 562	INTERMEDIATE FLANGE
44	1 610 508 047	PROTECTIVE CAP	821	1 617 000 564	PIPE
45	1 610 522 013	AIR-DEFLECTOR RING	823	1 617 000 579	TOOTHED SHAFT
47	1 613 100 030	NEEDLE ROLLER	825	1 617 000 598	TOOL HOLDING FIXTURE
48	1 611 098 008	TAB WASHER	840	1 617 000 581	GEAR HOUSING
49	1 615 700 044	END SHIELD	843	1 617 000 582	PROTECTION SLEEVE
54	1 600 502 023	INTERMEDIATE RING	861	1 615 820 097	SWITCHING ELEMENT
55	1 610 290 226	SEALING RING	864	1 617 000 A07	
57	1 610 210 068	O-RING			
63	1 610 910 063	NEEDLE BUSH			
64	1 610 390 053	BUSHING			
66	1 610 202 021	PLAIN BEARING			
68	1 610 283 036	ROTARY SHAFT LIP SEAL			
70	1 903 230 013	BALL			
74	1 614 601 027	RETAINING RING			
75	1 610 101 629	RETAINING WASHER			
76	1 613 435 022	THREAD-FORMING TAP. SCREW			
78	2 603 490 022	TORX OVAL-HEAD SCREW			
79	1 613 435 023	THREAD-FORMING TAP. SCREW			
80	1 613 435 007	RECESSED-HEAD SCREW			
87	2 916 540 012	RETAINING RING			
101	1 614 449 018	CONNECTING CABLE			
102	1 614 449 019	CONNECTING CABLE			
103	2 603 490 017	TORX OVAL-HEAD SCREW			
106	1 614 611 022	PLAIN BEARING			
106/105	1 614 611 021	COMPRESSION SPRING			
110	1 615 510 007	STRAP			
113	1 611 015 057	STOP PLATE			