



# Illustrated Parts Manual

## **Models** **T350** **T500J**

SN 0030000001 to  
SN 0030012032

3121199

January 28, 2020 - Rev AJ

**ANSI**

**CE**



An Oshkosh Corporation Company



## REVISION LOG

December 15, 2004 - A - Original Issue Of Manual (Edited to B/M 0010612 Revision 3)  
March 15, 2005 - B - Revised Manual (Edited to B/M 0010612 Revision 5)  
August 31, 2005 - C - Revised Manual (Edited to B/M 0010612 Revision 8)  
February 15, 2006 - D - Revised Manual (Edited to B/M 0010612 Revision 14)  
July 18, 2006 - E - Revised Manual (Edited to B/M 0010612 Revision 16)  
November 13, 2006 - F - Revised Manual (Edited to B/M 0010612 Revision 19)  
January 31, 2007 - G - Revised Manual (Edited to B/M 0010612 Revision 20)  
June 1, 2007 - H - Revised Manual (Edited to B/M 0010612 Revision 22)  
January 15, 2008 - I - Revised Manual (Edited to B/M 0010612 Revision 26)  
July 31, 2008 - J - Revised Manual (Edited to B/M 0010612 Revision 27)  
March 1, 2009 - K - Revised Manual (Edited to B/M 0010612 Revision 28)  
July 2, 2010 - L - Revised Manual (Edited to B/M 0010612 Revision 31)  
January 15, 2011 - M - Revised Manual (Edited to B/M 0010612 Revision 32)  
May 5, 2011 - N - Revised Manual (Edited to B/M 0010612 Revision 32)  
August 1, 2011 - O - Revised Manual (Edited to B/M 0010612 Revision 33)  
November 4, 2011 - P - Revised Manual (Edited to B/M 0010612 Revision 34)  
March 23, 2012 - Q - Revised Manual (Edited to B/M 0010612 Revision 34)  
July 6, 2012 - R - Revised Manual (Edited to B/M 0010612 Revision B)  
October 3, 2012 - S - Revised Manual (Edited to B/M 0010612 Revision B)  
February 8, 2013 - T - Revised Manual (Edited to B/M 0010612 Revision C)  
June 1, 2013 - U - Revised Manual (Edited to B/M 0010612 Revision E)  
September 1, 2013 - V - Revised Manual (Edited to B/M 0010612 Revision F)  
December 30, 2013 - W - Revised Manual (Edited to B/M 0010612 Revision F)  
February 1, 2015 - X - Revised Manual (Edited to B/M 0010612 Revision I)  
April 15, 2016 - Y - Revised Manual (Edited to B/M 0010612 Revision O)  
July 8, 2016 - Z - Revised Manual (Edited to B/M 0010612 Revision R)  
December 31, 2016 - AA - Revised Manual (Edited to B/M 0010612 Revision S)  
March 23, 2017 - AB - Revised Manual (Edited to B/M 0010612 Revision S)  
June 30, 2017 - AC - Revised Manual (Edited to B/M 0010612 Revision S)  
September 29, 2017 - AD - Revised Manual (Edited to B/M 0010612 Revision T)  
December 22, 2017 - AE - Revised Manual (Edited to B/M 0010612 Revision T)

## **REVISION LOG**

March 29, 2018 - AF - Revised Manual (Edited to B/M 0010612 Revision U)

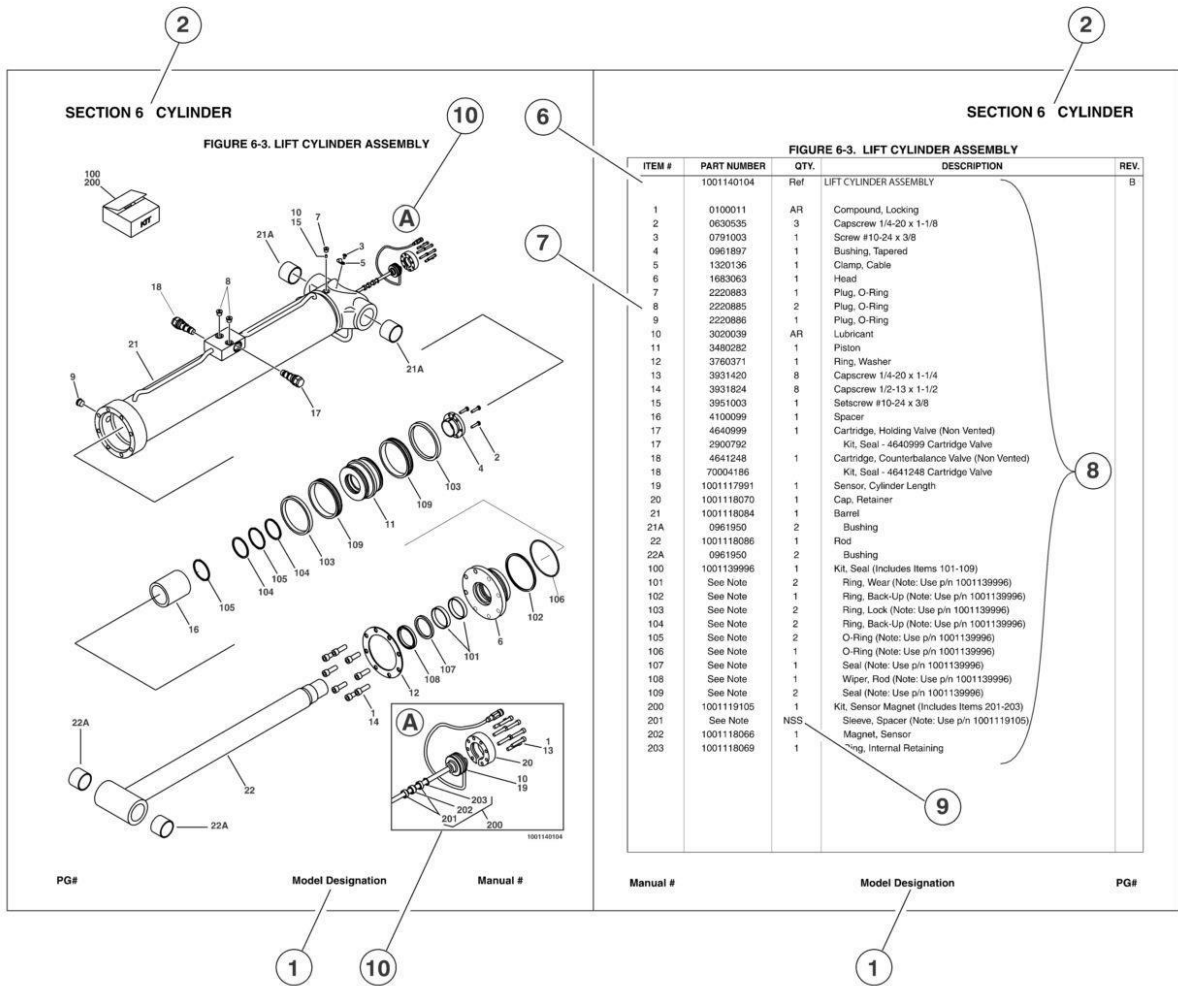
June 15, 2018 - AG - Revised Manual (Edited to B/M 0010612 Revision W)

September 28, 2018 - AH - Revised Manual (Edited to B/M 0010612 Revision Z) (Revision 2)

January 2, 2020 - AI - Revised Manual (Edited to B/M 0010612 Revision Z)

January 28, 2020 - AJ - Revised Manual (Edited to B/M 0010612 Revision Z)

# GENERAL INFORMATION



## 1) MACHINE IDENTIFICATION

Machines are identified by model and in some cases a combination of models, serial number (SN) or regional standard (i.e ANSI, CE, CSA). Components may also be identified by SN or manufacturer. Common components that may be identified by these characteristics are engines and hydraulic components.

## 2) PARTS MANUAL ORGANIZATION

Product information in this manual is organized under section titles. Frame, Cylinder, Hydraulic and Electrical are a few examples. Each section is organized by figure and page number. The information within the Figure is then organized by item number, part number, description and corresponding illustration (s).

## 3) TABLE OF CONTENTS

A table of contents is found toward the beginning of the manual. Figure number, description and page number are provided for quick reference to the page containing the related information.

## 4) RECOMMENDED SPARE PARTS

The Recommended Spare Parts, located near the end of the manual, reference most frequently used maintenance parts.

## 5) PART NUMBER INDEX

A numerical index listing all part numbers and the corresponding page number(s) appears at the back of the manual.

## GENERAL INFORMATION

### 6) NON-SERVICED PARTS

In some instances, it is necessary to display non-serviced parts, assemblies or installations. In the case of assemblies and installations there will be a Ref in the Qty column. In case of parts that are not available for service within assemblies or components, there will be a NSS (Not Sold Separately) or NLA (No Longer Available) listed in the Qty. column of the manual.

### 7) PARTS LIST ITEM NUMBERS

Numbers shown in the item# column correspond to numbers used in the associated illustration (s). Item numbers which are missing from the sequence in the parts list are not used on that page

### 8) INDENTED PARTS DESCRIPTION

An indented part description is included in the item under which it is indented.

### 9) ABB REVIATION AND SYMBOLS

AC.....	.. Alternating Current	LCD .....	.. Liquid Crystal Display
ADE. ....	..Advanced Design Electronics	LED .....	.. Light Emitting Diodes
ANSI .....	..American National Standards Institute	LH... ..	.. Left Hand
AR. ....	..As Required	LSS .....	..Load Sensing System
ASSY .....	.. Assembly	M(m)...	.. Metric/Meter
AUX... ..	..A uxiliary	MM (mm) .....	..Milimeter
AWG .....	..American Wire Gauge	mA.....	.. Milliamps
B/M.....	.. Bill of Material	NLA.....	..No Longer Available
CE.. ..	..European Conformity	NPT .....	.. National Pipe Threads
CCW .....	..Counter Clockwise	NSS .....	..Not Sold Separately
cm.....	.. Centimeter	OD.....	..Outside Diameter
CW .....	..Clockwise	OR B.....	.. O-Ring Boss
CSA. ....	..Canadian Standards Association	ORFS.....	.. O-Ring Face Seal
CYL... ..	..Cylinder	OZ (oz). .....	..Ounces
DIA. ....	..Diameter	PG .....	..Page
DC .....	..Direct Current	P/N.....	..Part Number
EMS .....	.. Emergency Stop	qt.....	..Quarts
ENG .....	..Engine	QTY.....	..Quantity
FT (ft).....	.. Feet	REF .....	..Reference
GA(Ga).. ..	.. Gauge	REV .....	..Revision Level
HYD .....	..Hydraulic	RH... ..	.. Right Hand
Hz. ....	..Her tz	SAE.....	.. Society of Automotive Engineers
ID.....	..Inside Diameter	SN. ....	..Serial Number
in.....	.. inches	SPEC(S).....	..Specifications
ISO.....	..International Organization for Standards	T/T.....	..Turntable
JIC.....	..Joint Industry Council	UGM .....	..Univ ersal G round Module
KG .....	..Kilogram	V.....	..Volts
L.....	..Liter	W.....	..Watts
LB .....	..P ounds	#.....	.. Number

### 10) ILLUSTRATION REFERENCE LETTERS

When necessary, illustrations may contain reference letters that are intended to track information (i. e. hoses, harnesses) from one point to another or to track visual enlargement of components to show details that may be located in another area on the illustration.

*Note: Due to continuous product improvements, JLG Industries, Inc. reserves the right to make specification changes without prior notification. Contact JLG Industries, Inc. for updated information.*

# TABLE OF CONTENTS

SECTION 1 - FRAME.....	9
FIGURE 1-1. TONGUE JACK INSTALLATIONS (WITH POLY JACK TIRES) .....	10
FIGURE 1-2. TONGUE JACK INSTALLATIONS (WITH PNEUMATIC JACK TIRES).....	12
FIGURE 1-3. AXLE AND TONGUE INSTALLATION WITH ELECTRIC BRAKES (ANSI, ANSI EXPORT, AUSTRALIAN AND SOUTH AFRICA SPECS).....	14
FIGURE 1-4. AXLE AND TONGUE INSTALLATION WITH HYDRAULIC BRAKES - WITH 2IN BALL (ANSI, ANSI EXPORT AND AUSTRALIAN SPEC MACHINES) .....	18
FIGURE 1-5. AXLE AND TONGUE INSTALLATION WITH HYDRAULIC BRAKES - WITH 50MM BALL (ANSI EXPORT, AUSTRALIAN AND SOUTH AFRICA SPEC MACHINES) .....	24
FIGURE 1-6. AXLE AND TONGUE INSTALLATION WITH MECHANICAL BRAKES (CE SPEC MACHINES).....	28
FIGURE 1-7. HYDRAULIC BRAKE COUPLER WITH 2 INCH BALL ASSEMBLY (ANSI AND ANSI EXPORT SPEC MACHINES) (Prior to SN 0030002099).....	32
FIGURE 1-8. HYDRAULIC BRAKE COUPLER WITH COMBINATION 2 INCH BALL ASSEMBLY (ANSI AND ANSI EXPORT SPEC MACHINES) (Prior to SN 0030002099) .....	34
FIGURE 1-9. HYDRAULIC BRAKE COUPLER WITH COMBINATION 2 INCH BALL ASSEMBLY (ANSI AND ANSI EXPORT SPEC MACHINES) (SN 0030002099 through 0030012032).....	36
FIGURE 1-10. HYDRAULIC BRAKE COUPLER WITH 2 INCH BALL AND COLLAR ASSEMBLY (ANSI AND ANSI EXPORT SPEC MACHINES) (SN 0030010384 through 0030012032).....	38
FIGURE 1-11. HYDRAULIC BRAKE COUPLER WITH 50MM BALL ASSEMBLY (CE SPEC MACHINES) .....	40
FIGURE 1-12. HYDRAULIC BRAKE COUPLER WITH 50MM BALL ASSEMBLY - T350 (CSA SPEC MACHINES) .....	42
FIGURE 1-13. PARKING BRAKE CABLE (ANSI, ANSI EXPORT AND AUSTRALIAN SPEC MACHINES ONLY) AND TRANSPORT LOCK ASSEMBLIES .....	44
FIGURE 1-14. ELECTRIC BRAKE AND AXLE ASSEMBLY .....	46
FIGURE 1-15. HYDRAULIC BRAKE ASSEMBLY (ANSI AND ANSI EXPORT SPEC MACHINES) .....	50
FIGURE 1-16. MECHANICAL BRAKE ASSEMBLY (CE SPEC MACHINES) .....	56
FIGURE 1-17. CHASSIS DRIVE INSTALLATION (OPTIONAL) .....	60
FIGURE 1-18. DRIVE ENABLE VALVE ASSEMBLY (USED WITH DRIVE OPTION ONLY) .....	66
FIGURE 1-19. DRIVE DIRECTIONAL VALVE ASSEMBLY (USED WITH DRIVE OPTION ONLY).....	68
FIGURE 1-20. DRIVE MOTOR ASSEMBLY (USED WITH DRIVE OPTION ONLY).....	70
FIGURE 1-21. CONTROL MODULES AND VALVES INSTALLATION .....	72
FIGURE 1-22. CONTROL VALVE ASSEMBLY (ELECTRIC POWERED MACHINES) .....	76
FIGURE 1-23. CONTROL VALVE ASSEMBLY (GAS POWERED MACHINES) .....	80
FIGURE 1-24. HONDA ENGINE INSTALLATION (GAS POWERED MACHINES).....	84
FIGURE 1-25. BATTERIES INSTALLATION (ELECTRIC POWERED MACHINES) (Prior to SN 0030001804).....	90
FIGURE 1-26. BATTERIES INSTALLATION (ELECTRIC POWERED MACHINES) (SN 0030001804 through 0030012032) .....	92
FIGURE 1-27. MAC BATTERY CHARGER ASSEMBLY (ELECTRIC POWERED MACHINES) .....	94
FIGURE 1-28. DELTA-Q AND PRO CHARGING BATTERY CHARGER ASSEMBLIES (ELECTRIC POWERED MACHINES)...	96
FIGURE 1-29. TAILLIGHTS AND MARKERS INSTALLATION (ANSI AND ANSI EXPORT SPECS).....	98
FIGURE 1-30. TAILLIGHTS AND MARKERS INSTALLATION (AUSTRALIAN, CE AND SOUTH AFRICA SPECS).....	100
FIGURE 1-31. SPARE TIRE AND WHEEL CHOCKS INSTALLATIONS (OPTIONAL) .....	104
FIGURE 1-32. FENDERS INSTALLATION .....	108
FIGURE 1-33. FRAME COVERS INSTALLATION .....	112
FIGURE 1-34. OUTRIGGERS INSTALLATION .....	114
FIGURE 1-35. SIDE GUARDS INSTALLATION.....	118
SECTION 2 - TURNTABLE.....	121
FIGURE 2-1. SWING DRIVE AND TURNTABLE BEARING INSTALLATIONS .....	122
FIGURE 2-2. TURNTABLE BEARING ASSEMBLY .....	126
FIGURE 2-3. SWING DRIVE MOTOR ASSEMBLY (WHITE) .....	128
FIGURE 2-4. SWING DRIVE MOTOR ASSEMBLY (PARKER) .....	130
FIGURE 2-5. GROUND CONTROL BOX ASSEMBLY AND INSTALLATION.....	132
FIGURE 2-6. TURNTABLE MOUNTED COMPONENTS (STROBE LIGHT, ALARM AND ACCESSORY TRAY).....	136
FIGURE 2-7. 2500W GENERATOR INSTALLATION (OPTIONAL) (Prior to SN 0030004340) .....	138
FIGURE 2-8. 3000W GENERATOR INSTALLATION (OPTIONAL) (SN 0030004340 through 0030012032).....	142
SECTION 3 - BOOM.....	145
FIGURE 3-1. BOOM ASSEMBLY AND INSTALLATION (T350) .....	146
FIGURE 3-2. MAIN BOOM ASSEMBLY (T350) .....	152
FIGURE 3-3. BOOM ASSEMBLY AND INSTALLATION (T500J).....	154
FIGURE 3-4. MAIN BOOM ASSEMBLY (T500J) .....	160
FIGURE 3-5. MATERIAL HOOK INSTALLATION (OPTIONAL).....	164
SECTION 4 - PLATFORM.....	167

# TABLE OF CONTENTS

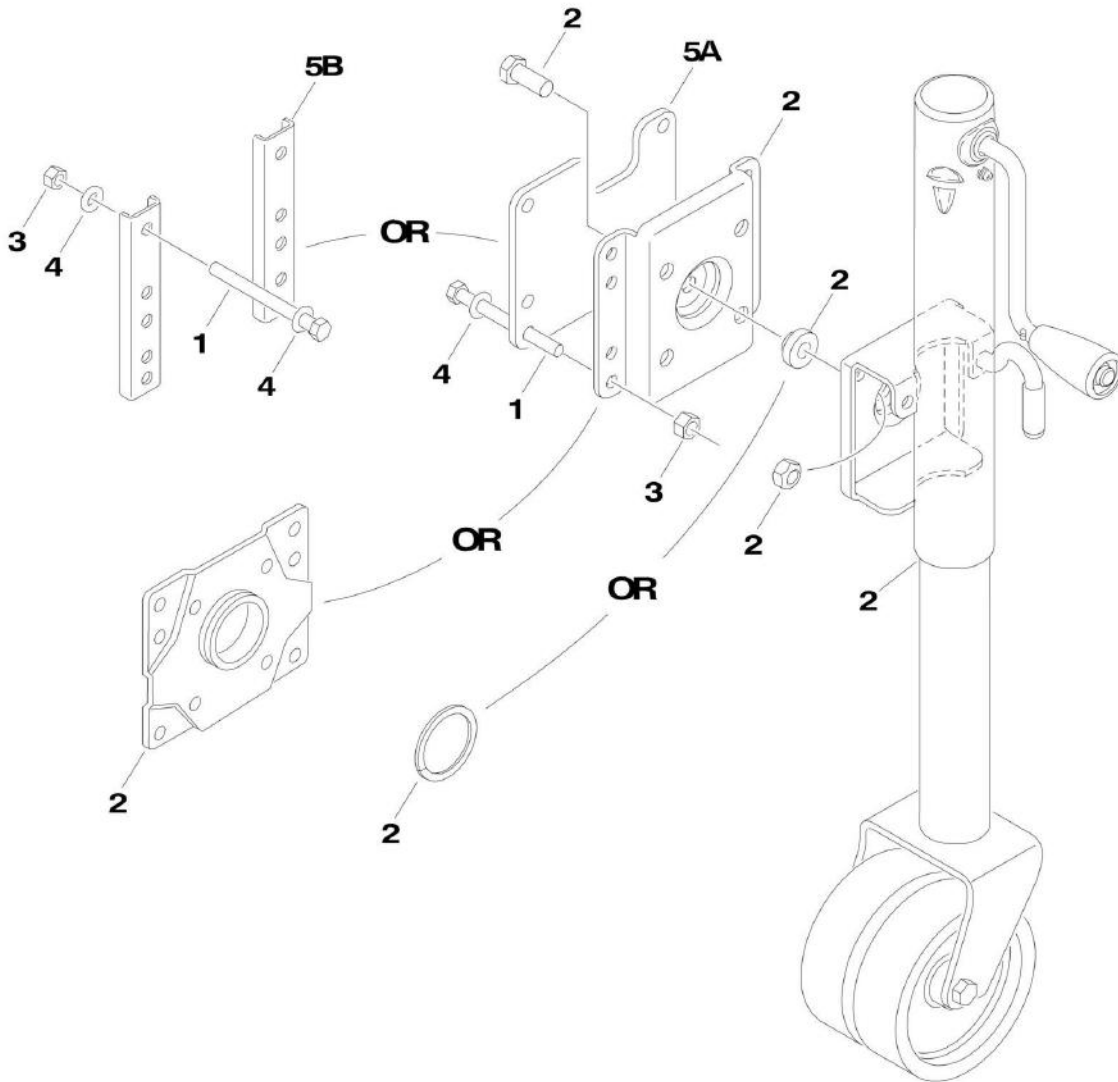
FIGURE 4-1. PLATFORM AND ROTATOR INSTALLATIONS .....	168
FIGURE 4-2. PLATFORM ROTATOR ASSEMBLY (OPTIONAL) .....	172
FIGURE 4-3. CONSOLE BOX ASSEMBLY .....	174
SECTION 5 - CYLINDER.....	177
FIGURE 5-1. BRAKE RELEASE CYLINDER ASSEMBLY.....	178
FIGURE 5-2. DRIVE ENGAGE CYLINDER ASSEMBLY .....	180
FIGURE 5-3. JIB CYLINDER ASSEMBLY (T500J ONLY) .....	182
FIGURE 5-4. PLATFORM LEVEL (SLAVE) CYLINDER ASSEMBLY (T350) .....	184
FIGURE 5-5. PLATFORM LEVEL (SLAVE) CYLINDER ASSEMBLY (T500J) .....	186
FIGURE 5-6. LIFT CYLINDER ASSEMBLY .....	188
FIGURE 5-7. MASTER CYLINDER ASSEMBLY .....	190
FIGURE 5-8. OUTRIGGER CYLINDER ASSEMBLY.....	192
FIGURE 5-9. TELESCOPE CYLINDER ASSEMBLY.....	194
SECTION 6 - HYDRAULIC .....	197
FIGURE 6-1. HYDRAULIC DIAGRAM - BOOM AND CHASSIS (T350 ALL SPECS).....	198
FIGURE 6-2. HYDRAULIC DIAGRAM - BOOM AND CHASSIS (T500J).....	200
FIGURE 6-3. HYDRAULIC DIAGRAM - DRIVE AND SET.....	204
FIGURE 6-4. HYDRAULIC DIAGRAM LIST.....	208
SECTION 7 - ELECTRICAL.....	209
FIGURE 7-1. ELECTRICAL COMPONENTS INSTALLATION - ELECTRIC POWERED MACHINES (Prior to SN 00300001804) .....	210
FIGURE 7-2. ELECTRICAL COMPONENTS INSTALLATION - ELECTRIC POWERED MACHINES (SN 00300001804 through 0030012032) .....	220
FIGURE 7-3. ELECTRICAL COMPONENTS INSTALLATION - ENGINE POWERED MACHINES .....	230
SECTION 8 - DECALS .....	239
FIGURE 8-1. DECAL INSTALLATION (ANSI SPEC) (Prior to SN 0030000281) .....	240
FIGURE 8-2. DECAL INSTALLATION (ANSI SPEC) (SN 0030000281 through 0030012032).....	244
FIGURE 8-3. DECAL INSTALLATION (COUNTRY SPEC) .....	248
FIGURE 8-4. DECAL INSTALLATION (AUSTRALIAN AND CE SPECS).....	256
SECTION 9 - RECOMMENDED SERVICE PARTS STOCK .....	259
FIGURE 9-1. RECOMMENDED SERVICE PARTS STOCK.....	260
SECTION 10 - SPECIAL OPTIONS .....	263
FIGURE 10-1. SPECIAL OPTIONS .....	264
PART NUMBER INDEX.....	267



**SECTION 1 - FRAME**

# SECTION 1 - FRAME

FIGURE 1-1. TONGUE JACK INSTALLATIONS (WITH POLY JACK TIRES)



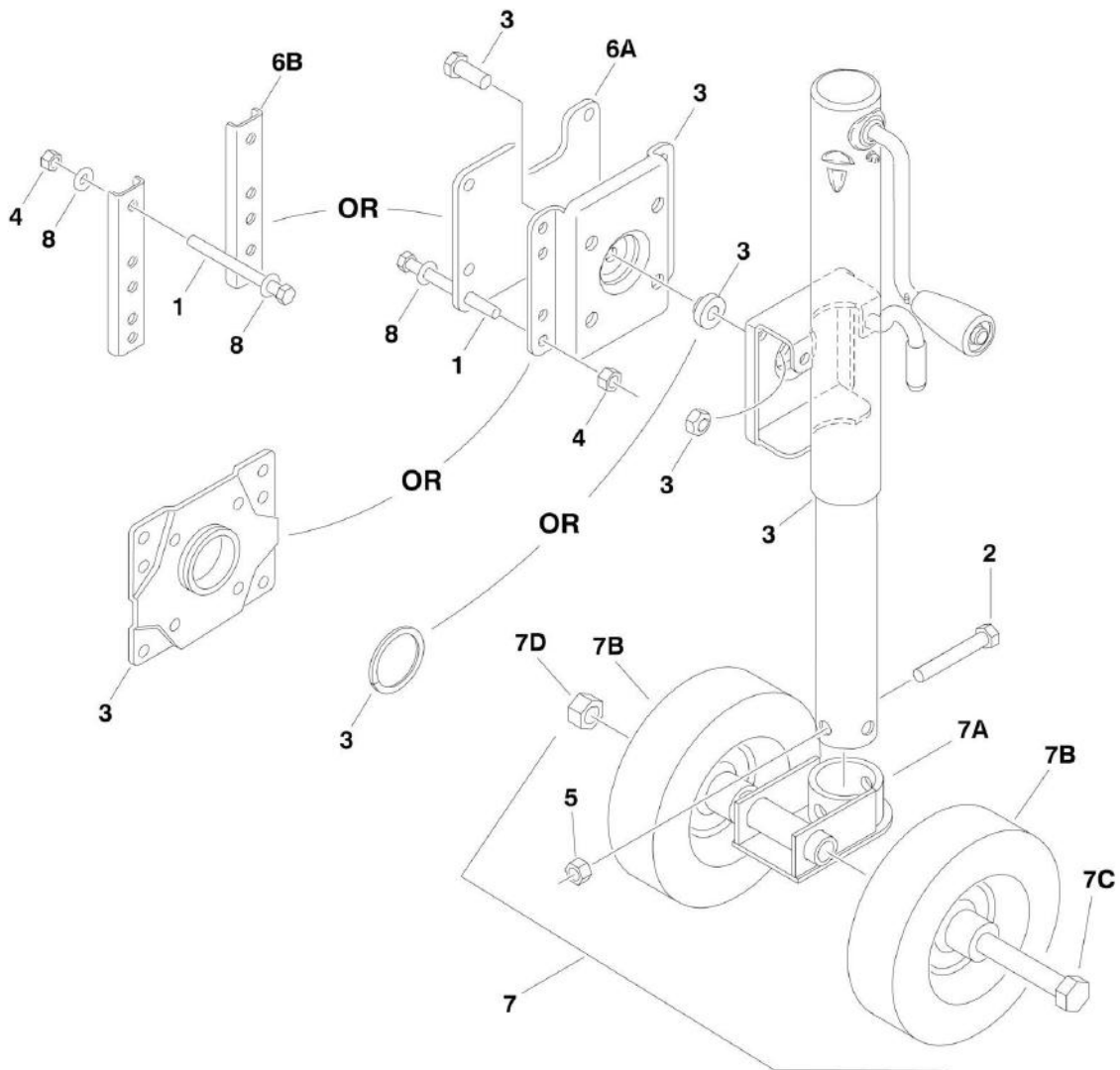
## SECTION 1 - FRAME

**FIGURE 1-1. TONGUE JACK INSTALLATIONS (WITH POLY JACK TIRES)**

ITEM	PART NUMBER	QTY	DESCRIPTION	REV
		Ref	<b>JACK INSTALLATION (WITH POLY JACK TIRES)</b>	
	0274306	Ref	<b>Jack Installation T350 (All Specs)</b>	C
	0274308	Ref	<b>Jack Installation T500J with Ball Hitch (All Specs Except CE Spec)</b>	B
	0274486	Ref	<b>Jack Installation T500J with Ball Hitch (CE and South Africa Spec)</b>	B
	0274453	Ref	<b>Jack Installation T500J with Combination Hitch (ANSI and ANSI Export Specs)</b>	C
1		Ref	Bolt Options:	
1	0641632	4	3/8in-16NC x 4in	
1	0641630	4	3/8in-16NC x 3-3/4in	
1	0641638	4	3/8in-16NC x 4-3/4in	
2	2840026	1	Jack Assembly (No Service Parts Available Due to the Variety of Jacks Used by either JLG or Supplier. Replace Complete Assembly) (was p/n 2840020)	
3	3311605	4	Locknut 3/8in-16NC	
4	4751600	8	Flatwasher 3/8in Wide	
5		Ref	Mounting Options:	
5A	3575757	1	Plate	
5B	7027727	2	Strap, Mounting	

# SECTION 1 - FRAME

FIGURE 1-2. TONGUE JACK INSTALLATIONS (WITH PNEUMATIC JACK TIRES)



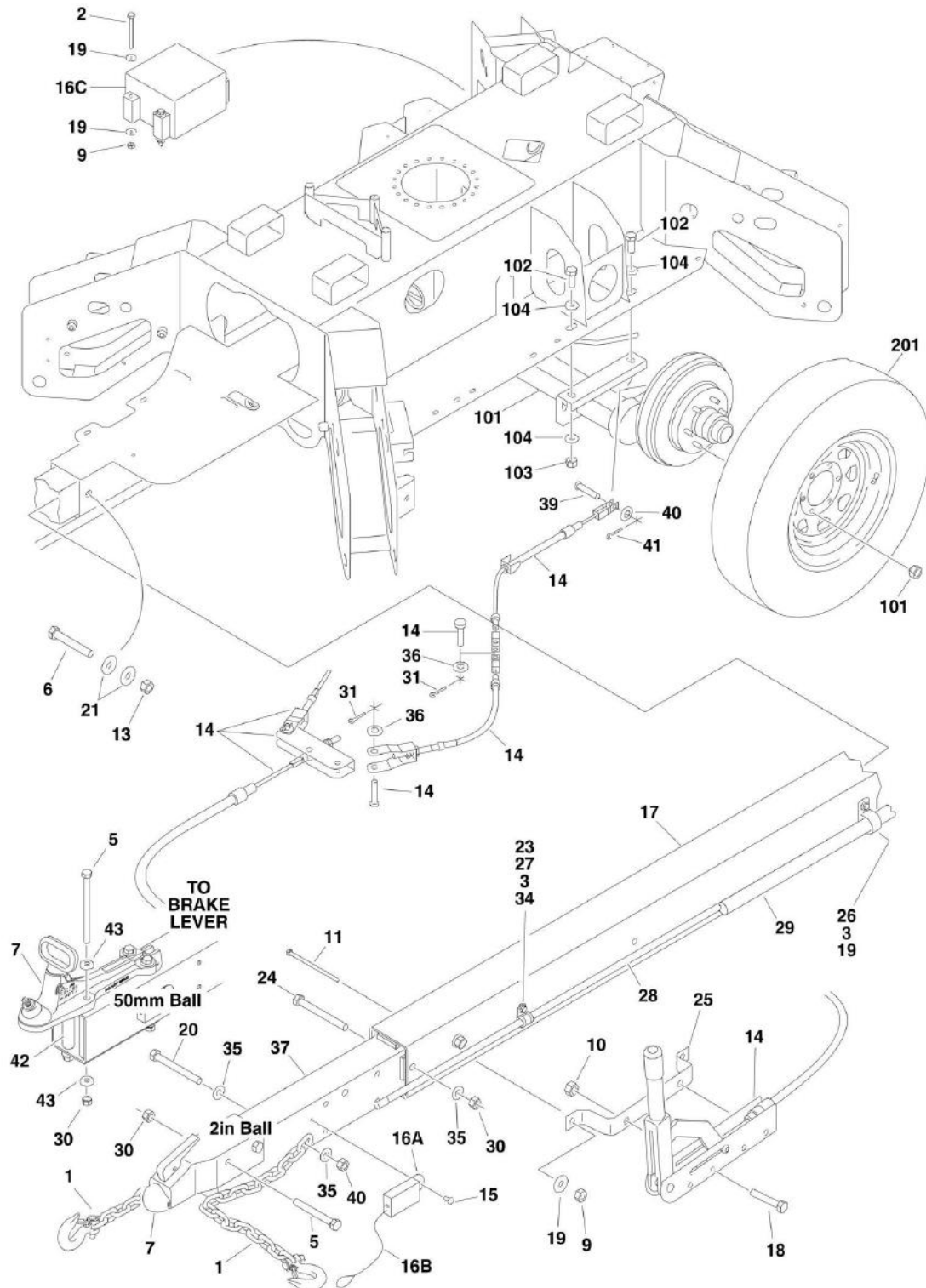
## SECTION 1 - FRAME

**FIGURE 1-2. TONGUE JACK INSTALLATIONS (WITH PNEUMATIC JACK TIRES)**

ITEM	PART NUMBER	QTY	DESCRIPTION	REV
		Ref	<b>JACK INSTALLATIONS (WITH PNEUMATIC JACK TIRES)</b>	
	0274305	Ref	<b>Jack Installation T350 (ANSI and ANSI Export Specs)</b>	B
	0274485	Ref	<b>Jack Installation T350 (Australian and CE Specs)</b>	B
	0274307	Ref	<b>Jack Installation T500J with Ball Hitch (ANSI and ANSI Export Specs)</b>	B
	0274452	Ref	<b>Jack Installation T500J with Combination Hitch (ANSI and ANSI Export Specs)</b>	B
	0274486	Ref	<b>Jack Installation T500J (Australian and CE Specs)</b>	B
1		Ref	Bolt Options:	
1	0641632	4	3/8in-16NC x 4in	
1	0641630	4	3/8in-16NC x 3-3/4in	
1	0641638	4	3/8in-16NC x 4-3/4in	
2	0641826	1	Bolt 1/2in-13NC x 3-1/4in	
3	2840026	1	Jack Assembly (No Service Parts Available Due to the Variety of Jacks Supplied under the Same P/N. Replace Complete Assembly)	
		Ref	<b>Note: Replacement Jack is supplied with poly wheels. Pneumatic wheels can not be used with replacement jack.</b>	
4	3311605	4	Locknut 3/8in-16NC	
5	3311805	1	Locknut 1/2in-13NC	
6		Ref	Plate, Mounting Options:	
6A	3575757	1	Plate, Mounting T350	
6A	Not Required	0	Plate, Mounting T500J ANSI and ANSI Export Specs with Ball Hitch	
6A	3575757	1	Plate, Mounting T500J ANSI and ANSI Export Specs with Combination Hitch	
6A	Not Required	0	Plate, Mounting T500J Australian and CE Specs with Ball Hitch	
6B	7027727	2	Strap, Mounting	
7	4341002	1	Tire and Support Assembly	
7A	4340992	1	Support	
7B	See Note	2	Tire, Pneumatic (Note: Not Available - Purchase p/n 4341002)	
7C	See Note	1	Bolt, Axle 3/4in (Note: Not Available - Purchase p/n 4341002)	
7D	See Note	1	Locknut 3/4in (Note: Not Available - Purchase p/n 4341002)	
8	4711600	4	Bolt 5/8in-11NC x 2-1/2in	

# SECTION 1 - FRAME

FIGURE 1-3. AXLE AND TONGUE INSTALLATION WITH ELECTRIC BRAKES (ANSI, ANSI EXPORT, AUSTRALIAN AND SOUTH AFRICA SPECS)



## SECTION 1 - FRAME

**FIGURE 1-3. AXLE AND TONGUE INSTALLATION WITH ELECTRIC BRAKES (ANSI, ANSI EXPORT, AUSTRALIAN AND SOUTH AFRICA SPECS)**

ITEM	PART NUMBER	QTY	DESCRIPTION	REV
		Ref	<b>ELECTRIC BRAKE AND TONGUE INSTALLATION</b>	
	0273648	Ref	<b>Electric Brake and Tongue Installation T350 with 2in Ball (ANSI and ANSI Export Specs)</b>	I
	0273654	Ref	<b>Electric Brake and Tongue Installation T500J with 2in Ball (ANSI and ANSI Export Specs)</b>	I
	0274767	Ref	<b>Electric Brake and Tongue Installation T500J with 50mm Ball (ANSI Export and Australian Specs)</b>	E
	0275626	Ref	<b>Electric Brake and Tongue Installation T500J with 50mm Ball (South Africa Specs)</b>	C
1		Ref	Chain, Safety with Hook Options:	
1	70212	2	2in Ball (ANSI and ANSI Export Specs)	
1	Not Required	0	50mm Ball (ANSI Export, Australian and South Africa Specs)	
2	0641422	4	Bolt 1/4in-20NC x 2-3/4in	
3	0641412	AR	Bolt 1/4in-20NC x 1-1/2in	
5		Ref	Bolt Options:	
5	0641832	2	Bolt 1/2in-13NC x 4in (2in Ball - ANSI and ANSI Export Specs)	
5	0711234	4	Bolt (Metric) 12mm x 170mm (50mm Ball - ANSI Export, Australian and South Africa Specs)	
6		Ref	Bolt Options:	
6	0642240	2	Bolt 3/4in-10NC x 5in (2in Ball - ANSI and ANSI Export Specs)	
6	0642246	2	Bolt 3/4in-10NC x 5-3/4in (50mm Ball - ANSI Export, Australian and South Africa Specs)	
7		Ref	Coupler Assembly - Electric Brake Options (No Repair Parts Available):	
7	1660273	1	2in Ball (ANSI and ANSI Export Specs)	
7	1660297	1	50mm Ball (ANSI Export, Australian and South Africa Specs)	
9	3311405	6	Locknut 1/4in-20NC	
10	3311505	2	Locknut 5/16in-18NC	
11		Ref	Bolt Options:	
11	0641430	2	Bolt 1/4in-20NC x 3-3/4in (2in Ball - ANSI and ANSI Export Specs)	
11	0641438	2	Bolt 1/4in-20NC x 4-3/4in (50mm Ball - ANSI Export, Australian and South Africa Specs)	
11	0641440	2	Bolt 1/4in-20NC x 5in (50mm Ball - ANSI Export, Australian and South Africa Specs)	
13	3312205	2	Locknut 3/4in-10NC	
14		Ref	Parking Brake Cable Assembly Options (See PARKING BRAKE CABLE (ANSI, ANSI EXPORT and AUSTRALIAN SPEC MACHINES ONLY) and TRANSPORT LOCK ASSEMBLIES for Breakdown):	
14	3890043	1	Parking Brake Cable Assembly T350	
14	3890044	1	Parking Brake Cable Assembly T500J	
15	4191706	1	Screw, Rolling Thread 6mm x 12mm	
16	4360570	1	Breakaway Switch Kit	
16A	71820	1	Switch, Replacement Breakaway	
16B	71820-1	1	Replacement Switch Pin and Cable	
16C	See Note	1	Charger, Replacement Battery (Note: Not Available - Purchase Complete Kit p/n 4360570)	
17		Ref	Tongue Options:	
17	4568985	1	Tongue (Use p/n 4569512) T350 <b>(Prior to SN 0030002199)</b>	
17	4569512	1	Tongue T350 <b>(SN 0030002199 through 0030012032)</b>	
17	4568986	1	Tongue T500J (2in Ball - ANSI and ANSI Export Specs)	

# SECTION 1 - FRAME

ITEM	PART NUMBER	QTY	DESCRIPTION	REV
17	4569445	1	Tongue T500J (50mm Ball - ANSI Export, Australian)	
17	4569470	1	Tongue T500J (50mm Ball - South Africa Spec)	
18	0641514	2	Bolt 5/16in-18NC x 1-3/4in	
19	4751400	15	Flatwasher 1/4in Regular	
20		Ref	Bolt Options:	
20	0641836	2	Bolt 1/2in-13NC x 4-1/2in (2in Ball - ANSI and ANSI Export Specs)	
20	Not Required	0	50mm Ball - ANSI Export, Australian and South Africa Specs	
21	4752200	4	Flatwasher 3/4in Regular	
23	8580420	AR	Wellnut	
24		Ref	Bolt Options:	
24	0641838	2	Bolt 1/2in-13NC x 4-3/4in (T500J Only) (2in Ball - ANSI and ANSI Export Specs)	
24	Not Required	0	50mm Ball - ANSI Export, Australian and South Africa Specs	
25	0903108	1	Bracket, Parking Brake	
26	1320060	AR	Clamp	
27	1320061	1	Clamp	
28	1560016	1	Conduit	
29	1560017	2	Conduit	
30		Ref	Nut Options:	
30	3311805	3	Locknut 1/2in-13NC (2in Ball - ANSI and ANSI Export Specs)	
30	3331211	4	Nut M12 x 1.75 (50mm Ball - ANSI Export, Australian and South Africa Specs)	
31	3450304	4	Pin, Cotter	
32	4240032	AR	Tiestrap 4in/10cm (Not Shown)	
33	4240033	AR	Tiestrap 7in/18cm (Not Shown)	
34	4711400	1	Flatwasher 1/4in Thin	
35		Ref	Flatwasher Options:	
35	4711800	4	Flatwasher 1/2in Thin (2in Ball - ANSI and ANSI Export Specs)	
35	Not Required	0	50mm Ball - ANSI Export, Australian and South Africa Specs	
36	4751500	4	Flatwasher 5/16in Regular	
37		Ref	Adapter, Tongue Options:	
37	Not Required	0	Adapter, Tongue T350	
37	0080265	1	Adapter, Tongue T500J (All Specs except South Africa Spec - Use p/n 0080291) <b>(Prior to SN 0030002199)</b>	
37	0080291	1	Adapter, Tongue T500J (All Specs except South Africa Spec) <b>(SN 0030002199 through 0030012032)</b>	
37	Not Required	0	Adapter, Tongue T500J (South Africa Spec)	
38		Ref	Trailer Plug Harness Options (Not Shown - See ELECTRICAL SECTION for Breakdown):	
38	4923203	1	2in Ball - ANSI and ANSI Export Specs	
38	4923318	1	50mm Ball - ANSI Export, Australian and South Africa Specs	
39	3430506	2	Pin, Clevis	
40	4711500	2	Flatwasher 5/16inThin	
41	3450302	2	Pin, Cotter	
42	4569438	4	Spacer (50mm Ball - ANSI Export, Australian and South Africa Specs Only)	
43	4891800	8	Flatwasher 1/2in Hardened (50mm Ball - ANSI Export, Australian and South Africa Specs Only)	
		Ref	<b>ELECTRIC BRAKE AND AXLE INSTALLATION</b>	
	0273699	Ref	<b>Electric Brake and Axle Installation T350</b>	B
	0273700	Ref	<b>Electric Brake and Axle Installation T500J</b>	B
101		Ref	Axle Assembly with Electric Brakes Options (See ELECTRICAL	

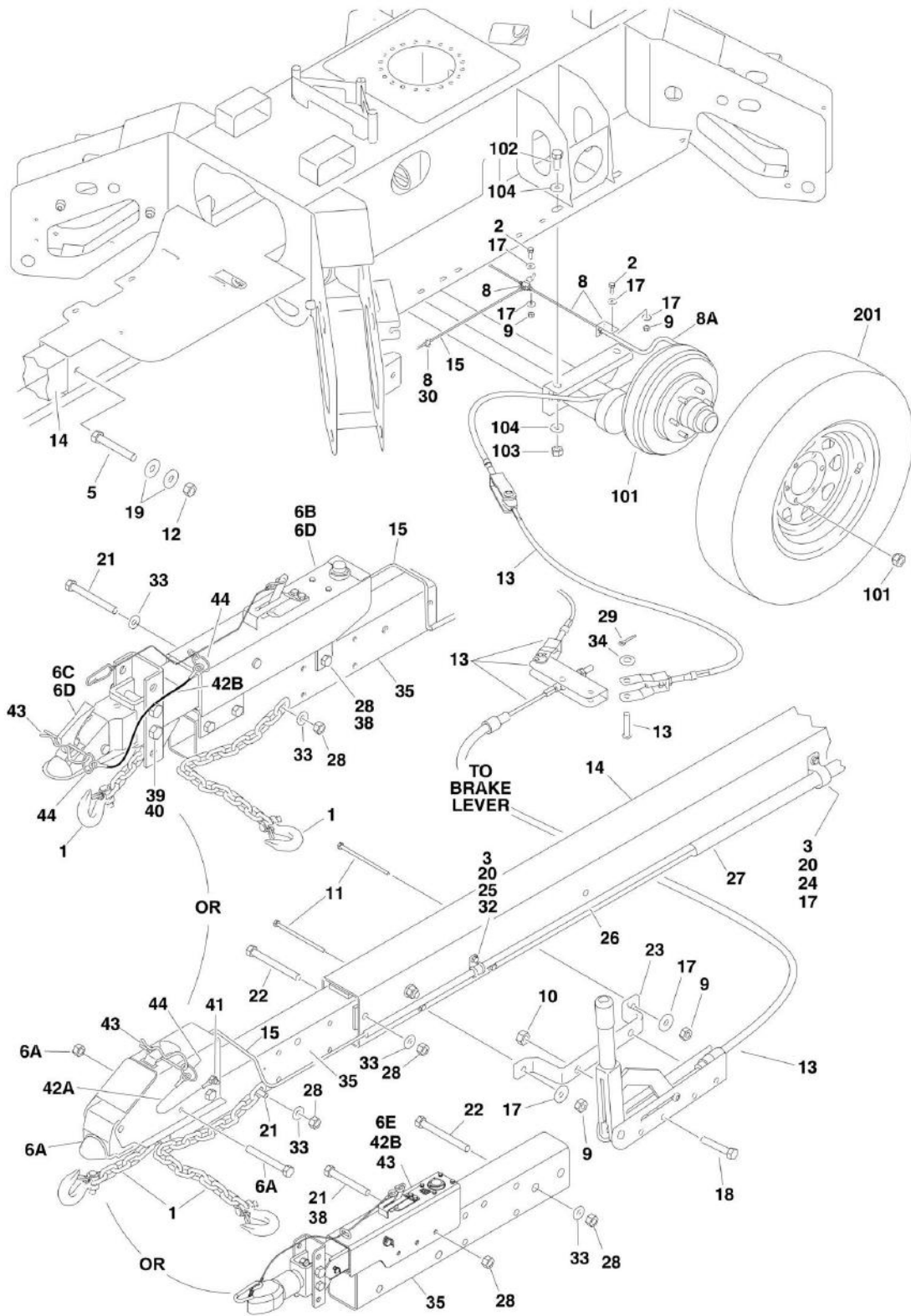


## SECTION 1 - FRAME

ITEM	PART NUMBER	QTY	DESCRIPTION	REV
101	0280158	1	BRAKE AND AXLE ASSEMBLY for Breakdown): Axle Assembly with Electric Brakes T350	
101	0280159	1	Axle Assembly with Electric Brakes T500J	
102	0642012	4	Bolt 5/8in-11NC x 1-1/2in	
103	3312005	4	Locknut 5/8in-11NC	
104	4892000	8	Flatwasher 5/8in Hardened	
		Ref	<b>TIRE AND WHEEL INSTALLATION</b>	
		Ref	<b>Tire and Wheel Installation T350</b>	
	0273610	Ref	<b>ANSI and ANSI Export Specs (Prior to SN 0030002529)</b>	B
	0275210	Ref	<b>ANSI and ANSI Export Specs (SN 0030002529 through 0030012032)</b>	C
	0275210	Ref	<b>Australian and South Africa Specs</b>	C
		Ref	<b>Tire and Wheel Installation T500J</b>	
	0273611	Ref	<b>ANSI and ANSI Export Specs (Prior to SN 0030002529)</b>	B
	0275211	Ref	<b>ANSI and ANSI Export Specs (SN 0030002529 through 0030012032)</b>	B
	0275211	Ref	<b>Australian and South Africa Specs</b>	B
201		Ref	Tire and Wheel Assembly	
201	4520323	2	Tire and Wheel Assembly T350 (205-75-R14) (ANSI and ANSI Export Specs) (Serviced as an Assembly Only) (Use p/n 1001109586) <b>(Prior to SN 0030002529)</b>	
201	4520613	2	Tire and Wheel Assembly T350 (205-75-R14) (ANSI and ANSI Export Specs) (Serviced as an Assembly Only) (Use p/n 1001109586) <b>(Prior to SN 0030002529)</b>	
201	4520613	2	Tire and Wheel Assembly T350 (205-75-R14) (ANSI and ANSI Export Specs and Australian and South Africa Specs) (Serviced as an Assembly Only) (Use p/n 1001109586) <b>(SN 0030002529 through 0030003104, Prior to SN 0030003105)</b>	
201	1001109586	2	Tire and Wheel Assembly T350 (215-75-R14) (ANSI and ANSI Export Specs and Australian and South Africa Specs) <b>(SN 0030003105 through 0030012032)</b>	
201	70002204	2	Tire, Replacement (215-75-R14)	
201	70002205	2	Wheel, Replacement (14 x 6)	
201	4520322	2	Tire and Wheel Assembly T500J (225-75-R15) (ANSI and ANSI Export Specs) (Serviced as an Assembly Only) (Use p/n 4520614) <b>(Prior to SN 0030002529)</b>	
201	4520614	2	Tire and Wheel Assembly T500J (225-75-R15) (ANSI and ANSI Export Specs and Australian and South Africa Specs - All) (Serviced as an Assembly Only) <b>(SN 0030002529 through 0030012032)</b>	

# SECTION 1 - FRAME

FIGURE 1-4. AXLE AND TONGUE INSTALLATION WITH HYDRAULIC BRAKES - WITH 2IN BALL (ANSI, ANSI EXPORT AND AUSTRALIAN SPEC MACHINES)



## SECTION 1 - FRAME

**FIGURE 1-4. AXLE AND TONGUE INSTALLATION WITH HYDRAULIC BRAKES - WITH 2IN BALL  
(ANSI, ANSI EXPORT AND AUSTRALIAN SPEC MACHINES)**

ITEM	PART NUMBER	QTY	DESCRIPTION	REV
		Ref	<b>HYDRAULIC BRAKE AND TONGUE INSTALLATIONS</b>	
	0273647	Ref	<b>Hydraulic Brake and Tongue Installations With 2in Ball (T350 Prior to SN 0030002099)</b>	I
	0273649	Ref	<b>Hydraulic Brake and Tongue Installations With Combination 2in Ball (T350 Prior to SN 0030002099)</b>	E
	0275907	Ref	<b>Hydraulic Brake and Tongue Installations (T350 SN 0030002099 through 0030012032)</b>	E
	1001243180	Ref	<b>Hydraulic Brake and Tongue Installations With 2in Ball and Collar (T350 SN 0030010384 through 0030012032)</b>	A
	0273653	Ref	<b>Hydraulic Brake and Tongue Installations With 2in Ball (T500J Prior to SN 0030002099)</b>	H
	0273655	Ref	<b>Hydraulic Brake and Tongue Installations With Combination 2in Ball (T500J Prior to SN 0030002099)</b>	F
	0275908	Ref	<b>Hydraulic Brake and Tongue Installations (T500J SN 0030002099 through 0030012032)</b>	E
	1001243181	Ref	<b>Hydraulic Brake and Tongue Installations With 2in Ball and Collar (T350 SN 0030010384 through 0030012032)</b>	A
1	70212	2	Chain, Safety with Hook	
2	0641406	AR	Bolt 1/4in-20NC x 3/4in	
3	0641412	AR	Bolt 1/4in-20NC x 1-1/2in	
5		Ref	Bolt Options:	
5	0642240	2	Bolt with 2 inch Ball <b>(Prior to SN 0030002099)</b>	
5	0642244	2	Bolt with Combination 2 inch Ball <b>(Prior to SN 0030002099)</b>	
5	0642244	2	Bolt <b>(SN 0030002099 through 0030012032)</b>	
5	0642240	2	Bolt with 2 inch Ball <b>(SN 0030010384 through 0030012032)</b>	
6		Ref	Coupler Assembly - Hydraulic Brake Options:	
6A	1660265	1	Coupler Assembly with 2in Ball (See HYDRAULIC BRAKE COUPLER WITH 2 INCH BALL ASSEMBLY (ANSI AND ANSI EXPORT SPEC MACHINES) for Breakdown) <b>(Prior to SN 0030002099)</b>	
6B	1660279	1	Coupler Assembly with 2in Ball Combination (See HYDRAULIC BRAKE COUPLER WITH COMBINATION 2 INCH BALL ASSEMBLY (ANSI AND ANSI EXPORT SPEC MACHINES) for Breakdown) <b>(Prior to SN 0030002099)</b>	
6C	1660278	1	Coupler Assembly with 2in Ball Combination <b>(Prior to SN 0030002099)</b>	
6C	See Note	1	Latch Repair Kit - 1660278 Coupler (Note: Not Available - Purchase p/n 1660278)	
6D		Ref	With 2in Ball Combination (See HYDRAULIC BRAKE COUPLER WITH COMBINATION 2 INCH BALL ASSEMBLY (ANSI AND ANSI EXPORT SPEC MACHINES) for Breakdown)	
6D	1660307	NLA	Coupler Assembly (Use p/n 1001116350) <b>(SN 0030002099 through 0030003342)</b>	
6D	1001116350	1	Coupler Assembly <b>(SN 0030003343 through 0030012032)</b>	
6E	1001243182	1	With 2in Ball and Collar (See HYDRAULIC BRAKE COUPLER WITH 2 INCH BALL AND COLLAR ASSEMBLY (ANSI, ANSI EXPORT AND CSA SPEC MACHINES) for Breakdown) <b>(SN 0030010384 through 0030012032)</b>	
8	2902349	1	Brake Line Kit (Includes qty 2 of these items: 12in Steel Lines with Fittings, 18in Hoses, Mounting Angles and Clamps. Also, Includes qty 1 Tee Fitting with Mounting Bracket)	
8A	7027890	2	Replacement Hose Only	
9	3311405	AR	Locknut 1/4in-20NC	
10	3311505	2	Locknut 5/16in-18NC	

## SECTION 1 - FRAME

ITEM	PART NUMBER	QTY	DESCRIPTION	REV
11		Ref	Bolt Options:	
11	0641430	AR	1/4in-20NC x 3-3/4in	
11	0641438	AR	1/4in-20NC x 4-3/4in	
11	0641440	AR	1/4in-20NC x 5in	
12	3312205	2	Locknut 3/4in-10NC	
13		Ref	Parking Brake Cable Assembly Options (See PARKING BRAKE CABLE (ANSI, ANSI EXPORT AND AUSTRALIAN SPEC MACHINES ONLY) AND TRANSPORT LOCK ASSEMBLIES for Breakdown):	
13	3890041	1	Parking Brake Cable Assembly T350	
13	3890042	1	Parking Brake Cable Assembly T500J	
14		Ref	Tongue Options:	
14	4568985	1	Tongue T350 (Use p/n 4569512)	
14	4568986	1	Tongue T500J	
15		Ref	Brake Line Options:	
15	4569096	1	Brake Line T350	
15	4569097	1	Brake Line T500J	
17	4751400	AR	Flatwasher 1/4in Regular	
18	0641514	2	Bolt 5/16in-18NC x 1-3/4in	
19	4752200	4	Flatwasher 3/4in Regular	
20	8580420	AR	Wellnut	
21		Ref	Bolt Options:	
21	0641836	1	Bolt with 2 inch Ball <b>(Prior to SN 0030002099)</b>	
21	0641838	1	Bolt with Combination 2 inch Ball <b>(Prior to SN 0030002099)</b>	
21	0641838	1	Bolt <b>(SN 0030002099 through 0030012032)</b>	
22	0641838	2	Bolt 1/2in-13NC x 4-3/4in (T500J Only)	
23	0903108	1	Bracket, Parking Brake	
24	1320060	AR	Clamp	
25	1320061	1	Clamp (T500J Only - Not Shown)	
26	1560016	1	Conduit	
27	1560017	AR	Conduit	
28	3311805	AR	Locknut 1/2in-13NC	
29	3450304	AR	Pin, Cotter	
30	3820017	2	Rivet	
31	4240032	AR	Tiestrap 4in/10cm (Not Shown)	
31	4240033	AR	Tiestrap 7in/18cm (Not Shown)	
32	4711400	AR	Flatwasher 1/4in Thin	
33	4711800	AR	Flatwasher 1/2in Thin	
34	4751500	2	Flatwasher 5/16in Regular	
35		Ref	Adapter, Tongue Options:	
35	Not Required	0	Adapter, Tongue T350	
35	0080265	1	Adapter, Tongue T500J (Use p/n 0080291)	
37	2300006	AR	Fluid, Brake - DOT3 (Not Shown)	
38		Ref	Bolt Options:	
38	Not Required	0	Bolt with 2 inch Ball (Supplied with Coupler Item 6A) <b>(Prior to SN 0030002099)</b>	
38	0641832	3	Bolt 1/2in-13NC x 4in	
38	0641836	3	Bolt 1/2in-13NC x 4-1/2in	
39		Ref	Bolt 5/8in-11NC x 4-1/4in	
39	Not Required	0	Bolt 5/8in-11NC x 4-1/4in with 2 inch Ball <b>(Prior to SN 0030002099)</b>	
39	0642034	2	Bolt 5/8in-11NC x 4-1/4in with Combination 2 inch Ball <b>(Prior to SN 0030002099)</b>	

## SECTION 1 - FRAME

ITEM	PART NUMBER	QTY	DESCRIPTION	REV
39	Not Required	0	Bolt 5/8in-11NC x 4-1/4in (Supplied with Coupler Item 6D) (SN <b>0030002099 through 0030012032</b> )	
39	Not Required	0	Bolt 5/8in x 1-1/2in (Supplied with Coupler Item 6E) (SN <b>0030010384 through 0030012032</b> )	
40		Ref	Locknut 5/8in-11NC	
40	Not Required	0	Locknut 5/8in-11NC with 2 inch Ball (Prior to SN <b>0030002099</b> )	
40	3312005	2	Locknut 5/8in-11NC with Combination 2 inch Ball (Prior to SN <b>0030002099</b> )	
40	Not Required	0	Locknut 5/8in-11NC (Supplied with Coupler Item 6D) (SN <b>0030002099 through 0030012032</b> )	
40	Not Required	0	Locknut 5/8in (Supplied with Coupler Item 6E) (SN <b>0030010384 through 0030012032</b> )	
41	0721005	1	Screw, Machine #10-24NC x 5/8in (With 2 inch Ball Only)	
41	4751000	2	Flatwasher #10 Regular (With 2 inch Ball Only)	
41	3311005	1	Locknut #10-24NC (With 2 inch Ball Only)	
42		Ref	Lanyard Options (Not Used): (SN <b>0030002099 through 0030002199</b> )	
42A	1060380	1	Lanyard 10in/25.4cm Length	
42B	1060799	1	Lanyard 11-1/2in/29cm Length	
43	3420592	1	Hairpin (Not Used) (SN <b>0030002099 through 0030002199</b> )	
44	3760170	1	Ring, Split Only with Combination 2 inch Ball (Prior to SN <b>0030002099</b> )	
		Ref	<b>HYDRAULIC BRAKE AND AXLE INSTALLATION</b>	
	0273608	Ref	Hydraulic Brake and Axle Installation T350 All Machines (Except SN <b>0030000121 through 0030000140</b> , Excluding <b>0030000142, 0030000143 and 0030000153</b> )	B
	9984242	Ref	Hydraulic Brake and Axle Installation (T350 SN <b>0030000121 through 0030000140</b> ; Including <b>0030000142, 0030000143 and 0030000153</b> )	A
	0273609	Ref	Hydraulic Brake and Axle Installation T500J	B
101		Ref	Axle Assembly with Hydraulic Brakes Options (See HYDRAULIC BRAKE ASSEMBLY (ANSI AND ANSI EXPORT SPEC MACHINES for Breakdown):	
101	0280154	1	Axle Assembly with Hydraulic Brakes (T350 Except SN <b>0030000121 through 0030000140</b> ; Excluding <b>0030000142, 0030000143 and 0030000153</b> )	
	9984240	1	Axle Assembly with Hydraulic Brakes (Use p/n 0280154) (T350 SN <b>0030000121 through 0030000140</b> ; Including <b>0030000142, 0030000143 and 0030000153</b> )	
101	0280155	1	Axle Assembly with Hydraulic Brakes T500J	
102	0642012	4	Bolt 5/8in-11NC x 1-1/2in	
103	3312005	4	Locknut 5/8in-11NC	
104	4892000	8	Flatwasher 5/8in Hardened	
105	9984241	8	Spacer (Not Shown) (T350 SN <b>0030000121 through 0030000140</b> ; Including <b>0030000142, 0030000143 and 0030000153</b> )	
		Ref	<b>TIRE AND WHEEL INSTALLATION</b>	
		Ref	Tire and Wheel Installation T350	
	0273610	Ref	ANSI and ANSI Export Specs (Prior to SN <b>0030002529</b> )	B
	0275210	Ref	ANSI and ANSI Export Specs (SN <b>0030002529 through 0030012032</b> )	C
	0275210	Ref	Australian Specs	C
		Ref	Tire and Wheel Installation T500J	
	0273611	Ref	ANSI and ANSI Export Specs (Prior to SN <b>0030002529</b> )	B
	0275211	Ref	ANSI and ANSI Export Specs (SN <b>0030002529 through 0030012032</b> )	B

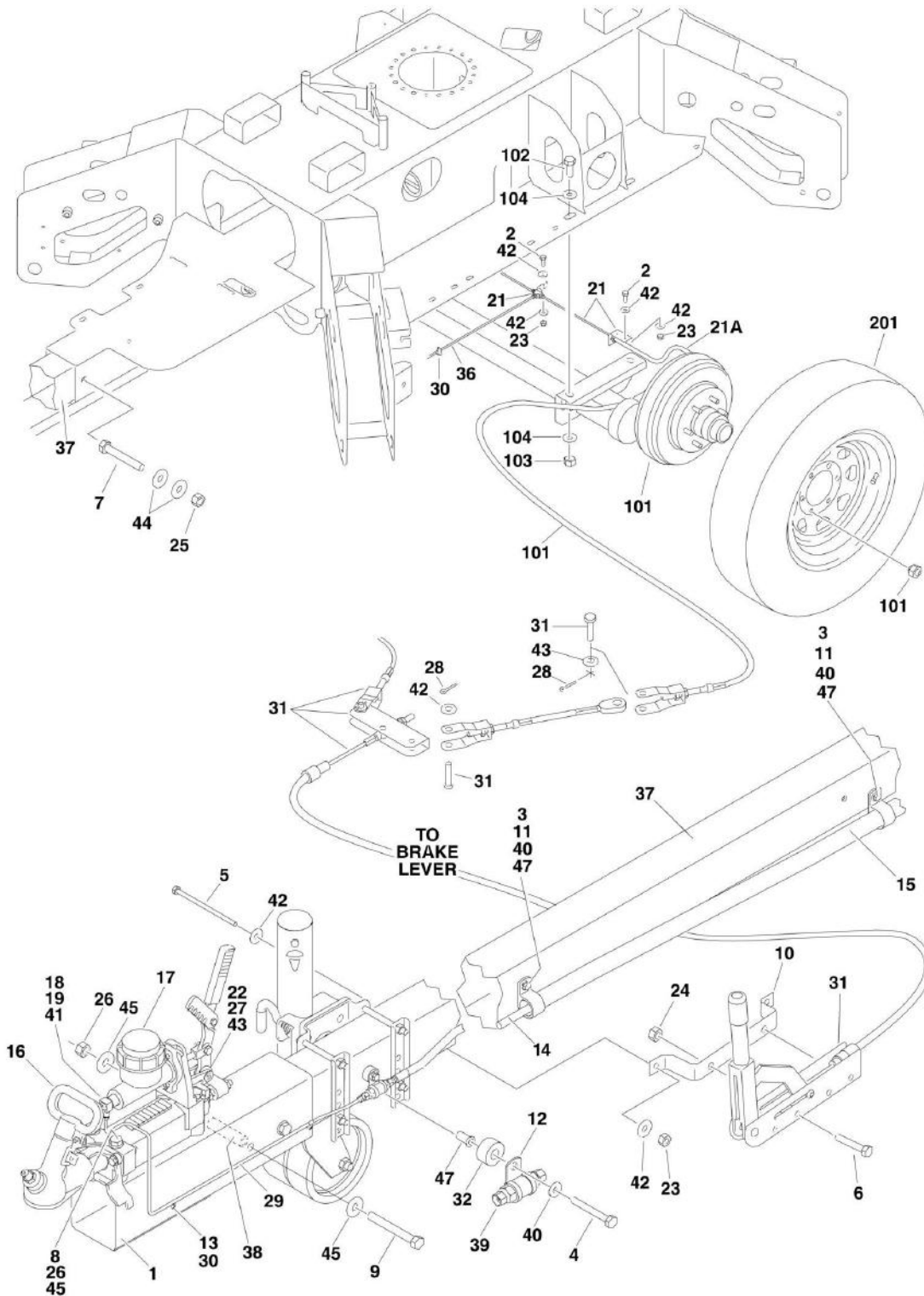
## SECTION 1 - FRAME

ITEM	PART NUMBER	QTY	DESCRIPTION	REV
	0275211	Ref	<b>Australian Specs</b>	B
201		Ref	Tire and Wheel Assembly	
201	4520323	2	Tire and Wheel Assembly T350 (205-75-R14) (ANSI and ANSI Export Specs) (Serviced as an Assembly Only) (Use p/n 1001109586) <b>(Prior to SN 0030002529)</b>	
201	4520613	2	Tire and Wheel Assembly T350 (205-75-R14) (ANSI and ANSI Export Specs) (Serviced as an Assembly Only) (Use p/n 1001109586) <b>(Prior to SN 0030002529)</b>	
201	4520613	2	Tire and Wheel Assembly T350 (205-75-R14) (ANSI and ANSI Export Specs and Australian Specs) (Serviced as an Assembly Only) (Use p/n 1001109586) <b>(SN 0030002529 through 0030003104, Prior to SN 0030003105)</b>	
201	1001109586	2	Tire and Wheel Assembly T350 (215-75-R14) (ANSI and ANSI Export Specs and Australian Specs) <b>(SN 0030003105 through 0030012032)</b>	
201	70002204	2	Tire, Replacement (215-75-R14)	
201	70002205	2	Wheel, Replacement (14 x 6)	
201	4520322	2	Tire and Wheel Assembly T500J (225-75-R15) (ANSI and ANSI Export Specs) (Serviced as an Assembly Only) (Use p/n 4520614) <b>(Prior to SN 0030002529)</b>	
201	4520614	2	Tire and Wheel Assembly T500J (225-75-R15) (ANSI and ANSI Export Specs and Australian Specs - All) (Serviced as an Assembly Only) <b>(SN 0030002529 through 0030012032)</b>	



# SECTION 1 - FRAME

FIGURE 1-5. AXLE AND TONGUE INSTALLATION WITH HYDRAULIC BRAKES - WITH 50MM BALL (ANSI EXPORT, AUSTRALIAN AND SOUTH AFRICA SPEC MACHINES)





## SECTION 1 - FRAME

**FIGURE 1-5. AXLE AND TONGUE INSTALLATION WITH HYDRAULIC BRAKES - WITH 50MM BALL  
(ANSI EXPORT, AUSTRALIAN AND SOUTH AFRICA SPEC MACHINES)**

ITEM	PART NUMBER	QTY	DESCRIPTION	REV
		Ref	<b>HYDRAULIC BRAKE AND TONGUE INSTALLATIONS</b>	
	0274766	Ref	<b>Hydraulic Brake and Tongue Installations T350 with 50mm Ball (ANSI Export and Australian Specs)</b>	F
	0275629	Ref	<b>Hydraulic Brake and Tongue Installations T350 with 50mm Ball (South Africa Specs)</b>	E
1		Ref	Adapter, Tongue Options:	
1	0080282	1	Adapter, Tongue T350 (ANSI Export and Australian Spec)	
1	0080286	1	Adapter, Tongue T350 (South Africa Spec)	
1	See Note	1	Adapter, Tongue T500J (Note: Not Available for Purchase)	
2	0641406	5	Bolt 1/4in-20NC x 3/4in	
3	0641412	2	Bolt 1/4in-20NC x 1-1/2in	
4	0641416	1	Bolt 1/4in-20NC x 2in	
5	0641430	2	Bolt 1/4in-20NC x 3-3/4in	
6	0641514	2	Bolt 5/16in-18NC x 1-3/4in	
7	0642240	2	Bolt 3/4in-10NC x 5in	
8	0711227	4	Bolt (Metric) 12 x 100mm	
9	0711229	2	Bolt (Metric) 12 x 120mm	
10	0903108	1	Bracket, Parking Brake	
11	1320060	2	Clamp	
12	1320061	1	Clamp	
13	1321676	2	Clamp	
14	1560016	1	Conduit	
15	1560017	1	Conduit	
16	1660298	1	Coupler, 50mm Ball (Note: No Service Parts Breakdown at Time of Printing)	
17	1684524	1	Cylinder, Master Brake Assembly (Note: No Service Parts Breakdown at Time of Printing)	
18	2221272	1	Fitting	
19	2221273	1	Fitting	
20	2300006	AR	Fluid, Brake - DOT3 (Not Shown)	
21	2902349	1	Brake Line Kit (Includes qty 2 of these items: 12in Steel Lines with Fittings, 18in Hoses, Mounting Angles and Clamps. Also, Includes qty 1 Tee Fitting with Mounting Bracket)	
21A	7027890	2	Replacement Hose Only	
22	2980130	1	Lever, Pivot	
23	3311405	7	Locknut 1/4in-20NC	
24	3311505	2	Locknut 5/16in-18NC	
25	3312205	2	Locknut 3/4in-10NC	
26	3331211	6	Nut M12 x 1.75	
27	3371910	1	Pin, Roll	
28	3450304	AR	Pin, Cotter	
29	3460557	1	Pipe, Brake Line Assembly	
30	3820017	4	Rivet, Pop	
31		Ref	Parking Brake Cable Assembly Options (See PARKING BRAKE CABLE (ANSI, ANSI EXPORT AND AUSTRALIAN SPEC MACHINES ONLY) AND TRANSPORT LOCK ASSEMBLIES for Breakdown):	
31	3890041	1	Parking Brake Cable Assembly T350	
31	3890042	1	Parking Brake Cable Assembly T500J	
32	4071122	1	Shim, Spacer	
33	4240032	AR	Tiestrap 4in/10cm (Not Shown)	

# SECTION 1 - FRAME

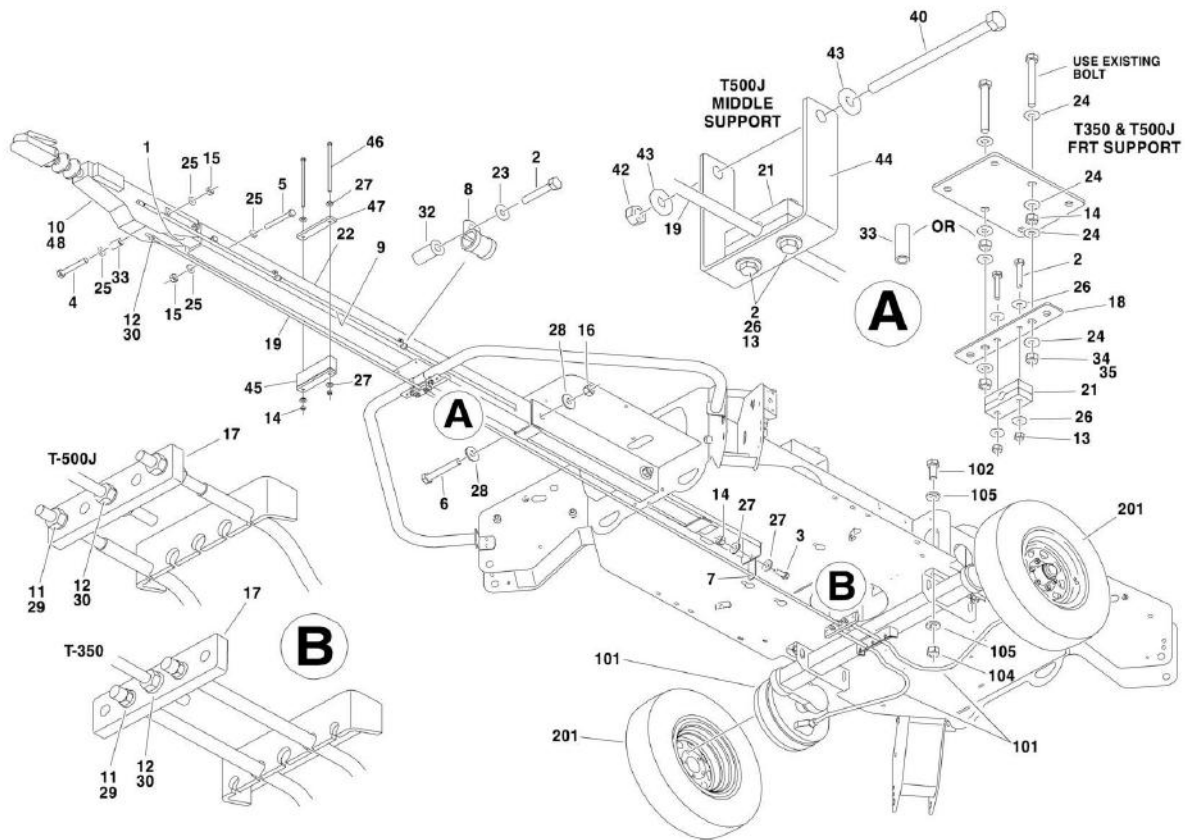
ITEM	PART NUMBER	QTY	DESCRIPTION	REV
34	4240033	AR	Tiestrap 7in/18cm (Not Shown)	
35	4460121	6	Terminal, Wire Cap (Not Shown)	
36	4569096	1	Tube, Hydraulic Brake	
37		Ref	Tongue Options:	
37	4569447	1	Tongue T350	
37	See Note	1	Tongue T500J (Note: Not available for purchase)	
38	4569450	2	Tube, Spacer	
39	4641496	1	Valve, 10lb. Residual Pressure	
40	4711400	3	Flatwasher 1/4in Thin	
41	4740571	2	Flatwasher, Copper	
42	4751400	16	Flatwasher 1/4in Regular	
43	4751500	4	Flatwasher 5/16in Regular	
44	4752200	4	Flatwasher 3/4in Regular	
45	4812100	10	Flatwasher 12mm	
46		Ref	Trailer Plug Harness Options (Not Shown - See ELECTRICAL SECTION for Breakdown):	
46	4923268	1	Trailer Plug Harness ( <b>Prior to SN 0030002169</b> )	
46	4923317	1	Trailer Plug Harness ( <b>SN 0030002169 through 0030012032</b> )	
47	8580420	3	Wellnut	
		Ref	<b>HYDRAULIC BRAKE AND AXLE INSTALLATION</b>	
	0273608	Ref	<b>Hydraulic Brake and Axle Installation T350</b>	B
	0273609	Ref	<b>Hydraulic Brake and Axle Installation T500J</b>	B
101		Ref	Axle Assembly with Hydraulic Brakes Options (See HYDRAULIC BRAKE ASSEMBLY (ANSI AND ANSI EXPORT SPEC MACHINES for Breakdown):	
101	0280154	1	Axle Assembly with Hydraulic Brakes T350	
101	0280155	1	Axle Assembly with Hydraulic Brakes T500J	
102	0642012	4	Bolt 5/8in-11NC x 1-1/2in	
103	3312005	4	Locknut 5/8in-11NC	
104	4892000	8	Flatwasher 5/8in Hardened	
		Ref	<b>TIRE AND WHEEL INSTALLATION</b>	
		Ref	<b>Tire and Wheel Installation T350</b>	
	0273610	Ref	<b>ANSI and ANSI Export Specs (Prior to SN 0030002529)</b>	B
	0275210	Ref	<b>ANSI and ANSI Export Specs (SN 0030002529 through 0030012032)</b>	C
	0275210	Ref	<b>Australian and South Africa Specs</b>	C
		Ref	<b>Tire and Wheel Installation T500J</b>	
	0273611	Ref	<b>ANSI and ANSI Export Specs (Prior to SN 0030002529)</b>	B
	0275211	Ref	<b>ANSI and ANSI Export Specs (SN 0030002529 through 0030012032)</b>	B
	0275211	Ref	<b>Australian and South Africa Specs</b>	B
201		Ref	Tire and Wheel Assembly	
201	4520323	2	Tire and Wheel Assembly T350 (205-75-R14) (ANSI and ANSI Export Specs) (Serviced as an Assembly Only) (Use p/n 1001109586) ( <b>Prior to SN 0030002529</b> )	
201	4520613	2	Tire and Wheel Assembly T350 (205-75-R14) (ANSI and ANSI Export Specs) (Serviced as an Assembly Only) (Use p/n 1001109586) ( <b>Prior to SN 0030002529</b> )	
201	4520613	2	Tire and Wheel Assembly T350 (205-75-R14) (ANSI and ANSI Export Specs and Australian and South Africa Specs) (Serviced as an Assembly Only) (Use p/n 1001109586) ( <b>SN 0030002529 through 0030003105, Prior to SN 0030003105</b> )	
201	1001109586	2	Tire and Wheel Assembly T350 (215-75-R14) (ANSI and ANSI Export Specs and Australian and South Africa Specs)	

## SECTION 1 - FRAME

ITEM	PART NUMBER	QTY	DESCRIPTION	REV
201	70002204	2	<b>(SN 0030003105 through 0030012032)</b> Tire, Replacement (215-75-R14)	
201	70002205	2	Wheel, Replacement (14 x 6)	
201	4520322	2	Tire and Wheel Assembly T500J (225-75-R15) (ANSI and ANSI Export Specs) (Serviced as an Assembly Only) (Use p/n 4520614) <b>(Prior to SN 0030002529)</b>	
201	4520614	2	Tire and Wheel Assembly T500J (225-75-R15) (ANSI and ANSI Export Specs and Australian and South Africa Specs - All) (Serviced as an Assembly Only) <b>(SN 0030002529 through 0030012032)</b>	

# SECTION 1 - FRAME

## FIGURE 1-6. AXLE AND TONGUE INSTALLATION WITH MECHANICAL BRAKES (CE SPEC MACHINES)



## SECTION 1 - FRAME

### FIGURE 1-6. AXLE AND TONGUE INSTALLATION WITH MECHANICAL BRAKES (CE SPEC MACHINES)

ITEM	PART NUMBER	QTY	DESCRIPTION	REV
		Ref	<b>HYDRAULIC BRAKE AND TONGUE INSTALLATIONS</b>	
	0273651	Ref	<b>Hydraulic Brake and Tongue Installations T350 with 50mm Ball (Machines without Drive Option)</b>	G
	0275379	Ref	<b>Hydraulic Brake and Tongue Installations T350 with 50mm Ball (Machines with Drive Option)</b>	D
	0273657	Ref	<b>Hydraulic Brake and Tongue Installations T500J with 50mm Ball (Machines without Drive Option) (South Africa Spec) (SN 0030006102 through 0030012032)</b>	G
	0273658	Ref	<b>Hydraulic Brake and Tongue Installations T500J with 50mm Ball (Machines with Drive Option)</b>	B
1		Ref	Adapter, Hitch	
1	0080266	1	Adapter, Hitch T350 <b>(Prior to SN 0030008590)</b>	
1	1001227795	1	Adapter, Hitch T350 <b>(SN 0030008590 through 0030012032)</b>	
1	Not Required	0	Adapter, Hitch T500J	
2	0641412	AR	Bolt 1/4in-20NC x 1-1/2in	
3	0641608	AR	Bolt 3/8in-16NC x 1in	
4		Ref	Bolt Options:	
4	0711225	2	Bolt T350 (Bolt 12mm x 85mm) <b>(Prior to SN 0030007184)</b>	
4	0711228	2	Bolt T350 (Bolt 12mm x 110mm) <b>(SN 0030007184 through 0030012032)</b>	
4	0711631	2	Bolt T500J (Bolt 16mm x 140mm)	
5	0711227	2	Bolt 12mm x 100mm (T350 Only)	
6		Ref	Bolt Options:	
6	0642240	2	Bolt T350 (Bolt 3/4in-10NC x 5in)	
6	0642244	2	Bolt T500J (Bolt 3/4in-10NC x 5-1/2in)	
7	0903215	1	Bracket, Brake Rod Support (Without Drive Option Only)	
8	1320061	AR	Clamp	
9	1560016	AR	Conduit Options:	
9		Ref	Conduit T350	
9		Ref	Conduit T500J	
10		Ref	Coupler Assembly - Hydraulic Brake Options (See HYDRAULIC BRAKE COUPLER WITH 50MM BALL ASSEMBLY (CE SPEC MACHINES) for Breakdown):	
10	1660282	NLA	Coupler Assembly - Hydraulic Brake T350 (Use p/n 1001214170)	
10	1001161223	NLA	Coupler Assembly - Hydraulic Brake T350 (Use p/n 1001214170) <b>(Prior to SN 0030007184)</b>	
10	1001214168	1	Coupler Assembly - Hydraulic Brake T350 <b>(SN 0030007184 through 0030012032)</b>	
10	1660283	1	Coupler Assembly - Hydraulic Brake T500J	
11		Ref	Nut Options:	
11	3290801	4	Nut T350 (Nut M8)	
11	3291001	4	Nut T500J (Nut M10)	
12	3291001	3	Nut M10	
13	3311405	AR	Locknut 1/4in-20NC	
14	3311605	AR	Locknut 3/8in-16NC	
15		Ref	Nut M12	
15	3331205	4	Nut T350 (Nut M12) (Use p/n 3331217)	
15	3291605	2	Nut T500J (Nut M16)	
16	3312205	2	Locknut 3/4in-10NC	
17	3575853	1	Plate, Equalizer (Parking Brake) (Without Drive Option Only)	

# SECTION 1 - FRAME

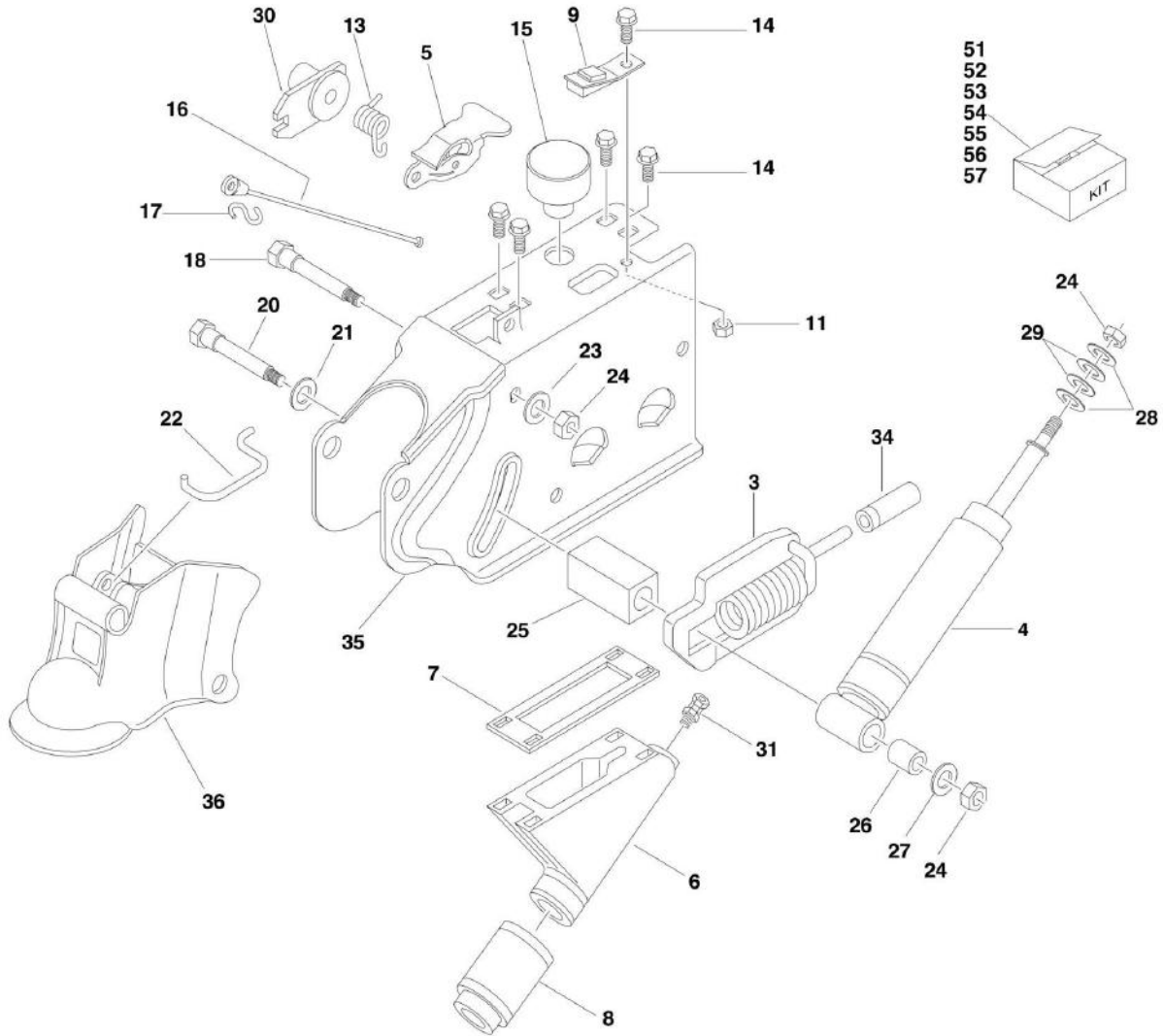
ITEM	PART NUMBER	QTY	DESCRIPTION	REV
18	3575869	1	Plate, Support (Parking Brake)	
19		Ref	Rod Options (Without Drive Option Only):	
19	3841696	1	Rod T350	
19	3841697	1	Rod T500J	
20	4240032	AR	Tie-Strap 4in/10cm (Not Shown)	
21	4341040	1	Support, Brake Rod	
22		Ref	Tube, Tongue Options:	
22	4569182	1	Tube, Tongue T350	
22	4569220	1	Tube, Tongue T500J	
23	4711400	AR	Flatwasher 1/4in Thin	
24		Ref	Flatwasher Options:	
24	4711600	8	Flatwasher T350 (3/8in Thin)	
24	4751600	4	Flatwasher T500J (3/8in Regular)	
25		Ref	Flatwasher Options:	
25	4812100	8	Flatwasher T350 (Flatwasher M12)	
25	4812300	4	Flatwasher T500J (Flatwasher M16)	
26	4751400	AR	Flatwasher 1/4in Regular	
27	4751600	AR	Flatwasher 3/8in Regular	
28	4752200	4	Flatwasher 3/4in Regular	
29		Ref	Flatwasher Options:	
29	4811900	4	Flatwasher T350 (M8)	
29	4812000	4	Flatwasher T500J (M10)	
30	4812000	3	Flatwasher M10	
31		Ref	Harness Options (Not Shown - See ELECTRICAL SECTION for Breakdown):	
31		Ref	Harness T350 Options:	
31	4923268	1	Harness ( <b>Prior to SN 0030005642</b> )	
31	1001155254	1	Harness ( <b>SN 0030005642 through 0030012032</b> )	
31	4923269	1	Harness T500J	
32	8580420	AR	Wellnut	
33		Ref	Stop, Hitch Options:	
33	4220259	AR	Stop, Hitch T350	
33	4220260	AR	Stop, Hitch T500J	
34		Ref	Nut Options	
34	3311605	2	Nut T350 (Locknut 3/8in-16NC)	
34	3311608	2	Nut T500J (Serrated Flange Nut 3/8in-16NC)	
35	0100011	AR	Compound, Locking	
40	0641538	1	Bolt 5/16in-18NC x 4-3/4in (T500J Only)	
42	3311505	1	Locknut 5/16in-18NC (T500J Only)	
43	4751500	2	Flatwasher 5/16in Regular (T500J Only)	
44	0903216	1	Bracket, Support (T500J Only)	
45	1001186711	1	Support, Brake Rod (T500J – Africa Spec Only) ( <b>SN 0030006102 through 0030012032</b> )	
46	0641668	AR	Bolt, 3/8-16NC x 8 1/2 (T500J – Africa Spec Only) ( <b>SN 0030006102 through 0030012032</b> )	
47	3575786	1	Bar, Tube Mount (T500J – Africa Spec Only) ( <b>SN 0030006102 through 0030012032</b> )	
48	1001214169	1	Coupling, Adapter Plate T350 ( <b>SN 0030007184 through 0030008590</b> )	
		Ref	<b>BRAKE AND AXLE INSTALLATION</b>	
	0273652	Ref	<b>Brake and Axle Installation T350</b>	D
	0273656	Ref	<b>Brake and Axle Installation T500J (South Africa Spec) (SN 0030006102 through 0030012032)</b>	E

## SECTION 1 - FRAME

ITEM	PART NUMBER	QTY	DESCRIPTION	REV
101		Ref	Axle Assembly with Brakes Options (See MECHANICAL BRAKE ASSEMBLY (CE SPEC MACHINES) for Breakdown):	
101	0280186	1	Axle Assembly with Brakes T350	
101	0280187	1	Axle Assembly with Brakes T500J	
102	0642012	4	Bolt 5/8in-11NC x 1-1/2in	
104	3312005	4	Locknut 5/8in-11NC	
105	4892000	8	Flatwasher 5/8in Hardened	
	0274351	Ref	<b>Axle Assembly with Brakes T350</b>	D
	0274352	Ref	<b>Axle Assembly with Brakes T500J (225-75-R16 Radial) (South Africa Spec) (SN 0030006102 through 0030012032)</b>	E
201		Ref	Tire and Wheel Assembly Options (Serviced as an Assembly Only):	
201	4520377	2	185R14C Tire and Wheel (T350)	
201	4520378	2	225R16C Tire and Wheel (T500J)	
201		Ref	Decal - Tire Pressure Options (Not Shown Located on Frame Below VIN Plate):	
201	1706705	2	Decal - 4.5 Bar (T350)	
201	1706706	2	Decal - 5.7 Bar (T500J)	

# SECTION 1 - FRAME

FIGURE 1-7. HYDRAULIC BRAKE COUPLER WITH 2 INCH BALL ASSEMBLY (ANSI AND ANSI EXPORT SPEC MACHINES) (Prior to SN 0030002099)





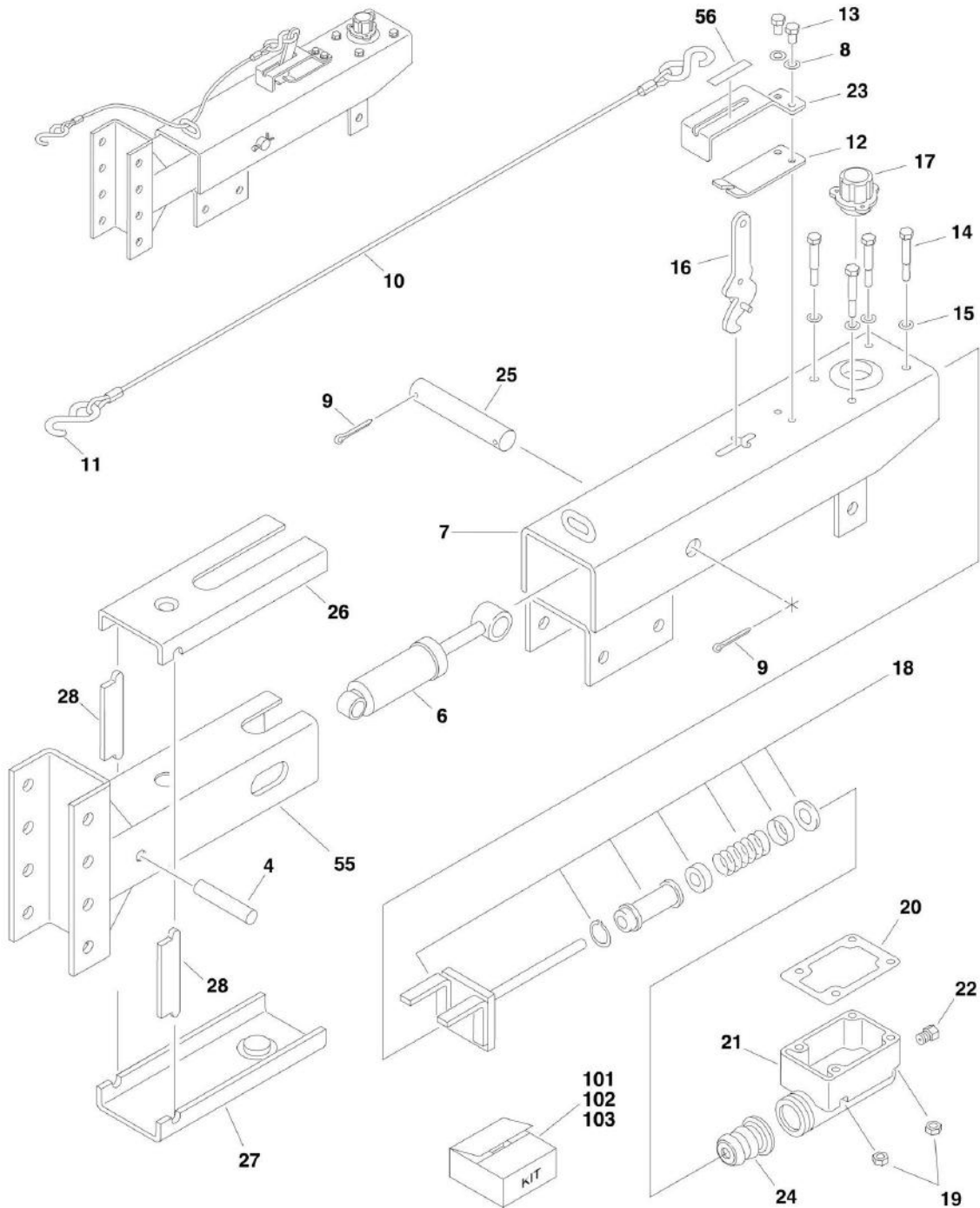
## SECTION 1 - FRAME

**FIGURE 1-7. HYDRAULIC BRAKE COUPLER WITH 2 INCH BALL ASSEMBLY (ANSI AND ANSI EXPORT SPEC MACHINES) (Prior to SN 0030002099)**

ITEM	PART NUMBER	QTY	DESCRIPTION	REV
	1660265	Ref	<b>HYDRAULIC BRAKE COUPLER WITH 2 INCH BALL ASSEMBLY</b>	B
3	See Note	1	Push-Rod (Note: Use Item 55 or 56)	
4	7027680	1	Shock Absorber	
5	7027683	1	Handle, Release	
6	7027687	1	Master Cylinder	
7	See Note	1	Gasket (Note: Use Item 55 or 56)	
8	7027686	1	Boot	
9	See Note	1	Stop (Note: Use Item 54, 55 or 56)	
11	See Note	1	Locknut (Note: Use Item 54, 55 or 56)	
13	7027683	1	Spring	
14	See Note	5	Bolt (Note: Use Item 54, 55 or 56)	
15	7027681	1	Cap	
16	See Note	1	Lanyard (Note: Use Item 55 or 56)	
17	See Note	1	S-Hook (Note: Use Item 55 or 56)	
18	7027683	1	Bolt	
20	7027682	1	Bolt	
21	7027682	1	Flatwasher	
22	7027683	1	Link	
23	See Note	1	Flatwasher (Note: Not Available for Purchase)	
24	See Note	3	Locknut (Note: Use Item 51, 52, 53, 54, 55 or 56)	
25	7027682	1	Block	
26	7027682	1	Bushing	
27	7027682	1	Flatwasher	
28	7027680	2	Flatwasher	
29	7027680	2	Flatwasher	
30	7027683	1	Bracket	
31	70000233	1	Fitting, Elbow	
34	See Note	1	Piston (Note: Use Item 55 or 56)	
35	See Note	1	Housing (Note: Purchase Complete Assembly p/n 1660265)	
36	See Note	1	Hitch (Note: Purchase Complete Assembly p/n 1660265)	
51	7027680	1	Kit 1 - Shock Absorber Kit (Includes Qty 1 of Item 4 & Qty 2 of Items 24, 28 & 29)	
52	7027682	1	Kit 2 - Hardware Kit (Includes Qty 1 of Items 20, 21, 25, 26, 27 & Qty of Item 24)	
53	7027683	1	Kit 3 - Release Handle Kit (Includes Qty 1 of Items 5, 13, 18, 22, 30 & Qty 3 of Item 24)	
54	7027684	1	Kit 4 - Stop and Spring Kit (Includes Qty 1 of Items 9, 11, 14 & 24)	
55	7027685	1	Kit 5 - Push Rod Kit (Includes Qty 1 of 3, 7, 8, 9, 11, 16, 17, 34 & Qty 2 of Item 24 & Qty 5 of Item 14)	
56	7027687	1	Kit 6 - Master Cylinder & Push Rod Kit (Includes Qty 1 of Items 3, 6-9, 11, 16, 17, 34 & Qty 2 of Item 24 & Qty 5 of Item 14)	
57	7027689	1	Kit 7 - Solenoid Kit (Includes Solenoid, Cylinder and Gasket)	

# SECTION 1 - FRAME

FIGURE 1-8. HYDRAULIC BRAKE COUPLER WITH COMBINATION 2 INCH BALL ASSEMBLY (ANSI AND ANSI EXPORT SPEC MACHINES) (Prior to SN 0030002099)



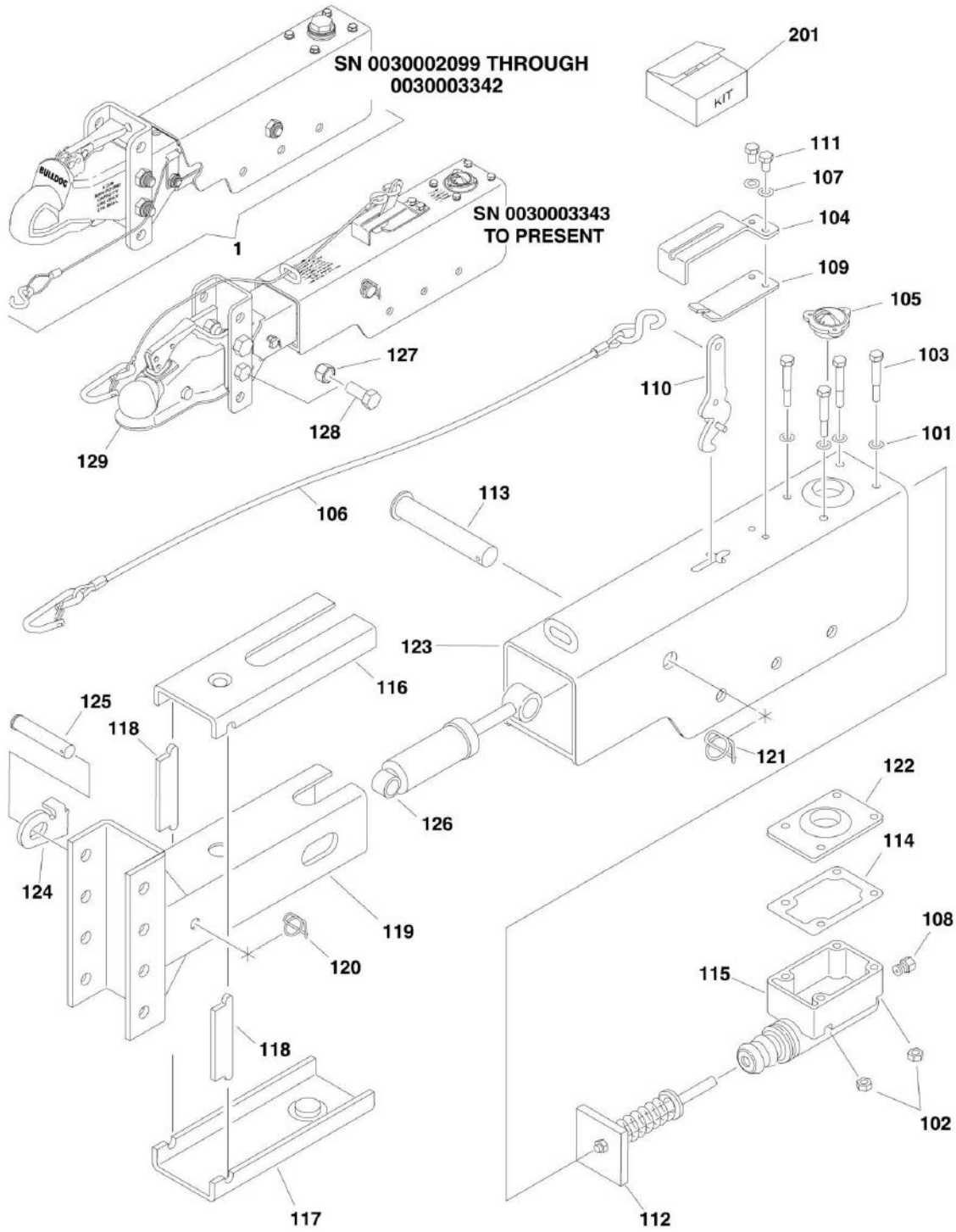
## SECTION 1 - FRAME

**FIGURE 1-8. HYDRAULIC BRAKE COUPLER WITH COMBINATION 2 INCH BALL ASSEMBLY (ANSI AND ANSI EXPORT SPEC MACHINES) (Prior to SN 0030002099)**

ITEM	PART NUMBER	QTY	DESCRIPTION	REV
	1660279	Ref	<b>HYDRAULIC BRAKE COUPLER WITH COMBINATION 2 INCH BALL ASSEMBLY</b>	B
4	7026352	1	Pin	
6	7026353	1	Shock, Damper	
7	7026354	1	Case, Outer	
8	4761500	2	Lockwasher 5/16in	
9	See Note	2	Pin, Cotter (Note: Not Available - Purchase Locally)	
10	19613	1	Cable with Hooks	
11	See Note	2	Hook (Note: Not Available Purchase p/n 19613)	
12	7026361	1	Plate, Emergency Lever Spring	
13	0641505	2	Bolt 5/16in-18NC x 5/8in	
14	0641416	4	Bolt 1/4in-20NCx 2in	
15	4761400	4	Lockwasher 1/4in	
16	7026361	1	Lever, Emergency	
17	19616	1	Cap, Master Cylinder (Includes Diaphragm and Ring)	
18	See Note	1	Push Rod and Piston Assembly (Master Cylinder) (Note: Not Available - Purchase Repair Kit p/n 7026362)	
19	3311401	4	Nut 1/4in-20NC	
20	7026370	1	Gasket (Master Cylinder)	
21	19615	1	Reservoir (Master Cylinder)	
22	7026355	1	Fitting with Orifice	
23	7026356	1	Guide, Emergency Lever	
24	7026374	1	Boot	
25	7026357	1	Pin	
26	7026358	1	Slider, Upper	
27	7026359	1	Slider, Lower	
28	7026360	2	Spacer, Side	
55	7027718	1	Slider, Channel Centered	
56	7026373	1	Decal - Towable/Not Towable	
101	7026361	1	Kit 1 - Emergency Lever Replacement Kit (Includes Items 11,12 & 16)	
102	7026362	1	Kit 2 - Master Cylinder Repair Kit (Includes Items 20, 24 & Parts to Rebuilt #18)	
103	19615	1	Kit 3 - Master Cylinder Replacement Kit (Includes Items 14, 15, 19, 20 & 21)	

# SECTION 1 - FRAME

FIGURE 1-9. HYDRAULIC BRAKE COUPLER WITH COMBINATION 2 INCH BALL ASSEMBLY (ANSI AND ANSI EXPORT SPEC MACHINES) (SN 0030002099 through 0030012032)



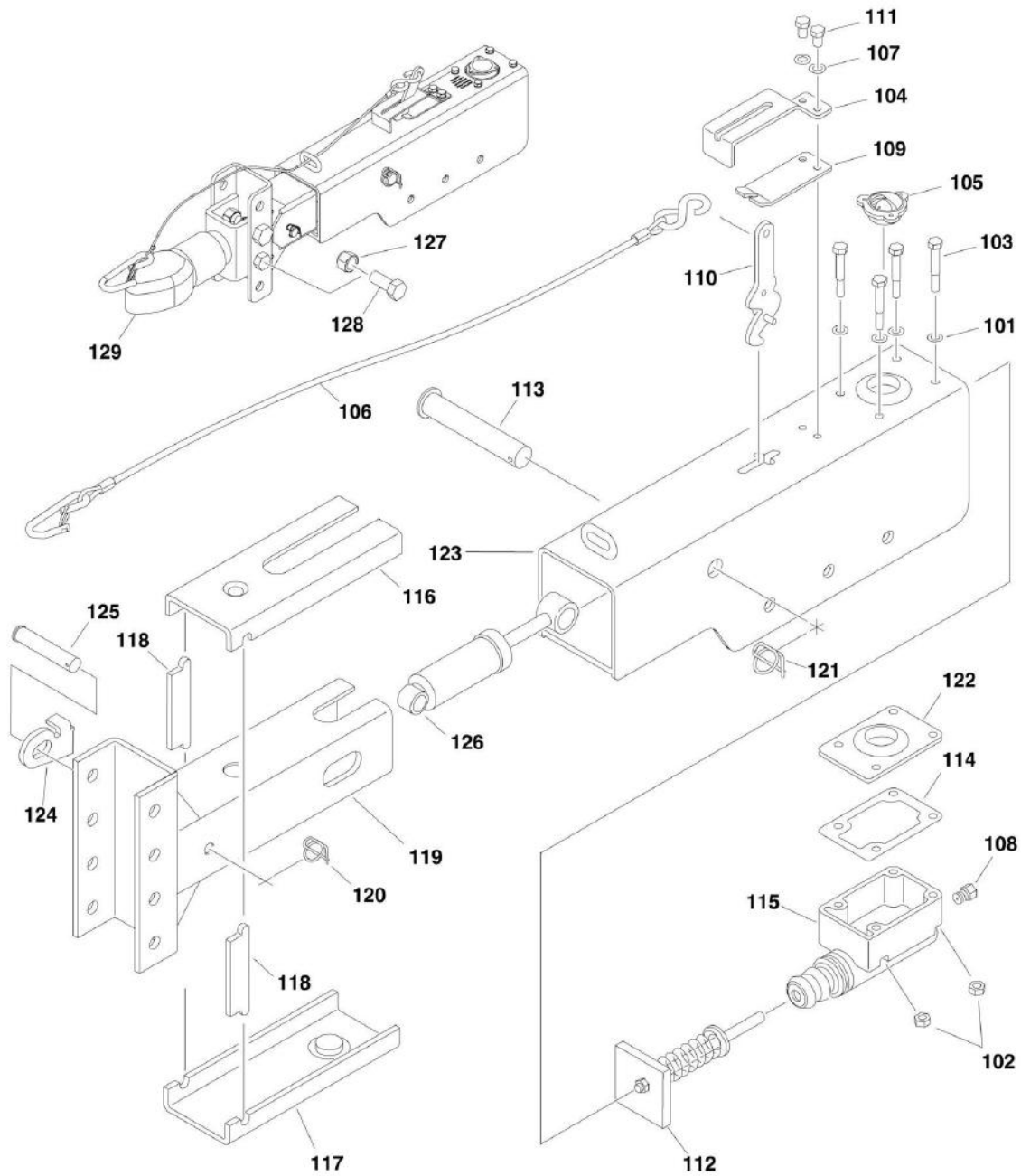
## SECTION 1 - FRAME

**FIGURE 1-9. HYDRAULIC BRAKE COUPLER WITH COMBINATION 2 INCH BALL ASSEMBLY (ANSI AND ANSI EXPORT SPEC MACHINES) (SN 0030002099 through 0030012032)**

ITEM	PART NUMBER	QTY	DESCRIPTION	REV
		Ref	<b>HYDRAULIC BRAKE COUPLER WITH COMBINATION 2 INCH BALL ASSEMBLIES</b>	
1	1660307	Ref	<b>Hydraulic Brake Coupler With Combination 2in (SN 0030002099 through 0030003343)</b>	C
1	70001047	1	Rebuild Kit, Breakaway (Includes Roller, Push Rod and Top Slide)	
1	70001048	1	Cap, Master Cylinder	
	1001116350	Ref	<b>Hydraulic Brake Coupler With Combination 2in (SN 0030003343 through 0030012032)</b>	B
101	4761400	4	Lockwasher 1/4in	
102	3311401	4	Nut 1/4in-20NC	
103	0641416	4	Bolt 1/4in-20NCx 2in	
104	7026372	1	Guide, Emergency Lever	
105	19616	1	Cap, Master Cylinder (Includes Diaphragm and O-Ring)	
106	19613	1	Cable with Hooks	
107	70002632	2	Lockwasher 5/16in	
108	7026355	1	Fitting with Orifice	
109	70002633	1	Plate, Emergency Lever Spring	
110	70002634	1	Lever, Emergency	
111	0641505	2	Bolt 5/16in-18NC x 5/8in	
112	70002635	1	Push Rod (Master Cylinder)	
113	7026367	1	Pin	
114	7026370	1	Gasket (Master Cylinder)	
115	19611	1	Reservoir (Master Cylinder)	
116	7026358	1	Slider, Upper	
117	7026359	1	Slider, Lower	
118	7026360	2	Spacer, Side	
119	70002636	1	Slider, Channel Centered	
120	70002637	1	Ring Lock, Cotter	
121	70002638	1	Ring Lock, Cotter	
122	70002639	1	Cover (Master Cylinder)	
123	70002631	1	Case, Outer	
124	70002640	1	Lever, Lock Out	
125	70002641	1	Pin	
126	7026353	1	Shock, Damper	
127	70002628	4	Locknut 5/8in-11NC	
128	70002629	4	Bolt 5/8in-11NC x 1-1/2in	
129	70002630	1	2in Coupler	
201	70002722	1	Actuator Replacement Kit (Includes Items 116, 117 & 118)	

# SECTION 1 - FRAME

FIGURE 1-10. HYDRAULIC BRAKE COUPLER WITH 2 INCH BALL AND COLLAR ASSEMBLY (ANSI AND ANSI EXPORT SPEC MACHINES) (SN 0030010384 through 0030012032)



ART\_1001243182

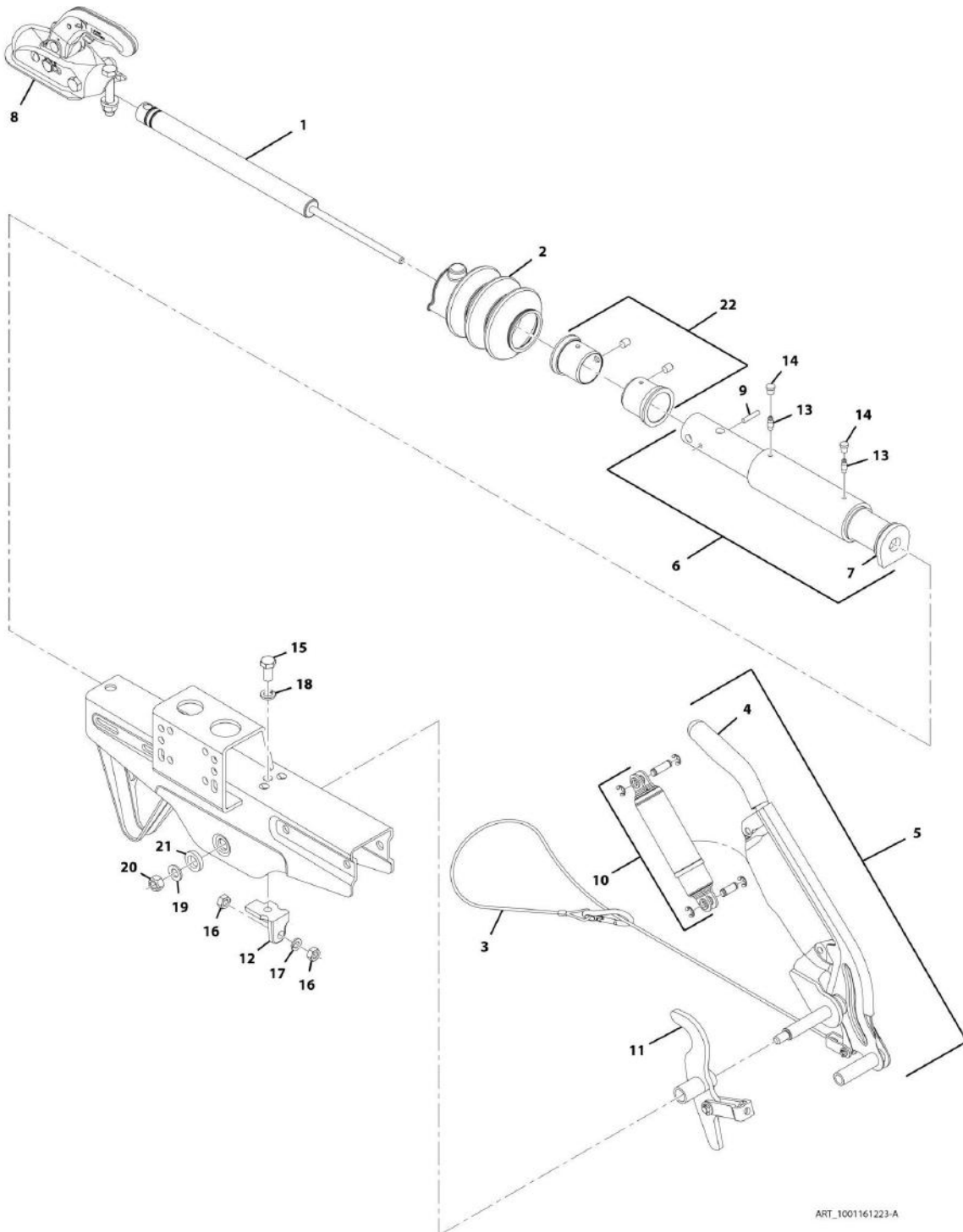
## SECTION 1 - FRAME

**FIGURE 1-10. HYDRAULIC BRAKE COUPLER WITH 2 INCH BALL AND COLLAR ASSEMBLY (ANSI AND ANSI EXPORT SPEC MACHINES) (SN 0030010384 through 0030012032)**

ITEM	PART NUMBER	QTY	DESCRIPTION	REV
	1001243182	Ref	HYDRAULIC BRAKE COUPLER WITH 2 INCH BALL AND COLLAR ASSEMBLY	B
101	4761400	4	Lockwasher 1/4in	
102	3311401	4	Nut 1/4in-20NC	
103	0641416	4	Bolt 1/4in-20NCx 2in	
104	7026372	1	Guide, Emergency Lever	
105	19616	1	Cap, Master Cylinder (Includes Diaphragm and O-Ring)	
106	19613	1	Cable with Hooks	
107	70002632	2	Lockwasher 5/16in	
108	7026355	1	Fitting with Orifice	
109	70002633	1	Plate, Emergency Lever Spring	
110	70002634	1	Lever, Emergency	
111	0641505	2	Bolt 5/16in-18NC x 5/8in	
112	70002635	1	Push Rod (Master Cylinder)	
113	7026367	1	Pin	
114	7026370	1	Gasket (Master Cylinder)	
115	19611	1	Reservoir (Master Cylinder)	
116	7026358	1	Slider, Upper	
117	7026359	1	Slider, Lower	
118	7026360	2	Spacer, Side	
119	70002636	1	Slider, Channel Centered	
120	70002637	1	Ring Lock, Cotter	
121	70002638	1	Ring Lock, Cotter	
122	70002639	1	Cover (Master Cylinder)	
123	70002631	1	Case, Outer	
124	70002640	1	Lever, Lock Out	
125	70002641	1	Pin	
126	7026353	1	Shock, Damper	
127	70002628	4	Locknut 5/8in-11NC	
128	70002629	4	Bolt 5/8in-11NC x 1-1/2in	
129	70006984	1	2in Coupler	

# SECTION 1 - FRAME

FIGURE 1-11. HYDRAULIC BRAKE COUPLER WITH 50MM BALL ASSEMBLY (CE SPEC MACHINES)





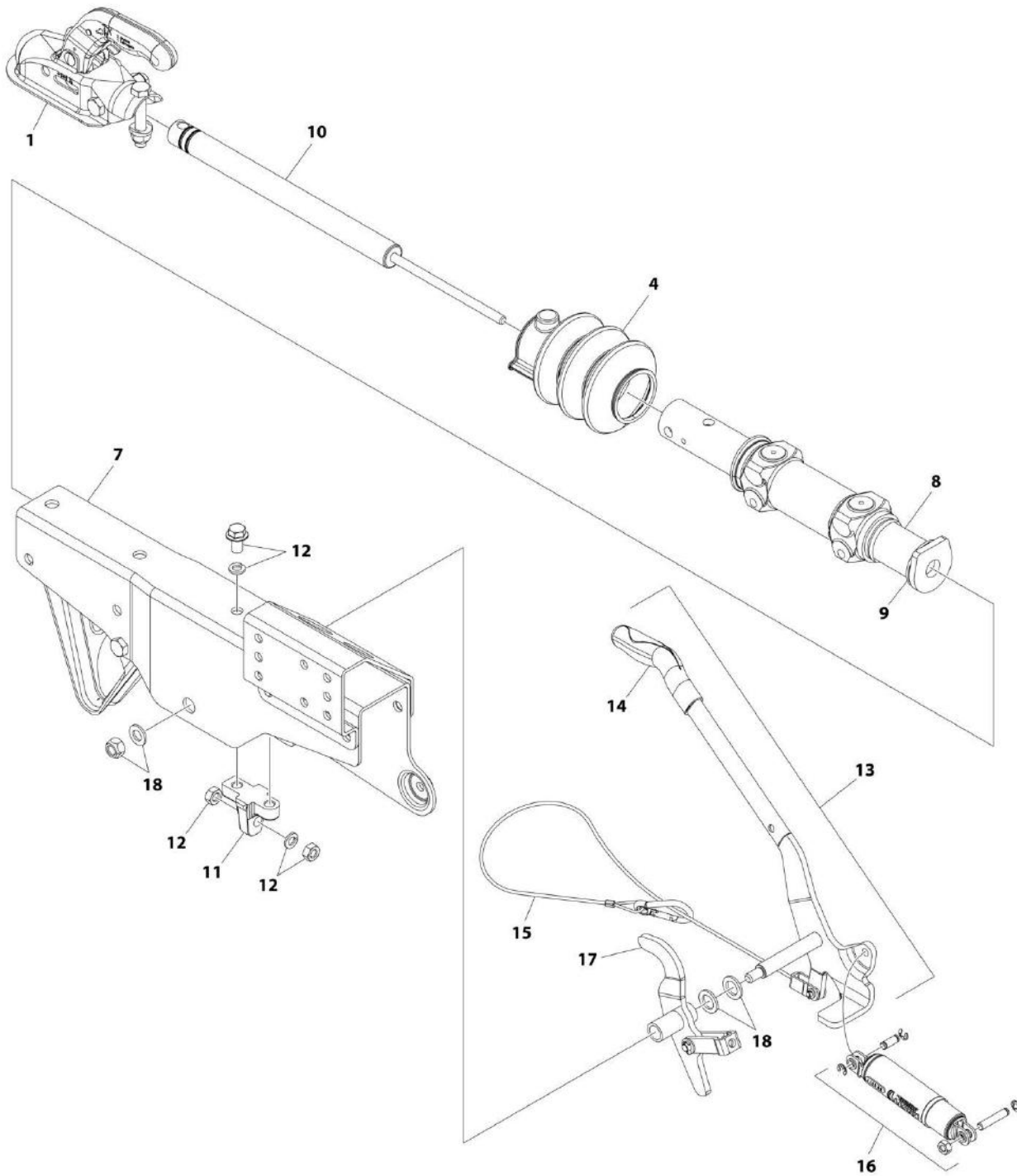
## SECTION 1 - FRAME

**FIGURE 1-11. HYDRAULIC BRAKE COUPLER WITH 50MM BALL ASSEMBLY (CE SPEC MACHINES)**

ITEM	PART NUMBER	QTY	DESCRIPTION	REV
		Ref	<b>COUPLER ASSEMBLY - HYDRAULIC BRAKE</b>	
	1660282	Ref	<b>Coupler Assembly T350 (Use p/n 1001161223)</b>	E
	1660283	Ref	<b>Coupler Assembly T500J</b>	B
1		Ref	Spring, Gas Options:	
1	70000029	1	Spring, Gas T350	
1	70000037	1	Spring, Gas T500J	
2	70000030	1	Boot	
3	70000031	1	Cable, Breakaway	
4	70000032	1	Brake Lever Assembly	
5		Ref	Brake Cylinder Assembly Options:	
5	70000033	1	Brake Cylinder Assembly T350	
5	70000038	1	Brake Cylinder Assembly T500J	
6		Ref	Tube, Draw Option (Includes Item 7):	
6	70000034	1	Tube, Draw T350	
6	70000039	1	Tube, Draw T500J	
7	70000035	1	Stop-Ring (Use p/n 70004697)	
8		Ref	Coupling Head Options:	
8	70000036	1	Coupling Head T350	
8	70000040	1	Coupling Head T500J	
9	70004698	1	Pin, Cylinder T350	
10	70004700	1	Kit, Spring Sleeve T350	
11	70004701	1	Transmission Lever T350	
12	70004705	1	Spring, Gas Mounting T350	
13	70004706	2	Grease Fitting T350	
14	70004707	2	Grease Fitting Cap T350	
15	70004708	1	Bolt T350	
16	70004709	2	Nut, M10-8 T350	
17	70004710	1	Spring Ring T350	
18	70004711	1	Spring Ring T350	
19	70004712	1	Flatwasher T350	
20	70004713	1	Nut, M12-8 T350	
21	70004714	1	Flatwasher T350	
22	70004696	1	Kit, Bearing T350	

# SECTION 1 - FRAME

FIGURE 1-12. HYDRAULIC BRAKE COUPLER WITH 50MM BALL ASSEMBLY - T350 (CSA SPEC MACHINES)



ART\_1001214168

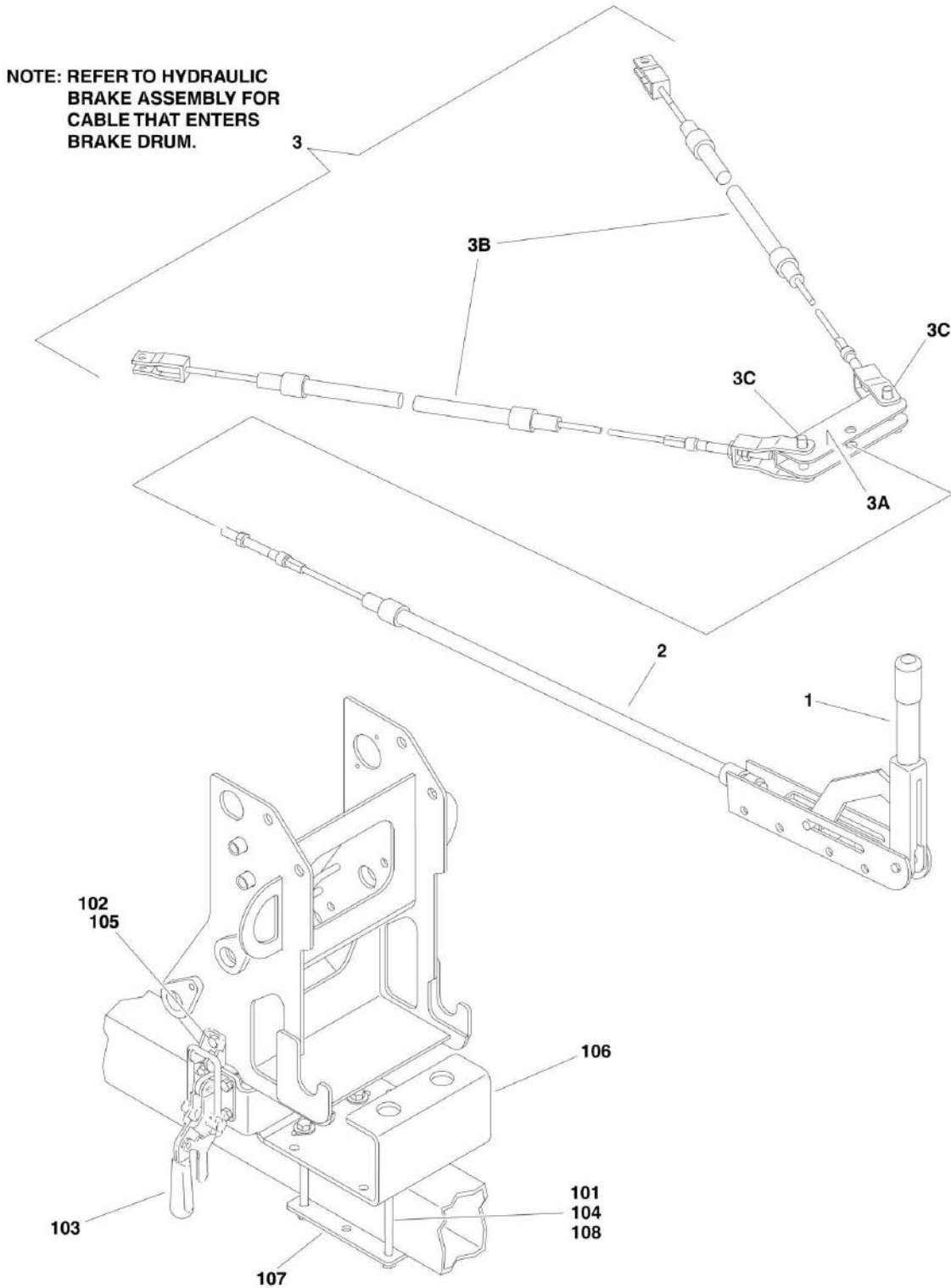
## SECTION 1 - FRAME

**FIGURE 1-12. HYDRAULIC BRAKE COUPLER WITH 50MM BALL ASSEMBLY - T350 (CSA SPEC MACHINES)**

ITEM	PART NUMBER	QTY	DESCRIPTION	REV
	1001214168	Ref	HYDRAULIC BRAKE COUPLER WITH 50MM BALL ASSEMBLY (T350) (CSA SPEC MACHINES)	A
1	70005987	1	Coupling Head	
2	70005988	2	Bolt (Not Shown)	
2	70005989	1	Caliper (Not Shown)	
2	70004713	2	Locknut (Not Shown)	
2	70005990	1	Protective Cap (Not Shown)	
3	70005991	1	Support (Not Shown)	
4	70000030	1	Bellow	
5	See Note	NSS	Ribbon Cable (Not Shown) (Note: Not Available for Purchase)	
6	70005992	1	Guide Bearing (Not Shown)	
7	See Note	NSS	Housing (Note: Not Available for Purchase)	
8	70000034	1	Tube, Draw	
9	70000035	1	Stop-Ring	
10	70004703	1	Spring, Gas	
11	70004705	1	Spring, Gas Mounting	
12	70004708	1	Bolt	
12	70004711	1	Spring, Ring	
12	70004709	2	Nut	
12	70004710	1	Spring, Ring	
13	70005993	1	Lever, Handbrake	
14	70005994	1	Handle	
15	70000031	1	Cable	
16	70005995	1	Sleeve, Spring	
17	70004701	1	Lever, Transmission	
18	70005996	1	Washer	
18	70005997	1	Washer	
18	70005998	1	Washer	
18	70004713	1	Locknut	

# SECTION 1 - FRAME

FIGURE 1-13. PARKING BRAKE CABLE (ANSI, ANSI EXPORT AND AUSTRALIAN SPEC MACHINES ONLY) AND TRANSPORT LOCK ASSEMBLIES



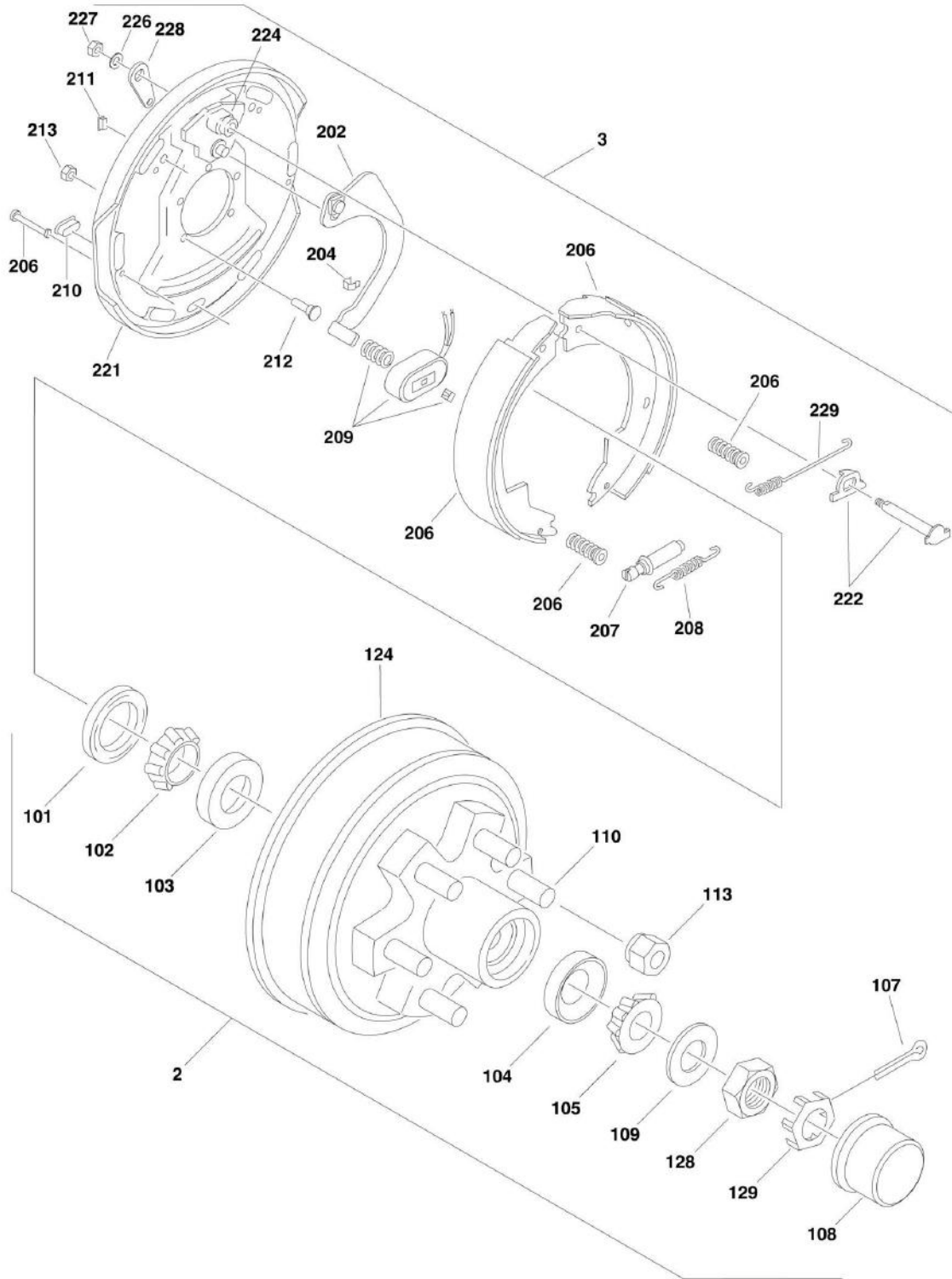
## SECTION 1 - FRAME

**FIGURE 1-13. PARKING BRAKE CABLE (ANSI, ANSI EXPORT AND AUSTRALIAN SPEC MACHINES ONLY) AND TRANSPORT LOCK ASSEMBLIES**

ITEM	PART NUMBER	QTY	DESCRIPTION	REV
		Ref	<b>PARKING BRAKE CABLE ASSEMBLIES (ANSI AND ANSI EXPORT SPEC MACHINES ONLY)</b>	
		Ref	<b>Note: For CE Spec Components, See Axle and Tongue Installation or Hydraulic Brake Assembly.</b>	
	3890043	Ref	<b>Parking Brake Cable Assemblies T350 with Electric Brakes</b>	B
	3890041	Ref	<b>Parking Brake Cable Assemblies T350 with Hydraulic Brakes</b>	B
	3890044	Ref	<b>Parking Brake Cable Assemblies T500J with Electric Brakes</b>	C
	3890042	Ref	<b>Parking Brake Cable Assemblies T500J with Hydraulic Brakes</b>	C
1	2980123	1	Handle Assembly (No Serviceable Parts Available)	
2		Ref	Brake Cable Assembly - Tongue Options:	
2	3890045	1	Brake Cable Assembly T350	
2	3890046	1	Brake Cable Assembly T500J	
3		Ref	Brake Cable Assembly - Splitter to Wheels Options:	
3	3890049	1	Brake Cable Assembly T350 with Electric Brakes	B
3	3890047	1	Brake Cable Assembly T350 with Hydraulic Brakes	B
3	3890050	1	Brake Cable Assembly T500J with Electric Brakes	B
3	3890048	1	Brake Cable Assembly T500J with Hydraulic Brakes	B
3A	See Note	1	Splitter/ Equalizer (Note: Purchase Complete Brake Cable Assembly)	
3B	See Note	2	Cable, Brake (Note: Purchase Complete Brake Cable Assembly)	
3C	See Note	2	Pin (Note: Purchase Complete Brake Cable Assembly or Source Locally)	
		Ref	<b>Note: See Axle and Tongue Installation for Additional Hardware.</b>	
		Ref	<b>TRANSPORT LOCK ASSEMBLY</b>	
	0273627	Ref	<b>Transport Lock Assembly T350</b>	E
	0274395	Ref	<b>Transport Lock Assembly T500J</b>	B
101		Ref	Bolt Options:	
101	0641640	4	Bolt 3/8in-16NC x 5in (T350)	
101	0641646	4	Bolt 3/8in-16NC x 5-3/4in (T500J)	
102	0681506	6	Bolt 5/16in-18NC x 3/4in	
103	2940159	1	Latch, Manual Clamp	
104	3311605	4	Locknut 3/8in-16NC	
105	3271505	6	Locknut 5/16in-18NC	
106	3575420	1	Plate, Transport Lock	
107		Ref	Plate, Mounting Options:	
107	3575719	1	Plate, Mounting T350	
107	3575783	1	Plate, Mounting T500J	
108	4751600	8	Flatwasher 3/8in Wide	

# SECTION 1 - FRAME

## FIGURE 1-14. ELECTRIC BRAKE AND AXLE ASSEMBLY



# SECTION 1 - FRAME

## FIGURE 1-14. ELECTRIC BRAKE AND AXLE ASSEMBLY

ITEM	PART NUMBER	QTY	DESCRIPTION	REV
		Ref	<b>AXLE ASSEMBLY</b>	
	0280158	Ref	<b>Axle Assembly T350</b>	C
	0280159	Ref	<b>Axle Assembly T500J</b>	B
		Ref	<b>Note: Front/Rear and Left/Right are determined by facing the Tow Vehicle.</b>	
1	See Note	1	Axle (Not Shown) (Note: Not Available - Purchase Complete Axle Assembly)	
2		Ref	Drum Assembly (Includes Item 101-129)	
2	70001003	2	Drum Assembly T350	
2	See Note	2	Drum Assembly T500J (Note: Not Available - Purchase individual parts)	
3		Ref	Electric Brake Assembly (Includes Item 201-229)	
3	7027665	1	Electric Brake Assembly T350 Left Side	
3	7027666	1	Electric Brake Assembly T350 Right Side	
3	7027675	1	Electric Brake Assembly T500J Left Side	
3	7027676	1	Electric Brake Assembly T500J Right Side	
		Ref	<b>DRUM ASSEMBLY</b>	
101		Ref	Seal Options (1 Per Assembly):	
101	7027647	1	Seal T350	
101	7027654	1	Seal T500J	
102		Ref	Cone, Inner Options (1 Per Assembly):	
102	7027648	1	Cone, Inner T350	
102	7026384	1	Cone, Inner T500J	
103		Ref	Cup, Inner Options (1 Per Assembly):	
103	7027649	1	Cup, Inner T350	
103	7026385	1	Cup, Inner T500J	
104		Ref	Cup, Outer Options (1 Per Assembly):	
104	7027650	1	Cup, Outer T350	
104	7027655	1	Cup, Outer T500J	
105		Ref	Cone, Outer Options (1 Per Assembly):	
105	7027651	1	Cone, Outer T350	
105	7027656	1	Cone, Outer T500J	
107	80317	2	Pin, Cotter (1 Per Assembly)	
108		Ref	Cap Options (1Per Assembly):	
108	7027652	1	Cap T350	
108	7027511	1	Cap T500J	
109	See Note	2	Washer, Spindle (1 Per Assembly) (Note: Not available for purchase)	
110		Ref	Stud, Wheel Options:	
		Ref	<b>Note: Please verify the length of your original stud before ordering.</b>	
110	7026390	AR	2in Stud	
110	70003756	Ref	2-58in Stud	
110	70003756	10	2-58in Stud T350 (5 Per Assembly)	
110	70003756	12	2-58in Stud T500J (6 Per Assembly)	
113	7026313	Ref	Lugnut	
113	7026313	10	Lugnut T350 (5 Per Assembly)	
113	7026313	12	Lugnut T500J (6 Per Assembly)	
		Ref	<b>Note: See SPECIAL OPTIONS SECTION for Security Wheel Locks.</b>	
124		Ref	Hub and Drum Options (1 Per Assembly):	

## SECTION 1 - FRAME

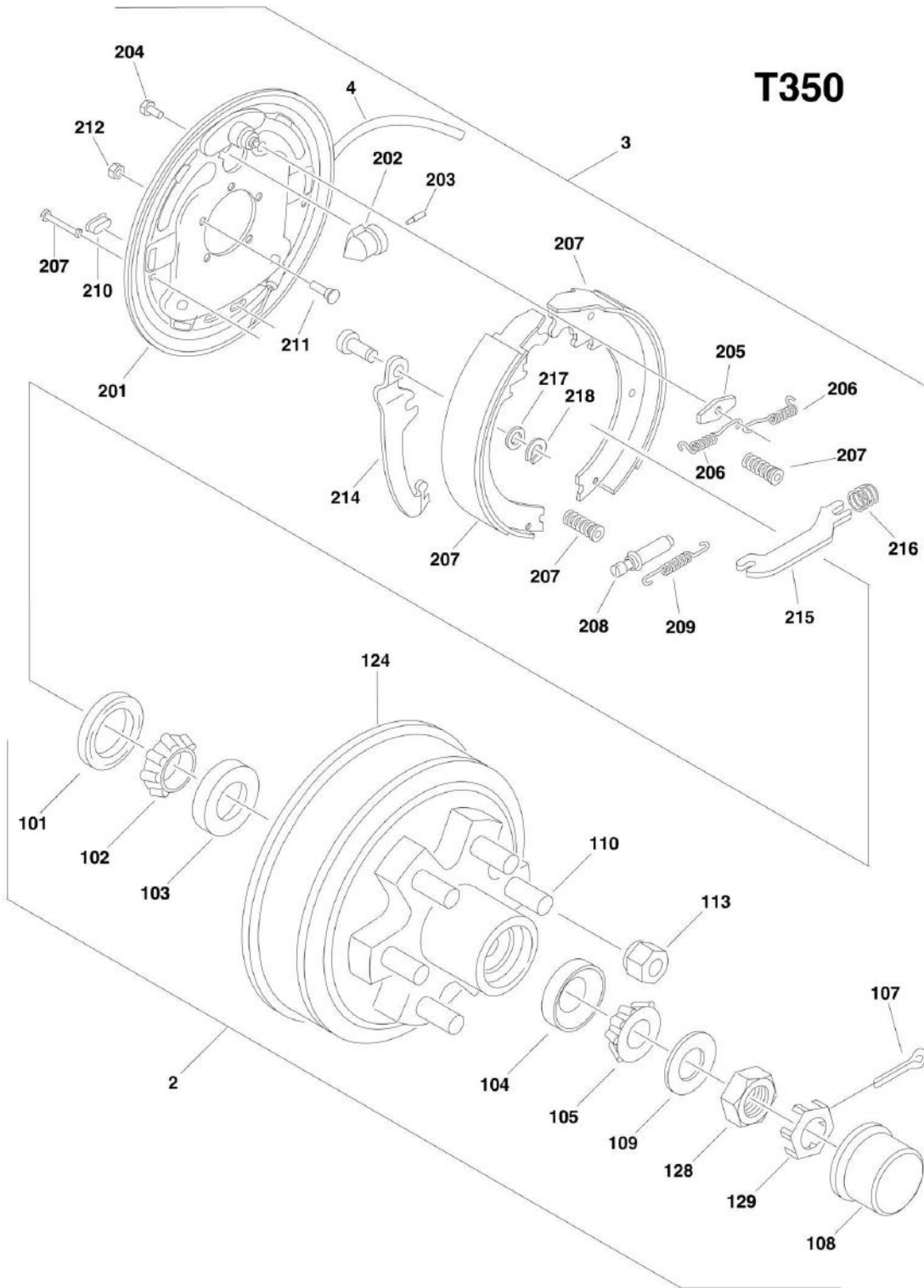
ITEM	PART NUMBER	QTY	DESCRIPTION	REV
124	7027653	1	Hub and Drum T350	
124	7027657	1	Hub and Drum T500J	
128	7027692	2	Nut, Spindle (1 Per Assembly)	
129	7027693	2	Retainer, Nut Spindle (1 Per Assembly)	
		Ref	<b>ELECTRIC BRAKE ASSEMBLIES</b>	
	7027665	1	<b>Electric Brake Assemblies T350 Left Side</b>	
	7027666	1	<b>Electric Brake Assemblies T350 Right Side</b>	
	7027675	1	<b>Electric Brake Assemblies T500J Left Side</b>	
	7027676	1	<b>Electric Brake Assemblies T500J Right Side</b>	
		Ref	<b>Note: Front/Rear and Left/Right are determined by facing the Tow Vehicle.</b>	
202		Ref	Lever, Actuating Options:	
202	7027667	1	Lever, Actuating T350 Left Side	
202	7027668	1	Lever, Actuating T350 Right Side	
202	7026391	1	Lever, Actuating T500J Left Side	
202	7026392	1	Lever, Actuating T500J Right Side	
204	7026393	2	Clip, Wire	
206		Ref	Brake Shoe Assembly Options (Includes 1 Primary & 1 Secondary Brake Shoe with Lining, 2 Pins, 2 Springs & 2 Cups):	
206	7027669	1	Brake Shoe Assembly T350	
206	70132	1	Brake Shoe Assembly T500J	
207	7026395	1	Adjuster Assembly	
208	7026396	1	Spring, Adjuster	
209		Ref	Magnet Assembly (Includes 1 each of Magnet, Spring and Clip)	
209	7027671	1	Magnet Assembly T350	
209	7027677	1	Magnet Assembly T500J	
210	See Note	1	Plug, Adjuster Slot (Note: Not Available - Purchase Locally)	
211	See Note	1	Grommet (Note: Not Available - Purchase Locally)	
212	See Note	4	Bolt, Mounting (Note: Not Available - Purchase Locally)	
213	See Note	4	Nut	
221	See Note	1	Plate, Backing (Note: Not Available - Purchase Complete Assy)	
222		Ref	Actuating Cam and Pin Options:	
222	7027672	1	Left Side	
222	7027673	1	Right Side	
224	See Note	1	Anchor Post and Nut (Note: Not Available - Purchase Complete Assy)	
226	See Note	1	Washer, Anchor (Note: Not Available - Purchase Locally)	
227	See Note	1	Locknut (Note: Not Available - Purchase Locally)	
228	7027678	1	Lever, Parking Brake	
229		Ref	Spring, Retractor Options:	
229	7027674	2	Spring, Retractor T350	
229	7027679	2	Spring, Retractor T500J	



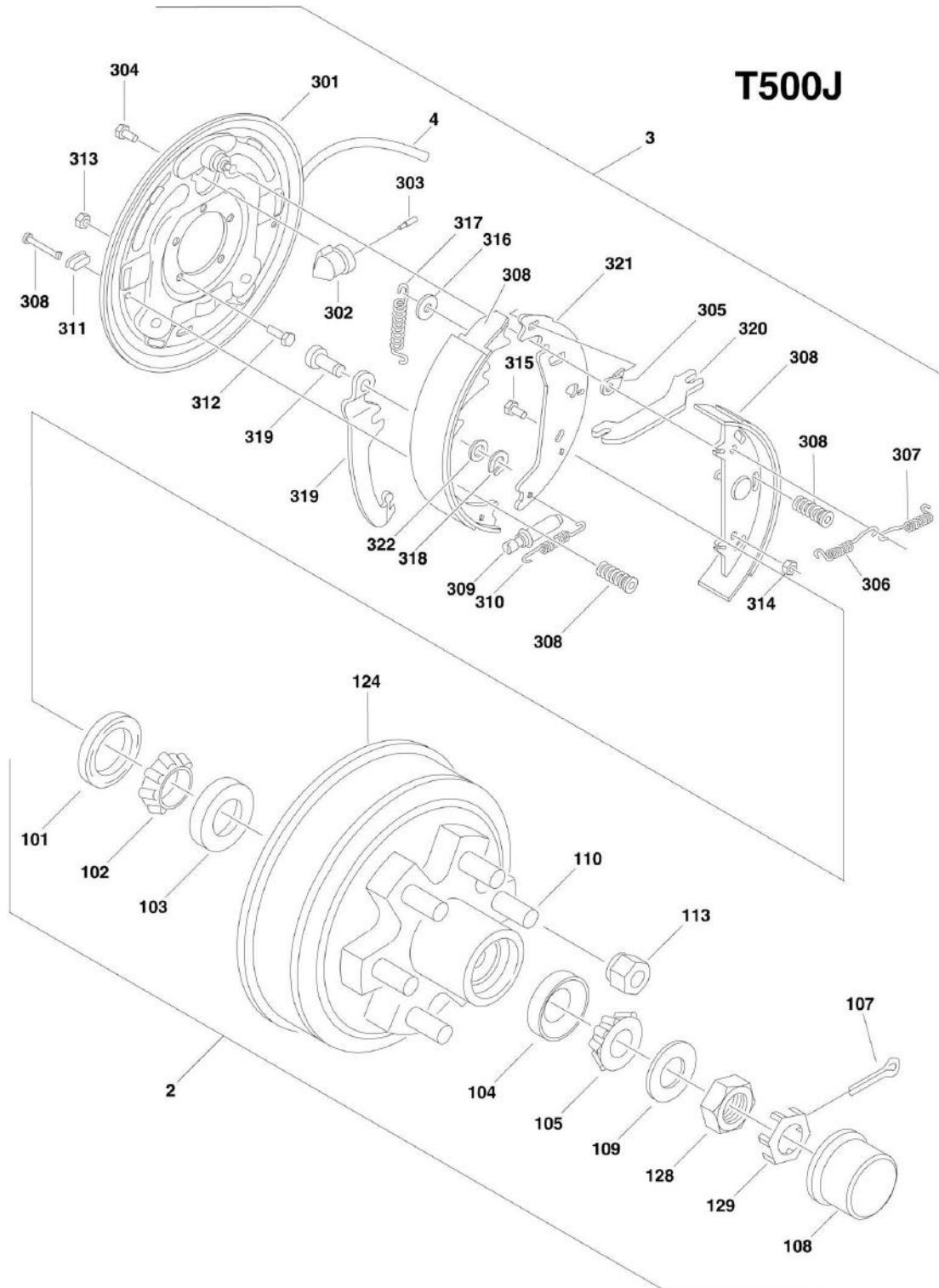


# SECTION 1 - FRAME

FIGURE 1-15. HYDRAULIC BRAKE ASSEMBLY (ANSI AND ANSI EXPORT SPEC MACHINES)



# SECTION 1 - FRAME



# SECTION 1 - FRAME

## FIGURE 1-15. HYDRAULIC BRAKE ASSEMBLY (ANSI AND ANSI EXPORT SPEC MACHINES)

ITEM	PART NUMBER	QTY	DESCRIPTION	REV
		Ref	<b>HYDRAULIC BRAKE ASSEMBLY</b>	
	0280154	Ref	<b>Hydraulic Brake Assembly (T350 Except SN 0030000121 through 0030000140; Excluding 0030000142, 0030000143 and 0030000153)</b>	C
	9984240	Ref	<b>Hydraulic Brake Assembly (T350 SN 0030000121 through 0030000140; Including 0030000142, 0030000143 and 0030000153)</b>	A
	0280155	Ref	<b>Hydraulic Brake Assembly T500J</b>	C
		Ref	<b>Note: Front/Rear and Left/Right are determined by facing the Tow Vehicle.</b>	
1	See Note	1	Axle (Not Shown) (Note: Not Available - Purchase Complete Assembly)	
2	See Note	2	Drum Assembly (Includes Item 101-129) (Note: Not Available - Purchase individual parts)	
3		Ref	Hydraulic Brake Assembly	
3	7027640	1	Hydraulic Brake Assembly T350 Left Side (Includes Item 201-218)	
3	7027641	1	Hydraulic Brake Assembly T350 Right Side (Includes Item 201-218)	
3	70001005	1	Hydraulic Brake Assembly T500J Left Side (Includes Item 301-322)	
3	70001006	1	Hydraulic Brake Assembly T500J Right Side (Includes Item 301-322)	
4		Ref	Cable, Parking Brake Options:	
4	70000015	2	Cable, Parking T350	
4	70000016	2	Cable, Parking T500	
		Ref	<b>DRUM ASSEMBLY</b>	
101		Ref	Seal Options (1 Per Assembly):	
101	7027647	1	Seal T350	
101	7027654	1	Seal T500J	
102		Ref	Cone, Inner Options (1 Per Assembly):	
102	7027648	1	Cone, Inner T350	
102	7026384	1	Cone, Inner T500J	
103		Ref	Cup, Inner Options (1 Per Assembly):	
103	7027649	1	Cup, Inner T350	
103	7026385	1	Cup, Inner T500J	
104		Ref	Cup, Outer Options (1 Per Assembly):	
104	7027650	1	Cup, Outer T350	
104	7027655	1	Cup, Outer T500J	
105		Ref	Cone, Outer Options (1 Per Assembly):	
105	7027651	1	Cone, Outer T350	
105	7027656	1	Cone, Outer T500J	
107	80317	2	Pin, Cotter (1 Per Assembly)	
108		Ref	Cap Options (1Per Assembly):	
108	7027652	1	Cap T350	
108	7027511	1	Cap T500J	
109	70000131	1	Washer, Spindle (1 Per Assembly)	
110		Ref	Stud, Wheel Options:	
		Ref	<b>Note: Please verify the length of your original stud before ordering.</b>	
110	7026390	AR	2in Stud	
110	70003756	AR	2-58in Stud	

## SECTION 1 - FRAME

ITEM	PART NUMBER	QTY	DESCRIPTION	REV
110		Ref	Stud, Wheel T350 (5 Per Assembly)	
110		Ref	Stud, Wheel T500J (6 Per Assembly)	
113	7026313	Ref	Lugnut	
113	7026313	10	Lugnut T350 (5 Per Assembly)	
113	7026313	12	Lugnut T500J (6 Per Assembly)	
		Ref	<b>Note: See DECAL SECTION for Security Wheel Locks.</b>	
124		Ref	Hub and Drum Options (1 Per Assembly):	
124	7027653	1	Hub and Drum T350	
124	7027657	1	Hub and Drum T500J	
128	7027692	2	Nut, Spindle (1 Per Assembly)	
129	7027693	2	Retainer, Nut Spindle (1 Per Assembly)	
		Ref	<b>HYDRAULIC BRAKE ASSEMBLIES</b>	
	7027640	1	<b>Hydraulic Brake Assemblies T350 Left Side</b>	
	7027641	1	<b>Hydraulic Brake Assemblies T350 Right Side</b>	
		Ref	<b>Note: Front/Rear and Left/Right are determined by facing the Tow Vehicle.</b>	
201	See Note	1	Plate, Backing (Note: Not Available - Purchase Complete Assy)	
202		Ref	Cylinder, Uni-Servo Wheel Options:	
202	70145	1	Left Side	
202	70144	1	Right Side	
203	7026399	1	Pin, Push	
204	See Note	1	Screw and Washer (Note: Not Available - Purchase Locally)	
205	See Note	1	Washer, Anchor (Note: Not Available - Purchase Locally)	
206	7026394	2	Spring, Retractor	
207	7027642	1	Brake Shoe Assembly (Includes 1 Primary & 1 Secondary Brake Shoe with Lining, 2 Pins, 2 Springs & 2 Cups)	
208	7026395	1	Adjuster Assembly	
209	7026396	1	Spring, Adjuster	
210	See Note	1	Plug, Adjuster Slot (Note: Not Available - Purchase Locally)	
211	See Note	4	Bolt, Mounting (Note: Not Available - Purchase Locally)	
212	See Note	4	Nut (Note: Not Available - Purchase Locally)	
214		Ref	Lever, Parking Brake Actuating Options:	
214	7027643	1	Left Side	
214	7027644	1	Right Side	
215	7027645	1	Strut	
216	7027646	1	Spring, Strut	
217	70001658	1	Washer	
218	70001659	1	Retainer	
	70001005	1	<b>Hydraulic Brake Assemblies T500J Left Side</b>	
	70001006	1	<b>Hydraulic Brake Assemblies T500J Right Side</b>	
		Ref	<b>Note: Front/Rear and Left/Right are determined by facing the Tow Vehicle.</b>	
301	See Note	1	Plate, Backing (Note: Not Available - Purchase Complete Assy)	
302		Ref	Cylinder, Uni-Servo Wheel Options:	
302	70145	1	Left Side	
302	70144	1	Right Side	
303	7026399	1	Pin, Push	
304	See Note	1	Screw and Washer (Note: Not Available - Purchase Locally)	
305	7027500	1	Link, Travel	
306	7027501	1	Spring, Retractor	
307	7027502	1	Spring, Lever Return	
308		Ref	Brake Shoe Assembly Options (Includes 1 Primary & 1	

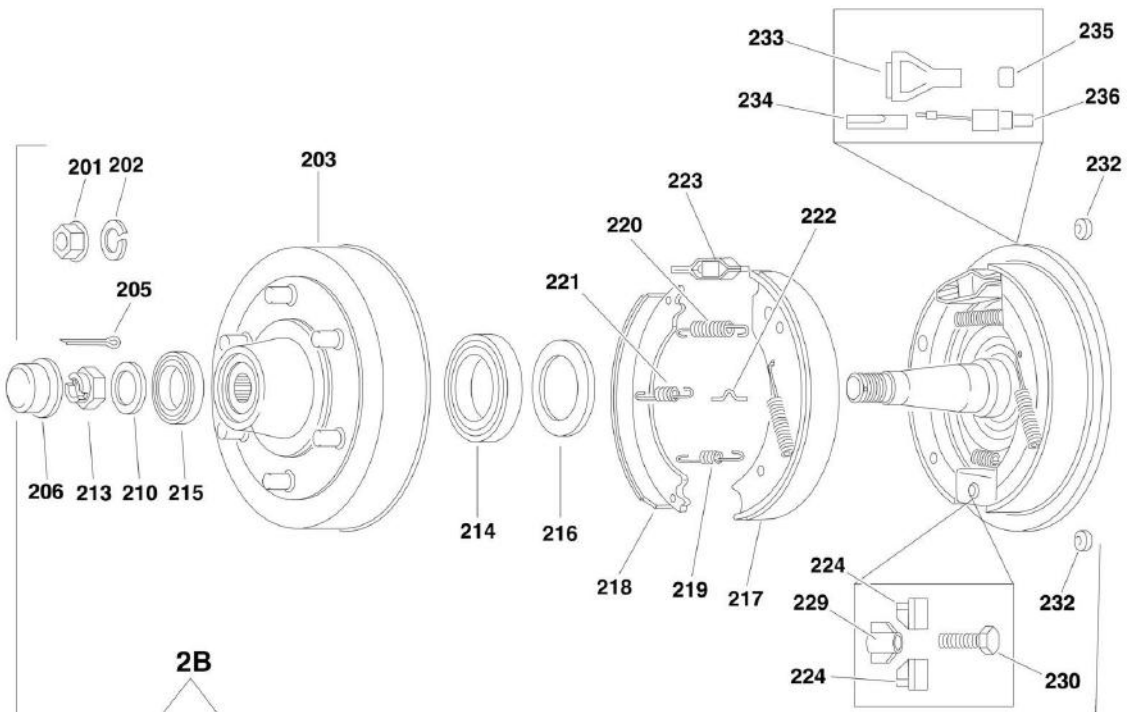
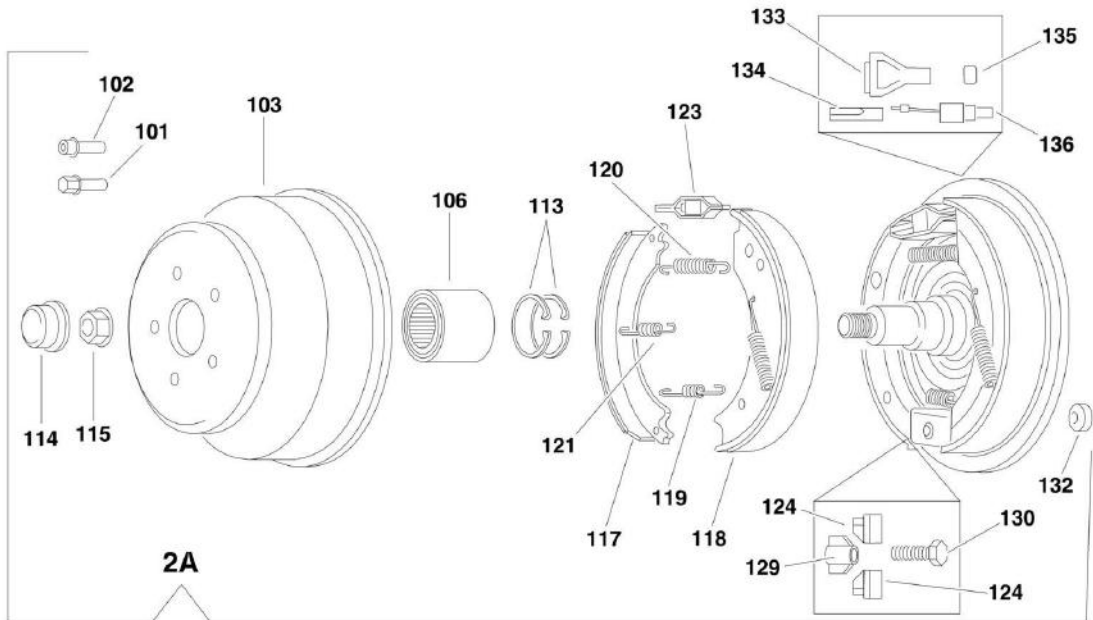
## SECTION 1 - FRAME

ITEM	PART NUMBER	QTY	DESCRIPTION	REV
			Secondary Brake Shoe with Lining, 2 Pins, 2 Springs & 2 Cups):	
308	7027503	1	Left Side	
308	7027504	1	Right Side	
309	7027505	1	Adjuster Assembly	
310	7027506	1	Spring, Adjuster	
311	See Note	1	Plug, Adjuster Slot (Note: Not Available - Purchase Locally)	
312	See Note	4	Bolt, Mounting (Note: Not Available - Purchase Locally)	
313	See Note	4	Nut (Note: Not Available - Purchase Locally)	
314	See Note	1	Locknut (Note: Not Available - Purchase Locally)	
315	See Note	1	Bolt (Note: Not Available - Purchase Locally)	
316	See Note	1	Washer (Note: Not Available - Purchase Locally)	
317	7027508	1	Spring, Primary Shoe Return	
318	70001659	1	Retainer	
319		Ref	Lever, Parking Brake Actuating Options:	
319	7027662	1	Left Side	
319	7027663	1	Right Side	
320	70001007	1	Strut	
321	7027507	1	Lever, Shoe	
322	70001658	1	Washer	



# SECTION 1 - FRAME

## FIGURE 1-16. MECHANICAL BRAKE ASSEMBLY (CE SPEC MACHINES)





## SECTION 1 - FRAME

**FIGURE 1-16. MECHANICAL BRAKE ASSEMBLY (CE SPEC MACHINES)**

ITEM	PART NUMBER	QTY	DESCRIPTION	REV
		Ref	<b>AXLE ASSEMBLY</b>	
	0280186	Ref	<b>Axle Assembly T350</b>	D
	0280187	Ref	<b>Axle Assembly T500J</b>	C
		Ref	<b>Note: Front/Rear and Left/Right are determined by facing the Tow Vehicle.</b>	
1	See Note	1	Axle (Not Shown) (Note: Not Available - Purchase Complete Assembly)	
2		Ref	Mechanical Brake Assembly Options:	
2A	7027885	1	Mechanical Brake Assembly T350 Right Side (Includes Item 101-136)	
2A	0277886	1	Mechanical Brake Assembly T350 Left Side (Includes Item 101-136)	
2B	7027883	1	Mechanical Brake Assembly T500J Right Side (Includes Item 201-236)	
2B	7027884	1	Mechanical Brake Assembly T500J Left Side (Includes Item 201-236)	
		Ref	<b>MECHANICAL BRAKE ASSEMBLY (T350)</b>	
	7027885	1	<b>Mechanical Brake Assembly T350 Right Side</b>	
	7027886	1	<b>Mechanical Brake Assembly T350 Left Side</b>	
		Ref	<b>Note: Front/Rear and Left/Right are determined by facing the Tow Vehicle.</b>	
101	7027801	5	Screw, Spherical Flanged	
102	7027802	5	Screw, Conical Flanged	
103	7027821	1	Hub/Drum Assembly	
106	7027805	1	Bearing	
113	7027806	2	Circle Clip	
114	7027803	1	Cap, Dust	
115	70005478	1	Nut, Flanged	
117	7027807	1	Shoe, Brake (Smaller of the 2 Shoes)	
118	7027808	1	Shoe, Brake (Larger of the 2 Shoes)	
119	7027809	1	Spring, Tension (Top)	
120	7027810	1	Spring, Tension (Bottom)	
121	7027811	1	Spring, Compression (Center)	
123	7027812	1	Spreader, Compression Spring	
124	7027813	2	Key, Adjusting	
129	7027814	1	Bolt, Adjusting	
130	7027815	1	Bolt	
132	7027816	2	Plug, Adjustment Hole	
133	7027817	1	Shield, Protective	
134	7027818	1	Drawbar Eye	
135	7027819	1	Sleeve, Protective	
136	7027820	1	Cable, Brake	
		Ref	<b>MECHANICAL BRAKE ASSEMBLY (T350)</b>	
	7027883	1	<b>Mechanical Brake Assembly T500J Right Side</b>	
	7027884	1	<b>Mechanical Brake Assembly T500J Left Side</b>	
		Ref	<b>Note: Front/Rear and Left/Right are determined by facing the Tow Vehicle.</b>	
201	7027822	6	Nut, Flanged	
202	7027823	6	Lockwasher	
203	7027826	1	Hub/Drum Assembly	
205	7027824	1	Pin, Cotter	

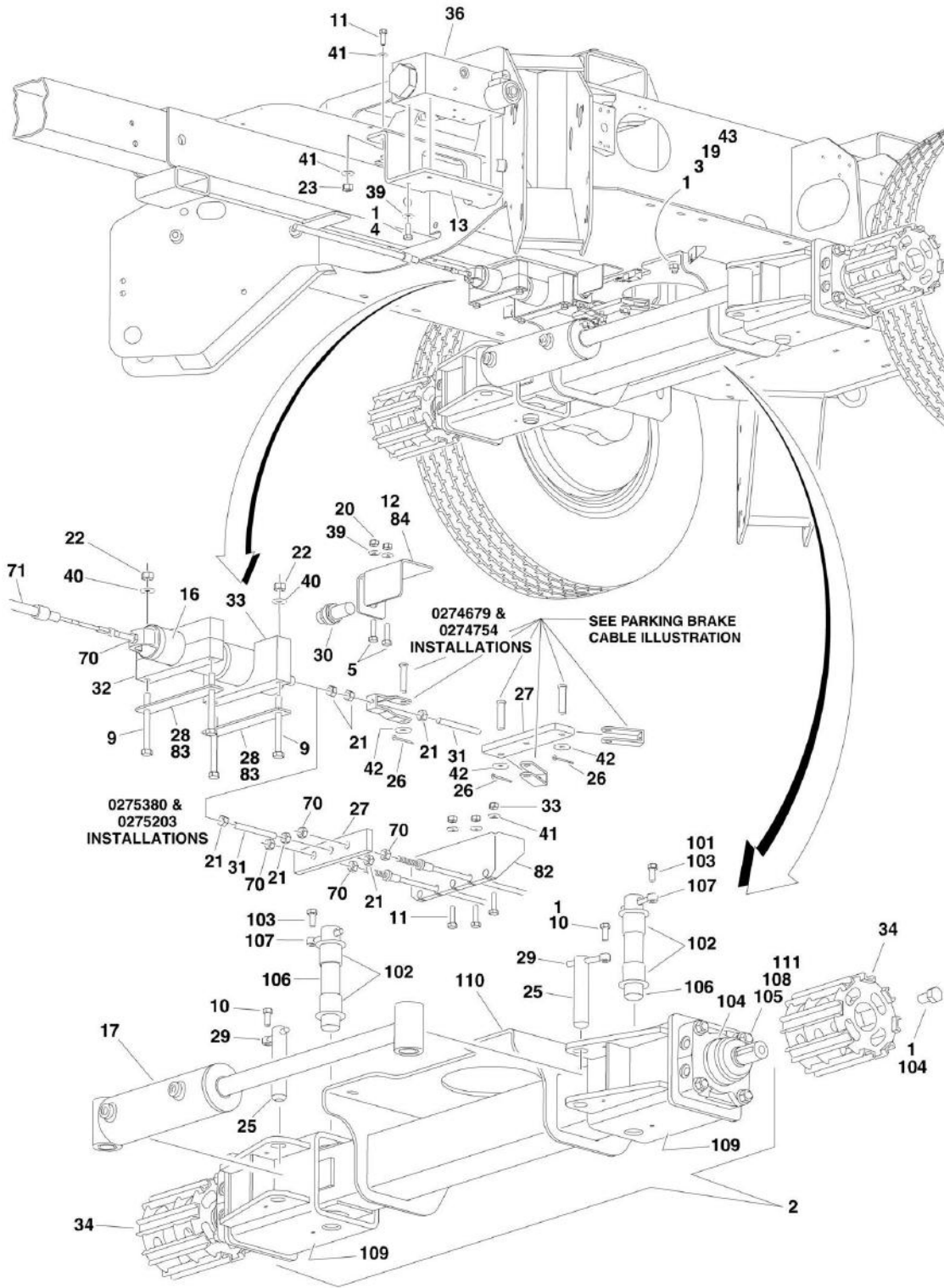
## SECTION 1 - FRAME

ITEM	PART NUMBER	QTY	DESCRIPTION	REV
206	7027825	1	Cap, Dust	
210	7027827	1	Washer	
213	7027828	1	Nut, Castle	
214	7027829	1	Bearing (Inner)	
215	7027830	1	Bearing (Outer)	
216	7027831	1	Washer	
217	70003038	1	Shoe, Brake (Larger of the 2 Shoes) (was p/n 7027832)	
218	70003038	1	Shoe, Brake (Smaller of the 2 Shoes) (was p/n 7027833)	
219	7027834	1	Spring, Tension (Bottom)	
220	7027835	1	Spring, Tension (Top)	
221	7027836	1	Spring, Compression (Center)	
222	7027837	1	Clip, Spring	
223	7027838	1	Spreader, Compression Spring	
224	7027839	2	Key, Adjusting	
229	7027840	1	Bolt, Adjusting	
230	7027841	1	Bolt	
232	7027842	2	Plug, Adjustment Hole	
233	7027843	1	Shield, Protective	
234	7027844	1	Drawbar Eye	
235	7027845	1	Sleeve, Protective	
236	7027846	1	Cable, Brake	

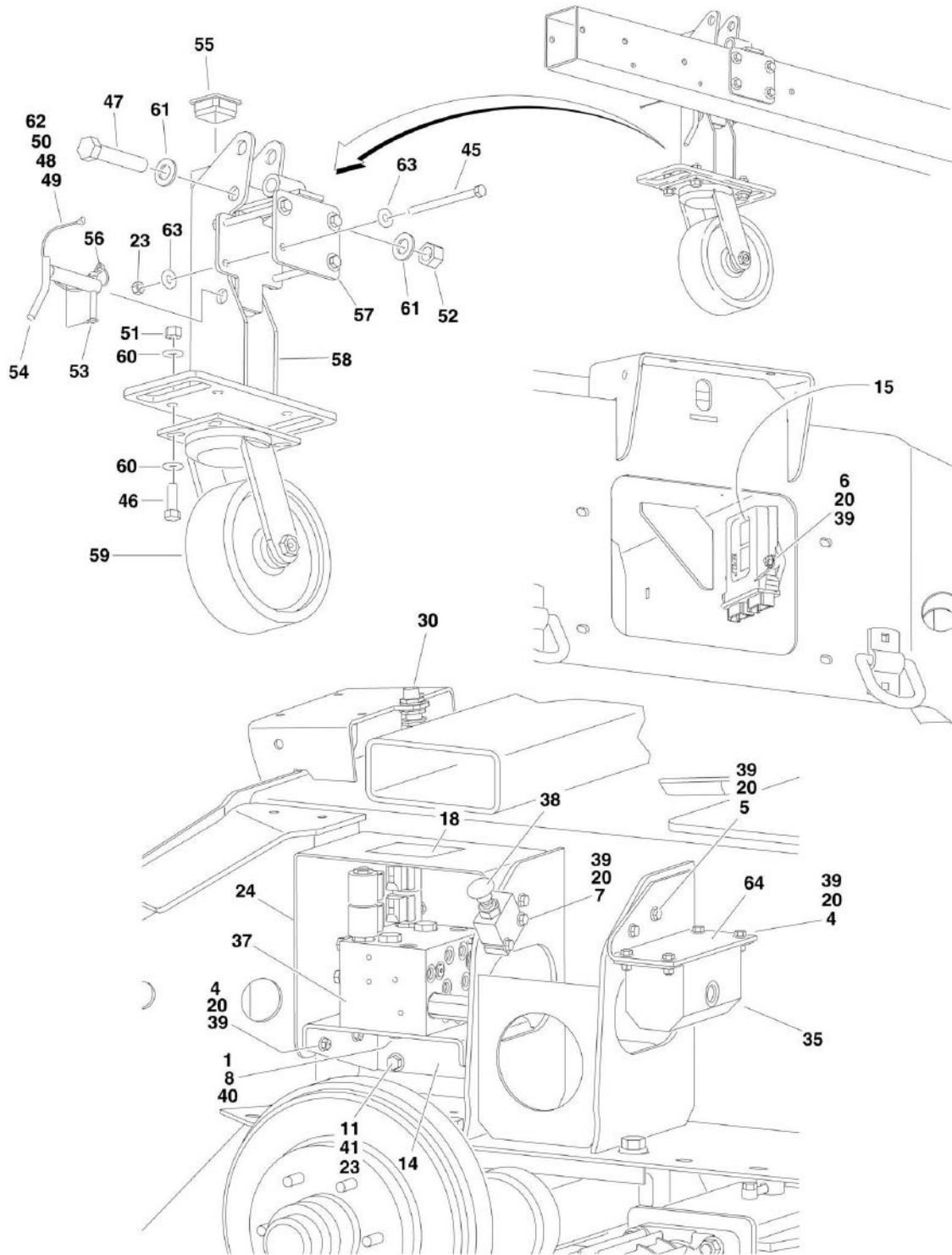


# SECTION 1 - FRAME

## FIGURE 1-17. CHASSIS DRIVE INSTALLATION (OPTIONAL)



# SECTION 1 - FRAME



# SECTION 1 - FRAME

## FIGURE 1-17. CHASSIS DRIVE INSTALLATION (OPTIONAL)

ITEM	PART NUMBER	QTY	DESCRIPTION	REV
		Ref	<b>CHASSIS DRIVE INSTALLATION (OPTIONAL)</b>	
	0274679	Ref	<b>Chassis Drive Installation T350 (ANSI, ANSI Export and Australian Specs)</b>	H
	0274679	Ref	<b>Chassis Drive Installation T350 (South Africa Specs) (Prior to SN 0030007037)</b>	H
	0275380	Ref	<b>Chassis Drive Installation T350 (South Africa Specs) (SN 0030007037 through 0030012032)</b>	G
	0275380	Ref	<b>Chassis Drive Installation T350 (CE Specs)</b>	G
	0274754	Ref	<b>Chassis Drive Installation T500J (ANSI, ANSI Export and Australian Specs)</b>	H
	0274754	Ref	<b>Chassis Drive Installation T500J (South Africa Specs) (Prior to SN 0030007135)</b>	H
	0275203	Ref	<b>Chassis Drive Installation T500J (South Africa Specs) (SN 0030007135 through 0030012032)</b>	E
	0275203	Ref	<b>Chassis Drive Installation T500J (CE Specs)</b>	E
1	0100011	AR	Compound, Locking	
2		Ref	Drive Assembly Options (See Items 101-111 for Breakdown):	
2	0274806	1	Drive Assembly T350 (0274679 Installation)	
2	0275391	1	Drive Assembly T350 (0275380 Installation)	
2	0274803	1	Drive Assembly T500J	
3	0630588	AR	Bolt, Carriage M10 x 25mm <b>(Prior to SN 0030002018)</b>	
3	0630613	AR	Bolt, Carriage M10 x 30mm <b>(SN 0030002018 through 0030012032)</b>	
4	0641406	AR	Bolt 1/4in-20NC x 3/4in	
5		Ref	Bolt 1/4in-20NC Options:	
5	0641408	4	1in Length	
5	0641412	4	1-1/2in Length	
5	0641420	4	2-1/2in Length	
6	0641410	2	Bolt 1/4in-20NC x 1-1/4in	
7	0641418	2	Bolt 1/4in-20NC x 2-1/4in	
8	0641506	3	Bolt 5/16in-18NC x 3/4in	
9		Ref	Bolt 5/16in-18NC Options:	
9	0641526	AR	3-1/4in Length	
9	0641536	AR	4-1/4in Length	
9	0641538	AR	4-3/4in Length	
9	0641540	AR	5in Length	
10	0641607	2	Bolt 3/8in-16NC x 7/8in	
11	0641608	6	Bolt 3/8in-16NC x 1in	
12	0903284	1	Bracket, Switch Mounting	
13	0903298	1	Bracket, Valve Mounting	
14	0903299	1	Bracket, Drive Valve Mounting	
15	1600392	1	Module, Drive Propulsion	
16		Ref	Brake Release Cylinder Assembly (See CYLINDER SECTION for Breakdown)	
16	1684466	NLA	Brake Release Cylinder Assembly (0274679 & 0274754 Installations) (Use p/n 1684507) <b>(Prior to SN 0030001444)</b>	
16	1684507	NLA	Brake Release Cylinder Assembly (0274679 & 0274754 Installations) (Use p/n 1001193948) <b>(SN 0030001444 through 0030007740)</b>	
16	1684507	NLA	Brake Release Cylinder Assembly (0275380 Installation) (Use p/n 1001193948) <b>(Prior to SN 0030007741)</b>	
16	1001193948	1	Brake Release Cylinder Assembly (0274679, 0274754 &	

## SECTION 1 - FRAME

ITEM	PART NUMBER	QTY	DESCRIPTION	REV
16	1684507	1	0275380 Installations) (SN 0030007741 through 0030012032) Brake Release Cylinder Assembly (0275203 Installation) (Prior to SN 0030007344)	
16	1001193948	1	Brake Release Cylinder Assembly (0275203 Installation) (SN 0030007344 through 0030012032)	
17		Ref	Drive Engage Cylinder Assembly Options (See CYLINDER SECTION for Breakdown):	
17	1684467	1	Drive Engage Cylinder Assembly T350	
17	1684468	1	Drive Engage Cylinder Assembly T500J	
18	1706701	1	Decal - Drive Set	
19		Ref	Locknut Options:	
19	3291007	AR	Locknut M10 (Prior to SN 0030002018)	
19	3291001	AR	Locknut M10 x 1.5 (SN 0030002018 through 0030012032)	
20	3311405	AR	Locknut 1/4in-20NC	
21	3311501	3	Nut 5/16in-18NC	
22	3311505	4	Locknut 5/16in-18NC	
23	3311605	10	Locknut 3/8in-16NC	
24	3380624	1	Cover	
25	3422351	2	Pin, Steer	
26	3450304	3	Pin, Cotter 3/32in x 1in (0274679 & 0274754 Installations)	
27		Ref	Plate, Equalizer	
27	3576092	1	All Specs Except CE Specs	
27	3575853	1	CE Specs	
28	3576136	2	Plate, Strap	
29	3841143	2	Keeper, Pin	
30	4000008	2	Sensor, Proximity	
31	4300115	1	Stud	
32	4341097	1	Support, Cylinder Slide	
33	4341116	1	Support, Cylinder Slide	
34	4520338	2	Disc, Friction Drive	
35	4641418	1	Valve Assembly - Flow Divider	
36	4641419	1	Valve Assembly - Drive Enable (See DRIVE ENABLE VALVE ASSEMBLY (USED WITH DRIVE OPTION ONLY) for Breakdown)	
37	4641420	1	Valve Assembly - Drive Directional (See DRIVE DIRECTIONAL VALVE ASSEMBLY (USED WITH DRIVE OPTION ONLY) for Breakdown)	
38	4640866	1	Valve Assembly - Manual Pull	
38	7017466	1	Cartridge	
38	2900708	1	Seal Kit - 7017466 Cartridge	
38	7012959	1	Knob	
39	4711400	AR	Flatwasher 1/4in Thin	
40	4711500	AR	Flatwasher 5/16in Thin	
41	4711600	12	Flatwasher 3/8in Thin	
42	4751500	3	Flatwasher 5/16in Regular (0274679 & 0274754 Installations)	
43		Ref	Flatwasher Options:	
43	4812000	AR	Flatwasher 10mm (Prior to SN 0030002018)	
43	4891700	AR	Flatwasher 7/16in Hardened (SN 0030002018 through 0030012032)	
44	4923340	1	Harness, Drive and Set (Not Shown - See ELECTRICAL SECTION for Breakdown)	
45		Ref	Bolt 3/8in-16NC	
45	0641634	4	Bolt T350 (4-1/2in Length)	

# SECTION 1 - FRAME

ITEM	PART NUMBER	QTY	DESCRIPTION	REV
45	0641640	4	Bolt T500J (5in Length)	
46	0641812	4	Bolt 1/2in-13NC x 1-1/2in	
47	0642230	1	Bolt 3/4in-10NC x 3-3/4in	
48	0721006	1	Screw #10-24NC x 3/4in	
49	1060584	1	Cable, Lanyard	
50	3311005	1	Locknut #10-24NC	
51	3311805	4	Locknut 1/2in-13NC	
52	3312205	1	Locknut 3/4in-10NC	
53	3421565	1	Snap-Pin	
54	3423249	1	Pin, Drive Motor Pivot	
55	3520071	1	Cap-Plug	
56	3760170	1	Ring, Split	
57		Ref	Mount, Wheel Drive Pivot Options:	
57	4341148	1	Mount, Wheel Drive Pivot T350	
57	4341150	1	Mount, Wheel Drive Pivot T500J	
58		Ref	Mount, Wheel Drive Options:	
58	4341149	1	Mount, Wheel Drive T350	
58	4341151	1	Mount, Wheel Drive T500J	
59	4520591	1	Wheel, Drive	
60	4711800	8	Flatwasher 1/2in Thin	
61	4712200	2	Flatwasher 3/4in Thin	
62	4751000	2	Flatwasher #10 Regular	
63	4751600	8	Flatwasher 3/8in Regular	
64	0903356	1	Bracket, Mounting	
70	3291001	7	Nut M10 (CE Specs Only)	
71		Ref	Brake Rod/Cable Options:	
71	See Note	1	Brake Rod/Cable T350 & T500J (0274679 & 0274754 Installations) (Note: See Axle and Tongue Installation)	
71	3841740	1	Brake Rod/Cable T350 (0275380 Installation)	
71	3841730	1	Brake Rod/Cable T500J (0275203 Installation)	
82	09033311	1	Bracket, Cable T500J (0275203 Installation)	
83		Ref	Spacer, Brake Cylinder Pad Options:	
83	Not Required	0	Spacer, Brake Cylinder Pad T350 & T500J (0274679 & 0274754 Installations)	
83	4220304	2	Spacer, Brake Cylinder Pad T350 (0275380 Installation)	
83	4220296	2	Spacer, Brake Cylinder Pad T500J (0275203 Installation)	
84		Ref	Spacer, Switch Mounting Options:	
84	Not Required	0	Spacer, Switch Mounting T350 & T500J (0274679 & 0274754 Installations)	
84	4220305	1	Spacer, Switch Mounting T350 (0275380 Installation)	
84	4220297	1	Spacer, Switch Mounting T500J (0275203 Installation)	
85	4240127	AR	Tie-Strap (Not Shown)	
86	4060804	AR	Flex-Trim (Not Shown - Located on Frame)	
		Ref	<b>DRIVE ASSEMBLY</b>	
	0274806	Ref	<b>Drive Assembly T350 (ANSI, ANSI Export and Australian Specs)</b>	D
	0274806	Ref	<b>Drive Assembly T350 (South Africa Specs) (Prior to SN 0030007037)</b>	D
	0275391	Ref	<b>Drive Assembly T350 (South Africa Specs) (SN 0030007037 through 0030012032)</b>	C
	0275391	Ref	<b>Drive Assembly T350 (CE Specs)</b>	C
	0274803	Ref	<b>Drive Assembly T500J</b>	D
101	0100011	AR	Compound, Locking	

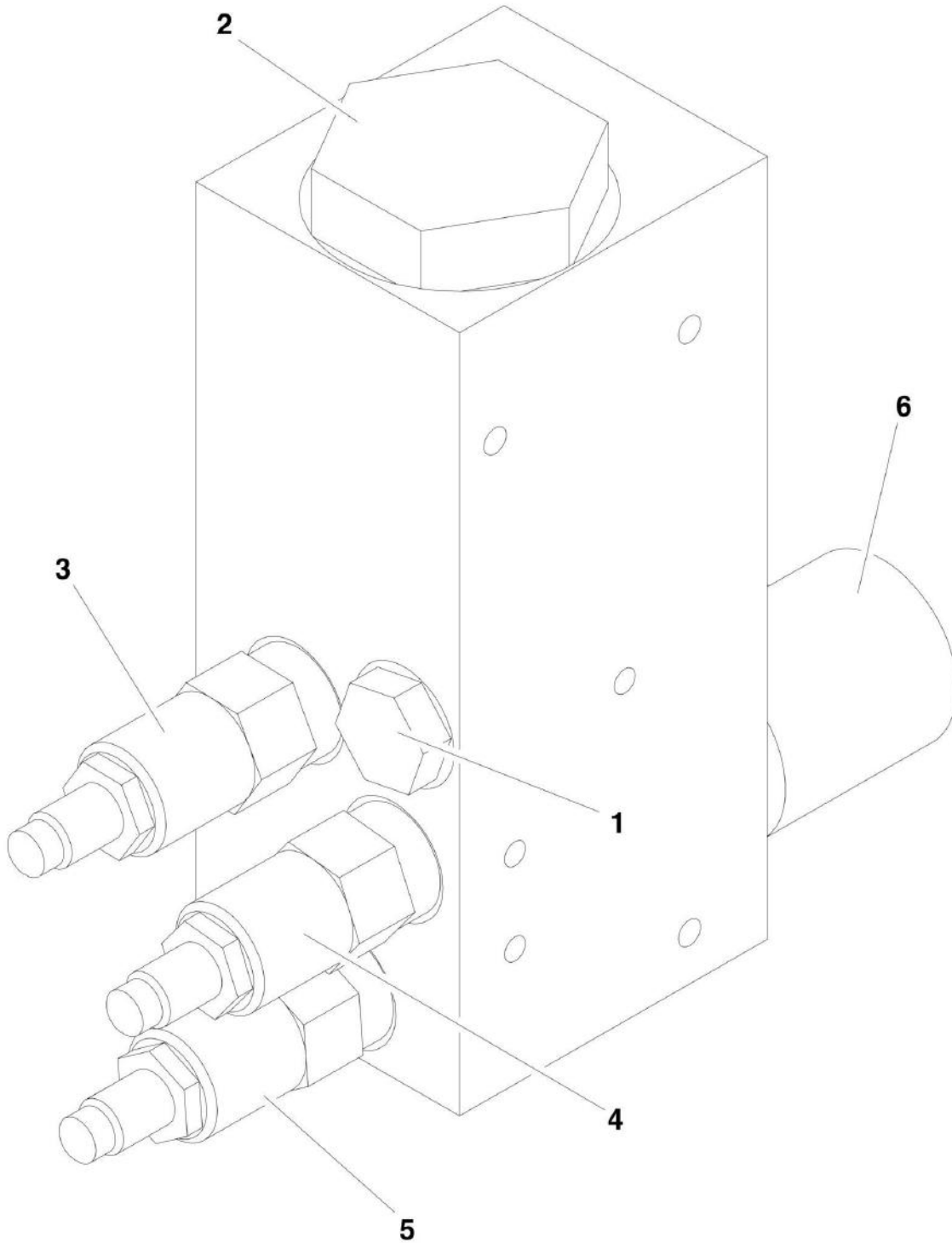


## SECTION 1 - FRAME

ITEM	PART NUMBER	QTY	DESCRIPTION	REV
102	0440321	4	Bearing, Flanged	
103	0641607	2	Bolt 3/8in-16NC x 7/8in	
104		Ref	Drive Motor Assembly Options (See DRIVE MOTOR ASSEMBLY (USED WITH DRIVE OPTION ONLY) for Breakdown):	
104	3160319	2	Drive Motor Assembly ( <b>Prior to SN 0030001055</b> )	
104	3160327	2	Drive Motor Assembly ( <b>SN 0030001055 through 0030012032</b> )	
105	3311805	8	Locknut 1/2in-13NC	
106	3422709	2	Pin, Slider	
107	3841143	2	Keeper, Pin	
108	3931840	8	Capscrew 1/2in-13NC x 2-1/2in	
109	4130417	2	Spindle, Drive/Set	
110		Ref	Mount, Motor	
110	4341092	1	Drive Motor Assembly T350 (0274806 Drive Assembly)	
110	4341267	1	Drive Motor Assembly T350 (0275391 Drive Assembly)	
110	4341113	1	Drive Motor Assembly T500J (0274803 Drive Assembly)	
111	4711800	8	Flatwasher 1/2in Thin	

## SECTION 1 - FRAME

FIGURE 1-18. DRIVE ENABLE VALVE ASSEMBLY (USED WITH DRIVE OPTION ONLY)



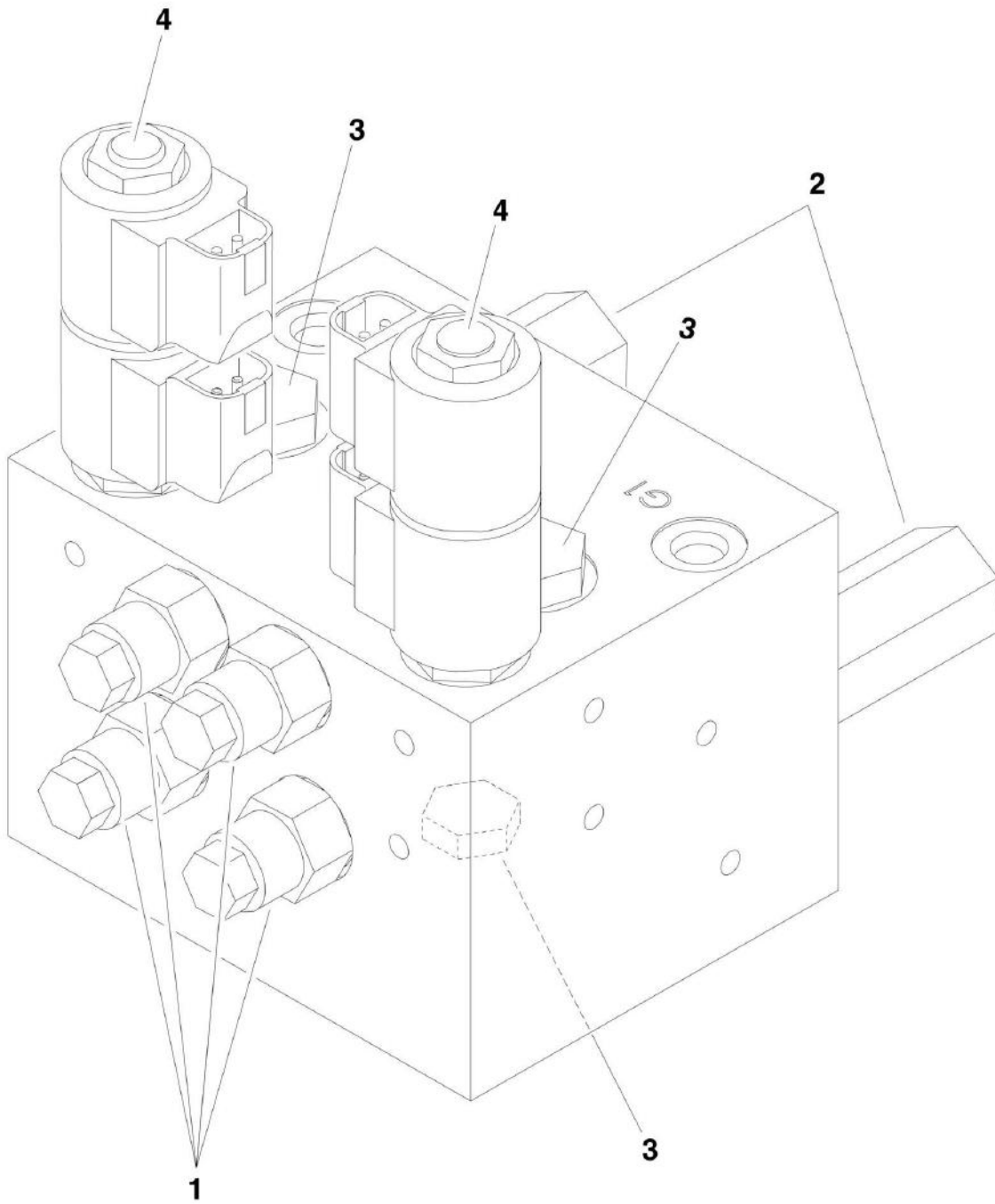
## SECTION 1 - FRAME

**FIGURE 1-18. DRIVE ENABLE VALVE ASSEMBLY (USED WITH DRIVE OPTION ONLY)**

ITEM	PART NUMBER	QTY	DESCRIPTION	REV
	4641419	Ref	<b>DRIVE ENABLE VALVE ASSEMBLY</b>	B
1	4641129	1	Cartridge, Check Valve	
1	7012998	1	Seal Kit - 4641129 Cartridge	
2	2915194	1	Element, Filter (Includes p/n 70000065 O-Ring) (was p/n 7027634)	
2	See Note	1	Adapter (Note: Not Available - Purchase p/n 2915194)	
2	See Note	1	Retainer (Note: Not Available - Purchase p/n 2915194)	
2	See Note	1	Plug (Note: Not Available - Purchase p/n 2915194)	
3	7024893	1	Cartridge, Pressure Relief Valve	
3	7021653	1	Seal Kit - 7024893 Cartridge	
4	7024894	1	Cartridge, Relief Valve	
4	7012998	1	Seal Kit - 7024894 Cartridge	
5	7017418	1	Cartridge, Relief Valve	
5	7012998	1	Seal Kit - 7017418 Cartridge	
6	8036580	1	Cartridge, Solenoid Cartridge	
6	7012903	1	Seal Kit - 8036580 Cartridge	
6	7024883	1	Coil	

# SECTION 1 - FRAME

FIGURE 1-19. DRIVE DIRECTIONAL VALVE ASSEMBLY (USED WITH DRIVE OPTION ONLY)



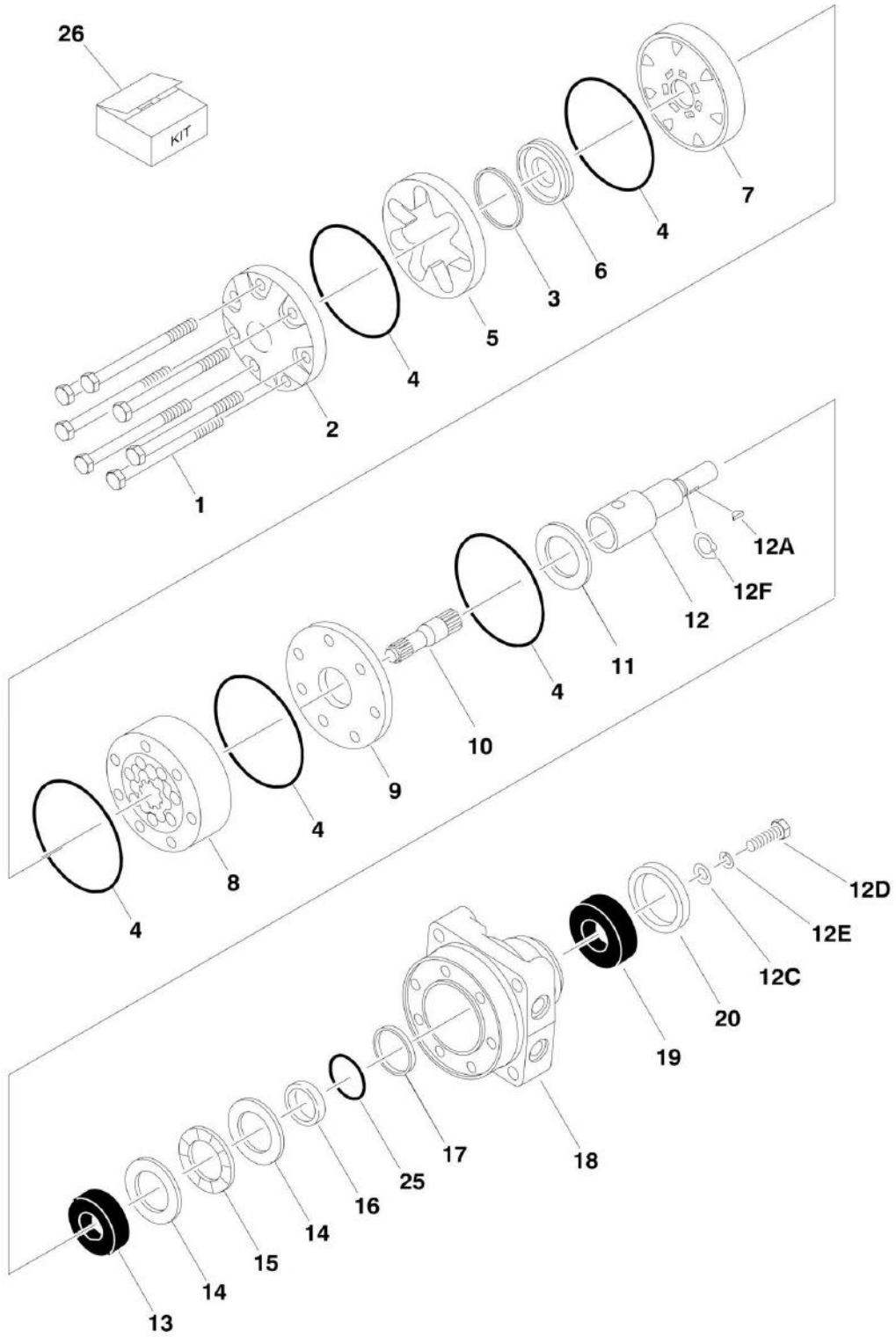
## SECTION 1 - FRAME

**FIGURE 1-19. DRIVE DIRECTIONAL VALVE ASSEMBLY (USED WITH DRIVE OPTION ONLY)**

ITEM	PART NUMBER	QTY	DESCRIPTION	REV
	4641420	Ref	<b>DRIVE DIRECTIONAL VALVE ASSEMBLY</b>	B
1	70002815	4	Cartridge, Counterbalance Valve	
1	Not Required	0	Seal Kit - Cartridge	
2	7024898	2	Cartridge, Valve	
2	7012518	2	Seal Kit - 7024898 Cartridge	
3	7010542	3	Cartridge, Load Sensing Valve	
3	7010543	3	Seal Kit - 7010542 Cartridge	
4	7024899	2	Cartridge, Solenoid Cartridge	
4	7017402	2	Seal Kit - Cartridge	
4	7024885	4	Coil	
5	See Note	2	Orifice (.40) (Not Shown) (Note: Not available for purchase)	

# SECTION 1 - FRAME

FIGURE 1-20. DRIVE MOTOR ASSEMBLY (USED WITH DRIVE OPTION ONLY)



## SECTION 1 - FRAME

**FIGURE 1-20. DRIVE MOTOR ASSEMBLY (USED WITH DRIVE OPTION ONLY)**

ITEM	PART NUMBER	QTY	DESCRIPTION	REV
		Ref	<b>DRIVE MOTOR ASSEMBLY</b>	
	3160319	Ref	<b>Drive Motor Assembly (Prior to SN 0030001055)</b>	
	3160327	Ref	<b>Drive Motor Assembly (SN 0030001055 through 0030012032)</b>	
1		Ref	Bolt Options:	
1	7023329	7	3160319 Motor ( <b>Prior to SN 0030001055</b> )	
1	70000287	7	3160327 Motor ( <b>SN 0030001055 through 0030012032</b> )	
2	7023328	1	Cover	
3	7023412	1	Seal, Commutator	
4	7023412	5	Ring, Seal	
5	7023315	1	Commutator (Includes Item 6)	
6	7023315	1	Ring, Commutator (Includes Item 5)	
7	70000277	1	Manifold	
8		Ref	Rotor Set Options:	
8	70000278	1	3160319 Motor ( <b>Prior to SN 0030001055</b> )	
8	70000288	1	3160327 Motor ( <b>SN 0030001055 through 0030012032</b> )	
9	7023311	1	Plate, Wear	
10		Ref	Link, Drive Options:	
10	70000279	1	3160319 Motor ( <b>Prior to SN 0030001055</b> )	
10	See Note	1	3160327 Motor (Note: Not Available - Purchase Complete Drive Motor p/n 3160327) ( <b>SN 0030001055 through 0030012032</b> )	
11	7023308	1	Bearing, Thrust	
12	70000281	1	Shaft	
12A	70000282	1	Key, Shaft	
12C	70000283	1	Washer, Shaft	
12D	70000284	1	Bolt, Shaft	
12E	70000285	1	Lockwasher, Shaft	
12F	70000286	1	Ring, Shaft Retaining	
13	7023405	1	Bearing, Inner	
14	7023406	2	Thrustwasher	
15	7023407	1	Bearing, Thrust	
16	7023412	1	Seal	
17	7023412	1	Washer, Backup	
18	70000280	1	Housing	
19	7023408	1	Bearing, Outer	
20	7023412		Seal, Dirt and Water	
25	7023412	1	Washer, Backup	
26	7023412	1	Seal Kit (Includes Items 3, 4 16, 17 & 25)	

# SECTION 1 - FRAME

## FIGURE 1-21. CONTROL MODULES AND VALVES INSTALLATION

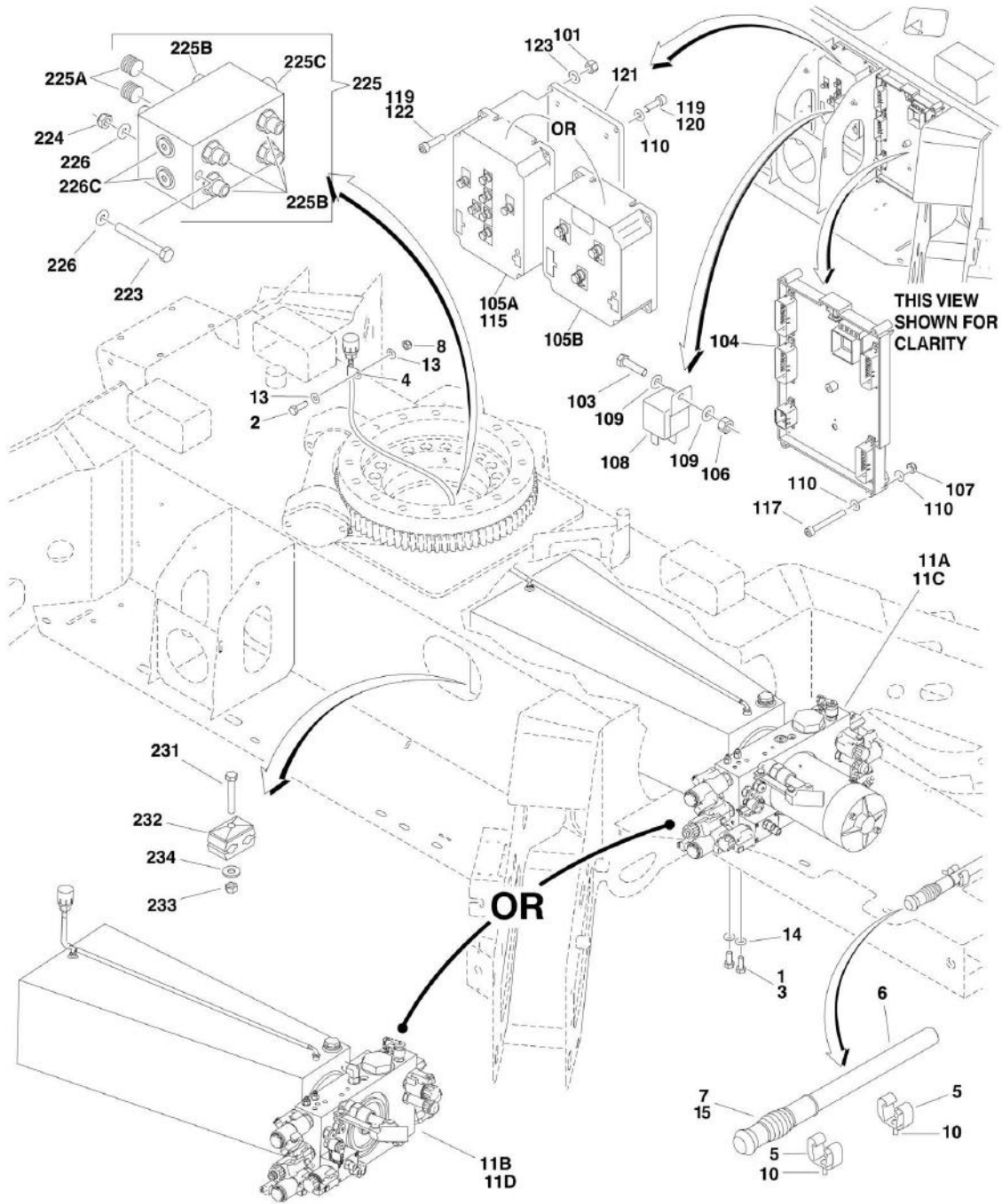




FIGURE 1-21. CONTROL MODULES AND VALVES INSTALLATION

ITEM	PART NUMBER	QTY	DESCRIPTION	REV
		Ref	<b>CONTROL VALVE INSTALLATION</b>	
	0273616	Ref	<b>Control Valve Installation T350 Electric Powered</b>	E
	0273618	Ref	<b>Control Valve Installation T350 Gas Powered</b>	E
	0273617	Ref	<b>Control Valve Installation T500J Electric Powered</b>	E
	0273619	Ref	<b>Control Valve Installation T500J Gas Powered</b>	E
1	0100011	AR	Compound, Locking	
2		Ref	Bolt Options:	
2	0700610	1	Bolt 6mm x 20mm (T350)	
2	0700812	1	Bolt 8mm x 25mm (T500J)	
3	0760810	3	Bolt 8mm x 20mm	
4	1320263	1	Clamp	
5	1380136	2	Clip, Gripper	
6	2560122	1	Handle	
7	2560123	1	Grip, Handle	
8		Ref	Locknut Options:	
8	3290605	1	Locknut 6mm x 20mm (T350)	
8	3290805	1	Locknut 8mm x 25mm (T500J)	
10	3820017	2	Rivet 5/32in	
11		Ref	Control Valve Assembly Options:	
11A	4641342	1	Control Valve Assembly T350 Electric Powered (See CONTROL VALVE ASSEMBLY (ELECTRICAL POWERED MACHINES) for Breakdown)	
11B	4641344	1	Control Valve Assembly T350 Gas Powered (See CONTROL VALVE ASSEMBLY (GAS POWERED MACHINES) for Breakdown)	
11C	4641343	1	Control Valve Assembly T500J Electric Powered (See CONTROL VALVE ASSEMBLY (ELECTRICAL POWERED MACHINES) for Breakdown)	
11D	4641345	1	Control Valve Assembly T500J Gas Powered (See CONTROL VALVE ASSEMBLY (GAS POWERED MACHINES) for Breakdown)	
13		Ref	Flatwasher Options:	
13	4811900	2	Flatwasher 8mm (T350)	
13	4711400	2	Flatwasher 1/4in Thin (T500J)	
14	4811900	3	Flatwasher 8mm	
15	0100081	AR	Loctite #454	
		Ref	<b>CONTROL MODULE INSTALLATIONS</b>	
	0273793	Ref	<b>Electric Machines without Drive Option (Prior to SN 0030001804)</b>	H
	0275776	Ref	<b>Electric Machines without Drive Option (SN 0030001804 through 0030012032)</b>	F
	9984274	Ref	<b>Electric Machines with Drive Option</b>	D
	0273794	Ref	<b>Gas Machines</b>	F
101	3311405	4	Locknut 1/4in-20NC (Prior to SN 0030001397)	
103	0700510	1	Bolt 5mm x 20mm	
104	1600370	1	Module, Ground Control (Note: Control System must be recalibrated when Module is replaced)	
105		Ref	Controller, Sevcon Options:	
105A	1600371	1	Electric Powered Machines without Drive (Prior to SN 0030001804)	
105A	1600412	1	Electric Powered Machines without Drive (SN 0030001804 through 0030012032)	

## SECTION 1 - FRAME

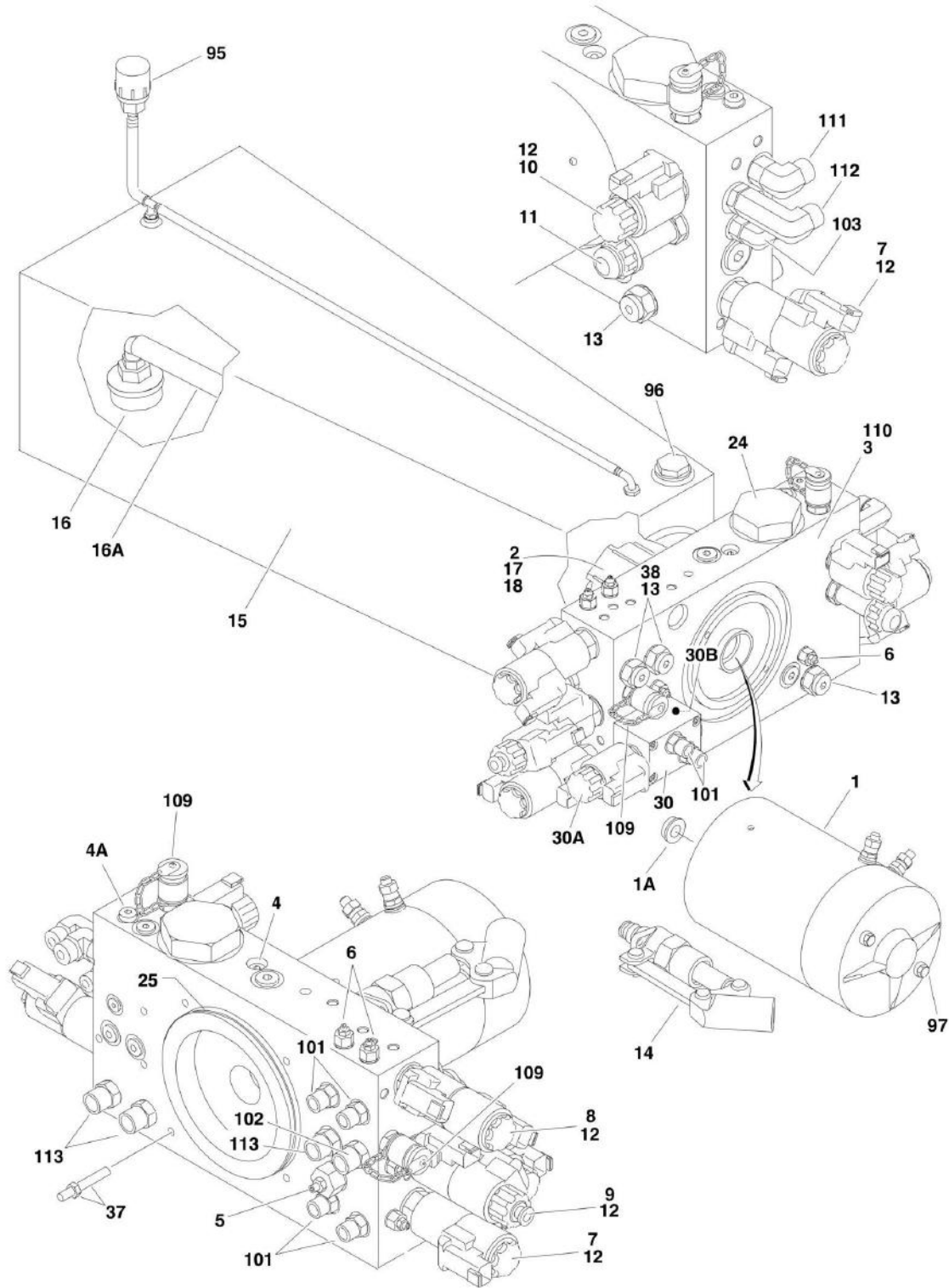
ITEM	PART NUMBER	QTY	DESCRIPTION	REV
105B	1600412	1	Electric Powered Machines with Drive	
105C	Not Required	0	Gas Powered Machines	
106	3290507	1	Locknut 5mm	
107	3290605	5	Locknut 6mm	
108	3740145	1	Relay	
109	4811600	2	Flatwasher 5mm	
110	4811700	10	Flatwasher 6mm	
111		Ref	Harness, Frame (Not Shown - See ELECTRICAL SECTION for Breakdown)	
111	4922975	1	Electric Powered Machines <b>(Prior to SN 0030001804)</b>	
111	4923427	1	Electric Powered Machines <b>(SN 0030001804 through 0030012032)</b>	
111	4923130	1	Gas Powered Machines	
112	4923041	1	Harness, Jack and Valve (Not Shown - See ELECTRICAL SECTION for Breakdown)	
113		Ref	Harness, Frame to Boom Options (Not Shown - See ELECTRICAL SECTION for Breakdown):	
113	4923103	1	Harness, Frame to Boom <b>(Prior to SN 0030001804)</b>	
113	4923427	1	Harness, Frame to Boom <b>(SN 0030001804 through 0030012032)</b>	
114	4923109	1	Harness, Main Valve (Not Shown - See ELECTRICAL SECTION for Breakdown)	
115	0100083	AR	Grease, Heat Transfer <b>(Prior to SN 0030001397)</b>	
117	4031714	5	Capscrew 6mm x 50mm	
118	4460905	5	Plug, Connector (Not Shown)	
119	0100011	AR	Compound, Locking	
120	0760608	4	Capscrew 6mm x 16mm (Electric Machines Only) <b>(Prior to SN 0030001397)</b>	
121	3575884	1	Plate, Mounting (Electric Machines Only) <b>(Prior to SN 0030001397)</b>	
122		Ref	Capscrew Options (Electric Machines Only):	
122	4031708	4	Capscrew 6mm x 20mm <b>(Prior to SN 0030001397)</b>	
122	3931416	4	Capscrew 1/4in-20NC x 1in <b>(SN 0030001397 through 0030001804)</b>	
122	4191709	4	Capscrew 6mm x 25mm <b>(SN 0030001804 through 0030012032)</b>	
123	4711400	4	Flatwasher 1/4in Thin	
		Ref	<b>OUTRIGGER VALVE INSTALLATION</b>	
	0273712	Ref	<b>Outrigger Valve Installation T350 ANSI, ANSI Export and South Africa Specs</b>	G
	0274375	Ref	<b>Outrigger Valve Installation T350 Australian and CE Specs</b>	B
	0273715	Ref	<b>Outrigger Valve Installation T500J ANSI and ANSI Export and South Africa Specs</b>	I
	0274321	Ref	<b>Outrigger Valve Installation T500J Australian and CE Specs</b>	D
223	0700827	2	Bolt 8mm x 100mm	
224	3290805	2	Locknut 8mm	
225	4641380	1	Outrigger Valve Assembly	B
225A	2220885	4	Plug	
225B	2110406	6	Fitting, Straight	
225C	2110606	2	Fitting, Straight	
226	4811900	4	Flatwasher 8mm	
231	0641516	4	Bolt 5/16in-18NC x 2in	
232	1320159	4	Clamp	
233	3311505	4	Locknut 5/16in-18NC	

**SECTION 1 - FRAME**

ITEM	PART NUMBER	QTY	DESCRIPTION	REV
234	4751500	4	Flatwasher 5/16in Regular	
		Ref	<b>FRAME WELDMENT</b>	
	2360718	Ref	<b>Frame Weldment T350</b>	
	2360717	Ref	<b>Frame Weldment T500J All Specs Except CE Specs</b>	
	2360716	Ref	<b>Frame Weldment T500J CE Specs without Drive Option (South Africa Spec) (SN 0030006102 through 0030012032)</b>	
	2360773	Ref	<b>Frame Weldment T500J CE Specs with Drive Option</b>	

# SECTION 1 - FRAME

## FIGURE 1-22. CONTROL VALVE ASSEMBLY (ELECTRIC POWERED MACHINES)



## SECTION 1 - FRAME

**FIGURE 1-22. CONTROL VALVE ASSEMBLY (ELECTRIC POWERED MACHINES)**

ITEM	PART NUMBER	QTY	DESCRIPTION	REV
		Ref	<b>CONTROL VALVE ASSEMBLY</b>	
	4641325	See Note	Ref	D
			<b>Control Valve Assembly T350 Electric Powered Machines</b> <b>Note: When replacing complete unit order p/n 4641342 instead of p/n 4641325.</b>	
	4641326	See Note	Ref	D
			<b>Control Valve Assembly T500J Electric Powered Machines</b> <b>Note: When replacing complete unit order p/n 4641343 instead of p/n 4641326.</b>	
1	7027617	1	Motor Assembly	
1	See Note	1	Brush Kit (Note: Not Available - Purchase Complete Motor Assembly p/n 7027617)	
1A	7027618	1	Coupling	
2	7027619	1	Pump	
2	See Note	1	Seal Kit - Pump (Note: Not Available - Purchase Pump p/n 7027619)	
3	See Note	1	Block, Valve (Note: Not Available - Purchase Complete Valve Assembly)	
4	7027620	1	Cartridge, Relief Valve	
4	See Note	1	Seal Kit (Note: Not Available - Purchase Relief Valve Cartridge p/n 7027620)	
4A	7027621	1	Cartridge, Relief Valve	
4A	See Note	1	Seal Kit (Note: Not Available - Purchase Relief Valve Cartridge p/n 7027621)	
5	7027622	1	Cartridge, Valve	
5	See Note	1	Seal Kit (Note: Not Available - Purchase Cartridge Valve p/n 7027622)	
6	7027623	7	Cartridge, Valve	
6	See Note	7	Seal Kit (Note: Not Available - Purchase Cartridge Valve p/n 7027623)	
7	7027624	2	Cartridge, Solenoid Less Coil (Swing and Leveling Jacks)	
7	70002227	2	Nut, Coil	
7	70000100	2	Seal Kit	
8	7027625	1	Cartridge, Solenoid Less Coil (Level)	
8	70002227	1	Nut, Coil	
8	70000100	1	Seal Kit	
9	7027626	1	Cartridge, Solenoid Less Coil (Tele)	
9	70002228	1	Nut, Coil	
9	70000100	1	Seal Kit	
10	7024500	1	Cartridge, Solenoid Less Coil (Lift Up)	
10	70002230	1	Nut, Coil	
10	7024505	1	Seal Kit	
11	7027627	1	Cartridge (Manual Descent)	
11	70002229	1	Nut, Coil	
11	7024505	1	Seal Kit	
12	7027628	9	Coil	
13	7027629	3	Cartridge, Valve	
13	7024505	3	Seal Kit	
14	7027630	1	Cartridge, Manual Hand Pump Valve (Manual Descent)	
14	See Note	1	Seal Kit (Note: Not Available - Purchase Manual Pump Valve Cartridge p/n 7027630)	
15		Ref	Tank Options:	
15	7027631	1	Tank T350	
15	7027639	1	Tank T500J	

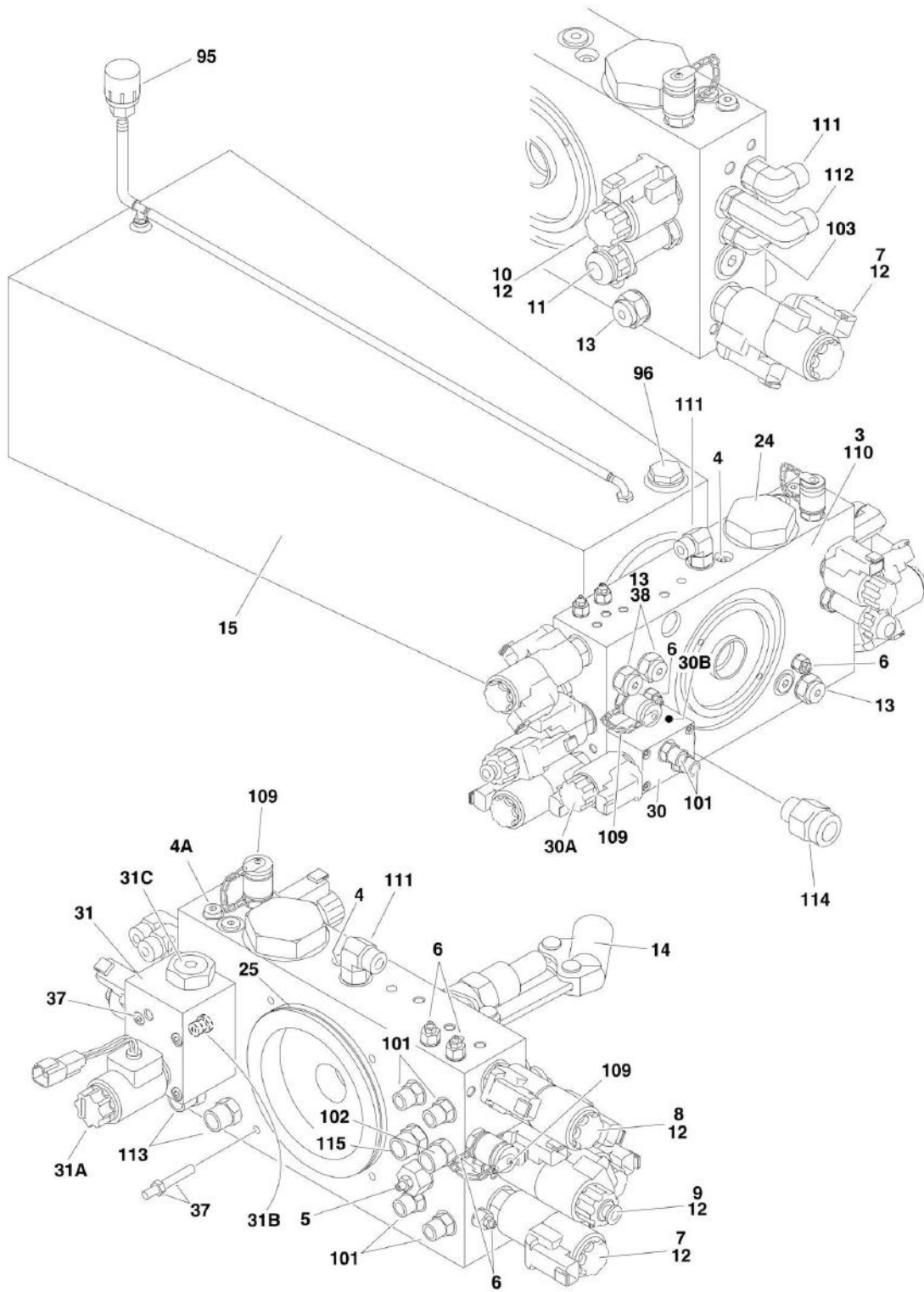
## SECTION 1 - FRAME

ITEM	PART NUMBER	QTY	DESCRIPTION	REV
16	7027632	1	Filter, Hydraulic (Suction)	
16A	7027633	1	Tube, Suction	
17	See Note	2	Capscrew 8mm x 90mm (for Pump) (Note: Not available for purchase)	
18	See Note	1	Ring, Seal (Note: Not available for purchase)	
24	2915194	1	Element, Filter (Includes p/n 70000065 O-Ring) (Was p/n 7027634)	
24	See Note	1	Adapter (Note: Not Available - Purchase Filter Element p/n 2915194)	
24	70002282	1	Fitting, Plug	
24	70003615	1	Retainer, Filter Element Contamination	
25	7027635	1	O-Ring	
30	7027690	1	Valve Block Assembly (Jib) (T500J Only)	
30A	7024500	1	Cartridge, Solenoid Less Coil	
30A	70002230	1	Nut, Coil	
30A	7024505	1	Seal Kit	
30A	7027628	1	Coil	
30B	See Note	1	Cartridge, Valve (Note: Not Available - Purchase Complete Valve Block Assembly p/n 7027690)	
30B	See Note	1	Seal Kit (Note: Not Available - Purchase Complete Valve Block Assembly p/n 7027690)	
37	70000894	4	Nut	
37	70000895	4	Stud	
38	7027636	2	Orifice	
95	7027638	1	Breather	
96	70000378	1	Dipstick	
97	See Note	1	Bolt M6 x 200 (Note: Not available for purchase)	
		Ref	<b>VALVE AND FITTINGS SUBASSEMBLY</b>	
	4641342	Ref	<b>Valve and Fittings Subassembly T350 Electric Powered Machines</b>	E
	4641343	Ref	<b>Valve and Fittings Subassembly T500J Electric Powered Machines</b>	E
101	2110404	Ref	Fitting, Straight	
101	2110404	4	Valve and Fittings Subassembly T350	
101	2110404	6	Valve and Fittings Subassembly T500J	
102	2110604	1	Fitting, Straight	
103	2130404	1	Fitting, Elbow	
109	2221086	3	Fitting, Test Port	
110		Ref	Valve Assembly Less Fittings (Includes Items 1-95)	
110	4641325	1	Valve and Fittings Subassembly T350	
110	4641326	1	Valve and Fittings Subassembly T500J	
111	2130606	1	Fitting, Elbow	
112	2170206	1	Fitting, Long Elbow	
113	2110606	3	Fitting, Straight	



# SECTION 1 - FRAME

FIGURE 1-23. CONTROL VALVE ASSEMBLY (GAS POWERED MACHINES)





## SECTION 1 - FRAME

**FIGURE 1-23. CONTROL VALVE ASSEMBLY (GAS POWERED MACHINES)**

ITEM	PART NUMBER	QTY	DESCRIPTION	REV
		Ref	<b>CONTROL VALVE ASSEMBLY</b>	
	4641327 See Note	Ref	<b>Control Valve Assembly T350 Gas Powered Machines (Note: When replacing complete unit order p/n 1001228194 instead of p/n 4641327)</b>	E
	4641328 See Note	Ref	<b>Control Valve Assembly T500J Gas Powered Machines (Note: When replacing complete unit order p/n 1001228195 instead of p/n 4641328)</b>	E
3	See Note	1	Block, Valve (Note: Not Available - Purchase Complete Valve Assembly)	
4	7027620	1	Cartridge, Relief Valve	
4	See Note	1	Seal Kit (Note: Not Available - Purchase Relief Valve Cartridge p/n 7027620)	
4A	7027621	1	Cartridge, Relief Valve	
4A	See Note	1	Seal Kit (Note: Not Available - Purchase Relief Valve Cartridge p/n 7027621)	
5	7027622	1	Cartridge, Valve	
5	See Note	1	Seal Kit (Note: Not Available - Purchase Cartridge Valve p/n 7027622)	
6	7027623	7	Cartridge, Valve	
6	See Note	7	Seal Kit (Note: Not Available - Purchase Cartridge Valve p/n 7027623)	
7	7027624	2	Cartridge, Solenoid Less Coil (Swing and Leveling Jacks)	
7	70002227	2	Nut, Coil	
7	70000100	2	Seal Kit	
8	7027625	1	Cartridge, Solenoid Less Coil (Level)	
8	70002227	1	Nut, Coil	
8	70000100	1	Seal Kit	
9	7027626	1	Cartridge, Solenoid Less Coil (Tele)	
9	70002228	1	Nut, Coil	
9	70000100	1	Seal Kit	
10	7024500	1	Cartridge, Solenoid Less Coil (Lift Up)	
10	70002230	1	Nut, Coil	
10	7024505	1	Seal Kit	
11	7027627	1	Cartridge (Manual Descent)	
11	70002229	1	Nut, Coil	
11	7024505	1	Seal Kit	
12	7027628	9	Coil	
13	7027629	3	Cartridge, Valve	
13	7024505	3	Seal Kit	
14	7027630	1	Cartridge, Manual Hand Pump Valve (Manual Descent)	
14	See Note	1	Seal Kit (Note: Not Available - Purchase Manual Pump Valve Cartridge p/n 7027630)	
15		Ref	Tank Options:	
15	7027631	1	Tank T350	
15	7027639	1	Tank T500J	
24	2915194	1	Element, Filter (Includes p/n 70000065 O-Ring) (Was p/n 7027634)	
24	See Note	1	Adapter (Note: Not Available - Purchase Filter Element p/n 2915194)	
24	70003615	1	Retainer, Filter Element Contamination	
25	7027635	1	O-Ring	
30	7027690	1	Valve Block Assembly (Jib) (T500J Only)	

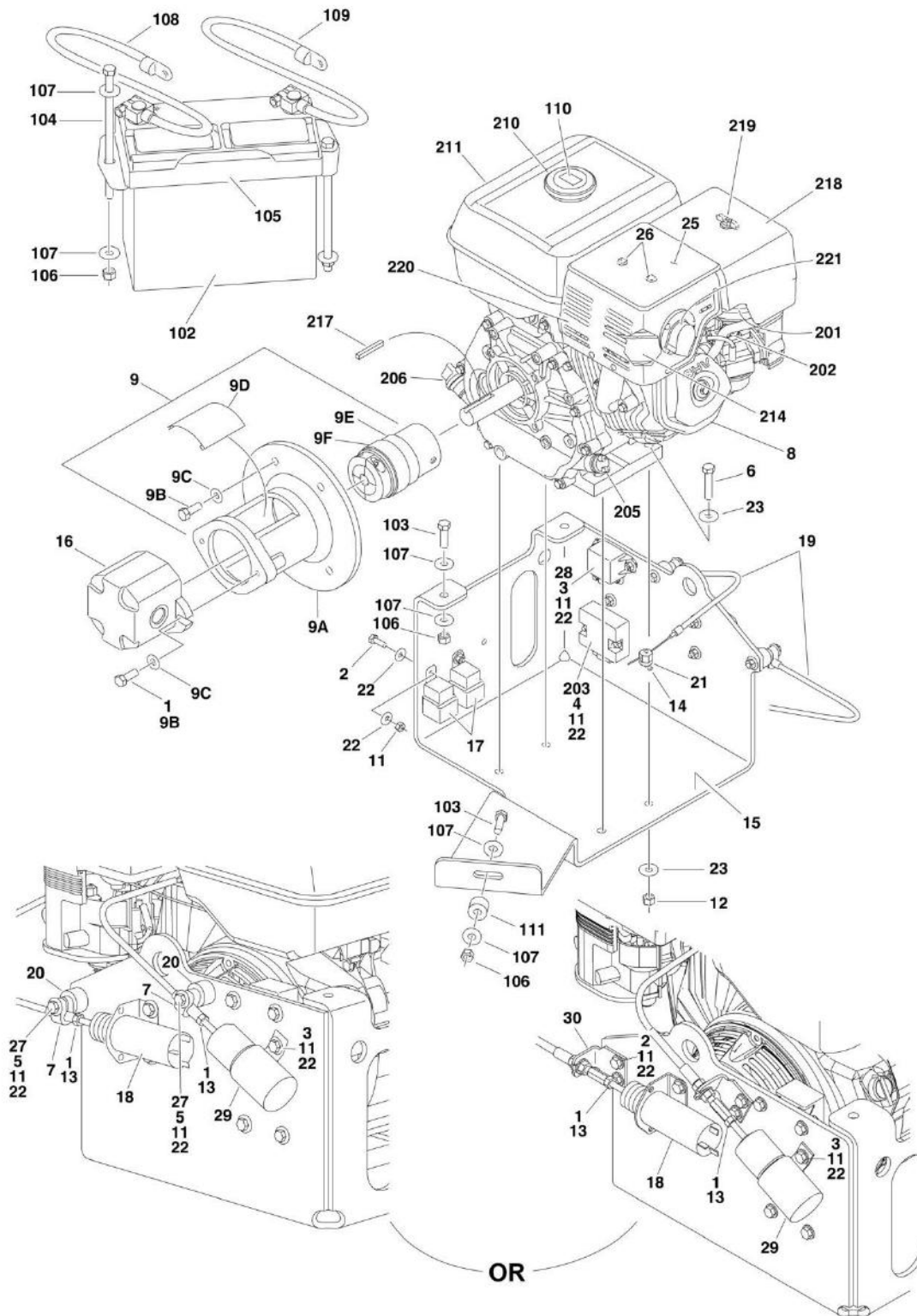
## SECTION 1 - FRAME

ITEM	PART NUMBER	QTY	DESCRIPTION	REV
30A	7024500	1	Cartridge, Solenoid Less Coil	
30A	70002230	1	Nut, Coil	
30A	7024505	1	Seal Kit	
30A	7027628	1	Coil	
30B	See Note	1	Cartridge, Valve (Note: Not Available - Purchase Complete Valve Block Assembly p/n 7027690)	
30B	See Note	1	Seal Kit (Note: Not Available - Purchase Complete Valve Block Assembly p/n 7027690)	
31	7027691	1	Valve Block Assembly (Proportional)	
31A	70000025	1	Cartridge, Solenoid Less Coil	
31A	7026623	1	Seal Kit	
31A	70000026	1	Coil	
31B	70000028	1	Cartridge, Valve (Check)	
31B	See Note	1	Seal Kit (Note: Not Available - Purchase Cartridge Valve p/n 70000028)	
31C	70000027	1	Compensator	
37	70000894	4	Nut	
37	70000895	4	Stud	
38	7027636	2	Orifice	
95	7027638	1	Breather	
96	70000378	1	Dipstick	
		Ref	<b>VALVE AND FITTINGS SUBASSEMBLY</b>	
	4641344	Ref	<b>Valve and Fittings Subassembly T350 Gas Powered Machines</b>	H
	4641345	Ref	<b>Valve and Fittings Subassembly T500J Gas Powered Machines</b>	H
101	2110404	Ref	Fitting, Straight	
101	2110404	4	Fitting, Straight T350	
101	2110404	6	Fitting, Straight T500J	
102	2110604	1	Fitting, Straight	
103	2130404	1	Fitting, Elbow	
109	2221086	3	Fitting, Test Port	
110		Ref	Valve Assembly Less Fittings (Includes Items 1-95)	
110	4641327	NLA	Valve Assembly Less Fittings T350 (Use p/n 1001228194) <b>(Prior to SN 0030009078)</b>	
110	1001228194	Ref	Valve Assembly Less Fittings T350 <b>(SN 0030009078 through 0030012032)</b>	
110	4641328	NLA	Valve Assembly Less Fittings T500J (Use p/n 1001228195) <b>(Prior to SN 0030009078)</b>	
110	1001228195	Ref	Valve Assembly Less Fittings T350 <b>(SN 0030009078 through 0030012032)</b>	
111	2130606	2	Fitting, Elbow	
112	2170206	1	Fitting, Long Elbow	
113	2110606	3	Fitting, Straight <b>(Prior to SN 0030009078)</b>	
113	2110606	2	Fitting, Straight <b>(SN 0030009078 through 0030012032)</b>	
114	2111610	1	Fitting, Straight	
115	2110806	1	Fitting, Straight <b>(SN 0030009078 through 0030012032)</b>	



# SECTION 1 - FRAME

## FIGURE 1-24. HONDA ENGINE INSTALLATION (GAS POWERED MACHINES)



## SECTION 1 - FRAME

**FIGURE 1-24. HONDA ENGINE INSTALLATION (GAS POWERED MACHINES)**

ITEM	PART NUMBER	QTY	DESCRIPTION	REV
	0273763	Ref	<b>HONDA ENGINE ASSEMBLY</b>	H
1	0100011	AR	Compound, Locking	
2	0641406	AR	Bolt 1/4in-20NC x 3/4in	
3	0641407	6	Bolt 1/4in-20NC x 7/8in	
4	0641410	2	Bolt 1/4in-20NC x 1-1/4in	
5	0641416	2	Bolt 1/4in-20NC x 2in, <b>(Prior to SN 0030001968, SN 0030002002 through 0030002006, Including 0030001975)</b>	
6	0641614	4	Bolt 3/8in-16NC x 1-3/4in	
7	1321130	2	Clamp, <b>(Prior to SN 0030001968, SN 0030002002 through 0030002006, Including 0030001975)</b>	
8		Ref	Engine, Honda GX270 Options:	
8	2000230	1	Engine (Use p/n 1001136471) (1001136471 Kit includes p/n 1001127719 Engine and 1001128929 Harness) <b>(Prior to SN 0030004208)</b>	
8	1001127719	1	Engine <b>(SN 0030004208 through 0030012032)</b>	
9	2902333	1	Pump Coupling Kit	
9A	7027326	1	Housing and Bolt Kit	
9B	0641608	6	Bolt 3/8in-16NC x 1in	
9C	4711600	6	Flatwasher 3/8in Regular	
9D	70001008	1	Cover	
9E	7027327	1	Coupling	
9F	7027328	1	Neoprene with Metal Ring	
10	3020015	1.16 qt	Oil, Motor (Not Shown)	
11	3311405	AR	Locknut 1/4in-20NC	
12	3311605	4	Locknut 3/8in-16NC	
13	3321401	2	Nut 1/4in-28NF	
14	3450202	1	Pin, Cotter	
15	3575070	1	Plate, Motor Mounting	
16	3600403	1	Gear Pump Assembly (No Serviceable Parts - Replace Complete Part)	
17	3740080	2	Relay	
18	3740144	1	Actuator, Solenoid (Choke)	
19		Ref	Cable, Throttle Options:	
19	3890051	2	Cable, Throttle (Use p/n 2915213) <b>(Prior to SN 0030001968, SN 0030002002 through 0030002006, Including 0030001975)</b>	
19	3890065	2	Cable, Throttle <b>(SN 0030001969 through 0030001974, SN 0030001976 through 0030002001, SN 0030002007 through 0030012032)</b>	
20	4100097	2	Spacer <b>(Prior to SN 0030001968, SN 0030002002 through 0030002006, Including 0030001975)</b>	
21	4751000	1	Flatwasher #10 Regular	
22		Ref	Flatwasher Options:	
22	4751400	22	Flatwasher 1/4in Regular <b>(Prior to SN 0030001968, SN 0030002002 through 0030002006, Including 0030001975)</b>	
22	4711400	26	Flatwasher 1/4in Thin <b>(SN 0030001969 through 0030001974, SN 0030001976 through 0030002001, SN 0030002007 through 0030012032)</b>	
23	4751600	8	Flatwasher 3/8in Regular	
25	2820179	1	Shield, Heat (Top)	
26	3900184	2	Screw #10-24NC x 5/8in	
27	4791400	4	Starwasher 1/4in <b>(Prior to SN 0030001968, SN 0030002002 through 0030002006), Including 0030001975)</b>	

# SECTION 1 - FRAME

ITEM	PART NUMBER	QTY	DESCRIPTION	REV
28	3740112	1	Relay	
29	3740148	1	Actuator, Solenoid (Throttle)	
30	0903597	2	Bracket, Cable Mount (SN 0030001969 through 0030001974, SN 0030001976 through 0030002001, SN 0030002007 through 0030012032)	
		Ref	<b>HONDA ENGINE INSTALLATION</b>	
	0274336	Ref	<b>Honda Engine Installation T350</b>	F
	0273939	Ref	<b>Honda Engine Installation T500J</b>	I
102	0400201	1	Battery	
103	0641610	3	Bolt 3/8in-16NC x 1-1/4in	
104	0641660	2	Bolt 3/8in-16NC x 7-1/2in	
105	0902659	1	Bracket, Battery Hold-Down	
106	3311605	5	Locknut 3/8in-16NC	
107	4751600	10	Flatwasher 3/8in Regular	
108	4923153	1	Cable, Battery Ground	
109	4923154	1	Cable, Battery Power	
110	1706260	1	Decal - Fuel	
111	3575775	1	Spacer	
112		Ref	Harness, Engine Options (Not Shown - See ELECTRICAL SECTION for Breakdown):	
112	4923132	1	Harness (Original Equipment) (Note: If item 8 Kit has been installed use p/n 1001128929) (Prior to SN 0030004208)	
112	1001128929	1	Harness (SN 0030004208 through 0030012032)	
		Ref	<b>HONDA ENGINE COMPONENTS</b>	
		Ref	<b>Note: Original Equipment engine p/n 200030 may have been replaced with Service Replacement engine p/n 1001136471. Identify engine before ordering parts.</b>	
	2000230	Ref	<b>Engine (Original Equipment) (Prior to SN 0030004208)</b>	D
	1001136471	Ref	<b>Engine (Service Replacement Kit) (Kit includes a 1001127719 Engine) (Prior to SN 0030004208)</b>	D
	1001127719	Ref	<b>Engine (SN 0030004208 through 0030012032)</b>	A
201	70001453	1	Filter Assembly, Inner Air	
201	7027372	1	Filter Assembly, Outer Air	
202		Ref	Carburetor, Replacement Options (See Service and Maintenance Manual for Instructions when Replacing Complete Assembly):	
202	7027376	1	Carburetor (2000230 Engine)	
202	70003493	1	Carburetor (1001127719 Engine)	
202	7027373	1	Gasket Set - Carburetor	
202	7027374	1	Valve Set - Carburetor	
202		Ref	Float Set - Carburetor Options:	
202	7027375	1	Float (2000230 Engine)	
202	70003549	1	Float (1001127719 Engine)	
202		Ref	Gasket, Carburetor to Insulator Options:	
202	7027377	1	Gasket (2000230 Engine)	
202	70003495	1	Gasket (1001127719 Engine)	
202		Ref	Gasket, Insulator to Block Options:	
202	7027378	1	Gasket (2000230 Engine)	
202	70003496	1	Gasket (1001127719 Engine)	
202	70003494	1	Spacer, Carburetor (1001127719 Engine Only)	
202	7027379	1	Cup, Fuel Strainer	
202		Ref	Remote Choke Assembly Options:	
202	7027380	1	Choke (2000230 Engine)	
202	See Note	1	Choke (1001127719 Engine) (Note: Not Available - Purchase	

## SECTION 1 - FRAME

ITEM	PART NUMBER	QTY	DESCRIPTION	REV
			Complete Carburetor p/n 70003493)	
202	7027381	1	Rod, Governor	
202	7027382	1	Spring, Governor	
202	7027383	1	Spring, Throttle Return (Long)	
202		Ref	Control, Throttle (Mechanical)	
202	7027384	1	Control (2000230 Engine)	
202	7023519	1	Control (1001127719 Engine)	
202	7027385	1	Spring, Return (Short) (Part of Throttle Control)	
203	7027386	1	Regulator, Voltage (2000230 Engine)	
204	7027387	1	Unit, Oil Alert (Not Shown) (2000230 Engine)	
205		Ref	Plug, Oil Fill Options:	
205	7027388	1	Plug (2000230 Engine)	
205	70003488	1	Plug (1001127719 Engine)	
206		Ref	Dipstick Options:	
206	7027389	1	Dipstick (2000230 Engine)	
206	70003489	1	Dipstick (1001127719 Engine)	
207		Ref	Switch, Oil Pressure Options (Not Shown):	
207	7027390	1	Switch, Oil Pressure (2000230 Engine)	
207	70003487	1	Switch, Oil Pressure (1001127719 Engine)	
208		Ref	Plug, Spark Options (Not Shown):	
208	7027391	1	Denso Brand	
208	70002770	1	NGK Brand	
209		Ref	Flywheel Options (Not Shown):	
209	7027393	1	Flywheel (2000230 Engine)	
209	70003512	1	Flywheel (1001127719 Engine)	
209	7027392	1	Key, Flywheel (Not Shown):	
209		Ref	Fan, Cooling Options (Not Shown):	
209	See Note	1	Fan (2000230 Engine) (Note: Not Available - Purchase Flywheel p/n 7027393)	
209	70003511	1	Fan (1001127719 Engine)	
210		Ref	Cap, Fuel Options:	
210	7027394	1	Cap (2000230 Engine)	
210	70003508	1	Cap (1001127719 Engine)	
210	70003506	1	Gasket, Fuel Cap (Part of 70003508 Cap)	
210		Ref	Strainer/Filter, Fuel Cap	
210	7027395	1	Strainer (2000230 Engine)	
210	70003509	1	Strainer (1001127719 Engine)	
211		Ref	Tank, Fuel Options:	
211	70000944	1	Tank (2000230 Engine)	
211	70003510	1	Tank (1001127719 Engine)	
211	70003505	1	Fitting, Fuel Tank Outlet (1001127719 Engine)	
211	70003507	1	O-Ring (Used at Fuel Tank Outlet) (1001127719 Engine)	
212		Ref	Coil, Charging Options (Not Shown):	
212	7027396	1	Coil (2000230 Engine)	
212	7027396	1	Coil (1001127719 Engine) (was p/n 70003515)	
212	7027397	1	Ignition Less Charging Coil (2000230 Engine) (Not Shown)	
212	70003516	1	Coil, Ignition (1001127719 Engine) (Not Shown)	
212		Ref	Suppressor, Noise Option (Not Shown):	
212	7027398	1	Suppressor (2000230 Engine)	
212	70003514	1	Suppressor (1001127719 Engine)	
212	70003517	1	Wiring Harness (1001127719 Engine) (Not Shown)	
213		Ref	Decal - Caution (Not Shown - Located Near Exhaust Outlet)	

## SECTION 1 - FRAME

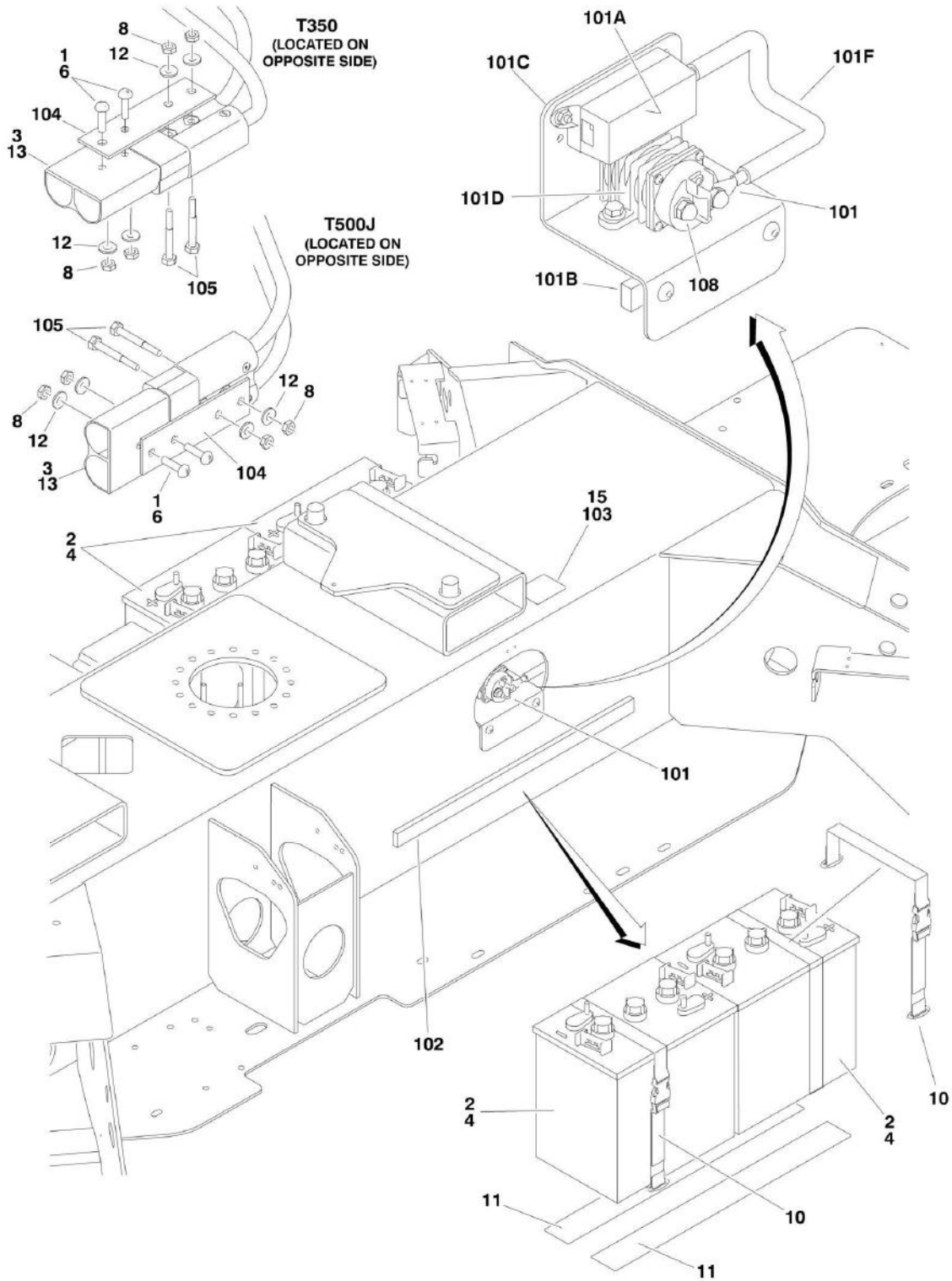
ITEM	PART NUMBER	QTY	DESCRIPTION	REV
213	7027399	1	Decal (2000230 Engine)	
213	70003531	1	Decal (1001127719 Engine)	
213	7027600	1	Decal - Oil Level Mark (2000230 Engine Only) (Not Shown)	
213	70003529	1	Decal - Choke (1001127719 Engine Only) (Not Shown)	
213	70003530	1	Decal - Throttle Indication (1001127719 Engine Only) (Not Shown)	
213	70003532	1	Decal - Operator Caution (1001127719 Engine Only) (Not Shown)	
214		Ref	Muffler Options:	
214	7027601	1	Muffler (2000230 Engine)	
214	70003500	1	Muffler (1001127719 Engine)	
214		Ref	Gasket, Exhaust Pipe to Block Options:	
214	7027602	1	Gasket (2000230 Engine)	
214	70003503	1	Gasket (1001127719 Engine)	
214	7027603	1	Gasket, Exhaust Pipe to Muffler	
214	70003504	1	Arrester, Spark (1001127719 Engine Only)	
215		Ref	Pull Start Assembly Options (Includes Case Cover, Pulley, Recoil, Pull Cord, Starter Ratchet, Ratchet Springs and Spring Retainer) (Not Shown):	
215	7027604	1	Pull Start (2000230 Engine)	
215	70003490	1	Pull Start (1001127719 Engine)	
215	70003492	1	Rope, Recoil (1001127719 Engine Only)	
216		Ref	Starter, Electrical Options (Not Shown):	
216	7027605	1	Starter (2000230 Engine)	
216	70003518	1	Starter (1001127719 Engine)	
216	7027606	1	Contact Assembly	
217	See Note	1	Key, Shaft (Note: Not available for purchase)	
218		Ref	Cover, Air Cleaner/Carburetor Options:	
218	70001964	1	Cover (2000230 Engine)	
218	See Note	1	Cover (1001127719 Engine) (Note: Not available for purchase)	
218		Ref	Element, Air Cleaner Options:	
218	70001453	1	Element (2000230 Engine)	
218	70001453	1	Element (1001127719 Engine) (Includes Element, Outside Band Filter and Grommet)	
218	7027372	1	Filter, Outer Band (1001127719 Engine Only) (Part of p/n 70001453)	
218		Ref	Gasket, Air Cleaner to Carburetor Options:	
218	See Note	1	Gasket (2000230 Engine) (Note: Not available for purchase)	
218	70003497	1	Gasket (1001127719 Engine)	
219		Ref	Nut, Air Cleaner Options:	
219	See Note	1	Nut (2000230 Engine) (Note: Not available for purchase)	
219	70003498	1	Nut, Housing/Cover (1001127719 Engine)	
219	70003499	1	Nut, Filter (1001127719 Engine)	
220		Ref	Shield, Muffler Cover Options:	
220	70002738	1	Shield (2000230 Engine)	
220	70003501	1	Shield (1001127719 Engine)	
221	70003502	1	Cap, Muffler Cover	
222	70003521	1	Key Switch (1001127719 Engine) (Not Shown)	
222	70003522	1	Fuse 5A (1001127719 Engine) (Not Shown)	
222	70003550	1	Key (1001127719 Engine) (Not Shown)	
222	70003520	1	Rectifier (1001127719 Engine) (Not Shown)	





# SECTION 1 - FRAME

FIGURE 1-25. BATTERIES INSTALLATION (ELECTRIC POWERED MACHINES) (Prior to SN 0030001804)



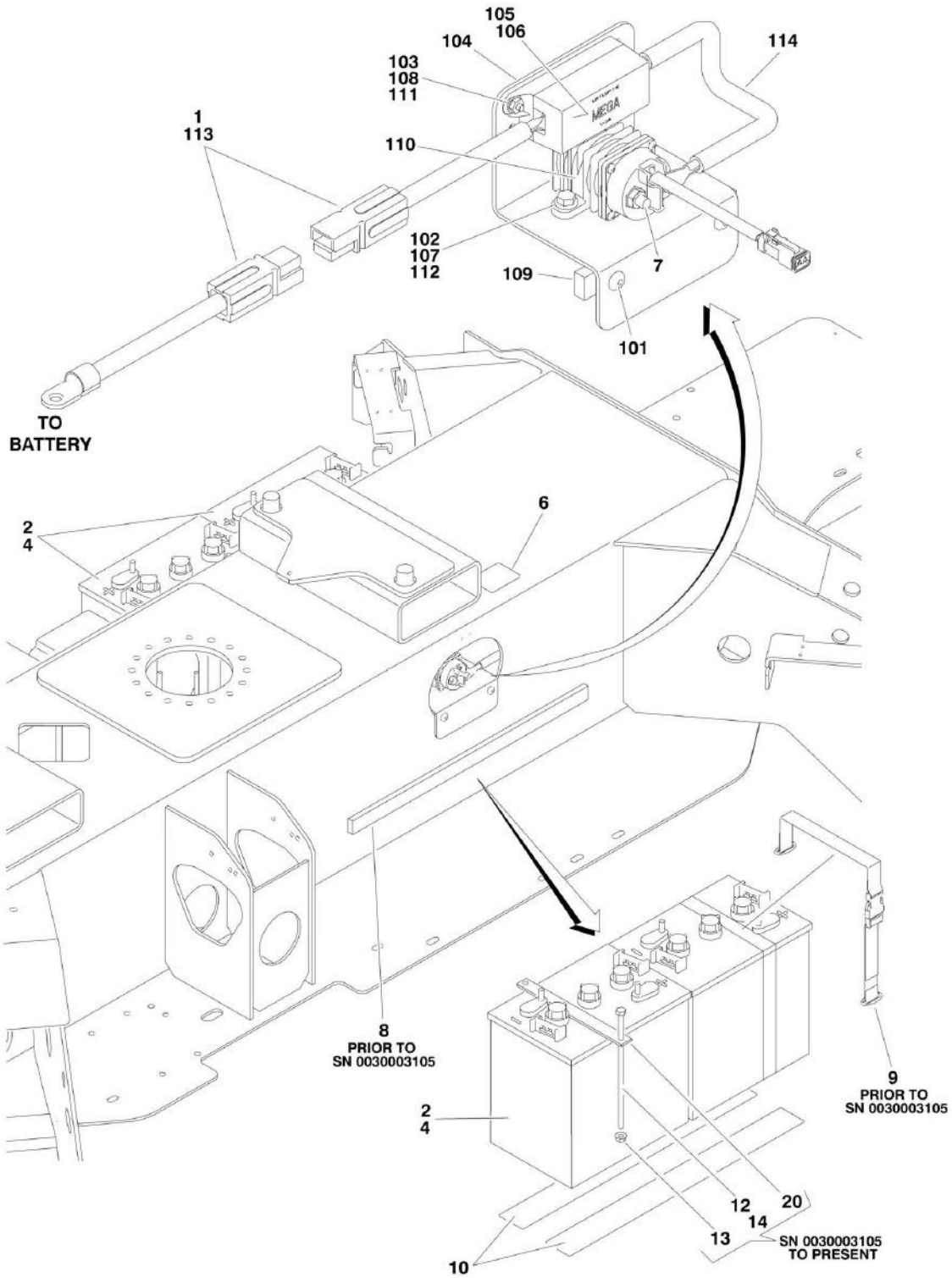
## SECTION 1 - FRAME

**FIGURE 1-25. BATTERIES INSTALLATION (ELECTRIC POWERED MACHINES) (Prior to SN 0030001804)**

ITEM	PART NUMBER	QTY	DESCRIPTION	REV
		Ref	<b>BATTERIES INSTALLATION</b>	
	0273662	Ref	<b>Batteries Installation T350 without Drive Option</b>	J
	9984274	Ref	<b>Batteries Installation T350 with Drive Option</b>	E
	0273947	Ref	<b>Batteries Installation T500J without Drive Option</b>	K
	9984274	Ref	<b>Batteries Installation T500J with Drive Option</b>	E
1	0100011	AR	Compound, Locking	
2	0100048	AR	Grease, Dielectric	
3	0100051	AR	Grease, Battery Terminal	
4	0400215	4	Battery - 6V/220Amp	
6	0641412	2	Bolt 1/4in-20NC x 1-1/2in	
8	3311402	2	Nut, Jam 1/4in-20NC	
10	4240169	4	Strap, Tie-Down (Use p/n 4240177)	
10	4240174	4	Strap, Tie-Down (Use p/n 4240177)	
11	4420038	80 in in/2m	Tape, Rubber	
12	4711400	2	Flatwasher 1/4in Thin	
13		Ref	Battery Cables Kit (Not Shown - See ELECTRICAL SECTION for Breakdown)	
13	4923020	1	Without Drive Option	
13	4923428	1	With Drive Option	
14	1701644	1	Decal - Battery Charger (Not Shown - DECAL SECTION For Location)	
15	1702155	1	Decal - Battery Disconnect ( <b>Prior to SN 0030001498</b> )	
		Ref	<b>CONTACTOR INSTALLATION</b>	
	0275442	Ref	<b>Without Drive Option</b>	B
	0275536	Ref	<b>With Drive Option</b>	B
101	0275439	1	Contactor Assembly	C
101A	2400087	1	Fuse - 300 Amp	
101A	2400088	1	Fuseholder	
101B	3576773	1	Bar, Clamping	
101C	0903560	1	Bracket, Contactor Mount	
101D	3740150	1	Relay	
101E	4923545	1	Cable, Electrical (Fuse to Battery B+) (Not Shown - See ELECTRICAL SECTION for Breakdown)	
101F	4923570	1	Cable, Electrical	
102	4220306	1	Pad, Battery	
103	1702155	1	Decal, Battery Disconnect	
104	3576777	1	Plate, Tie	
105	0641416	1	Bolt 1/4in-20NC x 2in	
106	4923544	1	Cable, Battery (Not Shown - See ELECTRICAL SECTION for Breakdown)	
107	0100048	AR	Grease, Dielectric (Not Shown)	
108	3300506	2	Nut, Acorn 5/16in-24	
109	2820247	AR	Heatshrink (Not Shown)	

# SECTION 1 - FRAME

FIGURE 1-26. BATTERIES INSTALLATION (ELECTRIC POWERED MACHINES) (SN 0030001804 through 0030012032)



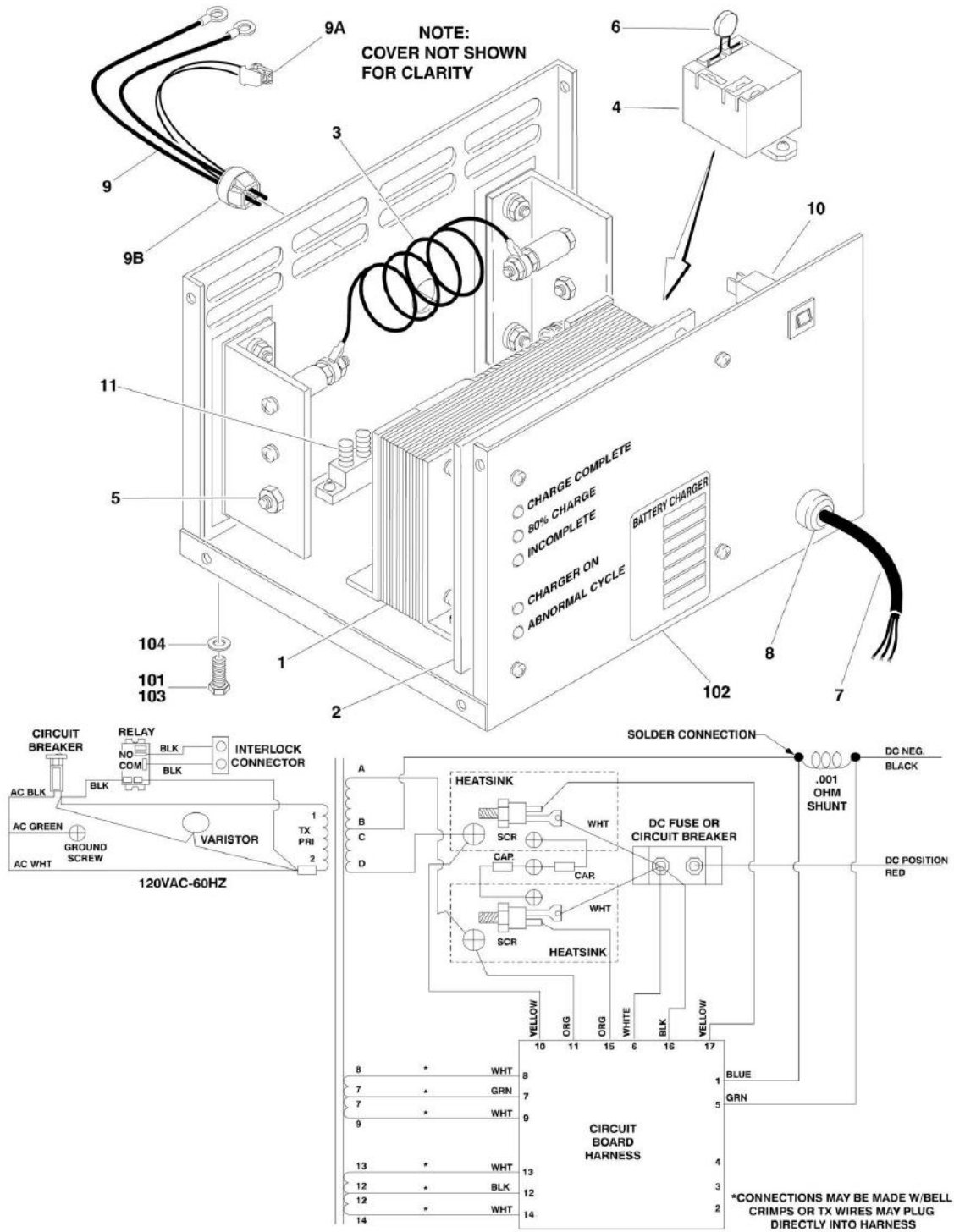
## SECTION 1 - FRAME

**FIGURE 1-26. BATTERIES INSTALLATION (ELECTRIC POWERED MACHINES) (SN 0030001804 through 0030012032)**

ITEM	PART NUMBER	QTY	DESCRIPTION	REV
		Ref	<b>BATTERIES INSTALLATION</b>	
	0275709	Ref	<b>Batteries Installation T350/T500J without Drive Option (Prior to SN 0030001896)</b>	B
	0275718	Ref	<b>Batteries Installation T350/T500J with Drive Option</b>	E
	1001201419	Ref	<b>Batteries Installation – AGM Batteries T350/T500J without Drive Option (SN 0030006791 through 0030012032)</b>	A
1	0100048	AR	Grease, Dielectric	
2	0100051	AR	Grease, Battery Terminal	
4		Ref	Batteries Options:	
4	0400215	4	Battery - 6V/220Amp	
4	1001112112	4	AGM Battery - 6V/220Amp	
5	1701644	1	Decal - Battery Charger (Not Shown - DECAL SECTION For Location)	
6	1702155	1	Decal - Battery Disconnect	
7	3300506	2	Nut, Acorn 5/16in-24	
8	4220306	1	Pad, Battery <b>(Prior to SN 0030003105)</b>	
9	4240177	4	Strap, Tie-Down <b>(Prior to SN 0030003105)</b>	
10	4420038	80 in in/2m	Tape, Rubber	
11		Ref	Battery Cables Kit (Not Shown - See ELECTRICAL SECTION for Breakdown)	
11	4923020	1	Without Drive Option	
11	4923428	1	With Drive Option	
12	0630541	8	Bolt, Battery Hold-Down <b>(SN 0030003105 through 0030012032)</b>	
13	3311608	8	Nut, Serrated 3/8in-16NC <b>(SN 0030003105 through 0030012032)</b>	
14	0100011	AR	Compound, Locking	
20	1001104509	4	Plate, Hold-Down <b>(SN 0030003105 through 0030012032)</b>	
	0275439	Ref	<b>CONTACTOR INSTALLATION</b>	C
101	0630468	2	Screw 5/16in-18NC x 1in	
102	0641407	2	Bolt 1/4in-20NC x 7/8in	
103	0721004	2	Screw, Machine #10-24NC x 1/2in	
104	0903560	1	Bracket, Contactor Mount	
105	2400087	1	Fuse - 300 Amp	
106	2400088	1	Fuseholder	
107	3311405	2	Locknut 1/4in-20NC	
108	3311005	2	Locknut #10-24NC	
109	3576773	1	Bar, Clamping	
110	3740150	1	Relay	
111	4711000	2	Flatwasher #10 Thin	
112	4711400	2	Flatwasher 1/4in Thin	
113	4923545	1	Cable, Electrical (Fuse to Battery B+) (See ELECTRICAL SECTION for Breakdown)	
114	4923570	1	Cable, Electrical	

# SECTION 1 - FRAME

## FIGURE 1-27. MAC BATTERY CHARGER ASSEMBLY (ELECTRIC POWERED MACHINES)



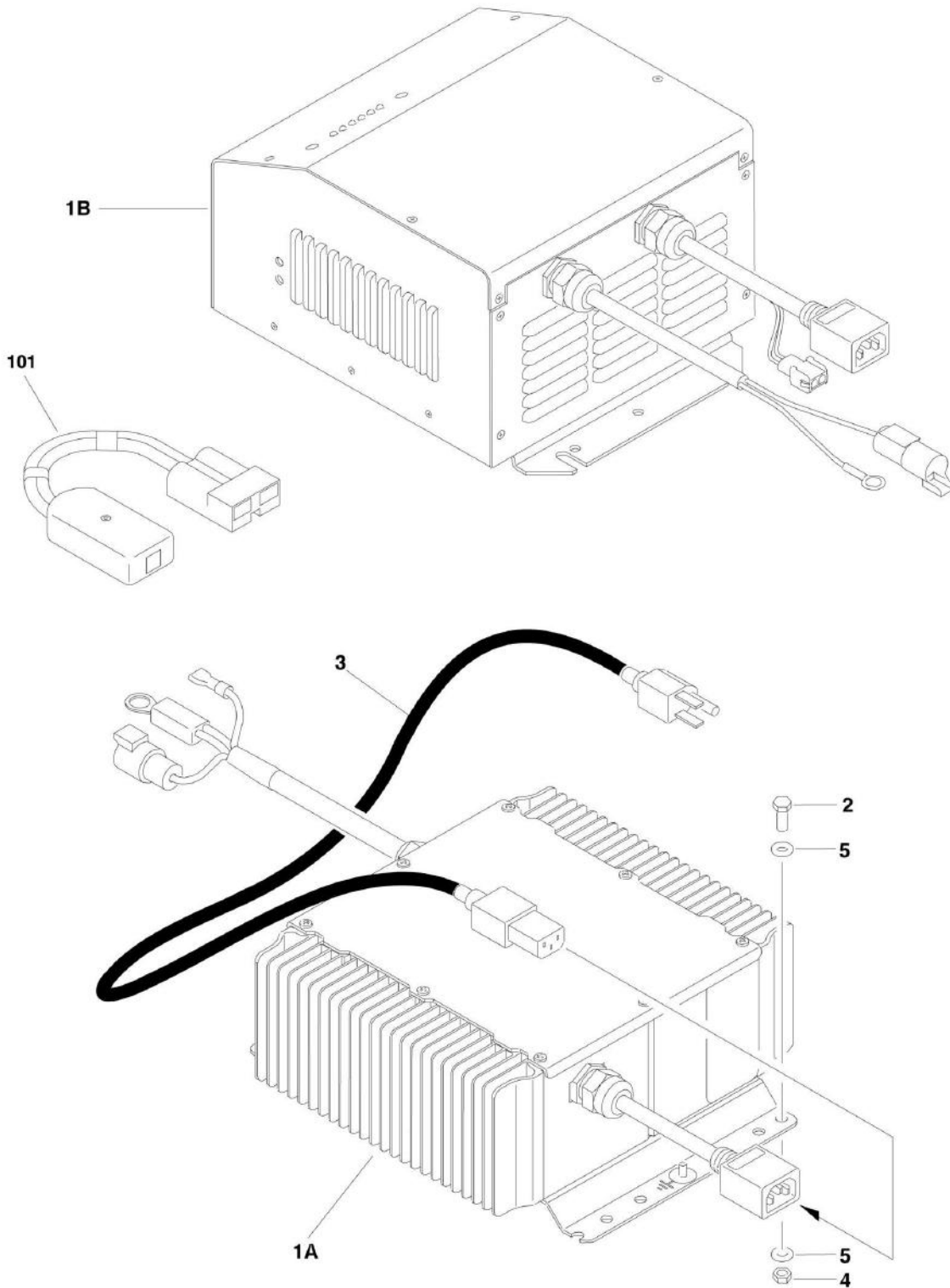
## SECTION 1 - FRAME

**FIGURE 1-27. MAC BATTERY CHARGER ASSEMBLY (ELECTRIC POWERED MACHINES)**

ITEM	PART NUMBER	QTY	DESCRIPTION	REV
	0400164	Ref	<b>MAC BATTERY ASSEMBLY</b>	C
1	7020620	1	Transformer	
2	7018553	1	Card, Circuit	
3	7018554	1	Shunt Assembly	
4	7018505	1	Relay, Interlock	
5	7018555	2	SCR Rectifier	
6	7011596	1	Varistor	
7	7011638	1	AC Cord Assembly	
8	7018556	1	Connector, Strain Relief - Elbow	
9	7018567	1	DC Harness Assembly	
9A	4460424	1	Connector, Male - 2 Position	
9A	4460267	2	Pin, Male	
9B	7011528	1	Connector, Strain Relief	
10	7018514	1	Breaker, Circuit - AC	
11	7011509	1	Breaker, Circuit - DC	
	0274340	Ref	<b>BATTERY CHARGER INSTALLATION</b>	A
101	0100011	AR	Compound, Locking	
102	0400164	1	Battery Charger Assembly (Includes Items 1-11)	
103	0641406	4	Bolt 1/4in-20NC x 3/4in	
104	4751400	4	Flatwasher 1/4in Regular	

# SECTION 1 - FRAME

FIGURE 1-28. DELTA-Q AND PRO CHARGING BATTERY CHARGER ASSEMBLIES (ELECTRIC POWERED MACHINES)





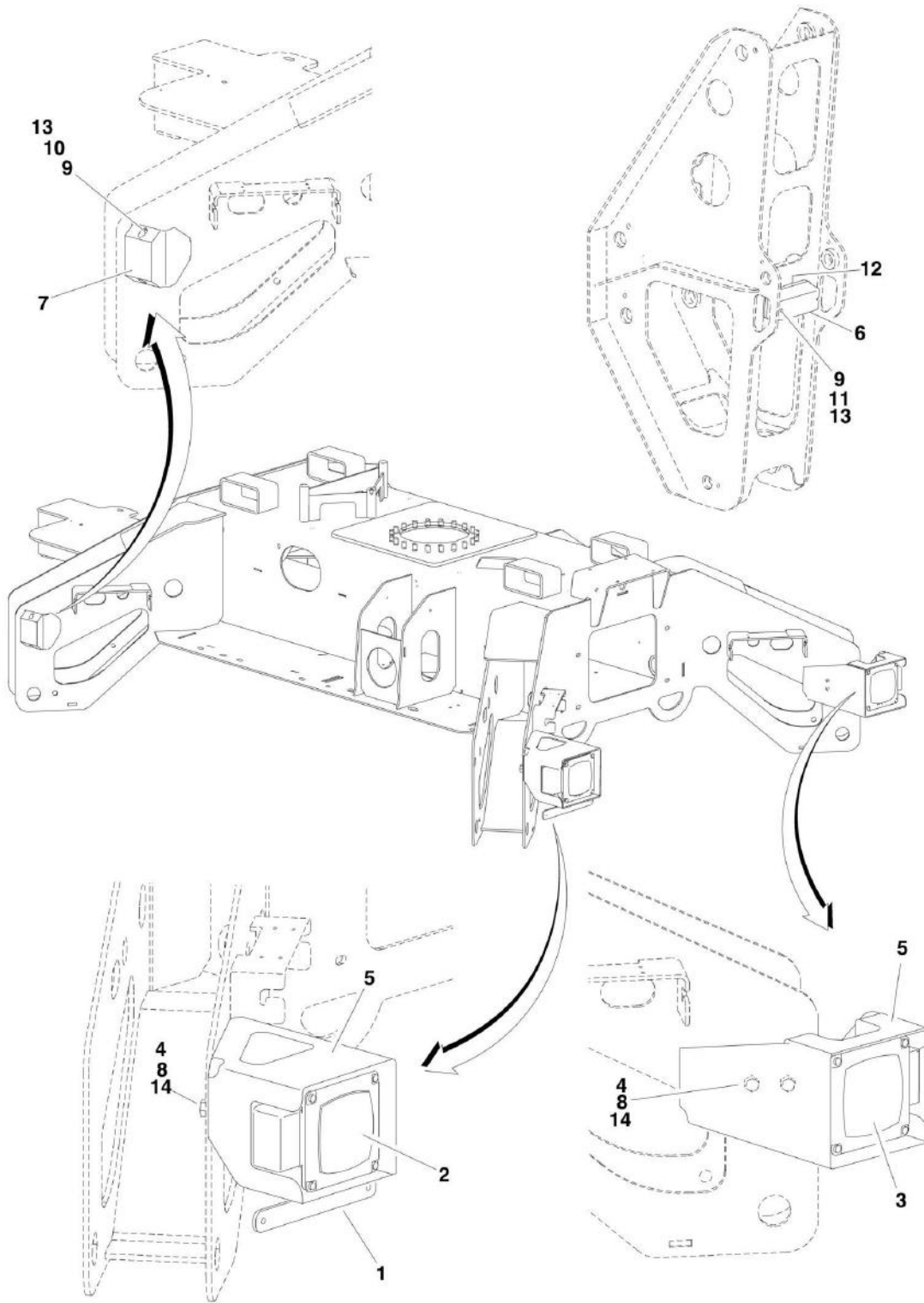
## SECTION 1 - FRAME

**FIGURE 1-28. DELTA-Q AND PRO CHARGING BATTERY CHARGER ASSEMBLIES (ELECTRIC POWERED MACHINES)**

ITEM	PART NUMBER	QTY	DESCRIPTION	REV
		Ref	<b>BATTERY CHARGER INSTALLATION</b>	
	0274380	Ref	<b>ANSI and CSA Specs without Optional Generator</b>	B
	1001131393	Ref	<b>ANSI, ANSI Export and CSA Specs with Optional Generator</b>	A
	0274380	Ref	<b>ANSI Export Specs</b>	B
	0274731	Ref	<b>CE, Australian and South Africa Specs</b>	B
1		Ref	Battery Charger Assembly Options (No Serviceable Parts Available):	
1A	0400236	1	Charger - All Specs Except ANSI Spec (Delta-Q)	
1A	0400236	1	Charger - ANSI Spec without Optional Generator (Delta-Q)	
1B	1001133506	1	Charger - ANSI Spec with Optional Generator (Pro-Charging Systems) (Use p/n 1001134313)	
2	0641406	4	Bolt 1/4in-20NC x 3/4in	
3		Ref	AC Extension Cord	
3	1060688	1	ANSI and ANSI Export Specs (With Standard 110V ANSI Plug)	
3	1060689	1	CE, Australian and South Africa Specs (With Locally Supplied Plug)	
4	3311405	4	Locknut 1/4in-20NC	
5	4711400	8	Flatwasher 1/4in Thin	
101	1600466	1	<b>BATTERY CHARGER REPROGRAM CONTROLLER (USE P/N 2915230)</b>	

# SECTION 1 - FRAME

FIGURE 1-29. TAILLIGHTS AND MARKERS INSTALLATION (ANSI AND ANSI EXPORT SPECS)



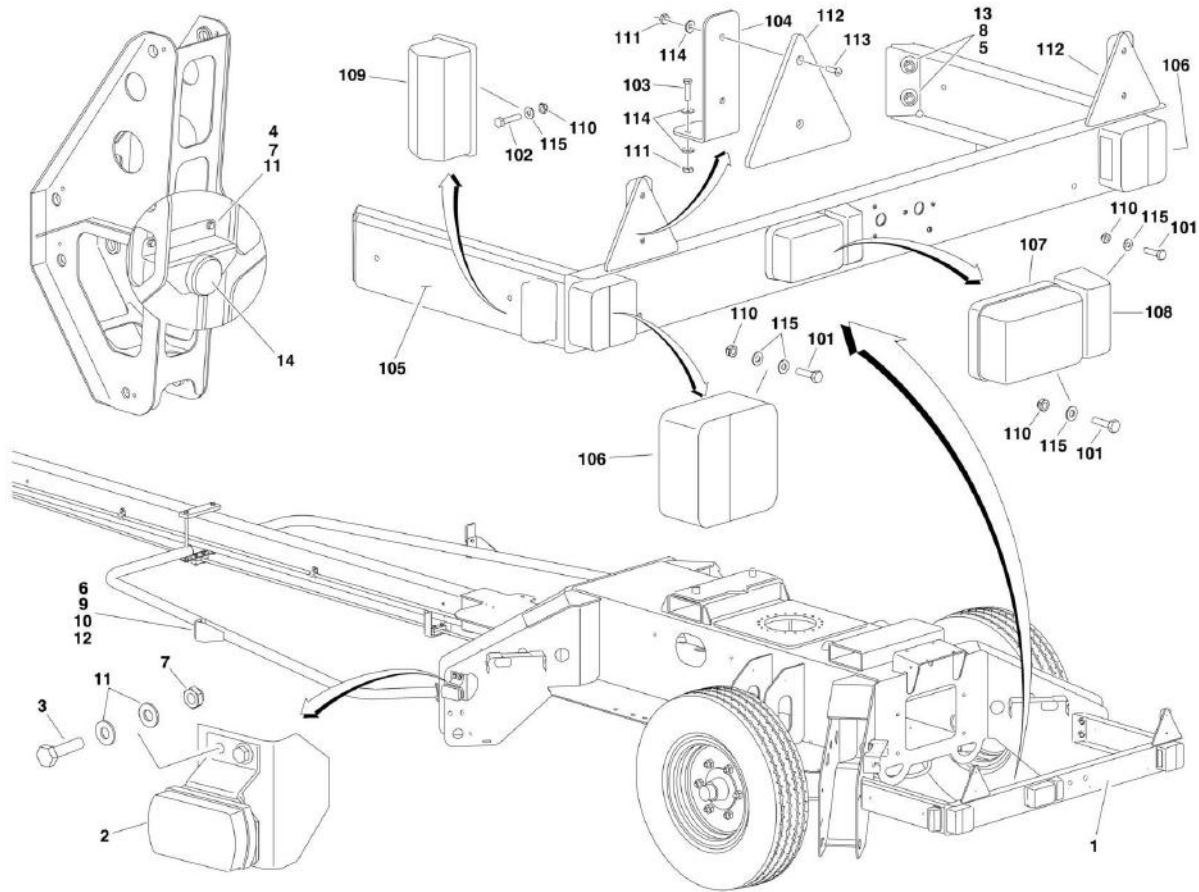
## SECTION 1 - FRAME

**FIGURE 1-29. TAILLIGHTS AND MARKERS INSTALLATION (ANSI AND ANSI EXPORT SPECS)**

ITEM	PART NUMBER	QTY	DESCRIPTION	REV
		Ref	<b>TAILLIGHTS AND MARKERS INSTALLATION</b>	
	0273665	Ref	<b>Taillights and Markers Installation T350</b>	E
	0273934	Ref	<b>Taillights and Markers Installation T500J</b>	E
1	71101	1	Bracket, License Plate	
2	71906	1	Taillight Assembly with License Plate Light (Road Side)	
2	7026341	1	Bulb, Stop/Turn/Taillight	
2	7026342	1	Bulb, Side Marker Light	
2	7026343	1	Lens, Red Taillight	
2	7026340	1	Lens, Red Side Marker	
3	71907	1	Taillight Assembly without License Plate Light (Curb Side)	
3	7026341	1	Bulb, Stop/Turn/Taillight	
3	7026342	1	Bulb, Side Marker Light	
3	7026343	1	Lens, Red Taillight	
3	7026340	1	Lens, Red Side Marker	
4	0761012	4	Screw 10mm x 25mm	
5	0903107	2	Bracket, Taillight	
6	2920113	1	Taillight, Boom	
7	2920179	2	Side Marker Light/Reflector Assembly	
7	7027717	2	Bulb (1 Per Assembly)	
8	3291005	4	Locknut 10mm	
9	3311005	6	Locknut #10-24NC	
10	0721006	4	Screw #10-24NC x 3/4in	
11	3911040	2	Screw #10-24NC x 2-1/2in	
12	3960461	1	Seal, Gasket	
13	4751000	6	Flatwasher #10 Regular	
14	4812000	8	Flatwasher 10mm	
15		Ref	Harness, Lights (Not Shown - See ELECTRICAL SECTION for Breakdown):	
15	4923148	1	Harness Lights T350	E
15	4923149	1	Harness Lights T500J	E

# SECTION 1 - FRAME

## FIGURE 1-30. TAILLIGHTS AND MARKERS INSTALLATION (AUSTRALIAN, CE AND SOUTH AFRICA SPECS)



## SECTION 1 - FRAME

**FIGURE 1-30. TAILLIGHTS AND MARKERS INSTALLATION (AUSTRALIAN, CE AND SOUTH AFRICA SPECS)**

ITEM	PART NUMBER	QTY	DESCRIPTION	REV
		Ref	<b>TAILLIGHTS AND MARKERS INSTALLATION</b>	
	0274739	Ref	<b>Taillights and Markers Installation T350 Australian and South Africa Spec</b>	B
	0273666	Ref	<b>Taillights and Markers Installation T350 CE Spec</b>	A
	0274740	Ref	<b>Taillights and Markers Installation T500J Australian and South Africa Spec</b>	B
	0274430	Ref	<b>Taillights and Markers Installation T500J CE Spec</b>	A
1		Ref	Rear Light Bracket Assembly Options (See Items 101-115 for Breakdown):	
1	0274741	1	Australian and South Africa Spec	
1	0274538	1	CE Spec	
2	0274539	2	Side Marker Light Assembly	
2	2920182	2	Lamp Only (1 Per Assembly) <b>(Prior to SN 0030009190)</b>	
2	1001228138	2	Lamp Only (1 Per Assembly) <b>(SN 0030009190 through 0030012032)</b>	
2	70000095	2	Bulb (1 Per Assembly)	
3	0641406	4	Bolt 1/4in-20NC x 3/4in	
4	0641407	2	Bolt 1/4in-20NC x 7/8in	
5	0641608	4	Bolt 3/8in-16NC x 1in	
6	3311005	4	Locknut #10-24NC (T500J Only)	
7	3311405	6	Locknut 1/4in-20NC	
8	3311605	4	Locknut 3/8in-16NC	
9		Ref	Reflector (White) Options:	
9	Not Required	0	Reflector (White) T350	
9	3700014	2	Reflector (White) T500J	
10	3911010	2	Screw #10-24NC x 5/8in (T500J Only)	
11	4711400	8	Flatwasher 1/4in Narrow	
12	4751000	2	Flatwasher #10 Wide (T500J Only)	
13	4751600	6	Flatwasher 3/8in Wide	
14		Ref	Light Assembly, Rear Options:	
14	0274638	1	Light Assembly, Rear T350 Australian and South Africa Spec	
14	Not Required	0	Light Assembly, Rear T350 CE Spec	
14	0274638	1	Light Assembly, Rear T500J Australian and South Africa Spec	
14	0274638	1	Light Assembly, Rear T500J CE Spec	
14	2920189	1	Lamp Only (1 Per Assembly) <b>(Prior to SN 0030009190)</b>	
14	1001228139	1	Lamp Only (1 Per Assembly) <b>(SN 0030009190 through 0030012032)</b>	
14	70000098	1	Bulb (1 Per Assembly)	
		Ref	<b>REAR LIGHT BRACKET ASSEMBLY</b>	
	0274741	Ref	<b>Australian and South Africa Spec</b>	C
	0274538	Ref	<b>CE Spec</b>	A
101	0700408	8	Bolt 4mm x 16mm	
102	0700410	4	Bolt 4mm x 20mm	
103	0721006	4	Screw, Machine #10-24NC x 3/4in	
104	0903177	2	Plate, Reflector Mounting	
105	0940136	1	Bar, Light	
106	2920180	2	Taillight	
106	70000092	2	Bulb (Double Contact) (1 Per Assembly)	
106	70000093	2	Bulb (Single Contact) (1 Per Assembly)	
107		Ref	Foglight, Rear Options:	

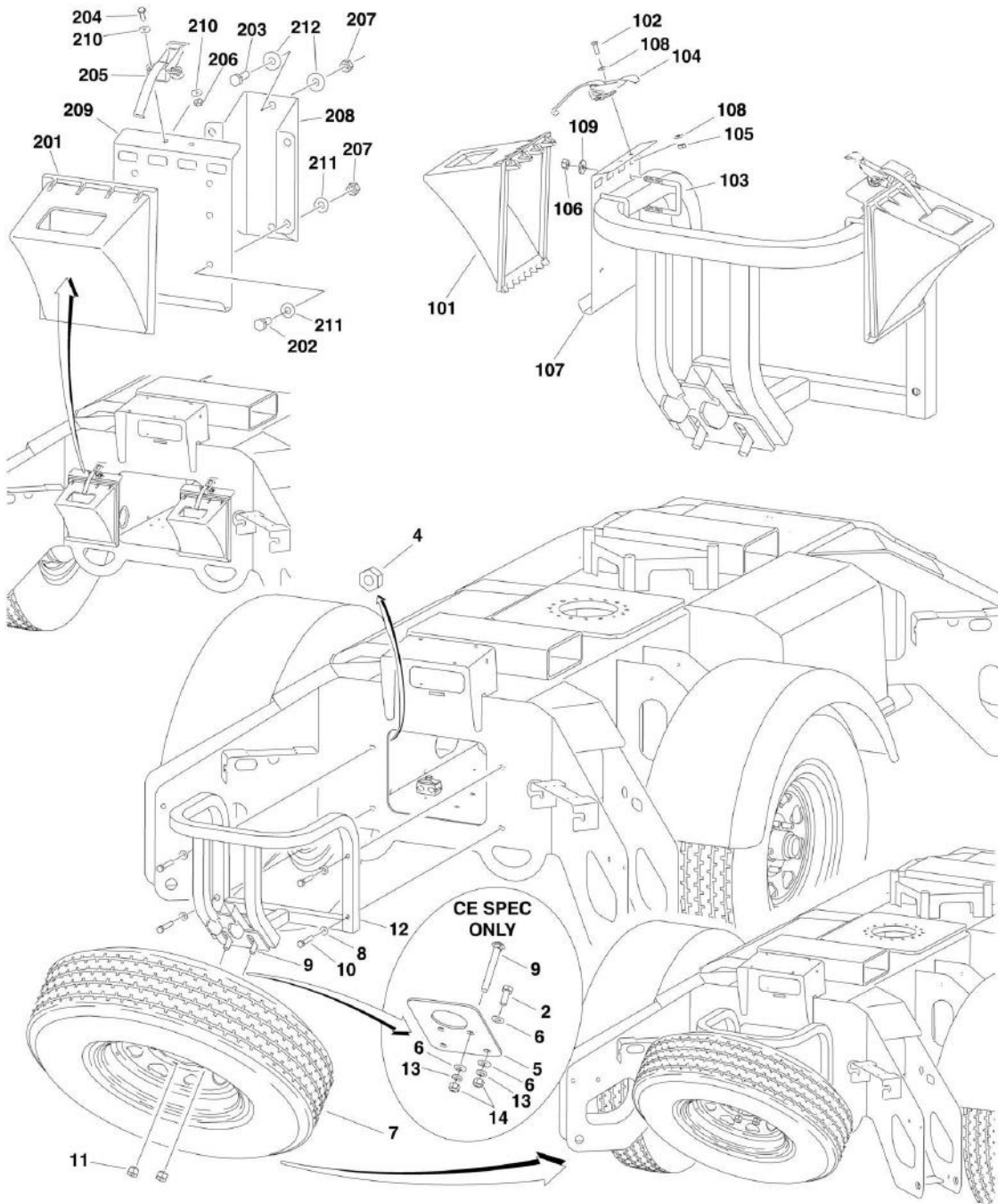
## SECTION 1 - FRAME

ITEM	PART NUMBER	QTY	DESCRIPTION	REV
107	Not Required	0	Australian and South Africa Spec	
107	2920181	1	CE Spec	
107	70000093	1	Bulb	
108	2920183	1	License Plate Light	
108	70000096	1	Bulb (1 Per Assembly)	
109	2920184	2	Side Marker Light	
109	70000097	2	Bulb (1 Per Assembly)	
110	3290405	12	Locknut 4mm	
111	3311005	8	Locknut #10-24NC	
112	3700012	2	Reflector, Red Triangle	
113	3911010	4	Screw #10-24NC x 5/8in	
114	4751000	12	Flatwasher #10 Wide	
115	4811400	16	Flatwasher 4mm	



# SECTION 1 - FRAME

## FIGURE 1-31. SPARE TIRE AND WHEEL CHOCKS INSTALLATIONS (OPTIONAL)





## SECTION 1 - FRAME

**FIGURE 1-31. SPARE TIRE AND WHEEL CHOCKS INSTALLATIONS (OPTIONAL)**

ITEM	PART NUMBER	QTY	DESCRIPTION	REV
		Ref	<b>SPARE TIRE INSTALLATION (OPTIONAL)</b>	
	0273679	Ref	<b>Spare Tire Installation T350 (Available on All Specs Except CE Spec)</b>	C
	0274329	Ref	<b>Spare Tire Installation T350 (CE Spec)</b>	C
	0275632	Ref	<b>Spare Tire Installation T350 (Australian and South Africa Spec)</b>	B
	0275628	Ref	<b>Spare Tire Installation T350 (Mount Only) (Australian and South Africa Spec)</b>	A
	0274048	Ref	<b>Spare Tire Installation T500J (Available on All Specs Except CE Spec)</b>	C
	0274330	Ref	<b>Spare Tire Installation T500J (CE Specs)</b>	D
	0275633	Ref	<b>Spare Tire Installation T500J (Australian and South Africa Spec)</b>	A
	0275627	Ref	<b>Spare Tire Installation T500J (Mount Only) (Australian and South Africa Spec)</b>	A
2	0651810	2	Bolt 1/2in-20NC x 1-1/4in (CE Spec - T500J Only)	
2	0651812	2	Bolt 1/2in-20NC x 1-1/2in (CE Spec - T500J Only)	
4	3311605	4	Locknut 3/8in-16NC	
5	3576437	1	Plate, Wheel Adapter (CE Spec - T500J Only)	
6	4711800	AR	Flatwasher 1/2in Thin (CE Spec Only)	
7	See Note	1	Tire and Wheel Assembly (Note: See Axle and Tongue Installation for P/N)	
8	4711600	AR	Flatwasher 3/8in Thin	
9		Ref	Bolt, Carriage Options:	
9	0630598	2	Bolt, Carriage 1/2in-20NC x 2-1/2in	
9	0630607	2	Bolt, Carriage 1/2in-20NC x 4in	
10	0641617	4	Bolt 3/8in-16NC x 2-1/2in	
11	3300407	2	Lugnut	
12		Ref	Bracket, Spare Tire Mounting Options:	
12	4340985	1	Bracket, Spare Tire Mounting <b>(Prior to SN 0030001538)</b>	
12		Ref	Bracket, Spare Tire Mounting <b>(SN 0030001542 through 0030001566)</b>	
12		Ref	Bracket, Spare Tire Mounting <b>(SN 0030001568 through 0030001576)</b>	
12		Ref	Bracket, Spare Tire Mounting <b>(SN 0030001578 through 0030001589)</b>	
12		Ref	Bracket, Spare Tire Mounting <b>(SN 0030001595 through 0030001597)</b>	
12	4341181	1	Bracket, Spare Tire Mounting <b>(SN 0030001538 through 0030001541)</b>	
12		Ref	Bracket, Spare Tire Mounting <b>(Including 0030001567)</b>	
12		Ref	Bracket, Spare Tire Mounting <b>(Including 0030001577)</b>	
12		Ref	Bracket, Spare Tire Mounting <b>(SN 0030001590 through 0030001594)</b>	
12		Ref	Bracket, Spare Tire Mounting <b>(SN 0030001598 through 0030012032)</b>	
13	4761800	AR	Lockwasher 1/2in (CE Spec Only)	
14	3321801	AR	Nut 1/2in-13NC (CE Spec Only)	
	0274520	Ref	<b>WHEEL CHOCK INSTALLATION WITH SPARE TIRE (OPTIONAL)</b>	B
101	0240116	2	Chock, Wheel	
102	0721004	4	Screw, Machine #10-24NC x 1/2in	
103	1320302	4	U-Clamp	

## SECTION 1 - FRAME

ITEM	PART NUMBER	QTY	DESCRIPTION	REV
104	2940177	2	Latch, Draw	
105	3311005	4	Locknut #10-24NC	
106	3311405	8	Locknut 1/4in-20NC	
107	4341054	2	Mount, Wheel Chock Stowage	
108	4711000	8	Flatwasher #10 Thin	
109	4711400	8	Flatwasher 1/4in Regular	
	0273624	Ref	<b>WHEEL CHOCK INSTALLATION WITHOUT SPARE TIRE (OPTIONAL)</b>	A
201	0240116	2	Chock, Wheel	
202	0641506	8	Bolt 5/16in-18NC x 3/4in	
203	0641508	4	Bolt 5/16in-18NC x 1in	
204	0721004	4	Screw, Machine #10-24NC x 1/2in	
205	2940177	2	Latch, Draw	
206	3311005	4	Locknut #10-24NC	
207	3311505	12	Locknut 5/16in-18NC	
208	4341053	2	Bracket, Mounting	
209	4341054	2	Mount, Wheel Chock Stowage	
210	4711000	8	Flatwasher #10 Thin	
211	4711500	16	Flatwasher 5/16in Thin	
212	4751500	8	Flatwasher 5/16in Regular	



# SECTION 1 - FRAME

## FIGURE 1-32. FENDERS INSTALLATION

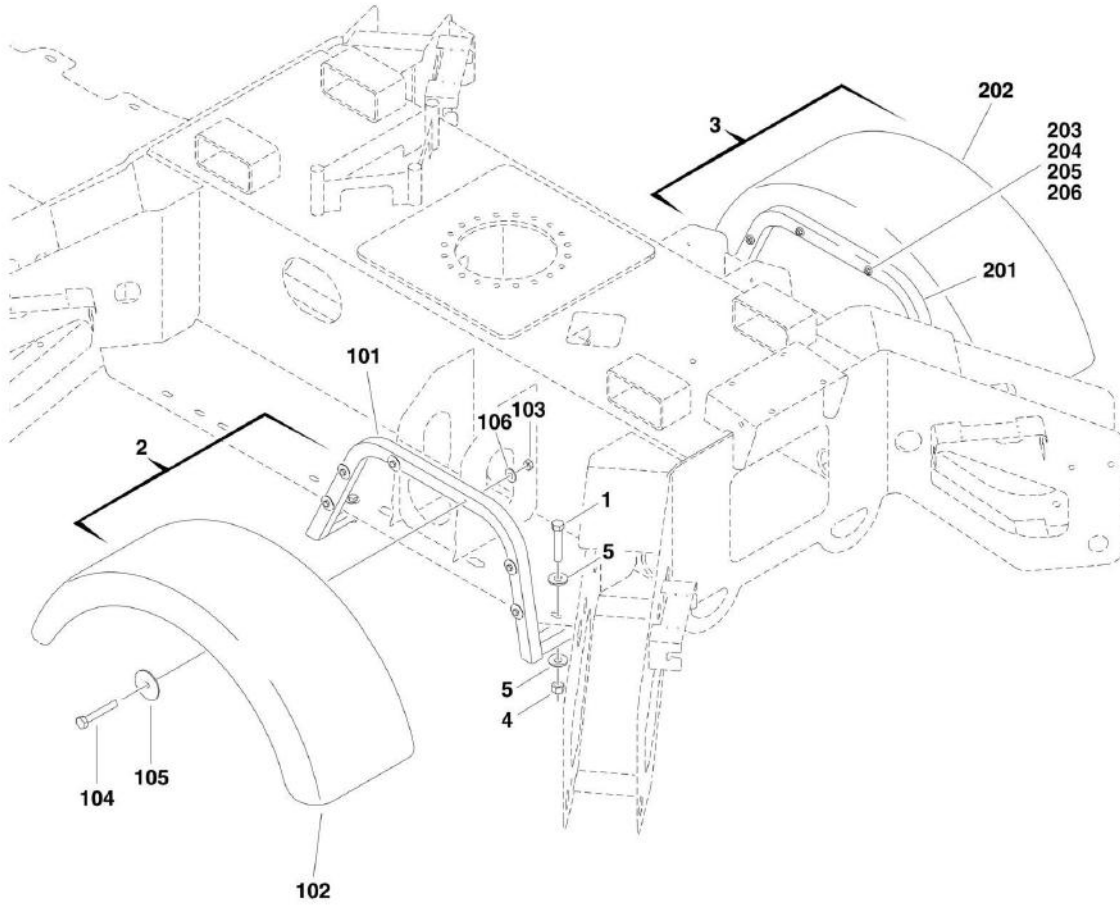


FIGURE 1-32. FENDERS INSTALLATION

ITEM	PART NUMBER	QTY	DESCRIPTION	REV
		Ref	<b>FENDERS INSTALLATION</b>	
	0273625	Ref	<b>Fenders Installation T350 without Mudflaps</b>	E
	0274433	Ref	<b>Fenders Installation T350 with Mudflaps</b>	B
	0273946	Ref	<b>Fenders Installation T500J without Mudflaps</b>	D
	0274434	Ref	<b>Fenders Installation T500J with Mudflaps</b>	B
		Ref	<b>Note: Front/Rear and Left/Right are determined by facing the Tow Vehicle.</b>	
1	0641616	4	Bolt 3/8in-16NC x 2in	
2		Ref	Fender Assembly (Left Side) (See Items 101-106 for Breakdown)	
2	2090052	1	Fender Assembly T350 without Mudflap	
2	2090058	1	Fender Assembly T350 with Mudflap (Not Shown)	
2	2090050	1	Fender Assembly T500J without Mudflap	
2	2090056	1	Fender Assembly T500J with Mudflap (Not Shown)	
3		Ref	Fender Assembly (Right Side) (See Items 201-206 for Breakdown)	
3	2090053	1	Fender Assembly T350 without Mudflap	
3	2090059	1	Fender Assembly T350 with Mudflap (Not Shown)	
3	2090051	1	Fender Assembly T500J without Mudflap	
3	2090057	1	Fender Assembly T500J with Mudflap (Not Shown)	
4	3311605	4	Locknut 3/8in-16NC	
5	4751600	8	Flatwasher 3/8in Wide	
		Ref	<b>FENDER ASSEMBLY (LEFT SIDE)</b>	
	2090052	Ref	<b>Fender Assembly T350 without Mudflap</b>	C
	2090058	Ref	<b>Fender Assembly T350 with Mudflap</b>	C
	2090050	Ref	<b>Fender Assembly T500J without Mudflap</b>	D
	2090056	Ref	<b>Fender Assembly T500J with Mudflap</b>	B
		Ref	<b>Note: Front/Rear and Left/Right are determined by facing the Tow Vehicle.</b>	
		Ref	<b>Note: All assembly components are identical between models. Bracket located inside fender on T350. Bracket located outside fender for T500J.</b>	
101	0903111	1	Bracket, Fender	
102		Ref	Fender Options:	
102	2090043	1	Without Mudflap	
102	2090054	1	With Mudflap (Not Shown)	
103	3311405	6	Locknut 1/4in-20NC	
104	0641414	6	Bolt 1/4in-20NC x 1-3/4in	
105	4740362	6	Washer, Fender 1/4in	
106	4751400	6	Flatwasher 1/4in Wide	
		Ref	<b>FENDER ASSEMBLY (RIGHT SIDE)</b>	
	2090053	Ref	<b>Fender Assembly T350 without Mudflap</b>	C
	2090059	Ref	<b>Fender Assembly T350 with Mudflap</b>	C
	2090051	Ref	<b>Fender Assembly T500J without Mudflap</b>	D
	2090057	Ref	<b>Fender Assembly T500J with Mudflap</b>	B
		Ref	<b>Note: Front/Rear and Left/Right are determined by facing the Tow Vehicle.</b>	
		Ref	<b>Note: All assembly components are identical between models. Bracket located inside fender on T350. Bracket located outside fender for T500J.</b>	
201	0903112	1	Bracket, Fender	
202		Ref	Fender Options:	

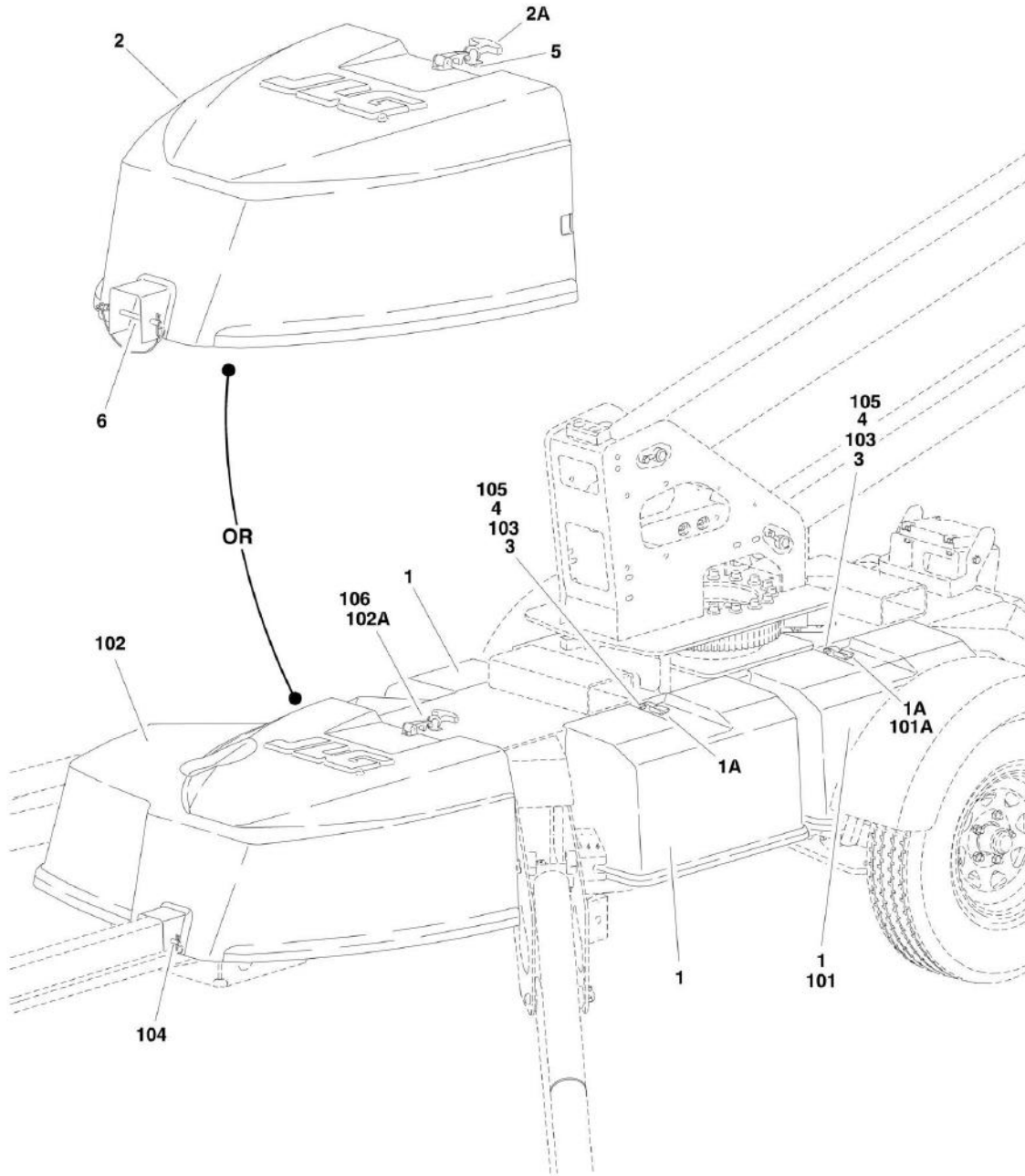
## SECTION 1 - FRAME

ITEM	PART NUMBER	QTY	DESCRIPTION	REV
202	2090043	1	Without Mudflap	
202	2090055	1	With Mudflap (Not Shown)	
203	3311405	6	Locknut 1/4in-20NC	
204	0641414	6	Bolt 1/4in-20NC x 1-3/4in	
205	4740362	6	Washer, Fender 1/4in	
206	4751400	6	Flatwasher 1/4in Wide	



# SECTION 1 - FRAME

## FIGURE 1-33. FRAME COVERS INSTALLATION





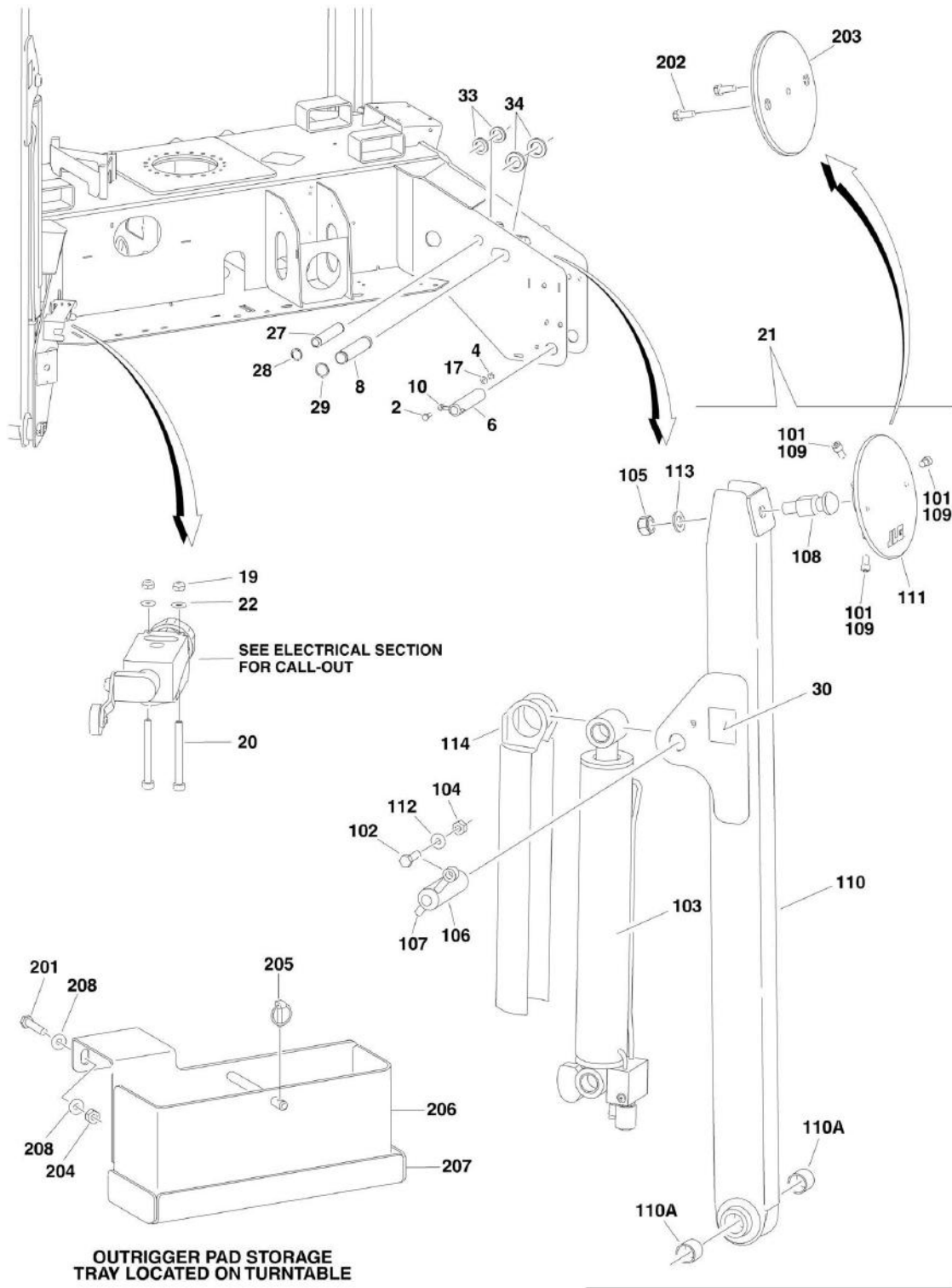
## SECTION 1 - FRAME

### FIGURE 1-33. FRAME COVERS INSTALLATION

ITEM	PART NUMBER	QTY	DESCRIPTION	REV
		Ref	<b>FRAME COVERS INSTALLATION (ELECTRIC POWERED MACHINES)</b>	
	0273606	Ref	<b>Frame Covers Installation T350</b>	D
	0274338	Ref	<b>Frame Covers Installation T500J</b>	B
1		Ref	Module/Battery Cover Assembly Options:	
1	1671147	3	Module/Battery Cover Assembly (Not Shown) <b>(Prior to SN 0030000151)</b>	C
1	1671211	3	Module/Battery Cover Assembly <b>(SN 0030000151 through 0030012032)</b>	A
1A	2940157	3	Latch (1 Per Assembly) (Fits All Machines)	
2		Ref	Pump Cover Assembly Options:	
2	1671148	1	Pump Cover Assembly T350	I
2	1671187	1	Pump Cover Assembly T500J	C
2A	2940095	1	Latch	
3		Ref	Latch, Keeper Options:	
3	2940158	3	Latch Keeper (Not Shown) <b>(Prior to SN 0030000151)</b>	
3	2940178	3	Latch Keeper <b>(SN 0030000151 through 0030012032)</b>	
4	3820017	6	Rivet	
5	3820020	2	Rivet	
6	3423159	1	Pin, Hitch (Includes Cotter Pin)	
		Ref	<b>FRAME COVERS INSTALLATION (GAS POWERED MACHINES)</b>	
	0273607	Ref	<b>Frame Covers Installation T350</b>	C
	0274339	Ref	<b>Frame Covers Installation T500J</b>	B
101		Ref	Module/Battery Cover Assembly Options:	
101	1671147	1	Module/Battery Cover Assembly (Not Shown) <b>(Prior to SN 0030000151)</b>	C
101	1671211	1	Module/Battery Cover Assembly <b>(SN 0030000151 through 0030012032)</b>	A
101A	2940157	1	Latch (1 Per Assembly) (Fits All Machines)	
102		Ref	Pump Cover Assembly	
102	1671160	1	Pump Cover Assembly T350	I
102	1671189	1	Pump Cover Assembly T500J	D
102A	2940095	1	Latch	
103		Ref	Latch, Keeper Options:	
103	2940158	1	Latch Keeper (Not Shown) <b>(Prior to SN 0030000151)</b>	
103	2940178	1	Latch Keeper <b>(SN 0030000151 through 0030012032)</b>	
104	3423159	1	Pin, Hitch (Includes Cotter Pin)	
105	3820017	2	Rivet	
106	3820020	2	Rivet	

# SECTION 1 - FRAME

## FIGURE 1-34. OUTRIGGERS INSTALLATION



# SECTION 1 - FRAME

## FIGURE 1-34. OUTRIGGERS INSTALLATION

ITEM	PART NUMBER	QTY	DESCRIPTION	REV
		Ref	<b>OUTRIGGER INSTALLATION</b>	
	0273712	Ref	<b>Outrigger Installation T350 ANSI and ANSI Export Specs</b>	G
	0274375	Ref	<b>Outrigger Installation T350 Australian and CE Specs</b>	B
	0273715	Ref	<b>Outrigger Installation T500J ANSI and ANSI Export Specs</b>	I
	0274321	Ref	<b>Outrigger Installation T500J Australian and CE Specs</b>	D
2	0701014	4	Bolt 10mm x 30mm	
4		Ref	Locknut 10mm	
6		Ref	Pin Options:	
6	3422426	4	Pin T350	
6	3421986	4	Pin T500J	
8		Ref	Pin Options:	
8	3423148	4	Pin T350	
8	3423147	4	Pin T500J	
10	3841143	4	Keeper, Pin	
17	4812000	4	Flatwasher 10mm	
19	3290405	8	Locknut 4mm	
20	4031512	8	Capscrew 4mm x 40mm	
21		Ref	Outrigger Sub-Assembly (See Items 101-114 for Breakdown)	
21	4210012	4	Outrigger Sub-Assembly T350 ANSI and ANSI Export Specs	
21	4210019	4	Outrigger Sub-Assembly T350 Australian and CE Specs	
21	4210013	4	Outrigger Sub-Assembly T500J ANSI and ANSI Export Specs <b>(Prior to SN 0030000236)</b>	
21	4210025	4	Outrigger Sub-Assembly T500J ANSI and ANSI Export Specs <b>(SN 0030000236 through 0030012032)</b>	
21	4210016	4	Outrigger Sub-Assembly T500J Australian and CE Specs <b>(Prior to SN 0030000236)</b>	
21	4210027	4	Outrigger Sub-Assembly T500J Australian and CE Specs <b>(SN 0030000236 through 0030012032)</b>	
22	4811400	8	Flatwasher 4mm	
27		Ref	Pin Options:	
27	3423185	4	Pin T350	
27	3423186	4	Pin T500J	
28		Ref	Ring, Retaining Options:	
28	3760115	8	Ring, Retaining T350	
28	3760133	8	Ring, Retaining T500J	
29		Ref	Ring, Retaining Options:	
29	3760115	8	Ring, Retaining T350	
29	3760237	8	Ring, Retaining T500J	
30		Ref	Decal - Pad Load Options:	
30	1706121	4	Decal - Pad Load T350	
30	1706264	4	Decal - Pad Load T500J	
33	4740446	8	Thrustwasher, Oilite	
34	4740333	8	Thrustwasher, Oilite	
		Ref	<b>OUTRIGGER SUB-ASSEMBLY</b>	
	4210012	Ref	<b>Outrigger Sub-Assembly T350 ANSI and ANSI Export Specs</b>	G
	4210019	Ref	<b>Outrigger Sub-Assembly T350 Australian and CE Specs</b>	E
	4210013	Ref	<b>Outrigger Sub-Assembly T500J ANSI and ANSI Export Specs (Prior to SN 0030000236)</b>	F
	4210025	Ref	<b>Outrigger Sub-Assembly T500J ANSI and ANSI Export Specs (SN 0030000236 through 0030012032)</b>	C
	4210016	Ref	<b>Outrigger Sub-Assembly T500J Australian and CE Specs</b>	C

## SECTION 1 - FRAME

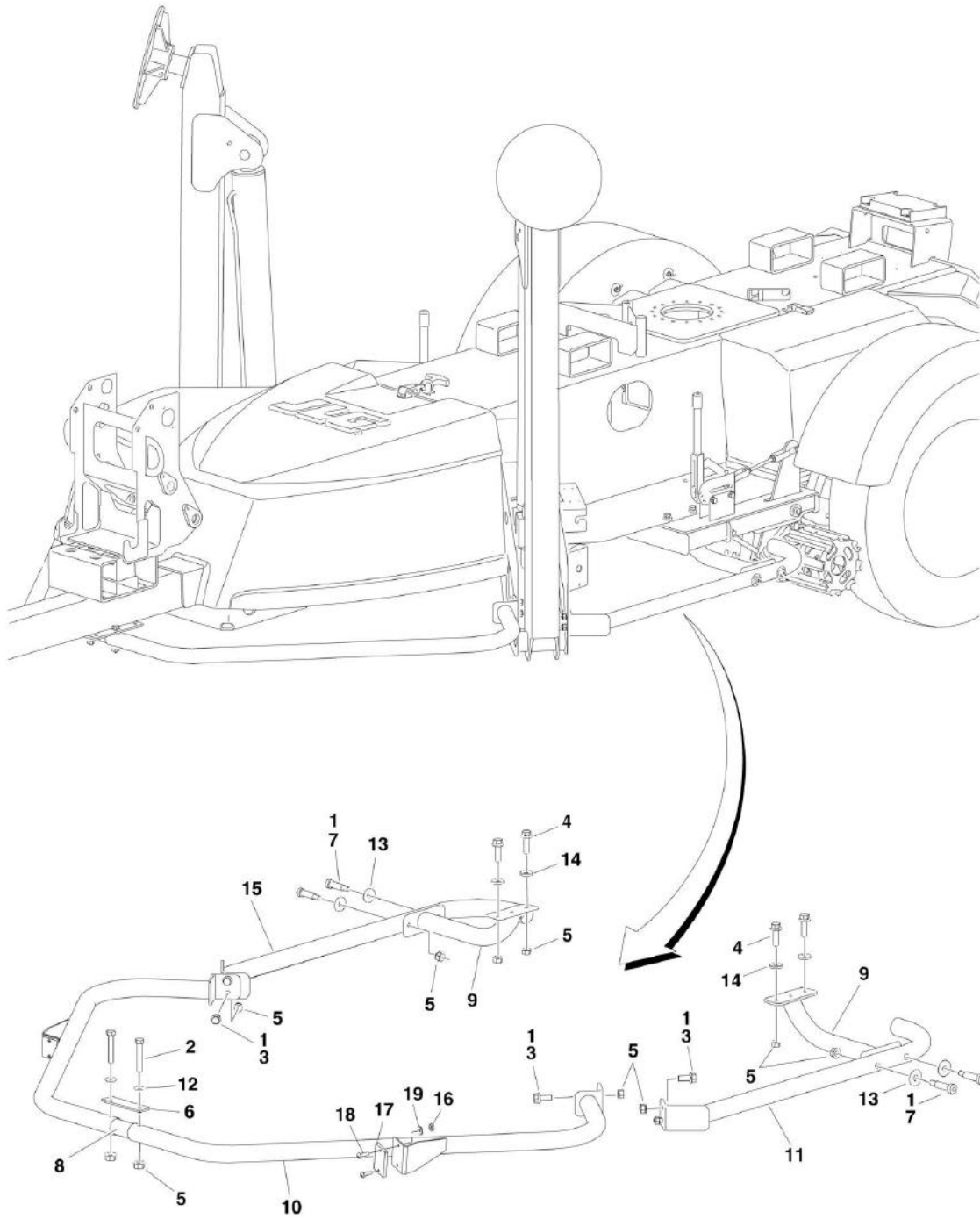
ITEM	PART NUMBER	QTY	DESCRIPTION	REV
	4210027	Ref	<b>(Prior to SN 0030000236)</b> <b>Outrigger Sub-Assembly T500J Australian and CE Specs (SN 0030000236 through 0030012032)</b>	D
		Ref	<b>Note: Qtys shown are for one sub-assembly. Four sub-assemblies required per machine.</b>	
101	0100011	AR	Compound, Locking	
102		Ref	Bolt Options:	
102	0701014	1	Bolt 10mm x 30mm (T350)	
102	0701216	1	Bolt 12mm x 40mm (T500J)	
103		Ref	Cylinder Assembly Options (See CYLINDER SECTION for Breakdown):	
103	1684442	1	Cylinder Assembly <b>(T350 SN 0030000100 through 0030012032)</b>	
103	1684429	1	Cylinder Assembly (Use p/n 1684442) <b>(T350 Prior to SN 0030000100)</b>	
103	1684443	1	Cylinder Assembly <b>(T500J SN 0030000010 through 0030012032)</b>	
103	1684431	1	Cylinder Assembly (Use p/n 1684443) <b>(T500J Prior to SN 0030000010)</b>	
104		Ref	Locknut Options:	
104	3291007	1	Locknut 10mm (T350)	
104	3291207	1	Locknut 12mm (T500J)	
105	3292405	1	Locknut 24mm	
106		Ref	Pin Options:	
106	3422429	1	Pin T350	
106	3423146	1	Pin T500J	
107		Ref	Keeper, Pin Options:	
107	3841143	1	Keeper, Pin T350	
107	3841203	1	Keeper, Pin T500J	
108	3841655	1	Rod, Pad Mounting	
109		Ref	Capscrew 1/2in-13NC x 1in	
109	3900321	3	Capscrew (Use p/n 3931816) <b>(Prior to SN 0030000824)</b>	
109	3931816	3	Capscrew <b>(SN 0030000824 through 0030012032)</b>	
110		Ref	Stabilizer Weldment Options:	
110	4210006	1	Stabilizer Weldment T350 ANSI and ANSI Export Specs	
110	4210018	1	Stabilizer Weldment T350 Australian and CE Specs	
110	4210005	1	Stabilizer Weldment T500J ANSI and ANSI Export Specs <b>(Prior to SN 0030000236)</b>	
110	4210024	1	Stabilizer Weldment T500J ANSI and ANSI Export Specs <b>(SN 0030000236 through 0030012032)</b>	
110	4210015	1	Stabilizer Weldment T500J Australian and CE Specs <b>(Prior to SN 0030000236)</b>	
110	4210026	1	Stabilizer Weldment T500J Australian and CE Specs <b>(SN 0030000236 through 0030012032)</b>	
110A		Ref	Bushing Options:	
110A	0962356	2	Bushing T350	
110A	0962272	2	Bushing T500J	
111	4220207	1	Pad, Outrigger	
112		Ref	Flatwasher Options:	
112	4812000	1	Flatwasher 10mm (T350)	
112	4812100	1	Flatwasher 12mm (T500J)	
113	4812700	1	Flatwasher 24mm	
114		Ref	Cover, Outrigger Options:	
114	1671172	1	Cover, Outrigger T350	

## SECTION 1 - FRAME

ITEM	PART NUMBER	QTY	DESCRIPTION	REV
114	1671171	1	Cover, Outrigger T500J	C
	0274293	Ref	<b>NON-MARKING OUTRIGGER PAD INSTALLATION (OPTIONAL)</b>	
201	0641612	2	Bolt 3/8in-16NC x 1-1/2in	
202	0811606	8	Screw 3/8in-16NC x 3/4in	
203	1671185	4	Cover, Outrigger Pad	
204	3311605	2	Locknut 3/8in-16NC	
205	3421970	1	Snap-Pin	
206	3575790	1	Cover, Storage Box	
207		Ref	Tray, Storage Options:	
207	4341010	1	Tray, Storage (Use p/n 1001094614) <b>(Prior to SN 0030002747)</b>	
207	4341424	1	Tray, Storage (Use p/n 1001094614) <b>(Prior to SN 0030002747)</b>	
207	1001094614	1	Tray, Storage <b>(SN 0030002747 through 0030012032)</b>	
208	4711600	4	Flatwasher 3/8in Thin	

# SECTION 1 - FRAME

## FIGURE 1-35. SIDE GUARDS INSTALLATION



# SECTION 1 - FRAME

## FIGURE 1-35. SIDE GUARDS INSTALLATION

ITEM	PART NUMBER	QTY	DESCRIPTION	REV
		Ref	<b>SIDE GUARDS INSTALLATION (CE AND AUSTRALIAN SPECS)</b>	
	0273680	Ref	<b>Side Guards Installation T350 All Specs</b>	E
	0274773	Ref	<b>Side Guards Installation T500J Australian Specs</b>	C
	0274384	Ref	<b>Side Guards Installation T500J CE Specs</b>	B
1	0100011	AR	Compound, Locking	
2		Ref	Bolt 3/8in-16NC Options:	
2	0681624	2	Bolt 3/8in-16NC T350 (3in Length) <b>(Prior to SN 0030003085)</b>	
2	0681622	2	Bolt 3/8in-16NC T350 (2-3/4in Length) <b>(SN 0030003085 through 0030012032)</b>	
2	0681660	2	Bolt 3/8in-16NC T500J (7 1/2 Length)	
3	0811607	8	Screw 3/8in-16NC x 7/8in	
4	0811610	4	Screw 3/8in-16NC x 1-1/4in	
5	3311608	18	Nut, Flanged 3/8in-16NC	
6		Ref	Bar Options:	
6	Not Required	0	Bar T350	
6	3575786	1	Bar T500J	
7	3900270	4	Bolt, Shoulder 1/2in-13NC x 1-1/2in	
8	4341009	1	Mount, Tube	
9		Ref	Support, Guard Options:	
9	4569194	2	Support, Guard T350	
9	4569195	2	Support, Guard T500J	
10		Ref	Guard (Tongue to O/R) Options:	
10	4569188	2	Guard T350	
10	4569197	2	Guard T500J	
11		Ref	Guard (O/R to Fender)	
11	4569192	1	Guard <b>(T350 Prior to SN 0030001529)</b>	
11	4569400	1	Guard <b>(T350 SN 0030001529 through 0030012032)</b>	
11	4569405	1	Guard T500J Australian Spec	
11	4569199	1	Guard T500J CE Spec <b>(Prior to SN 0030001444)</b>	
11	4569392	1	Guard T500J CE Spec <b>(SN 0030001444 through 0030012032)</b>	
12	4711600	2	Flatwasher 3/8in Thin	
13	4751700	4	Flatwasher 7/16in Regular	
14	4891600	4	Flatwasher 3/8in Hardened	
15		Ref	Guard (O/R to Fender)	
15	4569192	1	Guard <b>(T350 Prior to SN 0030001529)</b>	
15	4569398	1	Guard <b>(T350 SN 0030001529 through 0030012032)</b>	
15	4569407	1	Guard T500J Australian Spec	
15	4569199	1	Guard T500J CE Spec <b>(Prior to SN 0030001444)</b>	
15	4569390	1	Guard T500J CE Spec <b>(SN 0030001444 through 0030012032)</b>	
16	3311005	4	Lock Nut, 10-24 <b>(SN 0030009190 through 0030012032)</b>	
17	3700014	2	Reflector <b>(SN 0030009190 through 0030012032)</b>	
18	3911010	4	Screw, 10-24 x 5/8in <b>(SN 0030009190 through 0030012032)</b>	
19	4751000	AR	Flatwasher #10 Wide <b>(SN 0030009190 through 0030012032)</b>	

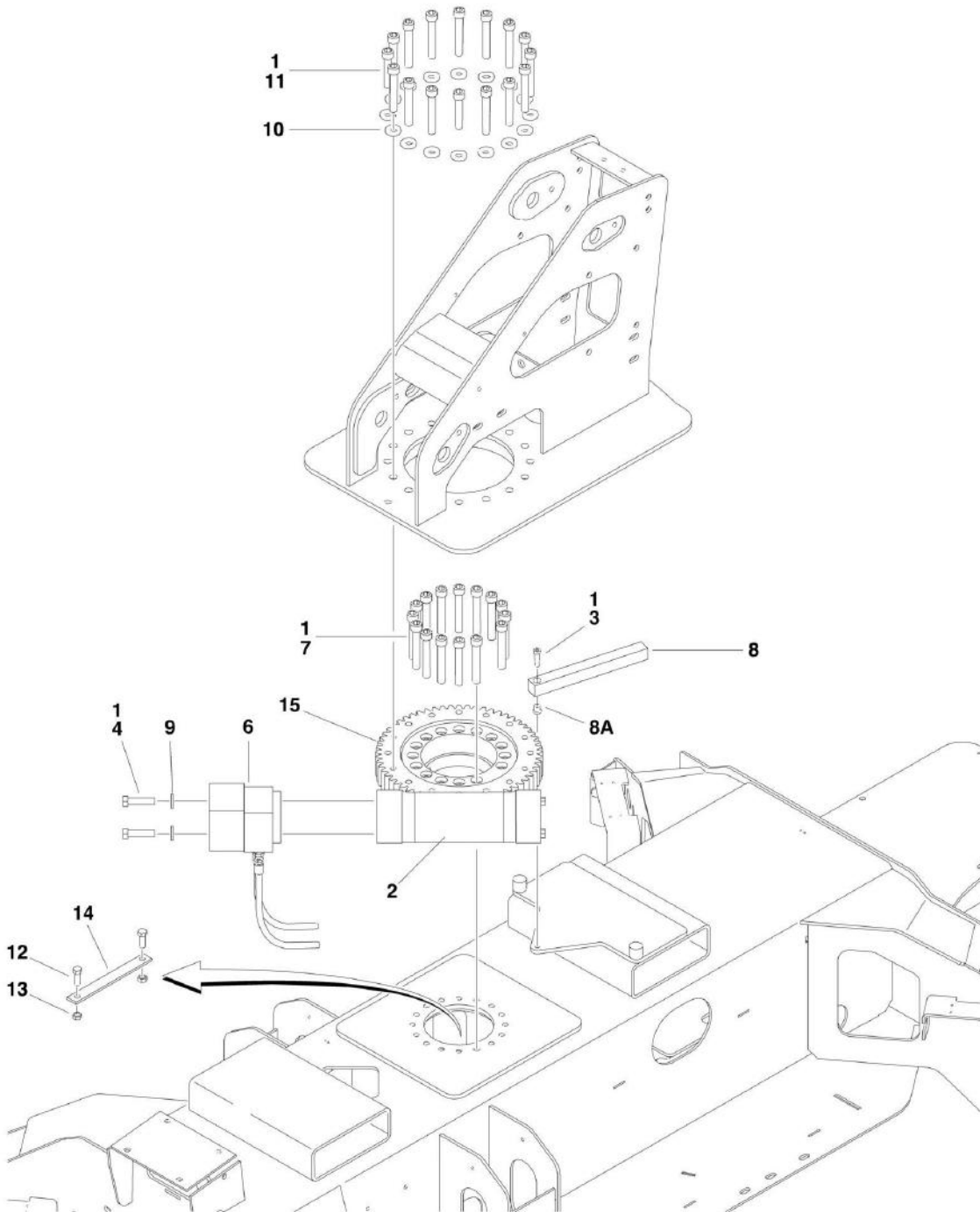




**SECTION 2 - TURNTABLE**

# SECTION 2 - TURNTABLE

## FIGURE 2-1. SWING DRIVE AND TURNTABLE BEARING INSTALLATIONS



**SECTION 2 - TURNTABLE**

**FIGURE 2-1. SWING DRIVE AND TURNTABLE BEARING INSTALLATIONS**

ITEM	PART NUMBER	QTY	DESCRIPTION	REV
		Ref	<b>SWING DRIVE AND TURNTABLE BEARING INSTALLATION</b>	
	0273612	Ref	<b>Swing Drive and Turntable Bearing Installation T350 (Perfection Gear Dohi Version)</b>	H
	1001153360	Ref	<b>Swing Drive and Turntable Bearing Installation T350 (Perfection Gear Jing Wei Version)</b>	B
	0273613	Ref	<b>Swing Drive and Turntable Bearing Installation T500J (Perfection Gear Dohi Version)</b>	H
	1001153363	Ref	<b>Swing Drive and Turntable Bearing Installation T500J (Perfection Gear Jing Wei Version)</b>	B
1	0100019	AR	Compound, Locking	
2		Ref	Turntable Bearing Assembly Options (See TURNTABLE BEARING ASSEMBLY for Breakdown):	
2		Ref	Turntable Bearing Assembly T350	
2	0440285	1	Perfection Gear Dohi Version (Original Equipment) (Use p/n 1001160525)	
2	1001160525	1	Perfection Gear Jing Wei Version (Service Replacement Kit Includes Items Bearing, 4, 7, 9, 10 & 11)	
2	1001153011	1	Perfection Gear Jing Wei Version	
		Ref	<b>Note: Original Equipment bearing p/n 0400285 may have been replaced with Service Replacement Bearing Kit p/n 1001160525. Visually identify the p/n tag on bearing before ordering parts.</b>	
2		Ref	Turntable Bearing Assembly T500J	
2	0440286	1	Perfection Gear Dohi Version (Use p/n 1001160526)	
2	1001153014	1	Perfection Gear Jing Wei Version	
3	0630183	1	Screw 3/8in-16NC x 1in	
4	0681816	2	Bolt 1/2in-13NC x 2in (Grade 8)	
6		Ref	Swing Motor Assembly Options:	
6	3160182	1	Swing Motor Assembly (Use p/n 3160331) (See SWING DRIVE MOTOR ASSEMBLY (WHITE) for Breakdown.) <b>(Prior to SN 003000641)</b>	
6	3160331	1	Swing Motor Assembly (Used either p/n 3160182 or p/n 3160331) <b>(SN 003000642 through 0030001050)</b>	
6	3160331	1	Swing Motor Assembly (See SWING DRIVE MOTOR ASSEMBLY (PARKER) for Breakdown.) <b>(SN 0030001051 through 0030012032)</b>	
		Ref	<b>Note: Original Equipment motor p/n 3160182 may have been replaced with Service Replacement motor p/n 3160331. Visually identify the motor before ordering parts.</b>	
7	3900360	Ref	Capscrew 14mm x 90mm	
7	3900360	15	Capscrew T350	
7	3900360	19	Capscrew T500J	
8		Ref	Arm, Swing Options:	
8	4220204	1	Arm, Swing (Use p/n 4220255) <b>(Prior to SN 0030000151)</b>	
8	4220255	1	Arm, Swing <b>(SN 0030000151 through 0030012032)</b>	
8A	0962447	1	Bushing, Flanged	
9	4740171	2	Flatwasher, Hardened	
10	4891900	16	Flatwasher 9/16in Hardened	
11		Ref	Capscrew Options:	
11	3900368	2	Capscrew (14mm x 70mm) T350	
11	3900360	14	Capscrew (14mm x 90mm) T350	
11	3900360	16	Capscrew (14mm x 90mm) T500J	
12	0641608	2	Bolt 3/8in-16NC x 1in	

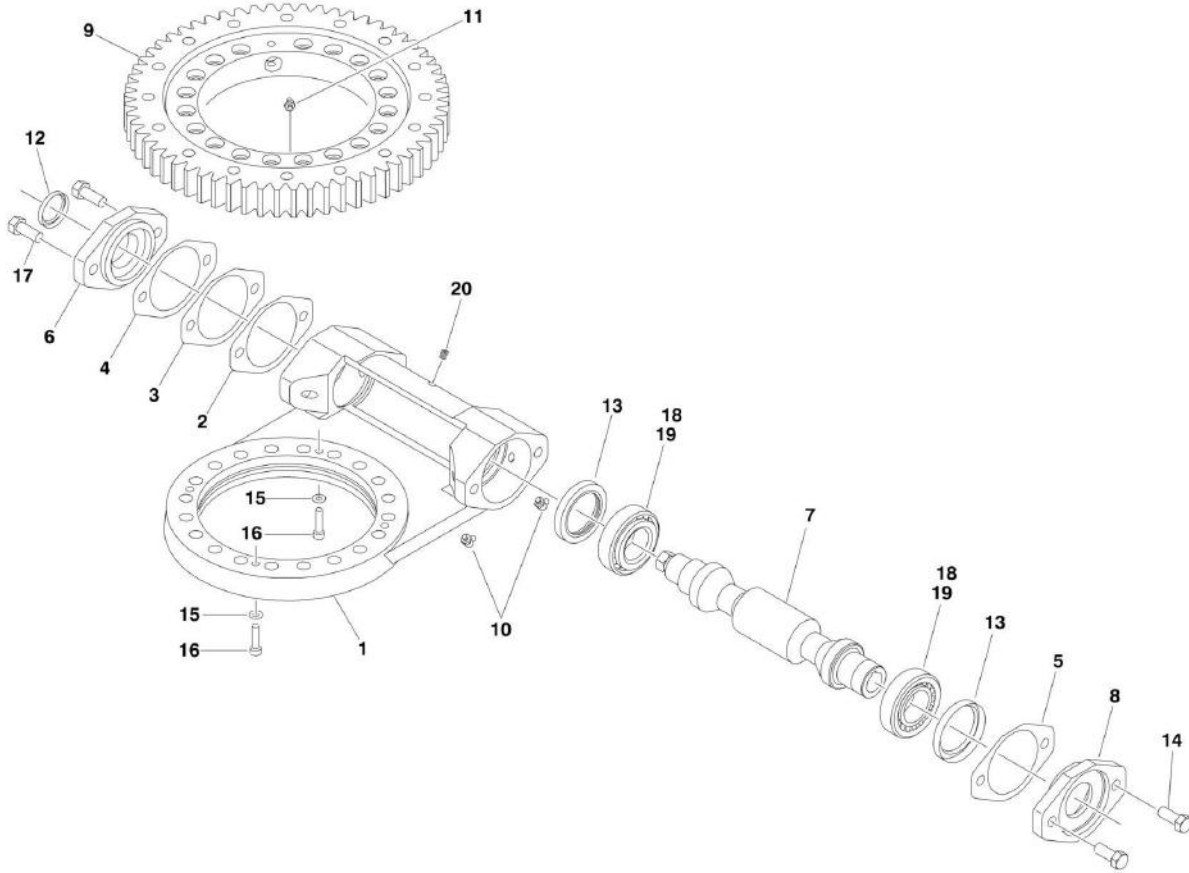
## SECTION 2 - TURNTABLE

ITEM	PART NUMBER	QTY	DESCRIPTION	REV
13	3311608	2	Nut, Flanged 3/8in-16NC	
14	4240173	1	Strap, Hose	
15	3020027	AR	Lube (5 gal bucket) <b>(Prior to SN 0030006049)</b>	
	70010724	AR	Lube (14 oz tube)	
		Ref	<b>TURNTABLE WELDMENT</b>	
	4620147	Ref	<b>Turntable Weldment T350</b>	
	4620148	Ref	<b>Turntable Weldment T500J</b>	



# SECTION 2 - TURNTABLE

## FIGURE 2-2. TURNTABLE BEARING ASSEMBLY



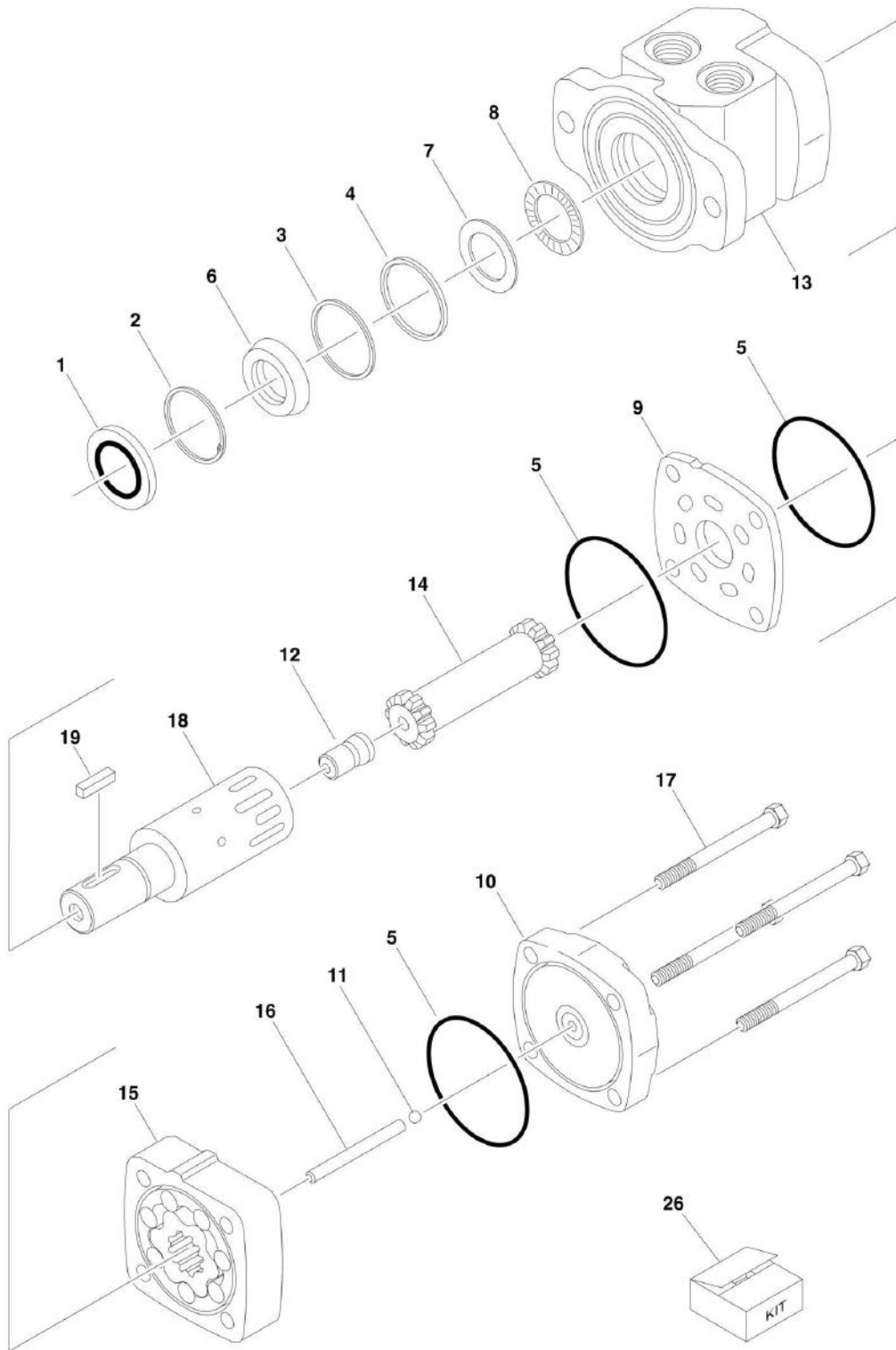
## SECTION 2 - TURNTABLE

### FIGURE 2-2. TURNTABLE BEARING ASSEMBLY

ITEM	PART NUMBER	QTY	DESCRIPTION	REV
		Ref	<b>TURNTABLE BEARING ASSEMBLY</b>	
	0440285	Ref	<b>Turntable Bearing Assembly T350 (Perfection Gear Dohi Version)</b>	J
	1001153011	Ref	<b>Turntable Bearing Assembly T350 (Perfection Gear Jing Wei Version)</b>	C
	0440286	Ref	<b>Turntable Bearing Assembly T500J (Perfection Gear Dohi Version)</b>	K
	1001153014	Ref	<b>Turntable Bearing Assembly T500J (Perfection Gear Jing Wei Version)</b>	B
1	See Note	1	Housing (Note: Not Available - Purchase Complete Bearing Assembly)	
2	7027350	AR	Gasket (Blue.005)	
3	7027351	AR	Gasket (Clear.0075)	
4	7027352	AR	Gasket (Brown.010)	
5	7027353	AR	Gasket (Yellow.020)	
6	7027354	1	Cap	
7		Ref	Shaft, Worm Drive Options:	
7	7027355	1	Shaft, Worm Drive T350	
7	7027363	1	Shaft, Worm Drive T500J	
8	7027356	1	Adapter, Motor	
9		Ref	Bearing, Slew	
9	7027357	1	Bearing, Slew T350 (Perfection Gear Dohi Version)	
9	70004156	1	Bearing, Slew T350 (Perfection Gear Jing Wei Version)	
9	7027364	1	Bearing, Slew T500J (Perfection Gear Dohi Version)	
9	70004157	1	Bearing, Slew T500J (Perfection Gear Jing Wei Version)	
10	7027358	3	Fitting, Grease - Elbow	
11	See Note	1	Fitting, Grease - Straight (was p/n 7027359 or 7027358) (Note: Not Available - Purchase Locally)	
12	7027360	1	Seal	
13	7027361	1	Seal	
14		Ref	Bolt 1/2in-13NC Options:	
14	0641808	2	Bolt 1/2in-13NC T350 (1in Length)	
14	0641810	2	Bolt 1/2in-13NC T500J (1-1/4in Length)	
15	4751500	2	Flatwasher 5/16in Regular	
16		Ref	Capscrew Options:	
16	70000864	2	Capscrew T350 (Capscrew 1/4in-20NC x 1-1/8in)	
16	88212228	2	Capscrew T500J (Capscrew 5/16in-18NC x 1-1/4in)	
17	0681812	2	Bolt 1/2in-13NC x 1-1/2in (Grade 8)	
18	7026042	2	Cup, Bearing	
19	7026043	2	Cone, Bearing	
20	See Note	1	Plug (Note: Not Available - Purchase Locally)	

# SECTION 2 - TURNTABLE

## FIGURE 2-3. SWING DRIVE MOTOR ASSEMBLY (WHITE)





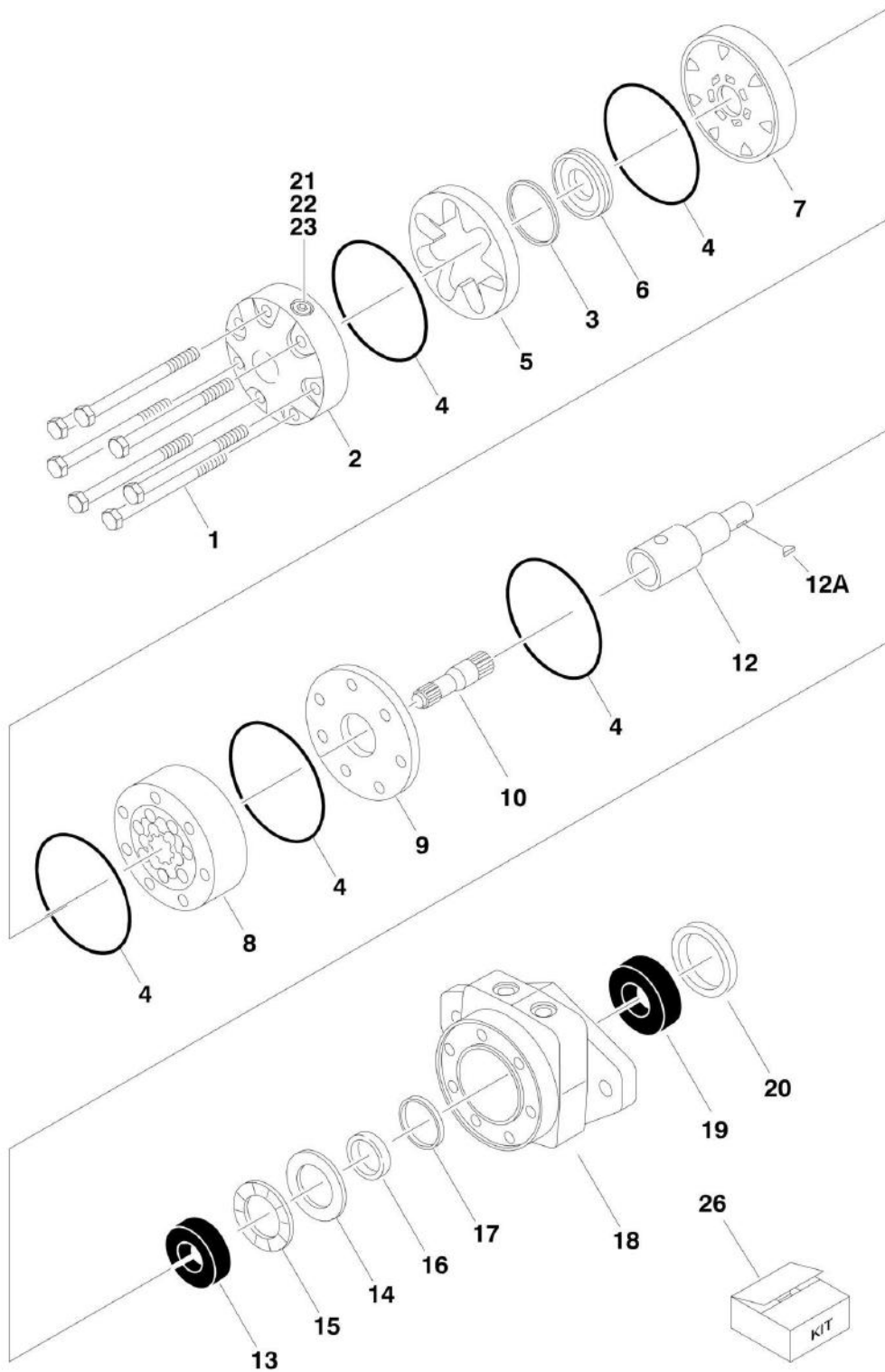
**SECTION 2 - TURNTABLE**

**FIGURE 2-3. SWING DRIVE MOTOR ASSEMBLY (WHITE)**

ITEM	PART NUMBER	QTY	DESCRIPTION	REV
	3160182	Ref	<b>SWING MOTOR ASSEMBLY</b>	C
		Ref	<b>Swing Motor Usage Chart:</b>	
		Ref	<b>Swing Motor Usage Chart: used p/n 3160182 unless replaced. (Prior to SN 00300064)</b>	
		Ref	<b>Swing Motor Usage Chart: Used either p/n 3160182 or 3160331 (SN 003000642 through 0030001050)</b>	
		Ref	<b>Swing Motor Usage Chart: Used p/n 3160331 (SN 0030001051 through 0030012032)</b>	
1	7005881	1	Seal, Dust	
2	7005881	1	Ring, Retainer	
3	7005881	1	Shim, Back-Up	
4	7005881	1	Seal, Housing	
5	7005881	3	Seal, Body	
6	7005881	1	Seal, Shaft	
6	7005881	1	Ring, Teflon Back-up	
6	7005881	1	Shim, Back-Up	
7	7016417	1	Thrustwasher	
8	7005809	1	Bearing, Thrust	
9	7005812	1	Plate, Wear	
10	7005874	1	Cover, End	
11	7005874	AR	Ball (Part of Item 10)	
12	7005876	1	Plug, Cooling	
13	7005804	1	Housing	
14	7005811	1	Link, Drive	
15	7005877	1	Rotor Set Assembly	
16	7005878	AR	Pin, Drive Link	
17	7005821	4	Bolt	
18	7005879	1	Shaft	
19	7005880	1	Key	
26	7005881	1	Seal Kit (Includes Items 1-6)	

## SECTION 2 - TURNTABLE

FIGURE 2-4. SWING DRIVE MOTOR ASSEMBLY (PARKER)



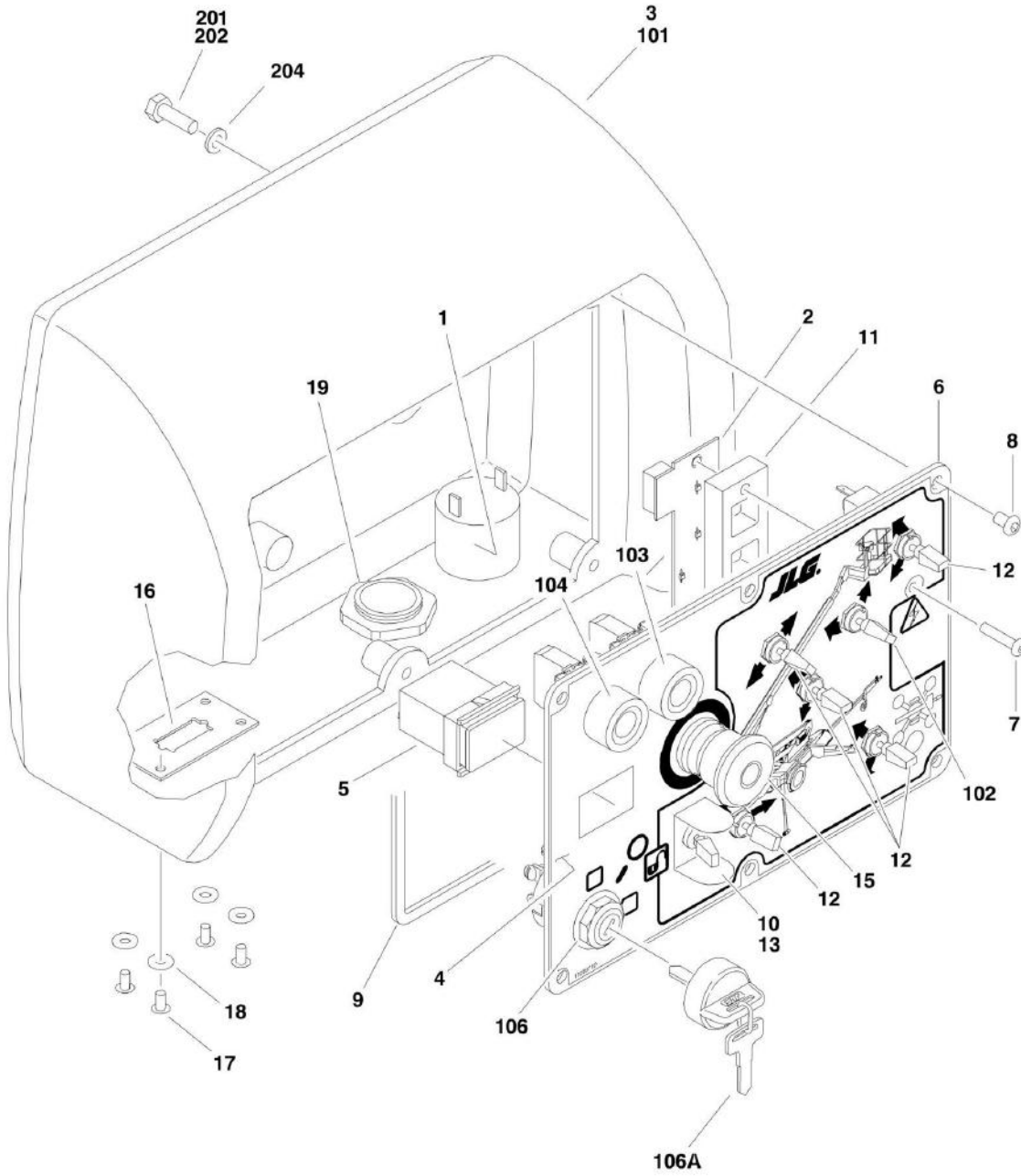
**SECTION 2 - TURNTABLE**

**FIGURE 2-4. SWING DRIVE MOTOR ASSEMBLY (PARKER)**

ITEM	PART NUMBER	QTY	DESCRIPTION	REV
	3160331	Ref	<b>SWING DRIVE MOTOR ASSEMBLY</b>	B
		Ref	<b>Swing Motor Usage Chart:</b>	
		Ref	<b>Swing Motor Usage Chart: used p/n 3160182 unless replaced. (Prior to SN 00300064)</b>	
		Ref	<b>Swing Motor Usage Chart: Used either p/n 3160182 or 3160331 (SN 003000642 through 0030001050)</b>	
		Ref	<b>Swing Motor Usage Chart: Used p/n 3160331 (SN 0030001051 through 0030012032)</b>	
1	7024382	7	Bolt	
2	7004035	1	Cover	
3	7024396	1	Seal, Commutator	
4	7024396	5	Ring, Seal	
5	7024453	1	Commutator (Includes Item 6)	
6	7024453	1	Ring, Commutator (Includes Item 5)	
7	7024379	1	Manifold	
8	7024383	1	Rotor Set	
9	7024380	1	Plate, Wear	
10	7024384	1	Link, Drive	
12	70000088	1	Shaft	
12A	70000089	1	Key, Shaft	
13	7024381	1	Bearing, Inner	
14	7004043	1	Thrustwasher	
15	7004044	1	Bearing, Thrust	
16	7024396	1	Seal, Inner	
17	7024396	1	Washer, Backup	
18	80234299	1	Housing	
19	7024390	1	Bearing, Outer	
20	7024396		Seal, Dirt and Water	
21	7010795	2	Plug (Includes O-Ring)	
22	7024387	2	O-Ring	
23	7024388	2	Spring	
26	7024396	1	Seal Kit (Includes Items 3, 4, 16, 17 & 20)	

# SECTION 2 - TURNTABLE

## FIGURE 2-5. GROUND CONTROL BOX ASSEMBLY AND INSTALLATION



## SECTION 2 - TURNTABLE

**FIGURE 2-5. GROUND CONTROL BOX ASSEMBLY AND INSTALLATION**

ITEM	PART NUMBER	QTY	DESCRIPTION	REV
	0861648	Ref	<b>GROUND CONTROL BOX ASSEMBLY (COMMON PARTS)</b>	L
1	0140011	1	Alarm	
2	0610170	1	PC Board	
3	0861647	1	Box	
4	1705971	1	Decal	
5	2420172	1	Hourmeter	
6	3575358	1	Plate, Switch Mounting	
7	3900352	2	Screw, Button Head 5mm x 25mm	
8	3900358	6	Screw, Button Head 6mm x 10mm	
9	3960587	1	Seal	
10	4060906	1	Guard, Switch	
11	4220210	1	Block, PC Board Mounting	
12	4360328	5	Switch, Toggle	
13	4360330	1	Switch, Toggle	
15		Ref	Switch, Emergency Stop	
15	4360475	1	Cap, Replacement	
15	7020175	1	Block, Replacement Contact	
15	7020176	1	Plate, Plug Mounting	
16	3575623	1	Rivet	
17	3820020	4	Flatwasher #10 Thin	
18	4711000	4	Connector, Strain Relief	
19	4460426	1	Connector, Strain Relief <b>(Prior to SN 0030009593)</b>	
19	4460386	1	Connector, Strain Relief <b>(SN 0030009593 through 0030011022)</b>	
		Ref	<b>GROUND CONTROL BOX ASSEMBLY (OPTIONAL PARTS)</b>	
		Ref	<b>Ground Control Box Assembly (Optional Parts) T350 Models</b>	
	0861663	Ref	<b>Electric Powered Machines (ANSI and ANSI Export Specs)</b>	K
	0861671	Ref	<b>Electric Powered Machines (CE and Australian Specs)</b>	H
	0861661	Ref	<b>Gas Powered Machines (ANSI and ANSI Export Specs)</b>	K
	0861672	Ref	<b>Gas Powered Machines (CE and Australian Specs)</b>	H
		Ref	<b>Ground Control Box Assembly (Optional Parts) T500J Models</b>	
	0861662	Ref	<b>Electric Powered Machines (ANSI and ANSI Export Specs)</b>	K
	0861673	Ref	<b>Electric Powered Machines (CE and Australian Specs)</b>	H
	0861649	Ref	<b>Gas Powered Machines (ANSI and ANSI Export Specs) (Prior to SN 0030011022)</b>	J
	0861674	Ref	<b>Gas Powered Machines (CE and Australian Specs)</b>	H
101	0861648	1	Common Ground Control Box Assembly (See Items for 1-19 for Breakdown)	
102		Ref	Components Options:	
102	3520028	1	Plug, Hole (T350)	
102	4360328	1	Switch, Toggle (Jib) (T500J)	
103		Ref	Components Options:	
103	3520030	1	Plug, Hole (Electric Powered Machines)	
103	4360564	1	Switch, Push Button (Black) (Gas Powered Machines)	
104		Ref	Components Options:	
104	3520030	1	Plug, Hole (Electric Powered Machines)	
104	4360565	1	Switch, Push Button (Yellow) (Gas Powered Machines)	
105		Ref	Harness Options (Not Shown - See ELECTRICAL SECTION for Breakdown):	
105	4923118	1	Electric Powered Machines	

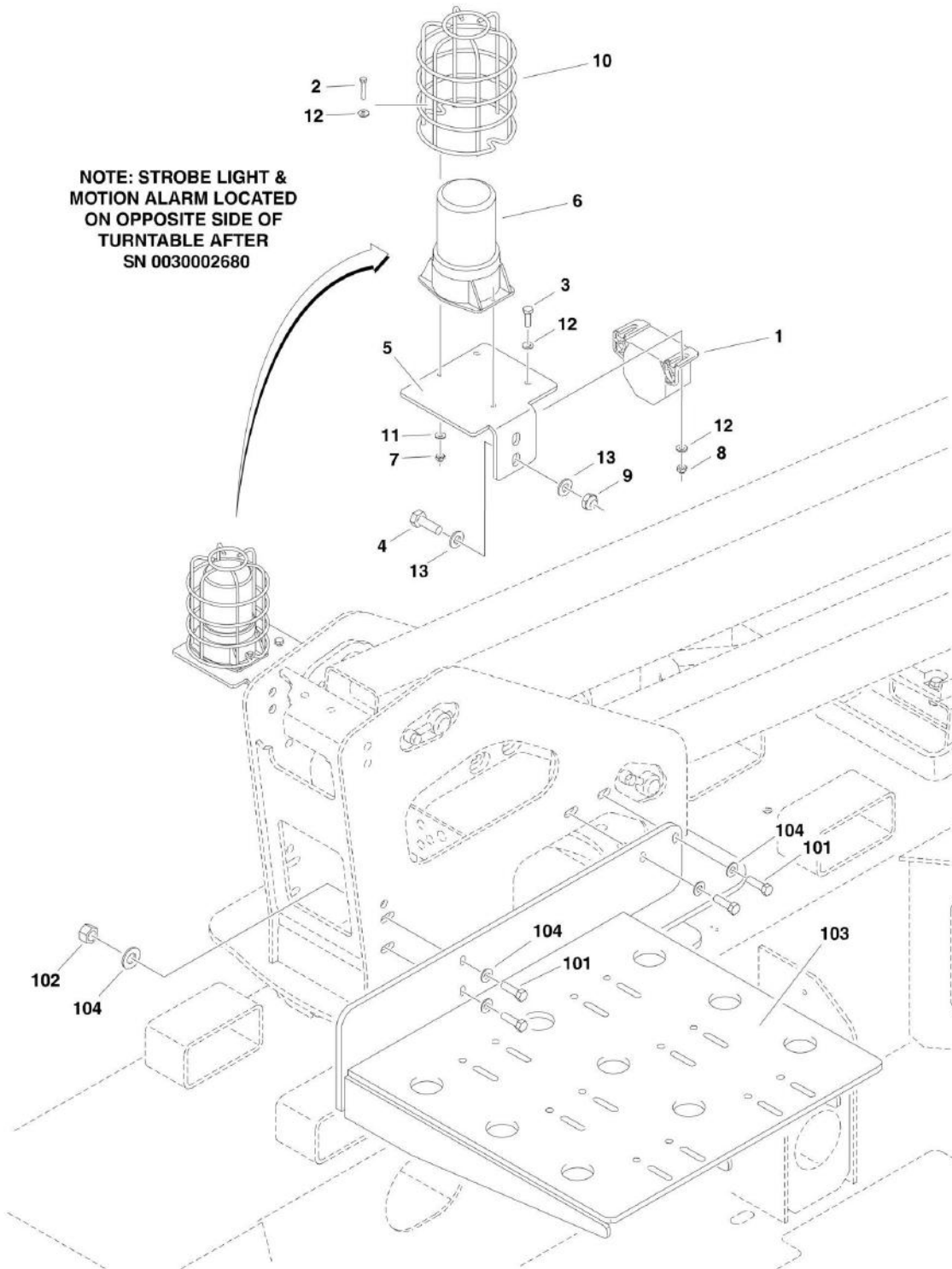
## SECTION 2 - TURNTABLE

ITEM	PART NUMBER	QTY	DESCRIPTION	REV
105	4923125	1	Gas Powered Machines	
106		Ref	Keyswitch Options:	
106	4360469	1	ANSI and ANSI Export Specs	
106	4360470	1	CE and Australian Specs	
106A	2860030	1 Set	Key, Replacement	
		Ref	<b>GROUND CONTROL BOX INSTALLATION</b>	
		Ref	<b>Ground Control Box Installation T350 Models</b>	
	0273615	Ref	<b>Electric Powered Machines (ANSI, ANSI Export and South Africa Specs)</b>	B
	0274111	Ref	<b>Electric Powered Machines (CE and Australian Specs)</b>	B
	0273960	Ref	<b>Gas Powered Machines (ANSI, ANSI Export and South Africa Specs)</b>	B
	0274112	Ref	<b>Gas Powered Machines (CE and Australian Specs)</b>	B
		Ref	<b>Ground Control Box Installation T500J Models</b>	
	0273961	Ref	<b>Electric Powered Machines (ANSI, ANSI Export and South Africa Specs)</b>	B
	0274113	Ref	<b>Electric Powered Machines (CE and Australian Specs)</b>	B
	0273962	Ref	<b>Gas Powered Machines (ANSI, ANSI Export and South Africa Specs)</b>	B
	0274114	Ref	<b>Gas Powered Machines (CE and Australian Specs)</b>	B
201	0100035	AR	Compound, Locking	
202	0761012	4	Bolt 10mm x 25mm	
204	4812000	4	Flatwasher 10mm	
205	4240175	1	Tie-Strap (Not Shown - Located Beneath Ground Control Box) <b>(SN 0030000700 through Only)</b>	



## SECTION 2 - TURNTABLE

FIGURE 2-6. TURNTABLE MOUNTED COMPONENTS (STROBE LIGHT, ALARM AND ACCESSORY TRAY)





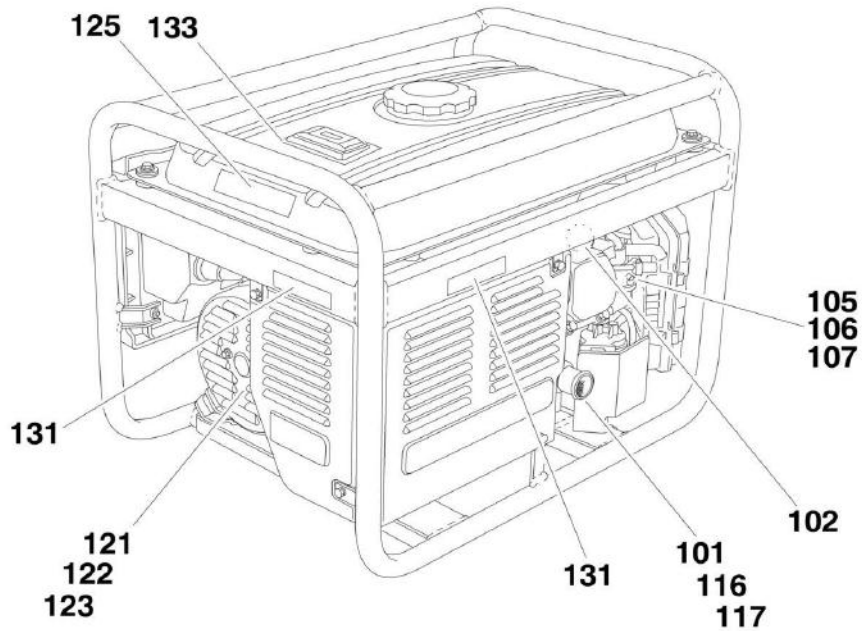
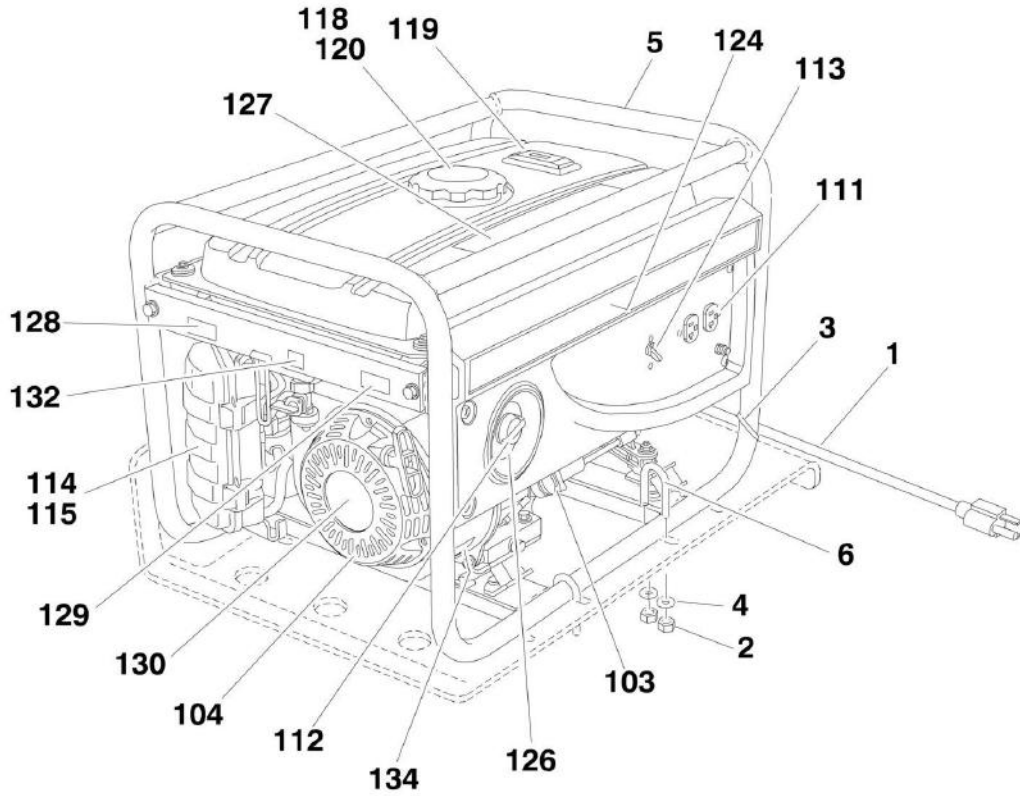
## SECTION 2 - TURNTABLE

**FIGURE 2-6. TURNTABLE MOUNTED COMPONENTS (STROBE LIGHT, ALARM AND ACCESSORY TRAY)**

ITEM	PART NUMBER	QTY	DESCRIPTION	REV
		Ref	<b>MOTION ALARM AND STROBE LIGHT INSTALLATION (OPTIONAL)</b>	
		Ref	<b>Motion Alarm and Strobe Options:</b>	
	0273669	Ref	<b>Motion Alarm and Strobe Light Option</b>	F
	0275048	Ref	<b>Motion Alarm Option (SN 0030000281 through 0030012032)</b>	D
	0275030	Ref	<b>Strobe Light Option (SN 0030000281 through 0030012032)</b>	D
1	0140043	1	Alarm	
2	0700412	2	Bolt 4mm x 25mm	
3	0700610	2	Bolt 6mm x 20mm	
4	0701014	2	Bolt 10mm x 30mm	
5	0903087	1	Bracket, Mounting	
6	2920161	1	Strobe Light Assembly	
6	7016319	1	Bulb	
6	7016372	1	Lens	
7	3290405	2	Locknut 4mm	
8	3290605	2	Locknut 6mm	
9	3291005	2	Locknut 10mm	
10	4060865	1	Guard, Strobe	
11	4811400	2	Flatwasher 4mm	
12	4811700	6	Flatwasher 6mm	
13	4812000	4	Flatwasher 10mm	
14	4923128	1	Harness, Strobe/Alarm (Not Shown - See ELECTRICAL SECTION for Breakdown)	
	0274290	Ref	<b>ACCESSORY TRAY INSTALLATION (OPTIONAL)</b>	C
101	0641610	4	Bolt 3/8in-16NC x 1-1/2in (Use p/n 0641612)	
102	3311605	4	Locknut 3/8in-16NC	
103		Ref	Mount, Accessory Tray Options:	
103	4340929	1	Mount, Accessory Tray (Use p/n 1001092449) <b>(Prior to SN 0030002110)</b>	
103	4341400	1	Mount, Accessory Tray <b>(SN 0030002110 through 0030012032)</b>	
104	4711600	8	Flatwasher, 3/8in Hardened (Use p/n 4891600)	

## SECTION 2 - TURNTABLE

FIGURE 2-7. 2500W GENERATOR INSTALLATION (OPTIONAL) (Prior to SN 0030004340)



## SECTION 2 - TURNTABLE

**FIGURE 2-7. 2500W GENERATOR INSTALLATION (OPTIONAL) (Prior to SN 0030004340)**

ITEM	PART NUMBER	QTY	DESCRIPTION	REV
	1001120260	Ref	<b>GENERATOR INSTALLATION (ANSI SPEC ONLY - NOT AVAILABLE IN CALIFORNIA)</b>	B
1	1060688	1	Cable, AC	
2	3311505	8	Locknut 5/16in-18NC	
3	4240033	AR	Tie, Wire	
4	4751500	8	Flatwasher 5/16in	
5	1001120261	1	Generator 2500W (See Items 101 - 150 for Breakdown)	
6	1001120264	4	Bolt U, 5/16in - 18NC X 1in	
8	3020015	0.33 qt	Motor Oil 10W 40	
	1001120261	Ref	<b>2500W GENERATOR ASSEMBLY (Prior to SN 0030004340)</b>	B
101	70002769	1	Gasket, Muffler	
102	70002770	1	Plug, Spark	
103	70002771	1	Cap, Oil Filler	
104	70002772	1	Starter Assy (Recoil)	
104	70002773	1	Grip	
104	70002774	1	Rope	
105	70002775	1	Carburetor Assy	
106	70002776	1	Gasket, Insulator	
107	70002777	1	Gasket, Carburetor	
108	70002778	1	Coil Assy (Not Shown)	
109	70002779	1	Harness, Stop Switch (Not Shown)	
110	70002781	1	Harness, Control (Not Shown)	
111	70002782	1	Receptacle	
112	70002783	1	Switch (Engine Stop)	
113	70002784	1	Breaker, Circuit	
114	70002785	1	Element, Air Cleaner	
115	70002786	1	Seal, Air Cleaner Cover	
116	70002787	1	Muffler	
117	70002788	1	Gasket, Exhaust Pipe	
118	70003055	1	Tank, Fuel	
118	70003059	4	Bolt, Flange M6 x 22mm	
118	4811700	4	Flatwasher M6	
118	70003055	4	Collar, Mounting Cushion	
118	70003056	4	Cushion, Mounting	
118	70003054	1	Tank Drain Assembly (Includes Petcock, Strainer Screen, O-Ring, Cup and Cup Filter)	
119	70002790	1	Gauge, Fuel	
119	70003058	2	Screw M5 x 10mm	
120	70002789	1	Cap, Fuel Filler	
120	70002791	1	Filter, Fuel	
121	70002792	1	Brush, Assy	
122	70002793	1	Regulator	
123	70002794	1	Bearing	
124	70002795	1	Decal - Emblem (EP2500CX)	
125	70002796	1	Decal - Spec (CX-A)	
126	70002797	1	Decal - Engine Switch	
127	70002798	1	Decal - Operator Warning	
128	70002799	1	Decal - Choke	
129	70002800	1	Decal - Oil Alert	
130	70002801	1	Decal - Honda	

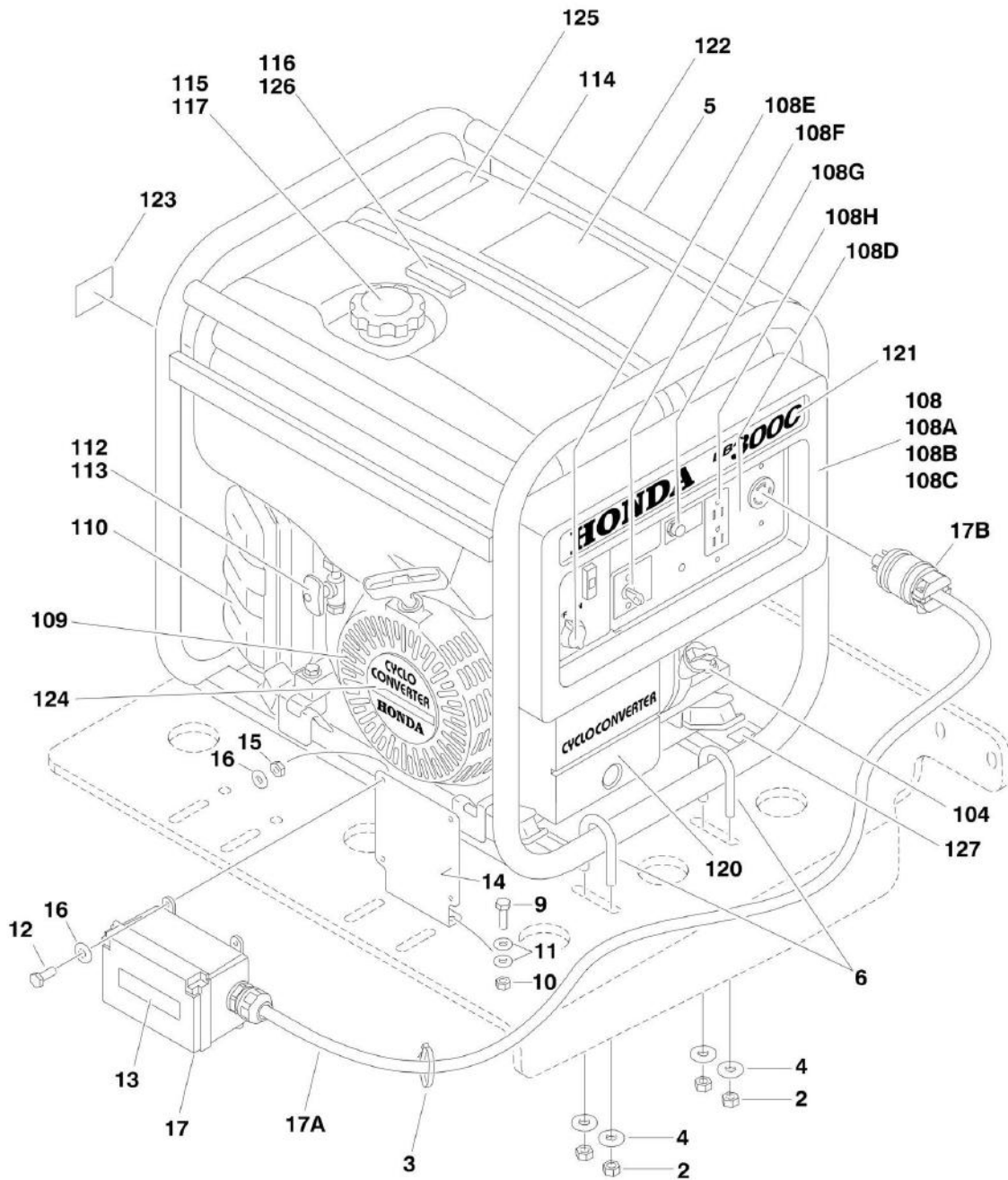
## SECTION 2 - TURNTABLE

ITEM	PART NUMBER	QTY	DESCRIPTION	REV
131	70002802	2	Decal - Caution	
132	70002803	1	Decal - Fuel	
133	70002804	1	Decal - Fuel Indication	
134	70002805	1	Decal - Oil Check	
150	70002780	1	Gasket Kit - Engine (Not Shown)	



## SECTION 2 - TURNTABLE

FIGURE 2-8. 3000W GENERATOR INSTALLATION (OPTIONAL) (SN 0030004340 through 0030012032)



**SECTION 2 - TURNTABLE**

**FIGURE 2-8. 3000W GENERATOR INSTALLATION (OPTIONAL) (SN 0030004340 through 0030012032)**

ITEM	PART NUMBER	QTY	DESCRIPTION	REV
	1001120260	Ref	<b>GENERATOR INSTALLATION (ANSI, ANSI EXPORT AND CSA SPECS ONLY - NOT AVAILABLE IN CALIFORNIA)</b>	D
2	3311505	8	Locknut 5/16in-18NC	
3	4240033	AR	Tie-Strap	
4	4751500	8	Flatwasher 5/16in	
5	1001130309	1	Generator 3000W (See Items 101-127 for Breakdown)	
6	1001120264	4	Bolt U, 5/16in - 18NC X 1in	
8	3020015	0.33 qt	Motor Oil 10W 40 (Not Shown)	
9	0641407	2	Bolt 1/4in-20NC x 7/8in	
10	3311405	2	Locknut 1/4in-20NC	
11	4711400	4	Flatwasher 1/4in Thin	
12	0721004	4	Screw #10-24NC x 1/2in	
13	3252761	1	Decal - 120V	
14	1001131326	1	Plate, Mounting	
15	3311005	4	Locknut #10-24NC	
16	4711000	4	Flatwasher M10 Thin	
17	1001131595	1	Electrical Assembly	
17	0861731	1	Box, Receptacle	
17	1671207	1	Cover, Receptacle Box	
17	4460346	1	Receptacle, GFI	
17	4460662	1	Connector, Strain Relief	
17A	1060908	44 in/1.1m	Cable, 12/3	
17B	1001131740	1	Plug	
	1001130309	Ref	<b>3000W GENERATOR ASSEMBLY</b>	B
101		Ref	Gasket Options (Not Shown):	
101	70003558	1	Gasket, Cylinder Head	
101	70003559	1	Gasket, Cylinder Head Cover	
101	70003560	1	Gasket, Exhaust (Exhaust Pipe to Cylinder Head)	
102		Ref	Plug, Spark (Not Shown)	
102	7027391	1	Denso Brand	
102	70002770	1	NGK Brand	
103	70003561	1	Switch Assembly, Oil Level (Not Shown)	
103	70003507	1	O-ring	
104	70002771	1	Cap, Oil Filler	
105	7027388	1	Cap, Secondary Oil Filler (Not Shown)	
106	70003565	1	Carburetor Assembly (Not Shown)	
106	70003562	1	Gasket Set - Carburetor	
106	70003563	1	Float Set - Carburetor	
106	70003564	1	Screw Set - Drain	
106	70003566	1	Insulator, Carburetor (Not Shown)	
106	70002776	1	Gasket, Insulator to Block (Not Shown)	
106	70003567	1	Spacer, Carburetor (Not Shown)	
106	70002777	1	Gasket, Carburetor to Insulator (Not Shown)	
107	70003568	1	Coil, Charging (Not Shown)	
107	7027398	1	Suppressor, Noise (Not Shown)	
108	70003572	1	Control Box Assembly	
108A	70003569	1	Module, Ignition	
108B	70003570	1	Harness, Wiring	
108C	70003571	1	Harness, Secondary Wiring	
108D	70003573	1	Decal - Control Panel	

## SECTION 2 - TURNTABLE

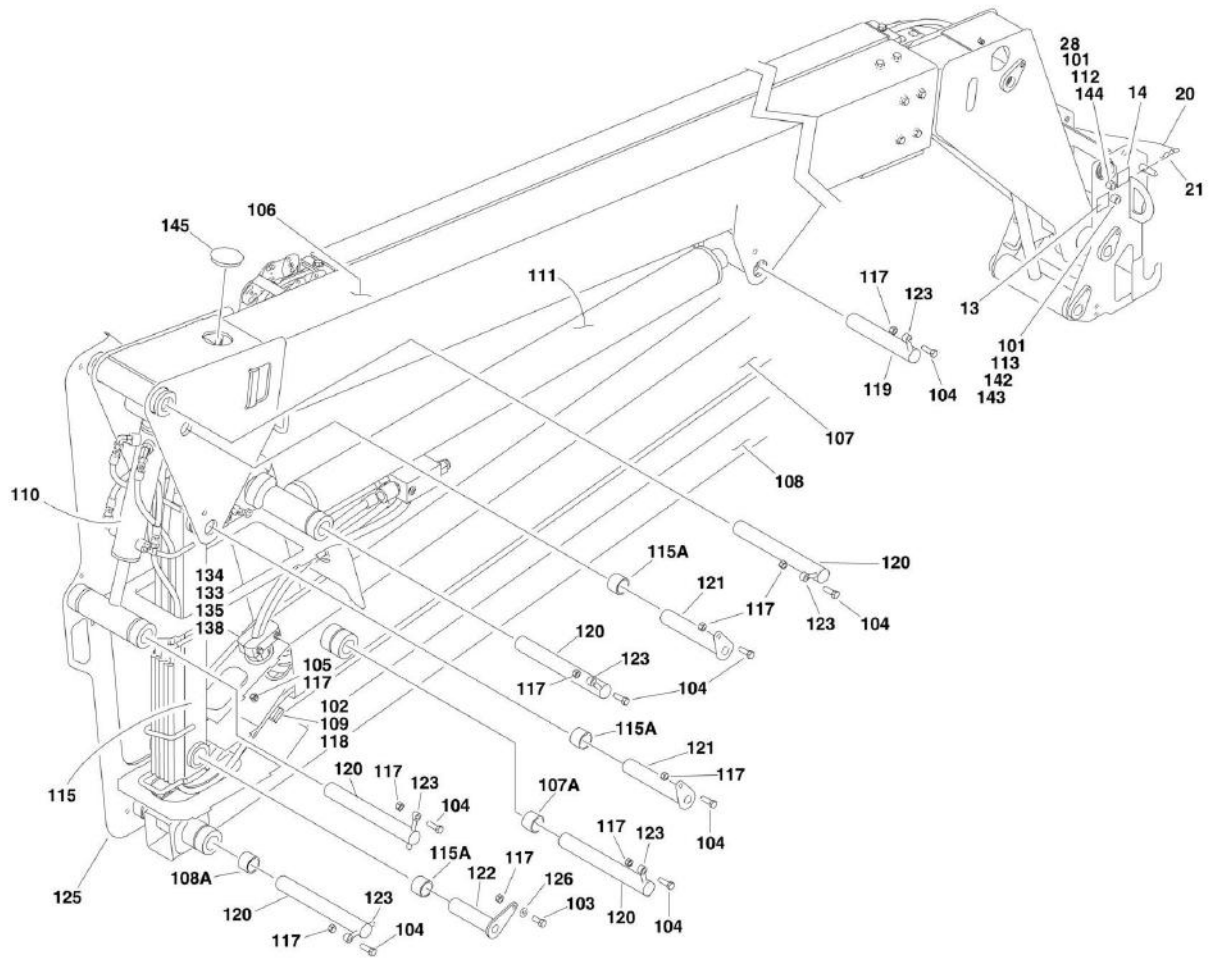
ITEM	PART NUMBER	QTY	DESCRIPTION	REV
108E	70002783	1	Switch, Engine Stop	
108F	70003574	1	Breaker, Circuit (20A)	
108G	70003575	1	Protector, Circuit (20A)	
108H	70003576	1	Receptacle (20A-125V)	
109	70003577	1	Starter Assy (Recoil)	
109	70003578	1	Spring, Recoil Starter	
109	70003579	1	Handle, Recoil Starter Rope	
109	70002774	1	Rope, Recoil Starter	
110	70003582	1	Cover, Air Cleaner	
110	70003581	4	Spring, Air Cleaner Housing/Cover	
110	70003583	1	Seal, Air Cleaner Cover	
110	70003580	1	Element, Air Cleaner (Inner)	
110	70003584	1	Element, Air Cleaner (Outer)	
111	70003585	1	Muffler (Not Shown)	
111	70003588	1	Gasket, Exhaust Pipe to Block (Not Shown)	
111	70003589	1	Arrester, Spark (Not Shown)	
111	70003586		Shield, Muffler (Outer) (Not Shown)	
111	70003587		Shield, Muffler (Inner) (Not Shown)	
112	70003590	1	Assembly, Petcock	
113	70003591	1	Screen, Fuel Strainer	
114	70003592	1	Tank, Fuel	
115	70003593	1	Cap, Fuel Filler	
116	70003594	1	Gauge, Fuel	
117	7027395	1	Filter, Fuel Tank	
118	70003595	1	Cable, Ground (Frame) (Not Shown)	
119	70003596	1	Generator Assembly (Not Shown)	
119	70003597	1	Grommet, AC Cord (Not Shown)	
120	70003598	1	Cycloconverter, Unit	
121	70003599	1	Decal - Generator Model	
122	70003600	1	Decal - Operator Warning	
123	70003601	1	Decal - Choke	
124	70003602	1	Decal - Cycloconverter	
125	70003603	1	Decal - Exhaust Caution	
126	70003604	1	Decal - Fuel Indication	
127	70003605	1	Decal - Oil Caution	



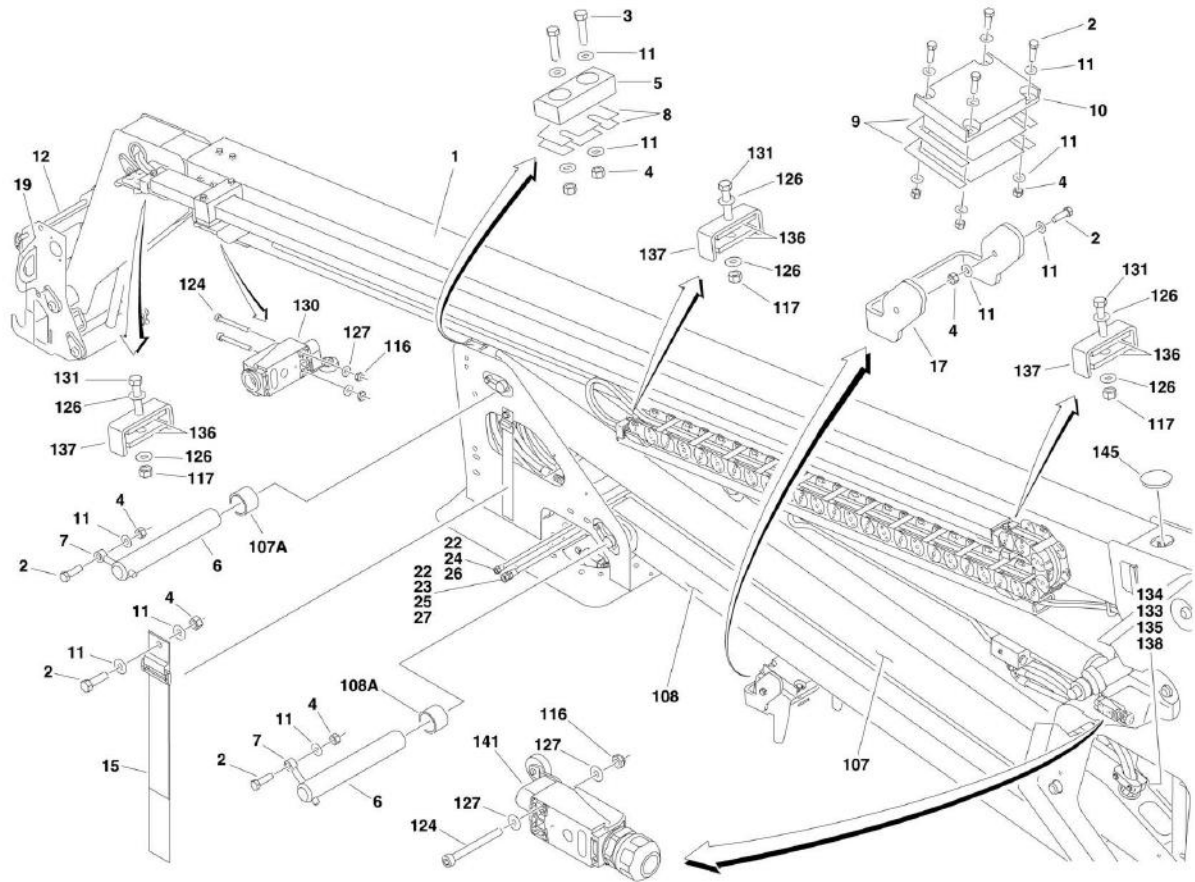
**SECTION 3 - BOOM**

# SECTION 3 - BOOM

## FIGURE 3-1. BOOM ASSEMBLY AND INSTALLATION (T350)



# SECTION 3 - BOOM



# SECTION 3 - BOOM

## FIGURE 3-1. BOOM ASSEMBLY AND INSTALLATION (T350)

ITEM	PART NUMBER	QTY	DESCRIPTION	REV
		Ref	<b>BOOM INSTALLATIONS (T350)</b>	
	0274325	Ref	<b>With Air and Water Lines to Platform</b>	H
	0273604	Ref	<b>Without Air and Water Lines to Platform (SN 003000006 through 0030000120, Excluding 0030000007 and 0030000011)</b>	E
1		Ref	Boom Assembly Options (See Items 101-145 for Breakdown):	
1	0274327	1	Boom with Air and Water Lines to Platform	
1	0273865	1	Boom without Air and Water Lines to Platform	
2	0641610	8	Bolt 3/8in-16NC x 1-1/4in	
3	0641612	2	Bolt 3/8in-16NC x 1-1/2in	
4	3311605	10	Locknut 3/8in-16NC	
5	3340843	1	Pad, Wear	
6		Ref	Pin Options:	
6	3422799	2	Pin ( <b>Prior to SN 0030000732</b> )	
6	3423201	2	Pin ( <b>SN 0030000732 through 0030012032</b> )	
7	3841143	2	Keeper, Pin	
8	4071082	2	Shim	
9	4071083	2	Shim	
10	4220211	1	Pad, Boom Rest	
11	4711600	18	Flatwasher 3/8in Thin	
12	3423100	1	Pin, Gravity	
13		Ref	Nameplate - Pressure Washer Options:	
13	1706261	1	Boom with Air and Water Lines to Platform	
13	Not Required	0	Boom without Air and Water Lines to Platform	
14		Ref	Nameplate - Air Compressor Options:	
14	1706262	1	Boom with Air and Water Lines to Platform	
14	Not Required	0	Boom without Air and Water Lines to Platform	
15		Ref	Strap, Cinch Options:	
15	4240003	1	Boom with Air and Water Lines to Platform	
15	Not Required	0	Boom without Air and Water Lines to Platform	
17	3575803	2	Plate, Boom Stop	
19	1060329	1	Lanyard	
20	1060799	1	Lanyard ( <b>SN 0030000460 through 0030012032</b> )	
21	8310264	1	Hairpin ( <b>SN 0030000460 through 0030012032</b> )	
22	0100020	AR	Sealant, Pipe	
23	2221209	1	Fitting, Coupler ( <b>SN 0030000460 through 0030012032</b> )	
24	2221212	1	Fitting, Nipple ( <b>SN 0030000460 through 0030012032</b> )	
25	2221213	1	Fitting, Female Coupler ( <b>SN 0030000460 through 0030012032</b> )	
26	1706625	1	Decal - Air ( <b>SN 0030000460 through 0030012032</b> )	
27	1706626	1	Decal - Water ( <b>SN 0030000460 through 0030012032</b> )	
28	2220003	1	Fitting, Swivel ( <b>SN 0030007362 through 0030012032</b> )	
		Ref	<b>BOOM ASSEMBLIES</b>	
	0274327	Ref	<b>With Air and Water Lines to Platform</b>	S
	0273865	Ref	<b>Without Air and Water Lines to Platform (SN 003000006 through 0030000120, Excluding 0030000007 and 0030000011)</b>	J
101	0100020	AR	Sealant, Pipe	
102	0100081	AR	Adhesive #454	
103	0641607	1	Bolt 3/8in-16NC x 7/8in	
104	0641609	8	Bolt 3/8in-16NC x 1-1/8in	
105	0641620	1	Bolt 3/8in-16NC x 2-1/2in	
106	0801426	1	Main Boom Assembly (See MAIN BOOM ASSEMBLY (T350) for	

## SECTION 3 - BOOM

ITEM	PART NUMBER	QTY	DESCRIPTION	REV
107	0801429	1	Breakdown) Tube, Tower (Top)	D
107A	0961951	4	Bushing	
108		Ref	Tube, Tower (Bottom) Options:	
108	0801430	1	Tube, Tower <b>(Prior to SN 0030000732)</b>	
108	0801516	1	Tube, Tower <b>(SN 0030000732 through 0030012032)</b>	
108A	0961951	4	Bushing	
109	1320289	1	Clamp	
110	1684415	1	Master Cylinder Assembly (See CYLINDER SECTION for Breakdown)	
111	1684433	1	Lift Cylinder Assembly (See CYLINDER SECTION for Breakdown)	
112		Ref	Hose, Air Line Options:	
112	2754171	1	Boom with Air and Water Lines to Platform	
112	Not Required	0	Boom without Air and Water Lines to Platform	
113		Ref	Hose, Water Line Options:	
113	2754172	1	Boom with Air and Water Lines to Platform	
113	Not Required	0	Boom without Air and Water Lines to Platform	
115	3010127	1	Link, Timing	C
115A	0961951	4	Bushing	
116	3290405	4	Locknut 4mm	
117	3311605	13	Locknut 3/8in-16NC	
118	3340943	2	Pad, Rubber	
119	3422333	1	Pin	
120		Ref	Pin Options:	
120	3422792	5	Pin <b>(Prior to SN 0030000732)</b>	
120	3423200	5	Pin <b>(SN 0030000732 through 0030012032)</b>	
121	3423102	2	Pin	
122	3423103	1	Pin	
123	3841143	6	Keeper, Pin	
124	4031512	4	Capscrew 4mm x 40mm	
125	4630001	1	Upright	
126	4711600	7	Flatwasher 3/8in Thin	
127	4811400	6	Flatwasher 4mm	
128	4923100	1	Harness, Lift Down Prop Valve (Not Shown - See ELECTRICAL SECTION for Breakdown)	
129	4923185	1	Harness, Center Brake Light (Not Shown - See ELECTRICAL SECTION for Breakdown)	
130	4923192	1	Harness, Telescope Limit Switch (See ELECTRICAL SECTION for Breakdown)	
131	0641616	3	Bolt 3/8in-16NC x 2in	
133	0641424	2	Bolt 1/4in-20NC x 3in	
134	1321318	2	Clamp, Hose	
135	3311405	2	Locknut 1/4in-20NC	
136	3340941	6	Pad, Rubber	
137	3575021	3	Plate, Clamping	
138	4711400	4	Flatwasher 1/4in Thin	
139	4923040	1	Harness, Boom Cable (Not Shown - ELECTRICAL SECTION for Breakdown)	
140	4923104	1	Harness, AC Cable (Not Shown - ELECTRICAL SECTION for Breakdown)	
141	4923112	1	Harness, Transport Limit Switch (See ELECTRICAL SECTION for Breakdown)	

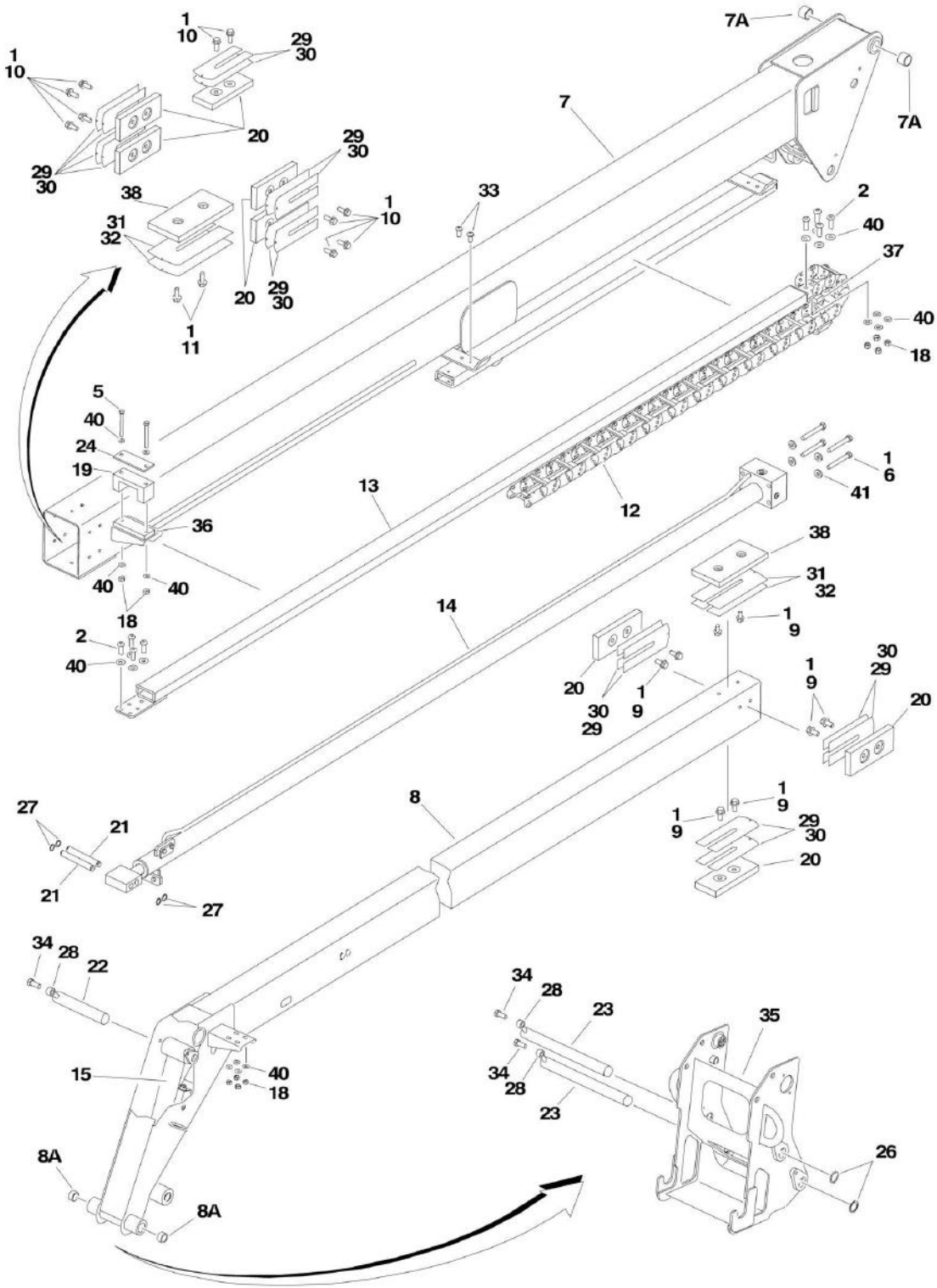
## SECTION 3 - BOOM

ITEM	PART NUMBER	QTY	DESCRIPTION	REV
142	2220364	1	Fitting, Coupler (SN 0030000460 through 0030012032)	
143	2221210	1	Fitting, Nipple (SN 0030000460 through 0030012032)	
144	2221211	1	Fitting, Female Coupler (SN 0030000460 through 0030012032)	
145	1001092012	1	Plug, Hole (SN 0030002177 through 0030012032)	



# SECTION 3 - BOOM

## FIGURE 3-2. MAIN BOOM ASSEMBLY (T350)





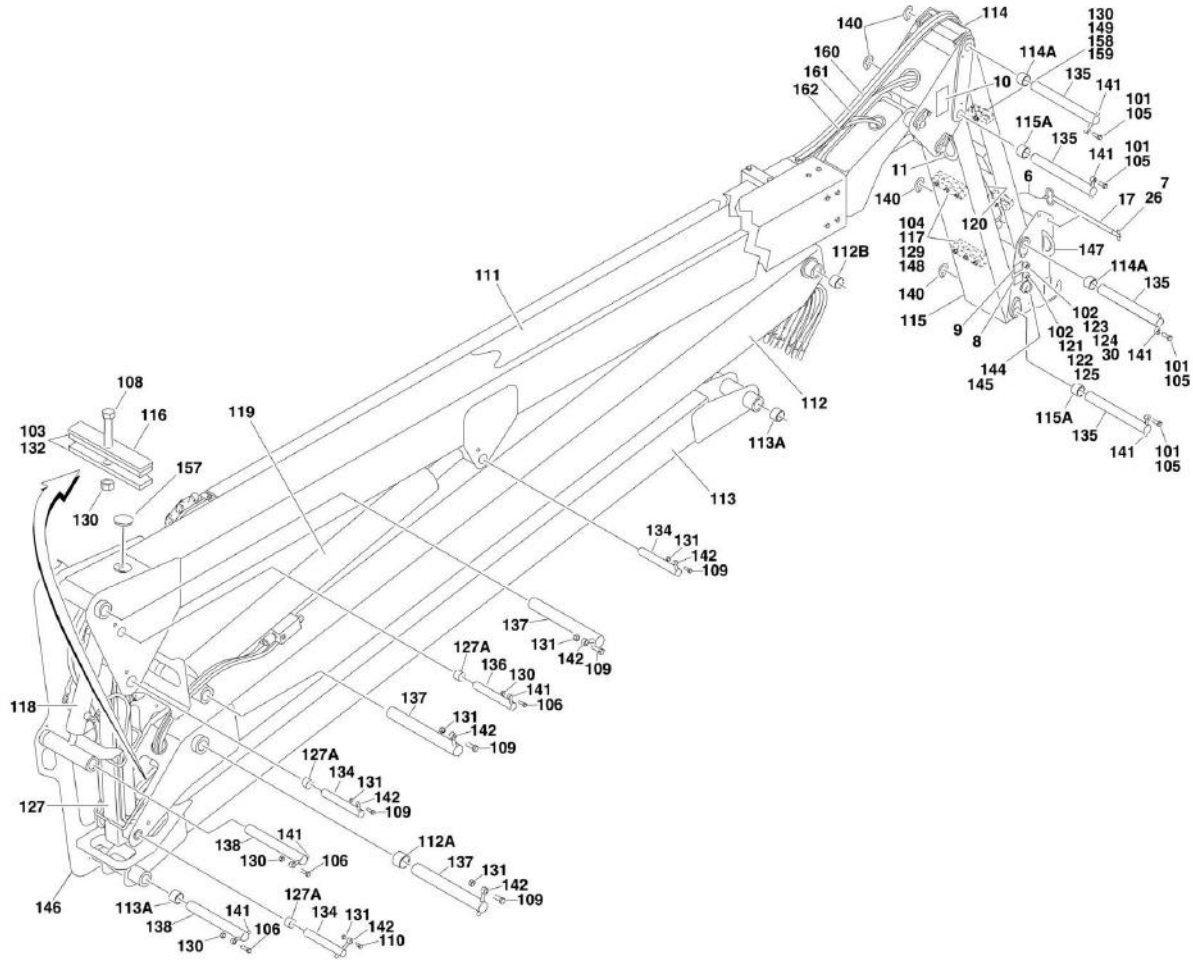
## SECTION 3 - BOOM

**FIGURE 3-2. MAIN BOOM ASSEMBLY (T350)**

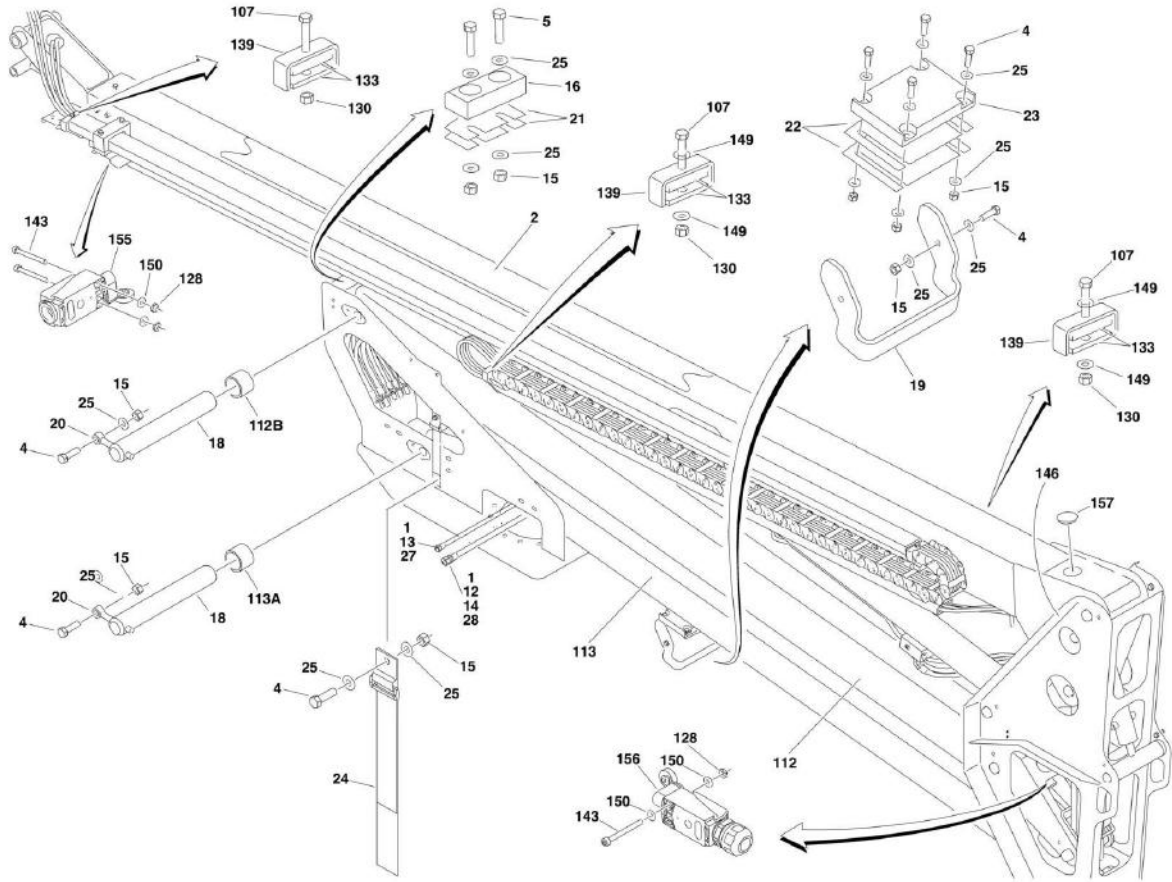
ITEM	PART NUMBER	QTY	DESCRIPTION	REV
	0801426	Ref	<b>BOOM ASSEMBLY (T350)</b>	S
1	0100011	AR	Compound, Locking	
2	3900316	8	Screw 3/8in-16NC x 1in	
5	0641628	2	Bolt 3/8in-16NC x 3-1/2in	
6	0641830	4	Bolt 1/2in-13NC x 3-3/4in	
7	0801427	1	Base, Boom	
7A	0961951	2	Bushing	
8	0801428	1	Fly, Boom	
8A	0961947	2	Bushing	
9	0811606	8	Screw 3/8in-16NC x3/4in	
10	0811607	10	Screw 3/8in-16NC x 7/8in	
11	0811608	2	Screw 3/8in-16NC x 1in	
12	1180391	1	Powertrack	
12	70002233	AR	Repair Section	
13	1180394	1	Tube, Push	
14	1684367	1	Telescope Cylinder Assembly (See CYLINDER SECTION for Breakdown)	
15	1684373	1	Platform Level Cylinder Assembly (See CYLINDER SECTION for Breakdown)	
18	3311605	10	Locknut 3/8in-16NC	
19	3340764	1	Pad	
20	3340881	8	Pad, Wear	
21	3423101	2	Pin	
22	3423104	1	Pin	
23	3423105	2	Pin	
24	3538758	1	Plate	
26	3760115	2	Ring, Retaining	
27	3760351	4	Ring, Retaining	
28	3841143	3	Keeper, Pin	
29	4070897	8	Shim 18 Gauge	
30	4070898	8	Shim #11 Gauge	
31	4071039	2	Shim 18 Gauge	
32	4071040	2	Shim #11 Gauge	
33	3900283	2	Screw 3/8in-16NC x 3/4in	
34	0641607	3	Bolt 3/8in-16NC x 7/8in	
35	4630002	1	Pivot	
36	4700017	1	Pad, Wear	
37	4700018	1	Pad, Wear	
38	4700019	2	Pad, Wear	
40	4711600	18	Flatwasher 3/8in Thin	
41	4891800	4	Flatwasher 1/2in Hardened	
44	4460497	1	Nut, Terminal (Not Shown - ELECTRICAL SECTION for Breakdown)	
45	4460496	1	Lockwasher, Terminal (Not Shown - ELECTRICAL SECTION for Breakdown)	

# SECTION 3 - BOOM

## FIGURE 3-3. BOOM ASSEMBLY AND INSTALLATION (T500J)



# SECTION 3 - BOOM



## SECTION 3 - BOOM

FIGURE 3-3. BOOM ASSEMBLY AND INSTALLATION (T500J)

ITEM	PART NUMBER	QTY	DESCRIPTION	REV
		Ref	<b>BOOM INSTALLATIONS (T500J)</b>	
	0273605	Ref	<b>Boom Installation (Without Air and Water Lines to Platform) (Including 0030000005 and 0030000118)</b>	E
	0274326	Ref	<b>Boom Installation (With Air and Water Lines to Platform) (Prior to SN 0030001101)</b>	F
	See Note	Ref	<b>Boom installations (With Air and Water Lines to Platform) (Note: These machines may have either 0274326 or 0275009 installation. Contact JLG Parts Dept. to identify configuration.) (SN 0030001102 through 0030001170)</b>	
	0275009	Ref	<b>Boom installations (With Air and Water Lines to Platform) (SN 0030001171 through 0030012032)</b>	D
	1001114580	Ref	<b>Boom installations (With Air and Dual Water Lines to Platform) (SN 0030003260 through 0030012032)</b>	B
	1001229944	Ref	<b>Boom Installations (With Air and Water Lines to Platform - T350) (SN 0030009078 through 0030012032)</b>	A
	1001229945	Ref	<b>Boom Installations (With Air and Water Lines to Platform - T500) (SN 0030009078 through 0030012032)</b>	A
1	0100020	AR	Sealant, Pipe	
2		Ref	Boom Assembly Options (See Items 101-158 for Breakdown):	
2	0273864	1	Boom Assembly (Without Air and Water Lines to Platform) <b>(Including 0030000005 and 0030000118)</b>	
2	0274328	1	Boom Assembly (With Air and Water Lines to Platform) <b>(Prior to SN 0030001101)</b>	
2	See Note	1	Boom Assembly (With Air and Water Lines to Platform) (Note: These machines may have either 0274326 or 0275009 installation. Contact JLG Parts Dept. to identify configuration.) <b>(SN 0030001102 through 0030001170)</b>	
2	0275008	1	Boom Assembly (With Air and Water Lines to Platform) <b>(SN 0030001171 through 0030012032)</b>	
2	1001114581	1	Boom Assembly (With Air and Dual Water Lines to Platform) <b>(SN 0030003260 through 0030012032)</b>	
3	0641607	1	Bolt 3/8in-16NC x 7/8in (Not Shown - Used to Attach Item 6)	
4	0641610	9	Bolt 3/8in-16NC x 1-1/4in	
5	0641612	2	Bolt 3/8in-16NC x 1-1/2in	
6	1060329	1	Lanyard	
7	1060799	1	Lanyard <b>(SN 0030000460 through 0030012032)</b>	
8		Ref	Nameplate - Pressure Washer Options:	
8	1706261	1	Boom with Air and Water Lines to Platform	
8	Not Required	0	Boom without Air and Water Lines to Platform	
8	Not Required	0	Boom without Air and Dual Water Lines to Platform	
9		Ref	Nameplate - Air Compressor Options:	
9	1706262	1	Boom with Air and Water Lines to Platform	
9	Not Required	0	Boom without Air and Water Lines to Platform	
10	1706337	1	Decal - Jib Manual Descent	
11	1706349	1	Decal - Manual Descent Arrows	
12		Ref	Fitting, Coupler Options: <b>(SN 0030000460 through 0030012032)</b>	
12	2221209	1	Boom with and without Air and Water Lines to Platform	
12	Not Required	0	Boom with Air and Dual Water Lines to Platform	
13	2221212	1	Fitting, Nipple <b>(SN 0030000460 through 0030012032)</b>	
14		Ref	Fitting, Female Coupler Options: <b>(SN 0030000460 through 0030012032)</b>	
14	2221213	1	Boom with and without Air and Water Lines to Platform	
14	Not Required	0	Boom with Air and Dual Water Lines to Platform	

## SECTION 3 - BOOM

ITEM	PART NUMBER	QTY	DESCRIPTION	REV
15	3311605	11	Locknut 3/8in-16NC	
16	3340843	1	Pad, Wear	
17	3423100	1	Pin, Gravity	
18		Ref	Pin Options:	
18	3422790	2	Pin ( <b>Prior to SN 0030000732</b> )	
18	3423203	2	Pin ( <b>SN 0030000732 through 0030012032</b> )	
19	3575804	2	Plate, Boom Stop	
20	3841143	2	Keeper, Pin	
21	4071082	2	Shim	
22	4071083	2	Shim	
23	4220211	1	Pad, Boom Rest	
24		Ref	Strap, Cinch Options:	
24	4240003	1	Boom with Air and Water Lines to Platform	
24	Not Required	0	Boom without Air AND Water Lines to Platform	
25	4711600	20	Flatwasher 3/8in Thin	
26	8310264	1	Hairpin ( <b>SN 0030000460 through 0030012032</b> )	
27	1706625	1	Decal - Air ( <b>SN 0030001338 through 0030012032</b> )	
28		Ref	Decal - Water ( <b>SN 0030001338 through 0030012032</b> )	
28	1706349	1	Boom with and without Air and Water Lines to Platform	
28	1706626	1	Boom with Air and Dual Water Lines to Platform	
29		Ref	Decal - Capacity Reduction Options: ( <b>SN 0030003260 through 0030012032</b> )	
29	Not Required	0	Boom with and without Air and Water Lines to Platform	
29	See Note	2	Boom with Air and Dual Water Lines to Platform (Note: Refer to DECAL SECTION for decal p/n)	
30	2220003	1	Fitting, Swivel ( <b>SN 0030007362 through 0030012032</b> )	
		Ref	<b>BOOM ASSEMBLIES</b>	
	0273864	Ref	<b>Boom Assembly (Without Air and Water Lines to Platform) (Including 0030000005 and 0030000118)</b>	I
	0274328	Ref	<b>Boom Assembly (With Air and Water Lines to Platform) (Prior to SN 0030001101)</b>	I
	See Note	Ref	<b>Boom Assembly (With Air and Water Lines to Platform) (Note: These machines may have either 0274326 or 0275009 installation. Contact JLG Parts Dept. to identify configuration.) (SN 0030001102 through 0030001170)</b>	
	0275008	Ref	<b>Boom Assembly (With Air and Water Lines to Platform) (SN 0030001171 through 0030012032)</b>	M
	1001114581	Ref	<b>Boom Assembly (With Air and Dual Water Lines to Platform) (SN 0030003260 through 0030012032)</b>	H
101	0100011	AR	Compound, Locking	
102	0100020	AR	Sealant, Pipe	
103	0100081	AR	Adhesive #454	
104	0641514	6	Bolt 5/16in-18NC x	
105	0641607	4	Bolt 3/8in-16NC x 7/8in	
106	0641610	3	Bolt 3/8in-16NC x 1-1/4in	
107	0641616	3	Bolt 3/8in-16NC x 2in	
108	0641620	1	Bolt 3/8in-16NC x 2-1/2in	
109	0641811	5	Bolt 1/2in-13NC x 1-3/8in	
110	0641812	1	Bolt 1/2in-13NC x 1-1/2in	
111		Ref	Main Boom Assembly (See MAIN BOOM ASSEMBLY (T500J) for Breakdown)	
111	0801423	1	Boom with and without Air and Water Lines to Platform	
111	1001114582	1	Boom with Air and Dual Water Lines to Platform	
112	0801450	NLA	Tube, Tower (Top) (Use p/n 1001229558) ( <b>Prior to SN</b>	H

## SECTION 3 - BOOM

ITEM	PART NUMBER	QTY	DESCRIPTION	REV
			<b>0030008734)</b>	
112	1001229558	1	Tube, Tower (Top) (SN 0030008734 through 0030012032)	A
112A	0961948	2	Bushing	
112B	0961951	2	Bushing	
113	0801451	1	Tube, Tower (Bottom)	E
113A	0961951	4	Bushing	
114	1271585		Channel, Jib (Top)	A
114A	0962257	4	Bushing	
115		Ref	Channel, Jib (Bottom) Options:	
115	1271584	1	Channel, Jib 0273864 & 0274328 Installations	A
115	1271633	1	Channel, Jib 0275008 & 1001114581 Installations	A
115A	0962257	4	Bushing	
116	1320294	1	Bar, Clamp	
117	1321137	2	Block, Clamp	
118	1684398	1	Master Cylinder Assembly (See CYLINDER SECTION for Breakdown)	
119	1684434	1	Lift Cylinder Assembly (See CYLINDER SECTION for Breakdown)	
120		Ref	Jib Cylinder Assembly Options (See CYLINDER SECTION for Breakdown):	
120	1684432	1	Jib Cylinder Assembly 0273864 and 0274328 Installations	
120	1684494	1	Jib Cylinder Assembly 0275008 & 1001114581 Installations	
121	2220364	1	Fitting, Coupler (SN 0030000460 through 0030012032)	
122	2221210	1	Fitting, Nipple (SN 0030000460 through 0030012032)	
123	2221211	1	Fitting, Female Coupler (SN 0030000460 through 0030012032)	
124		Ref	Hose, Air Line Options:	
124	Not Required	0	Standard Boom	
124	2754173	1	Boom with Optional Air and Water Lines to Platform	
125		Ref	Hose, Water Line Options:	
125	Not Required	0	Standard Boom	
125	2754174	1	Boom with Optional Air and Water Lines to Platform	
125	Not Required	0	Boom with Optional Air and Dual Water Lines to Platform	
127	3010130	1	Link, Timing	C
127A	0961948	4	Bushing	
128	3290405	4	Locknut 4mm	
129	3311505	6	Locknut 5/16in-18NC	
130	3311605	AR	Locknut 3/8in-16NC	
131	3311805	6	Locknut 1/2in-13NC	
132	3340942	1	Pad, Rubber	
133		Ref	Pad, Rubber Options:	
133	3340941	6	Boom with and without Air and Water Lines to Platform (Prior to SN 0030000460)	
133	3340943	6	Boom with and without Air and Water Lines to Platform (SN 0030000460 through 0030012032)	
133	1001114739	6	Boom with Air and Dual Water Lines to Platform (SN 0030003260 through 0030012032)	
134	3422796	3	Pin	
135	3423156	4	Pin	
136		Ref	Pin	
136	3422799	1	Pin (Prior to SN 0030000732)	
136	3423201	1	Pin (SN 0030000732 through 0030012032)	
137		Ref	Pin	
137	3422786	3	Pin (Prior to SN 0030000732)	

## SECTION 3 - BOOM

ITEM	PART NUMBER	QTY	DESCRIPTION	REV
137	3423202	3	Pin (SN 0030000732 through 0030012032)	
138		Ref	Pin	
138	3422574	2	Pin (Prior to SN 0030000732)	
138	3423204	2	Pin (SN 0030000732 through 0030012032)	
139		Ref	Plate, Clamping Options:	
139	3575021	3	Boom with Aand without Air and Water Lines to Platform (Prior to SN 0030000460)	
139	3575887	3	Boom with and without Air and Water Lines to Platform (SN 0030000460 through 0030012032)	
139	1001114740	3	Boom with Air and Dual Water Lines to Platform (SN 0030003260 through 0030012032)	
140	3760133	4	Ring, Retaining	
141	3841143	7	Keeper, Pin	
142	3841203	6	Keeper, Pin	
143	4031512	4	Capscrew 4mm x 40mm	
144	4460496	1	Lockwasher, Terminal	
145	4460497	1	Nut, Terminal	
146	4630003	1	Upright	
147	4630005	1	Pivot	
148	4711500	AR	Flatwasher 5/16in Thin	
149	4711600	AR	Flatwasher 3/8in Thin	
150	4811400	6	Flatwasher 4mm	
151	4923101	1	Harness, Lift Down Prop Valve (Not Shown - See ELECTRICAL SECTION for Breakdown)	
152	4923102	1	Harness, Boom Cable (Not Shown - ELECTRICAL SECTION for Breakdown)	
153	4923111	1	Harness, AC Cable (Not Shown - ELECTRICAL SECTION for Breakdown)	
154	4923184	1	Harness, Center Brake Light (Not Shown - See ELECTRICAL SECTION for Breakdown)	
155	4923193	1	Harness, Telescope Limit Switch (See ELECTRICAL SECTION for Breakdown)	
156	4923217	1	Harness, Transport Limit Switch (See ELECTRICAL SECTION for Breakdown)	
157	1001092012	1	Plug, Hole (SN 0030002177 through 0030012032)	
158	1001115151	2	Block, Clamp (Boom with Air and Dual Water Lines to Platform) (SN 0030003260 through 0030012032)	
159	0641618	2	Bolt 3/8in-16NC x 2-1/4in (Boom with Air and Dual Water Lines to Platform) (SN 0030003260 through 0030012032)	
160	1001114583	1	Hose, Water Line 3/4in (Boom with Air and Dual Water Lines to Platform) (SN 0030003260 through 0030012032)	
161	1001114584	1	Hose, Water Line 3/8in (Boom with Air and Dual Water Lines to Platform) (SN 0030003260 through 0030012032)	
162	1001114585	1	Cable,Control (Boom with Air and Dual Water Lines to Platform) (SN 0030003260 through 0030012032)	

# SECTION 3 - BOOM

## FIGURE 3-4. MAIN BOOM ASSEMBLY (T500J)

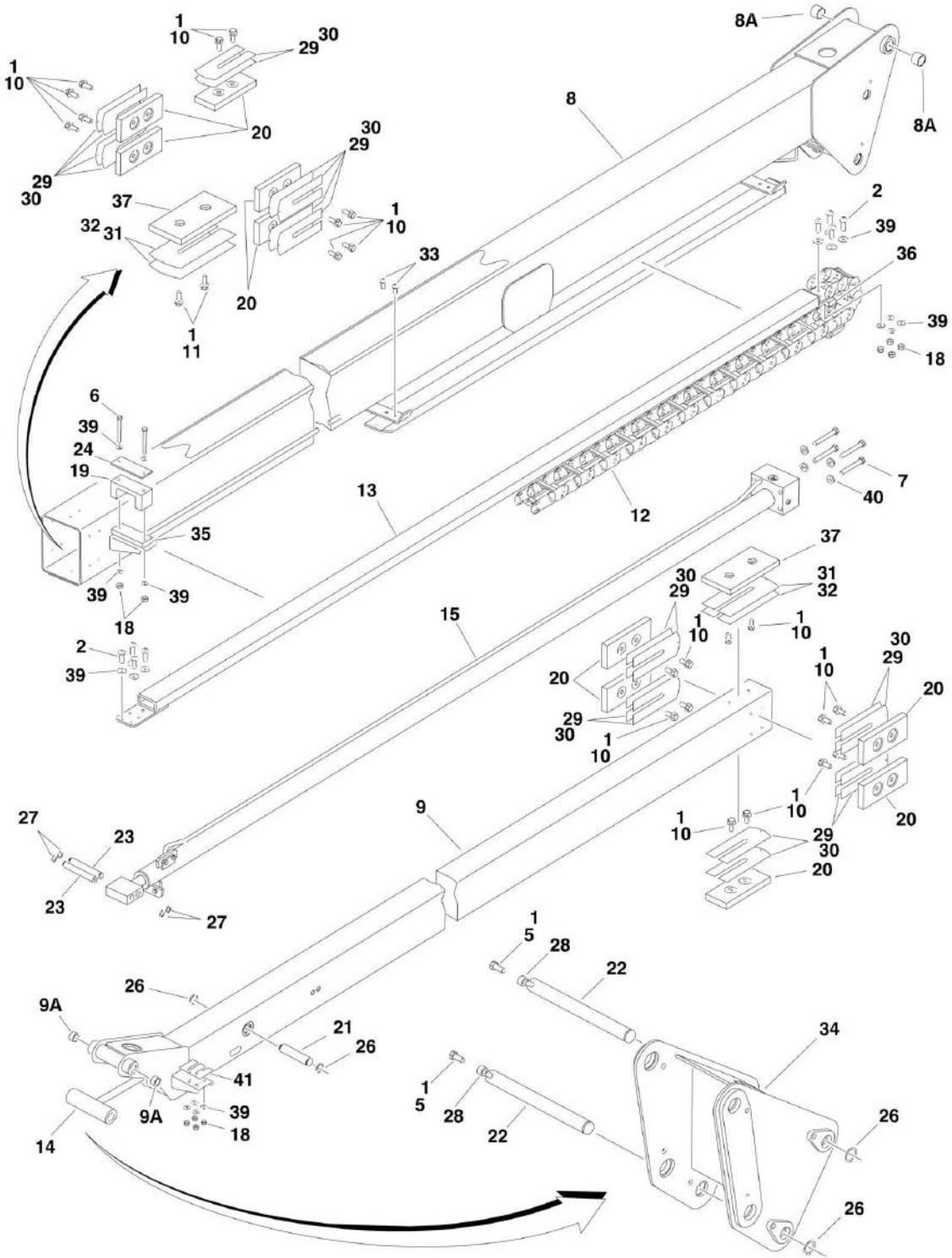




FIGURE 3-4. MAIN BOOM ASSEMBLY (T500J)

ITEM	PART NUMBER	QTY	DESCRIPTION	REV
		Ref	<b>BOOM ASSEMBLIES (T500J)</b>	
	0801423	Ref	<b>With and Without Air and Water Lines to Platform</b>	O
	1001114582	Ref	<b>With Air and Dual Water Lines to Platform</b>	E
1	0100011	AR	Compound, Locking	
2	3900316	8	Screw 3/8in-16NC x 1in	
5	0641607	2	Bolt 3/8in-16NC x 7/8in	
6		Ref	Bolt Options:	
6	0641628	2	Bolt 3/8in-16NC x 3-1/2in	
6	0641634	2	Bolt 3/8in-16NC x 4-1/4in	
7	0641830	4	Bolt 1/2in-13NC x 3-3/4in	
8		Ref	Base, Boom Options:	
8	0801424	1	With and Without Air and Water Lines to Platform	
8	1001114587	1	With Air and Dual Water Lines to Platform	
8A	0961948	2	Bushing	
9		Ref	Fly, Boom Options:	
9	0801425	1	With and Without Air and Water Lines to Platform	
9	1001114588	1	With Air and Dual Water Lines to Platform	
9A	0962292	2	Bushing	
10	0811607	22	Screw 3/8in-16NC x 7/8in	
11	0811608	2	Screw 3/8in-16NC x 1in	
12		Ref	Powertrack Options:	
12	1180393	1	With and Without Air and Water Lines to Platform	
12		Ref	With Air and Dual Water Lines to Platform	
12	1001114586	1	Powertrack <b>(Prior to SN 0030008195)</b>	
12	1001224893	1	Powertrack <b>(SN 0030008195 through 0030012032)</b>	
12		Ref	Repair Section Options:	
12	70002233	1	With and Without Air and Water Lines to Platform	
12	70002532	1	With Air and Dual Water Lines to Platform	
13		Ref	Tube, Push Options:	
13		Ref	With and Without Air and Water Lines to Platform	
13	1180395	1	Tube, Push <b>(Prior to SN 0030000460)</b>	
13	1180398	1	Tube, Push <b>(SN 0030000460 through 0030012032)</b>	
13	1001114589	1	With Air and Dual Water Lines to Platform	
14	1684397	1	Platform Level Cylinder Assembly (See CYLINDER SECTION for Breakdown)	
15	1684402	1	Telescope Cylinder Assembly (See CYLINDER SECTION for Breakdown)	
18	3311605	10	Locknut 3/8in-16NC	
19		Ref	Pad Options:	
19		Ref	With and Without Air and Water Lines to Platform	
19	3340764	1	Pad <b>(Prior to SN 0030000460)</b>	
19	4220254	1	Pad <b>(SN 0030000460 through 0030012032)</b>	
19	1001114667	1	With Air and Dual Water Lines to Platform	
20	3340881	10	Pad, Wear	
21	3422745	1	Pin	
22	3423105	2	Pin	
23	3423161	2	Pin	
24		Ref	Plate Options:	
24		Ref	With and Without Air and Water Lines to Platform	
24	3538758	1	Plate <b>(Prior to SN 0030000460)</b>	

## SECTION 3 - BOOM

ITEM	PART NUMBER	QTY	DESCRIPTION	REV
24	3575889	1	Plate (SN 003000460 through 0030012032)	
24	1001114670	1	With Air and Dual Water Lines to Platform	
26	3760115	4	Ring, Retaining	
27	3760351	4	Ring, Retaining	
28	3841143	2	Keeper, Pin	
29	4070897	10	Shim 18 Gauge	
30	4070898	10	Shim #11 Gauge	
31	4071039	2	Shim 18 Gauge	
32	4071040	2	Shim #11 Gauge	
33	3900283	2	Screw 3/8in-16NC x 3/4in	
34	4630004	1	Pivot	
35		Ref	Pad, Wear Options:	
35	4700017	1	With and Without Air and Water Lines to Platform	
35	1001114756	1	With Air and Dual Water Lines to Platform	
36		Ref	Pad, Wear Options:	
36	4700018	1	With and Without Air and Water Lines to Platform	
36	1001114755	1	With Air and Dual Water Lines to Platform	
37	4700019	2	Pad, Wear	
39	4711600	18	Flatwasher 3/8in Thin	
40	4891800	4	Flatwasher 1/2in Hardened	
41	4071117	1	Shim (SN 0030001367 through 0030012032)	



# SECTION 3 - BOOM

## FIGURE 3-5. MATERIAL HOOK INSTALLATION (OPTIONAL)

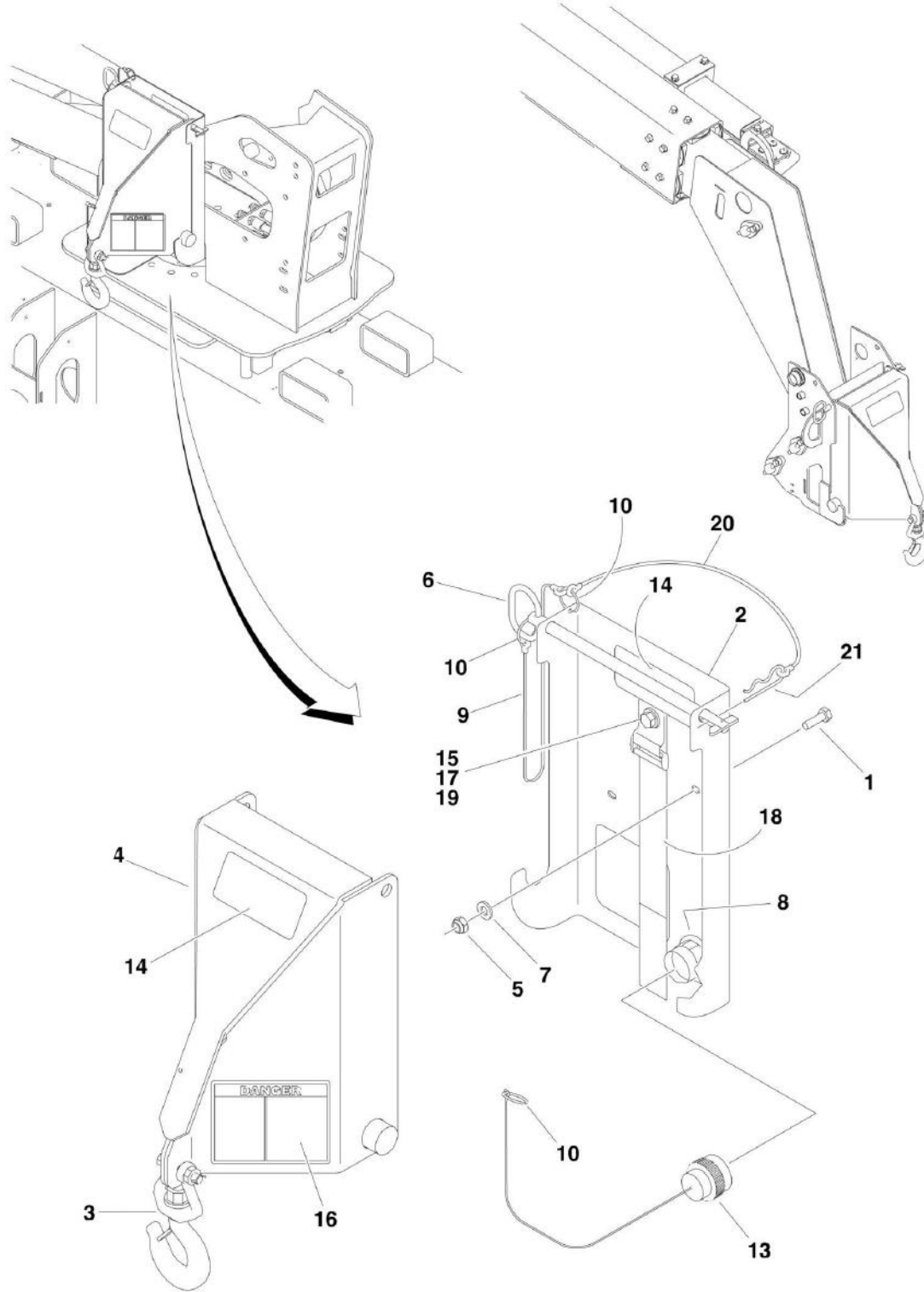


FIGURE 3-5. MATERIAL HOOK INSTALLATION (OPTIONAL)

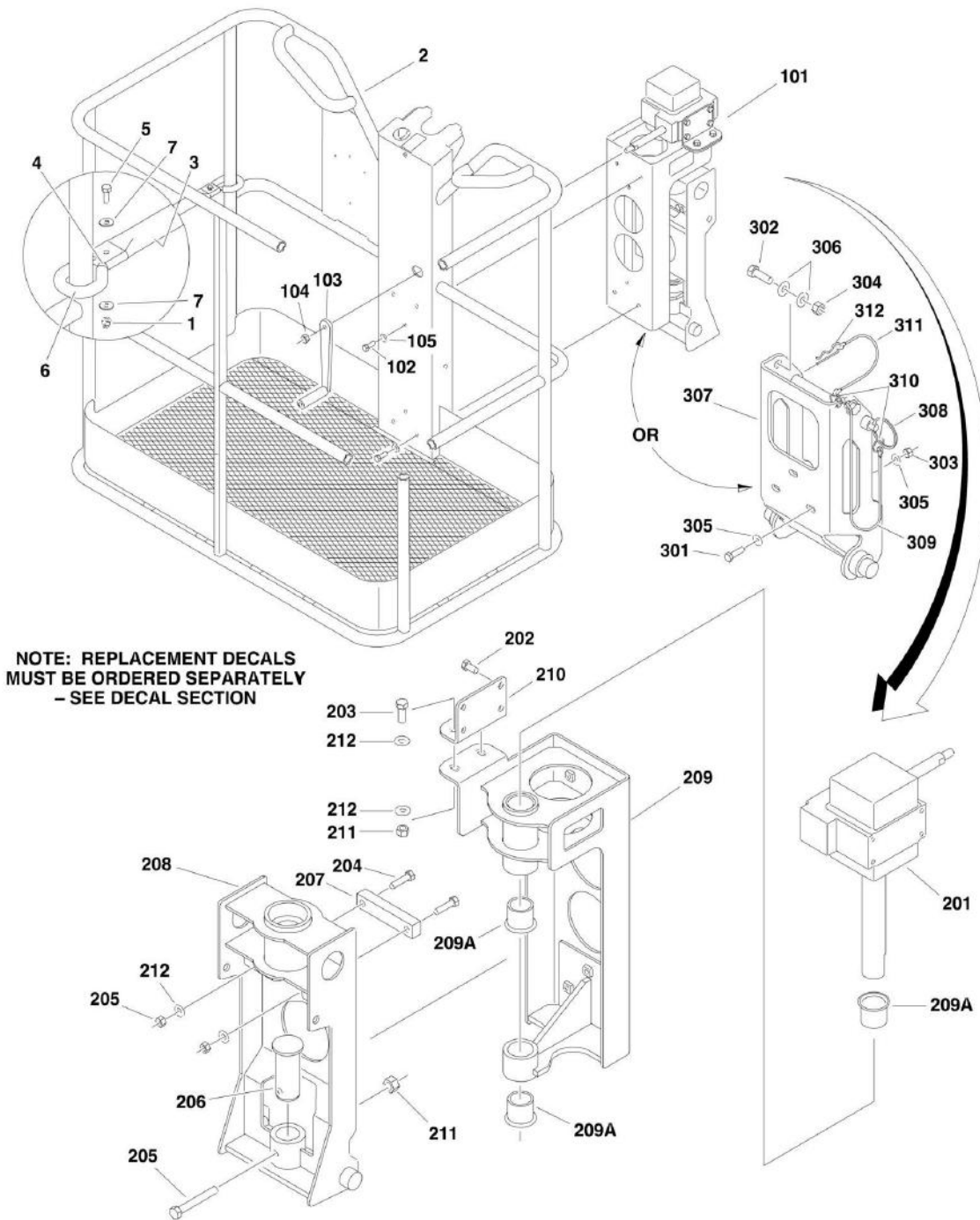
ITEM	PART NUMBER	QTY	DESCRIPTION	REV
	0273678	Ref	<b>MATERIAL HOOK INSTALLATION (OPTIONAL)</b>	F
1	0700610	2	Bolt 6mm x 20mm	
2	0903075	1	Bracket	
3	2700108	1	Hook, Swivel	
4	2700104	1	Attachment, Hook	
5	3290605	2	Locknut 6mm	
6	3423100	1	Pin, Gravity	
7	4811700	4	Flatwasher 6mm	
8	4923124	1	Harness, Hook Cable (See ELECTRICAL SECTION for Breakdown)	
9	1060697	1	Lanyard	
10	3760170	3	Ring, Split	
13	4461065	1	Cap, Terminal Dust with Lanyard	
14	1706313	2	Decal - Hook Capacity	
15	0641606	1	Bolt 3/8in-16NC x 3/4in	
16	1706128	1	Decal - Electrocution	
17	3311605	1	Locknut 3/8in-16NC	
18	4240003	1	Strap, Cinch	
19	4711600	2	Flatwasher 3/8in Thin	
20	1060799	1	Lanyard	
21	8310264	1	Hairpin	



**SECTION 4 - PLATFORM**

# SECTION 4 - PLATFORM

## FIGURE 4-1. PLATFORM AND ROTATOR INSTALLATIONS





## SECTION 4 - PLATFORM

### FIGURE 4-1. PLATFORM AND ROTATOR INSTALLATIONS

ITEM	PART NUMBER	QTY	DESCRIPTION	REV
		Ref	<b>PLATFORM ASSEMBLIES</b>	
	3510859	Ref	<b>Platform Assembly - 30in x 48in (76cm x 122cm) (Prior to SN 0030007469)</b>	I
	1001214179	Ref	<b>Platform Assembly - 30in x 48in (76cm x 122cm) (SN 0030007469 through 0030012032)</b>	D
1	2080063	2	Locknut 1/4in-20NC	
2	See Note	1	Platform (Note: Not Available - Purchase Complete Platform Assembly)	
3	3641585	1	Tube, Gate	
4	3841692	2	Rod, Gate	
5	0641406	2	Bolt 1/4in-20NC x 3/4in	
6	1560010	14	Conduit	
		in/36cm		
7	4751400	4	Flatwasher 1/4in Regular	
	0273676	Ref	<b>PLATFORM ROTATOR INSTALLATION (OPTIONAL)</b>	B
101	0060080 See Note	1	Rotator Sub-Assembly Note: P/N 0060080 is not available as an assembly. Purchase individual components.	
102	0641608	6	Bolt 3/8in-16NC x 1in	
103	2560184	1	Handle	
104	3271805	1	Locknut 1/2in-13NC (Grade 8)	
105	4711600	6	Flatwasher 3/8in Thin	
	0060080	Ref	<b>ROTATOR SUB-ASSEMBLY (OPTIONAL)</b>	B
		Ref	<b>Note: P/N 0060080 is not available as an assembly. Purchase individual components.</b>	
201	0060081	1	Rotator Assembly (See PLATFORM ROTATOR ASSEMBLY (OPTIONAL) for Breakdown)	
202	0641606	4	Bolt 3/8in-16NC x 3/4in	
203	0641608	2	Bolt 3/8in-16NC x 1in	
204	0641612	2	Bolt 3/8in-16NC x 1-1/2in	
205	0641622	1	Bolt 3/8in-16NC x 2-3/4in	
206	3423106	1	Pin	
207	3575058	1	Bar, Stop	
208	4340799	1	Pivot (Boom to Rotator Sub-Assembly)	
209	4340800	1	Pivot (Rotator Sub-Assembly to Platform)	
209A	0440319	3	Bushing, Flanged	
210	0903199	1	Bracket	
211	3311605	5	Locknut 3/8in-16NC	
212	4711600	6	Flatwasher 3/8in Thin	
	1001091364	Ref	<b>PLATFORM ADAPTER INSTALLATION (OPTIONAL) (USE ON MACHINES WITHOUT ROTATOR)</b>	B
301	0641608	3	Bolt 3/8in-16NC x 1in	
302	0641812	2	Bolt 1/2in-13NC x 1-1/2in	
303	3311605	3	Locknut 3/8in-16NC	
304	3311805	2	Locknut 1/2in-13NC	
305	4711600	6	Flatwasher 3/8in Thin	
306	4711800	6	Flatwasher 1/2in Thin	
307	1001091500	1	Adapter, Platform Support	
308	3423100	1	Pin, Gravity	
309	1060697	1	Lanyard	
310	3760170	2	Ring, Split	
311	1060799	1	Lanyard	

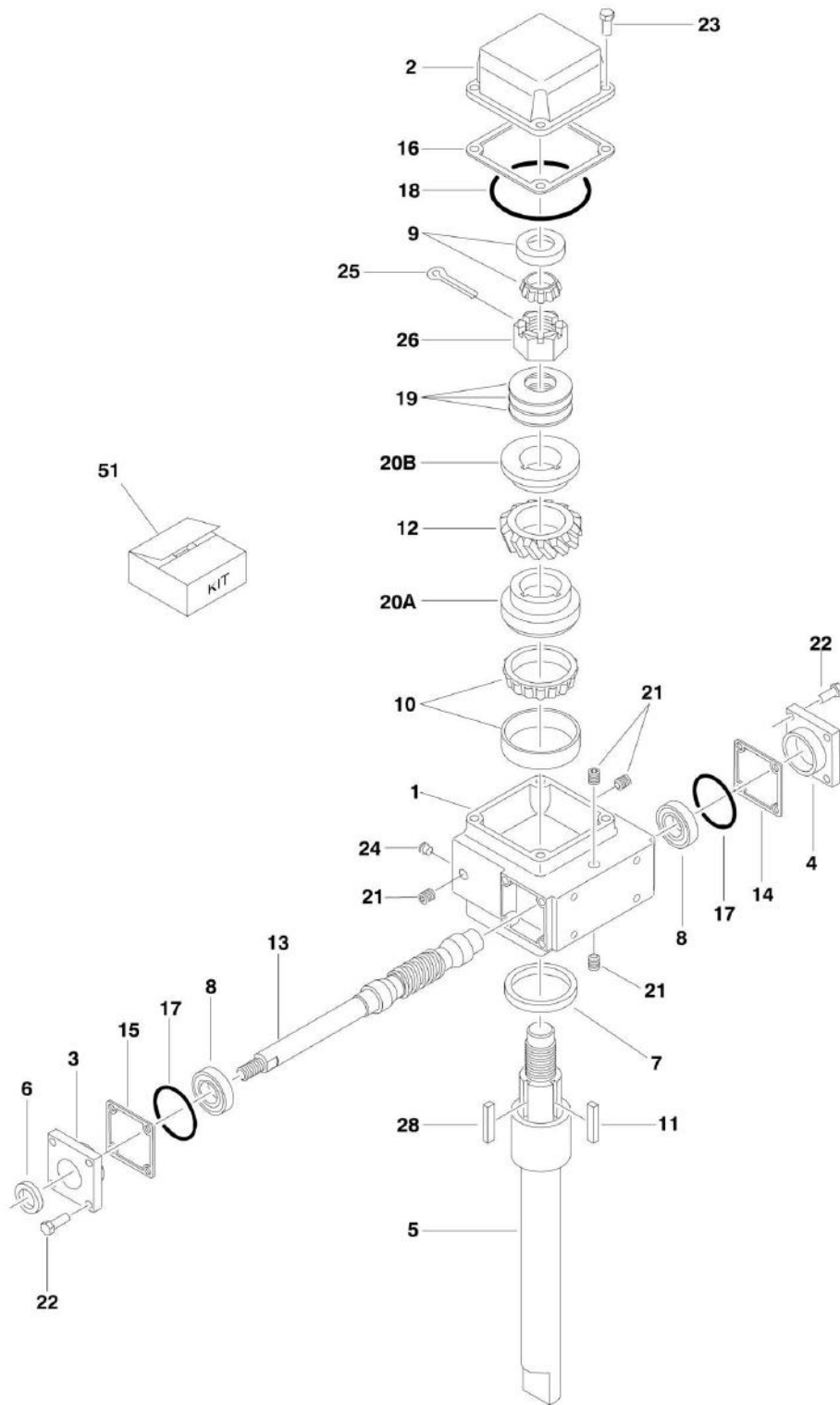
## SECTION 4 - PLATFORM

ITEM	PART NUMBER	QTY	DESCRIPTION	REV
312	8310264	1	Hairpin	



# SECTION 4 - PLATFORM

## FIGURE 4-2. PLATFORM ROTATOR ASSEMBLY (OPTIONAL)



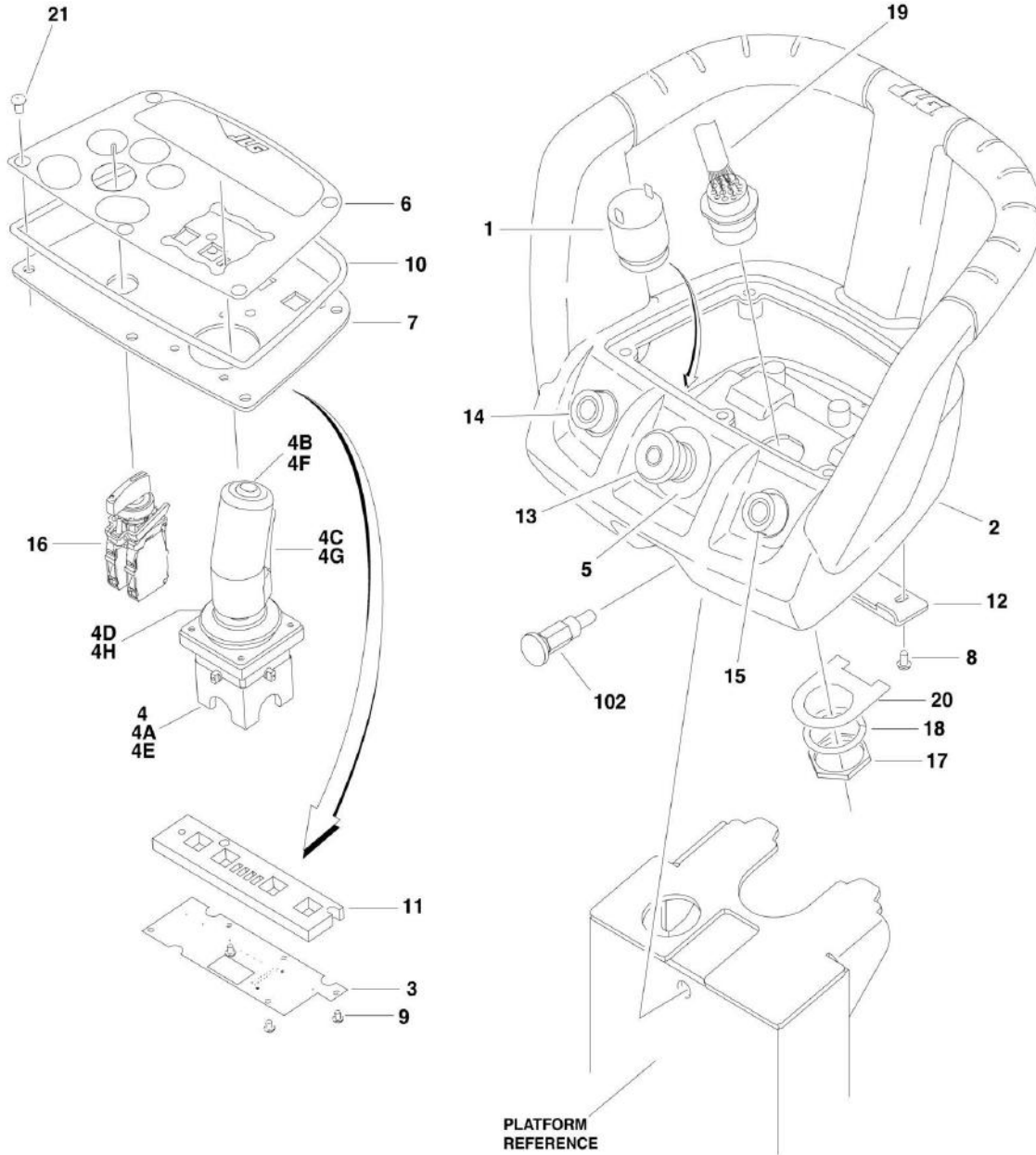
## SECTION 4 - PLATFORM

**FIGURE 4-2. PLATFORM ROTATOR ASSEMBLY (OPTIONAL)**

ITEM	PART NUMBER	QTY	DESCRIPTION	REV
	0060081	Ref	<b>PLATFORM ROTATOR ASSEMBLY</b>	C
1	See Note	1	Housing (Note: Not Available - Purchase Complete Platform Rotator Assembly p/n 0060081)	
2	7027742	1	Cover (Slow Speed)	
3	7027743	1	Cap (High Speed Open)	
4	7027744	1	Cap (High Speed Closed)	
5	7027745	1	Shaft (Slow Speed)	
6	7027746	1	Seal (High Speed)	
7	7027747	1	Seal (Low Speed)	
8	7027748	2	Bearing (High Speed)	
9	7027749	1	Cup, Bearing (Slow Speed)	
9	7027750	1	Cone, Bearing (Slow Speed)	
10	7027751	1	Cup, Bearing (Slow Speed)	
10	7027752	1	Cone (Slow Speed)	
11	7027753	1	Key	
12	7027899	1	Worm Gear (Slow Speed)	
13	7027755	1	Shaft, Worm Gear (High Speed)	
14	7027756	1	Gasket (High Speed)	
15	7027756	1	Gasket (High Speed)	
16	7027757	2	Gasket (Slow Speed)	
17	7027758	2	O-Ring (High Speed)	
18	7027759	1	O-Ring (Slow Speed)	
19	7027760	3	Washer, Belleville	
20		Ref	Hub, Gear Options:	
20A	7027899	1	Exterior Side	
20B	7027899	1	Nut Side	
21	See Note	6	Plug (Note: Not Available - Purchase Locally)	
22	0641506	8	Bolt 5/16in-18NC x 3/4in	
23	0941516	4	Bolt 5/16in-18NC x 2in	
24	See Note	4	Plug, Button (Note: Not Available - Purchase Locally)	
25	See Note	1	Pin, Cotter (Note: Not Available - Purchase Locally)	
26	7027763	1	Nut, Slotted 1 1/4in-12	
27	7027897	AR	Grease, Mobile SHC007 with Borate (Not Shown)	
28	7027768	1	Key	
51	7027899	1	Gear and Hub Kit (Includes Items 11, 12, 20A, 20B & 28)	

# SECTION 4 - PLATFORM

## FIGURE 4-3. CONSOLE BOX ASSEMBLY



## SECTION 4 - PLATFORM

### FIGURE 4-3. CONSOLE BOX ASSEMBLY

ITEM	PART NUMBER	QTY	DESCRIPTION	REV
		Ref	<b>CONSOLE BOX ASSEMBLY</b>	
		Ref	<b>Console Box Assembly (Prior to SN 0030001423)</b>	
	0273614	Ref	<b>Electric Powered Machines without Drive Option</b>	K
	0274033	Ref	<b>Electric Powered Machines with Drive Option</b>	H
	0273978	Ref	<b>Engine Powered Machines without Drive Option</b>	J
	0274032	Ref	<b>Engine Powered Machines with Drive Option</b>	H
		Ref	<b>Console Box Assembly (SN 0030001423 through 0030012032)</b>	
	0275413	Ref	<b>Electric Powered Machines without Drive Option</b>	D
	0275417	Ref	<b>Electric Powered Machines with Drive Option</b>	D
	0275414	Ref	<b>Engine Powered Machines without Drive Option</b>	D
	0275416	Ref	<b>Engine Powered Machines with Drive Option</b>	D
1	0140011	1	Alarm	
2	0861655	1	Box	
3	1600369	1	Module, PC Board	
4		Ref	Controller Options:	
4A		Ref	Controller for Machines Without Drive Option	
4A	1600381	1	Controller ( <b>Prior to SN 0030001423</b> )	D
4A	1600452	1	Controller ( <b>SN 0030001423 through 0030012032</b> )	A
4B	7027371	1	Boot (Black)	
4B	7027766	1	Ring, Boot Retaining	
4C	7027367	1	Switch, Push Button (Enable)	
4C	7027765	1	Lever, Enable	
4D	70000682	1	Boot, Panel (Used with controller p/n 1600452) ( <b>SN 0030001423 through 0030012032</b> )	
4E		Ref	Controller for Machines With Drive Option	
4E	1600390	1	Controller ( <b>Prior to SN 0030001423</b> )	D
4E	1600453	1	Controller ( <b>SN 0030001423 through 0030012032</b> )	A
4F	7027368	1	Boot (Green)	
4F	7027766	1	Ring, Boot Retaining	
4F	7027369	1	Switch, Push Button (Drive)	
4F	7027370	1	Actuator	
4G	7027765	1	Lever, Enable	
4G	7027367	1	Switch, Push Button (Enable)	
4H	70000682	1	Boot, Panel (Used with controller p/n 1600453) ( <b>SN 0030001423 through 0030012032</b> )	
5		Ref	Decal - Emergency Stop Options:	
5	1704260	1	Decal - Emergency Stop ( <b>Prior to SN 0030001423</b> )	
5	1706898	1	Decal - Emergency Stop ( <b>SN 0030001423 through 0030012032</b> )	
6		Ref	Decal - Faceplate Options:	
6	1705950	1	Machines Without Drive Option	
6	1706002	1	Machines With Drive Option	
7	3575304	1	Faceplate	
8	3900358	3	Screw, Button Head 6mm x 10mm	
9	3900359	3	Screw, Button Head 4mm x 6mm	
10		Ref	Seal, Adhesive Backed Options:	
10	3960583	1	Seal, Adhesive Backed (Use p/n 3960604) ( <b>Prior to SN 0030000205</b> )	
10	3960604	1	Seal, Adhesive Backed ( <b>SN 0030000205 through 0030012032</b> )	
11	3960584	1	Seal, Foam Gasket	

## SECTION 4 - PLATFORM

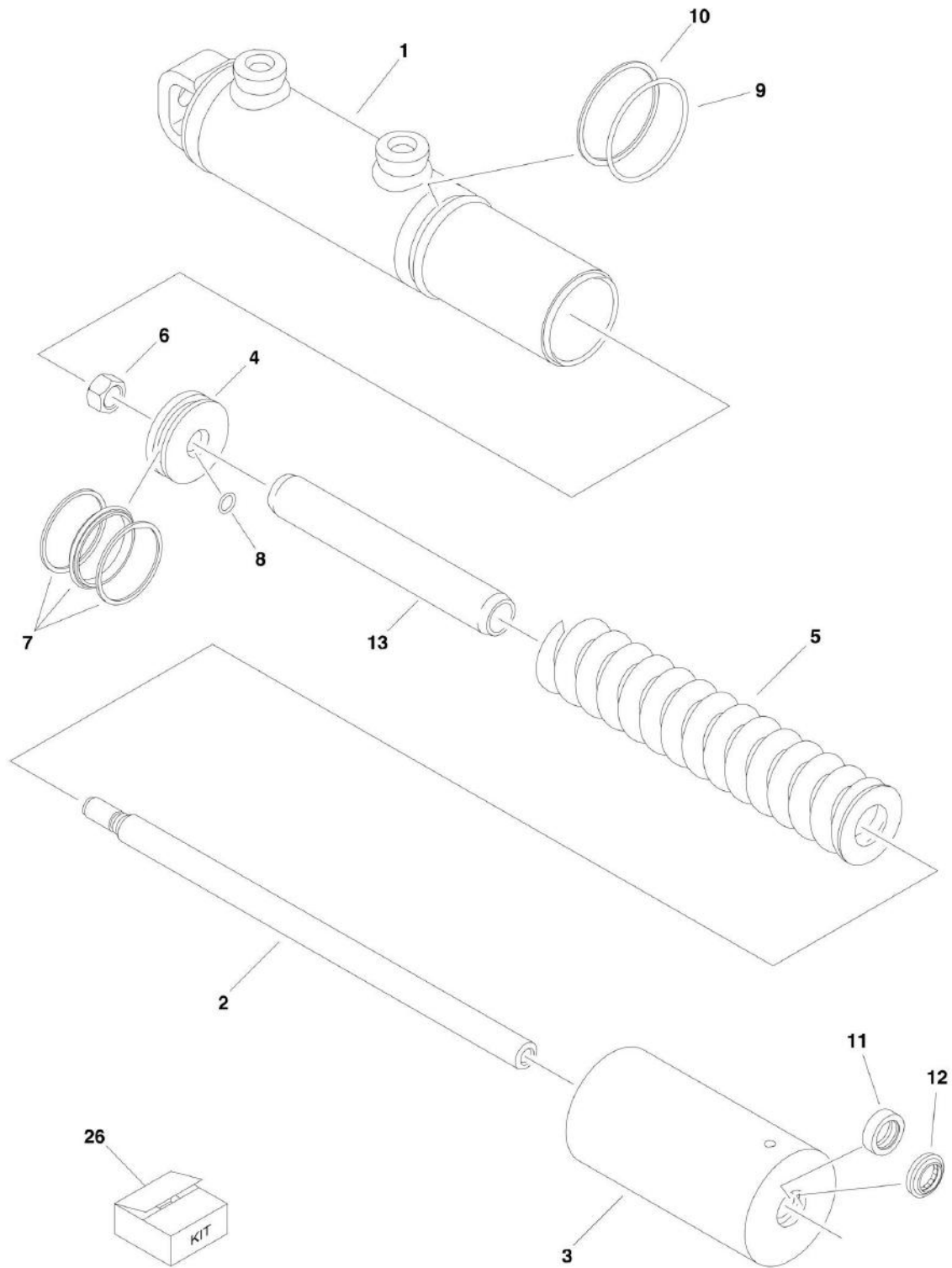
ITEM	PART NUMBER	QTY	DESCRIPTION	REV
12	4340871	1	Mount	
13	4360562	1	Switch, Emergency Stop	
14		Ref	Switch, Push Button (Black) Options:	
14	Not Required	0	Electric Powered Machines	
14	4360564	1	Engine Powered Machines	
15		Ref	Switch, Push Button (Yellow) Options:	
15	Not Required	0	Electric Powered Machines	
15	4360565	1	Engine Powered Machines	
16		Ref	Switch, Rotary Options:	
16	4360575	1	Switch, Rotary (Use p/n 4360612) <b>(Prior to SN 0030000205)</b>	
16	4360612	1	Switch, Rotary <b>(SN 0030000205 through 0030012032)</b>	
16	4360620	1	Machines with Drive Option	
17	4460497	1	Nut, Terminal	
18	4460496	1	Lockwasher, Terminal	
19		Ref	Harness, Console Box Options: (See ELECTRICAL SECTION for Breakdown)	
19	4923116	1	Electric Powered Machines without Drive Option	
19	4923127	1	Electric Powered Machines with Drive Option	
19	4923117	1	Engine Powered Machines without Drive Option	
19	4923126	1	Engine Powered Machines with Drive Option	
20	3575796	1	Plate with D Shaped Slot	
21	3900357	5	Screw, Button Head 6mm x 16mm	
		Ref	<b>CONSOLE BOX INSTALLATION</b>	
	0273941	Ref	<b>Electric Powered Machines without Drive Option</b>	B
	0274026	Ref	<b>Electric Powered Machines with Drive Option</b>	B
	0274030	Ref	<b>Engine Powered Machines without Drive Option</b>	B
	0274028	Ref	<b>Engine Powered Machines with Drive Option</b>	B
102	2940160	1	Latch	



**SECTION 5 - CYLINDER**

# SECTION 5 - CYLINDER

## FIGURE 5-1. BRAKE RELEASE CYLINDER ASSEMBLY



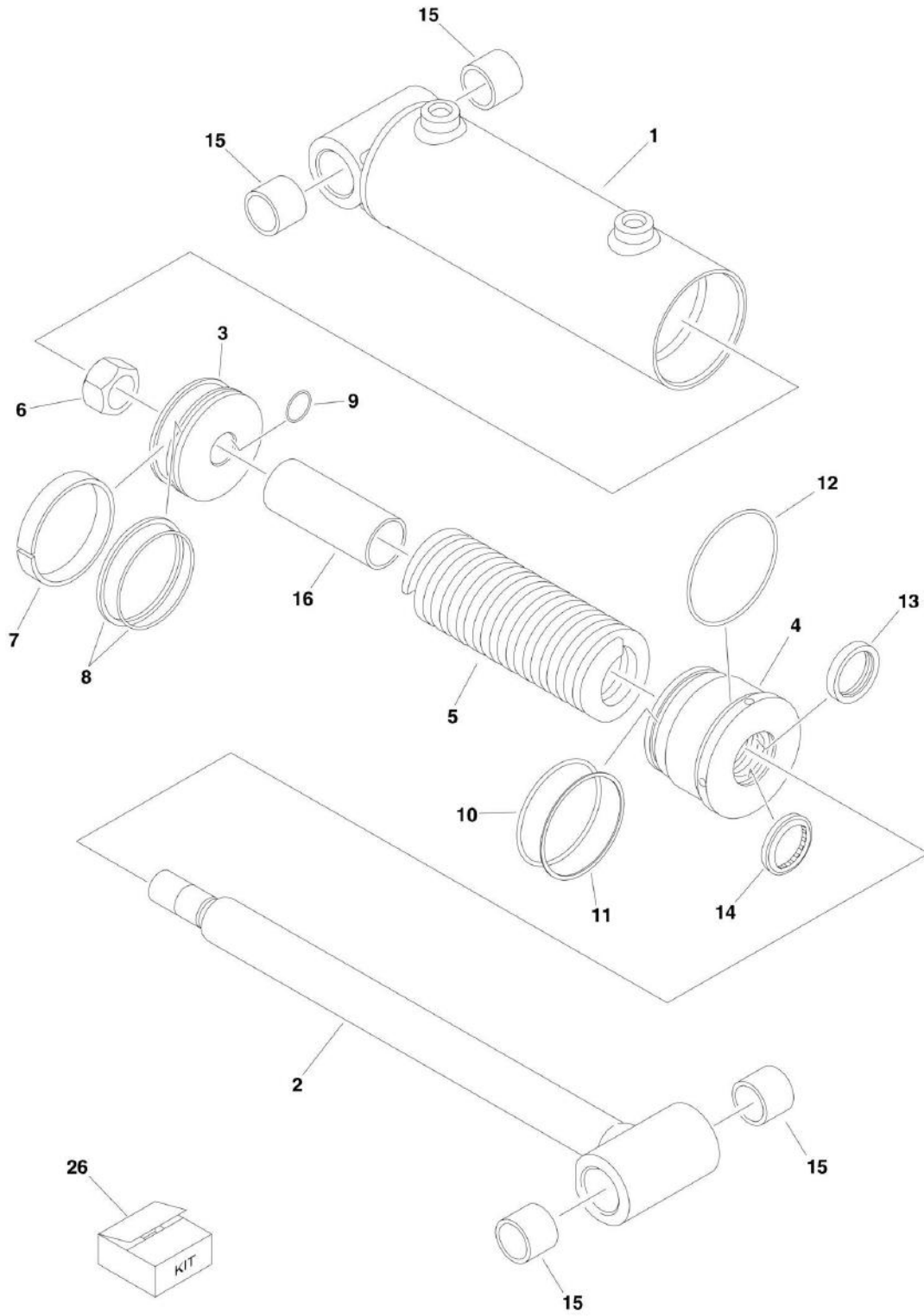
## SECTION 5 - CYLINDER

**FIGURE 5-1. BRAKE RELEASE CYLINDER ASSEMBLY**

ITEM	PART NUMBER	QTY	DESCRIPTION	REV
		Ref	<b>BRAKE RELEASE CYLINDER ASSEMBLIES:</b>	
	1684466	Ref	<b>ANSI and ANSI Export Specs (Prior to SN 0030001444)</b>	B
	1684507	Ref	<b>ANSI and ANSI Export Specs (SN 0030001444 through 0030007740)</b>	A
	1001193948	Ref	<b>ANSI and ANSI Export Specs (SN 0030007741 through 0030012032)</b>	B
	1684507	Ref	<b>CE Specs (Prior to SN 0030007344)</b>	A
	1001193948	ref	<b>CE Specs (SN 0030007344 through 0030012032)</b>	B
1	70000112	1	Barrel	
2	70000115	1	Rod	
3	70000116	1	Head	
4	70000117	1	Piston	
5	70000114	1	Spring	
6	70000113	1	Nut	
7	70000111	1	O-Ring	
7	70000111	2	Ring, Back-up	
8	70000111	1	O-Ring	
9	70000111	1	O-Ring	
10	70000111	1	Ring, Back-up	
11	70000111	1	Seal, Rod	
12	70000111	1	Wiper	
13	70000118	1	Spacer	
26	70000111	1	Seal Kit - Cylinder (Includes Items 7-12)	

# SECTION 5 - CYLINDER

## FIGURE 5-2. DRIVE ENGAGE CYLINDER ASSEMBLY



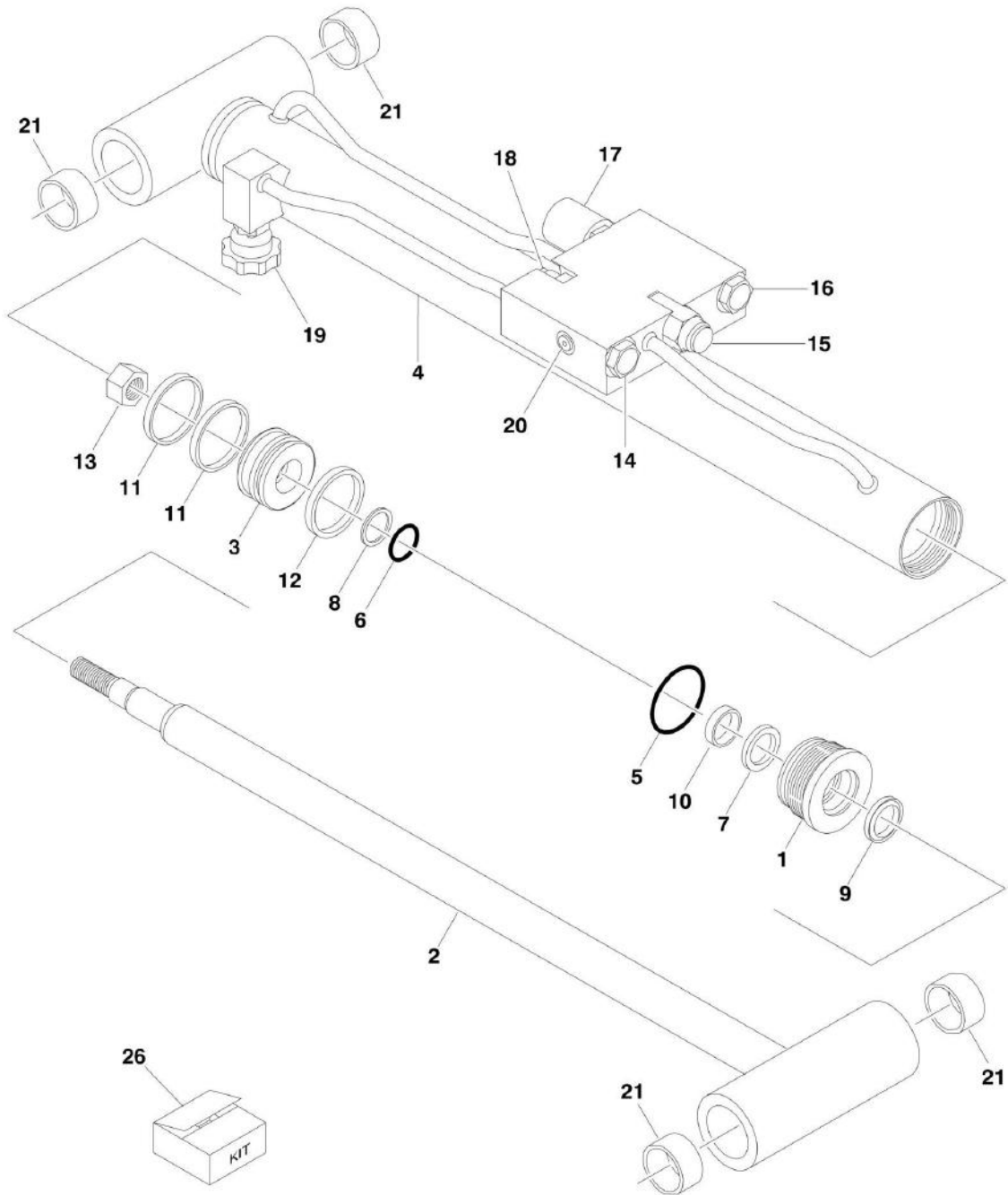
## SECTION 5 - CYLINDER

**FIGURE 5-2. DRIVE ENGAGE CYLINDER ASSEMBLY**

ITEM	PART NUMBER	QTY	DESCRIPTION	REV
		Ref	<b>DRIVE ENGAGE CYLINDER ASSEMBLY</b>	
	1684467	Ref	<b>Drive Engage Cylinder Assembly T350</b>	A
	1684468	Ref	<b>Drive Engage Cylinder Assembly T500J</b>	A
1	70000984	1	Barrel	
2		Ref	Rod Options:	
2	70000983	1	Rod T350	
2	70000987	1	Rod T500J	
3	70000981	1	Piston	
4	70000982	1	Head	
5	70000985	1	Spring	
6	7017335	1	Locknut	
7	70000979	1	Ring, Wear	
8	70000979	1	Seal, Piston	
9	70000979	1	O-Ring	
10	70000979	1	O-Ring	
11	70000979	1	Seal	
12	70000979	1	O-Ring	
13	70000979	1	Seal, Rod	
14	70000979	1	Wiper	
15	70000986	4	Bushing	
16	70000980	1	Spacer	
26	70000979	1	Seal Kit (Includes Items 7-14)	

# SECTION 5 - CYLINDER

## FIGURE 5-3. JIB CYLINDER ASSEMBLY (T500J ONLY)



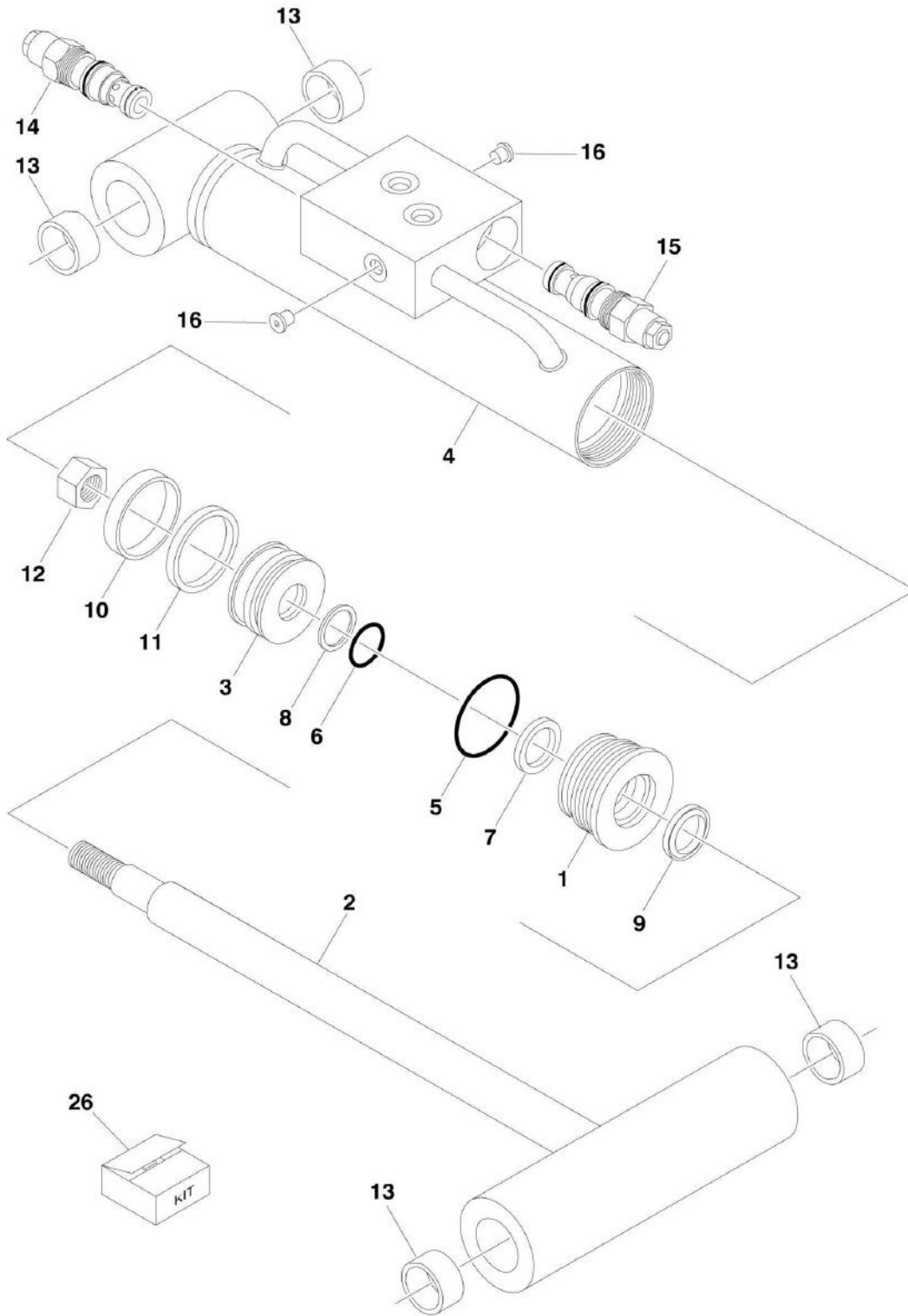
## SECTION 5 - CYLINDER

**FIGURE 5-3. JIB CYLINDER ASSEMBLY (T500J ONLY)**

ITEM	PART NUMBER	QTY	DESCRIPTION	REV
		Ref	<b>JIB CYLINDER ASSEMBLY (T500J ONLY)</b>	
	1684432	Ref	<b>Jib Cylinder Assembly (Prior to SN 0030001101)</b>	B
	See Note	Ref	<b>Jib Cylinder Assembly (Note: These machines may have either 1684432 or 1684494 installation. Contact JLG Parts Dept. to identify configuration.) (SN 0030001102 through 0030001170)</b>	
	1684494	Ref	<b>Jib Cylinder Assembly (SN 0030001171 through 0030012032)</b>	B
1	7027342	1	Head	
2	7027708	1	Rod	
3	7027338	1	Piston	
4		Ref	Barrel Options:	
4	7027709	1	1684432 - Jib Cylinder	
4	70000190	1	1684494 - Jib Cylinder	
5	7027711	1	O-Ring	
6	7027711	1	O-Ring	
7	7027711	1	Seal, Rod	
8	7027711	1	Ring, Back-up	
9	7027711	1	Wiper, Rod	
10	7027711	1	Ring, Wear	
11	7027711	2	Ring, Wear	
12	7027711	1	Seal, Piston	
13	7027710	1	Nut	
14	7012975	1	Cartridge, Check	
14	7012540	1	Seal Kit - 7012975 Cartridge	
15	7024888	1	Cartridge, Relief	
15	7012972	1	Seal Kit - 7024888 Cartridge	
16	7024887	1	Cartridge, Check	
16	7012998	1	Seal Kit - 7024887 Cartridge	
17	7024884	1	Cartridge, Solenoid Less Coil	
17	7012967	1	Seal Kit - 7024884 Cartridge	
17	7024885	1	Coil	
18	7011380	1	Cartridge, Counterbalance	
18	2900770	1	Seal Kit - 7011380 Cartridge	
19	4640902	1	Cartridge, Needle Valve	
19	7012953	1	Seal Kit - 4640902 Cartridge	
19	7012961	1	Knob	
20	2220881	4	Plug	
21	0962257	4	Bushing	
26	7027711	1	Seal Kit (Includes Items 5-12)	

# SECTION 5 - CYLINDER

FIGURE 5-4. PLATFORM LEVEL (SLAVE) CYLINDER ASSEMBLY (T350)





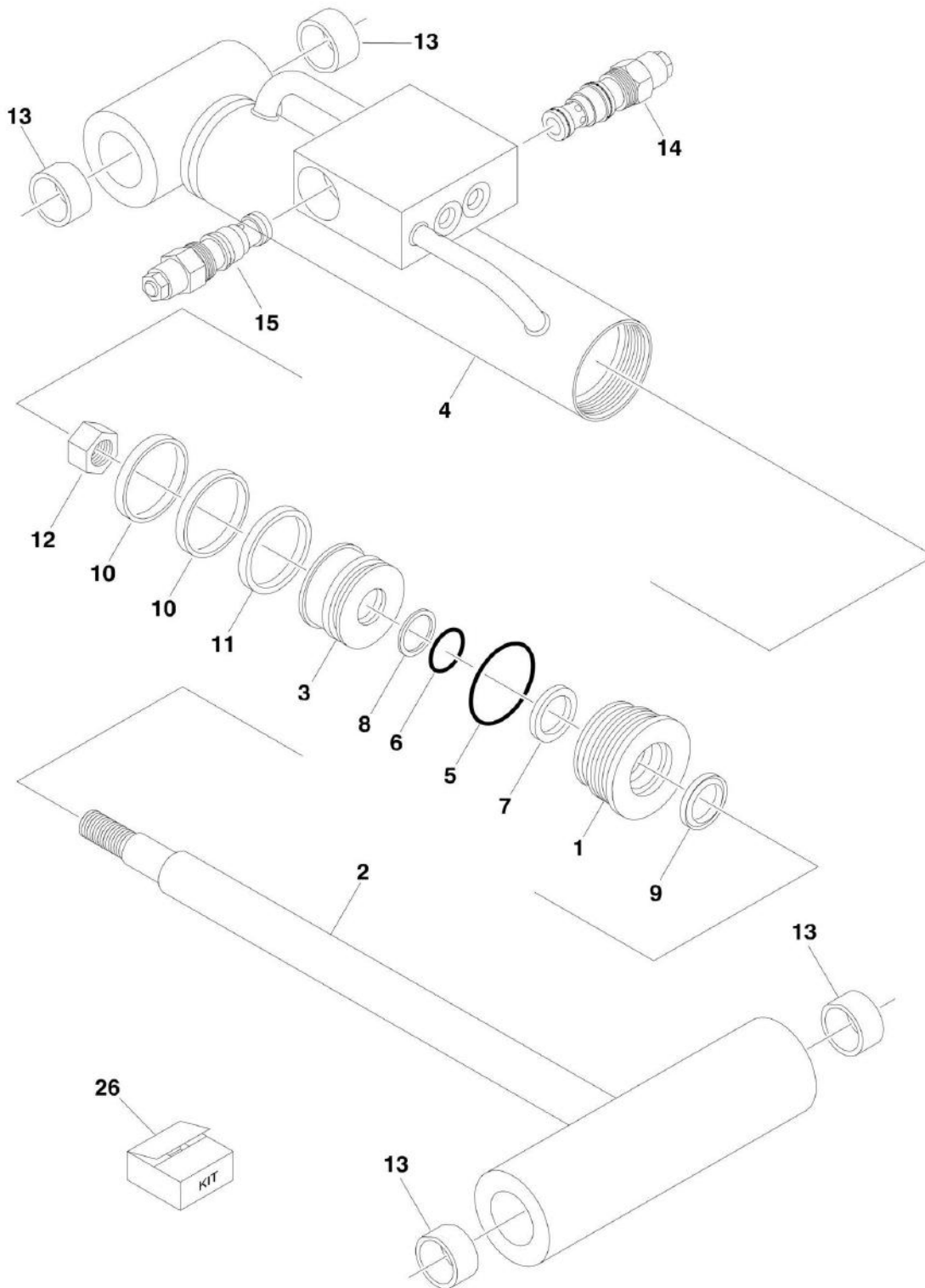
## SECTION 5 - CYLINDER

**FIGURE 5-4. PLATFORM LEVEL (SLAVE) CYLINDER ASSEMBLY (T350)**

ITEM	PART NUMBER	QTY	DESCRIPTION	REV
		Ref	<b>PLATFORM LEVEL CYLINDER ASSEMBLY (T350)</b>	
	1684373	Ref	<b>Platform Level Cylinder Assembly T350</b>	D
1	7027336	1	Head	
2	7027348	1	Rod	
3	7027338	1	Piston	
4	7027349	1	Barrel	
5	7027341	1	O-Ring	
6	7027341	1	O-Ring	
7	7027341	1	Seal, Rod	
8	7027341	1	Ring, Back-up	
9	7027341	1	Wiper	
10	7027341	1	Ring, Wear	
11	7027341	1	Seal, Piston	
12	7027340	1	Locknut	
13	0961947	4	Bushing	
14	7011377	1	Cartridge	
14	7011358	1	Seal Kit - 7011377 Cartridge	
15	7011378	1	Cartridge	
15	2900770	1	Seal Kit - 7011378 Cartridge	
16	2220881	2	Plug	
26	7027341	1	Seal Kit (Includes Items 5-11)	

# SECTION 5 - CYLINDER

## FIGURE 5-5. PLATFORM LEVEL (SLAVE) CYLINDER ASSEMBLY (T500J)



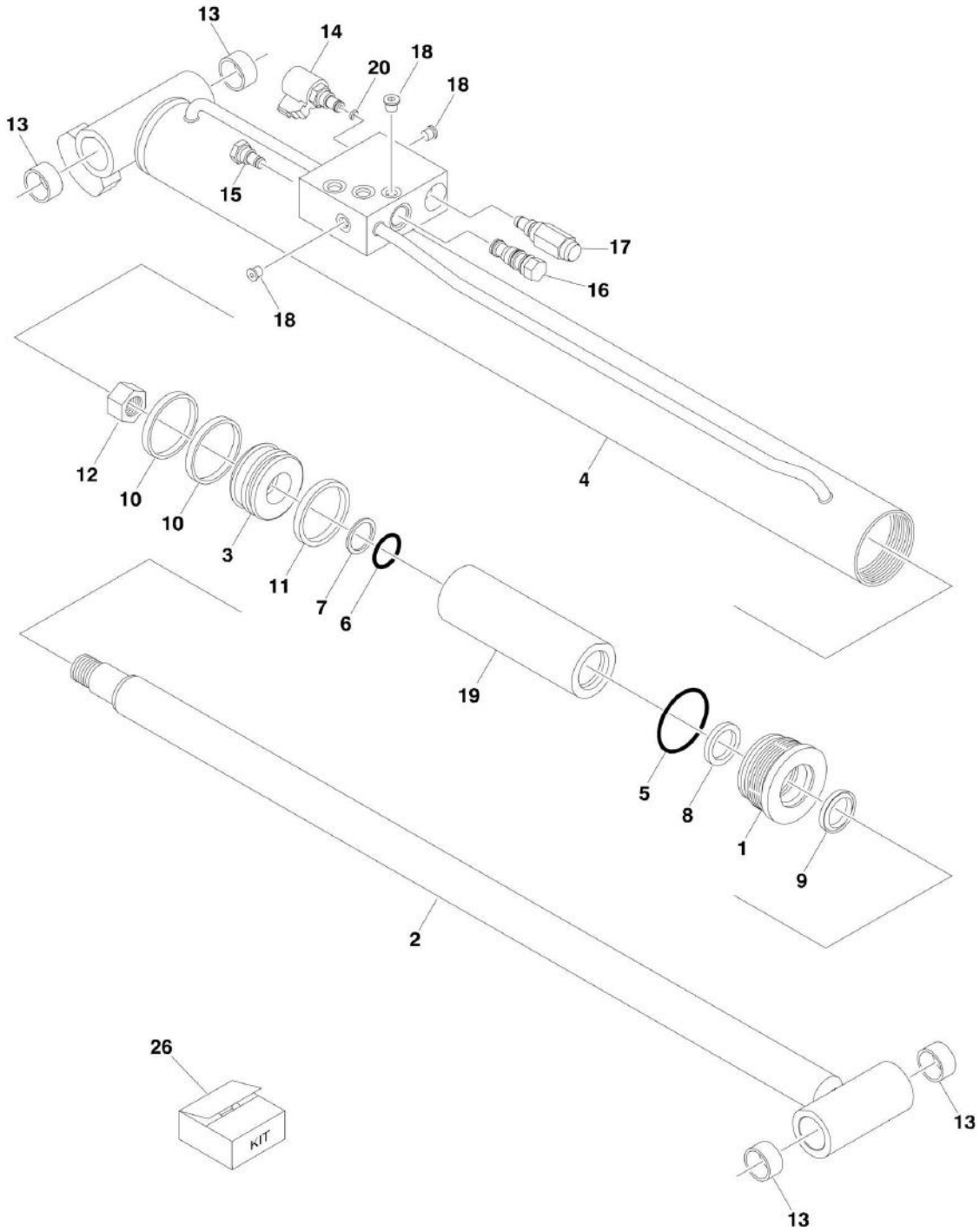
## SECTION 5 - CYLINDER

**FIGURE 5-5. PLATFORM LEVEL (SLAVE) CYLINDER ASSEMBLY (T500J)**

ITEM	PART NUMBER	QTY	DESCRIPTION	REV
		Ref	<b>PLATFORM LEVEL CYLINDER ASSEMBLY (T500J)</b>	
	1684397	Ref	<b>Platform Level Cylinder Assembly T500J</b>	C
1	7027694	1	Head	
2	7027695	1	Rod	
3	7027696	1	Piston	
4	7027697	1	Barrel	
5	7027698	1	O-Ring	
6	7027698	1	O-Ring	
7	7027698	1	Seal, Rod	
8	7027698	1	Ring, Back-up	
9	7027698	1	Wiper	
10	7027698	2	Ring, Wear	
11	7027698	1	Seal, Piston	
12	7027340	1	Locknut	
13	0961947	4	Bushing	
14	7011377	1	Cartridge	
14	7011358	1	Seal Kit - 7011377 Cartridge	
15	7011378	1	Cartridge	
15	2900770	1	Seal Kit - 7011378 Cartridge	
26	7027698	1	Seal Kit (Includes Items 5-11)	

# SECTION 5 - CYLINDER

## FIGURE 5-6. LIFT CYLINDER ASSEMBLY



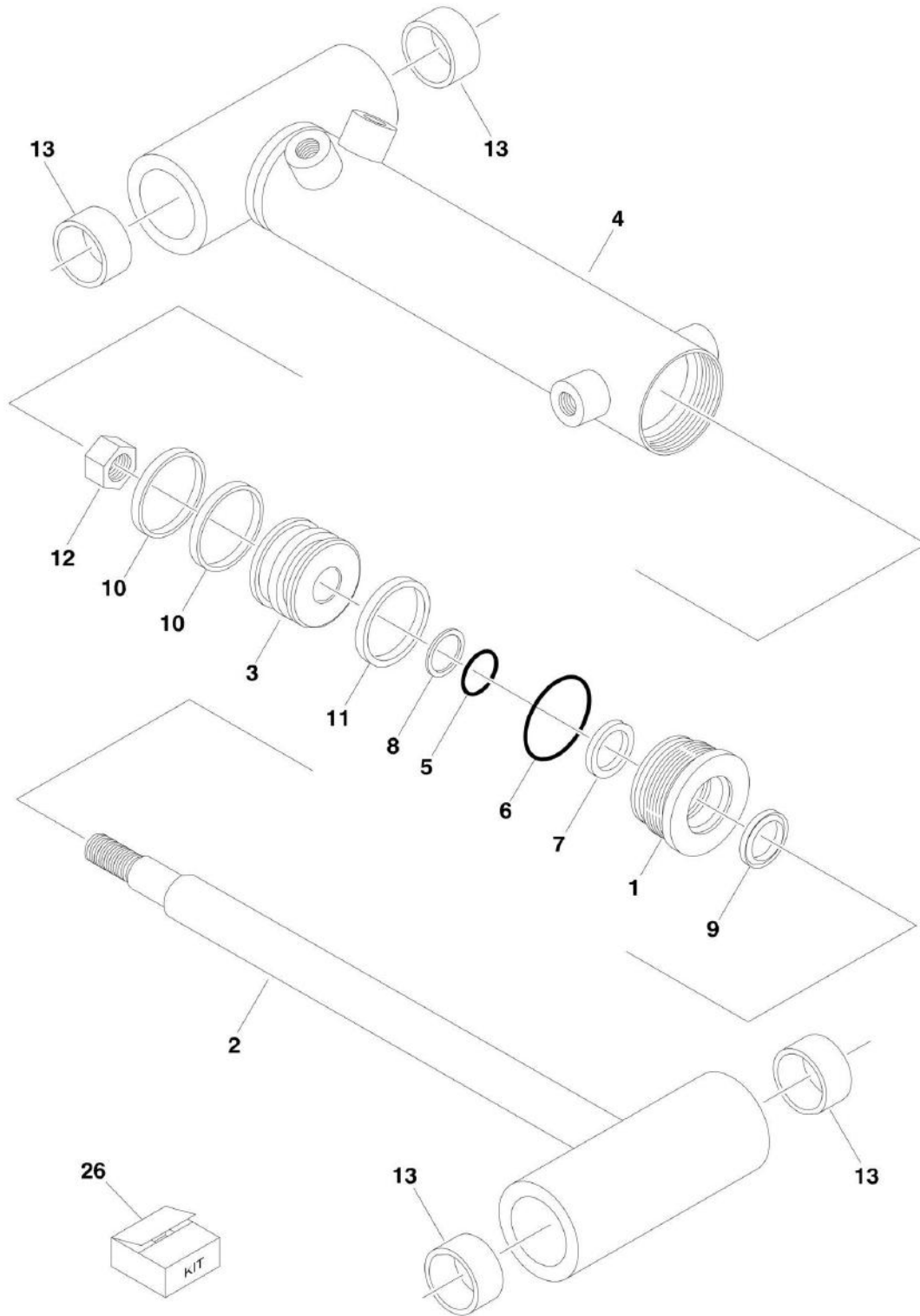
## SECTION 5 - CYLINDER

### FIGURE 5-6. LIFT CYLINDER ASSEMBLY

ITEM	PART NUMBER	QTY	DESCRIPTION	REV
		Ref	<b>LIFT CYLINDER ASSEMBLY</b>	
	1684433	Ref	<b>Lift Cylinder Assembly T350</b>	F
	1684434	Ref	<b>Lift Cylinder Assembly T500J</b>	F
1		Ref	Head Options:	
1	7027329	1	Head T350	
1	7027712	1	Head T500J	
2		Ref	Rod Options:	
2	7027330	1	Rod T350	
2	7027713	1	Rod T500J	
3		Ref	Piston Options:	
3	7027331	1	Piston T350	
3	7027714	1	Piston T500J	
4		Ref	Barrel Options:	
4	7027332	1	Barrel T350	
4	7027715	1	Barrel T500J	
5	See Note	1	O-Ring (Note: Use Item 26)	
6	See Note	1	O-Ring (Note: Use Item 26)	
7	See Note	1	Ring, Back-up (Note: Use Item 26)	
8	See Note	1	Seal, Rod (Note: Use Item 26)	
9	See Note	1	Wiper (Note: Use Item 26)	
10	See Note	2	Ring, Wear (Note: Use Item 26)	
11	See Note	1	Seal, Piston (Note: Use Item 26)	
12	7027334	1	Locknut	
13		Ref	Bushing Options:	
13	0962257	4	Bushing T350	
13	0961948	4	Bushing T500J	
14	7024884	1	Cartridge Less Coil	
14	7012967	1	Seal Kit - 7024884 Cartridge	
14	7024885	1	Coil	
15	7012955	1	Cartridge, Check	
15	7012967	1	Seal Kit - 7012955 Cartridge	
16	4640438	1	Cartridge, Pilot Check	
16	2900770	1	Seal Kit - 4640438 Cartridge	
17	7024886	1	Cartridge, Relief	
17	7012972	1	Seal Kit - 7024886 Cartridge	
18	2220883	3	Plug	
19	See Note	1	Spacer (Note: Not available for purchase)	
20	70004315	1	Orifice	
26		Ref	Seal Kit Options (Includes Items 5-11):	
26	7027335	1	Seal Kit T350	
26	7027716	1	Seal kit T500J	

# SECTION 5 - CYLINDER

## FIGURE 5-7. MASTER CYLINDER ASSEMBLY



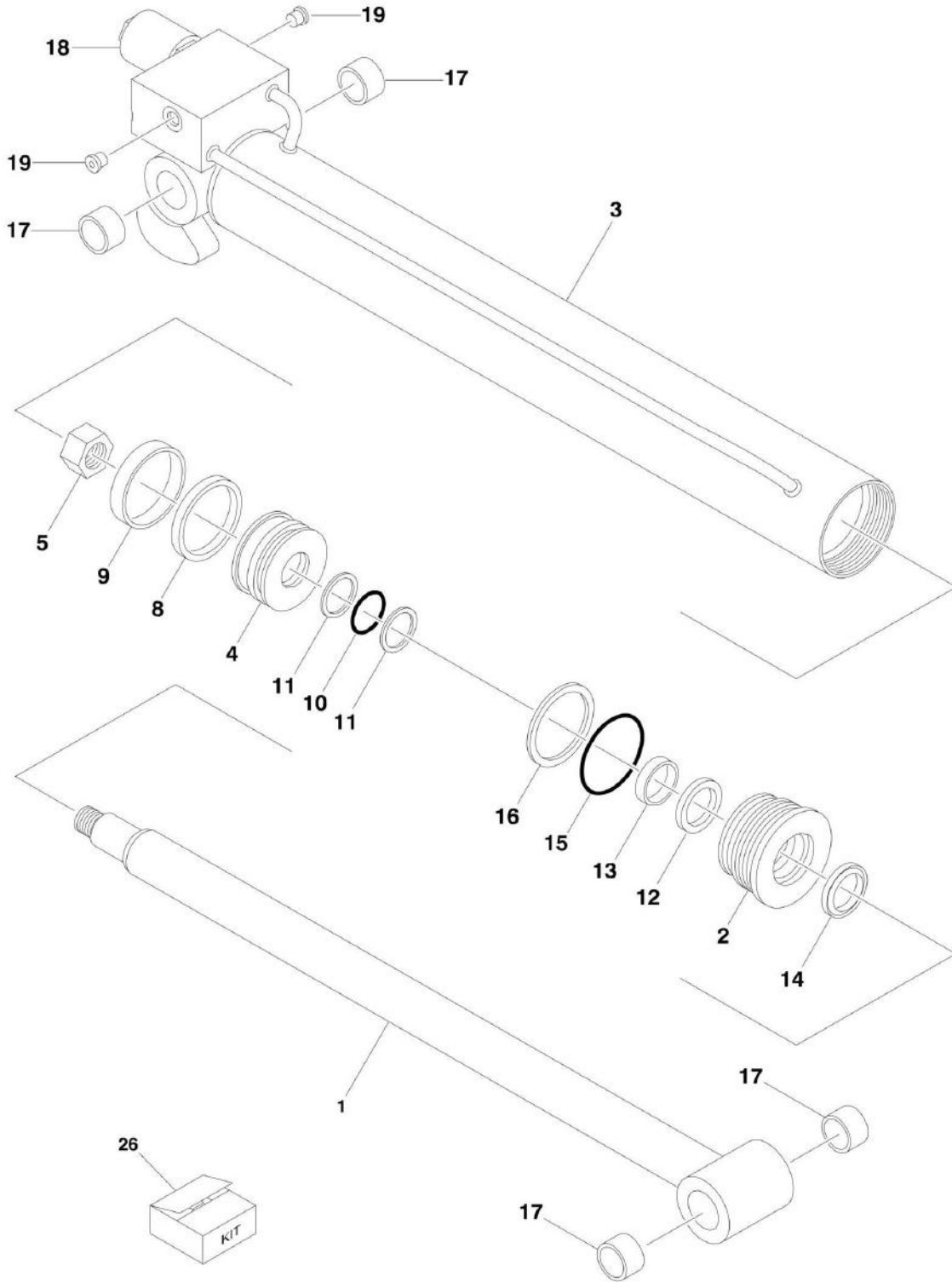
## SECTION 5 - CYLINDER

### FIGURE 5-7. MASTER CYLINDER ASSEMBLY

ITEM	PART NUMBER	QTY	DESCRIPTION	REV
		Ref	<b>MASTER CYLINDER ASSEMBLY</b>	
	1684415	Ref	<b>Master Cylinder Assembly T350</b>	C
	1684398	Ref	<b>Master Cylinder Assembly T500J</b>	C
1		Ref	Head Options:	
1	7027336	1	Head T350	
1	7027694	1	Head T500J	
2		Ref	Rod Options:	
2	7027337	1	Rod T350	
2	7027699	1	Rod T500J	
3		Ref	Piston Options:	
3	7027338	1	Piston T350	
3	7027696	1	Piston T500J	
4		Ref	Barrel Options:	
4	7027339	1	Barrel T350	
4	7027700		Barrel T500J	
5	See Note	1	O-Ring (Note: Use Item 26)	
6	See Note	1	O-Ring (Note: Use Item 26)	
7	See Note	1	Seal, Rod (Note: Use Item 26)	
8	See Note	1	Ring, Back-up (Note: Use Item 26)	
9	See Note	1	Wiper (Note: Use Item 26)	
10	See Note	AR	Ring, Wear Options: (Note: Use Item 26)	
10		Ref	Ring Wear T350	
10		Ref	Ring Wear T500J	
11	See Note	1	Seal, Piston (Note: Use Item 26)	
12	7027340	1	Locknut	
13	0962257	4	Bushing	
26		Ref	Seal Kit Options (Includes Items 5-11):	
26	7027341	1	Seal Kit T350	
26	7027698	1	Seal kit T500J	

# SECTION 5 - CYLINDER

## FIGURE 5-8. OUTRIGGER CYLINDER ASSEMBLY





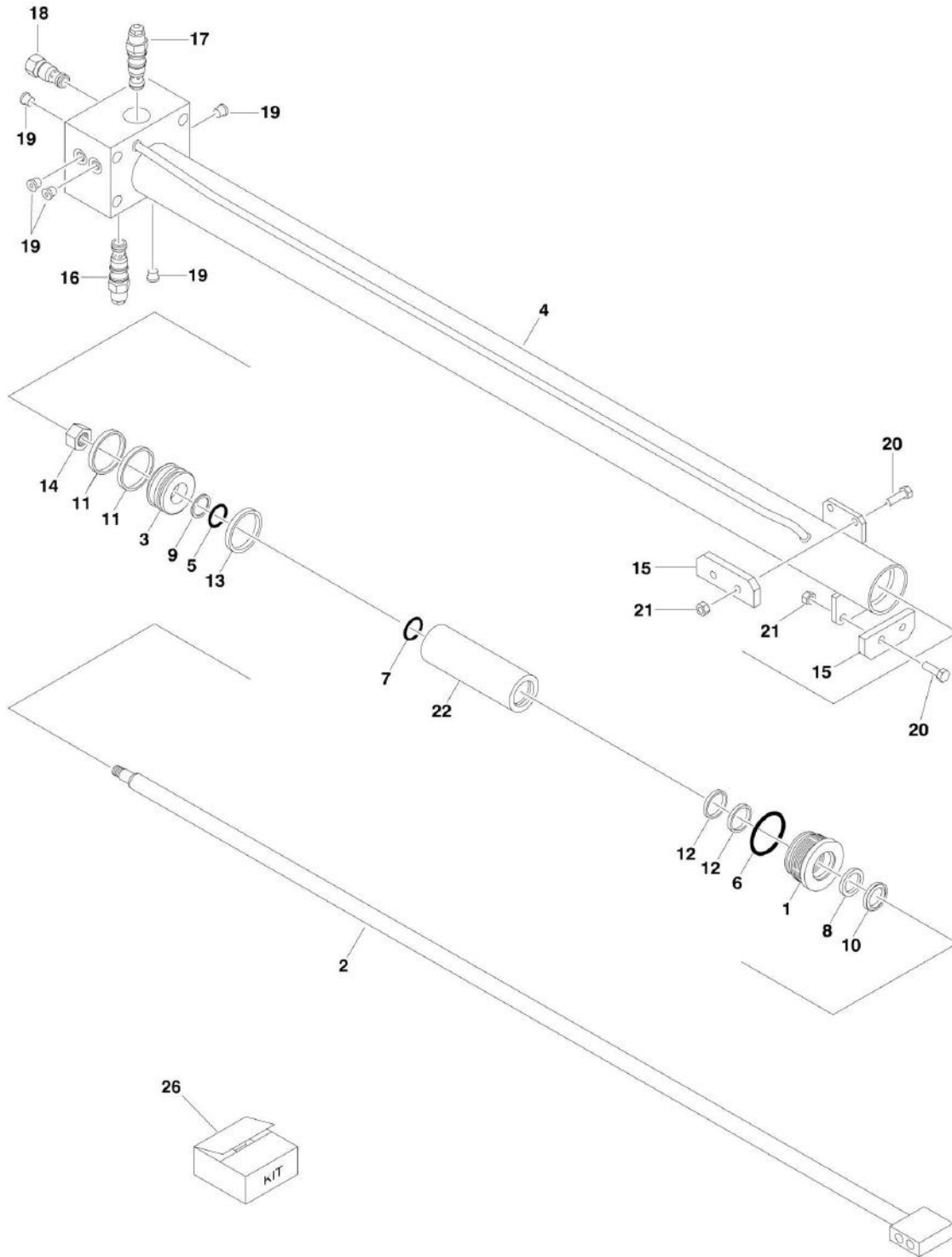
## SECTION 5 - CYLINDER

### FIGURE 5-8. OUTRIGGER CYLINDER ASSEMBLY

ITEM	PART NUMBER	QTY	DESCRIPTION	REV
		Ref	<b>OUTRIGGER CYLINDER ASSEMBLY</b>	
	1684429	Ref	<b>Outrigger Cylinder Assembly (T350 Prior to SN 0030000100)</b>	C
	1684442	Ref	<b>Outrigger Cylinder Assembly (T350 SN 0030000100 through 0030012032)</b>	E
	1684431	Ref	<b>Outrigger Cylinder Assembly (T500J Prior to SN 0030000010)</b>	C
	1684443	Ref	<b>Outrigger Cylinder Assembly (T500J SN 0030000010 through 0030012032)</b>	E
1		Ref	Rod Options:	
1	7027315	1	Rod T350	
1	7027320	1	Rod T500J	
2		Ref	Head Options:	
2	7027316	1	Head T350	
2	7027321	1	Head T500J	
3		Ref	Barrel Options:	
3	7027317	1	Barrel T350	
3	7027322	1	Barrel T500J	
4		Ref	Piston Options:	
4	7027318	1	Piston T350	
4	7027323	1	Piston T500J	
5		Ref	Locknut Options:	
5	7023391	1	Locknut T350	
5	7027324	1	Locknut T500J	
8	See Note	1	T-Seal (Note: Use Item 26)	
9	See Note	1	Ring, Wear (Note: Use Item 26)	
10	See Note	1	O-Ring (Note: Use Item 26)	
11	See Note	2	Ring, Back-up (Note: Use Item 26)	
12	See Note	1	Seal, Rod (Note: Use Item 26)	
13	See Note	1	Ring, Wear (Note: Use Item 26)	
14	See Note	1	Wiper (Note: Use Item 26)	
15	See Note	1	O-Ring (Note: Use Item 26)	
16	See Note	1	Ring, Back-up (Note: Use Item 26)	
17		Ref	Bushing Options:	
17	0962292	4	Bushing T350	
17	0961948	4	Bushing T500J	
18	7024882	1	Cartridge Less Coil	
18	7012953	1	Seal Kit - 7024882 Cartridge	
18	7024883	1	Coil (Note: Orient Electrical Connector Toward Center of Cams.)	
19	See Note	2	Plug (Note: Not available for purchase)	
26		Ref	Seal Kit Options (Includes Items 8-16):	
26	7027319	1	Seal Kit T350	
26	7027325	1	Seal Kit T500J	

# SECTION 5 - CYLINDER

## FIGURE 5-9. TELESCOPE CYLINDER ASSEMBLY



## SECTION 5 - CYLINDER

### FIGURE 5-9. TELESCOPE CYLINDER ASSEMBLY

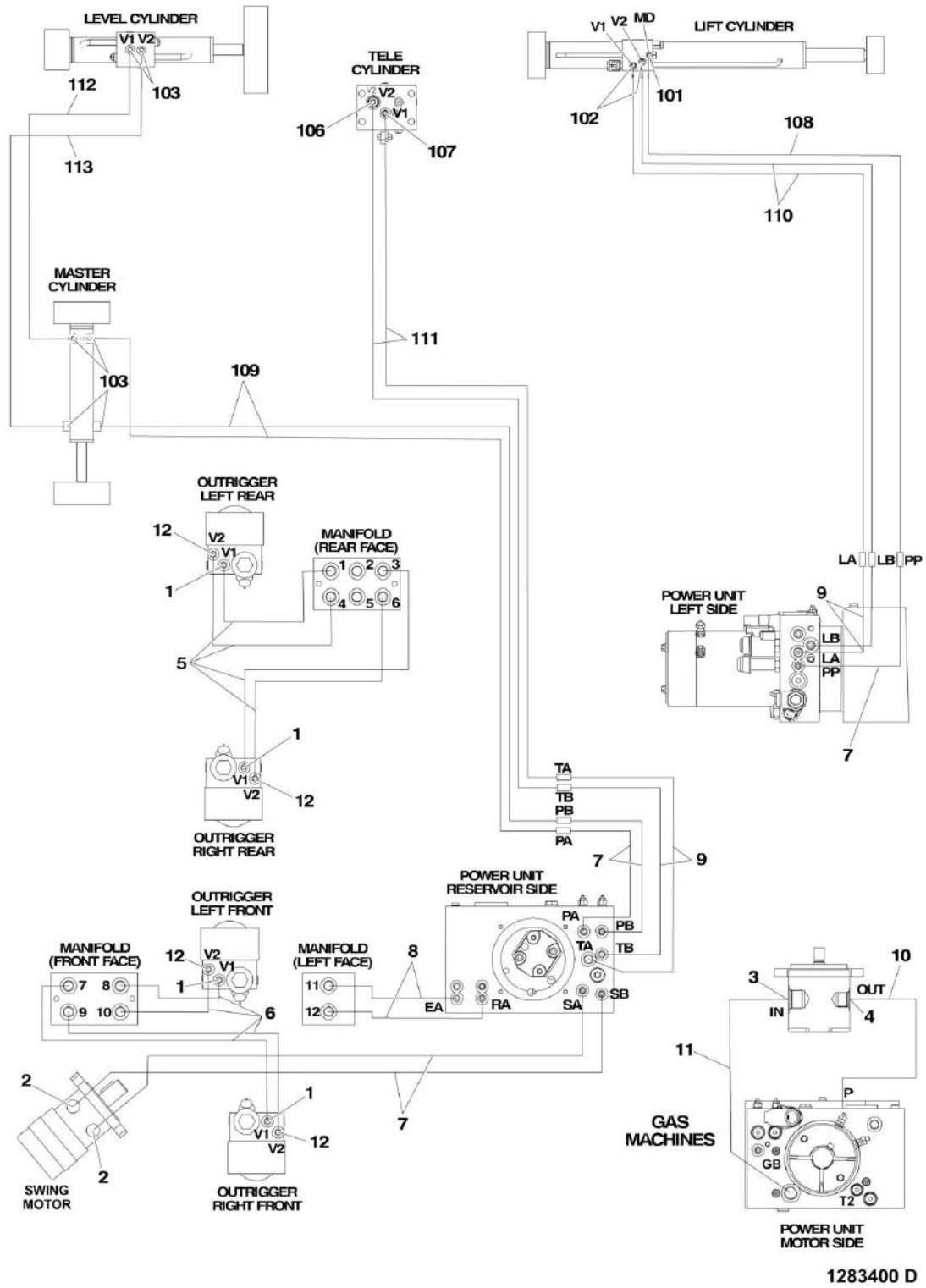
ITEM	PART NUMBER	QTY	DESCRIPTION	REV
		Ref	<b>TELESCOPE CYLINDER ASSEMBLY</b>	
	1684367	Ref	<b>Telescope Cylinder Assembly T350</b>	E
	1684402	Ref	<b>Telescope Cylinder Assembly T500J</b>	E
1		Ref	Head Options:	
1	7027342	1	Head T350	
1	7027701	1	Head T500J	
2		Ref	Rod Options:	
2	7027343	1	Rod T350	
2	7027702	1	Rod T500J	
3		Ref	Piston Options:	
3	7027344	1	Piston T350	
3	7027703	1	Piston T500J	
4		Ref	Barrel Options:	
4	7027345	1	Barrel T350	
4	7027704	1	Barrel T500J	
5	See Note	1	O-Ring (Note: Use Item 26)	
6	See Note	1	O-Ring (Note: Use Item 26)	
7	See Note	1	O-Ring (Note: Use Item 26)	
8	See Note	1	Seal, Rod (Note: Use Item 26)	
9	See Note	1	Ring, Back-up (Note: Use Item 26)	
10	See Note	1	Wiper (Note: Use Item 26)	
11	See Note	2	Ring, Wear (Note: Use Item 26)	
12	See Note	2	Ring, Wear (Note: Use Item 26)	
13	See Note	1	Seal, Piston (Note: Use Item 26)	
14		Ref	Locknut Options:	
14	7027340	1	Locknut T350	
14	7027705	1	Locknut T500J	
15		Ref	Pad, Wear Options:	
15	7027346	2	Pad, Wear T350	
15	7027706	2	Pad, Wear T500J	
16	7011377	2	Cartridge, Counterbalance	
16	7011358	2	Seal Kit - 7011377 Cartridge	
17	7011379	2	Cartridge, Counterbalance	
17	2900770	2	Seal Kit - 7011379 Cartridge	
18	4641285	1	Cartridge, Shuttle	
18	7011311	1	Seal Kit - 4641285 Cartridge	
19	2220883	5	Plug	
20	0641510	4	Bolt 5/16in-18NC x 1 1/4in	
21	3311505	4	Locknut 5/16in-18NC	
22	See Note	1	Spacer (Note: Not available for purchase)	
26		Ref	Seal Kit Options (Includes Items 5-13):	
26	7027347	1	Seal Kit T350	
26	7027707	1	Seal Kit T500J	



**SECTION 6 - HYDRAULIC**

# SECTION 6 - HYDRAULIC

FIGURE 6-1. HYDRAULIC DIAGRAM - BOOM AND CHASSIS (T350 ALL SPECS)



1283400 D

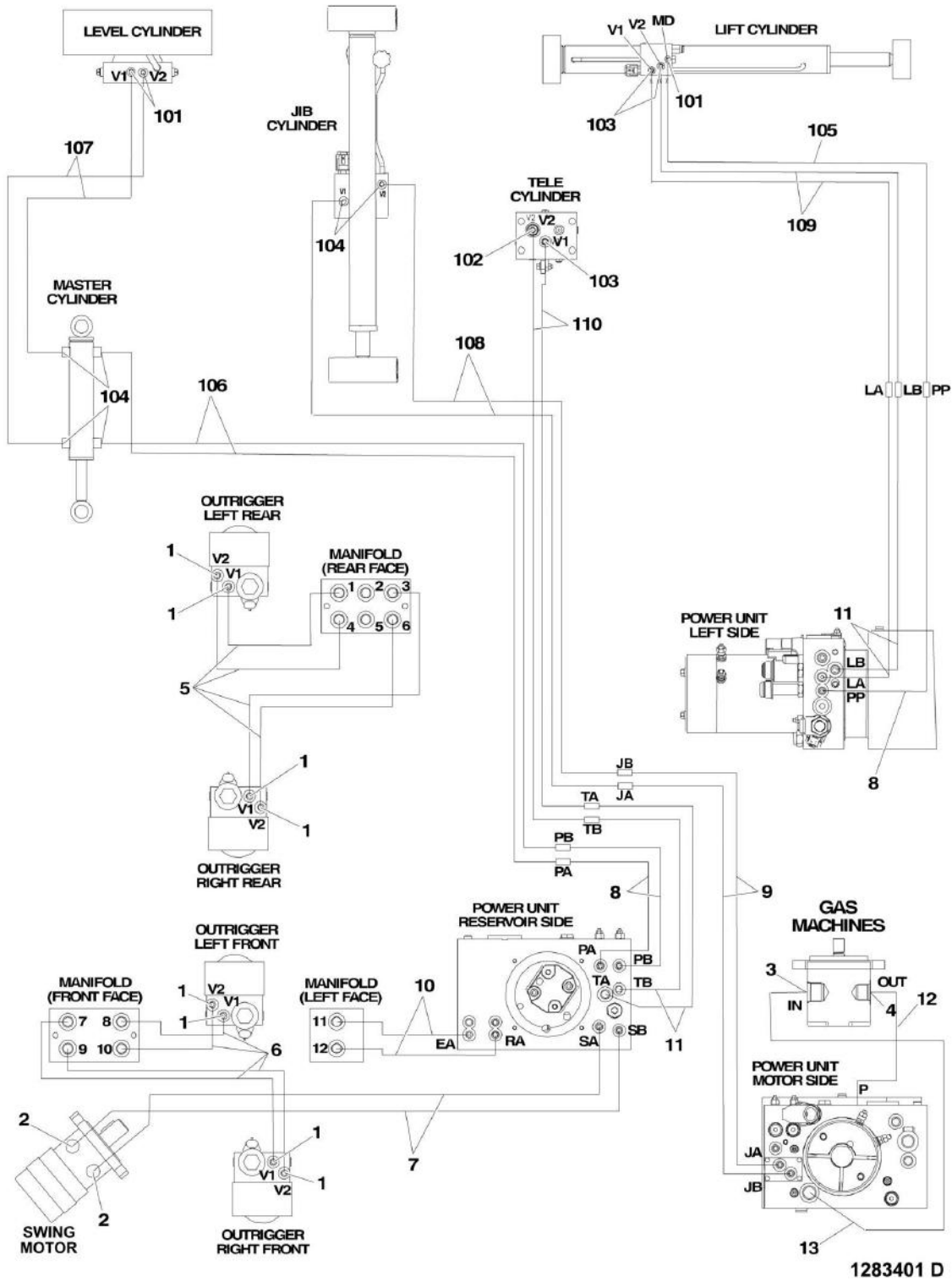
## SECTION 6 - HYDRAULIC

**FIGURE 6-1. HYDRAULIC DIAGRAM - BOOM AND CHASSIS (T350 ALL SPECS)**

ITEM	PART NUMBER	QTY	DESCRIPTION	REV
		Ref	<b>HYDRAULIC DIAGRAM - CHASSIS (T350 ALL SPECS)</b>	
	2792664	Ref	<b>Hydraulic Diagram - Chassis T350 Electric Powered Machines</b>	2
	2792665	Ref	<b>Hydraulic Diagram - Chassis T350 Gas Powered Machines</b>	4
1	2110404	4	Fitting, Straight	
2	2110410	2	Fitting, Straight	
3		Ref	Fitting, Options:	
3	Not Required	0	Fitting - T350 Electric Powered Machines	
3	2151612	1	Fitting, 45 - T350 Gas Powered Machines	
4		Ref	Fitting Options:	
4	Not Required	0	Fitting - T350 Electric Powered Machines	
4	2130610	1	Fitting, 90 - T350 Gas Powered Machines	
5	2753555	4	Hose	
6	2753545	4	Hose	
7	2753550	5	Hose	
8	2753851	2	Hose	
9	2753563	4	Hose	
10		Ref	Hose Options:	
10	Not Required	0	Hose T350 Electric Powered Machines	
10	2753626	1	Hose T350 Gas Powered Machines	
11		Ref	Hose, Suction Options:	
11	Not Required	0	Hose, Suction T350 Electric Powered Machines	
11		Ref	Hose, Suction T350 Gas Powered Machines Options:	
11	2754339	1	Hose, Suction (Use p/n 1001110688) <b>(Prior to SN 0030003210)</b>	
11	1001110688	AR	Hose, Suction <b>(SN 0030003210 through 0030012032)</b>	
12	2150404	4	Fitting, Elbow	
	2792640	Ref	<b>HYDRAULIC DIAGRAM - BOOM</b>	1
101	2110404	1	Fitting, Straight	
102	2110606	2	Fitting, Straight	
103	2130404	6	Fitting, Elbow	
106	2130604	1	Fitting, Elbow	
107	2130606	1	Fitting, Elbow	
108	2754209	1	Hose	
109	2754204	2	Hose	
110	2754213	2	Hose	
111	2754211	2	Hose	
112	2754205	1	Hose	
113	2754206	1	Hose	

# SECTION 6 - HYDRAULIC

## FIGURE 6-2. HYDRAULIC DIAGRAM - BOOM AND CHASSIS (T500J)





## SECTION 6 - HYDRAULIC

### FIGURE 6-2. HYDRAULIC DIAGRAM - BOOM AND CHASSIS (T500J)

ITEM	PART NUMBER	QTY	DESCRIPTION	REV
		Ref	<b>HYDRAULIC DIAGRAM - CHASSIS (T500J)</b>	
	2792668	Ref	<b>Hydraulic Diagram T500J ANSI and ANSI Export Specs Electric Powered Machines</b>	2
	2792672	Ref	<b>Hydraulic Diagram T500J Australian, CE and South Africa Specs Electric Powered Machines</b>	B
	2792669	Ref	<b>Hydraulic Diagram T500J ANSI and ANSI Export Specs Gas Powered Machines</b>	4
	2792673	Ref	<b>Hydraulic Diagram T500J Australian, CE and South Africa Specs Gas Powered Machines</b>	B
1	2110404	8	Fitting, Straight	
2	2110410	2	Fitting, Straight	
3		Ref	Fitting, Straight	
3	Not Required	0	Fitting, Straight T500J Electric Powered Machines	
3	2151612	1	Fitting, Straight T500J Gas Powered Machines	
4		Ref	Fitting, Straight	
4	Not Required	0	Fitting, Straight T500J Electric Powered Machines	
4	2130610	1	Fitting, Straight T500J Gas Powered Machines	
5	2753540	4	Hose	
6		Ref	Hose Options:	
6	2753541	4	ANSI and ANSI Export Specs	
6	2754469	4	Australian, CE and South Africa Specs	
7		Ref	Hose Options:	
7	2753622	2	ANSI and ANSI Export Specs	
7	2753550	2	Australian, CE and South Africa Specs	
8		Ref	Hose Options:	
8	2753784	3	ANSI and ANSI Export Specs	
8	2753785	3	Australian, CE and South Africa Specs	
9		Ref	Hose Options:	
9	2754263	2	ANSI and ANSI Export Specs	
9	2754470	2	Australian, CE and South Africa Specs	
10		Ref	Hose Options:	
10	2754265	2	ANSI and ANSI Export Specs	
10	2754471	2	Australian, CE and South Africa Specs	
11		Ref	Hose Options:	
11	2753727	4	ANSI and ANSI Export Specs	
11	2754472	4	Australian, CE and South Africa Specs	
12		Ref	Hose Options:	
12	Not Required	0	Hose T500J Electric Powered Machines	
12	2753626	1	Hose T500J Gas Powered Machines	
13		Ref	Hose, Suction Options:	
13	Not Required	0	Hose, Suction T500J Electric Powered Machines	
13		Ref	Hose, Suction T500J Gas Powered Machines Options:	
13	2754339	1	Hose, Suction (Use p/n 1001110688) <b>(Prior to SN 0030003210)</b>	
13	1001110688	1	Hose, Suction <b>(SN 0030003210 through 0030012032)</b>	
	2792641	Ref	<b>HYDRAULIC DIAGRAM - BOOM</b>	3
101	2110404	3	Fitting, Straight	
102	2110604	1	Fitting, Straight	
103	2110606	3	Fitting, Straight	
104	2130404	6	Fitting, Elbow	
105	2754210	1	Hose	

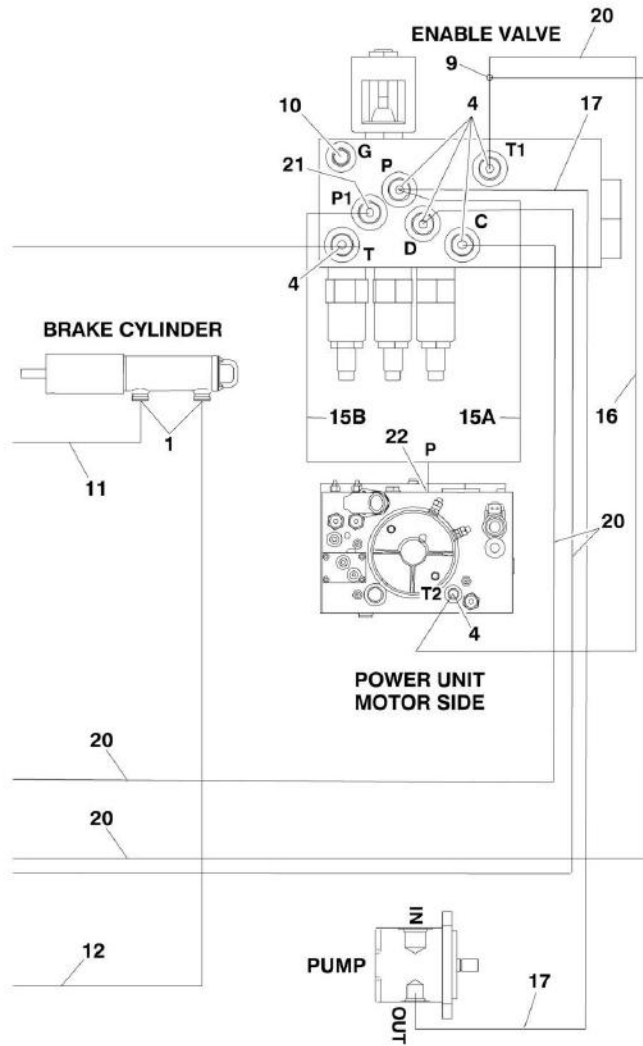
## SECTION 6 - HYDRAULIC

ITEM	PART NUMBER	QTY	DESCRIPTION	REV
106	2754207	2	Hose	
107	2754264	2	Hose	
108	2754208	2	Hose	
109	2754214	2	Hose	
110	2754212	2	Hose	





# SECTION 6 - HYDRAULIC



SHEET 2 OF 2

## SECTION 6 - HYDRAULIC

FIGURE 6-3. HYDRAULIC DIAGRAM - DRIVE AND SET

ITEM	PART NUMBER	QTY	DESCRIPTION	REV
		Ref	<b>HYDRAULIC DIAGRAM - CHASSIS</b>	
	2792674	Ref	<b>Hydraulic Diagram - Chassis T350 Electric Powered Machines</b>	2
	2792675	Ref	<b>Hydraulic Diagram - Chassis T350 Gas Powered Machines</b>	2
	2792676	Ref	<b>Hydraulic Diagram - Chassis T500J Electric Powered Machines (All Specs Except CE Specs)</b>	1
	2792743	Ref	<b>Hydraulic Diagram - Chassis T500J Electric Powered Machines (CE Specs Only)</b>	1
	2792677	Ref	<b>Hydraulic Diagram - Chassis T500J Gas Powered Machines (All Specs Except CE Specs)</b>	1
	2792744	Ref	<b>Hydraulic Diagram - Chassis T500J Gas Powered Machines (CE Specs Only)</b>	1
1	2110404	7	Fitting, Straight	
2	2110406	1	Fitting, Straight	
3	2110410	4	Fitting, Straight	
4	2110606	Ref	Fitting, Straight	
4	2110606	8	Electric Powered Machines	
4	2110606	9	Gas Powered Machines	
5	2110608	2	Fitting, Straight	
6	2130606	2	Fitting, Elbow	
7	2130608	1	Fitting, Elbow	
8	2170306	2	Fitting, Tee	
9	2170706	2	Fitting, Tee	
10	2221086	4	Fitting, Adapter	
11		Ref	Hose Options:	
11	2754676	2	Hose T350	
11	2754643	2	Hose T500J All Specs Except CE Specs	
11	2754676	2	Hose T500J CE Specs	
12	2753545	1	Hose	
13	2753622	4	Hose	
14	2754644	2	Hose	
15	2753625	1	Hose	
15A		Ref	Electric Powered Machines	
15B		Ref	Gas Powered Machines	
16	2753673	1	Hose	
17		Ref	Hose Options:	
17	Not Required	0	Electric Powered Machines	
17	2753730	1	Gas Powered Machines	
18	2754265	1	Hose	
19	2753731	1	Hose	
20	2754645	3	Hose	
21		Ref	Fitting, Plug Adapter Options:	
21	2220237	1	Electric Powered Machines	
21	Not Required	0	Gas Powered Machines	
22		Ref	Fitting, Elbow Options:	
22	2130606	1	Electric Powered Machines	
22	Not Required	0	Gas Powered Machines	2



## SECTION 6 - HYDRAULIC

FIGURE 6-4. HYDRAULIC DIAGRAM LIST

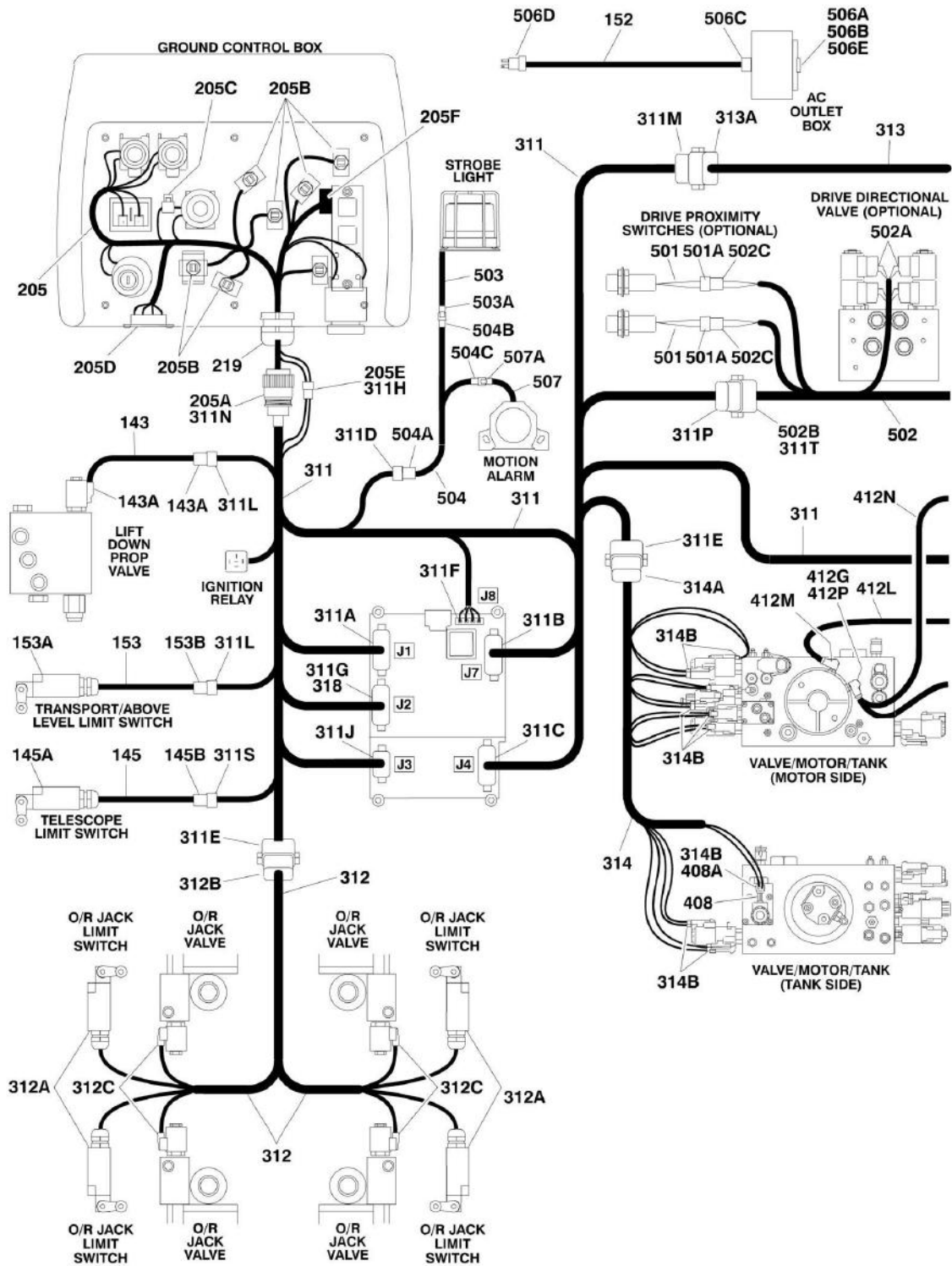
ITEM	PART NUMBER	QTY	DESCRIPTION	REV
		Ref	<b>Note: Diagrams not shown are available from JLG Service/Parts Department.</b>	
		Ref	<b>BOOM HYDRAULIC DIAGRAM</b>	
	2792640	Ref	<b>T350</b>	
	2792641	Ref	<b>T500J</b>	
		Ref	<b>CHASSIS HYDRAULIC DIAGRAM</b>	
	2792664	Ref	<b>T350 Electric Powered Machines</b>	
	2792665	Ref	<b>T350 Gas Powered Machines</b>	
	2792668	Ref	<b>T500J Electric Powered Machines (ANSI AND ANSI Export Spec)</b>	
	2792672	Ref	<b>T500J Electric Powered Machines (Australian AND CE Specs)</b>	
	2792669	Ref	<b>T500J Gas Powered Machines (ANSI AND ANSI Export Specs)</b>	
	2792673	Ref	<b>T500J Gas Powered Machines (Australian AND CE Specs)</b>	
		Ref	<b>DRIVE AND SET HYDRAULIC DIAGRAM</b>	
	2792674	Ref	<b>T350 Electric Powered Machines</b>	
	2792675	Ref	<b>T350 Gas Powered Machines</b>	
	2792676	Ref	<b>T500J Electric Powered Machines (All Specs Except CE Specs)</b>	
	2792743	Ref	<b>T500J Electric Powered Machines (CE Specs Only)</b>	
	2792677	Ref	<b>T500J Gas Powered Machines (All Specs Except CE Specs)</b>	
	2792744	Ref	<b>T500J Gas Powered Machines (CE Specs Only)</b>	
	2792642	Ref	<b>HYDRAULIC SCHEMATIC</b>	



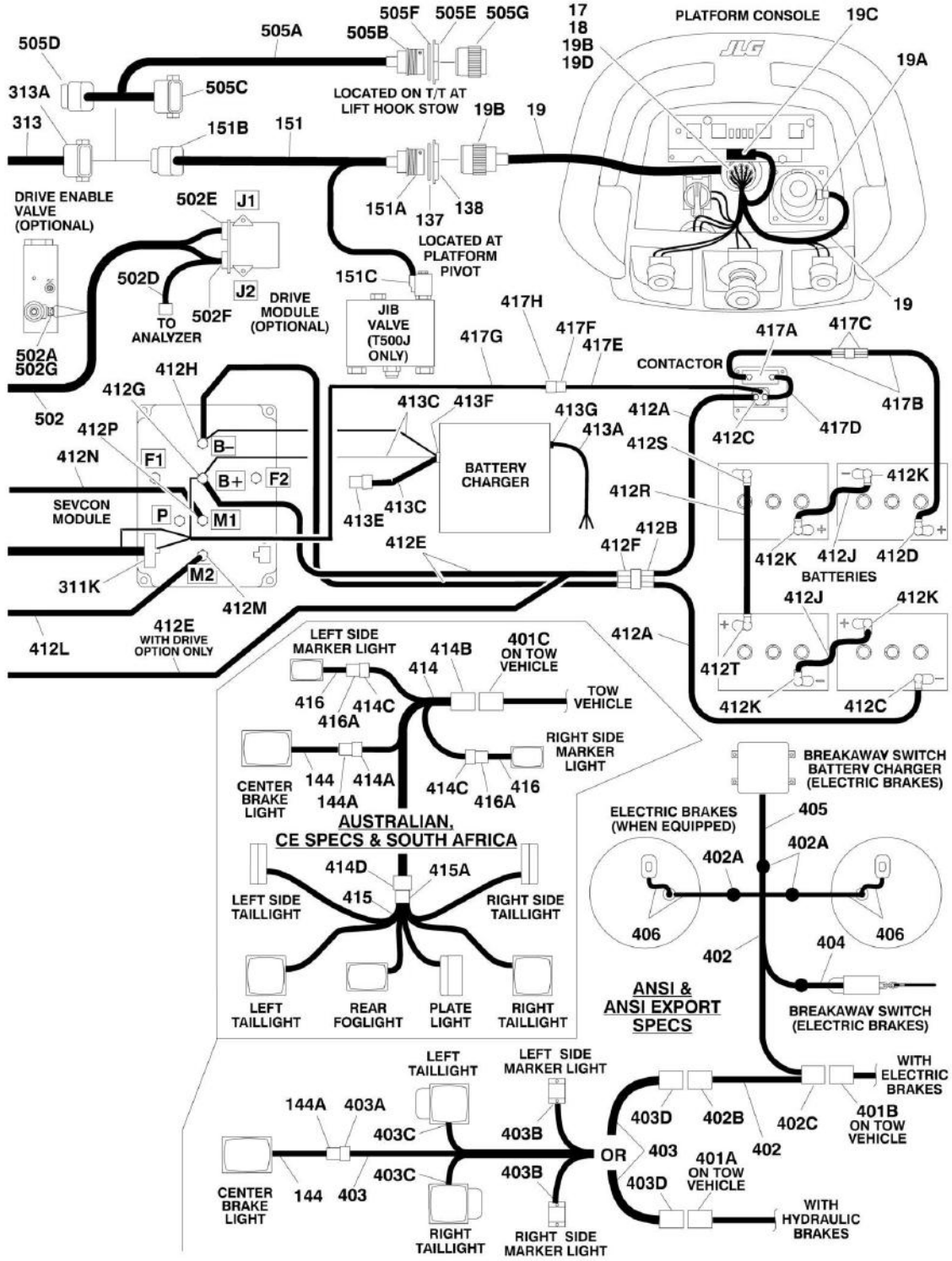
**SECTION 7 - ELECTRICAL**

# SECTION 7 - ELECTRICAL

FIGURE 7-1. ELECTRICAL COMPONENTS INSTALLATION - ELECTRIC POWERED MACHINES (Prior to SN 00300001804)



# SECTION 7 - ELECTRICAL



## SECTION 7 - ELECTRICAL

**FIGURE 7-1. ELECTRICAL COMPONENTS INSTALLATION - ELECTRIC POWERED MACHINES (Prior to SN 00300001804)**

ITEM	PART NUMBER	QTY	DESCRIPTION	REV
		Ref	<b>CONSOLE BOX ELECTRICAL COMPONENTS</b>	
17	4460497	1	Nut, Terminal	
18	4460496	1	Lockwasher, Terminal	
19		Ref	Harness, Console Box (Internal and Pig-Tail) Options:	
19	4923116	1	Without Drive Option	E
19	4923127	1	With Drive Option	E
19	4923039	5 ft/1.5m	Cable, Electrical - 18/9 & 18/1	
19A	4461024	1	Connector - 10 Position	
19A	4461025	Ref	Pin, Male Options:	
19A	4461025	6	Without Drive Option	
19A	4461025	8	With Drive Option	
19B	4461015	2	Connector - 14 Position	
19B	4460465	18	Socket, Female	
19B	4460944	6	Socket, Female (Gold)	
19B	2820026	AR	Loom	
19B	2820031	AR	Shrink, Heat	
19C	4461057	1	Connector - 16 Position	
19C	4461058	Ref	Socket, Female Options:	
19C	4461058	12	Without Drive Option	
19C	4461058	13	With Drive Option	
19D	4461016	1	Connector - 14 Position	
19D	4460464	6	Pin, Male	
19D	4460943	2	Pin, Gold Male	
		Ref	<b>BOOM HARNESS AND COMPONENTS</b>	
137	4460496	1	Lockwasher, Terminal	
138	4460497	1	Nut, Terminal	
143		Ref	Harness, Lift Down Prop Valve Options:	
143	4923100	1	Harness, Lift Down Prop Valve T350	C
143	4923101	1	Harness, Lift Down Prop Valve T500J	C
143A	4460891	2	Plug, Male - 2 Position	
143A	4460465	4	Socket, Female	
144		Ref	Harness, Center Brake Light Options:	
144	4923185	1	Harness, Center Brake Light T350	B
144	4923184	1	Harness, Center Brake Light T500J	B
144A	4460884	1	Plug, Male - 4 Position	
144A	4460465	4	Socket, Female	
145		Ref	Harness, Telescope Limit Switch Options:	
145	4923192	1	Harness, Telescope Limit Switch T350	A
145	4923193	1	Harness, Telescope Limit Switch T500J	A
145A	4360577	1	Switch, Limit	
145B	4460897	1	Receptacle, Female - 2 Position	
145B	4460464	2	Pin, Male	
151		Ref	Harness, Boom Cable Options:	
151	4923040	1	Harness, Boom Cable T350 (Single Cable)	D
151	4923102	1	Harness, Boom Cable T500J (Two Cables Tie-Strapped Together)	F
151A	4461016	1	Connector - 14 Position	
151A	4460464	9	Pin, Male	
151A	4460941	3	Pin, Gold Male	

## SECTION 7 - ELECTRICAL

ITEM	PART NUMBER	QTY	DESCRIPTION	REV
151A	3730119	1	Resistor	
151B	4460933	1	Connector - 12 Position	
151B	4460465	9	Socket, Female	
151B	4460942	3	Socket, Gold Female	
151C	4460891	1	Connector - 2 Position (T500J Only)	
151C	4460465	2	Socket, Female	
152		Ref	Harness, AC Cable Options:	
152	4923104	1	Harness, AC Cable T350	B
152	4923111	1	Harness, AC Cable T500J	B
153		Ref	Harness, Transport Limit Switch Options:	
153	4923112	1	Harness, Transport Limit Switch T350	E
153	4923217	1	Harness, Transport Limit Switch T500J	B
153A	4360577	1	Switch, Limit	
153B	4460891	1	Connector - 2 Position	
153B	4460465	2	Socket, Female	
		Ref	<b>GROUND CONTROL BOX ASSEMBLY COMPONENTS</b>	
205	4923118	1	Harness, Ground Control Box	C
205A	4461019	1	Connector - 31 Position	
205A	4460464	30	Pin, Male	
205B	4460418	6	Connector, Terminal	
205B	4460419	18	Terminal, Connector	
205C	2400066	1	Fuseholder with Cover	
205C	2400065	1	Fuse - 30 Amp	
205D	4460761	1	Receptacle, Female - 4 Position	
205D	4460227	4	Pin, Terminal	
205E	4461017	1	Connector -2 Position	
205E	4460508	2	Terminal	
205F	4461041	1	Connector - 8 Position	
205F	4461023	7	Socket, Female	
219	4460426	1	Connector, Strain Relief	
	0273793	Ref	<b>CONTROLLER HARNESES COMPONENTS</b>	H
311	4922975	1	Harness, Frame (Use p/n 4923427)	I
311	3990010	2	Diode 6 Amp	
311A	4460874	1	Connector - 35 Position (Natural)	
311A	4460871	AR	Socket, Female	
311B	4460873	1	Connector - 35 Position (Black)	
311B	4460871	AR	Socket, Female	
311C	4460876	1	Connector - 35 Position (Blue)	
311C	4460871	AR	Socket, Female	
311D	4460932	1	Connector - 4 Position	
311D	4460464	4	Pin, Male	
311E	4460970	2	Connector - 12 Position	
311E	4460464	22	Pin, Male	
311F	4460878	1	Plug, Male - 4 Position	
311F	4460887	AR	Clip, Terminal	
311F	4461271	2	Molex, Terminal (4923427 Harness)	
311F	3990112	1	Varistor	
311G	4460875	1	Connector - 35 Position (Gray)	
311G	4460871	21	Socket, Female	
311H	4461018	1	Connector - 2 Position	
311H	4460509	2	Socket, Female	

## SECTION 7 - ELECTRICAL

ITEM	PART NUMBER	QTY	DESCRIPTION	REV
311J	4460872	1	Connector - 14 Position (Black)	
311J	4460871	AR	Socket, Female	
311K	4460870		Connector - 12 Position	
311K	4461023	3	Socket, Female	
311L	4460897	2	Connector - 2 Position	
311L	4460464	4	Pin, Male	
311M	4460933	1	Connector - 12 Position (Gray) (4922975 Harness)	
311M	4460465	8	Socket, Female (4922975 Harness)	
311M	4460942	3	Socket, Gold Female (4922975 Harness)	
311M	4460970	1	Connector - 12 Position (4923427 Harness)	
311M	4460464	8	Pin, Male (4923427 Harness)	
311M	4460943	3	Pin, Gold Male (4923427 Harness)	
311N	4461020	1	Connector - 31 Position	
311N	4460465	AR	Socket, Female	
311P	4460899	1	Connector - 6 Position	
311P	4460464	2	Pin, Male	
311P	4460841	3	Pin, Gold Male	
311S	4460891	1	Connector - 2 Position	
311S	4460465	2	Socket, Female	
311T	4460894	1	Connector - 6 Position (Used when not Equipped with Drive Option)	
311T	4460466	6	Seal, Plug	
312	4923041	1	Harness, Jack and Valve	C
312A	4360577	4	Switch, Limit	
312B	4460933	1	Connector - 12 Position (Gray)	
312B	4460465	10	Socket, Female	
312B	4460942	2	Socket, Gold Female	
312C	4460891	4	Plug, Male - 2 Position	
312C	4460465	8	Socket, Female	
313	4923103	1	Harness, Frame to Boom	C
313A	4460970	2	Connector - 12 Position	
313A	4460464	18	Pin, Male	
313A	4460943	6	Pin, Gold Male	
314	4923109	1	Harness, Main Valve	C
314A	4460933	1	Connector - 12 Position (Gray)	
314A	4460465	9	Socket, Female	
314B	4460891	11	Plug, Male - 2 Position	
314B	4460465	22	Socket, Female	
315	0100083	AR	Grease, Heat Transfer (Not Shown)	
318	4460905	5	Seal, Plug	
		Ref	<b>STANDARD HARNESS COMPONENTS</b>	
401		Ref	Receptacle, Tow Vehicle Options:	
401A	See Note	1	Receptacle, Flat 4 Way (Machines with Hydraulic Brakes) (ANSI and ANSI Export Specs) (Note: Not Available - Purchase Locally)	
401B	See Note	1	Receptacle, 7 Way (Machines with Electric Brakes) (ANSI and ANSI Export Specs) (Note: Not available for purchase)	
401C	See Note	1	Receptacle (Machines with Hydraulic Brakes) (Australian and CE Specs) (Note: Not available for purchase)	
402		Ref	Harness, Trailer To Tow Vehicle Options (Machines with Electric	
402	4923202	1	Harness, Trailer To Tow Vehicle T350	D
402	4923203	1	Harness, Trailer To Tow Vehicle T500J	D
402A	4460035	9	Connector, Butt Splice	

## SECTION 7 - ELECTRICAL

ITEM	PART NUMBER	QTY	DESCRIPTION	REV
402B	72203	1	Plug, Male - Flat 4 Way	
402C	See Note	1	Plug, Male - 7 Way (Note: Not available for purchase)	
403		Ref	Harness, Lights Options (ANSI and ANSI Export Specs Only):	
		Ref	<b>Note: Used on Machines with Hydraulic Brakes to Connect to Tow Vehicle. Used on Machines with Electric Brakes to Supply Power from 7 Way Plug to Lights</b>	
403	4923148	1	Harness, Lights T350	E
403	4923149	1	Harness, Lights T500J	E
403A	4460932	1	Receptacle, Female - 4 Position	
403A	4460464	4	Pin, Male	
403B	4460248	2	Connector, Butt Splice	
403B	4460313	2	Ring, Terminal	
403C	4460256	2	Ring, Terminal	
403D	See Note	1	Receptacle, Female - Flat 4 Way (Note: Not available for purchase)	
404	See Note	1	Harness, Breakaway Switch (Machines with Electric Brakes) (ANSI and ANSI Export Specs Only) (Note: Not available for purchase)	
405	See Note	1	Harness, Breakaway Battery Charger (Machines with Electric Brakes) (ANSI and ANSI Export Specs Only) (Note: Not available for purchase)	
406	See Note	1	Harness, Brake Magnet (Machines with Electric Brakes) (ANSI and ANSI Export Specs Only) (Note: Not available for purchase)	
412		Ref	Battery Cable Kit Options:	
412	4923020	1	Without Drive Option	B
412	4923428	1	With Drive Option	A
412A	See Note	1	Battery Cable - To Right Side and Left Side Batteries (Note: Not available for purchase)	
412B	4460025	1	Connector, Anderson	
412C	70000235	2	Boot (Red)	
412E	See Note	1	Battery Cable - Batteries to Sevcon Controller (Note: Not available for purchase)	
412F	4460025	1	Connector, Anderson	
412G	70000235	Ref	Boot (Red) Options:	
412G	70000235	1	Without Drive Option	
412G	70000235	2	With Drive Option	
412H	70000236	1	Boot (Black)	
412J	See Note	2	Harness, Jumper (Note: Not available for purchase)	
412K	70000235	4	Boot (Red)	
412L	See Note	1	Cable, Electrical (Black) (Note: Not available for purchase)	
412M	70000236	2	Boot (Black)	
412N	See Note	1	Cable, Electrical (Red) (Note: Not available for purchase)	
412P	70000235	2	Boot (Red)	
412R	See Note	1	Cable, Battery (Note: Not available for purchase)	
412S	70000235	1	Boot (Red)	
412T	70000236	1	Boot (Black)	
413		Ref	Battery Charger Components	
413A	7011638	1	Cord, AC	
413C	7018567	1	DC Harness	
413E	4460424	1	Connector, Male - 2 Position	
413E	4460267	2	Pin, Male	
413F	7011528	1	Connector, Strain Relief	
413G	7018556	1	Connector, Strain Relief	
414		Ref	Harness, Trailer to Tow Vehicle Options (Australian, CE and South Africa Specs Only):	

## SECTION 7 - ELECTRICAL

ITEM	PART NUMBER	QTY	DESCRIPTION	REV
414	4923268	1	Harness, Trailer to Tow Vehicle T350 (CE Specs)	A
414	4923317	1	Harness, Trailer to Tow Vehicle T350 (Australian and South Africa Specs)	A
414	4923269	1	Harness, Trailer to Tow Vehicle T500J (CE Specs)	A
414	4923318	1	Harness, Trailer to Tow Vehicle T500J (Australian and South Africa Specs)	A
414A	4460932	1	Receptacle, Female - 4 Position	
414A	4460464	4	Pin, Male	
414B		Ref	Receptacle to Tow Vehicle - 7 Position Options:	
414B	4461098	1	Receptacle to Tow Vehicle - 7 Position T350 (CE Specs)	
414B	Not Required	0	Receptacle to Tow Vehicle - 7 Position T350 (Australian and South Africa Specs)	
414B	4461098	1	Receptacle to Tow Vehicle - 7 Position T500J (CE Specs)	
414B	Not Required	0	Receptacle to Tow Vehicle - 7 Position T500J (Australian and South Africa Specs)	
414C	4460897	2	Receptacle, Female - 2 Position	
414C	4460464	4	Pin, Male	
414D		Ref	Hardware Options:	
414D		Ref	Hardware T350 (CE Specs):	
414D	4460931	1	Receptacle, Female - 8 Position	
414D	4460464	7	Pin, Male	
414D		Ref	Hardware T350 (Australian and South Africa Specs):	
414D	4460970	1	Receptacle, Female - 8 Position	
414D	4460464	12	Pin, Male	
414D		Ref	Hardware T500J (CE Specs):	
414D	4460931	1	Receptacle, Female - 8 Position	
414D	4460464	7	Pin, Male	
414D		Ref	Hardware T500J (Australian and South Africa Specs):	
414D	4460970	1	Receptacle, Female - 12 Position	
414D	4460464	9	Pin, Male	
415	See Note	1	Harness, Rear Lights (Australian and CE Specs Only) (Note: Not available for purchase)	
415A	4460930	1	Plug, Male - 8 Position	
415A	4460465	7	Socket, Female	
416	See Note	1	Harness, Side Marker Lights (Australian and CE Specs Only) (Note: Not available for purchase)	
416A	4460891	4	Plug, Male - 2 Position	
416A	4460465	8	Socket, Female	
417		Ref	Contactors Components Options:	
417	0275442	1	Without Drive Option	A
417	0275536	1	With Drive Option	A
417A	2400087	1	Fuse - 300 Amp	
417A	2400088	1	Fuseholder	
417B	4923545	1	Cable Kit, Electrical (Fuse to Batteries) (Includes 2 Cables)	
417C	See Note	2	Connector, Anderson (Note: Not available for purchase)	
417D	4923570	1	Cable, Electrical (Fuse to Contactor)	
417E	See Note	1	Harness, Relay (Part of Contactor) (Note: Not available for purchase)	
417F	4460891	1	Plug, Male - 2 Position	
417F	4460465	2	Socket, Female	
417G	4923544	1	Harness, Relay	C
417H	4460897	1	Receptacle, Female - 2 Position	
417H	4460464	2	Pin, Male	



## SECTION 7 - ELECTRICAL

ITEM	PART NUMBER	QTY	DESCRIPTION	REV
		Ref	<b>OPTIONAL HARNESS COMPONENTS</b>	
501	4000008	2	Proximity Sensor Harness (Includes Sensor)	B
501A	4461076	2	Receptacle, Female - 4 Position (1 Per Harness)	
501A	4460917	8	Pin, Gold Male (2 Per Harness)	
502	4923340	1	Drive Option Harness	D
502A	4460891	5	Plug, Male - 2 Position	
502A	4460465	10	Socket, Female	
502B	4460894	1	Connector - 6 Position	
502B	4460465	2	Socket, Female	
502B	4460944	3	Socket, Gold Female	
502C	4461077	2	Plug, Male - 4 Position	
502C	4460918	8	Socket, Gold Female	
502D	4460761	1	Receptacle, Female - 4 Position	
502D	4460227	3	Pin, Male	
502E	4460909	1	Plug, Male - 12 Position (Black)	
502E	4460928	11	Socket, Female	
502F	4460908	1	Plug, Male - 12 Position (Gray)	
502F	4460918	6	Socket, Female	
502G	3990013	1	Diode 1 Amp	
503	2920161	1	Strobe Light Harness (Includes Strobe Light)	A
503A	4460891	1	Plug, Male - 2 Position	
503A	4460465	2	Socket, Female	
504	4923128	1	Strobe and Alarm Harness	B
504A	4460884	1	Plug, Male - 4 Position	
504A	4460465	4	Socket, Female	
504B	4460897	1	Receptacle, Female - 2 Position	
504B	4460464	4	Pin, Male	
504C	4460539	1	Plug, Male - 3 Position	
504C	4460465	3	Socket, Female	
505		Ref	Lifting Hook Components	
505A	4923124	1	Hook Harness	E
505B	4461016	1	Connector - 14 Position	
505B	4460464	9	Pin, Male	
505B	4460941	3	Pin, Gold Male	
505C	4460970	1	Connector - 12 Position	
505C	4460464	9	Pin, Male	
505C	4460943	3	Pin, Gold Male	
505D	4460933	1	Connector - 12 Position	
505D	4460465	9	Socket, Female	
505D	4460942	3	Socket, Gold Female	
505E	4460470	1	Nut, Terminal	
505F	4460471	1	Lockwasher, Terminal	
505G	4461065	1	Cap, Dust	
506		Ref	AC Outlet Components Options:	
506	0273663	Ref	With Factory Installed GFI Outlet	F
506	0273664	Ref	With Dealer Installed Local Supplied Outlet	E
506		Ref	Decal Options:	
506	3251243	1	120V-60Hz	
506	3252507	1	220V	
506A	0860038	1	Box, AC	
506B		Ref	Cover Options:	

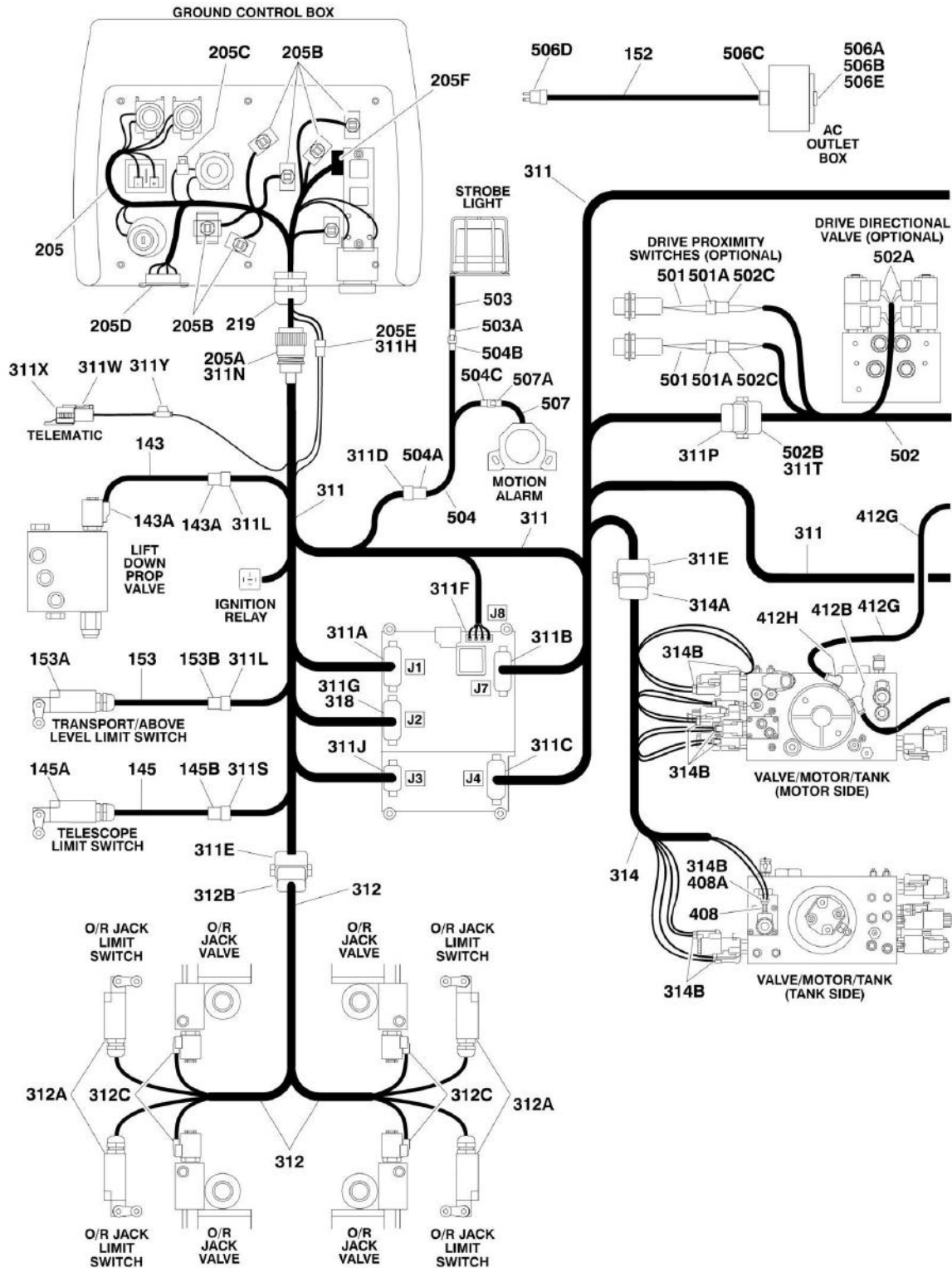
## SECTION 7 - ELECTRICAL

ITEM	PART NUMBER	QTY	DESCRIPTION	REV
506B	4060700	1	Cover with Factory Installed GFI Outlet (Side Hinged)	
506B	1001110873	1	Cover with Factory Installed GFI Outlet (Top Hinged)	
506B	See Note	1	Cover (Note: With Dealer Installed Local Supplied Outlet)	
506C	4460071	1	Connector, Strain Relief	
506D		Ref	Plug, Male Options:	
506D	4460138	1	Plug with Factory Installed GFI Outlet	
506D	See Note	1	Plug (Note: With Dealer Installed Local Supplied Outlet)	
506E		Ref	Receptacle Options:	
506E	4460346	1	Receptacle with Factory Installed GFI Outlet	
506E	See Note	1	Receptacle (Note: With Dealer Installed Local Supplied Outlet)	
507	See Note	1	Alarm Harness (Note: Not Available for Purchase)	
507A	4460536	1	Receptacle, Female - 3 Position	
507A	4460464	3	Pin, Male	

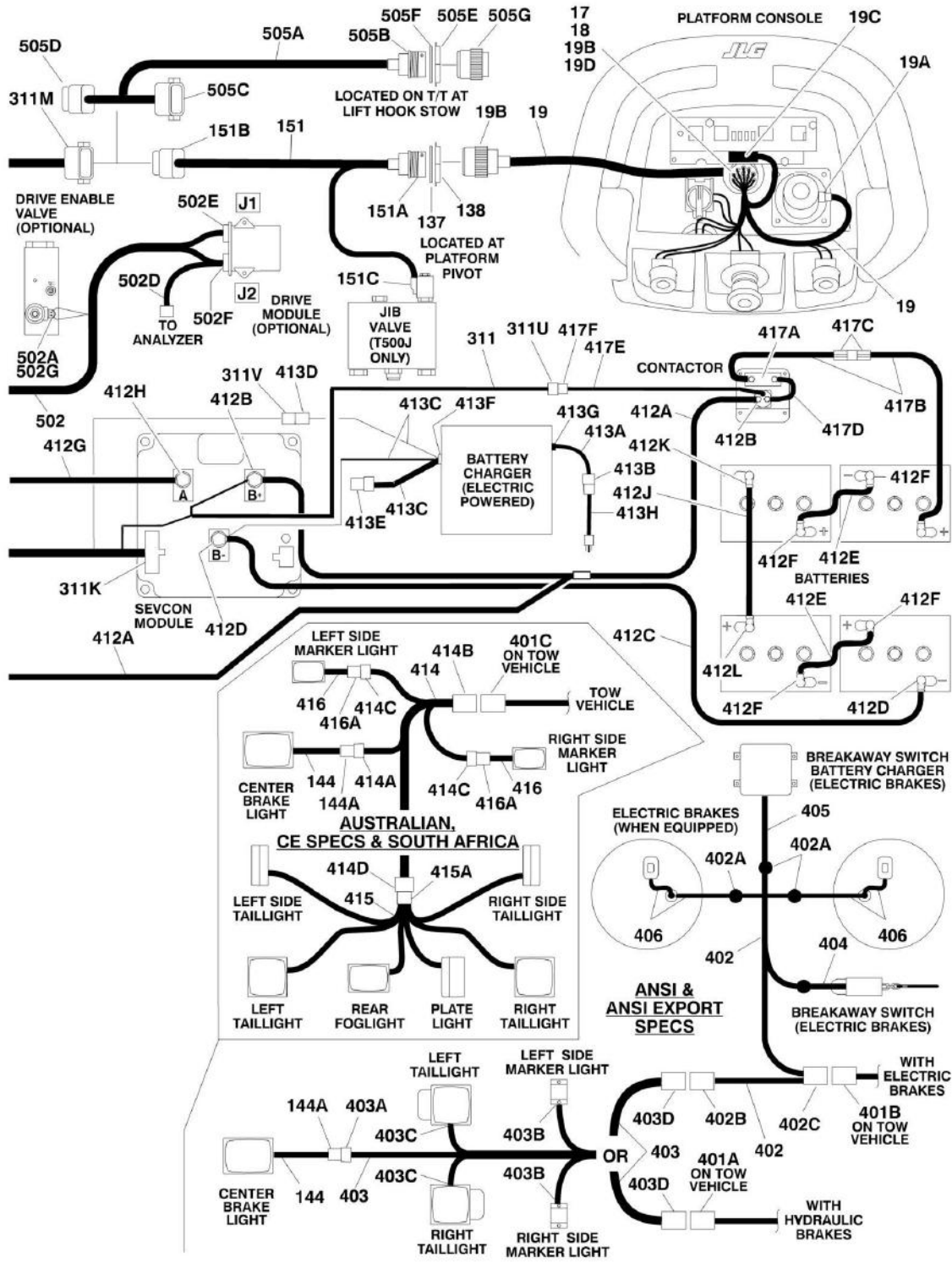


# SECTION 7 - ELECTRICAL

FIGURE 7-2. ELECTRICAL COMPONENTS INSTALLATION - ELECTRIC POWERED MACHINES (SN 00300001804 through 0030012032)



# SECTION 7 - ELECTRICAL



## SECTION 7 - ELECTRICAL

**FIGURE 7-2. ELECTRICAL COMPONENTS INSTALLATION - ELECTRIC POWERED MACHINES (SN 00300001804 through 0030012032)**

ITEM	PART NUMBER	QTY	DESCRIPTION	REV
		Ref	<b>CONSOLE BOX ELECTRICAL COMPONENTS</b>	
17	4460497	1	Nut, Terminal	
18	4460496	1	Lockwasher, Terminal	
19		Ref	Harness, Console Box (Internal and Pig-Tail) Options:	
19	4923116	1	Without Drive Option	E
19	4923127	1	With Drive Option	E
19	4923039	5 ft/1.5m	Cable, Electrical - 18/9 & 18/1	
19A	4461024	1	Connector - 10 Position	
19A	4461025	Ref	Pin, Male Options:	
19A	4461025	6	Without Drive Option	
19A	4461025	8	With Drive Option	
19B	4461015	2	Connector - 14 Position	
19B	4460465	18	Socket, Female	
19B	4460944	6	Socket, Female (Gold)	
19B	2820026	AR	Loom	
19B	2820031	AR	Shrink, Heat	
19C	4461057	1	Connector - 16 Position	
19C	4461058	Ref	Socket, Female Options:	
19C	4461058	12	Without Drive Option	
19C	4461058	13	With Drive Option	
19D	4461016	1	Connector - 14 Position	
19D	4460464	6	Pin, Male	
19D	4460943	2	Pin, Gold Male	
		Ref	<b>BOOM HARNESS AND COMPONENTS</b>	
137	4460496	1	Lockwasher, Terminal	
138	4460497	1	Nut, Terminal	
143		Ref	Harness, Lift Down Prop Valve Options:	
143	4923100	1	Harness, Lift Down Prop Valve T350	C
143	4923101	1	Harness, Lift Down Prop Valve T500J	C
143A	4460891	2	Plug, Male - 2 Position	
143A	4460465	4	Socket, Female	
144		Ref	Harness, Center Brake Light Options:	
144	4923185	1	Harness, Center Brake Light T350	B
144	4923184	1	Harness, Center Brake Light T500J	B
144A	4460884	1	Plug, Male - 4 Position	
144A	4460465	4	Socket, Female	
145		Ref	Harness, Telescope Limit Switch Options:	
145	4923192	1	Harness, Telescope Limit Switch T350	A
145	4923193	1	Harness, Telescope Limit Switch T500J	A
145A	4360577	1	Switch, Limit	
145B	4460897	1	Receptacle, Female - 2 Position	
145B	4460464	2	Pin, Male	
151		Ref	Harness, Boom Cable Options:	
151	4923040	1	Harness, Boom Cable T350 (Single Cable)	D
151	4923102	1	Harness, Boom Cable T500J (Two Cables Tie-Strapped Together)	F
151A	4461016	1	Connector - 14 Position	
151A	4460464	9	Pin, Male	
151A	4460941	3	Pin, Gold Male	

## SECTION 7 - ELECTRICAL

ITEM	PART NUMBER	QTY	DESCRIPTION	REV
151A	3730119	1	Resistor	
151B	4460933	1	Connector - 12 Position	
151B	4460465	9	Socket, Female	
151B	4460942	3	Socket, Gold Female	
151C	4460891	1	Connector - 2 Position (T500J Only)	
151C	4460465	2	Socket, Female	
152		Ref	Harness, AC Cable Options:	
152	4923104	1	Harness, AC Cable T350	B
152	4923111	1	Harness, AC Cable T500J	B
153		Ref	Harness, Transport Limit Switch Options:	
153	4923112	1	Harness, Transport Limit Switch T350	E
153	4923217	1	Harness, Transport Limit Switch T500J	B
153A	4360577	1	Switch, Limit	
153B	4460891	1	Connector - 2 Position	
	4460465	2	Socket, Female	
		Ref	<b>GROUND CONTROL BOX ASSEMBLY COMPONENTS</b>	
205	4923118	1	Harness, Ground Control Box	C
205A	4461019	1	Connector - 31 Position	
205A	4460464	30	Pin, Male	
205B	4460418	6	Connector, Terminal	
205B	4460419	18	Terminal, Connector	
205C	2400066	1	Fuseholder with Cover	
205C	2400065	1	Fuse - 30 Amp	
205D	4460761	1	Receptacle, Female - 4 Position	
205D	4460227	4	Pin, Terminal	
205E	4461017	1	Connector -2 Position	
205E	4460508	2	Terminal	
205F	4461041	1	Connector - 8 Position	
205F	4461023	7	Socket, Female	
219	4460426	1	Connector, Strain Relief	
	0275776	Ref	<b>CONTROLLER HARNESES COMPONENTS</b>	F
311	4923427	1	Harness, Frame	E
311	3990010	2	Diode 6 Amp	
311A	4460874	1	Connector - 35 Position (Natural)	
311A	4460871	AR	Socket, Female	
311B	4460873	1	Connector - 35 Position (Black)	
311B	4460871	AR	Socket, Female	
311C	4460876	1	Connector - 35 Position (Blue)	
311C	4460871	AR	Socket, Female	
311D	4460932	1	Connector - 4 Position	
311D	4460464	4	Pin, Male	
311E	4460970	2	Connector - 12 Position	
311E	4460464	22	Pin, Male	
311F	4460878	1	Plug, Male - 4 Position	
311F	4460887	AR	Clip, Terminal	
311F	4461271	2	Molex, Terminal	
311F	3990112	1	Varistor	
311G	4460875	1	Connector - 35 Position (Gray)	
311G	4460871	21	Socket, Female	
311H	4461018	1	Connector - 2 Position	
311H	4460509	2	Socket, Female	

## SECTION 7 - ELECTRICAL

ITEM	PART NUMBER	QTY	DESCRIPTION	REV
311J	4460872	1	Connector - 14 Position (Black)	
311J	4460871	AR	Socket, Female	
311K	4461051	1	Connector - 12 Position	
311K	4461023	3	Socket, Female	
311L	4460897	2	Connector - 2 Position	
311L	4460464	4	Pin, Male	
311M	4460970	1	Connector - 12 Position	
311M	4460464	8	Pin, Male	
311M	4460943	3	Pin, Gold Male	
311N	4461020	1	Connector - 31 Position	
311N	4460465	AR	Socket, Female	
311P	4460899	1	Connector - 6 Position	
311P	4460464	2	Pin, Male	
311P	4460841	3	Pin, Gold Male	
311S	4460891	1	Connector - 2 Position	
311S	4460465	2	Socket, Female	
311T	4460894	1	Connector - 6 Position (Used when not Equipped with Drive Option)	
311T	4460466	6	Seal, Plug	
311U	4460897	1	Connector - 2 Position	
311U	4460464	2	Pin, Male	
311V	4461261	1	Connector, Male Deutsch	
311V	4460509	1	Socket, Female	
311W	4460884	1	Plug, Male - 4 Position (SN 0030007033 through 0030012032)	
311W	4460465	4	Socket, Female (SN 0030007033 through 0030012032)	
311X	1001192401	1	Connector, Dust Cap (SN 0030007033 through 0030012032)	
311Y	8229242	1	Fuse 5 Amp (SN 0030007033 through 0030012032)	
311Y	2400060	1	Fuseholder (SN 0030007033 through 0030012032)	
312	4923041	1	Harness, Jack and Valve	C
312A	4360577	4	Switch, Limit	
312B	4460933	1	Connector - 12 Position (Gray)	
312B	4460465	10	Socket, Female	
312B	4460942	2	Socket, Gold Female	
312C	4460891	4	Plug, Male - 2 Position	
312C	4460465	8	Socket, Female	
314	4923109	1	Harness, Main Valve	C
314A	4460933	1	Connector - 12 Position (Gray)	
314A	4460465	12	Socket, Female	
314B	4460891	11	Plug, Male - 2 Position	
314B	4460465	22	Socket, Female	
315	0100083	AR	Grease, Heat Transfer (Not Shown)	
318	4460905	5	Seal, Plug	
		Ref	<b>STANDARD HARNESS COMPONENTS</b>	
401		Ref	Receptacle, Tow Vehicle Options:	
401A	See Note	1	Receptacle, Flat 4 Way (Machines with Hydraulic Brakes) (ANSI and ANSI Export Specs) (Note: Not Available - Purchase Locally)	
401B	See Note	1	Receptacle, 7 Way (Machines with Electric Brakes) (ANSI and ANSI Export Specs) (Note: Not Available - Purchase Locally)	
401C	See Note	1	Receptacle (Machines with Hydraulic Brakes) (Australian and CE Specs) (Note: Not Available - Purchase Locally)	
402		Ref	Harness, Trailer To Tow Vehicle Options (Machines with Electric Brakes):	



## SECTION 7 - ELECTRICAL

ITEM	PART NUMBER	QTY	DESCRIPTION	REV
402	4923202	1	Harness, Trailer To Tow Vehicle T350	D
402	4923203	1	Harness, Trailer To Tow Vehicle T500J	D
402A	4460035	9	Connector, Butt Splice	
402B	72203	1	Plug, Male - Flat 4 Way	
402C	See Note	1	Plug, Male - 7 Way (Note: Not Available for Purchase)	
403		Ref	Harness, Lights Options (ANSI and ANSI Export Specs Only):	
		Ref	<b>Note: Used on Machines with Hydraulic Brakes to Connect to Tow Vehicle. Used on Machines with Electric Brakes to Supply Power from 7 Way Plug to Lights</b>	
403	4923148	1	Harness, Lights Options T350	E
403	4923149	1	Harness, Lights Options T500J	E
403A	4460932	1	Receptacle, Female - 4 Position	
403A	4460464	4	Pin, Male	
403B	4460248	2	Connector, Butt Splice	
403B	4460313	2	Ring, Terminal	
403C	4460256	2	Ring, Terminal	
403D	See Note	1	Receptacle, Female - Flat 4 Way (Note: Not Available for Purchase)	
404	See Note	1	Harness, Breakaway Switch (Machines with Electric Brakes) (ANSI and ANSI Export Specs Only) (Note: Not Available for Purchase)	
405	See Note	1	Harness, Breakaway Battery Charger (Machines with Electric Brakes) (ANSI and ANSI Export Specs Only) (Note: Not Available for Purchase)	
406	See Note	1	Harness, Brake Magnet (Machines with Electric Brakes) (ANSI and ANSI Export Specs Only) (Note: Not Available for Purchase)	
412		Ref	Battery Cable Kit Options (Electric Powered Machines Only):	
412	4923020	1	Without Drive Option	D
412	4923428	1	With Drive Option	D
412A	See Note	1	Battery Cable - Contactor To Sevcon "B+" to Pump + (Note: Not Available for Purchase)	
412B	70000235	3	Boot (Red)	
412C	See Note	1	Battery Cable - Batteries to Sevcon Controller (Note: Not Available for Purchase)	
412D	70000236	2	Boot (Black)	
412E	See Note	2	Harness, Jumper (Note: Not Available for Purchase)	
412F	70000235	4	Boot (Red)	
412G	See Note	1	Cable, Electrical (Black) - Sevcon "A" to Pump - (Note: Not Available for Purchase)	
412H	70000236	2	Boot (Black)	
412J	See Note	1	Cable, Battery (Note: Not Available for Purchase)	
412K	70000236	1	Boot (Black)	
412L	70000235	1	Boot (Red)	
413		Ref	Battery Charger Components (Electric Powered Machines Only)	
413A		Ref	Cord, AC Options:	
413A	7011638	1	MAC Battery Charger (Includes Plug)	
413A	See Note	1	Delta-Q Battery Charger (Note: Not Available for Purchase)	
413B	See Note	1	Receptacle, Female (Delta-Q Battery Charger Only) (Note: Not Available for Purchase)	
413C		Ref	DC Harness Options:	
413C	See Note	1	Delta-Q Battery Charger (Note: Not Available for Purchase)	
413C	7018567	1	MAC Battery Charger	
413D	4461260	1	Connector, Female Deutsch (SN 0030002681 through 0030012032)	
413D	4460508	1	Socket, Female	

## SECTION 7 - ELECTRICAL

ITEM	PART NUMBER	QTY	DESCRIPTION	REV
413E	4460424	1	Connector, Male - 2 Position	
413E	4460267	2	Pin, Male	
413F	See Note	1	Connector, Strain Relief (Note: Not Available for Purchase)	
413G	See Note	1	Connector, Strain Relief (Note: Not Available for Purchase)	
413H		Ref	Cord, Electrical Extension	
413H	1060688	1	ANSI and ANSI Export (With Standard 110V ANSI Plug)	
413H	1060689	1	Australian and CE Specs (With Locally Supplied Plug)	
414		Ref	Harness, Trailer to Tow Vehicle Options (Australian, CE and South Africa Specs Only):	
414		Ref	Harness, Trailer to Tow Vehicle T350 (CE Specs) Options:	
414	4923268	1	Harness, Trailer to Tow Vehicle ( <b>Prior to SN 0030005642</b> )	A
414	1001155254	1	Harness, Trailer to Tow Vehicle ( <b>SN 0030005642 through 0030012032</b> )	A
414	4923317	1	Harness, Trailer to Tow Vehicle T350 (Australian and South Africa Specs)	A
414	4923269	1	Harness, Trailer to Tow Vehicle T500J (CE Specs)	A
414	4923318	1	Harness, Trailer to Tow Vehicle T500J (Australian and South Africa Specs)	A
414A	4460932	1	Receptacle, Female - 4 Position	
414A	4460464	4	Pin, Male	
414B		Ref	Receptacle to Tow Vehicle - 7 Position Options:	
414B	4461098	1	Receptacle to Tow Vehicle - 7 Position T350 (CE Specs)	
414B	Not Required	0	Receptacle to Tow Vehicle - 7 Position T350 (Australian and South Africa Specs)	
414B	4461098	1	Receptacle to Tow Vehicle - 7 Position T500J (CE Specs)	
414B	Not Required	0	Receptacle to Tow Vehicle - 7 Position T500J (Australian and South Africa Specs)	
414C	4460897	2	Receptacle, Female - 2 Position	
414C	4460464	4	Pin, Male	
414D		Ref	Hardware Options:	
414D		Ref	Hardware T350 (CE Specs):	
414D	4460931	1	Receptacle, Female - 8 Position	
414D	4460464	7	Pin, Male	
414D		Ref	Hardware T350 (Australian and South Africa Specs):	
414D	4460970	1	Receptacle, Female - 8 Position	
414D	4460464	12	Pin, Male	
414D		Ref	Hardware T500J (CE Specs):	
414D	4460931	1	Receptacle, Female - 8 Position	
414D	4460464	7	Pin, Male	
414D		Ref	Hardware T500J (Australian and South Africa Specs):	
414D	4460970	1	Receptacle, Female - 12 Position	
414D	4460464	9	Pin, Male	
415	See Note	1	Harness, Rear Lights (Australian and CE Specs Only) (Note: Not Available for Purchase)	
415A	4460930	1	Plug, Male - 8 Position	
415A	4460465	7	Socket, Female	
416	See Note	1	Harness, Side Marker Lights (Australian and CE Specs Only) (Note: Not Available for Purchase)	
416A	4460891	4	Plug, Male - 2 Position	
416A	4460465	8	Socket, Female	
417	0275439	1	Contacting Components	C
417A	2400087	1	Fuse - 300 Amp	
417A	2400088	1	Fuseholder	

## SECTION 7 - ELECTRICAL

ITEM	PART NUMBER	QTY	DESCRIPTION	REV
417B	4923545	1	Cable Kit, Electrical (Fuse to Batteries) (Includes 2 Cables)	
417C	See Note	2	Connector, Anderson (Note: Not Available for Purchase)	
417D	4923570	1	Cable, Electrical (Fuse to Contactor)	
417E	See Note	1	Harness, Relay (Part of Contactor) (Note: Not Available for Purchase)	
417F	4460891	1	Plug, Male - 2 Position	
417F	4460465	2	Socket, Female	
		Ref	<b>OPTIONAL HARNESS COMPONENTS</b>	
501	4000008	2	Proximity Sensor Harness (Includes Sensor)	B
501A	4461076	2	Receptacle, Female - 4 Position (1 Per Harness)	
501A	4460917	8	Pin, Gold Male (2 Per Harness)	
502	4923340	1	Drive Option Harness	D
502A	4460891	5	Plug, Male - 2 Position	
502A	4460465	10	Socket, Female	
502B	4460894	1	Connector - 6 Position	
502B	4460465	2	Socket, Female	
502B	4460944	3	Socket, Gold Female	
502C	4461077	2	Plug, Male - 4 Position	
502C	4460918	8	Socket, Gold Female	
502D	4460761	1	Receptacle, Female - 4 Position	
502D	4460227	3	Pin, Male	
502E	4460909	1	Plug, Male - 12 Position (Black)	
502E	4460928	11	Socket, Female	
502F	4460908	1	Plug, Male - 12 Position (Gray)	
502F	4460918	6	Socket, Female	
502G	3990013	1	Diode 1 Amp	
503	2920161	1	Strobe Light Harness (Includes Strobe Light)	A
503A	4460891	1	Plug, Male - 2 Position	
503A	4460465	2	Socket, Female	
504	4923128	1	Strobe and Alarm Harness	B
504A	4460884	1	Plug, Male - 4 Position	
504A	4460465	4	Socket, Female	
504B	4460897	1	Receptacle, Female - 2 Position	
504B	4460464	4	Pin, Male	
504C	4460539	1	Plug, Male - 3 Position	
504C	4460465	3	Socket, Female	
505		Ref	Lifting Hook Components	
505A	4923124	1	Hook Harness	E
505B	4461016	1	Connector - 14 Position	
505B	4460464	9	Pin, Male	
505B	4460941	3	Pin, Gold Male	
505C	4460970	1	Connector - 12 Position	
505C	4460464	9	Pin, Male	
505C	4460943	3	Pin, Gold Male	
505D	4460933	1	Connector - 12 Position	
505D	4460465	9	Socket, Female	
505D	4460942	3	Socket, Gold Female	
505E	4460470	1	Nut, Terminal	
505F	4460471	1	Lockwasher, Terminal	
505G	4461065	1	Cap, Dust	
506		Ref	AC Outlet Components Options:	
506	0273663	Ref	With Factory Installed GFI Outlet	F

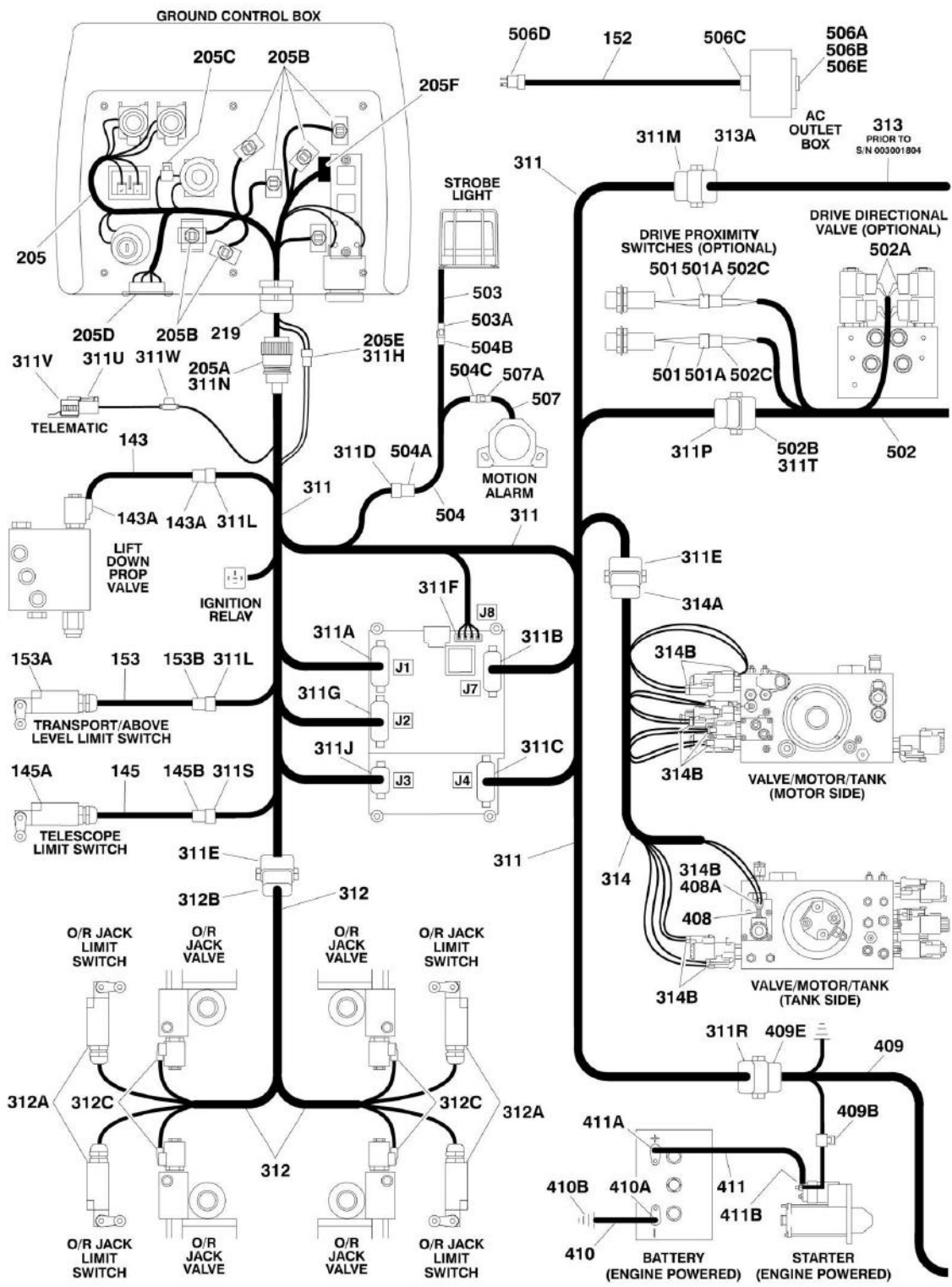
## SECTION 7 - ELECTRICAL

ITEM	PART NUMBER	QTY	DESCRIPTION	REV
506	0273664	Ref	With Dealer Installed Local Supplied Outlet	E
506		Ref	Decal Options:	
506	3251243	1	120V-60Hz	
506	3252507	1	220V	
506A	0860038	1	Box, AC	
506B		Ref	Cover Options:	
506B	4060700	1	Cover with Factory Installed GFI Outlet (Side Hinged)	
506B	1001110873	1	Cover with Factory Installed GFI Outlet (Top Hinged)	
506B	See Note	1	Cover (Note: With Dealer Installed Local Supplied Outlet)	
506C	4460071	1	Connector, Strain Relief	
506D		Ref	Plug, Male Options:	
506D	4460138	1	Plug with Factory Installed GFI Outlet	
506D	See Note	1	Plug (Note: With Dealer Installed Local Supplied Outlet)	
506E		Ref	Receptacle Options:	
506E	4460346	1	Receptacle with Factory Installed GFI Outlet	
506E	See Note	1	Receptacle (Note: With Dealer Installed Local Supplied Outlet)	
507	See Note	1	Alarm Harness (Note: Not Available - Purchase p/n 0140043)	
507A	4460536	1	Receptacle, Female - 3 Position	
507A	4460464	3	Pin, Male	

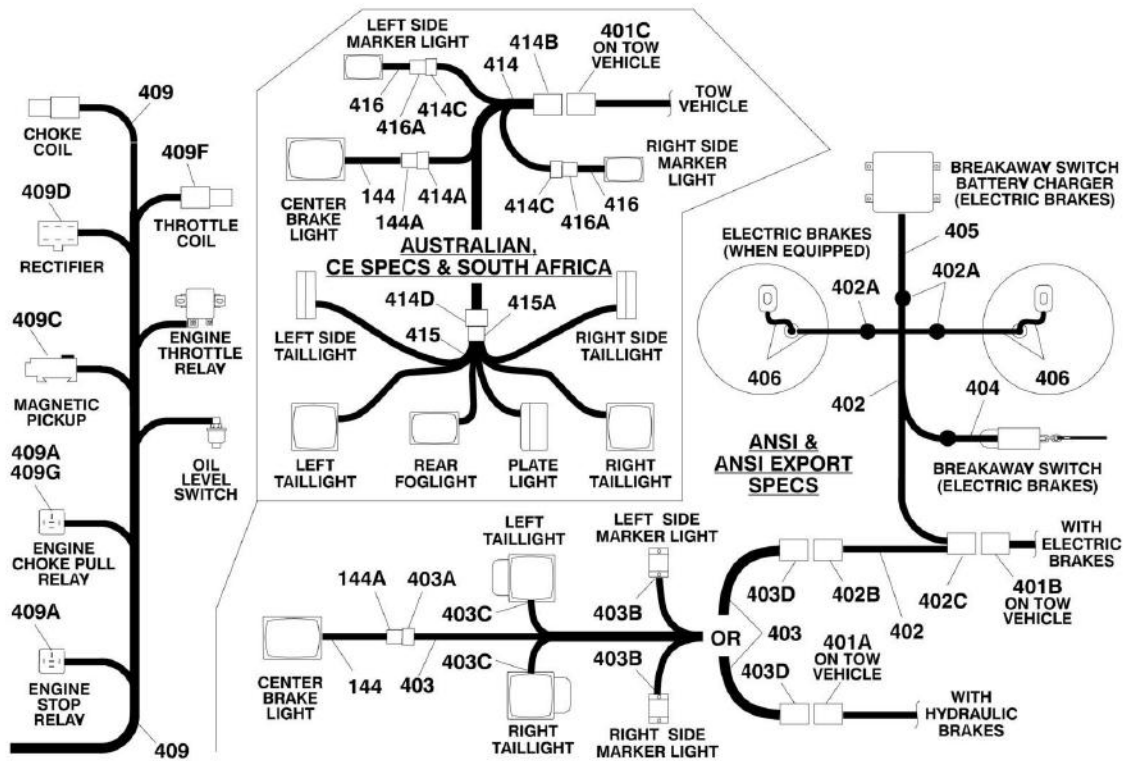
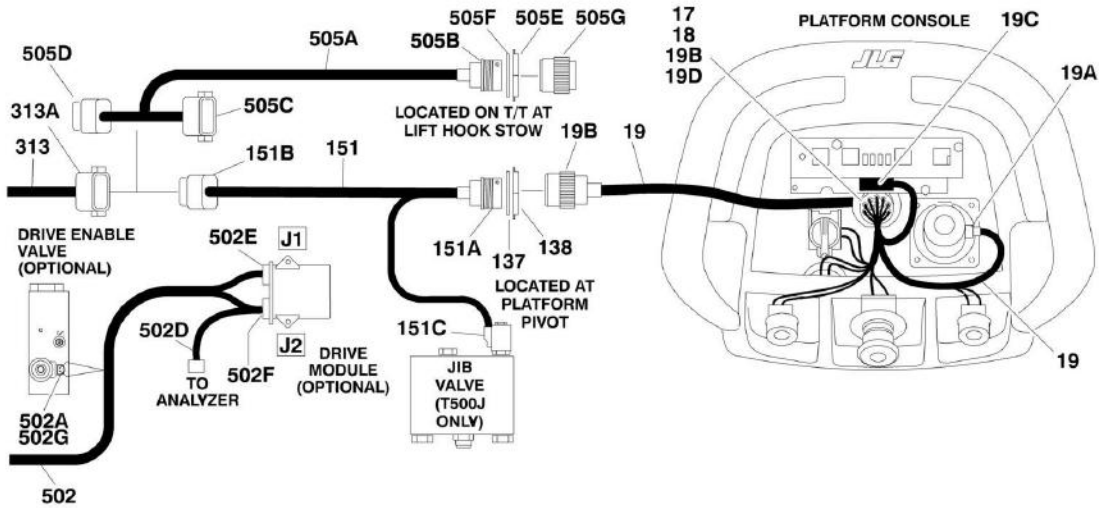


# SECTION 7 - ELECTRICAL

## FIGURE 7-3. ELECTRICAL COMPONENTS INSTALLATION - ENGINE POWERED MACHINES



# SECTION 7 - ELECTRICAL



## SECTION 7 - ELECTRICAL

FIGURE 7-3. ELECTRICAL COMPONENTS INSTALLATION - ENGINE POWERED MACHINES

ITEM	PART NUMBER	QTY	DESCRIPTION	REV
		Ref	<b>CONSOLE BOX ELECTRICAL COMPONENTS</b>	
17	4460497	1	Nut, Terminal	
18	4460496	1	Lockwasher, Terminal	
19		Ref	Harness, Console Box (Internal and Pig-Tail) Options:	
19	4923117	1	Without Drive Option	E
19	4923126	1	With Drive Option	E
19	4923039	5 ft/1.5m	Cable, Electrical - 18/9 & 18/1	
19A	4461024	1	Connector - 10 Position	
19A	4461025	Ref	Pin, Male Options:	
19A	4461025	6	Without Drive Option	
19A	4461025	8	With Drive Option	
19B	4461015	2	Connector - 14 Position	
19B	4460465	18	Socket, Female	
19B	4460944	6	Socket, Female (Gold)	
19B	2820026	AR	Loom	
19B	2820031	AR	Shrink, Heat	
19C	4461057	1	Connector - 16 Position	
19C	4461058	Ref	Socket, Female Options:	
19C	4461058	14	Without Drive Option	
19C	4461058	15	With Drive Option	
19D	4461016	1	Connector - 14 Position	
19D	4460464	6	Pin, Male	
19D	4460943	2	Pin, Gold Male	
		Ref	<b>BOOM HARNESS AND COMPONENTS</b>	
137	4460496	1	Lockwasher, Terminal	
138	4460497	1	Nut, Terminal	
143		Ref	Harness, Lift Down Prop Valve Options:	
143	4923100	1	Harness, Lift Down Prop Valve T350	C
143	4923101	1	Harness, Lift Down Prop Valve T500J	C
143A	4460891	2	Plug, Male - 2 Position	
143A	4460465	4	Socket, Female	
144		Ref	Harness, Center Brake Light Options:	
144	4923185	1	Harness, Center Brake Light T350	B
144	4923184	1	Harness, Center Brake Light T500J	B
144A	4460884	1	Plug, Male - 4 Position	
144A	4460465	4	Socket, Female	
145		Ref	Harness, Telescope Limit Switch Options:	
145	4923192	1	Harness, Telescope Limit Switch T350	A
145	4923193	1	Harness, Telescope Limit Switch T500J	A
145A	4360577	1	Switch, Limit	
145B	4460897	1	Receptacle, Female - 2 Position	
145B	4460464	2	Pin, Male	
151		Ref	Harness, Boom Cable Options:	
151	4923040	1	Harness, Boom Cable T350 (Single Cable)	D
151	4923102	1	Harness, Boom Cable T500J (Two Cables Tie-Strapped Together)	E
151A	4461016	1	Connector - 14 Position	
151A	4460464	9	Pin, Male	
151A	4460941	3	Pin, Gold Male	
151A	3730119	1	Resistor	



## SECTION 7 - ELECTRICAL

ITEM	PART NUMBER	QTY	DESCRIPTION	REV
151B	4460933	1	Connector - 12 Position	
151B	4460465	9	Socket, Female	
151B	4460942	3	Socket, Gold Female	
151C	4460891	1	Connector - 2 Position (T500J Only)	
151C	4460465	2	Socket, Female	
152		Ref	Harness, AC Cable Options:	
152	4923104	1	Harness, AC Cable T350	B
152	4923111	1	Harness, AC Cable T500J	B
153		Ref	Harness, Transport Limit Switch Options:	
153	4923112	1	Harness, Transport Limit Switch T350	E
153	4923217	1	Harness, Transport Limit Switch T500J	B
153A	4360577	1	Switch, Limit	
153B	4460891	1	Connector - 2 Position	
153B	4460465	2	Socket, Female	
		Ref	<b>GROUND CONTROL BOX ASSEMBLY COMPONENTS</b>	
205	4923125	1	Harness, Ground Control Box	C
205A	4461019	1	Connector - 31 Position	
205A	4460464	30	Pin, Male	
205B	4460418	6	Connector, Terminal	
205B	4460419	18	Terminal, Connector	
205C	2400066	1	Fuseholder with Cover	
205C	2400065	1	Fuse - 30 Amp	
205D	4460761	1	Receptacle, Female - 4 Position	
205D	4460227	4	Pin, Terminal	
205E	4461017	1	Connector -2 Position	
205E	4460508	2	Terminal	
205F	4461041	1	Connector - 8 Position	
205F	4461023	7	Socket, Female	
219	4460426	1	Connector, Strain Relief	
	0273794	Ref	<b>CONTROLLER HARNESSSES COMPONENTS</b>	F
311	4923130	1	Harness, Frame	H
311	3990010	2	Diode 6 Amp	
311A	4460874	1	Connector - 35 Position (Natural)	
311A	4460871	AR	Socket, Female	
311B	4460873	1	Connector - 35 Position (Black)	
311B	4460871	AR	Socket, Female	
311C	4460876	1	Connector - 35 Position (Blue)	
311C	4460871	AR	Socket, Female	
311D	4460932	1	Connector - 4 Position	
311D	4460464	4	Pin, Male	
311E	4460970	2	Connector - 12 Position	
311E	4460464	22	Pin, Male	
311F	4460878	1	Plug, Male - 4 Position	
311F	4460887	AR	Clip, Terminal	
311F	4461271	2	Molex, Terminal	
311F	3990111	1	Varistor	
311G	4460875	1	Connector - 35 Position (Gray)	
311G	4460871	21	Socket, Female	
311H	4461018	1	Connector - 2 Position	
311H	4460509	2	Socket, Female	
311J	4460872	1	Connector - 14 Position (Black)	

## SECTION 7 - ELECTRICAL

ITEM	PART NUMBER	QTY	DESCRIPTION	REV
311J	4460871	AR	Socket, Female	
311L	4460897	2	Connector - 2 Position	
311L	4460464	4	Pin, Male	
311M	4460970	1	Connector - 12 Position	
311M	4460464	8	Pin, Male	
311M	4460943	3	Pin, Gold Male	
311N	4461020	1	Connector - 31 Position	
311N	4460465	AR	Socket, Female	
311P	4460899	1	Connector - 6 Position	
311P	4460464	2	Pin, Male	
311P	4460841	3	Pin, Gold Male	
311R	4460931	1	Connector - 8 Position	
311R	4460464	7	Pin, Male	
311S	4460891	1	Connector - 2 Position	
311S	4460465	2	Socket, Female	
311T	4460894	1	Connector - 6 Position (Used when not Equipped with Drive Option)	
311T	4460466	6	Seal, Plug	
311U	4460884	1	Plug, Male - 4 Position <b>(SN 0030007033 through 0030012032)</b>	
311U	4460465	4	Socket, Female <b>(SN 0030007033 through 0030012032)</b>	
311V	1001192401	1	Connector, Dust Cap <b>(SN 0030007033 through 0030012032)</b>	
311W	8229242	1	Fuse 5 Amp <b>(SN 0030007033 through 0030012032)</b>	
311W	2400060	1	Fuseholder <b>(SN 0030007033 through 0030012032)</b>	
312	4923041	1	Harness, Jack and Valve	C
312A	4360577	4	Switch, Limit	
312B	4460933	1	Connector - 12 Position (Gray)	
312B	4460465	10	Socket, Female	
312B	4460942	2	Socket, Gold Female	
312C	4460891	4	Plug, Male - 2 Position	
312C	4460465	8	Socket, Female	
313	4923103	1	Harness, Frame to Boom <b>(Prior to SN 0030001804)</b>	C
313A	4460970	2	Connector - 12 Position <b>(Prior to SN 0030001804)</b>	
313A	4460464	18	Pin, Male <b>(Prior to SN 0030001804)</b>	
313A	4460943	6	Pin, Gold Male <b>(Prior to SN 0030001804)</b>	
314	4923109	1	Harness, Main Valve	C
314A	4460933	1	Connector - 12 Position (Gray)	
314A	4460465	9	Socket, Female	
314B	4460891	11	Plug, Male - 2 Position	
314B	4460465	22	Socket, Female	
315	0100083	AR	Grease, Heat Transfer (Not Shown)	
		Ref	<b>STANDARD HARNESS COMPONENTS</b>	
401		Ref	Receptacle, Tow Vehicle Options:	
401A	See Note	1	Receptacle, Flat 4 Way (Machines with Hydraulic Brakes) (ANSI and ANSI Export Specs) (Note: Not Available - Purchase Locally)	
401B	See Note	1	Receptacle, 7 Way (Machines with Electric Brakes) (ANSI and ANSI Export Specs) (Note: Not Available - Purchase Locally)	
401C	See Note	1	Receptacle (Machines with Hydraulic Brakes) (Australian and CE Specs) (Note: Not Available - Purchase Locally)	
402		Ref	Harness, Trailer To Tow Vehicle Options (Machines with Electric	
402	4923202	1	Harness, Trailer To Tow Vehicle T350	D
402	4923203	1	Harness, Trailer To Tow Vehicle T500J	D
402A	4460035	9	Connector, Butt Splice	

## SECTION 7 - ELECTRICAL

ITEM	PART NUMBER	QTY	DESCRIPTION	REV
402B	See Note	1	Plug, Male - Flat 4 Way (Note: Not Available for Purchase)	
402C	See Note	1	Plug, Male - 7 Way (Note: Not Available for Purchase)	
403		Ref	Harness, Lights Options (ANSI and ANSI Export Specs Only):	
		Ref	<b>Note: Used on Machines with Hydraulic Brakes to Connect to Tow Vehicle. Used on Machines with Electric Brakes to Supply Power from 7 Way Plug to Lights</b>	
403	4923148	1	Harness, Lights T350	E
403	4923149	1	Harness, Lights T500J	E
403A	4460932	1	Receptacle, Female - 4 Position	
403A	4460464	4	Pin, Male	
403B	4460248	2	Connector, Butt Splice	
403B	4460313	2	Ring, Terminal	
403C	4460256	2	Ring, Terminal	
403D	See Note	1	Receptacle, Female - Flat 4 Way (Note: Not Available for Purchase)	
404	See Note	1	Harness, Breakaway Switch (Machines with Electric Brakes) (ANSI and ANSI Export Specs Only) (Note: Not Available for Purchase)	
405	See Note	1	Harness, Breakaway Battery Charger (Machines with Electric Brakes) (ANSI and ANSI Export Specs Only) (Note: Not Available for Purchase)	
406	See Note	1	Harness, Brake Magnet (Machines with Electric Brakes) (ANSI and ANSI Export Specs Only) (Note: Not Available for Purchase)	
408	See Note	1	Dump Valve Harness (Note: Not Available for Purchase)	
408A	4460897	1	Receptacle, Female - 2 Position	
408A	4460464	2	Pin, Male	
409		Ref	Harness, Engine Options:	
409	4923132	1	Harness ( <b>Prior to SN 0030004208</b> )	F
		Ref	<b>(Note: Some machines may have had Service Replacement Kit p/n 1001136471 installed. Machines with kit will have Harness p/n 1001128929.)</b>	
409	1001128929	1	Harness ( <b>SN 0030004208 through 0030012032</b> )	E
409	3990010	2	Diode 6 Amp	
409A	4460741	2	Connector, Relay ( <b>Prior to SN 030004381</b> )	
409A	4460420	AR	Terminal ( <b>Prior to SN 030004381</b> )	
409A	4460374	2	Connector, Relay ( <b>SN 030004381 through 0030012032</b> )	
409A	1001116733	6	Socket, Female ( <b>SN 030004381 through 0030012032</b> )	
409B	2400057	1	Fuse 15 Amp	
409B	2400060	1	Fuseholder	
409C	4461047	1	Plug, Male - 2 Position	
409C	4461046	2	Terminal, Spade	
409D	4461049	1	Receptacle, Female - 6 Position	
409D	4461048	5	Terminal, Slip-On	
409E	4460930	1	Connector - 8 Position	
409E	4460465	7	Socket, Female	
409F	4460459	1	Plug, Male - 3 Position	
409F	4460457	3	Socket, Female	
409F	4460458	3	Seal, Terminal	
409G	1001116734	2	Socket, Female ( <b>SN 030004381 through 0030012032</b> )	
410	4923153	1	Cable, Battery - Ground	C
410A	0840047	1	Boot	
410B	0840041	1	Boot	
411	4923154	1	Cable, Battery - Power	B
411A	0840046	1	Boot	

## SECTION 7 - ELECTRICAL

ITEM	PART NUMBER	QTY	DESCRIPTION	REV
411B	0840041	1	Boot	
414		Ref	Harness, Trailer to Tow Vehicle Options (Australian, CE and South Africa Specs Only):	
414		Ref	Harness, Trailer to Tow Vehicle T350 (CE Specs) Options:	
414	4923268	1	Harness, Trailer to Tow Vehicle <b>(Prior to SN 0030005642)</b>	A
414	1001155254	1	Harness, Trailer to Tow Vehicle <b>(SN 0030005642 through 0030012032)</b>	A
414	4923317	1	Harness, Trailer to Tow Vehicle T350 (Australian and South Africa Specs)	A
414	4923269	1	Harness, Trailer to Tow Vehicle T500J (CE Specs)	A
414	4923318	1	Harness, Trailer to Tow Vehicle T500J (Australian and South Africa Specs)	A
414A	4460932	1	Receptacle, Female - 4 Position	
414A	4460464	4	Pin, Male	
414B		Ref	Receptacle to Tow Vehicle - 7 Position Options:	
414B	4461098	1	Receptacle to Tow Vehicle - 7 Position T350 (CE Specs)	
414B	Not Required	0	Receptacle to Tow Vehicle - 7 Position T350 (Australian and South Africa Specs)	
414B	4461098	1	Receptacle to Tow Vehicle - 7 Position T500J (CE Specs)	
414B	Not Required	0	Receptacle to Tow Vehicle - 7 Position T500J (Australian and South Africa Specs)	
414C	4460897	2	Receptacle, Female - 2 Position	
414C	4460464	4	Pin, Male	
414D		Ref	Hardware Options:	
414D		Ref	Hardware T350 (CE Specs):	
414D	4460931	1	Receptacle, Female - 8 Position	
414D	4460464	7	Pin, Male	
414D		Ref	Hardware T350 (Australian and South Africa Specs):	
414D	4460970	1	Receptacle, Female - 8 Position	
414D	4460464	12	Pin, Male	
414D		Ref	Hardware T500J (CE Specs):	
414D	4460931	1	Receptacle, Female - 8 Position	
414D	4460464	7	Pin, Male	
414D		Ref	Hardware T500J (Australian and South Africa Specs):	
414D	4460970	1	Receptacle, Female - 12 Position	
414D	4460464	9	Pin, Male	
415	See Note	1	Harness, Rear Lights (Australian and CE Specs Only) (Note: Not Available for Purchase)	
415A	4460930	1	Plug, Male - 8 Position	
415A	4460465	7	Socket, Female	
416	See Note	1	Harness, Side Marker Lights (Australian and CE Specs Only) (Note: Not Available for Purchase)	
416A	4460891	4	Plug, Male - 2 Position	
416A	4460465	8	Socket, Female	
		Ref	<b>OPTIONAL HARNESS COMPONENTS</b>	
501	4000008	2	Proximity Sensor Harness (Includes Sensor)	B
501A	4461076	2	Receptacle, Female - 4 Position (1 Per Harness)	
501A	4460917	8	Pin, Gold Male (2 Per Harness)	
502	4923340	1	Drive Option Harness	D
502A	4460891	5	Plug, Male - 2 Position	
502A	4460465	10	Socket, Female	
502B	4460894	1	Connector - 6 Position	
502B	4460465	2	Socket, Female	

## SECTION 7 - ELECTRICAL

ITEM	PART NUMBER	QTY	DESCRIPTION	REV
502B	4460944	3	Socket, Gold Female	
502C	4461077	2	Plug, Male - 4 Position	
502C	4460918	8	Socket, Gold Female	
502D	4460761	1	Receptacle, Female - 4 Position	
502D	4460227	3	Pin, Male	
502E	4460909	1	Plug, Male - 12 Position (Black)	
502E	4460928	11	Socket, Female	
502F	4460908	1	Plug, Male - 12 Position (Gray)	
502F	4460918	6	Socket, Female	
502G	3990013	1	Diode 1 Amp	
503	2920161	1	Strobe Light Harness (Includes Strobe Light)	A
503A	4460891	1	Plug, Male - 2 Position	
503A	4460465	2	Socket, Female	
504	4923128	1	Strobe and Alarm Harness	B
504A	4460884	1	Plug, Male - 4 Position	
504A	4460465	4	Socket, Female	
504B	4460897	1	Receptacle, Female - 2 Position	
504B	4460464	4	Pin, Male	
504C	4460539	1	Plug, Male - 3 Position	
504C	4460465	3	Socket, Female	
505		Ref	Lifting Hook Components	
505A	4923124	1	Hook Harness	E
505B	4461016	1	Connector - 14 Position	
505B	4460464	9	Pin, Male	
505B	4460941	3	Pin, Gold Male	
505C	4460970	1	Connector - 12 Position	
505C	4460464	9	Pin, Male	
505C	4460943	3	Pin, Gold Male	
505D	4460933	1	Connector - 12 Position	
505D	4460465	9	Socket, Female	
505D	4460942	3	Socket, Gold Female	
505E	4460470	1	Nut, Terminal	
505F	4460471	1	Lockwasher, Terminal	
505G	4461065	1	Cap, Dust	
506		Ref	AC Outlet Components Options:	
506	0273663	Ref	With Factory Installed GFI Outlet	F
506	0273664	Ref	With Dealer Installed Local Supplied Outlet	E
506		Ref	Decal Options:	
506	3251243	1	120V-60Hz	
506	3252507	1	220V	
506A	0860038	1	Box, AC	
506B		Ref	Cover Options:	
506B	4060700	1	Cover with Factory Installed GFI Outlet (Side Hinged)	
506B	1001110873	1	Cover with Factory Installed GFI Outlet (Top Hinged)	
506B	See Note	1	Cover (Note: With Dealer Installed Local Supplied Outlet)	
506C	4460071	1	Connector, Strain Relief	
506D		Ref	Plug, Male Options:	
506D	4460138	1	Plug with Factory Installed GFI Outlet	
506D	See Note	1	Plug (Note: With Dealer Installed Local Supplied Outlet)	
506E		Ref	Receptacle Options:	
506E	4460346	1	Receptacle with Factory Installed GFI Outlet	

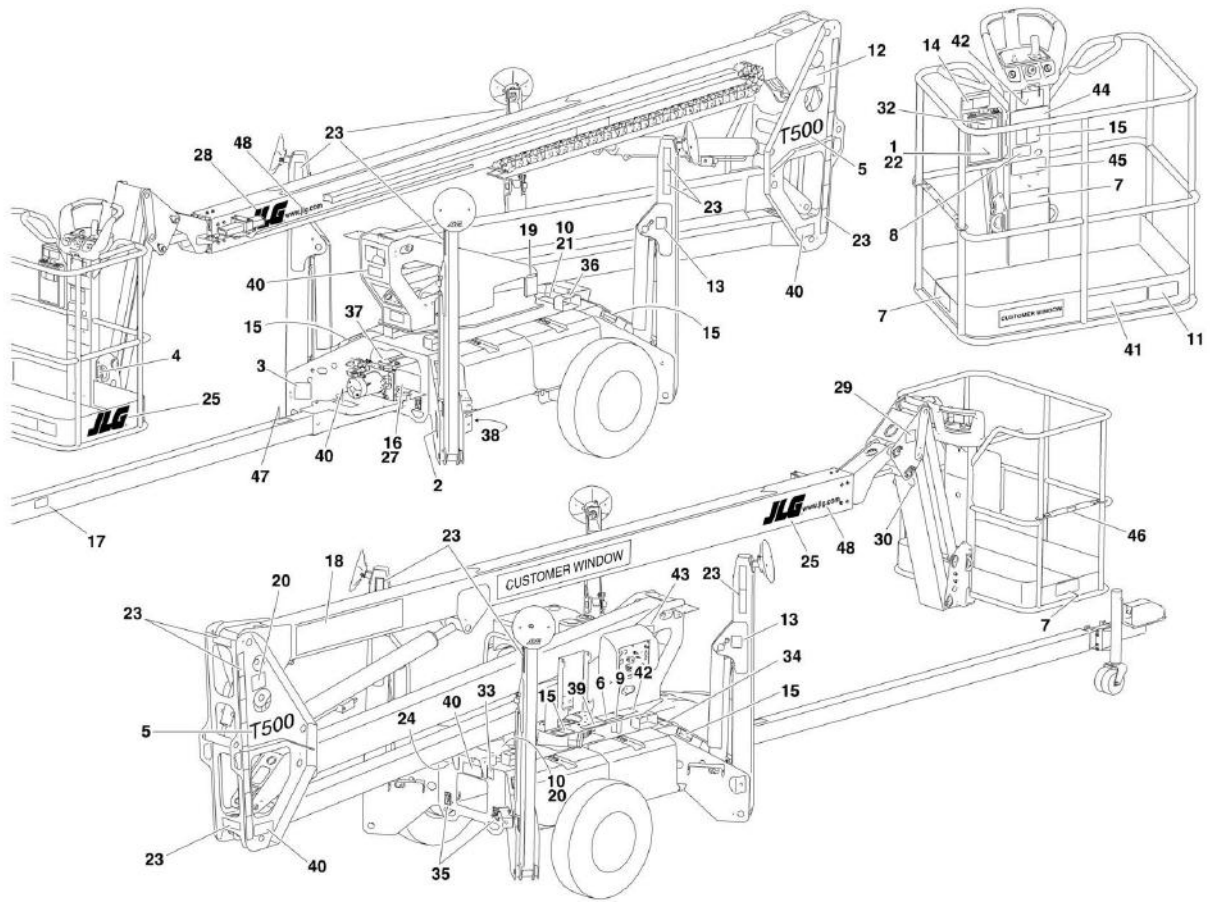
## SECTION 7 - ELECTRICAL

ITEM	PART NUMBER	QTY	DESCRIPTION	REV
506E	See Note	1	Receptacle (Note: With Dealer Installed Local Supplied Outlet)	
507	See Note	1	Alarm Harness (Note: Not Available for Purchase)	
507A	4460536	1	Receptacle, Female - 3 Position	
507A	4460464	3	Pin, Male	

**SECTION 8 - DECALS**

# SECTION 8 - DECALS

## FIGURE 8-1. DECAL INSTALLATION (ANSI SPEC) (Prior to SN 0030000281)





## SECTION 8 - DECALS

**FIGURE 8-1. DECAL INSTALLATION (ANSI SPEC) (Prior to SN 0030000281)**

ITEM	PART NUMBER	QTY	DESCRIPTION	REV
		Ref	<b>DECAL INSTALLATIONS</b>	
		Ref	<b>Note: Machines with S/Ns 0030000224, 0030000257-261 &amp; 0030000264-267 also use the DECAL INSTALLATION Style Decals.</b>	
	0273670	Ref	<b>JLG Decals</b>	2
	0274253	Ref	<b>Common ANSI Decals</b>	F
	0273628	Ref	<b>Model Designation Decals (T350)</b>	2
	0273629	Ref	<b>Model Designation Decals (T500J)</b>	2
	0273662	Ref	<b>Electric Machine Decals (T350)</b>	E
	0273947	Ref	<b>Electric Machine Decals (T500J)</b>	E
	0274326	Ref	<b>Jib Descent Decals (T500J)</b>	E
1	3820032	4	Rivet	
2	1700584	1	Decal - Patent	
3	See Note	NSS	Decal - Barcode (Note: Not Available for Purchase)	
4	1704277	2	Decal - Lanyard Attach	
5		Ref	Decal - Model Designation Options:	
5	1706080	2	Decal T350	
5	1706081	2	Decal T500J	
6	1706106	1	Decal - Capacity (Ground Control Location)	
7	1706107	2	Decal - Capacity (Platform Location)	
8	1706108	1	Decal - Legend (Platform)	
9	1706109	1	Decal - Legend (Ground Control)	
10	See Note	NSS	Nameplate - Serial Number (Note: Not available for purchase)	
11	1706112	1	Decal - Speed Limit	
12	1706120	1	Decal - Lift Diagram	
13		Ref	Decal - Pad Load Options:	
13	1706121	4	Decal - Pad Load T350	
13	1706264	4	Decal - Pad Load T500J	
14		Ref	Decal - Tip Over Options:	
14	1706127	1	Without Drive option	
14	1706133	1	With Drive Option	
15	1706128	6	Decal - Electrocutation	
16	1706139	1	Decal - Manual Descent	
17	1706263	1	Decal - Parking Brake	
18	1706440	NLA	Decal - Tow-Pro (Use p/n 1702774)	
19		Ref	Decal Options:	
19	3251243	1	120V-60Hz	
19	3252507	1	220V	
20	3251813	1	Decal - USA	
21	3820001	6	Rivet	
22	8990147	1	Box, Manual Storage	
22	70003486	2	Clip, Manual Holder	
23	1705817	12 ft/3.7m	Tape, Reflective	
24	1703813	1	Decal - Battery Ventilation (Electric Machines Only)	
25	1702773	2	Decal - 5in JLG	
27	3760170	1	Ring, Split	
28	1705754	1	Decal - 3 1/2in JLG	
29	1706337	1	Decal - Jib Manual Descent (T500J Only)	
30	1706349	1	Decal - Manual Descent Arrows (T500J Only)	
32	1701640	1	Decal - Manual	

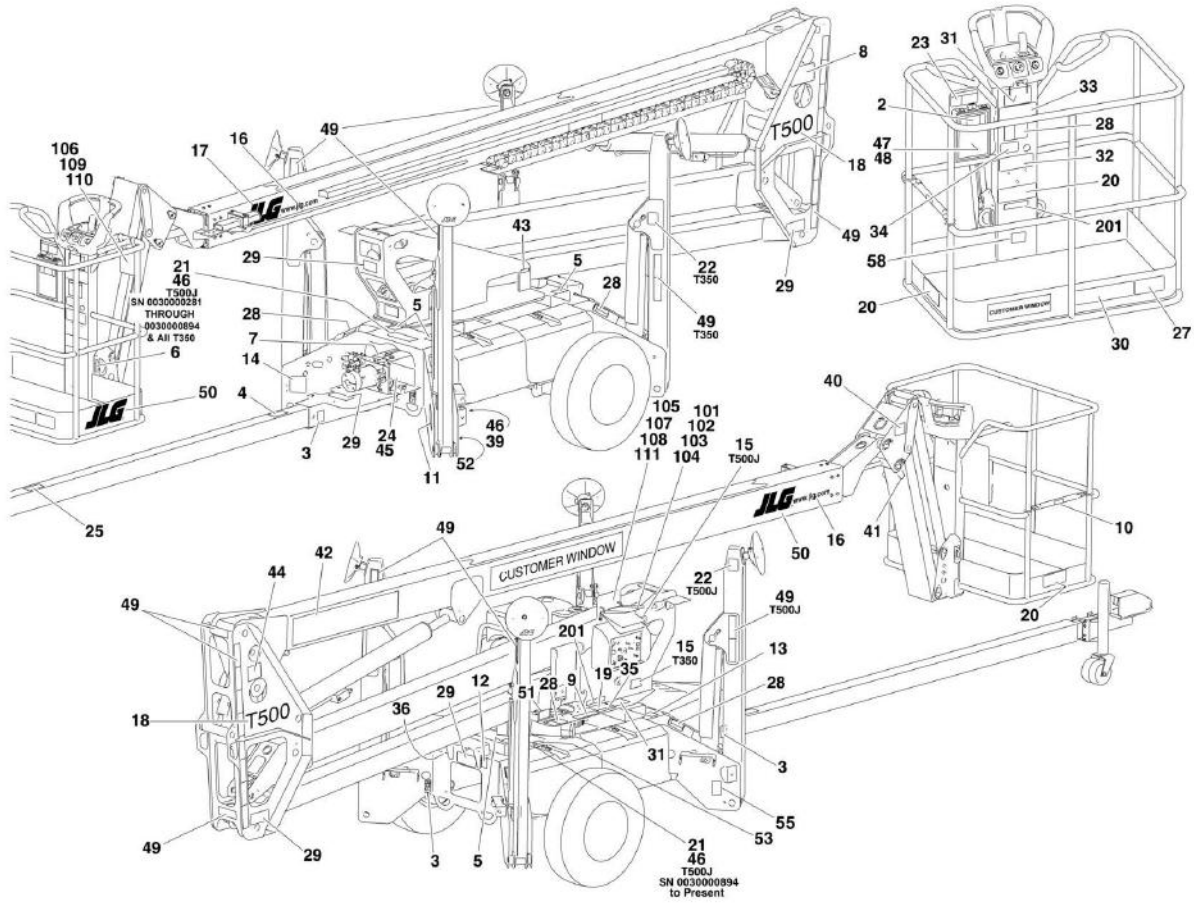
## SECTION 8 - DECALS

ITEM	PART NUMBER	QTY	DESCRIPTION	REV
33	1701644	1	Decal - Battery Charger (Electric Machines Only)	
34	1702155	1	Decal - Battery Disconnect (Electric Machines Only)	
35	1702300	4	Decal - Tie-Down	
36	1703817	4	Decal - Forklift	
37	1704412	1	Decal - Hydraulic Oil	
38	See Note	NSS	Nametag - VIN (Note: Not Available for Purchase)	
39	1706372	1	Decal - Platform Entry Instructions	
40	1706099	5	Decal - Crushing	
41	1706111	1	Decal - Warning Machine Operation	
42	1706135	2	Decal - Warning Inspection	
43	1702961	1	Decal - Warning Prop (Gas Machines Only)	
44	1706386	1	Decal - Fall Hazard	
45	1706387	1	Decal - Crushing	
46	1706385	1	Decal - Drop Bar	
47	1702901	1	Decal - Manual Descent	
48	1704885	2	Decal - Website	
49	1706260	1	Decal - Fuel (Gas Machines Only) (Not Shown - Located on Fuel Cap)	
50	1706440	NLA	Decal - Platform Color (Not Shown) (Use p/n 1702774)	



# SECTION 8 - DECALS

## FIGURE 8-2. DECAL INSTALLATION (ANSI SPEC) (SN 003000281 through 0030012032)



## SECTION 8 - DECALS

**FIGURE 8-2. DECAL INSTALLATION (ANSI SPEC) (SN 0030000281 through 0030012032)**

ITEM	PART NUMBER	QTY	DESCRIPTION	REV
		Ref	<b>DECAL INSTALLATIONS</b>	
		Ref	<b>Note: Machines with S/Ns 0030000224, 0030000257-261 &amp; 0030000264-267 also use the DECAL INSTALLATION Style Decals.</b>	
	0273670	Ref	<b>JLG Decals</b>	4
	0274522	Ref	<b>Common ANSI Decals</b>	R
	0273662	Ref	<b>Battery Charger Decals (T350) (Prior to SN 0030001804)</b>	I
	0275709	Ref	<b>Battery Charger Decals (T350) (SN 0030001804 through 0030001896)</b>	B
	0273947	Ref	<b>Battery Charger Decals (T500J) (Prior to SN 0030001804)</b>	K
	0275718	Ref	<b>Battery Charger Decals (T350/T500J) (SN 0030001804 through 0030012032)</b>	E
	1001201419	Ref	<b>Battery Charger Decals (AGM Batteries) (T350/T500J) (SN 0030006791 through 0030012032)</b>	A
	0274326	Ref	<b>Jib Descent Decals (T500J) (Prior to SN 0030001171)</b>	F
	0275009	Ref	<b>Jib Descent Decals (T500J) (SN 0030001171 through 0030012032)</b>	B
2	1701640	1	Decal - Manual	
3	1703814	4	Decal - Tie-Down	
4	1706384	1	Decal - Manual Descent Inside	
5	1703817	4	Decal - Forklift	
6	1704277	2	Decal - Lanyard Attach	
7	1704412	1	Decal - Hydraulic Oil	
8		Ref	Decal - Lift Diagram Options:	
8	1706120	1	Decal - Lift Diagram (SN 0030000281 through 0030000863)	
8	1706629	1	Decal - Lift Diagram (SN 0030000864 through 0030012032)	
9	1706372	1	Decal - Platform Entry Instructions	
10	1706385	1	Decal - Drop Bar	
11		Ref	Decal - Patent Options:	
11	1700584	1	Decal - Patent (SN 0030000281 through 0030004446)	
11	1001131269	1	Decal - Patent (SN 0030004447 through 0030012032)	
12	1701644	1	Decal - Battery Charger (Electric Machines Only)	
13	1702155	1	Decal - Battery Disconnect (Electric Machines) (Prior to SN 0030001498)	
14	See Note	NSS	Decal - Barcode (Note: Not Available for Purchase)	
15	1702961	1	Decal - Warning Prop (Gas Machines Only)	
16	1704885	2	Decal - Website (SN 0030000281 through 0030000593)	
17	1705754	1	Decal - 3 1/2in JLG	
18		Ref	Decal - Model Designation Options:	
18	1706080	2	Decal T350	
18	1706081	2	Decal T500J	
19	1706106	1	Decal - Capacity (Ground Control Location)	
20	1706107	2	Decal - Capacity (Platform Location)	
21	See Note	NSS	Nameplate - Serial Number (Note: Not Available for Purchase)	
22		Ref	Decal - Pad Load Options:	
22	1706121	4	Decal - Pad Load T350	
22	1706264	4	Decal - Pad Load T500J	
23		Ref	Decal - Tip Over Options:	
23	1706127	1	Without Drive option	
23	1706133	1	With Drive Option	
24	1706139	1	Decal - Manual Descent	

## SECTION 8 - DECALS

ITEM	PART NUMBER	QTY	DESCRIPTION	REV
25	1706263	1	Decal - Parking Brake	
27		Ref	Decal - Speed Limit Options:	
27	1706112	1	Standard Machines	
27	1706475	1	Home Depot Spec Only (Not Part of Decal Kit - Must Be Ordered Separately)	
28	1706128	6	Decal - Electrocutation	
29	1706099	5	Decal - Warning Crushing	
30	1706111	1	Decal - Warning Machine Operation	
31	1706135	2	Decal - Warning Inspection	
32	1706386	1	Decal - Fall Hazard	
33	1706387	1	Decal - Crushing	
34	1706108	1	Decal - Legend (Platform)	
35	1706109	1	Decal - Legend (Ground Control)	
36	1703813	1	Decal - Battery Ventilation (Electric Machines Only)	
39	See Note	1	Nametag - VIN (Note: Not Available for Purchase)	
40	1706337	1	Decal - Jib Manual Descent (T500J Only)	
41	1706349	1	Decal - Manual Descent Arrows (T500J Only)	
42	1706440	NLA	Decal - Tow Pro (Use p/n 1702774)	
43		Ref	Decal Options:	
43	3251243	1	120V-60Hz	
43	3252507	1	220V	
44	3251813	1	Decal - USA	
45	3760170	1	Ring, Split	
46	3820001	6	Rivet	
47	3820032	4	Rivet	
48	8990147	1	Box, Manual Storage	
48	70003486	2	Clip, Manual Holder	
49	1705817	17 ft/5.2m	Tape, Reflective	
50	1702773	1	Decal - 5in JLG	
51		Ref	Decal - Service (Optional)	
51	1705304	1	8 Hours	
51	1706922	1	24 Hours	
52		Ref	Decal - Vehicle Placard (SN 0030003249 through 0030012032)	
52	1001112470	1	Decal - Vehicle Placard T350	
52	1001112471	1	Decal - Vehicle Placard T500J	
53	1001214673	1	Decal - Temperature (SN 0030007492 through 0030012032)	
54	1706260	1	Decal - Fuel (Gas Machines Only) (Not Shown - Located on Fuel Cap)	
55	1001223055	1	Decal - Yearly Inspection (SN 0030008559 through 0030012032)	
56	1001228370	1	Decal - ICES -001(CSA Specs) (Not Shown - Located Beside Serial Number Plate) (SN 0030008559 through 0030012032)	
57	1001223453	1	Decal - ICES -002(CSA Specs) (Not Shown - Located Beside Serial Number Plate) (SN 0030008559 through 0030012032)	
58	1001236338	1	Decal - Prop 65 (SN 0030008559 through 0030012032)	
		Ref	<b>DECAL TAGS INSTALLATIONS:</b>	
	0275582	Ref	<b>Decal Tags Installations T350</b>	A
	0275642	Ref	<b>Decal Tags Installations T500J</b>	A
101	3576892	1	Plate, Cover	
102	1706926	1	Decal - Flash Codes	
103	1706890	1	Decal - Start Tag	
104	1706924	1	Decal - Finish Tag	

## SECTION 8 - DECALS

ITEM	PART NUMBER	QTY	DESCRIPTION	REV
105	0641404	2	Bolt 1/4in-20NC x 1/2in	
106	1706897	1	Decal - Start Tag	
107	3311405	2	Locknut 1/4in-20NC	
108		Ref	Plate, Decal Mount Options:	
108	3577000	1	Plate, Decal Mount T350	
108	3576891	1	Plate, Decal Mount T500J	
109	3820038	2	Rivet, Snap	
110	3820039	2	Rivet, Snap	
111	91163087	2	Bracket, Load Chart	
	1001114580	Ref	<b>BOOM INSTALLATIONS (WITH AIR AND DUAL WATER LINES)</b>	A
201	1001115241	2	Decal - Capacity Reduction	





## SECTION 8 - DECALS

### FIGURE 8-3. DECAL INSTALLATION (COUNTRY SPEC)

ITEM	PART NUMBER	QTY	DESCRIPTION	REV
		Ref	<b>DECAL INSTALLATIONS</b>	
	0273670	Ref	<b>JLG Decals</b>	4
	0275836	Ref	<b>Decal Plate Installation (T350 with Dual Language Only)</b>	A
	0273641	Ref	<b>French/English Dual Language Decals (CSA Spec)</b>	L
	0273644	Ref	<b>Portuguese/English Dual Language Decals (Brazil Spec)</b>	K
	0274942	Ref	<b>South Africa/English Dual Language Decals (South Africa Spec)</b>	G
	0273640	Ref	<b>Spanish/English Dual Language Decals (Latin American Spec)</b>	K
	0274482	Ref	<b>Spanish Only Decals</b>	H
	0273662	Ref	<b>Battery Charger Decals (T350) (Prior to SN 0030001804)</b>	I
	0275709	Ref	<b>Battery Charger Decals (T350) (SN 0030001804 through 0030001896)</b>	B
	0273947	Ref	<b>Battery Charger Decals (T500J) (Prior to SN 0030001804)</b>	K
	0275718	Ref	<b>Battery Charger Decals (T350/T500J) (SN 0030001804 through 0030012032)</b>	E
	1001201419	Ref	<b>Battery Charger Decals (AGM Batteries) (T350/T500J) (SN 0030006791 through 0030012032)</b>	A
	0274326	Ref	<b>Jib Descent Decals (T500J) (Prior to SN 0030001171)</b>	F
	0275009	Ref	<b>Jib Descent Decals (T500J) (SN 0030001171 through 0030012032)</b>	B
2	1701640	1	Decal - Manual	
3	1703814	4	Decal - Tie-Down	
4	1706384	1	Decal - Manual Descent Inside	
5	1703817	4	Decal - Forklift	
6	1704277	2	Decal - Lanyard Attach	
7	1704412	1	Decal - Hydraulic Oil	
8	1706120	NLA	Decal - Lift Diagram (Use p/n 1706629)	
9	1706372	1	Decal - Platform Entry Instructions	
10		Ref	Decal - Drop Bar Options:	
10	1706385	1	All Specs Except Spanish Only	
10	1706385	1	Spanish ( <b>Prior to SN 0030000460</b> )	
10	1706494	1	Spanish ( <b>SN 0030000460 through 0030012032</b> )	
11	0701014	3	Bolt 10mm x 30mm (T350 with Dual Language Only)	
12		Ref	Decal - Patent Options:	
12	1700584	1	All Specs Except CSA Spec ( <b>Prior to SN 0030004447</b> )	
12	1700584	1	CSA Spec ( <b>Prior to SN 0030004447</b> )	
12	1001131269	1	CSA Spec ( <b>SN 0030004447 through 0030012032</b> )	
13	1701644	1	Decal - Battery Charger (Electric Machines Only)	
14	1702155	1	Decal - Battery Disconnect (Electric Machines) ( <b>Prior to SN 0030001498</b> )	
15	See Note	NSS	Decal - Barcode (Note: Not Available for Purchase)	
17		Ref	Decal - Service Options:	
17	Not Required	0	All Specs	
17	1705304	1	CSA Spec (Optional)	
18	1705754	1	Decal - 3 1/2in JLG	
19		Ref	Decal - Model Designation Options:	
19	1706080	2	Decal - Model Designation T350	
19	1706081	2	Decal - Model Designation T500J	
20	1706106	1	Decal - Capacity (Ground Control Location)	
21	1706107	2	Decal - Capacity (Platform Location)	
22	See Note	NSS	Nameplate - Serial Number (Note: Not Available for Purchase)	

## SECTION 8 - DECALS

ITEM	PART NUMBER	QTY	DESCRIPTION	REV
23		Ref	Decal - Pad Load Options:	
23	1706121	4	Decal - Pad Load T350	
23	1706264	4	Decal - Pad Load T500J	
24		Ref	Decal - Tip Over Options:	
24		Ref	Without Drive Option:	
24	0274819	1	French/English Languages (CSA Spec) (Includes Qty 1 each of p/ns 1706127 & 1706514)	
24	0274830	1	Portuguese/English Languages (Brazil Spec) (Includes Qty 1 each of p/ns 1706127 & 1706525)	
24	1706127	1	South Africa/English Languages (South Africa Spec)	
24	0274832	1	Spanish/English Languages (Latin American Spec with Dual Language Decals) (Includes Qty 1 each of p/ns 1706127 & 1706428)	
24	1706428	1	Spanish Language (Latin American Spec with Spanish Only Decals)	
24		Ref	With Drive Option:	
24	0274828	1	French/English Languages (CSA Spec) (Includes Qty 1 each of p/ns 1706133 & 1706514)	
24	0274831	1	Portuguese/English Languages (Brazil Spec) (Includes Qty 1 each of p/ns 1706133 & 1706526)	
24	1706133	1	South Africa/English Languages (South Africa Spec)	
24	0274833	1	Spanish/English Languages (Latin American Spec with Dual Language Decals) (Includes Qty 1 each of p/ns 1706133 & 1706429)	
24	1706429	1	Spanish Language (Latin American Spec with Spanish Only Decals)	
25		Ref	Decal - Parking Brake Options:	
25	1706263	1	Decal - Parking Brake (All Specs Except South Africa Spec)	
25	1706263	1	Decal - Parking Brake (South Africa Spec) <b>(Prior to SN 0030007123)</b>	
25	1706316	1	Decal - Parking Brake (South Africa Spec) <b>(SN 0030007123 through 0030012032)</b>	
27		Ref	Decal - Speed Limit (English Language) Options:	
27	1706112	1	Standard Machines (English Language) (Use with Dual Language Decals)	
27	1706961	1	Standard Machines (English Language) (Use with South Africa Decals Only)	
27	1706427	1	Standard Machines (Spanish Language) (Use with Spanish Language Decals Only)	
27	1706475	1	Home Depot Spec Only (English Language) (Not Part of Decal Kit - Must Be Ordered Separately) (Use with Dual Language Decals Only)	
27	1706536	1	Home Depot Spec Only (Spanish Language) (Not Part of Decal Kit - Must Be Ordered Separately) (Use with Spanish Language Decals Only)	
28		Ref	Decal - Electrocutation Options:	
28	1706128	AR	Machines with Dual Language Decals (English Language)	
28	1706430	AR	Machines with Spanish Language Decals Only (Spanish Language)	
29		Ref	Decal - Warning Crushing Options:	
29	1706099	AR	Machines with Dual Language Decals (English Language)	
29	1706431	AR	Machines with Spanish Language Decals Only (Spanish Language)	
30		Ref	Decal - Warning Machine Operation Options:	
30	1706111	1	Machines with Dual Language Decals (English Language)	
30	1706432	1	Machines with Spanish Language Decals Only (Spanish	

## SECTION 8 - DECALS

ITEM	PART NUMBER	QTY	DESCRIPTION	REV
31		Ref	Language) Decal - Warning Inspection Options:	
31	1706135	2	Machines with Dual Language Decals (English Language)	
31	1706433	2	Machines with Spanish Language Decals Only (Spanish Language)	
32		Ref	Decal - Fall Hazard Options:	
32	1706386	1	Machines with Dual Language Decals (English Language)	
32	1706434	1	Machines with Spanish Language Decals Only (Spanish Language)	
33		Ref	Decal - Crushing Options:	
33	1706387	1	Machines with Dual Language Decals (English Language)	
33	1706435	1	Machines with Spanish Language Decals Only (Spanish Language)	
34		Ref	Decal - Legend (Platform) Options:	
34	1706108	1	Machines with Dual Language Decals (English Language)	
34	1706436	1	Machines with Spanish Language Decals Only (Spanish Language)	
35		Ref	Decal - Legend (Ground Control) Options:	
35	1706109	1	Machines with Dual Language Decals (English Language)	
35	1706437	1	Machines with Spanish Language Decals Only (Spanish Language)	
36		Ref	Decal - Battery Ventilation Options (Electric Machines Only):	
36	1703813	1	Machines with Dual Language Decals (English Language)	
36	1703840	1	Machines with Spanish Language Decals Only (Spanish Language)	
37	1706139	1	Decal - Manual Descent	
38	See Note	NSS	Nametag - VIN (Note: Not Available for Purchase)	
39	1706337	1	Decal - Jib Manual Descent (T500J Only)	
40	1706349	1	Decal - Manual Descent Arrows (T500J Only)	
41	1706440	NLA	Decal - Tow Pro (Use p/n 1702774)	
42		Ref	Decal - Tip Over Options:	
42		Ref	Without Drive Option:	
42	0274819	1	French and English Languages (CSA Spec) (Includes Qty 1 each of p/ns 1706127 & 1706514)	
42	0274830	1	Portuguese and English Languages (Brazil Spec) (Includes Qty 1 each of p/ns 1706127 & 1706525)	
42	1706127	1	South Africa/English Languages (South Africa Spec)	
42	0274832	1	Spanish and English Languages (Latin American Spec) (Includes Qty 1 each of p/ns 1706127 & 1706428)	
42	Not Required	0	Spanish Language (Spanish Only Machines)	
42		Ref	With Drive Option:	
42	0274828	1	French and English Languages (CSA Spec) (Includes Qty 1 each of p/ns 1706133 & 1706514)	
42	0274831	1	Portuguese and English Languages (Brazil Spec) (Includes Qty 1 each of p/ns 1706133 & 1706526)	
42	1706133	1	South Africa/English Languages (South Africa Spec)	
42	0274833	1	Spanish and English Languages (Latin American Spec) (Includes Qty 1 each of p/ns 1706133 and 1706429)	
42	Not Required	0	Spanish Language (Spanish Only Machines)	
43		Ref	Decal Options:	
43	3251243	1	120V-60Hz	
43	3252507	1	220V	
45		Ref	Decal - Speed Limit Options:	
45	1706513	1	CSA Spec (French Language)	

## SECTION 8 - DECALS

ITEM	PART NUMBER	QTY	DESCRIPTION	REV
45	1706524	1	Brazil Spec (Portuguese Language)	
45	1706427	1	Latin American Spec with Dual Language Decals (Spanish)	
45	Not Required	0	Latin American Spec Spanish Language Decals Only	
45	Not Required	0	South Africa Specs	
46		Ref	Decal - Electrocution Options:	
46	1706516	3	CSA Spec (French Language)	
46	1706527	3	Brazil Spec (Portuguese Language)	
46	1706430	3	Latin American Spec with Dual Language Decals (Spanish)	
46	Not Required	0	Latin American Spec Spanish Language Decals Only	
46	Not Required	0	South Africa Specs	
47		Ref	Decal - Warning Crushing Options:	
47	1706517	3	CSA Spec (French Language)	
47	1706528	3	Brazil Spec (Portuguese Language)	
47	1706431	3	Latin American Spec with Dual Language Decals (Spanish)	
47	Not Required	0	Latin American Spec Spanish Language Decals Only	
47	Not Required	0	South Africa Specs	
48		Ref	Decal - Warning Machine Operation Options:	
48	1706518	1	CSA Spec (French Language)	
48	1706529	1	Brazil Spec (Portuguese Language)	
48	1706432	1	Latin American Spec with Dual Language Decals (Spanish)	
48	Not Required	0	Latin American Spec Spanish Language Decals Only	
48	Not Required	0	South Africa Specs	
49		Ref	Decal - Warning Inspection Options:	
49	1706519	2	CSA Spec (French Language)	
49	1706530	2	Brazil Spec (Portuguese Language)	
49	1706433	2	Latin American Spec with Dual Language Decals (Spanish)	
49	Not Required	0	Latin American Spec Spanish Language Decals Only	
49	Not Required	0	South Africa Specs	
50		Ref	Decal - Fall Hazard Options:	
50	1706520	1	CSA Spec (French Language)	
50	1706531	1	Brazil Spec (Portuguese Language)	
50	1706434	1	Latin American Spec with Dual Language Decals (Spanish)	
50	Not Required	0	Latin American Spec Spanish Language Decals Only	
50	Not Required	0	South Africa Specs	
51		Ref	Decal - Crushing Options:	
51	1706521	1	CSA Spec (French Language)	
51	1706532	1	Brazil Spec (Portuguese Language)	
51	1706435	1	Latin American Spec with Dual Language Decals (Spanish)	
51	Not Required	0	Latin American Spec Spanish Language Decals Only	
51	Not Required	0	South Africa Specs	
52		Ref	Decal - Legend (Platform) Options:	
52	1706522	1	CSA Spec (French Language)	
52	1706533	1	Brazil Spec (Portuguese Language)	
52	1706436	1	Latin American Spec with Dual Language Decals (Spanish)	
52	Not Required	0	Latin American Spec Spanish Language Decals Only	
52	Not Required	0	South Africa Specs	
53		Ref	Decal - Legend (Ground Control) Options:	
53	1706523	1	CSA Spec (French Language)	
53	1706534	1	Brazil Spec (Portuguese Language)	
53	1706437	1	Latin American Spec with Dual Language Decals (Spanish)	
53	Not Required	0	Latin American Spec Spanish Language Decals Only	

## SECTION 8 - DECALS

ITEM	PART NUMBER	QTY	DESCRIPTION	REV
53	Not Required	0	South Africa Specs	
54		Ref	Decal - Electrocutation Options:	
54	1706565	4	CSA Spec (French Language)	
54	1706657	4	Brazil Spec (Portuguese Language)	
54	1706664	4	Latin American Spec with Dual Language Decals (Spanish)	
54	1706430	4	Latin American Spec Spanish Language Decals Only	
54	Not Required	0	South Africa Specs	
55		Ref	Decal - Crushing Options:	
55	1706569	2	CSA Spec (French Language)	
55	1706658	2	Brazil Spec (Portuguese Language)	
55	1706665	2	Latin American Spec with Dual Language Decals (Spanish)	
55	1706431	2	Latin American Spec Spanish Language Decals Only	
55	Not Required	0	South Africa Specs	
56		Ref	Decal - Crushing Options:	
56	1703864	1	CSA Spec (French Language)	
56	1703832	1	Brazil Spec (Portuguese Language)	
56	1703840	1	Latin American Spec with Dual Language Decals (Spanish)	
56	Not Required	0	Latin American Spec Spanish Language Decals Only	
56	Not Required	0	South Africa Specs	
57	3251813	1	Decal - USA	
58	3291005	3	Locknut M10 (T350 with Dual Language Only)	
59	3576102	1	Plate, Decal Mounting (Platform) (Dual Language Only)	
60	3576114	1	Plate, Decal Mounting (Turntable) (T350 with Dual Language Only)	
61	3760170	1	Ring, Split	
62	3820001	6	Rivet	
63	3820021	2	Rivet	
64	3820032	4	Rivet	
65	4812000	6	Flatwasher 10mm (T350 with Dual Language Only)	
66	1705817	17 ft/5.2m	Tape, Reflective	
67	8990147	1	Box, Manual Storage	
67	70003486	2	Clip, Manual Holder	
68	1702773	1	Decal - 5in JLG	
69		Ref	Decal - CSA	
69	Not Required	0	Decal (All Specs Except CSA Spec) <b>(Prior to SN 0030007492)</b>	
69	1706351	1	Decal - CSA (CSA Spec Only) <b>(Prior to SN 0030007492)</b>	
69	1001214673	1	Decal - Temperature (All Specs) <b>(SN 0030007492 through 0030012032)</b>	
70	1704885	2	Decal - Website <b>(Prior to SN 0030000593)</b>	
71	1706260	1	Decal - Fuel (Gas Machines) (Not Shown - Located on Fuel Cap)	
72		Ref	Decal - Tire Options (South Africa Spec Machines only):	
72	1706690	1	Decal (205-75-R14 Tires) <b>(T350 Prior to SN 0030003163)</b>	
72	1001112110	1	Decal (215-75-R14 Tires) <b>(T350 SN 0030003163 through 0030012032)</b>	
72	1706691	1	Decal T500J	
73		Ref	Decal - Drop Bar Options:	
73	1706495	1	CSA Spec (French Language)	
73	1706496	1	Brazil Spec (Portuguese Language)	
73	1706494		Latin American Spec with Dual Language Decals (Spanish)	
73	Not Required	0	Latin American Spec Spanish Language Decals Only	
73	Not Required	0	South Africa Specs	
74		Ref	Decal - Vehicle Placard <b>(SN 0030003249 through 0030012032)</b>	

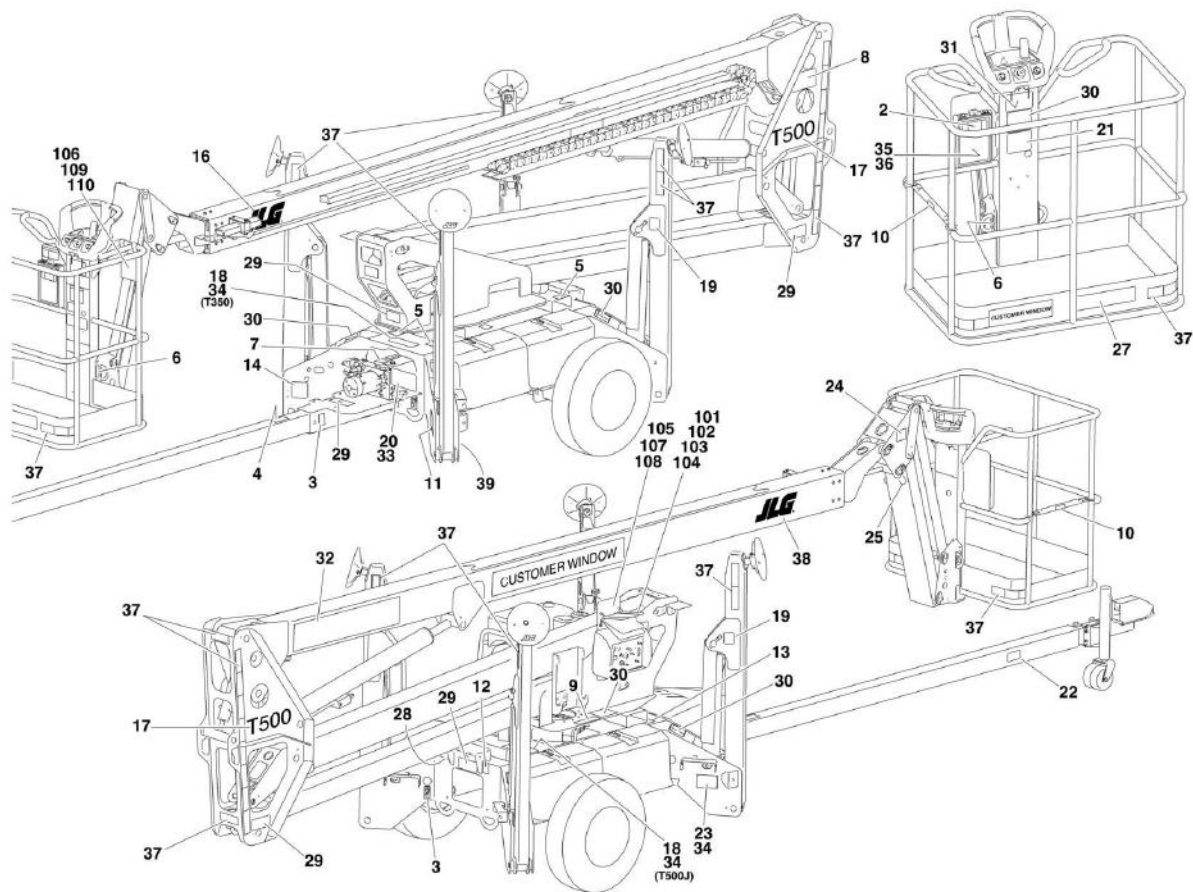
## SECTION 8 - DECALS

ITEM	PART NUMBER	QTY	DESCRIPTION	REV
74	1001112470	1	Decal - Vehicle Placard T350	
74	1001112471	1	Decal - Vehicle Placard T500J	
75		Ref	Decal – Yearly Inspection Options: <b>(SN 0030008559 through 0030012032)</b>	
75	1001224052	1	Brazil Spec (Portuguese Language)	
75	1001223971	1	French and English Languages (CSA Spec)	
75	1001224049	1	Latin American Spec with Dual Language Decals (Spanish)	
75	1001224049	1	Latin American Spec Spanish Language Decals Only	
76	1001228370	1	Decal – ICES -001(CSA Specs) (Not Shown - Located Beside Serial Number Plate) <b>(SN 0030008559 through 0030012032)</b>	
77	1001223453	1	Decal – ICES -002(CSA Specs) (Not Shown - Located Beside Serial Number Plate) <b>(SN 0030008559 through 0030012032)</b>	
		Ref	<b>DECAL TAGS INSTALLATIONS: (SOUTH AFRICA SPEC ONLY)</b>	
	0275582	Ref	<b>Decal Tags Installations T350</b>	A
	0275642	Ref	<b>Decal Tags Installations T500J</b>	A
101	3576892	1	Plate, Cover	
102	1706926	1	Decal - Flash Codes	
103	1706890	1	Decal - Start Tag	
104	1706924	1	Decal - Finish Tag	
105	0641404	2	Bolt 1/4in-20NC x 1/2in	
106	1706897	1	Decal - Start Tag	
107	3311405	2	Locknut 1/4in-20NC	
108		Ref	Plate, Decal Mount Options:	
108	3577000	1	Plate, Decal Mount T350	
108	3576891	1	Plate, Decal Mount T500J	
109	3820038	2	Rivet, Snap	
110	3820039	2	Rivet, Snap	
111	91163087	2	Bracket, Load Chart	



# SECTION 8 - DECALS

## FIGURE 8-4. DECAL INSTALLATION (AUSTRALIAN AND CE SPECS)





## SECTION 8 - DECALS

**FIGURE 8-4. DECAL INSTALLATION (AUSTRALIAN AND CE SPECS)**

ITEM	PART NUMBER	QTY	DESCRIPTION	REV
		Ref	<b>DECAL INSTALLATIONS</b>	
	0273670	Ref	<b>JLG Decals</b>	4
	0273631	Ref	<b>Australian and CE Decals</b>	I
	0273662	Ref	<b>Battery Charger Decals (T350) (Prior to SN 0030001804)</b>	I
	0275709	Ref	<b>Battery Charger Decals (T350) (SN 0030001804 through 0030001896)</b>	B
	0273947	Ref	<b>Battery Charger Decals (T500J) (Prior to SN 0030001804)</b>	K
	0275718	Ref	<b>Battery Charger Decals (T350/T500J) (SN 0030001804 through 0030012032)</b>	E
	1001201419	Ref	<b>Battery Charger Decals (AGM Batteries) (T350/T500J) (SN 0030006791 through 0030012032)</b>	A
	0274326	Ref	<b>Jib Descent Decals (T500J)</b>	E
2	1701640	1	Decal - Manual	
3	1703814	4	Decal - Tie-Down	
4	1706384	1	Decal - Manual Descent Inside	
5	1703817	4	Decal - Forklift	
6	1704277	2	Decal - Lanyard Attach	
7	1704412	1	Decal - Hydraulic Oil	
8	1706120	NLA	Decal - Lift Diagram (Use p/n 1706629)	
9	1706372	1	Decal - Platform Entry Instructions	
10	1706393	1	Decal - Drop Bar	
11	1700584	1	Decal - Patent <b>(Prior to SN 0030004447)</b>	
12	1701644	1	Decal - Battery Charger (Electric Machines Only)	
13	1702155	1	Decal - Battery Disconnect (Electric Machines) <b>(Prior to SN 0030001498)</b>	
14	See Note	NSS	Decal - Barcode (Note: Not Available for Purchase)	
16	1705754	1	Decal - 3 1/2in JLG	
17		Ref	Decal - Model Designation Options:	
17	1706080	2	Decal - Model Designation T350	
17	1706081	2	Decal - Model Designation T500J	
18	See Note	NSS	Nameplate - Serial Number (Note: Not Available for Purchase)	
19		Ref	Decal - Pad Load Options:	
19	1706121	4	Decal - Pad Load T350	
19	1706264	4	Decal - Pad Load T500J	
20	1706139	1	Decal - Manual Descent	
21	1706314	2	Decal - Capacity (Platform Location)	
22		Ref	Decal - Parking Brake Options:	
22	1706316	NLA	Decal - Parking Brake (Use p/n 1706263) <b>(Prior to SN 0030003456)</b>	
22	1706263	1	Decal - Parking Brake <b>(SN 0030003456 through 0030012032)</b>	
23	See Note	NSS	Nameplate - VIN (Note: Not Available for Purchase)	
24	1706337	1	Decal - Jib Manual Descent (T500J Only)	
25	1706349	1	Decal - Manual Descent Arrows (T500J Only)	
27	1706320	1	Decal - Warning Machine Operation	
28	1705670	1	Decal - Fire Hazard (Electric Machines Only)	
29	1706315	5	Decal - Warning Crushing	
30	1706317	6	Decal - Electrocution	
31	1706497	1	Decal - Warning Crushing	
32	1706440	NLA	Decal - Tow Pro (Use p/n 1702774)	
33	3760170	1	Ring, Split	
34	3820001	6	Rivet	

## SECTION 8 - DECALS

ITEM	PART NUMBER	QTY	DESCRIPTION	REV
35	3820032	4	Rivet	
36	8990147	1	Box, Manual Storage	
36	70003486	2	Clip, Manual Holder	
37	4420051	12 ft/3.7m	Tape, Reflective	
38	1702773	1	Decal - 5in JLG	
39		Ref	Decal - Tire Options (Australian Spec Machines only):	
39	1706690	1	Decal - Tire (205-75-R14 Tires) <b>(T350 Prior to SN 0030003163)</b>	
39	1001112110	1	Decal - Tire (215-75-R14 Tires) <b>(T350 SN 0030003163 through 0030012032)</b>	
39	1706691	1	Decal - Tire T500J	
49	1706260	1	Decal - Fuel (Gas Machines Only) (Not Shown - Located on Fuel Cap)	
50	1705084	1	Decal - Sound Power Level (Gas Machines Only) (Not Shown)	
		Ref	<b>DECAL TAGS INSTALLATIONS: (AUSTRALIAN SPEC ONLY)</b>	
	0275582	Ref	<b>Decal Tags Installations T350</b>	A
	0275642	Ref	<b>Decal Tags Installations T500J</b>	A
101	3576892	1	Plate, Cover	
102	1706926	1	Decal - Flash Codes	
103	1706890	1	Decal - Start Tag	
104	1706924	1	Decal - Finish Tag	
105	0641404	2	Bolt 1/4in-20NC x 1/2in	
106	1706897	1	Decal - Start Tag	
107	3311405	2	Locknut 1/4in-20NC	
108		Ref	Plate, Decal Mount Options:	
108	3577000	1	Plate, Decal Mount T350	
108	3576891	1	Plate, Decal Mount T500J	
109	3820038	2	Rivet, Snap	
110	3820039	2	Rivet, Snap	
111	91163087	2	Bracket, Load Chart	

## **SECTION 9 - RECOMMENDED SERVICE PARTS STOCK**

## **SECTION 9 - RECOMMENDED SERVICE PARTS STOCK**

## SECTION 9 - RECOMMENDED SERVICE PARTS STOCK

FIGURE 9-1. RECOMMENDED SERVICE PARTS STOCK

ITEM	PART NUMBER	QTY	DESCRIPTION	REV
		Ref	<b>Note: The following list will service one machine (built to current production per date on the front cover) with emergency repair parts which can be installed in the field. Parts from the list should be replaced when inventory is depleted to keep service parts stock supplied. For further information, contact your JLG dealer or the JLG Industries Parts Department.</b>	
		Ref	<b>STANDARD PARTS</b>	
	3740145	1	Relay	
	2915194	1	Element, Filter	
	7024883	1	Coil	
	7024885	1	Coil	
	7027628	1	Coil	
	7027638	1	Breather	
	70000026	1	Coil	
	4360328	1	Switch, Toggle	
	4360330	1	Switch, Toggle	
	4360475	1	Switch, Emergency Stop	
	2860030	1 Set	Key, Replacement	
	7027367	1	Switch, Push Button	
	4360562	1	Switch, Emergency Stop	
	2400065	1	Fuse 30 Amp	
	3990010	1	Diode 6 Amp	
	2400057	1	Fuse 15 Amp	
		Ref	<b>VARIABLE PARTS</b>	
	71820	1	Switch, Breakaway (With Electric Brakes)	
	1600392	1	Module, Drive Propulsion (With Drive Option)	
	4000008	1	Sensor, Proximity (With Drive Option)	
	1600370	1	Module, Ground Control	
	1600371	1	Controller Sevcon (Electric Machines without Drive Option)	
	1600412	1	Controller Sevcon (Electric Machines with Drive Option)	
	3740080	1	Relay (Gas Machines)	
	3740112	1	Relay (Gas Machines)	
	3740144	1	Actuator, Solenoid (Gas Machines)	
	3740148	1	Actuator, Solenoid (Gas Machines)	
	70001453	1	Filter Assembly, Air Cleaner (Gas Machines)	
	70003516	1	Coil, Ignition (Gas Machines)	
	70003521	1	Switch, Key (Gas Machines)	
	70003550	1	Key, Replacement (Gas Machines)	
	70003522	2	Fuse (Gas Machines)	
	2400087	2	Fuse (Electric Machines)	
	3740150	1	Relay (Electric Machines)	
	0610170	1	PC Board (Ground Control)	
	4360564	1	Switch, Push Button (Gas Machines)	
	4360565	1	Switch, Push Button (Gas Machines)	
	4360469	1	Keyswitch (ANSI and ANSI Export Specs)	
	4360470	1	Keyswitch (CE and Australian Specs)	
	1600369	1	PC Board (Platform)	
	1600452	1	Controller without Drive Function	
	1600453	1	Controller with Drive Function	

# SECTION 9 - RECOMMENDED SERVICE PARTS STOCK

ITEM	PART NUMBER	QTY	DESCRIPTION	REV
	7027369	1	Switch, Push Button (With Drive Function)	
	4360612	1	Switch, Rotary (Without Drive Option)	
	4360620	1	Switch, Rotary (With Drive Option)	
	4360577	1	Switch, Limit	



**SECTION 10 - SPECIAL OPTIONS**

# SECTION 10 - SPECIAL OPTIONS

## FIGURE 10-1. SPECIAL OPTIONS

ITEM	PART NUMBER	QTY	DESCRIPTION	REV
		Ref	<b>Note: This list is to accommodate machines ordered with special equipment. Options may not be applicable to all models. For more specific parts information contact JLG Parts Department</b>	
		Ref	<b>MISCELLANEOUS SPECIAL OPTIONS</b>	
		Ref	ClearSky Telematics (Factory Installed)	
	1001229107	Ref	3-Wire Connection (ANSI and CSA Specs) <b>(SN 0030008590 through 0030012032)</b>	
	1001233237	Ref	3-Wire Connection (CE Specs) <b>(SN 0030009445 through 0030012032)</b>	
		Ref	<b>Electrical Connector Kits</b>	
	1001148902	Ref	Amp/Tyco Electrical Connector Kit	
	1001148903	Ref	Deutsch DT Electrical Connector Kit	
	1001148904	Ref	Deutsch HD Electrical Connector Kit	
	1001148905	Ref	Packard Electrical Connector Kit	
	1001148906	Ref	Various Electrical Connectors Kit	
		Ref	<b>Decal Installations Options:</b>	
	1001212213	Ref	Compact Power T350 <b>(Prior to SN 0030009445)</b>	
	1001212214	Ref	Compact Power T500J <b>(Prior to SN 0030009445)</b>	
	1001229709	Ref	Decal - ClearSky (ANSI, ANSI Export, CSA and South Africa Specs)	
		Ref	<b>Decal Kits</b>	
	2902430	Ref	Decal Kit - Country Specs (English Language) (ANSI Specs)	
	2902411	Ref	Decal Kit - Country Spec (English Language) (Australian & CE Specs)	
	2902546	Ref	Decal Kit - Country Spec (English Language) (South African Specs)	
	2902442	Ref	Decal Kit - Country Spec (French Language) (CSA Specs)	
	2902447	Ref	Decal Kit - Country Spec (Portuguese Language) (Brazil Specs)	
	2902425	Ref	Decal Kit - Country Spec (Spanish Language)	
	2902454	Ref	Decal Kit - Country Spec (Spanish/English Dual Language) (Latin American Specs)	
	2902428	Ref	Decal Kit - Master	
		Ref	<b>Filter Kits:</b>	
		Ref	Combined Filter Kit (Hydraulic/Air and Fuel)	
	1001091767	1	Electric Engines	
	1001091766	1	Honda Engines	
	0274378	Ref	<b>Home Depot Spec Installation</b>	
	3128958	Ref	<b>Inspection Packet</b>	
	0274748	Ref	<b>Lifting Lugs Installation</b>	
	0274480	Ref	<b>Panel Tray Installation</b>	
		Ref	Customer Please Note: Make note of key # upon receipt of new locks. New keys can only be ordered if the customer has the actual key # printed on the key. Otherwise, the entire lock needs ordered. The only way to remove the locks without a key is have them serviced by a locksmith.	
	2902375	Ref	<b>Security Kit</b>	
	2940169	1	Lock, Hitch Ball	
	2940170	1	Lock, Wheel Bolt	
	1001213280	Ref	<b>Security Kit (Compact Power/Home Depot)</b>	
	1001213281	1	Latch, Trailer Coupler Lock	



## SECTION 10 - SPECIAL OPTIONS

ITEM	PART NUMBER	QTY	DESCRIPTION	REV
	1001213282	1	Latch , Trailer Wheel Lock	
	0274573	Ref	<b>Theft Recovery System (ANSI and CSA Specs Only)</b>	
	0240121	1	Transmitter (Use p/n 1001101195) <b>(Prior to SN 0030003105)</b>	
	1001101195	1	Transmitter <b>(SN 0030003105 through 0030012032)</b>	
	1001137282	Ref	<b>Theft Recovery System Mounting Bracket Kit (Use p/n 1001157081)</b>	
		Ref	<b>Tools for Service</b>	
	2901443	1	Analyzer Kit	
	8896941	1	Wire Stripper	
	7002821	1	Wire Crimper (To install wire ends to wires)	
	7002823	1	Pin/Socket Extractor - Universal (To Remove Pins/Sockets from Connectors)	
	4460467	1	Extractor - 16-18 Gauge (For Removal of Pin/Sockets from Deutsch Connectors)	
	4460510	1	Extractor - 12-14 Gauge (For Removal of Pin/Sockets from Deutsch Connectors)	
	7002822	1	Screwdriver, Potentiometer (To Adjust Drive Controllers)	
	7016654	1	Screwdriver, Magnetic	
	7004275	1	Seal Installation Tool - 1in	
	7004276	1	Seal Installation Tool - 1-1/2in	
	7002826	1	Seal Installation Tool - 2in	
	2915205	1	Service Kit, Contactor	
	2915230	1	Delta-Q Charger Reprogram Controller Kit	
	4923341	1	Harness, Outrigger Manual Retract Service	
	1001137005	1	USB to RS232 Drive Installation (Service Kit)	
	31201317	Ref	<b>Video</b>	



**PART NUMBER INDEX**

## SECTION 10 - SPECIAL OPTIONS

0060080.....	169	0273670 ...	241, 245, 249, 257	0274480 .....	264	0280159.....	17, 47
0060081.....	169, 173	0273676 .....	169	0274482 .....	249	0280186.....	31, 57
0080265.....	16, 20	0273678 .....	165	0274485 .....	13	0280187.....	31, 57
0080266.....	29	0273679 .....	105	0274486 .....	11, 13	0400164.....	95
0080282.....	25	0273680 .....	119	0274520 .....	105	0400201.....	86
0080286.....	25	0273689 .....	16	0274522 .....	245	0400215.....	91, 93
0080291.....	16	0273700 .....	16	0274538 .....	101	0400236.....	97
0100011.....	30, 62, 64, 73, 74, 85, 91, 93, 95, 116, 119, 153, 157, 161	0273712 .....	74, 115	0274539 .....	101	0440285.....	123, 127
0100019.....	123	0273715 .....	74, 115	0274573 .....	265	0440286.....	123, 127
0100020.....	148, 156, 157	0273763 .....	85	0274638 .....	101	0440319.....	169
0100035.....	134	0273793 .....	73, 213	0274679 .....	62	0440321.....	65
0100048.....	91, 93	0273794 .....	73, 233	0274731 .....	97	0610170.....	133, 260
0100051.....	91, 93	0273864 .....	156, 157	0274739 .....	101	0630183.....	123
0100081.....	73, 148, 157	0273865 .....	148	0274740 .....	101	0630468.....	93
0100083.....	74, 214, 224, 234	0273934 .....	99	0274741 .....	101	0630541.....	93
0140011.....	133, 175	0273939 .....	86	0274748 .....	264	0630588.....	62
0140043.....	137	0273941 .....	176	0274754 .....	62	0630598.....	105
0240116.....	105, 106	0273946 .....	109	0274766 .....	25	0630607.....	105
0240121.....	265	0273947 .....	91, 241, 245, 249, 257	0274767 .....	15	0630613.....	62
0273604.....	148	0273960 .....	134	0274773 .....	119	0641404.....	247, 254, 258
0273605.....	156	0273961 .....	134	0274803 .....	62, 64	0641406.....	19, 25, 62, 85, 95, 97, 101, 169
0273606.....	113	0273962 .....	134	0274806 .....	62, 64	0641407.....	85, 93, 101, 143
0273607.....	113	0273978 .....	175	0274819 .....	250, 251	0641408.....	62
0273608.....	21, 26	0274026 .....	176	0274828 .....	250, 251	0641408.....	62
0273609.....	21, 26	0274028 .....	176	0274830 .....	250, 251	0641410.....	62, 85
0273610.....	17, 21, 26	0274030 .....	176	0274831 .....	250, 251	0641412.....	15, 19, 25, 29, 62, 91
0273611.....	17, 21, 26	0274032 .....	175	0274832 .....	250, 251	0641414.....	109, 110
0273612.....	123	0274033 .....	175	0274833 .....	250, 251	0641416.....	25, 35, 37, 39, 85, 91
0273613.....	123	0274048 .....	105	0274942 .....	249	0641418.....	62
0273614.....	175	0274111 .....	134	0275008 .....	156, 157	0641420.....	62
0273615.....	134	0274112 .....	134	0275009 ...	156, 245, 249	0641422.....	15
0273616.....	73	0274113 .....	134	0275030 .....	137	0641424.....	149
0273617.....	73	0274114 .....	134	0275048 .....	137	0641430.....	15, 20, 25
0273618.....	73	0274115 .....	134	0275049 .....	137	0641433.....	15, 20, 20
0273619.....	73	0274253 .....	241	0275203 .....	62	0641440.....	15, 20
0273624.....	106	0274290 .....	137	0275210 .....	17, 21, 26	0641505.....	35, 37, 39
0273625.....	109	0274293 .....	117	0275211 ...	17, 21, 22, 26	0641506.....	62, 106, 173
0273627.....	45	0274305 .....	13	0275379 .....	29	0641508.....	106
0273628.....	241	0274306 .....	11	0275380 .....	62	0641510.....	195
0273629.....	241	0274307 .....	13	0275391 .....	62, 64	0641514... 16, 20, 25, 157	
0273631.....	257	0274308 .....	11	0275413 .....	175	0641516.....	74
0273640.....	249	0274321 .....	74, 115	0275414 .....	175	0641526.....	62
0273641.....	249	0274325 .....	148	0275416 .....	175	0641536.....	62
0273644.....	249	0274326 ...	156, 241, 245, 249, 257	0275417 .....	175	0641538.....	30, 62
0273647.....	19	0274327 .....	148	0275439 .....	91, 93, 226	0641540.....	62
0273648.....	15	0274328 .....	156, 157	0275442 .....	91, 216	0641606.....	165, 169
0273649.....	19	0274329 .....	105	0275536 .....	91, 216	0641607.....	62, 65, 148, 153, 156, 157, 161
0273651.....	29	0274330 .....	105	0275582 ...	246, 254, 258	0641608..	29, 62, 85, 101, 123, 169
0273652.....	30	0274336 .....	86	0275626 .....	15	0641609.....	148
0273653.....	19	0274338 .....	113	0275627 .....	105	0641610.....	86, 137, 148, 156, 157
0273654.....	15	0274339 .....	113	0275628 .....	105	0641612.....	117, 148, 156, 169
0273655.....	19	0274340 .....	95	0275629 .....	25	0641614.....	85
0273656.....	30	0274351 .....	31	0275632 .....	105	0641616.....	109, 149, 157
0273657.....	29	0274352 .....	31	0275633 .....	105	0641617.....	105
0273658.....	29	0274375 .....	74, 115	0275642 ...	246, 254, 258	0641618.....	159
0273662.....	91, 241, 245, 249, 257	0274378 .....	264	0275709 .....	93, 245, 249, 257	0641620.....	148, 157
0273663.....	217, 227, 237	0274378 .....	264	0275718 .....	93, 245, 249, 257	0641622.....	169
0273664.....	217, 228, 237	0274380 .....	97	0275776 .....	73, 223	0641628.....	153, 161
0273665.....	99	0274384 .....	119	0275836 .....	249	0641630.....	11, 13
0273666.....	101	0274395 .....	45	0275907 .....	19	0641632.....	11, 13
0273669.....	137	0274430 .....	101	0275908 .....	19		
		0274433 .....	109	0277886 .....	57		
		0274434 .....	109	0280154 .....	21, 26, 52		
		0274452 .....	13	0280155 .....	21, 26, 52		
		0274453 .....	11	0280158 .....	17, 47		

## SECTION 10 - SPECIAL OPTIONS

0641634 .....	63, 161	0840041 .....	235, 236	1001114585 .....	159	1001228195 .....	82
0641638 .....	11, 13	0840046 .....	235	1001114586 .....	161	1001228370 .....	246, 254
0641640 .....	45, 64	0840047 .....	235	1001114587 .....	161	1001229107 .....	264
0641646 .....	45	0860038 .....	217, 228, 237	1001114588 .....	161	1001229558 .....	158
0641660 .....	86	0861647 .....	133	1001114589 .....	161	1001229709 .....	264
0641668 .....	30	0861648 .....	133	1001114667 .....	161	1001229944 .....	156
0641808 .....	127	0861649 .....	133	1001114670 .....	162	1001229945 .....	156
0641810 .....	127	0861655 .....	175	1001114739 .....	158	1001233237 .....	264
0641811 .....	157	0861661 .....	133	1001114740 .....	159	1001236338 .....	246
0641812 .....	64, 157, 169	0861662 .....	133	1001114755 .....	162	1001243180 .....	19
0641826 .....	13	0861663 .....	133	1001114756 .....	162	1001243181 .....	19
0641830 .....	153, 161	0861671 .....	133	1001115151 .....	159	1001243182 .....	19, 39
0641832 .....	15, 20	0861672 .....	133	1001115241 .....	247	1060329 .....	148, 156
0641836 .....	16, 20	0861673 .....	133	1001116350 .....	19, 37	1060380 .....	21
0641838 .....	16, 20	0861674 .....	133	1001116733 .....	235	1060584 .....	64
0642012 .....	17, 21, 26, 31	0861731 .....	143	1001116734 .....	235	1060688 .....	97, 139, 226
0642034 .....	20	0902659 .....	86	1001120260 .....	139, 143	1060689 .....	97, 226
0642230 .....	64	0903075 .....	165	1001120261 .....	139	1060697 .....	165, 169
0642240 .....	15, 19, 25, 29	0903087 .....	137	1001120264 .....	139, 143	1060799 .....	21, 148, 156, 165, 169
0642244 .....	19, 29	0903107 .....	99	1001127719 .....	85, 86	1060908 .....	143
0642246 .....	15	0903108 .....	16, 20, 25	1001128929 .....	86, 235	1180391 .....	153
0651810 .....	105	0903111 .....	109	1001130309 .....	143	1180393 .....	161
0651812 .....	105	0903112 .....	109	1001131269 .....	245, 249	1180394 .....	153
0681506 .....	45	0903177 .....	101	1001131326 .....	143	1180395 .....	161
0681622 .....	119	0903199 .....	169	1001131393 .....	97	1180398 .....	161
0681624 .....	119	0903215 .....	29	1001131595 .....	143	1271584 .....	158
0681660 .....	119	0903216 .....	30	1001131740 .....	143	1271585 .....	158
0681812 .....	127	0903284 .....	62	1001133506 .....	97	1271633 .....	158
0681816 .....	123	0903298 .....	62	1001136471 .....	86	1320060 .....	16, 20, 25
0700408 .....	101	0903299 .....	62	1001137005 .....	265	1320061 .....	16, 20, 25, 29
0700410 .....	101	0903311 .....	64	1001137282 .....	265	1320159 .....	74
0700412 .....	137	0903356 .....	64	1001148902 .....	264	1320263 .....	73
0700510 .....	73	0903560 .....	91, 93	1001148903 .....	264	1320289 .....	149
0700610 .....	73, 137, 165	0903597 .....	86	1001148904 .....	264	1320294 .....	158
0700812 .....	73	0940136 .....	101	1001148905 .....	264	1320302 .....	105
0700827 .....	74	0941516 .....	173	1001148906 .....	264	1321130 .....	85
0701014 .....	115, 116, 137, 249	0961947 .....	153, 185, 187	1001153011 .....	123, 127	1321137 .....	158
0701216 .....	116	0961948 .....	158, 161, 189, 193	1001153014 .....	123, 127	1321318 .....	149
0711225 .....	29	0961951 .....	149, 153, 158	1001153360 .....	123	1321676 .....	25
0711227 .....	25, 29	0962257 .....	158, 183, 189, 191	1001153363 .....	123	1380136 .....	73
0711228 .....	29	0962272 .....	116	1001155254 .....	30, 226, 236	1560010 .....	169
0711229 .....	25	0962292 .....	161, 193	1001160525 .....	123	1560016 .....	16, 20, 25, 29
0711234 .....	15	0962356 .....	116	1001161223 .....	29	1560017 .....	16, 20, 25
0711631 .....	29	0962447 .....	123	1001186711 .....	30	1600369 .....	175, 260
0721004 .....	93, 105, 106, 143	1001091364 .....	169	1001192401 .....	224, 234	1600370 .....	73, 260
0721005 .....	21	1001091500 .....	169	1001193948 .....	62, 63, 179	1600371 .....	73, 260
0721006 .....	64, 99, 101	1001091766 .....	264	100120141993 .....	245, 249, 257	1600381 .....	175
0760608 .....	74	1001091767 .....	264	1001212213 .....	264	1600390 .....	175
0760810 .....	73	1001092012 .....	150, 159	1001212214 .....	264	1600392 .....	62, 260
0761012 .....	99, 134	1001094614 .....	117	1001213280 .....	264	1600412 .....	73, 74, 260
0801423 .....	157, 161	1001101195 .....	265	1001213281 .....	264	1600452 .....	175, 260
0801424 .....	161	1001104509 .....	93	1001213282 .....	265	1600453 .....	175, 260
0801425 .....	161	1001109586 .....	17, 22, 26	1001214168 .....	29, 43	1600466 .....	97
0801426 .....	148, 153	1001110688 .....	199, 201	1001214169 .....	30	1660265 .....	19, 33
0801427 .....	153	1001110873 .....	218, 228, 237	1001214179 .....	169	1660273 .....	15
0801428 .....	153	1001112110 .....	253, 258	1001214673 .....	246, 253	1660278 .....	19
0801429 .....	149	1001112112 .....	93	1001223055 .....	246	1660279 .....	19, 35
0801430 .....	149	1001112470 .....	246, 254	1001223453 .....	246, 254	1660282 .....	29, 41
0801450 .....	157	1001112471 .....	246, 254	1001223971 .....	254	1660283 .....	29, 41
0801451 .....	158	1001114580 .....	156, 247	1001224049 .....	254	1660297 .....	15
0801516 .....	149	1001114581 .....	156, 157	1001224052 .....	254	1660298 .....	25
0811606 .....	117, 153	1001114582 .....	157, 161	1001224893 .....	161	1660307 .....	19, 37
0811607 .....	119, 153, 161	1001114583 .....	159	1001227795 .....	29	1671147 .....	113
0811608 .....	153, 161	1001114584 .....	159	1001228138 .....	101	1671148 .....	113
0811610 .....	119			1001228139 .....	101	1671160 .....	113
				1001228194 .....	82	1671171 .....	117

## SECTION 10 - SPECIAL OPTIONS

1671172.....	116	1706108 ....	241, 246, 251	1706521 .....	252	2151612.....	199, 201
1671185.....	117	1706109 ....	241, 246, 251	1706522 .....	252	2170206.....	78, 82
1671187.....	113	1706111 ....	242, 246, 250	1706523 .....	252	2170306.....	206
1671189.....	113	1706112 ....	241, 246, 250	1706524 .....	252	2170706.....	206
1671207.....	143	1706120 ...	241, 245, 249, 257	1706527 .....	252	2220003.....	148, 157
1671211.....	113	1706121 ...	115, 241, 245, 250, 257	1706528 .....	252	2220237.....	206
1684367.....	153, 195	1706127 ...	241, 245, 250, 251	1706529 .....	252	2220364.....	150, 158
1684373.....	153, 185	1706128 ...	165, 241, 246, 250	1706530 .....	252	2220881.....	183, 185
1684397.....	161, 187	1706133 ...	241, 245, 250, 251	1706531 .....	252	2220883.....	189, 195
1684398.....	158, 191	1706135 ....	242, 246, 251	1706532 .....	252	2220885.....	74
1684402.....	161, 195	1706139 ...	241, 245, 251, 257	1706533 .....	252	2221086.....	78, 82, 206
1684415.....	149, 191	1706260 ....	86, 242, 246, 253, 258	1706534 .....	252	2221209.....	148, 156
1684429.....	116, 193	1706261 .....	148, 156	1706536 .....	250	2221210.....	150, 158
1684431.....	116, 193	1706262 .....	148, 156	1706565 .....	253	2221211.....	150, 158
1684432.....	158, 183	1706263 ...	241, 246, 250, 257	1706569 .....	253	2221212.....	148, 156
1684433.....	149, 189	1706264 ...	115, 241, 245, 250, 257	1706625 .....	148, 157	2221213.....	148, 156
1684434.....	158, 189	1706313 .....	165	1706626 .....	148, 157	2221272.....	25
1684442.....	116, 193	1706314 .....	257	1706629 .....	245	2221273.....	25
1684443.....	116, 193	1706315 .....	257	1706657 .....	253	2300006.....	20, 25
1684466.....	62, 179	1706316 .....	250, 257	1706658 .....	253	2360716.....	75
1684467.....	63, 181	1706317 .....	257	1706664 .....	253	2360717.....	75
1684468.....	63, 181	1706320 .....	257	1706665 .....	253	2360718.....	75
1684494.....	158, 183	1706337 ...	156, 241, 246, 251, 257	1706690 .....	253, 258	2360773.....	75
1684507.....	62, 63, 179	1706349 ...	156, 157, 241, 246, 251, 257	1706691 .....	253, 258	2400057.....	235, 260
1684524.....	25	1706351 .....	253	1706701 .....	63	2400060.....	224, 234, 235
1700584....	241, 245, 249, 257	1706372 ...	242, 245, 249, 257	1706705 .....	31	2400065.....	213, 223, 233, 260
1701640....	241, 245, 249, 257	1706384 ....	245, 249, 257	1706706 .....	31	2400066.....	213, 223, 233
1701644 91,	93, 242, 245, 249, 257	1706385 ....	242, 245, 249	1706890 ....	246, 254, 258	2400087 91,	93, 216, 226, 260
1702155 91,	93, 242, 245, 249, 257	1706386 ...	242, 246, 251	1706897 ....	247, 254, 258	2400088 91,	93, 216, 226
1702300.....	242	1706387 ...	242, 246, 251	1706898 .....	175	2420172.....	133
1702773....	241, 246, 253, 258	1706393 .....	257	1706922 .....	246	2560122.....	73
1702901.....	242	1706427 .....	250, 252	1706924 ....	246, 254, 258	2560123.....	73
1702961.....	242, 245	1706428 .....	250	1706926 ...	246, 254, 258	2560184.....	169
1703813....	241, 246, 251	1706429 .....	250	1706961 .....	250	2700104.....	165
1703814....	245, 249, 257	1706430 ....	250, 252, 253	19611 .....	37, 39	2700108.....	165
1703817....	242, 245, 249, 257	1706431 ...	250, 252, 253	19613 .....	35, 37, 39	2753540.....	201
1703832.....	253	1706432 .....	250, 252	19615 .....	35	2753541.....	201
1703840.....	251, 253	1706433 .....	251, 252	19616 .....	35, 37, 39	2753545.....	199, 206
1703864.....	253	1706434 .....	251, 252	2000230 .....	85, 86	2753550.....	199, 201
1704260.....	175	1706435 .....	251, 252	2080063 .....	169	2753555.....	199
1704277....	241, 245, 249, 257	1706436 .....	251, 252	2090043 .....	109, 110	2753563.....	199
1704412....	242, 245, 249, 257	1706437 .....	251, 252	2090050 .....	109	2753566.....	199
1704885....	242, 245, 253	1706440 ...	241, 242, 246, 251, 257	2090051 .....	109	2753622.....	201, 206
1705084.....	258	1706475 .....	246, 250	2090052 .....	109	2753625.....	206
1705304.....	246, 249	1706494 .....	249, 253	2090053 .....	109	2753626.....	199, 201
1705670.....	257	1706495 .....	253	2090054 .....	109	2753673.....	206
1705754....	241, 245, 249, 257	1706496 .....	253	2090055 .....	110	2753727.....	201
1705817....	241, 246, 253	1706497 .....	257	2090056 .....	109	2753730.....	206
1705950.....	175	1706513 .....	251	2090057 .....	109	2753731.....	206
1705971.....	133	1706516 .....	252	2090058 .....	109	2753784.....	201
1706002.....	175	1706517 .....	252	2090059 .....	109	2753785.....	201
1706080....	241, 245, 249, 257	1706518 .....	252	2110404 78,	82, 199, 201, 206	2753851.....	199
1706081....	241, 245, 249, 257	1706519 .....	252	2110406 .....	74, 206	2754171.....	149
1706099....	242, 246, 250	1706520 .....	252	2110410 ....	199, 201, 206	2754172.....	149
1706106....	241, 245, 249			2110604 .....	78, 82, 201	2754173.....	158
1706107....	241, 245, 249			2110606 .	74, 78, 82, 199, 201, 206	2754174.....	158
				2110608 .....	206	2754204.....	199
				2110806 .....	82	2754205.....	199
				2111610 .....	82	2754206.....	199
				2130404 78,	82, 199, 201	2754207.....	202
				2130604 .....	199	2754208.....	202
				2130606 78,	82, 199, 206	2754209.....	199
				2130608 .....	206	2754210.....	201
				2130610 .....	199, 201	2754211.....	199
				2150404 .....	199	2754212.....	202
						2754213.....	199

## SECTION 10 - SPECIAL OPTIONS

2754214 .....	202	2940169 .....	264	3340881 .....	153, 161	3575796 .....	176
2754263 .....	201	2940170 .....	264	3340941 .....	149, 158	3575803 .....	148
2754264 .....	202	2940177 .....	106	3340942 .....	158	3575804 .....	157
2754265 .....	201, 206	2940178 .....	113	3340943 .....	149, 158	3575853 .....	29, 63
2754339 .....	199, 201	2980123 .....	45	3371910 .....	25	3575869 .....	30
2754469 .....	201	2980130 .....	25	3380624 .....	63	3575884 .....	74
2754470 .....	201	3010127 .....	149	3420592 .....	21	3575887 .....	159
2754471 .....	201	3010130 .....	158	3421565 .....	64	3575889 .....	162
2754472 .....	201	3020015 .....	85, 139, 143	3421970 .....	117	3576092 .....	63
2754643 .....	206	3020027 .....	124	3421986 .....	115	3576102 .....	253
2754644 .....	206	31201317 .....	265	3422333 .....	149	3576114 .....	253
2754645 .....	206	3128958 .....	264	3422351 .....	63	3576136 .....	63
2754676 .....	206	3160182 .....	123, 129	3422426 .....	115	3576437 .....	105
2792640 .....	199, 208	3160319 .....	65, 71	3422429 .....	116	3576773 .....	91, 93
2792641 .....	201, 208	3160327 .....	65, 71	3422574 .....	159	3576777 .....	91
2792642 .....	208	3160331 .....	123, 131	3422709 .....	65	3576891 ...	247, 254, 258
2792664 .....	199, 208	3251243 ...	217, 228, 237, 241, 246, 251	3422745 .....	161	3576892 ...	246, 254, 258
2792665 .....	199, 208	3251813 ...	241, 246, 253	3422786 .....	158	3577000 ...	247, 254, 258
2792668 .....	201, 208	3252507 ...	217, 228, 237, 241, 246, 251	3422790 .....	157	3600403 .....	85
2792669 .....	201, 208	3252761 .....	143	3422792 .....	149	3641585 .....	169
2792672 .....	201, 208	3271505 .....	45	3422796 .....	158	3700012 .....	102
2792673 .....	201, 208	3271805 .....	169	3422799 .....	148, 158	3700014 .....	101, 119
2792674 .....	206, 208	3290405 ...	102, 115, 137, 149, 158	3423100 ...	148, 157, 165, 169	3730119 ...	213, 223, 232
2792675 .....	206, 208	3290507 .....	74	3423101 .....	153	3740080 .....	85, 260
2792676 .....	206, 208	3290605 ...	73, 74, 137, 165	3423102 .....	149	3740112 .....	86, 260
2792677 .....	206, 208	3290801 .....	29	3423103 .....	149	3740144 .....	85, 260
2792743 .....	206, 208	3290805 .....	73, 74	3423104 .....	153	3740145 .....	74, 260
2792744 .....	206, 208	3291001 .....	29, 63, 64	3423105 .....	153, 161	3740148 .....	86, 260
2820026 ...	212, 222, 232	3291005 .....	99, 137, 253	3423106 .....	169	3740150 .....	91, 93, 260
2820031 ...	212, 222, 232	3291007 .....	63, 116	3423146 .....	116	3760115 ...	115, 153, 162
2820179 .....	85	3291207 .....	116	3423147 .....	115	3760133 .....	115, 159
2820247 .....	91	3291605 .....	29	3423148 .....	115	376017021 ..	64, 165, 169, 241, 246, 253, 257
2840026 .....	11, 13	3292405 .....	116	3423156 .....	158	3760237 .....	115
2860030 .....	134, 260	3300407 .....	105	3423159 .....	113	3760351 .....	153, 162
2900708 .....	63	3300506 .....	91, 93	3423161 .....	161	3820001 ...	241, 246, 253, 257
2900770 ...	183, 185, 187, 189, 195	3311005 ...	21, 64, 93, 99, 101, 102, 106, 119, 143	3423185 .....	115	3820017 ...	20, 25, 73, 113
2901443 .....	265	3311401 .....	35, 37, 39	3423200 .....	149	3820020 .....	113, 133
2902333 .....	85	3311402 .....	91	3423201 .....	148, 158	3820021 .....	253
2902349 .....	19, 25	3311405 ...	15, 19, 25, 29, 63, 73, 85, 93, 97, 101, 106, 109, 110, 143, 149, 247, 254, 258	3423202 .....	159	3820032 ...	241, 246, 253, 258
2902375 .....	264	3311501 .....	63	3423203 .....	157	3820038 ...	247, 254, 258
2902411 .....	264	3311505 ...	15, 19, 25, 30, 63, 74, 106, 139, 143, 158, 195	3423204 .....	159	3820039 ...	247, 254, 258
2902425 .....	264	3311605 ...	11, 13, 29, 30, 45, 63, 85, 86, 101, 105, 109, 117, 137, 148, 149, 153, 157, 158, 161, 165, 169	3423249 .....	64	384114363 ..	65, 115, 116, 148, 149, 153, 157, 159, 162
2902428 .....	264	3312005 ...	17, 21, 26, 31	3430506 .....	16	3841203 .....	116, 159
2902430 .....	264	3312205 ...	15, 20, 25, 29, 64	3450202 .....	85	3841655 .....	116
2902442 .....	264	3321401 .....	85	3450302 .....	16	3841692 .....	169
2902447 .....	264	3321801 .....	105	3450304 ...	16, 20, 25, 63	3841696 .....	30
2902454 .....	264	3331205 .....	29	3460557 .....	25	3841697 .....	30
2902546 .....	264	3331211 .....	16, 25	3510859 .....	169	3841730 .....	64
2915194 ..	67, 78, 81, 260	3340764 .....	153, 161	3520028 .....	133	3841740 .....	64
2915205 .....	265	3340843 .....	148, 157	3520030 .....	133	3890041 .....	20, 25, 45
2915230 .....	265			3520071 .....	64	3890042 .....	20, 25, 45
2920113 .....	99			3538758 .....	153, 161	3890043 .....	15, 45
2920161 ...	137, 217, 227, 237			3575021 .....	149, 159	3890044 .....	15, 45
2920179 .....	99			3575058 .....	169	3890045 .....	45
2920180 .....	101			3575070 .....	85	3890046 .....	45
2920181 .....	102			3575304 .....	175	3890047 .....	45
2920182 .....	101			3575358 .....	133	3890048 .....	45
2920183 .....	102			3575420 .....	45	3890049 .....	45
2920184 .....	102			3575623 .....	133	3890050 .....	45
2920189 .....	101			3575719 .....	45	3890051 .....	85
2940095 .....	113			3575757 .....	11, 13	3890065 .....	85
2940157 .....	113			3575775 .....	86	3900184 .....	85
2940158 .....	113			3575783 .....	45		
2940159 .....	45			3575786 .....	30, 119		
2940160 .....	176			3575790 .....	117		

## SECTION 10 - SPECIAL OPTIONS

3900270.....	119	4220297.....	64	4460346 ...	143, 218, 228, 237	4460908.....	217, 227, 237
3900283.....	153, 162	4220304.....	64	4460374.....	235	4460909.....	217, 227, 237
3900316.....	153, 161	4220305.....	64	4460386.....	133	4460917.....	217, 227, 236
3900321.....	116	4220306.....	91, 93	4460418 ...	213, 223, 233	4460918.....	217, 227, 237
3900352.....	133	4240003 ...	148, 157, 165	4460419 ...	213, 223, 233	4460928.....	217, 227, 237
3900357.....	176	4240032 ...	16, 20, 25, 30	4460420.....	235	4460930.....	216, 226, 235, 236
3900358.....	133, 175	4240033 ...	16, 20, 26, 139, 143	4460424.....	95, 215, 226	4460931.....	216, 226, 234, 236
3900359.....	175	4240127.....	64	4460426 ...	133, 213, 223, 233	4460932.....	213, 215, 216, 223, 225, 226, 233, 235, 236
3900360.....	123	4240169.....	91	4460457.....	235	4460933.....	213, 214, 217, 223, 224, 227, 233, 234, 237
3900368.....	123	4240173.....	124	4460458.....	235	4460941.....	212, 217, 222, 227, 232, 237
3911010.....	101, 102, 119	4240174.....	91	4460459.....	235	4460942.....	213, 214, 217, 223, 224, 227, 233, 234, 237
3911040.....	99	4240175.....	134	4460464 ...	212, 213, 214, 215, 216, 217, 218, 222, 223, 224, 225, 226, 227, 228, 232, 233, 234, 235, 236, 237, 238	4460943.....	212, 214, 217, 222, 224, 227, 232, 234, 237
3931416.....	74	4240177.....	93	4460465 ...	212, 213, 214, 216, 217, 222, 223, 224, 226, 227, 232, 233, 234, 235, 236, 237	4460944.....	212, 217, 222, 227, 232, 237
3931816.....	116	4300115.....	63	4460466 ...	214, 224, 234	4460970.....	213, 214, 216, 217, 223, 224, 226, 227, 233, 234, 236, 237
3931840.....	65	4340799.....	169	4460467.....	265	4461015.....	212, 222, 232
3960461.....	99	4340800.....	169	4460470 ...	217, 227, 237	4461016.....	212, 217, 222, 227, 232, 237
3960583.....	175	4340800.....	169	4460471 ...	217, 227, 237	4461017.....	213, 223, 233
3960584.....	175	4340871.....	176	4460496 ...	153, 159, 176, 212, 222, 232	4461018.....	213, 223, 233
3960587.....	133	4340929.....	137	4460497 ...	153, 159, 176, 212, 222, 232	4461019.....	213, 223, 233
3960604.....	175	4340985.....	105	4460508 ...	213, 223, 225, 233	4461020.....	214, 224, 234
3990010.....	213, 223, 233, 235, 260	4340992.....	13	4460509 ...	213, 223, 224, 233	4461023.....	213, 214, 223, 224, 233
3990013.....	217, 227, 237	4341002.....	13	4460510.....	265	4461024.....	212, 222, 232
3990111.....	233	4341009.....	119	4460536 ...	218, 228, 238	4461025.....	212, 222, 232
3990112.....	213, 223	4341010.....	117	4460539 ...	217, 227, 237	4461041.....	213, 223, 233
4000008.....	63, 217, 227, 236, 260	4341040.....	30	4460662.....	143	4461046.....	235
4031512.....	115, 149, 159	4341053.....	106	4460741.....	235	4461047.....	235
4031708.....	74	4341054.....	106	4460761 ...	213, 217, 223, 227, 233, 237	4461048.....	235
4031714.....	74	4341092.....	65	4460841 ...	214, 224, 234	4461049.....	235
4060700.....	218, 228, 237	4341097.....	63	4460870.....	214	4461051.....	224
4060804.....	64	4341113.....	65	4460871 ...	213, 214, 223, 224, 233, 234	4461057.....	212, 222, 232
4060865.....	137	4341116.....	63	4460872 ...	214, 224, 233	4461058.....	212, 222, 232
4060906.....	133	4341148.....	64	4460873 ...	213, 223, 233	4461065.....	165, 217, 227, 237
4070897.....	153, 162	4341149.....	64	4460874 ...	213, 223, 233	4461076.....	217, 227, 236
4070898.....	153, 162	4341150.....	64	4460875 ...	213, 223, 233	4461077.....	217, 227, 237
4071039.....	153, 162	4341151.....	64	4460876 ...	213, 223, 233	4461098.....	216, 226, 236
4071040.....	153, 162	4341181.....	105	4460877 ...	213, 223, 233	4461260.....	225
4071082.....	148, 157	4341267.....	65	4460878 ...	212, 217, 222, 224, 227, 232, 234, 237	4461261.....	224
4071083.....	148, 157	4341400.....	137	4460887 ...	213, 223, 233	4461271.....	213, 223, 233
4071117.....	162	4341424.....	117	4460891 ...	212, 213, 214, 216, 217, 222, 223, 224, 226, 227, 232, 233, 234, 236, 237	4520322.....	17, 22, 27
4071122.....	25	4360328.....	133, 260	4460894 ...	214, 217, 224, 227, 234, 236	4520323.....	17, 22, 26
4100097.....	85	4360330.....	133, 260	4460897 ...	212, 214, 216, 217, 222, 224, 226, 227, 232, 234, 235, 236, 237	4520338.....	63
4130417.....	65	4360469.....	134, 260	4460899 ...	214, 224, 234	4520377.....	31
4191706.....	15	4360470.....	134, 260	4460899 ...	214, 224, 234	4520378.....	31
4191709.....	74	4360475.....	133, 260	4460899 ...	212, 213, 214, 216, 217, 222, 223, 224, 226, 227, 232, 233, 234, 236, 237	4520591.....	64
4210005.....	116	4360562.....	176, 260	4460905.....	74, 214, 224	4520613.....	17, 22, 26
4210006.....	116	4360564 ...	133, 176, 260			4520614.....	17, 22, 27
4210012.....	115	4360565 ...	133, 176, 260			4568985.....	15, 20
4210013.....	115	4360570.....	15			4568986.....	15, 20
4210015.....	116	4360575.....	176			4569096.....	20, 26
4210016.....	115	4360577 ...	212, 213, 214, 222, 223, 224, 232, 233, 234, 261			4569097.....	20
4210018.....	116	4360612.....	176, 261				
4210019.....	115	4360620.....	176, 261				
4210024.....	116	4420038.....	91, 93				
4210025.....	115	4420051.....	258				
4210026.....	116	4460025.....	215				
4210027.....	115, 116	4460035 ...	214, 225, 234				
4220204.....	123	4460071 ...	218, 228, 237				
4220207.....	116	4460121.....	26				
4220210.....	133	4460138 ...	218, 228, 237				
4220211.....	148, 157	4460227 ...	213, 217, 223, 227, 233, 237				
4220254.....	161	4460248 ...	215, 225, 235				
4220255.....	123	4460256 ...	215, 225, 235				
4220259.....	30	4460267.....	95, 215, 226				
4220260.....	30	4460313 ...	215, 225, 235				
4220296.....	64						



## SECTION 10 - SPECIAL OPTIONS

4569182.....	30	4751000 ...	21, 64, 85, 99, 101, 102, 119	4923149.....	99, 215, 225, 235	70000118.....	179
4569188.....	119	4751400 ...	16, 20, 26, 30, 85, 95, 109, 110, 169	4923153.....	86, 235	70000131.....	52
4569192.....	119	4751500 ...	16, 20, 26, 30, 63, 75, 106, 127, 139, 143	4923154.....	86, 235	70000190.....	183
4569194.....	119	4751600 ...	11, 30, 45, 64, 85, 86, 101, 109	4923184.....	159, 212, 222, 232	70000233.....	33
4569195.....	119	4751700 .....	119	4923185.....	149, 212, 222, 232	70000235.....	215, 225
4569197.....	119	4752200 ....	16, 20, 26, 30	4923192.....	149, 212, 222, 232	70000236.....	215, 225
4569199.....	119	4761400 .....	35, 37, 39	4923193.....	159, 212, 222, 232	70000277.....	71
4569220.....	30	4761500 .....	35	4923202.....	214, 225, 234	70000278.....	71
4569390.....	119	4761800 .....	105	4923203.....	16, 214, 225, 234	70000279.....	71
4569392.....	119	4791400 .....	85	4923217.....	159, 213, 223, 233	70000280.....	71
4569398.....	119	4811400 ...	102, 115, 137, 149, 159	4923268.....	26, 30, 216, 226, 236	70000281.....	71
4569400.....	119	4811600 .....	74	4923269.....	30, 216, 226, 236	70000282.....	71
4569405.....	119	4811700 ....	74, 137, 139, 165	4923317.....	26, 216, 226, 236	70000283.....	71
4569407.....	119	4811900 .....	30, 73, 74	4923318.....	16, 216, 226, 236	70000284.....	71
4569438.....	16	4812000 .	30, 63, 99, 115, 116, 134, 137, 253	4923340.....	63, 217, 227, 236	70000285.....	71
4569445.....	16	4812100 .....	26, 30, 116	4923341.....	265	70000286.....	71
4569447.....	26	4812300 .....	30	4923427.....	74, 223	70000287.....	71
4569450.....	26	4812700 .....	116	4923428.....	91, 93, 215, 225	70000288.....	71
4569470.....	16	4891600 .....	119	4923544.....	91, 216	70000378.....	78, 82
4569512.....	15	4891700 .....	63	4923545.....	91, 93, 216, 227	70000682.....	175
4620147.....	124	4891800 .....	16, 153, 162	4923570.....	91, 93, 216, 227	70000864.....	127
4620148.....	124	4891900 .....	123	70000015.....	52	70000894.....	78, 82
4630001.....	149	4892000 ....	17, 21, 26, 31	70000016.....	52	70000895.....	78, 82
4630002.....	153	4922975 .....	74, 213	70000025.....	82	70000944.....	87
4630003.....	159	4923020 ..	91, 93, 215, 225	70000026.....	82, 260	70000979.....	181
4630004.....	162	4923039 ...	212, 222, 232	70000027.....	82	70000980.....	181
4630005.....	159	4923040 ...	149, 212, 222, 232	70000028.....	82	70000981.....	181
4640438.....	189	4923041 ....	74, 214, 224, 234	70000029.....	41	70000982.....	181
4640866.....	63	4923100 ...	149, 212, 222, 232	70000030.....	41, 43	70000983.....	181
4640902.....	183	4923101 ...	159, 212, 222, 232	70000031.....	41, 43	70000984.....	181
4641129.....	67	4923102 ...	159, 212, 222, 232	70000032.....	41	70000985.....	181
4641285.....	195	4923103 .....	74, 214, 234	70000033.....	41	70000986.....	181
4641325.....	78	4923104 ...	149, 213, 223, 233	70000034.....	41, 43	70000987.....	181
4641326.....	78	4923109 .....	74, 214, 224, 234	70000035.....	41, 43	70001003.....	47
4641327.....	82	4923111 ...	159, 213, 223, 233	70000036.....	41	70001005.....	52, 53
4641328.....	82	4923112 ...	149, 213, 223, 233	70000037.....	41	70001006.....	52, 53
4641342.....	73, 78	4923116 ....	176, 212, 222	70000038.....	41	70001007.....	54
4641343.....	73, 78	4923117 .....	176, 232	70000039.....	41	70001008.....	85
4641344.....	73, 82	4923118 ....	133, 213, 223	70000040.....	41	70001047.....	37
4641345.....	73, 82	4923124 ...	165, 217, 227, 237	70000088.....	131	70001048.....	37
4641380.....	74	4923125 .....	134, 233	70000089.....	131	70001453.....	86, 88, 260
4641418.....	63	4923126 .....	176, 232	70000092.....	101	70001658.....	53, 54
4641419.....	63, 67	4923127 ....	176, 212, 222	70000093.....	101, 102	70001659.....	53, 54
4641420.....	63, 69	4923128 ...	137, 217, 227, 237	70000095.....	101	70001964.....	88
4641496.....	26	4923130 .....	74, 233	70000096.....	102	70002204.....	17, 22, 27
4700017.....	153, 162	4923132 .....	86, 235	70000097.....	102	70002205.....	17, 22, 27
4700018.....	153, 162	4923148 .....	99, 215, 225, 235	70000098.....	101	70002227.....	77, 81
4700019.....	153, 162			70000099.....	101	70002228.....	77, 81
4711000.....	93, 106, 133, 143			70000100.....	77, 81	70002229.....	77, 81
4711400 ...	16, 20, 26, 30, 63, 73, 74, 85, 91, 93, 97, 101, 106, 143, 149			70000111.....	179	70002230 ..	77, 78, 81, 82
4711500 ..	16, 63, 106, 159			70000112.....	179	70002233.....	153, 161
4711600 ...	13, 30, 63, 85, 105, 117, 119, 137, 148, 149, 153, 157, 159, 162, 165, 169			70000113.....	179	70002282.....	78
4711800 ...	16, 20, 64, 65, 105, 169			70000114.....	179	70002532.....	161
4712200.....	64			70000115.....	179	70002628.....	37, 39
4740171.....	123			70000116.....	179	70002629.....	37, 39
4740333.....	115			70000117.....	179	70002630.....	37
4740362.....	109, 110					70002631.....	37, 39
4740446.....	115					70002632.....	37, 39
4740571.....	26					70002633.....	37, 39
						70002634.....	37, 39
						70002635.....	37, 39
						70002636.....	37, 39
						70002637.....	37, 39
						70002638.....	37, 39
						70002639.....	37, 39
						70002640.....	37, 39
						70002641.....	37, 39

## SECTION 10 - SPECIAL OPTIONS

70002722.....37	70003507..... 87, 143	70003615 ..... 78, 81	7011596.....95
70002738.....88	70003508 ..... 87	70003756 ..... 47, 52	7011638..... 95, 215, 225
70002769.....139	70003509 ..... 87	70004156 ..... 127	7012518..... 69
70002770..... 87, 139, 143	70003510 ..... 87	70004157 ..... 127	7012540.....183
70002771..... 139, 143	70003511 ..... 87	70004315 ..... 189	7012903.....67
70002772.....139	70003512 ..... 87	70004696 ..... 41	7012953..... 183, 193
70002773.....139	70003514 ..... 87	70004698 ..... 41	7012955.....189
70002774..... 139, 144	70003516 ..... 87, 260	70004700 ..... 41	7012959.....63
70002775.....139	70003517 ..... 87	70004701 ..... 41, 43	7012961.....183
70002776..... 139, 143	70003518 ..... 88	70004703 ..... 43	7012967..... 183, 189
70002777..... 139, 143	70003520 ..... 88	70004705 ..... 41, 43	7012972..... 183, 189
70002778.....139	70003521 ..... 88, 260	70004706 ..... 41	7012975.....183
70002779.....139	70003522 ..... 88, 260	70004707 ..... 41	7012998..... 67, 183
70002780.....140	70003529 ..... 88	70004708 ..... 41, 43	70132.....48
70002781.....139	70003530 ..... 88	70004709 ..... 41, 43	70144.....53
70002782.....139	70003531 ..... 88	70004710 ..... 41, 43	70145.....53
70002783..... 139, 144	70003532 ..... 88	70004711 ..... 41, 43	7016319.....137
70002784.....139	70003549 ..... 86	70004712 ..... 41	7016372.....137
70002785.....139	70003550 ..... 88, 260	70004713 ..... 41, 43	7016417.....129
70002786.....139	70003558 ..... 143	70004714 ..... 41	7016654.....265
70002787.....139	70003559 ..... 143	70005478 ..... 57	7017335.....181
70002788.....139	70003560 ..... 143	70005987 ..... 43	7017402.....69
70002789.....139	70003561 ..... 143	70005988 ..... 43	7017418.....67
70002790.....139	70003562 ..... 143	70005989 ..... 43	7017466.....63
70002791.....139	70003563 ..... 143	70005990 ..... 43	7018505.....95
70002792.....139	70003564 ..... 143	70005991 ..... 43	7018514.....95
70002793.....139	70003565 ..... 143	70005992 ..... 43	7018553.....95
70002794.....139	70003566 ..... 143	70005993 ..... 43	7018554.....95
70002795.....139	70003567 ..... 143	70005994 ..... 43	7018555.....95
70002796.....139	70003568 ..... 143	70005995 ..... 43	7018556..... 95, 215
70002797.....139	70003569 ..... 143	70005996 ..... 43	7018567..... 95, 215, 225
70002798.....139	70003570 ..... 143	70005997 ..... 43	7020175.....133
70002799.....139	70003571 ..... 143	70005998 ..... 43	7020176.....133
70002800.....139	70003572 ..... 143	70006984 ..... 39	7020620.....95
70002801.....139	70003573 ..... 143	70010724 ..... 124	70212..... 15, 19
70002802.....140	70003574 ..... 144	7002821 ..... 265	7021653.....67
70002803.....140	70003575 ..... 144	7002822 ..... 265	7023308.....71
70002804.....140	70003576 ..... 144	7002823 ..... 265	7023311.....71
70002805.....140	70003577 ..... 144	7002826 ..... 265	7023315.....71
70002815.....69	70003578 ..... 144	7004035 ..... 131	7023328.....71
70003038.....58	70003579 ..... 144	7004043 ..... 131	7023329.....71
70003054.....139	70003580 ..... 144	7004044 ..... 131	7023391.....193
70003055.....139	70003581 ..... 144	7004275 ..... 265	7023405.....71
70003056.....139	70003582 ..... 144	7004276 ..... 265	7023406.....71
70003058.....139	70003583 ..... 144	7005804 ..... 129	7023407.....71
70003059.....139	70003584 ..... 144	7005809 ..... 129	7023408.....71
70003486..241, 246, 253, 258	70003585 ..... 144	7005811 ..... 129	7023412.....71
70003487.....87	70003586 ..... 144	7005812 ..... 129	7023519.....87
70003488.....87	70003587 ..... 144	7005821 ..... 129	7024379.....131
70003489.....87	70003588 ..... 144	7005874 ..... 129	7024380.....131
70003490.....88	70003589 ..... 144	7005876 ..... 129	7024381.....131
70003492.....88	70003590 ..... 144	7005877 ..... 129	7024382.....131
70003493.....86	70003591 ..... 144	7005878 ..... 129	7024383.....131
70003494.....86	70003592 ..... 144	7005879 ..... 129	7024384.....131
70003495.....86	70003593 ..... 144	7005880 ..... 129	7024387.....131
70003496.....86	70003594 ..... 144	7005881 ..... 129	7024388.....131
70003497.....88	70003595 ..... 144	7010542 ..... 69	7024390.....131
70003498.....88	70003596 ..... 144	7010543 ..... 69	7024396.....131
70003499.....88	70003597 ..... 144	7010795 ..... 131	7024453.....131
70003500.....88	70003598 ..... 144	7011311 ..... 195	7024500..... 77, 78, 81, 82
70003501.....88	70003599 ..... 144	7011358 .... 185, 187, 195	7024505..... 77, 78, 81, 82
70003502.....88	70003600 ..... 144	7011377 .... 185, 187, 195	7024882.....193
70003503.....88	70003601 ..... 144	7011378 ..... 185, 187	7024883..... 67, 193, 260
70003504.....88	70003602 ..... 144	7011379 ..... 195	7024884..... 183, 189
70003505.....87	70003603 ..... 144	7011380 ..... 183	7024885..... 69, 183, 189, 260
70003506.....87	70003604 ..... 144	7011509 ..... 95	7024886.....189
	70003605 ..... 144	7011528 ..... 95, 215	

## SECTION 10 - SPECIAL OPTIONS

7024887	183	7027342	183, 195	7027603	88	7027687	33
7024888	183	7027343	195	7027604	88	7027689	33
7024893	67	7027344	195	7027605	88	7027690	78, 81
7024894	67	7027345	195	7027606	88	7027691	82
7024898	69	7027346	195	7027617	77	7027692	48, 53
7024899	69	7027347	195	7027618	77	7027693	48, 53
7026042	127	7027348	185	7027619	77	7027694	187, 191
7026043	127	7027349	185	7027620	77, 81	7027695	187
7026313	47, 53	7027350	127	7027621	77, 81	7027696	187, 191
7026340	99	7027351	127	7027622	77, 81	7027697	187
7026341	99	7027352	127	7027623	77, 81	7027698	187, 191
7026342	99	7027353	127	7027624	77, 81	7027699	191
7026343	99	7027354	127	7027625	77, 81	7027700	191
7026352	35	7027355	127	7027626	77, 81	7027701	195
7026353	35, 37, 39	7027356	127	7027627	77, 81	7027702	195
7026354	35	7027357	127	7027628	77, 78, 81, 82, 260	7027703	195
7026355	35, 37, 39	7027358	127	7027629	77, 81	7027704	195
7026356	35	7027360	127	7027630	77, 81	7027705	195
7026357	35	7027361	127	7027631	77, 81	7027706	195
7026358	35, 37, 39	7027363	127	7027632	78	7027707	195
7026359	35, 37, 39	7027364	127	7027633	78	7027708	183
7026360	35, 37, 39	7027367	175, 260	7027635	78, 81	7027709	183
7026361	35	7027368	175	7027636	78, 82	7027710	183
7026362	35	7027369	175, 261	7027638	78, 82, 260	7027711	183
7026367	37, 39	7027370	175	7027639	77, 81	7027712	189
7026370	35, 37, 39	7027371	175	7027640	52, 53	7027713	189
7026372	37, 39	7027372	86, 88	7027641	52, 53	7027714	189
7026373	35	7027373	86	7027642	53	7027715	189
7026374	35	7027374	86	7027643	53	7027716	189
7026384	47, 52	7027375	86	7027644	53	7027717	99
7026385	47, 52	7027376	86	7027645	53	7027718	35
7026390	47, 52	7027377	86	7027646	53	7027727	11, 13
7026391	48	7027378	86	7027647	47, 52	7027742	173
7026392	48	7027379	86	7027648	47, 52	7027743	173
7026393	48	7027380	86	7027649	47, 52	7027744	173
7026394	53	7027381	87	7027650	47, 52	7027745	173
7026395	48, 53	7027382	87	7027651	47, 52	7027746	173
7026396	48, 53	7027383	87	7027652	47, 52	7027747	173
7026399	53	7027384	87	7027653	48, 53	7027748	173
7026623	82	7027385	87	7027654	47, 52	7027749	173
7027315	193	7027386	87	7027655	47, 52	7027750	173
7027316	193	7027387	87	7027656	47, 52	7027751	173
7027317	193	7027388	87, 143	7027657	48, 53	7027752	173
7027318	193	7027389	87	7027662	54	7027753	173
7027319	193	7027390	87	7027663	54	7027755	173
7027320	193	7027391	87, 143	7027665	47, 48	7027756	173
7027321	193	7027392	87	7027666	47, 48	7027757	173
7027322	193	7027393	87	7027667	48	7027758	173
7027323	193	7027394	87	7027668	48	7027759	173
7027324	193	7027395	87, 144	7027669	48	7027760	173
7027325	193	7027396	87	7027671	48	7027763	173
7027326	85	7027397	87	7027672	48	7027765	175
7027327	85	7027398	87, 143	7027673	48	7027766	175
7027328	85	7027399	88	7027674	48	7027768	173
7027329	189	7027500	53	7027675	47, 48	7027801	57
7027330	189	7027501	53	7027676	47, 48	7027802	57
7027331	189	7027502	53	7027677	48	7027803	57
7027332	189	7027503	54	7027678	48	7027805	57
7027334	189	7027504	54	7027679	48	7027806	57
7027335	189	7027505	54	7027680	33	7027807	57
7027336	185, 191	7027506	54	7027681	33	7027808	57
7027337	191	7027507	54	7027682	33	7027809	57
7027338	183, 185, 191	7027508	54	7027683	33	7027810	57
7027339	191	7027511	47, 52	7027684	33	7027811	57
7027340	185, 187, 191, 195	7027600	88	7027685	33	7027812	57
7027341	185, 191	7027601	88	7027686	33	7027813	57
		7027602	88			7027814	57

## SECTION 10 - SPECIAL OPTIONS

7027815.....	57	7027830.....	58	7027883.....	57	8036580.....	67
7027816.....	57	7027831.....	58	7027884.....	57	8229242.....	224, 234
7027817.....	57	7027834.....	58	7027885.....	57	8310264....	148, 157, 165, 170
7027818.....	57	7027835.....	58	7027886.....	57	8580420....	16, 20, 26, 30
7027819.....	57	7027836.....	58	7027890.....	19, 25	88212228.....	127
7027820.....	57	7027837.....	58	7027897.....	173	8896941.....	265
7027821.....	57	7027838.....	58	7027899.....	173	8990147....	241, 246, 253, 258
7027822.....	57	7027839.....	58	71101.....	99	91163087...	247, 254, 258
7027823.....	57	7027840.....	58	71820.....	15, 260	9984240.....	21, 52
7027824.....	57	7027841.....	58	71820-1.....	15	9984241.....	21
7027825.....	58	7027842.....	58	71906.....	99	9984242.....	21
7027826.....	57	7027843.....	58	71907.....	99	9984274.....	73, 91
7027827.....	58	7027844.....	58	72203.....	215, 225		
7027828.....	58	7027845.....	58	80234299.....	131		
7027829.....	58	7027846.....	58	80317.....	47, 52		





3121199



An Oshkosh Corporation Company

**Corporate Office**  
**JLG Industries, Inc.**  
**1 JLG Drive**  
**McConnellsburg, PA 17233-9533 USA**  
**☎ (717) 485-5161 (Corporate)**  
**☎ (877) 554-5438 (Customer Support)**  
**☎ (717) 485-6417**

**Visit our website for JLG Worldwide Locations.**  
**[www.jlg.com](http://www.jlg.com)**