

AKHL1260EX

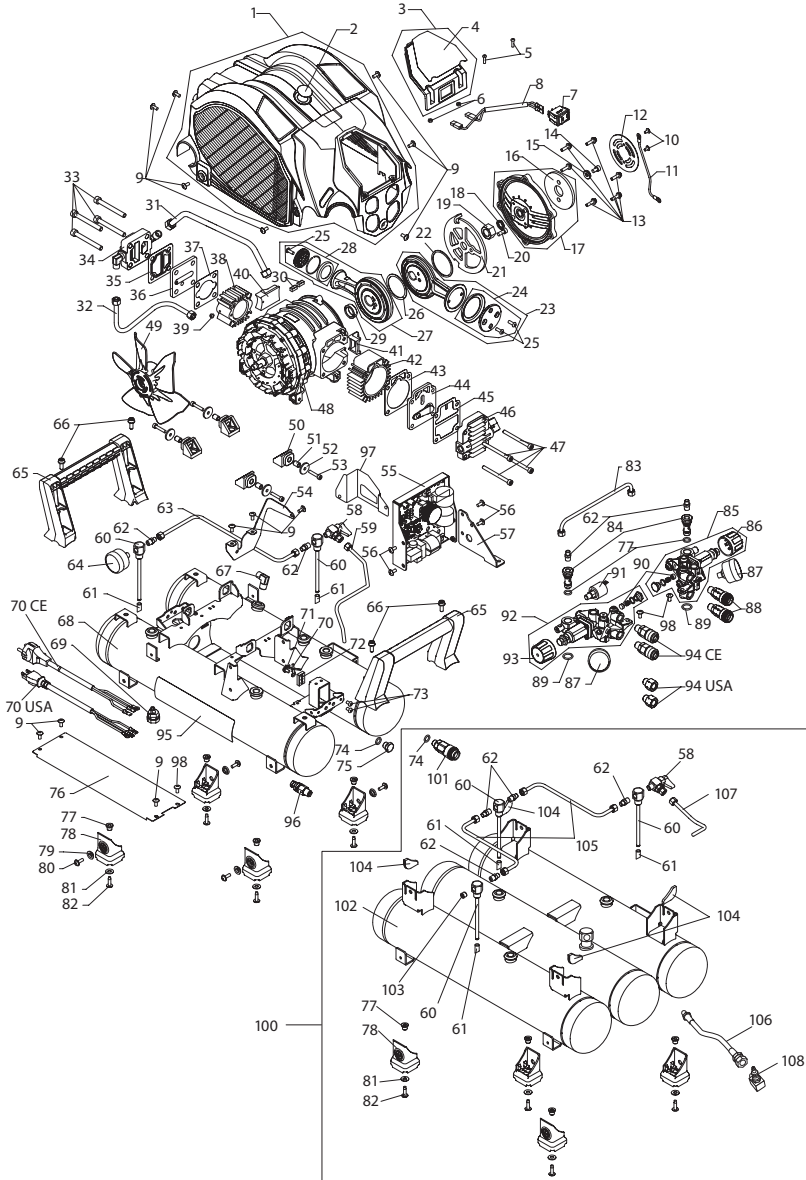
EXPLODED
VIEW AND SPARE
PARTS LIST

SCHEMA ECLATE ET
LISTE DES PIÉCES
DE RECHANGE

DESPIECE DE LA
MAQUINA Y LISTA
DE RECAMBIOS

EINZELTEILDAR-
STELLUNG UND
ERSATZEILLISTE

ESPLOSO DEI
COMPONENTI DE
ELENCO DELLE
PARTI DI RICAMBIO



| TOOL | INDEX | CODE | DESCRIPTION | LIST PRICE |
|------------|-------|---------|--|------------|
| AKHL1260EX | 1 | AK70678 | COVER ASSY 1260E | \$81.06 |
| AKHL1260EX | 2 | AK15952 | GATE LABEL 1260E | \$0.30 |
| AKHL1260EX | 3 | AK70674 | SWITCH PANEL ASSY 1260E | \$119.46 |
| AKHL1260EX | 4 | AK15915 | PANEL LABEL 1260E | \$10.80 |
| AKHL1260EX | 5 | AA21157 | PAN HEAD SCREW 4X15 | \$0.35 |
| AKHL1260EX | 6 | CC41103 | HEX. NUT 1-4 | \$0.29 |
| AKHL1260EX | 7 | AK14857 | POWER SWITCH ASSY | \$27.91 |
| AKHL1260EX | 8 | AK15949 | SWITCH WIRE ASSY 1260E | \$10.50 |
| AKHL1260EX | 9 | AA34805 | SCRW 5X12 | \$0.35 |
| AKHL1260EX | 10 | BB40448 | BOLT 4 X 6 T29036/T29062(REPLACES TA15543) | \$0.29 |
| AKHL1260EX | 11 | AK15774 | MORTOR WIRE | \$4.60 |
| AKHL1260EX | 12 | AK15293 | FILTER RETAINER | \$2.12 |
| AKHL1260EX | 13 | BB43804 | SCREW 5X18 | \$0.64 |
| AKHL1260EX | 14 | BB40416 | SCREW 6X10 | \$0.35 |
| AKHL1260EX | 15 | EE39836 | WASHER 6.2X17X3 | \$1.28 |
| AKHL1260EX | 16 | AK15292 | FILTER ELEMENT | \$1.43 |
| AKHL1260EX | 17 | AK70546 | CRANKCASE CAP ASSY | \$39.27 |
| AKHL1260EX | 18 | AK14617 | SHAFT COLLAR | \$3.73 |
| AKHL1260EX | 19 | CC41107 | NUT 1-16 P1.5 | \$1.28 |
| AKHL1260EX | 20 | BB40436 | HEX.BOLT 6 X 14 | \$0.29 |
| AKHL1260EX | 21 | AK15117 | FLYWHEEL BALANCER | \$20.33 |
| AKHL1260EX | 22 | AK15137 | 6910 STOPPER | \$1.83 |
| AKHL1260EX | 23 | AK70418 | CONNECTING ROD UNIT 60 KIT | \$216.05 |
| AKHL1260EX | 24 | AK81332 | LIP RING MAINTENANCE KIT 1260E | \$55.80 |
| AKHL1260EX | 25 | BB86702 | HEXALOBULAR SOCKET HEAD CAP BUTTON BOLT 5X14 | \$1.30 |
| AKHL1260EX | 26 | AK15288 | 6009 STOPPER | \$1.43 |
| AKHL1260EX | 27 | AK70419 | CONNECTING ROD UNIT 40 KIT | \$232.30 |
| AKHL1260EX | 28 | AK81333 | LIP RING 40 MAINTENANCE KIT | \$67.60 |
| AKHL1260EX | 29 | AK15861 | MOTOR AXIS COLLAR | \$10.80 |
| AKHL1260EX | 30 | AK15300 | KEY 6X6X13.5 | \$1.30 |
| AKHL1260EX | 31 | AK81298 | INTERMEDIATE PIPE UNIT | \$52.20 |
| AKHL1260EX | 32 | AK81334 | DISCHARGE PIPE UNIT1260E | \$24.96 |
| AKHL1260EX | 33 | BB40837 | SCREW 8X70 | \$1.63 |
| AKHL1260EX | 34 | AK81335 | CYLINDER HEAD S ASSY 1260E | \$60.40 |
| AKHL1260EX | 35 | AK14143 | HEAD SEAL S | \$5.58 |
| AKHL1260EX | 36 | AK70393 | VALVE SEAT UNIT S | \$54.98 |
| AKHL1260EX | 37 | AK14138 | CYLINDER SEAL S | \$3.39 |
| AKHL1260EX | 38 | AK15266 | CYLINDER S | \$99.10 |
| AKHL1260EX | 39 | AA21571 | PAN HEAD SCREW 4X4 | \$0.30 |
| AKHL1260EX | 40 | AK14568 | CRANKCASE SEAL S | \$1.63 |
| AKHL1260EX | 41 | AK14567 | CRANKCASE SEAL F | \$2.82 |
| AKHL1260EX | 42 | AK15082 | CYLINDER F | \$55.13 |
| AKHL1260EX | 43 | AK14125 | CULINDER SEAL | \$4.62 |
| AKHL1260EX | 44 | AK70395 | VALVE SEAT UNIT S | \$71.09 |
| AKHL1260EX | 45 | AK14128 | HEAD SEAL F | \$4.62 |
| AKHL1260EX | 46 | AK81297 | CYLINDER HEAD F ASSY | \$73.80 |
| AKHL1260EX | 47 | BB40838 | SCREW 6X70 | \$1.41 |
| AKHL1260EX | 48 | AK70594 | DC BRUSHLESS MORTOR UNIT | \$1,152.70 |
| AKHL1260EX | 49 | AK70604 | COOLING FAN UNIT | \$40.36 |
| AKHL1260EX | 50 | AK15891 | DAMPER 1260E | \$4.26 |
| AKHL1260EX | 51 | AK15892 | DAMPER COLLAR 1260E | \$2.66 |

| TOOL | INDEX | CODE | DESCRIPTION | LIST PRICE |
|------------|-------|---------|--|------------|
| AKHL1260EX | 52 | AK15893 | DAMPER HOLDER 1260E | \$1.30 |
| AKHL1260EX | 53 | BB40405 | BOLT 5X25 | \$0.22 |
| AKHL1260EX | 54 | AK15951 | WIND GUIDE PLATE | \$12.50 |
| AKHL1260EX | 55 | AK81343 | INVERTER UNIT 1260E USA | \$648.06 |
| AKHL1260EX | 56 | AA24507 | PHILLIPS TRUSS HEAD SCREW 5X12 CF | \$0.30 |
| AKHL1260EX | 57 | AK15950 | INVERTER HOLD PLATE 3 1260E | \$9.50 |
| AKHL1260EX | 58 | AK14179 | DRAIN COCK | \$43.18 |
| AKHL1260EX | 59 | AK70666 | EXHAUST PIPE UNIT 1110 | \$76.16 |
| AKHL1260EX | 60 | AK70664 | DRAIN NIPPLE UNIT 1260E | \$27.90 |
| AKHL1260EX | 61 | AK14180 | DRAIN TUBE | \$0.99 |
| AKHL1260EX | 62 | TT07018 | JOINT MH-1061-OM | \$4.07 |
| AKHL1260EX | 63 | AK81338 | DRAIN CONNECTING PIPE UNIT | \$18.06 |
| AKHL1260EX | 64 | AK15926 | PRESSURE GAUGE 60BAR 1260E | \$102.40 |
| AKHL1260EX | 65 | AK15920 | GRIP 1260E | \$16.46 |
| AKHL1260EX | 66 | BB43101 | SCREW 6X16 | \$0.99 |
| AKHL1260EX | 67 | TT07020 | JOINT ML-2082-SN-OM | \$9.41 |
| AKHL1260EX | 68 | AK70649 | AIR TANK UNIT 1260E | \$1,430.66 |
| AKHL1260EX | 69 | AK15478 | STRAIN BUSHING SR-7W-2 | \$3.82 |
| AKHL1260EX | 70 | AK15509 | POWER CODE 1250 USA | \$76.02 |
| AKHL1260EX | 71 | AA03104 | SCREW 5X10 | \$0.35 |
| AKHL1260EX | 72 | AK15462 | EARTHING BAR 1250 CE | \$16.86 |
| AKHL1260EX | 73 | AA21114 | SCREW 5X8 | \$0.29 |
| AKHL1260EX | 74 | HH11132 | O-RING 1AP10A CN65072 | \$0.48 |
| AKHL1260EX | 75 | AK14678 | DETENT PLUG M12X1.5 LEFT | \$5.58 |
| AKHL1260EX | 76 | AK15909 | UNDER COVER 1260E | \$9.86 |
| AKHL1260EX | 77 | AK15139 | LEG RUBBER PIN | \$2.66 |
| AKHL1260EX | 78 | AK15419 | LEG RUBBER | \$99.10 |
| AKHL1260EX | 79 | AK14674 | DAMPER COLLAR | \$1.63 |
| AKHL1260EX | 80 | AA02518 | PAN WASHER SCREW 5X16 | \$0.30 |
| AKHL1260EX | 81 | EE39812 | PLANE WASHER 6.5X15X1 | \$0.29 |
| AKHL1260EX | 82 | AA34808 | CROSS RECESSED TRUSS HEAD TAPPING SCREW 5X20 | \$0.77 |
| AKHL1260EX | 83 | AK81339 | CONNECTING PIPE UNIT 1260E | \$32.80 |
| AKHL1260EX | 84 | AK15116 | REG NIPPLE | \$18.27 |
| AKHL1260EX | 85 | AK81340 | DELIVERY H ASSY 1260E | \$193.96 |
| AKHL1260EX | 86 | AK15764 | HANDLE H | \$2.96 |
| AKHL1260EX | 87 | AK15925 | PRESSURE GAUGE 35BAR 1260 | \$50.56 |
| AKHL1260EX | 88 | TT05027 | AIR CHUCK HLL22M | \$50.20 |
| AKHL1260EX | 89 | HH11187 | O-RING 1AP15 | \$1.28 |
| AKHL1260EX | 90 | AK70628 | VALVE ELEMENT UNIT | \$12.80 |
| AKHL1260EX | 91 | AK15756 | PRESSURE SENSOR IP66 | \$145.70 |
| AKHL1260EX | 92 | AK81341 | DELIVERY L ASSY 1260E | \$210.00 |
| AKHL1260EX | 93 | AK15763 | HANDLE L | \$2.96 |
| AKHL1260EX | 94 | AK14891 | R-NPT NIPPLE | \$23.27 |
| AKHL1260EX | 95 | AK15932 | RATING LABEL 1260E USA | \$5.26 |
| AKHL1260EX | 96 | AK15456 | RELIEF VALVE 565PSI | \$101.33 |
| AKHL1260EX | 97 | AK15966 | DRAIN GUARD | \$16.46 |
| AKHL1260EX | 98 | AA34806 | SCREW 5X16 | \$0.35 |
| AKHL1260EX | 101 | TT05029 | AIR CHUCK 44K PURGE | \$214.96 |
| AKHL1260EX | 102 | AK70662 | AIR TANK UNIT 1260EX | \$1,987.80 |
| AKHL1260EX | 103 | AK11252 | HEX SCREW R1/8 | \$0.62 |
| AKHL1260EX | 104 | AK15930 | CONNECTING DAMPER | \$2.00 |

| TOOL | INDEX | CODE | DESCRIPTION | LIST PRICE |
|------------|-------|---------|--------------------------------|------------|
| AKHL1260EX | 105 | AK81342 | CONNECTING PIPE UNIT 1260EX | \$40.70 |
| AKHL1260EX | 106 | AK14792 | FLEXIBLE PIPE M-5 | \$155.86 |
| AKHL1260EX | 107 | AK81337 | EXHAUST PIPE UNIT 1260E | \$44.00 |
| AKHL1260EX | 108 | AK70702 | ELBOW MALE SCREW PLUG 44K UNIT | \$96.50 |
| AKHL1260EX | 999 | AK14754 | 44-44K CONNECTING HOSE | \$252.00 |