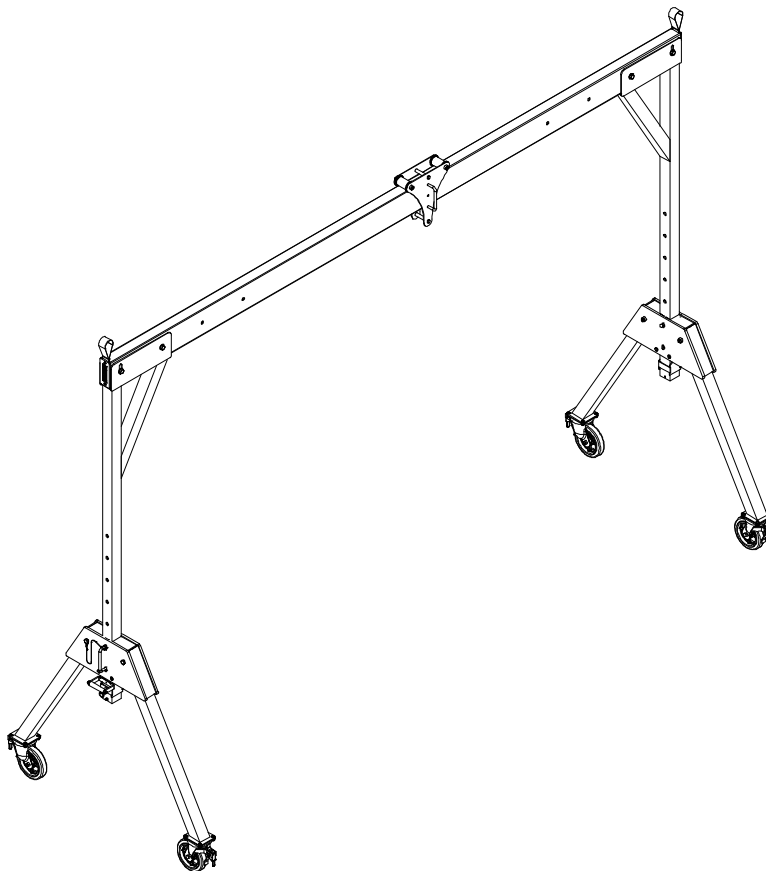

PARTS MANUAL

GH2T GANTRY LIFT



SUMNER[®]

USA:

7514 Alabonson Rd.
Houston, TX 77088
tel: 281-999-6900
fax: 281-999-6966

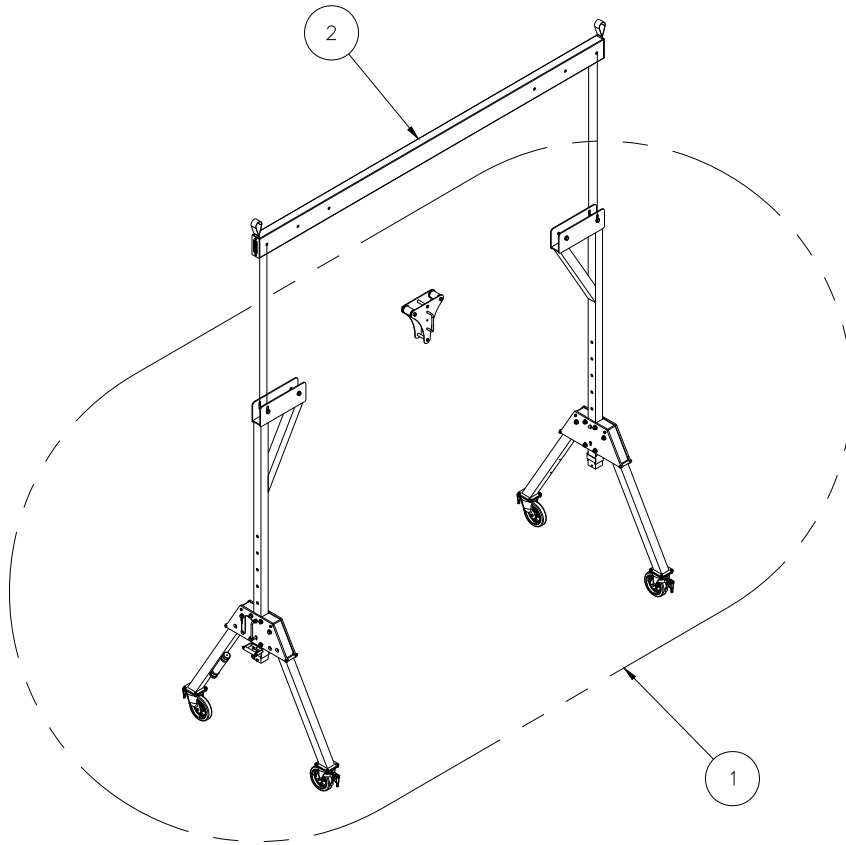
CANADA:

75 Saltsman Drive, Unit 5
Cambridge, Ontario N3H 4R7
Ph: 519-653-5300
Fax: 519-653-5305

UK:

Unit 16A
Blackpole Trading Estate East
Blackpole Road
Worcester, WR3 8SG
tel: +44 (0)1905 458333
fax: +44(0)1905 458222

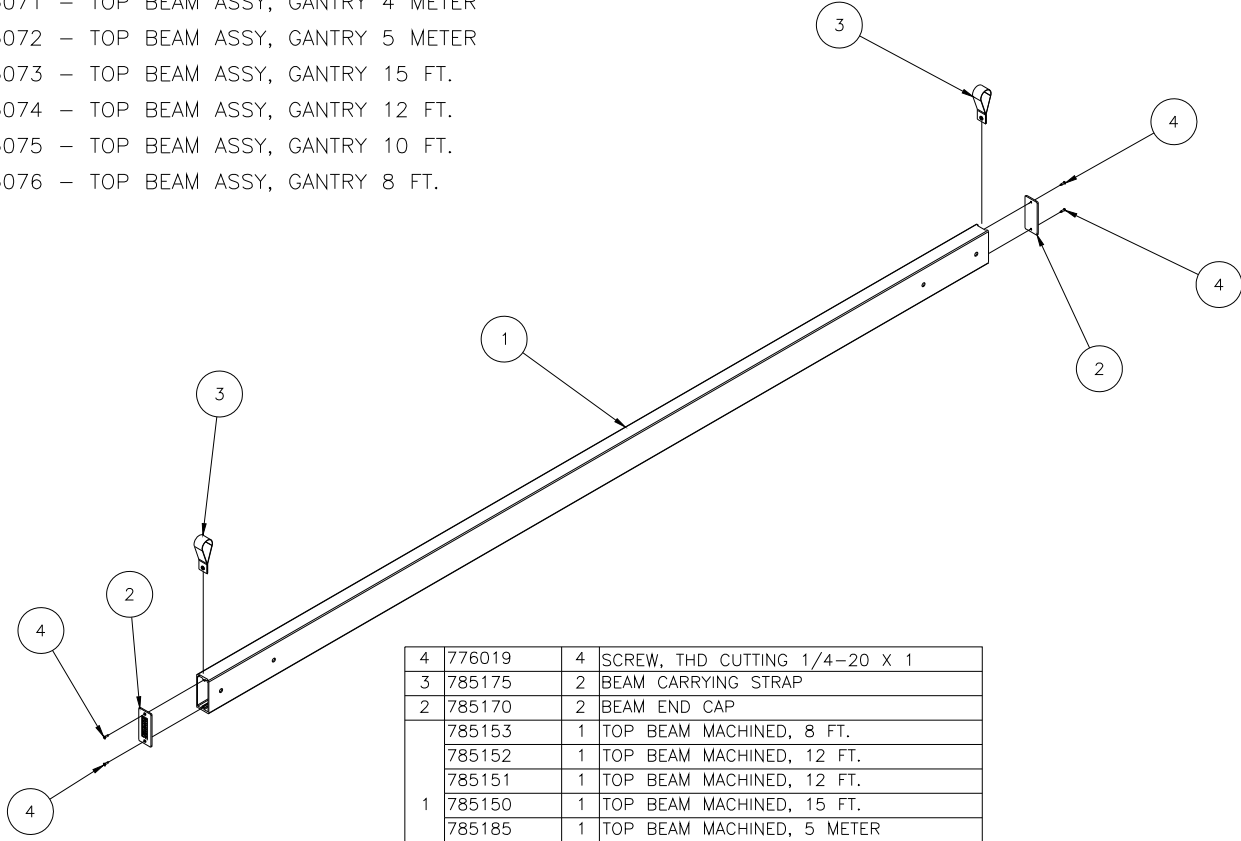
GANTRY ASSEMBLY



	785076	1	TOP BEAM ASSY, GANTRY 8 FT.
	785075	1	TOP BEAM ASSY, GANTRY 10 FT.
	785074	1	TOP BEAM ASSY, GANTRY 12 FT.
2	785073	1	TOP BEAM ASSY, GANTRY 15 FT.
	785072	1	TOP BEAM ASSY, GANTRY 5 METER
	785071	1	TOP BEAM ASSY, GANTRY 4 METER
	785070	1	TOP BEAM ASSY, GANTRY 3 METER
1	785065	1	GANTRY, A-FRAME/TROLLEY ASSY.
Item	Part No.	Qty	Description
Parts List			

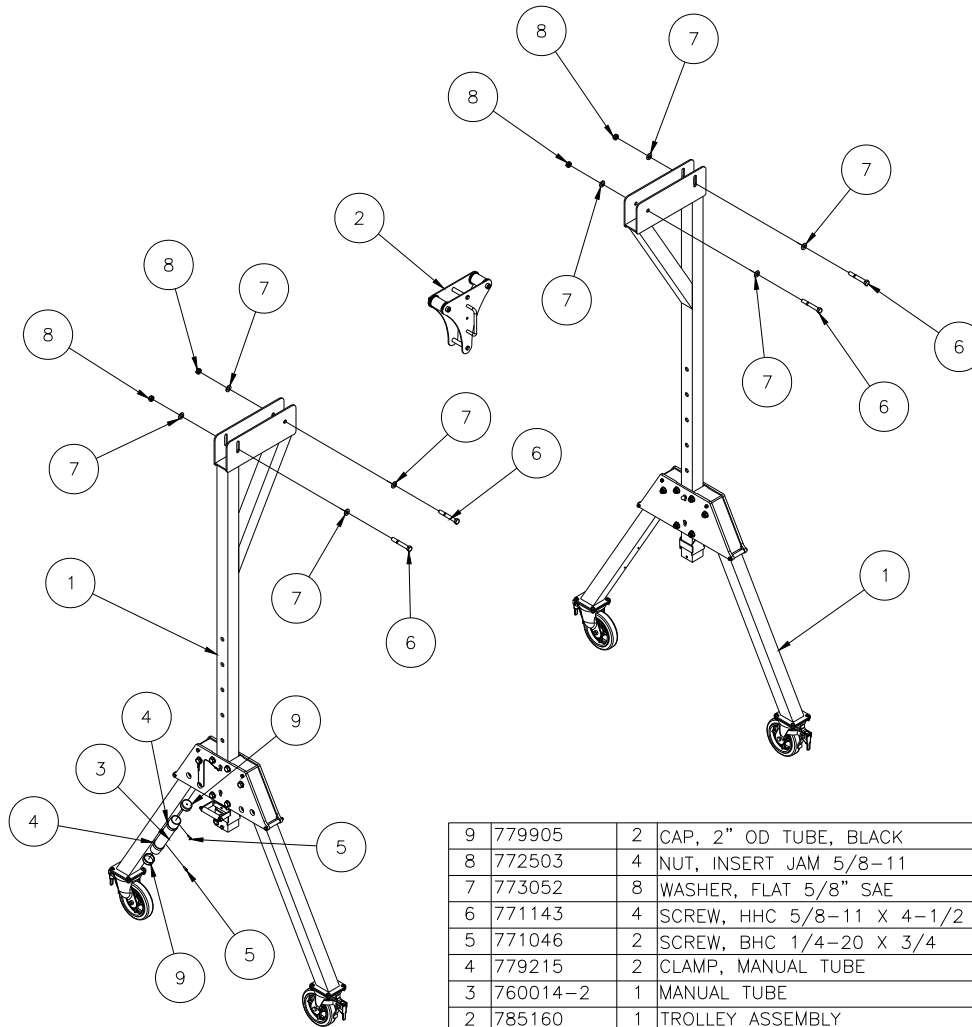
TOP BEAM ASSEMBLY

- 785070 – TOP BEAM ASSY, GANTRY 3 METER
- 785071 – TOP BEAM ASSY, GANTRY 4 METER
- 785072 – TOP BEAM ASSY, GANTRY 5 METER
- 785073 – TOP BEAM ASSY, GANTRY 15 FT.
- 785074 – TOP BEAM ASSY, GANTRY 12 FT.
- 785075 – TOP BEAM ASSY, GANTRY 10 FT.
- 785076 – TOP BEAM ASSY, GANTRY 8 FT.



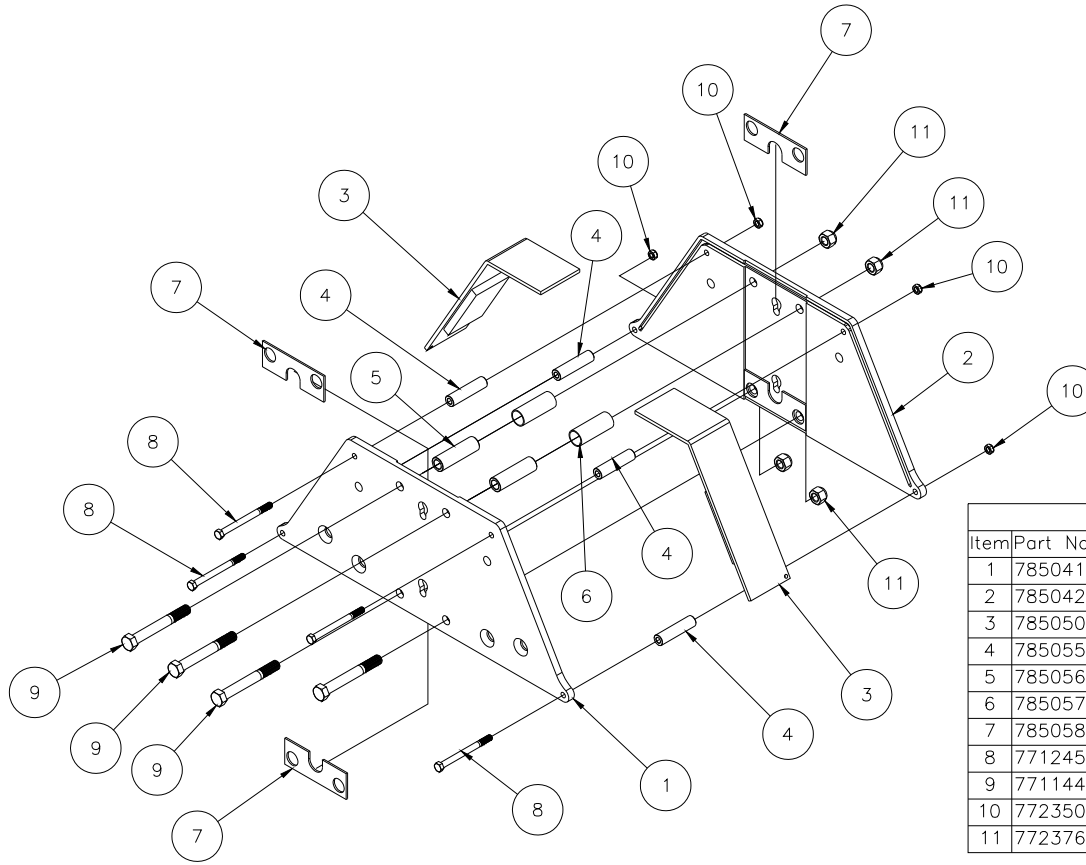
4	776019	4	SCREW, THD CUTTING 1/4-20 X 1
3	785175	2	BEAM CARRYING STRAP
2	785170	2	BEAM END CAP
1	785153	1	TOP BEAM MACHINED, 8 FT.
	785152	1	TOP BEAM MACHINED, 12 FT.
	785151	1	TOP BEAM MACHINED, 12 FT.
	785150	1	TOP BEAM MACHINED, 15 FT.
	785185	1	TOP BEAM MACHINED, 5 METER
	785184	1	TOP BEAM MACHINED, 4 METER
	785183	1	TOP BEAM MACHINED, 3 METER
Item	Part No.	Qty	Description
Parts List			

785065 - A-FRAME TROLLEY ASSEMBLY



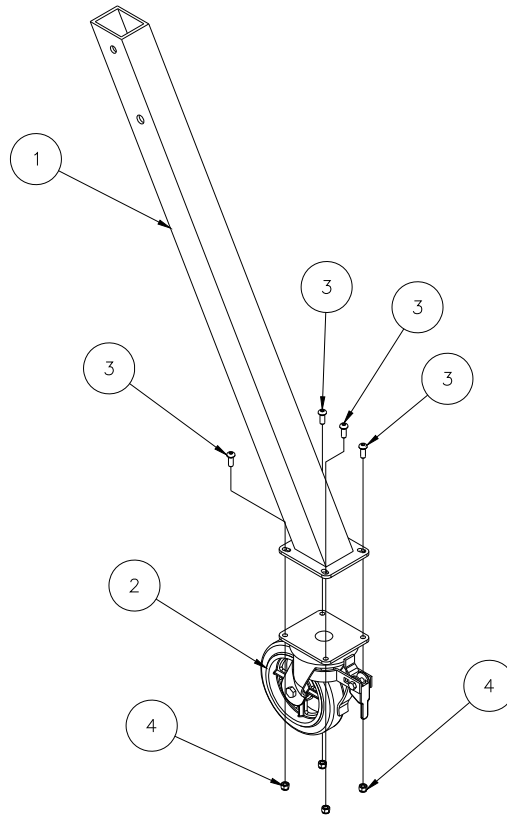
9	779905	2	CAP, 2" OD TUBE, BLACK
8	772503	4	NUT, INSERT JAM 5/8-11
7	773052	8	WASHER, FLAT 5/8" SAE
6	771143	4	SCREW, HHC 5/8-11 X 4-1/2
5	771046	2	SCREW, BHC 1/4-20 X 3/4
4	779215	2	CLAMP, MANUAL TUBE
3	760014-2	1	MANUAL TUBE
2	785160	1	TROLLEY ASSEMBLY
1	785106	2	A-FRAME ASSEMBLY, GANTRY PINNED
Item	Part No.	Qty	Description
Parts List			

785040 TRAP PLATE ASSEMBLY



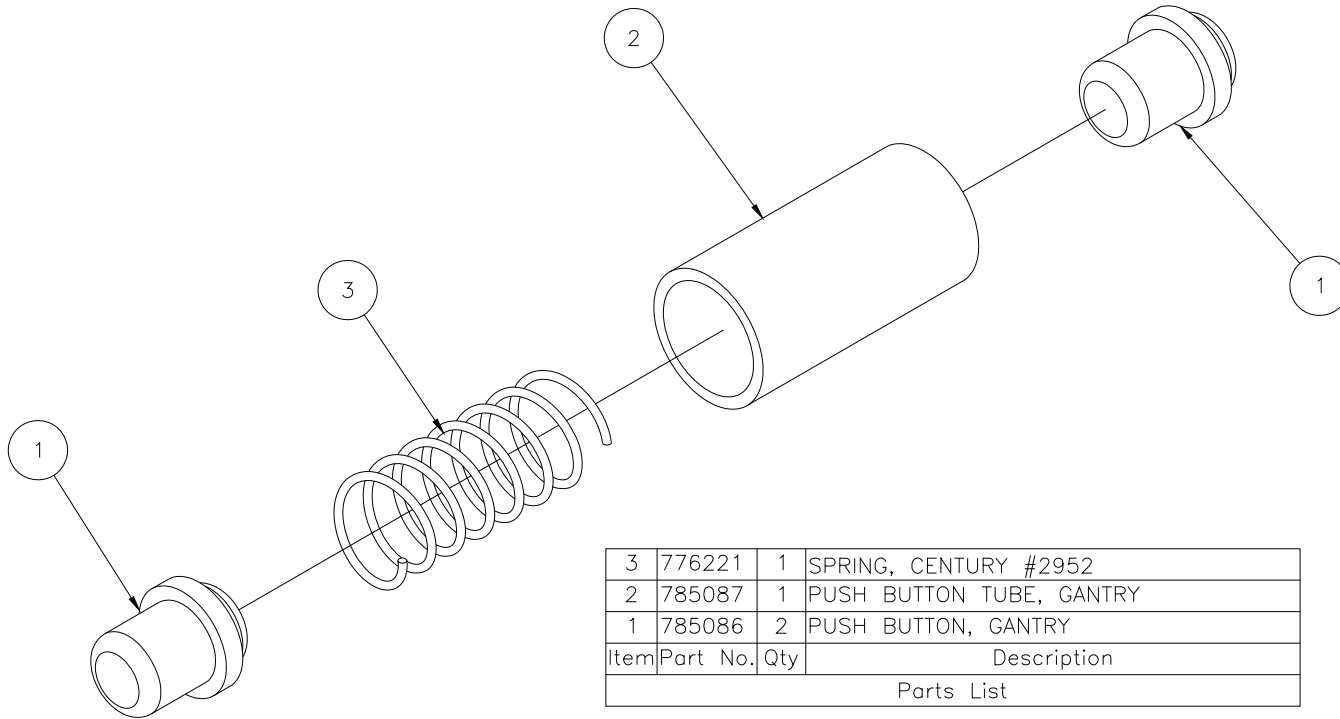
Parts List			
Item	Part No.	Qty	Description
1	785041	1	TRAP PLATE MACH W/PLUNGER HOLES
2	785042	1	TRAP PLATE MACH W/O PLUNGER HOLES
3	785050	2	TRAP PLATE SPACER WELDMENT
4	785055	4	SPACER, BOLT 3/8 X 3.030
5	785056	4	SPACER, BOLT 5/8 X 3.280
6	785057	4	ROLLER, SPACER 1 X 2-7/8
7	785058	4	SLIDE, UHMW 5.5 X 2 X .125
8	771245	4	SCREW, HHC 3/8-16 X 4-1/2
9	771144	4	SCREW, HHC 5/8-11 X 5
10	772350	4	NUT, INSERT JAM 3/8-16
11	772376	4	NUT, INSERT LOCK 5/8-11

785080 - LEG ASSEMBLY



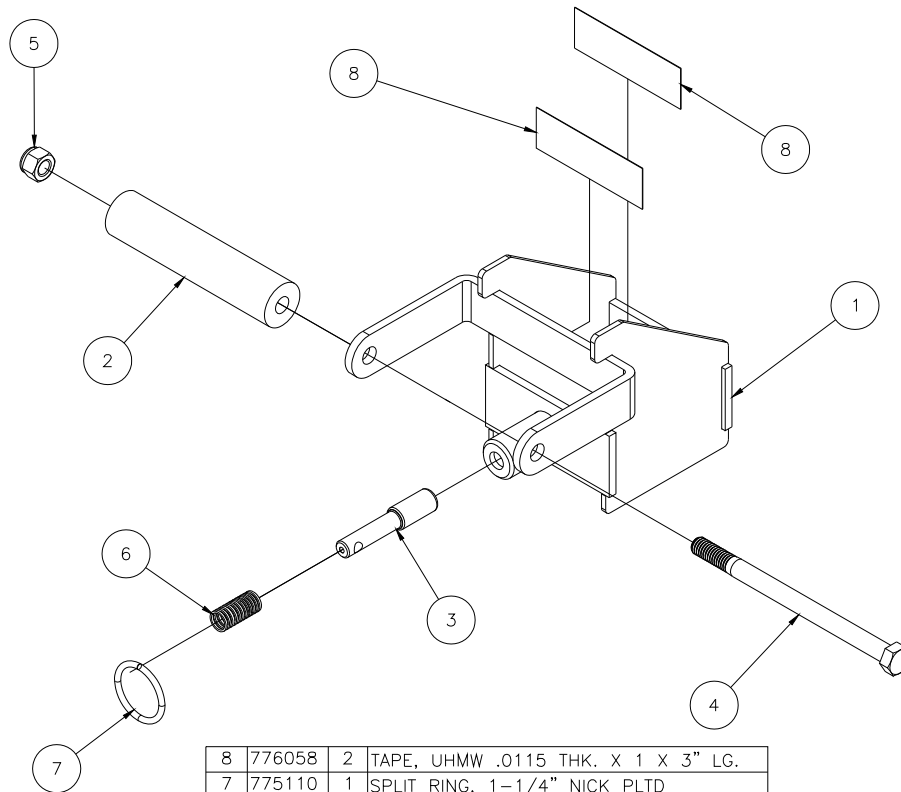
4	772355	4	NUT, INSERT LOCK 3/8-16
3	771266	4	SCREW, BHC 3/8-16 X 1
2	779041	1	CASTER, SWIVEL W/BRAKE 8 X 2
1	785081	1	LEG WELDMENT, GANTRY PINNED
Item	Part No.	Qty	Description
Parts List			

785085 - PUSH BUTTON ASSEMBLY



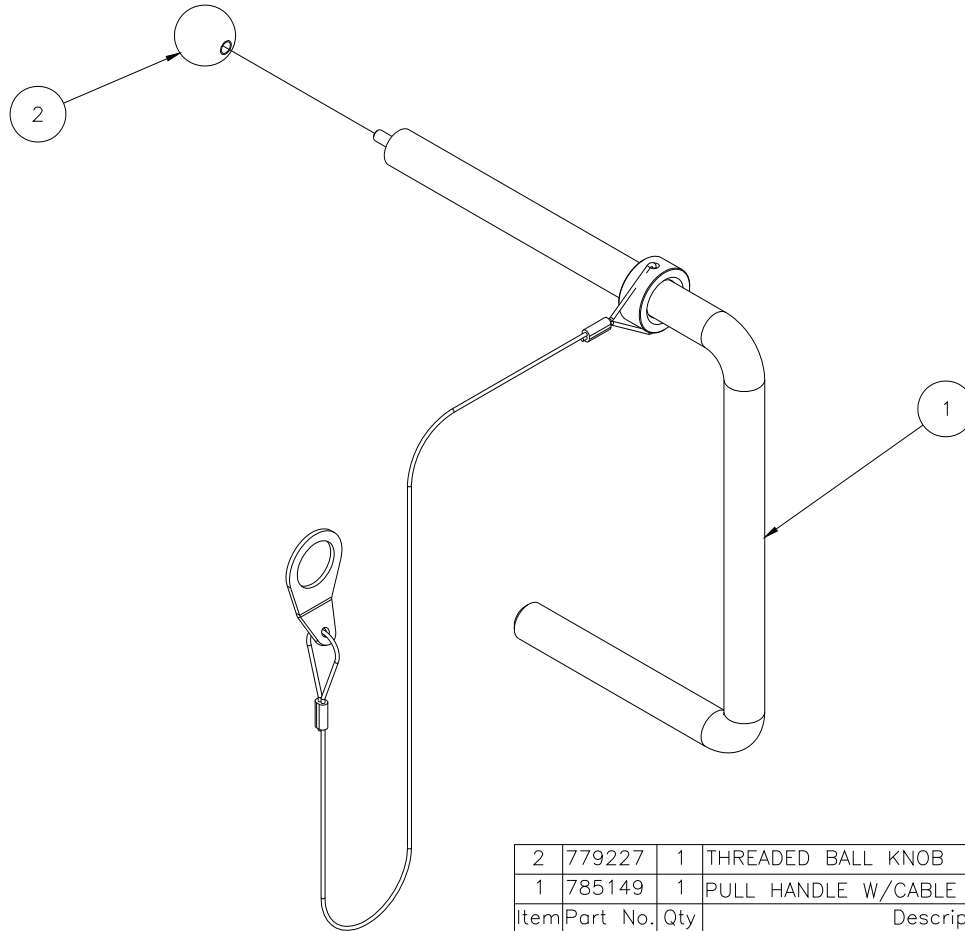
3	776221	1	SPRING, CENTURY #2952
2	785087	1	PUSH BUTTON TUBE, GANTRY
1	785086	2	PUSH BUTTON, GANTRY
Item	Part No.	Qty	Description
Parts List			

785130 - LIFT HANDLE ASSEMBLY



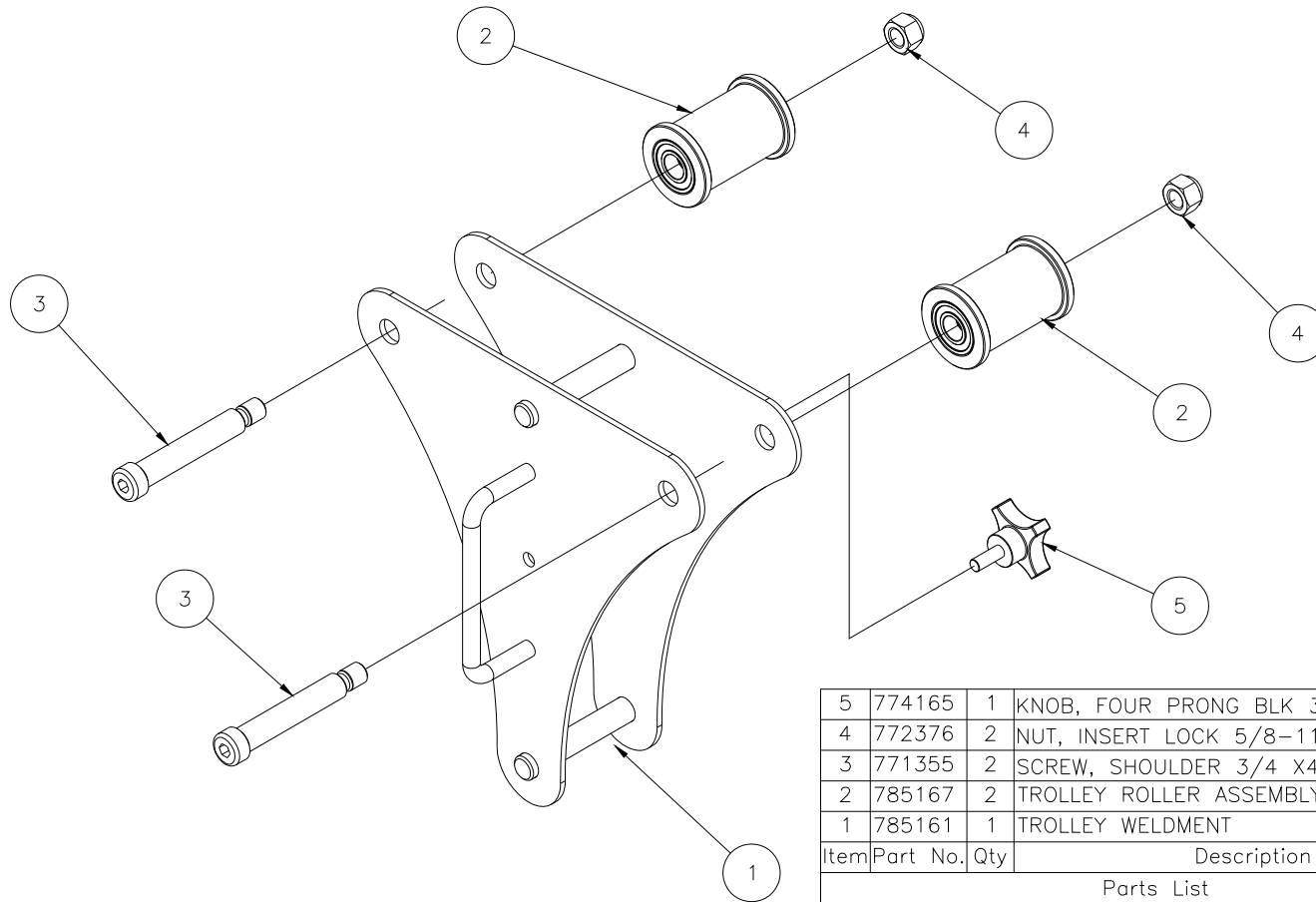
8	776058	2	TAPE, UHMW .0115 THK. X 1 X 3" LG.
7	775110	1	SPLIT RING, 1-1/4" NICK PLTD
6	776212	1	SPRING, #DWC-042-G-9
5	772355	1	NUT, INSERT LOCK 3/8-16
4	771111	1	SCREW, HHC 3/8-16 X 5-1/2
3	782510	1	PLUNGER
2	785136	1	GRIP, LIFT HANDLE
1	785131	1	LIFT HANDLE WELDMENT
Item	Part No.	Qty	Description
Parts List			

785145 - PULL HANDLE ASSEMBLY



2	779227	1	THREADED BALL KNOB
1	785149	1	PULL HANDLE W/CABLE
Item	Part No.	Qty	Description
Parts List			

785160 - TROLLEY ASSEMBLY



5	774165	1	KNOB, FOUR PRONG BLK 3/8-16
4	772376	2	NUT, INSERT LOCK 5/8-11
3	771355	2	SCREW, SHOULDER 3/4 X4
2	785167	2	TROLLEY ROLLER ASSEMBLY
1	785161	1	TROLLEY WELDMENT
Item	Part No.	Qty	Description
Parts List			