



# CONCRETE SAW PARTS LIST

**MODEL  
CC1800XL  
(Gas)**

March 11, 2015

Part #1801035

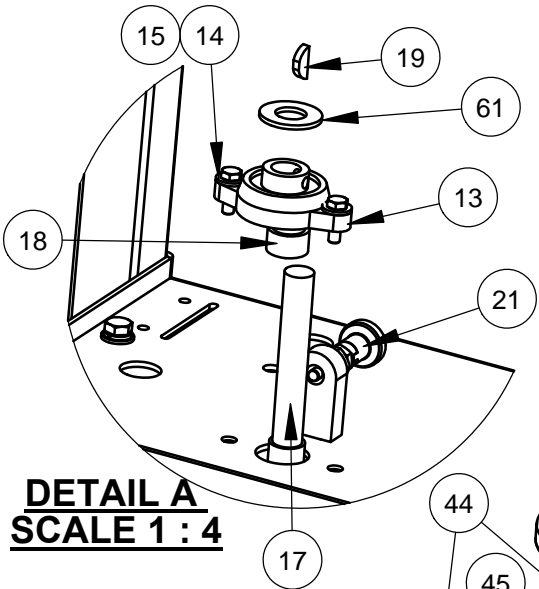
## Quick Reference Service Filters/ Belts

<u>DP Part No.</u>	<u>Description</u>	<u>Manufacturer's Part No.</u>
2700201	Air Filter for 13HP Honda (GX390)	(Honda #17210-ZE3-505)
2701757	Pre-Cleaner Air Filter for 16HP Briggs	(B&S #272490)
2703421	Air Filter for 13.5HP Briggs	(B&S #591338)
2701758	Air Filter for 16HP Briggs	(B&S #394018)
2501211	Air Filter for 20HP Honda (GX630)	(Donaldson # P821575)
2501184	Air Filter for 23HP Briggs	(Donaldson # P822686)
2703150	Fuel Filter for 13HP Honda (GX390)	(Honda #17672RZE2-W01)
2703422	Fuel Filter for 13.5HP Briggs	(B&S #797346)
2701841	Fuel Filter for 16HP Briggs	(B&S #808116S)
2700348	Fuel Filter for 20HP Honda (GX630)	(Honda #17672-880-000)
2703209	Fuel Filter for 23HP Briggs	(B&S #691035)
2702211	Oil Filter for 16HP Briggs	(B&S #492932S)
2701501	Oil Filter for 20HP Honda (GX630)	(Honda #15400-P0H-305PE)
2703210	Oil Filter for 23HP Briggs	(B&S #842921)
2500035	Blade Shaft Belt (3) for 13HP Honda (GX390)	(Gates #3VX335)
2500033	Transmission Belt for 13HP Honda (GX390)	(Gates #4L-430)
2500036	Blade Shaft Belt (4) for 20HP Honda (GX630) 16HP Briggs/23HP Briggs	(Gates #3VX355)
2500632	Transmission Belt for 20HP Honda (GX630) 16HP Briggs/23HP Briggs	(Gates #4L-410)

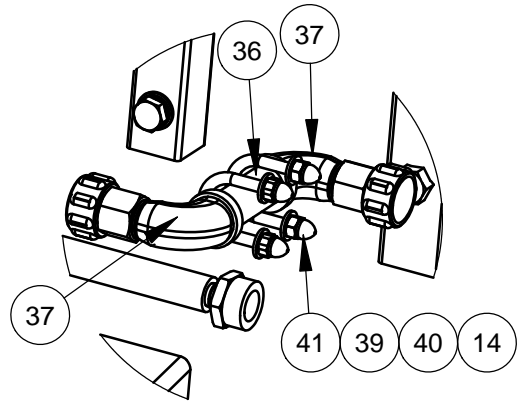
## TABLE OF CONTENTS

<u>Description</u>	<u>Page No.</u>
Common Parts.....	4 - 7
Front Axle Assembly .....	8
Rear Axle Assembly .....	9
Transmission Assembly .....	10 - 11
Blade Shaft Assembly, 13HP Honda (GX390).....	12
Blade Shaft Assembly, 20HP Honda (GX630) / 16HP Briggs-Vanguard.....	13
Blade Shaft Assembly, 23HP Briggs-Vanguard.....	14
Blade Shaft Assembly (For use with 24” Blade Guard) .....	15
Pointer Assemblies .....	16-17
Weight Bar Option.....	18
Battery Assembly.....	19
Engine Assembly, 13.5HP Briggs .....	20
Engine Assembly, 13HP Honda (GX390).....	21
Engine Assembly, 13HP Honda w/ Electric Start.....	22
Engine Assembly, 16HP Briggs-Vanguard .....	23
Muffler Assembly, 16HP Briggs-Vanguard .....	24
Engine Assembly, 20HP Honda w/ Electric Start (& Wiring Diagram).....	25 – 27
Muffler Assembly, 20HP Honda, High Mount Left .....	28
Engine Assembly, 23HP Briggs-Vanguard (& Wiring Diagram) .....	29 -31
Engine Assembly, 20HP Honda w/ Electric Start (Use with 24” Blade Guard)...	32 – 33
Fuel System.....	34
Tachometer / Hour Meter.....	35
Blade Guard 14” .....	36
Blade Guard 20” .....	37
Blade Guard 24” .....	38
Water Tank Option .....	39
Water Pump Option .....	40
Brake Option.....	41
Decals.....	42
Warranty.....	Rear Cover

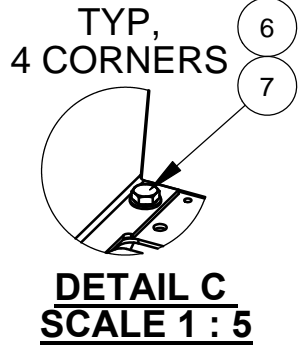
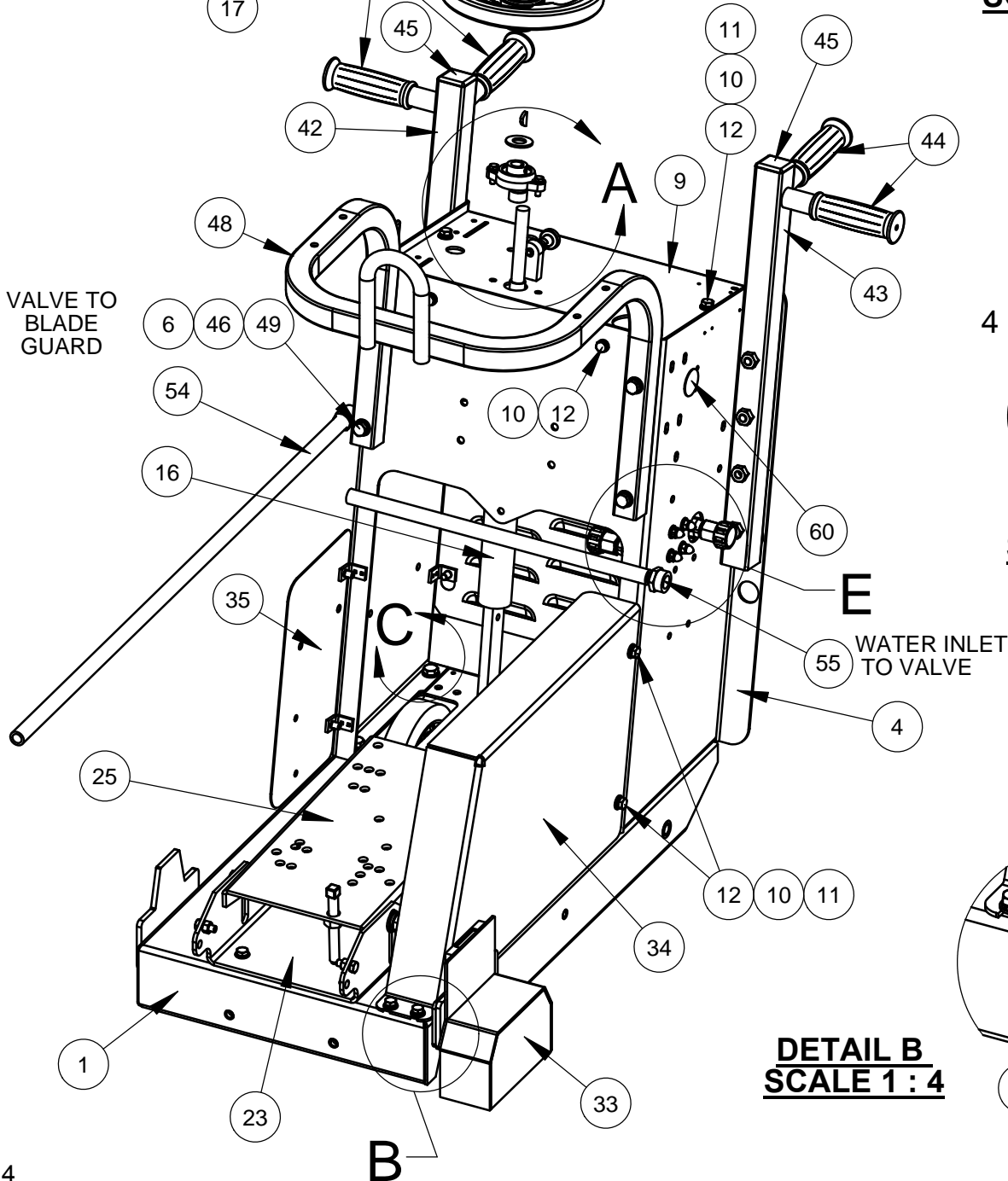
6048960: CC1800 XL, COMMON PARTS



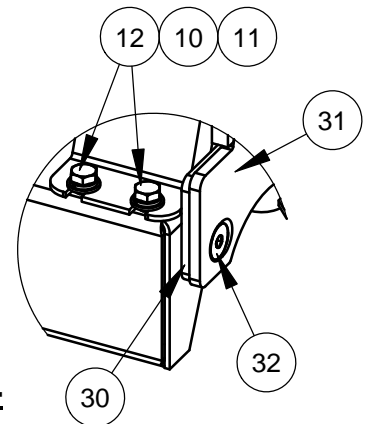
**DETAIL A**  
**SCALE 1 : 4**



**DETAIL E**  
**SCALE 1 : 4**



**DETAIL C**  
**SCALE 1 : 5**

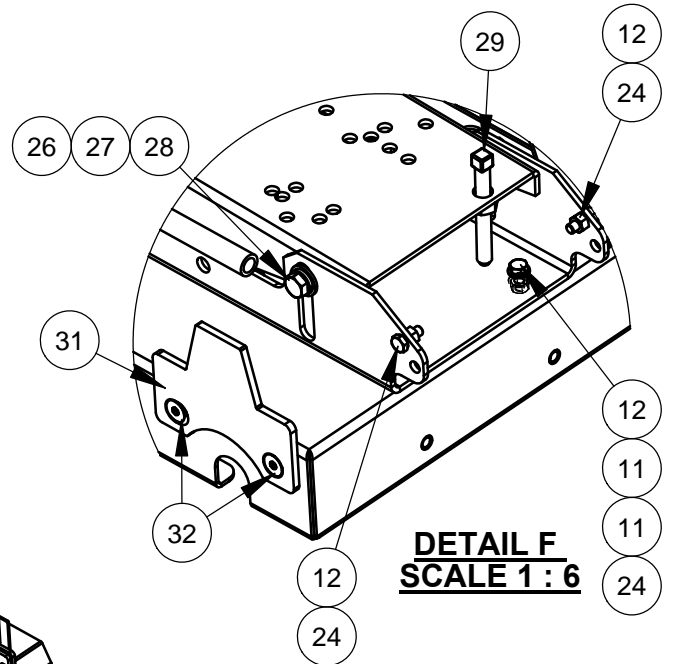
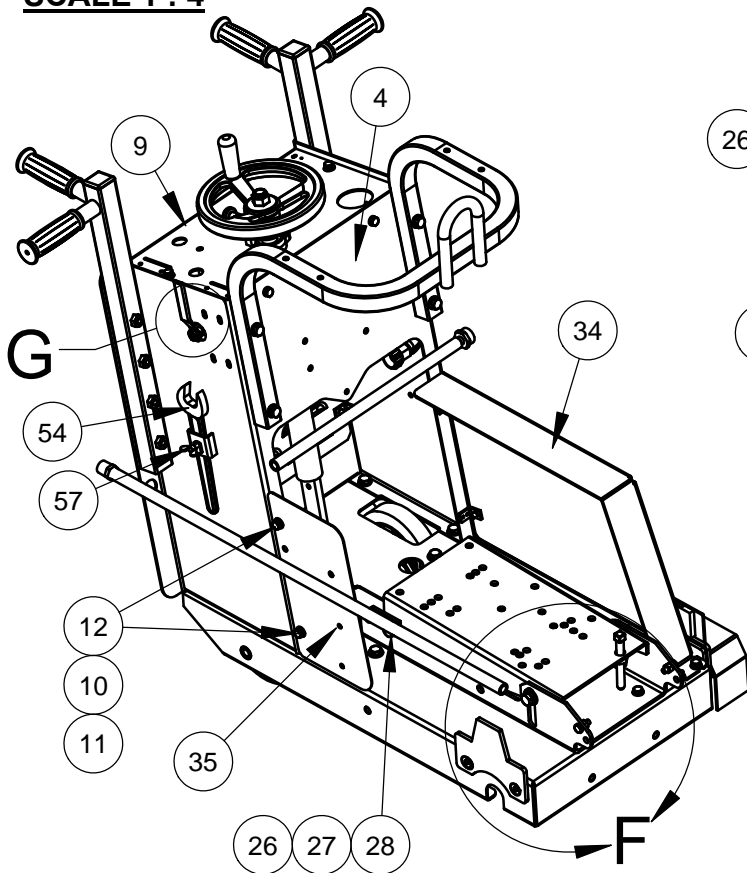
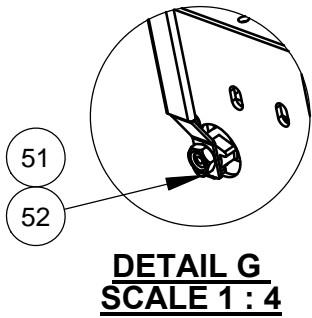
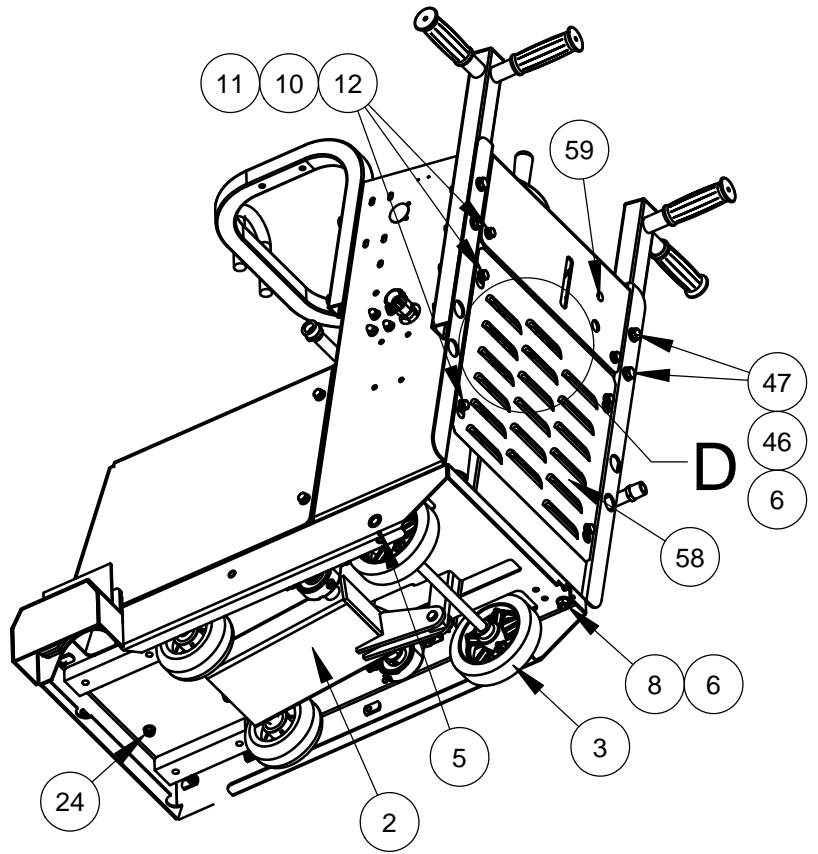
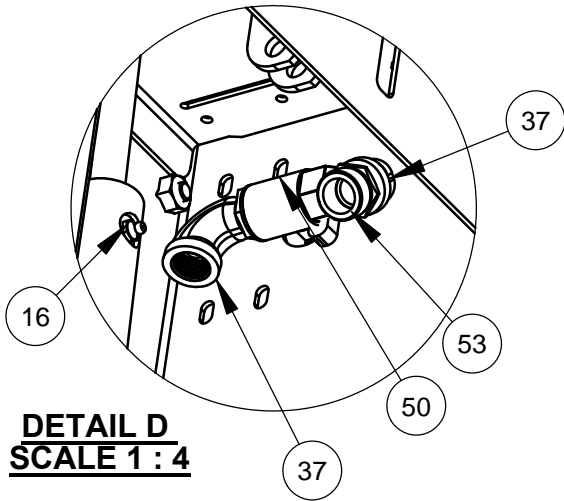


**DETAIL B**  
**SCALE 1 : 4**

**6048960: CC1800 XL, COMMON PARTS**

ITEM NO.	PART NUMBER	QTY.	DESCRIPTION
1	6048859	1	Frame Weldment, CC1800
2	6048956	1	Axle Assembly
3	6048104	1	Axle Assembly
4	6048331	1	Frame Upright Weldment
5	2900056	2	Set Screw, Soc. Hd., 1/4-20 x 1/4"
6	2900014	16	Flat Washer, 3/8" SAE
7	2900314	4	Cap Screw, Hex Hd., M10-1.5 x 20mm
8	2900304	4	Lock Nut, M10-1.5 Nylon Insert
9	6049044	1	Control Panel Weldment
10	2900031	16	Lock Washer, 5/16" Split
11	2900022	26	Flat Washer, 5/16" SAE
12	2900329	24	Cap Screw, Hex Hd., M8-1.25 x 20mm
13	2500807	1	Bearing, 5/8", Two Bolt Flange
14	2900009	6	Flat Washer, 1/4" SAE
15	2900310	2	Cap Screw, Hex Hd., M6-1.0 x 20mm
16	6047928	1	Adjustment Shaft W/Grease Fitting
17	6047929	1	Adjustment Screw
18	6047931	1	Spacer Tube 7/8 x 1/2
19	2900352	1	Woodruff Key, 5/32 x 3/4, #506
20	2500800	1	Handwheel, 8"
21	2400138	1	Indexing Plunger 1/2-13
22	2900355	1	Lock Nut, 5/8-18, Flex Top
23	6048060	1	Engine Base Mount
24	2900303	8	Lock Nut, M8-1.25 Nylon Insert
25	6048059	1	Engine Base Weldment
26	2900058	4	Flat Washer, 1/2" SAE
27	2900084	4	Lock Washer, 1/2" Split
28	2900330	4	Cap Screw, Hex Hd., M12-1.75 x 30mm
29	2900332	1	Setscrew, Sq. Hd., M12 x 100mm
30	6048915	1	Tapered Guard Mount Spacer
31	6048908	2	Tapered Guard Mount
32	2900744	4	Capscrew, Flat Hd., M10 x 25mm
33	6048906	1	Shaft Guard
34	6048329	1	Belt Guard
35	6048328	1	Slurry Shield
36	3201737	1	1/2" NPT x 3", Nipple
37	3200013	4	Street Elbow, 1/2" NPT
38	3200022	2	Fitting, 1/2" F. Pipe to 3/4" F. Garden
39	2900241	2	U-Bolt, 3/4" Pipe
40	2900125	4	Hex Nut, 1/4-20
41	2900827	4	Acorn Nut, High Crown, 1/4-20
42	6048601	1	Handlebar
43	6048602	1	Handlebar
44	2500636	4	Handle Grip
45	2503925	2	Cap, 1-1/2" Sq. Tube
46	2900321	8	Lock Washer, M10 Split
47	2901348	4	Cap Screw, Hex Hd., M10 x 55mm
48	6048632	1	Lift Bar Assembly
49	2900318	4	Cap Screw, Hex Hd., M10-1.5 x 50mm
50	3200026	1	Water Valve, 1/2" FPT
51	2900038	2	Lock Washer, #10 Split
52	2900021	2	Machine Screw, Pan Hd., #10-24 x 3/8"
53	3200155	1	Fitting, 1/2" M. Pipe to 3/4" M. Garden
54	2500256	1	Wrench Head
55	6048919	1	Hose Assy., 1/2 x 35.6", Water
56	6048918	1	Hose Assy., 1/2 x 18-1/2", Water
57	2900307	1	Wing Screw, M6 x 16mm
58	6048063	1	Rear Cover Screen
59	2500204	1	Plug, 1/2" Hole
60	2501146	1	Plug, 1-1/4" Hole
61	2900002	1	Flat Washer, 5/8" SAE

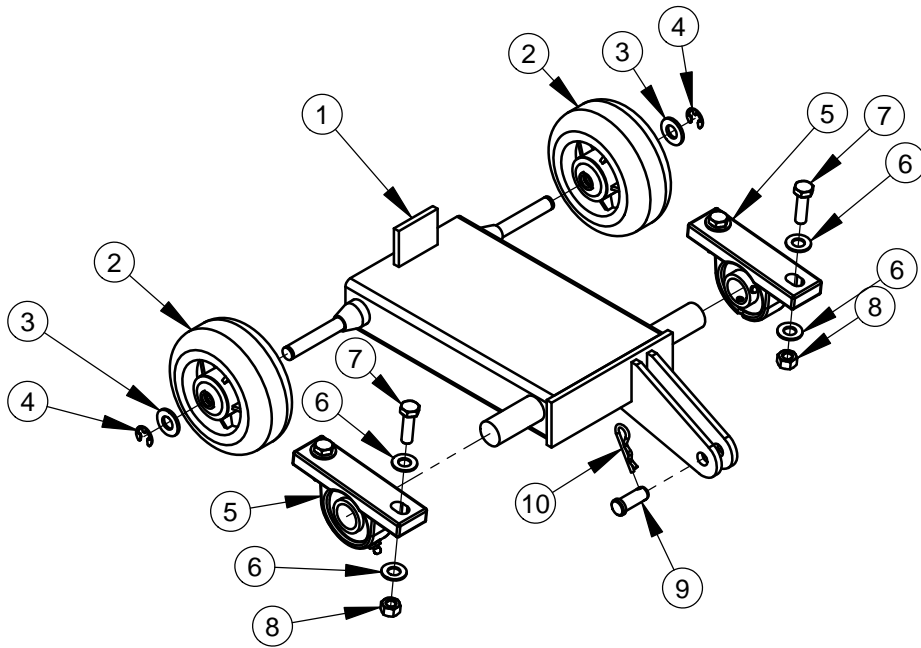
# 6048960: CC1800 XL, COMMON PARTS



**6048960: CC1800 XL, COMMON PARTS**

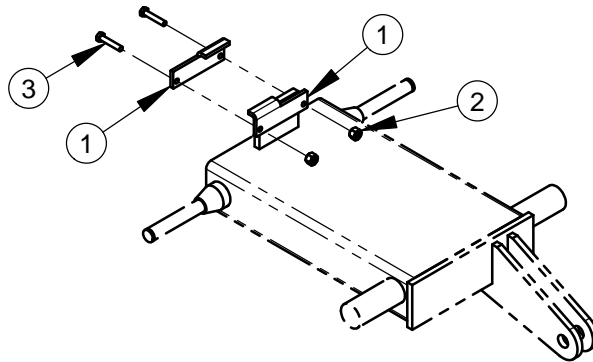
ITEM NO.	PART NUMBER	QTY.	DESCRIPTION
1	6048859	1	Frame Weldment, CC1800
2	6048956	1	Axle Assembly
3	6048104	1	Axle Assembly
4	6048331	1	Frame Upright Weldment
5	2900056	2	Set Screw, Soc. Hd., 1/4-20 x 1/4"
6	2900014	16	Flat Washer, 3/8" SAE
7	2900314	4	Cap Screw, Hex Hd., M10-1.5 x 20mm
8	2900304	4	Lock Nut, M10-1.5 Nylon Insert
9	6049044	1	Control Panel Weldment
10	2900031	16	Lock Washer, 5/16" Split
11	2900022	26	Flat Washer, 5/16" SAE
12	2900329	24	Cap Screw, Hex Hd., M8-1.25 x 20mm
13	2500807	1	Bearing, 5/8", Two Bolt Flange
14	2900009	6	Flat Washer, 1/4" SAE
15	2900310	2	Cap Screw, Hex Hd., M6-1.0 x 20mm
16	6047928	1	Adjustment Shaft W/Grease Fitting
17	6047929	1	Adjustment Screw
18	6047931	1	Spacer Tube 7/8 x 1/2
19	2900352	1	Woodruff Key, 5/32 x 3/4, #506
20	2500800	1	Handwheel, 8"
21	2400138	1	Indexing Plunger 1/2-13
22	2900355	1	Lock Nut, 5/8-18, Flex Top
23	6048060	1	Engine Base Mount
24	2900303	8	Lock Nut, M8-1.25 Nylon Insert
25	6048059	1	Engine Base Weldment
26	2900058	4	Flat Washer, 1/2" SAE
27	2900084	4	Lock Washer, 1/2" Split
28	2900330	4	Cap Screw, Hex Hd., M12-1.75 x 30mm
29	2900332	1	Setscrew, Sq. Hd., M12 x 100mm
30	6048915	1	Tapered Guard Mount Spacer
31	6048908	2	Tapered Guard Mount
32	2900744	4	Capscrew, Flat Hd., M10 x 25mm
33	6048906	1	Shaft Guard
34	6048329	1	Belt Guard
35	6048328	1	Slurry Shield
36	3201737	1	1/2" NPT x 3", Nipple
37	3200013	4	Street Elbow, 1/2" NPT
38	3200022	2	Fitting, 1/2" F. Pipe to 3/4" F. Garden
39	2900241	2	U-Bolt, 3/4" Pipe
40	2900125	4	Hex Nut, 1/4-20
41	2900827	4	Acorn Nut, High Crown, 1/4-20
42	6048601	1	Handlebar
43	6048602	1	Handlebar
44	2500636	4	Handle Grip
45	2503925	2	Cap, 1-1/2" Sq. Tube
46	2900321	8	Lock Washer, M10 Split
47	2901348	4	Cap Screw, Hex Hd., M10 x 55mm
48	6048632	1	Lift Bar Assembly
49	2900318	4	Cap Screw, Hex Hd., M10-1.5 x 50mm
50	3200026	1	Water Valve, 1/2" FPT
51	2900038	2	Lock Washer, #10 Split
52	2900021	2	Machine Screw, Pan Hd., #10-24 x 3/8"
53	3200155	1	Fitting, 1/2" M. Pipe to 3/4" M. Garden
54	2500256	1	Wrench Head
55	6048919	1	Hose Assy., 1/2 x 35.6", Water
56	6048918	1	Hose Assy., 1/2 x 18-1/2", Water
57	2900307	1	Wing Screw, M6 x 16mm
58	6048063	1	Rear Cover Screen
59	2500204	1	Plug, 1/2" Hole
60	2501146	1	Plug, 1-1/4" Hole
61	2900002	1	Flat Washer, 5/8" SAE

## Front Axle Assembly 6048956



ITEM	PART NO.	QTY.	DESCRIPTION
1	6048635	1	Axle Weldment
2	2502194	2	Wheel
3	2900058	2	Flat Washer, 1/2" SAE
4	2503700	2	Retaining Ring, 1/2" External E-Type
5	2500013	2	Bearing, 1" Pillowblock
6	2900956	8	Flat Washer, 7/16" SAE
7	2900315	4	Cap Screw, Hex Hd., M10-1.5 x 35mm
8	2900304	4	Lock Nut, M10-1.5 Nylon Insert
9	2900266	1	Clevis Pin, 1/2 x 1-1/4"
10	2900276	1	Hairpin Cotter, 1/8" x 1/2" to 3/4"

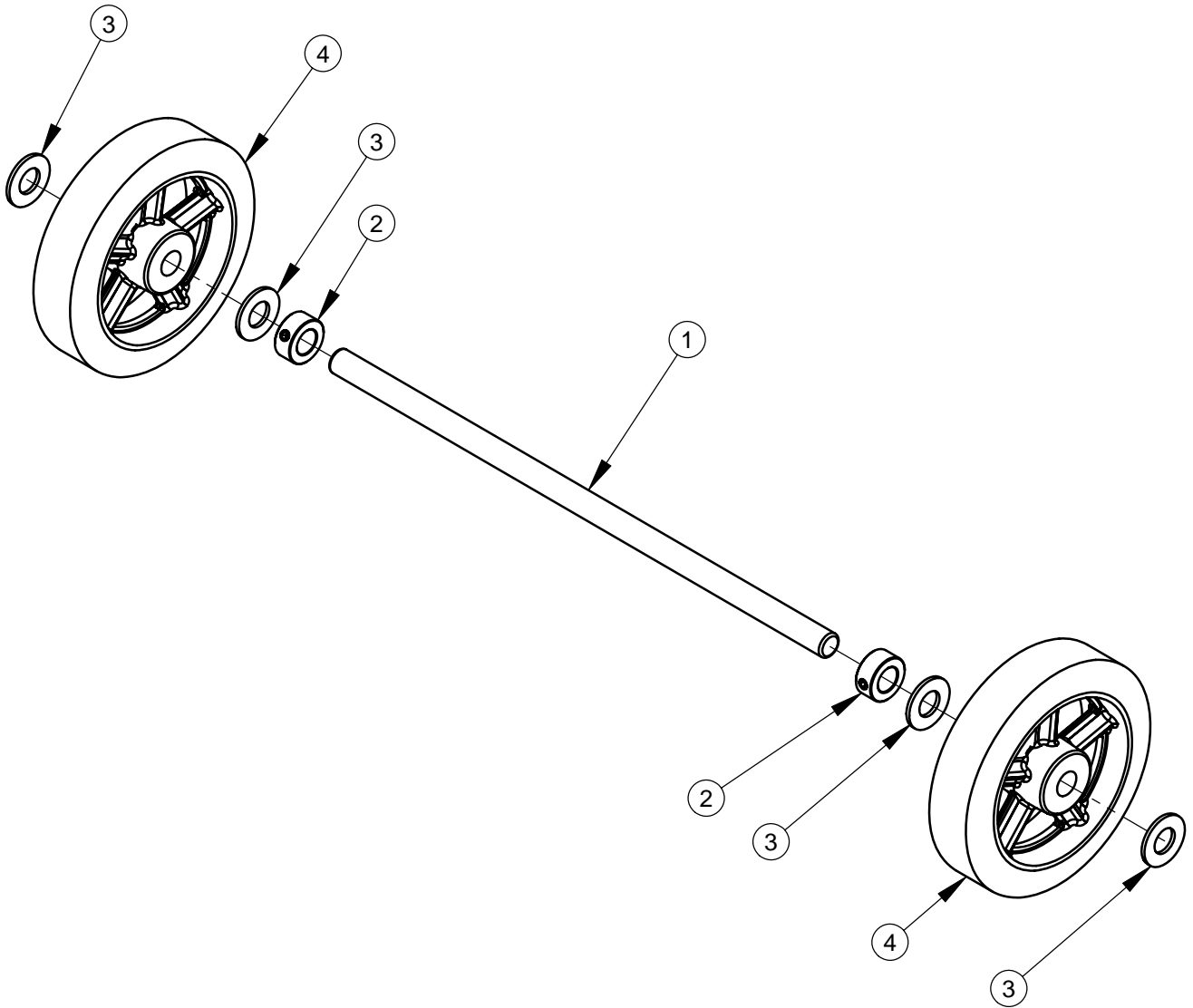
## Axle Stop Kit #6049027 FOR 24" BLADE ONLY



ITEM	PART NO.	QTY.	DESCRIPTION
1	6011546	2	Plate, Axle Stop
2	2900017	2	Lock Nut, #10-24 Nylon
3	2900054	2	Machine Screw, Hex Hd., #10-24 x 1"



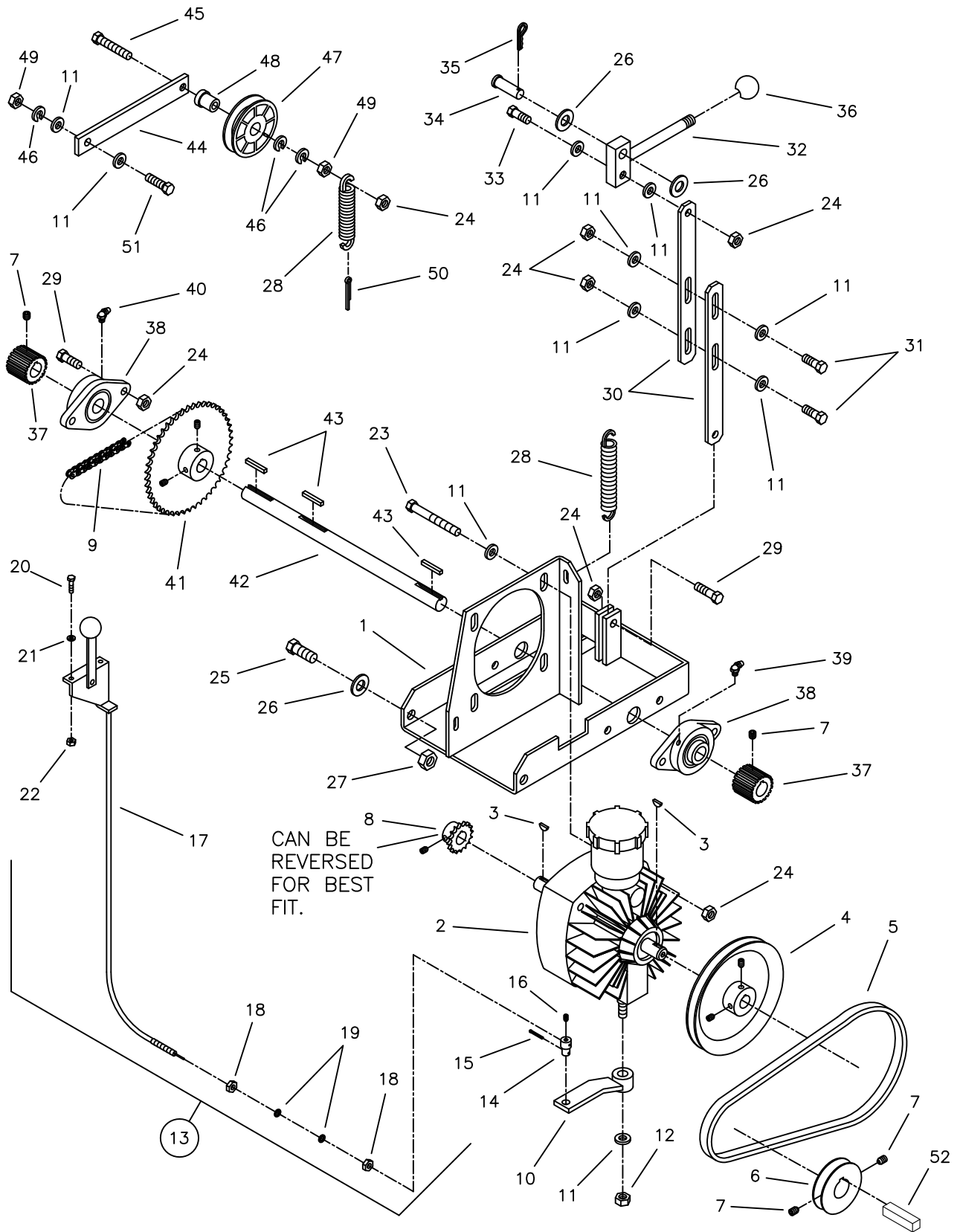
## Rear Axle Assembly 6048104



ITEM	PART NO.	QTY.	DESCRIPTION
1	6048105	1	Rear Axle
2	2500008	2	Set Collar, 5/8" with Set Screw
3	2900002	4	Flat Washer, 5/8" SAE
4	2500003	2	Wheel 6" x 1-1/2" x 5/8"

# Transmission Assembly

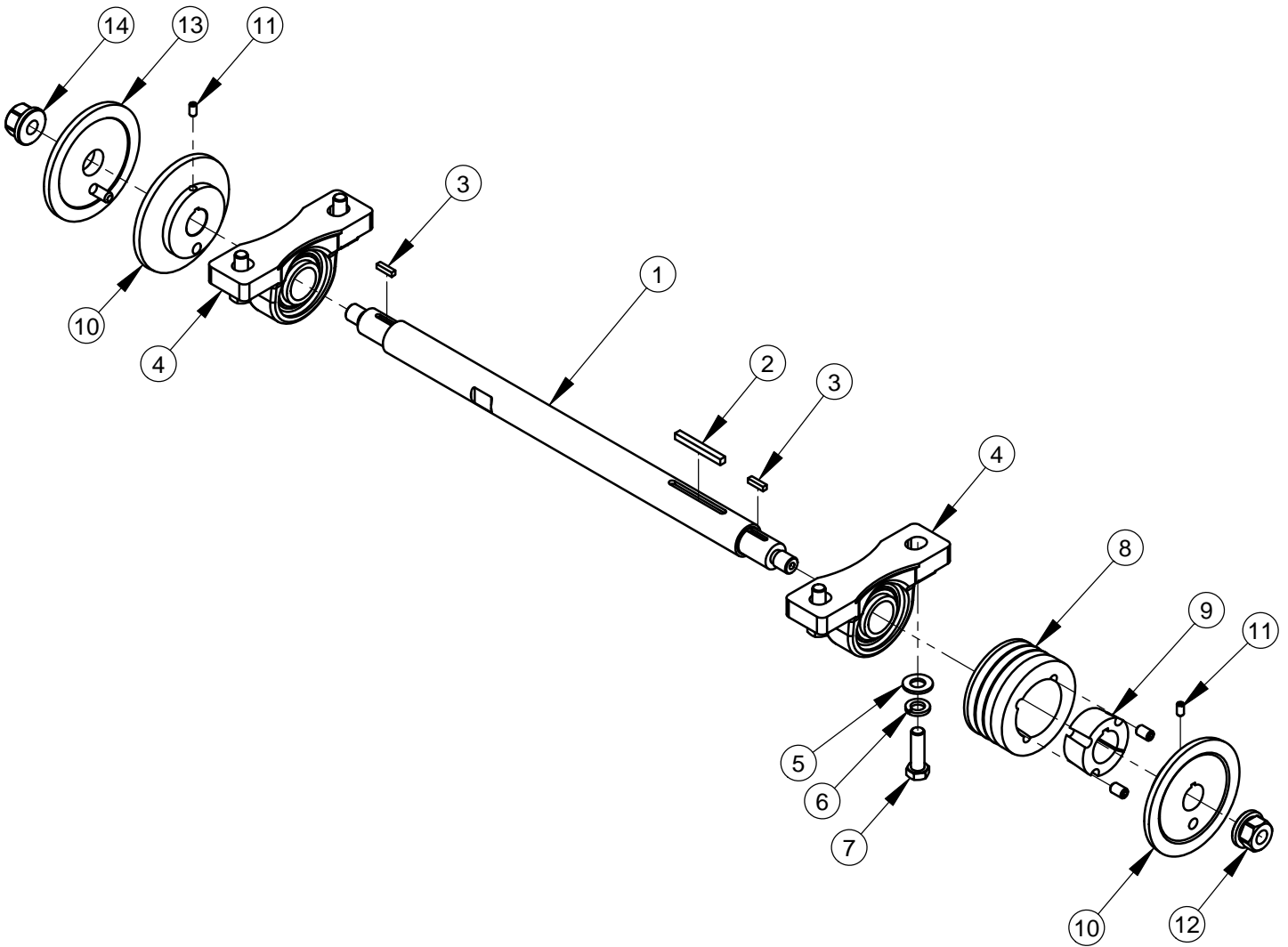
## #6048108



**6048108: CC1800XL, Transmission**  
**(Includes All Except Items #5 and #6)**

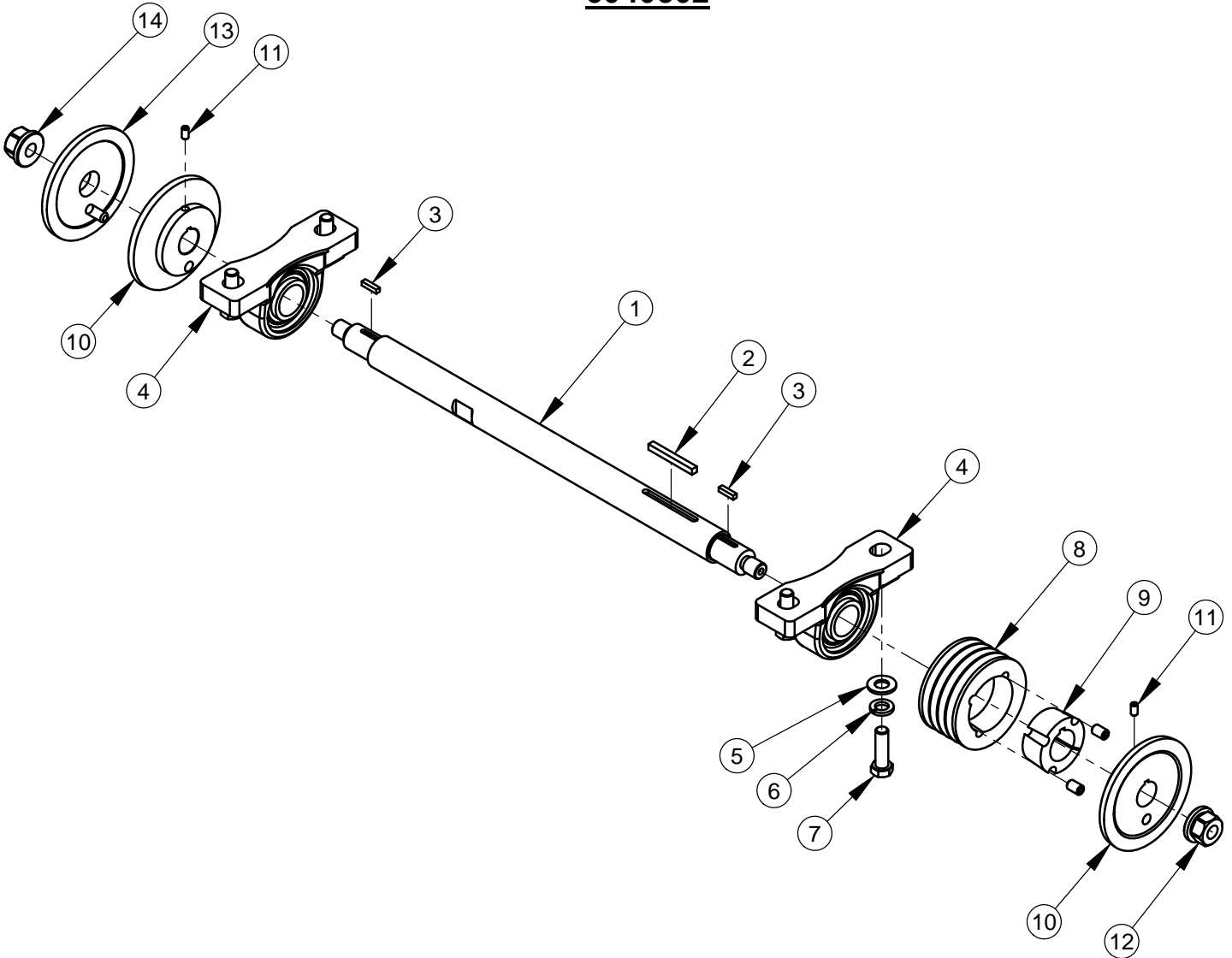
ITEM	PART NO.	QTY	DESCRIPTION
1	6048066	1	Transmission Platform Weldment
2	2600015	1	Transmission
	2700523	1	(Oil Reservoir Only)
3	2900068	2	Woodruff Key #404, 1/8" Wide x 1/2" Dia.
4	2500016	1	Pulley, 6" Dia. with Setscrews
5	2500632	1	V-Belt, 4L-410 (16BV, 20BV, 20H)
	2500635	1	V-Belt, 4L-420 (7.5E, 10E)
	2500033	1	V-Belt, 4L-430 (13BV, 13H)
6	6048196	1	Accessory Drive Pulley, 1" Bore (13BV, 13H, 16BV, 20BV)
	6048195	1	Accessory Drive Pulley, 1-1/8" Bore (20H Only)
7	2900036	4	Setscrew, Soc. Hd., 5/16"-18 x 1/4"
8	2500017	1	Sprocket, 12 Teeth with Setscrew
9	6048232	1	#35 Chain, 63 Pitch
10	6048211	1	Shift Lever
11	2900014	13	Flat Washer, 3/8" SAE
12	2900018	1	Lock Nut, 3/8"-16 Nylon
13	6048106	1	Transmission Speed Control Assembly (Includes #14 - #22)
14	6048212	1	Pivot Pin
15	2900034	1	Cotter Pin, 3/32" x 3/4"
16	2900059	1	Setscrew, Soc. Hd., #10-32 x 1/4"
17	2500076	1	Transmission Speed Control
18	2900186	2	Hex Nut, 1/4"-28
19	2900009	2	Flat Washer, 1/4" SAE
20	2900309	2	Capscrew, Hex Hd., M5 x 20mm
21	2900016	2	Flat Washer, #10 USS
22	2900301	2	Lock Nut, M5 Nylon
23	2900319	4	Capscrew, Hex Hd., M10 x 80mm
24	2900304	13	Lock Nut, M10 Nylon
25	2900330	2	Capscrew, Hex Hd., M12 x 30mm
26	2900058	4	Flat Washer, 1/2" SAE
27	2900327	2	Lock Nut, M12 Nylon
28	2500070	2	Spring, 3/4" Dia. x 4"
29	2900223	5	Capscrew, Hex Hd., M10 x 30mm
30	6049075	2	Linkage
31	2900333	2	Capscrew, Hex Hd., M10 x 25mm
32	6048057	1	Engagement Lever
33	2900315	1	Capscrew, Hex Hd., M10 x 35mm
34	2900277	1	Clevis Pin, 1/2" Dia. x 1-1/2"
35	2900276	1	Hair Pin Cotter, 1/2"
36	2400007	1	Knob, 1/2"-20
37	6048235	2	Wheel Drive
38	2500011	2	Flange Block Bearing, 3/4"
39	2900061	1	Grease Fitting, 1/4"-28 x 90°
40	2900184	1	Grease Fitting, 1/4"-28 x 45°
41	2500018	1	Sprocket, 48 Teeth with Setscrews
42	6048228	1	Drive Shaft
43	6010170	3	Key, 3/16" Sq. x 1"
44	6048085	1	Idler Arm
45	2900337	1	Capscrew, Hex Hd., M10 x 50mm (Full Thread)
46	2900321	3	Lock Washer, M10 Split
47	2500074	1	Idler Pulley With Bushing #48
48	2500246	1	Bushing Only
49	2900325	2	Hex Nut, M10
50	2900055	1	Cotter Pin, 3/16" x 1"
51	2900317	1	Capscrew, Hex Hd., M10 x 45mm
52	6011089	1	Key, 1/4" Sq. x 1" (For 1820XL & 1823XL Only)

**Blade Shaft Assembly**  
**Honda (GX390) Saws**  
**6040501**



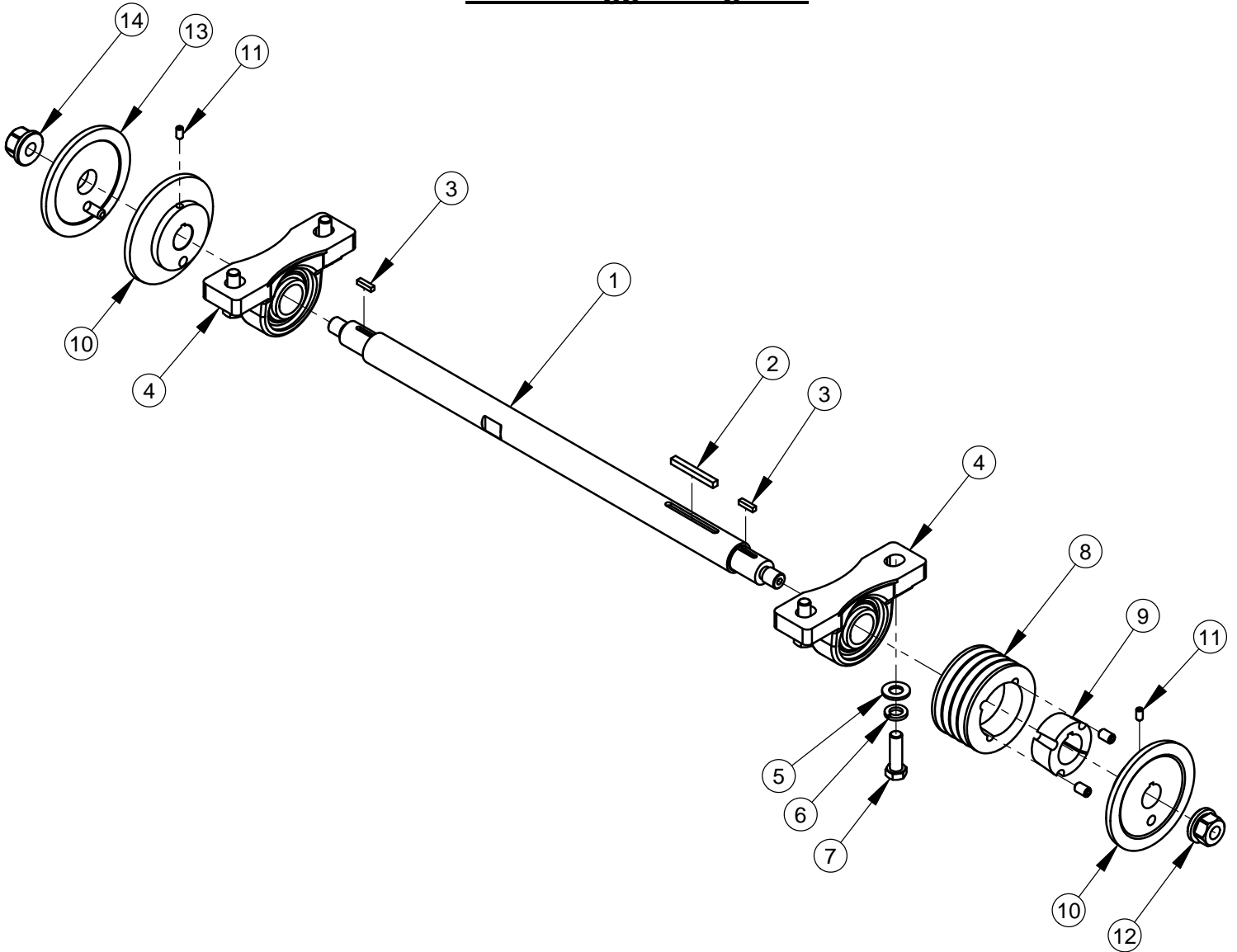
ITEM	PART NO.	QTY.	DESCRIPTION
1	6048866	1	Blade Shaft
2	6048134	1	Key, 1/4" Sq. x 2-1/4"
3	6048018	2	Key, 3/16" Sq. x 3/4"
4	2500365	2	Pillow Block Bearing, 1-1/4"
5	2900058	4	Flat Washer, 1/2" SAE
6	2900084	4	Lock Washer, 1/2" Split
7	2900331	4	Cap Screw, Hex Hd., M12-1.75 x 40mm
8	2500025	1	Sheave, 3.65-3 Groove
9	2500337	1	Taper Bushing, 1-1/4"
10	6048008	2	Inner Flange 4-1/2"
11	2900076	2	Set Screw, Soc. Hd., 1/4-20 x 1/2"
12	2900065	1	Flange Nut, 5/8-11 R.H.
13	6048009	1	Outer Flange, 4-1/2" w/ Pin
14	2900066	1	Flange Nut, 5/8-11, L. Hand

**Blade Shaft Assembly**  
**Honda (GX630), 16 HP Briggs Vanguard,**  
**6040502**



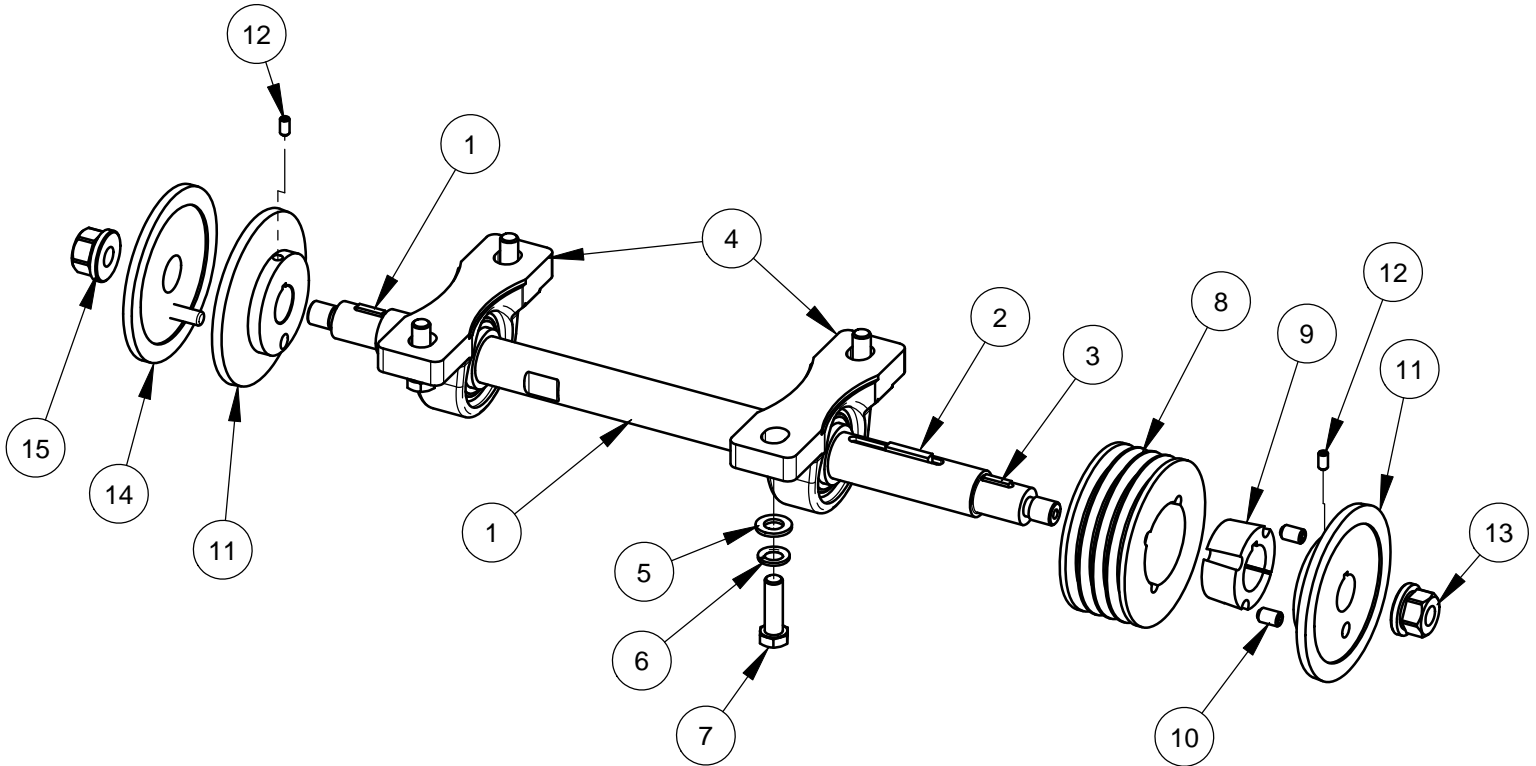
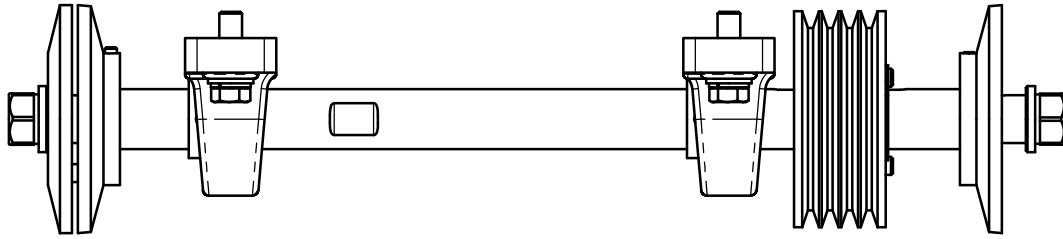
ITEM	PART NO.	QTY.	DESCRIPTION
1	6048866	1	Blade Shaft
2	6048134	1	Key, 1/4" Sq. x 2-1/4"
3	6048018	2	Key, 3/16" Sq. x 3/4"
4	2500365	2	Pillow Block Bearing, 1-1/4"
5	2900058	4	Flat Washer, 1/2" SAE
6	2900084	4	Lock Washer, 1/2" Split
7	2900331	4	Cap Screw, Hex Hd., M12-1.75 x 40mm
8	2500621	1	Sheave, 3V-3.65-4 Groove (1610)
9	2500337	1	Taper Bushing, 1-1/4"
10	6048008	2	Inner Flange 4-1/2"
11	2900076	2	Set Screw, Soc. Hd., 1/4-20 x 1/2"
12	2900065	1	Flange Nut, 5/8-11 R.H.
13	6048009	1	Outer Flange, 4-1/2" w/ Pin
14	2900066	1	Flange Nut, 5/8-11, L. Hand

**6040503 Blade Shaft Assembly**  
**23 HP Briggs Vanguard**



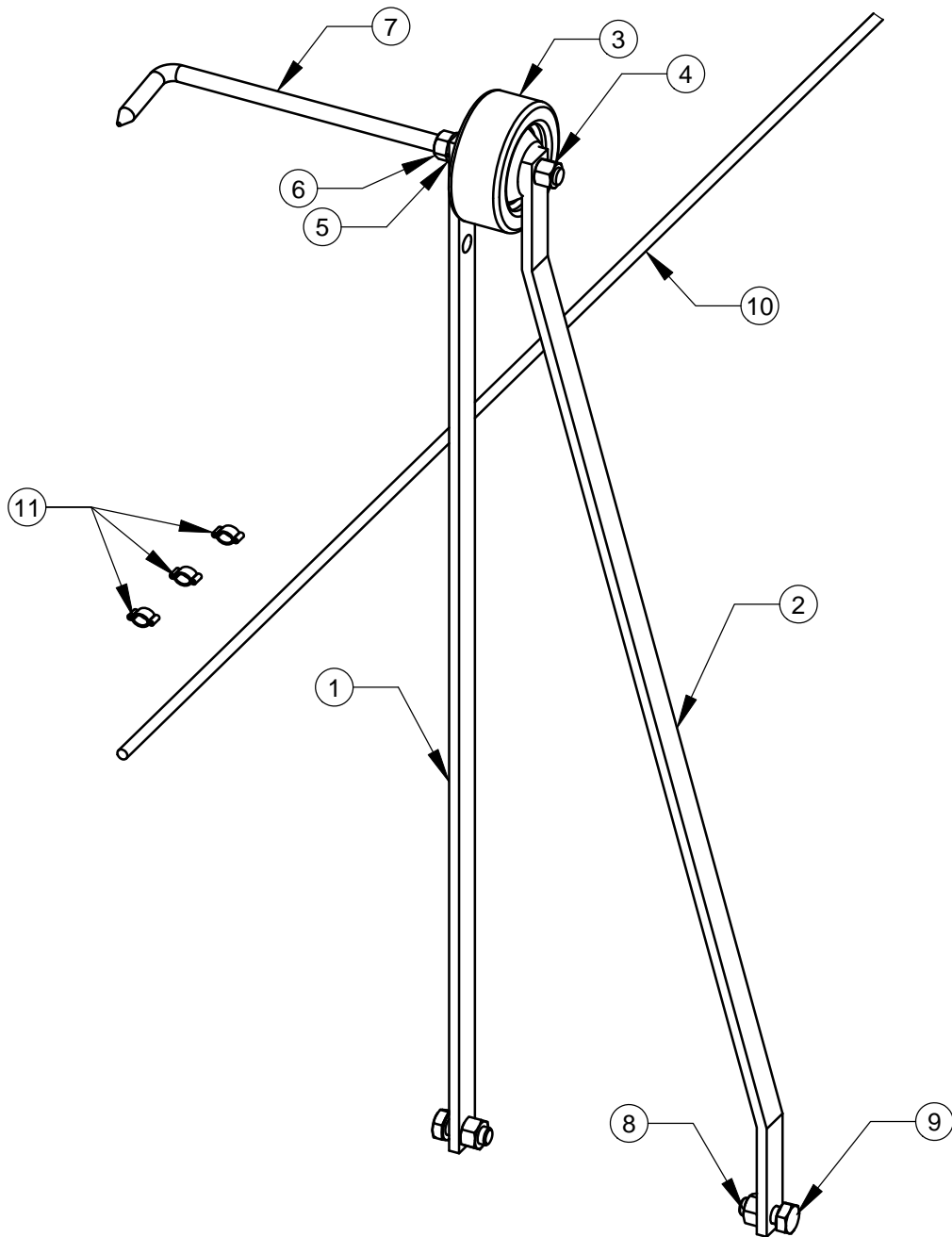
ITEM	PART NO.	QTY.	DESCRIPTION
1	6048865	1	Blade Shaft
2	6048134	1	Key, 1/4" Sq. x 2-1/4"
3	6048018	2	Key, 3/16" Sq. x 3/4"
4	2500365	2	Pillow Block Bearing, 1-1/4"
5	2900058	4	Flat Washer, 1/2" SAE
6	2900084	4	Lock Washer, 1/2" Split
7	2900331	4	Cap Screw, Hex Hd., M12-1.75 x 40mm
8	2500621	1	Sheave, 3V-3.65-4 Groove (1610)
9	2500337	1	Taper Bushing, 1-1/4"
10	6048008	2	Inner Flange 4-1/2"
11	2900076	2	Set Screw, Soc. Hd., 1/4-20 x 1/2"
12	2900065	1	Flange Nut, 5/8-11 R.H.
13	6048009	1	Outer Flange, 4-1/2" w/ Pin
14	2900066	1	Flange Nut, 5/8-11, L. Hand

## 6040518 BLADE SHAFT ASSEMBLY, 24" BLADE



ITEM	PART NO.	QTY.	DESCRIPTION
1	6048866	1	Blade Shaft
2	6010169	1	Key, 1/4" Sq. x 1-1/4"
3	6048018	2	Key, 3/16" Sq. x 3/4"
4	2500365	2	Pillow Block Bearing, 1-1/4"
5	2901357	4	Flat Washer, M12
6	2900699	4	Lock Washer, M12 Split
7	2900331	4	Cap Screw, Hex Hd., M12 x 40mm
8	2506315	1	Sheave, 3V-4.50-4 Groove
9	2500337	1	Taper Bushing, 1-1/4"
10	2900484	2	Set Screw, Soc. Hd., 3/8-16 x 5/8"
11	6048238	2	Inner Flange, 4-3/4"
12	2900076	2	Set Screw, Soc. Hd., 1/4-20 x 1/2"
13	2900065	1	Flange Nut, 5/8-11 R.H.
14	6048240	1	Outer Flange, 4-3/4", W/Pin
15	2900066	1	Flange Nut, 5/8-11, L. Hand

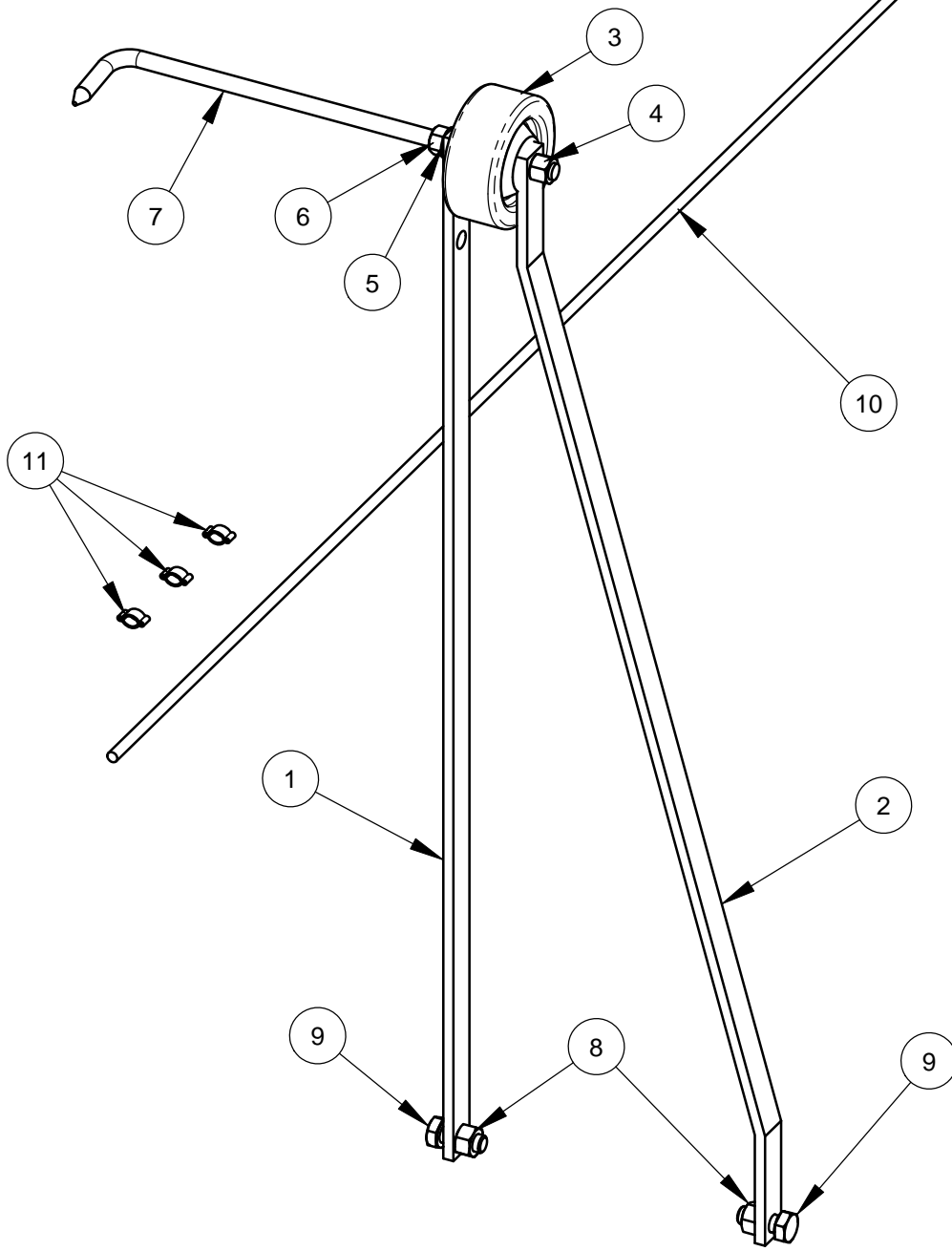
**Pointer Assembly**  
**#6048080**



ITEM NO.	PART NUMBER	QTY.	DESCRIPTION
1	6048069	1	Pointer Bar - Straight
2	6048070	1	Pointer Bar - Offset
3	2500624	1	Wheel, 3"
4	2900018	1	Lock Nut, 3/8-16 Nylon
5	2900006	1	Lock Washer, 3/8" Split
6	2900033	1	Hex Nut, 3/8-16
7	2900032	1	Pointer Rod
8	2900304	2	Lock Nut, M10-1.5 Nylon Insert
9	2900333	2	Cap Screw, Hex Hd., M10-1.5 x 25mm
10	6048078	1	Rope, 1/4 x 78"
11	3200221	3	Pinch Clamp, Two Ear

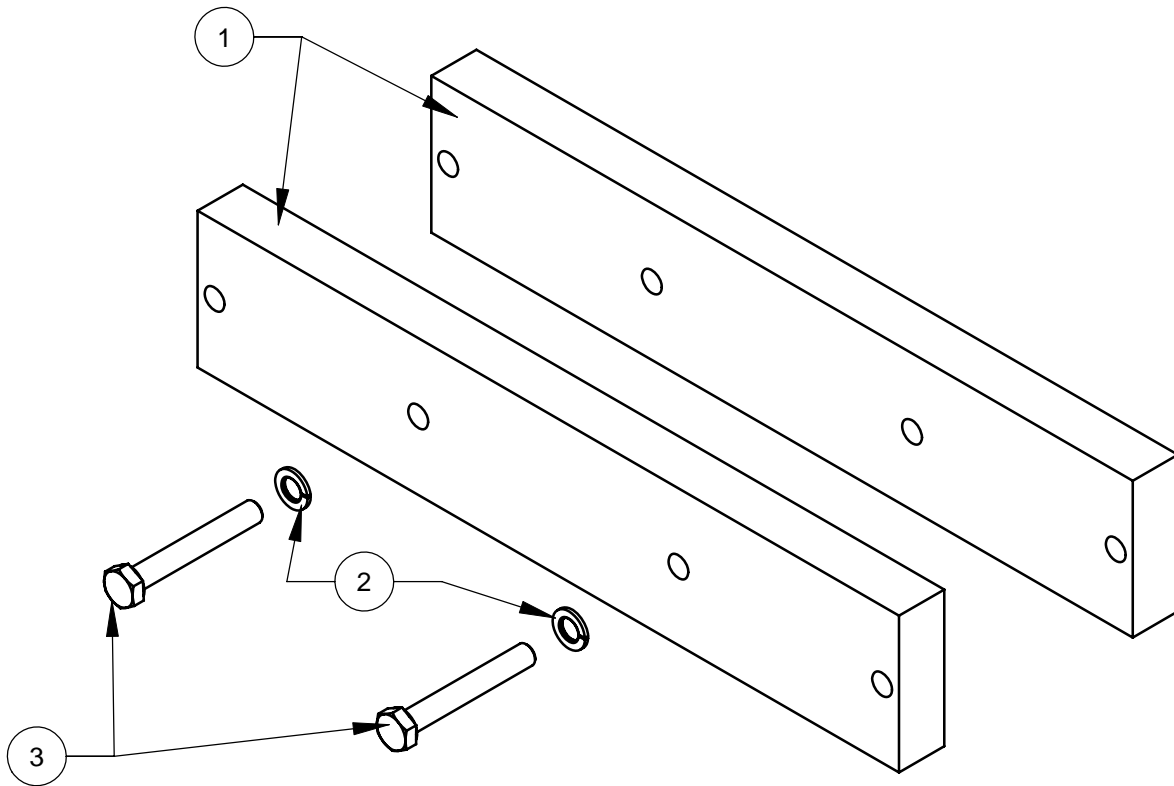


**6047994 Front Pointer Assembly**  
**23HP Briggs-Vanguard**



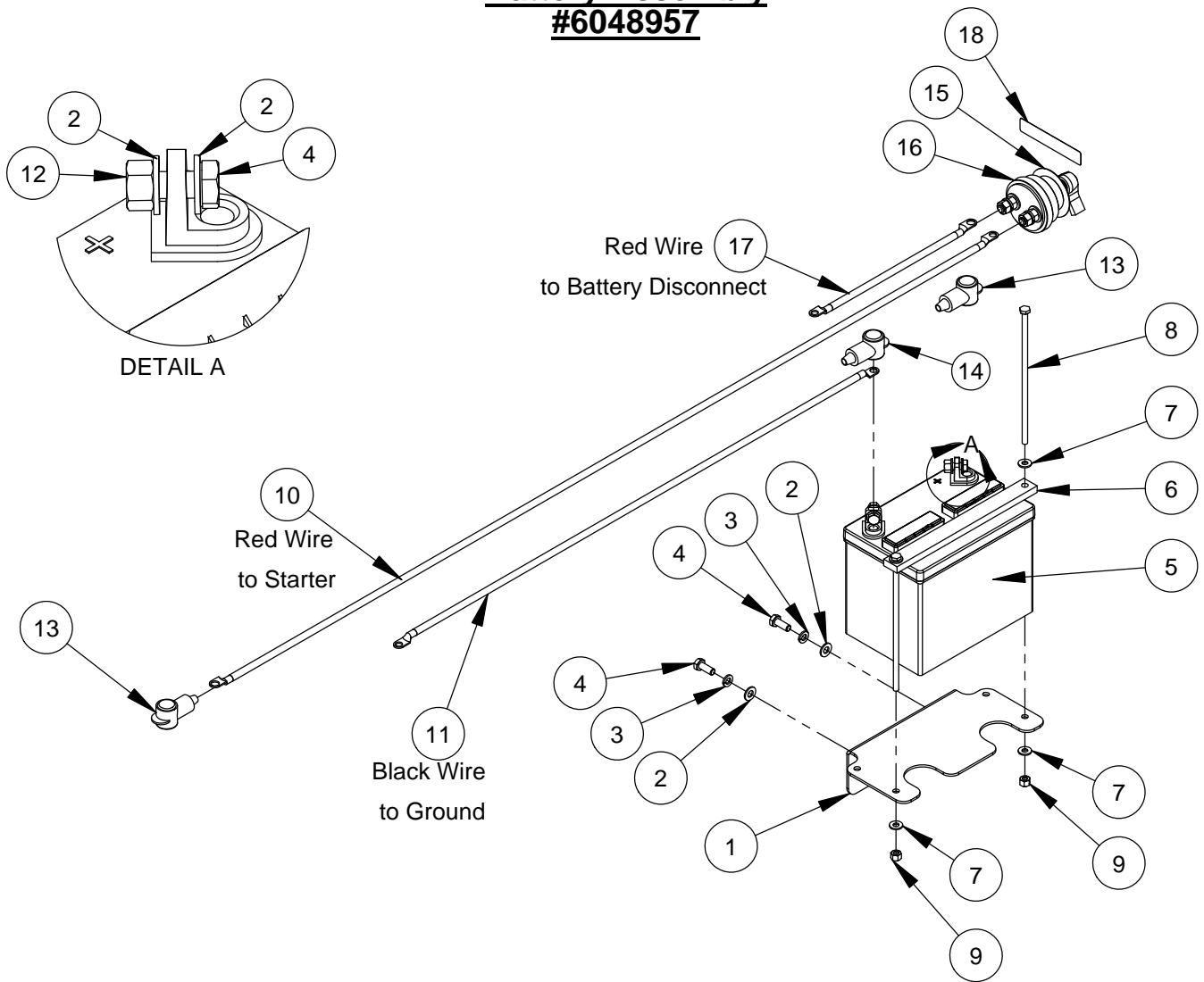
ITEM	PART NO.	QTY.	DESCRIPTION
1	6048069	1	Pointer Bar - Straight
2	6048070	1	Pointer Bar - Offset
3	2500624	1	Wheel, 3"
4	2900018	1	Lock Nut, 3/8-16 Nylon
5	2900321	1	Lock Washer, M10 Split
6	2900033	1	Hex Nut, 3/8-16
7	2900743	1	Pointer Rod, 11"
8	2900304	2	Lock Nut, M10-1.5 Nylon Insert
9	2900333	2	Cap Screw, Hex Hd., M10-1.5 x 25mm
10	6048078	1	Rope, 1/4 x 78"
11	3200221	3	Pinch Clamp, Two Ear

**Weight Bar Assembly**  
**#6048959**



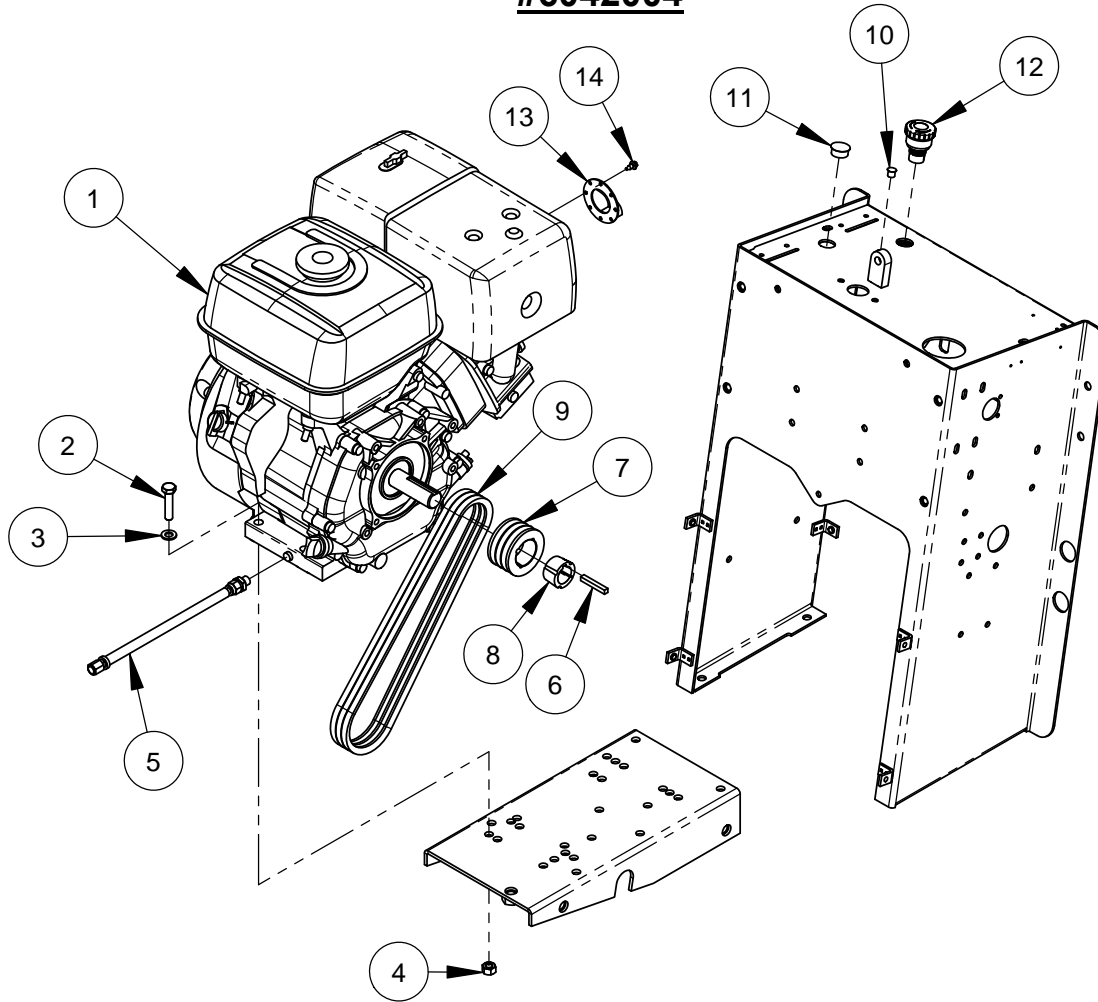
ITEM NO.	PART NUMBER	QTY.	DESCRIPTION
1	6048067	2	Saw Weight, 13 Pound
2	2900321	2	Lock Washer, M10 Split
3	2900334	2	Cap Screw, Hex Hd., M10 x 70mm

## Battery Assembly #6048957



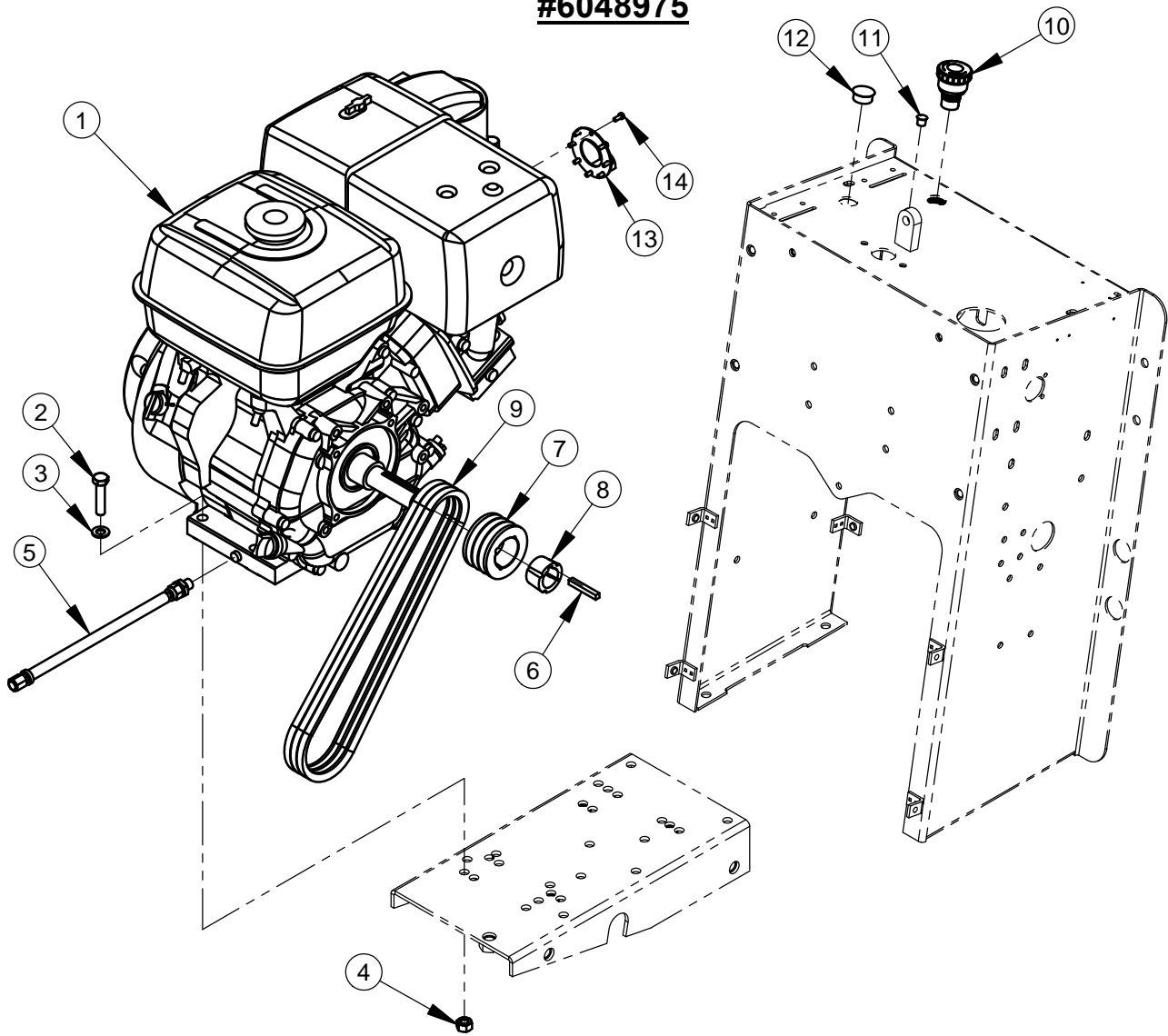
ITEM NO.	PART NO.	QTY.	DESCRIPTION
1	6048327	1	Bracket
2	2900022	6	Flat Washer, 5/16" SAE
3	2900031	2	Lock Washer, 5/16" Split
4	2900329	4	Cap Screw, Hex Hd., M8-1.25 x 20mm
5	2500584	1	Battery, 12 Volt Group Size U1
6	4646122	1	BatterySupport
7	2900009	4	Flat Washer, 1/4" SAE
8	2901405	2	Cap Screw, Hex Hd., 1/4-20 x 7-1/2"
9	2900010	2	Lock Nut, 1/4-20 Nylon
10	6048091	1	Battery Cable Assy., Red
11	6048092	1	Battery Cable Assy., Black
12	2900303	2	Lock Nut, M8-1.25 Nylon Insert
13	2800197	2	Battery Boot, Small (Red)
14	2800198	1	Battery Boot, Small (Black)
15	2800566	1	Face Plate, Battery Disconnect
16	2800565	1	Battery Disconnect Switch
17	2800570	1	Battery Cable Assy., Red
18	1800846	1	Label, Battery Disconnect

**CC1813BXL Briggs Engine Assembly**  
**#6042004**



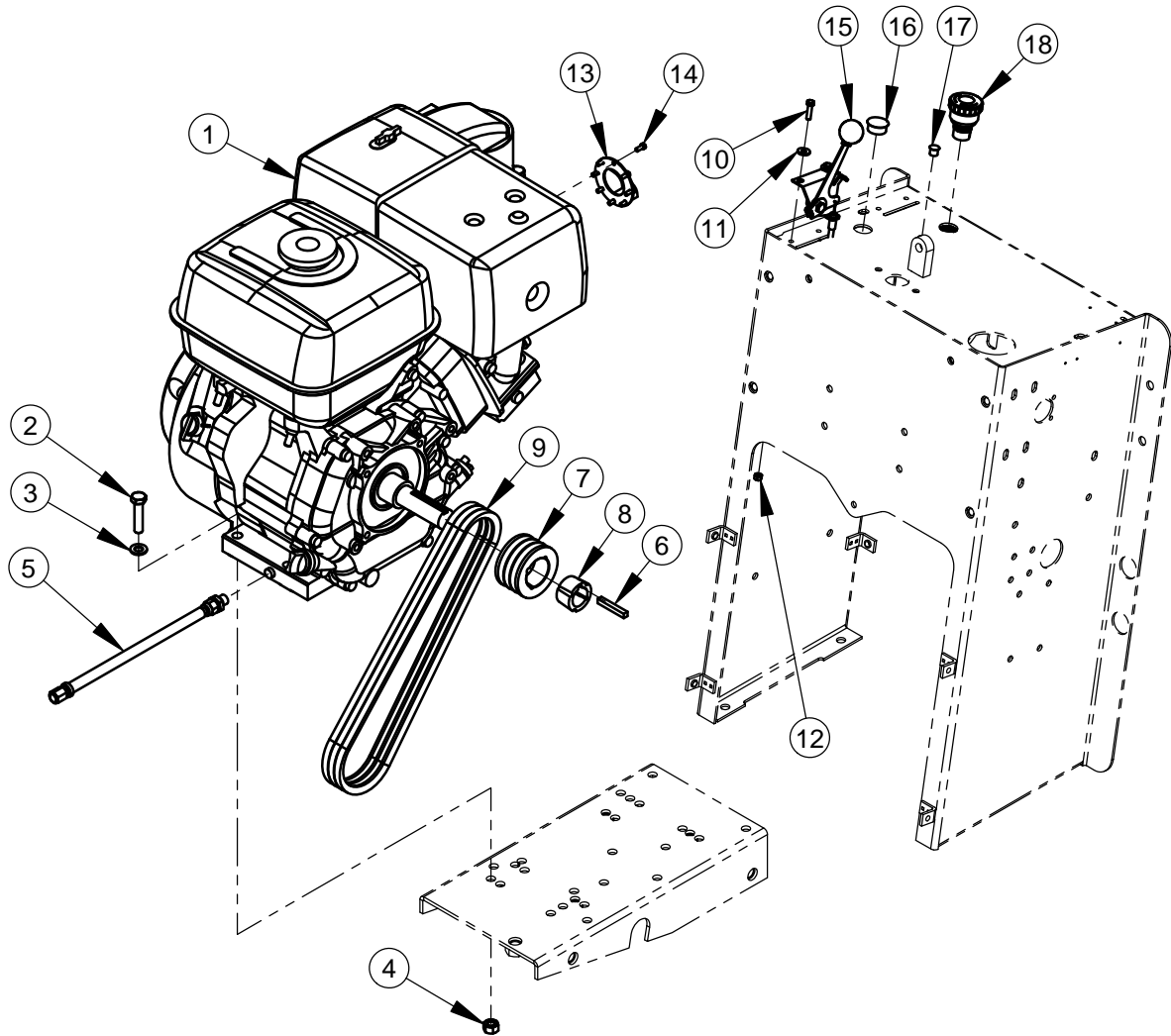
ITEM	PART NO.	QTY.	DESCRIPTION
1	2600689	1	420cc Briggs Engine.
2	2900317	4	Cap Screw, Hex Hd., M10-1.5 x 45mm
3	2901356	4	Flat Washer, M10
4	2900304	4	Lock Nut, M10 Nylon
5	6048042	1	Oil Drain Hose Assembly
6	2400299	1	Key, 1/4 x 1-3/4"
7	2500022	1	Sheave, 2.65 - 3 Groove
8	2500026	1	Taper Bushing, 1" w/ Set Screws
9	2500035	3	V-Belt, 3VX335
10	2500462	1	Plug, 3/8" Hole
11	2500549	1	Plug, 7/8" Hole
12	2801367	1	E-Stop Switch
13	2703419	1	Muffler Deflector, 420cc Briggs Engine
14	2703420	3	Screw for Muffler Deflector, 420cc Briggs
15	6048899	1	CC1800 Wire Harness (Not Shown)

**CC1813XL Honda Engine Assembly**  
**#6048975**



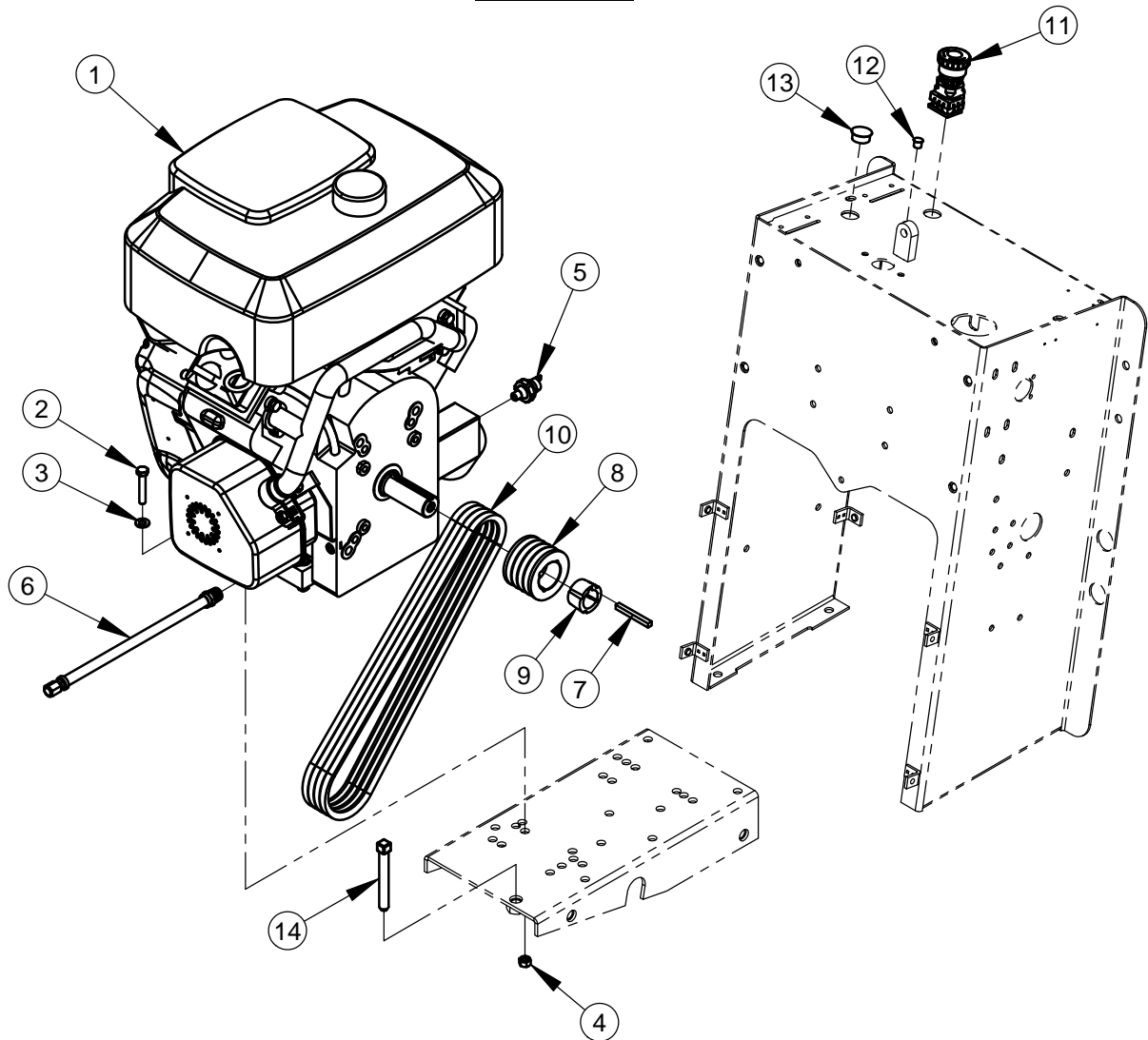
ITEM	PART NO.	QTY.	DESCRIPTION
1	2600116	1	Engine, 11 HP Honda GX390
2	2900317	4	Cap Screw, Hex Hd., M10-1.5 x 45mm
3	2901356	4	Flat Washer, M10
4	2900304	4	Lock Nut, M10-1.5 Nylon Insert
5	6048042	1	Oil Drain Hose Assembly
6	2400299	1	Key, 1/4 x 1-3/4"
7	2500022	1	Sheave, 2.65 - 3 Groove
8	2500026	1	Taper Bushing, 1" w/ Set Screws
9	2500035	3	V-Belt, 3VX335
10	2801367	1	E-Stop Switch
11	2500462	1	Plug, 3/8" Hole
12	2500549	1	Plug, 7/8" Hole
13	2700554	1	Muffler Deflector, 11-13 HP Honda
14	2900206	8	Screw, Self Tapping, #8-32 x 3/8"
15	6048899	1	E-Stop Wire Harness (Not Shown)

## CC1813XL Honda Engine Assembly w/ Electric Start #6049041



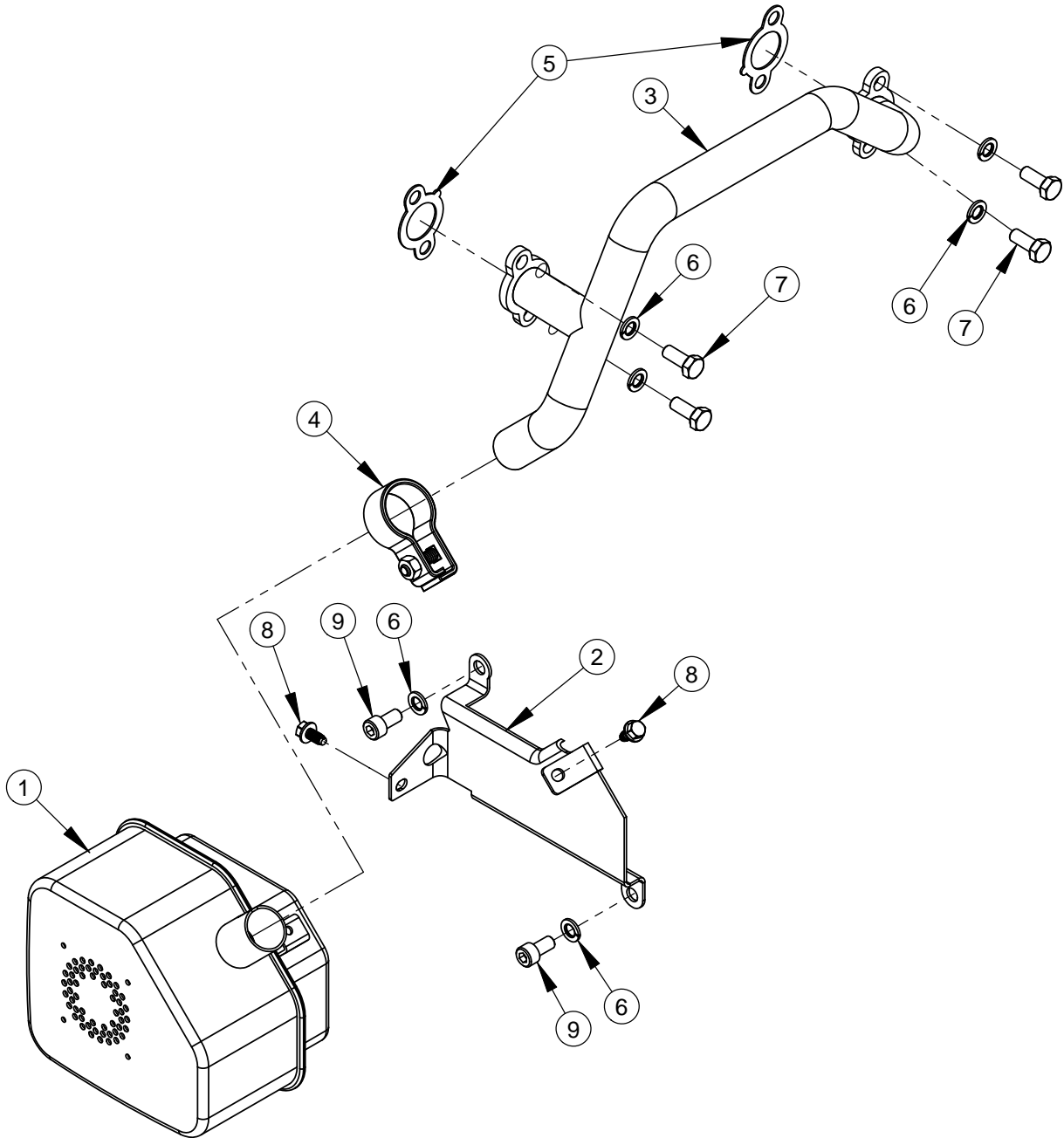
ITEM	PART NO.	QTY.	DESCRIPTION
1	2600277	1	Engine, 11 HP Honda GX390ES
2	2900317	4	Cap Screw, Hex Hd., M10-1.5 x 45mm
3	2901356	4	Flat Washer, M10
4	2900304	4	Lock Nut, M10-1.5 Nylon Insert
5	6048042	1	Oil Drain Hose Assembly
6	2400299	1	Key, 1/4 x 1-3/4"
7	2500022	1	Sheave, 2.65 - 3 Groove
8	2500026	1	Taper Bushing, 1" w/ Set Screws
9	2500035	3	V-Belt, 3VX335
10	2900309	2	Cap Screw, Hex Hd., M5-0.8 x 20mm
11	2900926	2	Flat Washer, M5
12	2900301	2	Lock Nut, M5-0.8 Nylon Insert
13	2700554	1	Muffler Deflector, 11-13 HP Honda
14	2900206	8	Screw, Self Tapping, #8-32 x 3/8"
15	2500810	1	Throttle Control, 36"
16	2500549	1	Plug, 7/8" Hole
17	2500462	1	Plug, 3/8" Hole
18	2801367	1	E-Stop Switch
19	6048899	1	E-Stop Wire Harness (Not Shown)

## CC1816XL Briggs-Vanguard Engine Assembly #6048976



ITEM	PART NO.	QTY.	DESCRIPTION
1	2601702	1	Engine, 16 HP Briggs-Vanguard
2	2900336	4	Cap Screw, Hex Hd., M8-1.25 x 45mm
3	2900022	4	Flat Washer, 5/16" SAE
4	2900303	4	Lock Nut, M8-1.25 Nylon Insert
5	2703197	1	Oil Pressure Shutoff Switch
6	6048040	1	Oil Drain Hose Assembly, 1/4" x 10"
7	6048134	1	Key, 1/4" Sq. x 2-1/4"
8	2500620	1	Sheave 2.65-4 Groove
9	2500026	1	Taper Bushing, 1" w/ Set Screws
10	2500036	4	V-Belt, 3VX355
11	2801367	1	E-Stop Switch
12	2500462	1	Plug, 3/8" Hole
13	2500549	1	Plug, 7/8" Hole
14	2901578	1	Setscrew, Sq. Hd., M12 x 90mm
15	6048875	1	E-Stop Wire Harness (Not Shown)

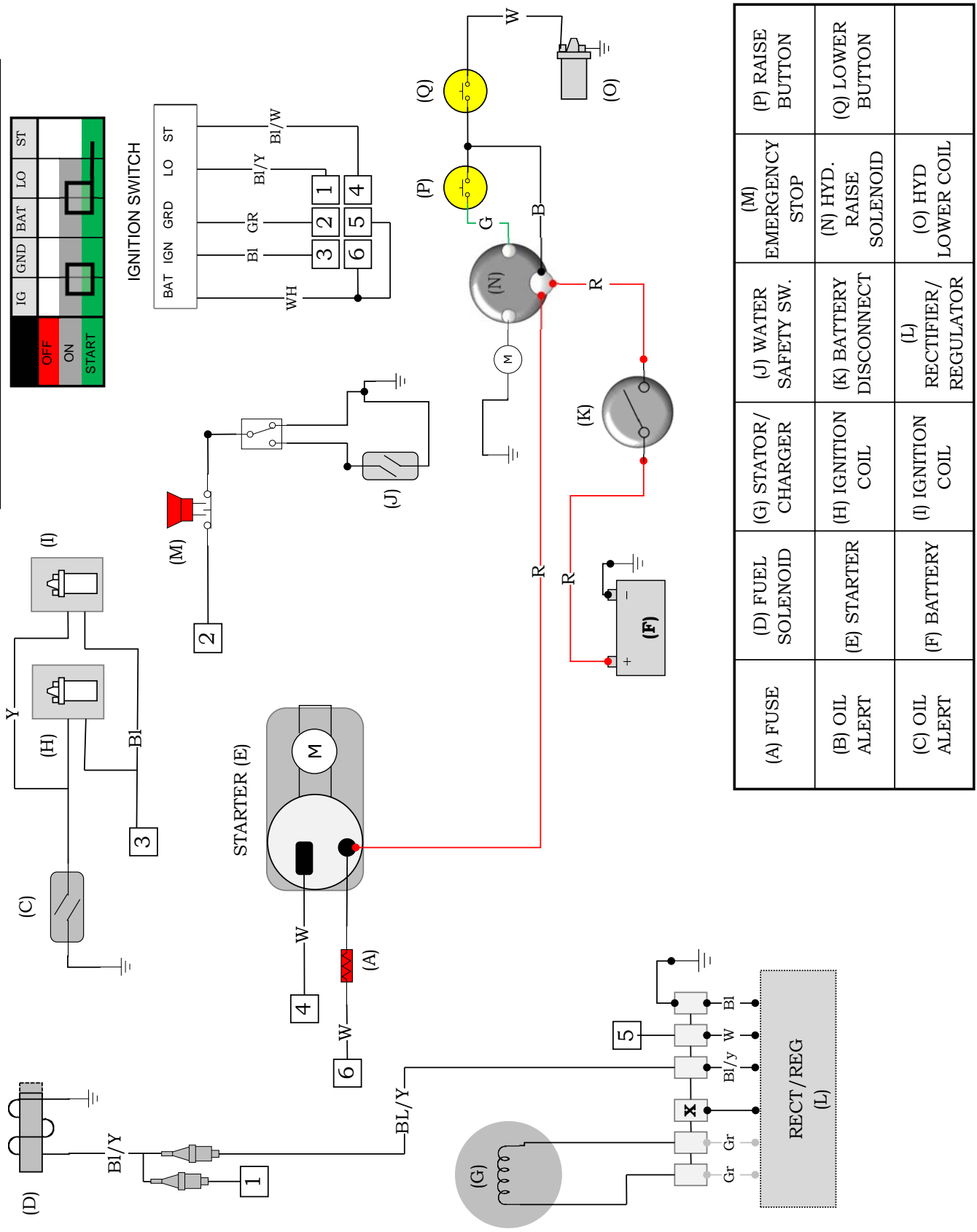
## Muffler Assembly (16HP Briggs) #6010870



ITEM	PART NO.	QTY.	DESCRIPTION
1	2704920	1	Muffler
2	2704921	1	Bracket, Muffler
3	2704922	1	Exhaust Manifold
4	2704923	1	Clamp, Muffler, 1-1/4"
5	2704924	2	Exhaust Gasket
6	2900763	6	Lock Washer, M8 Split
7	2900329	4	Cap Screw, Hex Hd., M8-1.25 x 20mm
8	2901300	2	Tap Screw, Hex Hd., 1/4-20 x 1/2"
9	2900267	2	Cap Screw, Soc. Hd., M8-1.25 x 16mm

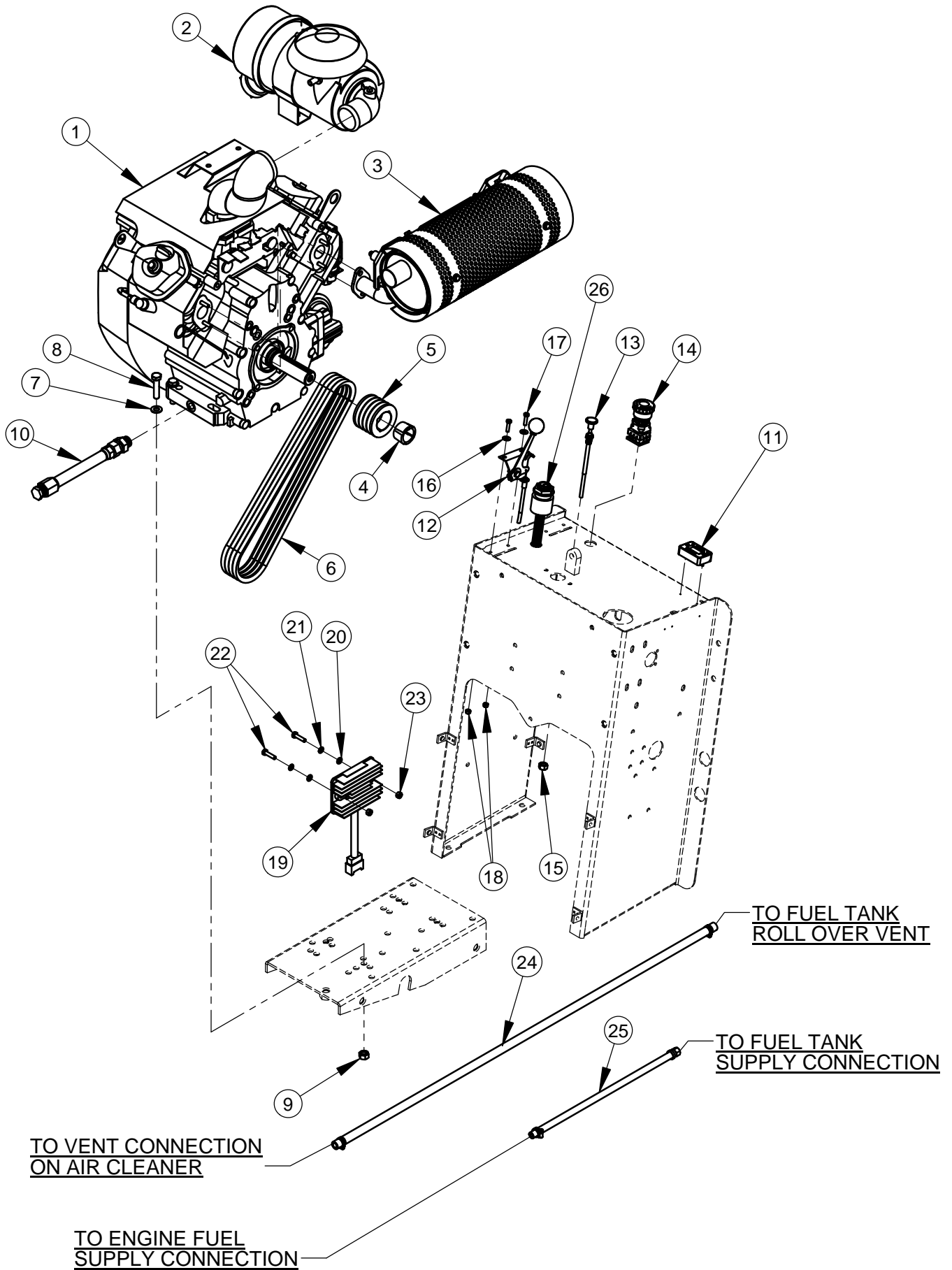


# NEW V-TWIN HONDA



(A) FUSE	(D) FUEL SOLENOID	(G) STATOR/CHARGER	(J) WATER SAFETY SW.	(M) EMERGENCY STOP	(P) RAISE BUTTON
(B) OIL ALERT	(E) STARTER	(H) IGNITION COIL	(K) BATTERY DISCONNECT	(N) HYD. RAISE SOLENOID	(Q) LOWER BUTTON
(C) OIL ALERT	(F) BATTERY	(I) IGNITION COIL	(L) RECTIFIER/REGULATOR	(O) HYD LOWER COIL	

**CC1820XL Honda Engine Assembly  
W/ Electric Start 6048977**

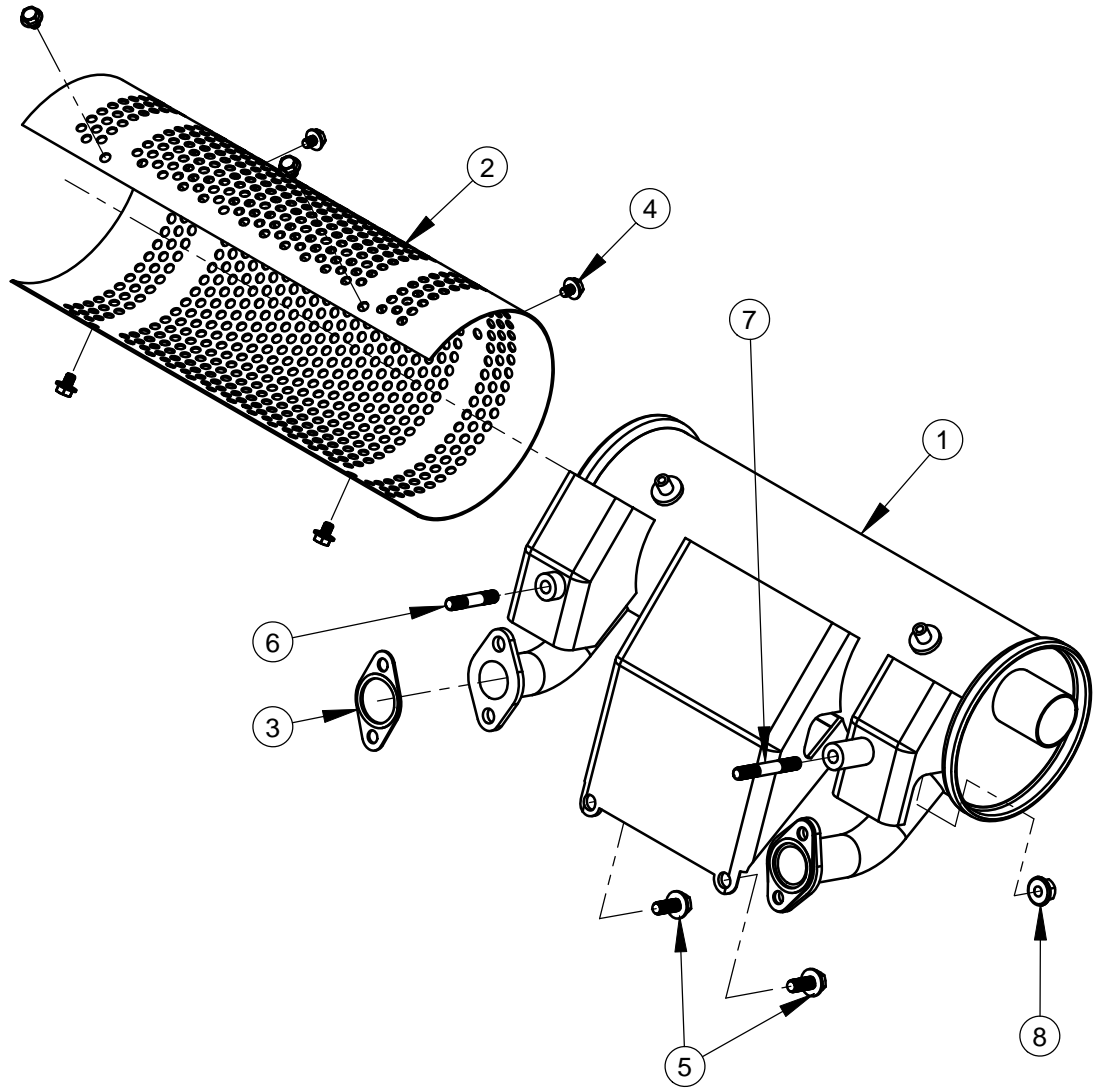


**CC1820XL Honda Engine Assembly**  
**W/ Electric Start 6048977**

ITEM	PART NO.	QTY.	DESCRIPTION
1	2600644	1	Engine, 20.8 HP Honda (GX630)
2	2703556	1	Air Cleaner Assembly
3	2703139	1	Muffler Assembly, High Mount, Left
4	2500027	1	Taper Bushing, 1-1/8" W/ Setscrews & Key
5	2500620	1	Sheave 2.65-4 Groove
6	2500036	4	V-Belt, 3VX355
7	2900014	4	Flat Washer, 3/8" SAE
8	2900317	4	Cap Screw, Hex Hd., M10-1.5 x 45mm
9	2900304	4	Lock Nut, M10-1.5 Nylon Insert
10	6048245	1	Oil Drain Hose Assembly
11	2801502	1	Tach/Hour Meter, W/#6 Screws
12	2500810	1	Throttle Control, 36"
13	2500377	1	Choke Cable
14	2801367	1	E-Stop Switch
15	2900148	1	Hex Nut, 3/8-24
16	2900016	2	Flat Washer, #10 USS
17	2900309	2	Cap Screw, Hex Hd., M5-0.8 x 20mm
18	2900301	2	Lock Nut, M5-0.8 Nylon Insert
19	2701670	1	Rectifier Assembly
20	2901494	2	Flat Washer, M6
21	2900765	2	Lock Washer, M6 Split
22	2900311	2	Cap Screw, Hex Hd., M6-1.0 x 25mm
23	2900302	2	Lock Nut, M6-1.0 Nylon Insert
24	6047218	1	Vent Hose Assy., 3/8 x 40"
25	6030602	1	Fuel Line Assembly
26	6049059	1	Wire Harness Assembly, Honda

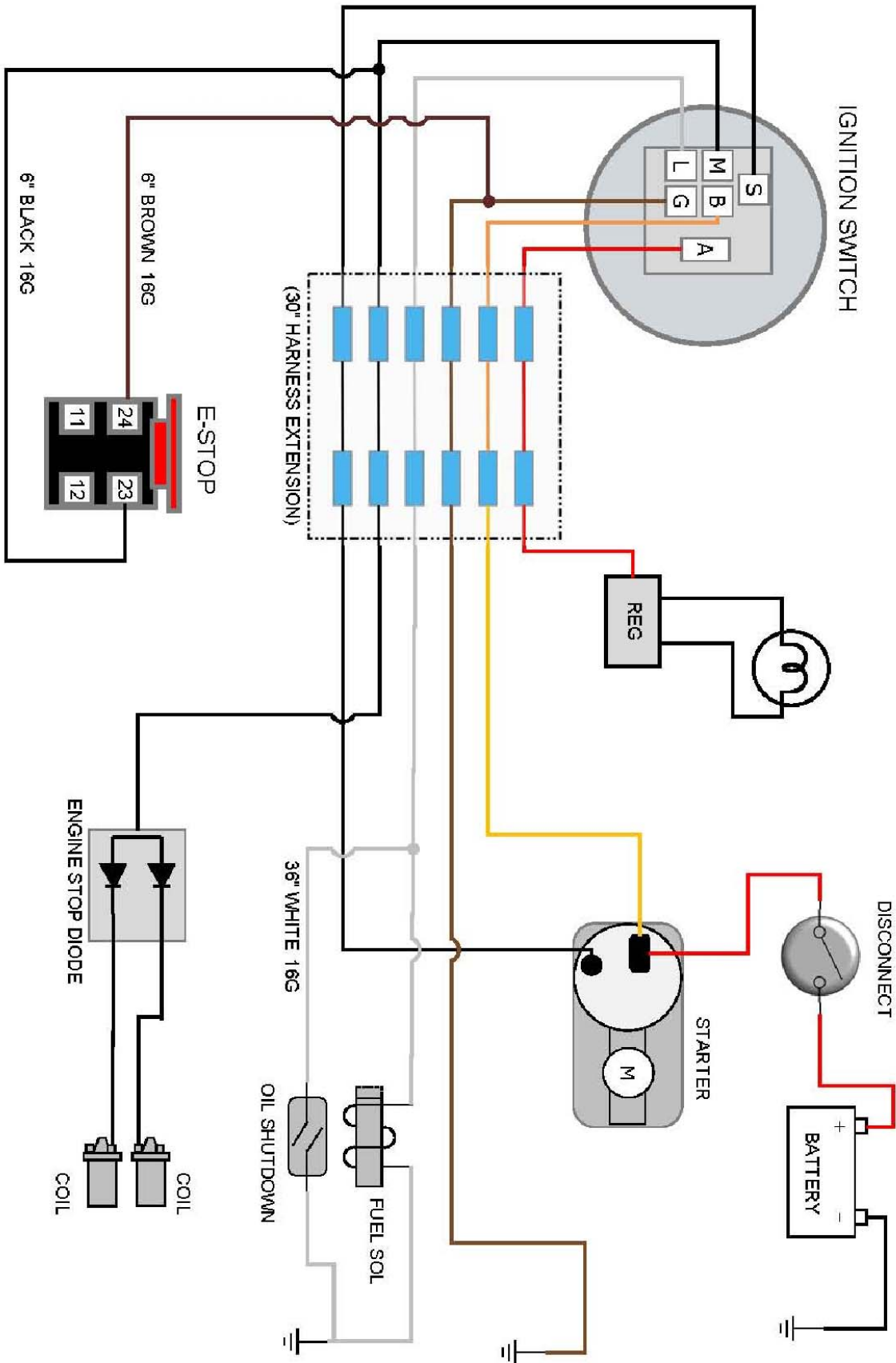
● 6049059 INCLUDES THE IGNITION SWITCH ASSEMBLY 6049057  
AND THE ENGINE TO IGNITION SWITCH HARNESS ASSEMBLY 6040958  
BOTH ARE AVAILABLE SEPARATELY.

**20HP Honda High Mount with Left Side Exhaust**  
**#2703139**

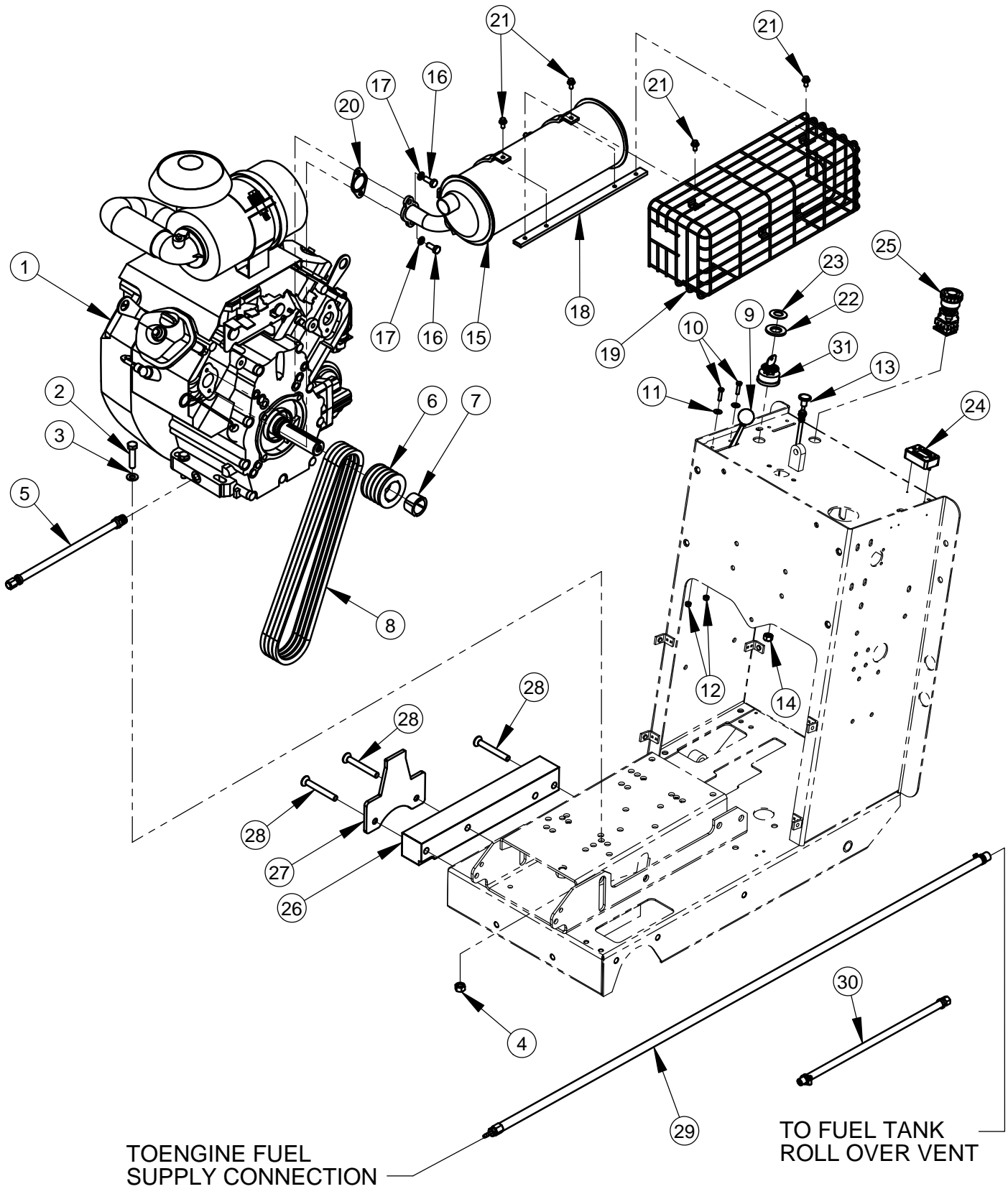


ITEM	QTY.	DESCRIPTION
1	1	Honda Muffler
2	1	Muffler Protector
3	2	Exhaust Gasket
4	6	Cap Screw, Hex Flange Hd., M6 x 8mm
5	2	Cap Screw, Hex Flange Hd., M8 x 20mm
6	1	Stud, Bolt, M8 x 45mm
7	1	Stud, Bolt, M8 x 60mm
8	2	Hex Nut Flanged, M8

# CC1823 Wiring Schematic



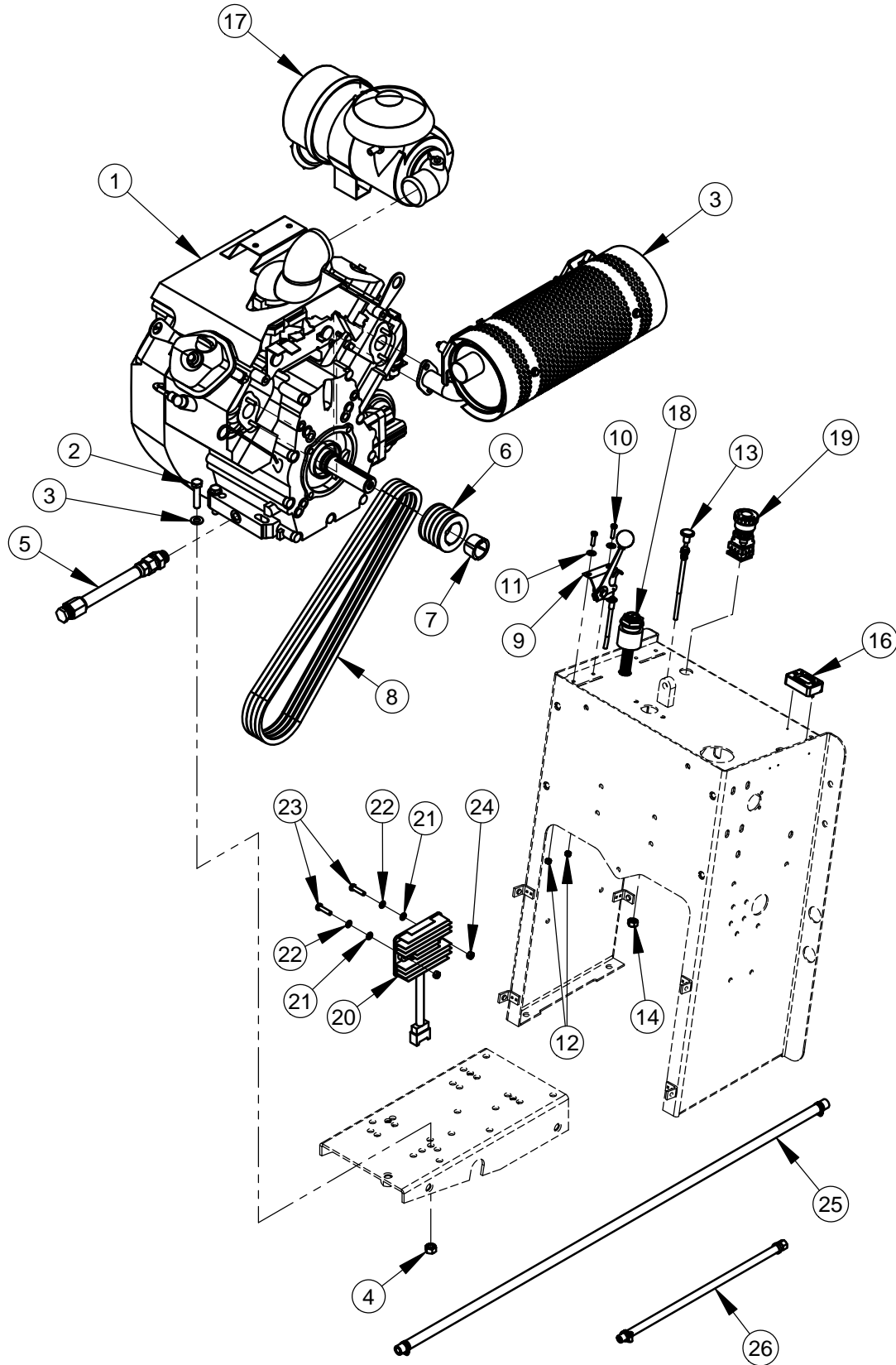
**CC1823XL Briggs-Vanguard Engine Assembly**  
**#6049040**



**CC1823XL Briggs-Vanguard Engine Assembly**  
**#6049040**

ITEM	PART NO.	QTY.	DESCRIPTION
1	2601713	1	Engine, 23HP Briggs-Vanguard
2	2900317	4	Cap Screw, Hex Hd., M10-1.5 x 45mm
3	2900014	4	Flat Washer, 3/8" SAE
4	2900304	4	Lock Nut, M10-1.5 Nylon Insert
5	6048040	1	Oil Drain Hose Assembly, 1/4" x 10"
6	2500620	1	Sheave 2.65-4 Groove
7	2500027	1	Taper Bushing, 1-1/8" W/ Setscrews & Key
8	2500036	4	V-Belt, 3VX355
9	2500810	1	Throttle Control, 36"
10	2900309	2	Cap Screw, Hex Hd., M5-0.8 x 20mm
11	2900016	2	Flat Washer, #10 USS
12	2900301	2	Lock Nut, M5-0.8 Nylon Insert
13	2500377	1	Choke Cable
14	2900148	1	Hex Nut, 3/8-24
15	2706804	1	Muffler, 23 HP Briggs Vanguard
16	2900329	4	Cap Screw, Hex Hd., M8-1.25 x 20mm
17	2900763	4	Lock Washer, M8 Split
18	6048878	1	Muffler Guard Mount
19	2701253	1	Muffler Guard
20	2706805	2	Exhaust Gasket
21	2901370	4	Cap Screw, Hex Hd., Flange, M6 x 12mm
22	2900003	1	Flat Washer, 3/4" SAE
23	2900478	1	Belleville Washer, 5/8"
24	2801502	1	Tach/Hour Meter, W/#6 Screws
25	2801367	1	E-Stop Switch
26	6048319	1	Blade Guard Spacer
27	6049024	1	Tapered Guard Mount
28	2900908	3	Cap Screw, Flat Hd., M10-1.5 x 80mm
29	6047048	1	Hose Assy., 3/8 x 50"
30	6048265	1	Fuel Line Assembly
31	2702622	1	Ignition Switch w/ Key (Briggs-Vanguard)
32	6043648	1	Wire Harness (Not Shown)

**CC1820XL Honda Engine Assembly**  
**W/ Electric Start**  
**For Use W/ 24" Bladeguard**  
**6049021**



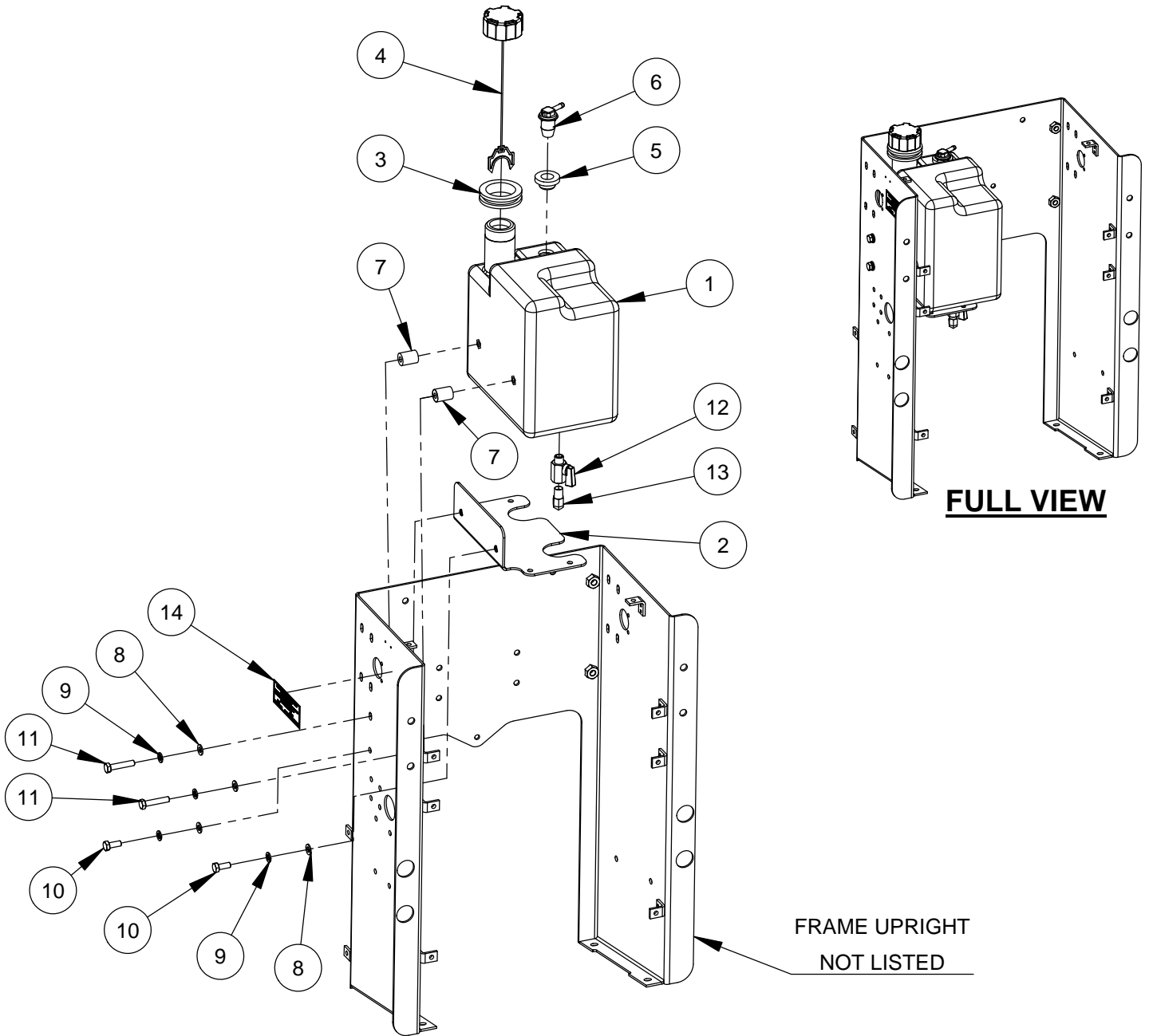


**CC1820XL Honda Engine Assembly**  
**W/ Electric Start**  
**For Use W/ 24" Blade Guard**  
**6049021**

ITEM	PART NO.	QTY.	DESCRIPTION
1	2600644	1	Engine, 20.8 HP Honda (GX630)
2	2900317	4	Cap Screw, Hex Hd., M10-1.5 x 45mm
3	2900014	4	Flat Washer, 3/8" SAE
4	2900304	4	Lock Nut, M10-1.5 Nylon Insert
5	6048245	1	Oil Drain Hose Assembly
6	2500620	1	Sheave 2.65-4 Groove
7	2500027	1	Taper Bushing, 1-1/8" W/ Setscrews & Key
8	2500037	4	V-Belt, 3VX375
9	2500810	1	Throttle Control, 36"
10	2900309	2	Cap Screw, Hex Hd., M5-0.8 x 20mm
11	2900016	2	Flat Washer, #10 USS
12	2900301	2	Lock Nut, M5-0.8 Nylon Insert
13	2500377	1	Choke Cable
14	2900148	1	Hex Nut, 3/8-24
15	2703139	1	Muffler Assembly, High Mount, Left
16	2801502	1	Tach/Hour Meter, W/#6 Screws
17	2703556	1	Air Cleaner Assembly
● 18	6049059	1	Wire Harness Assembly, Honda
19	2801367	1	E-Stop Switch
20	2701670	1	Rectifier Assembly
21	2901494	2	Flat Washer, M6
22	2900765	2	Lock Washer, M6 Split
23	2900311	2	Cap Screw, Hex Hd., M6-1.0 x 25mm
24	2900302	2	Lock Nut, M6-1.0 Nylon Insert
25	6047218	1	Vent Hose Assy., 3/8 x 40"
26	6030602	1	Fuel Line Assembly

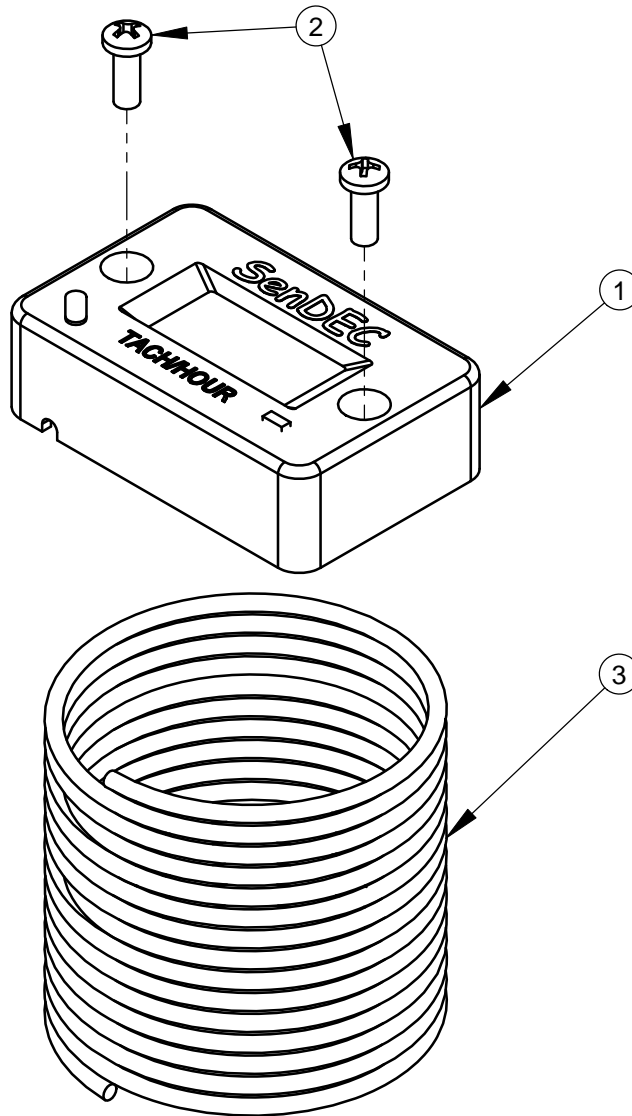
6049059 INCLUDES THE IGNITION SWITCH ASSEMBLY 6049057  
AND THE ENGINE TO IGNITION SWITCH HARNESS ASSEMBLY 6040958  
BOTH ARE AVAILABLE SEPARATELY.

## 6049065 CC1800XL Fuel System



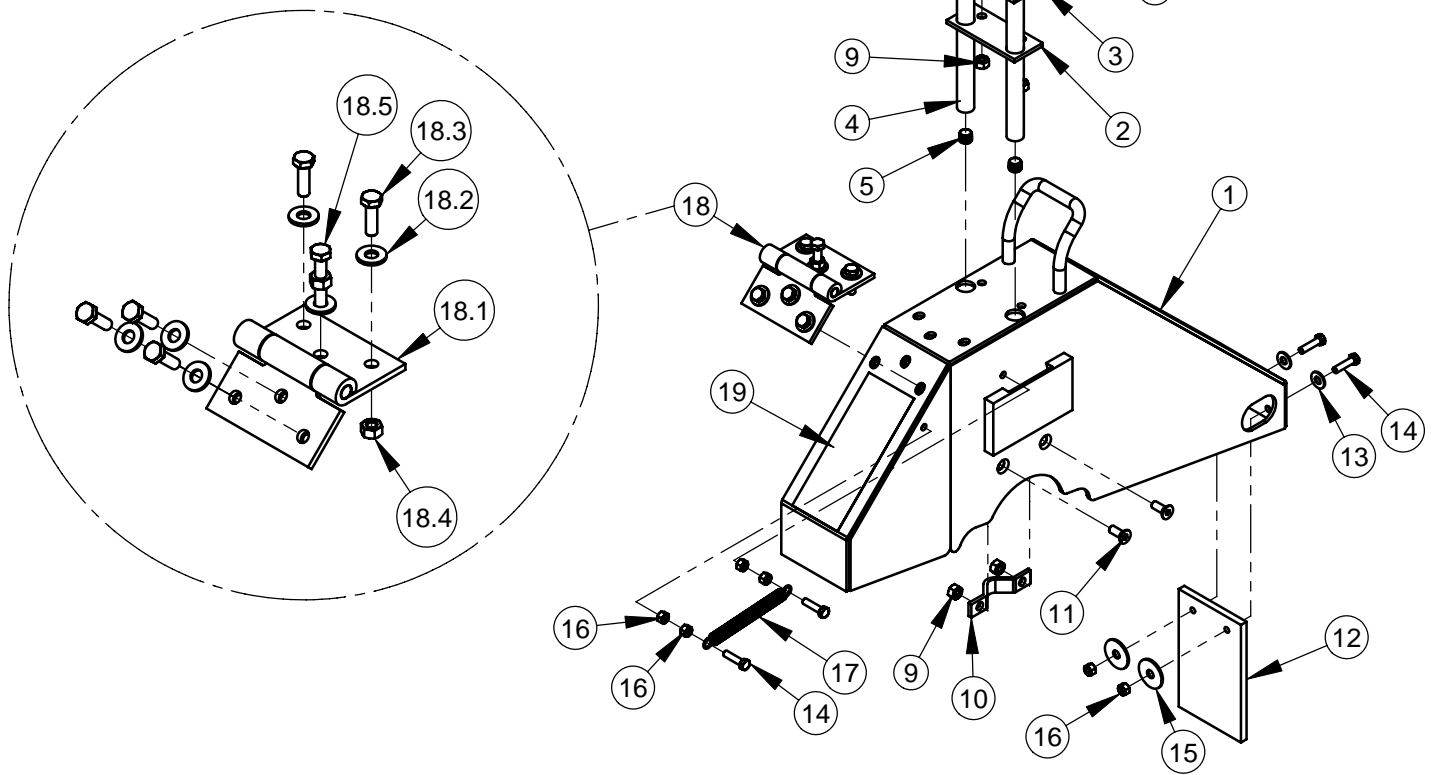
ITEM	PART NO.	QTY.	DESCRIPTION
1	6010849	1	Fuel Tank, 1.5 Gallon
2	6048327	1	Bracket
3	2500623	1	Fuel Tank Grommet
4	2506718	1	Fuel Tank Cap, 1-3/4"
5	2506716	1	Grommet
6	2502484	1	Roll Over Vent, 1/4" Hose Barb
7	2900797	2	Standoff, 3/4 x 1"
8	2901336	4	Flat Washer, M8
9	2900763	4	Lock Washer, M8 Split
10	2900329	2	Cap Screw, Hex Hd., M8-1.25 x 20mm
11	2900792	2	Cap Screw, Hex Hd., M8-1.25 x 40mm
12	3200108	1	Ball Valve, 1/4" NPT
13	3200057	1	Elbow, 1/4" M. Pipe to 1/4" M. JIC
14	1801716	1	Decal, EPA EVAP Standard

## Tach/Hourmeter Assembly #2801502



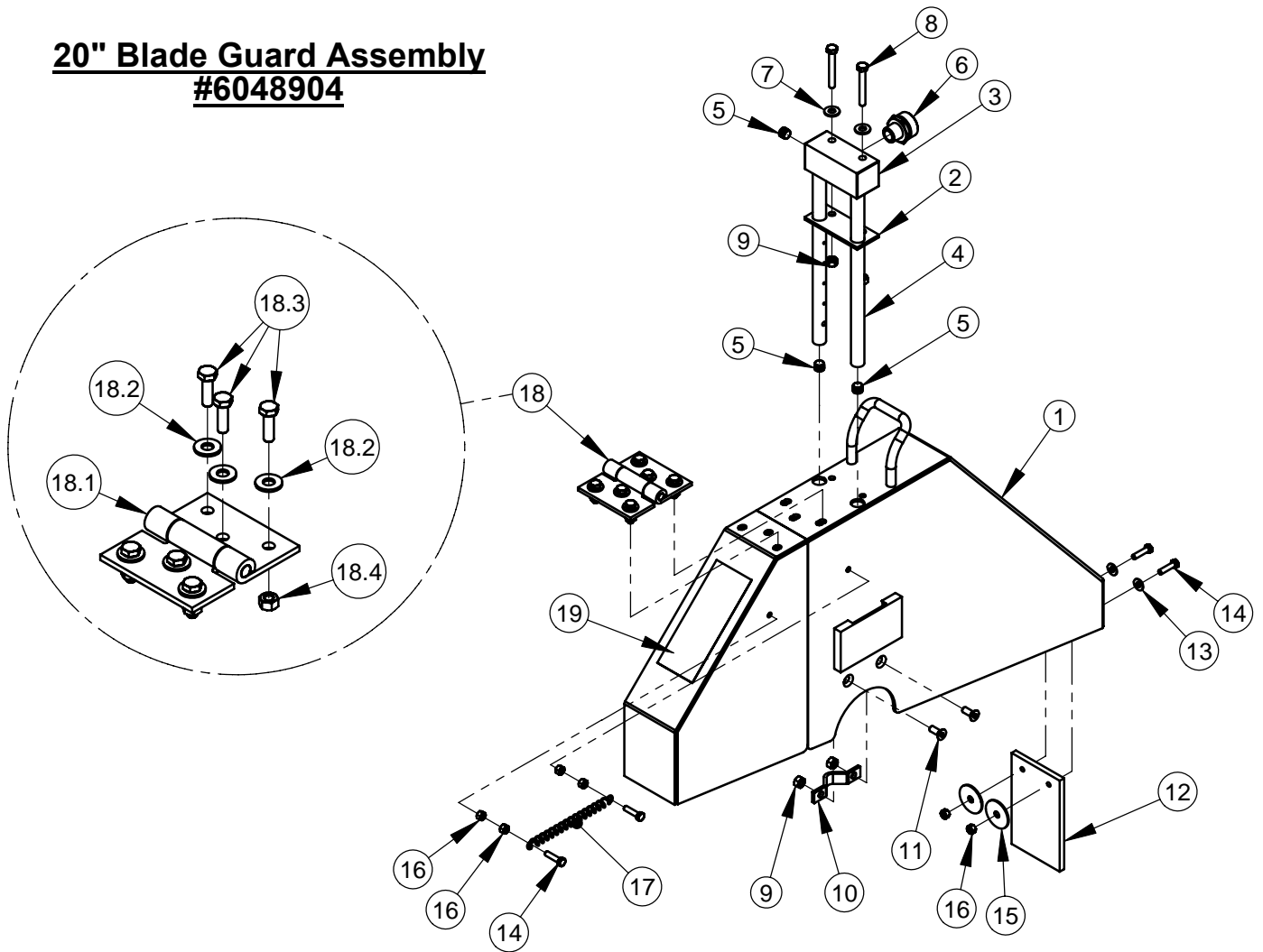
ITEM	PART NO.	QTY.	DESCRIPTION
1	2801502	1	Tach/Hour Meter, Digital
2	2701785	2	Pan Head, Self-tapping, #6-20 x 3/8"
3	2801502A	1	Tachometer Wire

**14" Blade Guard Assembly**  
**#6048912**



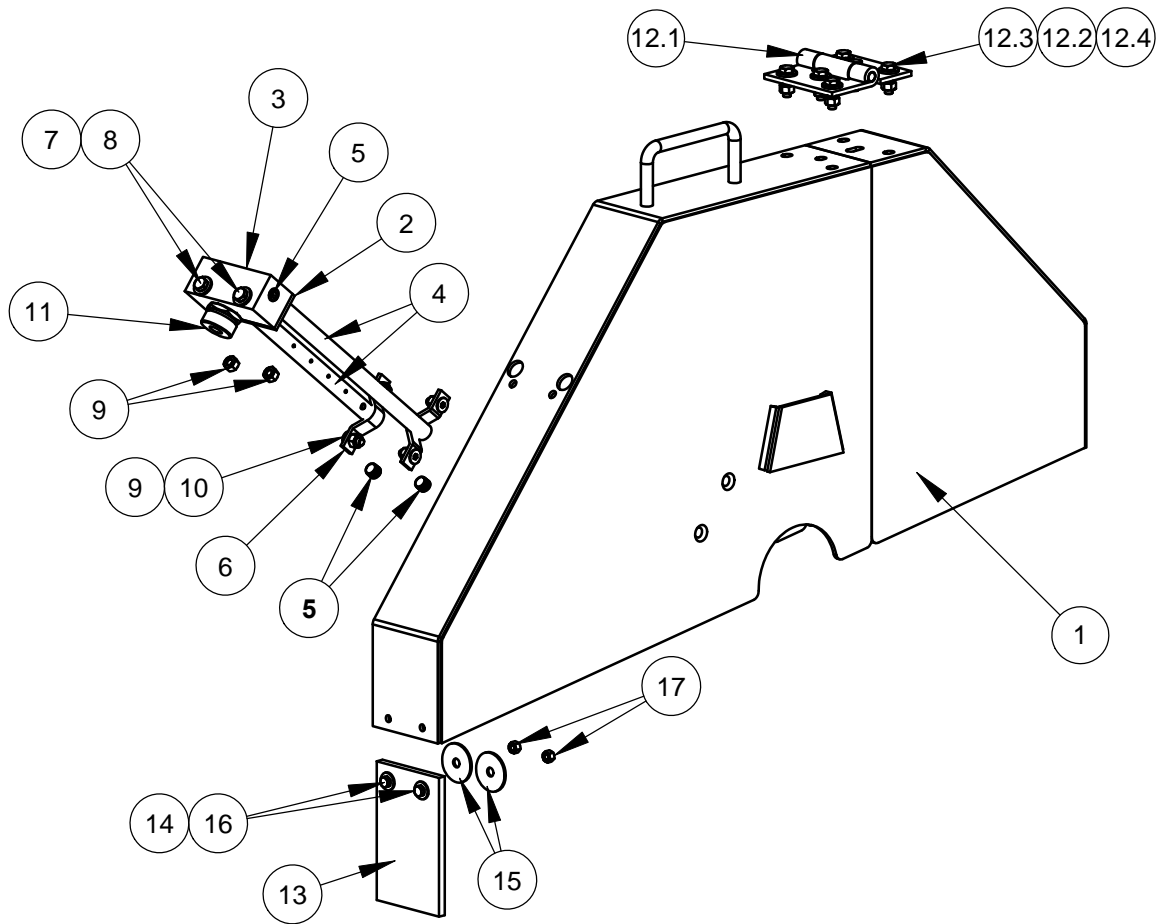
ITEM	PART NO.	QTY.	DESCRIPTION
1	6048911	1	14" Blade Guard
2	2500829	1	Water Manifold Gasket
3	6048123	1	Water Manifold
4	6048283	2	Water Tube for 14" Guard
5	3200001	3	Plug, 1/8" NPT
6	3200002	1	Fitting, 3/8" M. Pipe to 3/4" M. Garden
7	2900009	2	Flat Washer, 1/4" SAE
8	2900244	2	Cap Screw, Hex Hd., M6 x 45mm
9	2900302	6	Lock Nut, M6 Nylon
10	6048155	2	Water Tube Clamp
11	2900308	4	Cap Screw, Flat Hd. Soc., M6 x 16mm
12	6048039	1	Splash Flap
13	2900016	2	Flat Washer, #10 USS
14	2900309	4	Cap Screw, Hex Hd., M5 x 20mm
15	2900083	2	Fender Washer, 1/4" I.D. x 1-1/4" O.D.
16	2900301	6	Lock Nut, M5 Nylon
17	2500066	1	Spring, 3/8 X .055 X 3"
18	6048026	1	Hinge Assy., Metric Fasteners
18.1	2500270	1	Blade Guard Hinge
18.2	2900009	6	Flat Washer, 1/4" SAE
18.3	2900310	5	Cap Screw, Hex Hd., M6 x 20mm
18.4	2900302	7	Lock Nut, M6 Nylon
18.5	2900312	1	Cap Screw, Hex Hd., M6 x 35mm
19	1800001	1	Warning Label

**20" Blade Guard Assembly**  
**#6048904**



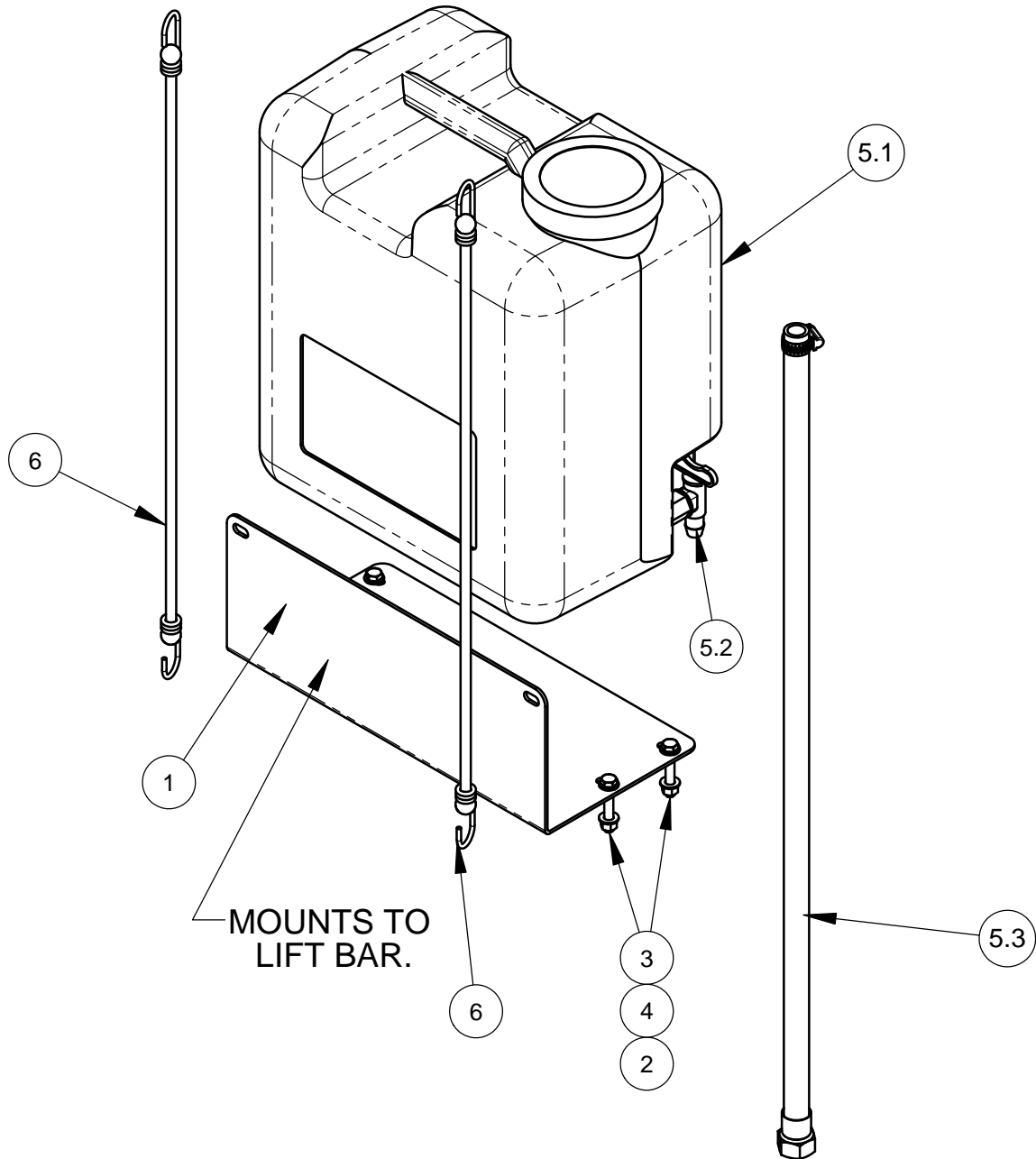
ITEM	PART NO.	QTY.	DESCRIPTION
1	6048905	1	20" Blade Guard
2	2500829	1	Water Manifold Gasket
3	6048123	1	Water Manifold
4	6010085	2	Water Tube for 20" Guard
5	3200001	3	Plug, 1/8" NPT
6	3200002	1	Fitting, 3/8" M. Pipe to 3/4" M. Garden
7	2900009	2	Flat Washer, 1/4" SAE
8	2900244	2	Cap Screw, Hex Hd., M6 x 45mm
9	2900302	6	Lock Nut, M6 Nylon
10	6048155	2	Water Tube Clamp
11	2900308	4	Cap Screw, Flat Hd. Soc., M6 x 16mm
12	6048039	1	Splash Flap
13	2900016	2	Flat Washer, #10 USS
14	2900309	4	Cap Screw, Hex Hd., M5 x 20mm
15	2900083	2	Fender Washer, 1/4" x 1-1/4"
16	2900301	6	Lock Nut, M5 Nylon
17	2500067	1	Spring, 3/8" x 4"
18	6048027	1	Hinge Assy., Metric Fasteners
18.1	2500270	1	Blade Guard Hinge
18.2	2900009	6	Flat Washer, 1/4" SAE
18.3	2900310	6	Cap Screw, Hex Hd., M6 x 20mm
18.4	2900302	6	Lock Nut, M6 Nylon
19	1800001	1	Warning Label

## 24" BLADE GUARD ASSEMBLY: 6048258



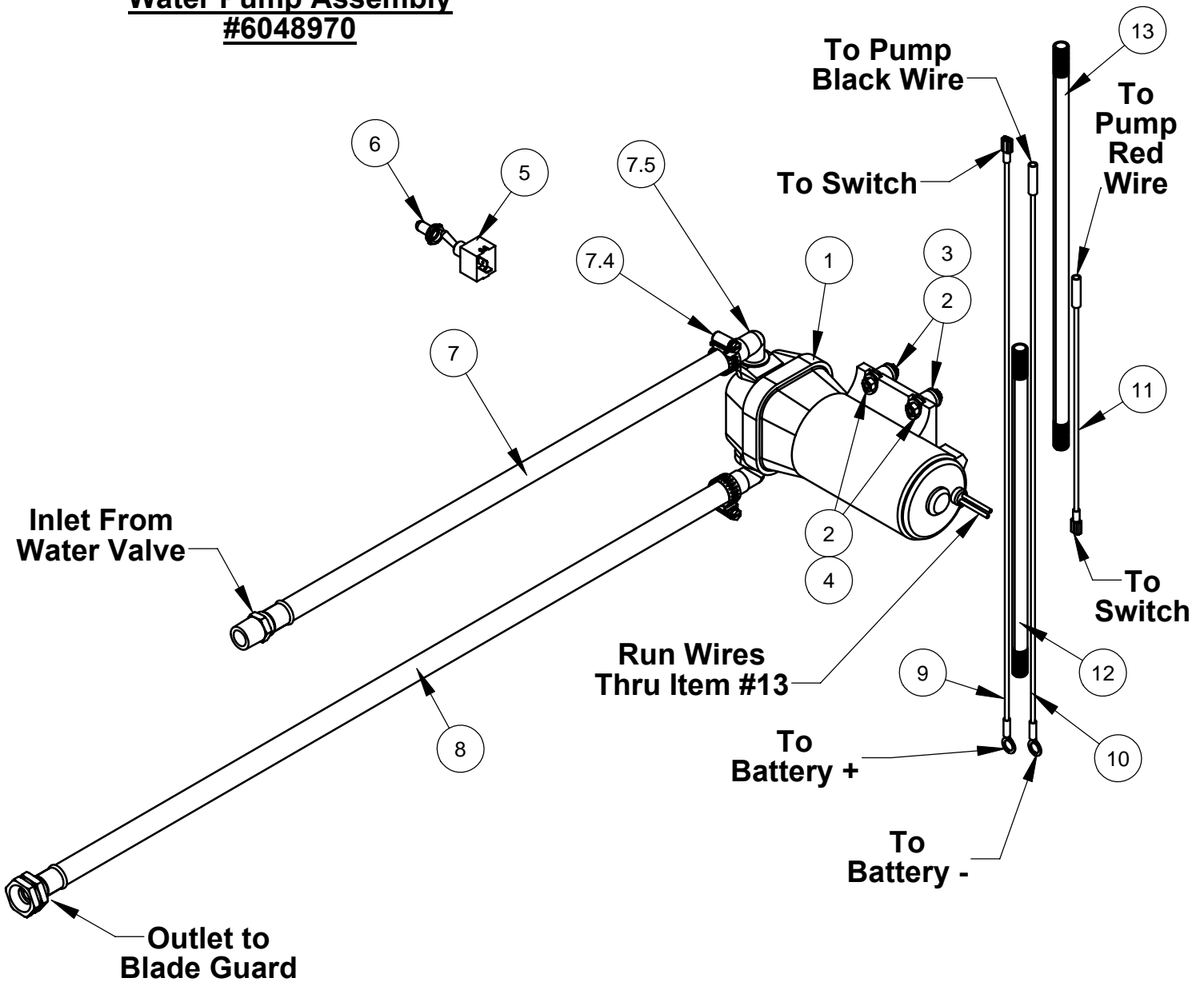
ITEM NO.	PART NUMBER	DESCRIPTION	QTY.
1	6048257	24" Blade Guard	1
2	2500829	Water Manifold Gasket	1
3	6048123	Water Manifold	1
4	6010085	Water Tube for 20" Guard	2
5	3200001	Plug, 1/8" NPT	3
6	6048155	Water Tube Clamp	2
7	2900009	Flat Washer, 1/4" SAE	2
8	2900244	Cap Screw, Hex Hd., M6 x 45mm	2
9	2900302	Lock Nut, M6 Nylon	6
10	2900308	Cap Screw, Flat Hd. Soc., M6 x 16mm	4
11	3200002	Fitting, 3/4" M. Pipe to 3/4" M. Garden	1
12	6048027	Hinge Assy., Metric Fasteners	1
12.1	2500270	Blade Guard Hinge	1
12.2	2900009	Flat Washer, 1/4" SAE	6
12.3	2900310	Cap Screw, Hex Hd., M6 x 20mm	6
12.4	2900302	Lock Nut, M6 Nylon	6
13	6048039	Splash Flap	1
14	2900016	Flat Washer, #10 USS	2
15	2900083	Fender Washer, 1/4" x 1-1/4"	2
16	2900309	Cap Screw, Hex Hd., M5 x 20mm	2
17	2900301	Lock Nut, M5 Nylon	2

## 6049020, CC1800XL WATER TANK OPTION



ITEM	PART NO.	QTY.	DESCRIPTION
1	6048631	1	Bracket, Water Tank
2	2900022	8	Flat Washer, 5/16" SAE
3	2900494	4	Cap Screw, Hex Hd., 5/16-18 x 2"
4	2900039	4	Lock Nut, 5/16-18 Nylon
5	6049064	1	Water Tank W/Hose Assy.
5.1	6048299	1	Water Tank Assy., 7-1/2 Gallon
5.2	2505095	1	Petcock
5.3	6049046	1	Hose Assy., 5/8 x 34-3/4", Water
6	2500586	2	Tiedown, Elastic, 28"

**Water Pump Assembly**  
**#6048970**

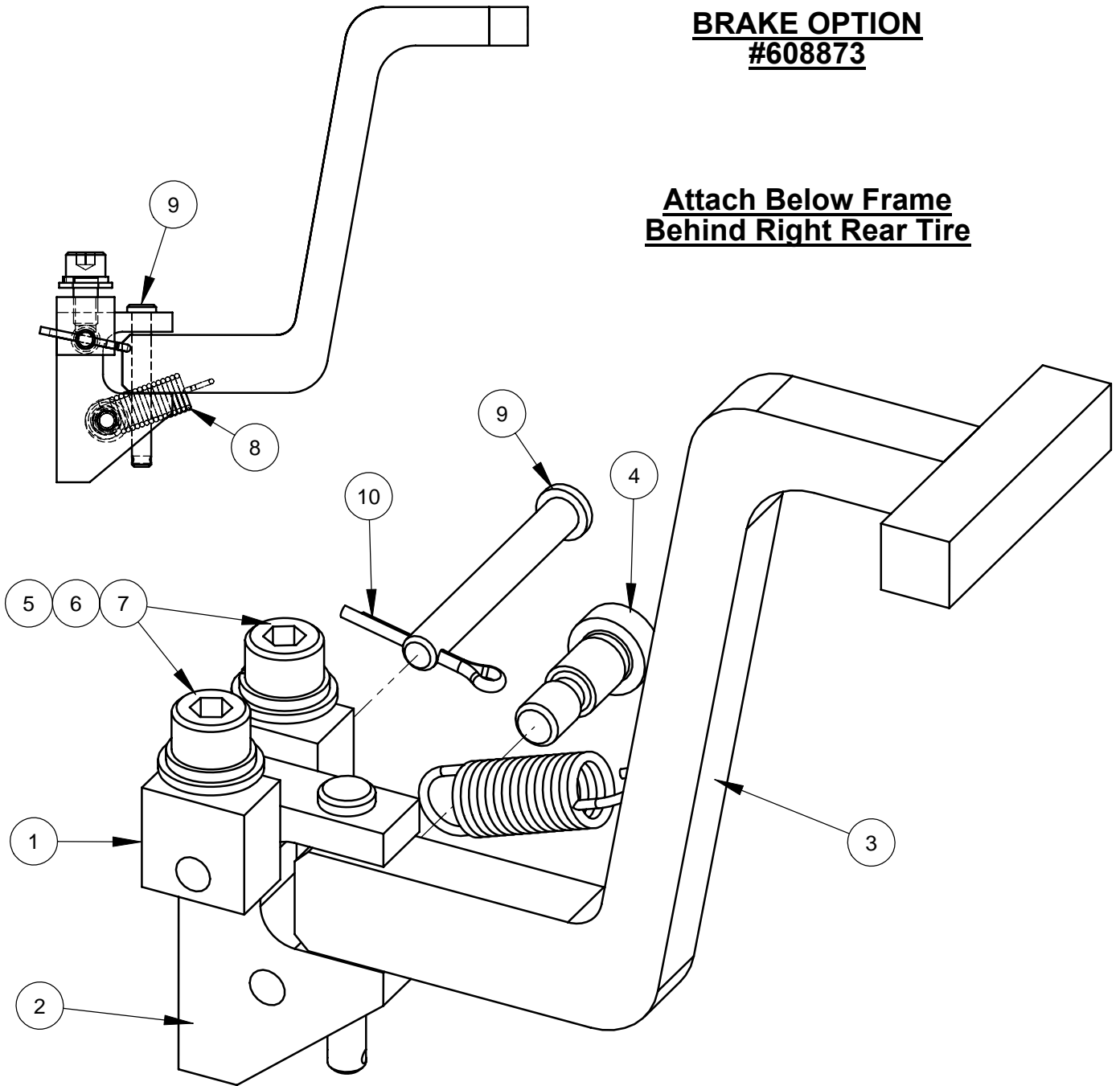


ITEM	PART NO.	QTY.	DESCRIPTION
1	2600200	1	Water Pump, 12V Diaphragm
2	2900009	8	Flat Washer, 1/4" SAE
3	2900311	4	Cap Screw, Hex Hd., M6 x 25
4	2900302	4	Lock Nut, M6 Nylon
5	2800062	1	Toggle Switch On/Off
6	2800063	1	Switch Boot
7	6048965	1	Hose Assy., 1/2" x 23.67", Water
7.4	3200016	1	Hose Clamp #8
7.5	2701694	1	Port Fitting, 1/2" Barb x 90 Degree
8	6048966	1	Hose Assy., 1/2 x 33.85", Water
9	6043197	1	Wire Assy., 14 Ga., White
10	6043198	1	Wire Assy., 14 Ga., Black
11	6043199	1	Wire Assy., 14 Ga., Green
12	6043397	1	Wire Cover, 13"
13	6043398	1	Wire Cover, 16"



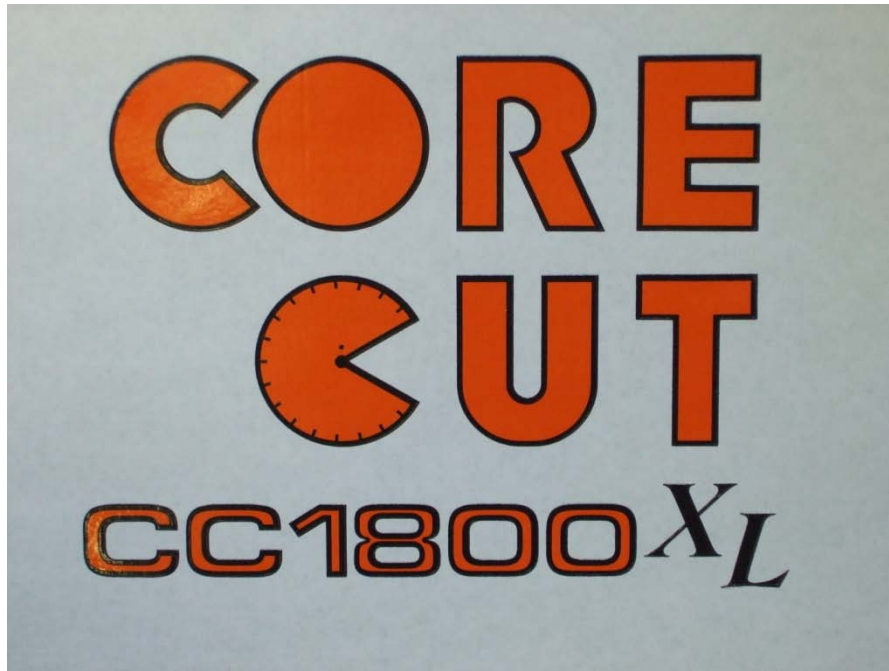
**BRAKE OPTION**  
**#608873**

**Attach Below Frame**  
**Behind Right Rear Tire**

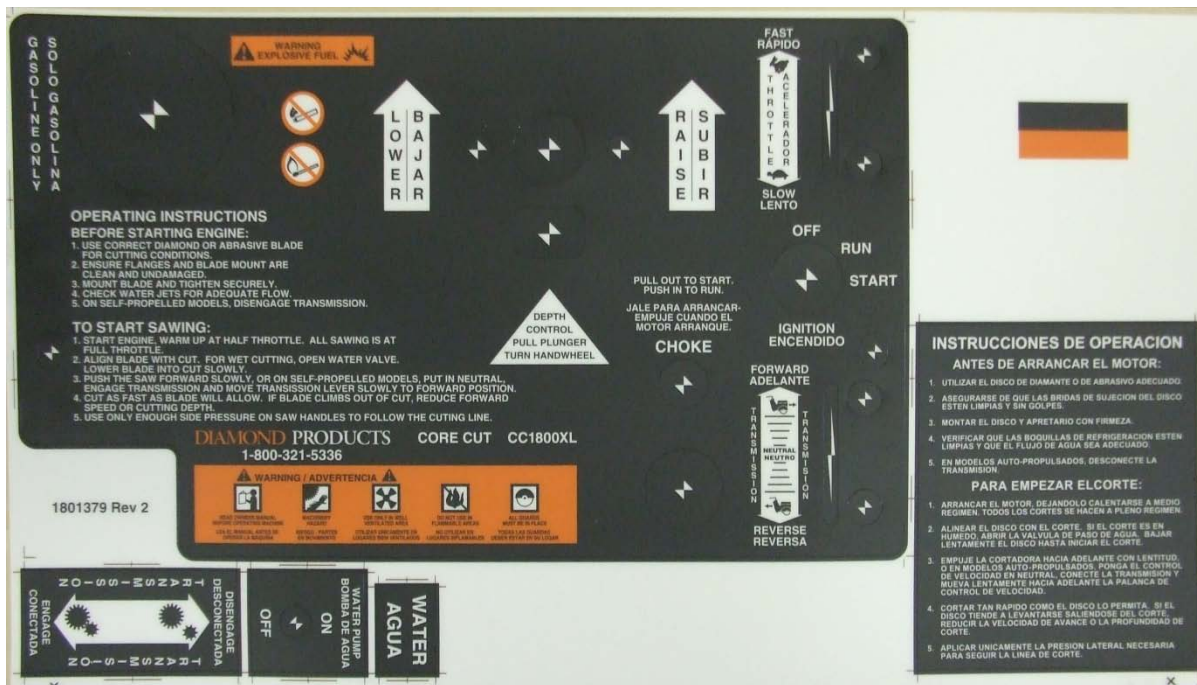


ITEM	PART NO.	QTY.	DESCRIPTION
1	6048868	2	Clevis Plate
2	6048867	1	Plate, Brake Pivot
3	6048869	1	Brake Pedal Weldment
4	2900672	1	Shoulder Screw, 3/8" x 1/2" (5/16-18)
5	2900022	2	Flat Washer, 5/16" SAE
6	2900031	2	Lock Washer, 5/16" Split
7	2900267	2	Cap Screw, Soc. Hd., M8 x 16mm
8	2500068	1	Spring, .063 x .50 x 1.75
9	2901404	2	1/4 x 2.0" Clevis Pin
10	2900034	1	Cotter Pin, 3/32" x 3/4"

## CC1800XL Decals



Core Cut Decal, #1801023



CC1800XL Operating Decal, #1801379



## EQUIPMENT AND PARTS WARRANTY

Diamond Products warrants all equipment manufactured by it against defects in workmanship or materials for a period of one (1) year from the date of shipment to Customer.

The responsibility of Diamond Products under this Warranty is limited to replacement or repair of defective parts at Diamond Products' Elyria, Ohio factory, or at a point designated by it, of such parts as shall appear to us upon inspection at such parts, to have been defective in material or workmanship, with expense for transportation and labor borne by Customer.

In no event shall Diamond Products be liable for consequential or incidental damages arising out of the failure of any Product to operate properly.

Integral units such as engines, electric motors, batteries, transmissions, etc., are excluded from this Warranty and are subject to the prime manufacturer's warranty.

**THIS WARRANTY IS IN LIEU OF ALL OTHER WARRANTIES, EXPRESSED OR IMPLIED, AND ALL SUCH OTHER WARRANTIES ARE HEREBY DISCLAIMED.**

