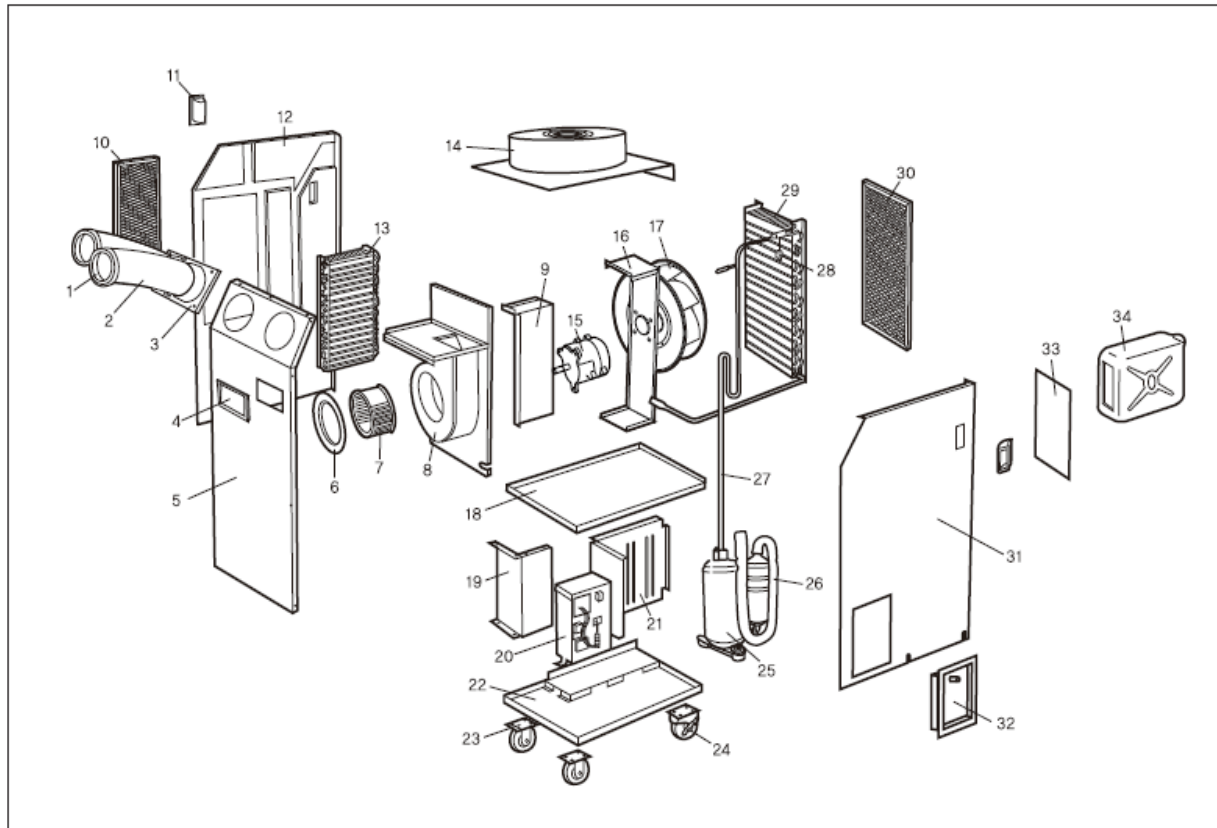


ASSEMBLY DRAWING & PART LIST HSC-14/18



No.	Parts Name		No.	Parts Name
1	5" Trim Ring	5" Cold Air Nozzle Kit (optional)	18	BOTTOM PLATE
2	DUCT (Length : 11.8inch)		19	CABI SUPPORT-C
3	DAMPER BASE		20	POWER BOX ASS'Y
4	CONTROLLER ASS'Y		21	CABI SUPPORT-A
5	CABI FRONT		22	BASE ASS'Y
6	BELL MOUTH		23	CASTER
7	SIROCCO FAN		24	LOCKABLE CASTER
8	DUCT BODY ASS'Y		25	COMPRESSOR
9	EVA AIRGUARD		26	TUBE SUCTION
10	FILTER EVA		27	TUBE DISCHARGE
11	HANDLE		28	HIGH PRESSURE SWITCH
12	CABI LEFT		29	CONDENSER
13	EVAPORATOR		30	FILTER CONDENSER
14	TOP PLATE (dia. 11.8 inch.)		31	CABI RIGHT
15	MOTOR INDOOR BLDC 115V		32	POWER BOX COVER
16	CABI FAN BRACKET		33	CABI BACK
17	FAN BACKWARD		34	WATER TANK