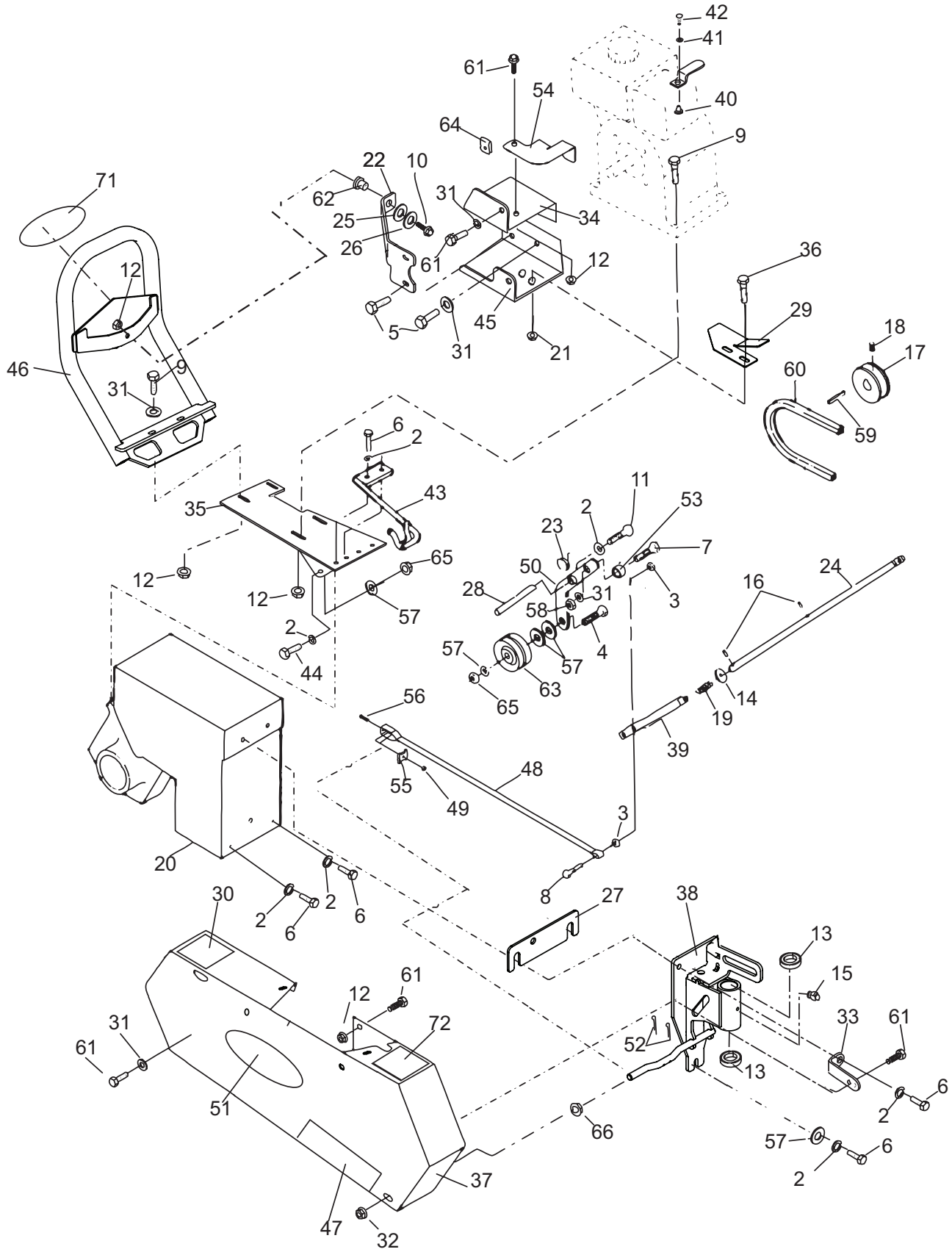


PARTS SECTION

DRIVE ASSEMBLY AND SIDE COVER

JR SOD CUTTER

FIGURE 1



DRIVE ASSEMBLY AND SIDE COVER

JR SOD CUTTER

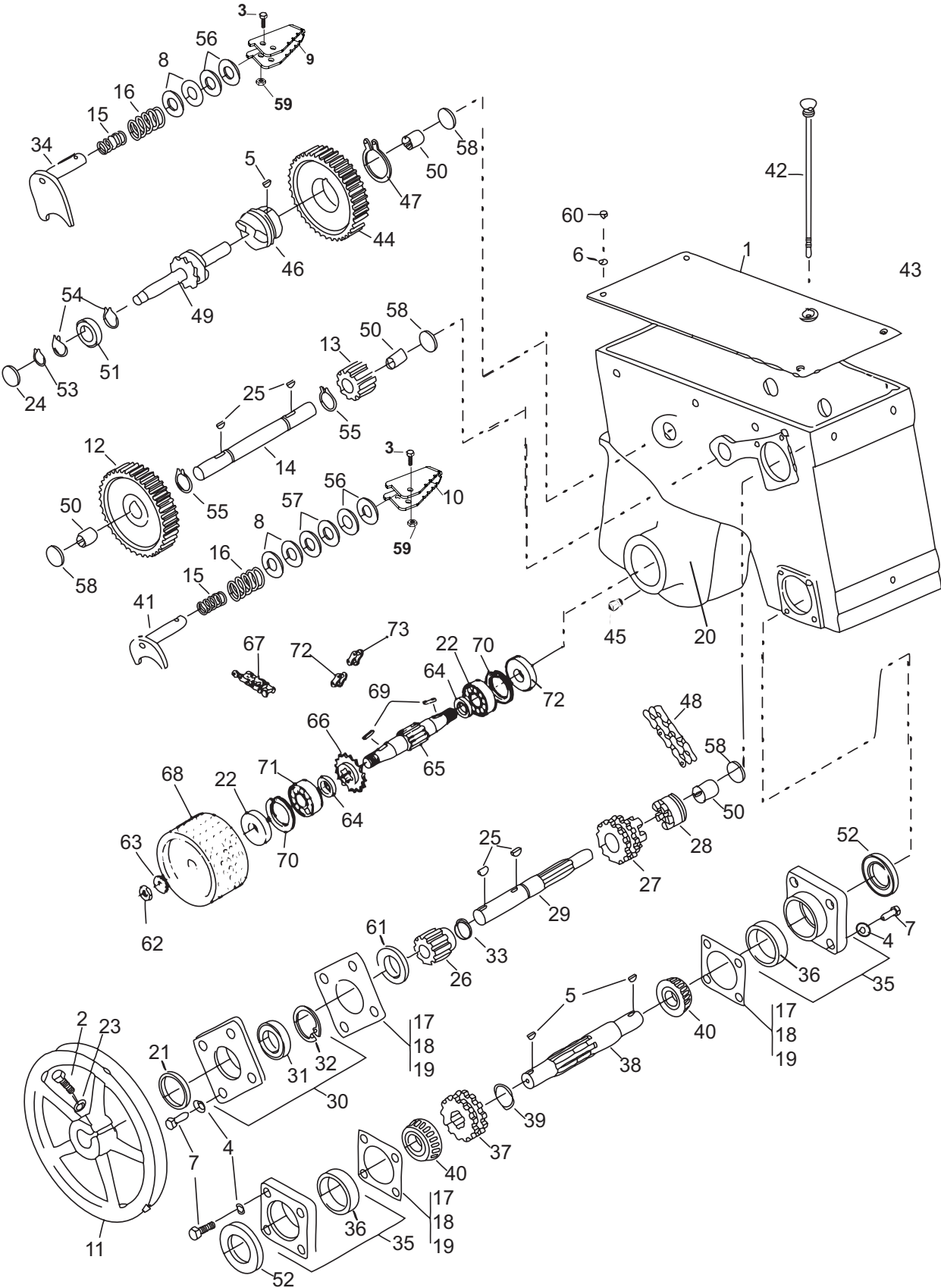
FIGURE 1

| ITEM | PART NO. | DESCRIPTION | QTY | ITEM | PART NO. | DESCRIPTION | QTY |
|------|-----------|--|-----|--|-----------|----------------------------|-----|
| 1 | 64163-55 | WASHER .328X.75X14 GA | 5 | 47 | 4133034 | LABEL-JR SOD CUTTER | 1 |
| 2 | 64006-03 | LOCKWSHR-HELICAL 3/8 | 15 | 48 | 524573 | BAND, BRAKE | 1 |
| 3 | 64001-13 | NUT-HEX JAM 1/4-20 | 2 | 49 | 64025-14 | NUT-HEX #10-32 | 1 |
| 4 | 64123-67 | BLT-HEX 3/8-16X2 | 1 | 50 | 4164571.7 | WLDMT-IDLER ARM | 1 |
| 5 | 64139-01 | BLT-WLF 5/16-24X3/4 | 4 | 51 | 4163976 | LABEL-RYAN | 1 |
| 6 | 64123-50 | BOLT-HEX 3/8-16X1 | 14 | 52 | 64168-2 | HAIRPIN | 2 |
| 7 | 64123-68 | BOLT-HEX 5/16-18X1 | 5 | 53 | 819337 | BUSHING | 1 |
| 8 | 64123-269 | BLT-HEX 1/4-20X1-1/8 | 1 | 54 | 524610.7 | BRACKET,BELT GUIDE | 1 |
| 9 | 64139-23 | BLT-WLF 5/16-18 X 1-3/4 | 4 | 55 | 524574 | NUT, BRAKE BAND | 1 |
| 10 | 64139-10 | BLT-WLF 5/16-18X1-1/4 | 1 | 56 | 64044-22 | SCREW-SET #10-32X1 | 1 |
| 11 | 64123-15 | BOLT-3/8-16X3/4 HEX | 1 | (ITEMS 55, 56, 49 & 48 ARE AVAILABLE IN BRAKE BAND KIT 540274) | | | |
| 12 | 64141-6 | NUT, 5/16-18 | 4 | 57 | 64163-31 | WSHR 25/64X1X12 | 6 |
| 13 | 4129801 | BEARING-FLANGE | 2 | 58 | 64141-9 | NUT-WLF 5/16-18 EL | 1 |
| 14 | 64163-67 | WASHER-.516X1X12GA | 2 | 59 | 64164-11 | KEY-3/16X3/16X1-1/4 SQ END | 1 |
| 15 | 85010N | ZERK-GREASE | 1 | 60 | 524582 | BELT,V A SECT. 66" LONG | 1 |
| 16 | 64176-11 | PIN-COILED SPRING 3/16X12 | 2 | 61 | 64139-06 | BLT-WLH 5/16-18X5/8 | 6 |
| 17 | 517137 | PULLEY,4" DIA "A" SIZE | 1 | 62 | 2702464 | BUSHING,ISOLATION | 1 |
| 18 | 64044-18 | SCREW-SET 5/16-18 x 5/16 | 2 | 63 | 548942 | PULLEY, PLAIN IDLER 3.25" | 1 |
| 19 | 518535 | SPRING | 1 | 64 | 800889 | NUT,.31-18 SPD J W/NUT | 2 |
| 20 | 4175979 | ASSY-GEARCASE 12" | 1 | 65 | 64268-03 | NUT-FL NYLON LOCK 3/8-16 3 | |
| | 4175980 | ASSY-GEARCASE 18" | | 66* | 524775 | FILTER,AIR CLEANER | 1 |
| 21 | 64141-2 | NUT-WLF 1/4-20 | 2 | 67* | 524776 | FILTER,AIR PRE-CLEANER | 1 |
| 22 | 524773.2 | BRACE-GUARD | 1 | 68* | 540385 | KIT,SPARK ARRESTOR | 1 |
| 23 | 520785 | SPRING | 1 | (ITEMS 66-68 USED ON BRIGGS & STRATTON ENGINES ONLY) | | | |
| 24 | 4164474 | ROD-CONTROL | 1 | 69* | 524777 | FILTER,AIR W/PRE-CLNR | 1 |
| 25 | 838496 | WASHER,.25 1.00.125 FLAT | 1 | 70* | 540374 | SPARK ARESTOR W/SCRW | 1 |
| 26 | 64163-29 | WASHER-21/64 X 1 X 11GA | 1 | (ITEMS 69 & 70 USED ON HONDA ENGINES ONLY) | | | |
| 27 | 4164506.7 | SPACER-CASTER ASM | 1 | 71 | 4175971 | LABEL-RYAN | 1 |
| 28 | 521087 | SHAFT | 1 | 72 | 340830 | LABEL-CAUTION SPANISH | 1 |
| 29 | 4164546.7 | GUIDE-BELT, JR | 1 | * NOT ILLUSTRATED | | | |
| 30 | 4163592 | DECAL,WARNING HANDS | 1 | | | | |
| 31 | 64163-55 | WASHER .328X.75X14 GA | 5 | | | | |
| 32 | 64141-13 | NUT-WLF 1/2-13 | 2 | | | | |
| 33 | 520773.7 | BRACKET | 1 | | | | |
| 34 | 4163910.7 | BRACKET, BELT GUARD, TOP | 1 | | | | |
| 35 | 524473.2 | PLATE,ENGINE MOUNT | 1 | | | | |
| 36 | 64139-02 | BLT-WLF 1/4-20X1/2 | 2 | | | | |
| 37 | 4163353 | S-GUARD ASSY | 1 | | | | |
| 38 | 4175997 | S-WLDMT, REAR WHL SPRT | 1 | | | | |
| | | (ITEMS 13 & 15 INCLUDED) | | | | | |
| 39 | 4164477.7 | WLDMT-CLEVIS | 1 | | | | |
| 40 | 831888 | SWIVEL | 1 | | | | |
| 41 | 831889 | WASHER,SWIVEL | 1 | | | | |
| 42 | 831890 | SCRW,SWIVEL THROTTLE | 1 | | | | |
| | | (ITEMS 40-42 USED ON HONDA ENGINES ONLY) | | | | | |
| 43 | 545380.2 | GUIDE AY, BELT | 1 | | | | |
| 44 | 64123-87 | BOLT-HEX 3/8-16X1-3/4 | 2 | | | | |
| 45 | 4164580.7 | BRKT-BELT GUARD,BTTM | 1 | | | | |
| 46 | 4175972.7 | GUARD AY, FRONT | 1 | | | | |

GEAR CASE

JR SOD CUTTER

FIGURE 2



JR SOD CUTTER

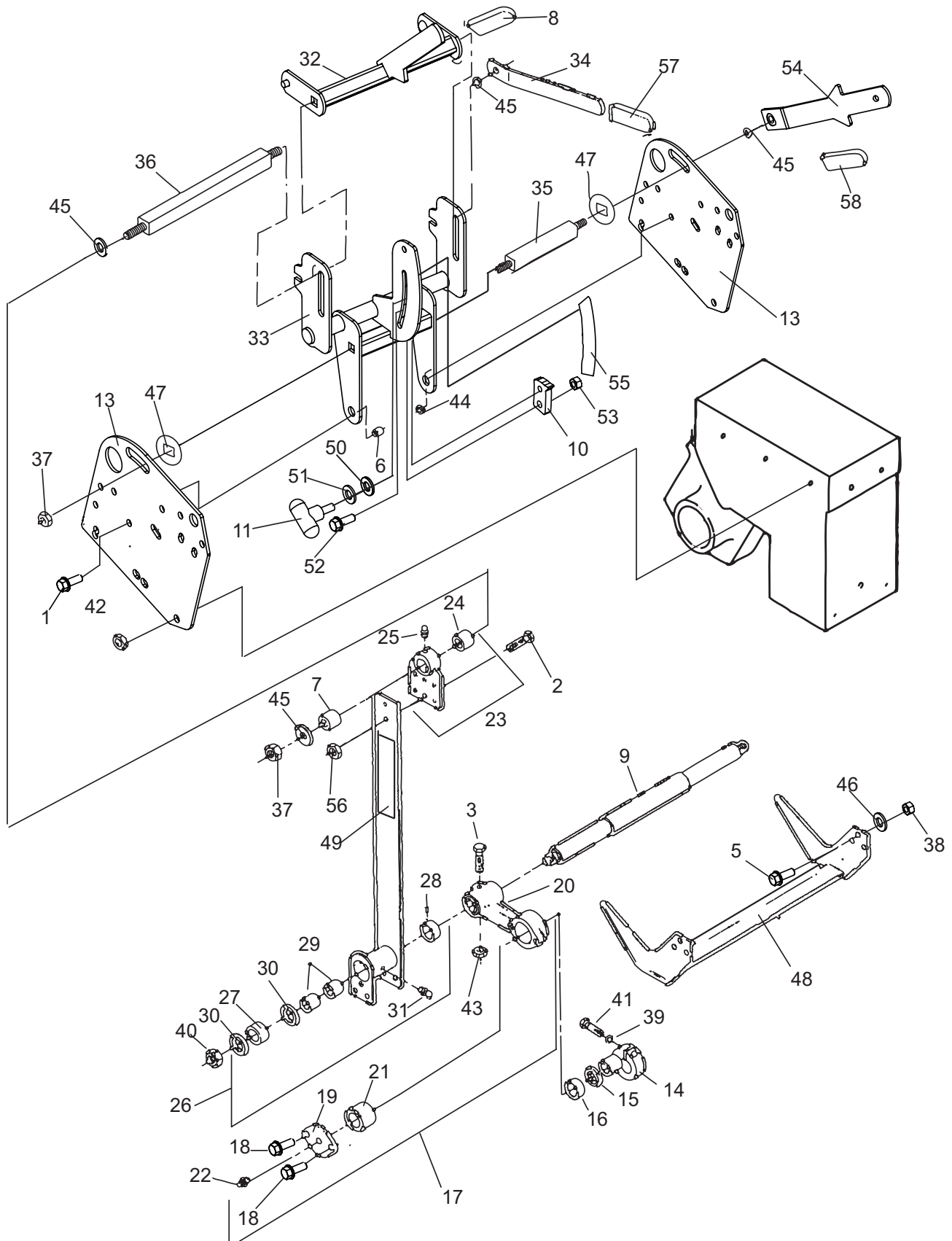
FIGURE 2

| ITEM | PART NO. | DESCRIPTION | QTY | ITEM | PART NO. | DESCRIPTION | QTY |
|------|----------|----------------------------|-----|------|----------|----------------------------------|-----|
| 1 | 4175979 | ASSY-GEARCASE 12" | 1 | 40 | 814473 | CONE,TPRD RLR BRG 1.00 | 2 |
| | 4175980 | ASSY-GEARCASE 18" | | 41 | 545710 | SHAFT AY | 1 |
| | | (INCLUDES ITEMS 1-74) | | 42 | 546033.7 | DIPSTICK AY | 1 |
| 2 | 64123-67 | BLT-HEX 3/8-16X2 | 1 | 43 | 546037.7 | COVER AY, GEAR CASE | 1 |
| 3 | 64123-80 | BLT-HEX 1/4-20X1-1/4 | 2 | 44 | 519404 | GEAR,DRIVE | 1 |
| 4 | 64006-02 | LCKWSHER-HELICAL 5/16 | 12 | | | (INCLUDES ITEMS 45-47) | |
| 5 | 64164-19 | KEY WOODRUFF.19X.75 #9 | 3 | 45 | 548775 | PLUG.25-18NPTF HS | 1 |
| 6 | 64006-01 | LOCKWASHER-1/4 HELICAL | 4 | 46 | 516222 | HUB | 1 |
| 7 | 64123-68 | BOLT-HEX 5/16-18X1 | 12 | 47 | 548329 | RING,EXT LOCK 1.61ID.06T | 1 |
| 8 | 515891 | SHIM,.64 1.25.010 YS | 4 | 48 | 546937 | CHAIN, #50 DOUBLE | 1 |
| 9 | 4175981 | HANDLE-SHIFTER,DRIVE | 1 | 49 | 547427 | SPROCKET & SHAFT AY | 1 |
| 10 | 4175982 | HANDLE-SHIFTER, CUT | 1 | 50 | 548080 | BRG.NDL.75 1.00.75 | 4 |
| 11 | 515901.7 | PULLEY | 1 | 51 | 548096 | BRG,BALL.59 1.38.43 "SS" | 1 |
| 12 | 516145 | GEAR | 1 | 52 | 548272 | SEAL,OIL 1.00 SHAFT | 2 |
| 13 | 516150 | GEAR | 1 | 53 | 548321 | RING,EXT RET.56ID.037 | 1 |
| 14 | 516156 | SHAFT | 1 | 54 | 548323 | RING, INTRNL RETAINING | 2 |
| 15 | 516194 | SPRING | 2 | 55 | 548324 | RING,EXT RET.691ID | 2 |
| 16 | 516196 | SPRING | 2 | 56 | 548477 | WASHER | 4 |
| 17 | 520238 | SHIM .005 (.13MM) | A/R | 57 | 548478 | WSHR,.641 1.188.04 YS FLT | 5 |
| 18 | 520239 | SHIM .010 (.25MM) | A/R | 58 | 548482 | PLUG,EXPANSION 1.25 YS | 4 |
| 19 | 520240 | SHIM .020 (.51MM) | A/R | 59 | 548597 | LOCKNUT, UNI-TORQUE | 2 |
| 20 | 520671.7 | GEARCASE | 1 | 60 | 548726 | SCRW,.25-20.75 YS RS | 4 |
| 21 | 521941 | SPACER,1.00 1.12.66 | 1 | 61 | 4139759 | SPACER-GEAR | 1 |
| 22 | 548954 | SEAL-OIL 1.38 SHAFT | 2 | 62 | 307665 | NUT .75-16 YS HX JAM | 2 |
| 23 | 64006-03 | WSHR, 3/8 HELICAL LOCK | 1 | 63 | 309799 | LWSHR .75 ZS SHKPRF | 2 |
| 24 | 548931 | PLUG,EXPANSION 1.75 YS | 1 | 64 | 520722 | SPACER | 2 |
| 25 | 64164-28 | KEY-#808 WOODRUFF | 4 | 65 | 520723 | SHAFT | 2 |
| 26 | 4139758 | GEAR | 1 | 66 | 545626 | SPROCKET AY | 1 |
| 27 | 516162 | SPROCKET, CLUTCH | 1 | 67 | 547398 | CHAIN AY #50 RLR | 1 |
| 28 | 516172 | CLUTCH | 1 | 68 | 547408.7 | WHEEL AY 12IN | 2 |
| 29 | 516173 | SHAFT | 1 | | | (USED ON 544951H & 544953C ONLY) | |
| 30 | 544215 | CAGE ASSY,BEARING | 1 | | | 547424.7 WHEEL AY 18IN | |
| | | (INCLUDES ITEMS 31, 32) | | | | (USED ON 544952H & 544954C ONLY) | |
| 31 | 548131 | BRG,BALL 1.00 2.00.50 "DA" | 1 | 69 | 64164-10 | KEY 1/4X1-1/4 SQ | 2 |
| 32 | 548326 | RING,INT RET 2.21OD.06 | 1 | 70 | 548952 | RING INTERNAL RETAINING | 2 |
| 33 | 548327 | RING-LOCK | 1 | 71 | 548953 | BRG-BALL 1.38 2.83.67 | 2 |
| 34 | 544217.7 | SHIFTER AY | 1 | 72 | 4117675 | LINK-#50 CONNECTOR | A/R |
| 35 | 545050 | CAGE AY,BEARING | 1 | 73 | 548480 | LINK-HALF | A/R |
| | | (INCLUDES ITEM 36) | | | | | |
| 36 | 814474 | CUP,TPRD RLR BRG | 1 | | | | |
| 37 | 516160 | SPROCKET | 1 | | | | |
| 38 | 521253 | SHAFT-ECCENTRIC | 1 | | | | |
| 39 | 548336 | LOCK RING (KC) | 1 | | | | |

SIDE ARMS, PITMAN ARMS AND HANDLES

JR SOD CUTTER

FIGURE 3



SIDE ARMS, PITMAN ARMS AND HANDLES

JR SOD CUTTER

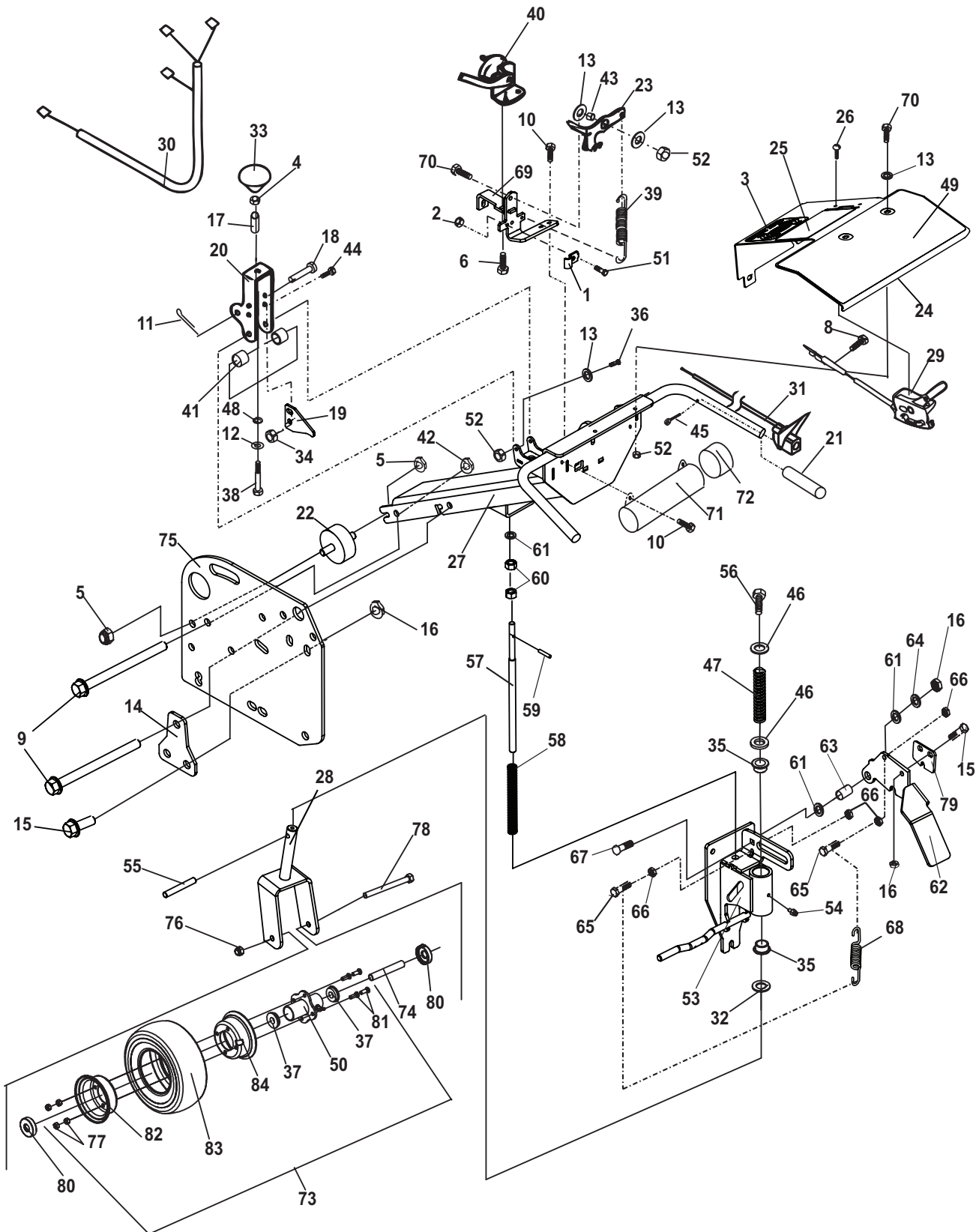
FIGURE 3

| ITEM | PART NO. | DESCRIPTION | QTY | ITEM | PART NO. | DESCRIPTION | QTY |
|------|------------|--|-----|------|------------|----------------------------|-----|
| 1 | 64123-50 | BOLT-HEX 3/8-16X1 | 2 | 34 | 545449.7 | HANDLE AY | 1 |
| 2 | 64123-107 | BOLT-HEX 5/16-18X7/8 | 4 | 35 | 524549 | ROD,TIE LOWER | 1 |
| 3 | 64123-61 | BLT-HEX 5/16-18X1-3/4 | 2 | 36 | 524550 | ROD,TIE UPPER | 1 |
| 4 | 328018 | SCRW,.44-14 1.12 YS HX | 6 | 37 | 64268-05 | NUT FL NYLCK 1/2-13 | 2 |
| 5 | 515011 | SCRW,.31-24 1.00 ZS HX | 6 | 38 | 64025-03 | NUT-HEX 5/16-24 | 6 |
| 6 | 515729 | BUSHING | 2 | 39 | 64006-16 | LOCKWSHR-5/16 HI-COLLAR | 2 |
| 7 | 516067 | BUSH,STL.515X.874X1.015 | 2 | 40 | 64151-33 | NUT-HEX 1/2-20 TOP LCK JAM | 2 |
| 8 | 4135868-02 | COVER,HANDLE YELLOW | 1 | 41 | 800513 | SCRW-SCKT 5/16-18-1-1/4 | 2 |
| 9 | 521435.7 | SHAFT, LOWER | 1 | 42 | 548056 | NUT,.44-14 YS HX UNITORQ | 6 |
| 10 | 4164446 | PLATE-ADJUSTMENT STOP | 1 | 43 | 64268-02 | NUT-FL NYLN LCK 5/16-18 | 2 |
| 11 | 4114727 | KNOB-SPEED CONTROL | 1 | 44 | 64268-03 | NUT-FL NYLN LCK 3/8-16 | 5 |
| 12 | 4175983 | LABEL-CUT DEPTH, JR SOD | 1 | 45 | 64163-99 | WSHR-.510X1.31X.179 | 5 |
| 13 | 4164384.2 | BRACKET, PIVOT | 2 | 46 | 64006-02 | LOCKWSHR-HELICAL 5/16 | 6 |
| 14 | 4164681 | S-ECCENTRIC ASSY (INCLUDES ITEMS 15 & 16) | 2 | 47 | 4113281 | WASHER, SPCL .531 SQ | 2 |
| | | | | 48 | 4132717.7 | BLADE-SOD CUTTER, 18" | 1 |
| | | | | | 546182.7 | BLADE-SOD CUTTER 12" | |
| 15 | 521424 | RING | 1 | 49 | 4164033 | LABEL-CHF VERT | 2 |
| 16 | 548814 | RACE, INNER | 1 | 50 | 2308066 | WASHER-FIBER | 1 |
| 17 | 545437 | ARM AY (INCLUDES ITEMS 18-22) | 2 | 51 | 64163-31 | WSHR-15-64X1X12GA | 1 |
| | | | | 52 | 64018-7 | BLT-CRG 3/8-16X1/1/4 | 1 |
| 18 | 64197-025 | BLT-TDFM 1/4-20X5/8 | 2 | 53 | 64268-03 | NUT-FL NYLON 3/8-16 | 1 |
| 19 | 521425 | PLATE - COVER | 1 | 54 | 4164570.7 | WLDMT-HANDLE | 1 |
| 20 | 521427 | ARM, PITMAN | 1 | 55 | 4175983 | LABEL-CUT DEPTH | 1 |
| 21 | 521428 | BRG,NDL 1.25 1.62 1.06 | 1 | 56 | 64141-6 | NUT-WLF 5/16-18 | 4 |
| 22 | 85010-03 | FITTING (KC) | 2 | 57 | 4135868-01 | COVER,HANDLE GREEN | 1 |
| 23 | 545443.7 | BRACKET AY (INCLUDES ITEMS 24, 25) | 2 | 58 | 4135868 | COVER,HANDLE BLACK | 1 |
| | | | | | | | |
| 24 | 521429 | BRONZE BEARING | 1 | | | | |
| 25 | 85010N | ZERK-GREASE | 1 | | | | |
| 26 | 4176189 | ARM AY, SIDE (INCLUDES ITEMS 27-31, 49) | 2 | | | | |
| | | | | | | | |
| 27 | 521436 | BALL BEARING | 1 | | | | |
| 28 | 521438 | GREASE SEAL | 1 | | | | |
| 29 | 548138 | BRG,NDL.88 1.12 1.00 | 2 | | | | |
| 30 | 548340 | LOCK RING (KC) | 2 | | | | |
| 31 | 85010N | ZERK-1/4 28 STR. SFTH | 4 | | | | |
| 32 | 4164541.7 | WLDMT-LEVER | 1 | | | | |
| 33 | 4176171 | S-H-FRAME W/DECAL (INCLUDES ITEM 55) | 1 | | | | |

HANDLEBAR ASSEMBLY

JR SOD CUTTER

FIGURE 4



JR SOD CUTTER

FIGURE 4

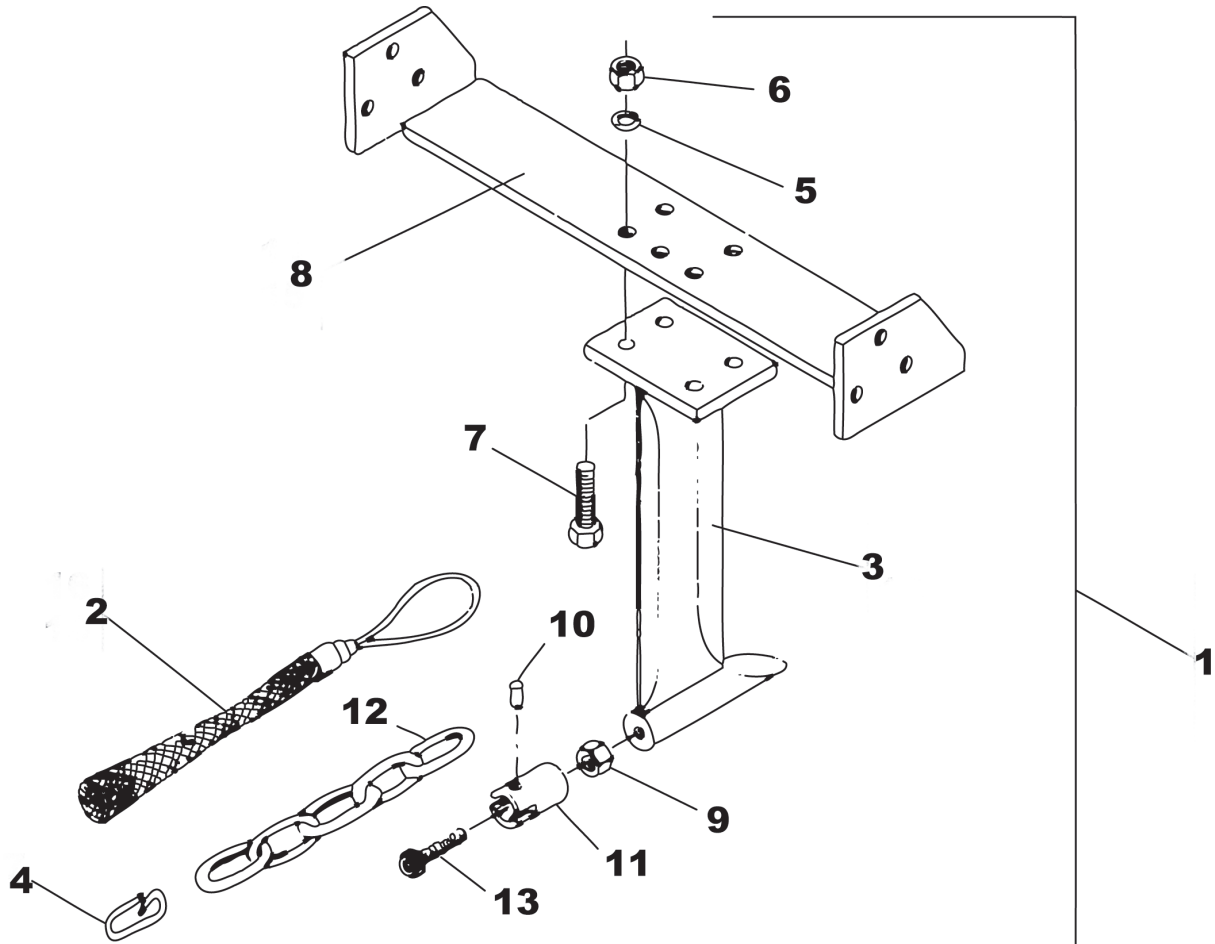
| ITEM | PART NO. | DESCRIPTION | QTY | ITEM | PART NO. | DESCRIPTION | QTY |
|--|------------|--------------------------|-----|-----------------------------------|------------|-------------------------|-----|
| 1 | 111898 | CLAMP,CABLE | 1 | 40 | 806800 | SWITCH,STOP LIGHT | 1 |
| 2 | 64025-15 | NUT-HEX #10-24 KEPS | 1 | 41 | 524577 | BUSHING, .328X.63X.41 | 2 |
| 3 | 4171082 | LABEL-RYAN EASY-STEER | 1 | 42 | 64151-18 | NUT-CENTER LOCK 3/8-16 | 2 |
| 4 | 64025-04 | NUT-HEX 3/8-24 | 1 | 43 | 814585 | BUSHING | 1 |
| 5 | 64141-4 | NUT-WLF 3/8-16 | 8 | 44 | 64139-06 | BOLT-WLH 5/16-18X5/8 | 2 |
| 6 | 64197-015 | BLT-TDFM 10-32X1/2 TORX | 2 | 45 | 800896 | SCRW-SET 1/4-20X3/8 | 1 |
| 7* | 4175985 | LABEL-VIBRATION | 1 | 46 | 64163-84 | WSHR-1.015 X 1.75 X.125 | 2 |
| 8 | 64197-023 | BLT-TDFM 10-32 X 3/4 | 1 | 47 | 4164551 | SPRING-COMP,1.06X1.28X1 | 1 |
| (USED FOR BRIGGS THROTTLE CABLE CLAMP) | | | | 48 | 64163-61 | WSHR .81X.406X16GA | 1 |
| 9 | 64123-266 | BLT-HEX 3/8-16X7 | 2 | 49 | 4175984 | LABEL-INSTRUCTION, JRS | 1 |
| 10 | 64197-025 | BLT-TDFM 1/4-20X5/8 | 4 | 50 | 2722680 | HUB-9" WHEEL W/BRGS | 1 |
| 11 | 64140-1 | COTTER PIN-1/8X1 | 1 | 51 | 64152-46 | SCREW-SLT HH 10-24X1/2 | 1 |
| 12 | 64006-03 | WSHR, 3/8 HELICAL LOCK | 1 | 52 | 64229-01 | NUT-NYLON 1/4-20 | 7 |
| 13 | 64163-03 | WSHR-.256IDX62ODX18GA. | 8 | 53 | 4175997 | S-WLDMT,REAR WHL ASSY | 1 |
| 14 | 4164473.2 | PLATE-BOLT CENTERING | 2 | (INCLUDES ITEMS 35 & 54) | | | |
| 15 | 64123-50 | BLT-HEX 3/8-16X1 | 6 | 54 | 85010N | ZERK-1/4-28 SEKF THRD | 1 |
| 16 | 64268-03 | NUT-FL NYLON LOCK 3/8-16 | 7 | 55 | 4164454 | ROD-CASTER LIMITER | 1 |
| 17 | 516544 | BUSHING (PLATING) | 1 | 56 | 64123-15 | BLT-HEX 3/8-16X3/4 | 1 |
| 18 | 64188-64 | PIN-CLEVIS 3/8 X 1.75 | 1 | 57 | 4164456 | HANDLE-ROD SUPPORT | 1 |
| 19 | 4164519.7 | FLAT-SWITCH ACTIVATION | 1 | 58 | 4164606 | SPRING-COMP, .75x11.75 | 1 |
| 20 | 522585.7 | HANDLE,CONTROL | 1 | 59 | 64176-11 | ROLL PIN-3/16 X 1 | 1 |
| 21 | 522727 | GRIP,HANDLE | 2 | 60 | 64025-19 | NUT-HEX 1/2-13 | 2 |
| 22 | C100546 | ISOLATOR-3/4X2 W/2 STUDS | 4 | 61 | 64163-67 | WSHR-.516X1X12GA | 3 |
| 23 | 524472 | ARM, PIVOT (PLATING) | 1 | 62 | 4164779.7 | BRKT-LOCKING, STRAIGHT | 1 |
| 24 | 4176191 | S-CONTROL PANEL | 1 | 63 | 518438 | BUSHING-STL .39X.5X.359 | 1 |
| (INCLUDES ITEMS 3, 25, 49) | | | | 64 | 64163-31 | WSHR-25/64X1X1/2 | 1 |
| 25 | 4175984 | LABEL-CONTROL PANEL | 1 | 65 | 64123-07 | BLT-HEX 1/4-20X1-1/2 | 2 |
| 26 | 64152-18 | SCR 8-32 X 3/8 S-TAP | 2 | 66 | 64025-01 | NUT-HEX 1/4-20 | 4 |
| 27 | 4164418.7 | WLDMT-HANDLE, JRSOD | 1 | 67 | 64018-7 | BLT-CRG 3/8-16X1-1/4 | 1 |
| 28 | 4164579.7 | WLDMT-YOKE | 1 | 68 | 4164627 | SPRING-EXTENSION | 1 |
| 29 | 540326 | CONTROL ASSY,THROTTLE | 1 | 69 | 4164475.7 | BRKT-MOUNTING | 1 |
| (USED ON HONDA MODELS ONLY) | | | | 70 | 64123-89 | BLT-HEX 1/4-20X3/4 | 5 |
| | 4163186-01 | CONTROL, THROTTLE 38.5 | 1 | 71 | 4129802 | TUBE-DOCUMENT | 1 |
| (USED ON B & S MODELS ONLY) | | | | 72 | 38061A | CAP-VINYL | 1 |
| 30 | 540229 | WIRE AY | 1 | 73 | 2722681 | ASY-9"WHEEL | 1 |
| (USED ON HONDA MODELS ONLY) | | | | (INCLUDES ITEMS 37,50, 77, 81-84) | | | |
| | 4163183 | HARNESS-JR SOD B&S | 1 | 74 | 2722230-04 | SPANNER | 1 |
| (USED ON B & S MODELS ONLY) | | | | 75 | 4164384.2 | BRACKET, PIVOT | 2 |
| 31 | 540232 | CONTROL AY, KILL SWITCH | 1 | 76 | 64229-05 | LOCKNUT-NYLON 1/2-13 | 1 |
| 32 | 64163-07 | WSHR 1-1/32X1-3/4X1/4 | 1 | 77 | 64141-1 | NUT-WLF 5/16-24 | 4 |
| 33 | 4175986 | KNOB | 1 | 78 | 64123-166 | BLT-HEX 1/2-13 X 5-1/2 | 1 |
| 34 | 64141-6 | NUT, 5/16-18 | 2 | 79 | 4164780.7 | BRACKET-ADJUSTER | 1 |
| 35 | 4129801 | BSHNG-FLNGD SINTRD IRN | 2 | 80 | 2722591 | SPACER-3/4 BEARING | 2 |
| 36 | 64189-20 | BLT-HEX SOC 1/4-20X5/8 | 2 | 81 | 64123-01 | BLT-HEX 5/16-24X3/4 | 4 |
| 37 | 2722682 | BEARING-9IN WHEEL | 2 | 82 | 2720645 | S-WHL HALF, VALVE SD | 1 |
| 38 | 64123-270 | BLT-HEX 3/8-24X2-1/4 | 1 | 83 | 38504 | S-TIRE 9X3.5-4 SMOOTH | 1 |
| 39 | 805421 | SPRING,EXTENSION | 1 | | *38505 | S-TUBE-9x3.50-4 | 1 |
| | | | | 84 | 2720644 | S-WHEEL HALF | 1 |

***NOT ILLUSTRATED**

MOLE BLADE KIT

JR SOD CUTTER

FIGURE 5



JR SOD CUTTER

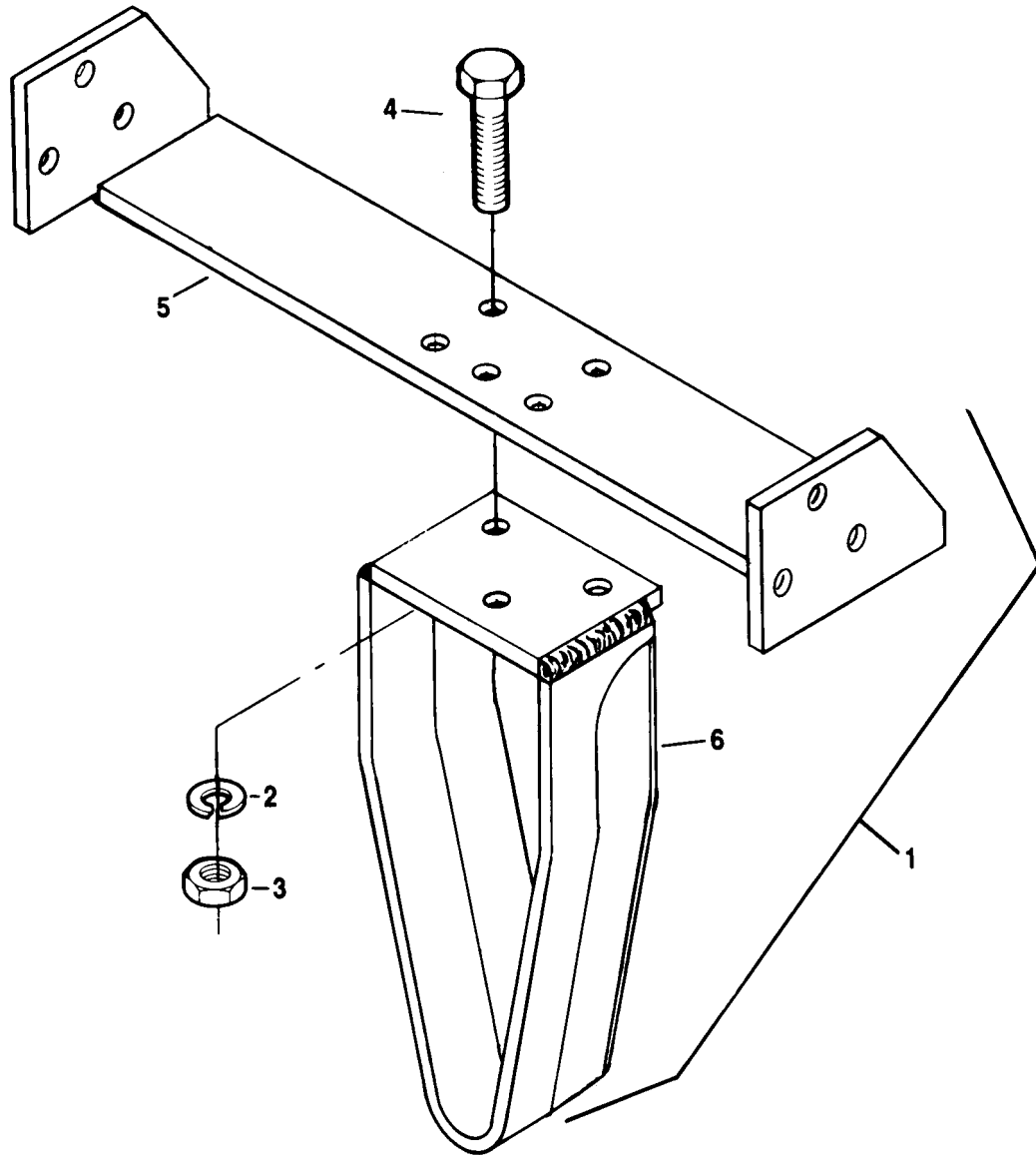
FIGURE 5

| ITEM | PART NO. | DESCRIPTION | QTY | ITEM | PART NO. | DESCRIPTION | QTY |
|------|----------|--------------------------|-----|------|----------|-------------|-----|
| 1 | 544670 | MOLE BLADE KIT- 3/4" | 1 | | | | |
| | 544673 | MOLE BLADE KIT - 1-1/4" | | | | | |
| 2 | 548613 | KELLEM GRIP 3/4" | 1 | | | | |
| | | (USED ON 544670) | | | | | |
| | 548616 | KELLEM GRIP 1-1/4" | | | | | |
| | | (USED ON 544673) | | | | | |
| 3 | 544692 | BLADE AY, MOLE 1-1/4" | 1 | | | | |
| | | (INCLUDES ITEMS 9-13) | | | | | |
| | 544689 | BLADE AY, MOLE 3/4" | 1 | | | | |
| | | (INCLUDES ITEMS 9-13) | | | | | |
| 4 | 808222 | LINK,CHAIN CONN | 1 | | | | |
| 5 | 64006-03 | WSHR, 3/8 HELICAL LOCK | 4 | | | | |
| 6 | 64025-04 | NUT-3/8-24 HEX | 4 | | | | |
| 7 | 64123-21 | BLT-HEX 3/8-24X1-1/4 | 4 | | | | |
| 8 | 546089.7 | BRACKET,MOLE BLADE | 1 | | | | |
| 9 | 64025-02 | NUT-HEX 5/16-18 | 1 | | | | |
| 10 | 316943 | PIN,SPIROL.250.750 PS | 1 | | | | |
| 11 | 515691 | SWIVEL | 1 | | | | |
| 12 | 547052 | CHAIN AY | 1 | | | | |
| 13 | 800513 | SCREW-SCKT 5/16-18-1-1/4 | 1 | | | | |

TRENCHING BLADE

JR SOD CUTTER

FIGURE 6



JR SOD CUTTER

FIGURE 6

| ITEM | PART NO. | DESCRIPTION | QTY | ITEM | PART NO. | DESCRIPTION | QTY |
|------|----------|-----------------------------------|-----|------|----------|-------------|-----|
| 1 | 546199 | BLADE KIT (INCLUDES ITEMS 2-6) | 1 | | | | |
| 2 | 64006-03 | WSHR, 3/8 HELICAL LOCK | 3 | | | | |
| 3 | 64025-04 | NUT-3/8-24 HEX | 3 | | | | |
| 4 | 64123-21 | BLT-HEX 3/8-24X1-1/4 | 3 | | | | |
| 5 | 546089.7 | BRACKET,12"-MOLE BLADE | 1 | | | | |
| 6 | 546198 | BLADE AY,TRENCHING | 1 | | | | |

SCHILLER GROUNDS CARE, INC.
ONE BOB-CAT LANE
P.O. BOX 469
JOHNSON CREEK, WI 53038
920-699-2000
www.schillergc.com



©Schiller Grounds Care, Inc. 2010