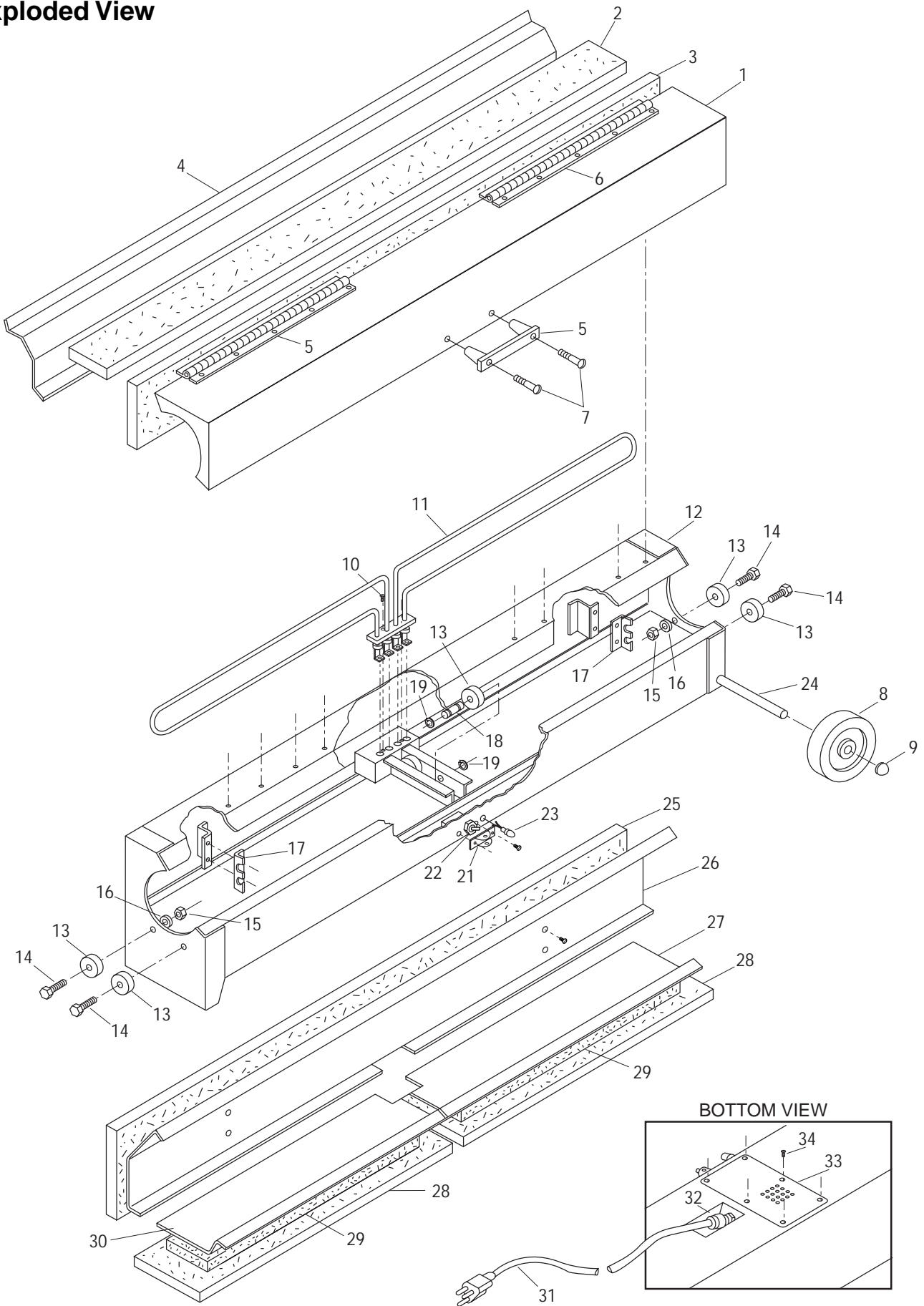


Exploded View



PARTS AND SERVICE

Parts List

1	503 5583.0	Cover unit (includes 2 – 5)	1
2	503 5595.3	Insulation, top cover	1
3	503 5594.5	Insulation, rear cover	1
4	503 5590.2	Reflector, cover	1
5	905 2970.7	Handle	1
6	503 5598.8	Hinge	2
7	905 2969.3	Screw, machine, #10 – 24 x 2.00 round head	2
8	905 3296.1	Wheel	2
9	905 2265.6	Retainer, push-on	2
10	905 0704.5	Screw, machine, #10 – 32 x .375 round head	2
11	503 5592.9	Heating element	1
12	503 5582.1	Housing unit	1
13	905 2971.5	Wheel	6
14	905 0877.7	Screw, cap, 1/4 – 20 x 1.250 hex head	4
15	905 1593.5	Nut, hex, 1/4 – 20	4
16	905 2339.3	Washer, flat, .312 x .750 x .090	4
17	503 5601.1	Bracket, heating element	2
18	503 5599.6	Pin, roller	2
19	905 0937.4	Retaining ring, .250, Truarc #5100-25	4
21	918 6410.0	Guard, switch	1
22	918 6409.7	Switch, toggle	1
23	918 6091.1	Pilot light	1
24	503 5600.3	Axle, wheel	1
25	503 5596.1	Insulation, rear	1
26	503 5587.2	Reflector, rear	1
27	503 6311.5	Reflector, lower right	1
28	503 5597.0	Insulation, bottom	2
29	503 7189.4	Insulation, lower reflector	2
30	503 6310.7	Reflector, lower left	1
31	503 5603.8	Cord, power	1
32	918 6441.0	Grip, cord	1
33	503 5593.7	Cover, electrical	1
34	905 2401.2	Screw, #10 – 32 x .375	7

Decals and Warning Plate

503 6097.3	Plate, Hot Warning	1
503 6098.1	Decal, Lift Point	1
503 6096.5	Decal, Use GFCI Cord	1
503 5191.5	Decal, Safety Instruction	1
503 0392.9	Decal, Damp Warning	1