

# **Power Dog**™

## **Parts Breakdown**

# AMBUSH

Agricultural / Commercial / Industrial

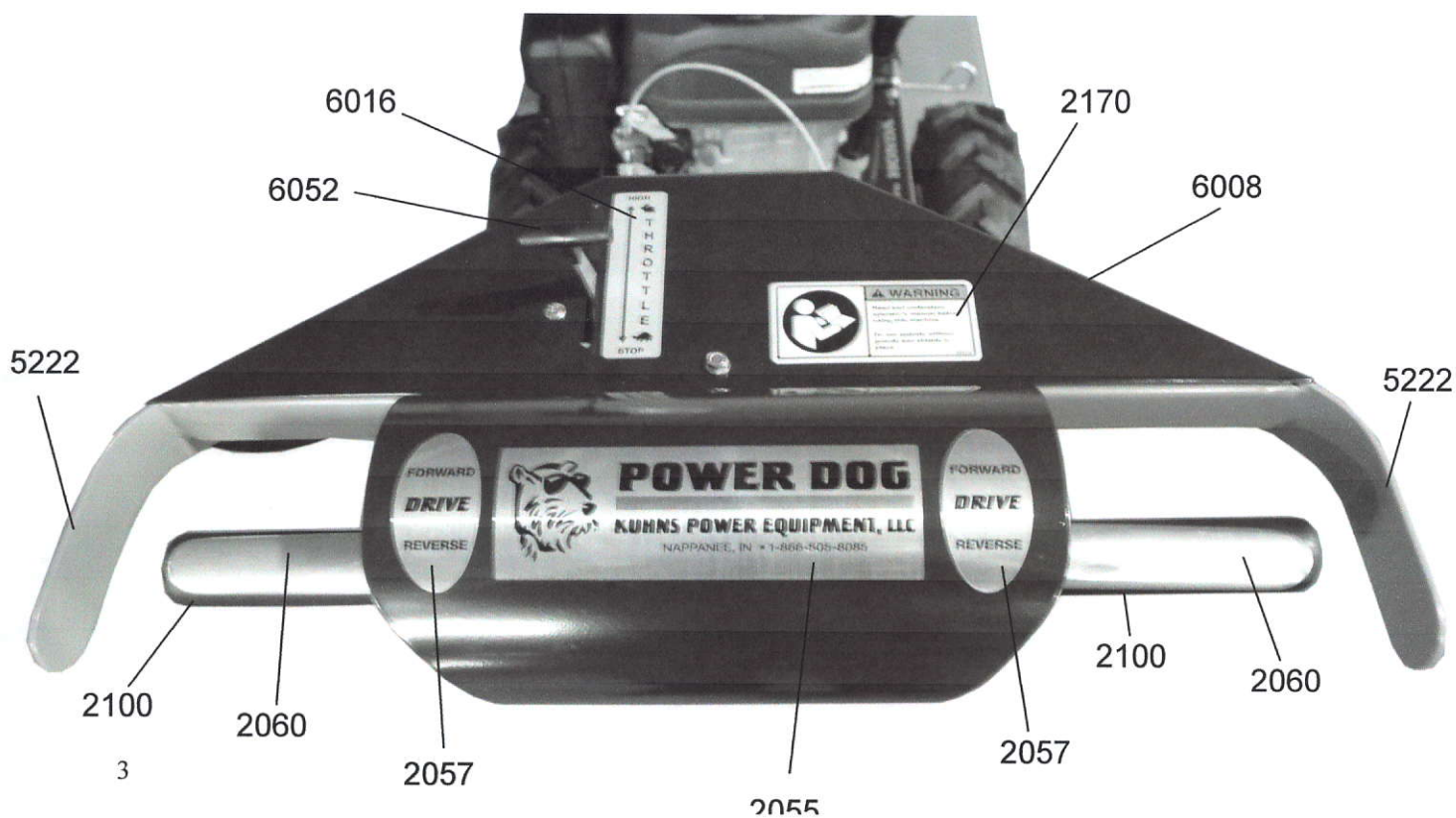
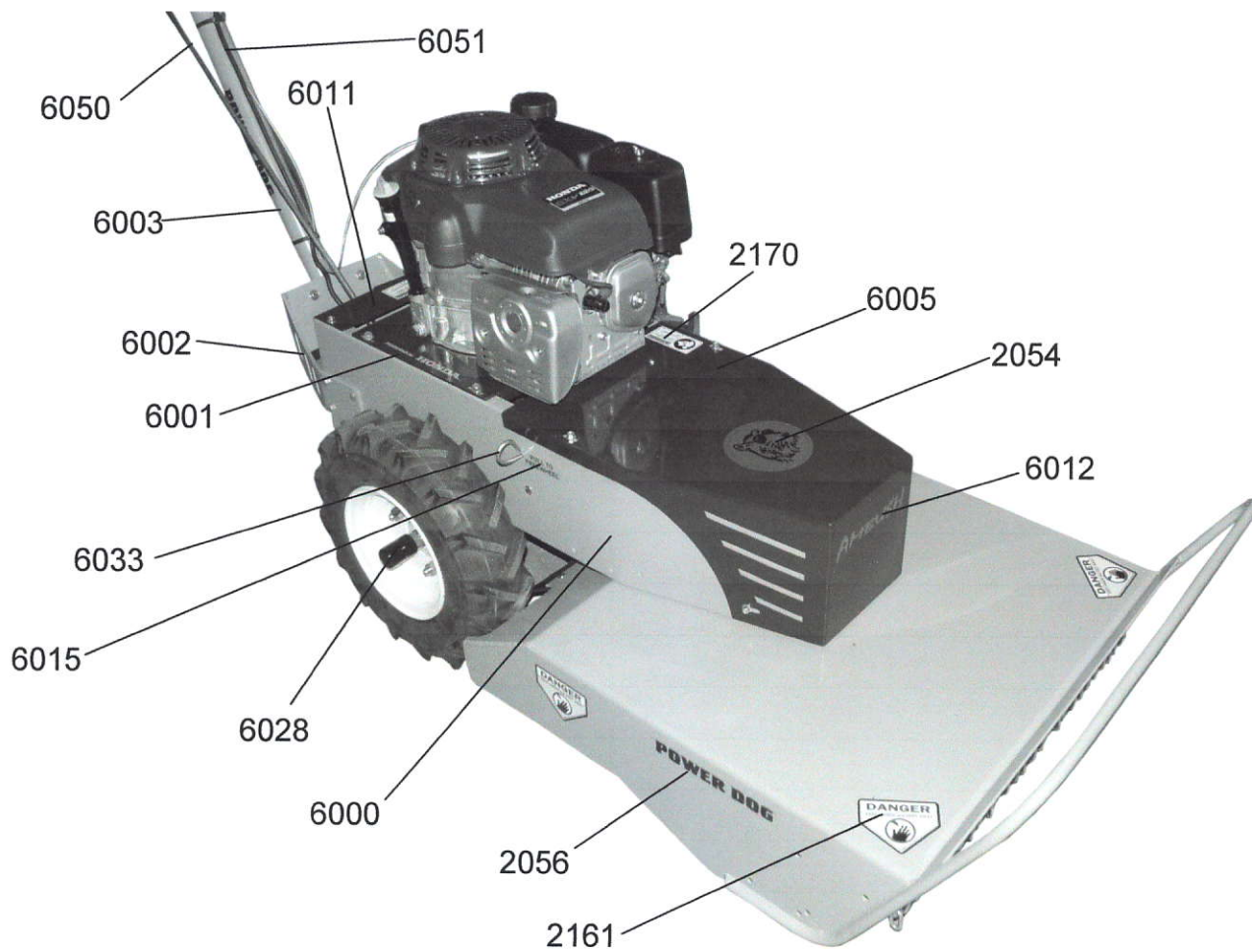


## **KUHNS POWER EQUIPMENT, LLC**

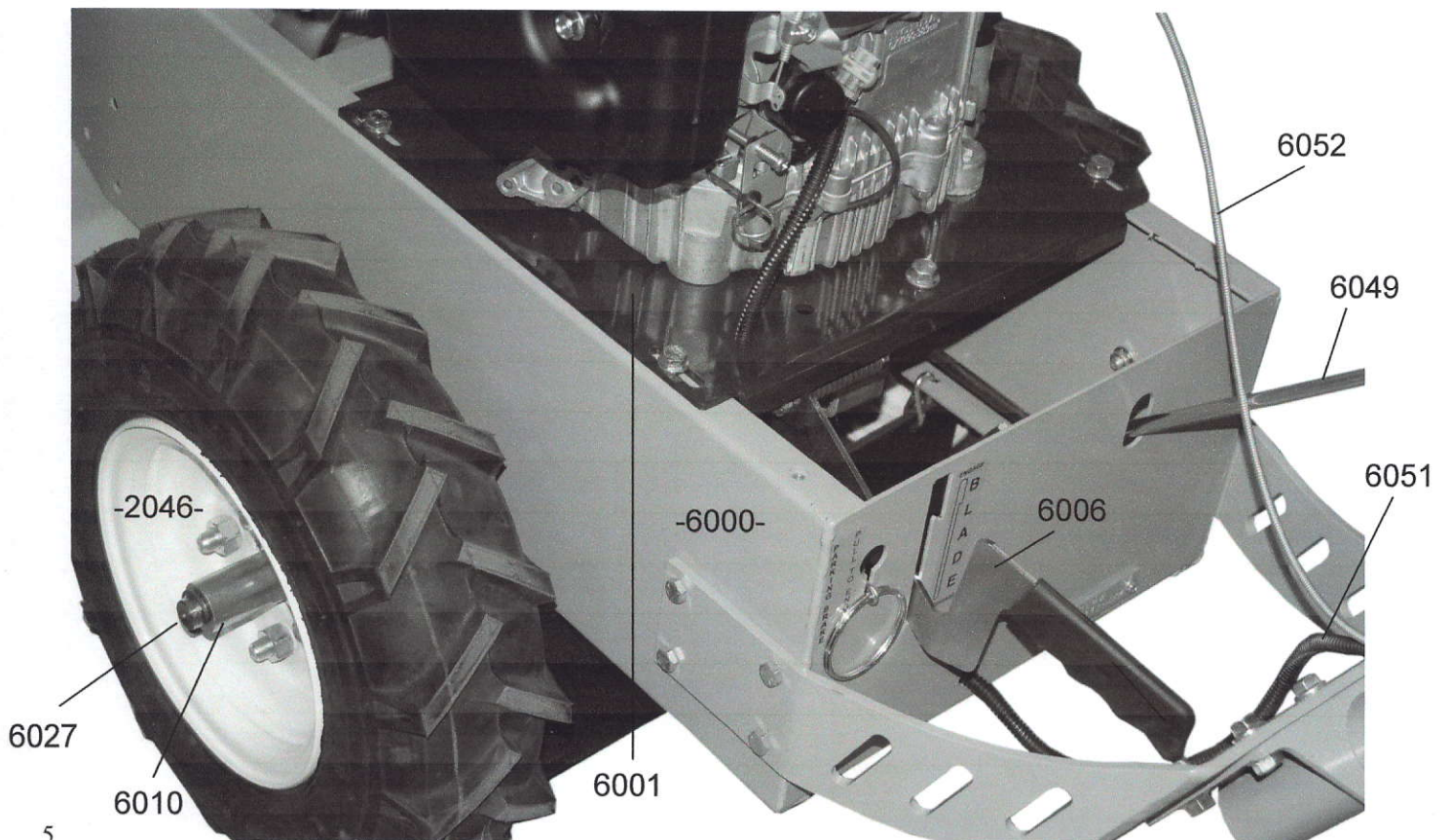
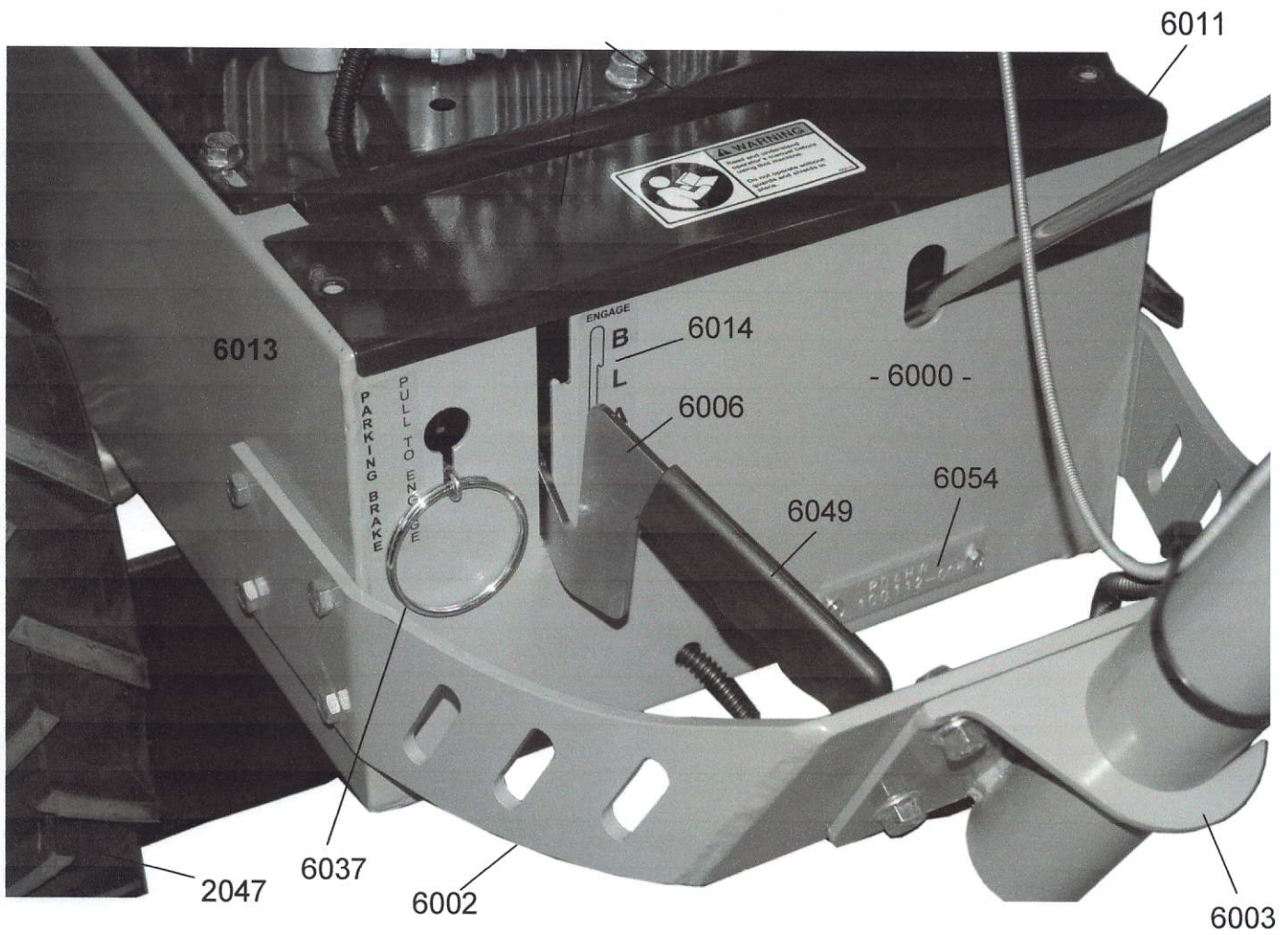
10101 Shively Road, (C.R. 46) - Nappanee, IN 46550

Ph. 574-862-4592 / 1-866-505-8085

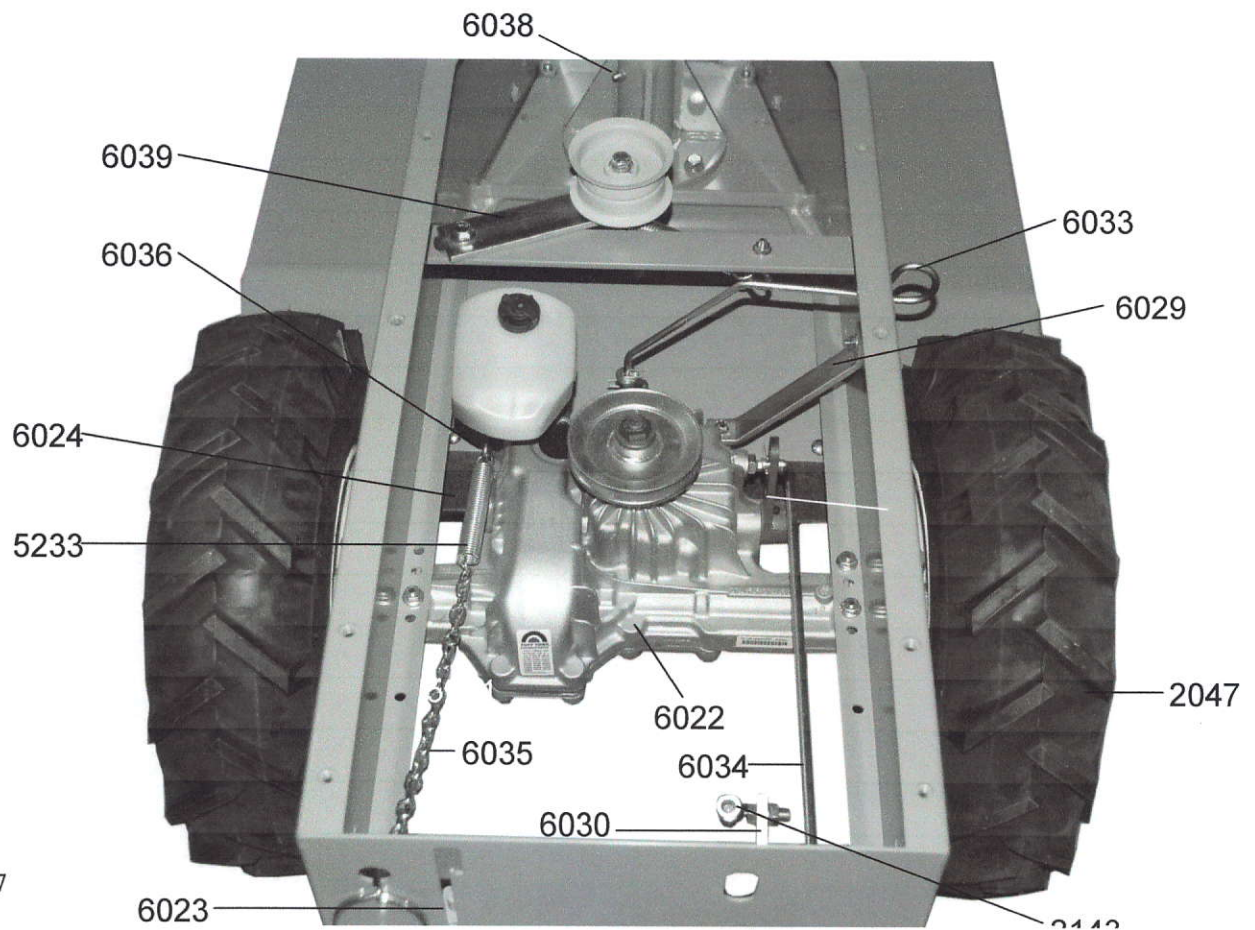
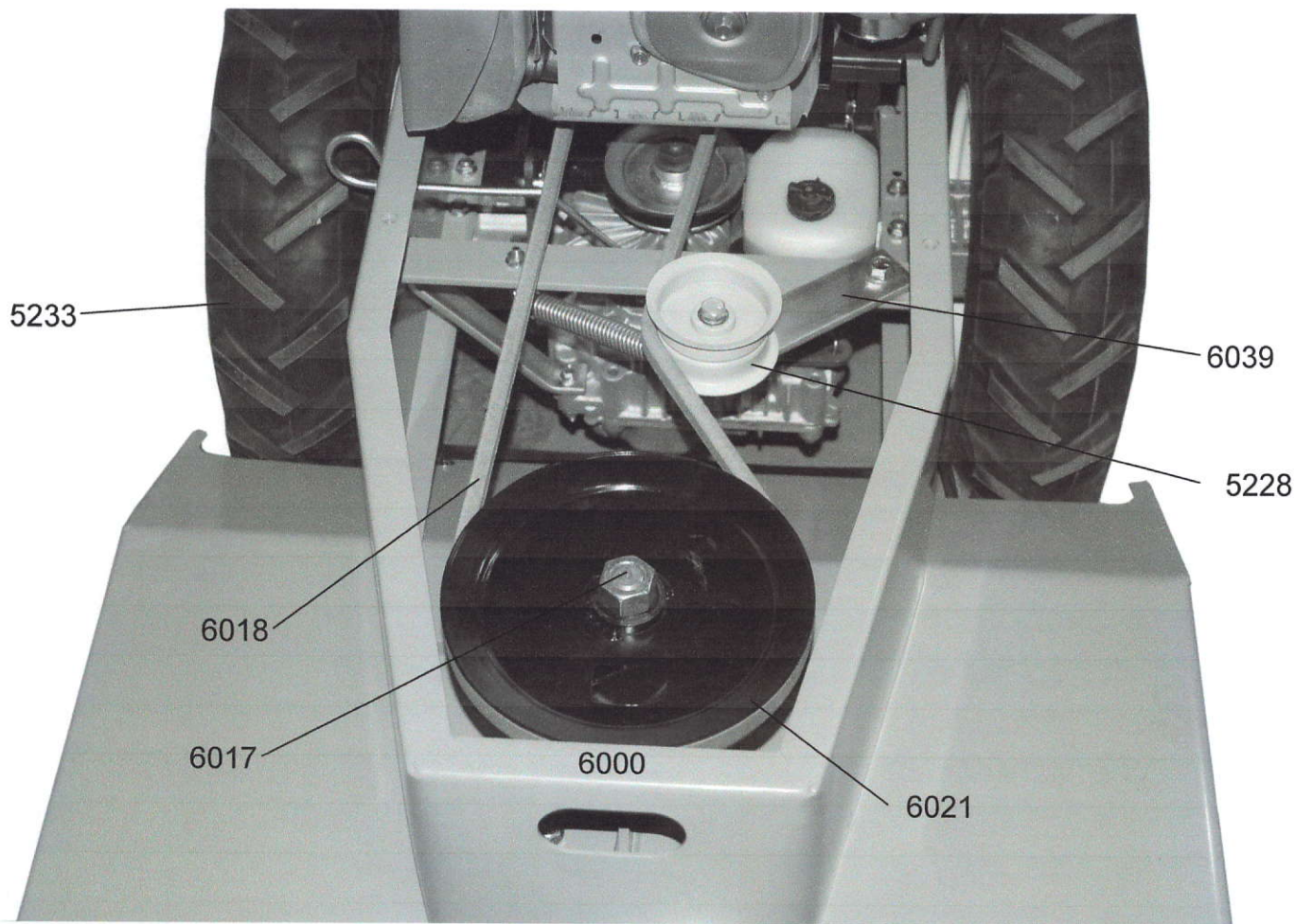
<b><u>PART #</u></b>	<b><u>DESCRIPTION</u></b>
KP2056	Decal, Powerdog
KP2161	Label, Danger
KP2054	Decal, Round Logo
KP2170	Label, Manual - Warning
KP2060	Paddle, Safety
KP2100	Grip, 7/8"
KP2055	Decal, Info
KP2057	Decal, Forward-Reverse
KP6000	Main Frame
KP6001	Engine Plate
KP6002	Bottom Handle Bracket
KP6003	Handle
KP6004	Enclosed Deck
KP6005	Cover, Front
KP6008	Control Panel
KP6011	Cover, Rear
KP6012	Decal, Ambush
KP6016	Label, Throttle
KP6028	Caps, Axle
KP6033	Rod, Freewheel Engage
KP6050	Control Rod
KP6051	Wire Harness
KP6052	Throttle
KP6015	Label, Pull to Freewheel



<b><u>PART #</u></b>	<b><u>DESCRIPTION</u></b>
KP2047	Tire, 480 x 8 4 ply
KP2046	Rim, 8 x 3.75
KP6000	Main Frame
KP6001	Engine Plate
KP6002	Bottom Handle Bracket
KP6003	Handle
KP6006	Engagement Lever
KP6010	Hub
KP6011	Cover, Rear
KP6013	Label, Park Brake
KP6014	Label, Engage Blade
KP6027	E-Clips
KP6037	Split Ring 2"
KP6049	Grip, 1 x 4, Handle
KP6050	Control Rod
KP6051	Wire Harness
KP6052	Throttle
KP6054	Tag, Model
KP2042	Valve Stem

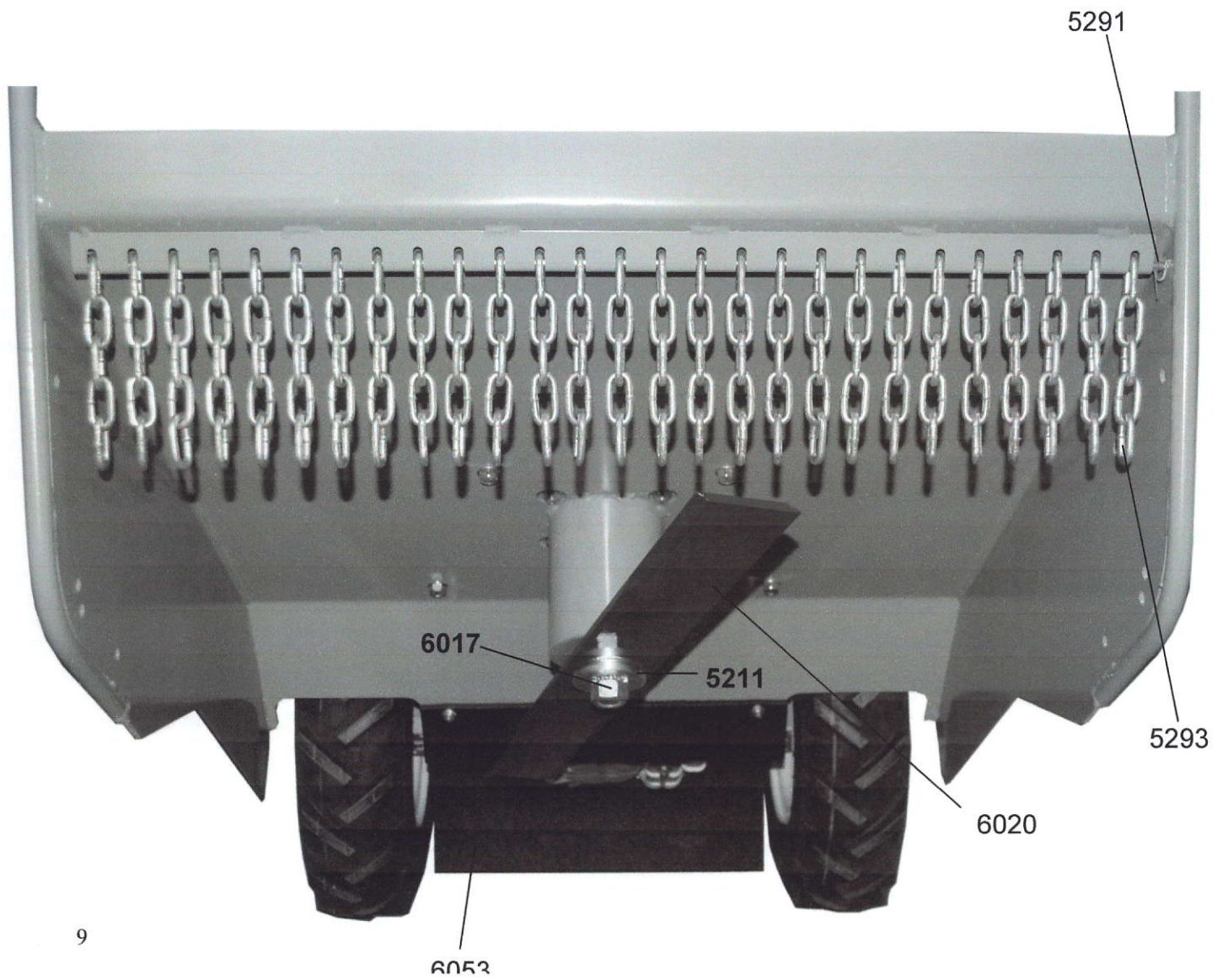
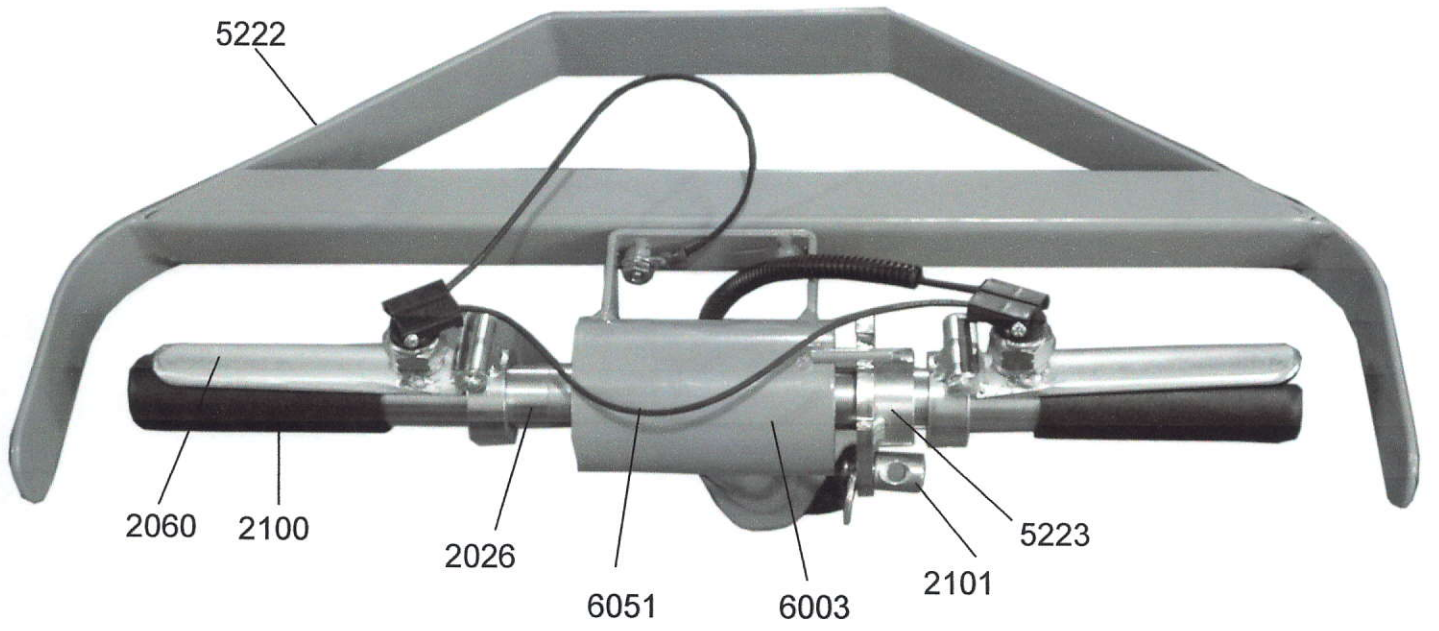


<b><u>PART #</u></b>	<b><u>DESCRIPTION</u></b>
KP5233	Spring, Idler
KP5228	Pulley, Idler
KP2143	Ball Joint, 3/8 - 24
KP2047	Tire, 480 x 8 4 ply
KP6017	Nut 3/4 blade, Spindle
KP6018	Belt, Blade
KP6021	Pulley, 8" x 3/4"
KP6022	Transaxle
KP6023	Switch, Interlock
KP6024	Skidder, Trans
KP6029	Bracket, Trans Support
KP6030	Control Pivot
KP6033	Rod, Freewheel Engage
KP6034	Connecting Rod
KP6035	Chain, Park Brake
KP6036	Hook, S 1 7/8"
KP6037	Splitting, 2"
KP6038	Grease Zirk
KP6039	Idler Arm

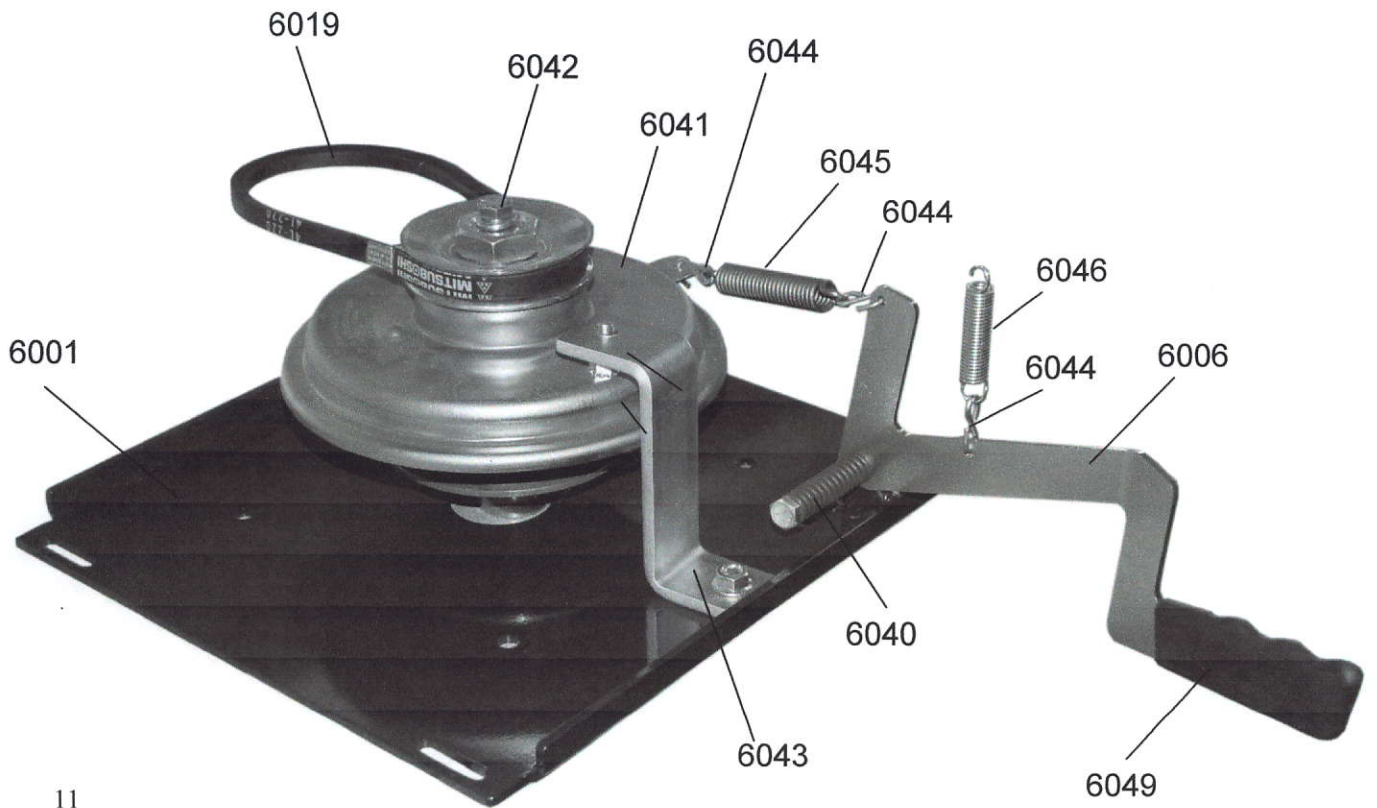
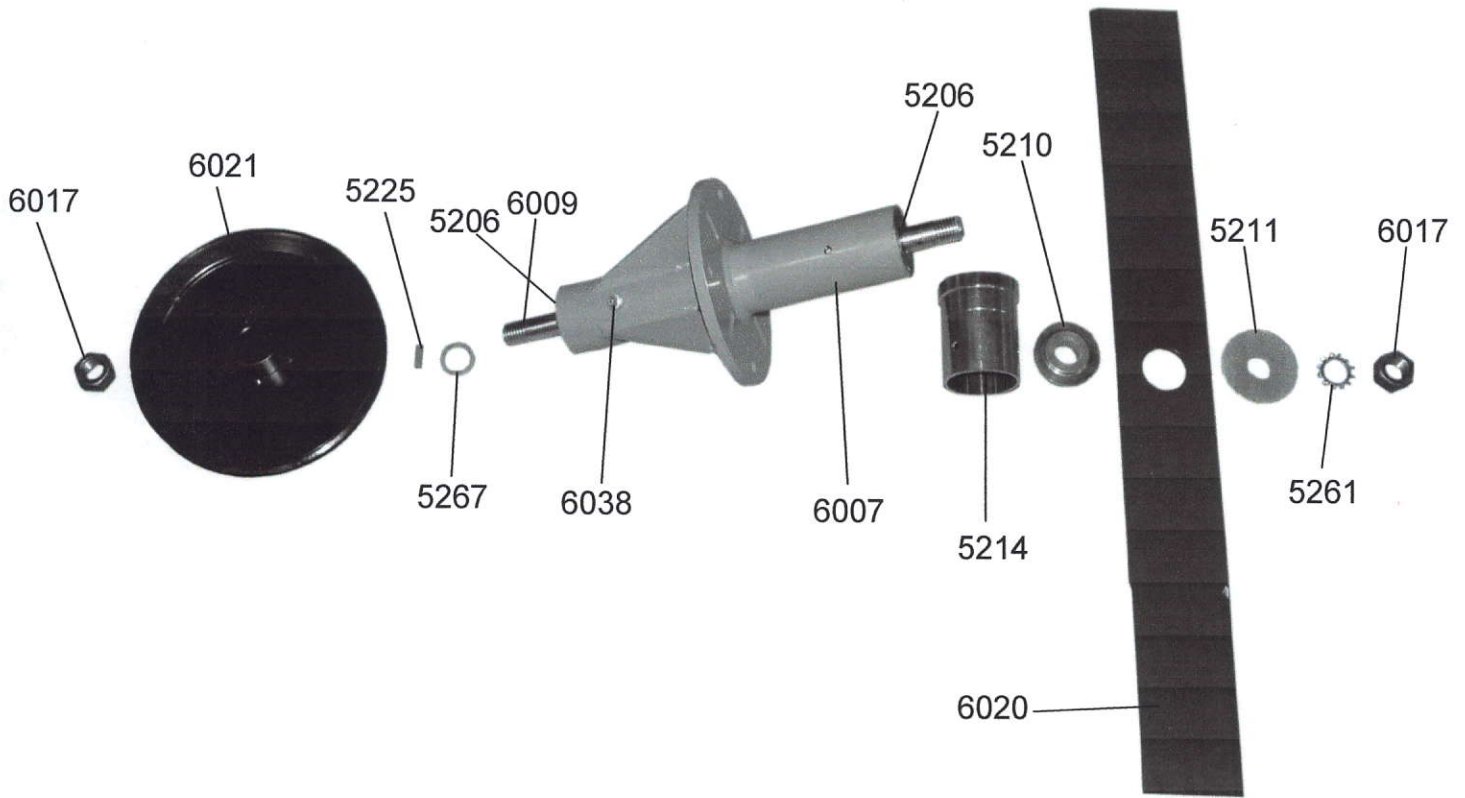


<b><u>PART #</u></b>	<b><u>DESCRIPTION</u></b>
KP5293	Chain, Deck
KP5291	Rod, 1/4 Chain
KP5211	Lower Chuck, Blade
KP5223	Drive Collar
KP2101	Block, Swivel 7/8
KP2026	Handle Bar
KP2060	Paddle, Safety
KP2100	Grip, 7/8"
KP5222	Frame, Control Panel
KP6017	Nut, 3/4 Blade, Spindle
KP6020	Blade 26")
KP6051	Wire Harness
KP6053	Flap, Debris

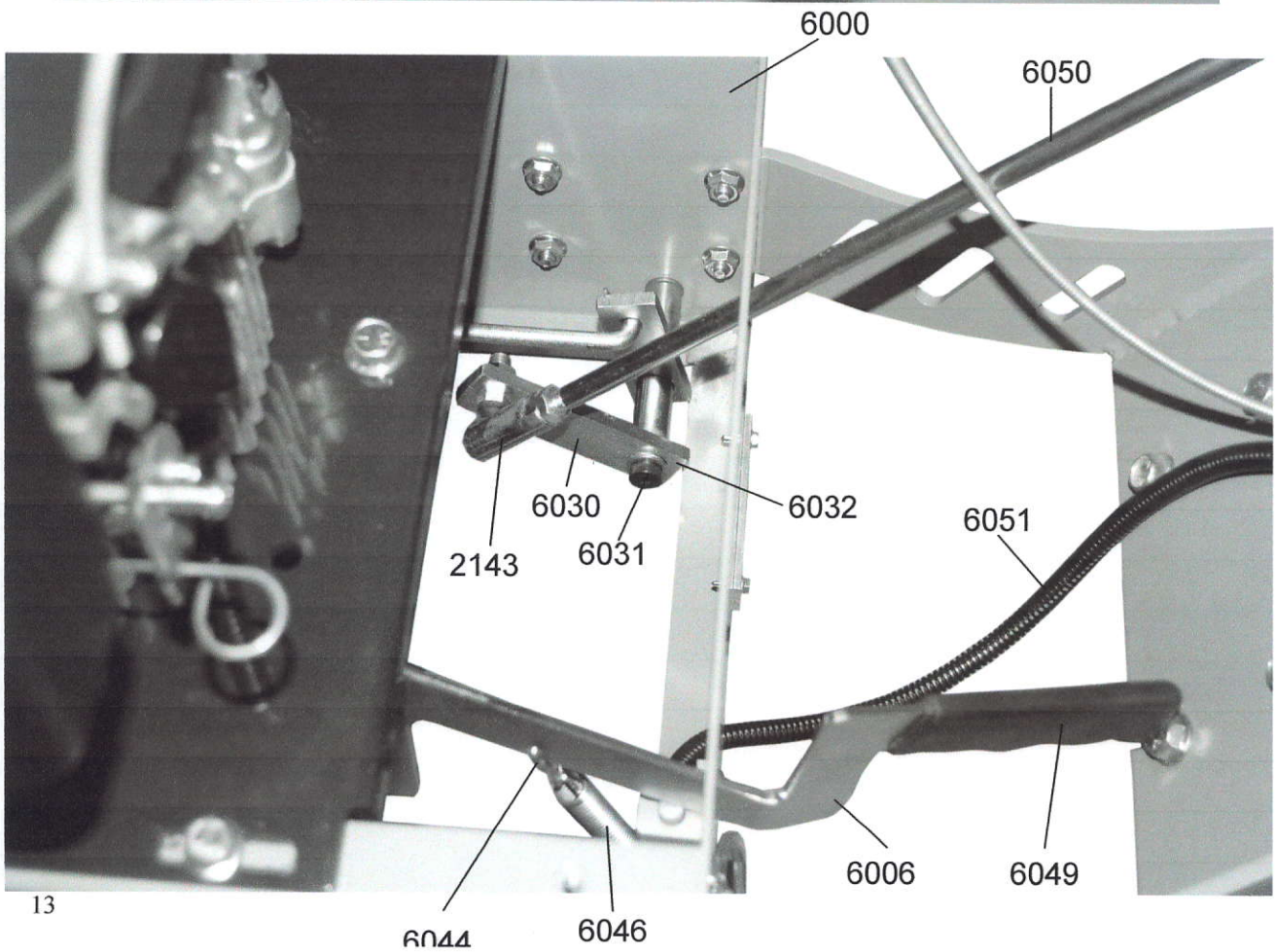
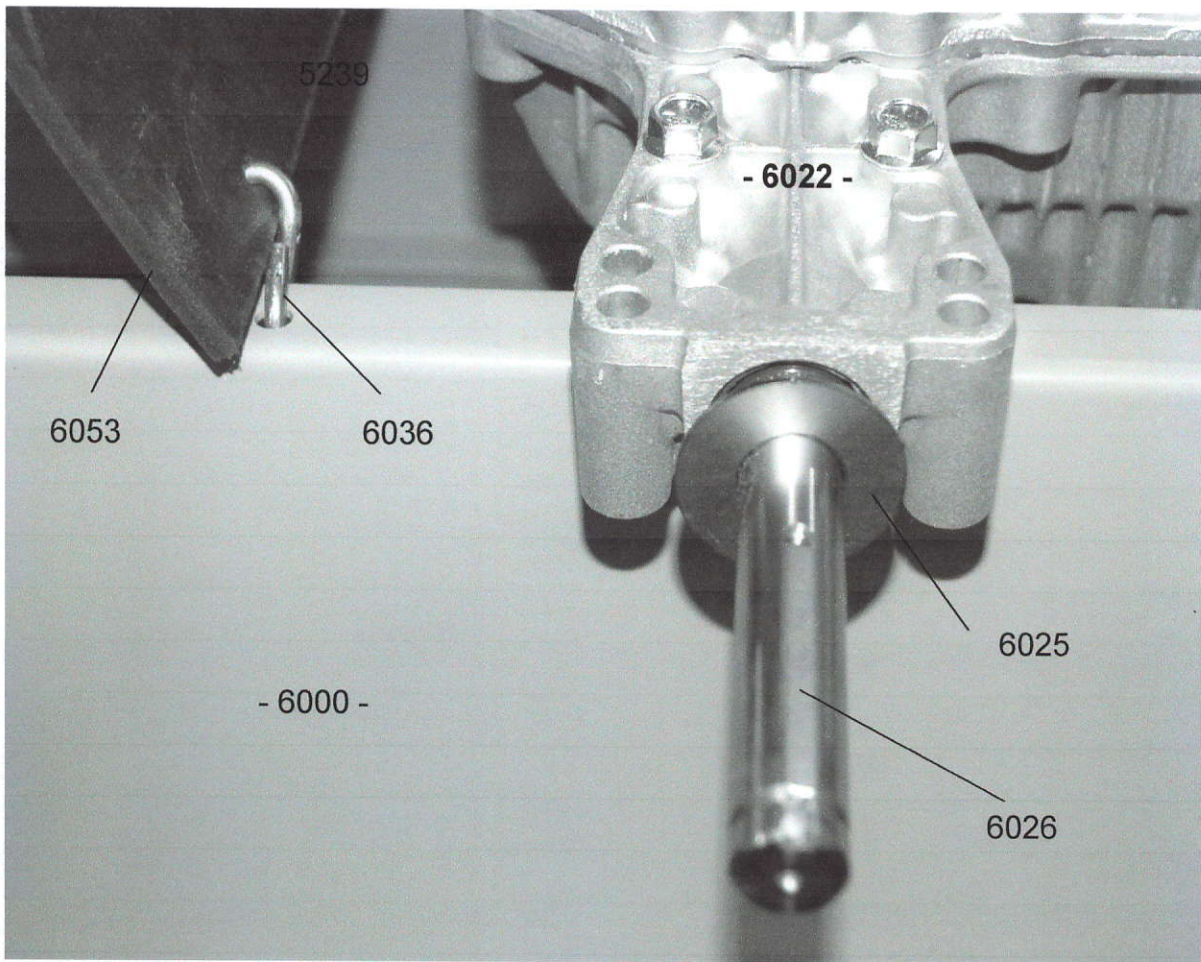




<b><u>PART #</u></b>	<b><u>DESCRIPTION</u></b>
KP5261	Washer, Star 3/4"
KP5210	Upper Chuck, Blade
KP5214	Collar, Head
KP5267	Spacer, Spindle
KP6001	Engine Plate
KP6006	Engagement Lever
KP6007	Spindle Housing
KP6009	Spindle
KP6017	Nut, 3/4 Blade Spindle
KP6019	Belt, Trans.
KP6020	Blade, 26"
KP6021	Pulley, 8" x 3/4"
KP6040	Spring, Compression
KP6041	Clutch
KP6042	Bolt, 7/16 -20 x 3 1/2
KP6043	Bracket, Anti Rotation
KP6044	Hook, 1 1/8 S
KP6045	Spring, Clutch
KP6046	Spring, Safety Switch
KP6049	Grip, 1 x 4 Handle
KP5206	Spindle Bearing (Top & Bottom)



<b><u>PART #</u></b>	<b><u>DESCRIPTION</u></b>
KP6053	Flap Debris
KP6050	Control Rod
KP6000	Main Frame
KP6036	S Hook, 1 7/8"
KP6022	Transaxle
KP6025	Washer, Hub
KP6026	Key, 3/16 x 2 1/4
KP2143	Balljoint, 3/8 - 24
KP6030	Control Pivot
KP6031	Bolt, Shoulder 3/8 x 3 3/4
KP6032	Bushing, 3/8
KP6051	Wire Harness
KP6044	S Hook 1 1/8
KP6046	Spring, Safety Switch
KP6006	Engagement Lever
KP6049	Grip, 1/4 x 1 Handle



# Power Dog™ WARRANTY STATEMENT

## SECTION 1: LIMITED WARRANTY

Kuhn's Power Equipment, LLC, warrants Power Dog product to the original purchaser to be free from defects in material and workmanship from the date of purchase for the "Warranty Period" of the product as set forth below:

**Batteries:** 1 year prorated limited warranty with 100% replacement during the first 6 months.

**Power Dog Safety Apparel** carries a 6 month warranty from the date of the customer's original purchase for defects in material and workmanship. Normal wear, tear or abuse is not covered under warranty. Product must be returned to Nap-panee with a warranty claim form. All care and maintenance instructions must be followed as stated by the manufacturer on the care label.

## SECTION 2: KUHN'S POWER EQUIPMENT LLC OBLIGATIONS UNDER THE WARRANTY

Kuhn's Power Equipment will repair or replace defective components without charge for parts or labor if a component fails because of a defect in material or workmanship during the warranty period.

## SECTION 3: ITEMS NOT COVERED BY THIS WARRANTY

The following items are not covered by this warranty:

- (1) Normal customer maintenance items which become worn through normal regular use, including, but not limited to, belts, blades, blade adapters, bulbs, clutches, clutch drums, filters, guide bars, lubricants, rewind springs, spark plugs, starter ropes and tines;
- (2) Natural discoloration of material due to ultraviolet light;
- (3) Engine and drive systems not manufactured by Kuhns Power Equipment LLC; these items are covered by the respective manufacturer's warranty as provided in writing with the product information supplied at the time of purchase; all claims must be sent to the appropriate manufacturer;
- (4) Lawn and garden attachments are covered by a third party which gives a warranty, all claims for warranty should be sent to the manufacturer;
- (5) Emission Control System components necessary to comply with CARB-TIER II and EPA regulations which are manufactured by third party engine manufacturer.

## SECTION 4: EXCEPTIONS AND LIMITATIONS

This warranty shall be inapplicable to defects resulting from the following:

- (1) Accident, abuse, misuse, negligence and neglect, including stale fuel, dirt, abrasives, moisture, rust, corrosion, or any adverse reaction due to incorrect storage or use habits;
- (2) Failure to operate or maintain the unit in accordance with the Owner's/Operator's manual or instruction sheet furnished by Kuhns Power Equipment LLC;

- (3) Alterations or modifications that change the intended use of the product or affects the product's performance, operation, safety, or durability, or causes the product to fail to comply with any applicable laws; or
- (4) Additional damage to parts or components due to continued use occurring after any of the above.

REPAIR OR REPLACEMENT AS PROVIDED UNDER THIS WARRANTY IS THE EXCLUSIVE REMEDY OF THE PURCHASER. KUHN'S POWER EQUIPMENT LLC SHALL NOT BE LIABLE FOR ANY INCIDENTAL OR CONSEQUENTIAL DAMAGES FOR BREACH OF ANY EXPRESS OR IMPLIED WARRANTY ON THESE PRODUCTS EXCEPT TO THE EXTENT PROHIBITED BY APPLICABLE LAW. ANY IMPLIED WARRANTY OF MERCHANTABILITY OR FITNESS FOR A PARTICULAR PURPOSE ON THESE PRODUCTS IS LIMITED IN DURATION TO THE WARRANTY PERIOD AS DEFINED IN THE LIMITED WARRANTY STATEMENT. KUHN'S POWER EQUIPMENT LLC RESERVES THE RIGHT TO CHANGE OR IMPROVE THE DESIGN OF THE PRODUCT WITHOUT NOTICE, AND DOES NOT ASSUME OBLIGATION TO UPDATE PREVIOUSLY MANUFACTURED PRODUCTS.

Some states do not allow the exclusion of incidental or consequential damages, or limitations on how long an implied warranty lasts, so the above limitations or exclusions may not apply to you. This warranty gives you specific legal rights, and you may also have other rights which vary from state to state.

## SECTION 5: CUSTOMER RESPONSIBILITIES

The product must exhibit reasonable care, maintenance, operation, storage and general upkeep as written in the maintenance section of the Owner's/Operator's manual. Should an operational problem or failure occur, the product should not be used, but delivered as is to an authorized Power Dog retailer for evaluation. Proof of purchase, as explained in section 6, rests soles with the customer.

## SECTION 6: PROCEDURE TO OBTAIN WARRANTY CONSIDERATION

It is the Owner's and Retailer's responsibility to make certain that the Warranty Registration Card is properly filled out and mailed to Kuhns Power Equipment LLC. This card should be mailed within ten (10) days from the date of purchase in order to confirm the warranty and to facilitate post-sales service.

Proof of purchase must be presented to the authorized Power Dog retailer in order to obtain warranty service. This proof must include date purchased, model number, serial number, and complete name and address of the selling retailer.

To obtain the benefit of this warranty, the product believed to be defective must be delivered to an authorized Power Dog retailer in a timely manner, no later than thirty (30) days from date of the operational problem or failure. The product must be delivered at the owner's expense. Downtime, pick-up and delivery charges are not covered by this warranty.