



[Click Here To View](#)  
[Item at](#)

[www.GapPower.com](http://www.GapPower.com)

*Sales • Rentals  
Parts & Service*

SINCE 1839

**BRINLY**

SINCE 1839

**BRINLY**

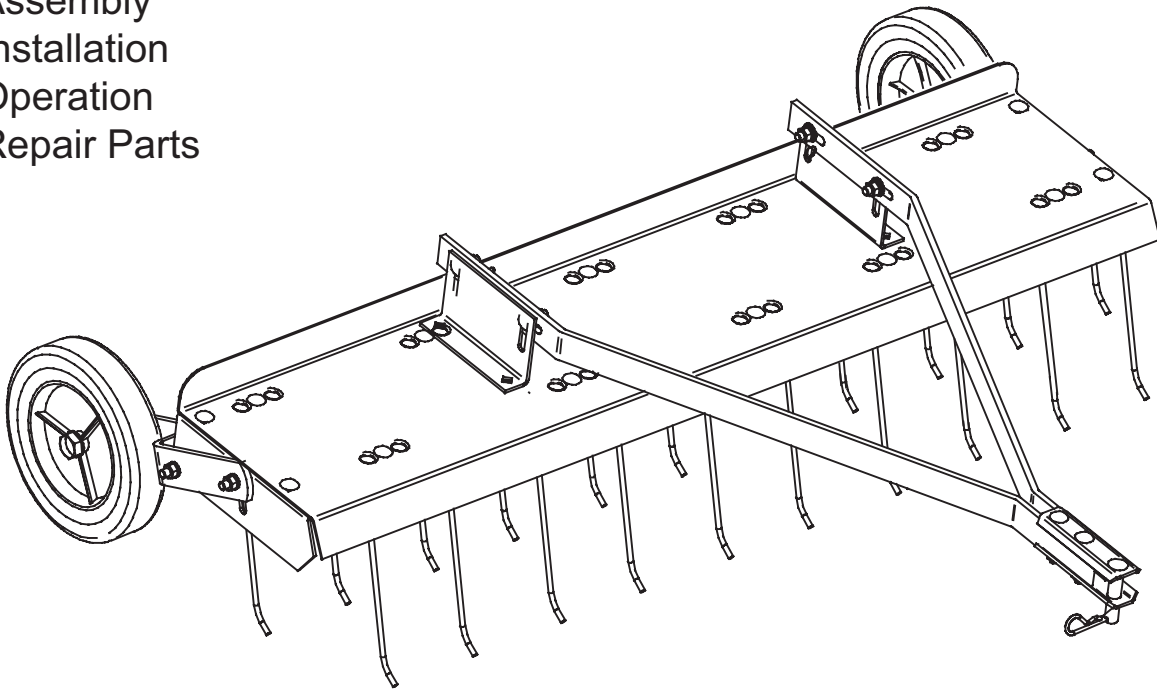
# OWNER'S MANUAL

## **DETHATCHER**

**MODEL:**

**DT-400 BH**

- Assembly
- Installation
- Operation
- Repair Parts



For the latest product updates and setup tips:

Visit us on the web!  
[www.brinly.com](http://www.brinly.com)

Important: This manual contains information for the safety of persons and property. Read it carefully before assembly and operation of the equipment!

CONGRATULATIONS on your new Brinly-Hardy Dethatcher! Your dethatcher has been designed, engineered and manufactured to give you the best possible dependability and performance.

Should you experience any problem you can not easily remedy, please do not hesitate to contact our knowledgeable customer service department toll-free at 1-877-728-8224. We have competent, well trained technicians to help you.

Please read and retain this manual. The instructions will enable you to assemble and maintain your dethatcher properly. And please, always observe the "Safety Rules".



## CUSTOMER RESPONSIBILITIES \_\_\_\_\_

Read and Observe the "Safety Rules".

Follow a regular schedule in maintaining, caring-for and using your Brinly-Hardy Dethatcher.

## TABLE OF CONTENTS \_\_\_\_\_

SAFETY RULES .....	2
REFERENCE.....	3
EXPLODED REFERENCE .....	4
PARTS REFERENCE.....	5
ASSEMBLY .....	6-9
MAINTENANCE.....	10
OPERATION.....	10
PRODUCTS.....	11
WARRANTY.....	11



## RULES FOR SAFE OPERATION \_\_\_\_\_

- Know controls and how to stop safely, READ THE OWNER'S MANUAL before operating.
- Do not allow children to operate the vehicle, do not allow adults to operate without proper instruction or without having read the owner's manual.
- Do not carry passengers. Keep children and pets a safe distance away.
- Always wear substantial footwear. Do not wear loose fitting clothing that can get caught in moving parts.
- Keep your eyes and mind on your tractor/attachment and area being covered. Do not let other interests distract you.
- Stay alert for holes in the terrain and other hidden hazards.
- Do not drive close to creeks, ditches and public highways.
- Watch out for traffic when crossing or near roadways.

When using any attachment, don't allow anyone near

- the vehicle while in operation.
- Keep the vehicle and attachment in good operating condition and keep safety devices in place.
- Keep all nuts, bolts and screws tight to be sure the equipment is in safe working condition.
- The vehicle and attachment should be stopped and inspected for damage after striking a foreign object. The damage should be repaired before restarting and operating the equipment.
- See tractor equipment owner's manual for safe operation of the equipment.



## OPERATING HINTS \_\_\_\_\_

- Never operate De-thatcher without safety wires installed.
- Always disconnect De-thatcher from tractor when cleaning or servicing unit.
- Do not stand or ride on De-thatcher, bodily injury could result.
- Only tow your De-thatcher behind vehicles for which it was designed, riders and lawn/ garden tractors.
- To avoid personal injury and/or equipment damage, never exceed the recommended operating speed range of 3 to 5 M.P.H.
- When backing, carefully back straight to avoid jack-knifing which could result in damage to equipment.

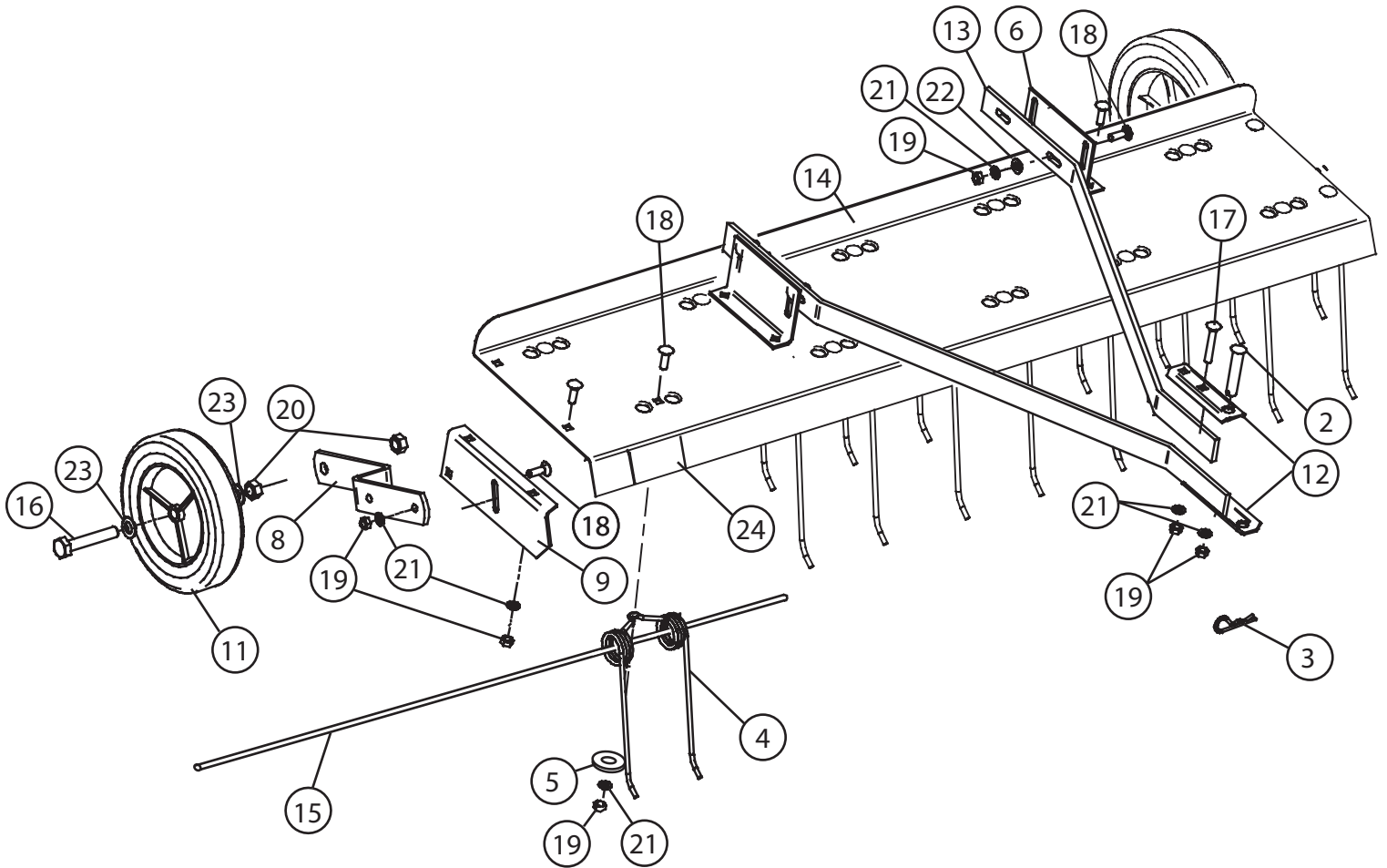


This symbol will help to point out important safety precautions throughout this manual. It means - ATTENTION! BECOME ALERT! Your safety is involved.

**Tools Required for Assembly:**

- \* *1/2" wrench (2)*
- \* *Medium Size Adjustable Wrenches  
or 20*
- \* *Adjustable Wrench and set of open wrenches*

# Parts Reference



## Parts List

---

REF. NO.	PART NO.	DESCRIPTION	QTY.
1	B-5925	Logo Decal	1
2	B-3861	Drawbar Pin	1
3	D-146P	Hairpin Cotter, 1/8"	1
4	R-616	Tine	10
5	R-618	Special Washer	10
6	R-713-10	Tray Mount Bracket	2
7	R-1541	Adjustment Decal	1
8	R-887-10	Wheel Mount Bracket	2
9	R-889-10	End Plate (R.H.)	1
10	R-890-10	End Plate (L.H.)	1
11	R-891	Wheel	2
12	R-892-10	Clevis	2
13	R-1455-10	Pull Bar	2
14	R-885-10	Tine Tray	1
15	R-1504	Safety Wire	2
16	1M1648P	Hex Head Bolt, 1/2" x 3"	2
17	10M1032P	Carriage Bolt, 5/16" x 2"	2
18	11M1016P	Carriage Bolt, 5/16" x 1"	26
19	30M1000P	Hex Nut, 5/16"	28
20	30M1600P	Hex Nut, 1/2"	4
21	40M1000P	Lock Washer, 5/16"	28
22	45M1111P	Flat Washer, 5/16"	4
23	45M1717P	Flat Washer, 1/2"	4

To Order Parts Call:  
877-728-8224

Visit us on the web:  
[www.brinly.com](http://www.brinly.com)



Figure 1.

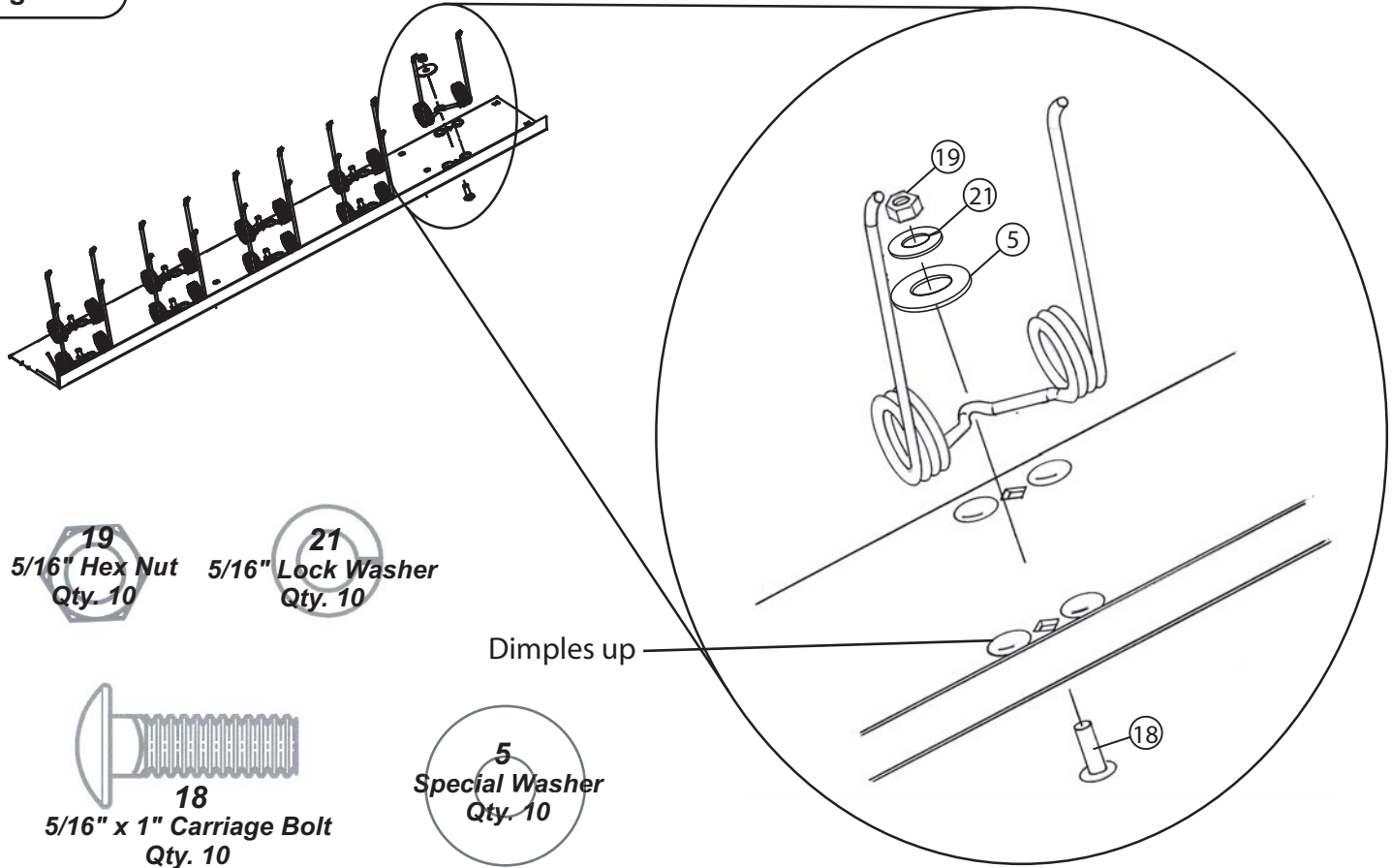
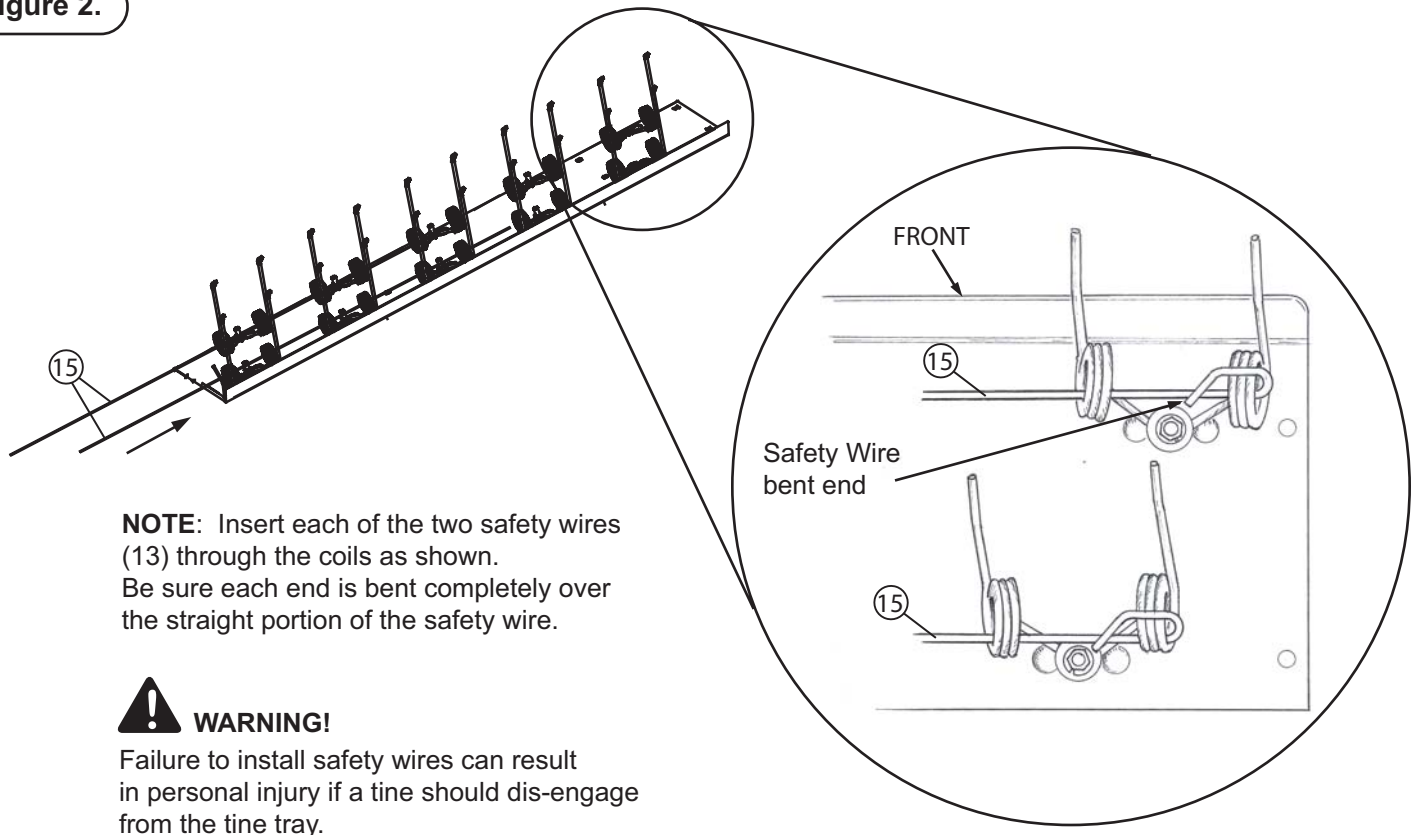
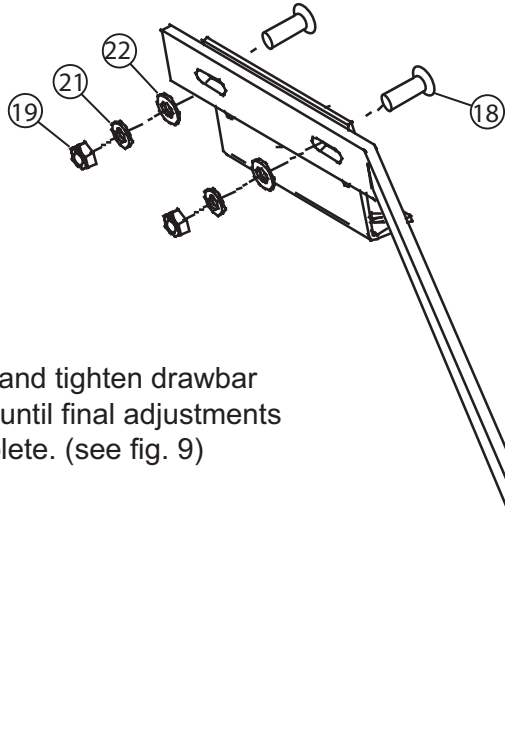


Figure 2.

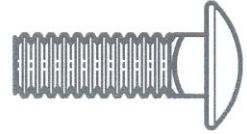


**Figure 3.**



NOTE: Hand tighten drawbar fasteners until final adjustments are complete. (see fig. 9)

**18**  
5/16" x 1" Carriage Bolt  
Qty. 4



**22**  
5/16" Flat Washer  
Qty. 4



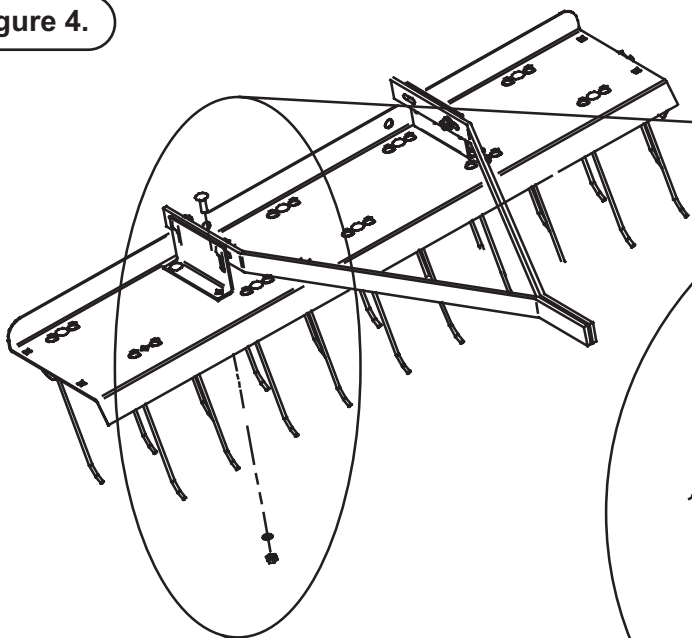
**21**  
5/16" Lock Washer  
Qty. 4



**19**  
5/16" Hex Nut  
Qty. 4

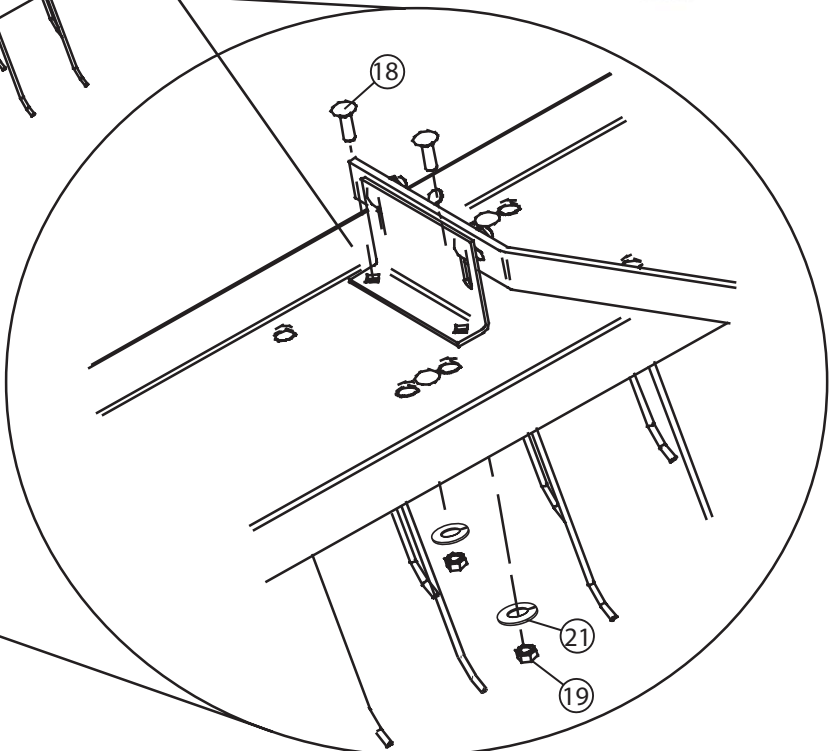


**Figure 4.**



NOTE: Tine and Tray Mount Bracket share the back, left tray hole.

**21**  
5/16" Lock Washer  
Qty. 4



**18**  
5/16" x 1" Carriage Bolt  
Qty. 4

**19**  
5/16" Hex Nut  
Qty. 4



Figure 5.

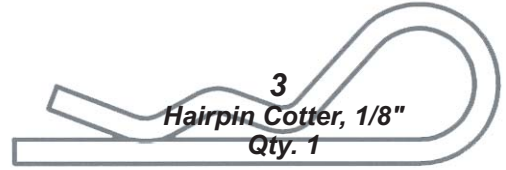
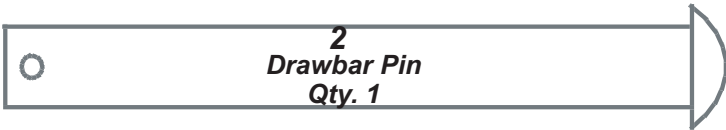
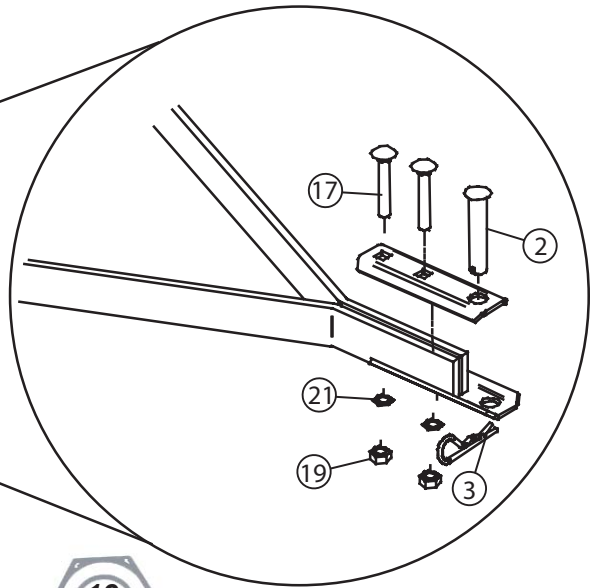
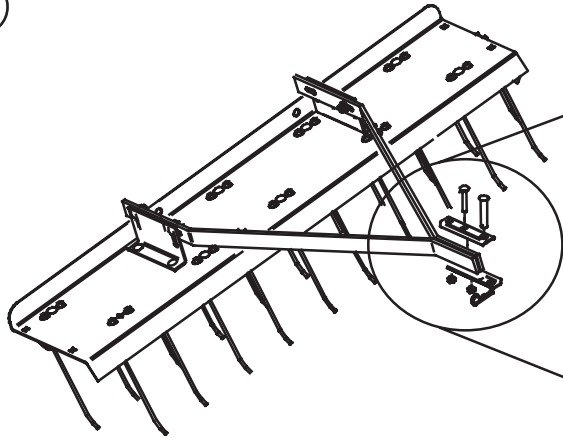


Figure 6.

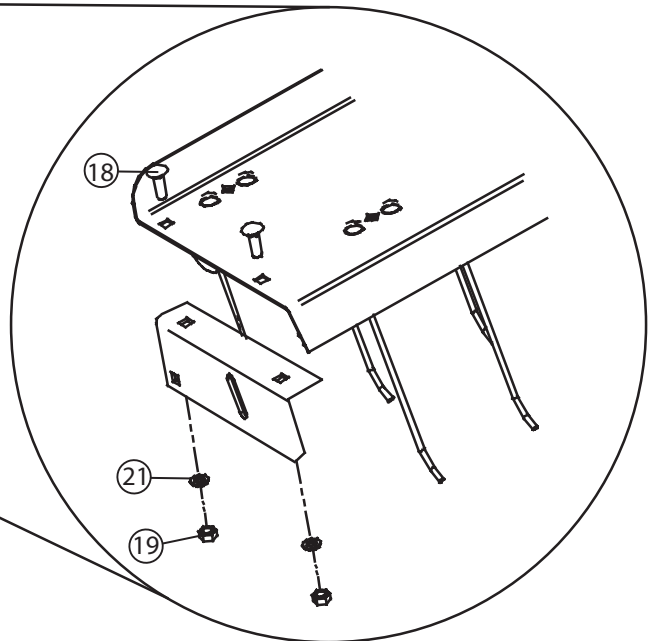
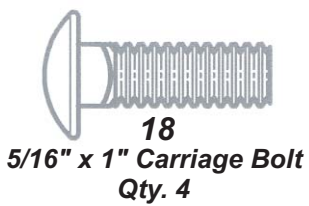
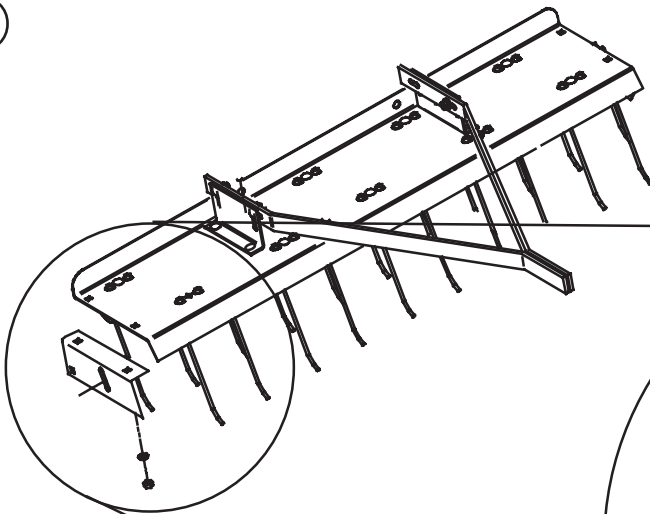


Figure 7.

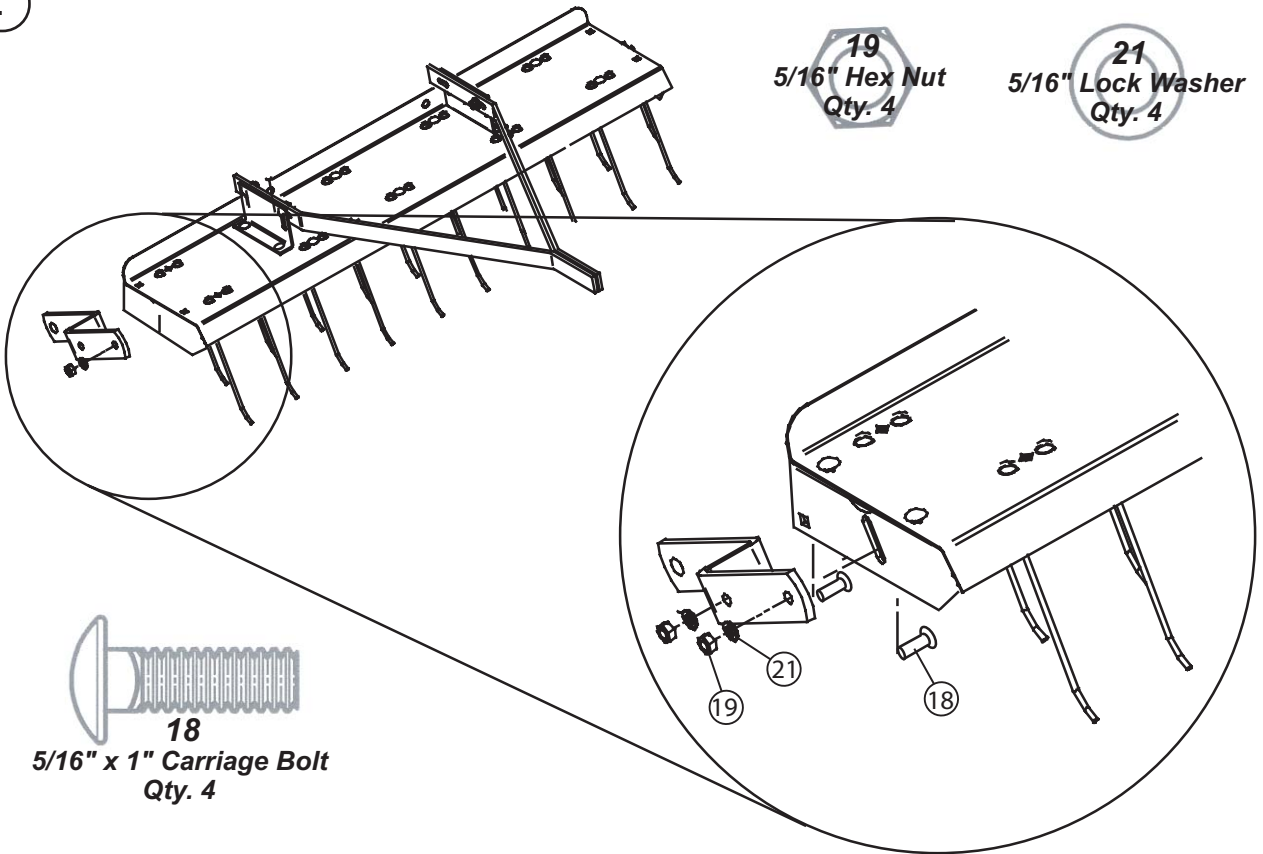
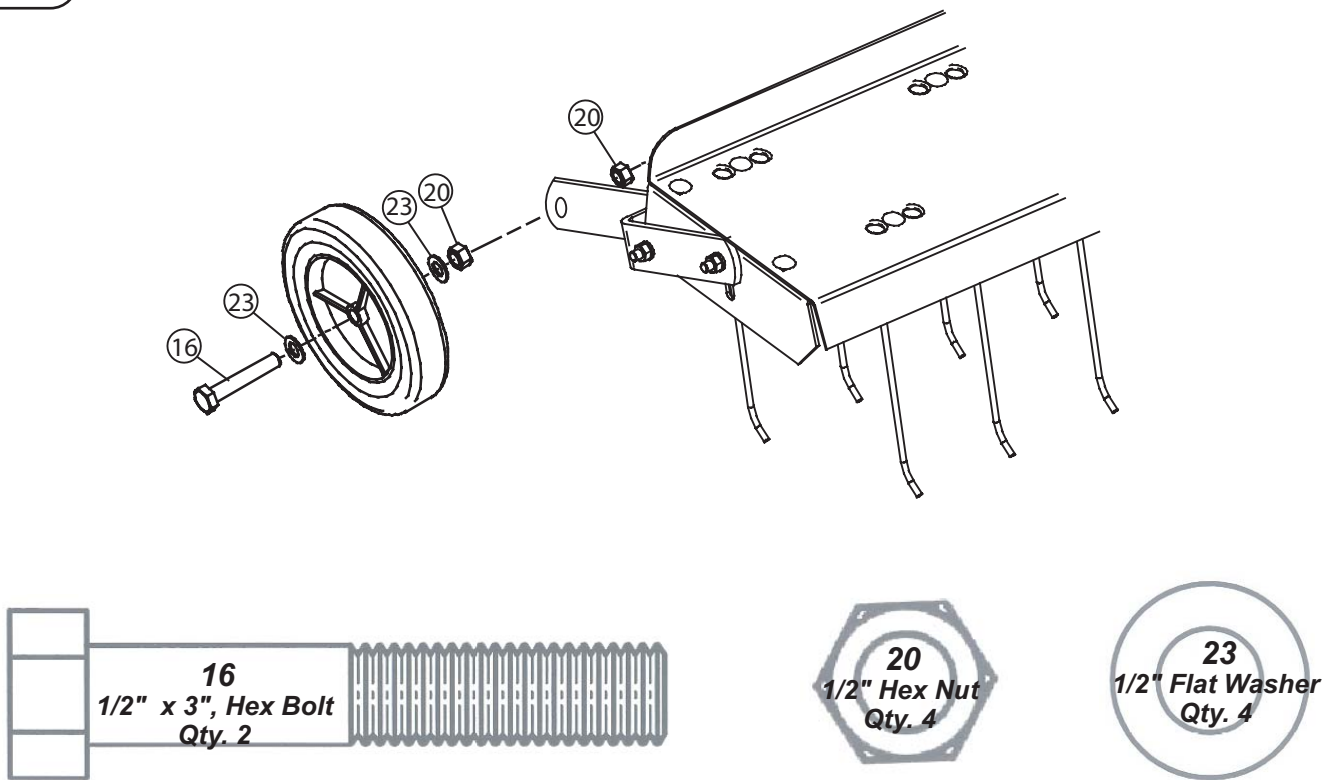


Figure 8.



**Figure 9.**

### MOUNTING AND ADJUSTMENT

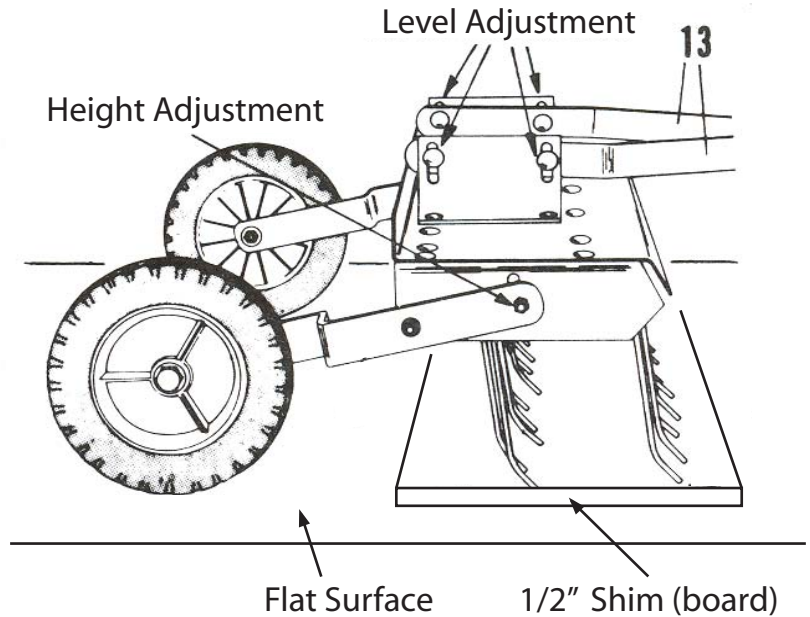
Select a smooth flat surface such as a driveway, sidewalk, garage floor etc.

Attach the Dethatcher to your rider tractor using Drawbar Pin (2) and Hairpin Cotter (3)

Place tines on 1/2" shim to support the front and back row of tines.

Wheels must be on the flat surface as shown

Tighten all bolts from Fig. 2 and Fig. 6 to hold this position



### OPERATION

Tine ACTION- Grass should be less than 3" tall for proper tine action.

When in use, all tines on the De-thatcher should deflect back and "flip" the thatch forward as shown in Fig. 6.

If the tines seem to drag without flipping forward, the tine tray is too low and should be raised.

If all the tines stay in the free position, the tray should be lowered.

Make adjustments as necessary, up or down, by no more than 1/4" each time, until proper results are achieved.



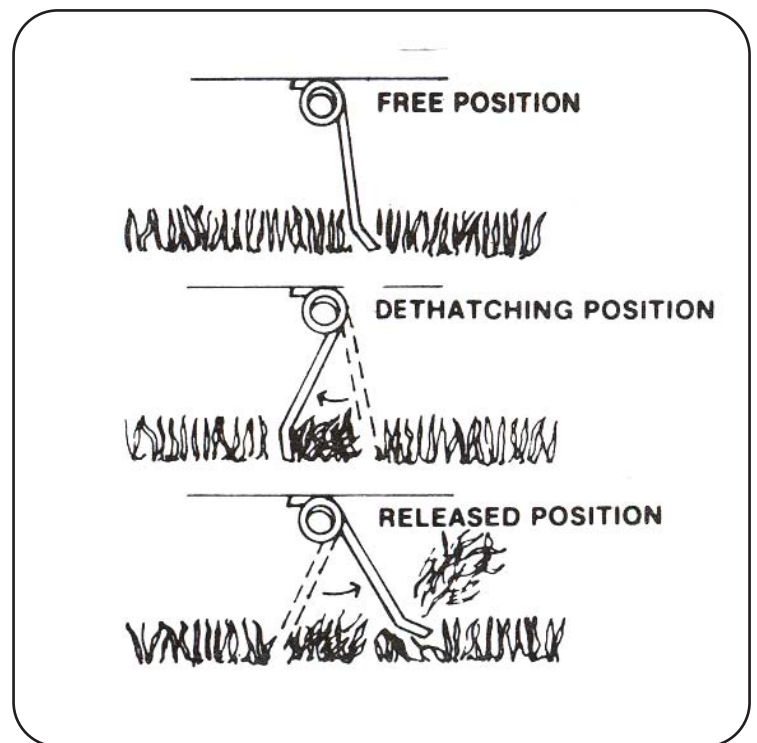
### MAINTENANCE

The key to years of trouble-free service is to keep your Sweeper clean and dry.

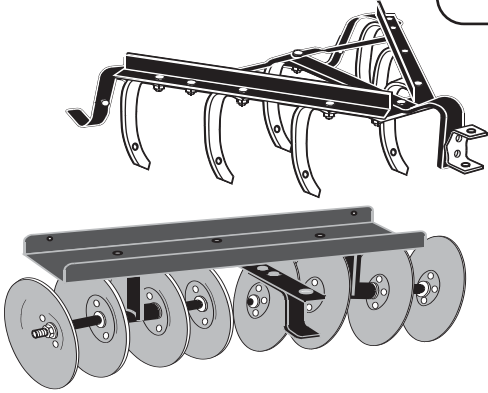
Occasionally check all moving parts for free movement and, if necessary, lubricate with oil.

Should rust develop, sand lightly and then paint area with enamel.

Periodically check all fasteners for tightness.



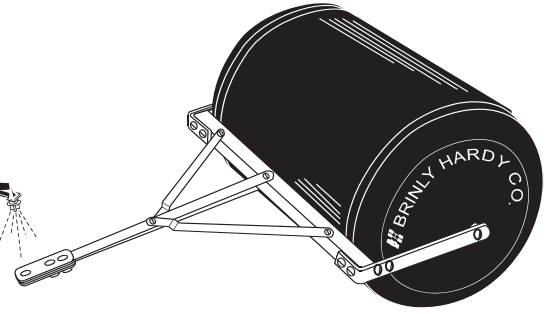
Caring for the quality of your lawn  
with the products from  
**Brinly-Hardy Company**



Brinly's garden tractor items offer the largest selection to turn your garden tractor into a year-round tool. We have box scrapers, blades, cultivators, disk harrows, and even a plow! Remember that a sleeve hitch is required to hook up these items to your garden tractor.



Brinly sprayers are designed to be easy to use, extremely accurate, and long lasting. Our in-line mounted tank design means that even the biggest tank is easy to maneuver and can fit through a garden gate. Each unit comes with a tractor-mounted on/off control.



No more rust or dents with these poly lawn rollers. These units are much easier to deal with than the steel versions. They have rounded end caps that won't tear or gouge the lawn when turning. Erase the harmful effects of frost heaving and moles, or pack down newly sewn seed or sod.

**Limited Warranty**

Brinly-Hardy Company warrants only to the original retail purchaser that this product will remain free of defects in workmanship and materials under normal use and service for a period of two (2) years (NOTE: ninety (90) days for commercial or rental use) commencing with the date of purchase.

Any parts found to be defective within the warranty period will be replaced, with proof of date of purchase, at Brinly-Hardy Company's expense. Our obligation under this warranty is expressly limited to replacement or repair, at our option of parts, which are defective in material or workmanship within thirty (30) days of receipt of the parts. This warranty does not apply to damage caused by unreasonable use, including failure to provide necessary maintenance, nor does it apply to any transportation or labor charges.

WE MAKE NO OTHER EXPRESS WARRANTY NOR IS ANYONE AUTHORIZED TO MAKE ANY ON OUR BEHALF. ANY IMPLIED OR STATUTORY WARRANTIES, INCLUDING ANY WARRANTY OF MERCHANTABILITY OR FITNESS FOR A PARTICULAR PURPOSE, ARE LIMITED TO THE DURATION OF THIS WRITTEN WARRANTY. WE SHALL NOT BE LIABLE FOR CONSEQUENTIAL OR INCIDENTAL DAMAGES OF ANY KIND.

MADE IN THE U.S.A.  
BRINLY-HARDY COMPANY TOLL-FREE 1-877-728-8224

Register Online at: [www.brinly.com](http://www.brinly.com)

**Quality Insurance**

Dear Customer,  
We are very proud of our quality and endeavor to produce each product to meet high standards. Should your purchase not meet your expectations, we have a Quality Insurance Policy.

If you purchase a product and a part is missing or defective, please inform us of the problem on the "Comments" section of the Warranty Registration Card in this manual or online, or feel free to contact us toll free at 1-877-728-8224. PLEASE DO NOT RETURN THE PRODUCT TO THE STORE!

We will make every effort to ship a new replacement part to you within 24 hours at no charge.

Thank you,

Jane Hardy  
President,  
Brinly-Hardy Company

**WARRANTY REGISTRATION CARD**

To register your new product for warranty, please complete and return this card.

Name: \_\_\_\_\_

Address: \_\_\_\_\_

City: \_\_\_\_\_ State: \_\_\_\_\_ Zip: \_\_\_\_\_

Phone: \_\_\_\_\_

Product Purchased: \_\_\_\_\_ Model#: \_\_\_\_\_

Packing# (on carton): \_\_\_\_\_

Where purchased: \_\_\_\_\_ Date: \_\_\_\_\_

Type of ATV Owned: \_\_\_\_\_ Make: \_\_\_\_\_

Model: \_\_\_\_\_

Engine CC: \_\_\_\_\_

Size of Lawn: \_\_\_ 1/4-1/2 acre \_\_\_ 1/2-1 acre \_\_\_ 1-5 acre \_\_\_ 5+

Do you garden? \_\_\_\_\_ Use a tractor? \_\_\_\_\_ Tiller? \_\_\_\_\_

Your Occupation? \_\_\_\_\_

Your Email Address? \_\_\_\_\_