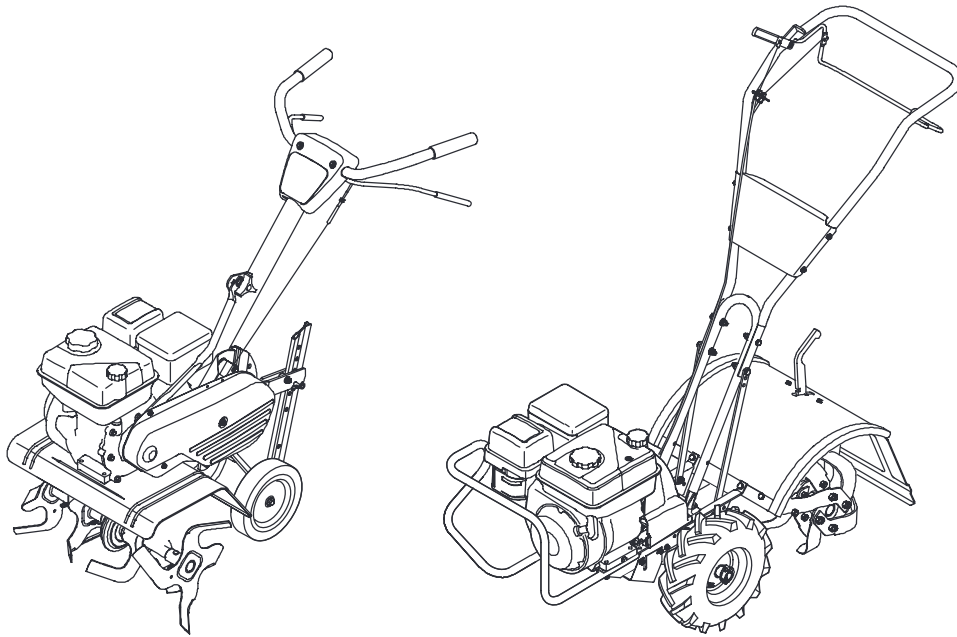




ILLUSTRATED PARTS MANUAL



Front Tine & Rear Tine Tillers

TROY-BILT LLC, P.O. BOX 361131 CLEVELAND, OHIO 44136-0019

To The Owner

Thank You

Thank you for purchasing an MTD Tiller. It was carefully engineered to provide excellent performance when properly operated and maintained.

All information in this manual is relative to the most recent product information available at the time of printing. Please be aware that this Illustrated Part's Manual may cover a range of product specifications for various models.

Components listed and/or illustrated in this manual may not be applicable to all models. We reserve the right to change product specifications, designs and equipment without notice and without incurring obligation.

Throughout this manual, all references to *right* (RH) and *left* (LH) are observed from the operating position.

Table of Contents

<u>Model Series 340</u>	<u>4</u>	<u>Model Series 680</u>	<u>22</u>
<u>Model Series 640 & 650.....</u>	<u>8</u>	<u>Engine Model 170-VU.....</u>	<u>34</u>
<u>Model Series 660</u>	<u>14</u>	<u>Engine Model 170-AU.....</u>	<u>44</u>

Record Product Information

To ease in ordering replacement parts, please locate the model plate on the equipment and record the information in the provided area to the right. You can locate the model plate by looking beneath the seat.

MODEL NUMBER

--	--	--	--	--	--	--	--	--	--	--	--

SERIAL NUMBER

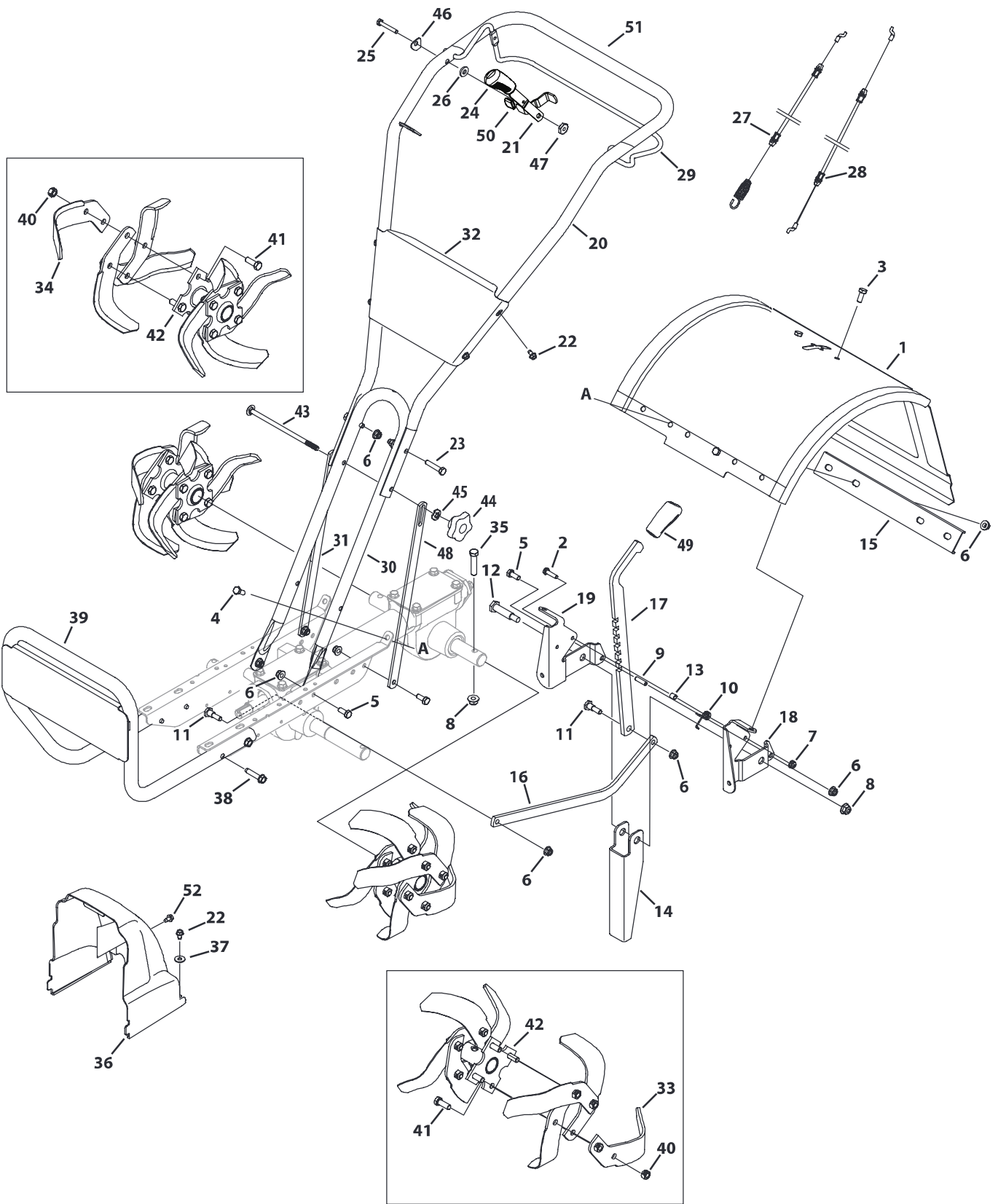
--	--	--	--	--	--	--	--	--	--	--	--

Painted Parts

When ordering painted service parts, a four digit color suffix must be added to the part number (e.g. 783-XXXX-0637). Please refer to the table below for current color codes:

0637	Black	0674	Yellow (Yard-Man)
0709	Dark Green (Bolens, Yard-Man)	0650	Metallic Red (White Outdoor)
0662	Oyster Gray (MTD Gold)	0629	Silver Flake (MTD Platinum)
0638	Red (Yard Machines, Huskee, Troy-Bilt, MTD)	04038	Day Orange (Daedong)
0691	Black Jack (MTD Gold, MasterCut)	04033	Flint Mica (Troy-Bilt XP)

Model Series 640 & 650

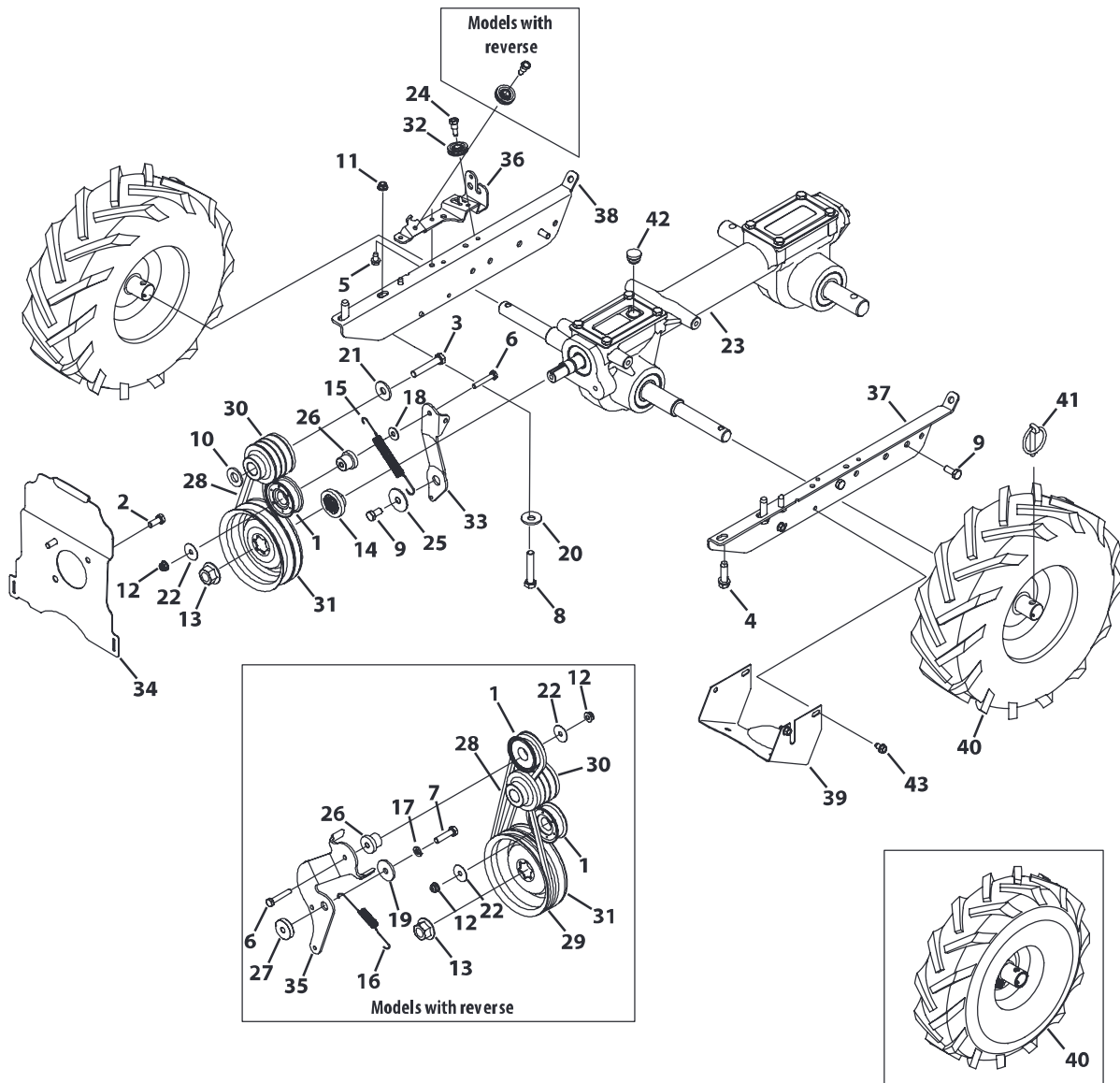


Model Series 640 & 650

Ref.	Part Number	Description	Ref.	Part Number	Description
1*	686-04077A	Tine Shield Assembly	27	946-04413	Forward Cable
1	686-04076A	Tine Shield Assembly	28*	946-04414	Reverse Cable
2	710-0597	Hex Head Screw, 1/4-20 x 1.00	29	747-04789	Clutch Bail
3	710-0604A	Screw, 5/16-18 x 0.625	30	749-04742	Lower Handle
4	710-1238	Hex Head Washer, 5/16-18 x .875	31	786-04433	Support Handle Bracket
5	710-3008	Hex Head Screw, 5/16-18 x .75	32	786-04200	Handle Panel
6	712-04063	Flangelock Nut, 5/16-18	33	742-04226	LH Bolo Tine
7	712-04064	Flangelock Nut, 1/4-20	34	742-04227	RH Bolo Tine
8	712-04065	Flangelock Nut, 3/8-16	35	710-0347	Hex Head Screw, 3/8-16 x 1.75
9	715-0108	Spring Pin, 1/4 DIA x 1.00 LG	36	731-06170	Belt Cover
10	732-04320	Torsion Spring	37	736-0173	Washer, Flat, .28 x .74 x .063
11	738-04320	Screw, Shoulder, 5/16-18 x .405 x .435	38*	710-04605	Screw, 5/16-18 x 1.50
12	938-0533	Screw, Shoulder, \$r .498 x 1.635	39*	686-04134	Bumper
13	750-05349	Spacer, Split, .350 x .268 x .375	40	912-3000	Nut, Hexlock, 3/8-16
14	786-04092	Stop Reverse Arm	41	710-0514	Hex Head Screw, 3/8-16 x 1.00
15	786-04098	Support Channel Bracket	42*	686-04065	Tine Holder Assembly
16	786-04104	Depth Drag Bar	42	686-04066	Tine Holder Assembly
17	786-04292A	Depth Adjuster Bar	43	710-05211	Carriage Bolt, 5/16-18 x 6.75
18	786-04363	LH Tail Bracket	44	720-04072A	Knob, 5/16-18
19	786-04364	RH Tail Bracket	45	936-0170	Washer, .326 x .875 x .145
20	649-04097	Upper Handle Assembly	46*	936-0451	Washer, Saddle, .320 x .93 x .060
21*	686-04135	Reverse Handle Assembly	47*	738-0440	Spacer, .375 x .165
22	710-0599	Screw, 1/4-20 x 0.500	48	786-04434	Support Handle Bracket
23	710-0805	Hex Head Screw, 5/16-18 x 1.50	49	720-04163	Handle Grip
24*	731-04735	Reverse Handle Grip	50	720-04173	Reverse Handle Grip
25*	710-3288	Hex Head Screw, 1/4-20 x 1.62	51	720-05023	Handle Grip
26*	936-0176	Flat Washer, .265 x .938 x .120	52	710-0896	Self Tapping Screw, 1/4-14 x .625

* 650 Series

Model Series 640 & 650



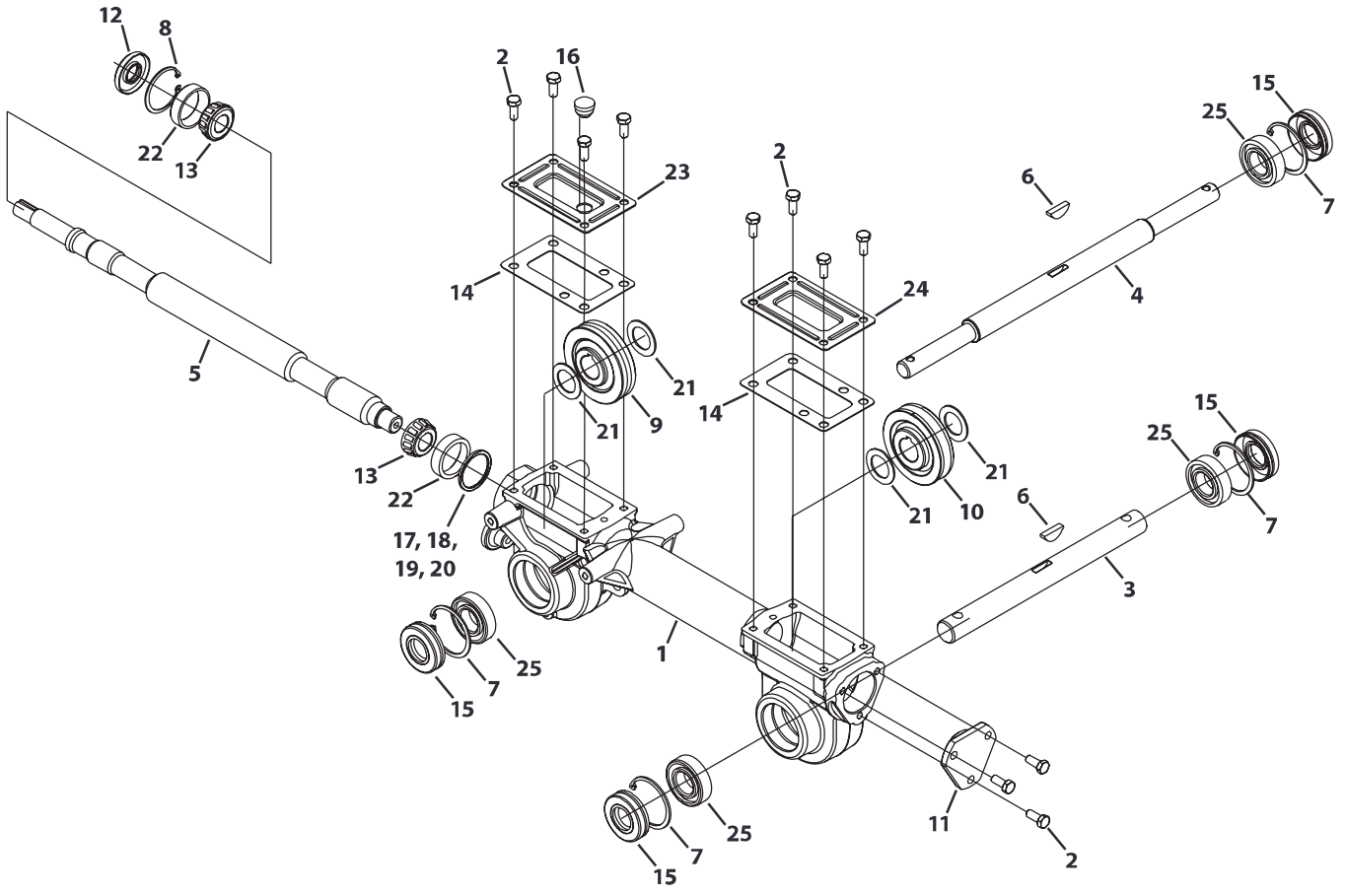
Model Series 640 & 650

Ref.	Part Number	Description
1	684-04168	Idler Pulley Assembly, 1.917 OD
2	710-0170	Hex Head Screw, 5/16-24 x .625
3	710-0151	Hex Head Screw, 3/8-24 x 2.00
4	710-0502A	Screw, 3/8-16 x 1.250
5	710-0599	Screw, 1/4-20 x 0.500
6	710-0606	Hex Head Screw, 1/4-20 x 1.50
7	710-0672	Hex Head Screw, 5/16-24 x 1.25
8	710-0805	Hex Head Screw, 5/16-18 x 1.50, B&S
9	710-1880	Hex Head Screw, 5/16-18 x .75, Patch
10	736-0315	Washer, Flat, .760 x 1.50 x .120
11	712-04063	Flangelock Nut, 5/16-18, B&S
12	712-04064	Flangelock Nut, 1/4-20
13	712-0700	Flange Nut, 9/16-18
14	718-04407	Pulley Hub, 5/8 SPLINE
15	732-04085	Extension Spring, .480 OD x 5.00 LG
16	732-04276A	Extension Spring, LT5 PTO
17	936-0119	Washer, Lock, 5/16
18	736-0173	Washer, Flat, .28 x .74 x .063
19	736-0343	Washer, Flat, .330 x 1.25 x .120
20	736-04193	Washer, .396 x 1.140 x .095, B&S
21	936-0452	Washer, Bell, .396 x 1.140 x .095
22	736-3092	Washer, Flat, .265 x 1.0 x .030

Ref.	Part Number	Description
23	753-06042A	Transmission Assembly
24	738-04425	Screw, Shoulder, 1/4-28 x .342 x .335
25	748-04087A	Forward Idler Pivot Spacer
26	750-04571	Spacer, Shoulder, .260 x .785 x .538
27	750-04907	Reverse Idler Pivot Spacer
28	954-04090	V Belt, 4L x 25.375 LG
29	954-04091	V Belt, 3L x 29.125 LG
30	756-04198A	Engine Pulley, 3L & 4L, Honda
31	756-04355	Transmission Pulley
32	756-0625	Cable Roller
33	786-04312	Forward Idler Bracket
34	786-04343	Cover Mounting Plate
35	786-04346	Reverse Idler Bracket
36	786-04357	Pulley Mounting Bracket
37	786-04419B	LH Mount Frame
38	786-04418B	RH Mount Frame
39	786-04371	Pulley Shield
40	934-04232	Wheel, 13 x 5 x 6
*	934-04453	Wheel Assembly, 11 x 4-4
41	714-0143A	Klik Pin, .25 DIA x 1.56
42	721-04271	Oil Plug
43	710-0896	Self Tapping Screw, 1/4-14 x .625

* 640 Series

Model Series 640 & 650



Ref.	Part Number	Description
1	919-04202B	Transmission Housing
2	710-3008	Hex Head Screw, 5/16-18 x .75
3	911-04844	Tiller Shaft
4	911-04854	Wheel Shaft
5	711-05035	CRT Drive Shaft
6	714-04059	Key, .25 x 1.062
7	716-0204	Retainer Ring
8	716-04102	Retainer Ring
9	917-04380	RH Gear Worm, 61T
10	917-04381	LH Gear Worm, 30T
11	918-04435	Bearing Cover
12	921-04030	Oil Seal, .750 SHF x 1.783 BORE
13	941-04298	Cone Bearing
14	921-04229	Gear Housing Gasket
15	721-04232	Oil Seal, 1.00 SHF x 2.00 BORE
16	721-04271	Rubber Oil Plug
17	736-04305	Washer, Flat, 1.50 x 1.75 x .062
18	736-04306	Washer, Flat, 1.50 x 1.75 x .005
19	736-04307	Washer, Flat, 1.50 x 1.75 x .03
20	736-04308	Washer, Flat, 1.50 x 1.75 x .010
21	736-0745	Washer, Flat, 1.010 x 1.56 x .060
22	941-04299	Cup Bearing
23	786-04366	Tiller Transmission Cover
24	786-04392	Tiller Transmission Cover
25	741-3114	Ball Bearing, 1 x 52 x 15 x 6205-1