

Type: JHM Magforce X
Part no.: 72721312360



Item	Part no.	Designation	Quantity	Status
20	41798730450	Grooved ball bearing	1	*
40	33698681200	Gear-wheel	1	*
50	42698740160	Ring	1	*
80	40298742003	Pin	2	**
100	43098704220	Screw	12	*
110	42498720440	Disc	18	*
120	32198190030	Container	1	*
130	33298320110	Shaft, toothed	1	**
140	42698740180	Ring	1	**
150	31998631055	Insulating ring	1	*
160	43098704060	Screw	3	*
170	43098704100	Screw	8	*
190	30798550060	Electronics 120V	1	*
200	30798550120	Protective cap	1	**
230	31498530100	Housing	1	**
250	32198121000	Belt	1	*
280	30798755410	Switch	1	*
290	30798757544	Nut	1	*
300	33298492050	Magnetic foot	1	**
320	30798592770	Cable	1	**
340	30798592040	Cable with plug	1	*
380	30798651120	Carbon brush	2	*
390	30798651160	Cap	2	*
400	31698391000	Connecting piece	1	*
410	32198114000	Handle	3	*

Type: JHM Magforce X
Part no.: 72721312360



Item	Part no.	Designation	Quantity	Status
420	63998611030	PROTECTING LATTICE	1	*
425	43098706040	Screw	1	*
426	32217406002	Sticker	1	**
430	32217407000	Sticker	1	*
435	32217429060	Information sign	1	**
545	41798733100	Bush	1	*
546	41798733200	Bush	1	*
550	31598231500	Sleeve	1	*
560	42698740620	Circlip	1	**
570	43098704370	Screw	2	**
580	43098709020	Screw	1	*
590	42498720460	Disc	2	*
600	31298391120	Housing	1	*
610	30798651140	Brush holder	2	*
620	42498748005	Ball	2	**
630	43098705000	Screw	2	*
640	32498611030	Cover	2	**
650	43098703230	Screw	6	*
660	30798591140	Cover	1	*
670	30610034008	Seal	1	*
675	30798591068	Switch	1	*
680	32498520090	Protective cap	1	*
690	30798755270	Pushbutton	1	*
700	30798755275	Pushbutton	1	*
710	31342621182	Cover	1	**

Type: JHM Magforce X
Part no.: 72721312360



Item	Part no.	Designation	Quantity	Status
720	31298330020	Handle	1	*
730	43098708100	Screw	2	*
740	43098705640	Screw	4	**
750	43098704060	Screw	2	*
770	31498761060	Connecting piece	1	*
780	40698763680	Ring	1	*
790	40698763660	Ring	1	*
800	41798730390	Grooved ball bearing	1	*
810	33698681260	Pinion	1	**
820	40298745840	Feather key	2	**
830	33698681280	Gear-wheel	1	*
840	42698740090	Circlip	1	**
850	53298651070	Armature 60Hz/120V	1	*
870	41798730240	Grooved ball bearing	5	*
880	41798730390	Grooved ball bearing	1	*
890	33298333030	Bearing plate	1	**
900	33498223000	Sleeve	1	**
910	41798730630	Needle bearing	1	*
920	41798730570	Grooved ball bearing	1	*
930	42698741520	Circlip	1	*
940	33698681220	Pinion	1	**
950	52298694420	Armature 60Hz/120V	1	*
960	33698681240	Gear-wheel	1	**
970	42698740130	Circlip	1	**
980	51298651050	Stator 60Hz/120V	1	*

Type: JHM Magforce X
Part no.: 72721312360



Item	Part no.	Designation	Quantity	Status
990	33498223040	Shaft	1	*
1000	40698763080	Seal	1	*
1010	33498223020	Shaft	1	*
1030	30998744020	Spring	1	*
1040	33498223060	Plunger	1	*
1050	40698763100	Seal	1	*
1060	42698741190	Circlip	1	*
1080	42698740250	Circlip	1	*
1090	43098709000	Screw	4	*
5000	33998140065	CASE, CARRYIING JHM MAGF W/STICKERS	1	**
5030	62998780030	Wrench	1	*
5040	32198131000	Belt	1	*
5050	64298160400	Swarf hook	1	*
6000	32198766040	Lubricant can 0,400kg	2	*
9000	34198142820	Operating instructions	1	**

Prices valid from: Dec 4, 2019

The prices valid on the day of delivery are decisive for the calculation. Subject to transmission errors and changes to technology, form and appearance.

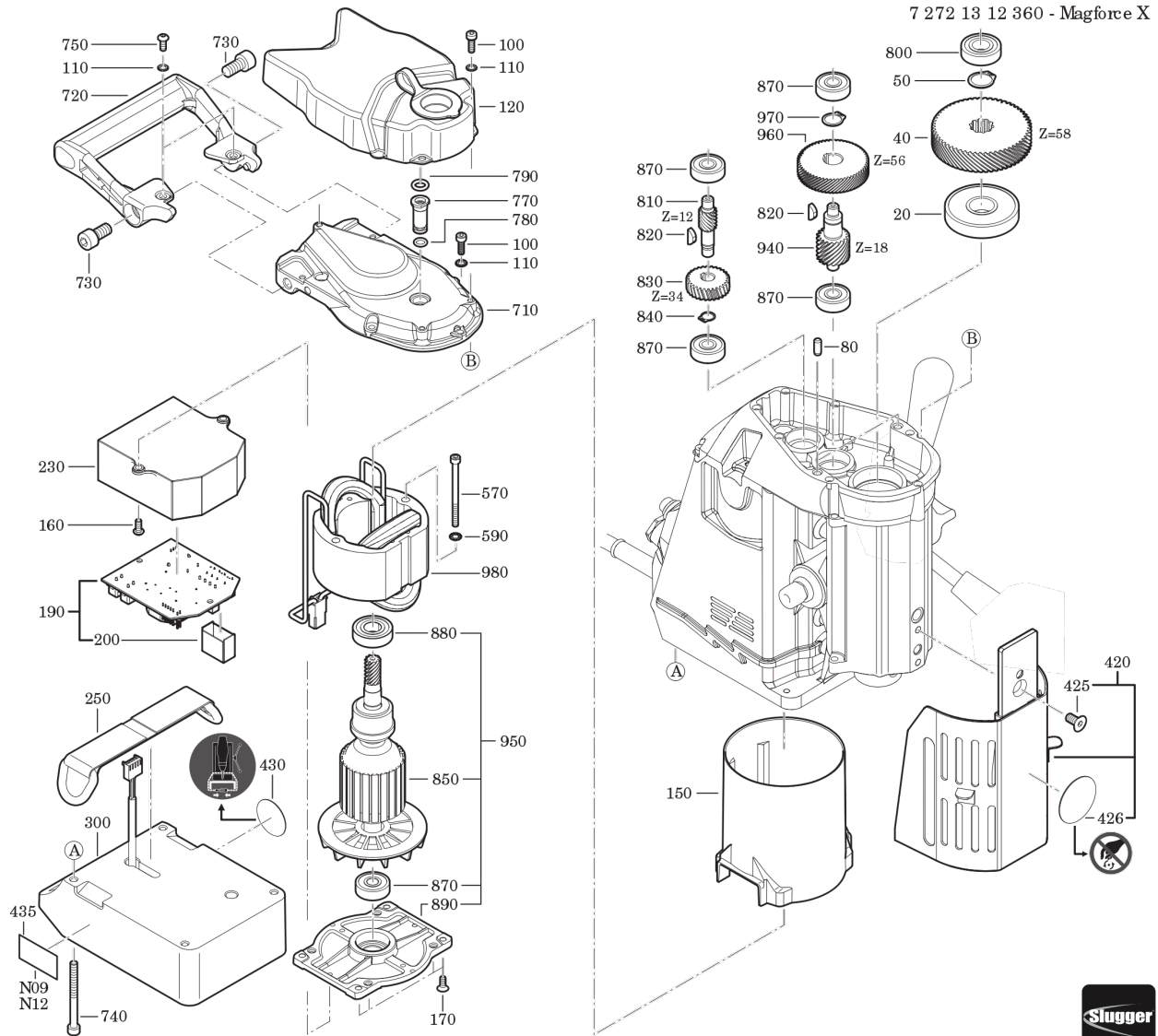
* This article is available from stock.

** This article has a delivery time. Please contact FEIN for details.

*** This article is no longer available.

Type:
Part no.:

JHM Magforce X
72721312360



Type:
Part no.:

JHM Magforce X
72721312360

