

DEWALT®



**Instruction Manual
Guide D'utilisation
Manual de instrucciones**

DCN701

20V Max* Cordless Cable Stapler

Agrafeuse de câble sans fil 20 V max*

Engrapadora de Cables Inalámbrica 20 V Máx*

www.DEWALT.com

**If you have questions or comments, contact us.
Pour toute question ou tout commentaire, nous contacter.
Si tiene dudas o comentarios, contáctenos.**

1-800-4-DEWALT

ENGLISH

English (***original instructions***) 1

Français (*traduction de la notice d'instructions originale*) 15

Español (*traducido de las instrucciones originales*) 31

Definitions: Safety Alert Symbols and Words

This instruction manual uses the following safety alert symbols and words to alert you to hazardous situations and your risk of personal injury or property damage.



DANGER: Indicates an imminently hazardous situation which, if not avoided, **will** result in **death or serious injury**.



WARNING: Indicates a potentially hazardous situation which, if not avoided, **could** result in **death or serious injury**.



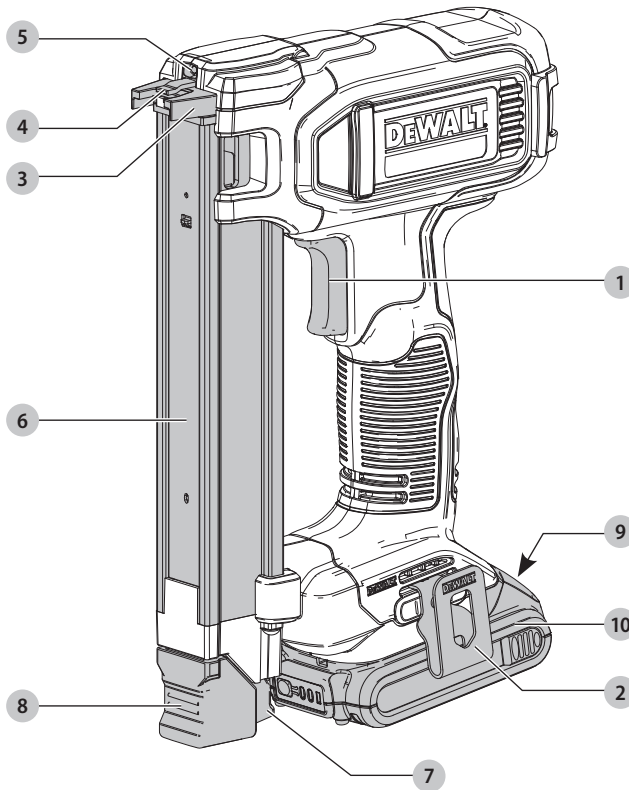
CAUTION: Indicates a potentially hazardous situation which, if not avoided, **may** result in **minor or moderate injury**.



(Used without word) Indicates a safety related message.

NOTICE: Indicates a practice **not related to personal injury** which, if not avoided, **may** result in **property damage**.

Fig. A



- | | |
|----------------------------|---------------------------|
| 1 Trigger | 6 Magazine |
| 2 Utility hook | 7 Magazine release button |
| 3 Cable alignment guide | 8 Pusher |
| 4 Wire indicator | 9 Battery release button |
| 5 Headlight/LED work light | 10 Battery |



WARNING! Read all safety warnings and all instructions. Failure to follow the warnings and instructions may result in electric shock, fire and/or serious injury.



WARNING: To reduce the risk of injury, read the instruction manual.

If you have any questions or comments about this or any DEWALT tool, call us toll free at: 1-800-4-DEWALT (1-800-433-9258).

GENERAL POWER TOOL SAFETY WARNINGS



WARNING! Read all safety warnings, instructions, illustrations and specs provided with the tool. Failure to follow the warnings and instructions may result in electric shock, fire and/or serious injury.

SAVE ALL WARNINGS AND INSTRUCTIONS FOR FUTURE REFERENCE

The term “power tool” in the warnings refers to your mains-operated (corded) power tool or battery-operated (cordless) power tool.

1) Work Area Safety

- a) **Keep work area clean and well lit.** Cluttered or dark areas invite accidents.
- b) **Do not operate power tools in explosive atmospheres, such as in the presence of flammable liquids, gases or dust.** Power tools create sparks which may ignite the dust or fumes.
- c) **Keep children and bystanders away while operating a power tool.** Distractions can cause you to lose control.

2) Electrical Safety

- a) **Power tool plugs must match the outlet. Never modify the plug in any way. Do not use any adapter plugs with earthed (grounded) power tools.** Unmodified plugs and matching outlets will reduce risk of electric shock.
- b) **Avoid body contact with earthed or grounded surfaces such as pipes, radiators, ranges and refrigerators.** There is an increased risk of electric shock if your body is earthed or grounded.
- c) **Do not expose power tools to rain or wet conditions.** Water entering a power tool will increase the risk of electric shock.
- d) **Do not abuse the cord. Never use the cord for carrying, pulling or unplugging the power tool. Keep cord away from heat, oil, sharp edges or moving parts.** Damaged or entangled cords increase the risk of electric shock.
- e) **When operating a power tool outdoors, use an extension cord suitable for outdoor use.** Use of a cord suitable for outdoor use reduces the risk of electric shock.
- f) **If operating a power tool in a damp location is unavoidable, use a ground fault circuit interrupter (GFCI) protected supply.** Use of a GFCI reduces the risk of electric shock.

3) Personal Safety

- a) **Stay alert, watch what you are doing and use common sense when operating a power tool. Do not use a power tool while you are tired or under the influence of drugs, alcohol or medication.** A moment of inattention while operating power tools may result in serious personal injury.

- b) **Use personal protective equipment. Always wear eye protection.** Protective equipment such as dust mask, non-skid safety shoes, hard hat, or hearing protection used for appropriate conditions will reduce personal injuries.
- c) **Prevent unintentional starting. Ensure the switch is in the off position before connecting to power source and/or battery pack, picking up or carrying the tool.** Carrying power tools with your finger on the switch or energizing power tools that have the switch on invites accidents.
- d) **Remove any adjusting key or wrench before turning the power tool on.** A wrench or a key left attached to a rotating part of the power tool may result in personal injury.
- e) **Do not overreach. Keep proper footing and balance at all times.** This enables better control of the power tool in unexpected situations.
- f) **Dress properly. Do not wear loose clothing or jewelry. Keep your hair, clothing and gloves away from moving parts.** Loose clothes, jewelry or long hair can be caught in moving parts.
- g) **If devices are provided for the connection of dust extraction and collection facilities, ensure these are connected and properly used.** Use of dust collection can reduce dust-related hazards.
- h) **Do not let familiarity gained from frequent use of tools allow you to become complacent and ignore tool safety principles.** A careless action can cause severe injury within a fraction of a second.

4) Power Tool Use and Care

- a) **Do not force the power tool. Use the correct power tool for your application.** The correct power tool will do the job better and safer at the rate for which it was designed.
- b) **Do not use the power tool if the switch does not turn it on and off.** Any power tool that cannot be controlled with the switch is dangerous and must be repaired.
- c) **Disconnect the plug from the power source and/or the battery pack from the power tool before making any adjustments, changing accessories, or storing power tools.** Such preventive safety measures reduce the risk of starting the power tool accidentally.
- d) **Store idle power tools out of the reach of children and do not allow persons unfamiliar with the power tool or these instructions to operate the power tool.** Power tools are dangerous in the hands of untrained users.
- e) **Maintain power tools. Check for misalignment or binding of moving parts, breakage of parts and any other condition that may affect the power tool's operation. If damaged, have the power tool repaired before use.** Many accidents are caused by poorly maintained power tools.

- f) **Keep cutting tools sharp and clean.** Properly maintained cutting tools with sharp cutting edges are less likely to bind and are easier to control.
- g) **Use the power tool, accessories and tool bits, etc. in accordance with these instructions, taking into account the working conditions and the work to be performed.** Use of the power tool for operations different from those intended could result in a hazardous situation.
- h) **Keep handles and grasping surfaces dry, clean and free from oil and grease.** Slippery handles and grasping surfaces do not allow for safe handling and control of the tool in unexpected situations.

5) Battery Tool Use and Care

- a) **Recharge only with the charger specified by the manufacturer.** A charger that is suitable for one type of battery pack may create a risk of fire when used with another battery pack.
- b) **Use power tools only with specifically designated battery packs.** Use of any other battery packs may create a risk of injury and fire.
- c) **When battery pack is not in use, keep it away from other metal objects, like paper clips, coins, keys, nails, screws, or other small metal objects, that can make a connection from one terminal to another.** Shorting the battery terminals together may cause burns or a fire.
- d) **Under abusive conditions, liquid may be ejected from the battery; avoid contact. If contact accidentally occurs, flush with water. If liquid contacts eyes, additionally seek medical help.** Liquid ejected from the battery may cause irritation or burns.
- e) **Do not use a battery pack or tool that is damaged or modified.** Damaged or modified batteries may exhibit unpredictable behavior resulting in fire, explosion or risk of injury.
- f) **Do not expose a battery pack or tool to fire or excessive temperature.** Exposure to fire or temperature above 265 °F (129 °C) may cause explosion.
- g) **Follow all charging instructions and do not charge the battery pack or tool outside the temperature range specified in the instructions.** Charging improperly or at temperatures outside the specified range may damage the battery and increase the risk of fire.

6) Service

- a) **Have your power tool serviced by a qualified repair person using only identical replacement parts.** This will ensure that the safety of the power tool is maintained.
- b) **Never service damaged battery packs.** Service of battery packs should only be performed by the manufacturer or authorized service providers.

Stapler Safety Warnings

- **Always assume that the tool contains fasteners.** Careless handling of the stapler can result in unexpected firing of fasteners and personal injury.
- **Do not point the tool towards yourself or anyone nearby.** Unexpected triggering could discharge a fastener causing an injury.
- **Do not actuate the tool unless the tool is placed firmly against the workpiece.** If the tool is not in contact with the workpiece, the fastener may be deflected away from your target.
- **Disconnect the tool from the power source when the fastener jams in the tool.** While removing a jammed fastener, the stapler may be accidentally activated if it is plugged in.
- **When fastening electrical cables, make sure the cables are not energized. Hold the stapler only by insulated gripping surfaces. Use only fasteners designed for electrical cable installations. Inspect that the fastener has not damaged the insulation of the electrical cables.** A fastener that damages the insulation of electric cables can lead to electric shock and fire hazards.


Additional Stapler Safety Warnings



WARNING: When using any stapler, all safety precautions, as outlined below, should be followed to avoid the risk of death or serious injury. Read all instructions before operating the tool.

- **Always turn off power to circuit before attempting to staple wires.** Do not staple "live" wires.
- **Use only DeWALT staples for fastening electrical cables.** It is designed for electric cable installation.
- **Never operate tool with magazine disengaged or separated from tool.**
- **Keep hands and body parts away from the discharge area of the tool.** While in use NEVER grasp the tool by the magazine or canister, a mis-driven staple can exit the nose causing injury.
- **Always hold tool by insulated gripping surfaces when stapling wires. Assume that they are live even if turned off.** Contact with a "live" wire will make exposed metal parts of the tool "live" and shock the operator.
- **Always wear appropriate personal hearing and other protection during use.** Under some conditions and duration of use, noise from this product may contribute to hearing loss.
- **Disconnect battery pack from the tool when not in use.** Always remove battery pack and remove staples from magazine before leaving the area or passing the tool to another operator. Do not carry tool to another work area in which changing location involves the use of scaffolding, stairs, ladders, and the like, with battery pack connected. Do not make adjustments, perform maintenance or clear jammed staples while battery is in place.

ENGLISH


- **Do not remove, tamper with, or otherwise cause the tool or trigger to become inoperable.** Do not tape or tie trigger in the on position. Do not remove spring from wire indicator. Make daily inspections for free movement of trigger. Uncontrolled discharge could result.
 - **Inspect tool before use. Do not operate a tool if any portion of the tool or trigger is inoperable, disconnected, altered, or not working properly.** Damaged parts or missing parts should be repaired or replaced before use. Refer to **Repairs**.
 - **Do not alter or modify the tool in any way.**
 - **Keep bystanders, children, and visitors away while operating a power tool.** Distractions can cause you to lose control. When tool is not in use, it should be locked in a safe place, out of the reach of children.
 - **Do not overreach. Maintain proper footing and balance at all times.** Loss of balance may cause personal injury.
 - **Use the tool only for its intended use. Do not discharge staples into open air or any material too hard for the staple to penetrate. Do not use the body of the tool or top cap as a hammer. Discharged staple may follow unexpected path and cause injury.**
 - **Always keep fingers clear of wire indicator to prevent injury from inadvertent release of the staple.**
 - **Refer to the Maintenance and Repairs sections for detailed information on the proper maintenance of the tool.**
 - **Always operate the tool in a clean, lighted area.** Be sure the work surface is clear of any debris and be careful not to lose footing when working in elevated environments such as rooftops.
 - **Staples must be driven straight into the material.** Do not tilt the stapler while driving staples. Personal injury can result from ricocheted or jammed staples.
 - **Keep hands and body parts clear of immediate work area.**
-  **WARNING:** To avoid injury keep hands and body away from the front discharge area of the tool.
- **Do not use tool in the presence of flammable dust, gases or fumes.** This tool produces sparks that can ignite gases or dust causing an explosion. Driving a staple into another staple may also cause a spark.
 - **Keep face and body parts away from back of the tool cap when working in restricted areas.** Sudden recoil can result in impact to the body, especially when stapling into hard or dense material.
 - **Grip tool firmly to maintain control while allowing tool to recoil away from work surface as staple is driven.**
 - **Be aware of material thickness when using stapler.** A protruding staple may cause injury.
 - **Check the wire after each shot to make sure the cable sheathing remains intact.**
 - **Stay alert, watch what you are doing and use common sense when operating a power tool. Do not use tool while tired or under the influence of drugs,**

alcohol, or medication. A moment of inattention while operating power tools may result in serious personal injury.

Additional Safety Information

 **WARNING: ALWAYS** use safety glasses. Everyday eyeglasses are NOT safety glasses. Also use face or dust mask if cutting operation is dusty. ALWAYS WEAR CERTIFIED SAFETY EQUIPMENT:


- ANSI Z87.1 eye protection (CAN/CSA Z94.3),
- ANSI S12.6 (S3.19) hearing protection,
- NIOSH/OSHA/MSHA respiratory protection.

 **WARNING:** Some dust created by power sanding, sawing, grinding, drilling, and other construction activities contains chemicals known to the State of California to cause cancer, birth defects or other reproductive harm. Some examples of these chemicals are:


- lead from lead-based paints,
- crystalline silica from bricks and cement and other masonry products, and
- arsenic and chromium from chemically-treated lumber.

Your risk from these exposures varies, depending on how often you do this type of work. To reduce your exposure to these chemicals: work in a well ventilated area, and work with approved safety equipment, such as those dust masks that are specially designed to filter out microscopic particles.

- **Avoid prolonged contact with dust from power sanding, sawing, grinding, drilling, and other construction activities. Wear protective clothing and wash exposed areas with soap and water.** Allowing dust to get into your mouth, eyes, or lay on the skin may promote absorption of harmful chemicals.

 **WARNING:** Use of this tool can generate and/or disperse dust, which may cause serious and permanent respiratory or other injury. Always use NIOSH/OSHA approved respiratory protection appropriate for the dust exposure. Direct particles away from face and body.

 **WARNING: Always wear proper personal hearing protection that conforms to ANSI S12.6 (S3.19) during use.** Under some conditions and duration of use, noise from this product may contribute to hearing loss.

 **CAUTION: When not in use, place tool on its side on a stable surface where it will not cause a tripping or falling hazard.** Some tools with large battery packs will stand upright on the battery pack but may be easily knocked over.

- **Air vents often cover moving parts and should be avoided.** Loose clothes, jewelry or long hair can be caught in moving parts.

The label on your tool may include the following symbols. The symbols and their definitions are as follows:

V volts min minutes
Hz hertz — — — or DC..... direct current

Ⓢ..... Class I Construction (grounded)	Ⓜ..... Class II Construction (double insulated)
.../min..... per minute	n ₀ no load speed
BPM..... beats per minute	n..... rated speed
IPM..... impacts per minute	Ⓧ..... earthing terminal
RPM..... revolutions per minute	⚠..... safety alert symbol
sfpn..... surface feet per minute	⚠..... visible radiation
SPM..... strokes per minute	Ⓜ..... wear respiratory protection
A..... amperes	Ⓜ..... wear eye protection
W..... watts	Ⓜ..... wear hearing protection
~ or AC..... alternating current	📖..... read all documentation
⎓ or AC/DC..... alternating or direct current	

BATTERIES AND CHARGERS

The battery pack is not fully charged out of the carton. Before using the battery pack and charger, read the safety instructions below and then follow charging procedures outlined. When ordering replacement battery packs, be sure to include the catalog number and voltage. Your tool uses a DEWALT charger. Be sure to read all safety instructions before using your charger. Consult the chart at the end of this manual for compatibility of chargers and battery packs.

READ ALL INSTRUCTIONS

Important Safety Instructions for All Battery Packs

⚠ WARNING: Read all safety warnings and all instructions for the battery pack, charger and power tool. Failure to follow the warnings and instructions may result in electric shock, fire and/or serious injury.

- **Do not charge or use the battery pack in explosive atmospheres, such as in the presence of flammable liquids, gases or dust.** Inserting or removing the battery pack from the charger may ignite the dust or fumes.
- **NEVER force the battery pack into the charger. DO NOT modify the battery pack in any way to fit into a non-compatible charger as battery pack may rupture causing serious personal injury.** Consult the chart at the end of this manual for compatibility of batteries and chargers.
- Charge the battery packs only in designated DEWALT chargers.
- **DO NOT splash or immerse in water or other liquids.**
- **Do not store or use the tool and battery pack in locations where the temperature may reach or exceed 104 °F (40 °C) (such as outside sheds or metal buildings in summer).** For best life store battery packs in a cool, dry location.
NOTE: Do not store the battery packs in a tool with

the trigger switch locked on. Never tape the trigger switch in the ON position.

- **Do not incinerate the battery pack even if it is severely damaged or is completely worn out.** The battery pack can explode in a fire. Toxic fumes and materials are created when lithium ion battery packs are burned.
- **If battery contents come into contact with the skin, immediately wash area with mild soap and water.** If battery liquid gets into the eye, rinse water over the open eye for 15 minutes or until irritation ceases. If medical attention is needed, the battery electrolyte is composed of a mixture of liquid organic carbonates and lithium salts.
- **Contents of opened battery cells may cause respiratory irritation.** Provide fresh air. If symptoms persist, seek medical attention.

⚠ WARNING: Burn hazard. Battery liquid may be flammable if exposed to spark or flame.

⚠ WARNING: Fire hazard. Never attempt to open the battery pack for any reason. If the battery pack case is cracked or damaged, do not insert into the charger. Do not crush, drop or damage the battery pack. Do not use a battery pack or charger that has received a sharp blow, been dropped, run over or damaged in any way (e.g., pierced with a nail, hit with a hammer, stepped on). Damaged battery packs should be returned to the service center for recycling.

Transportation

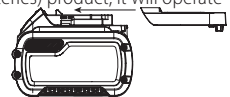
⚠ WARNING: Fire hazard. Do not store or carry the battery pack so that metal objects can contact exposed battery terminals. For example, do not place the battery pack in aprons, pockets, tool boxes, product kit boxes, drawers, etc., with loose nails, screws, keys, etc. **Transporting batteries can possibly cause fires if the battery terminals inadvertently come in contact with conductive materials such as keys, coins, hand tools and the like.** The US Department of Transportation Hazardous Material Regulations (HMR) actually prohibit transporting batteries in commerce or on airplanes in carry-on baggage UNLESS they are properly protected from short circuits. So when transporting individual battery packs, make sure that the battery terminals are protected and well insulated from materials that could contact them and cause a short circuit.
NOTE: Lithium-ion batteries should not be put in checked baggage.

Shipping the DEWALT FLEXVOLT™ Battery

The DEWALT FLEXVOLT™ battery has two modes: **Use** and **Shipping**.

Use Mode: When the FLEXVOLT™ battery stands alone or is in a DEWALT 20V Max* product, it will operate as a 20V Max* battery. When the FLEXVOLT™ battery is in a 60V Max* or a 120V Max* (two 60V Max* batteries) product, it will operate as a 60V Max* battery.

Shipping Mode: When the cap is attached to



ENGLISH

the FLEXVOLT™ battery, the battery is in Shipping Mode. Strings of cells are electrically disconnected within the pack resulting in three batteries with a lower Watt hour (Wh) rating as compared to one battery with a higher Watt hour rating. This increased quantity of three batteries with the lower Watt hour rating can exempt the pack from certain shipping regulations that are imposed upon the higher Watt hour batteries.

The battery label indicates two Watt hour ratings (see example). Depending on how the battery is shipped, the appropriate Watt hour rating must be used to determine the applicable shipping requirements. If utilizing the shipping cap, the pack will be considered 3 batteries at the Watt hour rating indicated for "Shipping". If shipping without the cap or in a tool, the pack will be considered one battery at the Watt hour rating indicated next to "Use".

Example of Use and Shipping Label Marking

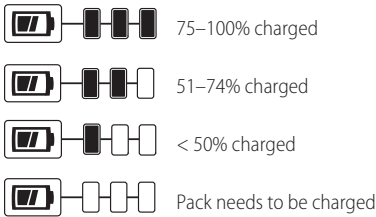
USE: 120 Wh Shipping: 3 x 40 Wh

For example, Shipping Wh rating might indicate 3 x 40 Wh, meaning 3 batteries of 40 Watt hours each. The Use Wh rating might indicate 120 Wh (1 battery implied).

Fuel Gauge Battery Packs (Fig. B)

Some DEWALT battery packs include a fuel gauge which consists of three green LED lights that indicate the level of charge remaining in the battery pack.

The fuel gauge is an indication of approximate levels of charge remaining in the battery pack according to the following indicators:



To actuate the fuel gauge, press and hold the fuel gauge button. A combination of the three green LED lights will illuminate designating the level of charge left. When the level of charge in the battery is below the usable limit, the fuel gauge will not illuminate and the battery will need to be recharged.

Fig. B



NOTE: The fuel gauge is only an indication of the charge left on the battery pack. It does not indicate tool functionality and is subject to variation based on product components, temperature and end-user application.

For more information regarding fuel gauge battery packs, please contact call 1-800-4-DEWALT (1-800-433-9258) or visit our website www.dewalt.com.

The RBRC® Seal

The RBRC® (Rechargeable Battery Recycling Corporation) Seal on the nickel cadmium, nickel metal hydride or lithium-ion batteries (or battery packs) indicates that the costs to recycle these batteries (or battery packs) at the end of their useful life have already been paid by DEWALT. In some areas, it is illegal to place spent nickel cadmium, nickel metal hydride or lithium-ion batteries in the trash or municipal solid waste stream and the Call 2 Recycle® program provides an environmentally conscious alternative.

Call 2 Recycle, Inc., in cooperation with DEWALT and other battery users, has established the program in the United States and Canada to facilitate the collection of spent nickel cadmium, nickel metal hydride or lithium-ion batteries. Help protect our environment and conserve natural resources by returning the spent nickel cadmium, nickel metal hydride or lithium-ion batteries to an authorized DEWALT service center or to your local retailer for recycling. You may also contact your local recycling center for information on where to drop off the spent battery. RBRC® is a registered trademark of Call 2 Recycle, Inc.



Important Safety Instructions for All Battery Chargers

⚠ WARNING: Read all safety warnings and all instructions for the battery pack, charger and power tool. Failure to follow the warnings and instructions may result in electric shock, fire and/or serious injury.

- **DO NOT attempt to charge the battery pack with any chargers other than the ones in this manual.** The charger and battery pack are specifically designed to work together.
- **These chargers are not intended for any uses other than charging DEWALT rechargeable batteries.** Any other uses may result in risk of fire, electric shock or electrocution.
- **Do not expose the charger to rain or snow.**
- **Pull by the plug rather than the cord when disconnecting the charger.** This will reduce the risk of damage to the electric plug and cord.
- **Make sure that the cord is located so that it will not be stepped on, tripped over or otherwise subjected to damage or stress.**
- **Do not use an extension cord unless it is absolutely necessary.** Use of improper extension cord could result in risk of fire, electric shock or electrocution.
- **When operating a charger outdoors, always provide a dry location and use an extension cord suitable for outdoor use.** Use of a cord suitable for outdoor use reduces the risk of electric shock.
- **An extension cord must have adequate wire size (AWG or American Wire Gauge) for safety.** The smaller the gauge number of the wire, the greater the capacity of the cable, that is, 16 gauge has more capacity than 18

gauge. An undersized cord will cause a drop in line voltage resulting in loss of power and overheating. When using more than one extension to make up the total length, be sure each individual extension contains at least the minimum wire size. The following table shows the correct size to use depending on cord length and nameplate ampere rating. If in doubt, use the next heavier gauge. The lower the gauge number, the heavier the cord.

Minimum Gauge for Cord Sets

Volts		Total Length of Cord in Feet (meters)			
120 V		25 (7.6)	50 (15.2)	100 (30.5)	150 (45.7)
240 V		50 (15.2)	100 (30.5)	200 (61.0)	300 (91.4)
Ampere Rating		American Wire Gauge			
More Than	Not More Than				
0	6	18	16	16	14
6	10	18	16	14	12
10	12	16	16	14	12
12	16	14	12	Not Recommended	

- **Do not place any object on top of the charger or place the charger on a soft surface that might block the ventilation slots and result in excessive internal heat.** Place the charger in a position away from any heat source. The charger is ventilated through slots in the top and the bottom of the housing.
- **Do not operate the charger with a damaged cord or plug.**
- **Do not operate the charger if it has received a sharp blow, been dropped or otherwise damaged in any way.** Take it to an authorized service center.
- **Do not disassemble the charger; take it to an authorized service center when service or repair is required.** Incorrect reassembly may result in a risk of electric shock, electrocution or fire.
- **Disconnect the charger from the outlet before attempting any cleaning. This will reduce the risk of electric shock.** Removing the battery pack will not reduce this risk.
- **NEVER** attempt to connect 2 chargers together.
- **The charger is designed to operate on standard 120V household electrical power. Do not attempt to use it on any other voltage.** This does not apply to the vehicular charger.

WARNING: Shock hazard. Do not allow any liquid to get inside the charger. Electric shock may result.

WARNING: Burn hazard. Do not submerge the battery pack in any liquid or allow any liquid to enter the battery pack. Never attempt to open the battery pack for any reason. If the plastic housing of the battery pack breaks or cracks, return to a service center for recycling.

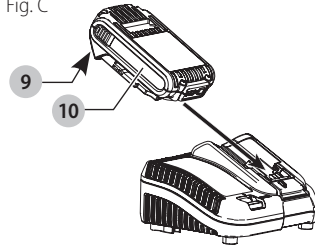
CAUTION: Burn hazard. To reduce the risk of injury, charge only DEWALT rechargeable battery packs. Other types of batteries may overheat and burst resulting in personal injury and property damage.

NOTICE: Under certain conditions, with the charger plugged into the power supply, the charger can be shorted by foreign material. Foreign materials of a conductive nature, such as, but not limited to, grinding dust, metal chips, steel wool, aluminum foil or any buildup of metallic particles should be kept away from the charger cavities. Always unplug the charger from the power supply when there is no battery pack in the cavity. Unplug the charger before attempting to clean.

Charging a Battery (Fig. C)

1. Plug the charger into an appropriate outlet before inserting battery pack.

Fig. C



2. Insert the battery pack **10** into the charger, making sure the battery pack is fully seated in the charger. The red (charging) light will blink continuously indicating that the charging process has started.
3. The completion of charge will be indicated by the red light remaining ON continuously. The battery pack is fully charged and may be used at this time or left in the charger. To remove the battery pack from the charger, push the battery release button **9** on the battery pack.

NOTE: To ensure maximum performance and life of lithium-ion battery packs, charge the battery pack fully before first use.

Charger Operation

Refer to the indicators below for the charge status of the battery pack.

DCB101		
	Charging	--- ---
	Fully Charged	—————
	Hot/Cold Pack Delay	—•—•—•—•—
	Problem Pack or Charger	••••••••••

DCB107, DCB112, DCB113, DCB115, DCB118, DCB132		
	Charging	--- ---
	Fully Charged	—————
	Hot/Cold Pack Delay*	--- ---

***DCB107, DCB112, DCB113, DCB115, DCB118, DCB132:** The red light will continue to blink, but a yellow indicator light will be illuminated during this operation. Once the battery pack has reached an appropriate temperature, the

ENGLISH

yellow light will turn off and the charger will resume the charging procedure.

The compatible charger(s) will not charge a faulty battery pack. The charger will indicate faulty battery pack by refusing to light.

NOTE: This could also mean a problem with a charger. If the charger indicates a problem, take the charger and battery pack to be tested at an authorized service center.

Hot/Cold Pack Delay

When the charger detects a battery pack that is too hot or too cold, it automatically starts a Hot/Cold Pack Delay, suspending charging until the battery pack has reached an appropriate temperature. The charger then automatically switches to the pack charging mode. This feature ensures maximum battery pack life.

A cold battery pack will charge at a slower rate than a warm battery pack. The battery pack will charge at that slower rate throughout the entire charging cycle and will not return to maximum charge rate even if the battery pack warms.

The DCB115 charger is equipped with an internal fan designed to cool the battery pack. The fan will turn on automatically when the battery pack needs to be cooled.

Never operate the charger if the fan does not operate properly or if ventilation slots are blocked. Do not permit foreign objects to enter the interior of the charger.

Electronic Protection System

Li-Ion tools are designed with an Electronic Protection System that will protect the battery pack against overloading, overheating or deep discharge.

The tool will automatically turn off if the Electronic Protection System engages. If this occurs, place the lithium-ion battery pack on the charger until it is fully charged.

Wall Mounting

DCB107, DCB112, DCB113, DCB115, DCB118, DCB132

These chargers are designed to be wall mountable or to sit upright on a table or work surface. If wall mounting, locate the charger within reach of an electrical outlet, and away from a corner or other obstructions which may impede air flow. Use the back of the charger as a template for the location of the mounting screws on the wall. Mount the charger securely using drywall screws (purchased separately) at least 1" (25.4 mm) long, with a screw head diameter of 0.28–0.35" (7–9 mm), screwed into wood to an optimal depth leaving approximately 7/32" (5.5 mm) of the screw exposed. Align the slots on the back of the charger with the exposed screws and fully engage them in the slots.

Charger Cleaning Instructions



WARNING: Shock hazard. Disconnect the charger from the AC outlet before cleaning. Dirt and grease may be removed from the exterior of the charger using a cloth or soft non-metallic brush. Do not use water or any cleaning solutions.

Important Charging Notes

1. Longest life and best performance can be obtained if the battery pack is charged when the air temperature is between 65 °F and 75 °F (18 °–24 °C). DO NOT charge the battery pack below +40 °F (+4.5 °C), or above +104 °F (+40 °C). This is important and will prevent serious damage to the battery pack.
2. The charger and battery pack may become warm to the touch while charging. This is a normal condition, and does not indicate a problem. To facilitate the cooling of the battery pack after use, avoid placing the charger or battery pack in a warm environment such as in a metal shed or an uninsulated trailer.
3. If the battery pack does not charge properly:
 - a. Check operation of receptacle by plugging in a lamp or other appliance;
 - b. Check to see if receptacle is connected to a light switch which turns power off when you turn out the lights;
 - c. Move the charger and battery pack to a location where the surrounding air temperature is approximately 65 °F – 75 °F (18 °–24 °C);
 - d. If charging problems persist, take the tool, battery pack and charger to your local service center.
4. The battery pack should be recharged when it fails to produce sufficient power on jobs which were easily done previously. DO NOT CONTINUE to use under these conditions. Follow the charging procedure. You may also charge a partially used pack whenever you desire with no adverse effect on the battery pack.
5. Foreign materials of a conductive nature such as, but not limited to, grinding dust, metal chips, steel wool, aluminum foil, or any buildup of metallic particles should be kept away from charger cavities. Always unplug the charger from the power supply when there is no battery pack in the cavity. Unplug the charger before attempting to clean.
6. Do not freeze or immerse the charger in water or any other liquid.

Storage Recommendations

1. The best storage place is one that is cool and dry, away from direct sunlight and excess heat or cold.
2. For long storage, it is recommended to store a fully charged battery pack in a cool dry place out of the charger for optimal results.

NOTE: Battery packs should not be stored completely depleted of charge. The battery pack will need to be recharged before use.

SAVE THESE INSTRUCTIONS FOR FUTURE USE

COMPONENTS (FIG. A)



WARNING: Never modify the power tool or any part of it. Damage or personal injury could result.

Refer to Figure A at the beginning of this manual for a complete list of components.

Intended Use

Your cable stapler is intended **ONLY** for use in driving staples into wood.

DO NOT use under wet conditions or in presence of flammable liquids or gases.

Use **ONLY** DEWALT staples that meet applicable building code requirements.

This tool is intended for use by construction professionals.

DO NOT let children come into contact with the tool.

Supervision is required when inexperienced operators use this tool.

TOOL SPECIFICATIONS

Actuation mode	Sequential
Voltage	20V
Height	7.5" (190.5 mm)
Width	2.875" (73 mm)
Length	12" (304.8 mm)
Weight	4.75 lbs (2.15 kg) without battery 5.6 lbs (2.54 kg) with DCB203 battery
Magazine angle	0° straight
Loading capacity	Up to 35 staples
Dry fire lock-out	Yes
LED	Yes

STAPLE SPECIFICATIONS

Staple type	DRS18100 Insulated cable staple
Staple lengths	1" (25.3 mm)
Staple crown	3/4" (19.7 mm)
Staple insulator	0.85" (21.6 mm) long x 0.16" (4 mm) wide

Dry Fire Lock Out

Your stapler is equipped with a dry fire lockout which prevents the tool from actuating when the magazine is empty. After the last staple is fired the tool ceases to operate. Refer to **Loading the Tool** to reload a stick of collated staples.

ASSEMBLY AND ADJUSTMENTS

WARNING: To reduce the risk of serious personal injury, turn unit off and remove the battery pack before loading staples, making any adjustments or removing/installing attachments or accessories. An accidental actuation can cause injury.

WARNING: Remove staples from magazine before making any adjustments or servicing this tool. Failure to do so may result in serious injury.

CAUTION: When not in use, place tool on its side on a stable surface where it will not cause a tripping or falling hazard. Some tools with large battery packs

will stand upright on the battery pack but may be easily knocked over.

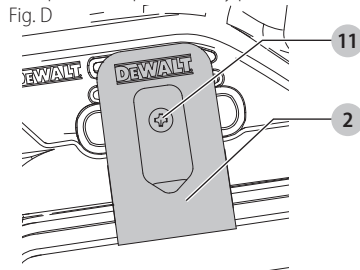
Utility Hook (Fig. D)

The DEWALT cordless stapler includes an integrated utility hook **2** and can be installed on either side of the tool to accommodate left- or right-handed users.

If the hook is not desired at all, it can be removed from the tool.

To Install the Utility Hook

1. Remove staples and battery pack from tool.
2. Using only the provided screw **11**, the utility hook **2** can be installed on either side of the tool. To switch the tool from right- or left-hand usage simply remove the screw and install the utility hook on the opposite side.
3. Load staples and replace battery pack.



OPERATION

WARNING: To reduce the risk of serious personal injury, turn unit off and remove the battery pack before loading staples, making any adjustments or removing/installing attachments or accessories. An accidental actuation can cause injury.

WARNING: Read the section titled **Stapler Safety Warnings** at the beginning of this manual. Always wear eye and ear protection when operating this tool. Keep the stapler pointed away from yourself and others. For safe operation, complete the following procedures and checks before each use of the stapler.

WARNING: To reduce the risk of personal injury, disconnect battery pack from tool before performing maintenance, clearing a jammed staple, leaving work area, moving tool to another location or handing the tool to another person.

WARNING: NEVER use a tool that has the wire indicator restrained in the up position.

WARNING: NEVER use a tool that has damaged parts.

Installing and Removing the Battery Pack (Fig. E)

NOTE: For best results, make sure your battery pack is fully charged.

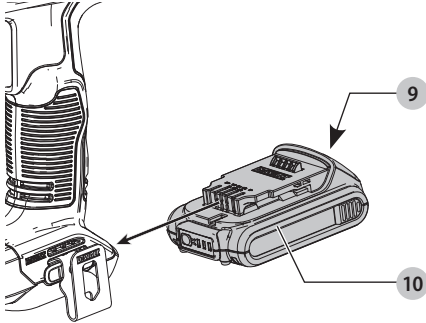
To install the battery pack **10** into the tool handle, align the battery pack with the rails inside the tool's handle and slide

ENGLISH

it into the handle until the battery pack is firmly seated in the tool and ensure that it does not disengage.

To remove the battery pack from the tool, press the release button **9** and firmly pull the battery pack out of the tool handle. Insert it into the charger as described in the charger section of this manual.

Fig. E



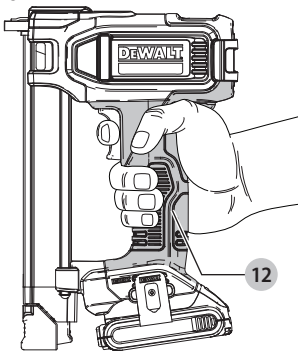
Proper Hand Position (Fig. F)

WARNING: To reduce the risk of serious personal injury, **ALWAYS** use proper hand position as shown.

WARNING: To reduce the risk of serious personal injury, **ALWAYS** hold securely in anticipation of a sudden reaction.

Proper hand position requires one hand on the handle **12** as shown in Fig. F.

Fig. F



Preparing the Tool (Fig. A)

NOTICE: NEVER spray or in any other way apply lubricants or cleaning solvents inside the tool. This can seriously affect the life and performance of the tool.



NOTE: The battery pack is not fully charged out of the carton. Follow instructions outlined (refer to **Charging A Battery**).

1. Read the **Stapler Safety Warnings** section of this manual.
2. Wear eye and ear protection.
3. Remove battery **10** from tool.
4. Ensure magazine **6** is empty of all fasteners.

5. Check for smooth and proper operation of cable alignment guide **3**, wire indicator **4** and pusher **8** assemblies. Do not use tool if either assembly is not functioning properly. **NEVER** use a tool that has the wire indicator restrained in the actuated position.
6. Keep tool pointed away from yourself and others.

NOTICE: Do not store tool with battery pack installed. To prevent damage to the pack and to ensure best battery life, store battery packs out of the tool or charger in a cool, dry location.

Loading the Tool (Fig. G)

WARNING: Keep the tool pointed away from yourself and others.

WARNING: Never load staples with the wire indicator or trigger activated.

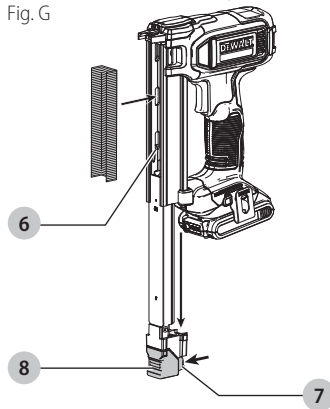
WARNING: Always remove battery pack before loading or unloading staples.

CAUTION: Keep fingers clear of pusher latch track to prevent injury.

WARNING: Use **DEWALT** staples only in this tool. Other staples can damage the wire insulation. Which may result in electric shock, fire and/or serious injury.

1. Depress magazine release button **7** and slide the magazine core and pusher **8** out until it reaches the end of its travel.
2. Drop staple strips into the loading slot of the magazine **6**, making sure the staple heads align correctly with the slot opening. (Refer to **Staple Specifications** to determine compatible size.)

Fig. G



3. Keeping fingers clear of the track, close the magazine by releasing the pusher latch. Carefully allow the latch to slide forward and engage the staple strip.

NOTE: Do not slam magazine core assembly into magazine or you could damage staples.

Unloading the Tool

WARNING: Always remove battery pack before loading or unloading staples.

1. Depress magazine release button **7** and slide the magazine core and pusher **8** out until it reaches the end of its travel.

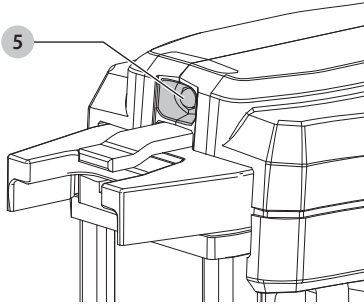
2. Tip the tool right side up until the staple strips fall freely out of the magazine.
3. Close the magazine by sliding the magazine core back into the magazine fully until it latches. Do not slam magazine core into the magazine.

Headlight/LED Worklight (Fig. H)

There is a headlight/LED worklight **5** located at the front of the unit. The headlight turns on upon battery insertion, activation of the trigger, or depressing the wire indicator. The light will automatically shut off after 20 seconds unless tool remains in use.

NOTE: The headlight is for lighting the immediate work surface and is not intended to be used as a flashlight.

Fig. H



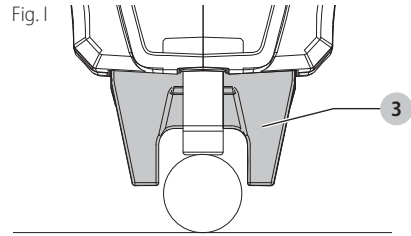
LOW BATTERY INDICATOR: The headlight will flash four consecutive times and then shut down to indicate low battery.

Actuating the Tool (Fig. I, J)

- ! WARNING:** Always turn off power to circuit before attempting to staple wires. Do not staple "live" wires.
- ! WARNING:** Always assume that the tool contains staples. Careless handling of the stapler can result in unexpected firing of staples and personal injury. Do not point the tool towards yourself or anyone nearby. Unexpected triggering could discharge a staple causing an injury. No horseplay! Work Safe! Respect the tool as a working implement.
- ! WARNING:** Do not actuate the tool unless the tool is placed firmly against the workpiece. If the tool is not in contact with the workpiece, the staple may be deflected away from your target.

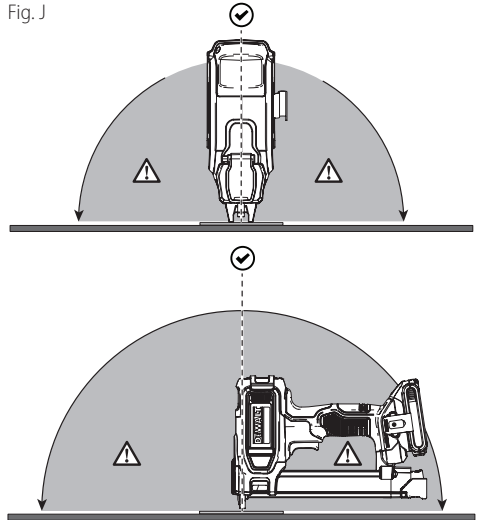
There is no need for depth adjustment.

1. Load unit with staples.
2. Place battery into tool.
3. Locate cable alignment guide **3** directly over the cable or wire you wish to staple so that the wire is centered as much as possible between the 2 prongs of the cable alignment guide.



! WARNING: Staples must be driven straight into the material. Do not tilt stapler while driving staples. Refer to Figure J. Staple retention values improve when tool is fired perpendicular to the material.

Fig. J




4. Push tool against cable firmly to depress cable alignment guide **3** all the way as well as wire indicator **4**, pull trigger **1** and a staple will be fired.
5. Check wire for damage after each shot.

NOTE: When firing into certain materials such as LVL or TJI joist, you may need to apply additional force toward the workpiece to properly seat the staple.

- ! WARNING:** Use caution in locating stapler over cable or wire to prevent the staple from piercing the cable jacket or insulation. After firing each staple, visually inspect driven staple to make sure wire insulation was not damaged. If damaged replace wire.

The DRS18100 insulated cable staples are UL® approved for the following combinations of Romex® wiring.

UL® Approved Romex® Cable Combinations (NM Sheathed Cable)			
Cable Gauge	Single Cable	Double Stacked Cable	
14-2	X	X	Any Combination: 14-2 or 14-3 or 12-2 or 12-3 or 10-2
14-3	X	X	
12-2	X	X	
12-3	X	X	
10-2	X	X	
10-3	X		

Clearing a Jammed Staple (Fig. A)

WARNING: To reduce the risk of serious personal injury, disconnect battery pack from tool before making any adjustments, changing accessories, servicing, or moving the tool. Such preventative safety measures reduce the risk of firing the tool accidentally.

1. Remove battery pack **10** from tool.
2. Depress magazine release button **7** and slide the magazine core and pusher **8** out until it reaches the end of its travel.
3. Tip the tool right side up until any loose staple strips fall freely out of the magazine. Any jammed staples can then be removed.
4. Refill magazine with new staples.

Cold Weather Operation

When operating tools at temperatures below freezing:

1. Keep tool as warm as possible prior to use.
2. Actuate the tool a few times into scrap lumber over a piece of scrap cable before using.

Hot Weather Operation

Tool should operate normally. However, keep tool out of direct sunlight as excessive heat can deteriorate bumpers and other rubber parts resulting in increased maintenance.

MAINTENANCE

WARNING: To reduce the risk of serious personal injury, turn unit off and remove the battery pack before loading staples, making any adjustments or removing/installing attachments or accessories. An accidental actuation can cause injury.

DAILY MAINTENANCE CHART

ACTION	Clean magazine, pusher, and wire indicator mechanism.
WHY	Permits smooth operation of magazine, reduces wear, and prevents jams.
HOW	Blowing off the tool with compressed air is the most effective way to clean the tool. The use of oils, lubricants periodically or solvents is not recommended as they tend to attract debris and/or damage the plastic parts of the tool.
ACTION	Before each use, check to ensure all screws and staples are tight and undamaged.
WHY	Prevents jams and premature failure of tool parts.
HOW	Tighten loose screws using the appropriate hex wrench or screwdriver.

Cleaning

WARNING: Blow dirt and dust out of all air vents with clean, dry air at least once a week. To minimize the risk of eye injury, always wear ANSI Z87.1 approved eye protection when performing this.

WARNING: NEVER use solvents or other harsh chemicals for cleaning the non-metallic parts of the tool. These chemicals may weaken the plastic materials used in these parts. Use a cloth dampened only with water and mild soap. Never let any liquid get inside the tool; never immerse any part of the tool into a liquid.

Lubrication

NOTICE: NEVER spray or in any other way apply lubricants or cleaning solvents inside the tool. This can seriously affect the life and performance of the tool.



DEWALT tools are properly lubricated at the factory and are ready for use. However, it is recommended that, once a year, you take or send the tool to a certified service center for a thorough cleaning and inspection.

Accessories

WARNING: Since accessories, other than those offered by DEWALT, have not been tested with this product, use of such accessories with this tool could be hazardous. To reduce the risk of injury, only DEWALT recommended accessories should be used with this product.

Recommended accessories for use with your tool are available at extra cost from your local dealer or authorized service center. If you need assistance in locating any accessory, please contact DEWALT Industrial Tool Co., 701

East Joppa Road, Towson, MD 21286, call 1-800-4-DEWALT (1-800-433-9258) or visit our website www.DEWALT.com.

Repairs

There are no user serviceable parts inside the stapler.

The charger and battery pack are not serviceable.



WARNING: To assure product **SAFETY** and **RELIABILITY**, repairs, maintenance and adjustment (including brush inspection and replacement) should be performed by a DeWALT factory service center or a DeWALT authorized service center. Always use identical replacement parts.

Register Online

Thank you for your purchase. Register your product now for:

- **WARRANTY SERVICE:** Registering your product will help you obtain more efficient warranty service in case there is a problem with your product.
- **CONFIRMATION OF OWNERSHIP:** In case of an insurance loss, such as fire, flood or theft, your registration of ownership will serve as your proof of purchase.
- **FOR YOUR SAFETY:** Registering your product will allow us to contact you in the unlikely event a safety notification is required under the Federal Consumer Safety Act.

Register online at www.dewalt.com/register.

Three Year Limited Warranty

DeWALT will repair, without charge, any defects due to faulty materials or workmanship for three years from the date of purchase. This warranty does not cover part failure due to normal wear or tool abuse. For further detail of warranty coverage and warranty repair information, visit www.dewalt.com or call 1-800-4-DEWALT (1-800-433-9258). This warranty does not apply to accessories or damage caused where repairs have been made or attempted by others. THIS LIMITED WARRANTY IS GIVEN IN LIEU OF ALL OTHERS, INCLUDING THE IMPLIED WARRANTY OF MERCHANTABILITY AND FITNESS FOR A PARTICULAR PURPOSE, AND EXCLUDES ALL INCIDENTAL OR CONSEQUENTIAL DAMAGES. Some states do not allow limitations on how long an implied warranty lasts or the exclusion or limitation of incidental or consequential damages, so these limitations may not apply to you. This warranty gives you specific legal rights and you may have other rights which vary in certain states or provinces. In addition to the warranty, DeWALT tools are covered by our:

1 YEAR FREE SERVICE

DeWALT will maintain the tool and replace worn parts caused by normal use, for free, any time during the first year after purchase. ADD WEAR STATEMENT: NO SPRINGS

2 YEARS FREE SERVICE ON DEWALT BATTERY PACKS

DC9071, DC9091, DC9096, DC9182, DC9280, DC9360, DCB120, DCB127, DCB201, DCB203BT, DCB207, DCB361

3 YEARS FREE SERVICE ON DEWALT BATTERY PACKS

DCB200, DCB203, DCB204, DCB204BT, DCB205, DCB205BT, DCB206, DCB230, DCB606, DCB609, DCB612

NOTE: Battery warranty voided if the battery pack is tampered with in any way. DeWALT is not responsible for any injury caused by tampering and may prosecute warranty fraud to the fullest extent permitted by law.

90 DAY MONEY BACK GUARANTEE

If you are not completely satisfied with the performance of your DeWALT Power Tool, Laser, or Stapler for any reason, you can return it within 90 days from the date of purchase with a receipt for a full refund – no questions asked.

LATIN AMERICA: This warranty does not apply to products sold in Latin America. For products sold in Latin America, see country specific warranty information contained in the packaging, call the local company or see website for warranty information.

FREE WARNING LABEL REPLACEMENT: If your warning labels become illegible or are missing, call 1-800-4-DEWALT (1-800-433-9258) for a free replacement.

TROUBLESHOOTING GUIDE

Many common problems can be solved easily by utilizing the chart below. For more serious or persistent problems, contact a DeWALT service center or call 1-(800)-4-DeWALT.



WARNING: To reduce the risk of serious personal injury, ALWAYS disconnect battery pack from tool before all repairs.

SYMPTOM	CAUSE	FIX
Tool will not fire	Dryfire lock out engaged, blocking wire indicator from traveling fully.	Load more staples into magazine.
	Battery is hot.	Let the battery cool or replace it with a cool pack.
	Tool is hot.	Let the tool cool down before continuing use.
	Bent contact trip.	See authorized service center.
	Terminals are dirty or damaged.	See authorized service center.
	Damaged internal electronics.	See authorized service center.
	Damaged trigger.	See authorized service center.
	Jammed staple/driver blade not returned to home position.	Remove battery, clear jammed staple, reinsert battery pack, driver blade will reset by using the tool normally (first cycle will not fire a staple).
	Damaged driver.	See authorized service center.
	Jammed internal mechanism.	See authorized service center.
Tool operates but does not drive fasteners fully	Damaged internal electronics.	See authorized service center.
	Tool not firmly applied to workpiece.	Apply adequate force to tool securing it tightly to workpiece. Refer to Actuating the Tool .
	Damaged or worn driver tip.	See authorized service center.
Damaged actuation mechanism.	See authorized service center.	
	See authorized service center.	
Tool operates, but no fastener is driven	Wrong size or staples.	Use only the recommended staples. Refer to Staple Specifications .
	Debris in nosepiece.	Clean nose area and watch closely for small pieces of broken staples stuck in the track.
	Debris in magazine.	Clean magazine.
	Damaged pusher spring.	Replace spring. See authorized service center.
	Worn magazine.	Replace magazine. See authorized service center.
Jammed staples	Wrong size or staples.	Use only the recommended staples. Refer to Staple Specifications .
	Magazine not secured after previous jam clear/inspection.	Make sure the magazine is latched properly.
	Material and fastener length.	If the unit continues to stall, see authorized service center.
	Debris in nosepiece.	Clean nose area and watch closely for small pieces of broken staples stuck in the track.
	Worn magazine.	Replace magazine. See authorized service center.
	Damaged pusher spring.	Replace springs. See authorized service center.
	Damaged or worn driver.	Replace driver with kit.
Staples do not fit	Confirm DeWALT staples are being used.	Your stapler is only compatible with DeWALT staples.

Définitions : symboles et termes d'alarmes sécurité

Ces guides d'utilisation utilisent les symboles et termes d'alarmes sécurité suivants pour vous prévenir de situations dangereuses et de risques de dommages corporels ou matériels.



DANGER : indique une situation dangereuse imminente qui, si elle n'est pas évitée, **entraînera la mort ou des blessures graves**.



AVERTISSEMENT : indique une situation potentiellement dangereuse qui, si elle n'est pas évitée, **pourrait entraîner la mort ou des blessures graves**.



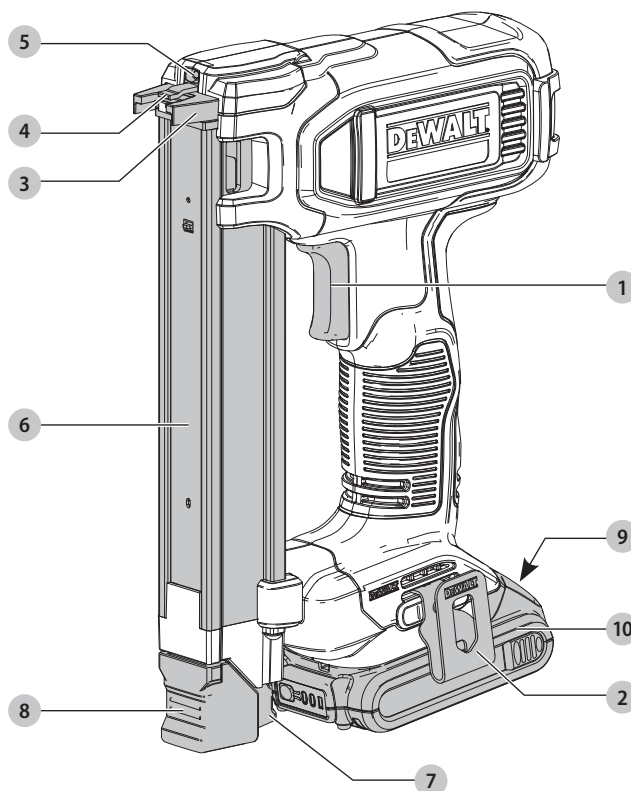
ATTENTION : indique une situation potentiellement dangereuse qui, si elle n'est pas évitée, **pourrait entraîner des blessures légères ou modérées**.



(Si utilisé sans aucun terme) Indique un message propre à la sécurité.

AVIS : indique une pratique ne posant **aucun risque de dommages corporels** mais qui par contre, si rien n'est fait pour l'éviter, **pourrait poser des risques de dommages matériels**.

Fig. A



- | | |
|--------------------------------|--------------------------------------|
| 1 Gâchette | 6 Magasin |
| 2 Crochet utilitaire | 7 Bouton de libération du magasin |
| 3 Guide d'alignement du câble | 8 Poussoir |
| 4 Indicateur du câble | 9 Bouton de libération du bloc-piles |
| 5 Lumière/Lampe de travail DEL | 10 Bloc-piles |



AVERTISSEMENT! lire tous les avertissements de sécurité et toutes les directives. Le non-respect des avertissements et des directives pourrait se solder par un choc électrique, un incendie et/ou une blessure grave.



AVERTISSEMENT : afin de réduire le risque de blessures, lire le mode d'emploi de l'outil.

Pour toute question ou remarque au sujet de cet outil ou de tout autre outil DeWALT, composez le numéro sans frais : 1-800-4-DeWALT (1-800-433-9258).

AVERTISSEMENTS DE SÉCURITÉ GÉNÉRAUX POUR LES OUTILS ÉLECTRIQUES



AVERTISSEMENT! lisez tous les avertissements de sécurité, toutes les instructions, les illustrations et les caractéristiques fournis avec cet outil électrique. Le non-respect des avertissements et des directives pourrait se solder par un choc électrique, un incendie et/ou une blessure grave.

CONSERVER TOUS LES AVERTISSEMENTS ET TOUTES LES DIRECTIVES POUR UN USAGE ULTÉRIEUR

Le terme « outil électrique » cité dans les avertissements se rapporte à votre outil électrique à alimentation sur secteur (avec fil) ou par piles (sans fil).

1) Sécurité du lieu de travail

- Tenir l'aire de travail propre et bien éclairée.**
Les lieux encombrés ou sombres sont propices aux accidents.
- Ne pas faire fonctionner d'outils électriques dans un milieu déflagrant, tel qu'en présence de liquides, de gaz ou de poussières inflammables.**
Les outils électriques produisent des étincelles qui pourraient enflammer la poussière ou les vapeurs.
- Éloigner les enfants et les personnes à proximité pendant l'utilisation d'un outil électrique.** Une distraction pourrait en faire perdre la maîtrise à l'utilisateur.

2) Sécurité en matière d'électricité

- Les fiches des outils électriques doivent correspondre à la prise. Ne jamais modifier la fiche d'aucune façon. Ne jamais utiliser de fiche d'adaptation avec un outil électrique mis à la terre.** Le risque de choc électrique sera réduit par l'utilisation de fiches non modifiées correspondant à la prise.
- Éviter tout contact physique avec des surfaces mises à la terre comme des tuyaux, des radiateurs, des cuisinières et des réfrigérateurs.** Le risque de choc électrique est plus élevé si votre corps est mis à la terre.
- Ne pas exposer les outils électriques à la pluie ou à l'humidité.** La pénétration de l'eau dans un outil électrique augmente le risque de choc électrique.
- Ne pas utiliser le cordon de façon abusive. Ne jamais utiliser le cordon pour transporter, tirer ou débrancher un outil électrique. Tenir le cordon éloigné de la chaleur, de l'huile, des bords tranchants et des pièces mobiles.** Les cordons endommagés ou enchevêtrés augmentent les risques de choc électrique.
- Pour l'utilisation d'un outil électrique à l'extérieur, se servir d'une rallonge convenant à cette application.** L'utilisation d'une rallonge conçue pour l'extérieur réduira les risques de choc électrique.

- S'il est impossible d'éviter l'utilisation d'un outil électrique dans un endroit humide, brancher l'outil dans une prise ou sur un circuit d'alimentation dotés d'un disjoncteur de fuite à la terre (GFCI).** L'utilisation de ce type de disjoncteur réduit les risques de choc électrique.

3) Sécurité personnelle

- Être vigilant, surveiller le travail effectué et faire preuve de jugement lorsqu'un outil électrique est utilisé. Ne pas utiliser d'outil électrique en cas de fatigue ou sous l'influence de drogues, d'alcool ou de médicaments.** Un simple moment d'inattention en utilisant un outil électrique peut entraîner des blessures corporelles graves.
- Utiliser des équipements de protection individuelle. Toujours porter une protection oculaire.** L'utilisation d'équipements de protection comme un masque antipoussière, des chaussures antidérapantes, un casque de sécurité ou des protecteurs auditifs lorsque la situation le requiert réduira les risques de blessures corporelles.
- Empêcher les démarrages intempestifs. S'assurer que l'interrupteur se trouve à la position d'arrêt avant de relier l'outil à une source d'alimentation et/ou d'insérer un bloc-piles, de ramasser ou de transporter l'outil.** Transporter un outil électrique alors que le doigt repose sur l'interrupteur ou brancher un outil électrique dont l'interrupteur est à la position de marche risque de provoquer un accident.
- Retirer toute clé de réglage ou clé avant de démarrer l'outil.** Une clé ou une clé de réglage attachée à une partie pivotante de l'outil électrique peut provoquer des blessures corporelles.
- Ne pas trop tendre les bras. Conserver son équilibre en tout temps.** Cela permet de mieux maîtriser l'outil électrique dans les situations imprévues.
- S'habiller de manière appropriée. Ne pas porter de vêtements amples ni de bijoux. Garder les cheveux, les vêtements et les gants à l'écart des pièces mobiles.** Les vêtements amples, les bijoux ou les cheveux longs risquent de rester coincés dans les pièces mobiles.
- Si des composants sont fournis pour le raccordement de dispositifs de dépoussiérage et de ramassage, s'assurer que ceux-ci sont bien raccordés et utilisés.** L'utilisation d'un dispositif de dépoussiérage peut réduire les dangers engendrés par les poussières.
- Ne pas laisser votre connaissance acquise suite à l'utilisation fréquente des outils vous permettre de baisser la garde et ignorer les principes de sécurité de l'outil.** Un acte irréfléchi peut causer une blessure grave en une fraction de seconde.

4) Utilisation et entretien d'un outil électrique

- a) **Ne pas forcer un outil électrique. Utiliser l'outil électrique approprié à l'application.** L'outil électrique approprié effectuera un meilleur travail, de façon plus sûre et à la vitesse pour laquelle il a été conçu.
- b) **Ne pas utiliser un outil électrique dont l'interrupteur est défectueux.** Tout outil électrique dont l'interrupteur est défectueux est dangereux et doit être réparé.
- c) **Débrancher la fiche de la source d'alimentation et/ou du bloc-piles de l'outil électrique avant de faire tout réglage ou changement d'accessoire ou avant de ranger l'outil.** Ces mesures préventives réduisent les risques de démarrage accidentel de l'outil électrique.
- d) **Ranger les outils électriques hors de la portée des enfants et ne permettre à aucune personne n'étant pas familière avec un outil électrique ou son mode d'emploi d'utiliser cet outil.** Les outils électriques deviennent dangereux entre les mains d'utilisateurs inexpérimentés.
- e) **Entretien des outils électriques. Vérifier si les pièces mobiles sont mal alignées ou coincées, si des pièces sont brisées ou présentent toute autre condition susceptible de nuire au bon fonctionnement de l'outil électrique. En cas de dommage, faire réparer l'outil électrique avant toute nouvelle utilisation.** Beaucoup d'accidents sont causés par des outils électriques mal entretenus.
- f) **S'assurer que les outils de coupe sont aiguisés et propres.** Les outils de coupe bien entretenus et affûtés sont moins susceptibles de se coincer et sont plus faciles à maîtriser.
- g) **Utiliser l'outil électrique, les accessoires, les forêts, etc. conformément aux présentes directives en tenant compte des conditions de travail et du travail à effectuer.** L'utilisation d'un outil électrique pour toute opération autre que celle pour laquelle il a été conçu est dangereuse.
- h) **Garder vos mains et les surfaces de prise sèches, propres et libres de graisse et de poussière.** Les mains et les surfaces de prise glissantes ne permettent pas la manutention et le contrôle sécuritaires de l'outil dans les situations imprévues.

5) Utilisation et entretien du bloc-piles

- a) **Ne recharger l'outil qu'au moyen du chargeur précisé par le fabricant.** L'utilisation d'un chargeur qui convient à un type de bloc-piles risque de provoquer un incendie s'il est utilisé avec un autre type de bloc-piles.
- b) **Utiliser les outils électriques uniquement avec les blocs-piles conçus à cet effet.** L'utilisation de tout autre bloc-piles risque de causer des blessures ou un incendie.

- c) **Lorsque le bloc-piles n'est pas utilisé, le tenir éloigné des objets métalliques, notamment des trombones, de la monnaie, des clés, des clous, des vis ou autres petits objets métalliques qui peuvent établir une connexion entre les deux bornes.** Le court-circuit des bornes du bloc-piles risque de provoquer des brûlures ou un incendie.
- d) **En cas d'utilisation abusive, le liquide peut gicler hors du bloc-piles; éviter tout contact avec ce liquide. Si un contact accidentel se produit, laver à grande eau. Si le liquide entre en contact avec les yeux, obtenir également des soins médicaux.** Le liquide qui giclé hors du bloc-piles peut provoquer des irritations ou des brûlures.
- e) **Ne pas utiliser de bloc-piles ou outil qui a été endommagé ou modifié.** Les unités endommagées ou modifiées peuvent avoir une réaction imprévisible résultant en un incendie, une explosion ou un potentiel de blessure.
- f) **Ne pas exposer de bloc-piles ou l'outil aux flammes ou à des températures excessives.** L'exposition aux flammes ou à une température au-dessus de 129 °C (265 °F) pourrait causer une explosion.
- g) **Suivre toutes les instructions de recharge et ne rechargez pas le bloc-piles ou l'outil à des températures hors de la plage de température indiquée dans les instructions.** Une recharge non conforme ou à une température hors des limites spécifiées peut endommager les piles et augmenter le risque d'incendie.

6) Réparation

- a) **Faire réparer l'outil électrique par un réparateur professionnel en n'utilisant que des pièces de recharge identiques.** Cela permettra de maintenir une utilisation sécuritaire de l'outil électrique.
- b) **Ne jamais réparer des blocs-piles endommagés.** La réparation de blocs-piles doit seulement être effectuée par le fabricant ou les fournisseurs de service autorisés.

Avertissements de sécurité concernant l'agrafeuse


- **Tenez toujours pour acquis que l'outil contient des agrafes.** Une manipulation imprudente de l'agrafeuse peut entraîner un tir inattendu d'agrafes et une blessure corporelle.
- **Ne pas pointer l'outil vers vous ou toute personne à proximité.** Un déclenchement inattendu pourrait décharger une agrafe causant une blessure.
- **Ne pas actionner l'outil à moins que l'outil soit fermement placé contre la pièce de travail.** Si l'outil n'est pas en contact avec la pièce de travail, l'attache peut être déviée de votre cible.
- **Débranchez l'outil de la source d'alimentation lorsque la fixation bloque dans l'outil.** Lorsque

FRANÇAIS


vous retirez une fixation bloquée, l'agrafeuse peut être accidentellement activée si elle est branchée.

- **Lorsque vous fixez des câbles électriques, assurez-vous que les câbles ne sont pas sous tension. Tenez l'agrafeuse seulement par les surfaces de prise isolées. Utilisez seulement des fixations conçues pour des installations de câbles électriques. Vérifiez si la fixation n'a pas endommagé l'isolation des câbles électriques.** Une fixation qui endommage l'isolation des câbles électriques peut entraîner des risques de chocs électriques et d'incendie.

Avertissements de sécurité supplémentaires concernant l'agrafeuse

 **AVERTISSEMENT :** lorsque vous utilisez une agrafeuse, toutes les consignes de sécurité, selon les modalités suivantes, doivent être suivies afin d'éviter le risque de mort ou de blessure grave. Lisez toutes les instructions avant d'utiliser l'outil.

- **Coupez toujours le courant avant de tenter d'agrafer des câbles.** Ne pas agraffer des câbles sous tension.
- **Utilisez des agrafes DEWALT pour fixer des câbles électriques.** Elles sont conçues pour l'installation de câbles électriques.
- **Ne jamais utiliser l'outil si le magasin n'est pas enclenché ou s'il est séparé de l'outil.**
- **Gardez les mains et les parties de votre corps à l'écart de la zone de sortie de l'outil.** Pendant l'utilisation, NE JAMAIS prendre l'outil par le magasin ou la cartouche, une fixation mal enfoncée peut sortir du nez causant une blessure.
- **Tenez toujours l'outil par les surfaces de prise isolées lorsque vous fixez des câbles. Tenez pour acquis que l'outil sous tension même s'il est éteint.** Entrer en contact avec un câble « sous tension » exposera aussi les pièces métalliques de l'outil « sous tension » et pourrait donner un choc électrique à l'utilisateur.
- **Toujours porter une protection auditive et toute autre protection convenable lors de l'utilisation de l'outil.** Dans certaines conditions et selon la durée d'utilisation, le bruit émis par ce produit pourrait contribuer à une perte auditive.
- **Débranchez le bloc-piles de l'outil lorsqu'il n'est pas utilisé.** Retirez toujours le bloc-piles et retirez les agrafes du magasin avant de quitter l'aire ou de passer l'outil à un autre utilisateur. Ne pas transporter l'outil dans une autre aire de travail dans laquelle changer de localisation implique l'utilisation d'échafaudages, d'escaliers, d'échelles et d'autres objets semblables, avec le bloc-piles branché. Ne pas faire d'ajustements, faire un entretien ou retirer des agrafes obstruées pendant que la pile est en place.
- **Ne pas retirer, modifier ou rendre l'outil ou la gâchette inutilisable.** Ne pas coller la gâchette avec du ruban ou l'attacher en position Marche. Ne pas retirer le ressort de l'indicateur du câble. Faites des inspections quotidiennes pour le libre mouvement de la gâchette. Cela pourrait causer une décharge non contrôlée.

- **Inspectez l'outil avant de l'utiliser. Ne pas utiliser l'outil si une partie de l'outil ou de la gâchette est inutilisable, déconnectée, altérée ou ne fonctionne pas bien.** Les pièces endommagées ou manquantes doivent être réparées ou remplacées avant l'utilisation. Consultez Réparations.
 - **Ne jamais altérer ou modifier l'outil.**
 - **Gardez les passants, les enfants et les visiteurs éloignés lorsque vous utilisez un outil électrique.** Les distractions peuvent vous faire perdre le contrôle. Lorsque l'outil n'est pas utilisé, il doit être verrouillé dans un endroit sécuritaire, hors de portée des enfants.
 - **Ne pas trop vous étirer. Maintenez vos pieds bien d'aplomb sur le sol et un bon équilibre en tout temps.** La perte d'équilibre pourrait causer des blessures.
 - **Utilisez l'outil seulement pour son utilisation prévue. Ne pas décharger les agrafes à l'air libre ou dans tout matériau trop dur pour que l'agrafe y pénètre. Ne pas utiliser le corps de l'outil ou le capuchon supérieur comme marteau. Les agrafes déchargées peuvent suivre une trajectoire inattendue et causer une blessure.**
 - **Gardez toujours les doigts à l'écart de l'indicateur du câble afin de prévenir une blessure due à la libération accidentelle de l'agrafe.**
 - **Consultez les sections Entretien et Réparations pour des renseignements détaillés sur l'entretien approprié de l'outil.**
 - **Utilisez toujours l'outil dans un endroit propre et éclairé.** Assurez-vous que la surface de travail est libre de tout débris et faites attention à ne pas perdre pied lorsque vous travaillez dans des environnements élevés comme les toits.
 - **Les agrafes doivent être enfoncées droites dans le matériau.** Ne pas incliner l'agrafeuse pendant que vous enfoncez les agrafes. Le ricochet ou le blocage d'agrafes peut entraîner une blessure corporelle.
 - **Gardez vos mains et les autres parties de votre corps à l'écart de l'aire de travail immédiate.**
-  **AVERTISSEMENT :** pour éviter blessure corporelle, gardez vos mains et votre corps à l'écart de la zone de sortie de l'outil.
- **Ne pas utiliser l'outil en présence de poussière, de gaz et de vapeurs inflammables.** Cet outil produit des étincelles qui peuvent enflammer les gaz ou la poussière causant une explosion. Enfoncer une agrafe dans une autre agrafe peut aussi causer une étincelle.
 - **Gardez votre visage et les parties de votre corps à l'écart de l'arrière du capuchon de l'outil lorsque vous travaillez dans des aires restreintes.** Un recul soudain peut entraîner un impact avec le corps, particulièrement lorsque vous brochez dans un matériau dur ou dense.
 - **Saisissez fermement l'outil pour maintenir le contrôle tout en laissant l'outil reculer de la surface de travail une fois l'agrafe enfoncée.**

- **Vous devez tenir compte de l'épaisseur du matériau lorsque vous utilisez l'agrafeuse.** Une agrafe qui dépasse peut causer une blessure.
- **Vérifiez le câble après chaque tir afin d'assurer que le revêtement du câble demeure intact.**
- **Rester vigilant, faire attention au travail en cours et faire preuve de jugement dans l'utilisation de tout outil électrique. Ne pas utiliser d'outil en cas de fatigue ou sous l'emprise de drogues, d'alcool ou de médicaments.** Un simple moment d'inattention en utilisant un outil électrique peut entraîner des blessures graves.

Consigne de sécurité supplémentaire



AVERTISSEMENT : porter **SYSTEMATIQUEMENT** des lunettes de protection. Les lunettes courantes NE sont PAS des lunettes de protection. Utiliser aussi un masque antipoussières si la découpe doit en produire beaucoup. **PORTER SYSTEMATIQUEMENT UN ÉQUIPEMENT DE SÉCURITÉ HOMOLOGUÉ :**

- Protection oculaire ANSI Z87.1 (CAN/CSA Z94.3) ;
- Protection auditive ANSI S12.6 (S3.19) ;
- Protection des voies respiratoires NIOSH/OSHA/MSHA.



AVERTISSEMENT : les scies, meules, ponceuses, perceuses ou autres outils de construction peuvent produire des poussières contenant des produits chimiques reconnus par l'État californien pour causer cancers, malformations congénitales ou être nocifs au système reproducteur. Parmi ces produits chimiques, on retrouve :

- Le plomb dans les peintures à base de plomb ;
- La silice cristallisée dans les briques et le ciment, ou autres produits de maçonnerie ; et
- L'arsenic et le chrome dans le bois ayant subi un traitement chimique.

Le risque associé à de telles expositions varie selon la fréquence à laquelle on effectue ces travaux. Pour réduire toute exposition à ces produits : travailler dans un endroit bien aéré, en utilisant du matériel de sécurité homologué, tel un masque antipoussières spécialement conçu pour filtrer les particules microscopiques.

- **Limiter toute exposition prolongée avec les poussières provenant du ponçage, sciage, meulage, perçage ou toute autre activité de construction. Porter des vêtements de protection et nettoyer à l'eau savonneuse les parties du corps exposées.** Le fait de laisser la poussière pénétrer dans la bouche, les yeux ou la peau peut favoriser l'absorption de produits chimiques dangereux.



AVERTISSEMENT : cet outil peut produire et/ou répandre de la poussière susceptible de causer des dommages sérieux et permanents au système respiratoire. Utiliser systématiquement un appareil de protection des voies respiratoires homologué par le NIOSH ou l'OSHA. Diriger les particules dans le sens opposé au visage et au corps.



AVERTISSEMENT : pendant l'utilisation, porter systématiquement une protection auditive individuelle adéquate homologuée ANSI S12.6 (S3.19). Sous certaines conditions et suivant la durée d'utilisation, le bruit émanant de ce produit pourrait contribuer à une perte de l'acuité auditive.



ATTENTION : après utilisation, ranger l'outil sur son côté, sur une surface stable, là où il ne pourra ni faire trébucher ni faire chuter quelqu'un. Certains outils équipés d'un large bloc-piles peuvent tenir à la verticale sur celui-ci, mais manquent alors de stabilité.

- **Prendre des précautions à proximité des événements, car ils cachent des pièces mobiles.** Vêtements amples, bijoux ou cheveux longs risquent de rester coincés dans ces pièces mobiles.

L'étiquette apposée sur votre outil peut inclure les symboles suivants. Les symboles et leur définition sont indiqués ci-après :

V	volts		or AC.....	courant alternatif
Hz	hertz		or AC/DC....	courant alternatif ou continu
min	minutes		 fabrication classe II (double isolation)
	or DC.....		 fabrication classe I (mis à la terre)
			n ₀
.../min.....	par minute			n
BPM.....	battements par minute		 vitesse nominale
IPM.....	impacts par minute		 borne de terre
RPM.....	revolutions per minute		 symbole d'avertissement
sp/m	pieds linéaires par minute (plpm)		 radiation visible
SPM (FPM)	fréquence par minute		 protection respiratoire
A	ampères		 protection oculaire
W.....	watts		 protection auditive
			 lire toute la documentation

BLOCS-PILES ET CHARGEURS

Le bloc-piles n'est pas totalement chargé d'usine. Avant d'utiliser le bloc-piles et le chargeur, lire les consignes de sécurité ci-après puis suivre la procédure de chargement indiquée. Pour commander un bloc-piles de rechange, s'assurer d'en inclure le numéro de catalogue et la tension. Cet outil fonctionne avec un chargeur DEWALT. S'assurer de bien lire toutes les consignes de sécurité avant toute utilisation du chargeur. Consulter le tableau en fin de manuel pour connaître les compatibilités entre chargeurs et blocs-piles.

LIRE TOUTES LES CONSIGNES

Consignes importantes de sécurité les blocs-piles



AVERTISSEMENT : lire toutes les instructions et toutes les consignes de sécurité propres au bloc-piles, au chargeur et à l'outil électrique. **Tout manquement aux avertissements et instructions**

FRANÇAIS

pose des risques de décharges électriques, d'incendie et/ou de blessures graves.

- **Ne pas recharger ou utiliser un bloc-piles en milieu déflagrant, en présence, par exemple, de poussières, gaz ou liquides inflammables.** Le fait d'insérer ou retirer un bloc-piles de son chargeur pourrait causer l'inflammation de poussières ou d'émanations.
- **NE JAMAIS forcer l'insertion d'un bloc-piles dans un chargeur. NE modifier un bloc-piles d'AUCUNE façon pour le faire rentrer dans un chargeur incompatible, car il pourrait se briser et causer des dommages corporels graves.** Consulter le tableau en dernière page de ce manuel pour connaître les compatibilités entre chargeurs et blocs-piles.
- Recharger les blocs-piles exclusivement dans des chargeurs DEWALT.
- **NE PAS** éclabousser le bloc-piles ou l'immerger dans l'eau ou dans tout autre liquide.
- **Ne pas entreposer ou utiliser l'appareil et le bloc-piles en présence de températures ambiantes pouvant excéder 40 °C (104 °F) (comme dans des hangars ou des bâtiments métalliques l'été).** Pour préserver leur durée de vie, entreposer les blocs-piles dans un endroit frais et sec.

REMARQUE : ne pas mettre un bloc-piles dans un outil dont la gâchette est verrouillée en position de marche. Ne jamais bloquer l'interrupteur en position de MARCHÉ.

- **Ne pas incinérer le bloc-piles même s'il est sévèrement endommagé ou complètement usagé, car il pourrait exploser et causer un incendie.** Pendant l'incinération des blocs-piles au lithium-ion, des vapeurs et matières toxiques sont dégagées.
- **En cas de contact du liquide de la pile avec la peau, rincer immédiatement au savon doux et à l'eau.** En cas de contact oculaire, rincer l'œil ouvert à l'eau claire une quinzaine de minutes ou jusqu'à ce que l'irritation cesse. Si des soins médicaux s'avèrent nécessaires, noter que l'électrolyte de la pile est composé d'un mélange de carbonates organiques liquides et de sels de lithium.
- **Le contenu des cellules d'une pile ouverte peut causer une irritation respiratoire.** En cas d'inhalation, exposer l'individu à l'air libre. Si les symptômes persistent, consulter un médecin.



AVERTISSEMENT : risques de brûlure. Le liquide de la pile peut s'enflammer s'il est exposé à des étincelles ou à une flamme.



AVERTISSEMENT : risques d'incendie. Ne jamais tenter d'ouvrir le bloc-piles pour quelque raison que ce soit. Si le boîtier du bloc-piles est fissuré ou endommagé, ne pas l'insérer dans un chargeur. Ne pas écraser, laisser tomber, ou endommager les blocs-piles. Ne pas utiliser un bloc-piles ou un chargeur qui a reçu un choc violent, ou si l'appareil est tombé, a été écrasé ou endommagé de quelque façon que ce soit (p. ex. percé par un clou, frappé d'un coup de marteau, piétiné). Les blocs-piles endommagés

doivent être renvoyés à un centre de réparation pour y être recyclés.

Transport



AVERTISSEMENT : risques d'incendie. Au moment de ranger ou transporter le bloc-piles, veiller à protéger ses bornes à découvert de tout objet métallique. Par exemple, éviter de placer le bloc-piles dans un tablier, une poche, une boîte à outils ou un tiroir, etc. contenant des objets tels que clous, vis, clés, etc. **Le fait de transporter des blocs-piles comporte des risques d'incendie, car les bornes des piles pourraient entrer, par inadvertance, en contact avec des objets conducteurs, tels que : clés, pièces de monnaie, outils ou autres.**

La réglementation sur les produits dangereux (Hazardous Material Regulations) du département américain des transports interdit, en fait, le transport des blocs-piles dans les commerces ou dans les avions dans les bagages de cabine, À MOINS qu'ils ne soient correctement protégés de tout court-circuit. Aussi lors du transport individuel de blocs-piles, s'assurer que leurs bornes sont bien protégées et isolées de tout matériau pouvant entrer en contact avec elles et provoquer un court-circuit.

REMARQUE : il ne faut pas laisser de piles au lithium-ion dans les bagages enregistrés.

Expédition du bloc-piles DEWALT FLEXVOLT™

Le bloc-piles DEWALT FLEXVOLT™ possède deux modes :

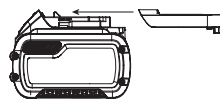
Utilisation et Expédition.

Mode Utilisation : lorsque le bloc-piles FLEXVOLT™ est par lui-même ou dans un produit DEWALT 20 v max*, il fonctionnera comme un bloc-piles de 20 v max*. Lorsque le bloc-piles FLEXVOLT™ est dans un produit de 60 v max* ou 120 v max* (deux blocs-piles de 60 v max*), il fonctionnera comme un bloc-piles de 60 v max*.

Mode Expédition :

lorsque le capuchon est inséré sur le bloc-piles FLEXVOLT™, le bloc-piles est en mode Expédition. Les modules de cellules sont électriquement déconnectés du bloc faisant correspondre à trois blocs-piles d'un wattheure (Wh) inférieur comparé à un bloc-piles de wattheure élevé. Ce passage à trois blocs-piles à un wattheure inférieur peut permettre au bloc-piles d'être exempté de suivre certaines directives d'expédition imposées sur les blocs-piles de wattheure supérieur.

L'étiquette du bloc-piles donne deux estimations de wattheures (se reporter à l'exemple). Selon comment le bloc-piles est expédié, l'estimation appropriée de wattheure doit être utilisée pour déterminer les modalités d'expédition lui correspondant. Si le capuchon d'expédition est utilisé, le bloc-piles sera considéré comme 3 blocs-piles au wattheure indiqué pour « Expédition ». S'il est expédié sans le capuchon ou dans un outil, le bloc-piles sera considéré comme un seul bloc-piles au wattheure indiqué à côté de « Utilisation ».



Exemple d'étiquetage d'utilisation et d'expédition

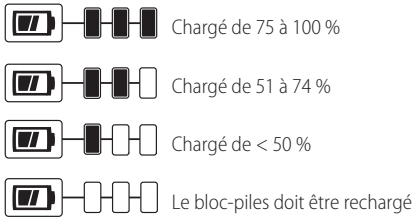
USE: 120 Wh Shipping: 3 x 40 Wh

Par exemple, le Wh deexpédition pourra indiquer 3 x 40 Wh, ce qui correspond à 3 blocs-piles de 40 wattheures chacun. L'utilisation du Wh pourra indiquer 120 Wh (sous-entendu 1 bloc-piles).

Témoin de Charge du Bloc-Piles (Fig. B)

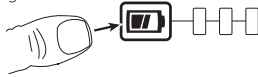
Certains blocs-piles DEWALT possèdent un témoin de charge qui consiste en trois voyants Del verts indiquant le niveau de charge du bloc-piles.

Le témoin de charge indique approximativement le niveau de charge restant dans le bloc-piles en fonction des voyants suivants :



Pour activer le témoin de charge, maintenez appuyé le bouton du témoin de charge. Une combinaison des trois voyants Del verts s'allumera indiquant le niveau de charge. Lorsque le niveau de charge du bloc-pile atteint la limite minimale d'utilisation, le témoin de charge reste éteint et le bloc-piles doit être rechargé.

Fig. B



REMARQUE : le témoin de charge ne fait qu'indiquer le niveau de charge du bloc-piles. Il ne donne aucune indication quant au fonctionnement de l'outil. Son propre fonctionnement pourra aussi varier en fonction des composants produit, de la température et de l'application d'utilisation.

Pour plus d'informations quant au témoin de charge du bloc-piles, veuillez appeler le 1-800-4-DEWALT (1-800-433-9258) ou vous rendre sur notre site www.dewalt.com.

Le sceau SRPRC®

Le sceau SRPRC® (Société de recyclage des piles rechargeables du Canada) apposé sur une pile au nickel-cadmium, à hydrure métallique de nickel ou au lithium-ion (ou un bloc-piles) indique que les coûts de recyclage de ces derniers en fin d'utilisation ont déjà été réglés par DEWALT. Dans certaines régions, la mise au rebut ou aux ordures municipales des piles au nickel-cadmium, à l'hydrure métallique de nickel ou au lithium-ion, est illégale ; le programme de l'Appel à Recycler® constitue donc une solution pratique et écologique.

Appel à Recycler Canada, Inc., en collaboration avec DEWALT et d'autres utilisateurs de piles, a mis sur pied de programme aux États-Unis et au Canada pour faciliter la



collecte des piles au nickel-cadmium, à l'hydrure métallique de nickel ou au lithium-ion usagées. Aidez-nous à protéger l'environnement et à conserver nos ressources naturelles en renvoyant les piles au nickel-cadmium, à l'hydrure métallique de nickel ou au lithium-ion usagées à un centre de réparation autorisé DEWALT ou chez votre détaillant afin qu'elles y soient recyclées. On peut en outre se renseigner auprès d'un centre de recyclage local pour connaître d'autres sites les acceptant.

SRPRC® est une marque déposée de l'Appel à Recycler Canada, Inc.

Directives de sécurité importantes propres à tous les chargeurs de piles



AVERTISSEMENT : lire toutes les instructions et toutes les consignes de sécurité propres au bloc-piles, au chargeur et à l'outil électrique. Tout manquement aux avertissements et instructions pose des risques de décharges électriques, d'incendie et/ou de blessures graves.

- **NE PAS tenter de charger de bloc-piles avec des chargeurs autres que ceux décrits dans ce manuel.** Le chargeur et son bloc-piles ont été conçus tout spécialement pour fonctionner ensemble.
- **Ces chargeurs n'ont pas été conçus pour une utilisation autre que recharger les blocs-piles rechargeables DEWALT.** Toute autre utilisation comporte des risques d'incendie, de chocs électriques ou d'électrocution.
- **Protéger le chargeur de la pluie ou de la neige.**
- **Tirer sur la fiche plutôt que sur le cordon pour débrancher le chargeur.** Cela permet de réduire les risques d'endommager la fiche ou le cordon d'alimentation.
- **S'assurer que le cordon est protégé de manière à ce que personne ne marche ni ne trébuche dessus, ou à ce qu'il ne soit ni endommagé ni soumis à aucune tension.**
- **N'utiliser une rallonge qu'en cas de nécessité absolue.** L'utilisation d'une rallonge inadéquate comporte des risques d'incendie, de chocs électriques ou d'électrocution.
- **Pour utiliser un chargeur à l'extérieur, le placer dans un endroit sec et utiliser une rallonge conçue pour l'extérieur.** L'utilisation d'une rallonge conçue pour l'extérieur réduit les risques de chocs électriques.
- **Pour la sécurité de l'utilisateur, utiliser une rallonge de calibre adéquat (AWG, American Wire Gauge [calibrage américain normalisé des fils électriques]).** Plus le calibre est petit, et plus sa capacité est grande. Un calibre 16, par exemple, a une capacité supérieure à un calibre 18. L'usage d'une rallonge de calibre insuffisant causera une chute de tension qui entraînera perte de puissance et surchauffe. Si plus d'une rallonge est utilisée pour obtenir une certaine longueur, s'assurer que chaque rallonge présente au moins le calibre de fil minimum. Le tableau ci-dessous illustre les calibres à utiliser selon la longueur de rallonge et l'intensité nominale indiquée sur

FRANÇAIS

la plaque signalétique. En cas de doute, utiliser le calibre suivant. Plus le calibre est petit, plus la rallonge peut supporter de courant.

Calibre minimum pour les cordons d'alimentation

Volts		Longueur totale du cordon d'alimentation en mètre (pieds)			
120 V		7,6 (25)	15,2 (50)	30,5 (100)	45,7 (150)
240 V		15,2 (50)	30,5 (100)	61,0 (200)	91,4 (300)
Ampères		AWG			
Plus que	Pas plus que				
0	6	18	16	16	14
6	10	18	16	14	12
10	12	16	16	14	12
12	16	14	12	Non recommandé	

- **Ne poser aucun objet sur le chargeur. Ne pas mettre le chargeur sur une surface molle qui pourrait en bloquer la ventilation et provoquer une surchauffe interne.** Éloigner le chargeur de toute source de chaleur. Le chargeur dispose d'orifices d'aération sur le dessus et le dessous du boîtier.
- **Ne pas le faire fonctionner avec un cordon d'alimentation ou une fiche endommagée.**
- **Ne pas utiliser le chargeur s'il a reçu un coup, fait une chute ou a été endommagé de quelque façon que ce soit.** Le ramener dans un centre de réparation agréé.
- **Ne pas démonter le chargeur. Pour tout service ou réparation, le rapporter dans un centre de réparation agréé.** Le fait de le réassembler de façon incorrecte comporte des risques de chocs électriques, d'électrocution et d'incendie.
- **Débrancher le chargeur du secteur avant tout entretien. Cela réduira tout risque de chocs électriques.** Le fait de retirer le bloc-piles ne réduira pas ces risques.
- **NE JAMAIS tenter de connecter 2 chargeurs ensemble.**
- **Le chargeur a été conçu pour être alimenté en courant électrique domestique standard de 120 volts. Ne pas tenter de l'utiliser avec toute autre tension.** Cela ne s'applique pas aux chargeurs de postes mobiles.

⚠ AVERTISSEMENT : risques de chocs électriques. Ne laisser aucun liquide pénétrer dans le chargeur, des chocs électriques pourraient en résulter.

⚠ AVERTISSEMENT : risques de brûlure. Ne submerger le bloc-piles dans aucun liquide et le protéger de toute infiltration de liquide. Ne jamais tenter d'ouvrir le bloc-piles pour quelque raison que ce soit. Si le boîtier plastique du bloc-piles est brisé ou fissuré, le retourner dans un centre de réparation pour y être recyclé.

⚠ ATTENTION : risques de brûlure. Pour réduire tout risque de dommages corporels, ne recharger que des blocs-piles rechargeables DEWALT. Tout autre type de piles pourrait exploser et causer des dommages corporels et matériels.

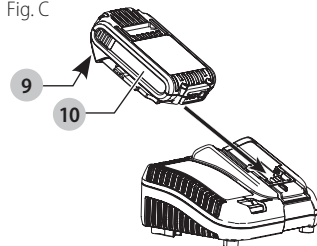
AVIS : sous certaines conditions, lorsque le chargeur est connecté au bloc d'alimentation, des matériaux

étrangers pourraient court-circuiter le chargeur. Les corps étrangers conducteurs tels que (mais pas limité à) poussières de rectification, débris métalliques, laine d'acier, feuilles d'aluminium, ou toute accumulation de particules métalliques doivent être maintenus à distance des orifices du chargeur. Débrancher systématiquement le chargeur lorsque le bloc-piles n'y est pas inséré. Débrancher systématiquement le chargeur avant tout entretien.

Chargement du bloc-piles (Fig. C)

1. Branchez le chargeur dans la prise appropriée avant d'y insérer le bloc-piles.

Fig. C



2. Insérer le bloc-piles **10** dans le chargeur, en vous assurant qu'il y est correctement calé. Le voyant rouge (charge) clignotera de façon continue indiquant que le cycle de chargement a commencé.
3. En fin de charge, le voyant rouge restera ALLUMÉ de façon continue. Le bloc-piles est alors complètement rechargé et peut être utilisé ou laissé dans le chargeur. Pour retirer le bloc-piles du chargeur, appuyez sur le bouton de libération du bloc-piles **9** sur le bloc-piles.

REMARQUE : pour assurer des performances optimales et une durée de vie maximale des blocs-piles au lithium-ion, recharger pleinement le bloc-piles avant toute utilisation initiale.

Utilisation du chargeur

Reportez-vous aux indications du tableau ci-dessous pour consulter le statut de charge du bloc-piles.

DCB101	
	Bloc-piles en Cours de Chargement — — — — —
	Bloc-piles Chargé —————
	Suspension de Charge Contre le Chaud/Froid — ● — ● — ●
	Bloc-Pile ou Chargeur Défectueux ● ● ● ● ● ● ● ●
DCB107, DCB112, DCB113, DCB115, DCB118, DCB132	
	Bloc-piles en Cours de Chargement — — — — —
	Bloc-piles Chargé —————
	Suspension de Charge Contre le Chaud/Froid* — — — — — —————

*DCB107, DCB112, DCB113, DCB115, DCB118, DCB132: le voyant rouge ne cessera de clignoter, mais un voyant jaune restera allumé pendant cette opération. Lorsque

le bloc-piles aura repris une température appropriée, le voyant jaune s'éteindra et le chargeur reprendra sa procédure de charge.

Le chargeur ne pourront recharger des blocs-piles défectueux. Le chargeur indiquera qu'un bloc-piles est défectueux en refusant de s'allumer.

REMARQUE : cela pourra aussi indiquer un problème avec le chargeur.

Si le problème provient du chargeur, faites vérifier le chargeur et le bloc-piles chez un centre de réparation agréé.

Fonction de suspension de charge contre le chaud/ froid

Lorsque le chargeur détecte un bloc-piles trop chaud ou trop froid, il démarre automatiquement la fonction de suspension de charge contre le chaud, suspendant le chargement jusqu'à ce que le bloc-piles ait repris une température appropriée. Le chargeur ensuite se remettra automatiquement en mode de chargement. Cette caractéristique assure aux blocs-piles une durée de vie maximale.

Un bloc-piles froid se rechargera moins vite qu'un bloc-piles chaud. Le bloc-piles se rechargera à ce rythme plus lent tout au cours du cycle de charge et ne retournera pas à sa vitesse maximale de charge même s'il venait à se réchauffer.

Le chargeur DCB118 est équipé d'un ventilateur interne destiné à refroidir le bloc-piles. Le ventilateur se mettra automatiquement en marche chaque fois que le bloc-piles aura besoin de se refroidir.

N'utilisez jamais le chargeur si le ventilateur ne fonctionne pas correctement ou si ses fentes d'aération sont bloquées. Protégez systématiquement l'intérieur du chargeur de tout objet étranger.

Système de protection électronique

Les appareils au Li-Ion sont équipés d'un système électronique de protection pour protéger les blocs-piles de toute surcharge, surchauffe ou fuite importante.

L'appareil s'arrêtera automatiquement dès que le système électronique de protection sera activé. Si c'était le cas, placez le bloc-piles au lithium-ion sur son chargeur jusqu'à ce qu'il soit complètement rechargé.

Installation murale

DCB107, DCB112, DCB113, DCB115, DCB118, DCB132

Ces chargeurs ont été conçus pour une installation murale ou pour être posés sur une table ou une surface de travail. Pour une fixation murale, installez le chargeur à proximité d'une prise électrique, et à l'écart de coins ou de toute autre obstruction au passage de l'air. Utilisez l'arrière du chargeur pour marquer l'emplacement des vis de montage sur le mur. Fixez soigneusement le chargeur à l'aide de vis autoforeuses (vendues séparément) d'au moins 25,4 mm (1 po) de long, et de diamètre de tête de 7-9 mm (0,28-0,35 po), que vous visserez dans le bois en laissant une longueur optimale d'environ 5,5 mm (7/32 po) exposée. Alignez les orifices à l'arrière du chargeur sur les vis exposées et insérez à fond ces dernières dans les orifices.

Instructions d'entretien du chargeur



AVERTISSEMENT : risques de chocs électriques.

Débrancher le chargeur de la prise de courant alternatif avant tout entretien. Éliminer toute saleté ou graisse de la surface externe du chargeur à l'aide d'un chiffon ou d'une brosse non métallique douce. N'utiliser ni eau ni aucun nettoyeur liquide.

Remarques importantes concernant le chargement

1. Pour augmenter la durée de vie du bloc-piles et optimiser son rendement, le recharger à une température ambiante de 18 ° à 24 °C (65 °F à 75 °F). NE PAS recharger lorsque la bloc-piles est en dessous + 4,5 °C (+ 40 °F) ou supérieure à + 40 °C (+ 104 °F). C'est important pour prévenir tout dommage sérieux au bloc-piles.
2. Le chargeur et son bloc-piles peuvent devenir chauds au toucher pendant la charge. C'est normal et ne représente en aucun cas une défaillance du produit. Pour faciliter le refroidissement du bloc-piles après utilisation, éviter de laisser le chargeur ou le bloc-piles dans un local où la température ambiante est élevée comme dans un hangar métallique ou une remorque non isolée.
3. Si le bloc-piles ne se recharge pas correctement :
 - a. Vérifier le bon fonctionnement de la prise en y branchant une lampe ou tout autre appareil électrique.
 - b. Vérifier que la prise n'est pas contrôlée par un interrupteur qui coupe le courant lorsqu'on éteint les lumières.
 - c. Déplacer le chargeur et le bloc-piles dans un local où la température ambiante se trouve entre environ 18 ° et 24 °C (65 °F et 75 °F).
 - d. Si le problème persiste, amener l'outil, le bloc-piles et son chargeur dans un centre de réparation local.
4. Recharger le bloc-piles lorsqu'il ne produit plus assez de puissance pour effectuer un travail qu'il faisait facilement auparavant. NE PAS CONTINUER à l'utiliser dans ces conditions. Suivre la procédure de charge. Si nécessaire, il est aussi possible de recharger un bloc-piles partiellement déchargé sans effet nuisible sur le bloc-piles.
5. Les corps étrangers conducteurs tels que (mais pas limité à) poussières de rectification, débris métalliques, laine d'acier, feuilles d'aluminium, ou toute accumulation de particules métalliques doivent être maintenus à distance des orifices du chargeur. Débrancher systématiquement le chargeur lorsque le bloc-piles n'y est pas inséré. Débrancher systématiquement le chargeur avant tout entretien.
6. Ne pas congeler ou immerger le chargeur dans l'eau ou tout autre liquide.

Recommandations de stockage

1. Le lieu idéal de rangement est un lieu frais et sec, à l'abri de toute lumière solaire directe et de toute température excessive.

FRANÇAIS

2. Pour un stockage prolongé, il est recommandé d'entreposer le bloc-piles pleinement chargé dans un lieu frais et sec, hors du chargeur pour optimiser les résultats.

REMARQUE : les blocs-piles ne devraient pas être entreposés complètement déchargés. Il sera nécessaire de recharger le bloc-piles avant réutilisation.

CONSERVER CES CONSIGNES POUR UTILISATION ULTÉRIEURE

DESCRIPTION (FIG. A)

! **AVERTISSEMENT :** ne jamais modifier l'outil électrique ni aucun de ses composants, car il y a risques de dommages corporels ou matériels.

Reportez-vous en Figure A au début de ce manuel pour obtenir la liste complète des composants.

Usage prévu

Votre agrafeuse de câble est conçue pour être utilisée **SEULEMENT** pour l'enfoncement d'agrafes dans le bois.

NE PAS les utiliser en milieu ambiant humide ou en présence de liquides ou de gaz inflammables.

Utilisez **SEULEMENT** des agrafes DEWALT répondant aux exigences du code du bâtiment.

Cet outil a été conçu pour les professionnels de la construction.

NE PAS le laisser à la portée des enfants. Une supervision est nécessaire auprès de tout utilisateur non expérimenté.

FICHE TECHNIQUE DE L'OUTIL

Mode de tir	Séquentiel
Tension	20 V
Hauteur	190,5 mm (7,5 po)
Largeur	73 mm (2,875 po)
Longueur	304,8 mm (12 po)
Poids	2,15 kg (4,75 lb) sans pile 2,54 kg (5,6 lb) avec la pile DCB203
Angle du chargeur	0° droit
Capacité du chargeur	Jusqu'à 35 agrafes
Verrouillage de tir à vide	Oui
DEL	Oui

CARACTÉRISTIQUES DE L'AGRAFEUSE

Type d'agrafeuse	Agrafe de câble isolé DRS18100
Longueur de l'agrafeuse	25,3 mm (1 po)
Couronne de l'agrafeuse	19,7 mm (3/4 po)
Isolant de l'agrafeuse	Longueur 21,6 mm (0,85 po) x largeur 4 mm (0,16 po)

Mécanisme de prévention des déclenchements à vide

Votre agrafeuse est munie d'un verrouillage de tir à vide qui empêche l'outil de s'activer lorsque le magasin est vide. Une fois que la dernière agrafe est tirée, l'outil cesse de fonctionner. Consultez **Chargement de l'outil** pour recharger un bâton d'agrafes regroupées.

ASSEMBLAGE ET AJUSTEMENTS

! **AVERTISSEMENT :** afin de réduire le risque de blessure corporelle grave, éteignez l'outil et retirez le bloc-piles avant de charger des agrafes, d'effectuer tout ajustement ou de retirer/installer des pièces ou des accessoires. Un déclenchement accidentel peut causer des blessures.

! **AVERTISSEMENT :** retirez les agrafes du magasin avant de faire tout ajustement ou entretien de cet outil. Ne pas le faire peut entraîner une blessure grave.

! **ATTENTION :** après utilisation, ranger l'outil sur son côté, sur une surface stable, là où il ne pourra ni faire trébucher ni faire chuter quelqu'un. Certains outils équipés d'un large bloc-piles peuvent tenir à la verticale sur celui-ci, mais manquent alors de stabilité.

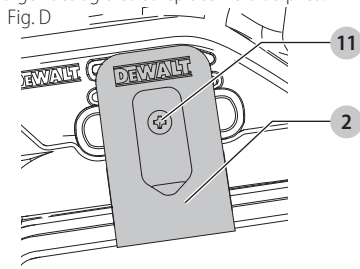
Crochet polyvalent (Fig. D)

L'agrafeuse sans fil DEWALT **2** inclut un crochet utilitaire peut être installée d'un côté ou de l'autre de l'outil pour accommoder les utilisateurs droitiers ou gauchers.

Si l'utilisation d'un crochet n'est absolument pas désirée, il peut être retiré de l'outil.

Pour installer le crochet utilitaire

1. Retirez les agrafes et le bloc-piles de l'outil.
2. À l'aide seulement de la vis fournie **11**, le crochet utilitaire **2** peut être installé de chaque côté de l'outil. Pour changer de l'utilisation de l'outil à droit ou à gauche, retirez simplement la vis et installez le crochet utilitaire du côté opposé.
3. Chargez des agrafes et remplacez le bloc-piles.



UTILISATION

! **AVERTISSEMENT :** afin de réduire le risque de blessure corporelle grave, éteignez l'outil et retirez le bloc-piles avant de charger des agrafes, d'effectuer tout ajustement ou de retirer/installer des pièces ou des accessoires. Un déclenchement accidentel peut causer des blessures.

AVERTISSEMENT : lisez la section intitulée **Avertissements de sécurité concernant l'agrafeuse**. Portez toujours une protection auditive et oculaire lorsque vous utilisez cet outil. Ne pas diriger l'agrafeuse vers vous ou d'autres personnes. Pour une utilisation sécuritaire, effectuez les procédures et vérifications suivantes et l'agrafeuse avant chaque utilisation.

AVERTISSEMENT : afin de réduire le risque de blessure corporelle, déconnectez le bloc-piles de l'outil avant d'effectuer un entretien, lorsque vous retirez des fixations coincées, enlevez des fixations coincées, laissez l'aire de travail, déplacez l'outil dans un autre endroit ou donnez l'outil à une autre personne.

AVERTISSEMENT : **NE JAMAIS** utiliser un outil ayant un indicateur du câble retenu en position élevée.

AVERTISSEMENT : **NE JAMAIS** utiliser un outil ayant des pièces endommagées.

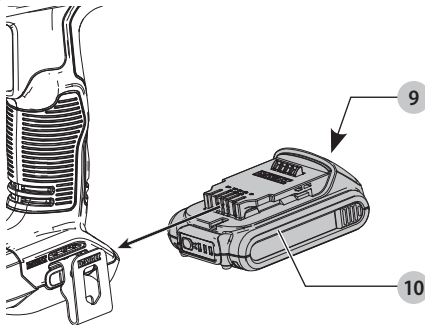
Installation et retrait du bloc-piles (Fig. E)

REMARQUE : pour des résultats optimaux, s'assurer que le bloc-piles est complètement chargé.

Pour installer le bloc-piles **10** dans la poignée de l'outil, alignez le bloc-piles sur les rails dans la poignée de l'outil et faites-le glisser fermement en place puis vérifiez qu'il ne s'en détachera pas.

Pour retirer le bloc-piles de l'outil, poussez sur le bouton de libération **9** et tirez fermement le bloc-piles hors de la poignée de l'outil. Insérez-le dans son chargeur comme décrit dans la section appropriée de ce manuel.

Fig. E



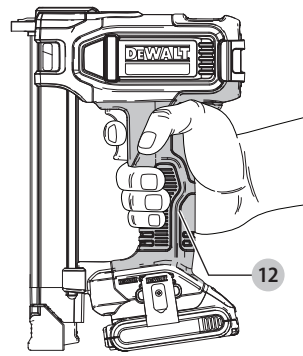
Position correcte des mains (Fig. F)

AVERTISSEMENT : pour réduire tout risque de dommages corporels graves, adopter **SYSTÉMATIQUEMENT** la position des mains illustrée.

AVERTISSEMENT : pour réduire tout risque de dommages corporels graves, maintenir **SYSTÉMATIQUEMENT** l'outil fermement pour anticiper toute réaction soudaine.

La position correcte des mains requiert une main sur la poignée principale **12** comme illustré en Fig. F.

Fig. F



Préparation de l'outil (Fig. A)

AVIS : **NE JAMAIS** pulvériser ou appliquer un lubrifiant ou des solvants pour le nettoyage, d'une façon ou d'une autre, à l'intérieur de l'outil. Cette pratique peut nuire sérieusement à la durée de vie et au rendement de l'outil.



REMARQUE : le bloc-piles n'est pas totalement chargé d'usine. Suivre les instructions indiquées (se reporter à la section **Chargement du bloc-piles**).

1. Lisez la section **Avertissements de sécurité concernant l'agrafeuse** de ce guide.
2. Porter une protection oculaire et auditive.
3. Retirer le bloc-piles **10** de l'outil.
4. S'assurer que le chargeur **6** a été vidé de toutes ses attaches.
5. Vérifiez le bon fonctionnement du guide d'alignement du câble **3**, de l'indicateur du câble **4** et de l'assemblage du poussoir **8**. Ne pas utiliser si endommagé ou ne fonctionne pas bien. **NE JAMAIS** utiliser un outil ayant un indicateur du câble retenu en position activée.
6. Maintenir l'outil pointé dans la direction opposée à soi-même et à tout individu présent.

AVIS : ne pas entreposer l'outil avec le bloc-piles installé. Afin de prévenir les dommages au bloc-piles et pour assurer une durée de vie de la pile, entreposez les blocs-piles hors de l'outil ou du chargeur dans un endroit frais et sec.

Chargement de l'outil (Fig. G)

AVERTISSEMENT : maintenir l'outil pointé dans la direction opposée à vous-même et à tout individu présent.

AVERTISSEMENT : ne jamais charger des agrafes pendant que l'indicateur du câble ou la gâchette est activé.

AVERTISSEMENT : retirez toujours le bloc-piles avant de charger ou décharger des agrafes.

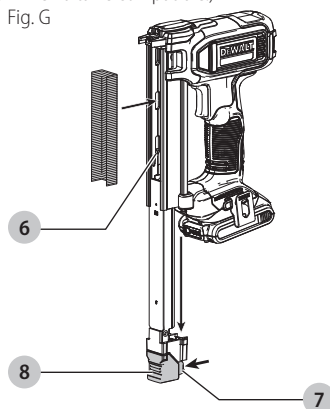
FRANÇAIS

ATTENTION : pour prévenir tout risque de dommages corporels, maintenir les doigts à l'écart du rail du verrou à glissière.

AVERTISSEMENT : *utilisez seulement des agrafes DEWALT dans cet outil.* Les autres agrafes peuvent endommager l'isolation des câbles. Cela peut causer un choc électrique, un incendie et/ou une blessure grave.

1. Appuyez sur le bouton de libération du magasin **7** et glissez la base et le poussoir du magasin **8** jusqu'au bout.
2. Déposez les bandes d'agrafes dans la fente de chargement du magasin **6** en vous assurant que les têtes des agrafes s'alignent bien avec l'ouverture de la fente. (Consultez **Caractéristiques de l'agrafeuse** pour déterminer la taille compatible.)

Fig. G



3. Gardez les doigts à l'écart de la coulisse, fermez le magasin en relâchant le verrou du poussoir. Laissez soigneusement le verrou glisser vers l'avant et insérez la bande d'agrafes.

REMARQUE : Ne pas frapper l'assemblage de la base du magasin dans le magasin, cela pourrait endommager les agrafes.

Décharger l'outil

AVERTISSEMENT : retirez toujours le bloc-piles avant de charger ou décharger des agrafes.

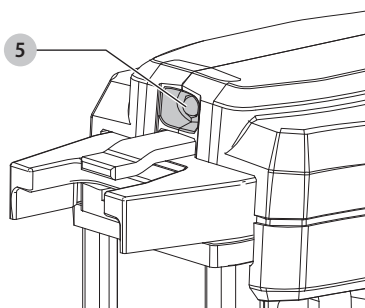
1. Appuyez sur le bouton de libération du magasin **7** et glissez la base et le poussoir du magasin **8** jusqu'au bout.
2. Inclinez l'outil le côté droit vers le haut jusqu'à ce que la bande d'agrafes tombe librement hors du magasin.
3. Fermez le magasin en glissant entièrement la base du magasin dans le magasin jusqu'à ce qu'il se verrouille. Ne pas frapper l'assemblage de la base du magasin dans le magasin.

Lumière/Lampe de travail DEL (Fig. H)

Il y a une lumière/lampe de travail DEL **5** située à l'avant de l'outil. La lumière s'allume lors de l'insertion du bloc-piles, de l'activation de la gâchette ou en appuyant sur l'indicateur du câble. La lumière s'éteindra automatiquement après 20 secondes à moins que vous continuiez à utiliser l'outil.

REMARQUE : La lumière est pour éclairer la surface de travail immédiate et n'est pas conçue pour être utilisée comme une lampe de poche.

Fig. H



VOYANT DE PILE FAIBLE : La lumière clignotera quatre fois consécutives, puis s'éteindra pour indiquer que la pile est faible.

Activer l'outil (Fig. I, J)

AVERTISSEMENT : coupez toujours le courant avant de tenter d'agrafer des câbles. Ne pas agraffer des câbles « sous tension ».

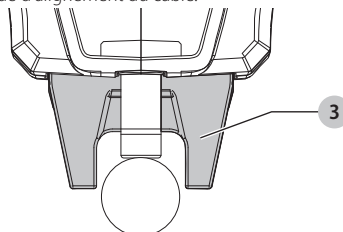
AVERTISSEMENT : tenez toujours pour acquies que l'outil contient des agrafes. Une manipulation imprudente de l'agrafeuse peut entraîner un tir inattendu d'agrafes et une blessure corporelle. Ne pas pointer l'outil vers vous ou toute personne à proximité. Un déclenchement inattendu pourrait décharger une agrafe causant une blessure. Pas de plaisanterie! Travaillez de façon sécuritaire! Respectez l'outil comme un instrument de travail.

AVERTISSEMENT : ne pas actionner l'outil à moins que l'outil soit fermement placé contre la pièce de travail. Si l'outil n'est pas en contact avec la pièce de travail, l'agrafe peut être déviée de votre cible.

Il n'est pas nécessaire d'ajuster la profondeur.

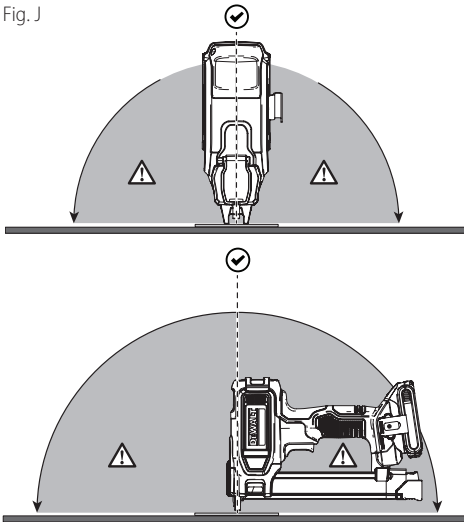
1. Chargez l'outil avec des agrafes.
2. Placez la pile dans l'outil.
3. Placez le guide d'alignement du câble **3** directement sur le câble ou le fil que vous souhaitez agraffer pour que le câble soit centré le plus possible entre les 2 broches du guide d'alignement du câble.

Fig. I



AVERTISSEMENT : les agrafes doivent être enfoncées droites dans le matériau. Ne pas incliner l'agrafeuse pendant que vous enfoncez les agrafes. Consultez la Figure J. Les valeurs de retenue des agrafes s'améliorent lorsque l'outil tire de façon perpendiculaire au matériau.

Fig. J




4. Poussez fermement l'outil contre le câble pour appuyer sur le guide d'alignement du câble 3 jusqu'au fond ainsi que l'indicateur du câble 4, la gâchette 1 et une agrafe sera tirée.
5. Vérifier si le câble est endommagé après chaque tir.

REMARQUE : Lorsque vous tirez dans certains matériaux comme le une poutre en LVL ou TJI, vous pourriez devoir appliquer de force supplémentaire vers la pièce de travail pour bien placer l'agrafe.

AVERTISSEMENT : soyez prudent lorsque vous placez l'agrafeuse sur le câble ou le fil afin d'empêcher l'agrafe de percer la gaine du câble ou l'isolation. Après avoir tiré chaque tir, inspectez visuellement l'agrafe enfoncée pour vous assurer que l'isolation n'est pas endommagée. Remplacez le câble s'il est endommagé.

Les agrafes de câble isolé DRS18100 sont approuvées UL^{MD} pour les combinaisons de câbles Romex^{MD}.

Combinaisons de câbles Romex ^{MD} approuvés (Câble gainé NM)			
Calibre du câble	Câble unique	Câble superposé double	
14-2	X	X	Toute combinaison : 14-2 ou 14-3 ou 12-2 ou 12-3 ou 10-2
14-3	X	X	
12-2	X	X	
12-3	X	X	
10-2	X	X	
10-3	X	X	

Retirer une agrafe bloquée (Fig. A)

AVERTISSEMENT : afin de réduire de blessure corporelle grave, déconnectez le bloc-piles de l'outil avant de faire tout ajustement, changement d'accessoires, entretien ou déplacement de l'outil. Ces

mesures de sécurité préventives réduisent le risque de tir accidentel de l'outil.

1. Retirez le bloc-piles 10 de l'outil.
2. Appuyez sur le bouton de libération du magasin 7 et glissez la base et le poussoir du magasin 8 jusqu'au bout.
3. Inclinez l'outil le côté droit vers le haut jusqu'à ce qu'une bande d'agrafes desserrée tombe librement hors du magasin. Toute agrafe bloquée peut alors être retirée.
4. Remplissez le magasin avec de nouvelles agrafes.

Utilisation par temps froids

Lorsqu'on utilise l'outil à des températures en dessous de zéro :

1. Maintenez l'outil au chaud autant que possible avant utilisation.
2. Activez l'outil quelques fois dans un morceau de bois sur un câble à jeter avant de l'utiliser.

Utilisation par temps chauds

L'outil devrait fonctionner normalement. Cependant, maintenez l'outil à l'abri de la lumière directe du soleil, car toute chaleur excessive pourra détériorer les pare-chocs et toute autre pièce en caoutchouc, ce qui augmenterait ses besoins de maintenance.

MAINTENANCE

AVERTISSEMENT : afin de réduire le risque de blessure corporelle grave, éteignez l'outil et retirez le bloc-piles avant de charger des agrafes, d'effectuer tout ajustement ou de retirer/installer des pièces ou des accessoires. Un déclenchement accidentel peut causer des blessures.

TABLEAU DE MAINTENANCE QUOTIDIENNE

ACTION	Nettoyer le chargeur, le poussoir et le mécanisme de déclenchement par contact.
POURQUOI	Permet un fonctionnement en souplesse du chargeur, réduit l'usure et prévient les coincements.
COMMENT LE FAIRE	Envoyer de l'air comprimé dans l'outil est le moyen le plus efficace de le nettoyer. L'utilisation périodique d'huiles, de lubrifiants ou de solvants n'est pas recommandée, car ils tendent à attirer des débris et/ou endommager les pièces en plastique de l'outil.
ACTION	Avant chaque utilisation, assurez-vous que toutes les vis et les agrafes sont serrées et non endommagées.
POURQUOI	Pour prévenir l'enrayage et la dégradation prématurée des pièces de l'outil.
COMMENT LE FAIRE	Resserrez les vis desserrées à l'aide de la clé hexagonale ou d'un tournevis approprié.

Nettoyage

AVERTISSEMENT : *enlever les saletés et la poussière hors des événements au moyen d'air comprimé propre et sec, au moins une fois par semaine. Pour minimiser le risque de blessure aux yeux, toujours porter une protection oculaire conforme à la norme ANSI Z87.1 lors du nettoyage.*

AVERTISSEMENT : NE JAMAIS *utiliser de solvants ni d'autres produits chimiques puissants pour nettoyer les pièces non métalliques de l'outil. Ces produits chimiques peuvent affaiblir les matériaux de plastique utilisés dans ces pièces. Utiliser un chiffon humecté uniquement d'eau et de savon doux. Ne jamais laisser de liquide pénétrer dans l'outil et n'immerger aucune partie de l'outil dans un liquide.*

Graissage

AVIS : NE JAMAIS *pulvériser ou appliquer un lubrifiant ou des solvants pour le nettoyage, d'une façon ou d'une autre, à l'intérieur de l'outil. Cette pratique peut nuire à la durée de vie et au rendement de l'outil.*



Les outils DEWALT sont correctement graissés en usine et sont prêts à l'emploi. Toutefois, il est conseillé de ramener ou d'envoyer l'outil, une fois par année, à un centre de réparation pour un nettoyage complet et une inspection approfondie.

Accessoires

AVERTISSEMENT : *puisque les accessoires autres que ceux offerts par DEWALT n'ont pas été testés avec ce produit, leur utilisation pourrait s'avérer dangereuse. Pour réduire le risque de blessures, utiliser exclusivement les accessoires DEWALT recommandés avec le présent produit.*

Les accessoires recommandés pour cet outil sont vendus séparément au centre de service de votre région. Pour obtenir de l'aide concernant l'achat d'un accessoire, communiquer avec DEWALT Industrial Tool Co., 701 East Joppa Road, Towson, MD 21286 aux États-Unis; composer le 1 800 433-9258 (1 800 4-DEWALT) ou visiter notre site Web : www.dewalt.com.

Réparations

Il n'y a aucune pièce réparable par l'utilisateur à l'intérieur de l'agrafeuse.

Le chargeur et le bloc-piles ne sont pas réparables.

AVERTISSEMENT : *pour assurer la SÉCURITÉ et la FIABILITÉ du produit, les réparations, l'entretien et les réglages doivent être réalisés (cela comprend l'inspection et le remplacement du balai) par un centre de réparation en usine DEWALT ou un centre de réparation agréé DEWALT. Toujours utiliser des pièces de rechange identiques.*

Registre en ligne

Merci pour votre achat. Enregistrez dès maintenant votre produit :

- **RÉPARATIONS SOUS GARANTIE :** cette carte remplie vous permettra de vous prévaloir du service de réparations sous garantie de façon plus efficace dans le cas d'un problème avec le produit.
- **CONFIRMATION DE PROPRIÉTÉ :** en cas de perte provoquée par un incendie, une inondation ou un vol, cette preuve de propriété vous servira de preuve auprès de votre compagnie d'assurances.
- **SÉCURITÉ :** l'enregistrement de votre produit nous permettra de communiquer avec vous dans l'éventualité peu probable de l'envoi d'un avis de sécurité régi par la loi fédérale américaine de la protection des consommateurs.

Registre en ligne à www.dewalt.com/register.

Garantie limitée de trois ans

DEWALT réparera, sans frais, tout produit défectueux causé par un défaut de matériel ou de fabrication pour une période de trois ans à compter de la date d'achat. La présente garantie ne couvre pas les pièces dont la défectuosité a été causée par une usure normale ou l'usage abusif de l'outil. Pour obtenir de plus amples renseignements sur les pièces ou les réparations couvertes par la présente garantie, visiter le site www.dewalt.com ou composer le 1 800 433-9258 (1 800 4-DEWALT). CETTE GARANTIE LIMITÉE REMPLACE TOUTE AUTRE GARANTIE, Y COMPRIS TOUTE GARANTIE IMPLICITE DE QUALITÉ MARCHANDE OU DE CONFORMITÉ À DES FINS PARTICULIÈRES, ET EXCLUT TOUT DOMMAGE ACCESSOIRE OU INDIRECT. Certains états n'autorisent aucune limitation quant à la durée d'une garantie implicite ni aucune exclusion ou limitation de garantie contre tout préjudice accessoire ou indirect, aussi il se peut que ces exclusions ne vous soient pas applicables. Cette garantie confère des droits légaux particuliers à l'acheteur, mais celui-ci pourrait aussi bénéficier d'autres droits variant d'un territoire à l'autre.

En plus de la présente garantie, les outils DEWALT sont couverts par notre :

CONTRAT D'ENTRETIEN GRATUIT D'UN AN

DEWALT entretiendra l'outil et remplacera les pièces usées au cours d'une utilisation normale et ce, gratuitement, pendant une période d'un an à compter de la date d'achat.

CONTRAT D'ENTRETIEN GRATUIT DE DEUX ANS SUR LES BLOC-PILES DEWALT

DC9071, DC9091, DC9096, DC9182, DC9280, DC9360, DCB120, DCB127, DCB201, DCB203BT, DCB207, DCB361

CONTRAT D'ENTRETIEN GRATUIT DE TROIS ANS SUR LES BLOC-PILES DEWALT

DCB200, DCB203, DCB204, DCB204BT, DCB205, DCB205BT, DCB206, DCB230, DCB606, DCB609, DCB612

REMARQUE : La garantie de se produit sera annulée si le bloc-piles a été altéré de quelque façon que ce soit. DEWALT ne peut être tenu responsable de tout dommage corporel

causé par l'altération du produit et pourra poursuivre toute fraude en matière de garantie dans toute l'étendue permise par la loi.

GARANTIE DE REMBOURSEMENT DE 90 JOURS

Si vous n'êtes pas entièrement satisfait de la performance de votre outil motorisé, à laser ou de votre agrafeuse DEWALT, vous pouvez le retourner en moins de 90 jours de la date d'achat avec une preuve d'achat pour un remboursement complet, sans aucune raison à fournir.

AMÉRIQUE LATINE : cette garantie ne s'applique aux produits vendus en Amérique latine. Pour ceux-ci, veuillez consulter les informations relatives à la garantie spécifique présente dans l'emballage, appeler l'entreprise locale ou consulter le site Web pour les informations relatives à cette garantie.

REPLACEMENT GRATUIT DES ÉTIQUETTES

D'AVERTISSEMENT : si les étiquettes d'avertissement deviennent illisibles ou sont manquantes, composer le 1 800 433-9258 (1 800 4-DEWALT) pour en obtenir le remplacement gratuit.

GUIDE DE DÉPANNAGE

De nombreux problèmes communs peuvent facilement être résolus à l'aide du tableau ci-dessous. Pour plus de problèmes graves ou persistants, contactez un centre de services DEWALT ou appelez au 1-(800)-4-DEWALT.



AVERTISSEMENT : afin de réduire de blessure corporelle grave, déconnectez TOUJOURS le bloc-piles de l'outil avant toutes les réparations.

SYMPTÔME	CAUSE	SOLUTION
L'outil ne tire pas	Verrouillage de tir à vide enclenché, empêchant l'indicateur du câble de se déplacer complètement.	Chargez plus d'agrafes dans le magasin.
	La pile est chaude.	Laissez refroidir la pile ou remplacez-la par un bloc-piles refroidi.
	L'outil est chaud.	Laissez l'outil se refroidir avant de poursuivre l'utilisation.
	Déclencheur par contact plié.	Consultez un centre de services autorisé.
	Les bornes sont sales ou endommagées.	Consultez un centre de services autorisé.
	Composants électroniques internes endommagés.	Consultez un centre de services autorisé.
	Gâchette endommagée.	Consultez un centre de services autorisé.
	Agrafe bloquée/lame d'entraînement non retournée à sa position initiale.	Retirez la pile, retirez l'agrafe bloquée, retirez le bloc-piles, la lame d'entraînement sera réinitialisée en utilisant l'outil normalement (le premier cycle ne tirera pas d'agrafe).
	Moteur endommagé.	Consultez un centre de services autorisé.
	Mécanisme interne bloqué.	Consultez un centre de services autorisé.
L'outil fonctionne, mais il n'enfoncé pas entièrement les fixations	Composants électroniques internes endommagés.	Consultez un centre de services autorisé.
	L'outil n'est pas solidement appliqué sur la pièce de travail.	Appliquez une force appropriée sur l'outil en le fixant solidement sur la pièce de travail. (Consultez Activer l'outil).
	Bout du moteur endommagé ou usé.	Consultez un centre de services autorisé.
L'outil fonctionne, mais aucune fixation n'est enfoncée	Mécanisme d'activation endommagé.	Consultez un centre de services autorisé.
	Mauvais formats ou mauvaises agrafes.	Utilisez seulement les agrafes recommandées. Consultez Caractéristiques de l'agrafeuse .
	Débris dans l'embout.	Nettoyez la zone de l'embout et observez bien les petites pièces d'agrafes brisées prises dans la coulisse.
	Débris dans le magasin.	Nettoyez le magasin.
	Ressort du poussoir endommagé.	Remplacez le ressort. Consultez un centre de services autorisé.
Agrafes bloquées	Magasin usé.	Remplacez le magasin. Consultez un centre de services autorisé.
	Mauvais formats ou mauvaises agrafes.	Utilisez seulement les agrafes recommandées. Consultez Caractéristiques de l'agrafeuse .
	Magasin non fixé après le retrait/l'inspection d'un blocage précédent.	Assurez-vous que le magasin est bien verrouillé.
	Longueur du matériau et des agrafes.	Si l'outil continue à bloquer, consultez un centre de services autorisé.
	Débris dans l'embout.	Nettoyez la zone de l'embout et observez bien les petites pièces d'agrafes brisées prises dans la coulisse.
	Magasin usé.	Remplacez le magasin. Consultez un centre de services autorisé.
	Ressort du poussoir endommagé.	Remplacez les ressorts. Consultez un centre de services autorisé.
	Moteur endommagé ou usé.	Remplacez le moteur par un ensemble.
Les agrafes ne conviennent pas	Assurez-vous d'utiliser des agrafes DEWALT.	Votre agrafeuse est seulement compatible avec les agrafes DEWALT.

Definiciones: Símbolos y palabras de alerta de seguridad

Este manual de instrucciones utiliza los siguientes símbolos y palabras de alerta de seguridad para alertarle de situaciones peligrosas y del riesgo de lesiones corporales o daños materiales.



PELIGRO: Indica una situación de peligro inminente que, si no se evita, provocará **la muerte o lesiones graves**.



ADVERTENCIA: Indica una situación de peligro potencial que, si no se evita, **podría provocar la muerte o lesiones graves**.



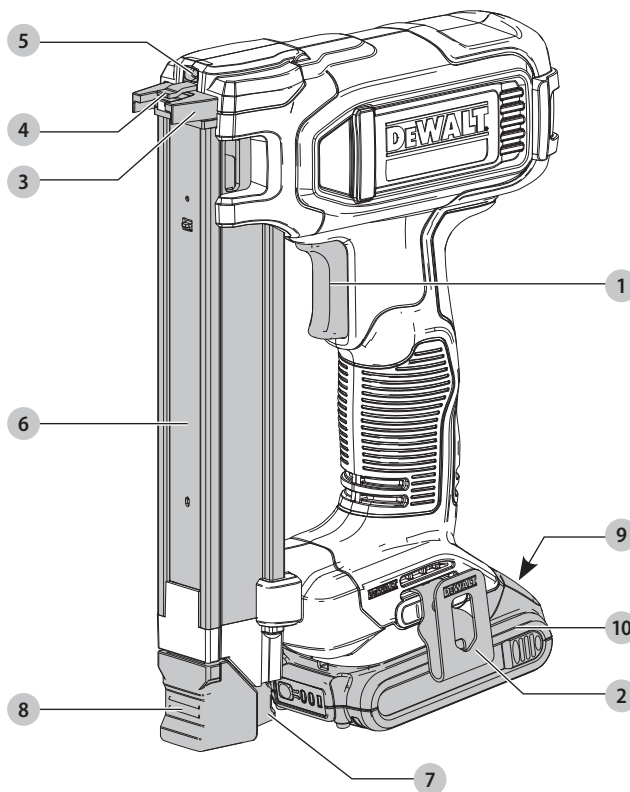
ATENCIÓN: Indica una situación de peligro potencial que, si no se evita, **posiblemente provocaría lesiones leves o moderadas**.



(Utilizado sin palabras) indica un mensaje de seguridad relacionado.

AVISO: Se refiere a una práctica **no relacionada a lesiones corporales** que de no evitarse **puede resultar en daños a la propiedad**.

Fig. A



- | | |
|-------------------------------|-----------------------------------|
| 1 Gatillo | 6 Cartucho |
| 2 Gancho utilitario | 7 Botón de liberación de cargador |
| 3 Guía de alineación de cable | 8 Palanca de empuje |
| 4 Indicador de cable | 9 Botón de liberación de batería |
| 5 Faro/Linterna LED | 10 Batería |




¡ADVERTENCIA! Lea todas las advertencias de seguridad e instrucciones. El incumplimiento de las advertencias e instrucciones puede provocar descargas eléctricas, incendios o lesiones graves.



ADVERTENCIA: Para reducir el riesgo de lesiones, lea el manual de instrucciones.

Si tiene alguna duda o algún comentario sobre ésta u otra herramienta DeWALT, llámenos al número gratuito: 1-800-4-DeWALT (1-800-433-9258).

ADVERTENCIAS GENERALES DE SEGURIDAD PARA HERRAMIENTAS ELÉCTRICAS

 **¡ADVERTENCIA!** Lea todas las advertencias de seguridad, instrucciones, ilustraciones y especificaciones incluidas con esta herramienta eléctrica. El incumplimiento de las advertencias e instrucciones puede provocar descargas eléctricas, incendios o lesiones graves.

CONSERVE TODAS LAS ADVERTENCIAS E INSTRUCCIONES PARA FUTURAS CONSULTAS

El término "herramienta eléctrica" incluido en las advertencias hace referencia a las herramientas eléctricas operadas con corriente (con cable eléctrico) o a las herramientas eléctricas operadas con baterías (inalámbricas).

1) Seguridad en el Área de Trabajo

- Mantenga el área de trabajo limpia y bien iluminada.** Las áreas abarrotadas y oscuras propician accidentes.
- No opere las herramientas eléctricas en atmósferas explosivas, como ambientes donde haya polvo, gases o líquidos inflamables.** Las herramientas eléctricas originan chispas que pueden encender el polvo o los vapores.
- Mantenga alejados a los niños y a los espectadores de la herramienta eléctrica en funcionamiento.** Las distracciones pueden provocar la pérdida de control.

2) Seguridad Eléctrica

- Los enchufes de la herramienta eléctrica deben adaptarse al tomacorriente. Nunca modifique el enchufe de ninguna manera. No utilice ningún enchufe adaptador con herramientas eléctricas con conexión a tierra.** Los enchufes no modificados y que se adaptan a los tomacorrientes reducirán el riesgo de descarga eléctrica.
- Evite el contacto corporal con superficies con descargas a tierra como, por ejemplo, tuberías, radiadores, cocinas eléctricas y refrigeradores.** Existe mayor riesgo de descarga eléctrica si su cuerpo está puesto a tierra.
- No exponga las herramientas eléctricas a la lluvia o a condiciones de humedad.** Si entra agua a una herramienta eléctrica, aumentará el riesgo de descarga eléctrica.
- No maltrate el cable. Nunca utilice el cable para transportar, tirar o desenchufar la herramienta eléctrica. Mantenga el cable alejado del calor, el aceite, los bordes filosos y las piezas móviles.** Los cables dañados o enredados aumentan el riesgo de descarga eléctrica.
- Al operar una herramienta eléctrica en el exterior, utilice un cable prolongador adecuado para tal uso.** Utilice un cable adecuado para uso en exteriores a fin de reducir el riesgo de descarga eléctrica.

- Si el uso de una herramienta eléctrica en un lugar húmedo es imposible de evitar, utilice un suministro protegido con un interruptor de circuito por falla a tierra (GFCI).** El uso de un GFCI reduce el riesgo de descargas eléctricas.

3) Seguridad Personal

- Permanezca alerta, controle lo que está haciendo y utilice el sentido común cuando opere una herramienta eléctrica. No utilice una herramienta eléctrica si está cansado o bajo el efecto de drogas, alcohol o medicamentos.** Un momento de descuido mientras se opera una herramienta eléctrica puede provocar lesiones personales graves.
- Utilice equipos de protección personal. Siempre utilice protección para los ojos.** En las condiciones adecuadas, el uso de equipos de protección, como máscaras para polvo, calzado de seguridad antideslizante, cascos o protección auditiva, reducirá las lesiones personales.
- Evite el encendido por accidente. Asegúrese de que el interruptor esté en la posición de apagado antes de conectarlo a la fuente de energía o paquete de baterías, o antes de levantar o transportar la herramienta.** Transportar herramientas eléctricas con el dedo apoyado en el interruptor o enchufar herramientas eléctricas con el interruptor en la posición de encendido puede propiciar accidentes.
- Retire la clavija de ajuste o la llave de tuercas antes de encender la herramienta eléctrica.** Una llave de tuercas o una clavija de ajuste que quede conectada a una pieza giratoria de la herramienta eléctrica puede provocar lesiones personales.
- No se estire. Conserve el equilibrio y párese adecuadamente en todo momento.** Esto permite un mejor control de la herramienta eléctrica en situaciones inesperadas.
- Use la vestimenta adecuada. No use ropas holgadas ni joyas. Mantenga el cabello, la ropa y los guantes alejados de las piezas en movimiento.** Las ropas holgadas, las joyas o el cabello largo pueden quedar atrapados en las piezas en movimiento.
- Si se suministran dispositivos para la conexión de accesorios con fines de recolección y extracción de polvo, asegúrese de que estén conectados y que se utilicen correctamente.** El uso de dispositivos de recolección de polvo puede reducir los peligros relacionados con el polvo.
- No permita que la familiaridad obtenida a partir del uso frecuente de herramientas le permitan volverse descuidado e ignorar los principios de seguridad de la herramienta.** Una acción descuidada puede causar lesiones severas en una fracción de segundo.

4) Uso y Mantenimiento de la Herramienta Eléctrica

- a) **No fuerce la herramienta eléctrica. Utilice la herramienta eléctrica correcta para el trabajo que realizará.** Si se la utiliza a la velocidad para la que fue diseñada, la herramienta eléctrica correcta permite trabajar mejor y de manera más segura.
- b) **No utilice la herramienta eléctrica si no puede encenderla o apagarla con el interruptor.** Toda herramienta eléctrica que no pueda ser controlada mediante el interruptor es peligrosa y debe repararse.
- c) **Desconecte el enchufe de la fuente de energía o el paquete de baterías de la herramienta eléctrica antes de realizar ajustes, cambiar accesorios o almacenar la herramienta eléctrica.** Estas medidas de seguridad preventivas reducen el riesgo de encender la herramienta eléctrica en forma accidental.
- d) **Guarde la herramienta eléctrica que no esté en uso fuera del alcance de los niños y no permita que otras personas no familiarizadas con ella o con estas instrucciones operen la herramienta.** Las herramientas eléctricas son peligrosas si son operadas por usuarios no capacitados.
- e) **Realice el mantenimiento de las herramientas eléctricas. Revise que no haya piezas en movimiento mal alineadas o trabadas, piezas rotas o cualquier otra situación que pueda afectar el funcionamiento de la herramienta eléctrica. Si encuentra daños, haga reparar la herramienta eléctrica antes de utilizarla.** Se producen muchos accidentes a causa de las herramientas eléctricas que carecen de un mantenimiento adecuado.
- f) **Mantenga las herramientas de corte afiladas y limpias.** Las herramientas de corte con mantenimiento adecuado y con los bordes de corte afilados son menos propensas a trabarse y son más fáciles de controlar.
- g) **Utilice la herramienta eléctrica, los accesorios y las brocas de la herramienta, etc. de acuerdo con estas instrucciones y teniendo en cuenta las condiciones de trabajo y el trabajo que debe realizarse.** El uso de la herramienta eléctrica para operaciones diferentes de aquéllas para las que fue diseñada podría originar una situación peligrosa.
- h) **Mantenga las manijas y superficies de sujeción secas, limpias y libres de aceite y grasa.** Las manijas y superficies de sujeción resbalosas no permiten el manejo y control seguros de la herramienta en situaciones inesperadas.

5) Uso y Mantenimiento de la Herramienta con Baterías

- a) **Recargue solamente con el cargador especificado por el fabricante.** Un cargador adecuado para un tipo de paquete de baterías puede

originar riesgo de incendio si se utiliza con otro paquete de baterías.

- b) **Utilice herramientas eléctricas sólo con paquetes de baterías específicamente diseñados.** El uso de cualquier otro paquete de baterías puede producir riesgo de incendio y lesiones.
- c) **Quando no utilice el paquete de baterías, manténgalo lejos de otros objetos metálicos como sujetapapeles, monedas, llaves, clavos, tornillos u otros objetos metálicos pequeños que puedan realizar una conexión desde un terminal al otro.** Los cortocircuitos en los terminales de la batería pueden provocar quemaduras o incendio.
- d) **En condiciones abusivas, el líquido puede ser expulsado de la batería. Evite su contacto. Si entra en contacto accidentalmente, enjuague con agua. Si el líquido entra en contacto con los ojos, busque atención médica.** El líquido expulsado de la batería puede provocar irritación o quemaduras.
- e) **No use un paquete de batería o herramienta que estén dañados o modificados.** Las baterías dañadas o modificadas pueden presentar un comportamiento impredecible que resulte en incendios, explosión o riesgo de lesiones."
- f) **No exponga un paquete de batería o una herramienta a fuego o temperatura excesiva.** La exposición a fuego o temperaturas mayores a 129 °C (265 °F) pueden causar una explosión."
- g) **Siga todas las instrucciones de carga y no cargue el paquete de batería o la herramienta fuera del rango de temperatura especificado en las instrucciones.** Cargar inadecuadamente o en una temperatura fuera del rango de temperatura especificado puede dañar la batería e incrementar el riesgo de incendio.

6) Mantenimiento

- a) **Solicite a una persona calificada en reparaciones que realice el mantenimiento de su herramienta eléctrica y que sólo utilice piezas de repuesto idénticas.** Esto garantizará la seguridad de la herramienta eléctrica.
- b) **Nunca dé servicio a paquetes de batería dañados.** El servicio de paquetes de batería sólo debe ser realizado por el fabricante o proveedores de servicio autorizados.

Advertencias de Seguridad de Engrapadora

- **Siempre suponga que la herramienta contiene sujetadores.** El manejo descuidado de la engrapadora puede provocar el disparo inesperado de sujetadores y lesiones personales.
- **No apunte la herramienta hacia usted ni a nadie cercano.** El disparo inesperado podría descargar un sujetador causando una lesión.
- **No active la herramienta a menos que se haya colocado firmemente contra la pieza de trabajo.** Si la

ESPAÑOL

herramienta no está en contacto con la pieza de trabajo, el sujetador se puede alejar del objetivo.

- **Desconecte la herramienta de la fuente de energía cuando el sujetador se atasque en la herramienta.** Mientras retira un sujetador atorado, la engrapadora se puede activar accidentalmente si está conectada.
- **Al sujetar los cables eléctricos, asegúrese que los cables no estén energizados. Sostenga la engrapadora sólo por las superficies de agarre aisladas. Utilice únicamente sujetadores diseñados para instalación de cables eléctricos. Revise que el sujetador no haya dañado el aislamiento de los cables eléctricos.** Un sujetador que dañe el aislamiento de los cables eléctricos puede provocar descargas eléctricas e incendios.

Advertencias de Seguridad Adicionales de Engrapadora



ADVERTENCIA: Al usar cualquier engrapadora, se deben seguir todas las precauciones de seguridad, como se describe a continuación, para evitar el riesgo de muerte o lesiones graves. Lea todas las instrucciones antes de operar la herramienta.

- **Siempre apague la energía al circuito antes de intentar engrapar los cables.** No engrape cables "vivos".
- **Utilice sólo grapas DeWALT para sujetar cables eléctricos.** Está diseñado para la instalación de cables eléctricos.
- **Nunca opere la herramienta con el cargador desconectado o separado de la herramienta.**
- **Mantenga las manos y partes del cuerpo alejadas del área de descarga de la herramienta.** Mientras esté en uso NUNCA sujete la herramienta por el cargador o depósito, una grapa insertada incorrectamente puede salir de la punta causando lesiones.
- **Sujete siempre la herramienta por las superficies de agarre aisladas al engrapar cables.** Suponga que están energizados aunque estén apagados. El contacto con un cable "vivo" hará que las partes de metal expuestas de la herramienta estén "vivas" y dará una descarga eléctrica al operador.
- **Siempre utilice la protección auditiva apropiada mientras usa la herramienta.** En ciertas circunstancias y según el período de uso, el ruido de este producto puede contribuir a la pérdida de audición.
- **Desconecte el paquete de baterías de la herramienta cuando no esté en uso.** Siempre retire la batería y retire las grapas del cargador antes de abandonar el área o pasar la herramienta a otro operador. No transporte la herramienta a otra área de trabajo en la que el cambio de ubicación implique el uso de andamios, escaleras marinas, escaleras y elementos similares, con el paquete de baterías conectado. No realice ajustes, realice tareas de mantenimiento ni retire las grapas atascadas mientras la batería esté en su lugar.
- **No extraiga, manipule ni haga que la herramienta o el gatillo se vuelvan inoperables.** No pegue con cinta

adhesiva o amarre el gatillo en la posición de encendido. No retire el resorte del indicador de cable. Realice inspecciones diarias respecto al movimiento libre del gatillo. Puede producirse una descarga incontrolada.

- **Revise la herramienta antes del uso. No opere una herramienta si alguna parte de la herramienta o el gatillo no se puede operar, está desconectado, alterado o no funciona correctamente.** Las partes dañadas o faltantes deben repararse o reemplazarse antes de su uso. Consulte Reparaciones.
- **No altere o modifique el enchufe de ninguna manera.**
- **Mantenga alejados a los transeúntes, niños y visitantes mientras opera una herramienta eléctrica.** Las distracciones pueden hacer que pierda el control. Cuando la herramienta no está en uso, debe asegurarse en un lugar seguro, fuera del alcance de los niños.
- **No se estire. Mantenga una base de apoyo y equilibrio adecuados en todo momento.** La pérdida de equilibrio puede causar lesiones personales.
- **Use la herramienta sólo para su uso previsto. No descargue las grapas al aire o cualquier material demasiado duro para que la grapa penetre. No use el cuerpo de la herramienta o la tapa superior como un martillo.** Las grapas descargadas pueden seguir un camino inesperado y causar lesiones.
- **Mantenga siempre los dedos alejados del indicador de cable para evitar lesiones por la liberación inadvertida de la grapa.**
- **Consulte las secciones Mantenimiento y Reparaciones respecto a información detallada sobre el mantenimiento adecuado de la herramienta.**
- **Siempre opere la herramienta en un área limpia e iluminada.** Asegúrese que la superficie de trabajo esté libre de escombros y tenga cuidado de no perder el equilibrio cuando trabaje en entornos elevados, tales como tejados.
- **Las grapas se deben colocar rectas dentro del material.** No incline la engrapadora mientras inserta las grapas. Puede resultar en lesiones personales a partir de grapas que rebotan o se atascan.
- **Mantenga las manos y las partes del cuerpo alejadas del área de trabajo inmediata.**



ADVERTENCIA: Para evitar lesiones mantenga las manos y el cuerpo alejados del área de descarga delantera de la herramienta.

- **No use la herramienta en presencia de polvo, gases o humos inflamables.** Esta herramienta produce chispas que pueden encender gases o polvo y causar una explosión. Colocar una grapa sobre otra grapa también puede provocar una chispa.
- **Mantenga la cara y las partes del cuerpo alejadas de la parte posterior de la tapa de la herramienta cuando trabaje en áreas restringidas.** El retroceso repentino puede provocar un impacto en el cuerpo, especialmente al engrapar en material duro o denso.

- **Sujete firmemente la herramienta para mantener el control mientras permite que la herramienta retroceda alejándose de la superficie de trabajo a medida que se mueve la grapa.**
- **Tenga en cuenta el grosor del material cuando use la engrapadora.** Una grapa sobresaliente puede causar lesiones.
- **Revise el cable después de cada disparo para asegurarse que el revestimiento del cable permanezca intacto.**
- **Permanezca alerta, concéntrese en lo que está haciendo y utilice el sentido común cuando emplee una herramienta eléctrica. No utilice la herramienta si está cansado o bajo el efecto de drogas, alcohol o medicamentos.** Un momento de descuido mientras se opera una herramienta eléctrica puede provocar lesiones personales graves.

Instrucción Adicional de Seguridad

⚠️ ADVERTENCIA: Use **SIEMPRE** lentes de seguridad. Los anteojos de diario **NO SON** lentes de seguridad. Utilice además una cubrebocas o mascarilla antipolvo si la operación de corte genera demasiado polvo. **SIEMPRE LLEVE EQUIPO DE SEGURIDAD CERTIFICADO:**

- protección ocular ANSI Z87.1 (CAN/CSA Z94.3),
- protección auditiva ANSI S12.6 (S3.19),
- protección respiratoria NIOSH/OSHA/MSHA.

⚠️ ADVERTENCIA: Algunas partículas de polvo generadas al lijar, serrar, esmerilar y taladrar con herramientas eléctricas, así como al realizar otras actividades de construcción, contienen químicos que el Estado de California sabe que pueden producir cáncer, defectos congénitos u otras afecciones reproductivas. Ejemplos de estos químicos son:

- plomo de algunas pinturas en base a plomo,
- polvo de sílice proveniente de ladrillos y cemento y otros productos de albañilería, y
- arsénico y cromo provenientes de madera tratada químicamente.

Su riesgo de exposición a estos químicos varía, dependiendo de la frecuencia con la cual realiza usted este tipo de trabajo. Para reducir su exposición a estas sustancias químicas: trabaje en una zona bien ventilada y llevando equipos de seguridad aprobados, como mascarillas antipolvo especialmente diseñadas para filtrar partículas microscópicas.

- **Evite el contacto prolongado con polvo generado por el lijado, aserrado, pulido, taladrado y otras actividades de construcción. Vista ropas protectoras y lave las áreas de la piel expuestas con agua y jabón.** Si permite que el polvo se introduzca en la boca u ojos o quede sobre la piel, puede favorecer la absorción de productos químicos peligrosos.

⚠️ ADVERTENCIA: La utilización de esta herramienta puede generar polvo o dispersarlo, lo que podría causar daños graves y permanentes al sistema respiratorio, así como otras lesiones. Siempre use protección respiratoria aprobada por NIOSH (Instituto Nacional de Seguridad y Salud en el Trabajo) u OSHA












(Administración de Seguridad y Salud en el Trabajo) apropiada para la exposición al polvo. Dirija las partículas en dirección contraria a la cara y el cuerpo.

⚠️ ADVERTENCIA: Siempre lleve la debida protección auditiva personal en conformidad con ANSI S12.6 (S3.19) durante el uso de esta herramienta. Bajo algunas condiciones y duraciones de uso, el ruido producido por este producto puede contribuir a la pérdida auditiva.

⚠️ ATENCIÓN: Cuando no esté en uso, guarde la herramienta apoyada en un costado sobre una superficie estable, donde no interrumpa el paso o provoque una caída. Algunas herramientas con paquetes de baterías de gran tamaño pueden colocarse paradas sobre el paquete de baterías, pero pueden caerse fácilmente.

- **Los orificios de ventilación suelen cubrir piezas en movimiento, por lo que también se deben evitar.** Las piezas en movimiento pueden atrapar prendas de vestir sueltas, joyas o el cabello largo.

La etiqueta de su herramienta puede incluir los siguientes símbolos. A continuación se indican los símbolos y sus definiciones:

V	voltios		or AC/DC ... corriente alterna o directa
Hz	hertz	 Construcción de Clase II (doble aislamiento)
min	minutos	n_0	velocidad sin carga
— — — or DC	direct current	n	velocidad nominal
	Construcción de Clase I (tierra)	 terminal de conexión a tierra
... /min	por minuto	 símbolo de advertencia de seguridad
BPM	golpes por minuto	 radiación visible
IPM	impactos por minuto	 protección respiratoria
RPM	revoluciones por minuto	 protección ocular
sfpm	pies de superficie por minuto	 protección auditiva
SPM	pasadas por minuto	 lea toda la documentación
A	amperios		
W	watios		
 or AC	corriente alterna		

BATERÍAS Y CARGADORES

La batería no viene completamente cargada de fábrica. Antes de utilizar la batería y el cargador, lea las siguientes instrucciones de seguridad y luego siga los procedimientos de carga indicados. Cuando pida baterías de repuesto, no olvide indicar el número de catálogo y el voltaje.

Su herramienta utiliza un cargador DeWALT. Lea todas las instrucciones de seguridad antes de usar el cargador. Consulte la tabla al final de este manual para información sobre compatibilidad entre cargadores y baterías.

LEA TODAS LAS INSTRUCCIONES

**Instrucciones de Seguridad Importantes
Para Todas las Unidades de Batería**

! **ADVERTENCIA:** Lea todas las advertencias de seguridad y todas las instrucciones para la batería, el cargador y la herramienta eléctrica. No seguir las advertencias y las instrucciones puede provocar una descarga eléctrica, un incendio y/o lesiones graves.

- **No cargue o use la unidad de batería en atmósferas explosivas, como en presencia de líquidos, gases o polvos inflamables.** Puede que al insertar o sacar la unidad de batería del cargador se inflamen el polvo o los gases.
- **NUNCA fuerce la unidad de batería para que entre en el cargador. NO modifique la unidad de batería en ninguna forma para que entre en un cargador no compatible, pues puede producir una ruptura en la unidad de batería y causar lesiones corporales graves.** Consulte la tabla al final de este manual para ver la compatibilidad entre baterías y cargadores.
- **Cargue las unidades de batería sólo en los cargadores designados por DEWALT.**
- **NO salpique con ni sumerja en agua u otros líquidos.**
- **No guarde ni use la herramienta y unidad de batería en lugares donde la temperatura pueda alcanzar o superar los 40 °C (104 °F), tales como cobertizos o construcciones de metal durante el verano.** Almacene las unidades de batería en lugares frescos y secos para maximizar su vida útil.
NOTA: No almacene las unidades de batería en la herramienta con el interruptor de gatillo en posición encendida fija. Nunca use cinta adhesiva para mantener el interruptor de gatillo en posición ENCENDIDA.
- **No incinere la unidad de batería, aunque esté completamente dañada o descargada. La unidad de batería puede explotar si se quema.** Cuando se queman unidades de batería de iones de litio, se producen gases y materiales tóxicos.
- **Si el contenido de la batería entra en contacto con la piel, lave el área de inmediato con agua y un jabón suave.** Si el líquido de la batería entra en contacto con sus ojos, enjuáguelos con agua y los ojos abiertos por 15 minutos o hasta que cese la irritación. Si se requiere de asistencia médica, el electrolito de la batería está compuesto por una mezcla de carbonatos orgánicos líquidos y sales de litio.
- **El contenido de los elementos abiertos de la batería puede causar irritación en el tracto respiratorio.** Salga al aire fresco. Si los síntomas persisten, busque asistencia médica.

! **ADVERTENCIA:** Peligro de quemaduras. El líquido de la batería puede ser inflamable si se expone a chispas o llamas.

! **ADVERTENCIA:** Peligro de incendio. Nunca intente abrir la unidad de batería por ningún motivo. Si la caja exterior de la unidad de batería se triza o daña, no la introduzca en el cargador. No triture, deje caer o dañe la unidad de batería. No use una unidad de batería o un cargador que haya sido golpeado, dejado caer, atropellado o dañado en cualquier forma (por ejemplo, perforado por un clavo, golpeado con un martillo, pisado). Lleve sus unidades de batería dañadas al centro de servicio para que sean recicladas.

Transporte

! **ADVERTENCIA:** Peligro de incendio. No guarde o transporte la batería de forma que los terminales expuestos de la misma puedan estar en contacto con objetos metálicos. Por ejemplo, no ponga la batería en delantales, bolsillos, cajas de herramientas, estuches de productos, cajones, etc., junto con clavos, tornillos, y llaves, etc. sueltos. **El transporte de baterías puede causar incendios si sus terminales inadvertidamente entran en contacto con materiales conductores como llaves, monedas, herramientas manuales y otros por el estilo.** El Reglamento sobre Materiales Peligrosos (HMR) del Departamento de Transporte de EE.UU. prohíbe transportar baterías comercialmente o en aviones en el equipaje de mano A MENOS que estén debidamente protegidas contra cortocircuitos. Por lo tanto, cuando transporte baterías individuales, asegúrese de que sus terminales estén protegidos y debidamente aislados de los materiales que pudieran entrar en contacto con ellos y provocar un cortocircuito.

NOTA: Las baterías de iones de litio no deben colocarse dentro del equipaje registrado.

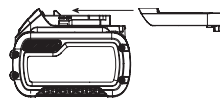
TRANSPORTE DE LA BATERÍA FLEXVOLT™ DE DEWALT

La batería FLEXVOLT™ de DEWALT tiene dos modalidades: **Uso y transporte.**

Modalidad de uso: Cuando la batería FLEXVOLT™ está independiente o está en un producto DEWALT de 20 V Máx* funcionará como una batería de 20 V Máx*. Cuando la batería FLEXVOLT™ está en un producto de 60 V Máx* o 120 V Máx* (dos baterías de 60 V Máx*), funcionará como una batería de 60V Máx*.

Modalidad de transporte:

Cuando la batería FLEXVOLT™ tiene puesta la tapa, la batería está en modalidad de transporte.



Cadenas de celdas están desconectadas eléctricamente dentro de la unidad de batería, lo que resulta en tres baterías con una capacidad nominal de vatios hora (Wh) inferior comparada con una batería con una capacidad nominal de vatios hora superior. Esta mayor cantidad de tres baterías con una capacidad nominal de vatios-hora menor puede hacer que la unidad de batería quede exenta de ciertos reglamentos de transporte que se imponen a las baterías con mayor capacidad nominal de vatios-hora.

La etiqueta en la batería indica dos capacidades nominales de vatios-hora (ver el ejemplo). Dependiendo de cómo se transporta la batería, debe usarse la capacidad nominal vatios-hora apropiada para determinar los requisitos de transporte aplicables. Si se utiliza la tapa de transporte, la unidad de batería será considerada tres baterías con la capacidad nominal de vatios-hora indicada para «Transporte». Si se transporta sin la tapa o en una herramienta, la unidad de batería será considerada una batería con la capacidad nominal de vatios-hora indicada al lado de «Uso».

Ejemplo de Marcado en Etiqueta de Uso y Transporte

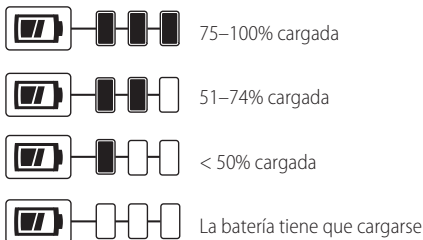
USE: 120 Wh Shipping: 3 x 40 Wh

Por ejemplo, la capacidad nominal de Wh de Transporte puede indicar 3 x 40 Wh, lo que significa 3 baterías de 40 vatios-hora cada una. La capacidad nominal de Wh de Uso puede indicar 120 Wh (se implica 1 batería).

Unidades de Batería con Indicador de Carga (Fig. B)

Algunas unidades de batería DEWALT incluyen un indicador de carga que consiste de tres luces LED verdes que indican el nivel de carga que queda en la unidad de batería.

El indicador de carga es una indicación de niveles aproximados de carga que quedan en la batería según los indicadores siguientes:



Para activar el indicador de carga, presione y sostenga el botón del indicador. Se iluminará una combinación de las tres luces LED verdes, que indicará el nivel de carga que queda. Cuando el nivel de carga está por debajo del nivel útil, el indicador no se iluminará, y la batería deberá recargarse.

Fig. B



NOTA: El indicador de carga es sólo eso: un indicador de la carga de la unidad de batería. No indica el nivel de funcionalidad de la herramienta y puede variar de acuerdo a las piezas del producto, la temperatura y la aplicación que el usuario le dé.

Para mayor información sobre unidades de batería con indicadores de carga, por favor llame al 1-800-4-DEWALT (1-800-433-9258) o visite nuestro sitio Web: www.dewalt.com.

El sello RBRC®

El sello RBRC® (Rechargeable Battery Recycling Corporation) en las baterías (unidades de batería) de níquel cadmio, níquel e hidruro metálico o de iones de litio indica que el costo de reciclaje de estas baterías (o unidades de batería) al llegar al final de su vida de servicio ya ha sido pagado por DEWALT. En algunas áreas, es ilegal depositar baterías de níquel cadmio, níquel e hidruro metálico o de iones de litio gastadas en la basura o la corriente de residuos sólidos urbanos; el programa Call 2 Recycle® proporciona una alternativa ecológica.



Call 2 Recycle, Inc., en cooperación con DEWALT y otros usuarios de baterías, han establecido programas en los Estados Unidos y Canadá para facilitar la recolección de baterías de níquel cadmio, níquel e hidruro metálico o de iones de litio gastadas. Al llevar sus baterías de níquel cadmio, níquel e hidruro metálico y de iones de litio gastadas a un centro de servicio autorizado por DEWALT o al minorista local para que sean recicladas, ayuda a proteger el medio ambiente y a conservar recursos naturales. También puede comunicarse con el centro de reciclaje de su localidad para mayor información sobre dónde llevar sus baterías gastadas.

RBRC® es una marca comercial registrada de Call 2 Recycle, Inc.

Instrucciones Importantes de Seguridad Para Todos los Cargadores de Baterías

⚠ ADVERTENCIA: Lea todas las advertencias de seguridad y todas las instrucciones para la batería, el cargador y la herramienta eléctrica. No seguir las advertencias y las instrucciones puede provocar una descarga eléctrica, un incendio y/o lesiones graves.

- **NO intente cargar la unidad de batería con otros cargadores que no sean los descritos en este manual.** El cargador y la unidad de batería fueron específicamente diseñados para trabajar en conjunto.
- **Estos cargadores no fueron diseñados para ser utilizados para más que cargar las baterías recargables DEWALT.** Cualquier otro uso puede producir riesgo de incendios, descargas eléctricas o electrocución.
- **No exponga el cargador a la lluvia o a la nieve.**
- **Tire del enchufe y no del cable cuando desconecte el cargador.** De esta forma se reduce el riesgo de daño al enchufe y cable.
- **Asegúrese de que el cable no sea ubicado de manera que podría ser pisado, causar que alguien tropiece con él o ser expuesto a otro tipo de daños y desgastes.**
- **No use un alargador a menos que sea absolutamente necesario.** El uso de un alargador incorrecto podría producir riesgo de incendios, descargas eléctricas o electrocución.
- **Cuando opere un cargador al exterior, hágalo siempre en un lugar seco y use un alargador**

apropiado para uso al exterior. El uso de un alargador apropiado para uso al exterior reduce el riesgo de descarga eléctrica.

- **Los hilos del alargador deben ser de un calibre apropiado (AWG o American Wire Gauge) para su seguridad.** Mientras menor sea el calibre del hilo, mayor la capacidad del cable. Es decir, un hilo calibre 16 tiene mayor capacidad que uno de 18. Un cable de un calibre insuficiente causará una caída en la tensión de la línea dando por resultado una pérdida de energía y sobrecalentamiento. Cuando se utilice más de un alargador para completar el largo total, asegúrese que los hilos de cada alargador tengan el calibre mínimo. La tabla siguiente muestra el tamaño correcto a utilizar, dependiendo de la longitud del cable y del amperaje nominal de la placa de identificación. Si tiene dudas sobre cuál calibre usar, use un calibre mayor. Cuanto menor sea el número del calibre, más resistente será el cable.

Calibre mínimo de conjuntos de cables

Voltios	Longitud total del cable en pies (metros)				
	120 V	25 (7,6)	50 (15,2)	100 (30,5)	150 (45,7)
240 V	50 (15,2)	100 (30,5)	200 (61,0)	300 (91,4)	
Amperaje nominal	AWG				
Más de	Más de				
0	6	18	16	16	14
6	10	18	16	14	12
10	12	16	16	14	12
12	16	14	12		No recomendado

- **No coloque ningún objeto encima del cargador ni coloque a este sobre una superficie blanda que pudiera bloquear las ranuras de ventilación y resultar en un calor interno excesivo.** Coloque el cargador en un lugar alejado de cualquier fuente de calor. El cargador se ventila a través de las ranuras que se encuentran en la parte superior e inferior de la caja protectora.
- **No opere el cargador si su cable o enchufe están dañados.**
- **No opere el cargador si ha recibido un golpe agudo, si se ha caído o si ha sido dañado de alguna otra forma.** Llévelo a un centro de servicio autorizado.
- **No desarme el cargador; llévelo a un centro de servicio autorizado cuando deba ser reparado.** Si es reensamblado incorrectamente, puede causar descargas eléctricas, electrocución o incendios.
- **Desenchufe el cargador antes de intentar limpiarlo. Esto reducirá el riesgo de descargas eléctricas.** El retirar el paquete de baterías no reducirá este riesgo.
- **NUNCA** intente conectar 2 cargadores entre sí.
- **El cargador está diseñado para operar con una corriente eléctrica estándar residencial de 120 V. No intente usarlo con ningún otro voltaje.** Esto no aplica al cargador vehicular.

⚠️ ADVERTENCIA: Peligro de descarga eléctrica. No permita que ningún líquido se introduzca en el cargador. Puede producir descargas eléctricas.

⚠️ ADVERTENCIA: Peligro de quemaduras. No sumerja la unidad de batería en líquido de ningún tipo ni permita que se introduzca ningún tipo de líquido a la unidad de batería. Nunca intente abrir la unidad de batería por ningún motivo. Si la caja plástica de la unidad de batería se triza o rompe, llévela a un centro de servicio para su reciclaje

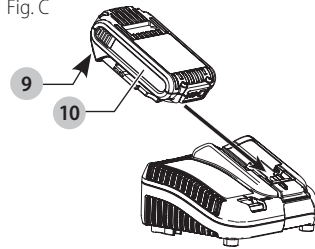
⚠️ ATENCIÓN: Peligro de quemaduras. Para reducir el riesgo de lesiones, sólo cargue unidades de batería recargables marca DEWALT. Otros tipos de batería podrían sobrecalentarse y reventar lo que podría resultar en lesiones corporales y daños a su propiedad.

AVISO: Bajo ciertas condiciones, cuando el cargador está enchufado a una toma de corriente, el cargador puede hacer cortocircuito si entra en contacto con algún material ajeno. Los materiales ajenos de naturaleza conductora, como el polvo de esmerilado, las placas de metal, la lana de acero, el papel de aluminio y otros, o cualquier acumulación de partículas metálicas deberían mantenerse alejados de las cavidades del cargador. Desenchufe siempre el cargador cuando no haya una unidad de batería en su cavidad. Desenchufe el cargador antes de intentar limpiarlo.

Carga de una Batería (Fig. C)

1. Enchufe el cargador en una toma de corriente apropiada antes de introducir la batería.

Fig. C





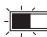







2. Inserte la batería **10** en el cargador, comprobando esté bien fija. La luz roja (de carga) parpadeará continuamente para indicar que se ha iniciado el proceso de carga.
3. La luz roja se quedará ENCENDIDA continuamente cuando se haya completado el proceso de carga. La batería estará entonces completamente cargada y podrá ser utilizada de inmediato o dejarse en el cargador. Para sacar la batería del cargador, presione el botón de liberación **9** de la batería.

NOTA: Para asegurar el máximo rendimiento y vida útil de las baterías de iones de litio, cargue la batería completamente antes de usarla por primera vez.

Funcionamiento del Cargador

Consulte los indicadores a continuación relativos al estado de carga de la batería.

DCB101	
 Unidad en Proceso de Carga	— — — —
 Unidad Cargada	—————
 Retraso por Unidad Caliente/Fr�a	— • — • — •
 Problema con la Bater�a o el Cargador	• • • • • • • •
DCB107, DCB112, DCB113, DCB115, DCB118, DCB132	
 Unidad en Proceso de Carga	— — — — 
 Unidad Cargada	————— 
 Retraso por Unidad Caliente/Fr�a*	— — — — — — — — 

***DCB107, DCB112, DCB113, DCB115, DCB118, DCB132:** La luz roja continuar a parpadeando, pero una luz indicadora amarilla estar a iluminada durante esta operaci n. Una vez que la bater a haya llegado a una temperatura apropiada, la luz amarilla se apagar a y el cargador continuar a con el procedimiento de carga.

El cargador no cargar n una bater a defectuosa. El cargador indicar a que la unidad de bater a es defectuosa al no iluminarse.

NOTA: Esto tambi n puede significar que hay un problema con el cargador.

Si el cargador indica un problema, lleve el cargador y la bater a a un centro de servicio autorizado para que sean sometidos a pruebas.

Retraso por Bater a Caliente/Fr a

Cuando el cargador detecta que una bater a est a demasiado caliente o demasiado fr a, inicia autom ticamente un Retraso por bater a caliente/fr a y suspende la carga hasta que la bater a alcanza una temperatura adecuada. En ese momento, el cargador inicia autom ticamente el modo de carga de la bater a. Esta funci n garantiza la m xima duraci n de la bater a.

Una bater a fr a se carga m s lentamente que una bater a caliente. La bater a se cargar a a ese ritmo m s lento durante todo el ciclo de carga y no volver a cargarse a la velocidad de carga m xima incluso si la bater a se calienta.

El cargador DCB118 est  equipado con un ventilador interno dise ado para enfriar la bater a. El ventilador se encender  autom ticamente cuando la bater a tenga que enfriarse.

No opere nunca el cargador si el ventilador no funciona adecuadamente o si las ranuras de ventilaci n est n obstruidas. No permita que entren objetos extra os dentro del cargador.

Sistema de Protecci n Electr nica

Las herramientas con bater as de iones de litio est n dise adas con un Sistema de protecci n electr nico que proteger a la bater a contra la sobrecarga, el sobrecalentamiento o la descarga completa.

La herramienta se apagar  autom ticamente si el Sistema de protecci n electr nico se activa. Si esto ocurre, coloque la bater a de iones de litio en el cargador hasta que est  totalmente cargada.

Montaje en la Pared

DCB107, DCB112, DCB113, DCB115, DCB118, DCB132:

Estos cargadores est n dise ados para montarse en la pared o colocarse en posici n vertical sobre una mesa o superficie de trabajo. Si lo monta en la pared, coloque el cargador al alcance de una toma de corriente el ctrica y alejado de las esquinas u otras obstrucciones que puedan impedir el flujo de aire. Utilice la parte de atr s del cargador como plantilla para la ubicaci n de los tornillos de montaje en la pared. Monte el cargador firmemente utilizando tornillos para muro seco (comprados por separado) de un m nimo de 25,4 mm (1") de largo, con una cabeza de un di metro de 7-9 mm (0,28-0,35"), atornillados en madera hasta una profundidad  ptima dejando el tornillo expuesto aproximadamente 5,5 mm (7/32"). Alinee las ranuras en la parte trasera del cargador con los tornillos expuestos e introd zcalos totalmente en las ranuras.

Instrucciones de Limpieza del Cargador



ADVERTENCIA: Riesgo de descarga el ctrica.

Desconecte el cargador del tomacorriente de CA antes de limpiarlo. Para limpiar la suciedad y grasa del exterior del cargador puede usarse un pa o o cepillo suave no met lico. No use agua ni soluciones limpiadoras.

Notas Importantes Sobre la Carga

- Se puede obtener una mayor duraci n y un mejor rendimiento si la unidad de bater a se carga a una temperatura ambiente de 18 – 24  C (65 – 75  F). NO cargue cuando la bater a est a debajo +4.5  C (+40  F) o superior a +40  C (+104  F). Esto es importante y evitar a causar da os graves a la bater a.
- Puede que el cargador y la unidad de bater a se calienten ligeramente durante el proceso de carga. Esto es normal y no representa ning n problema. Para facilitar el enfriamiento de la unidad de bater a despu s del uso, evite colocar el cargador o la unidad de bater a en un lugar c ldido, como un cobertizo met lico o un remolque sin aislamiento t rmico.
- Si la unidad de bater a no se carga correctamente:
 - Verifique el funcionamiento de la toma enchufando una l mpara u otro aparato;
 - Revise que la toma de corriente no est  conectada a un interruptor de luz que corte la corriente cuando se corte la luz;
 - Mueva el cargador y la unidad de bater a a un lugar donde la temperatura ambiental sea aproximadamente 18 – 24  C (65 – 75  F);
 - Si el problema de carga contin a, lleve la herramienta, unidad de bater a y el cargador a su centro de servicio local.
- La unidad de bater a deber a ser recargada cuando no sea capaz de producir suficiente potencia para trabajos que eran f cilmente realizados antes. NO CONTINUE us ndola bajo estas circunstancias. Siga el procedimiento de carga. Tambi n puede cargar una

ESPAÑOL

unidad de batería que haya sido usada parcialmente cuando lo desee, sin dañarla.

- Los materiales ajenos conductores por naturaleza, tales como, pero sin limitarse a, el polvo del esmerilado, las virutas metálicas, la lana de acero, el papel de aluminio o cualquier acumulación de partículas metálicas deberían mantenerse alejados de las cavidades del cargador. Desenchufe siempre el cargador de la toma de corriente cuando no haya una unidad de batería en su cavidad. Desenchufe el cargador antes de intentar limpiarlo.
- No congele ni sumerja el cargador en agua o cualquier otro líquido.

Recomendaciones de Almacenamiento

- El mejor lugar de almacenamiento es uno que sea fresco y seco, lejos de la luz solar directa y del exceso de calor o frío.
- Para resultados óptimos durante tiempos prolongados de almacenamiento, se recomienda almacenar la unidad de batería completamente cargada en un lugar fresco y seco fuera del cargador.

NOTA: Las unidades de batería no deberían almacenarse completamente descargadas. La unidad de batería deberá recargarse antes de ser usada.

GUARDE ESTAS INSTRUCCIONES PARA VOLVER A CONSULTAR EN EL FUTURO

COMPONENTES (FIG. A)



ADVERTENCIA: Nunca modifique la herramienta eléctrica, ni tampoco ninguna de sus piezas. Podría producir lesiones corporales o daños.

Consulte la Figura A al principio de este manual para obtener una lista completa de los componentes.

Uso Debido

Su engrapadora de cables está diseñada **SOLAMENTE** para usarse en la introducción de grapas en madera.

NO utilice la herramienta en condiciones de humedad o en presencia de líquidos o gases inflamables.

Use **ÚNICAMENTE** grapas DEWALT que cumplan con los requisitos aplicables del código de construcción.

Esta herramienta está diseñada para ser utilizada por profesionales de la construcción.

NO permita que los niños toquen la herramienta. Si el operador no tiene experiencia operando esta herramienta, su uso deberá ser supervisado.

ESPECIFICACIONES DE LA HERRAMIENTA

Modo de disparo	Secuencial
Voltaje	20 V
Altura	190,5 mm (7,5")
Ancho	73 mm (2,875")
Longitud	304,8 mm (12")
Peso	2,15 kg (4,75 lbs) sin batería 2,54 kg (5,6 lbs) con batería DCB203
Ángulo del depósito	0° recto
Capacidad de carga	Hasta 35 grapas
Bloqueo de disparo en seco	Sí
LED	Sí

ESPECIFICACIONES DE GRAPAS

Tipo de grapa	Grapa de cable aislado DRS18100
Longitudes de grapa	25,3 mm (1")
Corona de grapa	19,7 mm (3/4")
Aislador de grapa	21,6 mm (0,85") de largo x 4 mm (0,16") de ancho

Bloqueo de Disparo sin Carga

Su engrapadora está equipada con un bloqueo de disparo en seco que evita que la herramienta se accione cuando el cargador está vacío. Después de que se dispara la última grapa, la herramienta deja de funcionar. Consulte **Carga de la Herramienta** para volver a cargar una barra de grapas intercaladas.

MONTAJE Y AJUSTES



ADVERTENCIA: Para reducir el riesgo de lesiones personales, apague la unidad y retire el paquete de batería antes de cargar grapas, realizar cualquier ajuste o retirar/instalar conexiones o accesorios. Una activación accidental puede causar lesiones.




ADVERTENCIA: Retire las grapas del cargador antes de realizar cualquier ajuste o reparar esta herramienta. De lo contrario, puede provocar lesiones graves.



ATENCIÓN: Cuando no se utilice, coloque la herramienta en posición horizontal sobre una superficie estable donde no interrumpa el paso o provoque una caída. Algunas herramientas con baterías grandes se sostienen verticalmente sobre la batería, pero pueden caerse fácilmente.

Gancho Utilitario (Fig. D)

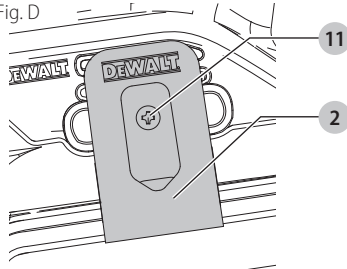
La engrapadora inalámbrica DEWALT incluye un gancho utilitario integrado  y se puede acoplar a cualquier lado de la herramienta para acomodarse a usuarios zurdos o diestros.

Si no se quiere el gancho en absoluto, puede quitarse de la herramienta.

Para Instalar el Gancho Utilitario

1. Retire las grapas y el paquete de batería de la herramienta.
2. Usando solo el tornillo provisto **11**, el gancho utilitario **2** se puede instalar en cualquier lado de la herramienta. Para cambiar la herramienta de uso con la mano derecha o izquierda, simplemente quite el tornillo e instale el gancho utilitario en el lado opuesto.
3. Cargue las grapas y vuelva a colocar el paquete de batería.

Fig. D



OPERACIÓN

! **ADVERTENCIA:** Para reducir el riesgo de lesiones personales, apague la unidad y retire el paquete de batería antes de cargar grapas, realizar cualquier ajuste o retirar/instalar conexiones o accesorios. Una activación accidental puede causar lesiones.

! **ADVERTENCIA:** Lea la sección titulada **Instrucciones de Seguridad de Engrapadora** al principio de este manual. Siempre use protección para los ojos y oídos cuando opere esta herramienta. Mantenga la engrapadora apuntado al lado opuesto de su cuerpo y otras personas. Para la operación segura, complete los siguientes procedimientos y verificaciones antes de cada uso de la engrapadora.

! **ADVERTENCIA:** Para reducir el riesgo de lesiones personales, desconecte el paquete de baterías de la herramienta antes de realizar el mantenimiento, eliminar una grapa atascada, salir del área de trabajo, mover la herramienta a otra ubicación o entregar la herramienta a otra persona.

! **ADVERTENCIA:** **NUNCA** use una herramienta que tenga el indicador de cable restringido en la posición arriba.

! **ADVERTENCIA:** **NUNCA** use una herramienta que tenga partes dañadas.

Cómo Instalar y Retirar la Unidad de Batería (Fig. E)

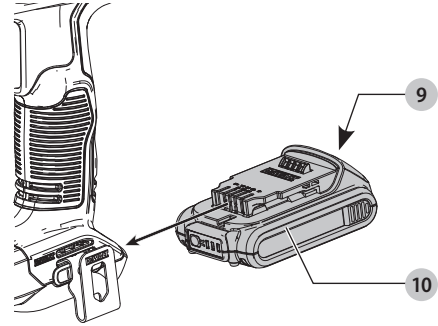
NOTA: Para mejores resultados, verifique que su unidad de batería esté completamente cargada.

Para instalar la unidad de batería **10** en el mango de la herramienta, alinee la unidad de batería con los rieles en el interior del mango de la herramienta y deslícela en el

mango hasta que la unidad de batería quede firmemente insertada en la herramienta; verifique que ésta no se salga sola.

Para retirar la unidad de alimentación de la herramienta, presione los botones de liberación **9** y tire firmemente de la unidad de batería para sacarla del mango de la herramienta. Insértela en el cargador tal como se describe en la sección del cargador de este manual.

Fig. E



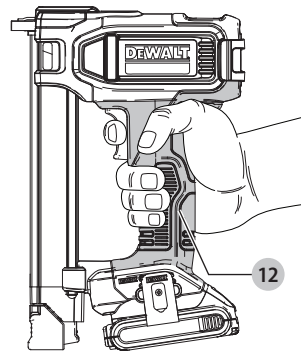
Posición Adecuada de las Manos (Fig. F)

! **ADVERTENCIA:** Para reducir el riesgo de lesión personal grave, tenga **SIEMPRE** las manos en una posición adecuada como se muestra.

! **ADVERTENCIA:** Para reducir el riesgo de lesión personal grave, sujete **SIEMPRE** bien en caso de que haya una reacción repentina.

Para tener una posición adecuada de las manos, ponga una mano en el mango principal **12**, como se muestra en la Fig. F.

Fig. F



Preparación de la Herramienta (Fig. A)

AVISO: **NUNCA** rocíe ni aplique de ninguna otra forma lubricantes o solventes de limpieza en el interior de la herramienta. Esto puede afectar gravemente la duración y el rendimiento de la herramienta.



ESPAÑOL

NOTA: La batería incluida en la caja no está completamente cargada. Siga las instrucciones indicadas (consulte la sección **Carga de una Batería**).

1. Lea la sección **Advertencias de Seguridad de Engrapadora** de este manual.
2. Lleve protección ocular y auditiva.
3. Saque la batería **10** de la herramienta.
4. Asegúrese de que el cargador **6** no tenga ningún clavo.
5. Check for smooth and proper operation of cable alignment guide **3**, wire indicator **4** and pusher **8** assemblies. **NUNCA** use una herramienta que tenga el indicador de cable restringido en la posición activada.
6. No apunte la herramienta a ninguna persona ni a usted mismo.

AVISO: No almacene la herramienta con la batería instalada. Para evitar daños en el paquete y garantizar la mejor duración de la batería, guarde los paquetes de batería fuera de la herramienta o el cargador en un lugar fresco y seco.

Carga de la Herramienta (Fig. G)

⚠️ ADVERTENCIA: No apunte la herramienta a ninguna persona ni a usted mismo.

⚠️ ADVERTENCIA: Nunca cargue grapas con el indicador de cable o el gatillo activado.

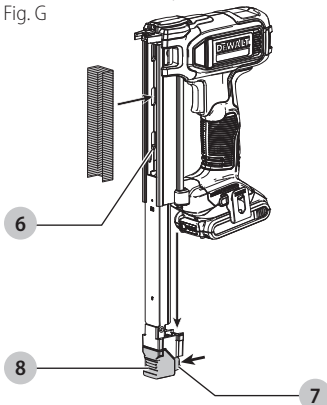
⚠️ ADVERTENCIA: Siempre retire el paquete de la batería antes de cargar o descargar las grapas.

⚠️ ATENCIÓN: Mantenga los dedos alejados del riel del liberador del propulsor para evitar lesiones.

⚠️ ADVERTENCIA: Use grapas DeWALT únicamente en esta herramienta. Otras grapas pueden dañar el aislamiento del cable. Lo que puede provocar descargas eléctricas, incendios y/o lesiones graves.

1. Presione el botón de liberación del cargador **7** y deslice el núcleo del cargador y la palanca de empuje **8** hacia afuera hasta que llegue al final de su recorrido.
2. Coloque las tiras de grapas en la ranura de carga del cargador **6**, asegurándose que las cabezas de las grapas estén alineadas correctamente con la abertura de la ranura. (Consulte **Especificaciones de grapas** para determinar el tamaño compatible).

Fig. G



3. Mantenga los dedos alejados del carril, cierre el cargador soltando el seguro de la palanca de empuje. Con cuidado, deje que el seguro se deslice hacia adelante y conecte la tira de grapas.

NOTA: No golpee el ensamble del núcleo del cargador en el cargador porque podría dañar las grapas.

Descarga de la Herramienta

⚠️ ADVERTENCIA: Siempre retire el paquete de la batería antes de cargar o descargar las grapas.

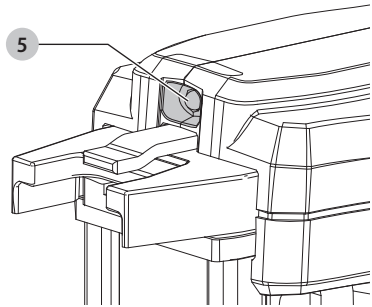
1. Presione el botón de liberación del cargador **7** y deslice el núcleo del cargador y la palanca de empuje **8** hacia afuera hasta que llegue al final de su recorrido.
2. Incline la herramienta hacia arriba hasta que las tiras de grapas caigan libremente del cargador.
3. Cierre el cargador deslizando el núcleo del cargador nuevamente dentro del cargador hasta que se conecte. No golpee el núcleo del cargador dentro del cargador.

Faro/Luz de Trabajo LED (Fig. H)

Hay un faro/luz de trabajo LED **5** ubicada en la parte frontal de la unidad. El faro se enciende cuando se inserta la batería, se activa el gatillo o se presiona el indicador de cable. La luz se apagará automáticamente después de 20 segundos a menos que la herramienta permanezca en uso.

NOTA: El faro es para iluminar la superficie de trabajo inmediata y no debe utilizarse como una linterna.

Fig. H



INDICADOR DE BATERÍA BAJA: El faro parpadeará cuatro veces consecutivas y luego se apagará para indicar que la batería está baja.

Activación de la Herramienta (Fig. I, J)

⚠️ ADVERTENCIA: Siempre apague la energía al circuito antes de intentar engrapar los cables. No engrape cables "vivos".

⚠️ ADVERTENCIA: Siempre asuma que la herramienta contiene grapas. El manejo descuidado de la engrapadora puede provocar un disparo inesperado de las grapas y lesiones personales. No apunte la herramienta hacia usted ni a nadie cercano. El disparo inesperado podría descargar una grapa causando una lesión. ¡No haga bromas pesadas! ¡Trabaje seguro! Respete la herramienta como un implemento de trabajo.

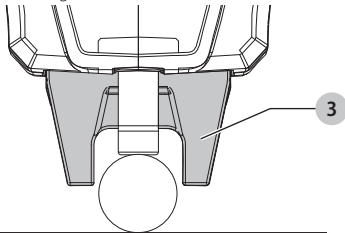
⚠️ ADVERTENCIA: No active la herramienta a menos que se haya colocado firmemente contra la pieza de

trabajo. Si la herramienta no está en contacto con la pieza de trabajo, la grapa se puede alejar del objetivo.

No hay necesidad de ajuste de profundidad.

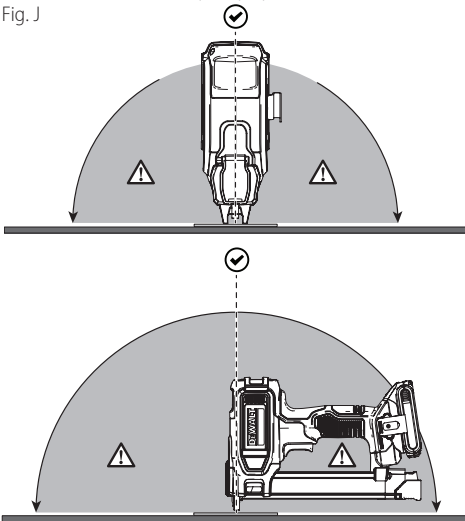
1. Cargue la unidad con grapas.
2. Coloque la batería en la herramienta.
3. Ubique la guía de alineación del cable **3** directamente sobre el cable o alambre que desea engrapar de manera que el cable quede centrado lo más posible entre las 2 clavijas de la guía de alineación del cable.

Fig. I



ADVERTENCIA: Las grapas se deben colocar rectas dentro del material. No incline la engrapadora mientras inserta las grapas. Consulte la Figura J. Los valores de retención de grapas mejoran cuando la herramienta se dispara perpendicular al material.

Fig. J



4. Empuje la herramienta contra el cable firmemente para presionar la guía de alineación del cable **3** hasta el fondo, así como el indicador de cable **4**, jale el gatillo **1** y se disparará una grapa.
5. Revise el cable respecto a daños después de cada disparo.

NOTA: Al disparar sobre ciertos materiales como vigas LVL o TJI, es posible que deba aplicar una fuerza adicional hacia la pieza de trabajo para asentar correctamente la grapa.



ADVERTENCIA: Tenga cuidado al colocar la engrapadora sobre el cable o alambre para evitar que la grapa perfora la cubierta del cable o el aislamiento. Después de disparar cada grapa, revise visualmente la grapa accionada para asegurarse que el aislamiento

del cable no esté dañado. Si está dañado, reemplace el cable.

Las grapas para cables aislados DRS18100 están aprobadas por UL® para las siguientes combinaciones de cableado Romex®.

Combinaciones de cables Romex® aprobados por UL® (Cable con cubierta de NM)		Cable apilado doble	
Calibre de cable	Cable sencillo	Cualquier combinación: 14-2 o 14-3 o 12-2 o 12-3 o 10-2	
14-2	X	X	
14-3	X	X	
12-2	X	X	
12-3	X	X	
10-2	X	X	
10-3	X		



Eliminación de Grapa Atascada (Fig. A)



ADVERTENCIA: Para reducir el riesgo de lesiones personales serias, desconecte el paquete de batería de la herramienta antes de hacer cualquier ajuste, cambiar accesorios, dar servicio o mover la herramienta. Tales medidas preventivas de seguridad reducen el riesgo de disparar accidentalmente la herramienta.

1. Retire el paquete de batería **10** de la herramienta.
2. Presione el botón de liberación del cargador **7** y deslice el núcleo del cargador y la palanca de empuje **8** hacia afuera hasta que llegue al final de su recorrido.
3. Incline la herramienta hacia arriba hasta que cualquier tira de grapas suelta caiga libremente del cargador. Cualquier grapa atascada entonces se puede retirar.
4. Rellene el cargador con nuevas grapas.

Funcionamiento en Climas Fríos

Cuando utilice herramientas a temperaturas bajo cero:

1. Mantenga la herramienta lo más caliente posible antes de utilizarla.
2. Accione la herramienta varias veces en la madera de desecho sobre un trozo de cable de desecho antes de usar.

Funcionamiento en Climas Cálidos

La herramienta debería funcionar normalmente. Sin embargo, no exponga la herramienta a la luz solar directa, ya que el calor excesivo puede deteriorar los topes y otras piezas de goma con lo cual aumenta la necesidad de mantenimiento.

MANTENIMIENTO



ADVERTENCIA: Para reducir el riesgo de lesiones personales, apague la unidad y retire el paquete de batería antes de cargar grapas, realizar cualquier ajuste o retirar/instalar conexiones

o accesorios. Una activación accidental puede causar lesiones.

TABLA DE MANTENIMIENTO DIARIO

ACCIÓN	Limpie el depósito, el impulsor y el mecanismo del activador por contacto.
MOTIVO	Permite que el depósito funcione correctamente, reduce el desgaste y previene los atascos.
PROCEDIMIENTO	La forma más eficaz de limpiar la herramienta es soplando con aire comprimido. El uso de aceites, lubricantes o solventes periódicamente no se recomienda ya que tienden a atraer residuos y/o dañan las piezas de plástico de la herramienta.
ACCIÓN	Antes de cada uso, verifique que todos los tornillos y grapas estén apretados y sin daños.
POR QUÉ	Evita los atascos y el fallo prematuro de las piezas de la herramienta.
CÓMO	Apriete los tornillos flojos utilizando la llave hexagonal o atornillador adecuado.

Limpieza

⚠️ ADVERTENCIA: *Sople la suciedad y el polvo de todos los conductos de ventilación con aire seco, al menos una vez por semana. Para reducir el riesgo de lesiones, utilice siempre protección para los ojos aprobada ANSI Z87.1 al realizar esta tarea.*

⚠️ ADVERTENCIA: *NUNCA utilice solventes ni otros químicos abrasivos para limpiar las piezas no metálicas de la herramienta. Estos productos químicos pueden debilitar los materiales plásticos utilizados en estas piezas. Utilice un paño humedecido sólo con agua y jabón neutro. Nunca permita que penetre líquido dentro de la herramienta ni sumerja ninguna de las piezas en un líquido.*

Lubricación

AVISO: *NUNCA rocíe ni aplique de ninguna otra forma lubricantes o solventes de limpieza en el interior de la herramienta. Esto puede afectar gravemente la duración y el rendimiento de la herramienta.*



Las herramientas DEWALT son lubricadas adecuadamente en fábrica y están listas para usar. No obstante, se recomienda que, una vez al año, lleve o envíe la herramienta a un centro de mantenimiento certificado para que le realicen una limpieza e inspección completas.

Accesorios

⚠️ ADVERTENCIA: *Debido a que no se han probado con este producto otros accesorios que no sean los que ofrece DEWALT., el uso de dichos accesorios con esta herramienta podría ser peligroso. Para reducir el riesgo de lesiones, con este producto deben usarse sólo los accesorios recomendados por DEWALT.*

Los accesorios que se recomiendan para utilizar con la herramienta están disponibles a un costo adicional en su distribuidor local o en un centro de mantenimiento autorizado. Si necesita ayuda para localizar algún accesorio, póngase en contacto con DEWALT Industrial Tool Co., 701 East Joppa Road, Towson, MD 21286, llame al 1-800-4-DEWALT (1-800-433-9258) o visite nuestro sitio web: www.DEWALT.com.

Reparaciones

No hay partes reparables por el usuario dentro de la engrapadora.

El cargador y las unidades de batería no pueden ser reparados.

⚠️ ADVERTENCIA: *Para asegurar la SEGURIDAD y la CONFIABILIDAD del producto, las reparaciones, el mantenimiento y los ajustes deben (inclusive inspección y cambio de carbones) ser realizados en un centro de mantenimiento en la fábrica DEWALT u en un centro de mantenimiento autorizado DEWALT. Utilice siempre piezas de repuesto idénticas.*

Para reparación y servicio de sus herramientas eléctricas, favor de dirigirse al Centro de Servicio más cercano

CULIACAN, SIN

Bld.Emiliano Zapata 5400-1 Poniente Col. (667) 717 89 99 San Rafael

GUADALAJARA, JAL

Av. La Paz #1779 - Col. Americana Sector (33) 3825 6978 Juárez

MEXICO, D.F.

Eje Central Lázaro Cárdenas No. 18 - Local (55) 5588 9377 D, Col. Obrera

MERIDA, YUC

Calle 63 #459-A - Col. Centro (999) 928 5038

MONTERREY, N.L.

Av. Francisco I. Madero 831 Poniente - Col. (818) 375 23 13 Centro

PUEBLA, PUE

17 Norte #205 - Col. Centro (222) 246 3714

QUERETARO, QRO

Av. San Roque 274 - Col. San Gregorio (442) 2 17 63 14

SAN LUIS POTOSI, SLP

Av. Universidad 1525 - Col. San Luis (444) 814 2383

TORREON, COAH

Bld. Independencia, 96 Pte. - Col. Centro (871) 716 5265

VERACRUZ, VER

Prolongación Díaz Mirón #4280 - Col. Remes (229) 921 7016

VILLAHERMOSA, TAB

Constitución 516-A - Col. Centro (993) 312 5111

PARA OTRAS LOCALIDADES:

**Si se encuentra en México, por favor llame al
(55) 5326 7100**

**Si se encuentra en U.S., por favor llame al
1-800-433-9258 (1-800 4-DEWALT)**

Póliza de Garantía

IDENTIFICACIÓN DEL PRODUCTO:

Sello o firma del Distribuidor.

Nombre del producto: _____

Mod./Cat.: _____

Marca: _____

Núm. de serie: _____

(Datos para ser llenados por el distribuidor)

Fecha de compra y/o entrega del producto:

Nombre y domicilio del distribuidor donde se adquirió el producto:

Este producto está garantizado por un año a partir de la fecha de entrega, contra cualquier defecto en su funcionamiento, así como en materiales y mano de obra empleados para su fabricación. Nuestra garantía incluye la reparación o reposición del producto y/o componentes sin cargo alguno para el cliente, incluyendo mano de obra, así como los gastos de transportación razonablemente erogados derivados del cumplimiento de este certificado.

Para hacer efectiva esta garantía deberá presentar su herramienta y esta póliza sellada por el establecimiento comercial donde se adquirió el producto, de no contar con ésta, bastará la factura de compra.

Excepciones

Esta garantía no será válida en los siguientes casos:

- Cuando el producto se hubiese utilizado en condiciones distintas a las normales;
- Cuando el producto no hubiese sido operado de acuerdo con el instructivo de uso que se acompaña;
- Cuando el producto hubiese sido alterado o reparado por personas distintas a las enlistadas al final de este certificado.

Anexo encontrará una relación de sucursales de servicio de fábrica, centros de servicio autorizados y franquiciados en la República Mexicana, donde podrá hacer efectiva su garantía y adquirir partes, refacciones y accesorios originales.

Registro en Línea

Gracias por su compra. Registre su producto ahora para:

- **SERVICIO EN GARANTÍA:** Si completa esta tarjeta, podrá obtener un servicio en garantía más eficiente, en caso de que exista un problema con su producto.
- **CONFIRMACIÓN DE PROPIEDAD:** En caso de una pérdida que cubra el seguro, como un incendio, una inundación o un robo, el registro de propiedad servirá como comprobante de compra.
- **PARA SU SEGURIDAD:** Si registra el producto, podremos comunicarnos con usted en el caso improbable que se deba enviar una notificación de seguridad conforme a la Federal Consumer Safety Act (Ley Federal de Seguridad de Productos para el Consumidor).

Registro en línea en www.dewalt.com/register.

Garantía Limitada por Tres Años

DEWALT reparará, sin cargo, cualquier falla que surja de defectos en el material o la fabricación del producto, por hasta tres años a contar de la fecha de compra. Esta garantía no cubre fallas de las piezas causadas por su desgaste normal o abuso a la herramienta. Para mayores detalles sobre la cobertura de la garantía e información acerca de reparaciones realizadas bajo garantía, visítenos en www.dewalt.com o diríjase al centro de servicio más cercano. Esta garantía no aplica a accesorios o a daños causados por reparaciones realizadas o intentadas por terceros. ESTA GARANTÍA LIMITADA SE OTORGA EN VEZ DE TODAS LAS DEMÁS, INCLUIDA LA GARANTÍA IMPLÍCITA DE COMERCIABILIDAD Y APTITUD PARA UN FIN PARTICULAR, Y EXCLUYE TODOS LOS DAÑOS INCIDENTALES O CONSECUENTES. Algunos estados no permiten limitaciones sobre la duración de una garantía implícita, o la exclusión o limitación de daños incidentales o consecuentes, así que estas limitaciones pueden no aplicarse a usted. Esta garantía le otorga derechos legales específicos, además de los cuales usted puede tener otros derechos dependiendo del estado o la provincia en que se encuentre.

Además de la garantía, las herramientas DEWALT están cubiertas por:

2 AÑOS DE SERVICIO GRATUITO PARA UNIDADES DE ALIMENTACIÓN DEWALT

DC9071, DC9091, DC9096, DC9182, DC9280, DC9360, DCB120, DCB127, DCB201, DCB203BT, DCB207, DCB361

3 AÑOS DE SERVICIO GRATUITO PARA UNIDADES DE ALIMENTACIÓN DEWALT

DCB200, DCB203, DCB204, DCB204BT, DCB205, DCB205BT, DCB206, DCB230, DCB606, DCB609, DCB612

NOTA: La garantía del producto quedará nula si la unidad de batería ha sido alterada de cualquier manera. DEWALT no es responsable de ninguna lesión causada por alteraciones y podría iniciar un procedimiento judicial por fraude de garantía hasta el máximo grado permisible por la ley.

ESPAÑOL

GARANTÍA DE REEMBOLSO DE SU DINERO POR 90 DÍAS

Si no está completamente satisfecho con el rendimiento de su herramienta eléctrica, láser o engrapadora DEWALT por cualquier motivo, puede devolverla dentro de los 90 días a partir de la fecha de compra con un recibo para un reembolso completo, sin hacer preguntas.

AMÉRICA LATINA: Esta garantía no se aplica a los productos que se venden en América Latina. Para los productos que se venden en América Latina, debe consultar la información de la garantía específica del país que viene en el empaque, llamar a la compañía local o visitar el sitio Web a fin de obtener esa información.

REEMPLAZO GRATUITO DE LAS ETIQUETAS DE

ADVERTENCIAS: Si sus etiquetas de advertencia se vuelven ilegibles o faltan, llame al 1-800-433-9258 (1-800-4-DEWALT) para que se le reemplacen gratuitamente.

ESPECIFICACIONES

DCN890

20 V Máx*

Solamente para propósito de México:

Importado por: DEWALT Industrial Tool Co. S.A. de C.V.

Avenida Antonio Dovali Jaime, # 70 Torre B Piso 9

Colonia La Fe, Santa Fé

Código Postal : 01210

Delegación Alvaro Obregón

México D.F.

Tel. (52) 555-326-7100

R.F.C.: BDE810626-1W7

GUÍA DE SOLUCIÓN DE PROBLEMAS

Muchos problemas comunes se pueden resolver fácilmente utilizando la tabla a continuación. Para problemas más serios o persistentes, comuníquese con un centro de servicio de DeWALT o llame al 1-(800)-4-DeWALT.



ADVERTENCIA: Para reducir el riesgo de lesiones personales graves, SIEMPRE desconecte el paquete de baterías de la herramienta antes de todas las reparaciones.

SÍNTOMA	CAUSA	ARREGLO
La herramienta no dispara	Bloqueo de disparo en seco activado, bloqueando el indicador de alambre del recorrido completo.	Cargue más grapas en el cargador.
	La batería está caliente.	Deje que la batería se enfríe o reemplácela con un paquete frío.
	La herramienta está caliente.	Deje que la herramienta se enfríe antes de continuar usándola.
	Disparo de contacto doblado.	Consulte a un centro de servicio autorizado.
	Las terminales están sucias o dañadas.	Consulte a un centro de servicio autorizado.
	Componentes electrónicos internos dañados.	Consulte a un centro de servicio autorizado.
	Gatillo dañado.	Consulte a un centro de servicio autorizado.
	La grapa/cuchilla de inserción atascada no regresó a la posición inicial.	Retire la batería, quite la grapa atascada, vuelva a insertar la batería, la cuchilla de accionador se restablecerá usando la herramienta normalmente (el primer ciclo no disparará una grapa).
	Controlador dañado.	Consulte a un centro de servicio autorizado.
	Mecanismo interno atascado.	Consulte a un centro de servicio autorizado.
La herramienta funciona, pero no introduce completamente los sujetadores	Componentes electrónicos internos dañados.	Consulte a un centro de servicio autorizado.
	Herramienta no aplicada firmemente a la pieza de trabajo.	Aplique fuerza adecuada a la herramienta para asegurarla firmemente a la pieza de trabajo. Consulte Activación de la herramienta .
	Punta de accionador dañada o desgastada.	Consulte a un centro de servicio autorizado.
La herramienta funciona, pero no se introduce el sujetador	Mecanismo de activación dañado.	Consulte a un centro de servicio autorizado.
	Grapas o tamaño incorrectos.	Use sólo las grapas recomendadas. Consulte Especificaciones de grapa .
	Escombros en pieza de punta.	Limpie el área de la punta y preste atención a las pequeñas piezas de grapas rotas atascadas en el carril.
	Escombros en el cargador.	Limpie el cargador.
	Resorte de empuje dañado.	Reemplace el resorte. Consulte a un centro de servicio autorizado.
Grapas atascadas	Cargador desgastado.	Reemplace el cargador. Consulte a un centro de servicio autorizado.
	Grapas o tamaño incorrectos.	Use sólo las grapas recomendadas. Consulte Especificaciones de grapa .
Las grapas no encajan	Cargador no asegurado después de la eliminación/inspección previa.	Asegúrese que el cargador esté bien conectado.
	Material y longitud de sujetador.	Si la unidad continúa bloqueada, consulte con un centro de servicio autorizado.
	Escombros en pieza de punta.	Limpie el área de la punta y preste atención a las pequeñas piezas de grapas rotas atascadas en el carril.
	Cargador desgastado.	Reemplace el cargador. Consulte a un centro de servicio autorizado.
	Resorte de empuje dañado.	Reemplace los resortes. Consulte a un centro de servicio autorizado.
	Accionador dañado o desgastado.	Reemplace el accionador con el juego.
	Confirme que se están utilizando las grapas DeWALT.	Su engrapadora sólo es compatible con grapas DeWALT.





DEWALT BATTERY AND CHARGER SYSTEMS

**Chargers/Charge Time (Minutes) . Chargeurs/Durée de charge (Minutes) .
Cargadores de baterías/Tiempo de carga (Minutos)**

Battery Cat #	Output Voltage	120 Volts													12 Volts			
		DC9000	DC9310	DC9320	DCB095	DCB102	DCB103	DCB107	DCB112	DCB113	DCB114	DCB115	DCB116	DCB118	DCB132	DCB119	DW0249	DCB412
DCB609	20/60	X	X	X	X	135	135	432	270	230	X	135	X	75	270	X	X	X
DCB606	20/60	X	X	X	X	100	100	272	170	140	X	90	X	60	90	X	X	X
DCB404	40	X	X	X	X	X	X	X	X	X	90	X	30	X	X	X	X	130
DCB406	40	X	X	X	X	X	X	X	X	X	130	X	45	X	X	X	X	190
DCB407	40	X	X	X	X	X	X	X	X	X	170	X	60	X	X	X	X	235
DC9360	36	45	X	X	X	X	X	X	X	X	X	X	X	X	X	X	X	X
DCB361	36	45	X	X	X	X	X	X	X	X	X	X	X	X	X	X	X	X
DC9280	28	60	X	X	X	X	X	X	X	X	X	X	X	X	X	X	X	X
DW0242	24	X	X	X	X	X	X	X	X	X	X	X	X	X	X	X	60	X
DCB200	20	X	X	X	X	60	60	140	90	67	X	45	X	45/30**	45	90	X	X
DCB201	20	X	X	X	X	30	30	70	45	35	X	22	X	22	22	45	X	X
DCB203	20	X	X	X	X	35	35	90	60	45	X	30	X	30	30	60	X	X
DCB203BT*	20	X	X	X	X	35	35	90	60	45	X	30	X	30	30	60	X	X
DCB204	20	X	X	X	X	70	70	185	120	90	X	60	X	60/40**	60	120	X	X
DCB204BT*	20	X	X	X	X	70	70	185	120	90	X	60	X	60	60	120	X	X
DCB205	20	X	X	X	X	95	95	240	150	112	X	75	X	75/47**	75	150	X	X
DCB206	20	X	X	X	X	100	100	272	170	140	X	90	X	60	90	X	X	X
DCB207	20	X	X	X	X	30	30	60	40	30	X	22	X	22	22	X	X	X
DC9182	18	X	X	40	X	X	40	X	X	X	X	X	X	X	X	X	40	X
DCB120	12	X	X	X	X	30	30	60	45	35	X	20	X	X	X	45	X	X
DCB127	12	X	X	X	X	35	35	90	60	50	X	30	X	X	X	60	X	X
DCB080	8	X	X	X	60	X	X	X	X	X	X	X	X	X	X	X	X	X

*BT - Bluetooth® **NOTE:** The Bluetooth® word mark and logos are registered trademarks owned by the Bluetooth®, SIG, Inc. and any use of such marks by DEWALT is under license. Other trademarks and trade names are those of their respective owners.

**Battery Datecode 201536 or later.

"X" Indicates that the battery pack is not compatible with that specific charger. All charge times are approximate. Actual charge time may vary. Read the instruction manual for more specific information.

"X" indique que le bloc-piles n'est pas compatible avec ce chargeur. Les durées de charge sont approximatives; la durée de charge réelle peut varier. Lire le manuel d'utilisation pour obtenir des renseignements plus précis.

Una "X" indica que el paquete de baterías no es compatible con ese determinado cargador. El tiempo de duración de carga es aproximado; la duración de carga real puede variar. Lea el manual de instrucciones para obtener información más precisa.

* Maximum initial battery voltage (measured without a workload) is 20, 60 or 120 volts. Nominal voltage is 18, 54 or 108. (120V Max* is based on using 2 DEWALT 60V Max* lithium-ion batteries combined.)

* La tension initiale maximum du bloc-piles (mesurée à vide) est de 20, 60 ou 120 volts. La tension nominale est de 18, 54 ou 108. (120 V Max* se base sur l'utilisation combinée de 2 blocs-piles au lithium ion DEWALT de 60 V Max*.)

* El máximo voltaje inicial de la batería (medido sin carga de trabajo) es 20, 60 o 120 voltios. El voltaje nominal es de 18, 54 o 108. (120 V Máx* se basan en el uso de 2 baterías de iones de litio DEWALT de 60 V Máx* combinadas.)

DEWALT Industrial Tool Co., 701 East Joppa Road, Towson, MD 21286
(OCT18) Part No. N572938 DCN701 Copyright © 2018 DEWALT

The following are trademarks for one or more DEWALT power tools: the yellow and black color scheme, the "D" shaped air intake grill, the array of pyramids on the handgrip, the kit box configuration, and the array of lozenge-shaped humps on the surface of the tool.