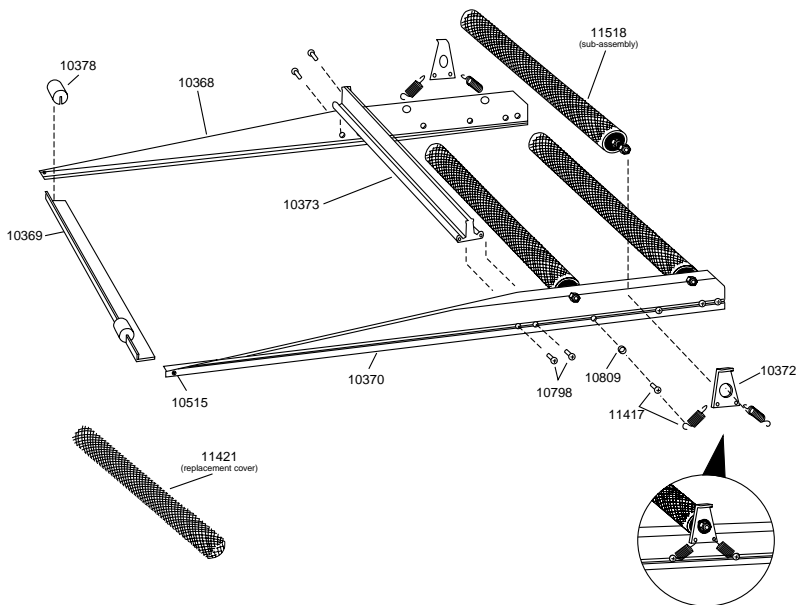




Click Here To View  
Item at

[www.GapPower.com](http://www.GapPower.com)

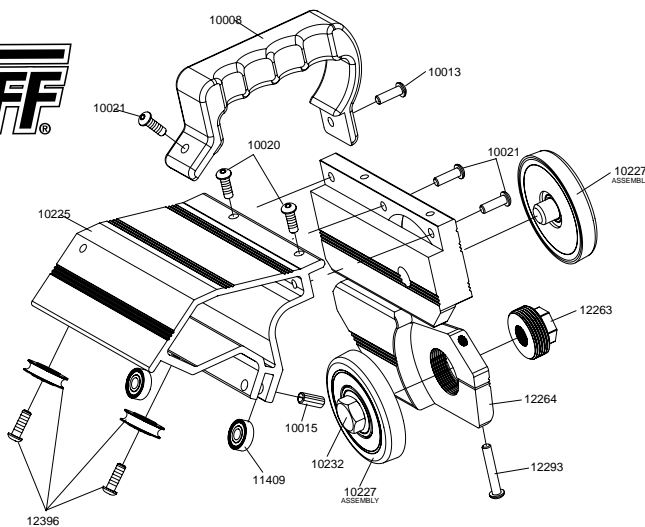
*Sales • Rentals  
Parts & Service*



Item #	Description
10368	Left Side Rail
10369	Front Support Bar
10370	Right Side Rail
10372	Roller Clip
10373	Support Bar
10378	Plastic Coil Guard
10515	10-24 x 1/2 Phil Pan Hd
10798	10-24 x 5/8 Type F Phil Hd Screw
10809	Nylon Spacer
11417	Pivot Spring Kit (3) Roller/Pivot Spring 10794 (3) 10-24 x 1/2 Phil Pan Hd Screw 10515
11421	Replacement Roller Cover Kit (3) Roller Covers 10796
11518	Roller Tube (Sub-Assembly)

## Adjustable

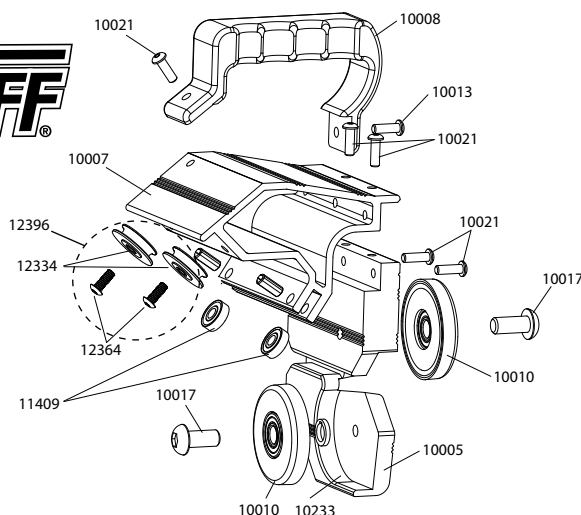
# MAX CUTOFF®



\*This kit replaces the Track Bearing Kit 11393. Both are still available for purchase.  
\*\*Please contact Customer Service if these parts need to be replaced.

Item #	Description
10008	Handle
10225	Bridge
11409	Cut-Off Guide Bearing Kit (2) Guide Bearing 10016 (2) 5/16" Roll Pin 10015
12264	Adjustable Max Cut-Off Body
12396*	Flange Track Bearing Kit* (2) Wide Flange Track Bearing 12334 (2) Lock nut 1/4-20 10094 (2) 1/4-20 X 5/8" Hex Button Hd Screw 12364
11393	Track Bearing Kit (not shown) (2) Track Bearing 10012
10021	1/4-20 X 1" Hex Button Hd Screw
10020	1/4-20 X 5/8" Hex Button HD Screw
10013	1/4-20 X 1-1/4" Button Hd Screw
10227	Max Knife Assembly
11413	Hinge Clip Kit (not shown)
10519	1/4-20 X 3/4" Hex Wash Hd Screw (not shown)
11404	Material Stop Kit (not shown) (2) Material Stop 10740 (2) 1/4-20 Knurled Knob 11329 (2) Cut-Off Tape Measure 10023
12263	Adjusting Nut
12293	1/4-20 X 1 1/2 Socket Head Cap Screws

# PRO CUTOFF®



\*This kit replaces the Track Bearing Kit 11393. Both are still available for purchase.  
\*\*Please contact Customer Service if these parts need to be replaced.

Item #	Description
10005	Body
10007	Bridge
10008	Handle
10010	Knife Assembly
10013	1/4-20 X 1-1/4" Button Hd Screw
10021	1/4-20 X 1" Hex Button Hd Screw
11413	Hinge Clip Kit (not shown)
10519	1/4-20 X 3/4" Hex Wash Hd Screw (not shown)
11393	Track Bearing Kit (not shown) (2) Track Bearing 10012
11404	Material Stop Kit (not shown) (2) Material Stop 10740 (2) 1/4-20 Knurled Knob 11329 (2) Cut-Off Tape Measure 10023
11409	Cut-Off Guide Bearing Kit (2) Guide Bearing 10016 (2) 5/16" Roll Pin 10015
10017	1/2"-13 X 1" Hex Button Hd Screw
12396*	Flange Track Bearing Kit* (2) Wide Flange Track Bearing 12334 (2) 1/4-20 X 5/8" Hex Button Hd Screw 12364 (2) Lock nut 1/4-20 10094

Parts sold in kits are not available for purchase individually.