



[Click Here To View](#)
[Item at](#)

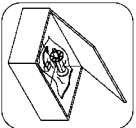
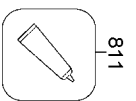
www.GapPower.com

Sales • Rentals
Parts & Service

MIIFN

FLOORING NAILER
 CLAVADORA DE PISOS
 CLOUEURS DE PLANCHER

IP1121-1RR 04/13
 TO BE USED WITH PARTS LIST IP1121-2- AND OPERATION AND MAINTENANCE MANUAL 103697.

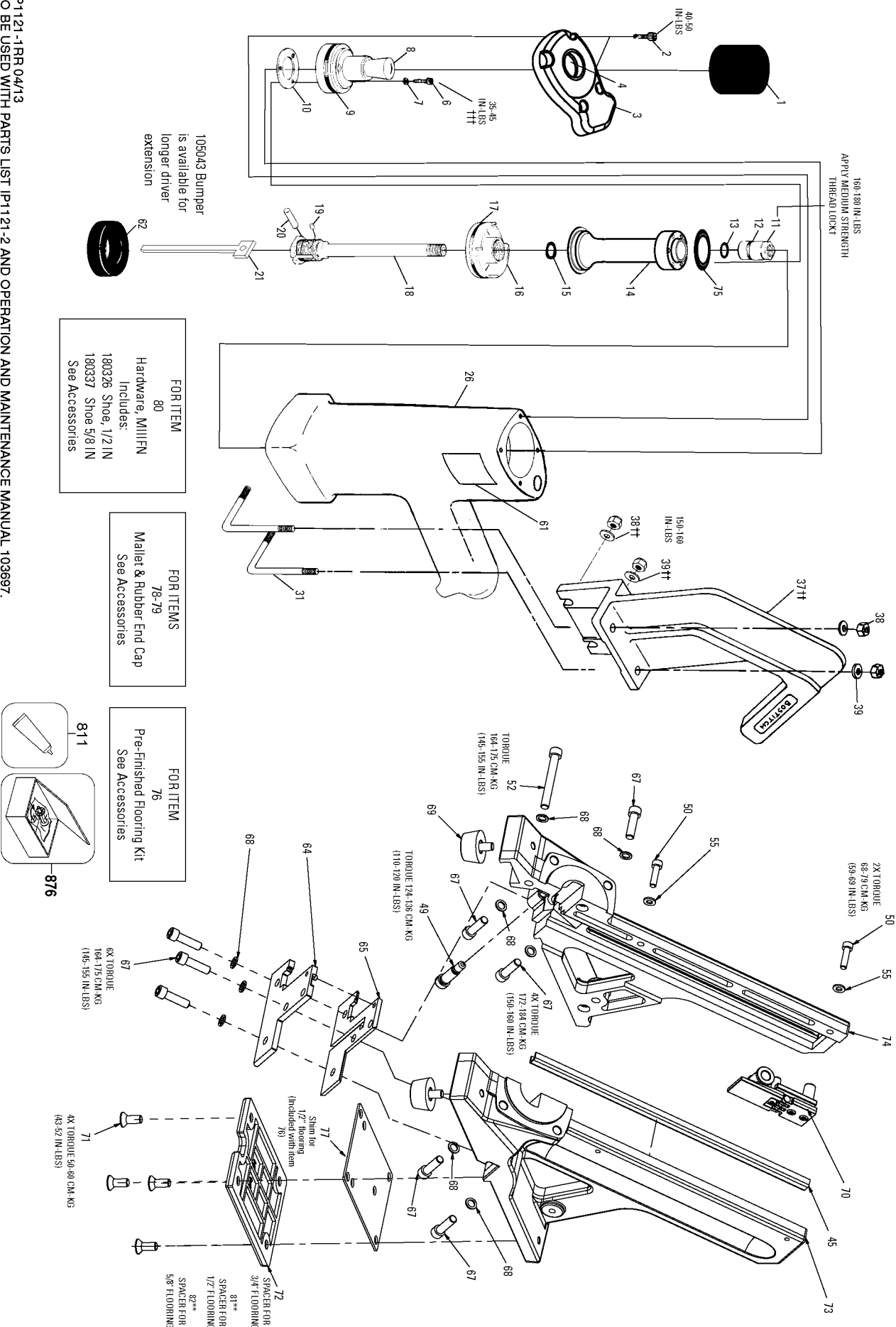


811
 876

6X TORQUE
 164-175 CM-KG
 (146-155 IN-LBS)
 67

4X TORQUE 90-90 CM-KG
 (43-52 IN-LBS)
 71

81**
 SPACER FOR
 1/2" FLOORING
 82**
 SPACER FOR
 5/8" FLOORING



105043 Bumper
 is available for
 longer driver
 extension

FOR ITEM
 80
 Hardware, Millifn
 Includes:
 180326 Shoe, 1/2 IN
 180337 Shoe 5/8 IN
 See Accessories

FOR ITEMS
 78-79
 Mallet & Rubber End Cap
 See Accessories

FOR ITEM
 76
 Pre-Finished Flooring Kit
 See Accessories

APPLY MEDIUM STRENGTH
 THREAD LOCKT

40-50
 IN-LBS
 2

35-45
 IN-LBS
 6, 7, 10

150-160
 IN-LBS
 38††, 39††

2X TORQUE
 68-76 CM-KG
 (59-69 IN-LBS)
 50, 55

TORQUE
 52
 164-175 CM-KG
 (146-155 IN-LBS)
 52

TORQUE
 67
 172-184 CM-KG
 (150-160 IN-LBS)
 67, 68, 69

TORQUE
 68
 172-184 CM-KG
 (150-160 IN-LBS)
 68, 69

TORQUE
 49
 124-136 CM-KG
 (110-120 IN-LBS)
 49

TORQUE
 64
 164-175 CM-KG
 (146-155 IN-LBS)
 64, 65

TORQUE
 71
 90-90 CM-KG
 (43-52 IN-LBS)
 71, 72

TORQUE
 81**
 90-90 CM-KG
 (43-52 IN-LBS)
 81**, 82**

SHIM FOR
 1/2" FLOORING
 (Included with Item
 76)
 77

SPACER FOR
 1/2" FLOORING
 81**

SPACER FOR
 5/8" FLOORING
 82**

Parts List for MIIIFN Type 12 153 0000 and Higher

Item Number	Part Number	Description	Qty Required
1	87502	HAMMER FACE	1
2	UA3810.4	SCREW-10-24 X 5/8 SH	4
3	117524	CAP-FRAME	1
4	88445	O-RING	1
6	UA2810	SCREW-SHCS-8-32X5/8	3
7	LW8.2	LOCK WASHER	3
8	BC1295	POPPET ACTUATOR	1
9	86460	O-RING	1
10	180256	SEAL	1
11	BC703	STEM-PLUNGER - MII	1
12	850144	O-RING-.614X.070	1
13	86458	O-RING	1
14	121800	POPPET	1
15	850143	O-RING-.487X.103	1
16	BC1175	DRIVER PISTON	1
17	850626	O-RING-1.984X.139	1
18	BC1455	PISTON STEM	1
19	BC347	NYLON INSERT	1
20	UB4112.3	PIN- DOWEL .250 X .7	1
21	180258	DRIVER	1
26	BC1328AFS	BODY	1
31	BC1301	CLAMP SCREW	2
37	BC1619	HANDLE-LONG	1
38	HN1420.4	NUT-ESN-1/4-20	4
39	PW14	WASHER-1/4 USS FLAT	4
45	180248	FASTENER GUIDE	1
49	180249	SPECIAL SCREW	1

COPYRIGHT© 2005. All Rights Reserved.

Parts list, pricing, and availability subject to change. Please visit www.dewaltservicenetwork.com for current parts information.

Parts List for MIIIFN Type 12 153 0000 and Higher

Item Number	Part Number	Description	Qty Required
50	107166	SCREW-SHCS-10-24X3/4	2
52	107161	SCREW-SHCS-1/4-20X2	1
55	107163	WASHER-3/16 DIA.	2
61	182280	WARNING LABEL	1
62	105044	BUMPER	1
64	182185	ASSEMBLY-NOSE	1
65	180247	NOSE PLATE	1
67	UA4814.1	SCREW-SHCS-1/4-20 X	14
68	107164	WASHER-1/4 DIA.	14
69	175808	BUMPER ASSEMBLY	1
70	182184	ASSEMBLY-PUSHER	1
71	107162	SCREW-SFHCS-1/4-20X5	4
72	175794	SHOE-3/4 IN	1
73	180244	FRAME-MACHINING LEFT	1
74	180242	FRAME-MACHINING RIGH	1
75	121799	O-RING-1.287 X .210	1
77	159828	SHIM-FOOT	1
78	174236	MALLET-14.5IN GRAPHI	1
79	HFMF-SW	HDWD MALLET FACE	1
80	9R186248	HARDWARE	1
81	180326	SHOE-1/2 IN.	1
82	180337	SHOE-5/8 IN.	1
811	851385	LOCTITE	1
811	851325	LOCTITE	1
876	ORK6	REPAIR KIT	1
876	MIISK	REPAIR KIT	1

COPYRIGHT© 2005. All Rights Reserved.

Parts list, pricing, and availability subject to change. Please visit www.dewaltservicenetwork.com for current parts information.