

## Original Instructions - Planer

Page 3

**IMPORTANT:** Read all instructions before using.

## Guide d'utilisation - Rabot

Page 12

**IMPORTANT:** Lire toutes les instructions avant de démarrer les travaux.

## Manual de instrucciones - Cepillo

Pagina 23

**IMPORTANTE:** Lea todas las instrucciones antes de usar.

Original Instructions  
Guide d'utilisation  
Manual de instrucciones

## HL 850 E





---

## Contents









---

<b>Symbols</b> .....	<b>3</b>
<b>Technical data</b> .....	<b>3</b>
<b>About this manual</b> .....	<b>4</b>
<b>Safety warnings</b> .....	<b>4</b>
General power tool safety warnings.....	4
Machine-related safety instructions .....	5
<b>Functional description</b> .....	<b>6</b>
<b>Use for intended purpose</b> .....	<b>6</b>
<b>Electrical connection and operation</b> .....	<b>6</b>
Extension cable.....	6
<b>Electronic control</b> .....	<b>7</b>
<b>Machine settings</b> .....	<b>7</b>
Chip thickness adjustment .....	7
Planer heads and spiral cutters .....	7
Fitting the guides .....	8
Dust extraction and chip ejection .....	8
<b>Working with the machine</b> .....	<b>9</b>
Rebating .....	9
Chamfering .....	9
Rustic planer heads (accessories).....	9
<b>Systainer</b> .....	<b>10</b>
<b>Maintenance and service</b> .....	<b>11</b>
<b>Accessories, tools</b> .....	<b>11</b>
<b>Environment</b> .....	<b>11</b>

---

## Symbols

---

	Warning of general danger
	Read the Operating Instructions/Notes!
	Wear ear protection!
	Wear a protective mask!
	Wear protective goggles.
	Wear protective gloves.
	Disconnect from the power supply!
	Safety class II
V	volts
A	amperes
Hz	hertz
W	watt
~	alternating current
$n_0$	no load speed
rpm	revolutions per minute
"	inch

---

## Technical data

---




### HL 850 E

Wattage:	850 W
No load speed:	12 000 min <sup>-1</sup>
Plane width	3-15/64" (82 mm)
Chip thickness	0 - 9/64" (0 - 3.5 mm)
Rebate depth	unlimited
Weight	8.6 lbs (3.9 kg)

## About this manual

### Save these instructions

It is important for you to read and understand this manual. The information it contains relates to protecting your safety and preventing problems. The symbols below are used to help you recognize this information.

 <b>DANGER</b>	Description of imminent hazard and failure to avoid hazard will result in death.
 <b>WARNING</b>	Description of hazard and possible resulting injures or death.
 <b>CAUTION</b>	Description of hazard and possible resulting injuries.
<b>NOTICE</b>	Description of possible damage of the device or its surroundings.

## Safety warnings

### General power tool safety warnings



**WARNING!** Read all safety warnings, instructions, illustrations and specifications provided with this power tool. Failure to follow all instructions listed below may result in electric shock, fire and/or serious injury.

**Save all warnings and instructions for future reference.**

The term “power tool” in the warnings refers to your mains-operated (corded) power tool or battery-operated (cordless) power tool.

#### 1) Work area safety

- a) **Keep work area clean and well lit.** Cluttered or dark areas invite accidents.
- b) **Do not operate power tools in explosive atmospheres, such as in the presence of flammable liquids, gases or dust.** Power tools create sparks which may ignite the dust or fumes.
- c) **Keep children and bystanders away while operating a power tool.** Distractions can cause you to lose control.

#### 2) Electrical safety

- a) **Power tool plugs must match the outlet. Never modify the plug in any way. Do not use any adapter plugs with earthed (grounded) power tools.** Unmodified plugs and matching outlets will reduce risk of electric shock.
- b) **Avoid body contact with earthed or grounded surfaces, such as pipes, radiators, ranges and refrigerators.** There is an increased risk of electric shock if your body is earthed or grounded.

- c) **Do not expose power tools to rain or wet conditions.** Water entering a power tool will increase the risk of electric shock.
- d) **Do not abuse the cord. Never use the cord for carrying, pulling or unplugging the power tool. Keep cord away from heat, oil, sharp edges or moving parts.** Damaged or entangled cords increase the risk of electric shock.
- e) **When operating a power tool outdoors, use an extension cord suitable for outdoor use.** Use of a cord suitable for outdoor use reduces the risk of electric shock.
- f) **If operating a power tool in a damp location is unavoidable, use a residual current device (RCD) protected supply.** Use of an RCD reduces the risk of electric shock.

#### 3) Personal safety

- a) **Stay alert, watch what you are doing and use common sense when operating a power tool. Do not use a power tool while you are tired or under the influence of drugs, alcohol or medication.** A moment of inattention while operating power tools may result in serious personal injury.
- b) **Use personal protective equipment. Always wear eye protection.** Protective equipment such as a dust mask, non-skid safety shoes, hard hat or hearing protection used for appropriate conditions will reduce personal injuries.
- c) **Prevent unintentional starting. Ensure the switch is in the off-position before connecting to power source and/or battery pack, picking up or carrying the tool.** Carrying power tools with your finger on the switch or energising power tools that have the switch on invites accidents.

- d) **Remove any adjusting key or wrench before turning the power tool on.** A wrench or a key left attached to a rotating part of the power tool may result in personal injury.
- e) **Do not overreach. Keep proper footing and balance at all times.** This enables better control of the power tool in unexpected situations.
- f) **Dress properly. Do not wear loose clothing or jewellery. Keep your hair and clothing away from moving parts.** Loose clothes, jewellery or long hair can be caught in moving parts.
- g) **If devices are provided for the connection of dust extraction and collection facilities, ensure these are connected and properly used.** Use of dust collection can reduce dust-related hazards.
- h) **Do not let familiarity gained from frequent use of tools allow you to become complacent and ignore tool safety principles.** A careless action can cause severe injury within a fraction of a second.

#### 4) Power tool use and care

- a) **Do not force the power tool. Use the correct power tool for your application.** The correct power tool will do the job better and safer at the rate for which it was designed.
- b) **Do not use the power tool if the switch does not turn it on and off.** Any power tool that cannot be controlled with the switch is dangerous and must be repaired.
- c) **Disconnect the plug from the power source and/or remove the battery pack, if detachable, from the power tool before making any adjustments, changing accessories, or storing power tools.** Such preventive safety measures reduce the risk of starting the power tool accidentally.
- d) **Store idle power tools out of the reach of children and do not allow persons unfamiliar with the power tool or these instructions to operate the power tool.** Power tools are dangerous in the hands of untrained users.
- e) **Maintain power tools and accessories. Check for misalignment or binding of moving parts, breakage of parts and any other condition that may affect the power tool's operation. If damaged, have the power tool repaired before use.** Many accidents are caused by poorly maintained power tools.
- f) **Keep cutting tools sharp and clean.** Properly maintained cutting tools with sharp cutting edges are less likely to bind and are easier to control.

- g) **Use the power tool, accessories and tool bits etc. in accordance with these instructions, taking into account the working conditions and the work to be performed.** Use of the power tool for operations different from those intended could result in a hazardous situation.
- h) **Keep handles and grasping surfaces dry, clean and free from oil and grease.** Slippery handles and grasping surfaces do not allow for safe handling and control of the tool in unexpected situations.

#### 5) Service

- a) **Have your power tool serviced by a qualified repair person using only identical replacement parts.** This will ensure that the safety of the power tool is maintained.
- b) **Only use original Festool parts for repair and maintenance.** The use of incompatible accessories or spare parts can result in electric shocks or other injuries.

#### Machine-related safety instructions

- **Wait for the cutter to stop before setting the tool down.** An exposed rotating cutter may engage the surface leading to possible loss of control and serious injury.
- **Hold the power tool by insulated gripping surfaces, because the cutter may contact its own cord.** Cutting a “live” wire may make exposed metal parts of the power tool “live” and could give the operator an electric shock.
- **Use clamps or another practical way to secure and support the workpiece to a stable platform.** Holding the workpiece by your hand or against the body leaves it unstable and may lead to loss of control.
- **Festool electric power tools should only be installed in work benches specially designed by Festool.** The electric power tool may become unsafe and cause serious accident if installed in benches from other manufacturers or self-manufactured work benches.
- Check the plug and the cable regularly and should either become damaged, in order to avoid a hazard, have them replaced by an authorised after-sales service workshop.
- **Wear suitable personal protection equipment:**

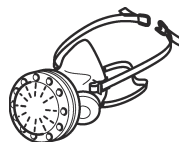


Wear protection to reduce the risk of damaging your hearing; Protective goggles; Face mask to reduce the risk of inhaling harmful dust; Protective gloves when handling tools and coarse materials.

**⚠️ WARNING** Various dust created by power sanding, sawing, grinding, drilling and other construction activities contains chemicals known (to the State of California) to cause cancer, birth defects or other reproductive harm. Some examples of these chemicals are:

- Lead from lead-based paints,
- Crystalline silica from bricks and cement and other masonry products,
- Arsenic and chromium from chemically-treated lumber.

The risk from these exposures varies, depending on how often you do this type of work.

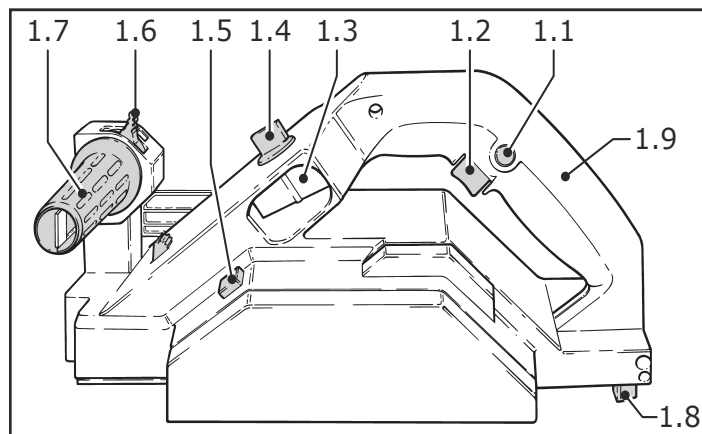


To reduce your exposure to these chemicals work in a well ventilated area and use approved safety equipment, such as dust masks that are specially designed to filter out microscopic particles.

**⚠️ WARNING** TO REDUCE THE RISK OF INJURY, USER MUST READ INSTRUCTION MANUAL.

### Functional description

- 1.1 Interlocking safety
- 1.2 On/Off switch
- 1.3 Shavings ejector
- 1.4 Shift lever for shavings ejector
- 1.5 Spindle stop
- 1.6 Interlock for cutting depth adjustment
- 1.7 Handle/Cutting depth adjustment
- 1.8 Parking device
- 1.9 Handle



### Use for intended purpose

The HL 850 E planer together with the available Festool accessories is designed for processing wood, soft plastics and similar materials.

Usage permitted only with planer heads designed for maximum speed of 15000 min<sup>-1</sup>.

**⚠️ WARNING** The user shall be liable for damages and accidents due to incorrect use.

### Electrical connection and operation

The supply voltage must comply with the voltage given on the ratings plate.

For your safety the machine is equipped with an interlocking safety (1.1). In order to run the planer the safety must be activated first. Pressing the safety activates On/Off switch (1.2).

#### Extension cable

If an extension cable is required, it must have a sufficient cross-section so as to prevent an excessive drop in voltage or overheating. An excessive drop in voltage reduces the output and can lead to failure of

the motor. The table shows the correct size to use, depending on cord length and tool's ampere rating. Use only U.L. and CSA listed extension cables. Never use two extension cables together. Instead, use one long one.

Total Extension Cord Length (feed)	25	50	100	150
Cord size (AWG)	18	16	14	12

**Note:** The lower the A.W.G. number, the stronger the cable.

## Electronic control

The devices are fitted with a full-wave electronic control with the following functions:

### Smooth start-up

The electronically-controlled smooth start-up ensures that the machine starts without jolts.

### Idling speed

The electronic circuit limits the idling speed. This means that the noise level also remains low during idling.

### Constant speed

The speed of the planer shaft is electronically regulated to a constant value, thus also providing a constant cutting speed under load.

## Temperature protection

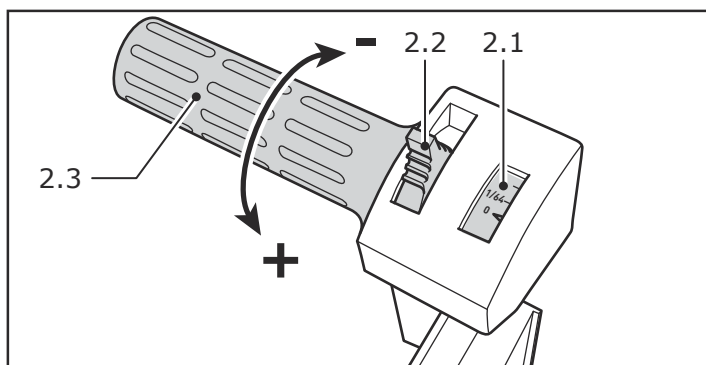
Extreme overload in continuous running will cause the motor to overheat. An electronic temperature monitoring device is fitted to provide protection against overheating (burning-out of the motor). The electronic safety device switches off the motor before a critical motor temperature is reached. After a cooling period of approx. 3-5 minutes, the machine is once again ready for use at full load. If the machine is kept running (idling), the cooling period is reduced. Do not work with the planer if the electronic control is defective, since this may lead to excessive speeds. A defect in the electronic control is indicated by the absence of a smooth run-up, a higher noise level at idle or the fact that no speed control is possible.

## Machine settings

**! WARNING** Always disconnect the plug from the power supply before making any adjustments to the machine or installing or removing any accessory!

### Chip thickness adjustment

After the interlock (2.2) has been released by pushing it backward, the chip thickness can be infinitely adjusted between 0 and 9/64" (3.5 mm) by turning the supplementary handle (2.3). The chip thickness which has been set can be read in the scale window (2.1). One division corresponds to a chip removal of 1/64" (0.1 mm).



If a constant chip thickness is to be set the interlock must be pressed forward again after the chip thickness has been adjusted. If the chip thickness has to be varied during operation (fitting work) the interlock should be left open.

The supplementary handle can be turned beyond the 0 mark to reach the P (= Park) position, in which the spiral cutter is completely retracted. This is, however, not the case with the rustic planer heads.

**! WARNING** Always ensure, therefore, that when setting the machine down on a surface the parking device (1.8) at the end of the planer platen is correctly extended.

### Planer heads and spiral cutters

**! WARNING** Use only cutters which are sharp and undamaged. Blunt cutters increase the danger of kick-back and reduce the planing quality obtained.

**! WARNING** Always pull the mains plug out of the socket before changing planer heads and blades.

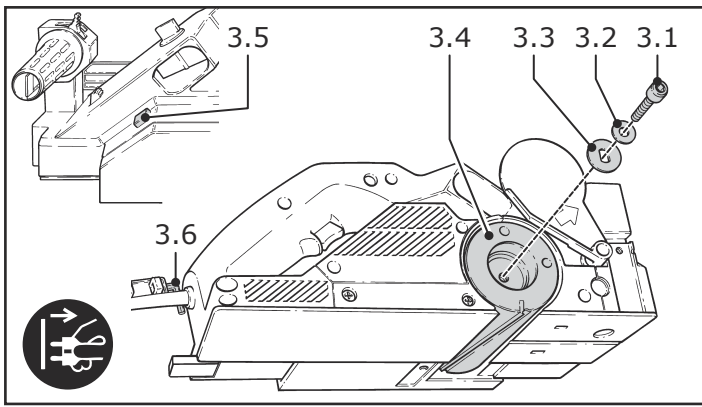
The planer is equipped with planer head HK 82 SD as standard series. The planer head has inclined, fitted cutters, which is why the cutters cannot be reground.

#### a) Changing the planer head

Use the spindle stop (3.5) to lock the planer shaft and unscrew the allen bolt (3.1) from the planer head (3.4) using the allen key (3.6). Remove the planer head from the planer shaft.

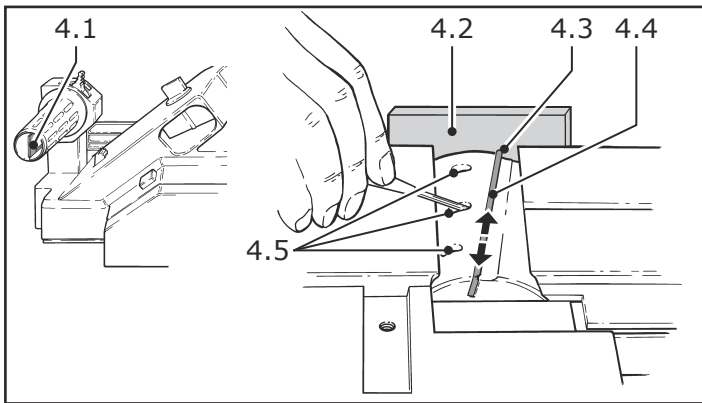
Before fitting the new planer head clean the planer shaft to remove any dust residues.

The planer head can be fitted to the planer shaft in reverse order using the clamping flange (3.3), washer (3.2) and allen bolt (3.6).



### b) Changing the planer blade

Use the allen key (4.1) to loosen the three allen bolts (4.5) in the planer head until the planer blade can be removed.



Before the new blade is fitted the cutter slot must be cleaned. This ensures that the cutter is automatically correctly adjusted after fitting.

Push the new planer blade (4.4) into the groove in the tool carrier with the labelled side facing towards the rear planer platen. Before you retighten the clamping screws use a ruler (4.2) to align the blade in such a way that its face lies flush with the front and rear planer platen (4.3). Finally tighten first the centre clamping screw and then two outer clamping screws

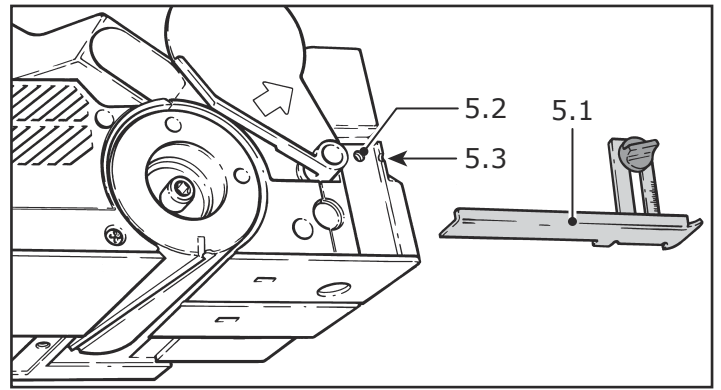
**i** If a spiral blade is protruding outwards or inwards on the front, this may result in an incorrect rebate width.

### Fitting the guides

The scope of delivery of the planer includes a rebating depth guide and a parallel guide.

#### a) Rebating depth guide

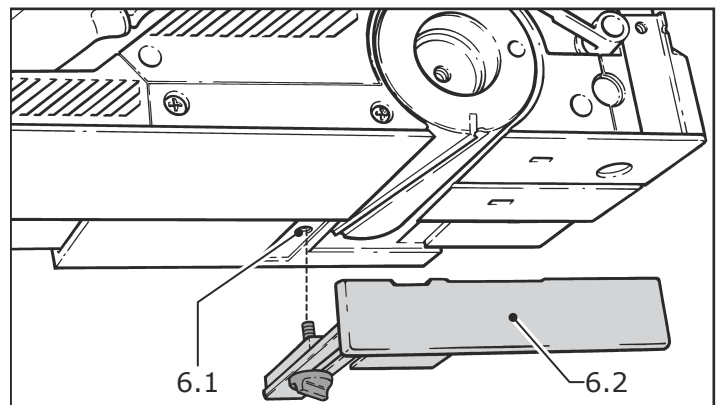
The rebating depth guide (5.1) is mounted in the threaded hole (5.2) on the front right of the machine. The stop can be infinitely adjusted to between 0 and 1-3/16" (30 mm) in accordance with the scale. The rebating depth which has been set can be read against the notch (5.3) in the housing.



#### b) Parallel guide

The parallel guide (6.2) is fitted in the threaded hole (6.1) next to the rear planer platen.

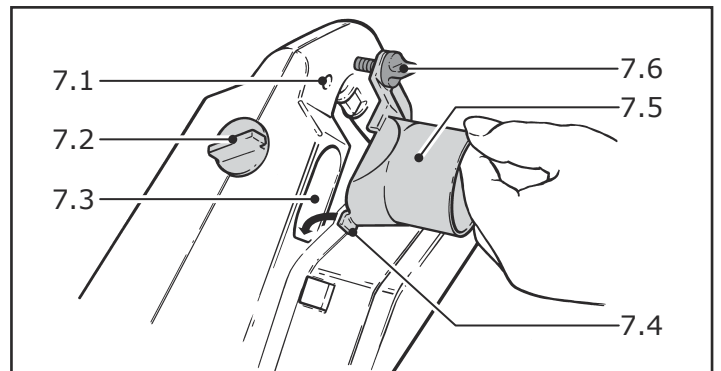
This same point can be used to mount the swivelling angle guide WA-HL, available as an accessory.



### Dust extraction and chip ejection

The planer is equipped as standard with a connection for chip and dust extraction.

The shift lever (7.2) can be used to select chip ejection (7.3) via the left- hand or right-hand ejector aperture. Both these ejector apertures allow the fitting of either a chip collection bag SB-HL or a Festool 36 mm dia. suction hose.



The chip collection bag SB-HL is connected by means of an adapter (7.5). The adapter (included in the scope of delivery of the SB-HL) is fitted by inserting its lug (7.4) into the lower edge of the chip ejector and is secured by means of the screw (7.6) in the threaded hole (7.1). The 36 mm dia. suction



hose can be fitted either by clamping it directly into the chip ejector aperture or by inserting it into the adapter in the SB-HL.

**⚠ WARNING** If used with materials which produce hazardous dusts the electric tool should be connected to a suitable extractor.

### Working with the machine

**⚠ WARNING** The to-be-planed surface must be free of metallic objects. Never plane over screws, nails, etc.

**⚠ WARNING** The machine must always be held with both hands by the designated handles [1.7], [1.9].

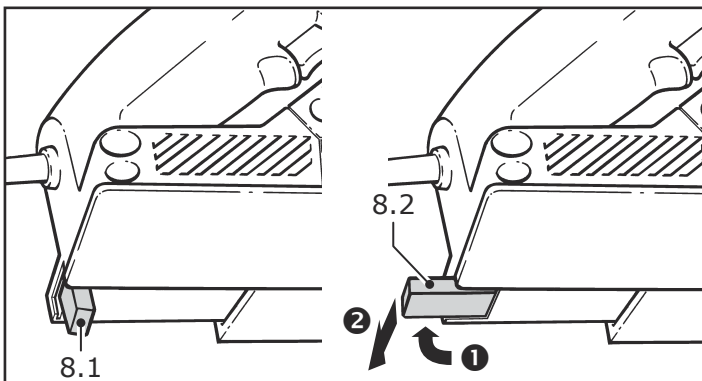
**⚠ WARNING** When using the rustic planer heads (HK 82 RF, HK 82 RG, HK 82 RW) work with setting 0 since the rustic cutters automatically project 1/16" (2 mm) beyond the planer platen.

Place the front platen onto the workpiece but do not allow the planer head to come into contact with the wood. Switch on the planer and bring it into contact with the workpiece by pressing lightly on the handle (1.9).

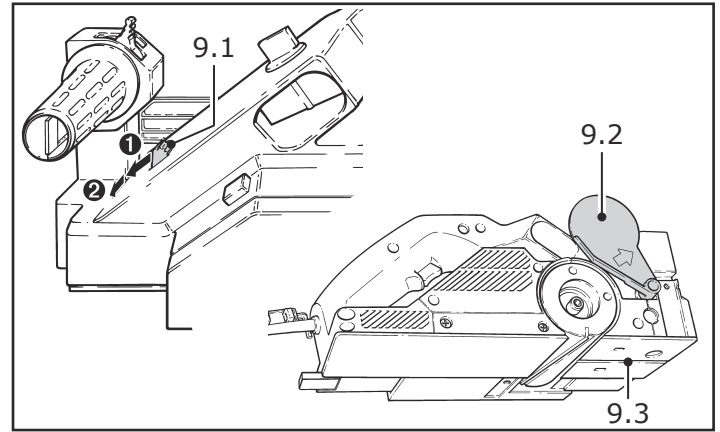
The following basic rule applies for planing wood: Optimum surface quality will be obtained by pressing on the front planer platen when starting to plane and on the rear planer platen (end of workpiece) when continuing or finishing planing.

If the parking device should be found obstructive during special planing work it can be swung back out of the way and locked in position (8.2).

**⚠ WARNING** Always ensure, that when setting the machine down on a surface the parking device is correctly extended (8.1).



### Rebating



The planer head is supported by a bearing on one side only, thus allowing rebates of unlimited size to be cut with the planer. For this purpose, the protective cover (9.2) must be folded away. To do this, press the lever (9.1) first forwards and then to the left. This raises the protective cover over the planer head to the machine's housing, thus exposing the face of the planer head.

At the end of work the protective cover automatically returns to its position over the planer head.

**i** If the planer blade protrudes slightly towards either the inner or outer sides of the planer head, this will lead to a distorted cut width while rebating.

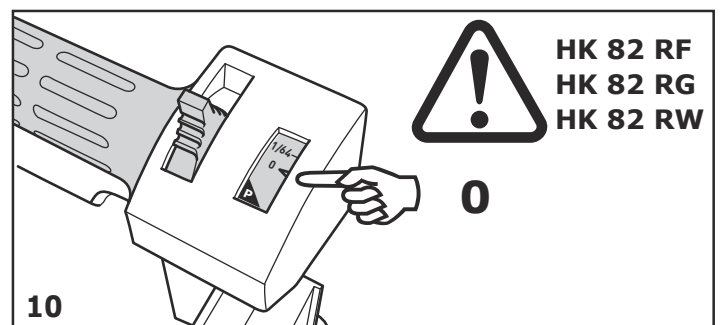
### Chamfering

The front planer platen is equipped with a 90° V groove (9.3) to allow the chamfering of workpiece edges. This V groove is 5/64" (2 mm) deep, thus producing a 5/64" edge chamfer with the chip thickness setting of 0.

### Rustic planer heads (accessories)

The planer can also be used to create rustic surfaces. Three rustic planer heads are available for this purpose:

- HK 82 RF: creates a surface with a coarse structure.
- HK 82 RG: creates a surface with a fine structure.
- HK 82 RW: creates an uneven, wavy surface.



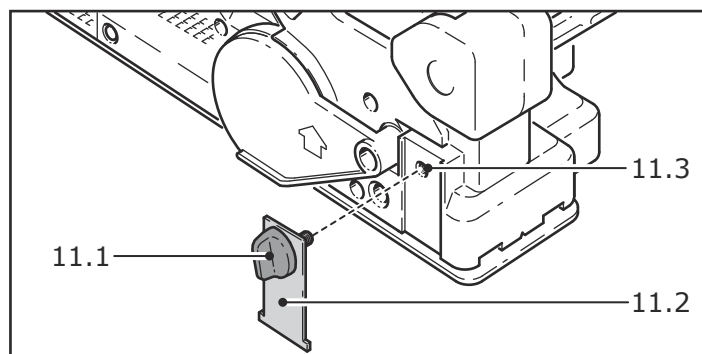
The blades on the rustic planing head (HK 82 RF, HK 82 RG, HK 82 RW) protrude approx. 1/16" (1.5 mm) over the planer foot. When using rustic planing heads on the planer, set the cutting depth to 0. Otherwise there is a risk that the blades on the head will cut into the planer foot and destroy the planer.

The cutting depth limiter (11.2) prevents the cutting depth from increasing inadvertently while planing work is performed.

Always attach the cutting depth limiter to the planer before working with a rustic planing head:

- Set the cutting depth on the planer to 0,

- Attach the cutting depth limiter by inserting the rotary knob (11.1) through the limiter and into the threaded hole (11.3).



## Systainer

Many Festool products are shipped in a unique system container, called "Systainer". This provides protection and storage for the tool and accessories. The Systainers are stackable and can be interlocked together. They also can be interlocked atop Festool CT dust extractors.

To open the Systainer:

- Turn the T-loc (12.1) to the position

To lock the Systainer:

- Turn the T-loc (12.1) to the position

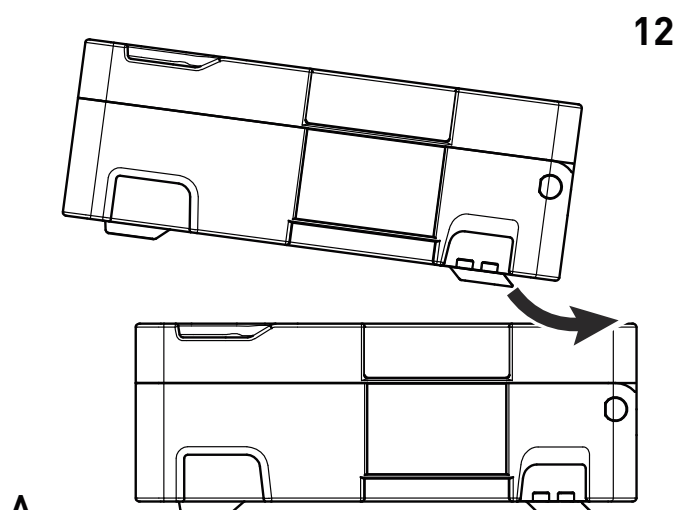
To connect two Systainers:

- Place one Systainer on the top of the other (Fig. 12 A).

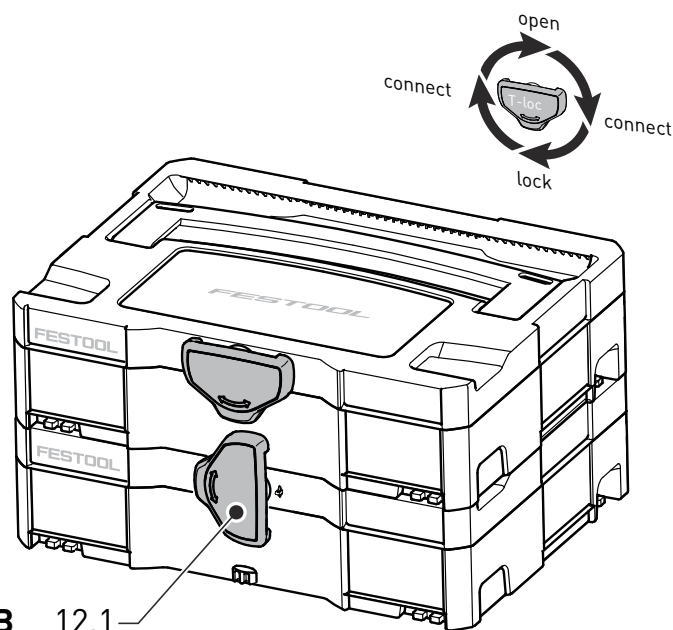
- Turn the T-loc (12.1) to the position or (Fig. 12 B).

The Systainers are connected and locked.

- ▶ A new generation Systainer is connectable on top of a previous generation Systainer by the four latches of the previous Systainer.



A



B 12.1

---

## Maintenance and service

---

**⚠ WARNING** Any maintenance or repair work that requires opening of the motor or gear housing should only be carried out by an authorised Customer Service Centre (name supplied by your dealer)! Maintenance or repair work carried out by an unauthorised person can lead to the wrong connection of the power cord or other components, which in turn can lead to accidents with serious consequences.

**⚠ WARNING** To prevent accidents, always remove the plug from the power supply socket before carrying out any changes or maintenance work on the tool! Do not use compressed air to clean the electrical tool! Do not try to clean parts inside the tool in this way, as you could let foreign objects in through the openings of the tool housing.

**⚠ CAUTION** Certain cleaning agents and solvents are harmful to plastic parts. Some of these include, but are not limited to: Gasoline, Acetone, Methyl Ethyl Ketone (MEK), Carbonyl Chloride, cleaning solutions containing Chlorine, Ammonia, and household cleaners containing Ammonia.

If the power cord is damaged, the cord must be replaced at manufacturer or service workshops.

The planer plate is made of a high-quality magnesium aluminium alloy. Any corrosion which may occur can be removed by buffing using a fine elastic fibre mat „V lies quality“ (grit S800). To prevent corrosion of the chromated planer head any cleansant used must have a pH value of between 4.5 and 8. Keep the ventilation slots in the motor housing clean and free of obstructions at all times to ensure an adequate circulation of air.

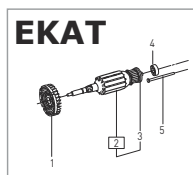
The planer is fitted with special motor brushes with an automatic cut-out. When the brushes become worn the power supply is shut off automatically and the planer comes to a standstill.

### To clean the chip collection opening:

- Remove the adapter AD-HL (7-5) (if applicable).
- Empty the adapter AD-HL, remove any obstructions.
- Remove any chips jammed into the chip collection opening, if necessary clean the machine with a resin solvent.
- In case of extreme contamination, remove the planer head (**chapter Planer heads and spiral cutters**) to clean the opening leading to the chip ejection.
- Attach the dust extractor and vacuum the chip ejection openings.



Customer service and repair only through manufacturer or service workshops: Please find the nearest address at: [www.festoolusa.com/service](http://www.festoolusa.com/service)



Use only original Festool spare parts! No. at: [www.festoolusa.com/service](http://www.festoolusa.com/service)

---

## Accessories, tools

---

**⚠ WARNING** For safety reasons, only use original Festool accessories and tools!

Use only original Festool accessories and Festool consumable material intended for this machine. These components are designed specifically for this machine. Using accessories and consumable material from other suppliers will most likely affect the quality of your results and limit warranty claims. Machine wear or your own personal workload may increase depending on the application. Protect yourself and your machine, and preserve your warranty claims by always using original Festool accessories and Festool consumable material!

Three rustic planer heads are also available as accessories. The planer head HK 82 RG provides a coarse rustic texture and the HK 82 RF a fine rustic texture. The planer head HK 82 RW provides an irregular undulated surface. All rustic planer heads can only be fitted with the HSS spiral cutters provided for this purpose. No interchange is possible.

The accessory and tool order number can be found in your Festool catalogue or on the Internet under [www.festoolusa.com](http://www.festoolusa.com).

---

## Environment

---

### Do not dispose of the device as domestic waste!

Dispose of machines, accessories and packaging at an environmentally responsible recycling centre. Observe the respective national regulations.

## Table des matières

<b>Symbole</b> .....	12
<b>Caractéristiques techniques</b> .....	12
<b>À propos de ce manuel</b> .....	13
<b>Règles de sécurité</b> .....	13
Consignes générales de sécurité pour outils électroportatifs .....	13
Consignes de sécurité spécifiques à la machine .....	15
<b>Description fonctionnelle</b> .....	16
<b>Utilisation conforme</b> .....	16
<b>Raccordement électrique et mise en service</b> ..	16
Câble de rallonge .....	16
<b>Réglage électronique</b> .....	16
<b>Réglages de la machine</b> .....	17
Réglage de la prise de copeaux .....	17
Porte-outils et couteau hélicoïdal .....	17
Montage des butées .....	18
Aspiration et éjection de copeaux .....	18
<b>Travailler avec la machine</b> .....	18
Feuillurer .....	19
Chanfreiner .....	19
Porte-outils rustiques (accessoires) .....	19
<b>Systemair</b> .....	20
<b>Entretien et maintenance</b> .....	20
<b>Accessoires, outils</b> .....	21
<b>Environnement</b> .....	21

## Symbole



Avertissement de danger



Lire les instructions / les remarques !



Munissez-vous de casques anti-bruit !



Portez un masque de protection respiratoire !



Portez des lunettes de protection !



Porter des gants de protection !



Débrancher la prise secteur !



Classe de protection II

V Volt

A Ampère

Hz Hertz

W Watt

~ Tension alternative

$n_0$  Vitesse de rotation à vide

tr/min tours par minute

" pouces

## Caractéristiques techniques




### HL 850 E

Puissance absorbée	850 W
Vitesse à vide	12 000 min <sup>-1</sup>
Largeur de rabotage	3-15/64" (82 mm)
Prise de copeaux	0 - 9/64" (0 - 3.5 mm)
Profondeur de feuillure	illimitée
Poids	8.6 lbs (3.9 kg)

## À propos de ce manuel


### Conservez ces instructions

Il est important pour vous de lire et de comprendre ce manuel. Les informations qu'il contient, se rapporte à la protection **de votre sécurité et de prévention des problèmes**. Les symboles suivants sont utilisés pour vous aider à reconnaître cette information.

 <b>DANGER</b>	Description du risque imminent et l'incapacité à éviter tout risque qui peut entraîner la mort.
 <b>AVERTISSEMENT</b>	Description des dangers possibles et des blessures qui en résultent ou la mort.
 <b>ATTENTION</b>	Description des dangers et des éventuelles blessures qui en résultent.
<b>AVIS</b>	Description des dommages potentiels sur l'appareil ou dans son environnement.

## Règles de sécurité

### Consignes générales de sécurité pour outils électroportatifs

 **AVERTISSEMENT !** Veuillez lire toutes les consignes de sécurité, instructions, images et caractéristiques techniques avec lesquels cet outil électrique est fourni. Des négligences relatives aux consignes de sécurité et aux instructions peuvent occasionner un choc électrique, un incendie et/ou des blessures graves.

**Conserver toutes les consignes de sécurité et instructions pour une référence future.** Le terme «outil électrique» utilisé dans les consignes de sécurité se rapporte aux outils électroportatifs fonctionnant sur secteur (avec câble) et aux outils électroportatifs fonctionnant sur accumulateurs (sans câble).

### 1 SÉCURITÉ DU POSTE DE TRAVAIL

- Veillez à ce que la zone de travail soit propre et bien éclairée.** Un poste de travail en désordre ou mal éclairé peut entraîner des accidents.
- Ne vous servez pas de l'outil électroportatif dans un environnement où il y a un risque d'explosion dû à la présence de liquides inflammables, de gaz ou de poussières.** Les outils électroportatifs peuvent générer des étincelles susceptibles d'enflammer la poussière ou les vapeurs.
- Éloignez les enfants et d'autres personnes pendant l'utilisation de l'outil électroportatif.** Si vous êtes distrait, vous pouvez perdre le contrôle de l'outil.

### 2 SÉCURITÉ ÉLECTRIQUE

- Le connecteur de l'outil électroportatif doit correspondre à la prise électrique. Le connecteur ne doit être modifié d'aucune façon. N'utilisez pas d'adaptateur avec des outils électroportatifs mis à la terre.** Des connecteurs intacts et des prises correspondantes diminuent le risque d'un choc électrique.
- Évitez tout contact avec des surfaces mises à la terre telles que des tuyaux, chauffages, cuisinières et réfrigérateurs.** Un risque élevé de choc électrique existe si votre corps est relié à la terre.
- Protégez les outils électroportatifs de la pluie et de l'humidité.** L'infiltration d'eau dans un outil électroportatif augmente le risque de choc électrique.
- Ne détournez pas l'utilisation du câble de raccordement pour porter l'outil électroportatif, l'accrocher ou pour tirer le connecteur de la prise. Éloignez le câble de la chaleur, de l'huile, de bords tranchants ou de pièces en mouvement.** Des câbles de raccordement endommagés ou enchevêtrés augmentent le risque de choc électrique.
- Si vous travaillez avec un outil électroportatif à l'extérieur, utilisez uniquement des rallonges prévues pour l'extérieur.** L'utilisation d'un câble prévu pour l'extérieur diminue le risque d'un choc électrique.

- f) **Utilisez un disjoncteur à courant de défaut quand le fonctionnement de l'outil électroportatif en environnement humide ne peut pas être évité.** L'utilisation d'un disjoncteur à courant de défaut diminue le risque d'un choc électrique.

### 3 SÉCURITÉ DES PERSONNES

- a) **Soyez attentif à ce que vous faites, faites preuve de bon sens lorsque vous travaillez avec l'outil électroportatif. N'utilisez pas l'outil électroportatif si vous êtes fatigué ou si vous êtes sous l'influence de drogues, de l'alcool ou de médicaments.** Un moment d'inattention lors de l'utilisation de l'outil électroportatif peut entraîner des blessures graves.
- b) **Portez un équipement de protection individuelle et des lunettes de protection en permanence.** Le port d'un équipement de protection individuelle tel que masque contre la poussière, chaussures de sécurité antidérapantes, casque ou protection auditive, en fonction du type et de l'utilisation de l'outil électroportatif, diminue le risque de blessures.
- c) **Évitez toute mise en service involontaire. Assurez-vous que l'outil électroportatif est déconnecté avant de le raccorder à l'alimentation électrique et/ou à la batterie, avant de le soulever ou de le porter.** Si, en portant l'outil électroportatif, vous avez le doigt sur l'interrupteur ou si vous raccordez l'appareil connecté à l'alimentation électrique, cela peut entraîner des accidents.
- d) **Retirez les outils de réglage ou les clés anglaises avant de connecter l'outil électroportatif.** Un outil ou une clé qui se trouve dans une partie en rotation de l'outil électroportatif peut entraîner des blessures.
- e) **Évitez toute position de travail anormale. Veillez à maintenir une position stable et un bon équilibre à tout moment.** Vous pourrez ainsi à tout moment contrôler l'outil électroportatif dans des situations inattendues.
- f) **Portez des vêtements adaptés. Ne portez pas de vêtements amples ou de bijoux. Éloignez vos cheveux et vos vêtements des pièces en mouvement.** Des vêtements amples, des bijoux ou des cheveux longs pourraient se prendre dans les pièces en mouvement.
- g) **Si des dispositifs d'aspiration et de récupération des poussières peuvent être montés, raccordez-les et utilisez-les correctement.** L'utilisation d'une aspiration des poussières peut diminuer les dangers dus aux poussières.

- h) **Ne vous croyez pas faussement en sécurité et n'enfreignez pas les règles de sécurité destinées aux outils électroportatifs, même si vous maîtrisez l'outil électroportatif après de multiples utilisations.** Un manque d'attention peut en un quart de seconde entraîner de graves blessures.

### 4 UTILISATION ET TRAITEMENT DE L'OUTIL ÉLECTROPORTATIF

- a) **Ne surchargez pas l'outil électroportatif. Utilisez l'outil électroportatif destiné à votre travail.** L'outil électroportatif adapté vous permet de travailler mieux et avec plus de sécurité dans la plage de puissance indiquée.
- b) **N'utilisez aucun outil électroportatif dont l'interrupteur serait défectueux.** Un outil électroportatif qui ne peut plus être mis en marche ou arrêté est dangereux et doit être réparé.
- c) **Débranchez le connecteur de la prise de courant et/ou retirez une batterie amovible avant d'effectuer des réglages sur l'appareil, de remplacer des pièces d'outil ou de déposer l'outil électroportatif.** Cette mesure de précaution empêche un démarrage involontaire de l'outil électroportatif.
- d) **Rangez toujours les outils électroportatifs inutilisés hors de portée des enfants. Ne laissez aucune personne à laquelle vous ne faites pas confiance ou qui n'a pas lu ces consignes se servir de l'outil électroportatif.** Les outils électroportatifs sont dangereux lorsqu'ils sont utilisés par des personnes inexpérimentées.
- e) **Prenez soin de vos outils électroportatifs et outils. Vérifiez que les parties mobiles fonctionnent sans problème, qu'elles ne coincent pas et qu'il n'y a pas de parties cassées ou endommagées qui pourraient entraver le bon fonctionnement de l'outil électroportatif. Faites réparer les parties endommagées avant d'utiliser l'outil électroportatif.** De nombreux accidents sont dus à un mauvais entretien des outils électroportatifs.
- f) **Maintenez les outils de coupe affûtés et propres.** Des outils de coupe entretenus avec soin dotés de bords de coupe affûtés se coincent moins et sont plus faciles à utiliser.
- g) **Utilisez l'outil électroportatif, les outils, etc. en respectant ces instructions. Tenez compte des conditions de travail et de la tâche à effectuer.** L'utilisation des outils électroportatifs pour d'autres applications que celles prévues peut entraîner des situations dangereuses.

- h) **Veillez à ce que les poignées et surfaces des poignées soient sèches, propres et exemptes d'huile ou de graisse.** Des poignées et surfaces de poignées glissantes ne permettent pas une utilisation en toute sécurité ni un contrôle de l'outil électroportatif dans des situations imprévues.

## 5 SERVICE

- a) **Faites réparer votre outil électroportatif uniquement par un personnel qualifié ; les réparations doivent être effectuées avec des pièces d'origine uniquement,** afin de garantir la fiabilité de l'outil électroportatif.
- b) **Pour la réparation et l'entretien, n'utilisez que des pièces d'origine.** L'utilisation d'accessoires ou de pièces détachées non adaptés risque de provoquer une électrocution ou des blessures.

### Consignes de sécurité spécifiques à la machine

- **Attendez jusqu'à l'immobilisation complète du couteau avant de poser l'outil.** Lorsqu'il est dégagé, le couteau en rotation peut s'accrocher à la surface et provoquer une perte de contrôle ainsi que des blessures graves.
- **Tenez l'outil électroportatif par les parties isolées car le couteau peut entrer en contact avec son propre câble de raccordement.** Le contact avec un câble sous tension peut également mettre des pièces métalliques de l'appareil sous tension et provoquer une décharge électrique.
- **Fixez et bloquez la pièce sur un support stable au moyen de serre-joints ou d'autres accessoires.** Si vous maintenez la pièce uniquement avec la main ou la bloquez uniquement contre votre corps, elle reste instable, ce qui peut conduire à une perte de contrôle.
- **Les outils électroportatifs Festool doivent uniquement être montés sur des tables de travail prévues à cette fin par Festool.** Le montage sur des tables de travail d'autres marques ou des tables fabriquées par l'utilisateur peut compromettre la sécurité de fonctionnement de l'outil électroportatif et provoquer de graves accidents.
- Contrôlez régulièrement la fiche et le câble, et, en cas d'endommagement, faites les remplacer par un atelier de service après-vente agréé afin d'éviter tout danger.

- **Portez votre propre équipement de protection individuelle :**



protection auditive pour limiter les risques de dégradation de l'ouïe ; lunettes de protection ; masque pour limiter le risque de respirer des poussières nocives ; gants pour la manipulation des outils et des matériaux bruts.

**⚠️ AVERTISSEMENT** Certaines poussières créées par le ponçage mécanique, le sciage, le meulage, le perçage et autres activités reliées à la construction contiennent des substances chimiques connues (dans l'État de la Californie) comme pouvant causer le cancer, des anomalies congénitales ou représenter d'autres dangers pour la reproduction. Voici quelques exemples de telles substances:

- plomb provenant de peintures à base de plomb,
- silice cristallisée utilisée dans les briques, le ciment et autres matériaux de maçonnerie, et
- arsenic et chrome du bois d'œuvre traité avec un produit chimique.

Le risque d'exposition à de tels produits varie selon la fréquence à laquelle vous faites ce genre de travail.

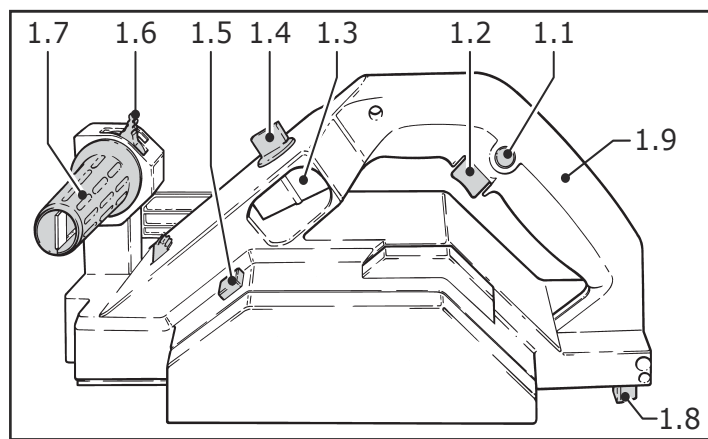


Pour réduire les risques d'exposition à ces substances chimiques: travaillez dans un endroit adéquatement ventilé et utilisez un équipement de sécurité approuvé, tel que masques antipoussières spécialement conçus pour filtrer les particules microscopiques.

**⚠️ AVERTISSEMENT** POUR RÉDUIRE LE RISQUE DE DOMMAGES, L'UTILISATEUR DOIT LIRE LE MANUEL D'INSTRUCTION.

## Description fonctionnelle

- 1.1 Système de verrouillage
- 1.2 Interrupteur marche/arrêt
- 1.3 Bouche d'éjection des copeaux
- 1.4 Levier commutateur pour l'éjection de copeaux
- 1.5 Bloquez l'arbre du rabot
- 1.6 Blocage pour réglage de la profondeur de coupe
- 1.7 Poignée/Réglage de la profondeur de coupe
- 1.8 Protège-pied
- 1.9 Poignée



### Utilisation conforme

Le rabot HL 850 E est conçu pour le travail du bois, des plastiques tendres et matériaux similaires, avec les accessoires Festool disponibles.

Utilisation uniquement autorisée avec des porte-outils conçus pour une vitesse maximale de 15 000 min<sup>-1</sup>.

**⚠️ AVERTISSEMENT** L'utilisateur est tenu responsable de tous dommages et accidents éventuels en cas d'utilisation non conforme.

### Raccordement électrique et mise en service

La tension du réseau doit correspondre à la tension indiquée sur la plaque signalétique.

Pour assurer votre sécurité, la machine est équipée d'un système de verrouillage (1.1). Le fonctionnement du rabot est uniquement possible après activation du dispositif de sécurité. Une pression sur le dispositif de sécurité active l'interrupteur marche/arrêt (1.2).

## Câble de rallonge

Si une rallonge électrique est nécessaire, elle doit présenter une section suffisante afin d'éviter une chute de tension excessive ou une surchauffe. Une chute de tension excessive réduit la puissance et peut entraîner la destruction du moteur. Le tableau ci-contre indique le calibre des rallonges recommandées en fonction de longueur et de l'intensité nominale de l'outil. Utilisez exclusivement des rallonges recommandées par U.L. et CSA. N'utilisez jamais deux rallonges branchées l'une après l'autre, mais remplacez-les par une rallonge plus longue.

Longueur totale rallonge (pieds)	25	50	100	150
Section du câble (AWG)	18	16	14	12

**Remarque:** plus le numéro A.W.G. est petit, plus la section du câble est grande.

## Réglage électronique

Les appareils sont équipés d'une électronique ayant les fonctions suivantes:

### Démarrage progressif

Le démarrage progressif assure un démarrage sans à-coups.

### Vitesse à vide

L'électronique limite la vitesse de rotation à vide. Par conséquent, le niveau de bruit est également minime en marche à vide.

### Vitesse de rotation constante

La vitesse de rotation de l'axe du rabot est maintenue constante par un système électronique. Ceci assure une vitesse de coupe constante même sous charge.

### Sécurité contre les surchauffes

Une grande utilisation en continu entraîne un échauffement du moteur. Une sécurité électronique contre les surchauffes (brûlures du moteur) est incluse dans la machine. Avant d'atteindre la température critique, ce dispositif électronique coupe le moteur. Après un refroidissement de l'ordre de 3 à 5 minutes, la machine est de nouveau prête au fonctionnement. Le temps de refroidissement est réduit en laissant tourner la machine à vide.

Ne travaillez pas avec le rabot si l'électronique est défectueuse. Cela peut entraîner une vitesse de rotation trop élevée. Une électronique défectueuse peut



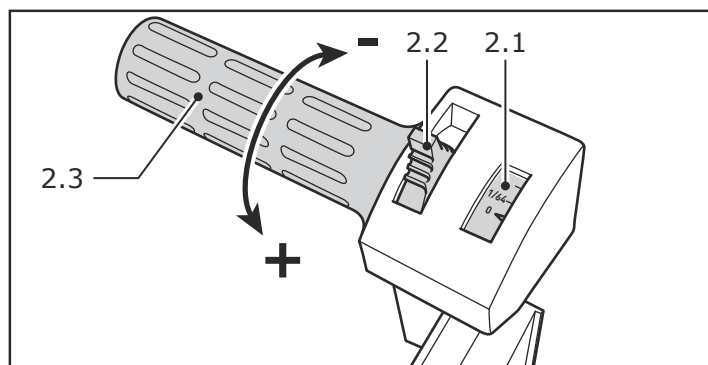
être constatée en l'absence de démarrage progressif ou s'il existe un bruit sourd lors de la rotation à vide.

## Réglages de la machine

**⚠ AVERTISSEMENT** Débranchez toujours la fiche de la source de courant avant d'entreprendre quelque réglage que ce soit sur la machine ou avant de monter/démonter un accessoire!

### Réglage de la prise de copeaux

Après avoir débloqué le système de verrouillage (2.2) en le poussant en arrière, il est possible de régler en continu la prise de copeaux sur une plage de 0 à 9/64" (3,5 mm) en tournant la poignée supplémentaire (2.3). L'échelle graduée (2.1) indique la valeur de profondeur de coupe réglée. Un intervalle de graduation correspond à une prise de copeaux de 1/64" (0,1 mm).



Si l'on veut garder une prise de copeaux constante, remettre le verrouillage en place après avoir effectué le réglage. Si des réglages sont nécessaires au cours des travaux (travaux d'adaptation), laissez le verrouillage ouvert.

En tournant la poignée supplémentaire au-delà de 0, on obtient la position P = position de repos. Le couteau hélicoïdal est ainsi entièrement plongé dans le rabot. Ceci n'est pas le cas avec l'utilisation des porte-outils à effet rustique.

**⚠ AVERTISSEMENT** Pour cette raison, veillez à ce que le protège-pied (1.8) situé au bout de la semelle soit toujours correctement rabattu.

### Porte-outils et couteau hélicoïdal

**⚠ AVERTISSEMENT** Utilisez uniquement des fers correctement affûtés et non endommagés. En effet, des fers émoussés sont susceptibles de provoquer des reculs de l'outil et de donner lieu à un résultat de travail insatisfaisant.

**⚠ AVERTISSEMENT** Avant de changer les porte-outils et les couteaux, débranchez systématiquement la fiche secteur de la prise de courant.

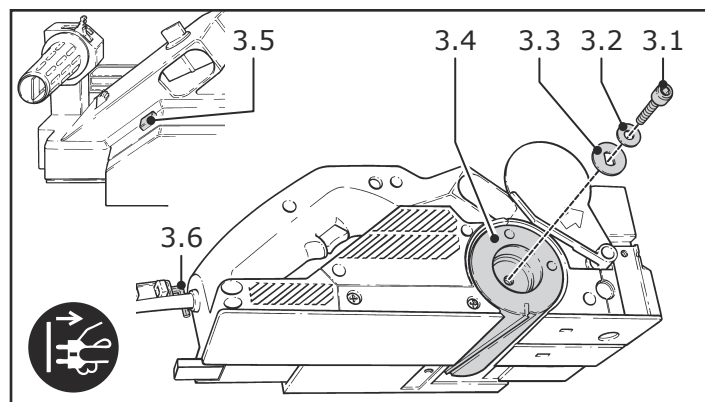
Le rabot est équipé en série du porte-outil HK 82 SD. Le porte-outil possède un couteau en biais. Tout réaffûtage est donc impossible.

#### a) Changement du porte-outil

Bloquez l'arbre du rabot (3.5) et débloquez la vis à six pans creux (3.1) sur le porte-outil (3.4) avec la clé mâle normale d'ouverture (3.6). Retirez le porte-outil de l'arbre.

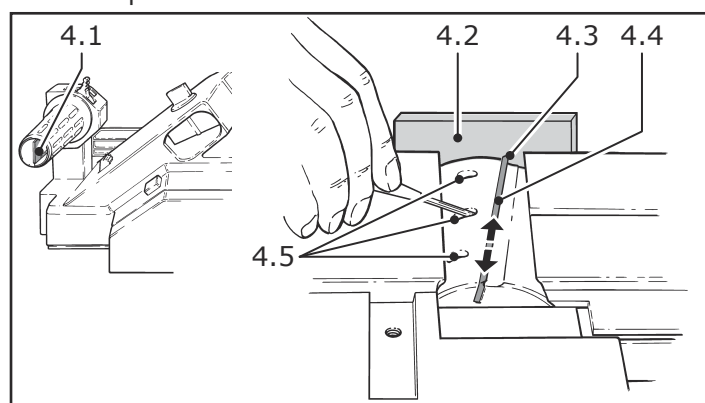
Avant le montage du nouveau porte-outil, vérifiez l'absence de poussières éventuelles sur l'arbre.

Le nouveau porte-outil est fixé en procédant dans le sens inverse, avec le flasque de serrage (3.3), la rondelle (3.2) et la vis à six pans creux (3.6) sur l'arbre.



#### b) Changement du couteau hélicoïdal

Dévissez avec la clé mâle normale d'ouverture (4.1) se trouvant dans la poignée supplémentaire, les 3 vis de serrage (4.5) du porte-outil jusqu'à ce que le couteau puisse être retiré.



Avant de monter le nouveau couteau, il faut nettoyer la rainure qui reçoit le couteau. Vous avez ainsi la garantie que le couteau sera parfaitement ajusté.

Insérez le nouveau couteau (4.4) dans la rainure du porte-outil en tournant le côté portant le marquage vers la semelle arrière du rabot. Avant de resserrer les vis de blocage, utilisez une règle (4.2) pour positionner le couteau à fleur avec les semelles avant et arrière du rabot (4.3). Pour terminer, serrez d'abord la vis de blocage centrale puis les deux vis de blocage latérales.

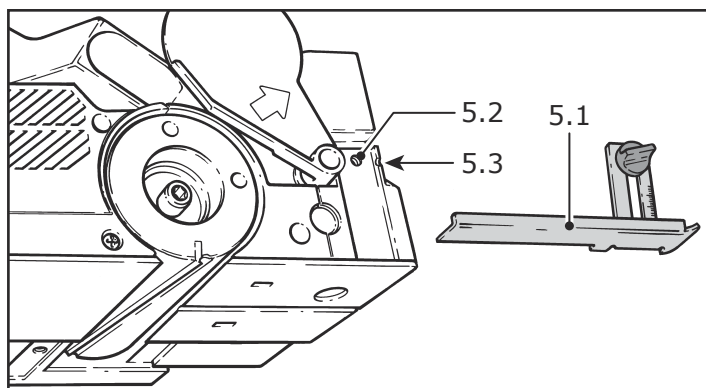
**i** Un couteau hélicoïdal dépassant vers l'extérieur ou rentré vers l'intérieur sur la face avant entraîne une largeur de feuillure faussée.

## Montage des butées

Le rabot est livré en standard avec une butée de profondeur de feuillure et un guide parallèle.

### a) Butée de profondeur de feuillure

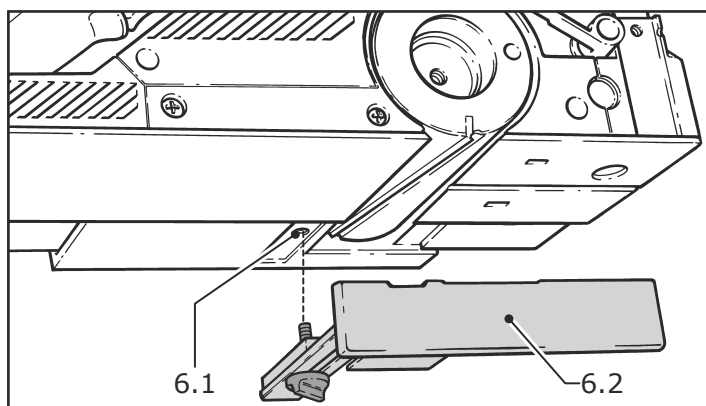
La butée de profondeur de feuillure (5.1) doit être fixée dans le trou taraudé (5.2) du côté droit avant de l'appareil. Elle peut être réglée progressivement entre 0 et 1-3/16" (30 mm) (graduation). La profondeur de feuillure réglée est lisible dans le creux (5.3) du carter.



### b) Guide parallèle

Le guide parallèle (6.2) doit être monté dans le trou fileté (6.1) à côté de la semelle arrière.

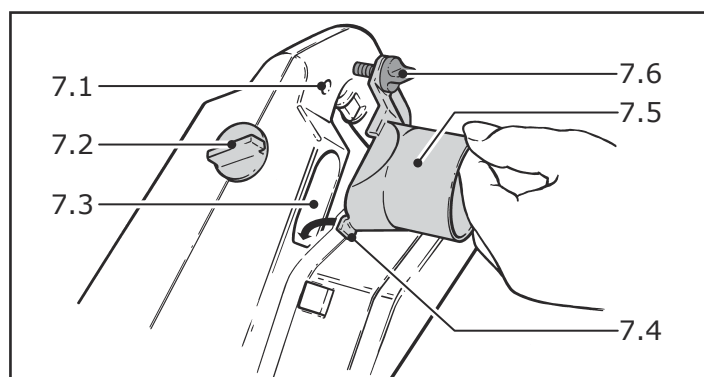
Le guide angulaire basculant WA-HL (accessoire) peut également se monter à cet endroit.



## Aspiration et éjection de copeaux

Le rabot est équipé en série d'un raccord d'aspiration des poussières et des copeaux. Le côté d'éjection des copeaux (7.3) peut être sélectionné par l'intermédiaire du levier (7.2) et peut être au choix le côté gauche ou le côté droit. On peut fixer aux deux côtés soit un sac récupérateur de copeaux SB-HL soit un tuyau d'aspiration Festool de 36 mm de diamètre.

La fixation du sac récupérateur de copeaux SB-HL se fait par l'intermédiaire d'un adaptateur (7.5). L'adaptateur (fourni avec le SB-HL) est accroché par sa patte (7.4) au bord inférieur de l'ouverture d'éjection des copeaux et fixé avec la vis (7.6) dans le trou taraudé (7.1). Le tuyau d'aspiration de 36 mm diamètre peut être monté soit directement dans l'ouverture d'éjection des copeaux soit être fixé à l'adaptateur du SB-HL.



**⚠ AVERTISSEMENT** En cas de traitement de matériaux produisant des poussières nocives pour la santé, cet outil électrique doit être raccordé à un dispositif d'aspiration approprié.

## Travailler avec la machine

**⚠ AVERTISSEMENT** La surface à raboter doit être exempte d'objets métalliques. Ne jamais passer le rabot sur des vis, clous, etc.

**⚠ AVERTISSEMENT** Toujours tenir la machine des deux mains en utilisant les poignées indiquées [1.7], [1.9].

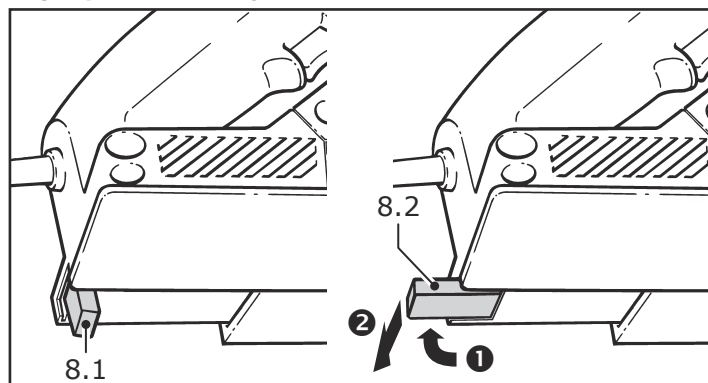
**⚠ AVERTISSEMENT** En utilisant le porte-outil à effet rustique (HK 82 RF, HK 82 RG, HK 82 RW), l'usinage se fait en position 0 car les couteaux dépassent automatiquement la semelle de 1/16" (1.5 mm).

Posez le rabot sur le matériau avec la semelle avant, en veillant à ce que le porte-outil ne touche pas encore le bois. Activez le rabot et glissez-le sur le matériau en donnant une légère pression sur la poignée (1.9).

Une règle de base pour le rabotage: La meilleure qualité de rabotage est obtenue en appuyant, au démarrage du rabotage, sur la partie avant de la semelle du rabot et; en arrivant à la finition (extrémité de la pièce à usiner) sur la partie arrière de la semelle.

Si, pour des travaux spécifiques, le protège-pied devant gêner, il peut être rabattu vers l'arrière et bloqué (8.2).

**⚠ AVERTISSEMENT** Veillez à ce que le protège-pied soit toujours correctement rabattu (8.1).

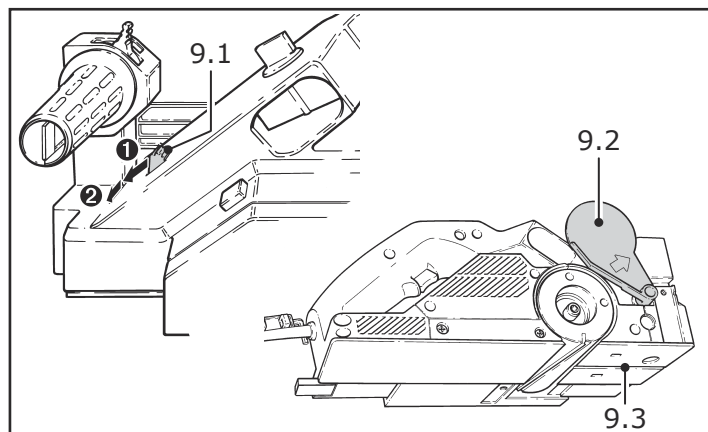


### Feuillurer

Le rabot est équipé d'un porte-outil qui est logé unilatéralement, ce qui permet de réaliser des feuillures à profondeur sans limites. Pour ce faire, il faut escamoter le carter (9.2). Pour y parvenir, poussez le levier (9.1) vers l'avant puis vers la gauche. Le capot se lève jusqu'en butée et la partie frontale du porte-outil est libérée.

Après usinage, le capot se met automatiquement dans sa position initiale.

**i** Si le couteau dépasse légèrement vers l'intérieur ou l'extérieur du porte-outil, la largeur de feuillure sera faussée.



### Chanfreiner

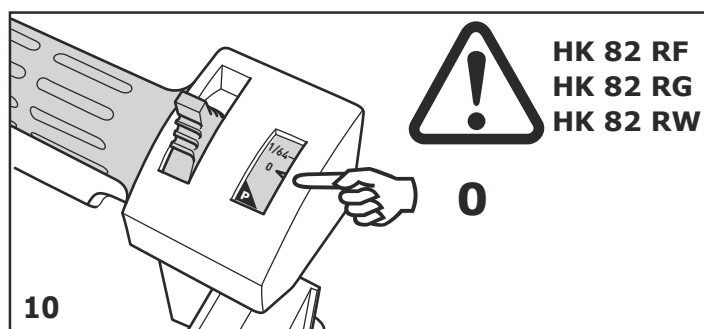
Pour réaliser un chanfrein sur une arête, la semelle avant du rabot est équipée d'une rainure en V de 90° (9.3). Cette rainure a une profondeur de 5/64" (2

mm). Ainsi, en prise de copeaux réglée à 0, l'arête est rabotée de 5/64".

### Porte-outils rustiques (accessoires)

Ce rabot permet de créer des surfaces d'aspect rustique. Trois porte-outils rustiques sont disponibles à cet effet.

- HK 82 RG : pour une structuration grossière de la surface.
- HK 82 RF : pour une structuration fine de la surface.
- HK 82 RW : pour une structuration ondulée de la surface.

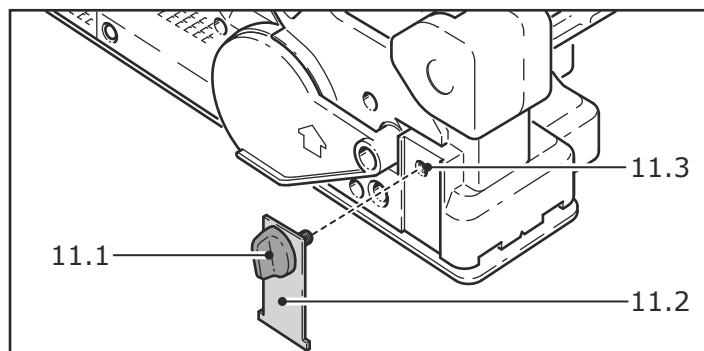


Sur le porte-outil à effet rustique (HK 82 RF, HK 82 RG, HK 82 RW), les couteaux dépassent d'environ 1/16" (1,5 mm) de la semelle du rabot. Par conséquent, lors du montage de porte-outils à effet rustique sur le rabot, il faut régler la profondeur la profondeur de coupe sur 0. Sinon, les couteaux montés dans les porte-outils risquent de mordre dans la semelle du rabot et de détruire ce dernier.

Le dispositif de limitation de la profondeur de travail (11.2) empêche tout dépassement involontaire de la profondeur de travail lors du travail avec le rabot.

Toujours fixer le dispositif de limitation de la profondeur de travail au rabot avant de travailler avec un porte-outils Rustikal :

- Régler la profondeur de travail du rabot sur 0,
- Fixer le dispositif de limitation de la profondeur de travail avec la molette (11.1) au niveau de l'alésage taraudé (11.3).



## Systainer

De nombreux produits Festool sont fournis dans une caisse exclusive, appelée "Systainer". Celle-ci permet de protéger et de ranger des outils et des appareils complémentaires. Les Systainer sont empilables et peuvent être solidarisés. En outre, ils se fixent sur les aspirateurs CT Festool.

Pour ouvrir le Systainer:



- Tournez le T-loc (12.1) à la position .

Pour fermer le Systainer:

- Tournez le T-loc (12.1) à la position .

Pour connecter deux Systainers:

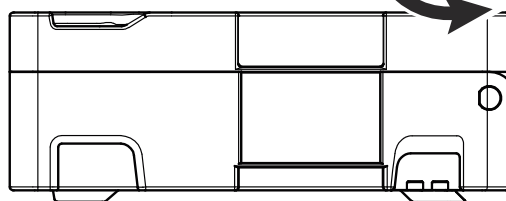
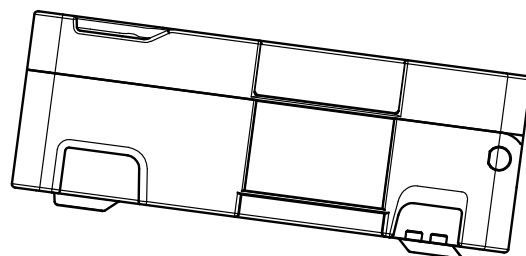
- Placez un Systainer au dessus de l'autre (Fig. 12 A).

- Tournez le T-loc (12.1) à la position  ou  (Fig. 12 B).

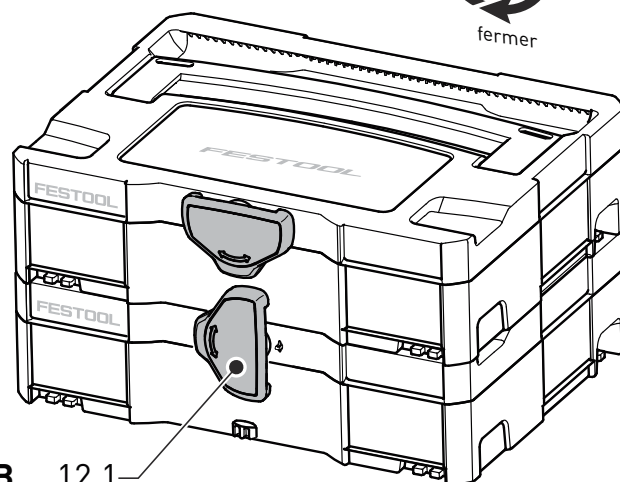
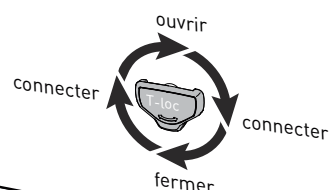
Les Systainers sont combinés.

- Un Systainer de la nouvelle génération peut être attaché au dessus d'un Systainer de l'ancienne génération par les quatre loquets de l'ancien Systainer.

12



A



B 12.1

## Entretien et maintenance

**⚠ AVERTISSEMENT** Tout travail de maintenance ou de réparation, qui nécessite l'ouverture du moteur ou du carter d'engrenages doit uniquement être effectué par un centre service-client autorisé (nom fourni par votre revendeur) ! Les travaux de maintenance ou de réparation effectués par un personnel non autorisé peuvent conduire à la mauvaise connexion de câbles d'alimentation ou d'autres composants, ce qui peut entraîner à son tour des accidents avec des conséquences graves.

**⚠ AVERTISSEMENT** Pour éviter les accidents, retirez toujours la fiche mâle de la prise d'alimentation électrique avant d'effectuer tout travail de maintenance ou de réparation sur la machine ! N'utilisez pas d'air comprimé pour nettoyer l'outil électrique ! N'essayez pas de nettoyer des parties à l'intérieur de la machine de cette façon, étant

donné que des corps étrangers pourraient pénétrer dans les ouvertures du carter de la machine.

**⚠ATTENTION** Certains produits nettoyants et solvants sont nocifs pour les pièces en plastique. Quelques exemples de produit nocif : essence, acétone, méthyléthylcétone (MEK), chlorure de carbone, solutions nettoyantes contenant du chlore, de l'ammoniac et les produits ménagers contenant de l'ammoniac.

Si le câble de raccordement est endommagé, il doit être remplacé chez le fabricant ou dans un atelier de service après-vente.

La semelle du rabot est en alliage de haute qualité de magnésium et d'aluminium. Les éventuelles apparitions de corrosion peuvent être éliminées avec la texture abrasive (grain S800). Pour éviter des traces de corrosion sur le porte-outil chromé, il faut utiliser un produit de nettoyage ayant une valeur pH située entre 4.5 et 8.

Pour assurer une bonne circulation d'air, les ouvertures d'aération dans le carter du moteur doivent toujours être maintenues ouvertes et propres.

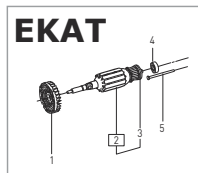
Le rabot est équipé de charbons spécifiques à coupe pure automatique en cas d'usure. Cette coupe de courant automatique entraîne l'arrêt du fonctionnement de la machine.

**Pour nettoyer l'ouverture de collecte des copeaux :**

- Retirer l'adaptateur AD-HL (7-5) (si applicable).
- Vider l'adaptateur AD-HL, éliminer toute obstruction.
- Débloquer les copeaux coincés dans l'ouverture de collecte et, si nécessaire, nettoyer la machine avec un solvant de résine.
- En cas d'encrassement très important, retirer le porte-outil (**chapitre Porte-outils et couteau hélicoïdal**) pour nettoyer l'ouverture conduisant à l'éjection des copeaux.
- Raccorder l'aspirateur et l'utiliser pour nettoyer les ouvertures d'éjection des copeaux.



Seuls le fabricant et un atelier homologué sont habilités à effectuer **toute réparation ou service**. Les adresses à proximité sont disponibles sur: [www.festoolusa.com/service](http://www.festoolusa.com/service)



Utilisez uniquement des pièces de rechange Festool d'origine. Référence sur: [www.festoolusa.com/service](http://www.festoolusa.com/service)

## Accessoires, outils

**⚠AVERTISSEMENT** Pour des raisons de sécurité, il faut utiliser exclusivement des accessoires et outils d'origine Festool!

Utilisez uniquement les accessoires Festool et consommables Festool d'origine prévus pour cette machine, car ces composants systèmes sont parfaitement adaptés les uns par rapport aux autres. Si vous utilisez des accessoires et consommables d'autres marques, la qualité du résultat peut être dégradée et les recours en garantie peuvent être soumis à des restrictions. L'usure de la machine ou votre charge personnelle peuvent augmenter selon chaque application. Pour cette raison, protégez-vous, votre machine et vos droits à la garantie en utilisant exclusivement des accessoires Festool et des consommables Festool d'origine !

Dans le programme, nous proposons également comme accessoires, trois porte-outils à effet rustique. Avec le porte-outil HK 82 RG, on obtient un effet rustique gros et avec le HK 82 RF, un effet rustique fin. Quant au HK 82 RW, la surface est irrégulièrement ondulée. Tous les porte-outils à effet rustique ne peuvent être équipés qu'avec des couteaux HSS prévus à cet effet. Ils ne peuvent pas être interchangeables.









Les références des accessoires et outils figurent dans le catalogue Festool ou sur Internet sous **www.festoolusa.com**.

## Environnement

**Ne jetez pas l'appareil avec les ordures ménagères !**

Éliminez l'appareil, les accessoires et les emballages de façon compatible avec l'environnement. Respectez les prescriptions nationales en vigueur

Contenido	
<b>Símbolos</b> .....	<b>22</b>
<b>Datos técnicos</b> .....	<b>22</b>
<b>Sobre este manual</b> .....	<b>23</b>
<b>Indicaciones de seguridad</b> .....	<b>23</b>
Instrucciones generales de seguridad para herramientas eléctricas.....	23
Normas de seguridad específicas .....	25
<b>Descripción del funcionamiento</b> .....	<b>26</b>
<b>Uso conforme a la destinación</b> .....	<b>26</b>
<b>Conexión eléctrica y puesta en servicio</b> .....	<b>26</b>
Cable de prolongación.....	26
<b>Regulación electrónica</b> .....	<b>26</b>
<b>Ajustes en la máquina</b> .....	<b>27</b>
Ajuste del espesor de la viruta.....	27
Cabezas de cepillo y cuchilla helicoidal .....	27
Montaje de los topes .....	28
Aspiración y expulsión de virutas .....	28
<b>Trabajo con la máquina</b> .....	<b>28</b>
Rebajar .....	29
Biselar .....	29
Cabezal de cepillo rústico (accesorio).....	29
<b>Systemair</b> .....	<b>30</b>
<b>Mantenimiento y conservación</b> .....	<b>30</b>
<b>Accesorios, herramientas</b> .....	<b>31</b>
<b>Medio ambiente</b> .....	<b>31</b>

Símbolos	
	Aviso ante un peligro general
	¡Leer las instrucciones e indicaciones!
	Munissez-vous de casques anti-bruit !
	Portez un masque de protection respiratoire !
	Portez des lunettes de protection !
	Porter des gants de protection !
	Débrancher la prise secteur !
	Clase de protection II
V	voltios
A	amperios
Hz	hertzios
W	vatios
~	corriente alterna
n <sub>0</sub>	revoluciones sin carga
r.p.m.	revoluciones por minuto
"	pulgada




## Datos técnicos

HL 850 E	
Potencia absorbida	850 W
Velocidad sin carga	12 000 min <sup>-1</sup>
Anchura de cepillo	3-15/64" (82 mm)
Extracción de viruta	0 - 9/64" (3.5 mm)
Profundidad de rebaje	ilimitada
Peso	8.6 lbs (3.9 kg)

## Sobre este manual


### Guarde estas instrucciones

Es importante que usted lea y entienda este manual. La información que contiene se relaciona con la protección de **su seguridad y la prevención de problemas**. Los símbolos que siguen se utilizan para ayudarlo a reconocer esta información.

 <b>PELIGRO</b>	Descripción de peligro inminente y fracaso para evitar riesgos que podran causar la muerte..
 <b>ADVERTENCIA</b>	Descripción de peligro y posibles lesiones resultantes o la muerte.
 <b>PRECAUCIÓN</b>	Descripción de peligro y posibles lesiones resultantes.
<b>AVISO</b>	Descripción de los posibles daños en el dispositivo o en su entorno.

## Indicaciones de seguridad

### Instrucciones generales de seguridad para herramientas eléctricas

 **¡ADVERTENCIA!** Lea y observe todas las indicaciones de seguridad, instrucciones, imágenes y datos técnicos con los que se presenta esta herramienta eléctrica. El incumplimiento de dichas instrucciones e indicaciones puede dar lugar a descargas eléctricas, incendios o lesiones graves. **Guardar todas las advertencias de peligro e instrucciones para futuras consultas.**

El término herramienta eléctrica empleado en las siguientes advertencias de peligro se refiere a herramientas eléctricas de conexión a la red (con cable de red) y a herramientas eléctricas accionadas por acumulador (o sea, sin cable de red).

### 1 SEGURIDAD EN EL LUGAR DE TRABAJO

- Mantenga su zona de trabajo limpia y bien iluminada.** El desorden o la falta de iluminación en las zonas de trabajo pueden dar lugar a accidentes.
- No trabaje con la herramienta eléctrica en entornos potencialmente explosivos donde se encuentren líquidos, gases o polvos inflamables.** Las herramientas eléctricas producen chispas que pueden inflamar el polvo o los vapores.
- Mantenga a los niños y otras personas alejados de la herramienta eléctrica durante el uso.** Si se distrae, puede perder el control de la herramienta.

### 2 SEGURIDAD ELÉCTRICA

- El conector de la herramienta eléctrica debe encajar en el enchufe. El conector no debe modificarse en modo alguno. No utilice conectores adaptadores con herramientas eléctricas con puesta a tierra.** Unos conectores intactos y unos enchufes adecuados reducen el riesgo de descarga eléctrica.
- Evite el contacto físico con superficies con puesta a tierra como las de tuberías, calefacciones, cocinas y frigoríficos.** Existe un riesgo elevado de descarga eléctrica si su cuerpo está en contacto con la tierra.
- Mantenga las herramientas eléctricas lejos de la lluvia y la humedad.** La penetración de agua en una herramienta eléctrica aumenta el riesgo de descarga eléctrica.
- No utilice el cable de conexión para transportar o colgar la herramienta eléctrica ni para extraer el conector del enchufe. Mantenga el cable de conexión alejado del calor, aceite, cantos afilados o piezas en movimiento.** Los cables de conexión dañados o enredados aumentan el riesgo de descarga eléctrica.
- Si trabaja con una herramienta eléctrica al aire libre, utilice únicamente alargadores aptos para el uso en exteriores.** El empleo de alargadores aptos para el uso en exteriores reduce el riesgo de descarga eléctrica.

- f) **Cuando sea inevitable el uso de la herramienta eléctrica en un entorno húmedo, utilice un interruptor diferencial.** El uso de un interruptor diferencial reduce el riesgo de que se produzca una descarga eléctrica.

### 3 SEGURIDAD DE LAS PERSONAS

- a) **Sea cuidadoso, preste atención a lo que está haciendo y actúe con prudencia al trabajar con herramientas eléctricas. No utilice ninguna herramienta eléctrica si está cansado o bajo los efectos de drogas, alcohol o medicamentos.** Una mínima distracción mientras está utilizando la herramienta eléctrica puede ocasionarle graves lesiones.
- b) **Lleve puesto el equipamiento de protección personal y utilice gafas de protección en todo momento.** El empleo del equipamiento de protección personal como p. ej. mascarilla, guantes de seguridad antideslizantes, casco o protección de oídos, según el tipo y la aplicación de la herramienta eléctrica, reduce el riesgo de lesiones.
- c) **Evite un arranque accidental de la herramienta. Asegúrese de que está desconectada antes de conectarla al suministro de corriente o la batería, recogerla o transportarla.** Existe peligro de accidente si transporta la herramienta eléctrica con el dedo sobre el interruptor o si conecta la herramienta encendida a la red.
- d) **Retire las herramientas de ajuste y las llaves de tornillos antes de conectar la herramienta eléctrica.** Si una herramienta o llave se encuentra en una pieza en movimiento de la herramienta eléctrica, pueden producirse lesiones.
- e) **Evite una postura anormal del cuerpo. Procure un apoyo seguro y mantenga el equilibrio en todo momento.** De esta manera podrá controlar mejor la herramienta eléctrica en situaciones inesperadas.
- f) **Utilice ropa adecuada. No utilice ropa ancha ni objetos de joyería o bisutería. Mantenga el pelo y la ropa alejados de las piezas en movimiento.** La ropa holgada o el pelo largo pueden quedar atrapados por piezas en movimiento.
- g) **Si se montan dispositivos de aspiración o recogida de polvo, estos deberán conectarse y utilizarse correctamente.** El empleo de un sistema de aspiración del polvo puede disminuir los peligros a causa del polvo.
- h) **No se cree un falso sentido de la seguridad ni ignore las normas de seguridad de las herramientas eléctricas, ni siquiera si está muy**

**familiarizado con el uso de la herramienta.** Una distracción durante el manejo puede derivar en graves lesiones en cuestión de pocas fracciones de segundo.

### 4 USO Y MANEJO DE LA HERRAMIENTA ELÉCTRICA

- a) **No sobrecargue la herramienta eléctrica. Utilice la herramienta eléctrica adecuada para el trabajo que va a realizar.** Con la herramienta apropiada trabajará mejor y más seguro en el rango de potencia especificado.
- b) **No utilice ninguna herramienta eléctrica cuyo interruptor esté defectuoso.** Una herramienta eléctrica que no se pueda conectar o desconectar resulta peligrosa y es necesario repararla.
- c) **Extraiga el conector del enchufe o retire la batería extraíble antes de efectuar los ajustes de la herramienta, cambiar piezas o guardar la herramienta eléctrica.** Esta medida de seguridad impide el arranque accidental de la herramienta eléctrica.
- d) **Mantenga las herramientas eléctricas que no esté utilizando fuera del alcance de los niños. No permita que la herramienta eléctrica sea utilizada por personas que no estén familiarizadas con ella o no hayan leído las presentes indicaciones.** Las herramientas eléctricas en manos inexpertas pueden ser peligrosas.
- e) **Trate las herramientas eléctricas y las herramientas intercambiables con cuidado. Compruebe si las partes móviles funcionan correctamente y no se atascan, y si hay piezas rotas o tan deterioradas que podrían mermar el funcionamiento de la herramienta eléctrica. Haga reparar las piezas deterioradas antes de usar la herramienta eléctrica.** Muchos accidentes tienen su origen en un mantenimiento deficiente de las herramientas eléctricas.
- f) **Mantenga las herramientas cortantes limpias y afiladas.** Las herramientas cortantes bien cuidadas con aristas de corte afiladas se atascan menos y se guían más fácilmente.
- g) **Utilice la herramienta eléctrica, las herramientas intercambiables, etc., de acuerdo con estas instrucciones. Para ello, tenga en cuenta las condiciones de trabajo y la actividad que debe realizar.** El uso de herramientas eléctricas en aplicaciones diferentes a las previstas puede dar lugar a situaciones peligrosas.



h) **Mantenga las superficies de agarre y los mangos secos, limpios y libres de aceite y grasa.** Un mango o unas superficies de agarre resbaladizos no permiten un manejo y control seguros de la herramienta eléctrica en situaciones imprevistas.

## 5 SERVICIO

- a) **Encargue la reparación de su herramienta eléctrica únicamente a personal técnico cualificado y solo con piezas de recambio originales.** De esta forma queda garantizada la seguridad de la herramienta eléctrica.
- b) **Utilice exclusivamente piezas originales para la reparación y el mantenimiento de la herramienta.** El uso de accesorios o piezas de recambio no previstos puede producir descargas eléctricas o lesiones.

### Normas de seguridad específicas

- **Esperar a que la fresa se haya detenido antes de bajar la herramienta.** Si se deja una fresa giratoria al descubierto, puede entrar en contacto con la superficie y provocar una pérdida de control y graves lesiones.
- **Sujetar la herramienta eléctrica por las superficies de agarre aisladas, ya que la fresa puede entrar en contacto con su propio cable.** Cortar cables portadores de tensión puede hacer que las partes metálicas expuestas de la herramienta eléctrica provoquen una descarga eléctrica al operario.
- **Sujetar la pieza de trabajo a una plataforma estable usando bridas o algún otro elemento que ofrezca la seguridad suficiente.** Si se sujeta la pieza con la mano o se apoya contra el cuerpo, la pérdida de equilibrio puede hacerle perder el control.
- **Las herramientas eléctricas de Festool deben instalarse exclusivamente en mesas de trabajo diseñadas por Festool.** El montaje en mesas de trabajo de otros fabricantes o de fabricación propia puede mermar la seguridad de la herramienta eléctrica y provocar accidentes graves.
- Controlar periódicamente el enchufe y el cable y, en caso de que presenten daños, acudir a un taller autorizado para que los sustituya con el fin de prevenir riesgos.

- **Portez votre propre équipement de protection individuelle :**



protection auditive pour limiter les risques de dégradation de l'ouïe ; lunettes de protection ; masque pour limiter le risque de respirer des poussières nocives ; gants pour la manipulation des outils et des matériaux bruts.

**⚠️ ADVERTENCIA** Algunos polvos creados por lijadoras motorizadas, aserraderos, trituradores, perforadoras y otras actividades de construcción contienen sustancias químicas que se sabe (en el Estado de California) causan cáncer, defectos de nacimiento u otros daños al sistema reproductivo. Algunos ejemplos de estas sustancias químicas son:

- Plomo de las pinturas con base de plomo
- Sílice cristalino de los ladrillos y cemento y otros productos de mampostería, y
- Arsénico y cromo de madera tratada con sustancias químicas

El riesgo de exposición a estas sustancias varía, dependiendo de cuantas veces se hace este tipo de trabajo.

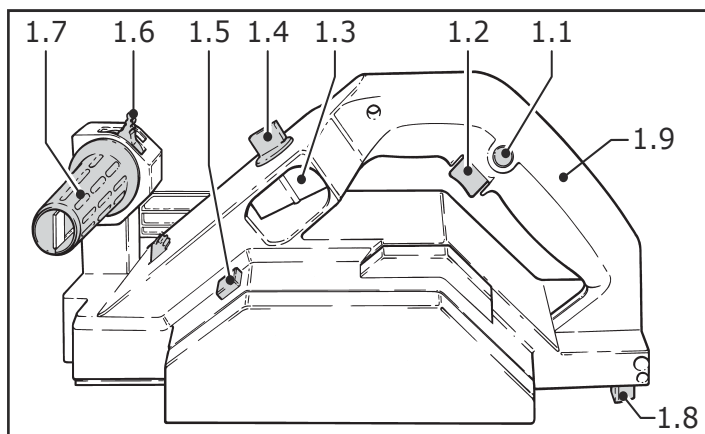


Para reducir el contacto con estas sustancias químicas: trabaje en un área con buena ventilación y trabaje con equipo de seguridad aprobado, como mascarillas para el polvo diseñadas específicamente para filtrar partículas microscópicas.

**⚠️ ADVERTENCIA** PARA REDUCIR EL RIESGO DE LESIÓN, EL USUARIO DEBE LEER EL MANUAL DE INSTRUCCIÓN.

## Descripción del funcionamiento

- 1.1 Seguridad con interbloqueo
- 1.2 Interruptor de conexión/desconexión
- 1.3 Expulsión de virutas
- 1.4 Palanca de cambio para expulsión de virutas
- 1.5 Bloqueo del husillo
- 1.6 Bloque del ajuste del espesor de la viruta
- 1.7 Puño/Ajuste del espesor de la viruta
- 1.8 Zapata de reposo
- 1.9 Puño



## Uso conforme a la destinación

El cepillo HL 850 E y los accesorios disponibles de Festool están diseñados para procesar madera, plásticos blandos y materiales similares.

Su uso está permitido exclusivamente con los cabezales del cepillo diseñados para alcanzar una velocidad máxima de 15 000 min<sup>-1</sup>.

**⚠️ ADVERTENCIA** En caso de daños y accidentes debidos a una utilización inadecuada o incorrecta la responsabilidad será del usuario.

## Conexión eléctrica y puesta en servicio

La tensión de la red tiene que coincidir con la tensión indicada en la placa de características.

Para su seguridad, la máquina está equipada con un dispositivo de seguridad por interbloqueo (1.1). Antes de empezar a trabajar con el cepillo, la seguridad debe estar activada. Al pulsar la tecla de seguridad, se activa el interruptor de conexión/desconexión (1.2).

## Cable de prolongación

Cuando se necesite un cable de prolongación, éste tiene que disponer de una sección suficiente a fin de evitar una excesiva caída de tensión o un sobrecalentamiento. Una excesiva caída de la tensión reduce la potencia y puede conducir a una destrucción del motor. La tabla muestra el tamaño correcto a utilizar, según la longitud del cordón y la capacidad nominal en amperios de la herramienta. Emplear únicamente los cables de prolongación listados por U.L. y CSA. No emplear nunca dos cables de prolongación conectados el uno con el otro. En lugar de ello, emplear uno correspondientemente largo.

Longitud total del cable (pies)	25	50	100	150
Diámetro de cable (AWG)	18	16	14	12

**Observación:** Cuanto más bajo es el número A.W.G., tanto mayor es el diámetro del cable.

## Regulación electrónica

Los aparatos tienen una cabeza electrónica con las siguientes funciones:

### Arranque suave

El arranque suave regulado electrónicamente vela por un arranque sin sacudidas del motor.

### Número de revoluciones en marcha en vacío

El sistema electrónico limita el número de revoluciones. De esta forma el índice de ruidos permanece bajo también durante la marcha en vacío.

### Número de revoluciones constante

El número de revoluciones del eje del cepillo se mantiene electrónicamente constante. Así también se consigue bajo carga una velocidad de corte constante.

### Seguro contra aumento de temperatura

En caso de aplicación continua con una gran sobrecarga, el motor se recalienta. Para protegerlo contra calentamiento (quemado del motor), tiene integrado un control electrónico de temperatura. Antes de alcanzar una temperatura peligrosa para el motor, éste se desconecta por medio de la electrónica de seguridad. Después de una refrigeración de aprox. 3-5 minutos, la máquina está dispuesta nuevamente para el funcionamiento y para ser utilizada a pleno rendimiento. Con la máquina en marcha (marcha

sin carga), el tiempo de refrigeración se reduce enormemente.

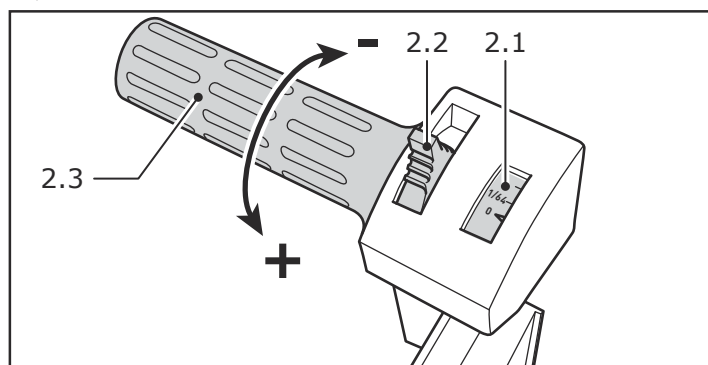
No utilizar el HL 850 E cuando la electrónica sea defectuosa, dado que esto podría dar lugar a una velocidad de giro excesiva. Los fallos de la electrónica se manifiestan por la pérdida de la suavidad de arranque, por el aumento del ruido en vacío o por la imposibilidad de regular la velocidad de giro.

## Ajustes en la máquina

**⚠ADVERTENCIA** ¡Antes de todo trabajo en la máquina se tiene que desconectar el enchufe de red de la toma de corriente!

### Ajuste del espesor de la viruta

Tras empujar hacia atrás el interbloqueo (2.2) para liberarlo, el espesor de la viruta se puede ajustar de forma ilimitada entre 0 y 9/64" (3,5 mm) girando el asa suplementaria (2.3). En el indicador, se puede leer el espesor de viruta establecido (2.1). Una división corresponde a una retirada de viruta de 1/64" (0,1 mm).



Si se quiere fijar un espesor de viruta, se debe pulsar nuevamente hacia adelante el bloqueo del ajuste de espesor de virutas. Si durante el trabajo se debe modificar el espesor (trabajos de adaptación), el bloqueo permanece abierto.

Girando el mango adicional más allá de la marca 0 se llega a la posición P = Posición de estacionamiento, en la cual la cuchilla helicoidal está completamente hundida en el cepillo. Sin embargo esto no es válido cuando se emplean cabezas de cepillo-Rústico.

**⚠ADVERTENCIA** Asegúrese siempre que desconecte el aparato de que el zapata de reposo (1.8) al final de la base del cepillo esté abatido correspondientemente.

### Cabezas de cepillo y cuchilla helicoidal

**⚠ADVERTENCIA** Utilice sólo cuchillas afiladas y en buen estado. Las cuchillas romas aumentan el riesgo de que el cepillo salte hacia atrás y empeoran la calidad del trabajo.

**⚠ADVERTENCIA** Antes de cambiar los cabezas y las cuchillas del cepillo, desconectar siempre el enchufe de la red.

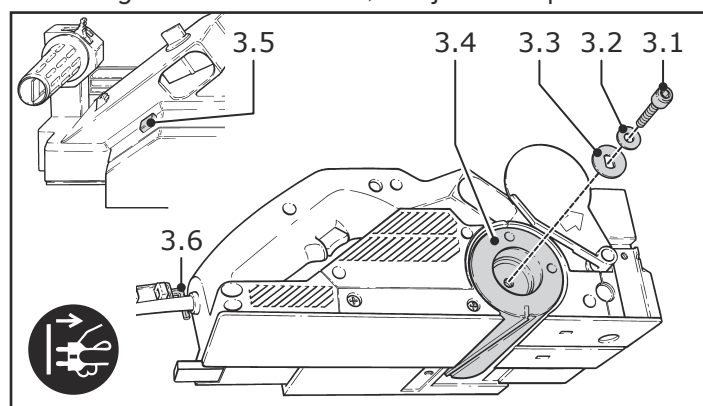
El cepillo está equipado de serie con el cabezal de cepillo HK 82 SD. El cabezal de cepillo tiene filos inclinados, de modo que la cuchilla no pueda reafilarse.

### a) Cambio de la cabeza del cepillo

Frene con el bloqueo del husillo (3.5) el eje del cepillo y afloje con la llave macho hexagonal de tamaño (3.1) el tornillo de hexágono interior (3.6) en la cabeza del cepillo (3.4). Quite la cabeza del cepillo del eje del cepillo.

Antes de colocar la cabeza de cepillo, debería limpiar el eje del cepillo de posibles residuos de polvo.

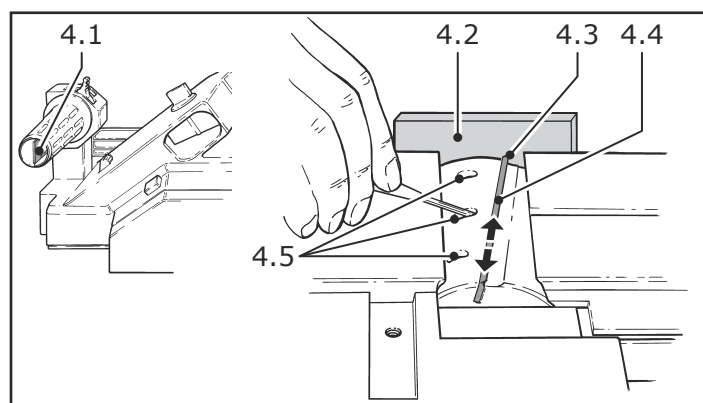
Ajustar la cabeza de cepillo nueva en orden inverso, con la brida de sujeción (3.3), arandela (3.2) y tornillo de hexágono interior (3.6), al eje del cepillo.



### b) Cambio de la cuchilla helicoidal

Afloje con la llave de espiga hexagonal tamaño (4.1) alojada en el mango adicional, los tres tornillos de sujeción (4.5) de la cabeza del cepillo hasta que pueda extraer la cuchilla helicoidal.

Antes de montar la nueva cuchilla se tiene que limpiar la ranura de alojamiento de la cuchilla. Con esto se asegura que la cuchilla quede automáticamente bien ajustada después de haber sido colocada.



Insertar la nueva cuchilla del cepillo (4.4) en la ranura del portaherramientas con el lado etiquetado mirando hacia el rodillo trasero del cepillo. Antes de volver a apretar los tornillos de sujeción, utilizar una regla (4.2) para alinear la cuchilla de tal forma que la cara quede a ras de los rodillos frontales y traseros del cepillo (4.3). Finalmente, apretar primero el tornillo central de sujeción y, después, los dos tornillos exteriores de sujeción

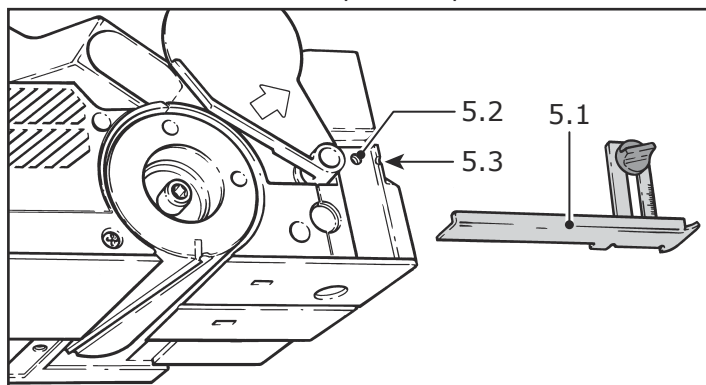
**i** Una cuchilla helicoidal que sobresalga hacia fuera o que esté desplazada hacia dentro en el lado frontal tiene como consecuencia una anchura de rebaje falseada.

### Montaje de los topes

La dotación de suministro del cepillo contiene un tope para graduar la profundidad de rebaje y un tope paralelo.

#### a) Tope para graduar la profundidad de rebaje

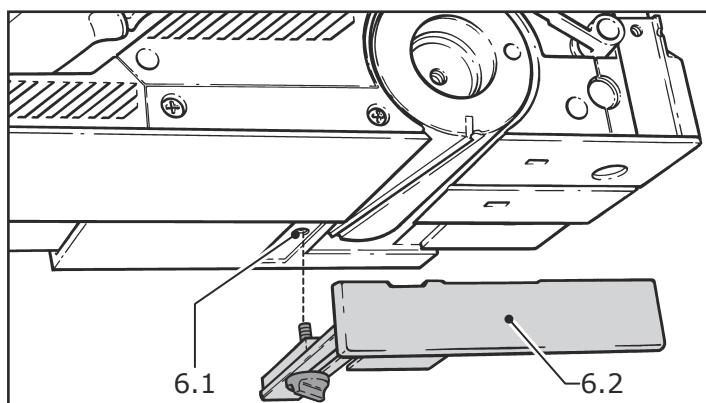
El tope para graduar la profundidad de rebaje (5.1) se ajusta con la rosca (5.2) en la parte delantera derecha del aparato. Se puede graduar sin escalonamiento según escala entre 0 y 1-3/16" (30 mm). La profundidad de rebaje ajustada puede leerse en la muesca (5.3) del cuerpo del aparato.



#### b) Tope paralelo

El tope paralelo (6.2) se ajusta con la rosca (6.1) junto a la base posterior del cepillo.

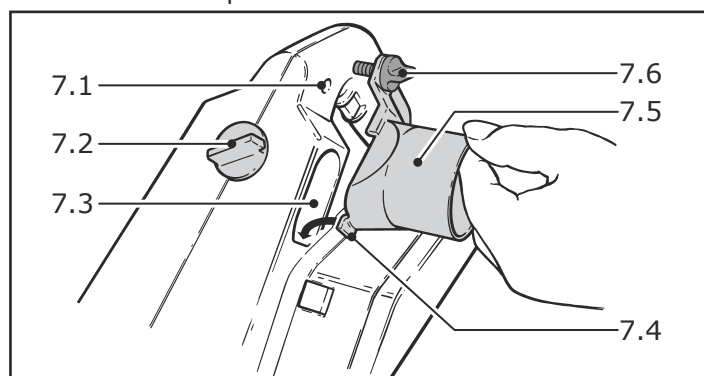
En la misma posición se puede montar el tope angular orientable WA-HL, el cual se puede suministrar como accesorio.



### Aspiración y expulsión de virutas

El cepillo está equipado de serie con un empalme para la aspiración de polvo y virutas. La expulsión de las virutas (7.3) puede realizarse por medio de la palanca reversible (7.2), tanto por la rendija de expulsión de la derecha, como por la de la izquierda, según se prefiera. En ambas rendijas puede colocarse una bolsa de recogida de virutas SB-HL o bien un tubo de aspiración Festool de 36 mm Ø.

La fijación de la bolsa de recogida de virutas SB-HL se realiza mediante un adaptador (7.5). El adaptador (en la dotación de suministro SB-HL) se engancha con la oreja (7.4) al canto inferior de la expulsión de virutas y se fija con el tornillo (7.6) en la rosca (7.1). El tubo de aspiración de 36 mm Ø puede ponerse directamente en la rendija de expulsión de virutas o bien en el adaptador de la SB-HL.



**⚠ ADVERTENCIA** Si se usa el aparato prolongadamente para elaborar materiales perjudiciales para la salud, el aparato eléctrico deberá conectarse a un dispositivo de aspiración adecuado.

### Trabajo con la máquina

**⚠ ADVERTENCIA** La superficie que se vaya a cepillar debe estar libre de objetos metálicos. No cepillar por tornillos, clavos, etc.

**⚠ ADVERTENCIA** La máquina deberá sujetarse siempre con ambas manos en las empuñaduras [1.7], [1.9].

**⚠ ADVERTENCIA** Al emplear las cabezas de cepillos-Rústico (HK 82 RF, HK 82 RG, HK 82 RW) trabaje en la posición 0, ya que las cuchillas Rústico sobresalen automáticamente 1/16" (1.5 mm) de la base del cepillo.

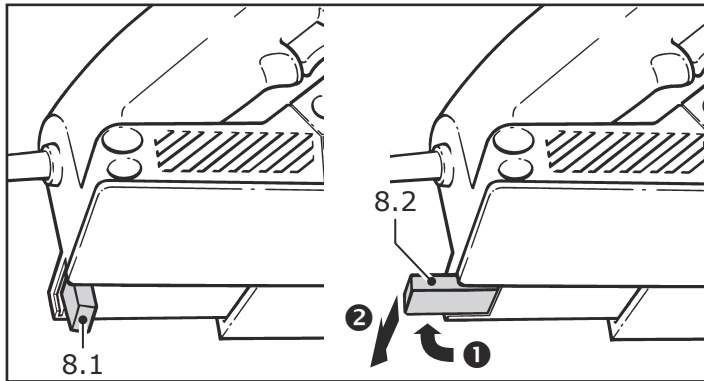
Coloque el cepillo con la base delantera sobre la pieza a trabajar, sin que la cabeza del cepillo toque la madera. Conecte el cepillo y desplácelo sobre la pieza a trabajar con una presión leve sobre el puño (1.9).

Como regla básica al cepillar sirve que: La mayor calidad de superficie se consigue cuando, al comenzar

el cepillado, se presiona sobre la superficie inferior delantera, y durante el cepillado sobre la superficie trasera (parte final) del cepillo.

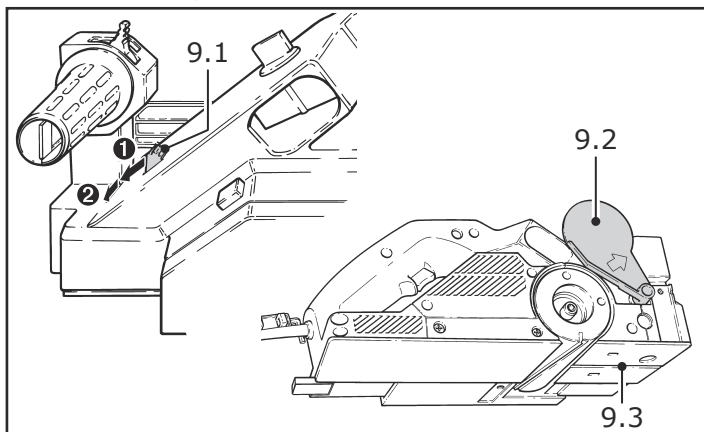
Si en casos especiales de aplicación molestase el zapata de reposo en el cepillado, éste se puede plegar hacia atrás y así retenerlo (8.2).

**⚠ ADVERTENCIA** Asegúrese siempre que desconecte el aparato de que el zapata de reposo esté abatido correspondientemente (8.1).



### Rebajar

El cepillo tiene una cabeza de cepillo situada lateralmente. Por esta razón se puede lograr un rebaje ilimitado. Para ello hay que quitar la caperuza protectora (9.2). Esto se logra presionando la palanca (9.1) primero hacia adelante y luego hacia atrás. De esta forma se desplaza la caperuza protectora por encima de la cabeza del cepillo hasta el cuerpo del aparato, quedando así libre la parte frontal de la cabeza del cepillo.



Después de finalizar el trabajo, la caperuza protectora cubre de inmediato automáticamente la cabeza del cepillo.

**i** Si la cuchilla del cepillo sobresale ligeramente hacia el lado interior o exterior del cabezal del cepillo, la anchura del corte se deformará al rebajar.

### Biselar

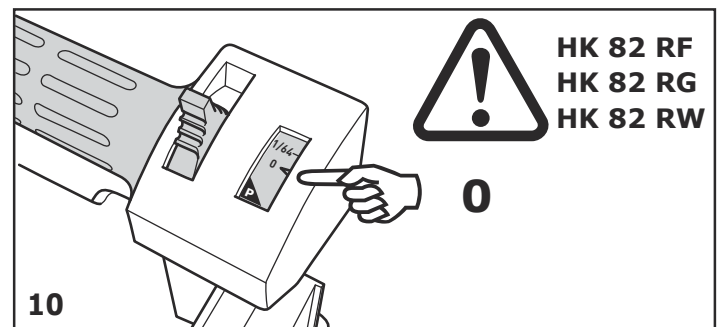
Para biselar cantos de piezas de trabajo, la base delantera del cepillo está equipada con una ranura

en V de 90° (9.3). Esta ranura en V tiene una profundidad de 5/64" (2 mm), de tal manera que con graduación del espesor de virutas en 0, los cantos se biselan en 5/64".

### Cabezal de cepillo rústico (accesorio)

Con el cepillo puede fabricar superficies rústicas. Existen tres cabezales de cepillo rústicos disponibles para este fin:

- HK 82 RG: para una superficie de estructura basta.
- HK 82 RF: para una superficie de estructura fina.
- HK 82 RW: para una superficie de estructura ondulada irregular.

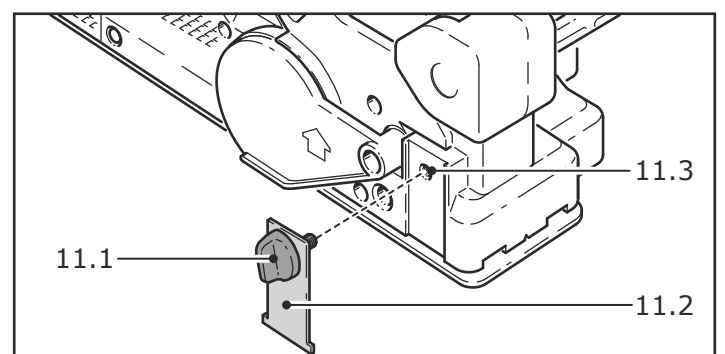


Las cuchillas del cabezal de cepillo rústico (HK 82 RF, HK 82 RG, HK 82 RW) sobresalen aprox. 1/16" (1,5 mm) de la base del cepillo. Por ello, al utilizar el cabezal de cepillo rústico, la profundidad de corte debe ajustarse a 0. De lo contrario, existe el peligro de que las cuchillas fresen el cabezal de cepillo rústico y destruyan el cepillo.

El tope de profundidad de corte (11.2) evita que ésta aumente por error al trabajar con el cepillo.

Sujete siempre firmemente el tope de profundidad de corte en el cepillo, antes de proceder a trabajar con el cabezal de cepillo rústico:

- Ajuste la profundidad de corte del cepillo a 0.
- Fije el tope de profundidad de corte con el botón giratorio (11.1) del orificio roscado (11.3).



## Systainer

12

Muchos de los productos Festool se entregan en un embalaje exclusivo denominado "Systainer" que sirve de protección a la herramienta y sus complementos, además de facilitar su almacenamiento. Los Systainer pueden apilarse y encajan unos con otros. Además se adaptan sin problema a cualquier aparato de aspiración CT de Festool.



Para abrir el Systainer:

- Gire el T-loc (12.1) a la posición .

Para cerrar el Systainer:

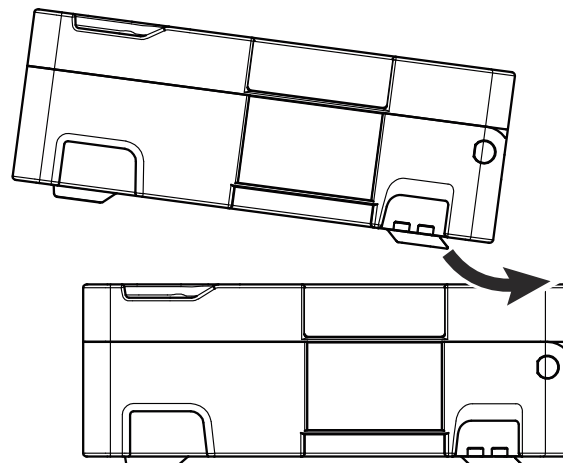
- Gire el T-loc (12.1) a la posición .

Para encajar dos Systainer:

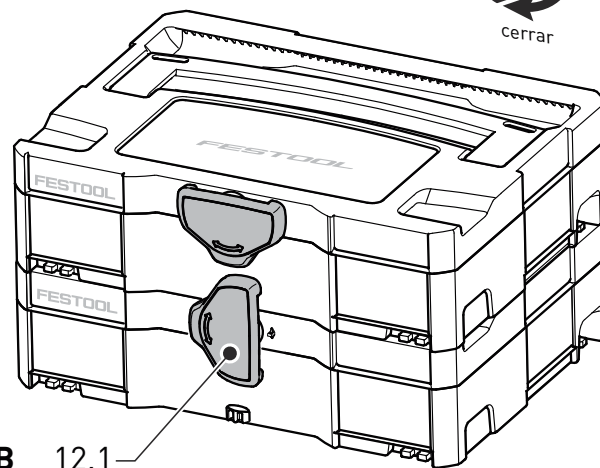
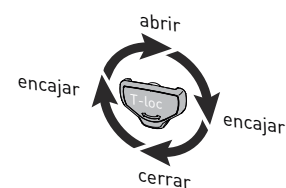
- Ponga el Systainer sobre un otro (Fig. 12 A).
- Gire el T-loc (12.1) a la posición  o  (Fig. 12 B).

Los Systainers están encajados y cerrados.

- Un Systainer de la nueva generación es encajable encima de un Systainer de la generación anterior con los cuatro enganches del Systainer anterior.



A



B 12.1

## Mantenimiento y conservación

**⚠ ADVERTENCIA** Cualquier trabajo de mantenimiento o reparación que requiera abrir el motor o la carcasa del engranaje deberá ser realizado únicamente por un Centro de Atención al Cliente (nombre proporcionado por su concesionario). Los trabajos de mantenimiento o reparación realizados por una persona no autorizada podrían provocar la conexión incorrecta de los conductores de alimentación u otros componentes, lo que a su vez podría provocar accidentes con consecuencias graves.

**⚠ ADVERTENCIA** Para prevenir los accidentes, antes de realizar cualquier trabajo de mantenimiento o reparación en la máquina retire siempre el enchufe de la toma de corriente. No utilice aire a presión para limpiar las herramientas eléctricas. No intente limpiar las partes internas de la máquina de este modo, ya que podría permitir la entrada de objetos extraños a través de las aperturas de la carcasa de la máquina.

**⚠ PRECAUCION** Algunos productos de limpieza y disolventes resultan perjudiciales para las piezas de plástico. Algunos de ellos incluyen, entre otros, gasolina, acetona, metiletilacetona (MEK) y oxícloruro de carbono. Los productos de limpieza normalmente contienen cloro y amoníaco y los productos de limpieza del hogar contienen amoníaco. Si el cable de red está dañado, se debe sustituir en el taller del fabricante o de mantenimiento.

La zapata consta de una aleación de magnesio y aluminio de alta calidad. Si se presentase corrosión, se puede eliminar con un fino vellón de lijar (granulado S800). Para evitar efectos corrosivos del agente limpiador en la cabeza de cepillo cromada, se deben usar aquéllos cuyo valor PH se encuentre entre 4.5 y 8.

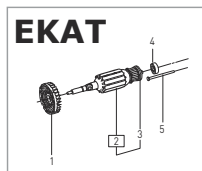
Para la seguridad de la ventilación, la rendija de ventilación debe mantenerse siempre limpia y libre. El cepillo de superficie va equipado con escobillas especiales autodesconectables. Al desgastarse las escobillas, se interrumpe automáticamente el corriente y la máquina se para.

**Para limpiar la abertura de la bolsa recolectora de virutas:**

- Retirar el adaptador AD-HL **(7-5)** (si procede).
- Vaciar el adaptador AD-HL y retirar cualquier tipo de obstrucción.
- Retirar las virutas que se hayan quedado atascadas en la abertura de la bolsa colectora y, en caso necesario, limpiar la máquina con disolvente de resina.
- En caso de que se produzca una contaminación extrema, retirar el cabezal del cepillo (**capítulo «Cabezales del cepillo y fresas espirales»**) para limpiar la abertura que lleva a la expulsión de virutas.
- Acoplar el aspirador y aspirar las aberturas de la expulsión de virutas.



El Servicio de atención al cliente y reparaciones solo está disponible por parte del fabricante o de los talleres de reparación: encuentre la dirección más próxima a usted en: [www.festoolusa.com/service](http://www.festoolusa.com/service)



Utilice únicamente piezas de recambio Festool originales. Referencia en: [www.festoolusa.com/service](http://www.festoolusa.com/service)

## Accesorios, herramientas

**⚠ ADVERTENCIA** ¡Por razones de seguridad, solamente deben emplearse accesorios y herramientas originales de Festool!

Utilice únicamente los accesorios Festool originales y el material de consumo Festool diseñados para esta máquina, puesto que los componentes de este sistema están óptimamente adaptados entre sí. La utilización de accesorios y material de consumo de otros fabricantes puede afectar a la calidad de los resultados de trabajo y conllevar una limitación de los derechos de la garantía. El desgaste de la máquina o de su carga personal puede variar en función de la aplicación. Utilice únicamente accesorios originales y material de consumo de Festool para su propia protección y la de la máquina, así como de los derechos de la garantía.

Además hay como accesorios tres cabezas de cepillo-Rústico. Con la cabeza de cepillo HK 82 RG usted logra una estructura rústica basta, con la HK 82 RW una fina. La cabeza de cepillo HK 82 RW proporciona una superficie con ondulación irregular.

Todas las cabezas de cepillo-Rústico sólo pueden equiparse con las cuchillas helicoidales HSS, ideadas para éstas. No es posible un intercambio entre las mismas.

Los números de pedido para los respectivos accesorios y herramientas se encuentran en su catálogo Festool o en la dirección de Internet

[www.festoolusa.com](http://www.festoolusa.com).

## Medio ambiente

**No deseche la herramienta junto con los residuos domésticos.** Recicle las herramientas, accesorios y embalajes de forma respetuosa con el medio ambiente. Respete la normativa vigente del país.