



► JMC USA 90 [**] 7 272 ...

USA

FEIN Power Tools, Inc.
1000 Omega Drive
Suite 1180
Pittsburgh, PA 15205
Phone: 800-441-9878
www.feinus.com

FEIN Service USA

FEIN Power Tools, Inc.
2735 Hickory Grove Road
Davenport, IA 52804
Phone: 800-441-9878
magdrillrepair@feinus.com

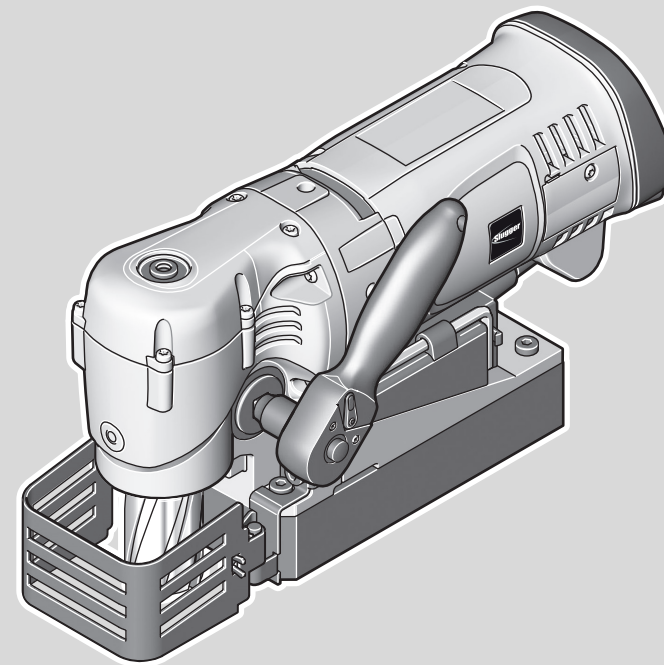
Canada

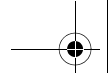
FEIN Canadian Power Tool
Company
323 Traders Boulevard East
Mississauga, Ontario L4Z 2E5
Telephone: (905) 8901390
Phone: 1-800-265-2581
www.fein.com

Headquarter

C. & E. Fein GmbH
Hans-Fein-Straße 81
D-73529 Schwäbisch Gmünd-Bargau
www.fein.com

© C. & E. Fein GmbH. Printed in USA. Figure not obligatory. Subject to technical changes. 3 41 01 258 21 0 BY 2017.08.





en

Instruction Manual

 3

fr

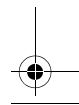
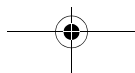
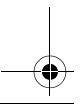
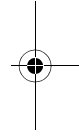
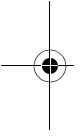
Mode d'emploi

 23

es

Instrucciones de uso

 43



For your safety.

⚠ WARNING **Read all safety warnings and all instructions.** Failure to follow the warnings and instructions may result in electric shock, fire and/or serious injury. **Save all warnings and instructions for future-reference.**

🔒 Do not use this power tool before you have thoroughly read and completely understood this Instruction Manual, including the figures, specifications, safety regulations and the signs indicating DANGER, WARNING and CAUTION.

Only carry out such operations with this power tool as intended for by the manufacturer. Only use cutting tools and accessories that have been approved by the manufacturer.

Please also observe the relevant national industrial safety regulations.

Non-observance of the safety instructions in the said documentation can lead to an electric shock, burns and/or severe injuries.

This Instruction Manual should be kept for later use and enclosed with the power tool, should it be passed on or sold. **SAVE THESE INSTRUCTIONS.**

The term "power tool" in the warnings refers to your mains-operated (corded) power tool or battery operated (cordless) power tool.

General safety rules.

1) Work area safety

- a) **Keep work area clean and well lit.** Cluttered or dark areas invite accidents.
- b) **Do not operate power tools in explosive atmospheres, such as in the presence of flammable liquids, gases or dust.** Power tools create sparks which may ignite the dust or fumes.
- c) **Keep children and bystanders away while operating a power tool.** Distraction can cause you to lose control.

2) Electrical safety

- a) **Power tool plugs must match the outlet. Never modify the plug in any way. Do not use any adapter plugs with earthed (grounded) power tools.** Unmodified plugs and matching outlets will reduce risk of electric shock.

- b) **Avoid body contact with earthed or grounded surfaces such as pipes, radiators, ranges and refrigerators.** There is an increased risk of electric shock if your body is earthed or grounded.

- c) **Do not expose power tools to rain or wet conditions.** Water entering a power tool will increase the risk of electric shock.

- d) **Do not abuse the cord. Never use the cord for carrying, pulling or unplugging the power tool. Keep cord away from heat, oil, sharp edges or moving parts.** Damaged or entangled cords increase the risk of electric shock.

- e) **When operating a power tool outdoors, use an extension cord suitable for outdoor use.** Use of a cord suitable for outdoor use reduces the risk of electric shock.

- f) **If operating a power tool in a damp location is unavoidable, use a ground fault circuit interrupter (GFCI) protected supply.** Use of an GFCI reduces the risk of electric shock.

3) Personal safety

- a) **Stay alert, watch what you are doing and use common sense when operating a power tool. Do not use a power tool while you are tired or under the influence of drugs, alcohol or medication.** A moment of inattention while operating power tools may result in serious personal injury.

- b) **Use personal protective equipment. Always wear eye protection.** Protective equipment such as dust mask, non-skid safety shoes, hard hat, or hearing protection used for appropriate conditions will reduce personal injuries.

- c) **Prevent unintentional starting. Ensure the switch is in the off-position before connecting to power source and/or battery pack, picking up or carrying the tool.** Carrying power tools with your finger on the switch or energising power tools that have the switch on invites accidents.

- d) **Remove any adjusting key or wrench before turning the power tool on.** A wrench or a key left attached to a rotating part of the power tool may result in personal injury.

- e) **Do not overreach. Keep proper footing and balance at all times.** This enables better control of the power tool in unexpected situations.
 - f) **Dress properly. Do not wear loose clothing or jewelry. Keep your hair, clothing and gloves away from moving parts.** Loose clothes, jewelry or long hair can be caught in moving parts.
 - g) **If devices are provided for the connection of dust extraction and collection facilities, ensure these are connected and properly used.** Use of dust collection can reduce dust-related hazards.
- 4) Power tool use and care**
- a) **Do not force the power tool. Use the correct power tool for your application.** The correct power tool will do the job better and safer at the rate for which it was designed.
 - b) **Do not use the power tool if the switch does not turn it on and off.** Any power tool that cannot be controlled with the switch is dangerous and must be repaired.
 - c) **Disconnect the plug from the power source and/or the battery pack from the power tool before making any adjustments, changing accessories, or storing power tools.** Such preventive safety measures reduce the risk of starting the power tool accidentally.
- d) Store idle power tools out of the reach of children and do not allow persons unfamiliar with the power tool or these instructions to operate the power tool.** Power tools are dangerous in the hands of untrained users.
- e) **Maintain power tools. Check for misalignment or binding of moving parts, breakage of parts and any other condition that may affect the power tool's operation. If damaged, have the power tool repaired before use.** Many accidents are caused by poorly maintained power tools.
 - f) **Keep cutting tools sharp and clean.** Properly maintained cutting tools with sharp cutting edges are less likely to bind and are easier to control.
 - g) **Use the power tool, accessories and tool bits etc. in accordance with these instructions, taking into account the working conditions and the work to be performed.** Use of the power tool for operations different from those intended could result in a hazardous situation.
- 5) Service**
- a) **Have your power tool serviced by a qualified repair person using only identical replacement parts.** This will ensure that the safety of the power tool is maintained.

Special safety instructions.

Wear protective equipment. Depending on the application, wear face shield or safety goggles. Wear hearing protection. The safety glasses/goggles must be suitable to protect against the particles emitted from different operations. Continuous high exposure to noise can lead to loss of hearing.

Do not touch the sharp edges of the core drill bit. Danger of injury.

Replace the protective cable bushing immediately when damaged. A defective protective cable bushing can lead to overheating of the machine and to an emergency stop.

Before putting into operation: Mount the chip guard to the machine.

Always secure the power tool with the supplied clamping strap. In case of a power failure or when the power plug is pulled, the magnetic holding power is not maintained. When carrying out such work, beware of falling objects, such as cores or chips.

When working overhead or on vertical surfaces, the coolant container must not be used. Use Slugger Cutting Paste instead. Liquids penetrating your electric power tool may cause electric shock.

Avoid touching the drilled core that is automatically ejected by the pilot pin when the working procedure is finished. Contact with the core when it is hot, or if it falls, can cause personal injuries.

Operate the power tool only from grounded contact sockets that comply with the specifications. Do not use any connection cables that are damaged; use extension cables with a grounded contact that are checked at regular intervals. A ground conductor without continuity can cause an electric shock.

To prevent injuries, always keep your hands, clothing, etc. away from rotating chips. The chips can cause injuries. Always use the chip guard.

Do not attempt to remove the cutting tool if it still turns. This can lead to serious injuries.

Hold power tool by insulated gripping surfaces when performing an operation where the cutting accessory may contact hidden wiring or its own cord. Cutting accessory contacting a “live” wire will make exposed metal parts of the power tool “live” and shock the operator.

Beware of any concealed electric cables, gas or water conduits. Check the working area before commencing work, e. g. with a metal detector.

Do not machine any material containing asbestos. Asbestos is cancerogenic.

Do not rivet or screw any name-plates or signs onto the power tool. If the insulation is damaged, protection against an electric shock will be ineffective. Adhesive labels are recommended.

Do not overload the power tool or the storage case and do not use it as a ladder or stand.

Overloading or standing on the power tool or the storage case can lead to the upward shifting of the center of gravity of the power tool or the storage case, and its tipping over.

Do not use accessories which are not specifically designed and recommended by the power tool manufacturer. Safe operation is not ensured merely because an accessory fits your power tool.

Clean the ventilation openings on the power tool at regular intervals using non-metal tools. The blower of the motor draws dust into the housing. An excessive accumulation of metallic dust can cause an electrical hazard.

Before putting into operation, check the power connection and the power plug for damage.

Recommendation: Always operate the power tool via a residual current device (RCD) with a rated residual current of 30 mA or less.

Handling hazardous dusts.

⚠ WARNING When working with power tools, such as when grinding, sanding, polishing, sawing or for other work procedures where material is removed, dusts develop that are both hazardous to one's health and can spontaneously combust or be explosive.

Contact with or inhaling some dust types can trigger allergic reactions to the operator or bystanders and/or lead to respiratory infections, cancer, birth defects or other reproductive harm.

Examples of such materials which contain chemicals that can produce hazardous dusts, are:

- Asbestos and materials containing asbestos;
- Lead-containing coatings, some wood types such as beech and oak;
- Minerals and metal;
- Silicate particles from bricks, concrete and other materials containing stone;
- Solvent from solvent-containing paint/varnish;
- Arsenic, chromium and other wood preservatives;
- Materials for pesticide treatment on boat and ship hulls;
- Stainless steel dust, metal dust and non-ferrous metal dust;

To minimize the unwanted intake of these materials:

- Use dust extraction matched appropriately for the developing dust.
- Use personal protective equipment, such as a P2 filter-class dust protection mask.
- Provide for good ventilation of the workplace.

The risk from inhaling dusts depends on how often these materials are worked. Materials containing asbestos may only be worked on by specialists.

⚠ CAUTION Wood and light-metal dust can cause spontaneous combustion or explosions.

Hot mixtures of sanding dust and paint/varnish residuals or other chemical materials in the filter bag or the vac filter can self-ignite under unfavourable conditions, such as sparking from sanding metal, continuous sunlight or high ambient temperatures. To prevent this:


- Avoid overheating the material being sanded and the power tool.
- Empty the dust collector/container routinely.
- Observe the material manufacturer's working instructions.
- Observe the relevant regulations for the materials being worked.

Emission values for sound (Two-figure – specifications as per ISO 4871)

Sound emission

A-weighted emission pressure power level measured at the workplace L_{pA} (re 20 μ Pa), in decibels	83.6
Measuring uncertainty K_{pA} , in decibels	3
Measured A-weighted sound power level L_{wA} (re 1 pW), in decibels	94.6
Measuring uncertainty K_{wA} , in decibels	3
C-weighted peak sound pressure level measured at the workplace L_{pCpeak} in decibels	97.2
Measuring uncertainty K_{pCpeak} in decibels	3

REMARK: The sum of the measured emission value and respective measuring inaccuracy represents the upper limit of the values that can occur during measuring.

 Wear hearing protection!

Measured values determined in accordance with the corresponding product standard.

Extension cable.

⚠ WARNING If the use of an extension cord is required, its length and conductor cross-section must be adequate for the application in order to prevent a voltage drop in the extension cord, power loss and overheating of the power tool. Otherwise, the extension cable and power tool are prone to electrical danger, and the working efficiency is decreased.

Intended use of the power tool:

















Magnetic core drill unit for drilling with core drill bits and solid drill bits, reaming, counter-sinking and tapping on materials with surfaces suitable for magnets in weather-protected environments using the application tools and accessories recommended by Slugger.


















Operation of the power tool off power generators.

! This power tool is also suitable for use with AC generators with sufficient power output that correspond to the Standard ISO 8528, design type G2. This Standard is particularly not complied with when the so-called distortion factor exceeds 10 %. When in doubt, please refer to the generator instruction/specification guide.

⚠ WARNING Operating the power tool off power generators whose no-load speed exceeds the voltage value on the type plate of the power tool is prohibited.

Symbols.

Symbol, character	Explanation
	Make sure to read the enclosed documents such as the Instruction Manual and the General Safety Instructions.
	Observe the instructions in the text or graphic opposite!
	Observe the instructions in the text or graphic opposite!
	Before commencing this working step, pull the power plug out of the socket. Otherwise there will be danger of injury if the power tool should start unintentionally.
	Use eye protection during operation.
	Use ear protection during operation.
	Do not touch the rotating parts of the power tool.
	Warning against sharp edges of application tools, such as the cutting edges of the cutter blades.
	Danger of slipping!
	Danger of crushes or contusions!
	Caution! Falling objects!
	Hot surface!
	Do not reach in!
	Fasten strap!
	General prohibition sign. This action is prohibited.
	This symbol confirms the certification of this product for the USA and Canada.

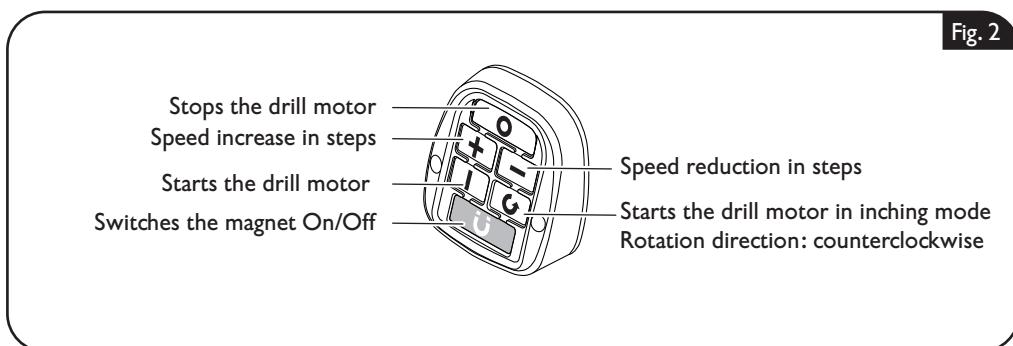
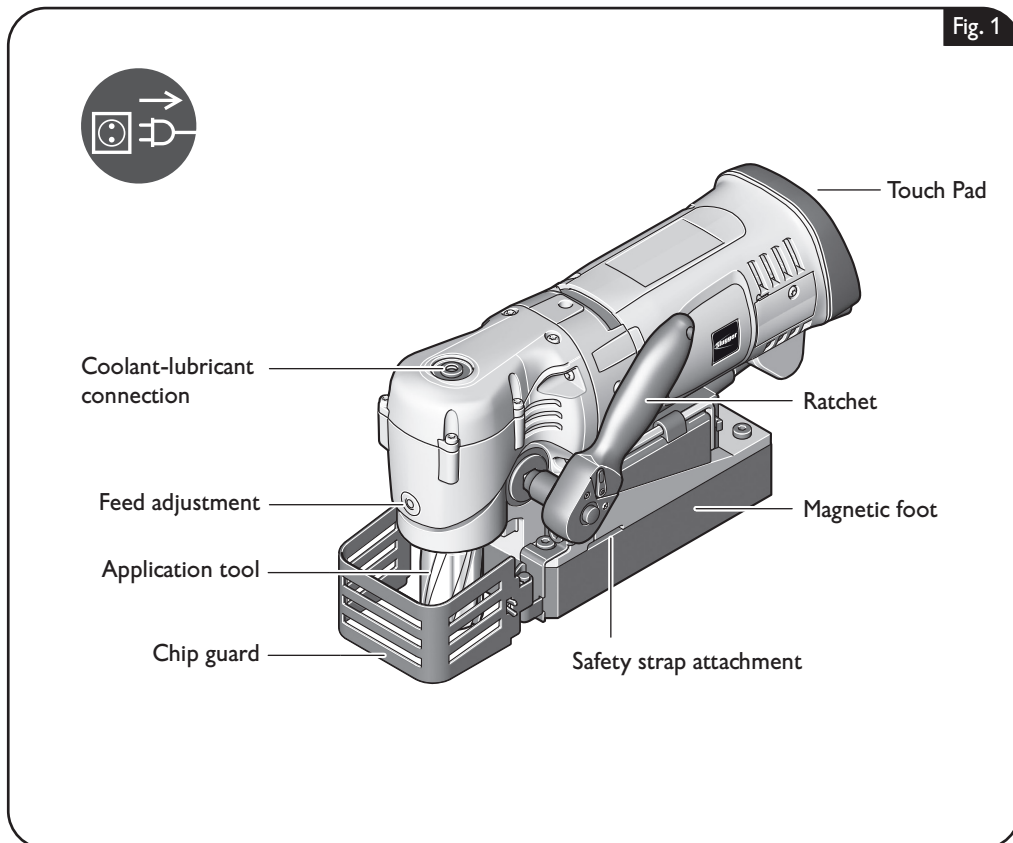
Symbol, character	Explanation
 DANGER	This sign warns of a directly imminent, dangerous situation. A false reaction can cause a severe or fatal injury.
 WARNING	This sign indicates a possible dangerous situation that could cause severe or fatal injury.
 CAUTION	This sign warns of a possible dangerous situation that could cause injury.
	Worn out power tools and other electrotechnical and electrical products should be sorted separately for environmentally-friendly recycling.
	Product with basic insulation and exposed, conductive parts additionally connected to the ground conductor.
	Switching on
	Switching off
~ or a. c.	Alternating current
1 ~	Alternating current, single-phase
	Low speed
	High speed
	Magnetic holding power, sufficient
	Magnetic holding power, insufficient
	Start drill motor. Rotation direction: clockwise
	Start drill motor in inching mode. Rotation direction: counterclockwise
	Speed reduction in steps
	Speed increase in steps
	Stop motor
	Switches the magnet On/Off
(**)	may contain numbers and letters

Character	Unit of measurement, national	Explanation
n_0	rpm; /min; min^{-1} ; r/min	No-load speed
n	rpm; /min; min^{-1} ; r/min	Rated speed
P	W	Electrical power
	°	Angle width
U	V	Electric voltage
f	Hz	Frequency
I	A	Electric current intensity
m	lbs	Mass
l	ft, in	Length, width, height, depth, diameter or thread
\emptyset	ft, in	Diameter of a round part
	m, s, kg, A, mm, V, W, Hz, N, °C, dB, min, m/s^2	Basic and derived units of measurement from the international system of units SI .

Technical description and specifications.

⚠ WARNING Before mounting or replacing cutting tool or accessories, pull the power plug. This preventive safety measure rules out the danger of injuries through accidental starting of the power tool.

Not all accessories described or shown in this instruction manual will be included with your power tool.





Type	JMC USA 90 (**)
Order number	7 272 ...
Current consumption	9.2 A
No-load speed (right rotation)	
1. Gear	520 /min
No-load speed (left rotation)	
1. Gear	370 /min
Drilling capacity in steel - TCT/ high speed steel (core drill bits)	7/16 in – 1 3/8 in 12 mm – 35 mm
Drilling capacity in steel - high speed steel (HSS) (twist drill bit)	5/8 in 16 mm
Tapped hole	1/2 in M12
Counterboring diameter	1 1/4 in 32 mm
Weight according to EPTA-Procedure 01	16.5 lbs (7.5 kg)
Class of protection	⊕/I
Allowable ambient temperature	23°F ... 104°F -5°C ... +40°C

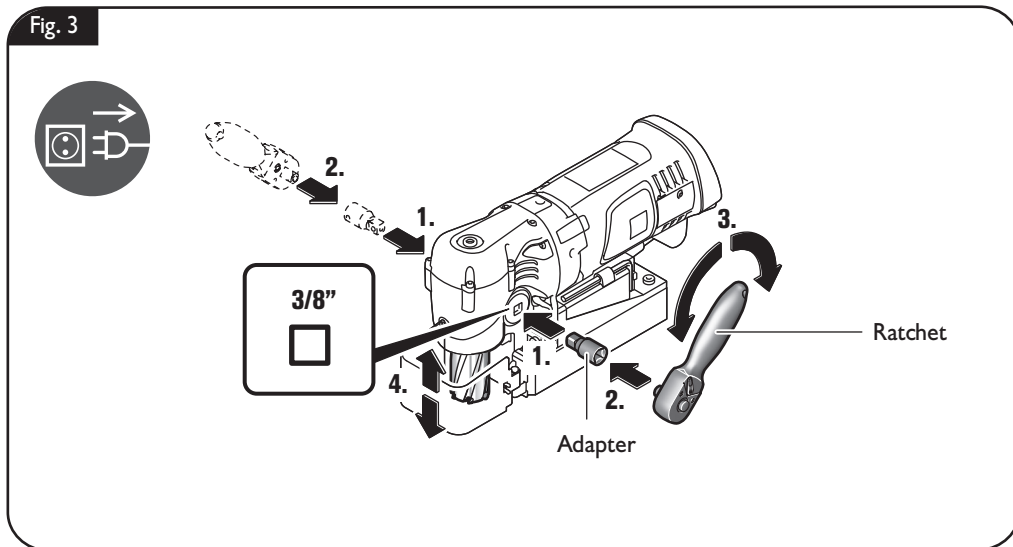


Assembly instructions.

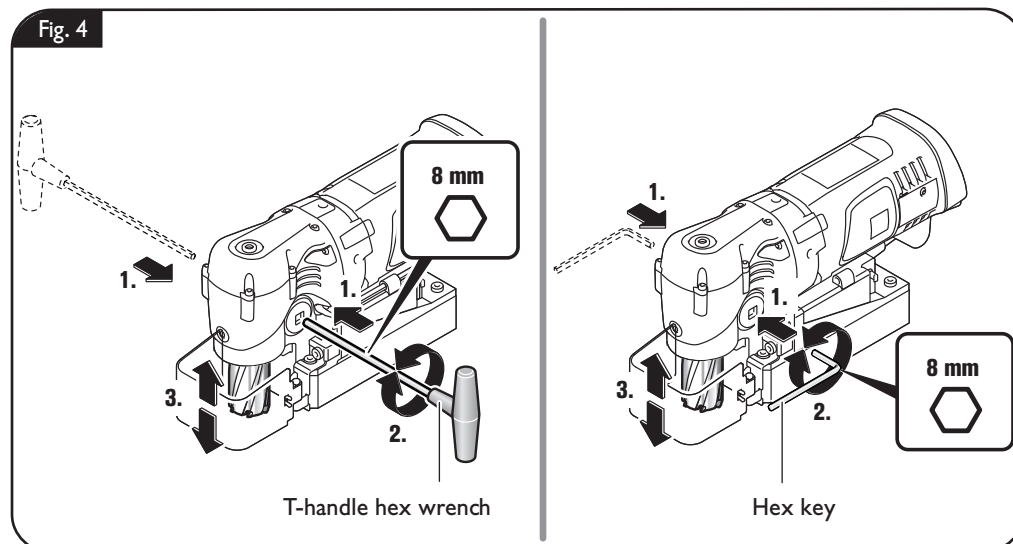
⚠ WARNING Before mounting or replacing cutting tool or accessories, pull the power plug. This preventive safety measure rules out the danger of injuries through accidental starting of the power tool.

Mounting the adapter and ratchet (figure 3).

For adjustment of the drill spindle, mount the adapter and the ratchet on the right or left side.



The drill spindle can also be adjusted from either side using a T-handle hex wrench or a hex key (figure 4).



Filling the coolant container (figure 5).

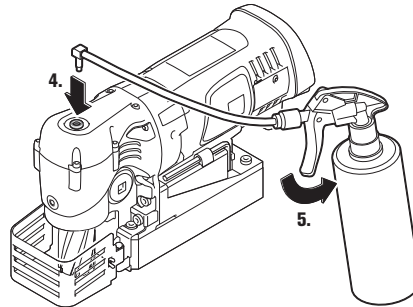
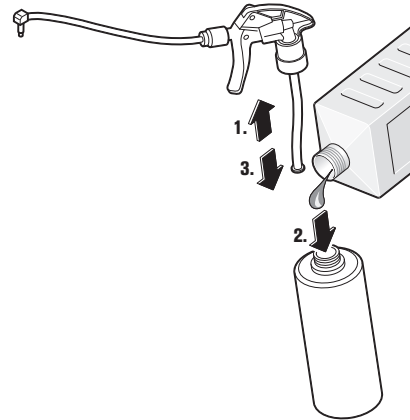
⚠ WARNING Prevent the flow of liquid along the cable into the socket outlet or into the core drill unit, as this can lead to electric shock. Tie a bow in the cable near the plug, so that any liquid can drip off.

Open the closing cap of the coolant container. Fill in a water-soluble, pump-feedable coolant-lubricant, e.g. Slugger cutting oil. Replace the cap back onto the coolant container.

Insert the hose into the coolant-lubricant connection of the machine and pump in the coolant-lubricant.

Do not use the magnetic core drill unit when the cooling-lubricant system is defective. **Each time before operating**, check for tightness against leaks and for cracks in the hoses. Prevent liquids from entering or penetrating electrical components.

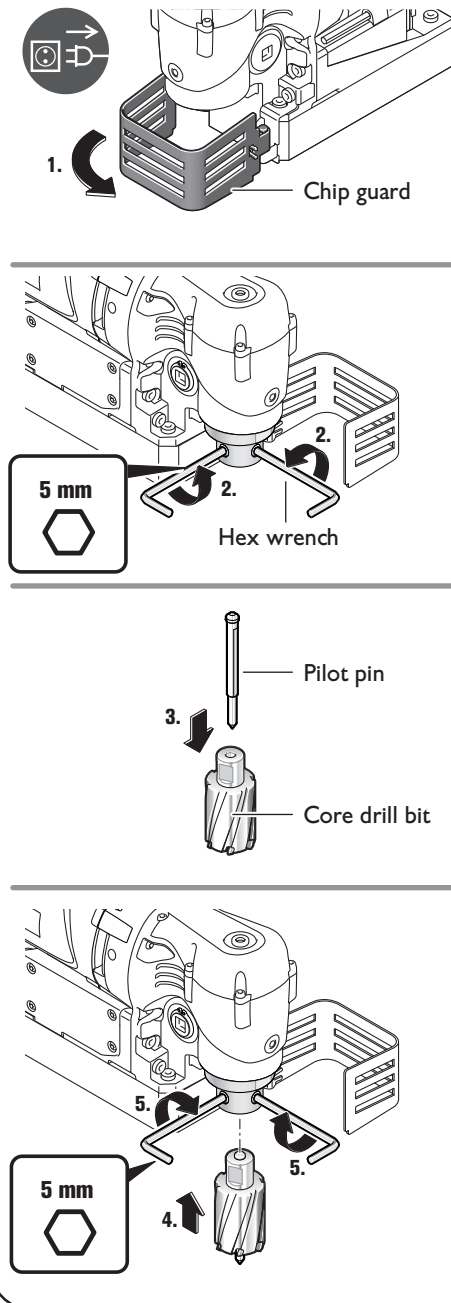
Fig. 5



Changing the tool (figure 6).

⚠ WARNING Before mounting or replacing cutting tool or accessories, pull the power plug. This preventive safety measure rules out the danger of injuries through accidental starting of the power tool. Swing out the chip guard to the side. Loosen both screws of the tool holder using the hex key. Insert the pilot pin into the cutter. Insert the cutter with the pilot pin into the tool holder. Tighten both screws of the tool holder onto the flats on the cutting tool using the hex key.

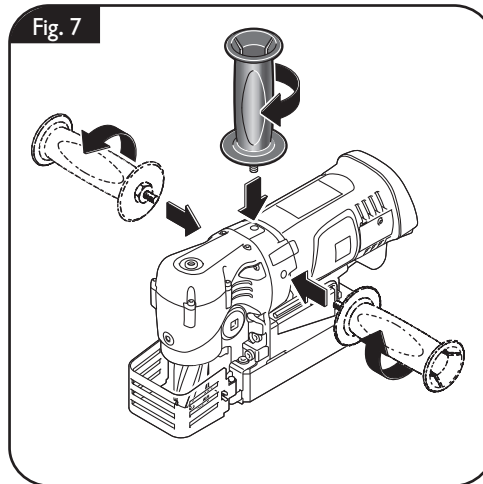
Fig. 6



Working instructions.

Fastening the handle (figure 7).

The handle for carrying the power tool can be screwed in on the sides or on the top.



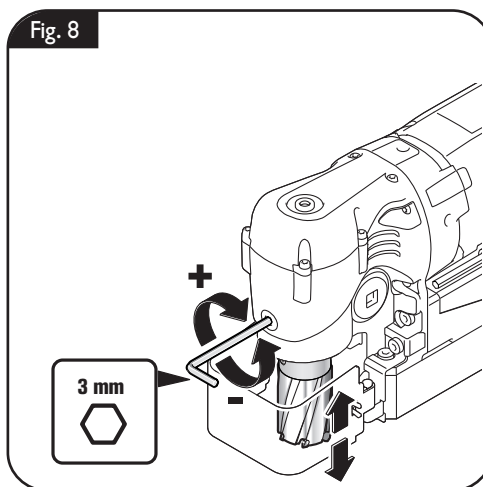
Feed (figure 8).

Work only with the absolutely required amount of feed. Excessive feed can lead to breakage of the application tool and loss of the magnetic holding power.

Using a hex key, adjust the clearance between and the feed resistance:

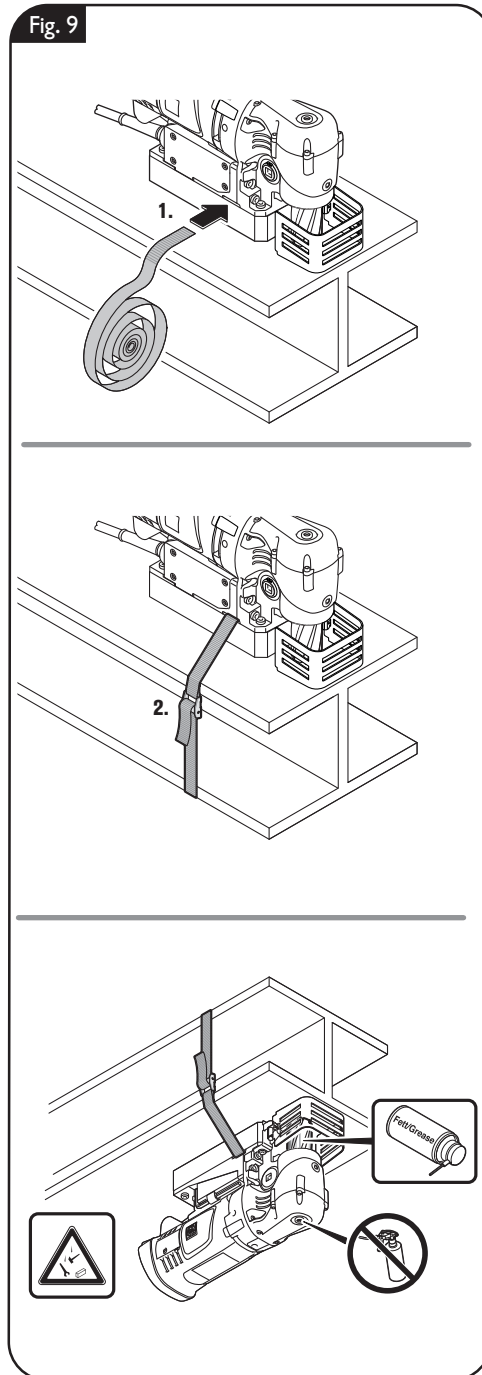
Turning clockwise = low clearance, higher feed resistance

Turning counterclockwise = larger clearance, lower feed resistance.



Fastening the safety strap (figure 9).

⚠ WARNING Always secure the power tool with the supplied clamping strap. In case of a power failure or when the power plug is pulled, the magnetic holding power is not maintained. Always fasten the machine securely around the workpiece using the provided safety strap.



For switching the magnet ON (figure 10).

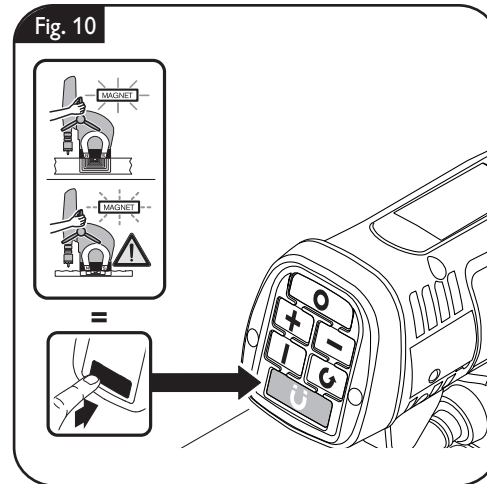
❗ Please make sure that the contact surface for the magnetic base is level, clean and rust-free. Remove any varnish or primer.

❗ When working, always use the magnetic base; ensure that the magnetic holding power is sufficient.

When working on materials that are non-ferrous, suitable fixation devices obtainable as accessories from the manufacturer, e. g. suction plates, vacuum plates or pipe-drilling devices must be used.

When working on steel materials with a material thickness of less than 12 mm / $1/2$ in, the workpiece must be reinforced with an additional steel plate in order to guarantee the magnetic holding power.

Press the magnet switch to energize the magnet.



Starting and stopping the drill motor (figure 11).

To start the drill motor with clockwise rotation, press the button with the “|” symbol. The drill motor starts with the highest speed. The last set speed is automatically stored (**Memory Function**). To start the power tool with the last set speed, press and hold the button with the “-” symbol, and then press the button with the “|” symbol. To lower the speed, press the “-”.

To increase the speed, press the “+” symbol.

To stop the drill motor, press the “○” symbol.

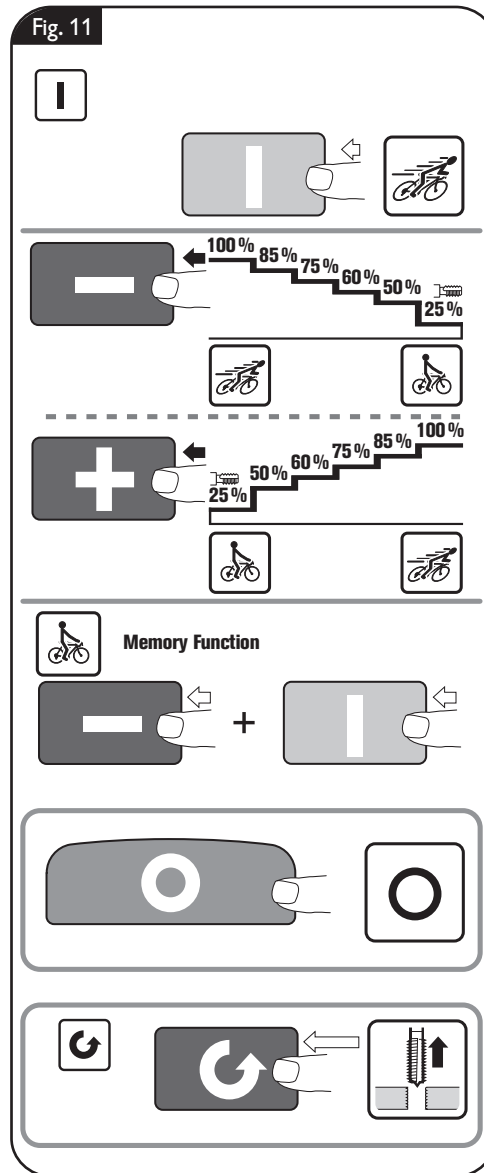
Do not stop the drill motor during the drilling procedure.

To start the drill motor with counterclockwise rotation, press the button with the “↺” symbol. The drill motor will run as long as the button is pressed.

When the power supply is disconnected while the drill motor is running, a protective circuit prevents automatic restarting of the drill motor. To continue use, the drill motor must be restarted.

In case of overload, the drill motor automatically stops and must be restarted again.

This machine is equipped with a motion sensor. Excessive movement will cause this sensor to actuate, which shuts the motor off. To continue use, the drill motor must be restarted.



Instructions for core drilling.

Only remove the cutting tool from the hole while the motor is running.

If the carbide tipped cutter should remain stuck in the material, stop the drill motor and carefully turn the carbide tipped cutter out counterclockwise.

After each drilling operation, remove the chips and the slug.

! Do not touch the chips with your bare hand. Always use a chip hook.

CAUTION Danger of burns! The surface of the magnet can reach high temperatures. Do not touch the magnet with your bare hands.

For core drilling in layered material, use a suitable Slugger ID cutter.

When changing a cutting tool, pay attention not to damage the cutting edges.

When core drilling layered material, remove the core and the chips after having drilled through each layer.

For adjustment of the drill spindle when tapping, only use the provided T-handle hex wrench or a hex key.

Error message/ Response of magnet button	Meaning	Corrective action
Indicator lights up green	Magnetic holding power is sufficient.	
Indicator flashes green	Magnetic holding power possibly insufficient.	Even when working on steel materials where the material thickness is below 12 mm, the workpiece must be made thicker with an additional steel plate in order to ensure the magnetic holding power.
Indicator lights up red for 1 second	<ul style="list-style-type: none"> - Motion sensor has actuated - Overload shut-off has actuated - Incorrect mains voltage 	After malfunction correction, the power tool can be switched on again.
Indicator flashes red 3 x	No speed signal	If the error occurs frequently, send the machine to your Slugger customer service agent.
Indicator lights up red continuously	<ul style="list-style-type: none"> - Incorrect mains voltage/mains frequency - Drill stand is overheated - Button is blocked when switching on 	After malfunction correction, the power tool can be switched on again. If the error occurs frequently, send the machine to your Slugger customer service agent.
Indicator flashes red continuously	Power tool is defective.	Send the machine to your Slugger customer service agent

Repair and customer service.

WARNING Before mounting or replacing cutting tool or accessories, pull the power plug. This preventive safety measure rules out the danger of injuries through accidental starting of the power tool.



Exchangeable parts

If required, you can change the following parts yourself:

Application tools, handles, chip guard, safety strap

Cooling-lubricant system.

Flush the cooling-lubricant system with water, clean and drain it completely when not using the machine for periods longer than two weeks.

For continuous operation, the cooling-lubricant system must be flushed with water and cleaned approx. every 4 weeks.

Service.

WARNING Have maintenance carried out only through qualified personnel. Incorrectly mounted cables and components can cause serious injuries. Have the required service carried out only through an authorized Slugger repair facility.

CAUTION When replacing the power tool's protective cable bushing or cord between the drill stand and drill motor is required, this must be carried out by Slugger or by an authorized Slugger Service Agent, in order to avoid hazardous situations. The current spare parts list for this power tool can be found in the Internet at www.fein.com.

Cleaning.

WARNING Prior to any cleaning or maintenance, disconnect the power tool from the power supply in order to avoid accidents.

WARNING When using in environments with conductive dust in the air, such as when working metals, this dust can settle in the interior of the power tool. This can impair the total insulation of the power tool. Therefore, regularly blow out the interior of the power tool from outside via the ventilation openings with dry, oil-free compressed air; always wear eye protection when doing this. For additional protection, connect a residual current device (RCD) on the line side.

NOTE: Such a device is also known as a (PRCD = portable residual current device) or (GFCI = ground fault circuit interrupter) or (ALCI = appliance leakage current interrupter) or (ELCB = earth leakage breaker).

CAUTION Do not attempt to clean clogged or dirty ventilation openings of the power tool with pointed metal objects; use nonmetal tools or objects if necessary.

CAUTION Do not use cleaning agents and solvents that can cause damage to plastic parts. These include: Gasoline, carbon-tetrachloride, chloric solvents, ammonia and domestic cleaning agents that contain ammonia.

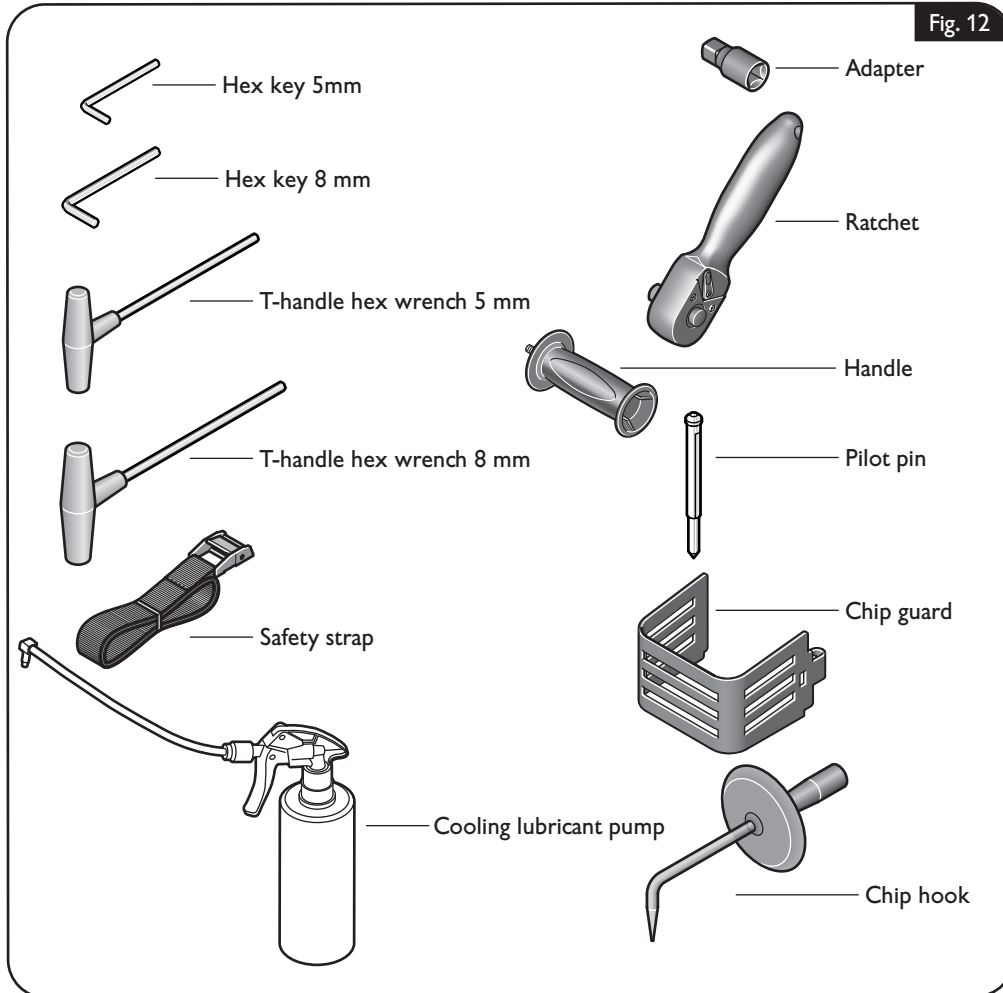
Warranty and liability.

The warranty for the product is valid in accordance with the legal regulations in the country where it is marketed.

Environmental protection, disposal.

Packaging worn out power tools and accessories should be sorted for environmentally friendly recycling. Further information can be obtained from your dealer.

Provided accessories (figure 12).



Pour votre sécurité.

⚠ AVERTISSEMENT Lisez tous les avertissements de sécurité et

toutes les instructions. Ne pas suivre les avertissements et instructions peut donner lieu à une électrocution, un incendie et/ou une blessure sérieuse.

Conservez tous les avertissements et toutes les instructions pour pouvoir vous y reporter ultérieurement.

⚠ Ne pas utiliser cet outil électrique avant d'avoir soigneusement lu et parfaitement compris cette notice d'utilisation y compris les figures, les spécifications, les consignes de sécurité ainsi que les indications marquées par DANGER, AVERTISSEMENT et ATTENTION.

N'utiliser cet outil électrique que pour les travaux pour lesquels il a été conçu par le fabricant. N'utiliser que des outils de travail et accessoires autorisés par le fabricant.

De même, respectez les dispositions concernant la prévention des accidents du travail en vigueur dans le pays en question.

Le non-respect des instructions de sécurité se trouvant dans la documentation mentionnée peut entraîner un choc électrique, un incendie et/ou de graves blessures.

Bien garder cette notice d'utilisation en vue d'une utilisation ultérieure ; elle doit être jointe à l'appareil en cas de transmission ou de vente à une tierce personne.

GARDER SOIGNEUSEMENT CES INSTRUCTIONS DE SECURITE.

Le terme « outil électrique » dans les consignes de sécurité fait référence à votre outil électrique alimenté par le secteur (avec cordon d'alimentation) ou votre outil fonctionnant sur batterie (sans cordon d'alimentation).

Instructions générales de sécurité.

1) Zone de travail

- a) **Conserver la zone de travail propre et bien éclairée.** Les zones en désordre ou sombres sont propices aux accidents.
- b) **Ne pas faire fonctionner les outils électriques en atmosphère explosive, par exemple en présence de liquides inflammables, de gaz ou de poussières.** Les

outils électroportatifs produisent des étincelles qui peuvent enflammer les poussières ou les fumées.

- c) **Maintenir les enfants et les personnes présentes à l'écart pendant l'utilisation de l'outil.** Les distractions peuvent vous faire perdre le contrôle de l'outil.

2) Sécurité électrique

- a) **Il faut que les fiches de l'outil électrique soient adaptées au socle. Ne jamais modifier la fiche de quelque façon que ce soit. Ne pas utiliser d'adaptateurs avec des outils à branchement de terre.** Des fiches non modifiées et des socles adaptés réduiront le risque de choc électrique.

- b) **Eviter tout contact du corps avec des surfaces reliées à la terre telles que les tuyaux, les radiateurs, les cuisinières et les réfrigérateurs.** Il existe un risque accru de choc électrique si votre corps est relié à la terre.

- c) **Ne pas exposer les outils à la pluie ou à des conditions humides.** La pénétration d'eau à l'intérieur d'un outil augmentera le risque de choc électrique.

- d) **Ne pas maltraiter le cordon. Ne jamais utiliser le cordon pour porter, tirer ou débrancher l'outil. Maintenir le cordon à l'écart de la chaleur, du lubrifiant, des arêtes ou des parties en mouvement.** Des cordons endommagés ou emmêlés augmentent le risque de choc électrique.

- e) **Lorsqu'on utilise un outil à l'extérieur, utiliser un prolongateur adapté à l'utilisation extérieure.** L'utilisation d'un cordon adapté à l'utilisation extérieure réduit le risque de choc électrique.

- f) **Si l'usage d'un outil dans un emplacement humide est inévitable, utilisez une alimentation protégée par un dispositif à courant différentiel résiduel (RCD).** L'usage d'un RCD réduit le risque de choc électrique.

3) Sécurité des personnes

- a) **Rester vigilant, regarder ce que vous êtes en train de faire. Faire preuve de bon sens dans votre utilisation de l'outil. Ne pas utiliser un outil lorsque vous êtes fatigué ou sous l'emprise de drogues, d'alcool ou de médicaments.** Un moment d'inattention en cours d'utilisation d'un outil peut entraîner des blessures graves des personnes.
- b) **Utiliser un équipement de sécurité. Toujours porter une protection pour les yeux.** Les équipements de sécurité tels que les masques contre les poussières, les chaussures de sécurité antidérapantes, les casques ou les protections acoustiques utilisés pour les conditions appropriées réduiront les blessures de personnes.
- c) **Éviter tout démarrage intempestif. S'assurer que l'interrupteur est en position arrêt avant de retirer la fiche de la prise de courant.** Porter les outils en ayant le doigt sur l'interrupteur ou brancher des outils dont l'interrupteur est en position marche est source d'accidents.
- d) **Retirer toute clé de réglage avant de mettre l'outil en marche.** Une clé laissée fixée sur une partie tournante de l'outil peut donner lieu à des blessures de personnes.
- e) **Ne pas se précipiter. Garder une position et un équilibre adaptés à tout moment.** Cela permet un meilleur contrôle de l'outil dans des situations inattendues.
- f) **S'habiller de manière adaptée. Ne pas porter de vêtements amples ou de bijoux. Garder les cheveux, les vêtements et les gants à distance des parties en mouvement.** Des vêtements amples, des bijoux ou les cheveux longs peuvent être pris dans des parties en mouvement.
- g) **Si des dispositifs sont fournis pour le raccordement d'équipements pour l'extraction et la récupération des poussières, s'assurer qu'ils sont connectés et correctement utilisés.** Utiliser des collecteurs de poussière peut réduire les risques dus aux poussières.

4) Utilisation et entretien de l'outil

- a) **Ne pas forcer l'outil. Utiliser l'outil adapté à votre application.** L'outil adapté réalisera mieux le travail et de manière plus sûre au régime pour lequel il a été construit.
- b) **Ne pas utiliser l'outil si l'interrupteur ne permet pas de passer de l'état de marche à arrêt et vice versa.** Tout outil qui ne peut pas être commandé par l'interrupteur est dangereux et il faut le réparer.
- c) **Débrancher la fiche de la source d'alimentation en courant et/ou le bloc de batteries de l'outil avant tout réglage, changement d'accessoires ou avant de ranger l'outil.** De telles mesures de sécurité préventives réduisent le risque de démarrage accidentel de l'outil.
- d) **Conserver les outils à l'arrêt hors de la portée des enfants. Ne pas permettre à des personnes ne connaissant pas l'outil ou les présentes instructions de le faire fonctionner.** Les outils sont dangereux entre les mains d'utilisateurs novices.
- e) **Observer la maintenance de l'outil. Vérifier qu'il n'y a pas de mauvais alignement ou de blocage des parties mobiles, des pièces cassées ou toute autre condition pouvant affecter le fonctionnement de l'outil. En cas de dommages, faire réparer l'outil avant de l'utiliser.** De nombreux accidents sont dus à des outils mal entretenus.
- f) **Garder affûtés et propres les outils permettant de couper.** Des outils destinés à couper correctement entretenus avec des pièces coupantes tranchantes sont moins susceptibles de bloquer et sont plus faciles à contrôler.
- g) **Utiliser l'outil, les accessoires et les lames etc., conformément à ces instructions et aux prescriptions en vigueur pour ce type d'appareil. Tenir compte également des conditions de travail et du travail à réaliser.** L'utilisation de l'outil pour des opérations différentes de celles prévues pourrait donner lieu à des situations dangereuses.

5) Maintenance et entretien

- a) **Faire entretenir l'outil par un réparateur qualifié utilisant uniquement des pièces de rechange identiques.** Cela assurera que la sécurité de l'outil est maintenue.

Instructions particulières de sécurité.

Toujours porter un équipement de protection. En fonction de l'application, porter un écran facial ou des lunettes de sécurité. Utiliser une protection auditive. Les lunettes de sécurité doivent pouvoir protéger les yeux contre les particules projetées lors de toutes sortes de travaux. Une exposition permanente au bruit intense peut provoquer une perte d'audition. **Ne touchez pas les bords aigus de la fraise à carotter.** Danger de blessure.

Remplacer immédiatement une gaine de protection

endommagée. Une gaine de protection défectueuse peut entraîner une surchauffe de la machine et avoir un arrêt d'urgence pour conséquence.

Avant la première mise en service : Monter le protège-mains sur la machine.

Sécuriser l'outil électrique uniquement avec la sangle livrée avec. La force d'attraction magnétique n'est plus active lors d'une panne de courant ou lorsque l'appareil est débranché. Lors des travaux, veiller à toujours se protéger contre les objets tombants tels que carottes et copeaux.

Effectuez les travaux sur les éléments de construction verticaux ou au-dessus de la tête sans utiliser le réservoir du liquide de refroidissement. Utilisez un spray refroidissant. Les liquides qui entreraient dans l'outil électroportatif peuvent causer un choc électrique.

Évitez de toucher la carotte qui est automatiquement éjectée par la goupille de centrage quand le travail est terminé. Le contact avec la carotte brûlante ou qui tombe peut entraîner des blessures.

N'utilisez l'outil électrique qu'avec des prises de courant de sécurité conformes à la législation. N'utilisez que des câbles de raccordement en parfait état et des rallonges régulièrement contrôlées. Un conducteur de protection discontinu peut entraîner un choc électrique.

Maintenir vos mains, vêtements etc. toujours loin des copeaux en rotation pour éviter de vous blesser. Les copeaux peuvent causer des blessures. Toujours utiliser le protège-mains. **N'essayez pas d'enlever l'outil de travail tant qu'il est en rotation.** Ceci peut causer de blessures graves.

Tenir l'outil par les surfaces de préhension isolées, lors de la réalisation d'une opération au cours de laquelle l'organe de coupe peut entrer en contact avec un câblage non apparent ou son propre cordon d'alimentation. Le contact avec un fil « sous tension » peut également mettre « sous tension » les parties métalliques exposées de l'outil électrique et provoquer un choc électrique sur l'opérateur.

Faites attention aux câbles électriques, conduites de gaz et d'eau éventuellement cachés. Avant de commencer le travail, contrôlez la zone de travail à l'aide d'un détecteur de métaux par exemple.

Ne travaillez pas de matériaux contenant de l'amiante. L'amiante est considérée comme cancérigène.

Il est interdit de visser ou de riveter des plaques ou des repères sur l'outil électrique. Une isolation endommagée ne présente aucune protection contre une électrocution. Utilisez des autocollants.

Ne pas surcharger l'outil électrique ou le coffret de rangement et ne pas l'utiliser en tant qu'échelle ou échafaudage. Surcharger ou se placer sur l'outil électrique ou le coffret de rangement peut causer le déplacement du centre de gravité de l'outil électrique ou du coffret de rangement vers le haut provoquant ainsi le renversement de ce dernier.

N'utilisez pas des accessoires qui n'ont pas été spécialement conçus ou autorisés par le fabricant de l'outil électrique. Le seul fait qu'un accessoire puisse être monté sur votre outil électrique ne garantit pas une utilisation sans risque.

Nettoyez régulièrement les ouïes de ventilation de l'outil électrique avec des outils non métalliques. La ventilation du moteur aspire la poussière à l'intérieur du carter. Une trop grande quantité de poussière de métal accumulée peut provoquer des incidents électriques.

Avant la mise en service, assurez-vous que le câble de raccordement et la fiche sont en parfait état.

Recommandation : Toujours faire fonctionner l'outil électrique sur un réseau électrique équipé d'un dispositif à courant différentiel réduit (RCD) 30 mA max.

Maniement de poussières nocives.

⚠ AVERTISSEMENT Lors du travail avec des outils, par ex. lors du ponçage, polissage, sciage ou d'autres opérations enlevant du matériau, des poussières sont générées qui peuvent être nocives pour la santé, auto-inflammables ou explosives.

Toucher ou aspirer certaines poussières peut causer des réactions allergiques et/ou des maladies respiratoires, un cancer, des malformations à la naissance ou autres anomalies de reproduction auprès de l'utilisateur ou de personnes se trouvant à proximité.

Quelques exemples de tels matériaux et des produits chimiques qu'ils contiennent dont l'usinage génère des poussières nocives :

- l'amiante et les matériaux contenant de l'amiante ;
- peintures contenant du plomb, certains bois tels que le bois de chêne et de hêtre ;
- minéraux et métal ;
- les particules de silicate contenues dans les briques, le béton et autres matériaux contenant de la roche ;
- les solvants contenus dans les vernis et peintures ;
- l'arsenic, le chrome et d'autres lazures ;
- produits pour la lutte contre les vermines sur la coque de bateaux et de bâtiments ;
- poussières d'aciers fins, poussières de métaux et poussières de métaux non-ferreux.

Pour minimiser la résorption indésirable de ces matériaux :

- Utilisez une aspiration adaptée à la poussière générée.
- Utilisez des équipements personnels de protection tels que par exemple un masque anti-poussière de la classe filtre P2.
- Veillez à bien aérer la zone de travail.

Le risque causé par le fait d'aspirer des poussières dans les poumons dépend de la fréquence à laquelle ces matériaux sont travaillés. Les matériaux contenant de l'amiante ne doivent être travaillés que par des personnes qualifiées.

⚠ ATTENTION Les poussières de bois et les poussières de métaux légers peuvent causer une auto-inflammation ou une explosion.

Des mélanges chauds de poussières de ponçage contenant des résidus de vernis, de polyuréthane ou de produits chimiques dans le sac à poussières ou dans le filtre de l'aspirateur peuvent s'enflammer dans certaines conditions telles que projection d'étincelles lors du ponçage de métaux, rayonnement solaire direct permanent ou température ambiante élevée. Pour prévenir ces conditions :

- Evitez la surchauffe des matériaux travaillés et de l'outil électrique.
- Videz à temps le bac de récupération des poussières.
- Respectez les indications de travail du fabricant du matériau.
- Respectez les règlements en vigueur aux matériaux à traiter.

Valeurs d'émission du niveau sonore (Indication à deux chiffres conformément à la norme ISO 4871)

Emission acoustique

Mesure réelle (A) du niveau de pression acoustique sur le lieu de travail L_{pA} (re 20 μPa), en décibel	83.6
Incertitude K_{pA} , en décibel	3
Mesure réelle (A) du niveau d'intensité acoustique pondéré L_{WA} (re 1 pW), en décibel	94.6
Incertitude K_{WA} , en décibel	3
Mesure réelle (C) du niveau max. de pression acoustique sur le lieu de travail L_{pCpeak} en décibel	97.2
Incertitude K_{pCpeak} en décibel	3

REMARQUE : La somme de la valeur d'émission mesurée et de l'incertitude constitue la limite supérieure des valeurs qui peuvent apparaître pendant des mesurages.

 Porter une protection acoustique !

Valeurs de mesure mesurées conformément à la norme correspondante du produit.

Câble de rallonge.

⚠ AVERTISSEMENT Au cas où une rallonge serait nécessaire, la longueur ainsi que la section du conducteur de celle-ci doivent être appropriées à l'utilisation afin d'éviter une baisse de tension dans la rallonge, une perte de puissance et une surchauffe de l'outil électrique. Sinon la rallonge et l'outil électrique présentent des dangers électriques et l'efficacité du travail est entravée.

Conception de l'outil électrique :

Unité de perçage conçue pour le perçage avec fraises à carotter et forets hélicoïdaux, le lamage et le taraudage de matériaux magnétiques, dans un environnement à l'abri des intempéries avec utilisation des outils de travail et des accessoires autorisés par Slugger.



















Fonctionnement de l'outil électrique avec des générateurs de courant.

⚠ Cet outil électrique est également conçu pour fonctionner sur des groupes électrogènes d'une puissance suffisante correspondant à la norme ISO 8528, classe de modèle G2. Cette norme n'est pas respectée si le facteur de distorsion harmonique dépasse 10 %. En cas de doute, informez-vous sur le groupe électrogène utilisé.

AVERTISSEMENT Il est interdit de faire fonctionner l'outil électrique sur des générateurs de courant dont la tension à vide dépasse la valeur de tension indiquée sur la plaque signalétique de l'outil électrique.

Symboles.

Symbole, signe	Explication
	Lire impérativement les documents ci-joints tels que la notice d'utilisation et les instructions générales de sécurité.
	Suivre les indications données dans le texte ou la représentation graphique ci-contre !
	Suivre les indications données dans le texte ou la représentation graphique ci-contre !
	Avant d'effectuer ce travail, retirez la fiche de la prise de courant. Sinon, il y a risque de blessures dû à un démarrage non intentionné de l'outil électrique.
	Lors des travaux, porter une protection oculaire.
	Lors des travaux, porter une protection acoustique.
	Ne pas toucher les éléments en rotation de l'outil électrique.
	Attention aux bords tranchants des outils de travail tels que les lames des couteaux.
	Danger de glisser !
	Danger d'écrasement !
	Attention aux objets qui pourraient tomber !
	Surface chaude !
	Ne pas mettre les mains dedans !
	Attacher la ceinture !
	Signal d'interdiction général. Cette action est interdite !

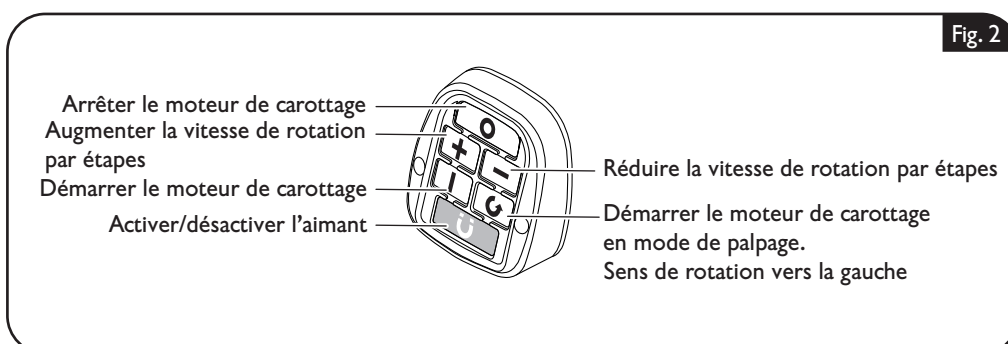
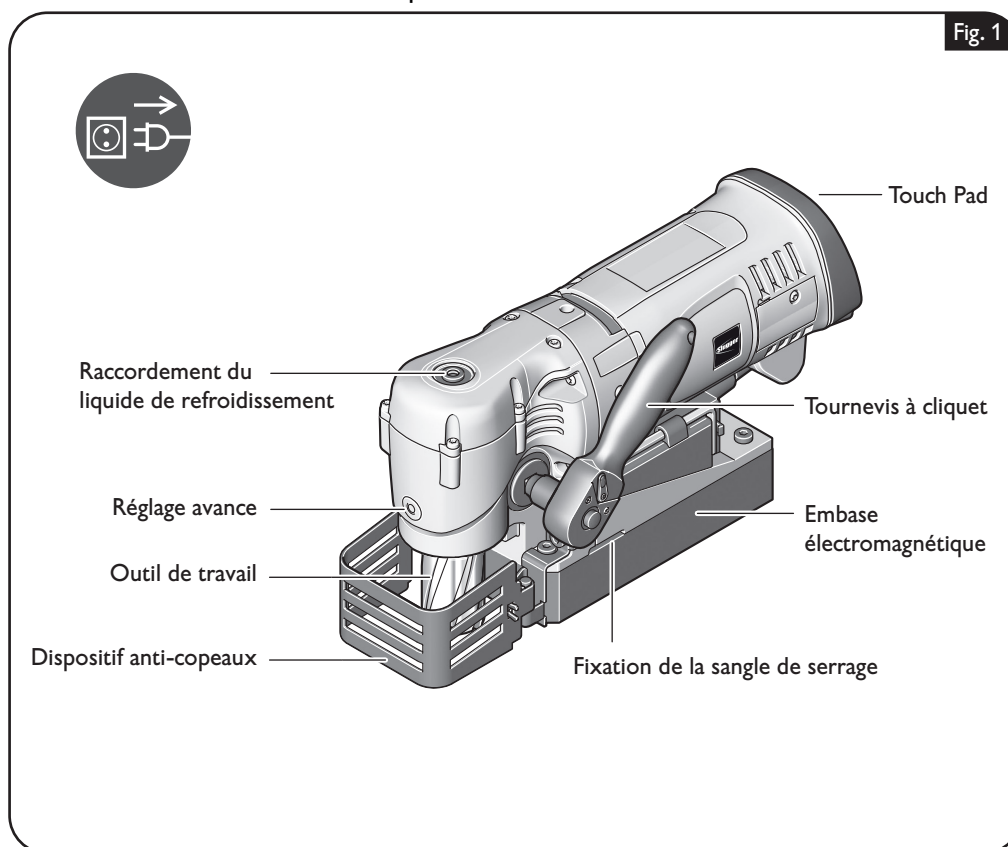
Symbole, signe	Explication
 C US	Ce symbole confirme la certification de ce produit aux États-Unis et au Canada.
	Cette indication met en garde contre une situation dangereuse imminente. Une mauvaise manipulation peut entraîner de graves blessures ou la mort.
	Cette indication indique une situation éventuellement dangereuse pouvant entraîner de graves blessures ou la mort.
	Cette indication met en garde contre une situation potentiellement dangereuse qui peut entraîner des blessures.
	Trier les outils électriques ainsi que tout autre produit électrotechnique et électrique et les déposer à un centre de recyclage respectant les directives relatives à la protection de l'environnement.
	Produit avec isolation de base et raccordement supplémentaire au conducteur de protection de tous les éléments conducteurs pouvant être touchés.
	Mise en fonctionnement
	Arrêt
~ ou a. c.	Courant alternatif
1 ~	Courant alternatif, monophasé
	Vitesse de rotation faible
	Vitesse de rotation élevée
	Force magnétique suffisante
	Force magnétique insuffisante
	Démarrer le moteur de carottage. Sens de rotation vers la droite
	Démarrer le moteur de carottage en mode de palpé. Sens de rotation vers la gauche
	Réduction de la vitesse par étapes
	Augmentation de la vitesse par étapes
	Arrêter le moteur
	Activer / désactiver l'aimant
(**)	peut contenir des chiffres ou des lettres

Signe	Unité nationale	Explication
n_0	rpm; /min; min^{-1} ; r/min	Vitesse à vide
n	rpm; /min; min^{-1} ; r/min	Vitesse de référence
P	W	Unité de mesure pour la puissance électrique
	°	Unité de mesure pour la largeur d'angle
U	V	Unité de mesure pour la tension électrique
f	Hz	Unité de mesure pour la fréquence
I	A	Unité de mesure pour l'intensité du courant électrique
m	lbs	Unité de mesure pour la masse
l	ft, in	Unité de mesure pour longueur, largeur, hauteur, profondeur, diamètre ou filetage
\emptyset	ft, in	Diamètre d'un élément
	m, s, kg, A, mm, V, W, Hz, N, °C, dB, min, m/s^2	Unités de base et unités dérivées du système international SI .

Description technique et spécification.

AVERTISSEMENT Avant de commencer les travaux de montage ou avant de changer les outils de travail et les accessoires, retirer la fiche de secteur. Cette mesure de sécurité préventive exclut un danger de blessure causé par un démarrage non intentionné de l'outil électrique.

Il se peut que seule une partie des accessoires décrits ou représentés dans cette notice d'utilisation soit fournie avec l'outil électrique.



32

fr

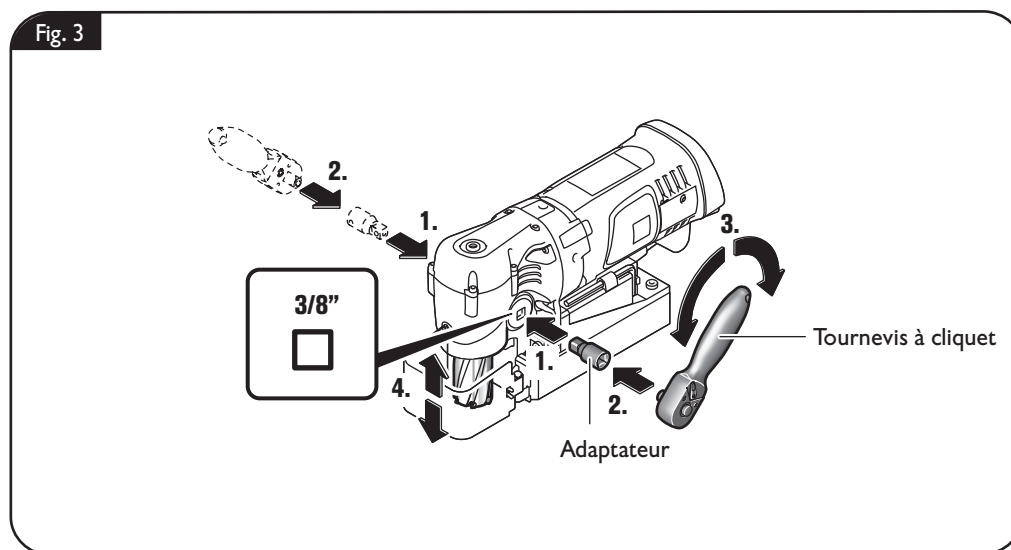
Type	JMC USA 90 (**)
Référence	7 272 ...
Courant absorbé	9.2 A
Vitesse à vide (rotation vers la droite)	
1ère vitesse	520 tr/min
Vitesse à vide (rotation vers la gauche)	
1ère vitesse	370 tr/min
Diamètre de perçage acier - carbure/ acier rapide (carotteur)	7/16 in – 1 3/8 in 12 mm – 35 mm
Diamètre de perçage acier - acier rapide (foret hélicoïdal)	5/8 in 16 mm
Alésage	1/2 in M12
Diamètre lamage	1 1/4 in 32 mm
Poids suivant EPTA-Procedure 01	16.5 lbs (7.5 kg)
Classe de protection	⊕/I
Température ambiante admissible	23°F ... 104°F -5°C ... +40°C

Indications de montage.

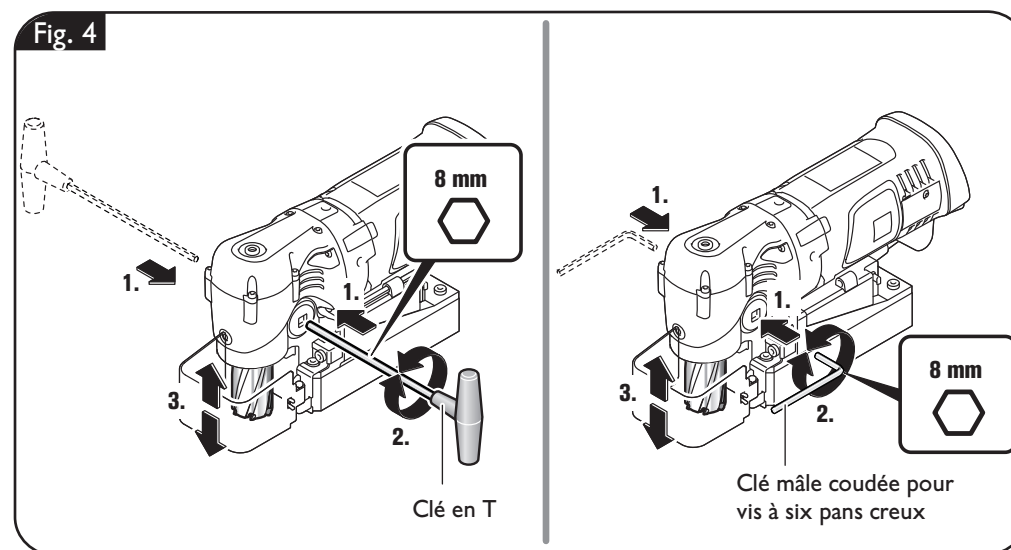
AVERTISSEMENT Avant de commencer les travaux de montage ou avant de changer les outils de travail et les accessoires, retirer la fiche de secteur. Cette mesure de sécurité préventive exclut un danger de blessure causé par un démarrage non intentionné de l'outil électrique.

Montage de l'adaptateur et du tournevis à cliquet (figure 3).

Monter l'adaptateur et le tournevis à cliquet à droite ou à gauche pour ajuster la broche de perçage.



La broche de perçage peut être ajustée des deux côtés à l'aide d'une clé en T ou d'une clé pour vis à six pans creux (figure 4).



Remplissage du réservoir du liquide de refroidissement (figure 5)

⚠ AVERTISSEMENT Evitez l'écoulement du liquide de refroidissement le long du câble dans la prise ou dans l'unité de perçage ; ceci peut causer un choc électrique. Faites une boucle avec le câble devant la prise pour permettre au liquide de s'égoutter.

Ouvrez le bouchon du réservoir de liquide de refroidissement.

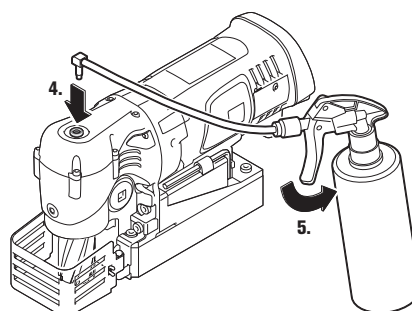
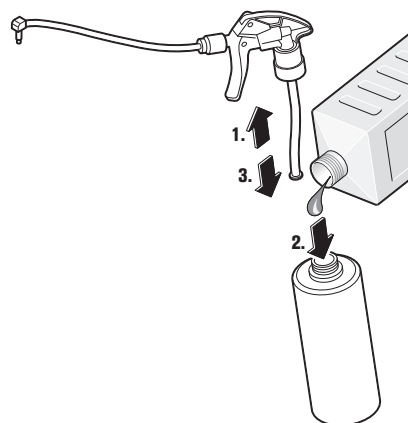
Remplissez d'un liquide de refroidissement solubles à l'eau, pouvant être pompé, par ex. huile de coupe Slugger.

Montez le capuchon du réservoir du liquide de refroidissement.

Introduisez le tuyau dans le raccordement du liquide de refroidissement de la machine et pompez du liquide de refroidissement.

Ne pas utiliser la carottière si le système de refroidissement est défectueux. **Avant chaque utilisation**, contrôler l'étanchéité et si les tuyaux flexibles présentent des fissures. Éviter la pénétration de liquide dans les éléments électriques.

Fig. 5



Changement d'outil (figure 6).

AVERTISSEMENT Avant de commencer les travaux de montage ou avant de changer les outils de travail et les accessoires, retirer la fiche de secteur. Cette mesure de sécurité préventive exclut un danger de blessure causé par un démarrage non intentionné de l'outil électrique.

Rabattre le dispositif anti-copeaux vers le côté.

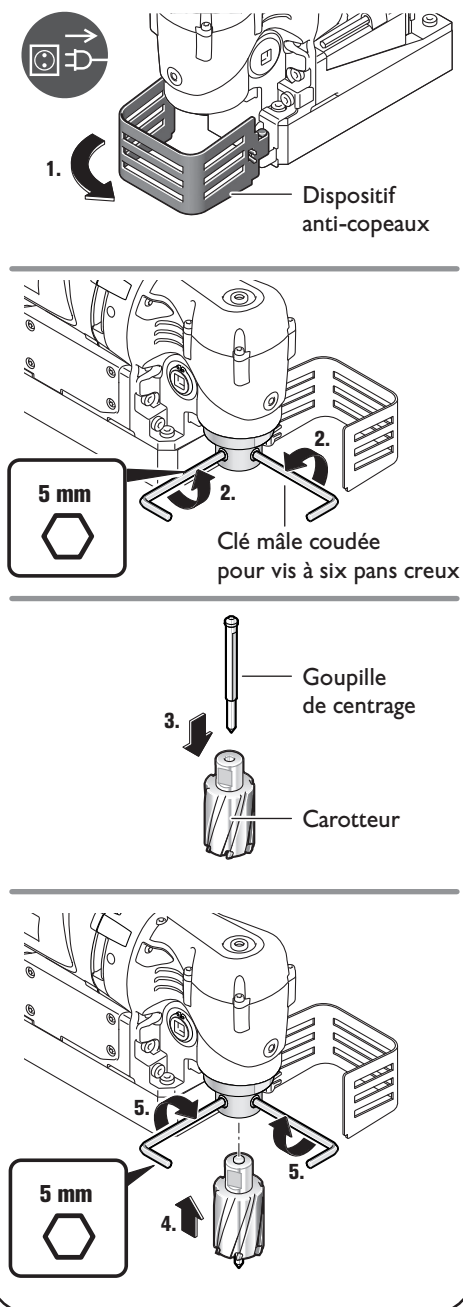
Desserrez les deux vis du porte-outil à l'aide d'une clé mâle pour vis à six pans creux.

Faites passer la tige de centrage à travers la fraise à carotter.

Montez la fraise à carotter avec la tige de centrage dans le porte-outil.

Serrez les deux vis du porte-outil à l'aide de la clé mâle pour vis à six pans creux contre les surfaces de la tige de l'accessoire.

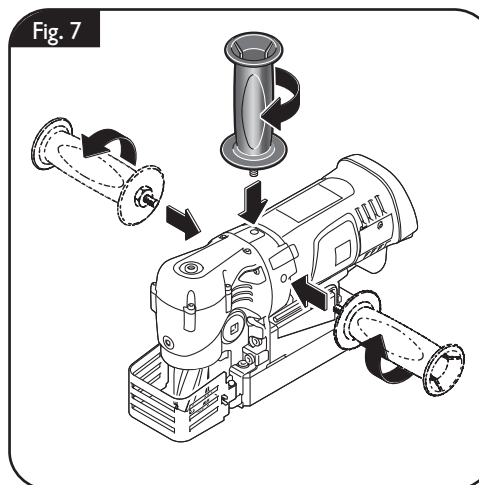
Fig. 6



Indications pour le travail.

Fixer la poignée (figure 7).

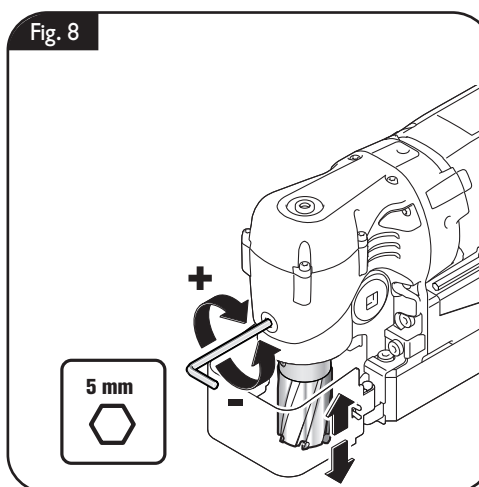
La poignée pour porter l'outil électrique peut être fixée latéralement ou en haut.



Avance (figure 8).

N'appliquez que la force d'avance absolument nécessaire. Les forces d'avance trop élevées peuvent entraîner une rupture de l'accessoire et une perte de la force d'attraction magnétique.

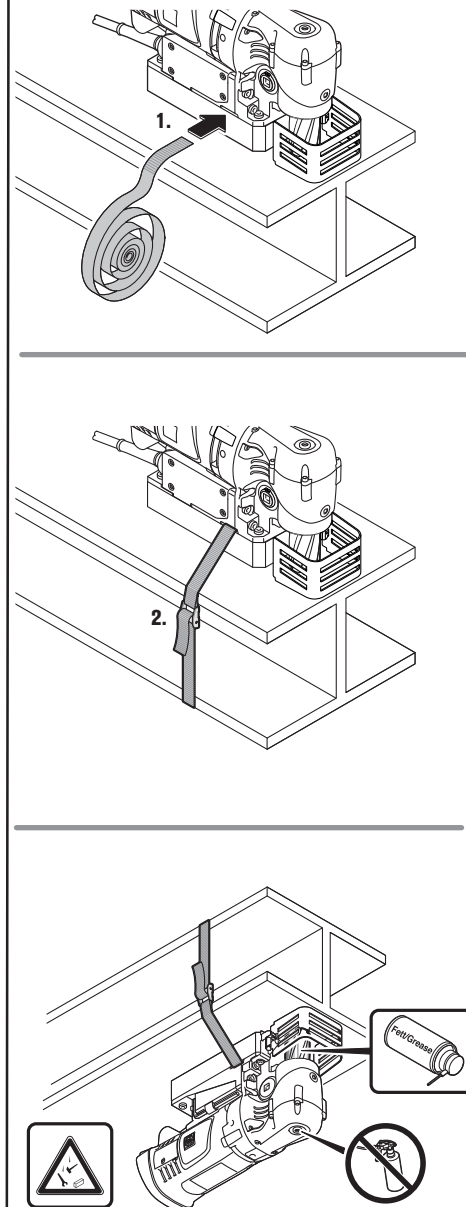
Ajuster le jeu et la résistance à l'avancement à l'aide d'une clé pour vis à six pans creux :
 Rotation vers la droite = jeu faible, résistance à l'avancement élevée
 Rotation vers la gauche = jeu important, résistance à l'avancement faible.



Montage de la sangle de serrage (figure 9).

⚠ AVERTISSEMENT Sécuriser l'outil électrique uniquement avec la sangle livrée avec. La force d'attraction magnétique n'est plus active lors d'une panne de courant ou lorsque l'appareil est débranché. Bloquez la machine sur la pièce à l'aide de la sangle de serrage.

Fig. 9



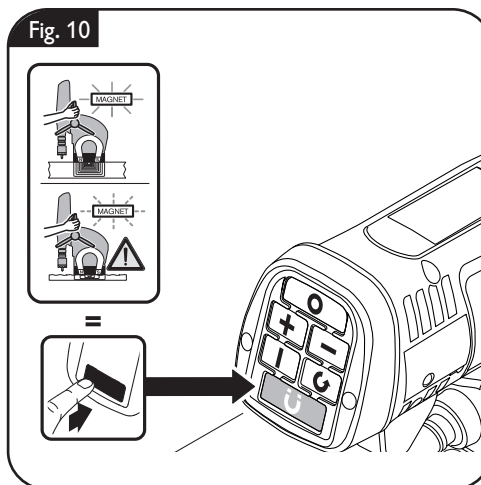
Mise en marche de l'aimant (figure 10).

⚠ Veillez à ce que la surface sur laquelle est posée l'embase électromagnétique soit plane, propre et exempte de rouille. Enlevez les couches de vernis et de mastic.


⚠ Lors des travaux, utilisez toujours l'embase électromagnétique et veillez à ce que la force magnétique soit suffisante. Pour les travaux sur les matériaux non ferreux, utilisez des dispositifs de fixation appropriés du fabricant, disponibles comme accessoires, tels que par ex. plaque à vide ou dispositif de perçage pour tuyaux.

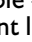
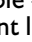
Afin de garantir la force d'attraction magnétique également avec des matériaux en acier d'une épaisseur inférieure à 12 mm, renforcer la pièce à travailler par une plaque supplémentaire en acier.


Appuyez sur la touche magnétique pour la mise en service de l'outil.

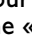


Démarrage et arrêt du moteur de carottage (figure 11).

Pour démarrer le moteur en rotation droite, appuyez sur la touche portant le symbole «  ». Le moteur démarre à la vitesse la plus élevée.


La vitesse de rotation réglée pour le travail précédent est automatiquement mémorisée. Afin de démarrer l'outil électrique à la vitesse de rotation réglée en dernier, actionnez et maintenez appuyée la touche portant le symbole «  », puis appuyez sur la touche portant le symbole «  ».

Pour réduire la vitesse, appuyez sur la touche «  ».

Pour augmenter la vitesse, appuyez sur la touche «  ».

Pour arrêter le moteur de carottage, appuyez sur la touche «  ».

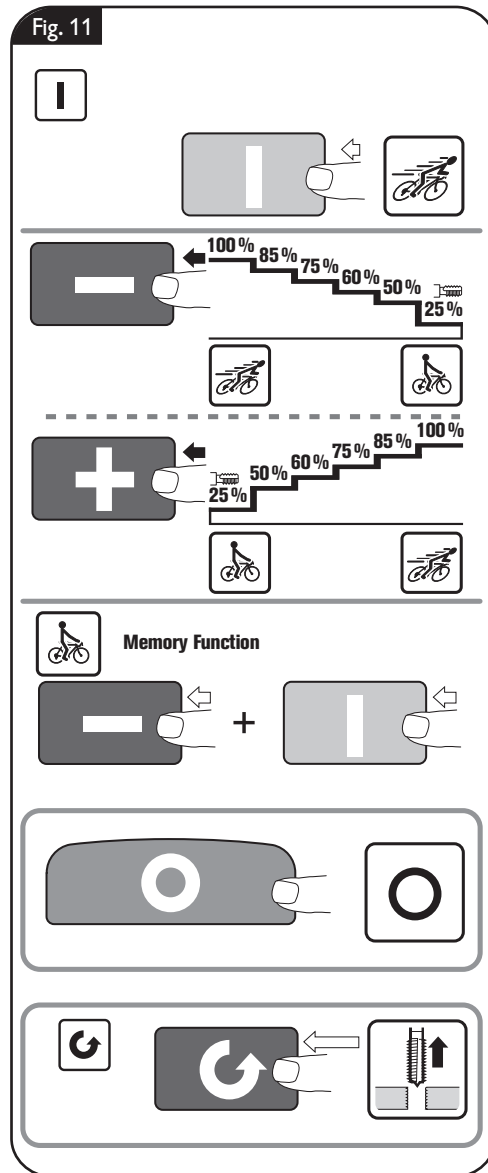
N'arrêtez pas le moteur de carottage durant le processus de perçage.

Pour démarrer le moteur en rotation gauche, appuyez sur la touche portant le symbole «  ». Le moteur de carottage reste en marche tant que la touche est appuyée.

Lorsque l'alimentation en courant électrique est interrompue alors que le moteur est en marche, un dispositif de rupture de protection empêche un redémarrage automatique. Redémarrez le moteur.

Dans le cas d'une surcharge, le moteur s'arrête automatiquement et doit être redémarré à nouveau.

La machine dispose d'un détecteur de mouvement. Un mouvement trop important déclenche ce capteur, ce qui arrête le moteur. Pour continuer l'utilisation, redémarrer le moteur de carottage.



Indications pour les travaux de carottage.

Ne sortir l'outil coupant du perçage que lorsque le moteur tourne encore.

Au cas où l'outil coupant resterait coincé dans le matériau, arrêter le moteur de carottage et sortir prudemment l'outil coupant en le tournant dans le sens inverse des aiguilles d'une montre.

Enlevez les copeaux et la carotte après chaque opération de perçage.

- !** Ne touchez pas les copeaux à la main. Utilisez toujours un crochet à copeaux.

ATTENTION Danger de brûlure ! La surface de l'aimant peut atteindre des températures élevées. Ne touchez pas l'aimant à la main.

Pour les travaux de carottage dans des matériaux composites, utilisez un carotteur Slugger ID approprié.

Lors du remplacement de l'outil, ne pas endommager les arêtes de coupe.

Lors du carottage de matériaux stratifiés, enlever la carotte et les copeaux après chaque couche percée.

Pour le taraudage, n'utiliser que la clé en T ou la clé pour vis à six pans creux fournie avec pour ajuster la broche de perçage.

Message d'erreur/comportement touche aimant	Explication	Remède
Le voyant s'allume vert	Force d'attraction magnétique suffisante.	
Le voyant clignote vert	Force d'attraction magnétique éventuellement insuffisante.	Afin de garantir la force d'attraction magnétique également avec des matériaux en acier d'une épaisseur inférieure à 12 mm, renforcer la pièce à travailler par une plaque supplémentaire en acier.
Voyant s'allume rouge pendant 1 seconde	<ul style="list-style-type: none"> - Le détecteur de mouvement a sauté - La coupure de surcharge a sauté - fausse tension du réseau 	Une fois l'erreur corrigée, la machine peut être remise en marche.
Voyant clignote rouge 3x	pas de signal de vitesse de rotation	Si cette erreur réapparaît, faire parvenir la machine à un service après-vente Slugger.
Voyant reste allumé rouge en permanence	<ul style="list-style-type: none"> - fausse tension du réseau/fréquence du réseau - Montant de carottage est surchauffé - Touche est bloquée lors de la mise en marche 	<p>Une fois l'erreur corrigée, la machine peut être remise en marche.</p> <p>Si cette erreur réapparaît, faire parvenir la machine à un service après-vente Slugger.</p>
Voyant clignote rouge en permanence	Machine défectueuse.	Faire parvenir la machine à un service après-vente Slugger.

Travaux d'entretien et service après-vente.

AVERTISSEMENT



Avant de commencer les travaux de montage ou avant de changer les outils de travail et les accessoires, retirer la fiche de secteur. Cette mesure de sécurité préventive exclut un danger de blessure causé par un démarrage non intentionné de l'outil électrique.

Pièces remplaçables.

Si nécessaire, vous pouvez vous-même remplacer les éléments suivants :

Accessoires, poignées, pare-copeaux, sangle de serrage

Système de refroidissement.

Rincez le système de refroidissement avec de l'eau, nettoyez-le et purgez-le complètement, si la machine est arrêtée pendant plus de deux semaines.

En service continu vous devez également rincer le système de refroidissement toutes les 4 semaines environ avec de l'eau et le nettoyer.

Service après-vente.

AVERTISSEMENT **Ne faire effectuer les travaux d'entretien que par des personnes qualifiées.** Les câbles et éléments mal montés peuvent présenter des risques graves. Ne faire effectuer les travaux d'entretien que par une station de Service Après-Vente Slugger.

ATTENTION Si un câble d'alimentation de l'outil électrique est endommagé, il doit être remplacé par un câble d'alimentation spécialement préparé disponible auprès du Service Après-Vente de Slugger. Vous trouverez la liste actuelle des pièces de rechange pour cet outil électroportatif sur notre site www.fein.com.

Nettoyage.

AVERTISSEMENT **Afin d'éviter des accidents, débranchez l'outil électrique de l'alimentation en courant avant d'effectuer un nettoyage ou des travaux d'entretien ou de maintenance.**

AVERTISSEMENT **S'il y a de la poussière conductrice dans l'air lors de l'utilisation de l'outil, p. ex. lors du traitement de métaux, cette poussière peut se déposer à l'intérieur de l'outil électrique. La double isolation de l'outil électrique peut ainsi être endommagée. Soufflez alors régulièrement de l'extérieur de l'air comprimé sec exempt d'huile dans l'intérieur de l'outil électrique à travers les ouïes de ventilation ; utilisez toujours une protection oculaire. Pour une protection supplémentaire, placez un dispositif à courant différentiel résiduel (RCD) en amont.**

REMARQUE : Un tel composant est également nommé (PRCD) ou (GFCI) ou (ALCI) ou (ELCB).

ATTENTION N'essayez pas de nettoyer les orifices de ventilation à l'aide d'objets métalliques pointus ; utilisez des outils non-métalliques.

ATTENTION **N'utilisez pas de détergents ou de solvants qui peuvent endommager les parties en matière plastique.** Par exemple : l'essence, le tétrachlorure de carbone, solvants chlorés, l'ammoniaque et produits de nettoyage domestiques contenant de l'ammoniaque.

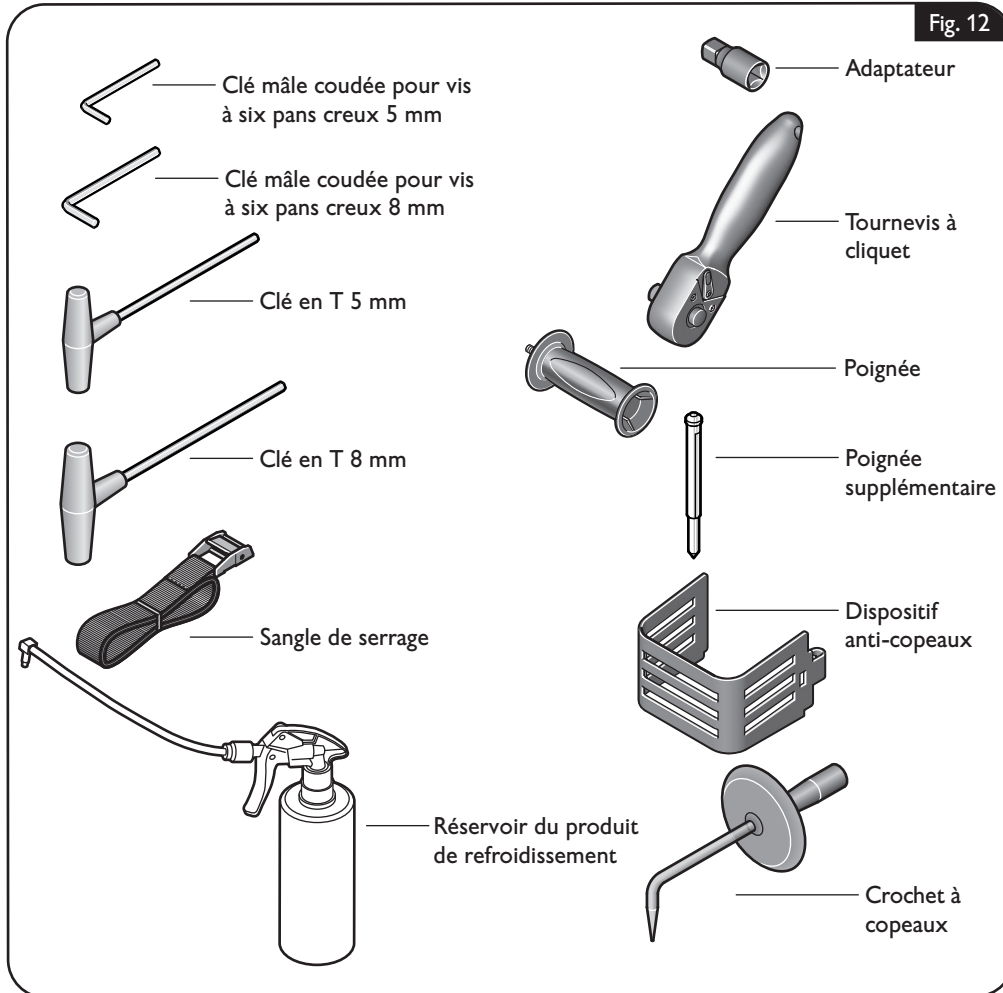
Garantie.

La garantie du produit est valable conformément à la réglementation légale en vigueur dans le pays où le produit est mis sur le marché.

Protection de l'environnement, recyclage.

Rapporter les emballages, les outils électriques hors d'usage et les accessoires dans un centre de recyclage respectant les directives concernant la protection de l'environnement. Pour plus de précisions, veuillez vous adresser à votre revendeur spécialisé.

Accessoires fournis (figure 12).



Para su seguridad.

⚠ ADVERTENCIA Lea íntegramente estas advertencias de peligro e instrucciones. En caso de no atenerse a las advertencias de seguridad siguientes, ello puede ocasionar una descarga eléctrica, un incendio y/o lesión grave.

Guardar todas las advertencias de peligro e instrucciones para futuras consultas.

👤 No utilice esta herramienta eléctrica sin haber leído antes con detenimiento y haber entendido por completo estas instrucciones de uso, inclusive las ilustraciones, especificaciones, reglas de seguridad, así como las indicaciones identificadas con PELIGRO, ADVERTENCIA y PRECAUCIÓN.

Solamente use esta herramienta eléctrica para realizar los trabajos que el fabricante ha previsto para la misma. Únicamente utilice los útiles de corte y accesorios aprobados por el fabricante.

Observe también las respectivas prescripciones contra accidentes de trabajo vigentes en su país.

En caso de no atenerse a las instrucciones de seguridad mencionadas en la documentación previamente citada, ello puede provocar una electrocución, incendio y/o lesión grave.

Guarde estas instrucciones de uso para posteriores consultas y entréguelas al usuario en caso de prestar o vender la máquina.

GUARDAR ESTAS INSTRUCCIONES EN UN LUGAR SEGURO.

El término "herramienta eléctrica" empleado en las siguientes instrucciones de seguridad se refiere a herramientas eléctricas de conexión a la red (con línea) y a herramientas eléctricas accionadas por batería (o sea, sin línea).

Instrucciones generales de seguridad.

1) Seguridad en el puesto de trabajo

a) Mantenga limpio y bien iluminado su puesto de trabajo. El desorden y una iluminación deficiente en las áreas de trabajo pueden provocar accidentes.

b) No utilice la herramienta eléctrica en un entorno con peligro de explosión, en el que se encuentren combustibles líquidos, gases o material en polvo. Las herramientas eléctricas producen chispas que pueden llegar a inflamar los materiales en polvo o vapores.

c) Mantenga alejados a los niños y otras personas de su puesto de trabajo al emplear la herramienta eléctrica. Una distracción le puede hacer perder el control sobre el aparato.

2) Seguridad eléctrica

a) La clavija del aparato debe corresponder al enchufe utilizado. No es admisible modificar la clavija en forma alguna. No emplear adaptadores en aparatos dotados con una toma de tierra. Las clavijas sin modificar adecuadas a los respectivos enchufes reducen el riesgo de una descarga eléctrica.

b) Evite que su cuerpo toque partes conectadas a tierra como tuberías, radiadores, cocinas y refrigeradores. El riesgo a quedar expuesto a una sacudida eléctrica es mayor si su cuerpo tiene contacto con tierra.

c) No exponga las herramientas eléctricas a la lluvia y evite que penetren líquidos en su interior. Existe el peligro de recibir una descarga eléctrica si penetran ciertos líquidos en la herramienta eléctrica.

d) No utilice la línea para transportar o colgar el aparato, ni tire de ella para sacar la clavija de la toma de corriente. Mantenga la línea alejada del calor, aceite, esquinas cortantes o piezas móviles. Las líneas dañadas o enredadas pueden provocar una descarga eléctrica.

e) Al trabajar con la herramienta eléctrica a la intemperie utilice solamente extensiones homologadas para su uso en exteriores. La utilización de una extensión adecuada para su uso en exteriores reduce el riesgo de una descarga eléctrica.

f) Si fuese imprescindible utilizar la herramienta eléctrica en un entorno húmedo, es necesario conectarla a través de un fusible diferencial. La aplicación de un fusible diferencial reduce el riesgo a exponerse a una descarga eléctrica.

3) Seguridad de personas

- a) **Esté atento a lo que hace y emplee la herramienta eléctrica con prudencia. No utilice la herramienta eléctrica si estuviese cansado, ni tampoco después de haber consumido alcohol, drogas o medicamentos.** El no estar atento durante el uso de una herramienta eléctrica puede provocarle serias lesiones.
- b) **Utilice un equipo de protección y en todo caso unas gafas de protección.** El riesgo a lesionarse se reduce considerablemente si, dependiendo del tipo y la aplicación de la herramienta eléctrica empleada, se utiliza un equipo de protección adecuado como una mascarilla cubrepolvo, zapatos de seguridad antideslizantes, cubierta, o protectores auditivos.
- c) **Evite una puesta en marcha fortuita del aparato. Asegúrese de que el aparato esté apagado antes de conectarlo al enchufe.** Si transporta el aparato sujetándolo por el switch, o si conecta la clavija al enchufe con el aparato encendido, ello puede dar lugar a un accidente.
- d) **Retire las herramientas de ajuste o llaves fijas antes de conectar la herramienta eléctrica.** Una herramienta o llave colocada en una pieza rotante puede producir lesiones al ponerse a funcionar.
- e) **Sea precavido. Trabaje sobre una base firme y mantenga el equilibrio en todo momento.** Ello le permitirá controlar mejor la herramienta eléctrica en caso de presentarse una situación inesperada.
- f) **Lleve puesta una ropa de trabajo adecuada. No utilice ropa amplia ni joyas. Mantenga su pelo, ropa y guantes alejados de las piezas móviles.** La ropa suelta, las joyas y el pelo largo se pueden enganchar con las piezas en movimiento.
- g) **Siempre que sea posible utilizar unos equipos de aspiración o captación de polvo, asegúrese de que éstos estén apropiadamente conectados y que sean utilizados correctamente.** El empleo de estos equipos reduce los riesgos derivados del polvo.

4) Trato y uso cuidadoso de herramientas eléctricas

- a) **No sobrecargue el aparato. Use la herramienta prevista para el trabajo a realizar.** Con la herramienta adecuada podrá trabajar mejor y más seguro dentro del margen de potencia indicado.
 - b) **No utilice herramientas con un switch defectuoso.** Las herramientas que no se puedan encender o apagar son peligrosas y deben hacerse reparar.
 - c) **Saque la clavija de la red antes de realizar un ajuste en el aparato, cambiar de accesorio o al guardar el aparato.** Esta medida preventiva reduce el riesgo a encender accidentalmente el aparato.
 - d) **Guarde las herramientas fuera del alcance de los niños y de las personas que no estén familiarizadas con su uso.** Las herramientas utilizadas por personas inexpertas son peligrosas.
 - e) **Cuide sus herramientas eléctricas con esmero. Controle si funcionan correctamente, sin atascarse, las partes móviles del aparato, y si existen partes rotas o deterioradas que pudieran afectar al funcionamiento de la herramienta. Si la herramienta eléctrica estuviese defectuosa haga repararla antes de volver a utilizarla.** Muchos de los accidentes se deben a aparatos con un mantenimiento deficiente.
 - f) **Mantenga los útiles de corte limpios y afilados.** Los útiles de corte mantenidos correctamente se dejan guiar y controlar mejor.
 - g) **Utilice herramientas eléctricas, accesorios, útiles, etc. de acuerdo a estas instrucciones y en la manera indicada específicamente para este aparato. Considere en ello las condiciones de trabajo y la tarea a realizar.** El uso de herramientas eléctricas para trabajos diferentes de aquellos para los que han sido concebidas puede resultar peligroso.
- ### 5) Servicio
- a) **Únicamente haga reparar su herramienta eléctrica por un profesional, empleando exclusivamente refacciones originales.** Solamente así se mantiene la seguridad de la herramienta eléctrica.

Instrucciones de seguridad especiales.

Utilice un equipo de protección. Dependiendo del trabajo a realizar use una protección para la cara o lentes de protección. Utilice un protector acústico. Los lentes de protección deberán ser apropiados para protegerle de los fragmentos que pudieran salir despedidos al trabajar. La exposición permanente al ruido puede provocar sordera.

No toque los fillos cortantes de la corona perforadora. Podría lesionarse.

Cambie inmediatamente una manguera de protección del cable dañada. Una manguera de protección del cable defectuosa puede provocar un sobrecalentamiento de la máquina y causar una desconexión de emergencia.

Antes de la primera puesta en marcha: Monte la guarda contra contacto en la máquina.

Siempre asegure la herramienta eléctrica con la cinta tensora suministrada. La fuerza de sujeción magnética se anula en caso de un corte de luz o al sacar la clavija de la red. Al realizar estos trabajos tenga cuidado con los objetos que pudieran caer como, p. ej., núcleos de perforación y virutas.

No utilice el depósito de refrigerante si tuviese que mantener el aparato en posición vertical o por encima de la cabeza al trabajar las piezas. Emplee un spray de refrigeración en estos casos. La penetración de líquido en la herramienta eléctrica puede ocasionar una descarga eléctrica.

Evite el contacto con el núcleo de perforación que el perno de centrado expulsa automáticamente al finalizar el trabajo. Al ser golpeado por el núcleo, que además puede estar muy caliente, puede llegar a accidentarse.

Únicamente conecte la herramienta eléctrica a tomas de corriente provistas de un contacto de protección reglamentario. Solamente utilice cables de conexión en perfectas condiciones, y unas extensiones provistas de un contacto de protección sometidas a una inspección periódica. Un cable de protección defectuoso puede provocar una descarga eléctrica.

Para no lesionarse, mantenga alejadas siempre las manos, la ropa, etc. de las virutas que se van formando al taladrar. Las virutas pueden lesionarle. Siempre utilice la guarda contra contacto.

No intente retirar el útil mientras éste esté girando todavía. Podría lesionarse gravemente.

Sujete el aparato por las áreas de agarre aisladas al realizar trabajos en los que el útil pueda tocar conductores eléctricos ocultos o el propio cable del aparato. El contacto con conductores bajo tensión puede hacer que las partes metálicas del aparato le provoquen una descarga eléctrica.

Preste atención a los conductores eléctricos y a las tuberías de agua y gas ocultas. Antes de comenzar a trabajar explore la zona de trabajo, p. ej., con un detector de metales.

No trabaje materiales que contengan amianto. El amianto es cancerígeno.

Esta prohibido fijar rótulos o señales a la herramienta eléctrica con tornillos o remaches. Un aislamiento dañado no le protege de una electrocución. Emplee etiquetas autoadhesivas.

No sobrecargue la herramienta eléctrica ni el maletín de protección y no se coloque encima de ellos. Al sobrecargar o colocarse encima de la herramienta eléctrica o del maletín de transporte puede que se desplace hacia arriba su centro de gravedad y vuelquen.

No use accesorios que no hayan sido especialmente desarrollados u homologados por el fabricante de la herramienta eléctrica. El mero hecho de que sea montable un accesorio en su herramienta eléctrica no es garantía de que su funcionamiento sea seguro.

Limpie periódicamente las rejillas de refrigeración de la herramienta eléctrica empleando herramientas que no sean de metal. El ventilador del motor aspira polvo hacia el interior de la carcasa. En caso de acumularse polvo de metal en exceso, ello puede provocar al usuario una descarga eléctrica.

Antes de la puesta en marcha inspeccione si están dañados el cable de red y el enchufe.

Recomendación: Siempre opere la herramienta eléctrica a través de un interruptor diferencial (RCD) con una corriente de disparo máxima de 30 mA.

Tratamiento de materiales en polvo peligrosos.

⚠ ADVERTENCIA Al trabajar con herramientas, p. ej., al lijar, pulir, serrar o realizar otros trabajos con arranque de material, los polvos que se producen pueden ser nocivos para la salud, autoinflamables o explosivos.

El contacto o inspiración de ciertos materiales en polvo puede provocar en el usuario, o en las personas circundantes, reacciones alérgicas y/o enfermedades respiratorias, cáncer, daños congénitos u otros trastornos reproductivos.

A continuación, indicamos algunos de estos materiales junto con los productos químicos que contienen, cuyo polvo producido al trabajar, puede ser nocivo para la salud:

- Amianto y materiales que contengan amianto;
- Pinturas que contengan plomo, ciertos tipos de madera como, p. ej., haya, encino y roble;
- Minerales y metales;
- Partículas de sílice de ladrillo, concreto y demás materiales que contengan mineral;
- Los solventes que contienen ciertas pinturas;
- Arsénico, cromo y otros conservadores de la madera;
- Materiales para combatir parásitos en cascos de botes o barcos;
- Polvos de acero inoxidable, de metales y de metales no férricos.

Para que la exposición a estos materiales sea mínima:

- Utilice un equipo de aspiración apropiado para el polvo producido.
- Use equipos de protección personal como, por ejemplo, una mascarilla guardapolvo con un filtro de la clase P2.
- Observe que esté bien ventilado el puesto de trabajo.

El riesgo derivado de la inspiración de polvo depende de la frecuencia con la que se procesen estos materiales. Los materiales que contengan amianto solamente deberán ser procesados por especialistas.

⚠ ATENCIÓN El polvo de madera y el de aleaciones ligeras puede autoinflamarse o provocar una explosión.

Si en el saco filtrante o en el filtro del aspirador, el polvo caliente producido al lijar se mezcla con restos de pintura, poliuretano, u otras materias químicas, puede que ésta se autoincendie bajo condiciones desfavorables como, p. ej., el salto de chispas al lijar metales, la exposición permanente y directa al sol, o una temperatura ambiente elevada. Para prevenir esta situación:


- Evite que se sobrecalienten la pieza de trabajo y la herramienta eléctrica.
- Vacíe el depósito de polvo con suficiente antelación.
- Observe las instrucciones de elaboración del fabricante del material.
- Considere las prescripciones sobre los materiales a trabajar.

Emisión de ruidos (Indicación de dos cifras según ISO 4871)

Emisión de ruido

Nivel de de presión sonora L_{pA} (re 20 μ Pa), medido con filtro A en el puesto de trabajo, en decibelios	83.6
Inseguridad K_{pA} en decibelios	3
Nivel de potencia acústica L_{wA} (re 1 pW), medido con filtro A, en decibelios	94.6
Inseguridad K_{wA} en decibelios	3
Valor pico del nivel de presión sonora L_{pCpeak} medido con filtro C en el puesto de trabajo, en decibelios	97.2
Inseguridad K_{pCpeak} en decibelios	3

OBSERVACIÓN: la suma de los valores emitidos medidos, considerando la inseguridad respectiva, representa el límite superior que puede alcanzarse en las mediciones.

 ¡Utilizar unos protectores acústicos!

Valores de medición determinados según normativa del producto pertinente.

Extensiones.

⚠ ADVERTENCIA En caso de utilizar una extensión, la longitud y la sección de la línea deberá ser la correcta para el trabajo a realizar para evitar una caída de tensión en la línea, una reducción de la potencia, y el sobrecalentamiento de la herramienta eléctrica. De lo contrario, se presentan peligros de origen eléctrico en la extensión y en la herramienta eléctrica, además de reducirse sus prestaciones.

Utilización reglamentaria de la herramienta eléctrica:

Unidad de taladrado para taladrar con coronas perforadoras y brocas, para avellanar y roscar en lugares cubiertos materiales con superficies magnetizables con los útiles y accesorios autorizados por Slugger.





Alimentación de la herramienta eléctrica con un grupo electrógeno.



















⚠ Esta herramienta eléctrica es apta además para ser utilizada con grupos electrógenos de alterna siempre que dispongan de suficiente potencia y cumplan los requisitos según norma ISO 8528 para la clase de ejecu-

ción G2. Deberá prestarse especial atención a no sobrepasar el coeficiente de distorsión máximo del 10 % establecido en dicha norma. En caso de duda consulte los datos del grupo utilizado por Ud.

⚠ ADVERTENCIA Esta prohibido conectar la herramienta eléctrica a generadores de corriente cuya tensión en vacío sea superior a la tensión indicada en la placa de características de la herramienta eléctrica.

Simbología.

Símbolo	Definición
	Es imprescindible leer los documentos que se adjuntan, como las instrucciones de servicio y las instrucciones generales de seguridad.
	¡Seguir las instrucciones indicadas al margen!
	¡Seguir las instrucciones indicadas al margen!
	Antes de realizar el paso de trabajo descrito, sacar el enchufe de la red. En caso contrario, podría accidentarse al ponerse en marcha fortuitamente la herramienta eléctrica.
	Al trabajar protegerse los ojos.
	Al trabajar utilizar un protector acústico.
	No tocar las piezas en rotación de la herramienta eléctrica.
	Atención a los cantos agudos de los útiles como, p. ej., los filos de las cuchillas.
	¡Peligro de resbalamiento!
	¡Peligro de magulladura!
	¡Atención, posible caída de objetos!
	¡Superficie muy caliente!
	¡No tocar!
	¡Amarrar con la correa!
	Símbolo de prohibición general. Esta acción está prohibida.

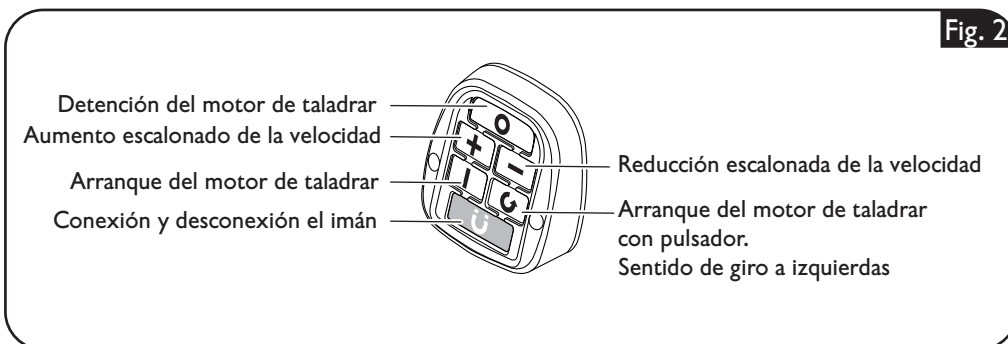
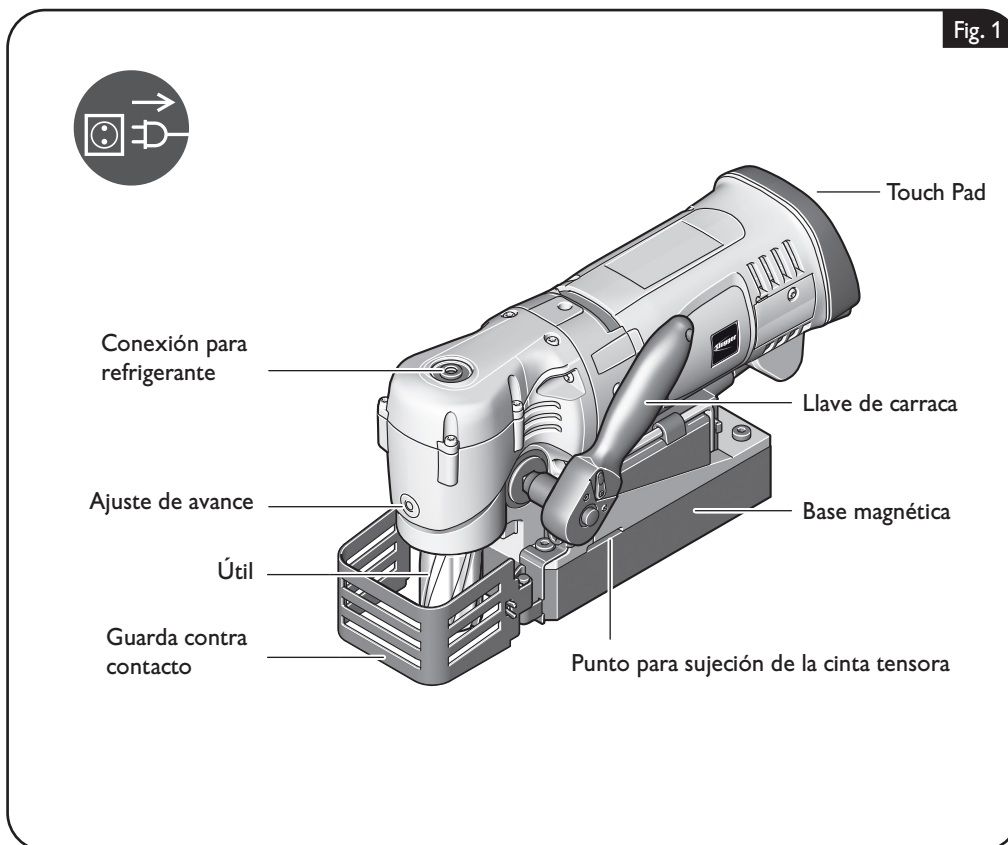
Símbolo	Definición
 C US	Este símbolo confirma que este producto ha sido certificado en USA y Canadá.
	Este símbolo advierte sobre una situación peligrosa inminente. Un comportamiento incorrecto puede dar lugar a una lesión grave o incluso mortal.
	Este símbolo advierte sobre una situación peligrosa que puede comportar lesiones graves o mortales.
	Este símbolo advierte sobre una situación peligrosa en la que pudiera lesionarse.
	Acumular por separado las herramientas eléctricas y demás productos electrotécnicos y eléctricos inservibles y someterlos a un reciclaje ecológico.
	Producto dotado con un aislamiento base además de tener conectadas al conductor de tierra las piezas conductoras de corriente susceptibles de ser tocadas.
	Conexión
	Desconexión
~ o a. c.	Corriente alterna
1 ~	Corriente alterna monofásica
	Baja velocidad
	Alta velocidad
	Fuerza de sujeción magnética, suficiente
	Fuerza de sujeción magnética, insuficiente
	Arranque del motor de taladrar. Giro a derechas
	Arranque del motor de taladrar con pulsador. Giro a izquierdas
	Reducción escalonada de la velocidad
	Aumento escalonado de la velocidad
	Detención del motor
	Conexión/desconexión del imán
(**)	Puede contener cifras o letras

Símbolo	Unidad nacional	Definición
n_0	rpm; /min; min^{-1} ; r/min	Revoluciones en vacío
n	rpm; /min; min^{-1} ; r/min	Revoluciones en vacío
P	W	Unidad de medida de la potencia
	°	Unidad de medida del ángulo
U	V	Unidad de medida de la tensión eléctrica
f	Hz	Unidad de medida de la frecuencia
I	A	Unidad de medida de la intensidad
m	lbs	Unidad de medida de la masa
l	ft, in	Unidad de medida para la longitud, ancho, altura, profundidad, diámetro o roscas
\emptyset	ft, in	Diámetro de una pieza redonda
	m, s, kg, A, mm, V, W, Hz, N, °C, dB, min, m/s^2	Unidades básicas y unidades derivadas del sistema internacional de unidades SI .

Descripción técnica y especificaciones.

ADVERTENCIA Saque la clavija del enchufe antes de montar o cambiar los útiles y accesorios. Esta medida de seguridad preventiva evita los accidentes que pudieran presentarse en caso de una puesta en marcha involuntaria.

El material de serie suministrado con su herramienta eléctrica puede que no corresponda en su totalidad al material descrito o mostrado en estas instrucciones de servicio.





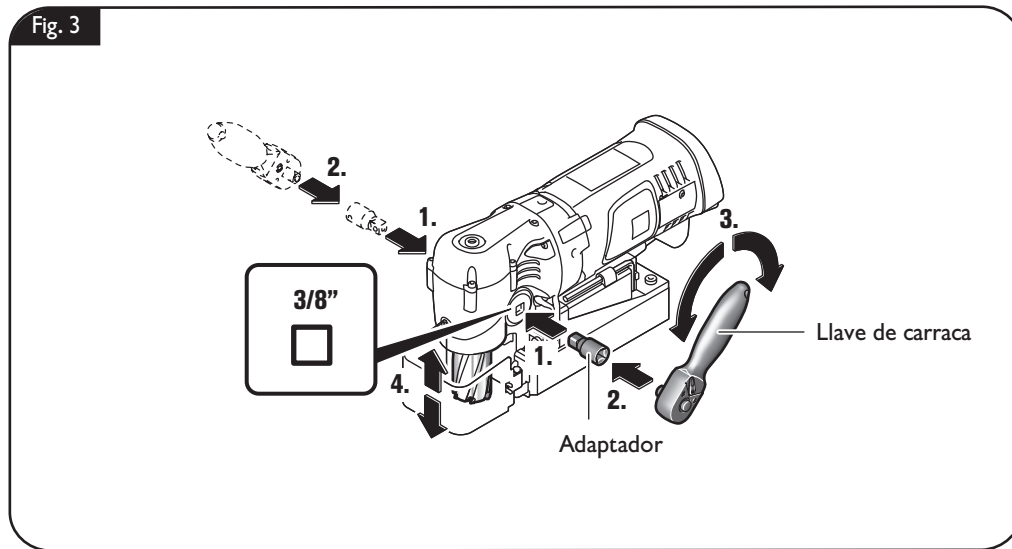
Tipo	JMC USA 90 (**)
N° de referencia	7 272 ...
Corriente absorbida	9.2 A
Revoluciones en vacío (giro a derechas)	
1ª velocidad	520 rpm
Revoluciones en vacío (giro a izquierdas)	
1ª velocidad	370 rpm
Diámetro de taladro acero - metal duro / acero de corte rápido de alto rendimiento (corona perforadora)	7/16 in – 1 3/8 in 12 mm – 35 mm
Diámetro de taladro en acero - acero de corte de alto rendimiento (broca helicoidal)	5/8 in 16 mm
Taladro para roscar	1/2 in M12
Diámetro avellanar	1 1/4 in 32 mm
Peso según EPTA-Procedure 01	16.5 lbs (7.5 kg)
Clase de protección	⊕/I
Temperatura ambiente admisible	23°F ... 104°F -5°C ... +40°C

Instrucciones de montaje.

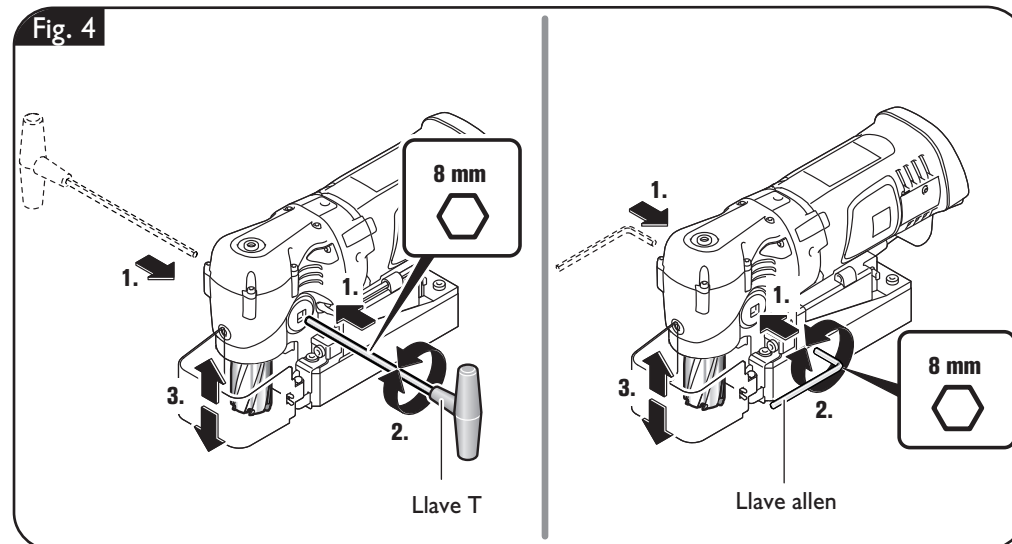
⚠ ADVERTENCIA Saque la clavija del enchufe antes de montar o cambiar los útiles y accesorios. Esta medida de seguridad preventiva evita los accidentes que pudieran presentarse en caso de una puesta en marcha involuntaria.

Montaje del adaptador y de la llave de carraca (Figura 3).

Monte a la derecha o izquierda el adaptador y la llave de carraca de ajuste del husillo de taladrar.



El husillo de taladrar puede ajustarse también desde ambos lados con una llave T o una llave allen (Figura 4).



Llenado del depósito de refrigerante (Figura 5).

⚠ ADVERTENCIA Evite que el líquido que escurre por la línea llegue a penetrar en el enchufe o en la unidad de taladrado, ya que podría exponerse a una descarga eléctrica. Haga un bucle en la línea, antes del enchufe, para permitir que el líquido gotee de la línea.

Desenrosque la tapa de cierre del depósito de refrigerante.

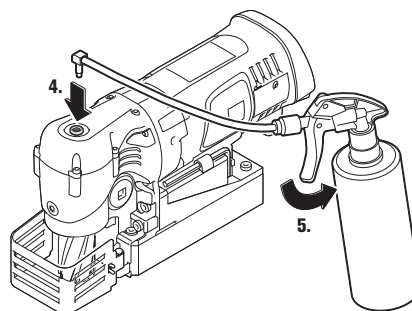
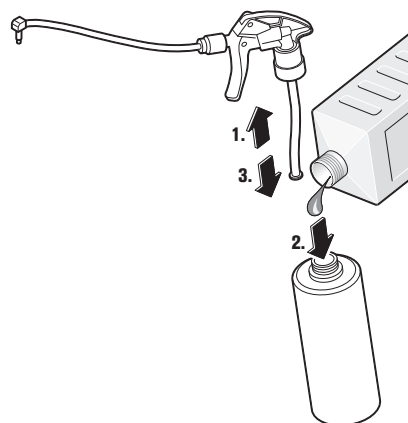
Llene líquido lubricante refrigerante, soluble en agua, apropiado para ser bombeado, p. ej., aceite de corte Slugger.

Vuelva a enroscar la tapa de cierre del depósito de refrigerante.

Acople la manguera a la conexión para refrigerante de la máquina y comience a bombear agente refrigerante.

No utilice la unidad de taladrado si estuviese defectuoso el sistema de aportación de refrigerante. Verifique **antes de cada operación** la hermeticidad y la existencia de posibles fisuras en las mangueras. Evite que penetren líquidos en las piezas eléctricas.

Fig. 5



Cambio de útil (Figura 6).

⚠ ADVERTENCIA Saque la clavija del enchufe antes de montar o cambiar los útiles y accesorios. Esta medida de seguridad preventiva evita los accidentes que pudieran presentarse en caso de una puesta en marcha involuntaria.

Abra la protección contra virutas girándola hacia el lado correspondiente.

Afloje ambos tornillos del portaútiles con una llave allen.

Pase el perno de centrado por la corona perforadora.

Monte la corona perforadora con el perno de centrado en el portaútiles.

Apriete ambos tornillos del portaútiles contra los planos fresados del vástago del útil, empleando para ello la llave allen.

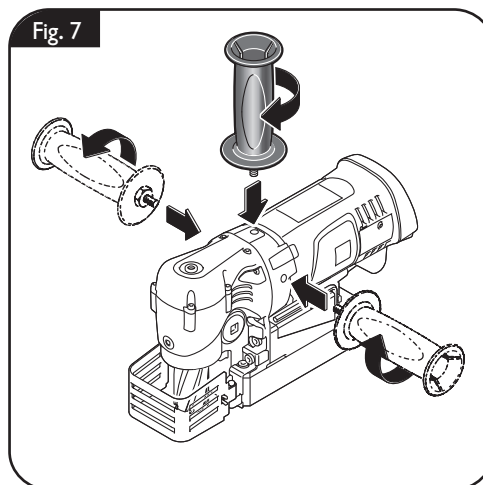
Fig. 6



Instrucciones para la operación.

Sujeción de la agarradera (Figura 7).

La agarradera para transporte de la herramienta eléctrica puede fijarse a los laterales o arriba.



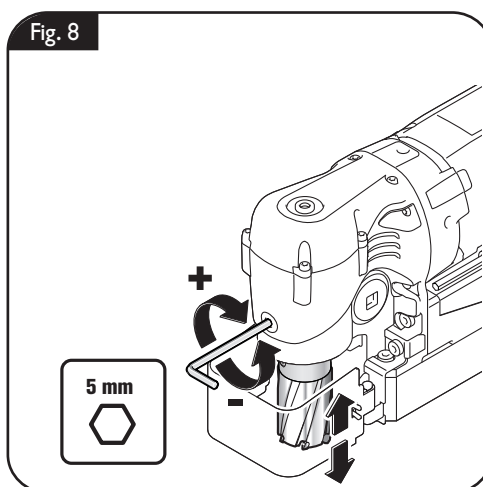
Avance (Figura 8).

Solo aplique la fuerza de avance mínima necesaria para trabajar. Una fuerza de avance excesiva puede provocar la rotura del útil y hacer que se desprenda la base magnética.

Ajuste con la llave allen el juego y la resistencia al avance:

Giro hacia la derecha = menor juego y mayor resistencia al avance

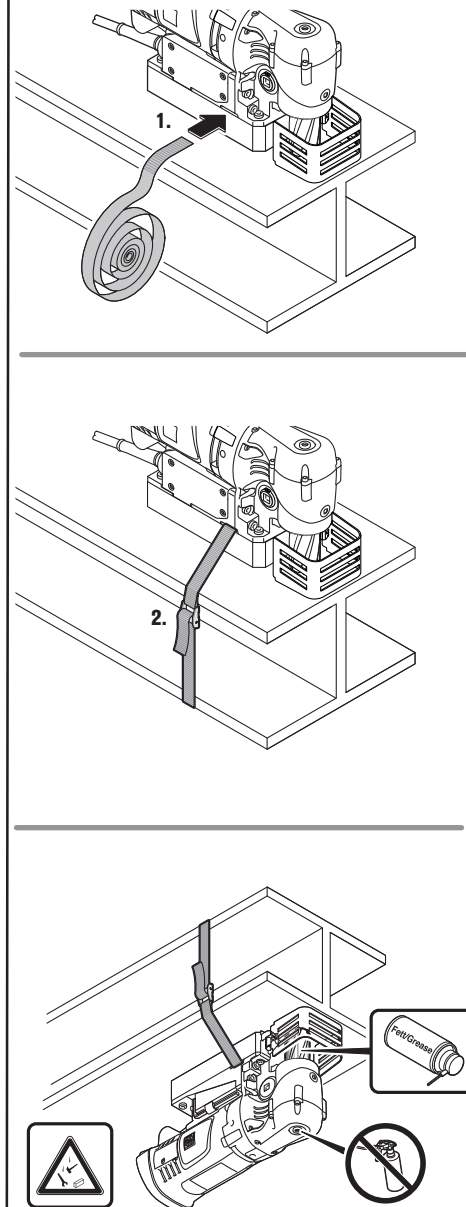
Giro hacia la izquierda = mayor juego y menor resistencia al avance.



Sujeción de la cinta tensora (Figura 9).

⚠ ADVERTENCIA Siempre asegure la herramienta eléctrica con la cinta tensora suministrada. La fuerza de sujeción magnética se anula en caso de un corte de luz o al sacar la clavija de la red. Asegure la máquina sobre la pieza de trabajo con la cinta tensora suministrada.

Fig. 9



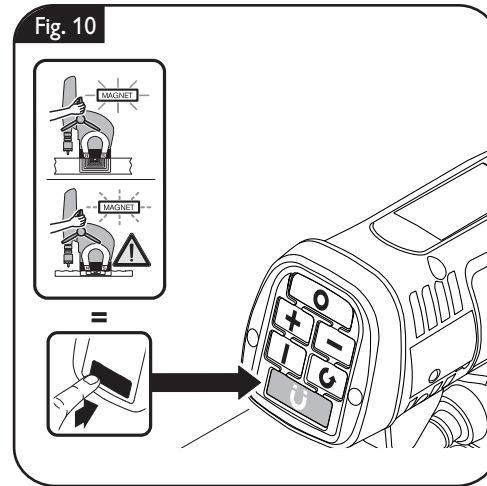
Conexión del imán (Figura 10).

- ❗ Preste atención a que la superficie a la que pretende fijar la base magnética sea plana y esté limpia y exenta de óxido. Desprenda las capas de pintura o emplastecido.
- ❗ Trabaje siempre empleando la base magnética, y observe que ésta quede sujeta con firmeza.

Al procesar materiales que no sean metálicos, deberá elegirse entre los accesorios opcionales del fabricante un dispositivo de sujeción apropiado como, p. ej., la placa de vacío o el dispositivo para taladrar tubos.

También al trabajar piezas de acero, si su grosor es menor de 12 mm, deberá suplementarse la pieza de trabajo con una placa de acero adicional para garantizar una fuerza de sujeción magnética suficiente.

Para la puesta en marcha accione el switch del imán.



Encendido y apagado del motor de taladrar (Figura 11).

Para arrancar el motor de taladrar con giro a derechas, pulse la tecla con el símbolo “|”.

El motor de taladrar comienza a funcionar a la velocidad máxima.

La última velocidad ajustada es memorizada automáticamente (**Memory Function**). Para dejar funcionar la herramienta eléctrica a la velocidad últimamente ajustada, pulse y mantenga pulsada la tecla con el símbolo “-”, y pulse entonces la tecla con el símbolo “|”. Para reducir la velocidad pulse la tecla “-”. Para aumentar la velocidad pulse la tecla “+”.

Para detener el motor de taladrar pulse la tecla “○”.

No detenga el motor de taladrar durante la perforación.

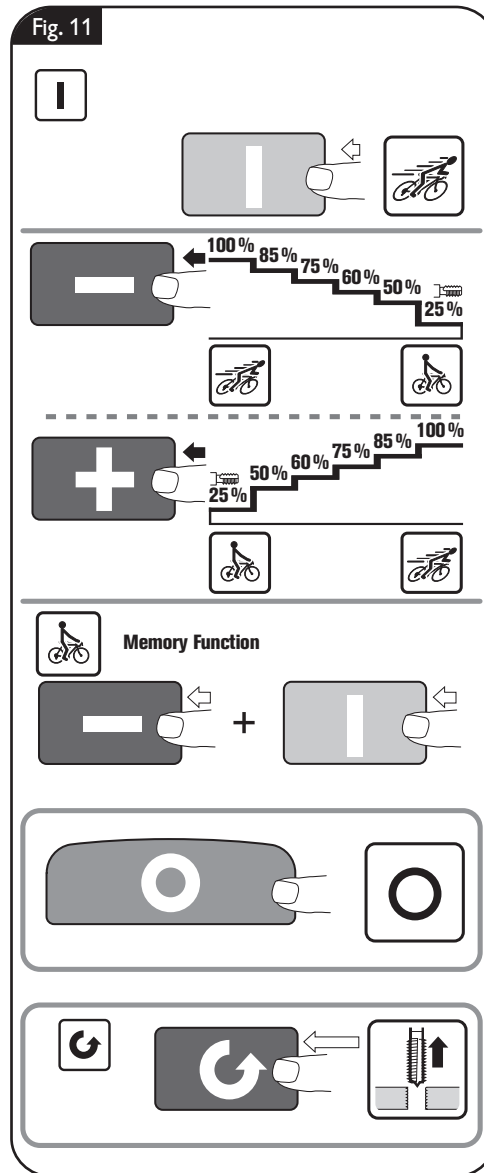
Para arrancar el motor de taladrar con giro a izquierdas, pulse la tecla con el símbolo “↺”.

El motor de taladrar funciona mientras se tenga pulsada la tecla.

Si la alimentación eléctrica se corta estando el motor de taladrar en marcha, un circuito de protección se encarga de evitar que éste se ponga automáticamente en marcha al volver a alimentarlo. Vuelva a conectar el motor de taladrar.

En caso de sobrecargar el motor de taladrar éste se desconecta y tiene que arrancarse de nuevo.

La máquina incorpora un sensor de movimiento. El motor se apaga si el sensor detecta un movimiento excesivo. Para seguir trabajando es necesario arrancar de nuevo el motor de taladrar.



Indicaciones para taladrar con coronas.

Únicamente sacar la corona de la perforación con el motor en marcha.

Si la corona perforadora llega a atascarse en el material, detenga el motor de taladrar, y vaya sacando la corona perforadora girándola con cuidado en sentido contrario a las agujas del reloj.

Al terminar de taladrar retire las virutas y el núcleo resultante de la perforación.

! No toque las virutas directamente con la mano. Siempre realice esto auxiliándose de un gancho.

⚠ ATENCIÓN ¡Peligro de quemadura! La superficie del imán puede alcanzar temperaturas muy elevadas. No toque el imán directamente con las manos. Al taladrar material compuesto de varias capas utilice una corona perforadora Slugger ID apropiada para ello.

Al cambiar la broca no dañe sus filos.

Al taladrar materiales compuestos por capas de diferente material con coronas perforadoras, vaya retirando el núcleo y las virutas a medida que va traspasando cada capa.

Al roscar solo utilice la llave T o la llave allen suministradas para reajustar el husillo de taladrar.

Aviso de falla/ Indicador de imán	Significado	Solución
Indicador verde encendido	La fuerza de sujeción magnética es suficiente.	
Indicador verde parpadea	La fuerza de sujeción magnética puede ser insuficiente.	Al trabajar en materiales de acero de un grosor inferior a 12 mm es necesario reforzarlos con una placa de acero adicional para asegurar que sea suficiente la fuerza magnética de sujeción.
El indicador se enciende de color rojo durante 1 segundo	<ul style="list-style-type: none"> - Se ha activado el detector de movimiento - Se ha activado el detector de sobrecarga - Tensión de red incorrecta 	Una vez corregida la falla puede volver a conectarse la máquina.
El indicador parpadea en rojo 3 veces	No hay señal de tacómetro	Si esta falla ocurre con frecuencia envíe la máquina al servicio técnico Slugger.
El indicador se enciende permanentemente de color rojo	<ul style="list-style-type: none"> - Frecuencia/tensión de red incorrecta - Soporte de taladrar sobrecalentado - Tecla bloqueada al intentar conectarla 	Una vez corregida la falla puede volver a conectarse la máquina. Si esta falla ocurre con frecuencia envíe la máquina al servicio técnico Slugger.
El indicador parpadea permanentemente de color rojo	Máquina con falla.	Envíe la máquina a un servicio técnico Slugger

Reparación y servicio técnico.

ADVERTENCIA Saque la clavija del enchufe antes de montar o cambiar los útiles y accesorios. Esta medida de seguridad preventiva evita los accidentes que pudieran presentarse en caso de una puesta en marcha involuntaria.



Piezas sustituibles.

Si fuese preciso, puede sustituir Ud. mismo las piezas siguientes:

Útiles, empuñaduras, protección contra virutas, cinta tensora

Circuito de refrigeración.

Enjuague el circuito de refrigeración con agua, límpielo, y vacíelo completamente si tiene previsto no utilizar la máquina durante más de dos semanas.

También en caso de un uso frecuente es necesario enjuagar y limpiar con agua el circuito de refrigeración cada 4 semanas, aprox.

Servicio técnico.

ADVERTENCIA Únicamente deje realizar los trabajos de mantenimiento por un profesional. Las líneas y componentes mal montados pueden suponer un grave peligro. Deje efectuar el servicio requerido por un servicio técnico Slugger.

ATENCIÓN En caso de que se dañe la línea de la herramienta eléctrica es necesario sustituirla por una línea de refacción original adquirible a través de uno de los servicios técnicos Slugger.

La lista de piezas de refacción actual para esta herramienta eléctrica la encuentra en internet bajo www.fein.com.

Limpieza.

ADVERTENCIA Con el fin de evitar accidentes, saque de la alimentación la clavija de la herramienta eléctrica antes de realizar en la misma cualquier tipo de trabajo de limpieza o de mantenimiento.

ADVERTENCIA Si el aire ambiente contiene material en polvo conductor, p. ej., al trabajar metales, puede que este material llegue a depositarse en el interior de la herramienta eléctrica. Ello puede mermar la eficacia del aislamiento de protección de la herramienta eléctrica. Por ello, sople con regularidad desde afuera por las rejillas de refrigeración el interior de la herramienta eléctrica con aire comprimido seco y exento de aceite, utilizando en ello siempre una protección para los ojos. Intercale un interruptor diferencial (RCD) como medida de protección adicional.

OBSERVACIÓN: Este componente se denomina también (PRCD), (GFCI), (ALCI) o (ELCB).

ATENCIÓN No intente limpiar las rejillas de refrigeración de la herramienta eléctrica con objetos metálicos en punta, emplee para ello objetos que no sean de metal.

ATENCIÓN No aplique agentes de limpieza ni disolventes que pudieran atacar a las piezas de plástico. Algunos de estos agentes son: gasolina, tetracloruro de carbono, disolventes clorados, amoníaco y detergentes domésticos que contengan amoníaco.

Garantía.

La garantía del producto se realiza de acuerdo a las regulaciones legales vigentes en el país de adquisición.

Protección del medio ambiente, eliminación.

Los embalajes, así como las herramientas eléctricas y accesorios inservibles, deberán entregarse a los puntos de recogida correspondientes para que puedan ser sometidos a un reciclaje ecológico. Informaciones adicionales al respecto las obtiene en su comercio especializado habitual.

Accesorios incluidos en el suministro (Figura 12).

