



[Click Here To View](#)  
[Item at](#)

[www.GapPower.com](http://www.GapPower.com)

*Sales • Rentals  
Parts & Service*



4101 GARLAND DR, FORT WORTH, TX 76117  
Phone 817-485-6073 Fax 817-428-6008  
[www.starindustries.com](http://www.starindustries.com)

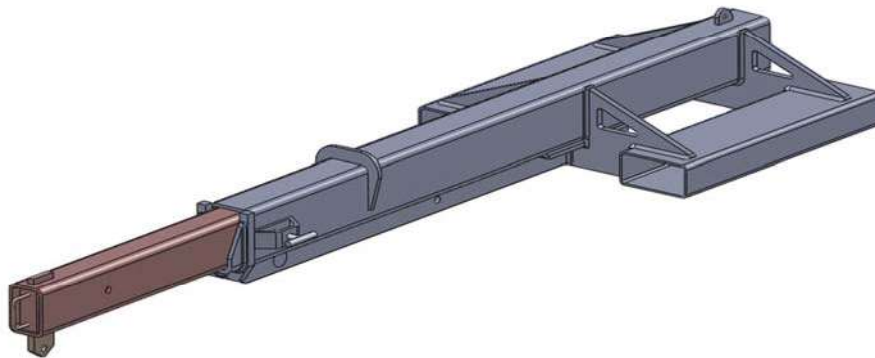
Bulletin  
OM-HDJB0911

# *Heavy Duty Jib*

**Model 1360B**

## Operator's Manual

### **Installation, Use & Safety Precautions**



**BEFORE USE, READ AND UNDERSTAND THE COMPLETE OPERATOR'S MANUAL.**

If you need clarification or any additional information call your Star dealer or call Star Industries @ 1-800-541-1797 during normal business hours.

#### **HD Jib:**

Star model 1360B Heavy Duty Jib is designed for use on industrial lift trucks and rough terrain straight-mast or extendable-reach forklifts. It has been engineered and is rated for the load capacities as shown on the load decal on the jib and in the load charts on our brochure. Star Industries has been manufacturing similar jibs for approximately 25 years and during this period, the Star HD Jibs have earned an excellent safety record. They have proven themselves repeatedly on all types of jobs all over the United States as well as in Canada, Mexico and South America.

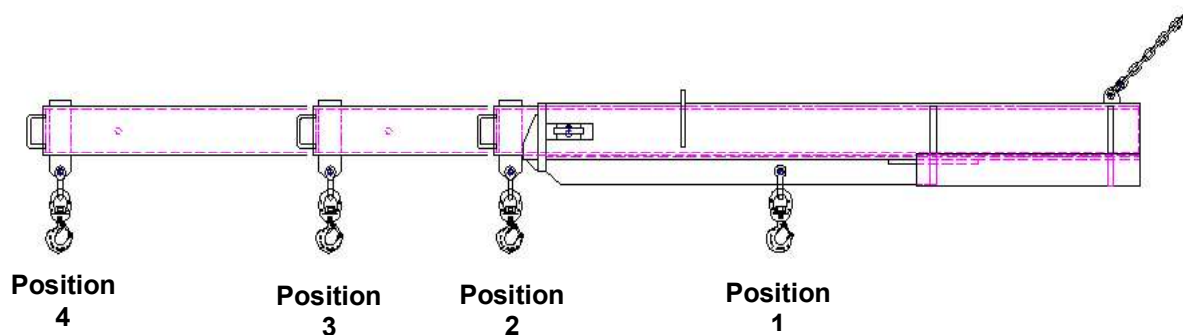
#### **Installation:**

The HD Jib is installed on the forklift by inserting both forks fully into the fork pockets so that the rear of the Jib is against the back of the fork. If equipped with "Fork Pin Tabs", insert locking pins behind the heel of each fork and secure with hair pins. If equipped with a "safety chain", wrap chain around a strong part of the forklift carriage keeping chain as level as possible. Chain angle must not exceed 45°. Take as many wraps as needed to take up the slack, then hook the chain back onto itself making sure the open part of the grab hook is pointing down.

## Swivel Hooks

The HD Jib is furnished with one swivel hook which can be positioned in various locations on the underside of the boom for picking loads. The hook is rated at 6000 lbs. lift capacity. More than one hook can be used to pick up the load but the total load weight must not exceed the rated capacity of the jib as shown on the load chart for the most extended hook location. For example if two hooks were used, one at position 4 and the other at position 1, the maximum load allowed would be 2,000 lbs.

<b>MODEL 1360B</b>	
<b>Max Load Cap.</b>	<b>6,000 lbs.</b>
<b>Empty Weight</b>	<b>585 lbs.</b>
<b>Extends</b>	<b>7' 0" to 12' 0"</b>
<b>Vert. Center of Gravity</b>	<b>Centerline</b>
<b>Horz. Center of Gravity</b>	
<b>Fully Retracted :</b>	<b>36.31"</b>
<b>Extended Midway:</b>	<b>43.75"</b>
<b>Fully Extended :</b>	<b>54.44"</b>



## Jib Load Capacities

Maximum load capacity in the various extended or retracted positions is shown in the table below as well as on a load chart located on the side of the boom. **It is very important however, to understand that these load capacity ratings are for the jib itself and do not reflect the capacity of the forklift nor the maximum load that can be safely handled with a particular forklift.**

<b>Maximum Load Capacity on a Single Hook - Lbs.</b>				
<b>HOOK POSITION</b>	<b>1</b>	<b>2</b>	<b>3</b>	<b>4</b>
<b>DISTANCE</b>	<b>4'-0"</b>	<b>7'-0"</b>	<b>9'-0"</b>	<b>12'-0"</b>
<b>MODEL1360B</b>	<b>6,000 lbs.</b>	<b>4,000 lbs.</b>	<b>3,000 lbs.</b>	<b>2,000 lbs.</b>
<b>CAUTION: LOAD CAPACITIES SHOWN ARE FOR THE JIB ONLY AND DO NOT REFLECT THE LIFT CAPACITY OF THE FORKLIFT</b>				

## Forklift Load Capacities

Care must be taken not to exceed the capacity of the forklift. When handling a load with the jib, the load center is moved out away from the standard forklift load center (typically 24") which significantly reduces the lift capacity of the forklift. In addition the weight of the jib has been added which also further reduces forklift capacity.

There are two ways to determine the reduced lift capacities when using the jib. Most preferable and most accurate is to contact the forklift manufacturer or certified professional engineer for a de-rated load capacity chart. If this is not available, simple foot pound calculations can be made to estimate the reduced load capacities. For example, a forklift that is rated in the desired lift position at 8000 lbs (at a 2 ft load center) has a lift capacity of 16000 foot lbs. (2 ft X 8000 lbs.) To calculate the forklift de-rated capacity when using our model 1360B jib at its maximum extension of 12'0", simply deduct the 2656 foot lbs for the weight of the jib (cg of 4.54 ft x 585 lbs weight of jib = 2656 ft lbs) from the 16000 ft lbs and then divide the remainder by the new 12 foot load center, which gives us 1112 lbs de-rated lift capacity for an 8,000 lb Forklift with the HD Jib fully extended. The chart below shows these reduced capacity calculations for several forklift capacities.

Model	Empty Weight	These calculations provide an estimate of the reduced forklift capacity when using the jib. The maximum load capacity for each hook position is shown under the respective <u>forklift rated capacity for that fork position.</u>
1360B	585	
<b>Single Hook Capacities for Model 1360B HD Jib</b>		

Hook Pos.	Distance	Horz. CG	<ol style="list-style-type: none"> <li>Determine Forklift Capacity (@ 24" load center) from your forklift's load chart <u>for applicable fork &amp; mast position.</u></li> <li><b>Bold figures at top of columns represent your forklift's capacity at the relevant fork &amp; mast position.</b></li> <li>Read de-rated capacity when using HD Jib in respective column</li> </ol>							
			<i>Inches</i>	<b>2,000</b>	<b>3,000</b>	<b>4,000</b>	<b>5,000</b>	<b>6,000</b>	<b>8,000</b>	<b>10,000</b>
1	4' 0"	36.31	557	1057	1557	2057	2557	3557	4557	5557
2	7' 0"	36.31	319	604	890	1176	1461	2033	2604	3176
3	9' 0"	43.75	207	430	652	874	1096	1541	1985	2430
4	12' 0"	54.44	112	279	446	612	779	1112	1446	1779

**Please Note as Final Reminder - Whenever an attachment is added to a lift truck,** the weight of the attachment, the new center of gravity of the attachment, and the new center of gravity of the load, will reduce the lift capacity of the forklift. The charts above will allow you to estimate the reduced capacity of your forklift. However, any official "New Down-Rated Capacity" for the lift truck must be obtained from the lift truck manufacturer. Also please note that the capacities shown on the load chart on the jib reflect only the capacities of the jib itself and in no way reflect the actual capacity of the forklift/attachment combination.

## General Precautions

1. Forklift operator must be properly trained and have required certifications.
2. Before using the Jib check to see that it is properly secured to the forklift as described above and that the shackles and hooks are properly secured to the Jib and screw pins are tight.
3. Determine that the loads to be handled are within the capabilities of the forklift. Keep in mind that rated capacities will likely decrease when the boom is in a raised position, or when the mast is tilted forward, or in the case of telehandlers, when the boom is extended.
4. Forks should be level or tipped upward (never down below level) when using the jib.
5. Do not pull loads. Booms designed for vertical lift only.
6. The load should always be carried low and kept from swinging using tag lines as necessary. When a load is raised; extreme caution should be exercised as the forklift is far more vulnerable to tipping with a raised load.
7. Any time the load is raised make sure the forklift is on level, firm footing.
8. Check Jib boom extension lock pin to make sure it is functioning properly. Make sure spring has proper tension to keep pin engaged.
9. Refer to the forklift operator's manual for more information on handling elevated loads as well as information for safe and proper forklift operation.
10. Each time before use check all shackles and hooks, make sure cotter pins are installed properly. And shackle screw pins are tight
11. Always comply with all local, state, and federal Safety regulations.
12. **DO NOT USE JIB IN ANY WAY TO CARRY OR ELEVATE PERSONNEL!**

## Replacement Parts

<i>Part Number</i>	<i>Description</i>
1360B-05	Decal Set For Model 1360B HD Jib
1340-06	Spring Action Pin Set for HD Jib
1000-0221	Shackle, 3/8" Self colored Round Pin w/cotter Key
1000-0240	High Test Grab Hook for 5/16" Safety Chain
1000-0200	36" X 5/16" High Test Safety Chain
1000-0226	5/8" Screw Pin Anchor Shackle
1000-0250	3 Ton Swivel Hook w/latch
1000-0251	Replacement Latch for Crosby 3 ton hook
1000-0108	10-1/4"X1" Locking Pin w/Chain

## < < < Star Industries Limited Warranty > > >

Star Products are warranted to the original purchaser against defective workmanship and/or materials (when properly installed, used, and maintained) for a period as specified below from date of delivery to the customer by an authorized Star Dealer or direct from Star Industries. This warranty does not cover misuse, abuse, normal wear and tear, or accidental damage.

**5 year Warranty:** All Star products except as noted below. (Includes HD Auger Drives and most non-hydraulic products)

2 year Warranty: Medium Duty Auger Drives

1 year Warranty: Auger Bits and Auger Accessories (excludes auger drives), Crane Forks. Grapples, 4 In 1 Buckets, Angle Broom, Mad Beaver Brush Cutters, Big Mouth Tree Shears, Self Dumping Hoppers, Replacement Forks, and Over the Bucket Forks

6 months Warranty: Concrete Mixers

WARRANTY CLAIM NOTIFICATION: Product defects should be reported to the Star dealer from whom the product was purchased or to Star Industries in writing promptly after discovery. Preferably photographs showing the defect should also be provided along with a written report of circumstances involved. Warranty claims not made within 30 days after discovery of the defect shall be null and void.

WARRANTY DETERMINATION: If a warranty claim is found worthy and made within the warranty period we reserve the right at our discretion to repair existing defects or to replace it with the same or current model free of charge or to issue a credit for the reasonable cost of repair or take possession of the equipment and issue reimbursement for the calculated value.

WARRANTY PROCEDURE: Upon notification, Star Industries will determine if the product will need to be returned to Star Industries for inspection or repair or if the Star dealer or other entity can be authorized to make the repair at his location or if circumstances dictate other solutions. Dealer or other entity repairs must have prior written authorization. Reimbursement will be at the current “Star Warranty Labor Rate” and will not include reimbursement for offsite travel. A Warranty Claim Form must be submitted within 45 days of warranty repair authorization to receive credit for repair.

A return authorization number must be obtained from Star Industries before a product can be returned for inspection and/or warranty and that number must appear on the return shipping label. Upon inspection, Star Industries will determine if the product is defective and if so, whether it will be repaired or replaced. Repair or replacement is at the discretion of Star Industries. Transportation charges to Star Industries are not covered under the warranty and must be prepaid by dealer or customer unless it is within the first two years of warranty. In which case, if evidence acceptable to Star Industries, is provided that the product is defective and the return is from within the continental United States or Canada, Star will arrange for return shipment at Star Industries expense. Products found to be defective within the initial two year period and returned to Star Industries for repair or replacement will be returned to the dealer or customer freight prepaid providing it is within the continental United States or Canada. Warranted products to be shipped outside the United States or Canada and those warranted after the initial 2 years will be shipped freight collect. Unwarrantable products will be returned freight collect at the request of the dealer or customer, otherwise they will be destroyed.

LIMITATION OF DAMAGES: Star's obligation under this warranty shall not include costs of installation, duty, taxes or any other charges whatsoever or any liability for direct, indirect, incidental or consequential damages or delay. Star's liability for any and all losses and damage to purchaser resulting from any cause whatsoever, including negligence or breach of form of warranty, express or implied, by Star, alleged damage for defective goods, irrespective of whether such defects are discoverable or latent, shall in no event exceed the purchase price of the particular goods. Products repaired or replaced under this warranty are warranted only for the remainder of the original warranty. Any improper use including operation after discovery of defective or worn parts not approved by Star or any alteration or repair by others in such manner as in Star's judgment affects the product materially and adversely shall void this warranty.

THE FOREGOING WARRANTIES ARE EXCLUSIVE AND ARE IN LIEU OF ALL OTHER WARRANTIES (WHETHER WRITTEN, ORAL OR IMPLIED) INCLUDING WARRANTIES OF MERCHANTABILITY AND WARRANTY OF FITNESS FOR A PARTICULAR PURPOSE.