



Click Here To View  
Item at

[www.GapPower.com](http://www.GapPower.com)

*Sales • Rentals  
Parts & Service*



# Illustrated Parts Manual

**Models**

**400S**

**460SJ**

**S/N 0300096000**

**to Present**

**P/N**

**3121236**

*May 13, 2013*

**ANSI**

**CE**



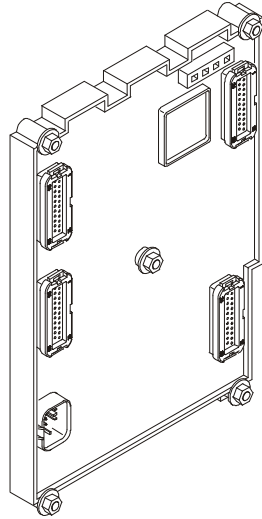
An Oshkosh Corporation Company



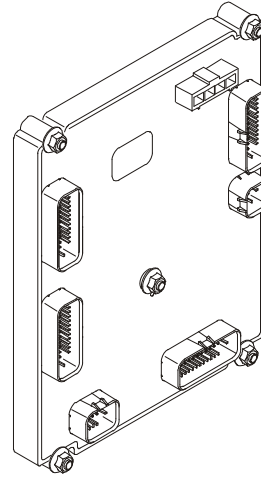
# REVISION LOG

## GROUND MODULE MODULE IDENTIFICATION

**MODULE ON MACHINES  
"WITHOUT UGM"  
(UNIVERSAL  
GROUND MODULE)**



**MODULE ON MACHINES  
"WITH UGM"  
(UNIVERSAL  
GROUND MODULE)**



April 30, 2006 - Original Issue Of Manual (Edited to B/M 0010579 Revision 67)

September 12, 2006 - Revised (Edited to B/M 0010579 Revision 69)

January 4, 2007 - Revised (Edited to B/M 0010579 Revision 70)

April 15, 2007 - Revised (Edited to B/M 0010579 Revision 75)

August 31, 2007 - Revised (Edited to B/M 0010579 Revision 80)

January 11, 2008 - Revised (Edited to B/M 0010579 Revision 83)

July 15, 2008 - Revised (Edited to B/M 0010579 Revision 83)

March 1, 2009 - Revised (Edited to B/M 0010579 Revision 91)

January 8, 2010 - Revised (Edited to B/M 0010579 Revision 107)

July 26, 2010 - Revised (Edited to B/M 0010579 Revision 111)

January 27, 2011 - Revised (Edited to B/M 0010579 Revision 112)

May 16, 2011 - Revised (Edited to B/M 0010579 Revision 117)

August 12, 2011 - Revised (Edited to B/M 0010579 Revision 123)

December 8, 2011 - Revised (Edited to B/M 0010579 Revision 125)

March 30, 2012 - Revised (Edited to B/M 0010579 Revision 125)

July 19, 2012 - Revised (Edited to B/M 0010579 Revision F)

October 19, 2012 - Revised (Edited to B/M 0010579 Revision F)

February 28, 2013 - Revised (Edited to B/M 0010579 Revision F)

May 13, 2013 - Revised (Edited to B/M 0010579 Revision F)

# REVISION LOG

# TABLE OF CONTENTS

FIGURE NO.	TITLE	PAGE NO.
<b>SECTION 1 - FRAME .....1-1</b>		
1-1	AXLE AND STEERING INSTALLATION - 2WD WITHOUT TOW PACKAGE .....	1-2
1-2	AXLE AND STEERING INSTALLATION - 2WD WITH TOW PACKAGE .....	1-8
1-3	AXLE & STEERING INSTALLATION - 4WD (S/N 0300096000 TO S/N 0300161285) .....	1-14
1-4	AXLE & STEERING INSTALLATION - 4WD (S/N 0300161285 TO PRESENT) .....	1-20
1-5	TIRE AND WHEEL DRIVE INSTALLATIONS .....	1-24
1-6	DRIVE HUB AND HUB WITH BRAKE ASSEMBLIES .....	1-28
1-7	DRIVE MOTOR ASSEMBLY (S/N 0300096000 TO S/N 0300098502 - 4 BOLT) .....	1-32
1-8	DRIVE MOTOR ASSEMBLY (S/N 0300098502 TO PRESENT - 5 BOLT) .....	1-36
1-9	FRAME VALVES AND SHIELDS INSTALLATION (S/N 0300096000 TO S/N 0300115396) .....	1-40
1-10	FRAME VALVES AND SHIELDS INSTALLATION (S/N 0300115396 TO PRESENT) .....	1-44
1-11	SEMI-TRACK INSTALLATION .....	1-48
1-12	TOW PACKAGE INSTALLATION .....	1-52
<b>SECTION 2 - TURNTABLE .....2-1</b>		
2-1	VALVES INSTALLATIONS .....	2-2
2-2	MAIN CONTROL VALVE ASSEMBLY .....	2-4
2-3	ACCESSORY VALVE ASSEMBLY .....	2-8
2-4	TURNTABLE AND SWING DRIVE INSTALLATIONS .....	2-10
2-5	SWING HUB ASSEMBLY (S/N 0300096000 TO S/N 0300137201) .....	2-14
2-6	SWING MOTOR ASSEMBLY (S/N 0300096000 TO S/N 0300137201) .....	2-16
2-7	SWING MOTOR/BRAKE/HUB ASSEMBLY (S/N 0300137201 TO PRESENT) .....	2-18
2-8	CATERPILLAR ENGINE INSTALLATION - WITH ELECTRICAL DRIVEN COOLING FAN (WITHOUT UGM) .....	2-22
2-9	CATERPILLAR ENGINE INSTALLATION - WITH MECHANICAL DRIVEN COOLING FAN (WITHOUT UGM) .....	2-30
2-10	CATERPILLAR ENGINE INSTALLATION (WITH UGM) .....	2-38
2-11	2500W GENERATOR INSTALLATION - CATERPILLAR MACHINES (OPTIONAL) ..	2-46
2-12	DEUTZ ENGINE INSTALLATION .....	2-50
2-13	2500W GENERATOR INSTALLATION - DEUTZ MACHINES (OPTIONAL) .....	2-60
2-14	GM ENGINE INSTALLATION (WITHOUT UGM) .....	2-64
2-15	GM ENGINE INSTALLATION (WITH UGM) .....	2-70
2-16	2500W GENERATOR INSTALLATION - GM MACHINES (OPTIONAL) .....	2-76
2-17	PERKINS ENGINE INSTALLATION - WITH ELECTRICAL DRIVEN COOLING FAN (WITHOUT UGM) .....	2-80
2-18	PERKINS ENGINE INSTALLATION - WITH MECHANICAL DRIVEN COOLING FAN (WITHOUT UGM) .....	2-90
2-19	PERKINS ENGINE INSTALLATION (WITH UGM) .....	2-100
2-20	2500W GENERATOR INSTALLATION - PERKINS MACHINES (OPTIONAL) .....	2-108
2-21	PISTON PUMP ASSEMBLY .....	2-112
2-22	AUXILIARY PUMP ASSEMBLY .....	2-116
2-23	DUAL FUEL INSTALLATIONS (GM MACHINES ONLY) .....	2-120
2-24	TANK INSTALLATIONS .....	2-124
2-25	ROTARY COUPLING INSTALLATION (S/N 0300096000 TO S/N 0300140365) .....	2-128
2-26	ROTARY COUPLING INSTALLATION (S/N 0300140365 TO PRESENT) .....	2-130
2-27	GROUND CONTROL BOX ASSEMBLY (WITHOUT UGM) .....	2-132
2-28	GROUND CONTROL BOX ASSEMBLY (WITH UGM) .....	2-136
2-29	ELECTRICAL OPTIONS INSTALLATION (TURNTABLE MOUNTED) .....	2-140

# TABLE OF CONTENTS

FIGURE NO.	TITLE	PAGE NO.
2-30	HOODS INSTALLATION (S/N 0300096000 TO S/N 0300126457).....	2-144
2-31	HOODS INSTALLATION (S/N 0300126457 TO PRESENT).....	2-148
<b>SECTION 3 - BOOM.....</b>		<b>3-1</b>
3-1	BOOM INSTALLATIONS.....	3-2
3-2	BOOM ASSEMBLY - 400S.....	3-6
3-3	BOOM ASSEMBLY - 460SJ.....	3-10
3-4	ROTATOR ASSEMBLIES.....	3-14
<b>SECTION 4 - PLATFORM.....</b>		<b>4-1</b>
4-1	PLATFORM INSTALLATION.....	4-2
4-2	PLATFORM COMPONENTS INSTALLATION (FALL ARREST PLATFORM).....	4-6
4-3	SOFT TOUCH INSTALLATION (OPTIONAL).....	4-8
4-4	PLATFORM CONSOLE ASSEMBLY.....	4-10
4-5	CONTROLLER ASSEMBLY (SWING AND LIFT).....	4-16
4-6	CONTROLLER ASSEMBLY (DRIVE AND STEER).....	4-20
<b>SECTION 5 - CYLINDER.....</b>		<b>5-1</b>
5-1	AXLE LOCKOUT CYLINDER ASSEMBLY (S/N 0300096000 TO S/N 0300115396).....	5-2
5-2	AXLE LOCKOUT CYLINDER ASSEMBLY (S/N 0300115396 TO PRESENT).....	5-4
5-3	LEVEL (PLATFORM SLAVE) CYLINDER ASSEMBLY.....	5-6
5-4	LEVEL (PLATFORM SLAVE) CYLINDER ASSEMBLY.....	5-8
5-5	LIFT CYLINDER ASSEMBLY - JIB (460SJ).....	5-10
5-6	LIFT CYLINDER ASSEMBLY - MAIN.....	5-12
5-7	MASTER CYLINDER ASSEMBLY (ORIGINAL EQUIPMENT FOR S/N 0300096000 TO S/N 0300165145).....	5-14
5-8	MASTER CYLINDER ASSEMBLY (SERVICE REPLACEMENT FOR S/N 0300096000 TO S/N 0300165145 & ORIGINAL EQUIPMENT FOR S/N 0300165145 TO PRESENT).....	5-16
5-9	STEER CYLINDER ASSEMBLY (S/N 0300096000 TO S/N 0300161285).....	5-18
5-10	STEER CYLINDER ASSEMBLY (S/N 0300161285 TO PRESENT).....	5-20
5-11	TELESCOPE CYLINDER ASSEMBLY.....	5-22
<b>SECTION 6 - HYDRAULIC.....</b>		<b>6-1</b>
6-1	AXLE LOCKOUT HYDRAULIC DIAGRAM (S/N 0300096000 to S/N 0300115396).....	6-2
6-2	AXLE LOCKOUT HYDRAULIC DIAGRAM (ANSI SPEC - S/N 0300115396 TO S/N 0300140365).....	6-4
6-3	AXLE LOCKOUT HYDRAULIC DIAGRAM (CE SPEC - S/N 0300115396 TO S/N 0300140365).....	6-6
6-4	AXLE LOCKOUT HYDRAULIC DIAGRAM (ANSI & CE SPEC - S/N 0300140365 TO PRESENT).....	6-8
6-5	DRIVE HYDRAULIC DIAGRAM - 2WD (S/N 0300096000 TO S/N 0300115396).....	6-10
6-6	DRIVE HYDRAULIC DIAGRAM - 2WD (S/N 0300115396 TO S/N 0300140365).....	6-12
6-7	DRIVE HYDRAULIC DIAGRAM - 2WD (S/N 0300140365 TO PRESENT).....	6-14
6-8	DRIVE HYDRAULIC DIAGRAM - 4WD (S/N 0300096000 TO S/N 0300115396).....	6-16
6-9	DRIVE HYDRAULIC DIAGRAM - 4WD (S/N 0300115396 TO S/N 0300140365).....	6-20
6-10	DRIVE HYDRAULIC DIAGRAM - 4WD (S/N 0300140365 TO PRESENT).....	6-24
6-11	STANDARD HYDRAULIC DIAGRAM (S/N 0300096000 TO S/N 0300115396).....	6-26
6-12	STANDARD HYDRAULIC DIAGRAM (S/N 0300115396 TO S/N 0300140365).....	6-30
6-13	STANDARD HYDRAULIC DIAGRAM (S/N 0300140365 TO PRESENT).....	6-34

# TABLE OF CONTENTS

FIGURE NO.	TITLE	PAGE NO.
6-14	HYDRAULIC DIAGRAM LIST .....	6-38
<b>SECTION 7 - ELECTRICAL</b> .....		<b>7-1</b>
7-1	ELECTRICAL DIAGRAM LIST .....	7-2
7-2	ELECTRICAL SCHEMATIC - CATERPILLAR ENGINE MACHINES WITHOUT UGM (S/N 0300096000 TO S/N 0300099084) .....	7-4
7-3	ELECTRICAL SCHEMATIC - DEUTZ & GM ENGINES WITHOUT UGM (S/N 0300096000 TO S/N 0300099084) .....	7-10
7-4	ELECTRICAL SCHEMATIC - CATERPILLAR, DEUTZ & GM ENGINE WITHOUT UGM (S/N 0300099084 TO PRESENT) .....	7-16
7-5	ELECTRICAL SCHEMATIC - CATERPILLAR, DEUTZ & GM ENGINE WITH UGM	7-22
7-6	HARNESS COMPONENTS INSTALLATION (MACHINES WITHOUT UGM) .....	7-30
7-7	HARNESS COMPONENTS INSTALLATION (MACHINES WITH UGM) .....	7-48
<b>SECTION 8 - DECALS</b> .....		<b>8-1</b>
8-1	DECAL INSTALLATION (ANSI SPEC) .....	8-2
8-2	DECAL INSTALLATION (ANSI EXPORT SPECS) .....	8-6
8-3	DECAL INSTALLATION (AUSTRALIAN & CE SPECS) .....	8-14
<b>SECTION 9 - RECOMMENDED SERVICE PARTS STOCK</b> .....		<b>9-1</b>
<b>SECTION 10 - SPECIAL OPTIONS</b> .....		<b>10-1</b>
10-1	SPECIAL OPTIONS LIST .....	10-2
<b>SECTION 11 - PARTS NUMBER INDEX</b> .....		<b>11-1</b>



# TABLE OF CONTENTS

FIGURE NO.

TITLE

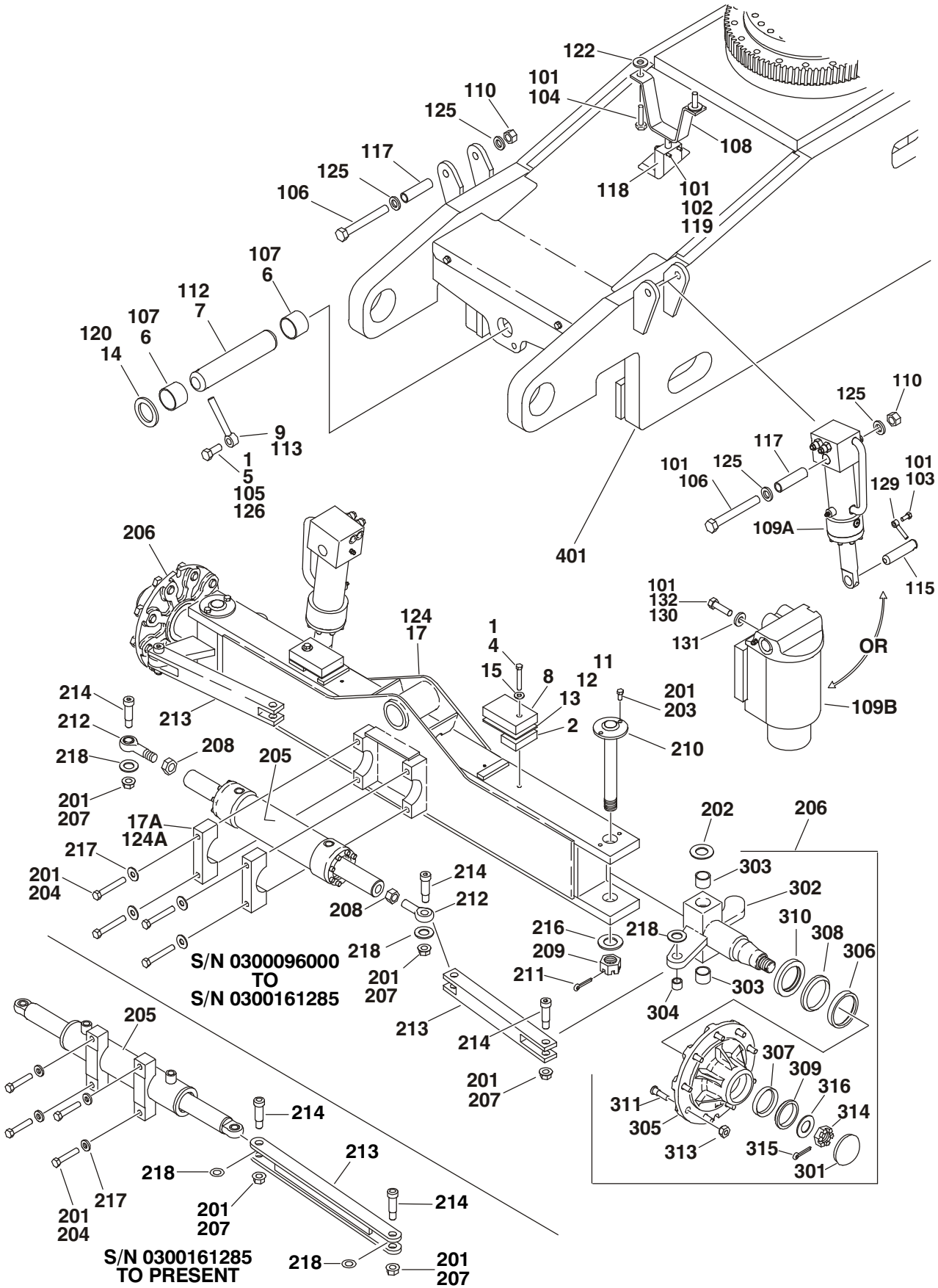
PAGE NO.

# **SECTION 1**

## **FRAME**

# SECTION 1 FRAME

FIGURE 1-1. AXLE AND STEERING INSTALLATION - 2WD WITHOUT TOW PACKAGE



## SECTION 1 FRAME

**FIGURE 1-1. AXLE AND STEERING INSTALLATION - 2WD WITHOUT TOW PACKAGE**

ITEM #	PART NUMBER	QTY.	DESCRIPTION	REV.
		Ref.	<b>FIXED AXLE INSTALLATION</b>	
	0272902	Ref.	<b>S/N 0300096000 to S/N 0300115396</b>	B
	1001093844	Ref.	<b>S/N 0300115396 to S/N 0300161285</b>	C
	1001139700	Ref.	<b>S/N 0300161285 to Present</b>	A
1	0100011	A/R	Locking, Compound	
2		2	Block, Stop Plate Options: S/N 0300096000 to S/N 0300115396 S/N 0300115396 to Present	
	0362932			
	1001093846			
3	Not Used			
4		2	Bolt 3/8in-16NC Options: S/N 0300096000 to S/N 0300115396 S/N 0300115396 to Present	
	0641626			
	0641616			
5	0642012	1	Bolt 5/8in-11NC x 1-1/2in	
6	0961950	2	Bushing, Garmax	
7	3422592	1	Pin, Axle Pivot	
8		2	Plate, Stop Options: S/N 0300096000 to S/N 0300115396 S/N 0300115396 to Present	
	0362954			
	1001093851			
9	3841258	1	Keeper, Pin	
10	Not Used			
11	4071002	4	Shim, 20-Gauge (S/N 0300096000 to S/N 0300115396 Only)	
12	4070973	2	Shim 1/8in (S/N 0300096000 to S/N 0300115396 Only)	
13	4071121	2	Shim.063in (S/N 0300161285 to Present Only)	
14	4740158	1	Thrustwasher	
15	4751600	2	Flatwasher 3/8in Regular	
16	Not Used			
17		1	Axle Weldment Options: S/N 0300096000 to S/N 0300115396 S/N 0300115396 to S/N 0300161285 S/N 0300161285 to Present	
	4846551			
	1001093381			
	1001139704			
17A		2	Steer Cylinder Mounting Block Assembly Options: S/N 0300096000 to S/N 0300131323 S/N 0300115396 to S/N 0300161285 S/N 0300161285 to Present ( <b>Note: Part of Steer Cylinder - Not Available for Purchase</b> )	
	0561300			
	1001100424			
	See Note			

# SECTION 1 FRAME

**FIGURE 1-1. AXLE AND STEERING INSTALLATION - 2WD WITHOUT TOW PACKAGE  
(CONTINUED)**

ITEM #	PART NUMBER	QTY.	DESCRIPTION	REV.
		Ref.	<b>OSCILLATING AXLE INSTALLATION</b>	
		Ref.	<b>All Specs Except CE Spec</b>	
	0272900	Ref.	<b>S/N 0300096000 to S/N 0300115396</b>	B
	1001093845	Ref.	<b>S/N 0300115396 to S/N 0300140365</b>	B
	1001106910	Ref.	<b>S/N 0300140365 to S/N 0300161285</b>	B
	1001139699	Ref.	<b>S/N 0300161285 to Present</b>	A
		Ref.	<b>CE Spec</b>	
	0272904	Ref.	<b>S/N 0300096000 to S/N 0300115396</b>	B
	1001093973	Ref.	<b>S/N 0300115396 to S/N 0300140365</b>	D
	1001106910	Ref.	<b>S/N 0300140365 to S/N 0300161285</b>	B
	1001139699	Ref.	<b>S/N 0300161285 to Present</b>	A
101	0100011	A/R	Locking, Compound	
102		4	Bolt Options:	
	0641414		Bolt 1/4in-20NC x 1-3/4in (All Specs Except CE Spec) (S/N 0300096000 to S/N 0300140365)	
	0641424		Bolt 1/4in-20NC x 3in (CE Spec) (S/N 0300096000 to S/N 0300140365)	
103	0641607	2	Bolt 3/8in-16NC x 7/8in (S/N 0300096000 to S/N 0300115396 Only)	
104	0642010	2	Bolt 5/8in-11NC x 1-1/4in	
105	0642012	1	Bolt 5/8in-11NC x 1-1/2in	
106	0682248	2	Bolt 3/4in-10NC x 6in (Grade 8) (S/N 0300096000 to S/N 0300115396 Only)	
107	0961950	2	Bushing, Garmax	
108		1	Cam, Lockout	
	1100118		All Specs Except CE Spec	
			CE Spec (Not Shown)	
	1100123		S/N 0300096000 to S/N 0300115396	
	1100118		S/N 0300115396 to S/N 0300140365	
109		2	Lockout Cylinder Assembly Options (See Section 5 for Breakdown):	
109A	1684139		S/N 0300096000 to S/N 0300115396	
109B	1684465		S/N 0300115396 to Present	
110	3272201	2	Nut 3/4in-10NC (S/N 0300096000 to S/N 0300115396 Only)	
111	Not Used			
112	3422592	1	Pin, Axle Pivot	
113	3841258	1	Keeper, Pin	
114	Not Used			
115	3422936	2	Pin (S/N 0300096000 to S/N 0300115396 Only)	
116	Not Used			
117	4567462	2	Tube, Mounting (S/N 0300096000 to S/N 0300115396 Only)	
118	4640871	A/R	Lockout Valve Assembly (S/N 0300096000 to S/N 0300140365)	
		1	All Specs Except CE Spec	
		2	CE Spec	
	7012693	1	Seal Kit - 4640871 Valve	
119	4711400	4	Flatwasher 1/4in Thin (S/N 0300096000 to S/N 0300140365)	
120	4740158	1	Thrustwasher	

## SECTION 1 FRAME

**FIGURE 1-1. AXLE AND STEERING INSTALLATION - 2WD WITHOUT TOW PACKAGE  
(CONTINUED)**

ITEM #	PART NUMBER	QTY.	DESCRIPTION	REV.
121	Not Used			
122	4752000	A/R	Flatwasher 5/8in Regular (S/N 0300096000 to S/N 0300140365)	
123	Not Used			
124		1	Axle Weldment Options:	
	4846551		S/N 0300096000 to S/N 0300115396	
	1001093381		S/N 0300115396 to S/N 0300161285	
	1001139704		S/N 0300161285 to Present	
124A		2	Steer Cylinder Mounting Block Assembly Options:	
	0561300		S/N 0300096000 to S/N 0300131323	
	1001100424		S/N 0300131323 to S/N 0300161285	
	See Note		S/N 0300161285 to Present ( <b>Note: Part of Steer Cylinder - Not Available for Purchase</b> )	
125	4892200	4	Flatwasher 3/4in Hardened (S/N 0300096000 to S/N 0300115396 Only)	
126	0100019	A/R	Locking, Compound (S/N 0300096000 to S/N 0300140365)	
127 to 128	Not Used			
129	3841520	2	Keeper, Pin (S/N 0300096000 to S/N 0300115396 Only)	
130	0641814	8	Bolt 1/2in-13NC x 1-3/4in (S/N 0300115396 to Present Only)	
131	4891800	8	Flatwasher 1/2in Hardened (S/N 0300115396 to Present Only)	
132	0100038	A/R	Primer, Locking	
		Ref.	<b>STEERING INSTALLATION</b>	
	0259148	Ref.	<b>S/N 0300096000 to S/N 0300161285</b>	H
	1001139697	Ref.	<b>S/N 0300161285 to Present</b>	A
201	0100011	A/R	Locking, Compound	
202	0440162	2	Thrustwasher	
203	0641606	4	Bolt 3/8in-16NC x 3/4in	
204		4	Bolt 1/2in-13NC (Grade 8) Options:	
	0681828		Bolt 1/2in-13NC x 3-1/2in	
	0681822		Bolt 1/2in-13NC x 2-3/4in	
205		1	Steer Cylinder Assembly Options (See Section 5 for Breakdown):	
	1684412		S/N 0300096000 to S/N 0300161285	
	1001143434		S/N 0300161285 to Present	
206	2780230	2	Hub/Spindle Assembly (See 301 to 316 for Breakdown)	
207	3312008	4	Nut 5/8in-11NC	
208	3322201	2	Nut 3/4in-16NF (S/N 0300096000 to S/N 0300161285 Only)	
209	3323003	2	Nut 1-1/4in-12NF	
210	3422692	2	Kingpin	
211	3450808	2	Pin, Cotter 1/4in x 2in	
212		A/R	Rod-End Options:	
	Use 3841517	2	S/N 0300096000 to S/N 0300110480 (was p/n 3841367 Rod-End with p/n 7020180 Grease Fitting)	
	3841517	2	S/N 0300110480 to S/N 0300161285	
	Not Required	0	S/N 0300161285 to Present	

# SECTION 1 FRAME

**FIGURE 1-1. AXLE AND STEERING INSTALLATION - 2WD WITHOUT TOW PACKAGE  
(CONTINUED)**

ITEM #	PART NUMBER	QTY.	DESCRIPTION	REV.
213	3841442 1001140570	2	Tie-Rod Options: S/N 0300096000 to S/N 0300161285 S/N 0300161285 to Present	
214	3900109	4	Screw, Shoulder	
215	Not Used			
216	4713000	2	Flatwasher 1-1/4in Thin	
217	4751800	4	Flatwasher 1/2in Regular	
218	4740086	4	Thrustwasher	
	2780230	Ref.	<b>HUB ASSEMBLY</b>	A
301	7020033	2	Cap, Dust (1 per Assembly)	
302	7020034	2	Spindle Assembly (1 per Assembly)	
303	0961951	4	Bushing, Garmax (2 per Assembly)	
304	0962140	2	Bearing, Garmax (1 per Assembly)	
305	7020035	2	Hub (1 per Assembly) (Includes 306 & 307)	
306	7020036	2	Cup, Bearing - Inner(1 per Assembly)	
307	7020038	2	Cup, Bearing - Outer (1 per Assembly)	
308	7020037	2	Cone, Bearing - Inner (1 per Assembly)	
309	7020039	2	Cone, Bearing - Outer (1 per Assembly)	
310	7020040	2	Seal (1 per Assembly)	
311	7020041	18	Stud, Wheel (9 per Assembly)	
312	Not Used			
313	7020042	18	Lugnut (9 per Assembly)	
314	7020054	2	Nut, Castle (1 Per Assembly)	
315	3450608	2	Pin, Cotter (1 Per Assembly)	
316	7020055	2	Washer, Spindle (1 Per Assembly)	
401		Ref.	<b>FRAME WELDMENTS</b>	
			400S with 500Lbs Capacity	
	2360650		S/N 0300096000 to S/N 0300115396	
	2360756		S/N 0300115396 to S/N 0300140365	
	1001106761		S/N 0300140365 to S/N 0300161285	
	1001141045		S/N 0300161285 to Present (All Specs except CE Specs with Foam-Filled Tires)	
	1001141065		S/N 0300161285 to Present (All Specs except CE Specs with Pneumatic Tires)	
	1001141065		S/N 0300161285 to Present (CE Specs)	
			400S with 750Lbs Capacity	
	2360651		S/N 0300096000 to S/N 0300115396	
	2360794		S/N 0300115396 to S/N 0300140365	
	1001106762		S/N 0300140365 to S/N 0300161285	
	1001143571		S/N 0300161285 to Present	
			460SJ (All Specs Except CE Spec)	
	2360652		S/N 0300096000 to S/N 0300115396	
	2360795		S/N 0300115396 to S/N 0300140365	
	1001106763		S/N 0300140365 to S/N 0300161285	
	1001143571		S/N 0300161285 to Present (With Foam-Filled Tires)	
	1001141058		S/N 0300161285 to Present (With Pneumatic Tires)	

## SECTION 1 FRAME

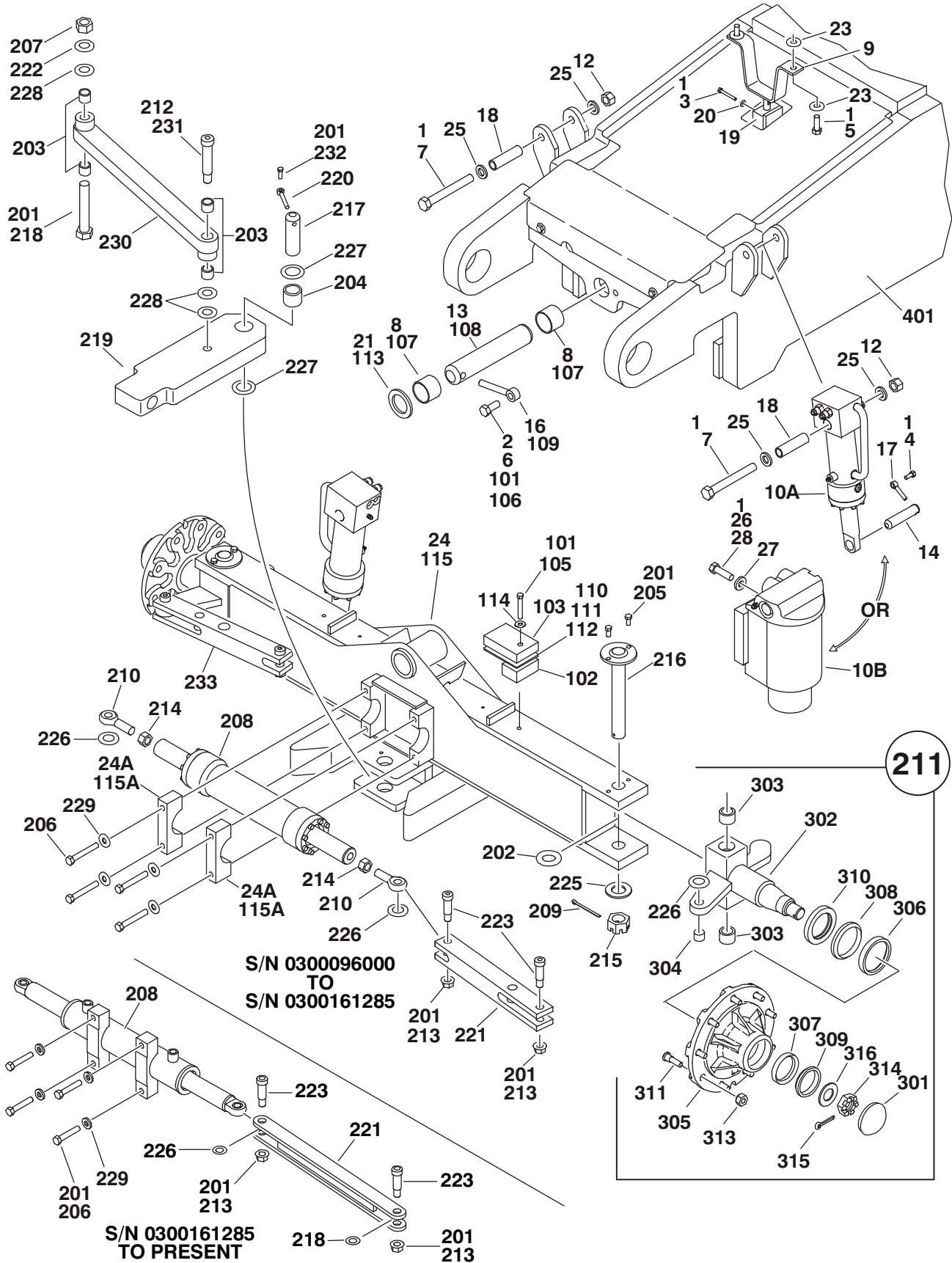
**FIGURE 1-1. AXLE AND STEERING INSTALLATION - 2WD WITHOUT TOW PACKAGE  
(CONTINUED)**

ITEM #	PART NUMBER	QTY.	DESCRIPTION	REV.
	2360653		460SJ (CE Spec with Pneumatic Tires)	
	2360796		S/N 0300096000 to S/N 0300115396	
	1001106764		S/N 0300115396 to S/N 0300140365	
	1001141058		S/N 0300140365 to S/N 0300161285	
			S/N 0300161285 to Present	
	2360652		460SJ (CE Spec with Foam-Filled Tires)	
	2360795		S/N 0300096000 to S/N 0300115396	
	1001106763		S/N 0300115396 to S/N 0300140365	
	1001141058		S/N 0300140365 to S/N 0300161285	
			S/N 0300161285 to Present	



# SECTION 1 FRAME

FIGURE 1-2. AXLE AND STEERING INSTALLATION - 2WD WITH TOW PACKAGE



## SECTION 1 FRAME

**FIGURE 1-2. AXLE AND STEERING INSTALLATION - 2WD WITH TOW PACKAGE**

ITEM #	PART NUMBER	QTY.	DESCRIPTION	REV.
		Ref.	<b>OSCILLATING AXLE INSTALLATION</b>	
	0273473	Ref.	<b>S/N 0300096000 to S/N 0300115396</b>	C
	1001093929	Ref.	<b>S/N 0300115396 to S/N 0300140365</b>	D
	1001108382	Ref.	<b>S/N 0300140365 to S/N 0300161285</b>	A
	1001139743	Ref.	<b>S/N 0300161285 to Present</b>	A
1	0100011	A/R	Locking, Compound	
2	0100019	A/R	Locking, Compound	
3	0641424	4	Bolt 1/4in-20NC x 3in (S/N 0300096000 to S/N 0300140365 Only)	
4	0641607	2	Bolt 3/8in-16NC x 7/8in (S/N 0300096000 to S/N 0300115396 Only)	
5	0642010	2	Bolt 5/8in-11NC x 1-1/4in (S/N 0300096000 to S/N 0300140365 Only)	
6	0642012	1	Bolt 5/8in-11NC x 1-1/2in	
7	0682248	2	Bolt 3/4in-10NC x 6in (S/N 0300096000 to S/N 0300115396 Only)	
8	0961950	2	Bushing, Garmax	
9		1	Cam, Lockout Options:	
	1100123		S/N 0300096000 to S/N 0300115396	
	1100118		S/N 0300115396 to S/N 0300140365	
10		2	Lockout Cylinder Assembly Options (See Section 5 for Breakdown):	
10A	1684139		S/N 0300096000 to S/N 0300115396	
10B	1684465		S/N 0300115396 to Present	
11	Not Used			
12	3272201	2	Nut 3/4in-10NC (S/N 0300096000 to S/N 0300115396 Only)	
13	3422592	1	Pin, Axle Pivot	
14	3422936	2	Pin (S/N 0300096000 to S/N 0300115396 Only)	
15	Not Used			
16	3841258	1	Keeper, Pin	
17	3841520	2	Keeper, Pin (S/N 0300096000 to S/N 0300115396 Only)	
18	4567462	2	Tube, Mounting (S/N 0300096000 to S/N 0300115396 Only)	
19	4640871	1	Lockout Valve Assembly (S/N 0300096000 to S/N 0300140365 Only)	
	7012693	1	Seal Kit - 4640871 Valve	
	7002840	1	Anti-Rotation Pin Removal Tool	
20	4711400	4	Flatwasher 1/4in Thin (S/N 0300096000 to S/N 0300140365 Only)	
21	4740158	1	Thrustwasher	
22	Not Used			
23	4752000	A/R	Flatwasher 5/8in Regular (S/N 0300096000 to S/N 0300140365 Only)	
24		1	Axle Weldment Options:	
	4846801		S/N 0300096000 to S/N 0300115396	
	1001093879		S/N 0300115396 to S/N 0300161285	
	1001139705		S/N 0300161285 to Present	

# SECTION 1 FRAME

**FIGURE 1-2. AXLE AND STEERING INSTALLATION - 2WD WITH TOW PACKAGE**

ITEM #	PART NUMBER	QTY.	DESCRIPTION	REV.
24A	0561300 1001100424 See Note	2	Steer Cylinder Mounting Block Assembly Options: S/N 0300096000 to S/N 0300131323 S/N 0300115396 to S/N 0300161285 S/N 0300161285 to Present ( <b>Note: Part of Steer Cylinder - Not Available for Purchase</b> )	
25	4892200	4	Flatwasher 3/4in Hardened (S/N 0300096000 to S/N 0300115396 Only)	
26	0641814	8	Bolt 1/2in-13NC x 1-3/4in (S/N 0300115396 to Present Only)	
27	4891800	8	Flatwasher 1/2in Hardened (S/N 0300115396 to Present Only)	
28	0100038	A/R	Primer, Locking	
		Ref.	<b>FIXED AXLE INSTALLATION</b>	
	0272906	Ref.	<b>S/N 0300096000 to S/N 0300115396</b>	C
	1001093928	Ref.	<b>S/N 0300115396 to S/N 0300161285</b>	D
	1001139742	Ref.	<b>S/N 0300161285 to Present</b>	A
101	0100011	A/R	Locking, Compound	
102	0362932 1001093846	2	Block, Stop Plate Options: S/N 0300096000 to S/N 0300115396 S/N 0300115396 to Present	
103	0362954 1001093851	2	Plate, Stop Options: S/N 0300096000 to S/N 0300115396 S/N 0300115396 to Present	
104	Not Used			
105	0641626 0641616	2	Bolt 3/8in-16NC Options: S/N 0300096000 to S/N 0300115396 S/N 0300115396 to Present	
106	0642012	1	Bolt 5/8in-11NC x 1-1/2in	
107	0961950	2	Bushing, Garmax	
108	3422592	1	Pin, Axle Pivot	
109	3841258	1	Keeper, Pin	
110	4071121	2	Shim.063in (S/N 0300161285 to Present Only)	
111	4070973	2	Shim 11Ga (S/N 0300096000 to S/N 0300115396 Only)	
112	4071002	4	Shim 20Ga (S/N 0300096000 to S/N 0300115396 Only)	
113	4740158	1	Thrustwasher	
114	4751600	2	Flatwasher 3/8in Regular	
115	4846426 1001093879 1001139705	1	Axle Weldment Options: S/N 0300096000 to S/N 0300115396 S/N 0300115396 to S/N 0300161285 S/N 0300161285 to Present	
115A	0561300 1001100424 See Note	2	Steer Cylinder Mounting Block Assembly Options: S/N 0300096000 to S/N 0300131323 S/N 0300131323 to S/N 0300161285 S/N 0300161285 to Present ( <b>Note: Part of Steer Cylinder - Not Available for Purchase</b> )	

## SECTION 1 FRAME

**FIGURE 1-2. AXLE AND STEERING INSTALLATION - 2WD WITH TOW PACKAGE**

ITEM #	PART NUMBER	QTY.	DESCRIPTION	REV.
		Ref.	<b>STEERING INSTALLATION</b>	
	0272804	Ref.	<b>S/N 0300096000 to S/N 0300161285</b>	G
	1001139901	Ref.	<b>S/N 0300161285 to Present</b>	B
201	0100011	A/R	Locking, Compound	
202	0440162	2	Thrustwasher	
203	0962292	4	Bushing	
204	0962348	1	Bushing	
205	0641606	4	Bolt 3/8in-16NC x 3/4in	
206		4	Bolt 1/2in-13NC (Grade 8) Options:	
	0681824		Bolt 1/2in-13NC x 3in	
	0681822		Bolt 1/2in-13NC x 2-3/4in	
207	3272205	2	Locknut 3/4in-16NF	
208		1	Steer Cylinder Assembly Options (See Section 5 for Breakdown):	
	1684412		S/N 0300096000 to S/N 0300161285	
	1001143434		S/N 0300161285 to Present	
209	3450808	2	Pin, Cotter 1/4in x 2in	
210		2	Rod-End Options:	
	Use 3841517		S/N 0300096000 to S/N 0300110480 (was p/n 3841367 Rod-End with p/n 7020180 Grease Fitting)	
	3841517	2	S/N 0300110480 to S/N 0300161285	
	Not Required	0	S/N 0300161285 to Present	
211	2780230	2	Hub/Spindle Assembly (See 301 to 316 for Breakdown)	
212	3900295	1	Bolt, Shoulder 1in x 3in	
213	3312008	4	Nut 5/8in-11NC	
214	3322201	2	Nut 3/4in-16NF (S/N 0300096000 to S/N 0300161285 Only)	
215	3323003	2	Nut 1-1/4in-12NF	
216	3422692	2	Kingpin	
217	3422848	1	Pin, Hitch	
218	3900296	1	Bolt, Shoulder 1in x 4-1/2in	
219	3574235	1	Plate, Tow Bar Pivot	
220	3841143	1	Keeper	
221		1	Tie-Rod Options:	
	3841619		S/N 0300096000 to S/N 0300161285	
	Use 1001150314		S/N 0300161285 to Present (was p/n 1001139877)	
222	4712400	1	Flatwasher 7/8in Thin	
223		A/R	Bolt, Shoulder Options:	
	3900109		Bolt, Shoulder 3/4in x 1-3/4in	
	3900327		Bolt, Shoulder 3/4in x 2in	
224	Not Used			
225	4713000	2	Flatwasher 1-1/4in Thin	
226	4740086	4	Thrustwasher	
227	4740155	2	Thrustwasher	
228	4740491	3	Thrustwasher	
229	4751800	4	Flatwasher 1/2in Regular	
230	Use 1001150315	1	Weldment, Link (was p/n 4846802)	
231	0100019	A/R	Locking, Compound	
232	0641508	1	Bolt 5/16in-18NC x 1in	

# SECTION 1 FRAME

**FIGURE 1-2. AXLE AND STEERING INSTALLATION - 2WD WITH TOW PACKAGE**

ITEM #	PART NUMBER	QTY.	DESCRIPTION	REV.
233	3841619 1001140570	1	Tie-Rod Options: S/N 0300096000 to S/N 0300161285 S/N 0300161285 to Present	
	2780230	Ref.	<b>HUB ASSEMBLY</b>	A
301	7020033	2	Cap, Dust (1 per Assembly)	
302	7020034	2	Spindle Assembly (1 per Assembly)	
303	0961951	4	Bushing, Garmax (2 per Assembly)	
304	0962140	2	Bearing, Garmax (1 per Assembly)	
305	7020035	2	Hub (1 per Assembly) (Includes 306 & 307)	
306	7020036	2	Cup, Bearing - Inner(1 per Assembly)	
307	7020038	2	Cup, Bearing - Outer (1 per Assembly)	
308	7020037	2	Cone, Bearing - Inner (1 per Assembly)	
309	7020039	2	Cone, Bearing - Outer (1 per Assembly)	
310	7020040	2	Seal (1 per Assembly)	
311	7020041	18	Stud, Wheel (9 per Assembly)	
312	Not Used			
313	7020042	18	Lugnut (9 per Assembly)	
314	7020054	2	Nut, Castle (1 Per Assembly)	
315	3450608	2	Pin, Cotter (1 Per Assembly)	
316	7020055	2	Washer, Spindle (1 Per Assembly)	
401		Ref.	<b>FRAME WELDMENTS</b>	
	2360650		400S with 500Lbs Capacity S/N 0300096000 to S/N 0300115396	
	2360756		S/N 0300115396 to S/N 0300140365	
	1001106761		S/N 0300140365 to S/N 0300161285	
	1001141045		S/N 0300161285 to Present (All Specs except CE Specs with Foam-Filled Tires)	
	1001141065		S/N 0300161285 to Present (All Specs except CE Specs with Pneumatic Tires)	
	1001141065		S/N 0300161285 to Present (CE Specs)	
			400S with 750Lbs Capacity	
	2360651		S/N 0300096000 to S/N 0300115396	
	2360794		S/N 0300115396 to S/N 0300140365	
	1001106762		S/N 0300140365 to S/N 0300161285	
	1001143571		S/N 0300161285 to Present	
			460SJ (All Specs Except CE Spec)	
	2360652		S/N 0300096000 to S/N 0300115396	
	2360795		S/N 0300115396 to S/N 0300140365	
	1001106763		S/N 0300140365 to S/N 0300161285	
	1001143571		S/N 0300161285 to Present (With Foam-Filled Tires)	
	1001141058		S/N 0300161285 to Present (With Pneumatic Tires)	
			460SJ (CE Spec with Pneumatic Tires)	
	2360653		S/N 0300096000 to S/N 0300115396	
	2360796		S/N 0300115396 to S/N 0300140365	
	1001106764		S/N 0300140365 to S/N 0300161285	
	1001141058		S/N 0300161285 to Present	

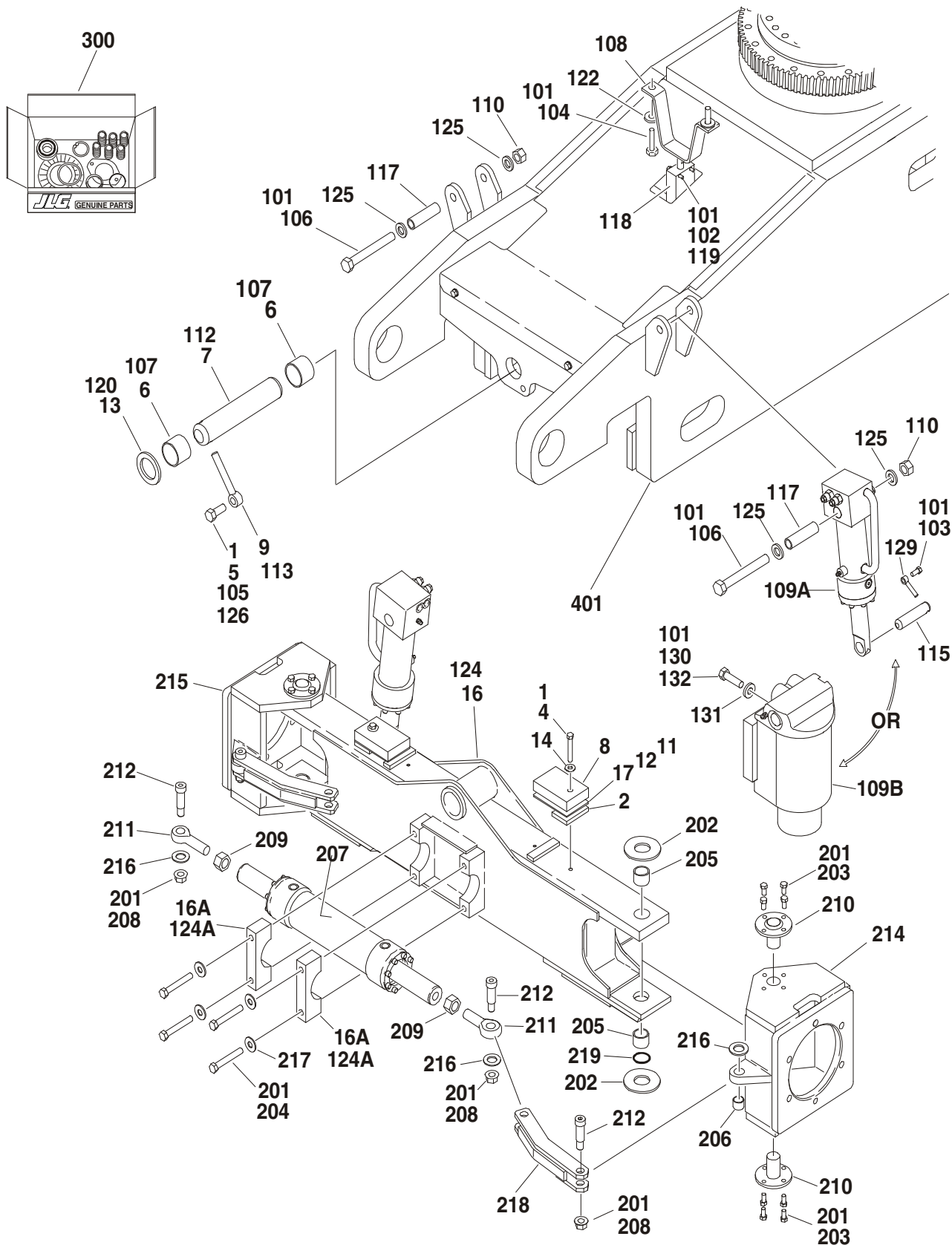
## SECTION 1 FRAME

**FIGURE 1-2. AXLE AND STEERING INSTALLATION - 2WD WITH TOW PACKAGE**

ITEM #	PART NUMBER	QTY.	DESCRIPTION	REV.
	2360652		460SJ (CE Spec with Foam-Filled Tires)	
	2360795		S/N 0300096000 to S/N 0300115396	
	1001106763		S/N 0300115396 to S/N 0300140365	
	1001141058		S/N 0300140365 to S/N 0300161285	
			S/N 0300161285 to Present	

# SECTION 1 FRAME

FIGURE 1-3. AXLE & STEERING INSTALLATION - 4WD (S/N 0300096000 TO S/N 0300161285)



## SECTION 1 FRAME

**FIGURE 1-3. AXLE & STEERING INSTALLATION - 4WD (S/N 0300096000 TO S/N 0300161285)**

ITEM #	PART NUMBER	QTY.	DESCRIPTION	REV.
		Ref.	<b>FIXED AXLE INSTALLATION</b>	
	0272903	Ref.	<b>S/N 0300096000 to S/N 0300115396</b>	B
	0275112	Ref.	<b>S/N 0300115396 to S/N 0300161285</b>	D
1	0100011	A/R	Locking, Compound	
2	0362965	2	Bar, Stop (S/N 0300096000 to S/N 0300115396 Only)	
3	Not Used			
4	0641620	2	Bolt 3/8in-16NC x 2-1/2in	
5	0642012	1	Bolt 5/8in-11NC x 1-1/2in	
6	0961950	2	Bushing, Garmax	
7	3422592	1	Pin, Axle Pivot	
8		2	Plate, Stop Options: S/N 0300096000 to S/N 0300115396 S/N 0300115396 to S/N 03001154779 S/N 03001154779 to S/N 0300161285	
	0362954			
	4071119			
	1001093851			
9	3841258	1	Keeper, Pin	
10	Not Used			
11	4070973	A/R	Shim 1/8in (S/N 0300096000 to S/N 0300115396 Only)	
12		A/R	Shim Options: S/N 0300096000 to S/N 0300115396 S/N 0300115396 to S/N 0300161285	
	4070972	A/R		
	4071121	2		
13	4740158	1	Thrustwasher	
14	4751600	2	Flatwasher 3/8in Regular	
15	Not Used			
16		1	Axle Weldment Options: S/N 0300096000 to S/N 0300115396 S/N 0300115396 to S/N 0300161285	
	4846550			
	1001093380			
16A		2	Steer Cylinder Mounting Block Assembly Options: S/N 0300096000 to S/N 0300131323 S/N 0300131323 to S/N 0300161285	
	0561300			
	1001100424			
17	4071002	A/R	Shim 20-Gauge (S/N 0300096000 to S/N 0300115396 Only)	
		Ref.	<b>OSCILLATING AXLE INSTALLATION</b>	
		Ref.	<b>All Specs Except CE Spec</b>	
	0272901	Ref.	<b>S/N 0300096000 to S/N 0300115396</b>	B
	0275113	Ref.	<b>S/N 0300115396 to S/N 0300140365</b>	C
	1001106911	Ref.	<b>S/N 0300140365 to S/N 0300161285</b>	B
		Ref.	<b>CE Spec</b>	
	0272905	Ref.	<b>S/N 0300096000 to S/N 0300115396</b>	B
	1001093972	Ref.	<b>S/N 0300115396 to S/N 0300140365</b>	D
	1001106911	Ref.	<b>S/N 0300140365 to S/N 0300161285</b>	B
101	0100011	A/R	Locking, Compound	
102		4	Bolt Options (S/N 0300096000 to S/N 0300140365 Only): Bolt 1/4in-20NC x 1-3/4in (All Specs Except CE Spec) Bolt 1/4in-20NC x 3in (CE Spec)	
	0641414			
	0641424			
103	0641607	2	Bolt 3/8in-16NC x 7/8in (S/N 0300096000 to S/N 0300115396 Only)	
104	0642010	2	Bolt 5/8in-11NC x 1-1/4in	



# SECTION 1 FRAME

**FIGURE 1-3. AXLE & STEERING INSTALLATION - 4WD (S/N 0300096000 TO S/N 0300161285)**

ITEM #	PART NUMBER	QTY.	DESCRIPTION	REV.
105	0642012	1	Bolt 5/8in-11NC x 1-1/2in	
106	0682248	2	Bolt 3/4in-10NC x 6in (Grade 8) (S/N 0300096000 to S/N 0300115396 Only)	
107	0961950	2	Bushing, Garmax	
108		1	Cam, Lockout Options (S/N 0300096000 to S/N 0300140365 Only):	
	1100118		All Specs Except CE Spec CE Spec (Not Shown)	
	1100123		S/N 0300096000 to S/N 0300115396	
	1100118		S/N 0300115396 to S/N 0300140365	
109		2	Lockout Cylinder Assembly Options (See Section 5 for Breakdown):	
109A	1684139		S/N 0300096000 to S/N 0300115396	
109B	1684465		S/N 0300115396 to S/N 0300161285	
110	3272201	2	Nut 3/4in-10NC (S/N 0300096000 to S/N 0300115396 Only)	
111	Not Used			
112	3422592	1	Pin, Axle Pivot	
113	3841258	1	Keeper, Pin	
114	Not Used			
115	3422936	2	Pin (S/N 0300096000 to S/N 0300115396 Only)	
116	Not Used			
117	4567462	2	Tube, Mounting (S/N 0300096000 to S/N 0300115396 Only)	
118	4640871	A/R	Lockout Valve Assembly (S/N 0300096000 to S/N 0300140365 Only)	
		1	All Specs Except CE Spec	
		2	CE Spec	
	7012693	1	Seal Kit - 4640871 Valve	
119	4711400	4	Flatwasher 1/4in Thin	
120	4740158	1	Thrustwasher	
121	Not Used			
122	4752000	4	Flatwasher 5/8in Regular	
123	Not Used			
124		1	Axle Weldment Options:	
	4846550		S/N 0300096000 to S/N 0300115396	
	1001093380		S/N 0300115396 to S/N 0300161285	
124A		2	Steer Cylinder Mounting Block Assembly Options:	
	0561300		S/N 0300096000 to S/N 0300131323	
	1001100424		S/N 0300131323 to S/N 0300161285	
125	4892200	4	Flatwasher 3/4in Hardened (S/N 0300096000 to S/N 0300115396 Only)	
126	0100019	A/R	Locking, Compound	
127 to 128	Not Used			
129	3841520	2	Keeper, Pin (S/N 0300096000 to S/N 0300115396 Only)	
130	0641814	8	Bolt 1/2in-13NC x 1-3/4in (S/N 0300115396 to S/N 0300161285 Only)	
131	4891800	8	Flatwasher 1/2in Hardened (S/N 0300115396 to S/N 0300161285 Only)	
132	0100038	A/R	Primer, Locking	

## SECTION 1 FRAME

**FIGURE 1-3. AXLE & STEERING INSTALLATION - 4WD (S/N 0300096000 TO S/N 0300161285)**

ITEM #	PART NUMBER	QTY.	DESCRIPTION	REV.
	0272927	Ref.	<b>STEERING INSTALLATION</b>	G
201	0100011	A/R	Locking, Compound	
202		A/R	Thrustwasher Options:	
	4740537	A/R	Thrustwasher (.0625) (Top Kingpin Location)	
	4740538	A/R	Thrustwasher (.125) (Top Kingpin Location)	
	4740539	A/R	Thrustwasher (.188) (Top Kingpin Location)	
	4740540	A/R	Thrustwasher (.250) (Top Kingpin Location)	
	0440271	2	Thrustwasher (Bottom Kingpin Location)	
203	0641606	16	Bolt 3/8in-16NC x 3/4in	
204	0681828	4	Bolt 1/2in-13NC x 3-1/2in (Grade 8) Options:	
205		A/R	Bushing, Garmax Options:	
	0440291	2	Bushing (Top Kingpin Location)	
	0440274	2	Bushing (Bottom Kingpin Location)	
206	0962140	2	Bearing, Garmax	
207	1684412	1	Steer Cylinder Assembly (See Section 5 for Breakdown)	
208	3312008	A/R	Nut 5/8in-11NC	
209	3322201	2	Nut 3/4in-16NF	
210	3423081	4	Kingpin	
211		2	Rod-End Options:	
	Use 3841517		S/N 0300096000 to S/N 0300110480 (was p/n 3841367 Rod-End with p/n 7020180 Grease Fitting)	
	3841517		S/N 0300110480 to S/N 0300161285	
212	3900109	4	Screw, Shoulder	
213	Not Used			
214	4130405	1	Spindle (Left Side)	
215	4130406	1	Spindle (Right Side)	
216	4740086	4	Thrustwasher	
217	4751800	4	Flatwasher 1/2in Regular	
218	4846070	2	Tie-Rod	
219	3780182	2	O-Ring (Bottom Kingpin Location Only)	
220 to 223	Not Used			
224	3020029	A/R	Grease, Bearing	
300	2902400	1	Kingpin and Bushings Rebuild Kit (Includes Items 202, 203, 205, 210 and 219):	

# SECTION 1 FRAME

**FIGURE 1-3. AXLE & STEERING INSTALLATION - 4WD (S/N 0300096000 TO S/N 0300161285)**

ITEM #	PART NUMBER	QTY.	DESCRIPTION	REV.
401		Ref.	<b>FRAME WELDMENTS</b>	
	2360650		400S with 500Lbs Capacity	
	2360756		S/N 0300096000 to S/N 0300115396	
	1001106761		S/N 0300115396 to S/N 0300140365	
			S/N 0300140365 to S/N 0300161285	
	2360651		400S with 750Lbs Capacity	
	2360794		S/N 0300096000 to S/N 0300115396	
	1001106762		S/N 0300115396 to S/N 0300140365	
			S/N 0300140365 to S/N 0300161285	
	2360652		460SJ (All Specs Except CE Spec)	
	2360795		S/N 0300096000 to S/N 0300115396	
	1001106763		S/N 0300115396 to S/N 0300140365	
			S/N 0300140365 to S/N 0300161285	
	2360653		460SJ (CE Spec with Pneumatic Tires)	
	2360796		S/N 0300096000 to S/N 0300115396	
	1001106764		S/N 0300115396 to S/N 0300140365	
			S/N 0300140365 to S/N 0300161285	
	2360652		460SJ (CE Spec with Foam-Filled Tires)	
	2360795		S/N 0300096000 to S/N 0300115396	
	1001106763		S/N 0300115396 to S/N 0300140365	
			S/N 0300140365 to S/N 0300161285	

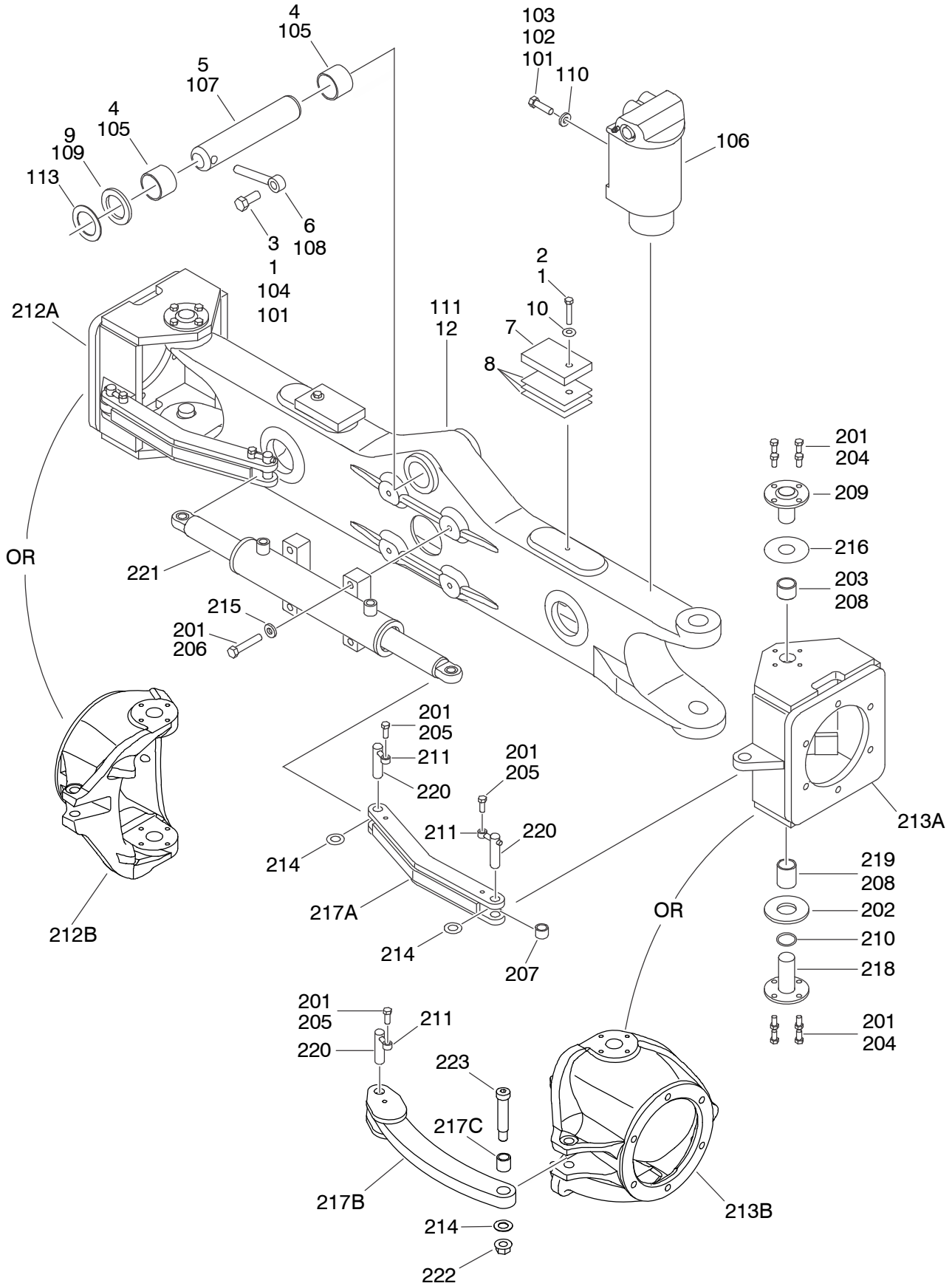
# SECTION 1 FRAME

**FIGURE 1-3. AXLE & STEERING INSTALLATION - 4WD (S/N 0300096000 TO S/N 0300161285)**

ITEM #	PART NUMBER	QTY.	DESCRIPTION	REV.

# SECTION 1 FRAME

FIGURE 1-4. AXLE & STEERING INSTALLATION - 4WD (S/N 0300161285 TO PRESENT)



## SECTION 1 FRAME

**FIGURE 1-4. AXLE & STEERING INSTALLATION - 4WD (S/N 0300161285 TO PRESENT)**

ITEM #	PART NUMBER	QTY.	DESCRIPTION	REV.
	1001139617	Ref.	<b>FIXED AXLE INSTALLATION</b>	A
1	0100011	A/R	Locking, Compound	
2	0641612	2	Bolt 3/8in-16NC x 1-1/2in	
3	0642012	1	Bolt 5/8in-11NC x 1-1/2in	
4	0961950	2	Bushing, Garmax	
5	3422592	1	Pin, Axle Pivot	
6	3841258	1	Keeper, Pin	
7	1001093851	2	Plate	
8	4071121	2	Shim Options:	
9	4740158	1	Thrustwasher	
10	4751600	2	Flatwasher 3/8in Regular	
11	Not Used			
12	1001098130	1	Axle Weldment	
	1001139616	Ref.	<b>OSCILLATING AXLE INSTALLATION</b>	B
101	0100011	A/R	Locking, Compound	
102	0100038	A/R	Primer, Locking	
103	0641814	8	Bolt 1/2in-13NC x 1-3/4in	
104	0642012	1	Bolt 5/8in-11NC x 1-1/2in	
105	0961950	2	Bushing, Garmax	
106	1684465	2	Lockout Cylinder Assembly (See Section 5 for Breakdown):	
107	3422592	1	Pin, Axle Pivot	
108	3841258	1	Keeper, Pin	
109		1	Thrustwasher Options:	
	4740158		S/N 0300096000 to S/N 0300167046	
	4740229		S/N 0300167046 to Present	
110	4891800	8	Flatwasher 1/2in Hardened (	
111	1001098130	1	Axle Weldment	
112	Not Used			
113	4071101	A/R	Shim (S/N 0300167046 to Present)	
		Ref.	<b>STEERING INSTALLATION</b>	
	1001139049	Ref.	<b>S/N 0300161285 to S/N 0300164034</b>	B
	1001139935	Ref.	<b>S/N 0300164034 to Present</b>	B
201	0100011	A/R	Locking, Compound	
202	0440271	2	Thrustwasher	
203	0440291	2	Bearing	
204	0641606	16	Bolt 3/8in-16NC x 3/4in	
205		A/R	Bolt 3/8in-16NC Options:	
	0681608	4	Bolt 1in Grade 8 (S/N 0300161285 to S/N 0300164034)	
	0681607	2	Bolt 7/8in Grade 5 (S/N 0300164034 to Present)	
206	0681820	4	Bolt 1/2in-13NC x 2-1/2in	
207	0962140	2	Bearing (S/N 0300161285 to S/N 0300164034 Only)	
208	3020029	A/R	Grease, Bearing	

# SECTION 1 FRAME

**FIGURE 1-4. AXLE & STEERING INSTALLATION - 4WD (S/N 0300161285 TO PRESENT)**

ITEM #	PART NUMBER	QTY.	DESCRIPTION	REV.
209	3423081	2	Kingpin Options:	
	1001139141		Kingpin (S/N 0300161285 to S/N 0300164034)	
			Kingpin (S/N 0300164034 to Present)	
210	3780182	2	O-Ring	
211	3841520	A/R	Keeper	
212		1	Spindle (Left Side) Options:	
212A	4130405		S/N 0300161285 to S/N 0300164034	
212B	1001139645		S/N 0300164034 to Present	
213		1	Spindle (Right Side) Options:	
213A	4130406		S/N 0300161285 to S/N 0300164034	
213B	1001139645		S/N 0300164034 to Present	
214	4740086	4	Thrustwasher	
215	4891800	4	Flatwasher 1/2in Hardened	
216	1001138780	A/R	Shim (S/N 0300161285 to S/N 0300164034 Only)	
217		2	Tie-Rod Options:	
217A	1001139048		Tie-Rod (S/N 0300161285 to S/N 0300164034)	
217B	1001139892		Tie-Rod (S/N 0300164034 to Present)	
217C	1001139943	2	Bushing for 1001139892 Tie-Rod (1 Per Tie-Rod)	
218	1001139141	2	Kingpin	
219	1001139476	2	Bearing	
220		A/R	Pin Options:	
	1001139586	4	Pin (S/N 0300161285 to S/N 0300164034)	
	1001116867	2	Pin (S/N 0300164034 to Present)	
221	1001143434	1	Steer Cylinder Assembly (See Section 5 for Breakdown):	
222	3312008	A/R	Nut, Flanged 5/8in-11NC (S/N 0300164034 to Present Only)	
223	3900255	2	Screw, Shoulder (S/N 0300164034 to Present Only)	
		Ref.	<b>FRAME WELDMENTS</b>	
			400S with 500Lbs Capacity	
	1001141045		All Specs except CE Specs with Foam-Filled Tires & Australian Specs	
	1001141065		All Specs except CE Specs with Pneumatic Tires & Australian Specs	
	1001141065		CE Specs	
	Not Available		Australian Spec	
			400S with 750Lbs Capacity	
	1001143571		All Specs Except Australian Spec	
	Not Available		Australian Spec	
			460SJ	
	1001143571		All Specs Except CE Spec with Foam-Filled Tires	
	1001141058		All Specs Except CE Spec with Pneumatic Tires	
	1001141058		CE Spec with Pneumatic Tires	
	1001141058		CE Spec with Foam-Filled Tires	

# SECTION 1 FRAME

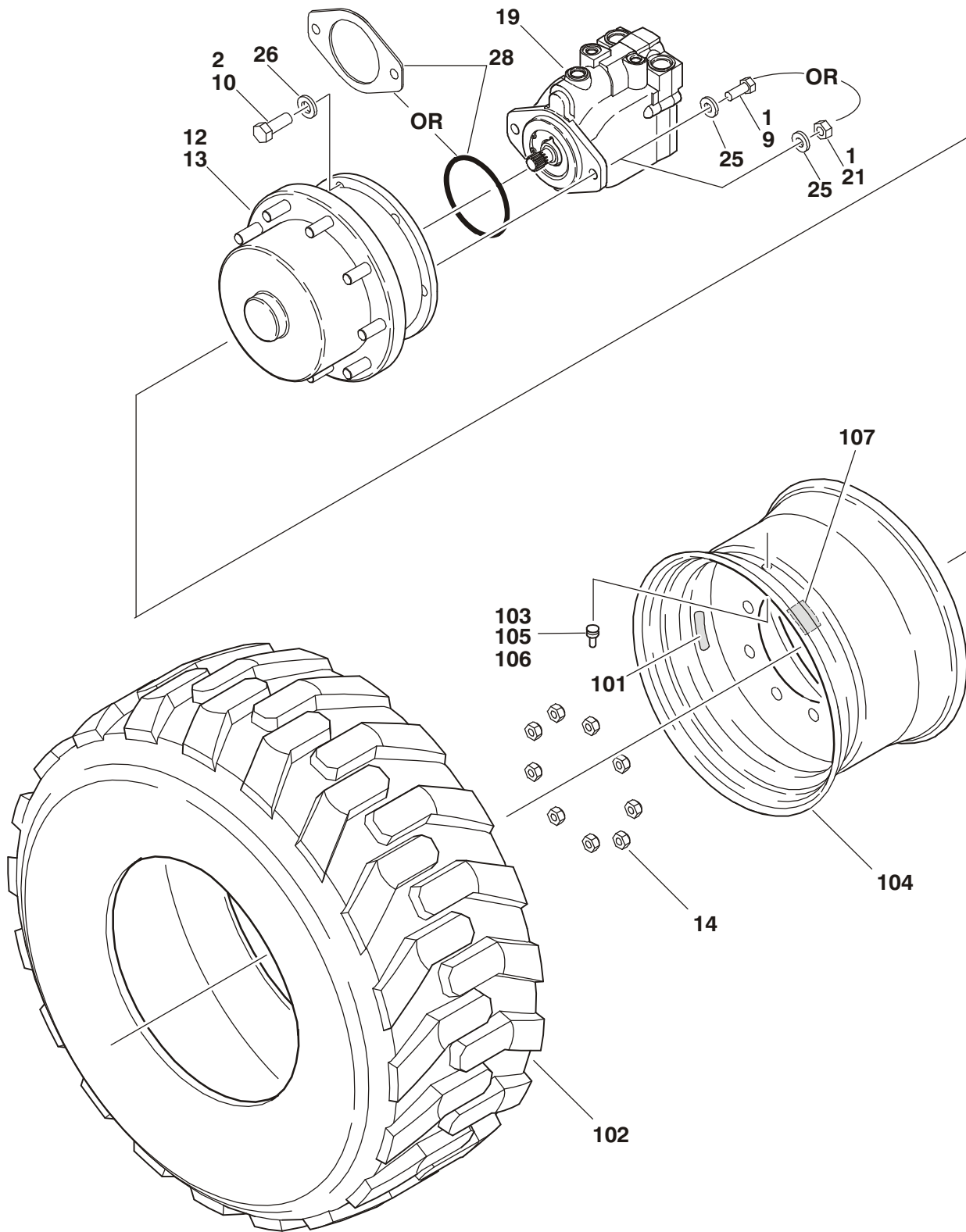
**FIGURE 1-4. AXLE & STEERING INSTALLATION - 4WD (S/N 0300161285 TO PRESENT)**

ITEM #	PART NUMBER	QTY.	DESCRIPTION	REV.



# SECTION 1 FRAME

## FIGURE 1-5. TIRE AND WHEEL DRIVE INSTALLATIONS



## SECTION 1 FRAME

**FIGURE 1-5. TIRE AND WHEEL DRIVE INSTALLATIONS**

ITEM #	PART NUMBER	QTY.	DESCRIPTION	REV.
		Ref.	<b>WHEEL DRIVE INSTALLATIONS</b>	
		Ref.	<b>2WD</b>	
	0272926	Ref.	<b>S/N 0300096000 to S/N 0300115396</b>	C
	1001093749	Ref.	<b>S/N 0300115396 to Present</b>	D
		Ref.	<b>4WD</b>	
	0272925	Ref.	<b>S/N 0300096000 to S/N 0300115396</b>	E
	1001093747	Ref.	<b>S/N 0300115396 to Present</b>	B
1	0100011	A/R	Locking, Compound	
2	0100019	A/R	Locking, Compound	
3 to 8	Not Used			
9	0681810	4	Bolt 1/2in-13NC x 1-1/4in (Grade 8) (4WD Front Axle Only)	
10	0682014	A/R	Bolt 5/8in-11NC x 1-3/4in (Grade 8)	
11	2300016	A/R	Fluid, Hydraulic (Not Shown - Use with Brake)	
12	2780267	2	Drive Hub/Brake Assembly (Rear) (See Figure 1-6 for Breakdown)	
13		A/R	Drive Hub Assembly Options (Front):	
	Not Required	0	2WD	
	2780268	2	4WD (See Figure 1-5 for Breakdown)	
14	3300106	A/R	Lugnut (9 Per Hub)	
15 to 18	Not Used			
19		A/R	Drive Motor Assembly Options:	
		2	2WD Rear Options:	
	Use 3160351		S/N 0300096000 to S/N 03000098502 (was p/n 3160298 - See Figure 1-7 for Breakdown) (For p/n 3160351 - See Figure 1-8 for Breakdown)	
	3160351		S/N 0300098502 to Present (See Figure 1-8 for Breakdown)	
		4	4WD Front & Rear Options:	
	Use 3160348		S/N 0300096000 to S/N 0300098502 (was p/n 3160266 - See Figure 1-7 for Breakdown) (For p/n 3160348 - See Figure 1-8 for Breakdown)	
	3160348		S/N 0300098502 to Present (See Figure 1-8 for Breakdown)	
20	Not Used			
21	3311801	4	Nut 1/2in-13NC (All Rear Axles)	
22 to 24	Not Used			
25	4891800	A/R	Flatwasher 1/2in Hardened	
26	4892000	A/R	Flatwasher 5/8in Hardened	
27	Not Used			
28		A/R	Hardware Options:	
	3790045		O-Ring (1 Per Motor) (S/N 0300096000 to S/N 0300103381)	
	3960526		Gasket (1 Per Motor) (S/N 0300103381 to Present)	

# SECTION 1 FRAME

**FIGURE 1-5. TIRE AND WHEEL DRIVE INSTALLATIONS (CONTINUED)**

ITEM #	PART NUMBER	QTY.	DESCRIPTION	REV.
		Ref.	<b>TIRE AND WHEEL INSTALLATIONS</b>	
	0270091	Ref.	<b>12 x 16.5 Pneumatic (ANSI &amp; ANSI Export Specs)</b>	A
	0270650	Ref.	<b>12 x 16.5 Pneumatic (Non-Marking) (ANSI &amp; ANSI Export Specs)</b>	A
	0272924	Ref.	<b>12 x 16.5 Pneumatic LT (ANSI Spec Only)</b>	A
	0272310	Ref.	<b>12 x 16.5 Pneumatic TS (ANSI &amp; ANSI Export Specs)</b>	1
	0270092	Ref.	<b>12 x 16.5 Foam-Filled (All Specs)</b>	A
	0270653	Ref.	<b>12 x 16.5 Foam-Filled (Non-Marking) (All Specs)</b>	A
	0271995	Ref.	<b>14 x 17.5 Pneumatic (ANSI &amp; ANSI Export Specs)</b>	A
	0272311	Ref.	<b>14 x 17.5 Pneumatic TS (ANSI &amp; ANSI Export Specs)</b>	1
	0271998	Ref.	<b>14 x 17.5 Foam-Filled (All Specs)</b>	A
	0270093	Ref.	<b>33/16LL x 16.1 Pneumatic (ANSI &amp; ANSI Export Specs)</b>	A
	1001103479	Ref.	<b>33/16LL x 16.1 Pneumatic TS (ANSI &amp; ANSI Export Specs)</b>	A
	0270094	Ref.	<b>33/16LL x 16.1 Foam-Filled (All Specs)</b>	A
	1001113366	Ref.	<b>33x6x11 Solidflex (460SJ Only) (ANSI Spec Only)</b>	A
	0270074	2	12 x 16.5 Pneumatic Right Side	A
	0270075	2	12 x 16.5 Pneumatic Left Side	A
	0272923	4	12 x 16.5 Pneumatic (LT)	A
	0272336	2	12 x 16.5 Pneumatic Right Side (TS)	A
	0272337	2	12 x 16.5 Pneumatic Left Side (TS)	A
	0270651	2	12 x 16.5 Pneumatic Right Side (See Note)	A
	0270652	2	12 x 16.5 Pneumatic Left Side (See Note)	A
	0270076	2	12 x 16.5 Foam-Filled Right Side (See Note)	A
	0270077	2	12 x 16.5 Foam-Filled Left Side (See Note)	A
	0270654	2	12 x 16.5 Foam-Filled Right Side (Non-Marking) (See Note)	A
	0270655	2	12 x 16.5 Foam-Filled Left Side (Non-Marking) (See Note)	A
	0271993	2	14 x 17.5 Pneumatic Right Side	A
	0271994	2	14 x 17.5 Pneumatic Left Side	A
	0272352	2	14 x 17.5 Pneumatic Right Side (TS)	A
	0272353	2	14 x 17.5 Pneumatic Left Side (TS)	A
	0271997	2	14 x 17.5 Foam-Filled Right Side (See Note)	A
	0271996	2	14 x 17.5 Foam-Filled Left Side (See Note)	A
	0270078	4	33/16LL x 16.1 Pneumatic	A
	1001103478	4	33/16LL x 16.1 Pneumatic (TS)	A
	0270079	4	33/16LL x 16.1 Foam-Filled (See Note)	A
	1001113307	2	33x6x11 Solidflex Left Side	A
	1001113308	2	33x6x11 Solidflex Right Side	A
		Ref.	<b>Note: Assemblies may require ballast/foam filling to manufacturer's specifications prior to installing on a machine. Refer to Operation &amp; Safety or Service &amp; Maintenance Manuals. Purchase individual tire and/or rim only if able to foam fill tire &amp; wheel assembly, otherwise, purchase complete assembly.</b>	
101		1	Decal Options (Pneumatic Only):	
	1702740	1	Decal - 90PSI	
	1702738	1	Decal - 45PSI	
	1703067	1	Decal - 40PSI	

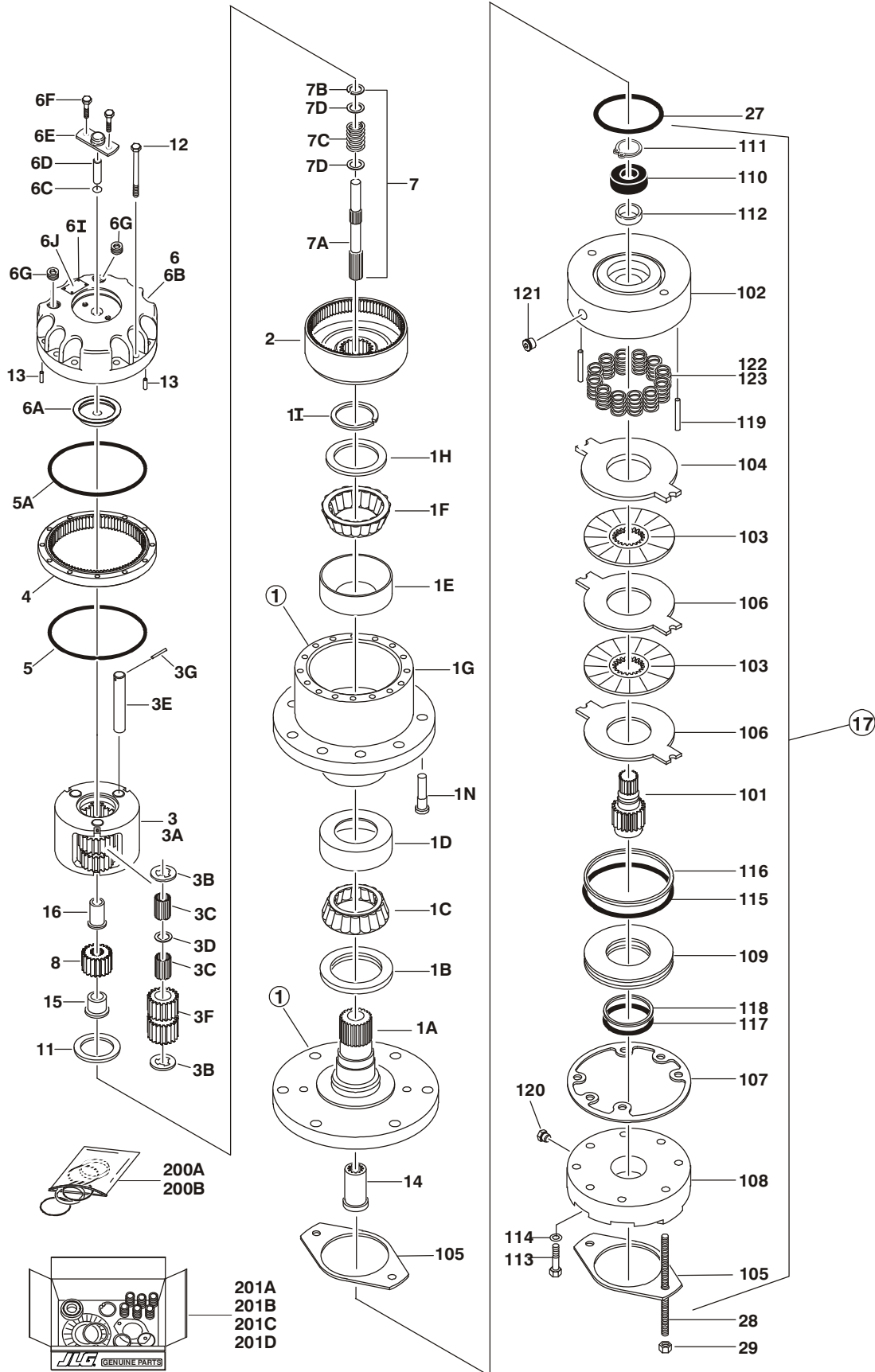
## SECTION 1 FRAME

**FIGURE 1-5. TIRE AND WHEEL DRIVE INSTALLATIONS (CONTINUED)**

ITEM #	PART NUMBER	QTY.	DESCRIPTION	REV.
102	4520216	1	Tire Options: 12 x 16.5 NHS	
	4520240		12 x 16.5 NHS (Non-Marking)	
	4520266		12 x 16.5 LT	
	4520212		14 x 16.1	
	4520259		14 x 17.5 NHS	
	4520212		33/16LL x 16.1	
103	4640113	1	Valve, Air (Pneumatic Only)	
104		1	Rim, Wheel	
	4860214		16.1 x 14 (Use with 33/16LL x 16.1 and 14 x 16.1 Tires)	
	4860213		16.5 x 9.75 (Use with 12 x 16.5 Tires)	
	4860198		17.5 x 10.50 (Use with 14 x 17.5 Tires)	
105	1120552	1	Cap, Valve Stem (Green) (Pneumatic TS Tires Only)	
106	1300019	A/R	Chemical, Tire Sealant (Pneumatic TS Tires Only)	
107	1705364	1	Decal - Tire Sealant (Pneumatic TS Tires Only)	

# SECTION 1 FRAME

FIGURE 1-6. DRIVE HUB AND HUB WITH BRAKE ASSEMBLIES



## SECTION 1 FRAME

**FIGURE 1-6. DRIVE HUB AND HUB WITH BRAKE ASSEMBLIES**

ITEM #	PART NUMBER	QTY.	DESCRIPTION	REV.
		Ref.	<b>DRIVE HUB ASSEMBLIES</b>	
	2780268	Ref.	<b>Drive Hub without Brake Assembly (4WD Front) (Includes Items 1-16)</b>	A
	2780267	Ref.	<b>Drive Hub with Brake Assembly (2WD &amp; 4WD Rear) (Includes Items 1-123)</b>	D
1	See Note	1	Spindle/Housing Assembly ( <b>Note: Not Available - Purchase Complete Drive Hub Assembly</b> )	
1A	7027059	1	Spindle	
1B	7001998	1	Seal	
1C	7010429	1	Cone, Bearing (Includes Item 1D)	
1D	7010429	1	Cup, Bearing (Includes Item 1C)	
1E	7000257	1	Cup, Bearing	
1F	7000258	1	Cone, Bearing	
1G	7007601	1	Housing/Ring Gear	
1H	7000232	1	Thrustwasher	
1I	7000229	1	Ring, Retaining	
1J	Not Used			
1K	Not Used			
1L	Not Used			
1M	Not Used			
1N	7007640	9	Stud, Wheel	
2	7000246	1	Gear, Internal	
3	7024712	1	Carrier Assembly (Purchase p/n 7024712 for items 3A-3G)	
3A	Use 7024712	1	Carrier (Not Available for Purchase)	
3B	Use 7024712	6	Ring, Retaining	
3C	Use 7024712	A/R	Bearing, Needle	
3D	Use 7024712	3	Thrustwasher	
3E	Use 7024712	3	Shaft, Planet	
3F	Use 7024712	3	Gear, Planet	
3G	Use 7024712	3	Rollpin	
4	7000248	1	Ring Gear	
5	7000230	1	O-Ring	
5A	7017070	1	O-Ring	
6	Use 70001349	1	Cover Assembly (was p/n 7017090) (Purchase p/n 70001349 for items 6A-6J)	
6A	Use 70001349	1	Spacer, Thrust (was p/n 7017097)	
6B	Use 70001349	1	Plate, Cover (was p/n 7017091)	
6C	Use 70001349	1	O-Ring (was p/n 7017095)	
6D	Use 70001349	1	Rod, Disconnect (was p/n 7017092)	
6E	Use 70001349	1	Cap, Disengage (was p/n 7017093)	
6F	0641404	2	Bolt 1/2in-20NC x 1/2in	
6G	See Note	1	Plug, Pipe (was p/n 7017094) ( <b>Note: Not Available for Purchase</b> )	
6H	Not Used			
6I	See Note	4	Rivet ( <b>Note: Not Available for Purchase</b> )	
6J	See Note	1	Plate, ID ( <b>Note: Not Available for Purchase</b> )	
7		1	Input Shaft Assembly	
7A	7024714	1	Shaft	
7B	7000261	1	Ring, Retaining	

# SECTION 1 FRAME

**FIGURE 1-6. DRIVE HUB AND HUB WITH BRAKE ASSEMBLIES (CONTINUED)**

ITEM #	PART NUMBER	QTY.	DESCRIPTION	REV.
7C	7000262	1	Spring	
7D	7000263	2	Spacer, Thrust	
8	7024713	1	Gear, Sun	
9 to 10	Not Used			
11	7000253	1	Thrustwasher	
12	7017067	12	Bolt	
13	7017080	4	Pin, Dowell	
14	7000206	1	Coupling	
15	7024715	1	Spacer, Input	
16	7024716	1	Spacer, Input	
17	7024182	1	Brake Assembly (See Items 101-123 for Breakdown)	
18 to 26	Not Used			
27	7024705	1	O-Ring	
28	7024717	2	Rod, Threaded	
29	7024718	2	Nut 1/2in-13NC	
	7024182	Ref.	<b>BRAKE ASSEMBLY</b>	
101	7024189	1	Shaft	
102	Use 7024182	1	Housing ( <b>Note: Not Available - Purchase Complete Brake Assembly</b> )	
103	Use 7024193	2	Plate, Friction	
104	Use 7024193	1	Plate, Pressure	
105	7000731	2	Gasket	
106	Use 7024193	2	Plate, Outer	
107	See Note	1	Gasket ( <b>Note: Use Item 200A, 201C or 201D</b> )	
108	7024191	1	Cylinder	
109	7024192	1	Piston	
110	Use 7024197	1	Bearing, Ball	
111	Use 7024197	1	Ring, Retaining	
112	Use 7024197	1	Seal, Shaft	
113	See Note	6	Capscrew ( <b>Note: Not Available - Purchase Locally</b> )	
114	See Note	6	Lockwasher ( <b>Note: Not Available - Purchase Locally</b> )	
115	Use 7024194	1	O-Ring	
116	Use 7024194	1	Ring, Back-up	
117	Use 7024194	1	O-Ring	
118	Use 7024194	1	Ring, Back-up	
119	7024190	2	Pin, Dowel	
120	See Note	1	Plug ( <b>Note: Not Available - Purchase Locally</b> )	
121	See Note	2	Plug ( <b>Note: Not Available - Purchase Locally</b> )	
122	Use 7024196	10	Spring Kit (Natural)	
123	Use 7024196	2	Spring Kit (Blue)	
200		A/R	Seal Kit Options:	
200A	See Note	1	Hub Seal Kit ( <b>Note: Not Available - Purchase Individual Components</b> )	
200B	7024194	1	Brake Seal Kit (Includes Items 105, 107 & 115-118)	

## SECTION 1 FRAME

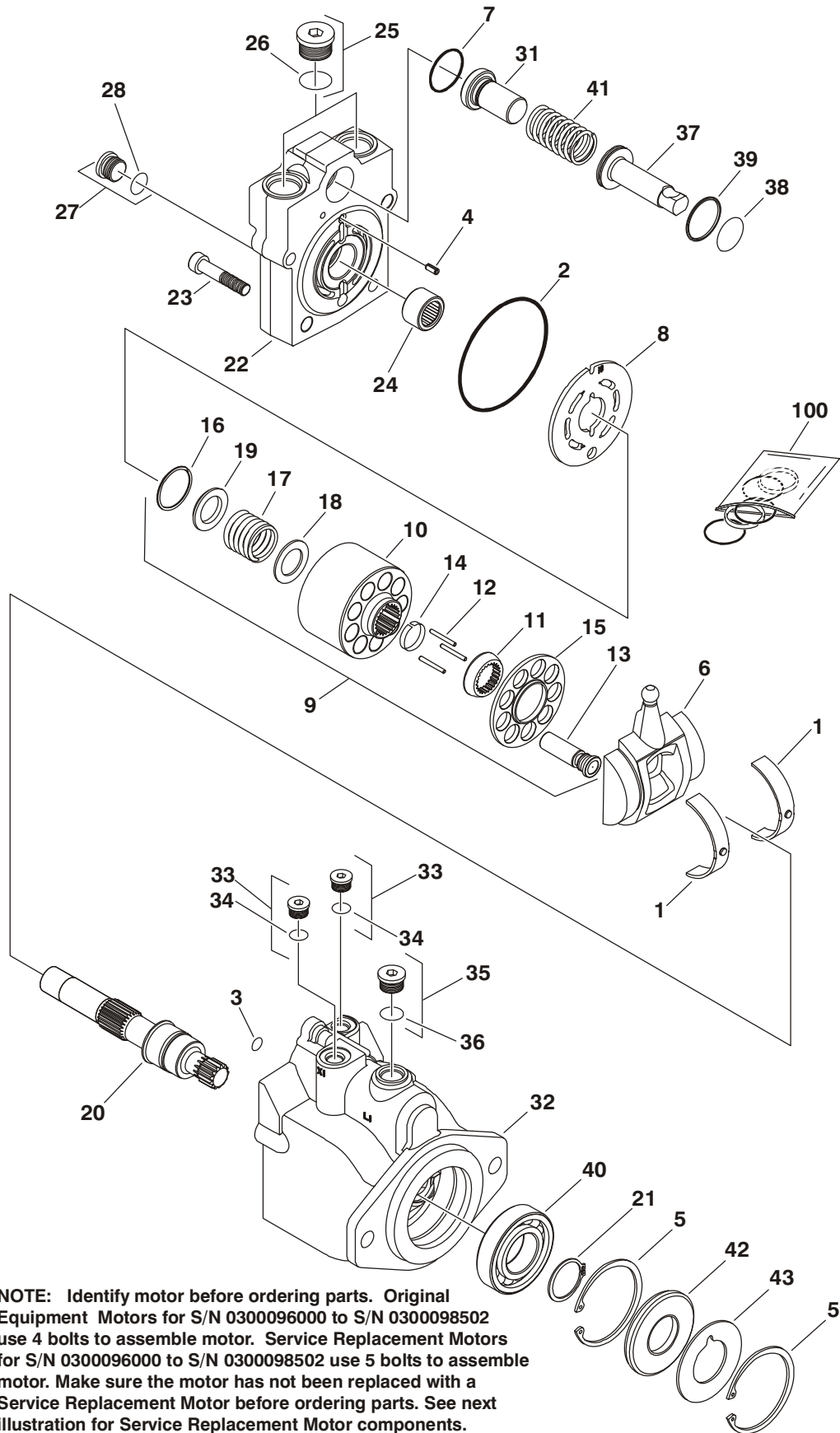
**FIGURE 1-6. DRIVE HUB AND HUB WITH BRAKE ASSEMBLIES (CONTINUED)**

ITEM #	PART NUMBER	QTY.	DESCRIPTION	REV.
201		A/R	Repair Kit Options:	
201A	Use 7024196	1	Spring Kit - 7024182 Brake (Includes 12 Natural Colored Springs) (was p/n 7024195) <b>Note: Spring Kit no Longer Available, Purchase Kit p/n 7024196.</b>	
201B	7024196	1	Brake Spring Kit (Includes 12 Natural & 2 Blue Colored Springs)	
201C	7024193	1	Brake Friction Disc Kit (Includes Items 103, 104, 106 & 107)	
201D	7024197	1	Brake Bearing Kit (Includes Items 107 & 110-112)	



# SECTION 1 FRAME

FIGURE 1-7. DRIVE MOTOR ASSEMBLY (S/N 0300096000 TO S/N 0300098502 - 4 BOLT)



**NOTE:** Identify motor before ordering parts. Original Equipment Motors for S/N 0300096000 to S/N 0300098502 use 4 bolts to assemble motor. Service Replacement Motors for S/N 0300096000 to S/N 0300098502 use 5 bolts to assemble motor. Make sure the motor has not been replaced with a Service Replacement Motor before ordering parts. See next illustration for Service Replacement Motor components.

## SECTION 1 FRAME

**FIGURE 1-7. DRIVE MOTOR ASSEMBLY (S/N 0300096000 TO S/N 0300098502 - 4 BOLT)**

ITEM #	PART NUMBER	QTY.	DESCRIPTION	REV.
		Ref.	<b>DRIVE MOTOR ASSEMBLY</b>	
	3160298	Ref.	<b>2WD Rear</b>	C
	3160266	Ref.	<b>4WD Front &amp; Rear</b>	D
		Ref.	<b>NOTE: Identify motor before ordering parts. Original Equipment Motors for S/N 0300096000 to S/N 0300098502 use 4 bolts to assemble motor. Service Replacement Motors for S/N 0300096000 to S/N 0300098502 use 5 bolts to assemble motor. Make sure the motor has not been replaced with a Service Replacement Motor before ordering parts. See next illustration for Service Replacement Motor components.</b>	
1	7022302	2	Bearing, Journal	
2	Use 7022328	1	O-Ring	
3	Use 7022328	1	O-Ring	
4	7007446	1	Pin	
5	7007438	2	Ring, Retaining	
6	7022305	1	Swashplate	
7	Use 7022328	1	O-Ring	
8	7023908	1	Plate, Valve	
9	7023907	1	Cylinder Block Assembly (Includes Items 10-19)	
10	Use 7023907	1	Block, Cylinder ( <b>Note: Not Available - Purchase Complete Cylinder Block Assembly</b> )	
11	7021277	1	Guide, Slipper Retainer	
12	7021275	3	Pin, Slipper Hold Down	
13	Use 7023907	9	Piston Assembly ( <b>Note: Not Available - Purchase Complete Cylinder Block Assembly</b> )	
14	7021276	1	Retainer, Hold Down Pin	
15	7022310	1	Retainer, Slipper	
16	7022311	1	Ring, Retaining	
17	7022312	1	Spring	
18	7024868	1	Washer	
19	7022314	1	Retainer, Spring	
20	7023910	1	Shaft	
21	7007439	1	Ring, Retaining	
22		1	Cap, End - Axial Options: 3160266 Motors 3160298 Motor	
23	7022368	4	Screw	
24	7021249	1	Bearing, Needle	
25	7022321	2	Plug (Includes Item 26)	
26	Use 7022328	2	O-Ring	
27	7022318	1	Plug (Includes Item 28)	
28	Use 7022328	1	O-Ring	
29	7027419	1	Plug (Includes Item 30) (Not Shown):	
30	Use 7022328	1	O-Ring (Not Shown)	
31		1	Seat, Spring Options: 3160266 Motors 3160298 Motor	
32	7022370	1	Housing	
33	7022318	2	Plug (Items Item 34)	

# SECTION 1 FRAME

**FIGURE 1-7. DRIVE MOTOR ASSEMBLY (S/N 0300096000 TO S/N 0300098502 - 4 BOLT)**

ITEM #	PART NUMBER	QTY.	DESCRIPTION	REV.
34	Use 7022328	2	O-Ring	
35	7022321	1	Plug (Items Item 36)	
36	Use 7022328	1	O-Ring	
37		1	Piston, Servo Options:	
	7022326		3160266 Motors	
	7024854		3160298 Motor	
38	Use 7022328	1	O-Ring	
39	Use 7022328	1	Ring, Seal	
40	7007437	1	Bearing	
41	7022326	1	Spring	
42	Use 7022328	1	Seal, Lip	
43	7022371	1	Washer, Support	
			-----	
100	7022328	1	Seal Kit (Includes Items 2,3,7,26,28,30,34,36,38,39 and 42)	

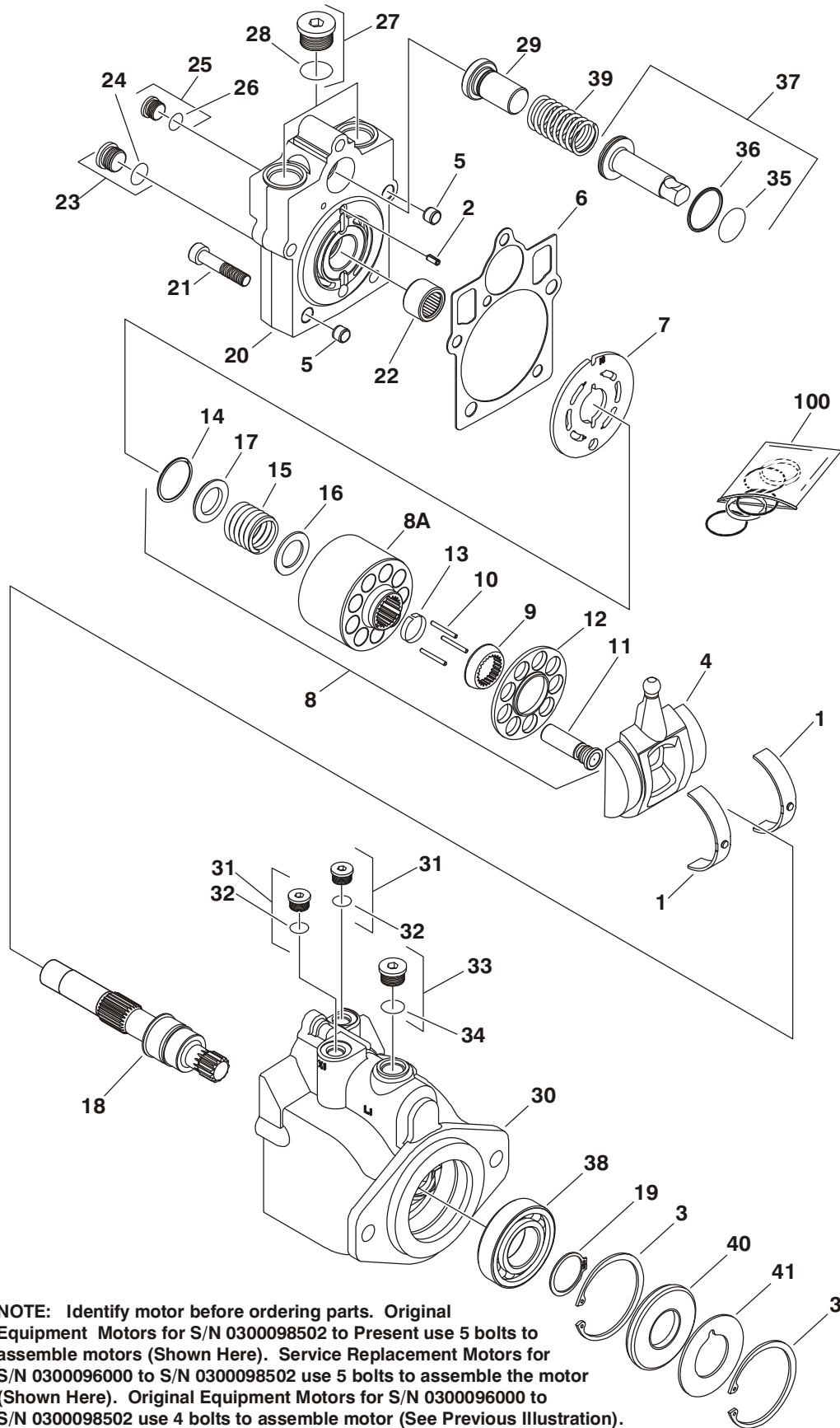
# SECTION 1 FRAME

**FIGURE 1-7. DRIVE MOTOR ASSEMBLY (S/N 0300096000 TO S/N 0300098502 - 4 BOLT)**

ITEM #	PART NUMBER	QTY.	DESCRIPTION	REV.

# SECTION 1 FRAME

FIGURE 1-8. DRIVE MOTOR ASSEMBLY (S/N 0300098502 TO PRESENT - 5 BOLT)



## SECTION 1 FRAME

**FIGURE 1-8. DRIVE MOTOR ASSEMBLY (S/N 0300098502 TO PRESENT - 5 BOLT)**

ITEM #	PART NUMBER	QTY.	DESCRIPTION	REV.
		Ref.	<b>DRIVE MOTOR ASSEMBLIES:</b>	
	3160351	Ref.	<b>2WD Original Equipment for S/N 0300098502 to Present</b>	B
	3160351	Ref.	<b>2WD Service Replacement for S/N 0300096000 to S/N 0300098502</b>	B
	3160348	Ref.	<b>4WD Original Equipment for S/N 0300098502 to Present</b>	B
	3160348	Ref.	<b>4WD Service Replacement for S/N 0300096000 to S/N 0300098502</b>	B
		Ref.	<b>NOTE: Identify motor before ordering parts. Original Equipment Motors for S/N 0300098502 to Present use 5 bolts to assemble motor. Service Replacement Motors for S/N 0300096000 to S/N 0300098502 use 5 bolts to assemble the motor also. Original Equipment Motors for S/N 0300096000 to S/N 0300098502 use 4 bolts to assemble motor. See previous illustration for Original Equipment Motor components.</b>	
1	7022302	2	Bearing, Journal	
2	7007446	1	Pin	
3	7007438	2	Ring, Retaining	
4	7022305	1	Swashplate	
5	See Note	2	<b>Pin (Note: Not Available for Purchase)</b>	
6	Use 7022328	1	Gasket	
7	7023908	1	Plate, Valve	
8	7023907	1	Cylinder Block Kit (Includes Items 8A & 9-17)	
8A	Use 7023907	1	<b>Block, Cylinder (Note: Not Available - Purchase Complete Cylinder Block Assembly)</b>	
9	7021277	1	Guide, Slipper Retainer	
10	7021275	3	Pin, Slipper Hold Down	
11	Use 7023907	9	<b>Piston Assembly (Note: Not Available - Purchase Complete Cylinder Block Assembly)</b>	
12	7022310	1	Retainer, Slipper	
13	7021276	1	Retainer, Hold Down Pin	
14	7022311	1	Ring, Retaining	
15	7022312	1	Spring	
16	7024868	1	Washer	
17	7022314	1	Retainer, Spring	
18	7023910	1	Shaft	
19	7007439	1	Ring, Retaining	
20	70000797	1	Cap, End - Axial	
21	7022368	5	Screw	
22	7021249	1	Bearing, Needle	
23	2220886	1	Plug (Includes Item 24)	
24	Use 7022328	1	O-Ring	
25	2220883	1	Plug (Includes Item 26)	
26	Use 7022328	1	O-Ring	
27		2	Plug (Includes Item 28) Options:	
	7027419		2WD	
	2220888		4WD	
28	Use I7022328	2	O-Ring	

# SECTION 1 FRAME

**FIGURE 1-8. DRIVE MOTOR ASSEMBLY (S/N 0300098502 TO PRESENT - 5 BOLT)**

ITEM #	PART NUMBER	QTY.	DESCRIPTION	REV.
29	7024853 7022372	1	Seat, Spring Options: 2WD 4WD	
30	See Note	1	Housing ( <b>Note: Not Available - Purchase Complete Drive Motor Assembly</b> )	
31	2220883	2	Plug (Items Item 32)	
32	Use 7022328	2	O-Ring	
33	2220886	1	Plug (Items Item 34)	
34	Use 7022328	1	O-Ring	
35	Use 7022328	1	O-Ring	
36	Use 7022328	1	Ring, Seal	
37	7024854	1	Piston, Servo (Includes Items 35 & 36)	
38	7007437	1	Bearing	
39	7022326	1	Spring	
40	Use I7022328	1	Seal, Lip	
41	7022371	1	Washer, Support	
100	7022328	1	----- Seal Kit (Includes Items 6,24,26,28,32,34,35,36 and 40)	

**SECTION 1 FRAME**

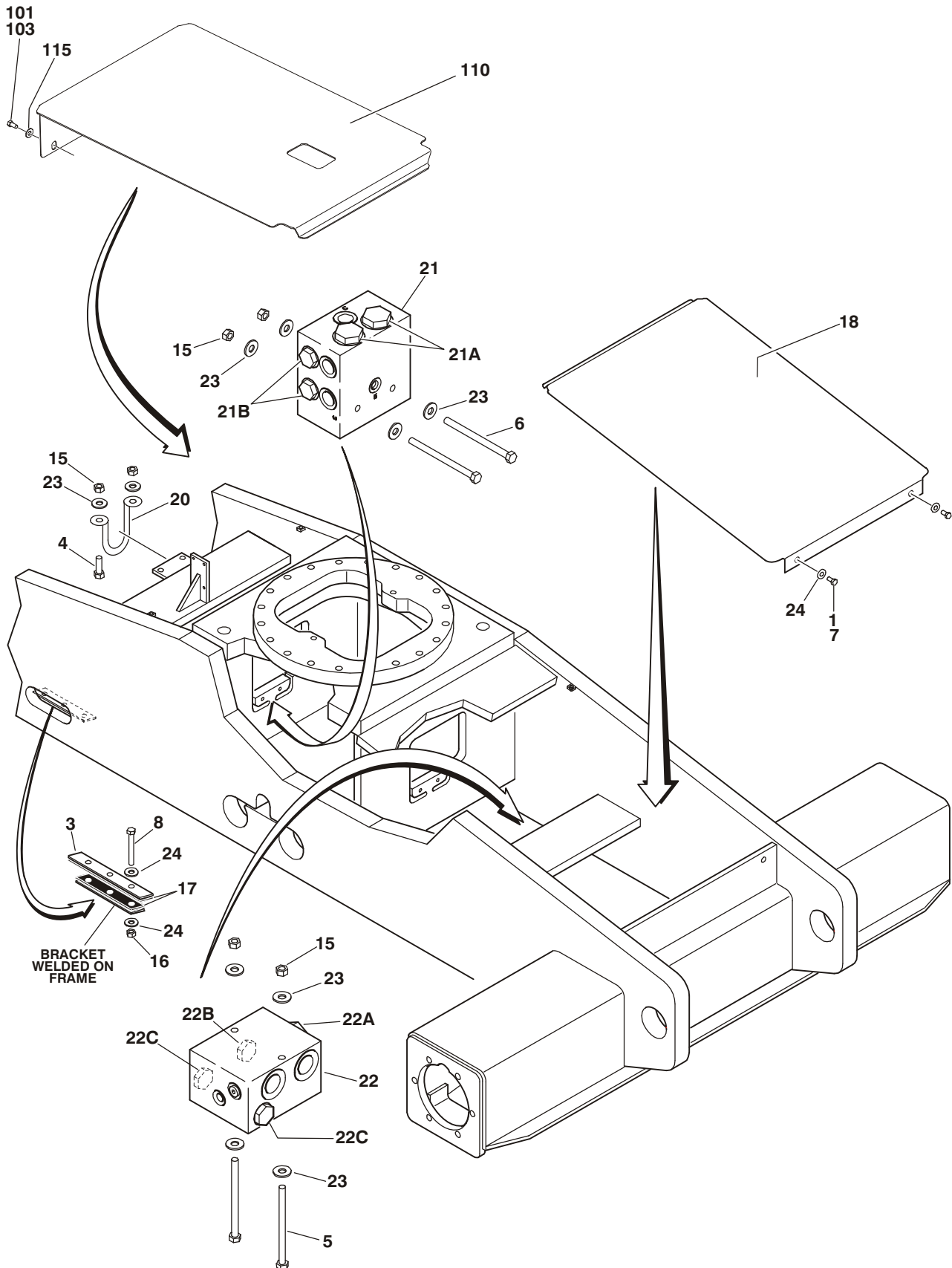
**FIGURE 1-8. DRIVE MOTOR ASSEMBLY (S/N 0300098502 TO PRESENT - 5 BOLT)**

ITEM #	PART NUMBER	QTY.	DESCRIPTION	REV.



# SECTION 1 FRAME

FIGURE 1-9. FRAME VALVES AND SHIELDS INSTALLATION (S/N 0300096000 TO S/N 0300115396)



## SECTION 1 FRAME

**FIGURE 1-9. FRAME VALVES AND SHIELDS INSTALLATION (S/N 0300096000 TO S/N 0300115396)**

ITEM #	PART NUMBER	QTY.	DESCRIPTION	REV.
		Ref.	<b>VALVES AND REAR SHIELD INSTALLATION</b>	
	0272926	Ref.	<b>2WD</b>	C
	0272925	Ref.	<b>4WD</b>	E
		Ref.	<b>Note: See Figures 1-1 to 1-3 for Oscillating Axle Lockout Valve.</b>	
1	0100011	A/R	Locking, Compound	
2	Not Used			
3	0362936	2	Bar, Hose Clamp (4WD Only)	
4	0641508	2	Bolt 5/16in-18NC x 1/2in (4WD Only)	
5	0641530	2	Bolt 5/16in-18NC x 3-3/4in	
6	0641538	2	Bolt 5/16in-18NC x 4-3/4in (4WD Only)	
7	0641607	6	Bolt 3/8in-16NC x 7/8in	
8	0641618	8	Bolt 3/8in-16NC x 2-1/4in (4WD Only)	
9 to 14	Not Used			
15	3311505	A/R	Locknut 5/16in-18NC	
16	3311605	6	Nut 3/8in-16NC (4WD Only)	
17	3340898	4	Pad, Rubber (4WD Only)	
18	3574210	1	Shield, Frame - Rear Top	
19	Not Used			
20	3841340	1	Loop, Hose (4WD Only)	
21		A/R	Flow Divider Valve Assembly Options:	
	Not Required	0	2WD Machines	
	4641208	1	4WD Machines	A
21A	7023934	2	Valve, Cartridge (Flow Divider)	
	7021655	2	Seal Kit - 7023934 Cartridge	
21B	7023935	4	Valve, Cartridge (Check)	
	7023936		Seal Kit - 7023935 Cartridge	
22	4641207	1	Flow Divider Valve Assembly	A
22A	7023917	1	Valve, Cartridge (Flow Divider)	
	7021625	1	Seal Kit - 7023917Cartridges	
22B	7022397	1	Valve, Cartridge (Check)	
	7022399	1	Seal Kit - 7022397Cartridges	
22C	7010542	2	Valve, Cartridge (Load Shuttle)	
	7010543	2	Seal Kit - 7010542 Cartridge	
23	4751500	A/R	Flatwasher 5/16in Regular	
24	4751600	A/R	Flatwasher 3/8in Regular	

# SECTION 1 FRAME

**FIGURE 1-9. FRAME VALVES AND SHIELDS INSTALLATION (S/N 0300096000 TO S/N 0300115396) (CONTINUED)**

ITEM #	PART NUMBER	QTY.	DESCRIPTION	REV.
		Ref.	<b>FRONT SHIELD INSTALLATION</b>	
		Ref.	<b>With Fixed Axle</b>	
	0272902	Ref.	<b>2WD without Tow Package</b>	B
	0272906	Ref.	<b>2WD with Tow Package</b>	B
	0272903	Ref.	<b>4WD</b>	B
		Ref.	<b>With Oscillating Axle</b>	
	0272900	Ref.	<b>2WD without Tow Package (except CE Spec)</b>	B
	0272904	Ref.	<b>2WD without Tow Package (CE Spec)</b>	B
	0273473	Ref.	<b>2WD with Tow Package</b>	B
	0272901	Ref.	<b>4WD (except CE Spec)</b>	B
	0272905	Ref.	<b>4WD (CE Spec)</b>	B
101	0100011	A/R	Locking, Compound	
102	Not Used			
103	0641607	2	Bolt 3/8in-16NC x 7/8in	
104 to 109	Not Used			
110	3574254	1	Shield, Frame	
111 to 114	Not Used			
115	4751600	2	Flatwasher 3/8in Regular	

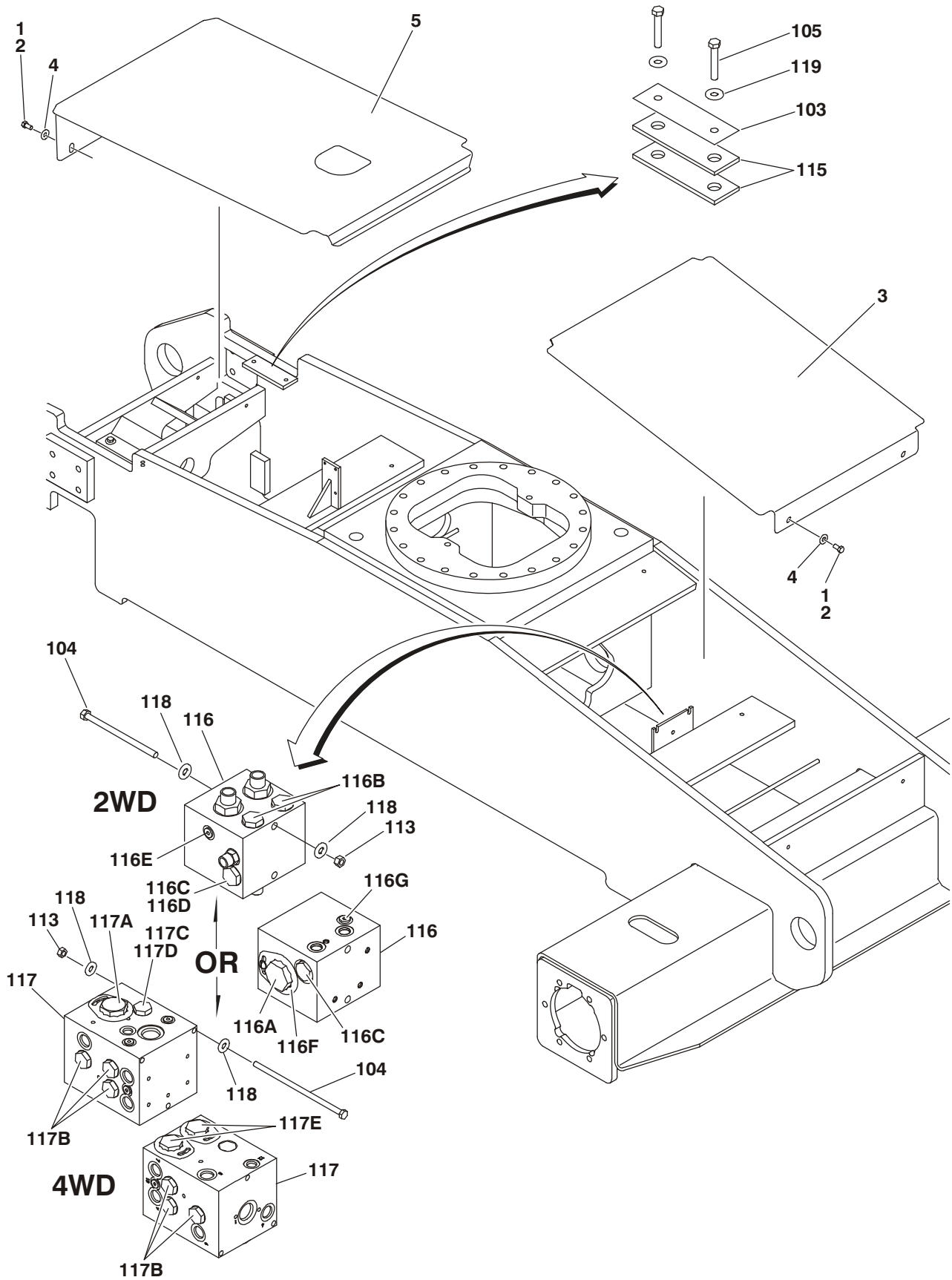
**SECTION 1 FRAME**

**FIGURE 1-9. FRAME VALVES AND SHIELDS INSTALLATION (S/N 0300096000 TO S/N 0300115396) (CONTINUED)**

ITEM #	PART NUMBER	QTY.	DESCRIPTION	REV.

# SECTION 1 FRAME

FIGURE 1-10. FRAME VALVES AND SHIELDS INSTALLATION (S/N 0300115396 TO PRESENT)



## SECTION 1 FRAME

**FIGURE 1-10. FRAME VALVES AND SHIELDS INSTALLATION (S/N 0300115396 TO PRESENT)**

ITEM #	PART NUMBER	QTY.	DESCRIPTION	REV.
		Ref.	<b>FRAME SHIELDS INSTALLATION</b>	
		Ref.	<b>Machines without Tow Package</b>	
	1001093856	Ref.	<b>S/N 0300115396 to S/N 0300161285</b>	C
	1001142456	Ref.	<b>S/N 0300161285 to Present</b>	A
		Ref.	<b>Machines with Tow Package</b>	
	1001093890	Ref.	<b>S/N 0300115396 to S/N 0300161285</b>	C
	1001142964	Ref.	<b>S/N 0300161285 to Present</b>	A
1	0100011	A/R	Locking, Compound	
2	0641606	4	Bolt 3/8in-16NC x 3/4in	
3		1	Shield, Rear Frame Options:	
	3574210		S/N 0300096000 to S/N 0300161285	
	1001142455		S/N 0300161285 to Present	
4	4751600	4	Flatwasher 3/8in Regular	
5		1	Shield, Front Frame Options:	
			<b>Machines without Tow Package Options:</b>	
	1001093861		S/N 0300096000 to S/N 0300143462	
	1001125957		S/N 0300143462 to S/N 0300161285	
	1001142454		S/N 0300161285 to Present	
			<b>Machines with Tow Package Options:</b>	
	1001093889		S/N 0300096000 to S/N 0300143462	
	1001125958		S/N 0300143462 to S/N 0300161285	
	1001142963		S/N 0300161285 to Present	
		Ref.	<b>FRAME VALVES INSTALLATION</b>	
	1001093749	Ref.	<b>2WD</b>	D
	1001093747	Ref.	<b>4WD</b>	B
		Ref.	<b>Note: See Figures 1-1 to 1-3 for Oscillating Axle Lockout Valve used on S/N 0300115396 to S/N 0300140365.</b>	
101 to 102	Not Used			
103	0363012	2	Bar, Hose Clamping (4WD Only)	
104		A/R	Bolt 5/16in-18NC Options:	
	0641542	2	2WD	
	0641560	3	4WD	
105	0641618	4	Bolt 3/8in-16NC x 2-1/4in (4WD Only)	
106 to 112	Not Used			
113	3311505	A/R	Locknut 5/16in-18NC	
114	Not Used			
115	3340911	4	Pad, Hose Clamping (4WD Only)	
116	Use 1001099390	1	Valve, Flow Divider (2WD) (was p/n 4641509)	
116A	7023917	1	Valve, Cartridge	
	7021625	1	Seal Kit - 7023917 Cartridge	
116B	7022397	2	Valve, Cartridge	
	7022399	A/R	Seal Kit - 7022397 Cartridge	
116C	7021639	2	Valve, Cartridge (Valve 4641509 Only)	
	2900756	A/R	Seal Kit - 7021639 Cartridge	
	70002390	2	Valve, Cartridge (Valve 1001099390 Only)	
	7022399	A/R	Seal Kit - 70002390 Cartridge	

# SECTION 1 FRAME

**FIGURE 1-10. FRAME VALVES AND SHIELDS INSTALLATION (S/N 0300115396 TO PRESENT) (CONTINUED)**

ITEM #	PART NUMBER	QTY.	DESCRIPTION	REV.
116D	7024881	1	Piston	
116E	7024844	1	Plug	
116F	70000781	1	Lockdown Kit	
116G	7017406	1	Plug (Valve 1001099390 Only)	
117	4641510	1	Valve, Flow Divider (4WD)	
117A	7023917	1	Valve, Cartridge	
	7021625	1	Seal Kit - 7023917 Cartridge	
117B	7022397	6	Valve, Cartridge	
	7022399	A/R	Seal Kit - 7022399 Cartridge	
117C	7021639	2	Valve, Cartridge	
	2900756	A/R	Seal Kit - 7021639 Cartridge	
117D	7024881	1	Piston	
117E	7023934	2	Valve, Cartridge	
	7021655	A/R	Seal Kit - 7023934 Cartridge	
118	4751500	A/R	Flatwasher 5/16in Regular	
119	4751600	4	Flatwasher 3/8in Regular (4WD Only)	

**SECTION 1 FRAME**

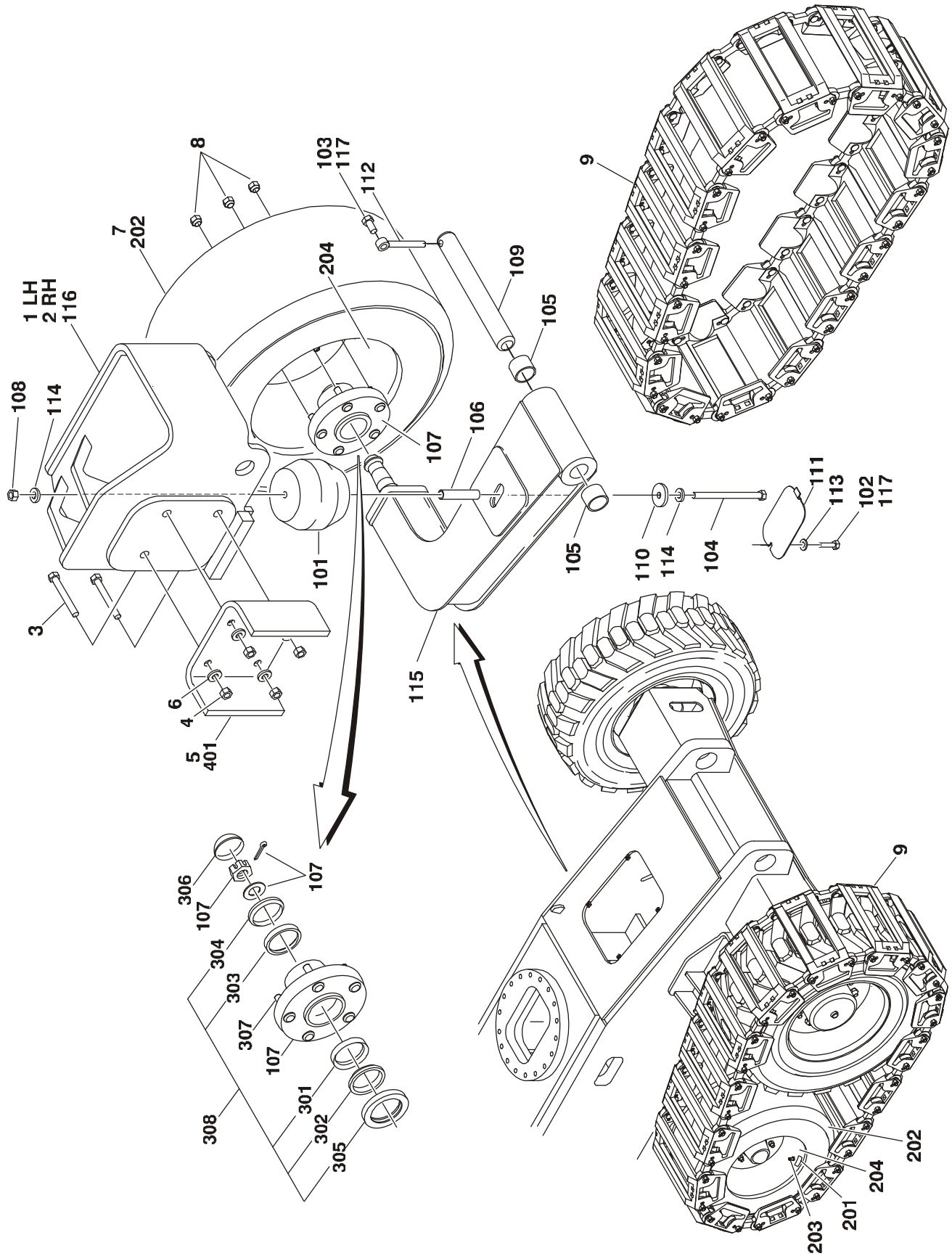
**FIGURE 1-10. FRAME VALVES AND SHIELDS INSTALLATION (S/N 0300115396 TO PRESENT) (CONTINUED)**

ITEM #	PART NUMBER	QTY.	DESCRIPTION	REV.



# SECTION 1 FRAME

## FIGURE 1-11. SEMI-TRACK INSTALLATION



# SECTION 1 FRAME

## FIGURE 1-11. SEMI-TRACK INSTALLATION

ITEM #	PART NUMBER	QTY.	DESCRIPTION	REV.
		Ref.	<b>SEMI-TRACK INSTALLATIONS</b>	
	0270193	Ref.	<b>IDLER INSTALLATION</b>	3
1	0271212	1	Mount, Idler (Left) (See Items 101-117 for Breakdown)	
2	0271211	1	Mount, Idler (Right) (See Items 101-117 for Breakdown)	
3	0681822	8	Bolt 1/2in-13NC x 2-3/4in (Grade 8)	
4	3271805	8	Locknut 1/2in-13NC (Grade 8)	
5	3572032	2	Plate, Spacer	
6	4891800	8	Flatwasher 1/2in Hardened	
		Ref.	<b>TRACK INSTALLATIONS</b>	
	0271218	Ref.	<b>12in Steel Track</b>	1
	0270192	Ref.	<b>14in Steel Track</b>	3
7		2	Wheel Assembly Options (See Items 201-204 for Breakdown):	
	0270029		12in Track	
	0270030		14in Track	
8	3300255	10	Nut	
9		1	Track Options:	
	0271213		12in Steel Track	
	0271215		14in Steel Track	
		Ref.	<b>IDLER MOUNT ASSEMBLIES</b>	
	0271212	Ref.	<b>Left Side</b>	A
	0271211	Ref.	<b>Right Side</b>	A
		Ref.	<b>Note: Qty shown is for one side.</b>	
101	0020006	1	Absorber, Rubber Spring	
102	0641408	1	Bolt 1/4in-20NC x 1in	
103	0641808	1	Bolt 1/2in-13NC x 1in	
104		1	Bolt Options:	
	0681856		Bolt 1/2in-13NC x 7in (Grade 8)	
	0681872		Bolt 1/2in-13NC x 9in (Grade 8)	
105	0961948	2	Bearing	
106	0962293	1	Bushing, Track Spring	
107	2780221	1	Hub Assembly (See Items 301-307 for Breakdown)	
108	3271805	1	Locknut 1/2in-13NC (Grade 8)	
109	3422786	1	Pin	
110	3571818	1	Plate	
111	3571833	1	Cover, Bottom	
112	3841203	1	Keeper, Pin	
113	4711400	1	Flatwasher 1/4in Thin	
114	4891800	2	Flatwasher 1/2in Hardened	
115		1	Arm Weldment Options:	
	4846113		Left Side	
	4846112		Right Side	

# SECTION 1 FRAME

## FIGURE 1-11. SEMI-TRACK INSTALLATION (CONTINUED)

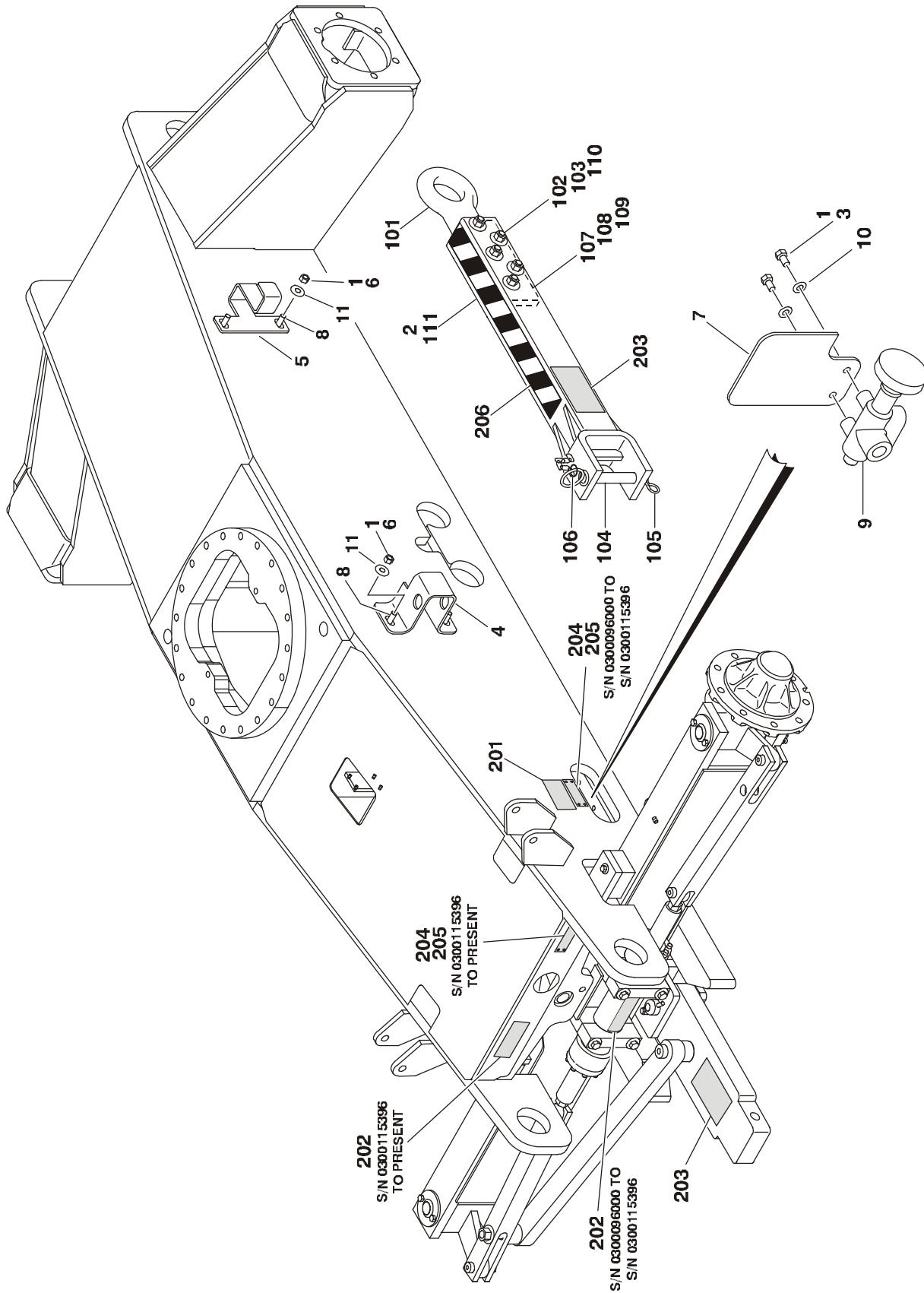
ITEM #	PART NUMBER	QTY.	DESCRIPTION	REV.
116	4846394	1	Bracket Weldment Options: Left Side	
	4846393		Right Side	
117	0100011	A/R	Locking, Compound	
		Ref.	<b>WHEEL ASSEMBLIES</b>	
	0270029	Ref.	<b>12in Track</b>	B
	0270030	Ref.	<b>14in Track</b>	A
		Ref.	<b>Note: Qty shown is for one side.</b>	
201	1704586	1	Decal, Tire Pressure	
202		1	Tire Options:	
	4520224		12in Track	
	4520234		14in Track	
203	4640113	1	Valve, Air	
204		1	Rim, Wheel Options:	
	4860218		12in Track	
	4860215		14in Track	
	2780221	Ref.	<b>HUB ASSEMBLY</b>	—
		Ref.	<b>Note: Qty shown is for one side.</b>	
301	7012519	1	Cup, Inner Bearing	
302	7012520	1	Cone, Inner Bearing	
303	7012521	1	Cup, Outer Bearing	
304	7012522	1	Cone, Outer Bearing	
305	7012523	1	Seal	
306	Use 1001102354	1	Cap, Dust (was p/n 7012524)	
307	7016360	5	Stud, Wheel 1/2in-20NF	
			-----	
308	2900804		Bearing Kit (Includes Qty 1 of Items 301-305)	
	0270193	Ref.	<b>SEMI-TRACK INSTALLATIONS</b>	A
401	3572032	2	Plate, Spacer (Welded to Frame)	
		Ref.	<b>TREAD ACCESSORIES (NOT SHOWN)</b>	
	0270180	Ref.	<b>Soft Puck</b>	C
	0240049	64	Puck, Soft (Mounts on Both Sides of Track Pad) (S/N 0300096000 to S/N 0300100070)	
	0240152	32	Puck, Soft (Mounts Across Center of Track Pad) (S/N 0300100070 to Present)	
	3576939	32	Plate, Puck Mounting (Mounts Across Center of Track Pad) (S/N 0300100070 to Present)	
	0270186	Ref.	<b>Flotation Plate</b>	A
	0240050	64	Plate, Flotation	
	0270187	Ref.	<b>Ice Pick</b>	A
	0240047	32	Plate, Flotation	

**FIGURE 1-11. SEMI-TRACK INSTALLATION (CONTINUED)**

ITEM #	PART NUMBER	QTY.	DESCRIPTION	REV.

# SECTION 1 FRAME

## FIGURE 1-12. TOW PACKAGE INSTALLATION



# SECTION 1 FRAME

## FIGURE 1-12. TOW PACKAGE INSTALLATION

ITEM #	PART NUMBER	QTY.	DESCRIPTION	REV.
		Ref.	<b>TOW BAR INSTALLATION - 2WD</b>	
	0272805	Ref.	<b>S/N 0300096000 to S/N 0300115396</b>	B
	1001093876	Ref.	<b>S/N 0300115396 to Present</b>	C
1	0100011	A/R	Locking, Compound	
2	0363019	1	Tow Bar Assembly	
3	0641504	2	Bolt 5/16in-18NC x 1/2in	
4	0902733	1	Bracket, Storage (Front)	
5	0902734	1	Bracket, Storage (Rear)	
6	3311801	4	Nut 1/2in-13NC	
7		1	Plate, Valve Mounting Options (Welded on Plate):	
	3572506		S/N 0300096000 to S/N 0300115396	
	3539662		S/N 0300115396 to Present	
8	4300048	4	Stud (Welded on Plate)	
9	4640261	1	Steer/Tow Select Valve	
10	4711500	2	Flatwasher 5/16in Thin	
11	4751800	4	Flatwasher 1/2in Regular	
	0363019	Ref.	<b>TOW BAR ASSEMBLY</b>	B
101	0360406	1	Pintle, Draw Eye	
102	0682040	5	Bolt 5/8in-11NC x 5in	
103	3312005	5	Locknut 5/8in-11NC	
104	3420352	1	Pin, Towing	
105	3420372	1	Hairpin	
106	3760170	1	Ring, Split	
107	4070450	2	Shim (.07)	
108	4070560	2	Shim (.88)	
109	4070561	2	Shim (.12)	
110	4752000	10	Flatwasher 5/8in Regular	
111	Use 0363019	1	Tow Bar Weldment	
		Ref.	<b>TOW BAR DECAL INSTALLATION</b>	
	0272828	Ref.	<b>S/N 0300096000 to S/N 0300115396</b>	C
	1001094003	Ref.	<b>S/N 0300115396 to Present</b>	B
201	1703450	1	Decal - Warning (S/N 0300096000 to S/N 0300115396 Only)	
202	1702968	1	Decal - Tow Instructions	
203	1704578	A/R	Decal - Crushing	
204	3250872	1	Nameplate - Steer/Tow Select Valve	
205	3820001	4	Rivet	
206	4420051	56in/1.4m	Tape	

# SECTION 1 FRAME

FIGURE 1-12. TOW PACKAGE INSTALLATION (CONTINUED)

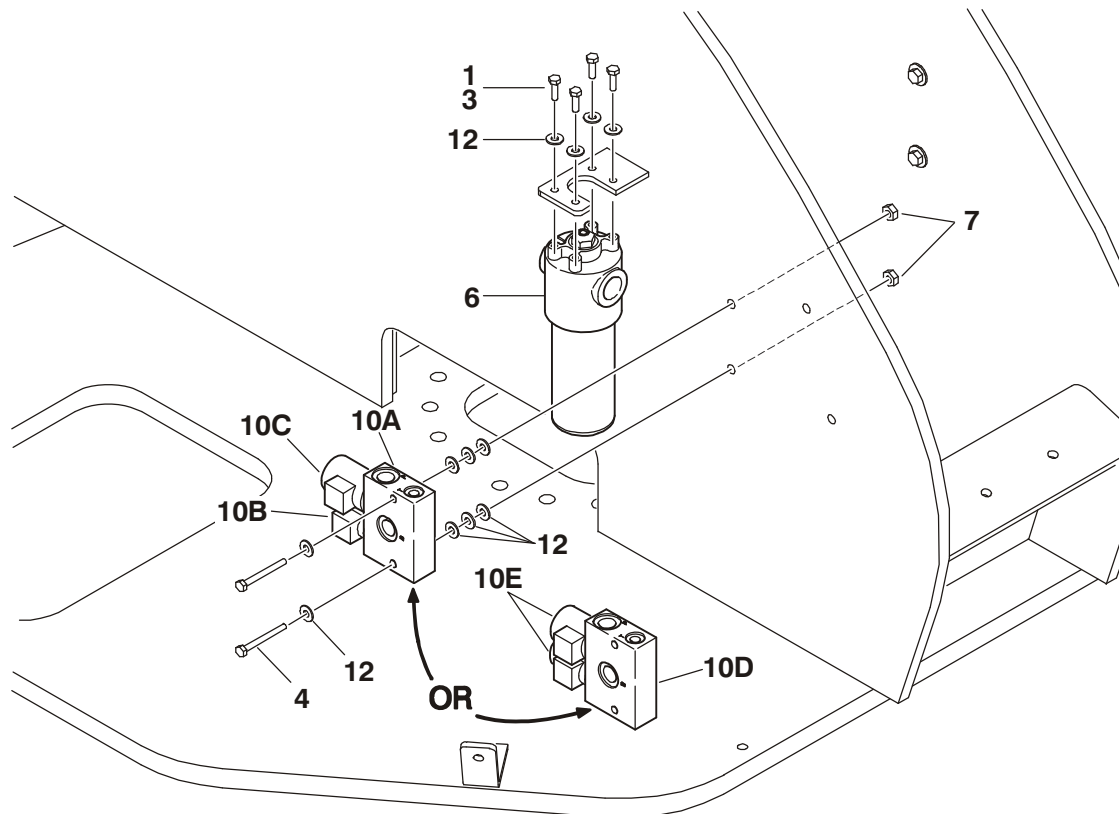
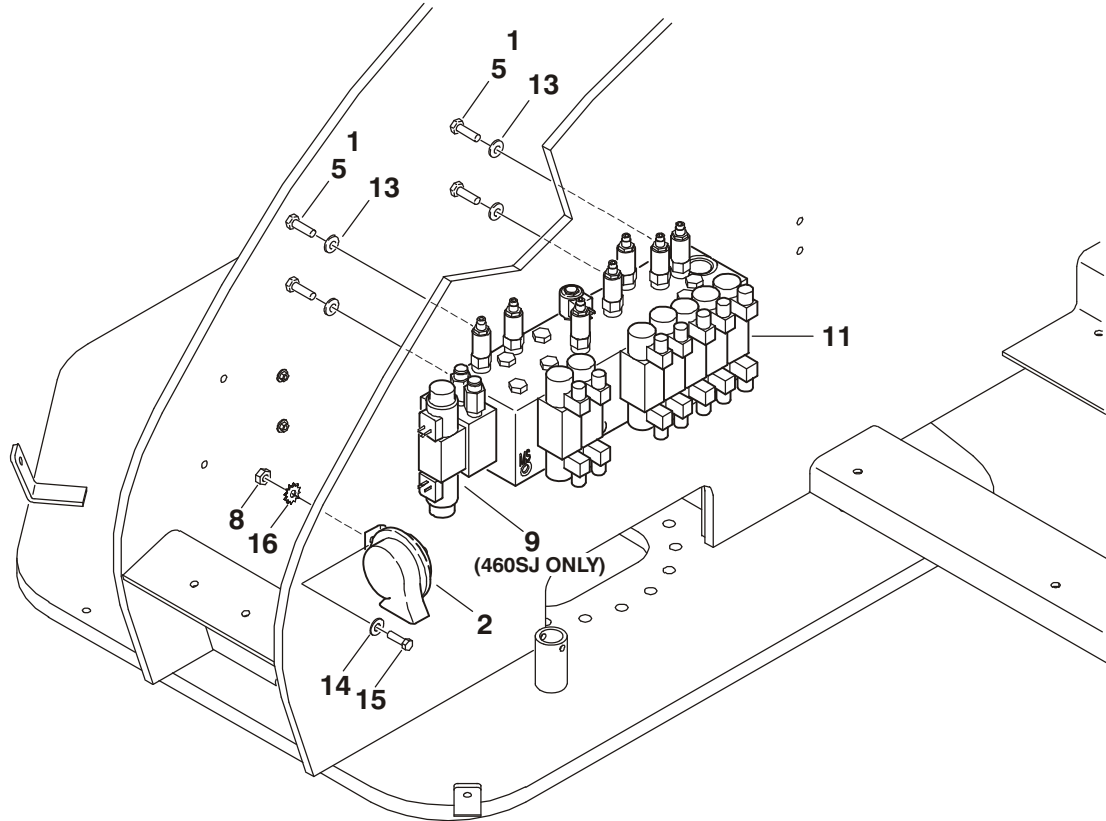
ITEM #	PART NUMBER	QTY.	DESCRIPTION	REV.

# **SECTION 2 TURNTABLE**



# SECTION 2 TURNTABLE

## FIGURE 2-1. VALVES INSTALLATIONS



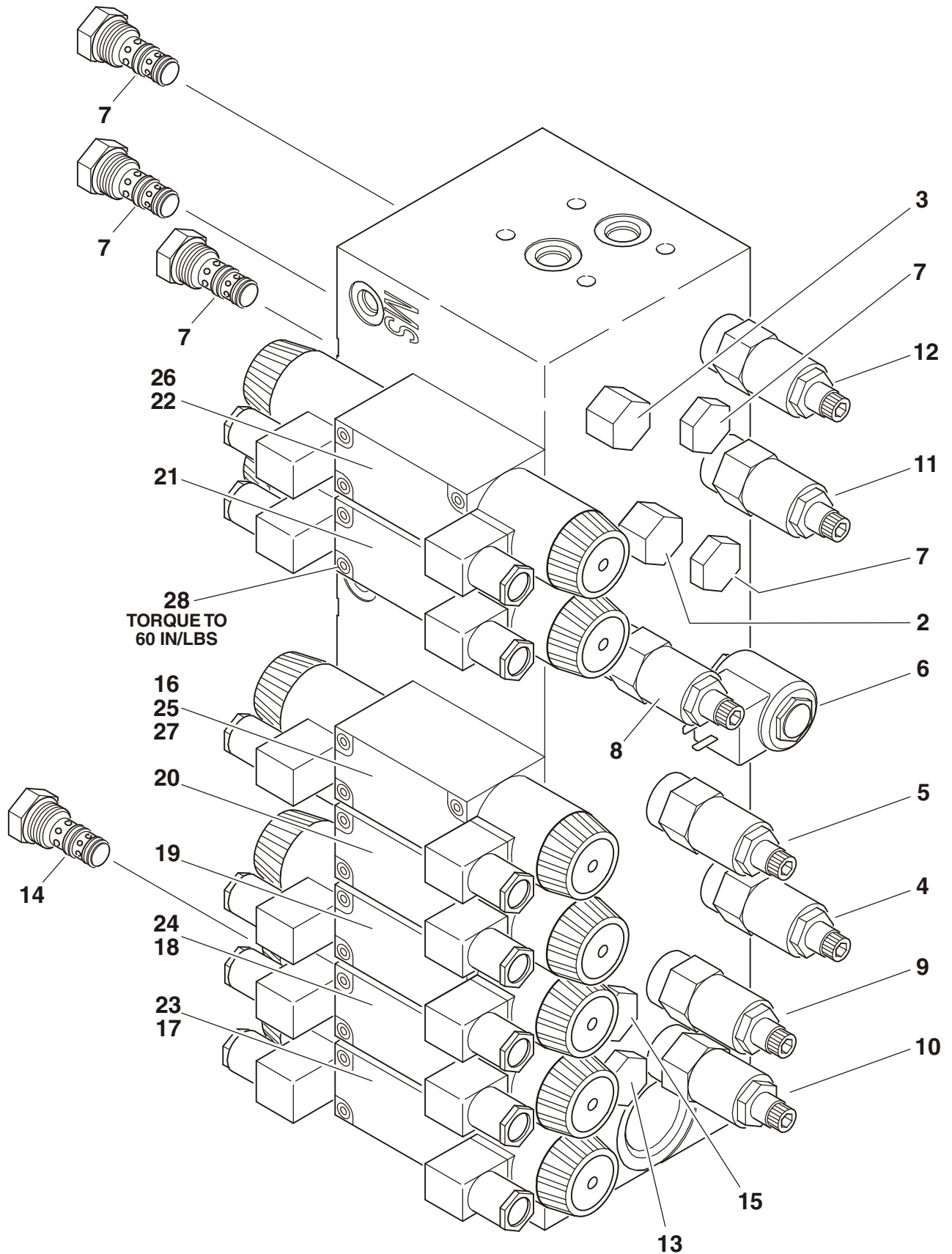
## SECTION 2 TURNTABLE

### FIGURE 2-1. VALVES INSTALLATIONS

ITEM #	PART NUMBER	QTY.	DESCRIPTION	REV.
		Ref.	<b>VALVES INSTALLATIONS</b>	
		Ref.	<b>400S</b>	
	0274600	Ref.	<b>S/N 0300096000 to S/N 0300115396</b>	C
	1001093434	Ref.	<b>S/N 0300115396 to Present</b>	B
		Ref.	<b>460SJ</b>	
	0274601	Ref.	<b>S/N 0300096000 to S/N 0300115396</b>	C
	1001093435	Ref.	<b>S/N 0300115396 to Present</b>	B
1	0100011	A/R	Locking, Compound	
2	0140001	1	Horn	
3	0651406	A/R	Bolt 1/4in-28NF x 3/4in	
4	0641420	2	Bolt 1/4in-20NC x 2-1/2in	
5	0641610	4	Bolt 3/8in-16NC x 1-1/4in	
6	2120209	1	Pressure Filter Assembly	
	2120210	1	Element, Filter - p/n 2120209	
	7020020	1	Manual Indicator - p/n 2120209	
7	3311405	2	Locknut 1/4in-20NC	
8	3311505	1	Locknut 5/16in-18NC	
9		A/R	Valve Assembly - Jib	
	Not Required	0	400S	
	4640921	1	460SJ (See Figure 2-3 for Breakdown)	
10		1	Dual Select Valve Assembly Options:	
10A	Use 1001099391	1	Valve S/N 0300096000 to S/N 0300136445 (was p/n 4641108)	
10B	7012944	1	Coil	
	7012941	1	Cartridge without Coil (was p/n 7012974)	
	7010543	1	Seal Kit - 7012974 & 7012941 Cartridges	
10C	7012943	1	Coil	
	7012995	1	Cartridge without Coil	
	7012518	1	Seal Kit - 7012995 Cartridge	
10D	4641317	1	Valve S/N 0300115396 to Present	
10E	7012944	2	Coil	
	7012941	2	Cartridge without Coil (was p/n 7012974)	
	7010543	2	Seal Kit - 7012941 Cartridge	
11	4641499	1	Main Control Valve Assembly (See Figure 2-2 for Breakdown)	
12	4751400	A/R	Flatwasher 1/4in Regular	
13	4751600	A/R	Flatwasher 3/8in Regular	
14	4751500	2	Flatwasher 5/16in Regular	
15	0641510	1	Bolt 5/16in-18NC x 1-1/4in	
16	4791500	1	Washer, Star 5/16in	
17	4921927	1	Harness, Sub (See Section 7 for Breakdown) (Not Shown) (460SJ Only)	

# SECTION 2 TURNTABLE

## FIGURE 2-2. MAIN CONTROL VALVE ASSEMBLY



## SECTION 2 TURNTABLE

**FIGURE 2-2. MAIN CONTROL VALVE ASSEMBLY**

ITEM #	PART NUMBER	QTY.	DESCRIPTION	REV.
	4641499	Ref.	<b>MAIN CONTROL VALVE ASSEMBLY</b>	A
1	Not Used			
2	7017411	1	Cartridge, Pilot Valve (Bang-Bang Controls)	
	7012518	1	Seal Kit - 7017411 Cartridge	
3	7017411	1	Cartridge, Pilot Valve (Proportional Controls)	
	7012518	1	Seal Kit - 7017411 Cartridge	
4	7021647	1	Cartridge, Relief Valve (Bang-Bang Main)	
	7012998	1	Seal Kit - 7021647 Cartridge	
5	7017422	1	Cartridge, Relief Valve (Proportional Main)	
	7012998	1	Seal Kit - 7017422 Cartridge	
6	7017410	1	Cartridge without Coil (Proportional Dump)	
	7012967	1	Seal Kit - 7017410 Cartridge	
	7012944	1	Coil	
7	7010542	5	Cartridge, Load Shuttle Valve	
	7010543	5	Seal Kit - 7010542 Cartridge	
8	7017422	1	Cartridge, Relief Valve (Steer)	
	7012998	1	Seal Kit - 7017422 Cartridge	
9	7017427	1	Cartridge, Relief Valve (Platform)	
	7012998	1	Seal Kit - 7017427 Cartridge	
10	7017428	1	Cartridge, Relief Valve (Platform Level)	
	7012998	1	Seal Kit - 7017428 Cartridge	
11	7021648	1	Cartridge, Relief Valve (Lift Down)	
	7012998	1	Seal Kit - 7021648 Cartridge	
12	7017428	1	Cartridge, Relief Valve (Swing)	
	7012998	1	Seal Kit - 7017428 Cartridge	
13	7012914	1	Cartridge, Pilot Check Valve (Platform Level)	
	7012918	1	Seal Kit - 7012914 Cartridge	
14	7012914	1	Cartridge, Pilot Check Valve (Platform Level)	
	7012918	1	Seal Kit - 7012914 Cartridge	
15	7012975	1	Cartridge, Check Valve (Platform Rotate)	
	7012540	1	Seal Kit - 7012975 Cartridge	
16	70001256	1	Control Valve Assembly (Steer)	
	Use 70001256	1	Seal Kit <b>(Note: Not Available for Purchase)</b>	
	Use 70001256	2	Nut <b>(Note: Not Available for Purchase)</b>	
	Use 70001256	2	Coil <b>(Note: Not Available for Purchase)</b>	
17	Use 70001976	1	Control Valve Assembly (Platform Level) (was p/n 7012770)	
	7012773	1	Seal Kit	
	7021375	2	Nut	
	7018991	2	Coil	
18	Use 70001976	1	Control Valve Assembly (Platform Rotate) (was p/n 7012770)	
	7012773	1	Seal Kit	
	7021375	2	Nut	
	7018991	2	Coil	
19	Use 70001976	1	Control Valve Assembly (Telescope) (was p/n 7012770)	
	7012773	1	Seal Kit	
	7021375	2	Nut	
	7018991	2	Coil	

## SECTION 2 TURNTABLE

**FIGURE 2-2. MAIN CONTROL VALVE ASSEMBLY (CONTINUED)**

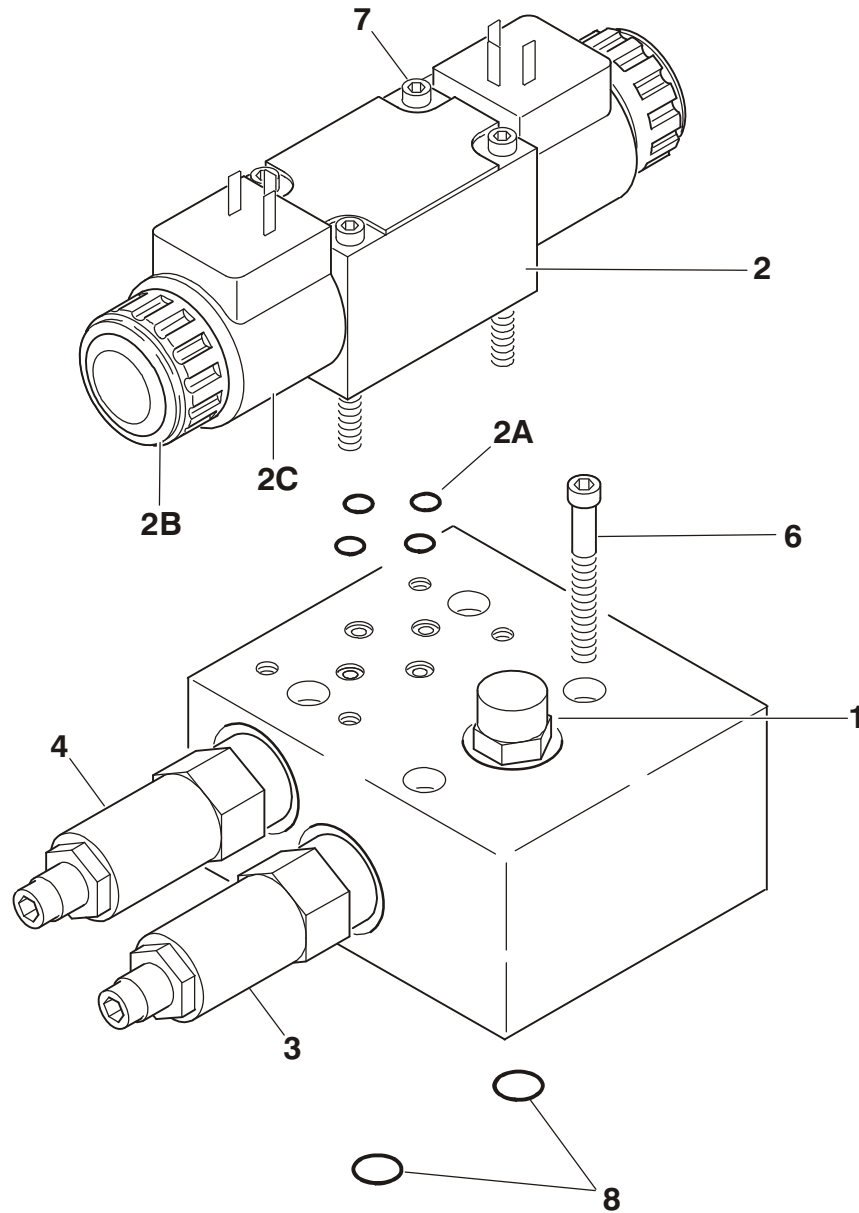
ITEM #	PART NUMBER	QTY.	DESCRIPTION	REV.
20	7021374	1	Control Valve Assembly (Flow Control)	A
	7012773	1	Seal Kit - 7021374 Valve	
	7021375	1	Nut	
	7018991	1	Coil	
21	7012775	1	Control Valve Assembly (Upper Lift)	
	7012773	1	Seal Kit - 7012775 Valve	
	7018912	2	Nut	
	7012772	2	Coil	
22	7012775	1	Control Valve Assembly (Swing)	
	7012773	1	Seal Kit - 7012775 Valve	
	7018912	2	Nut	
	7018991	2	Coil	
23	7018900	2	Orifice (Platform Level)	
24	7023821	1	Orifice (Platform Rotate)	
25	7023822	1	Orifice (Steer)	
26	7023823	1	Orifice (Swing)	
27	7023824	2	Orifice (Steer)	
28	7018942	28	Capscrew, Socket #10-24NC x 2in	

**FIGURE 2-2. MAIN CONTROL VALVE ASSEMBLY (CONTINUED)**

ITEM #	PART NUMBER	QTY.	DESCRIPTION	REV.

## SECTION 2 TURNTABLE

FIGURE 2-3.ACCESSORY VALVE ASSEMBLY



**NOTE: TORQUE ITEMS 6 & 7  
TO 60 IN/LBS.**

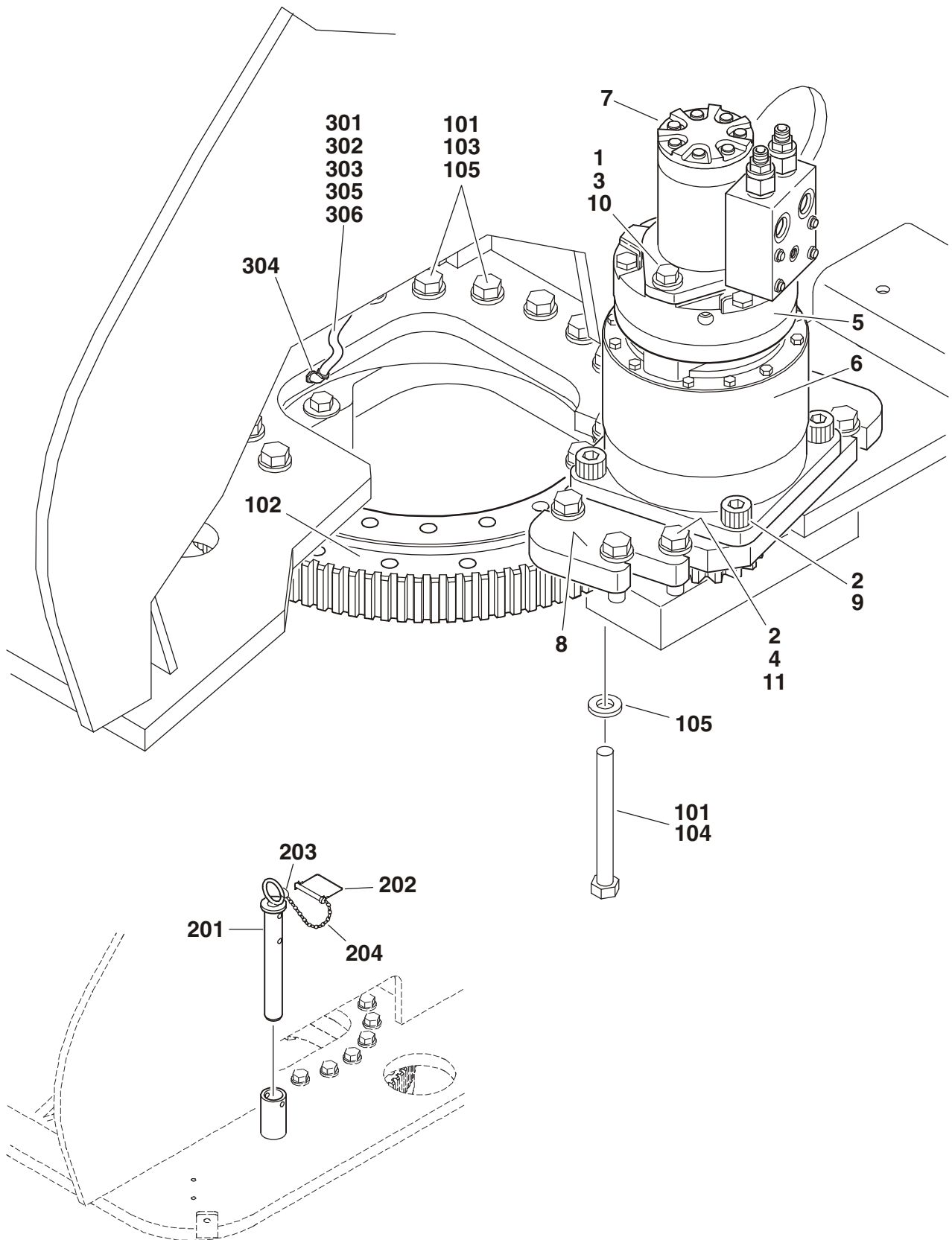
**FIGURE 2-3. ACCESSORY VALVE ASSEMBLY**

ITEM #	PART NUMBER	QTY.	DESCRIPTION	REV.
	4640921	Ref.	<b>ARTICULATING JIB VALVE ASSEMBLY</b>	D
1	7012965	1	Cartridge, Flow Control	
	7012953	1	Seal Kit - 7012965 Cartridge	
2	7012770	1	Directional Control Valve Assembly	
	7012773	1	Seal Kit	
2A	7018945	4	O-Ring	
2B	7018912	2	Nut	
2C	7012772	2	Coil	
3	7017421	1	Cartridge, Relief	
	7012998	1	Seal Kit - 7017421 Cartridge	
4	7017422	1	Cartridge, Relief	
	7012998	1	Seal Kit - 7017422 Cartridge	
5	4460499	2	Connector, DIN with Diode (Not Shown - Part of Valve Harness)	
6	7012777	4	Capscrew, Socket Head 5/16in-18NC x 2-1/4in (Used to Mount Valve Assembly)	
7	7018942	4	Capscrew, Socket Head #10-24NC x 2in	
8	7012776	2	O-Ring (Used to Mount Main Valve)	



# SECTION 2 TURNTABLE

## FIGURE 2-4. TURNTABLE AND SWING DRIVE INSTALLATIONS



## SECTION 2 TURNTABLE

**FIGURE 2-4. TURNTABLE AND SWING DRIVE INSTALLATIONS**

ITEM #	PART NUMBER	QTY.	DESCRIPTION	REV.
		Ref.	<b>SWING DRIVE INSTALLATION</b>	
	0270326	Ref.	<b>S/N 0300096000 to S/N 0300137201</b>	C
	1001095198	Ref.	<b>S/N 0300137201 to Present</b>	B
1	0100011	A/R	Locking, Compound	
2	0100019	A/R	Locking, Compound	
3		2	Bolt Options:	
	0681832		Bolt 1/2in-13NC x 4in (Grade 8) (S/N 0300096000 to S/N 0300137201)	
	See Figure 2-7		Bolt (S/N 0300137201 to Present)	
4	0682018	8	Bolt 5/8in-11NC x 2-1/4in (Grade 8)	
5		A/R	Swing Brake Assembly Options:	
	0920119	1	Brake S/N 0300096000 to S/N 0300137201	
	7007933	1	Gasket, Mounting Face (0920119 Brake)	
	7007990	1	O-Ring, Mounting Face (0920119 Brake)	
	7018612	1	Repair Kit (0920119 Brake)	
		Ref.	<b>Note: Mounting Face Gasket, Mounting Face O-Ring &amp; Repair Kit are the only parts available for 0920119 Brake.</b>	
	1001101062	1	Brake S/N 0300137201 to Present (See Figure 2-7 for Breakdown)	
6		1	Swing Hub Assembly Options:	
	2780247		Hub S/N 0300096000 to S/N 0300137201(See Figure 2-5 for Breakdown)	
	1001101062		Hub S/N 0300137201 to Present (See Figure 2-7 for Breakdown)	
7		1	Swing Motor Assembly Options	
	3160280		Motor S/N 0300096000 to S/N 0300137201(See Figure 2-6 for Breakdown)	
	1001101062		Motor S/N 0300137201 to Present (See Figure 2-7 for Breakdown)	
8	3572041		Plate, Mount	
9	3932224	4	Capscrew, Socket Head 3/4in-1NC x 1-1/2in	
10		2	Flatwasher Options:	
	4891800		Flatwasher 1/2in Hardened (S/N 0300096000 to S/N 0300137201)	
	See Figure 2-7		Flatwasher (S/N 0300137201 to Present)	
11	4892000	6	Flatwasher 5/8in Hardened	
12	4071009	1	Shim, Drive Gear (Not Shown)	
		Ref.	<b>SWING BEARING AND ROTATION BOX ASSEMBLY</b>	
	0259156	Ref.	<b>S/N 0300096000 to S/N 0300161285</b>	D
	1001143234	Ref.	<b>S/N 0300161285 to Present</b>	A
101	0100019	A/R	Locking, Compound	
102	0440240	1	Bearing, Turntable	
103	0682026	20	Bolt 5/8in-11NC x 3-1/4in (Grade 8)	
104		20	Bolt 5/8in-11NC Options:	
	0682048		Bolt 5/8in-11NC x 6in (Grade 8)	
	0682034		Bolt 5/8in-11NC x 4-1/4in (Grade 8)	

## SECTION 2 TURNTABLE

**FIGURE 2-4. TURNTABLE AND SWING DRIVE INSTALLATIONS (CONTINUED)**

ITEM #	PART NUMBER	QTY.	DESCRIPTION	REV.
105	4892000	40	Flatwasher 5/8in Hardened	
	0259147	Ref.	<b>TURNTABLE LOCK INSTALLATION</b>	B
201	4844958	1	Pin Weldment	
202	3421565	1	Pin, Snap	
203	3760170	2	Ring, Quick Release	
204	1260017	9in/23cm	Chain	
	0259158	Ref.	<b>REMOTE BEARING LUBE INSTALLATION</b>	B
301	2160002	1	Fitting, Grease	
302	2180344	1	Fitting, Bulkhead	
303	2220001	1	Fitting, Straight	
304	2220124	1	Fitting, 45°	
305	2751095	1	Hose	
306	2220273	1	Fitting, Reducer	

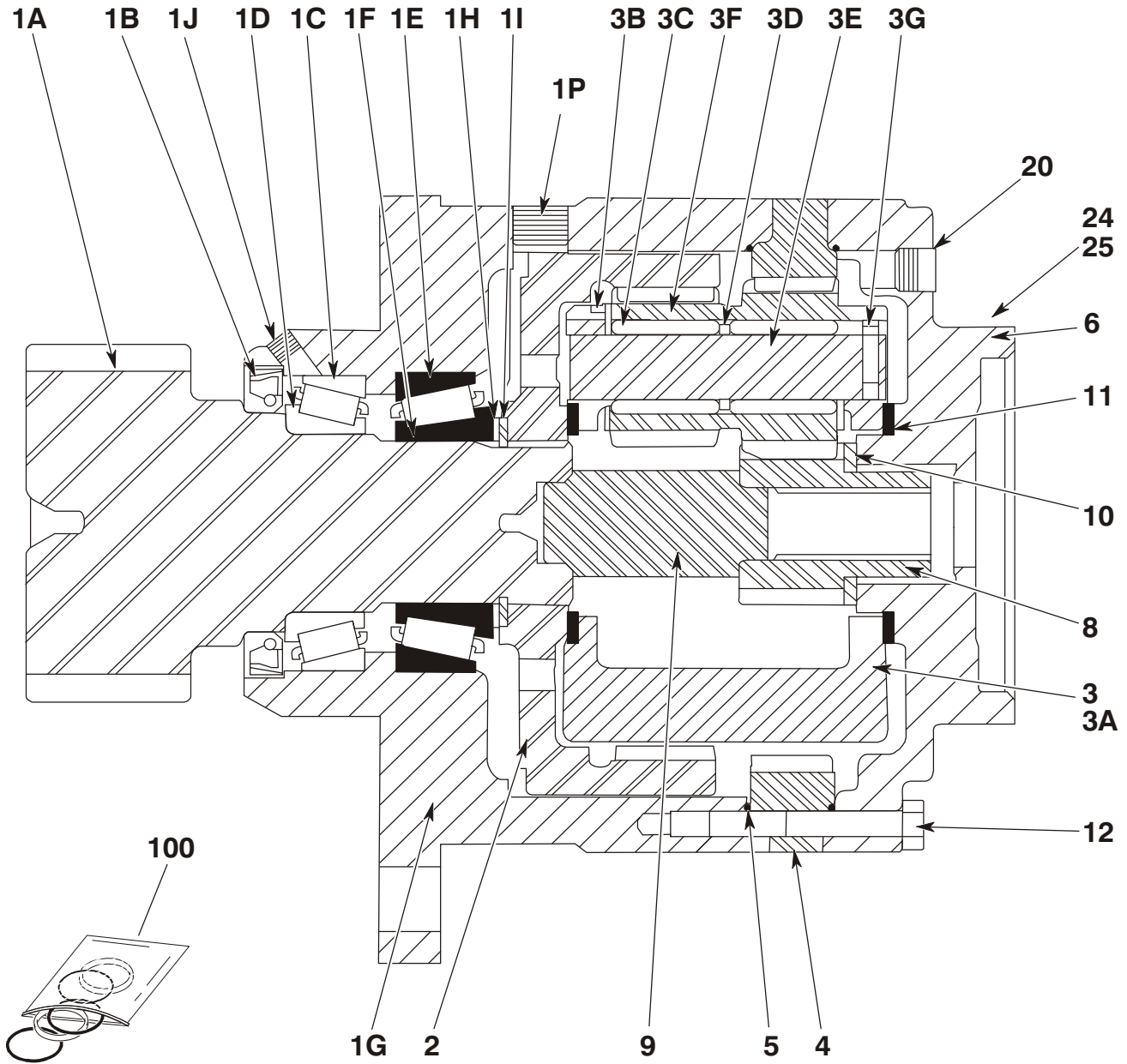
**SECTION 2 TURNTABLE**

**FIGURE 2-4. TURNTABLE AND SWING DRIVE INSTALLATIONS (CONTINUED)**

ITEM #	PART NUMBER	QTY.	DESCRIPTION	REV.

# SECTION 2 TURNTABLE

FIGURE 2-5. SWING HUB ASSEMBLY (S/N 0300096000 TO S/N 0300137201)



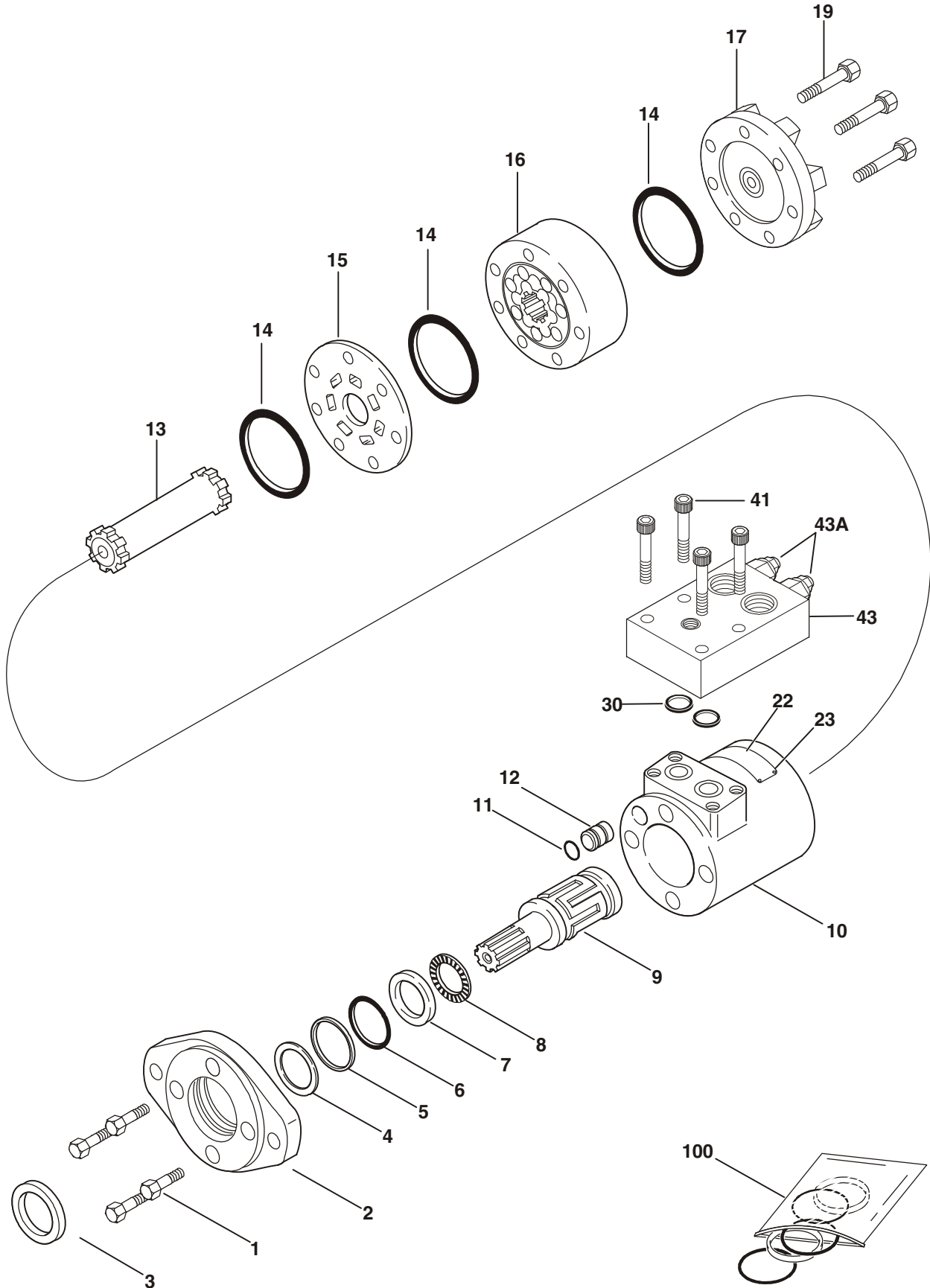
## SECTION 2 TURNTABLE

**FIGURE 2-5. SWING HUB ASSEMBLY (S/N 0300096000 TO S/N 0300137201)**

ITEM #	PART NUMBER	QTY.	DESCRIPTION	REV.
	2780247	Ref.	<b>SWING HUB ASSEMBLY</b>	A
1	Use 2780247	1	Housing & Shaft Assembly ( <b>Note: Not Available - Purchase Complete Swing Hub Assembly</b> )	
1A	7017064	1	Shaft, Output	
1B	7000228	1	Seal, Lip	
1C	7000255	1	Cup, Bearing	
1D	7000256	1	Cone, Bearing	
1E	7000257	1	Cup, Bearing	
1F	7000258	1	Cone, Bearing	
1G	7017065	1	Housing	
1H	7007633	1	Thrustwasher	
1I	7000229	1	Ring, Retaining	
1J	7010494	1	Plug, Pipe	
1K to 1N	Not Used			
1P	See Note	2	Plug, Pipe ( <b>Note: Not Available - Purchase Locally</b> )	
2	7000246	1	Gear, Internal	
3	7017066	1	Carrier Assembly (Purchase p/n 7017066 for items 3A-3G)	
3A	Use 7017066	1	Housing, Carrier (Purchase Complete Assembly)	
3B	Use 7017066	6	Washer, Special (Purchase Complete Assembly)	
3C	Use 7017066	A/R	Bearing, Needle (Purchase Complete Assembly)	
3D	Use 7017066	3	Thrustwasher (Purchase Complete Assembly)	
3E	Use 7017066	3	Pin (Purchase Complete Assembly)	
3F	Use 7017066	3	Gear (Purchase Complete Assembly)	
3G	Use 7017066	3	Pin, Retaining (Purchase Complete Assembly)	
4	7001988	1	Gear, Ring	
5	7000230	2	O-Ring	
6	7000209	1	Cover, Input	
7	Not Used			
8	7010488	1	Gear, Sun	
9	7000269	1	Spacer, Input	
10	7000270	1	Thrustwasher	
11	7000253	2	Thrustwasher	
12	7000217	8	Bolt	
13 to 19	Not Used			
20	2200222	1	Plug, Pipe	
21 to 23	Not Used			
24	See Note	1	Plate, ID ( <b>Note: Not Available for Purchase</b> )	
25	7000281	2	Screw, Drive	
100	7024100	1	Seal Kit	

# SECTION 2 TURNTABLE

FIGURE 2-6. SWING MOTOR ASSEMBLY (S/N 0300096000 TO S/N 0300137201)



**SECTION 2 TURNTABLE**

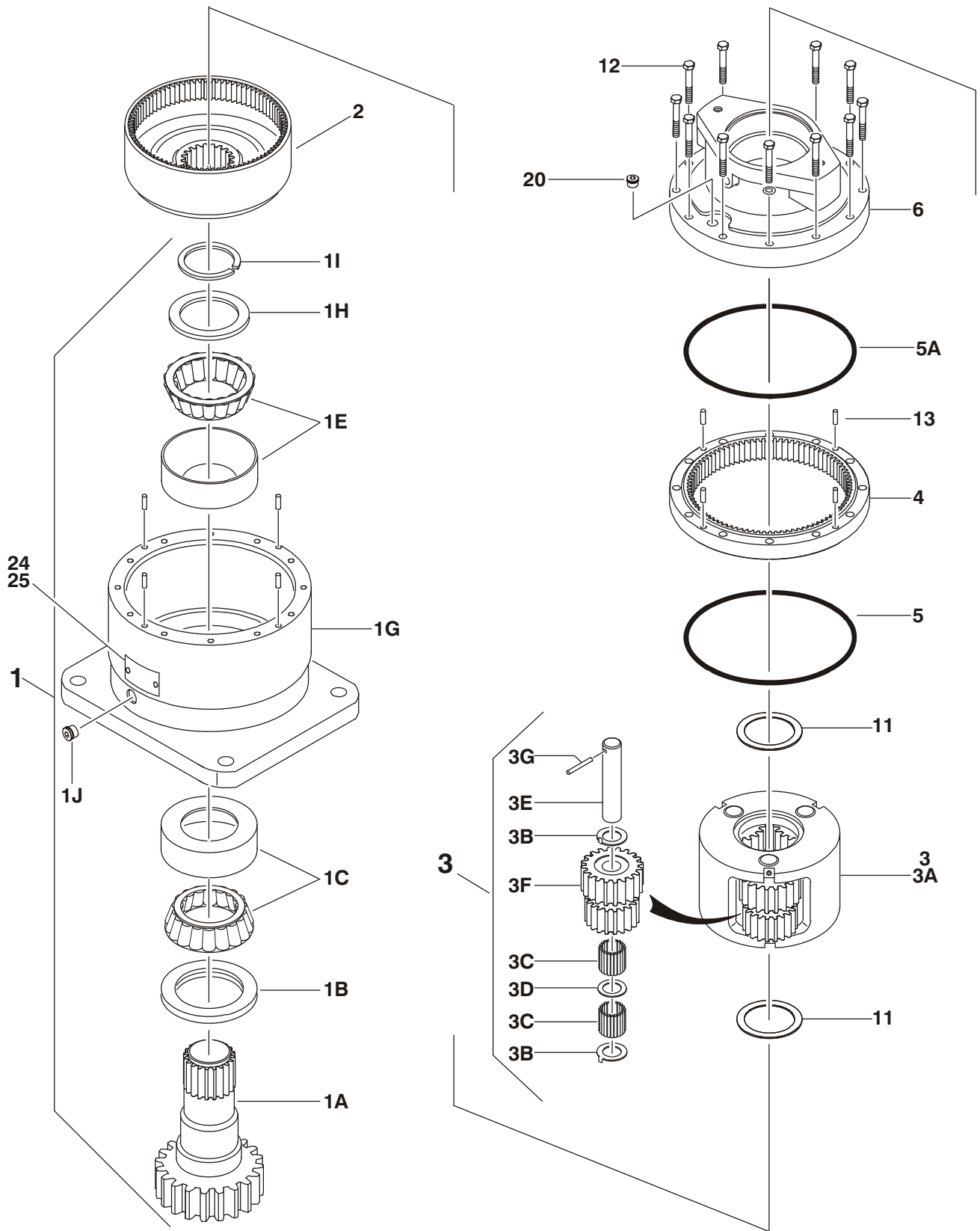
**FIGURE 2-6. SWING MOTOR ASSEMBLY (S/N 0300096000 TO S/N 0300137201)**

ITEM #	PART NUMBER	QTY.	DESCRIPTION	REV.
	3160280	Ref.	<b>SWING MOTOR ASSEMBLY</b>	B
1	7020357	4	Capscrew	
2	7009996	1	Flange, Mounting	
3	Use 2900733	1	Seal, Exclusion	
4	Use 2900733	1	Washer, Backup	
5	Use 2900733	1	Seal, Pressure	
6	Use 2900733	1	Seal	
7	7002117	1	Race, Bearing	
8	7002111	1	Bearing, Thrust Needle	
9	7009998	1	Shaft, Output	
10	7020352	1	Housing	
11	Use 2900733	1	O-Ring	
12	7009992	1	Plug, Housing	
13	7002112	1	Drive	
14	Use 2900733	3	Seal	
15	7002110	1	Plate, Spacer	
16	7002125	1	Gerotor Sub-Assembly	
17	7002107	1	Cap, End	
18	Not Used			
19	7014900	7	Capscrew	
20 to 21	Not Used			
22	See Note	1	Nameplate <b>(Note: Not Available for Purchase)</b>	
23	See Note	2	Rivet <b>(Note: Not Available for Purchase)</b>	
24 to 29	Not Used			
30	Use 2900733	2	O-Ring	
31 to 40	Not Used			
41	7020353	4	Capscrew	
42	Not Used			
43	7020359	1	Cartridge, Counterbalance Valve	
43A	7020362	2	Cartridge	
100	2900733	1	Seal Kit - Includes Items 3-6,11,14 & 30	

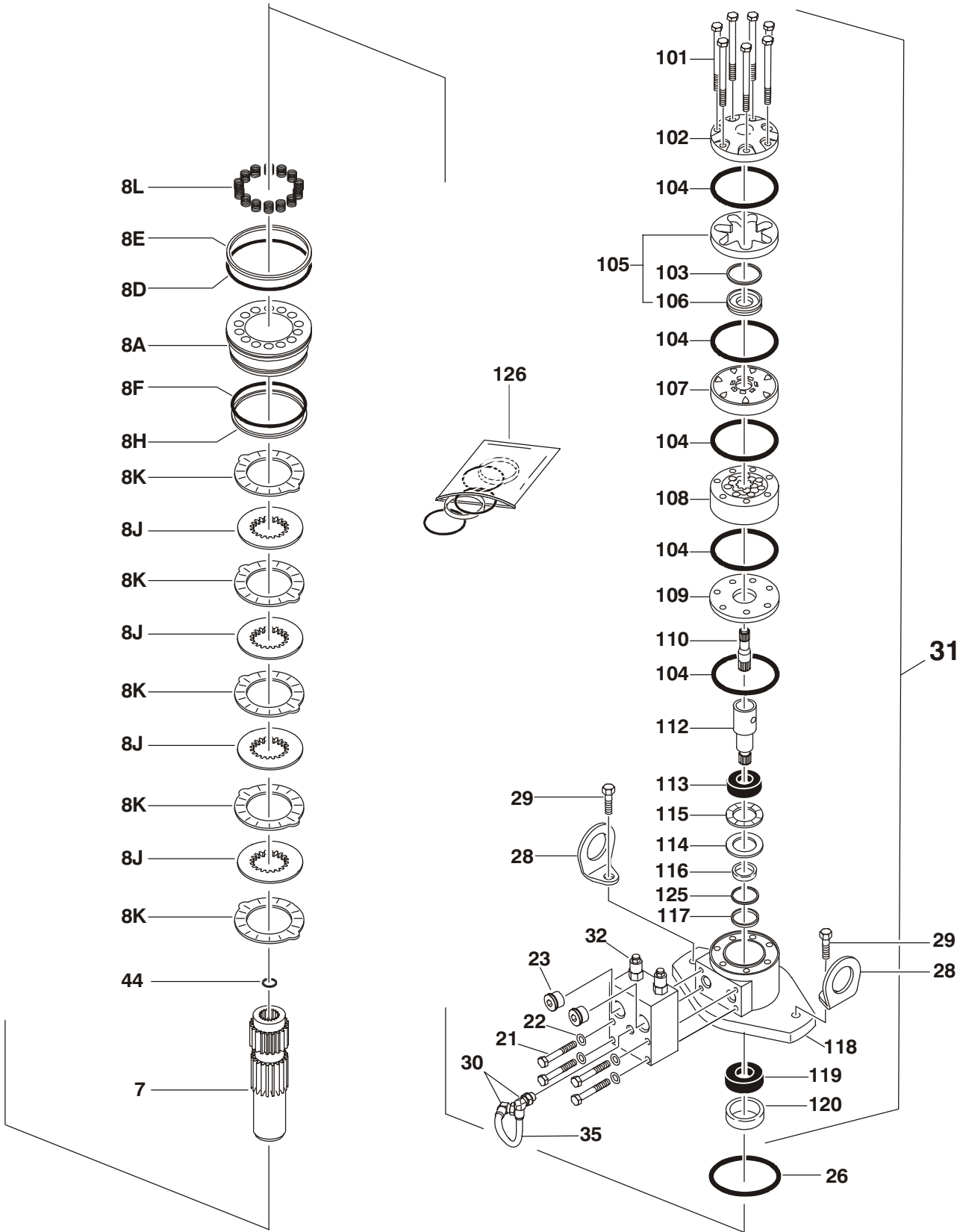


# SECTION 2 TURNTABLE

FIGURE 2-7. SWING MOTOR/BRAKE/HUB ASSEMBLY (S/N 0300137201 TO PRESENT)



**SECTION 2 TURNTABLE**



## SECTION 2 TURNTABLE

FIGURE 2-7. SWING MOTOR/BRAKE/HUB ASSEMBLY (S/N 0300137201 TO PRESENT)

ITEM #	PART NUMBER	QTY.	DESCRIPTION	REV.
	1001101062	Ref.	<b>SWING MOTOR/HUB ASSEMBLY</b>	A
1	Use 1001101062	1	Housing/Shaft Assembly ( <b>Note: Not Available - Purchase Complete Swing Motor/Hub Assembly</b> )	
1A	7017064	1	Shaft, Output	
1B	7000228	1	Seal, Lip	
1C	7000255	1	Bearing Kit (Includes Cup & Cone)	
1D	Not Used			
1E	7000257	1	Bearing Kit (Includes Cup & Cone)	
1F	Not Used			
1G	Use 1001101062	1	Housing ( <b>Note: Not Available for Purchase</b> )	
1H	7007633	1	Thrustwasher	
1I	7000229	1	Ring, Retaining	
1J	7017072	1	Plug, Pipe	
2	7000246	1	Gear, Internal	
3	80424002	1	Carrier Assembly	
3A	7001931	1	Carrier	
3B	7001985	6	Washer, Tanged	
3C	7001909	96	Bearing, Needle	
3D	7000263	3	Thrustwasher	
3E	7001911	3	Shaft, Planet	
3F	7001912	3	Gear, Cluster	
3G	7010474	3	Rollpin	
4	7000248	1	Gear, Ring	
5	7000230	1	O-Ring (Black)	
5A	7017070	1	O-Ring (White)	
6	Use 1001101062	1	Housing, Brake ( <b>Note: Not Available for Purchase</b> )	
7	70002065	1	Gear, Sun	
8		A/R	Brake Components	
8A	70000782	1	Piston, Brake	
8B	Not Used			
8C	Not Used			
8D	70002070	1	O-Ring	
8E	70002071	1	Ring, Back-up	
8F	70002073	1	O-Ring	
8G	Not Used			
8H	70002072	1	Ring, Back-up	
8I	Not Used			
8J	70002067	4	Rotor, Brake	
8K	70002068	5	Stator, Brake	
8L	70002066	14	Spring, Brake	
9 to 10	Not Used			
11	7000253	2	Thrustwasher	
12	7000217	12	Bolt 5/16in-18NC x 2-1/4in (Grade 8)	
13	7017080	4	Pin, Dowel	
14 to 19	Not Used			
20	7017072	1	Plug, Pipe	
21	7024704	4	Bolt 5/16in-18NC x 2in (Grade 8)	

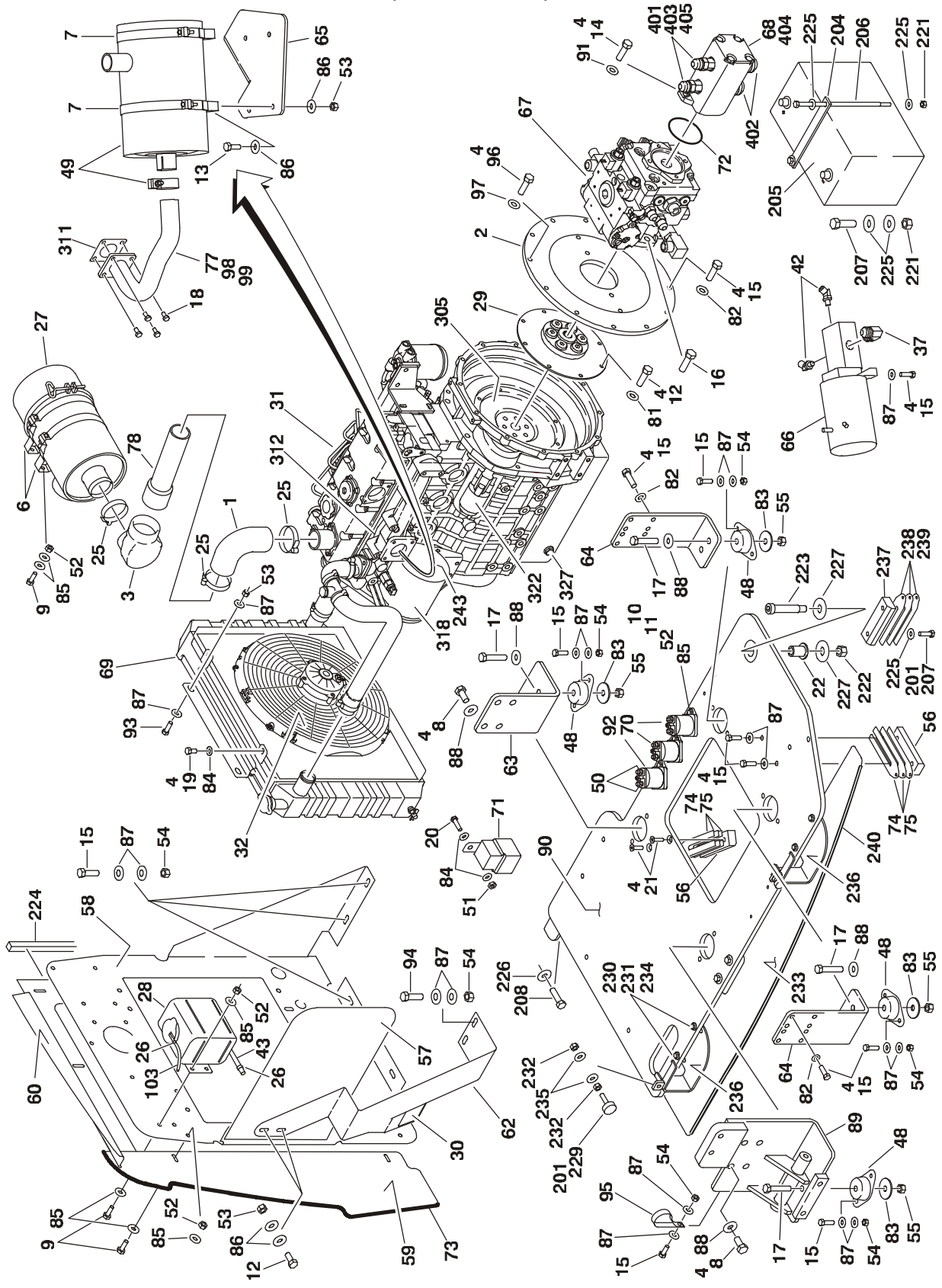
## SECTION 2 TURNTABLE

**FIGURE 2-7. SWING MOTOR/BRAKE/HUB ASSEMBLY (S/N 0300137201 TO PRESENT)  
(CONTINUED)**

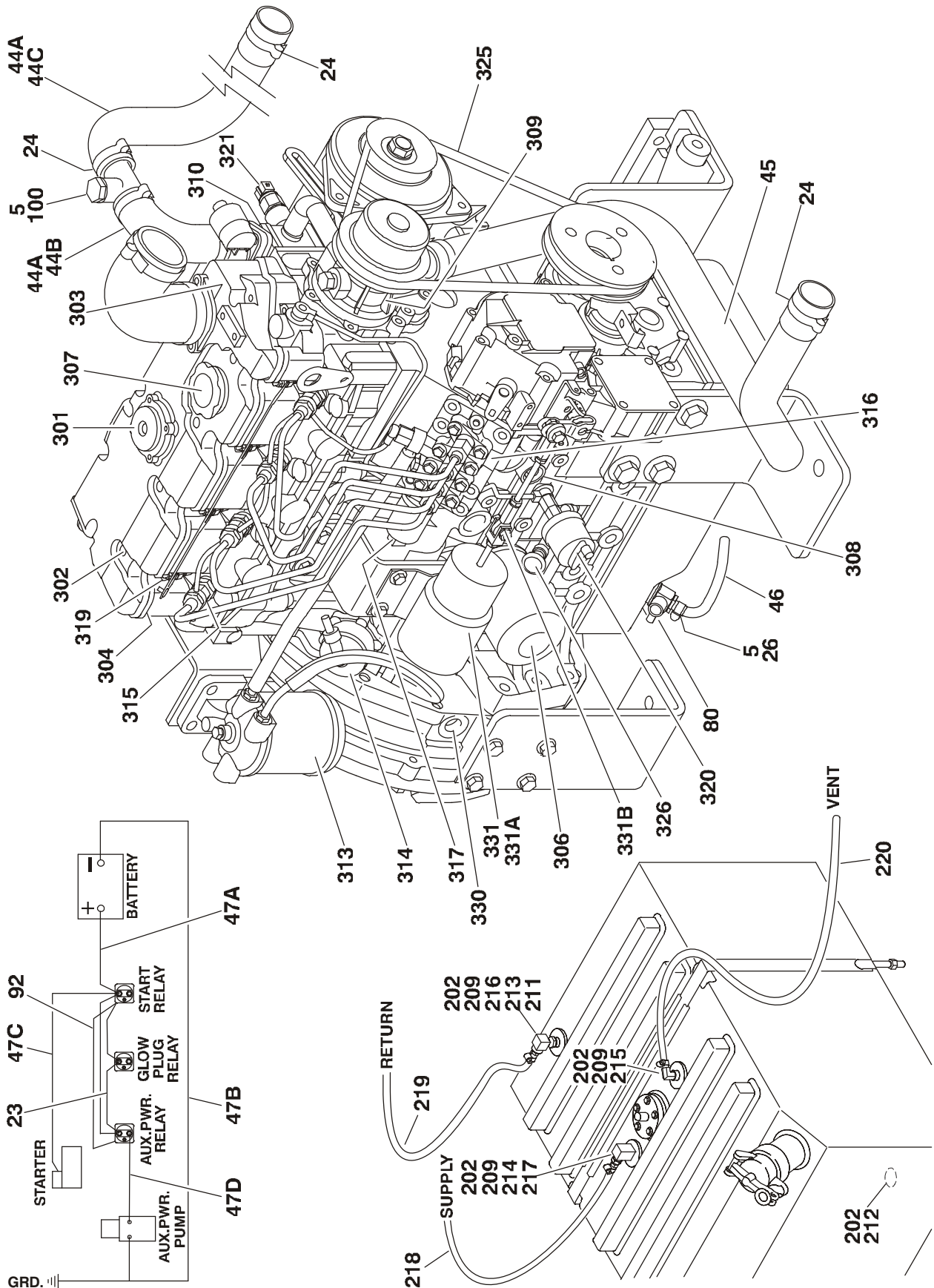
ITEM #	PART NUMBER	QTY.	DESCRIPTION	REV.
22	See Note	4	Lockwasher <b>(Note: Not Available - Purchase Locally)</b>	
23	7017023	2	Plug, Pipe	
24	See Note	1	Plate, ID <b>(Note: Not Available for Purchase)</b>	
25	7000281	2	Screw, Drive	
26	7024763	1	O-Ring	
27	Not Used			
28	See Note	2	Lug, Lifting <b>(Note: Not Available for Purchase)</b>	
29	7017081	2	Bolt 1/2in-13NC x 1-1/2in (Grade 8)	
30	7017085	2	Elbow	
31	70002075	1	Motor Assembly (See Items 101-126 for Breakdown)	
32	7024784	1	Valve (No Serviceable Parts)	
33	7017082	1	Plug, Pipe (Not Shown)	
34	Not Used			
35	70002074	1	Tube	
36 to 43	Not Used			
44	7017028	1	Seal Kit - Swing Hub (Includes Items 1B, 1I, 5, 5A & 11)	
	70002075	Ref.	<b>MOTOR ASSEMBLY</b>	
101	7024454	6	Bolt	
102	7004035	1	Cover, End	
103	Use 7024396	1	Seal, Commutator	
104	Use 7024396	5	Seal, Ring	
105	7024453	1	Commutator and Ring Assembly	
106	Use 7024453	1	Ring	
107	7024379	1	Manifold	
108	7024455	1	Rotor Set	
109	7024380	1	Plate, Wear	
110	7024456	1	Link, Drive	
111	Not Used			
112	7024458	1	Shaft, Coupling	
113	7024381	1	Bushing, Bronze	
114	7004043	1	Thrustwasher	
115	7004044	1	Bearing, Thrust	
116	Use 7024396	1	Seal, Inner	
117	Use 7024396	1	Washer, Back-up	
118	Use 1001101062	1	Housing <b>(Note: Not Available for Purchase)</b>	
119	7024390	1	Bearing	
120	Use 7024396	1	Seal	
121 to 124	Not Used			
125	Use 7024396	1	Washer, Back-up	
126	7024396	1	Seal Kit, Motor (Includes Items 103, 104, 116, 117, 120 & 125)	

# SECTION 2 TURNTABLE

FIGURE 2-8. CATERPILLAR ENGINE INSTALLATION - WITH ELECTRICAL DRIVEN COOLING FAN (WITHOUT UGM)



# SECTION 2 TURNTABLE



## SECTION 2 TURNTABLE

**FIGURE 2-8. CATERPILLAR ENGINE INSTALLATION - WITH ELECTRICAL DRIVEN COOLING FAN (WITHOUT UGM)**

ITEM #	PART NUMBER	QTY.	DESCRIPTION	REV.
		Ref.	<b>NOTE: FOR MODULE IDENTIFICATION, REFER TO REVISION LOG PAGE A.</b>	
		Ref.	<b>NOTE: TO CONVERT ELECTRIC FAN TO MECHANICAL FAN, SEE SECTION 10.</b>	
		Ref.	<b>CATERPILLAR ENGINE ASSEMBLY</b>	
	2000313	Ref.	<b>Without Arctic Package</b>	I
	1001093898	Ref.	<b>With Arctic Package</b>	G
1	2180482	1	Elbow, Rubber	
2	0080181	1	Adaptor, Pump Mounting Plate	
3	0080201	1	Elbow, Rubber	
4	0100011	A/R	Locking, Compound	
5	0100020	A/R	Sealant	
6	0340041	2	Band, Air Cleaner Mounting	
7	0340046	2	Band, Muffler Mounting	
8	0630569	8	Bolt M14 x 30mm	
9	0641406	13	Bolt 1/4in-20NC x 3/4in	
10	0641408	5	Bolt 1/4in-20NC x 1in	
11	0641410	1	Bolt 1/4in-20NC x 1-1/4in	
12	0641506	10	Bolt 5/16in-18NC x 3/4in	
13	0641507	4	Bolt 5/16in-18NC x 7/8in	
14	0641608	2	Bolt 3/8in-16NC x 1in	
15	0641610	A/R	Bolt 3/8in-16NC x 1-1/4in	
16	0641812	2	Bolt 1/2in13NC x 1-1/2in	
17	0641820	4	Bolt 1/2in-13NC x 2-1/2in	
18	0700808	4	Bolt M8 x 16mm	
19	0721004	4	Screw #10-24NC x 1/2in	
20	0721006	1	Screw #10-24NC x 3/4in	
21	0741610	2	Screw, Countersunk 3/8in-16NC x 1-1/4in	
22	0962172	1	Bushing, Flanged	
23	1060904	1	Cable, Jumper	
24	1320012	6	Clamp	
25	1320016	4	Clamp	
26	1320022	3	Clamp	
27	1340060	1	Air Cleaner Assembly	
	7012664	1	Element, Air Cleaner	
28	1580011	1	Container, Overflow	
29	1660255	1	Pump, Coupling	
30	1703162	2	Decal - Fan Blade	
31	1001104689	1	Caterpillar Engine Assembly (was p/n 2000195)	
32	2060032	1	Fan, Electric	
33 to 36	Not Used			
37	2220567	1	Fitting, 90°	
38 to 41	Not Used			
42	2221045	2	Fitting	
43	2720058	4in/10cm	Hose	

## SECTION 2 TURNTABLE

**FIGURE 2-8. CATERPILLAR ENGINE INSTALLATION - WITH ELECTRICAL DRIVEN COOLING FAN (WITHOUT UGM) (CONTINUED)**

ITEM #	PART NUMBER	QTY.	DESCRIPTION	REV.
44		A/R	Hose, Radiator (Top) Options:	
44A	Use 1001102308	1	Service Kit for S/N 0300096000 to S/N 0300130134 (was p/n 2720507. 1001102308 Kit includes qty 1 of items 44B, 44C, 100 & qty 2 of item 24)	
44B	1001101232	1	Hose for S/N 0300130134 to Present (Block to Adapter)	
44C	1001101233	1	Hose for S/N 0300130134 to Present (Adapter to Radiator)	
45	2720508	1	Hose, Radiator (Bottom)	
46	2750532	6in/25cm	Hose	
47	2901880	1	Battery Cable Kit	D
47A	7016843	1	Cable - Battery to Starter Relay	
47B	7016835	1	Cable - Battery & Auxiliary Pump to Ground	
47C	7016834	1	Cable - Starter Relay to Starter	
47D	7016820	1	Cable - Auxiliary Relay to Auxiliary Pump	
48	3200378	4	Mount, Motor	
49		1	Muffler Options:	
	3220113		Spark Arresting Muffler	
	70001017	1	Clamp	
	Use 1001107116		Catalytic Muffler (was p/n 3220154)	
	70002705	1	Clamp	
	70002706	1	Plug, Brass	
50	3300220	6	Nut, Washer	
51	3311005	1	Locknut #10-24NC	
52	3311405	19	Locknut 1/4in-20NC	
53	3311505	6	Locknut 5/16in-18NC	
54	3311605	A/R	Locknut 3/8in-16NC	
55	3311805	4	Locknut 1/2in-13NC	
56	3340399	2	Pad, Wear	
57	3571019	1	Plate, Air Panel	
58	3571692	1	Plate, Radiator Mounting	
59	3572502	1	Plate, Air Flow (Side)	
60	3572503	1	Plate, Air Flow (Top)	
61	Not Used			
62	3573667	1	Plate, Radiator Support	
63	3574253	1	Plate, Engine Mounting (Front)	
64	3574259	2	Plate, Engine Mounting (Rear)	
65		1	Plate, Muffler Support Options:	
	3574264		S/N 0300096000 to S/N 0300118775	
	1001098525		S/N 0300118775 to Present	
66		1	Auxiliary Power Pump Assembly Options (See Figure 2-22 for Breakdown):	
	Use 3600423		S/N 0300096000 to S/N 0300105249 (was p/n 3600279)	
	3600423		S/N 0300105249 to Present	
67	3600404	1	Piston Pump Assembly (See Figure 2-21 for Breakdown)	
68	3600405	1	Gear Pump Assembly With Fittings (See Items 401-405 for Breakdown)	
69	3620046	1	Radiator	
	7019656	1	Cap, Radiator	
70	3740067	3	Relay	
71	3740080	1	Relay	



## SECTION 2 TURNTABLE

**FIGURE 2-8. CATERPILLAR ENGINE INSTALLATION - WITH ELECTRICAL DRIVEN COOLING FAN (WITHOUT UGM) (CONTINUED)**

ITEM #	PART NUMBER	QTY.	DESCRIPTION	REV.
72	3790152	1	O-Ring	
73	3960389	A/R	Seal	
		10ft/3m	S/N 0300096000 to S/N 0300110480	
		6ft/2m	S/N 0300110480 to Present	
74	4070497	4	Shim	
75	4070498	2	Shim	
76	Not Used			
77	4568743	1	Pipe, Exhaust	
78	4569176	1	Tube, Air Intake	
79	Not Used			
80	4641272	1	Valve, Oil Drain	
81	4711500	8	Flatwasher 5/16in Thin	
82	4711600	18	Flatwasher 3/8in Thin	
83	4740274	4	Washer, Snubbing	
84	4751000	6	Flatwasher #10 Regular	
85	4751400	38	Flatwasher 1/4in Regular	
86	4751500	12	Flatwasher 5/16in Regular	
87	4751600	A/R	Flatwasher 3/8in Regular	
88	4751800	11	Flatwasher 1/2in Regular	
89	4846821	1	Mount, Motor/Generator	
90	4846852	1	Tray	
91	4891600	2	Flatwasher 3/8in Hardened	
92	4922737	1	Harness, Engine Grounding	
93	0641609	4	Bolt 3/8in-16NC x 1-1/8in	
94	0941611	2	Bolt 3/8in-16NC x 1-3/8in	
95	1001097588	1	Clamp, Tubing	
96		2	Bolt Options:	
	0641610		Bolt 3/8in-16NC x 1-1/4in (S/N 0300096000 to S/N 0300118775)	
	0641612		Bolt 3/8in-16NC x 1-1/2in (S/N 0300118775 to Present)	
97		2	Flatwasher Options:	
	4751600		Flatwasher 3/8in Regular (S/N 0300096000 to S/N 0300118775)	
	4891600		Flatwasher 3/8in Hardened (S/N 0300118775 to Present)	
98	4100025	19in/48cm	Sleeve, Fiberglass (S/N 0300130134 to Present Only)	
99	1001100825	2	Tie-Strap (S/N 0300130134 to Present Only)	
100	1001101228	1	Adapter (S/N 0300130134 to Present Only)	
101 to 102	Not Used			
103	2720271	18in/46cm	Hose (S/N 0300135381 to Present)	
		Ref.	<b>Note: Following Items (Not Shown) Used on Arctic Package Machines Only.</b>	
	1702942	1	Decal, Engine Block Heater (Located at End of Heater Cord)	
	2580054	1	Heater, Engine Block	
	2300041	A/R	Fluid, Antifreeze 60/40 Arctic Antifreeze	
	3020044	A/R	Oil, Motor 0W-40	

## SECTION 2 TURNTABLE

**FIGURE 2-8. CATERPILLAR ENGINE INSTALLATION - WITH ELECTRICAL DRIVEN COOLING FAN (WITHOUT UGM) (CONTINUED)**

ITEM #	PART NUMBER	QTY.	DESCRIPTION	REV.
		Ref.	<b>CATERPILLAR ENGINE INSTALLATION</b>	
	0274605	Ref.	<b>Without Arctic Package</b>	F
	1001093899	Ref.	<b>With Arctic Package</b>	E
201	0100011	A/R	Locking, Compound	
202	0100020	A/R	Sealant	
203	Not Used			
204	0361810	1	Bar, Battery Hold-Down	
205	0400075	1	Battery	
206	0630541	2	Bolt, Battery	
207	0641616	3	Bolt 3/8in-16NC x 2in	
208	0642010	1	Bolt 5/8in-11NC x 1-1/4in	
209	1320022	5	Clamp	
210	1320223	1	J-Clip	
211	2180536	1	Fitting, Straight Barbed	
212	2200222	1	Plug	
213	2220250	1	Fitting, Reducer	
214	2220273	1	Fitting, Reducer	
215	2220313	1	Fitting, 90° Barbed	
216	2220459	1	Fitting, 90 °	
217	2220794	1	Fitting, Straight Barbed	
218	2720058	12ft/3.7m	Hose	
219	2720271	12ft/3.7m	Hose	
220	2750532	5ft/1.5m	Hose	
221	3311605	3	Locknut 3/8in-16NC	
222	3312005	1	Locknut 5/8in-11NC	
223	3900255	1	Screw, Shoulder	
224	3960469	1	Seal, Foam Gasket	
225	4751600	8	Flatwasher 3/8in Regular	
226	4752000	1	Flatwasher 5/8in-11NC	
227	4752200	2	Flatwasher 3/4in	
228	1701505	1	Decal - Diesel Fuel (Not Shown - See Section 8)	
229	0940049	2	Bumper, Hood	
230	0641410	4	Bolt 1/4in-20NC x 1-1/4in	
231	3311405	4	Locknut 1/4in-20NC	
232	3311501	4	Nut 5/16in-18NC	
233	3572504	1	Plate	
234	4751400	8	Flatwasher 1/4in Regular	
235	4751500	4	Flatwasher 5/16in Regular	
236		2	Latch, Hood Options: S/N 0300096000 to S/N 0300121156 (was p/n 4846096) S/N 0300121156 to Present	
	Use 1001094608			
	1001094608			
237	3340399	1	Pad, Wear	
238	4070498	1	Shim (16Ga.)	
239	4070497	2	Shim (11 Ga.)	
240	3960389	4ft/1.2m	Seal, Bulb	

## SECTION 2 TURNTABLE

**FIGURE 2-8. CATERPILLAR ENGINE INSTALLATION - WITH ELECTRICAL DRIVEN COOLING FAN (WITHOUT UGM) (CONTINUED)**

ITEM #	PART NUMBER	QTY.	DESCRIPTION	REV.
241		2.7 Gal	Coolant, Anti-Freeze Options (Not Shown):	
	2300004		Without Arctic Package	
	2300041		With Arctic Package	
242	Not Used			
243	3290601	1	Nut M6 x 1 (S/N 0300121156 to Present)	
244	3290501	1	Nut M5 x 0.8 (S/N 0300121156 to Present)	
		Ref.	<b>Note: Following Items (Not Shown) Used on Arctic Package Machines Only.</b>	
	1702944	1	Decal - Heater Cord	
	1060626	1	Cord, 3-Way Extension (Located on Left Front of Engine)	
	1702941	1	Decal - Battery Heater	
	2580024	1	Heater, Battery (Located on Battery)	
	1702943	1	Decal - Hydraulic Tank Heater	
	2580050	1	Heater, Hydraulic Tank	
	3980007	1	Seat, Battery (Located Under Battery)	
		Ref.	<b>CATERPILLAR ENGINE COMPONENTS</b>	
	Use 1001104689	Ref.	<b>Engine p/n 2000195 no longer available. Use p/n 1001104689 for Service Replacement.</b>	E
	1001104689	Ref.	<b>Service Replacement</b>	B
301	7026848	1	Breather, Valve	
	7026846	1	Gauze, Breather Valve	
302	7026847	4	Seal, Valve Cover Nut	
303	7026849	1	Gasket, Air Intake	
304	7026850	1	Seal, Valve Cover	
305	7026852	1	Flywheel with Starter Gear Set	
	7026853	1	Gear, Flywheel	
306	Use 70001403	1	Filter, Oil (was p/n 7026855)	
307	7026860	1	Cap, Oil Fill	
	7026856	1	Seal, Oil Fill Cap	
308	7026858	1	Valve, Relief	
	7026857	1	Seal	
309	7026864	1	Pump, Water	
	7026863	1	Gasket, Water Pump (Fits Between Pump and Pump Rear Plate)	
	7026865	1	Gasket, Water Pump (Fits Between Pump Rear Plate and Engine Block)	
310	7026867	1	Thermostat	
	See Note	1	Regulator, Water ( <b>Note: Not Available for Purchase</b> )	
	7026866	1	Gasket (Fits Between Regulator and Engine Block)	
	7026868	1	Gasket, Thermostat (Fits Between Regulator and Hose Adapter)	
311	7026869	1	Gasket, Exhaust	
312	7026870	1	Gasket, Exhaust Manifold	
313	70001695	1	Filter Assembly	
	7026871	1	Element, Fuel Filter	
	7026872	2	Gasket, Fuel Filter Element	

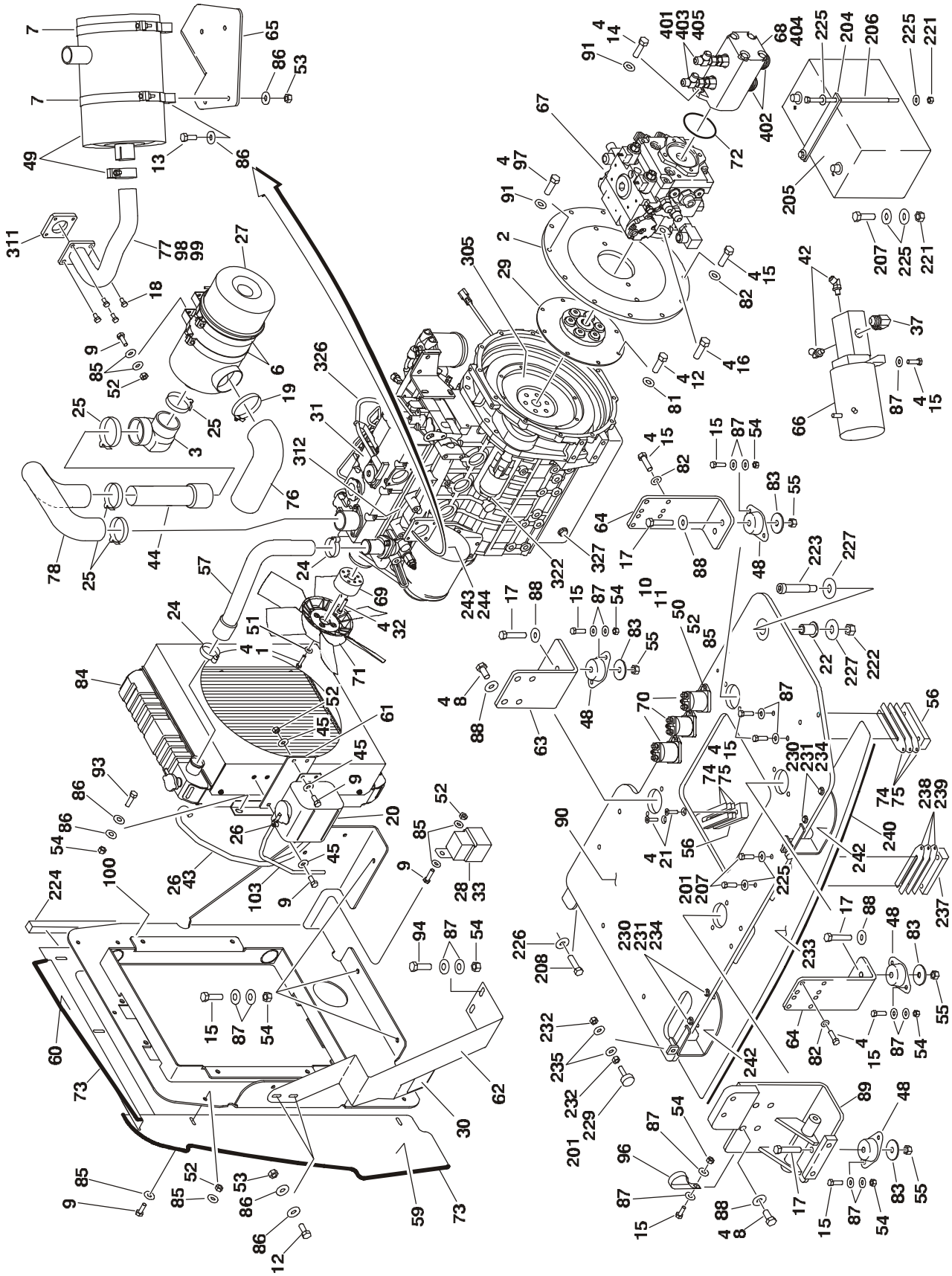
## SECTION 2 TURNTABLE

**FIGURE 2-8. CATERPILLAR ENGINE INSTALLATION - WITH ELECTRICAL DRIVEN COOLING FAN (WITHOUT UGM) (CONTINUED)**

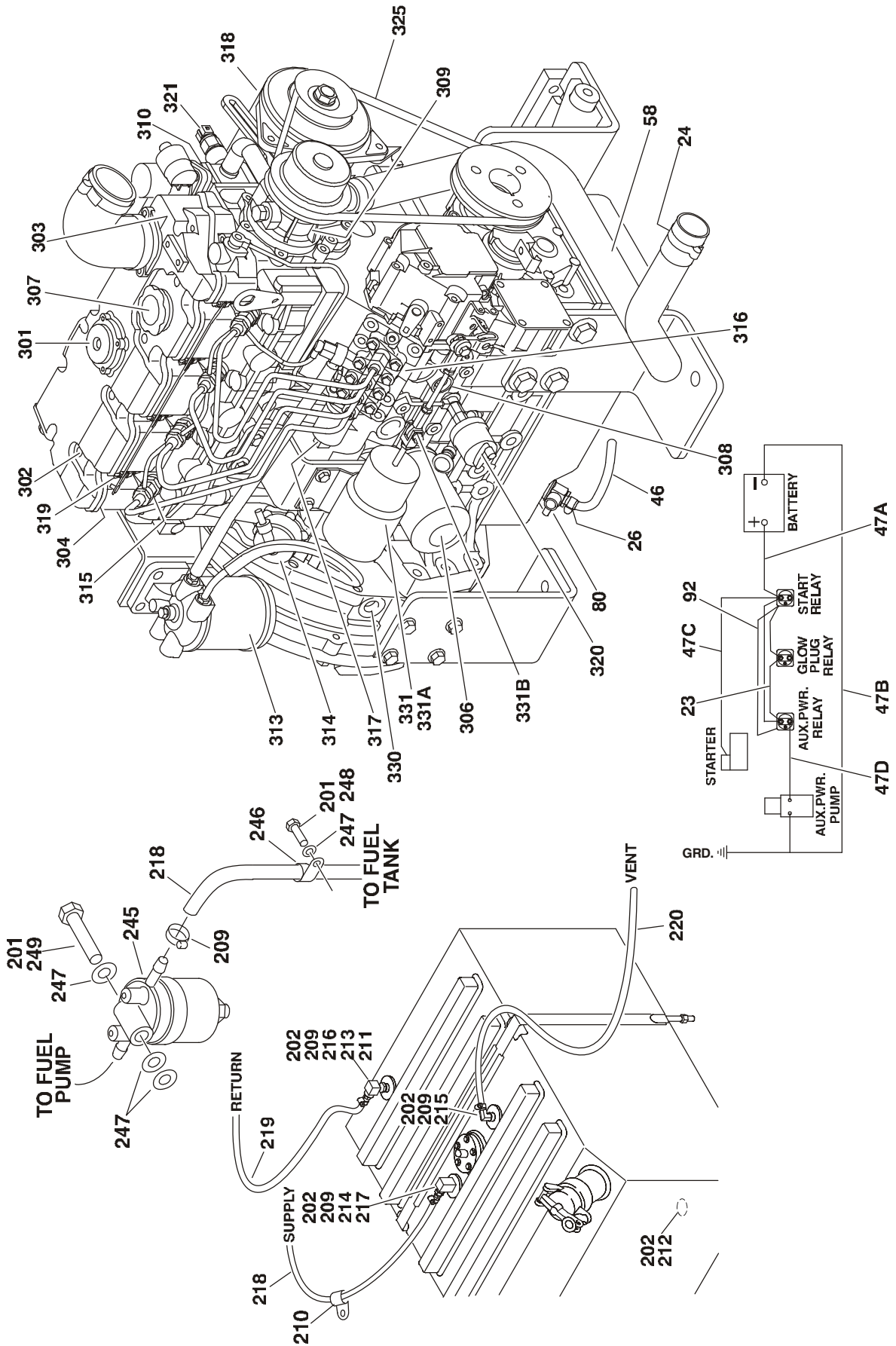
ITEM #	PART NUMBER	QTY.	DESCRIPTION	REV.
314	7026873	1	Pump, Fuel Transfer	
	7026874	1	Seal,	
315	7026875	4	Injector, Fuel	
316	See Note	1	Pump, Fuel Injection ( <b>Note: Not Available for Purchase</b> )	
317	Use 70001990	1	Solenoid, Fuel Shut-Off (was p/n 7026876) (Note: P/N 70001990 includes adapter harness if required.)	
318	Use 70000544	1	Alternator ( <b>Note: Not Available for Purchase</b> )	
	70000544		Alternator Conversion Kit (Includes Alternator, Adapter Harness, Alternator Bracket, Lever & Mounting Hardware)	
	70001180	1	Bolt, Lower Pivot	
	70001257	1	Bracket, Adjusting (Not Shown):	
319	7026878	4	Glowplug	
320	Use 1001097554	1	Switch, Oil Pressure (was p/n 7026844)	
321	7026840	1	Switch, Water Temperature	
	7026882	1	Seal, Sensor	
322	7026879	1	Starter	
323	7026854	1	Seal, Front Main (Not Shown - Located on Front of Engine Block)	
324	7026851	1	Seal, Rear Main (Not Shown - Located on Rear of Engine Block)	
325	7026880	1	Belt	
326	7026885	1	Dipstick Oil Level	
	7026886	1	Tube, Dipstick	
	7026881	1	O-Ring, Dipstick Tube	
327	7026861	1	Plug, Drain	
328	7026862	1	Gasket, Valve Bracket (Not Shown - Located on Between Valve Bracket & Head)	
329	7026859	1	Gasket, Oil Pan (Not Shown)	
330	7026883	1	Speed Sensor Kit	
	7026836	1	Connector, Speed Sensor	
331	See Note	1	Actuator/Linkage Assembly - Throttle (was p/n 1600351 which is not available as a service part. Use service replacement parts below.) ( <b>Note: Not Available for Purchase</b> )	
331A	7026884		Actuator & Electrical Connector Kit	
	7026835	1	Connector, Actuator	
331B	7026843		Linkage Kit	
	3600405	Ref.	<b>GEAR PUMP ASSEMBLY WITH FITTINGS</b>	A
401	2220385	2	Fitting, Tee	
402	2220479	2	Fitting, Straight	
403	2220810	2	Fitting, Reducer	
404	3600368	1	Gear Pump Assembly Less Fittings	
	7024962		Seal Kit - 3600368 Pump (Includes Soft Seals) <b>Note: Seal Kit is the only service part available.</b>	
405	4640744	2	Valve, Check	

# SECTION 2 TURNTABLE

## FIGURE 2-9. CATERPILLAR ENGINE INSTALLATION - WITH MECHANICAL DRIVEN COOLING FAN (WITHOUT UGM)



# SECTION 2 TURNTABLE



## SECTION 2 TURNTABLE

**FIGURE 2-9. CATERPILLAR ENGINE INSTALLATION - WITH MECHANICAL DRIVEN COOLING FAN (WITHOUT UGM)**

ITEM #	PART NUMBER	QTY.	DESCRIPTION	REV.
		Ref.	<b>NOTE: FOR MODULE IDENTIFICATION, REFER TO REVISION LOG PAGE A.</b>	
		Ref.	<b>CATERPILLAR ENGINE ASSEMBLY</b>	
	1001130447	Ref.	<b>Without Arctic Package</b>	B
	1001130446	Ref.	<b>With Arctic Package</b>	B
1	0760815	4	Bolt M8 x 35mm	
2	0080181	1	Adaptor, Pump Mounting Plate	
3	0080201	1	Elbow, Rubber	
4	0100011	A/R	Locking, Compound	
5	0100020	A/R	Sealant	
6	0340041	2	Band, Air Cleaner Mounting	
7	0340046	2	Band, Muffler Mounting	
8	0630569	8	Bolt M14 x 30mm	
9	0641406	13	Bolt 1/4in-20NC x 3/4in	
10	0641408	5	Bolt 1/4in-20NC x 1in	
11	0641410	1	Bolt 1/4in-20NC x 1-1/4in	
12	0641506	10	Bolt 5/16in-18NC x 3/4in	
13	0641507	4	Bolt 5/16in-18NC x 7/8in	
14	0641608	2	Bolt 3/8in-16NC x 1in	
15	0641610	34	Bolt 3/8in-16NC x 1-1/4in	
16	0641812	2	Bolt 1/2in13NC x 1-1/2in	
17	0641820	4	Bolt 1/2in-13NC x 2-1/2in	
18	0700808	4	Bolt M8 x 16mm	
19	1320058	1	Clamp	
20	1580011	1	Container, Overflow	
21	0741610	2	Screw, Countersunk 3/8in-16NC x 1-1/4in	
22	0962172	1	Bushing, Flanged	
23	1060904	1	Cable, Jumper	
24	1320012	4	Clamp	
25	1320016	4	Clamp	
26	1320022	4	Clamp	
27	1340060	1	Air Cleaner Assembly	
	7012664	1	Element, Air Cleaner	
28	3740080	1	Relay	
29	1660255	1	Pump, Coupling	
30	1703162	2	Decal - Fan Blade	
31	1001104689	1	Caterpillar Engine Assembly	
32	4031711	4	Bolt M6 x 35mm	
33	4460121	2	Terminal	
34 to 36	Not Used			
37	2220567	1	Fitting, 90°	
38 to 41	Not Used			
42	2221045	2	Fitting	
43	2720058	4in/10cm	Hose	
44	4569176	1	Tube, Air Intake	
45	4711400	A/R	Flatwasher 1/4in Thin	

## SECTION 2 TURNTABLE

**FIGURE 2-9. CATERPILLAR ENGINE INSTALLATION - WITH MECHANICAL DRIVEN COOLING FAN (WITHOUT UGM) (CONTINUED)**

ITEM #	PART NUMBER	QTY.	DESCRIPTION	REV.
46	2750532	6in/25cm	Hose	
47	2901880	1	Battery Cable Kit	E
47A	7016843	1	Cable - Battery to Starter Relay	
47B	7016835	1	Cable - Battery & Auxiliary Pump to Ground	
47C	7016834	1	Cable - Starter Relay to Starter	
47D	7016820	1	Cable - Auxiliary Relay to Auxiliary Pump	
48	3200378	4	Mount, Motor	
49		1	Muffler Options:	
	3220113		Spark Arresting Muffler	
	70001017	1	Clamp	
	1001107116		Catalytic Muffler	
	70002705	1	Clamp	
	70002706	1	Plug, Brass	
50	3300220	6	Nut, Washer	
51	4891500	4	Flatwasher 5/16in Hardened	
52	3311405	17	Locknut 1/4in-20NC	
53	3311505	6	Locknut 5/16in-18NC	
54	3311605	18	Locknut 3/8in-16NC	
55	3311805	4	Locknut 1/2in-13NC	
56	3340399	2	Pad, Wear	
57	1001100577	1	Hose, Radiator (Top)	
58	1001100818	1	Hose, Radiator (Bottom)	
59	3572502	1	Plate, Air Flow (Side)	
60	3572503	1	Plate, Air Flow (Top)	
61	1001100837	1	Bracket, Bottle	
62	3573667	1	Plate, Radiator Support	
63	3574253	1	Plate, Engine Mounting (Front)	
64	3574259	2	Plate, Engine Mounting (Rear)	
65	1001098525	1	Plate, Muffler Support	
66	3600423	1	Auxiliary Power Pump Assembly (See Figure 2-22 for Break-down)	
67	3600404	1	Piston Pump Assembly (See Figure 2-21 for Breakdown)	
68	3600405	1	Gear Pump Assembly With Fittings (See Items 401-405 for Breakdown)	
69	1001101201	1	Adapter, Fan Spacer	
70	3740067	3	Relay	
71	1001101408	1	Fan	
72	3790152	1	O-Ring	
73	3960389	6ft/2m	Seal	
74	4070497	4	Shim	
75	4070498	2	Shim	
76	1001101681	1	Elbow, Rubber	
77	4568743	1	Pipe, Exhaust	
78	1001101950	1	Tube, Air Intake	
79	Not Used			
80	4641272	1	Valve, Oil Drain	
81	4711500	8	Flatwasher 5/16in Thin	
82	4711600	18	Flatwasher 3/8in Thin	
83	4740274	4	Washer, Snubbing	



## SECTION 2 TURNTABLE

**FIGURE 2-9. CATERPILLAR ENGINE INSTALLATION - WITH MECHANICAL DRIVEN COOLING FAN (WITHOUT UGM) (CONTINUED)**

ITEM #	PART NUMBER	QTY.	DESCRIPTION	REV.
84	1001102706	1	Radiator	
	70004091	1	Shroud	
85	4751400	30	Flatwasher 1/4in Regular	
86	4751500	20	Flatwasher 5/16in Regular	
87	4751600	33	Flatwasher 3/8in Regular	
88	4751800	11	Flatwasher 1/2in Regular	
89	4846821	1	Mount, Motor/Generator	
90	4846852	1	Tray	
91	4891600	4	Flatwasher 3/8in Hardened	
92	4922737	1	Harness, Engine Grounding	
93	0641609	4	Bolt 3/8in-16NC x 1-1/8in	
94	0941611	2	Bolt 3/8in-16NC x 1-3/8in	
95	Not Used			
96	1001097588	1	Clamp, Tubing	
97	0641612	2	Bolt 3/8in-16NC x 1-1/2in	
98	4100025	19in/48cm	Sleeve, Fiberglass	
99	1001100825	2	Tie-Strap	
100	1001128125	1	Plate, Radiator Mount	
101 to 102	Not Used			
103	2720271	18in/46cm	Hose	
		Ref.	<b>Note: Following Items (Not Shown) Used on Arctic Package Machines Only.</b>	
	1702942	1	Decal, Engine Block Heater (Located at End of Heater Cord)	
	2580054	1	Heater, Engine Block	
	2300041	A/R	Fluid, Antifreeze 60/40 Arctic Antifreeze	
	3020044	A/R	Oil, Motor 0W-40	
		Ref.	<b>CATERPILLAR ENGINE INSTALLATION</b>	
	1001130547	Ref.	<b>Without Arctic Package</b>	A
	1001130546	Ref.	<b>With Arctic Package</b>	A
201	0100011	A/R	Locking, Compound	
202	0100020	A/R	Sealant	
203	Not Used			
204	0361810	1	Bar, Battery Hold-Down	
205	0400075	1	Battery	
206	0630541	2	Bolt, Battery	
207	0641616	3	Bolt 3/8in-16NC x 2in	
208	0642010	1	Bolt 5/8in-11NC x 1-1/4in	
209	1320022	7	Clamp	
210	1320223	1	J-Clip	
211	2180536	1	Fitting, Straight Barbed	
212	2200222	1	Plug	
213	2220250	1	Fitting, Reducer	
214	2220273	1	Fitting, Reducer	
215	2220313	1	Fitting, 90° Barbed	
216	2220459	1	Fitting, 90 °	
217	2220794	1	Fitting, Straight Barbed	

## SECTION 2 TURNTABLE

**FIGURE 2-9. CATERPILLAR ENGINE INSTALLATION - WITH MECHANICAL DRIVEN COOLING FAN (WITHOUT UGM) (CONTINUED)**

ITEM #	PART NUMBER	QTY.	DESCRIPTION	REV.
218	2720058	14ft/4.3m	Hose	
219	2720271	12ft/3.7m	Hose	
220	2750532	5ft/1.5m	Hose	
221	3311605	3	Locknut 3/8in-16NC	
222	3312005	1	Locknut 5/8in-11NC	
223	3900255	1	Screw, Shoulder	
224	3960469	1	Seal, Foam Gasket	
225	4751600	8	Flatwasher 3/8in Regular	
226	4752000	1	Flatwasher 5/8in Regular	
227	4752200	2	Flatwasher 3/4in Regular	
228	1701505	1	Decal - Diesel Fuel (Not Shown - See Section 8)	
229	0940049	2	Bumper, Hood	
230	0641410	4	Bolt 1/4in-20NC x 1-1/4in	
231	3311405	4	Locknut 1/4in-20NC	
232	3311501	4	Nut 5/16in-18NC	
233	3572504	1	Plate	
234	4751400	8	Flatwasher 1/4in Regular	
235	4751500	4	Flatwasher 5/16in Regular	
236	Not Used			
237	3340399	1	Pad, Wear	
238	4070497	2	Shim (11 Ga.)	
239	4070498	1	Shim (16Ga.)	
240	3960389	4ft/1.2m	Seal, Bulb	
241		2.7 Gal	Coolant, Anti-Freeze Options (Not Shown):	
	2300004		Without Arctic Package	
	2300041		With Arctic Package	
242	1001094608	2	Latch, Hood	
243	3290601	1	Nut M6 x 1	
244	3290501	1	Nut M5 x 0.8	
245	1001100857	1	Separator, Fuel/Water	
	70002378	1	O-Ring	
	70002377	1	Filter, Fuel	
246	1320318	2	Clamp	
247	4711400	5	Flatwasher 1/4in Thin	
248	0641405	2	Bolt 1/4in-20NC X 5/8in	
249	0641418	1	Bolt 1/4in-20NC x 2-1/4in	
		Ref.	<b>Note: Following Items (Not Shown) Used on Arctic Package Machines Only.</b>	
	1702944	1	Decal - Heater Cord	
	1060626	1	Cord, 3-Way Extension (Located on Left Front of Engine)	
	1702941	1	Decal - Battery Heater	
	2580024	1	Heater, Battery (Located on Battery)	
	1702943	1	Decal - Hydraulic Tank Heater	
	2580050	1	Heater, Hydraulic Tank	
	3980007	1	Seat, Battery (Located Under Battery)	

## SECTION 2 TURNTABLE

**FIGURE 2-9. CATERPILLAR ENGINE INSTALLATION - WITH MECHANICAL DRIVEN COOLING FAN (WITHOUT UGM) (CONTINUED)**

ITEM #	PART NUMBER	QTY.	DESCRIPTION	REV.
	1001104689	Ref.	<b>CATERPILLAR ENGINE COMPONENTS</b>	B
301	7026848	1	Breather, Valve	
	7026846	1	Gauze, Breather Valve	
302	7026847	4	Seal, Valve Cover Nut	
303	7026849	1	Gasket, Air Intake	
304	7026850	1	Seal, Valve Cover	
305	7026852	1	Flywheel with Starter Gear Set	
	7026853	1	Gear, Flywheel	
306	70001403	1	Filter, Oil	
307	7026860	1	Cap, Oil Fill	
	7026856	1	Seal, Oil Fill Cap	
308	7026858	1	Valve, Relief	
	7026857	1	Seal	
309	7026864	1	Pump, Water	
	7026863	1	Gasket, Water Pump (Fits Between Pump and Pump Rear Plate)	
	7026865	1	Gasket, Water Pump (Fits Between Pump Rear Plate and Engine Block)	
310	7026867	1	Thermostat	
	See Note	1	Regulator, Water ( <b>Note: Not Available for Purchase</b> )	
	7026866	1	Gasket (Fits Between Regulator and Engine Block)	
	7026868	1	Gasket, Thermostat (Fits Between Regulator and Hose Adapter)	
311	7026869	1	Gasket, Exhaust	
312	7026870	1	Gasket, Exhaust Manifold	
313	70001695	1	Filter Assembly	
	7026871	1	Element, Fuel Filter	
	7026872	2	Gasket, Fuel Filter Element	
314	7026873	1	Pump, Fuel Transfer	
	7026874	1	Seal,	
315	7026875	4	Injector, Fuel	
316	See Note	1	Pump, Fuel Injection ( <b>Note: Not Available for Purchase</b> )	
317	Use 70001990	1	Solenoid, Fuel Shut-Off (Note: P/N 70001990 includes adapter harness if required.)	
318	Use 70000544	1	<b>Alternator (Note: Not Available for Purchase)</b>	
	70000544		Alternator Conversion Kit (Includes Alternator, Adapter Harness, Alternator Bracket, Lever & Mounting Hardware)	
	70001180	1	Bolt, Lower Pivot	
	70001257	1	Bracket, Adjusting (Not Shown):	
319	7026878	4	Glowplug	
320	Use 1001097554	1	Switch, Oil Pressure	
321	7026840	1	Switch, Water Temperature	
	7026882	1	Seal, Sensor	
322	7026879	1	Starter	
323	7026854	1	Seal, Front Main (Not Shown - Located on Front of Engine Block)	
324	7026851	1	Seal, Rear Main (Not Shown - Located on Rear of Engine Block)	
325	7026880	1	Belt	

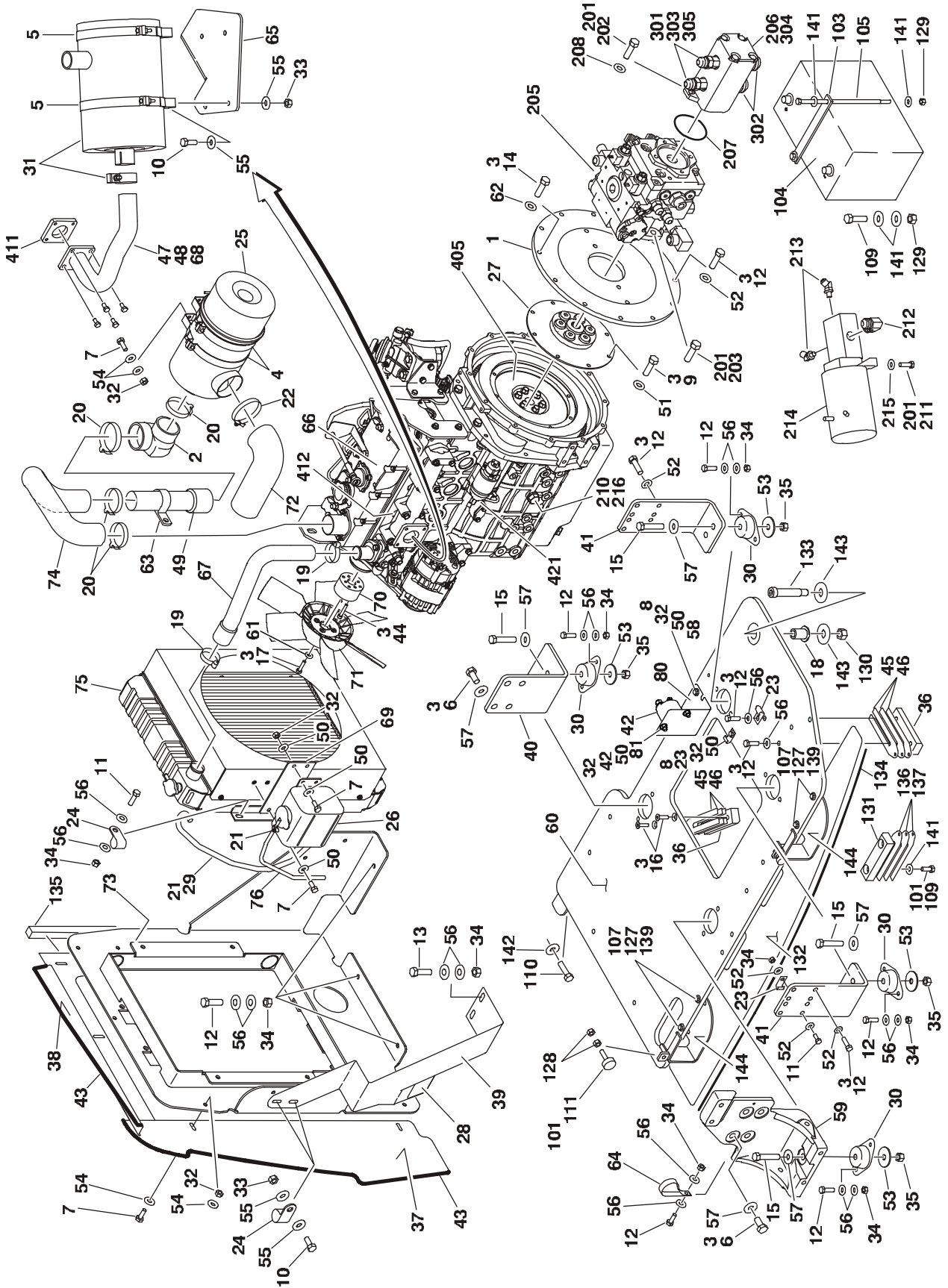
## SECTION 2 TURNTABLE

**FIGURE 2-9. CATERPILLAR ENGINE INSTALLATION - WITH MECHANICAL DRIVEN COOLING FAN (WITHOUT UGM) (CONTINUED)**

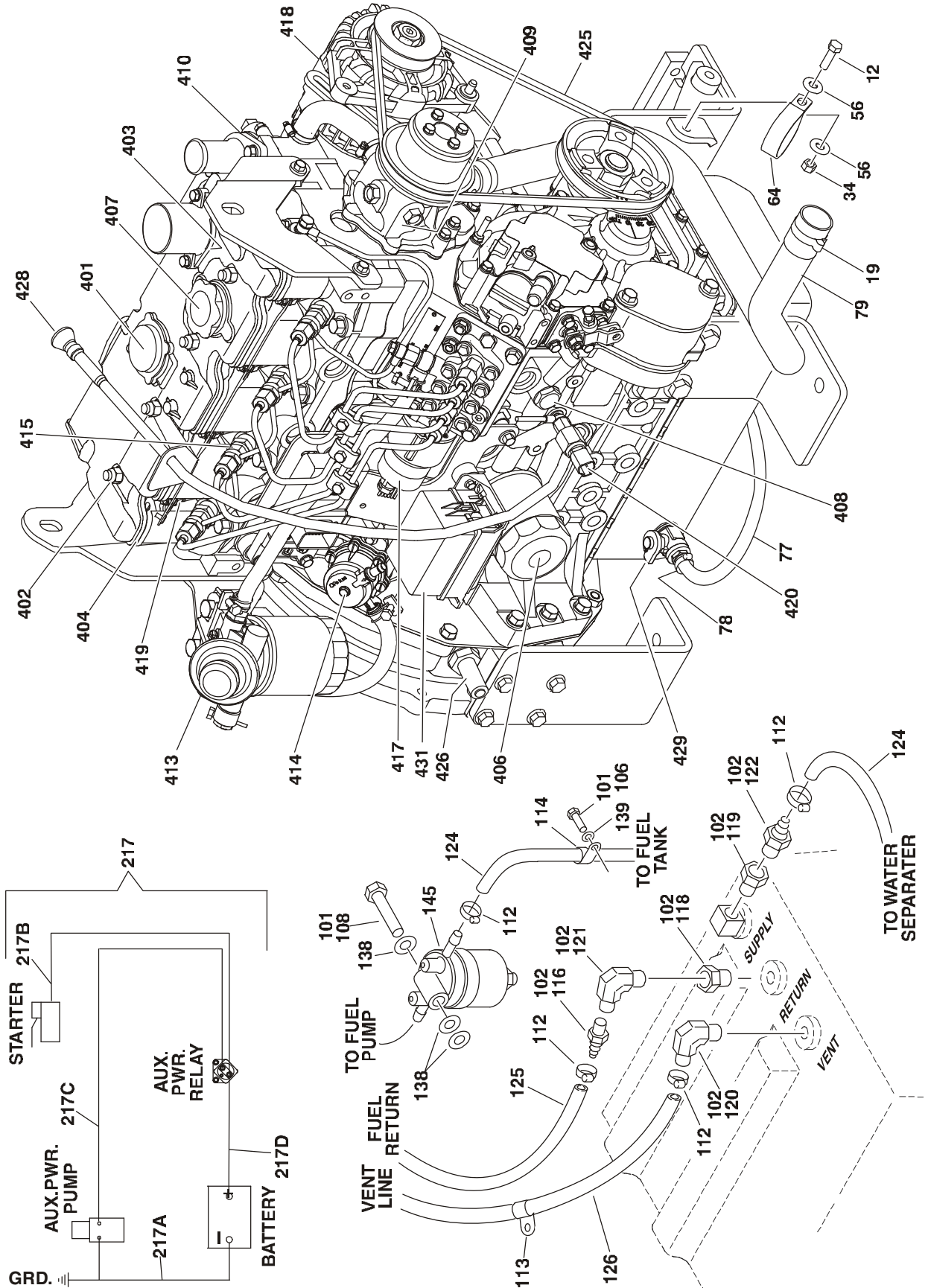
ITEM #	PART NUMBER	QTY.	DESCRIPTION	REV.
326	7026885	1	Dipstick Oil Level	
	7026886	1	Tube, Dipstick	
	7026881	1	O-Ring, Dipstick Tube	
327	7026861	1	Plug, Drain	
328	7026862	1	Gasket, Valve Bracket (Not Shown - Located on Between Valve Bracket & Head)	
329	7026859	1	Gasket, Oil Pan (Not Shown)	
330	7026883	1	Speed Sensor Kit	
	7026836	1	Connector, Speed Sensor	
331	See Note	1	Actuator/Linkage Assembly - Throttle (was p/n 1600351 which is not available as a service part. Use service replacement parts below.) <b>(Note: Not Available for Purchase)</b>	
331A	7026884		Actuator & Electrical Connector Kit	
	7026835	1	Connector, Actuator	
331B	7026843		Linkage Kit	
	3600405	Ref.	<b>GEAR PUMP ASSEMBLY WITH FITTINGS</b>	A
401	2220385	2	Fitting, Tee	
402	2220479	2	Fitting, Straight	
403	2220810	2	Fitting, Reducer	
404	3600368	1	Gear Pump Assembly Less Fittings	
	7024962		Seal Kit - 3600368 Pump (Includes Soft Seals) <b>Note: Seal Kit is only service part available.</b>	
405	4640744	2	Valve, Check	

# SECTION 2 TURNTABLE

## FIGURE 2-10. CATERPILLAR ENGINE INSTALLATION (WITH UGM)



# SECTION 2 TURNTABLE



## SECTION 2 TURNTABLE

**FIGURE 2-10. CATERPILLAR ENGINE INSTALLATION (WITH UGM)**

ITEM #	PART NUMBER	QTY.	DESCRIPTION	REV.
		Ref.	<b>NOTE: FOR MODULE IDENTIFICATION, REFER TO REVISION LOG PAGE A.</b>	
	1001106467	Ref.	<b>CATERPILLAR ENGINE ASSEMBLY</b>	E
1	0080181	1	Adaptor, Pump Mounting Plate	
2	0080201	1	Elbow, Rubber	
3	0100011	A/R	Locking, Compound	
4	0340041	2	Band, Air Cleaner Mounting	
5	0340046	2	Band, Muffler Mounting	
6	0630569	8	Bolt M14 x 30mm	
7	0641406	13	Bolt 1/4in-20NC x 3/4in	
8	0641408	5	Bolt 1/4in-20NC x 1in	
9	0641506	8	Bolt 5/16in-18NC x 3/4in	
10	0641507	6	Bolt 5/16in-18NC x 7/8in	
11	0641609	5	Bolt 3/8in-16NC x 1-1/8in	
12	0641610	32	Bolt 3/8in-16NC x 1-1/4in	
13	0641611	2	Bolt 3/8in-16NC x 1-3/8in	
14	0641614	2	Bolt 3/8in-16NC x 1-3/4in	
15	0641820	4	Bolt 1/2in-13NC x 2-1/2in	
16	0741610	2	Screw, Countersunk 3/8in-16NC x 1-1/4in	
17	0760815	4	Bolt M8 x 35mm	
18	0962172	1	Bushing, Flanged	
19	1320012	4	Clamp	
20	1320016	4	Clamp	
21	1320022	3	Clamp	
22	1320058	1	Clamp	
23	1320223	5	J-Clip	
24	1320318	2	Clamp	
25	1340060	1	Air Cleaner Assembly	
	7012664	1	Element, Air Cleaner	
26	1580011	1	Container, Overflow	
27	1660255	1	Pump, Coupling	
28	1703162	2	Decal - Fan Blade	
29	2720058	3ft/0.9m	Hose	
30	3200378	4	Mount, Motor	
31		1	Muffler Options:	
	3220113		Spark Arresting Muffler	
	70001017	1	Clamp	
	1001107116		Catalytic Muffler	
	70002705	1	Clamp	
	70002706	1	Plug, Brass	
32	3311405	A/R	Locknut 1/4in-20NC	
33	3311505	6	Locknut 5/16in-18NC	
34	3311605	19	Locknut 3/8in-16NC	
35	3311805	4	Locknut 1/2in-13NC	
36	3340399	2	Pad, Wear	
37	3572502	1	Plate, Air Flow (Side)	
38	3572503	1	Plate, Air Flow (Top)	

## SECTION 2 TURNTABLE

**FIGURE 2-10. CATERPILLAR ENGINE INSTALLATION (WITH UGM) (CONTINUED)**

ITEM #	PART NUMBER	QTY.	DESCRIPTION	REV.
39	3573667	1	Plate, Radiator Support	
40	3574253	1	Plate, Engine Mounting (Front)	
41	3574259	2	Plate, Engine Mounting (Rear)	
42	3740067	1	Relay	
43	3960438	6ft/1.8m	Seal, Self Gripping	
44	4031711	4	Bolt M6 x 35mm	
45	4070497	4	Shim	
46	4070498	2	Shim	
47	4100025	19in/48cm	Sleeve, Fiberglass	
48	4568743	1	Pipe, Exhaust	
49	4569176	1	Tube, Air Intake	
50	4711400	A/R	Flatwasher 1/4in Thin	
51	4711500	8	Flatwasher 5/16in Thin	
52	4711600	20	Flatwasher 3/8in Thin	
53	4740274	4	Washer, Snubbing	
54	4751400	18	Flatwasher 1/4in Regular	
55	4751500	12	Flatwasher 5/16in Regular	
56	4751600	38	Flatwasher 3/8in Regular	
57	4751800	12	Flatwasher 1/2in Regular	
58	4791400	2	Starwasher 1/4in (Prior to S/N 0300143951)	
59		1	Mount, Motor/Generator Options:	
	4846821		Prior to S/N 0300151953	
	1001102585		S/N 0300151953 to Present	
60	4846852	1	Weldment, Engine Tray	
61	4891500	4	Flatwasher 5/16in Hardened	
62	4891600	2	Flatwasher 3/8in Hardened	
63	85941018	1	Clamp	
64	1001097588	1	Clip, Tube	
65	1001098525		Plate, Muffler Support	
66	1001106426	1	Engine, Caterpillar C2.2	
67	1001100577	1	Hose, Radiator (Top)	
68	1001100825	2	Tie-Strap	
69	1001100837	1	Bracket, Bottle	
70	1001101201	1	Adapter, Fan Spacer	
71	1001101408	1	Fan	
72	1001101681	1	Elbow, Rubber	
73	1001101733	1	Mount, Radiator	
74	1001101950	1	Tube, Air Intake	
75	1001102706	1	Radiator	
76	2720271	18in/46cm	Hose	
77	2720615	6in/15cm	Hose	
78	8405006	1	Clamp	
79	1001100818	1	Hose, Radiator (Bottom)	
80	1001121115	1	Mount, Relay (S/N 0300143951 to Present)	
81	0641405	2	Bolt 1/4in-20NC X 5/8in (S/N 0300143951 to Present)	



## SECTION 2 TURNTABLE

**FIGURE 2-10. CATERPILLAR ENGINE INSTALLATION (WITH UGM) (CONTINUED)**

ITEM #	PART NUMBER	QTY.	DESCRIPTION	REV.
		Ref.	<b>CATERPILLAR ENGINE INSTALLATION</b>	
	1001106469	Ref.	<b>Without Arctic Package</b>	D
	1001106471	Ref.	<b>With Arctic Package</b>	B
101	0100011	A/R	Locking, Compound	
102	0100020	A/R	Sealant	
103	0361810	1	Bar, Battery Hold-Down	
104	0400075	1	Battery	
105	0630541	2	Bolt, Battery	
106	0641405	2	Bolt 1/4in-20NC x 5/8in	
107	0641410	4	Bolt 1/4in-20NC x 1-1/4in	
108	0641418	1	Bolt 1/4in-20NC x 2-1/4in	
109	0641616	3	Bolt 3/8in-16NC x 2in	
110	0642010	1	Bolt 5/8in-11NC x 1-1/4in	
111	0940049	2	Bumper, Hood	
112	1320022	7	Clamp	
113	1320223	1	J-Clip	
114	1320318	2	Clamp	
115	1701505	1	Decal - Diesel Fuel (Not Shown - See Section 8)	
116	2180536	1	Fitting, Straight Barbed	
117	2200222	1	Plug, Pipe (Not Shown - Located on Bottom of Fuel Tank)	
118	2220250	1	Fitting, Reducer	
119	2220273	1	Fitting, Reducer	
120	2220313	1	Fitting, 90° Barbed	
121	2220459	1	Fitting, 90°	
122	2220794	1	Fitting, Straight Barbed	
123		2.7 Gal	Coolant, Anti-Freeze Options (Not Shown):	
	2300004		Without Arctic Package	
	2300041		With Arctic Package	
124	2720058	14ft/4.3m	Hose	
125	2720271	12ft/3.7m	Hose	
126	2750532	5ft/1.5m	Hose	
127	3311405	4	Locknut 1/4in-20NC	
128	3311501	4	Nut 5/16in-18NC	
129	3311605	3	Locknut 3/8in-16NC	
130	3312005	1	Locknut 5/8in-11NC	
131	3340399	1	Pad, Wear	
132	3572504	1	Plate	
133	3900255	1	Screw, Shoulder	
134	3960389	4ft/1.2m	Seal, Bulb	
135	3960469	1	Seal, Foam Gasket	
136	4070497	2	Shim (11 Ga.)	
137	4070498	1	Shim (16Ga.)	
138	4711400	3	Flatwasher 1/4in Thin	
139	4751400	10	Flatwasher 1/4in Regular	
140	Not Used			
141	4751600	8	Flatwasher 3/8in Regular	
142	4752000	1	Flatwasher 5/8in Regular	
143	4752200	2	Flatwasher 3/4in Regular	

## SECTION 2 TURNTABLE

**FIGURE 2-10. CATERPILLAR ENGINE INSTALLATION (WITH UGM) (CONTINUED)**

ITEM #	PART NUMBER	QTY.	DESCRIPTION	REV.
144	1001094608	2	Latch, Hood	
145	1001100857	1	Separator, Fuel/Water	
	70002378	1	O-Ring	
	70002377	1	Filter, Fuel	
146	Not Used			
		Ref.	<b>Note: Following Items 147 &amp; 153 (Not Shown) Used on Arctic Package Machines Only.</b>	
147	1060626	1	Cord, 3-Way Extension (Located on Left Front of Engine)	
148	1702941	1	Decal - Battery Heater	
149	1702943	1	Decal - Hydraulic Tank Heater	
150	1702944	1	Decal - Heater Cord	
151	2580024	1	Heater, Battery (Located on Battery)	
152	2580050	1	Heater, Hydraulic Tank	
153	3980007	1	Seat, Battery (Located Under Battery)	
		Ref.	<b>ENGINE &amp; PUMPS SUB-ASSEMBLY</b>	
	1001106468	Ref.	<b>Without Arctic Package</b>	A
	1001106470	Ref.	<b>With Arctic Package</b>	A
201	0100011	A/R	Locking, Compound	
202	0641608	2	Bolt 3/8in-16NC x 1in	
203	0641812	2	Bolt 1/2in13NC x 1-1/2in	
204		2.5 Gal	Oil, Engine Options (Not Shown):	
	3020016		Without Arctic Package (15W-40)	
	3020044		With Arctic Package (0W-40)	
205	3600404	1	Piston Pump Assembly (See Figure 2-21 for Breakdown)	
206	3600405	1	Gear Pump Assembly With Fittings (See Items 301-305 for Breakdown)	
207	3790152	1	O-Ring	
208	4891600	2	Flatwasher 3/8in Hardened	
209	Not Used			
210	0630569	1	Bolt M14 x 30mm	
211	0641610	2	Bolt 3/8in-16NC x 1-1/4in	
212	2220567	1	Fitting, 90°	
213	2221045	2	Fitting	
214	3600423	1	Auxiliary Power Pump Assembly (See Figure 2-22 for Breakdown)	
215	4751600	2	Flatwasher 3/8in Regular	
216	4751800	1	Flatwasher 1/2in Regular	
217	1001102859	1	Battery Cable Kit	B
217A	7027022	1	Cable - Battery & Auxiliary Pump to Ground (Includes Black Boot at Battery Terminal)	
217B	7027024	1	Cable - Auxiliary Power Relay to Starter	
217C	7027023	1	Cable - Auxiliary Power Relay to Auxiliary Pump	
217D	7027021	1	Cable - Battery to Relays (Includes Red Boot at Battery Terminal)	
		Ref.	<b>Note: Following Items 218 &amp; 219 (Not Shown) Used on Arctic Package Machines Only.</b>	
218	1702942	1	Decal - Engine Block Heater (Located on Right Side of Engine)	
219	2580054	1	Heater, Engine Block (Located on Right Side of Engine)	

## SECTION 2 TURNTABLE

**FIGURE 2-10. CATERPILLAR ENGINE INSTALLATION (WITH UGM) (CONTINUED)**

ITEM #	PART NUMBER	QTY.	DESCRIPTION	REV.
	3600405	Ref.	<b>GEAR PUMP ASSEMBLY WITH FITTINGS</b>	A
301	2220385	2	Fitting, Tee	
302	2220479	2	Fitting, Straight	
303	2220810	2	Fitting, Reducer	
304	3600368	1	Gear Pump Assembly Less Fittings	
	7024962		Seal Kit - 3600368 Pump (Includes Soft Seals) <b>Note: Seal Kit is only service part available.</b>	
305	4640744	2	Valve, Check	
	1001106426	Ref.	<b>CATERPILLAR ENGINE COMPONENTS</b>	C
401	7026848	1	Valve, Breather	
	7026846	1	Gauze, Breather Valve	
402	7026847	4	Seal, Valve Cover Nut	
403	7026849	1	Gasket, Air Intake	
404	7026850	1	Seal, Valve Cover	
405	7026852	1	Flywheel with Starter Gear Set	
	7026853	1	Gear, Rim	
	7026851	1	Seal, Rear Main (Not Shown)	
406	Use 70001403	1	Filter, Oil (was p/n 7026855)	
407	7026860	1	Cap, Oil Fill	
	7026856	1	Seal, Oil Fill Cap	
408	7026858	1	Valve, Relief	
	7026857	1	Seal	
409	7026864	1	Pump, Water	
	7026863	1	Gasket, Water Pump (Fits Between Pump and Pump Rear Plate)	
	7026865	1	Gasket, Water Pump (Fits Between Pump Rear Plate and Engine Block)	
410	7026867	1	Thermostat	
	7026866	1	Gasket (Fits Between Regulator & Engine Block)	
	7026868	1	Gasket (Fits Between Regulator & Hose Adapter)	
411	7026869	1	Gasket, Exhaust	
412	7026870	1	Gasket, Exhaust Manifold	
413	70003758	1	Filter Assembly	
	Use 70003791	2	Element, Fuel Filter (was p/n 7026871)	
	7026872	2	Gasket, Fuel Filter Element	
414	7026873	1	Pump, Fuel Transfer	
	7026874	1	Seal	
415	7026875	4	Injector, Fuel	
416	Not Used			
417	70003541	1	Actuator	
418	70003768	1	Alternator	
419	7026878	4	Glowplug	
420	70003759	1	Switch, Oil Pressure	
	70003760	1	Adapter, Oil Pressure Switch	
421	70003769	1	Starter	
422	7026854	1	Seal, Front Main (Not Shown)	
423	7026859	1	Gasket, Oil Pan (Not Shown)	

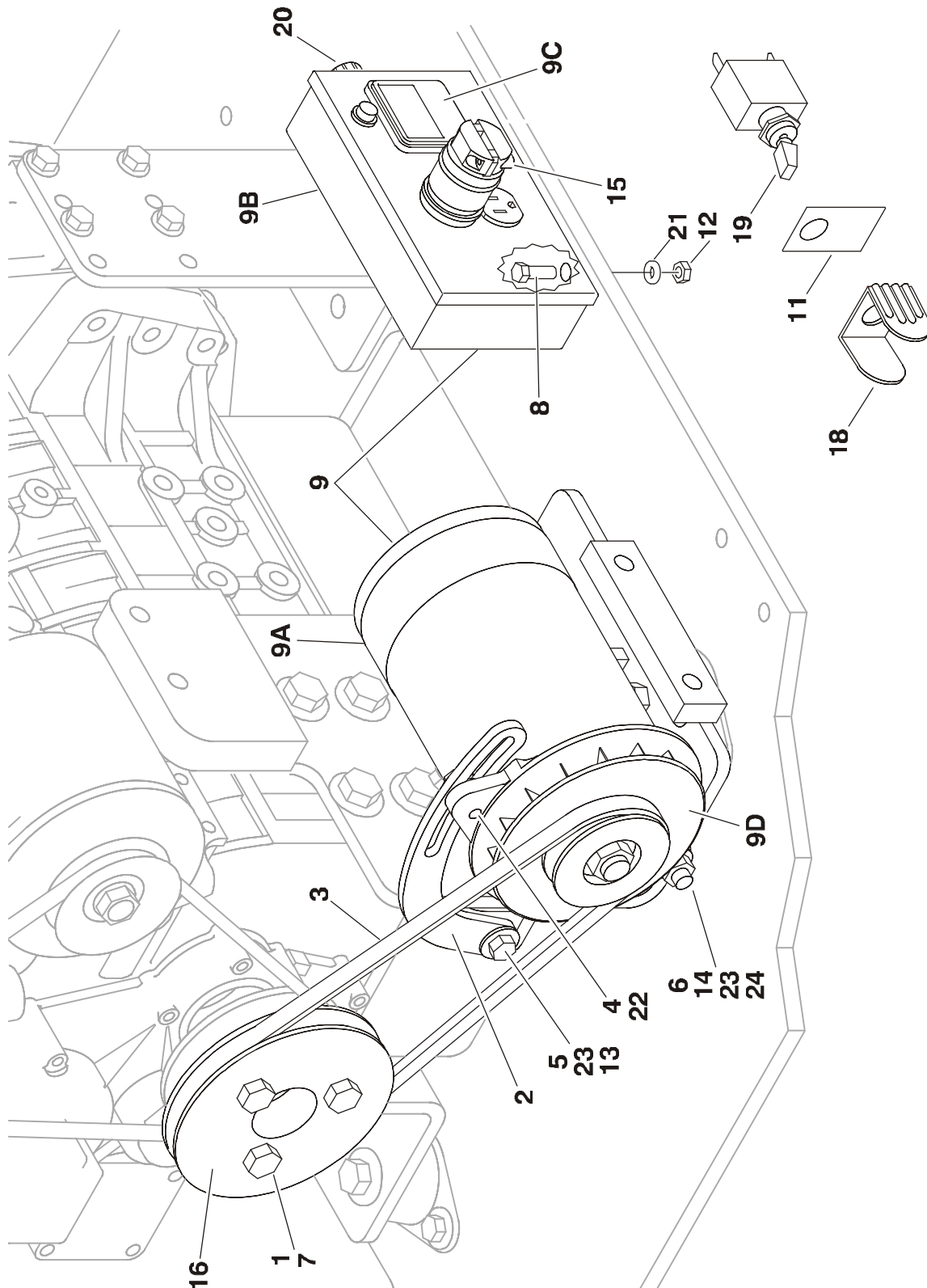
**SECTION 2 TURNTABLE**

**FIGURE 2-10. CATERPILLAR ENGINE INSTALLATION (WITH UGM) (CONTINUED)**

ITEM #	PART NUMBER	QTY.	DESCRIPTION	REV.
424	7026862	1	Gasket, Valve Bracket (Not Shown - Located Between Valve Bracket & Cylinder Head)	
425	70003761	1	Belt	
426	70003762	1	Sensor, Speed	
	70003766	1	Sensor, Speed	
427	70003765	1	Sensor, Temperature (Not Shown)	
428	70003763	1	Dipstick	
	70003764	1	Tube, Dipstick	
429	4641272	1	Valve, Oil Drain	
	7026861	1	Seal, Oil Drain Valve	
430	70003767	1	Harness, Engine (Not Shown)	
431	70003770	1	ECM	

## SECTION 2 TURNTABLE

FIGURE 2-11. 2500W GENERATOR INSTALLATION - CATERPILLAR MACHINES (OPTIONAL)



MOUNTED ON PLATFORM CONTROL BOX.

## SECTION 2 TURNTABLE

**FIGURE 2-11. 2500W GENERATOR INSTALLATION - CATERPILLAR MACHINES (OPTIONAL)**

ITEM #	PART NUMBER	QTY.	DESCRIPTION	REV.
		Ref.	<b>GENERATOR INSTALLATION</b>	
		Ref.	<b>110V/60Hz Generator (ANSI &amp; ANSI Export Specs) Options:</b>	
	0274084	Ref.	<b>Without UGM</b>	C
	100111285	Ref.	<b>With UGM</b>	A
	0273051	Ref.	<b>220V/50HZ Generator (ANSI Export, Australian &amp; CE Specs)</b>	B
		Ref.	<b>Note: Refer to Sky Power Accessories Manual p/n 3124242 for the Miller 7500W Generator.</b>	
		Ref.	<b>Note: Aftermarket installation kit not available. Use items with (^) for 220V Generator.</b>	
1	0100011	A/R	Locking, Compound	
2	0200742*^	1	Arm, Adjusting	
3		1	V-Belt Options:	
	0480122*		110V (S/N 0300096000 to S/N 0300116099)	
	0480121*		110V (S/N 0300116099 to Present)	
	0480120^		220V	
4	0641508*^	1	Bolt 5/16in-18NC x 1in	
5	0641610^	1	Bolt 3/8in-16NC x 1-1/4in	
6	0641772*^	1	Bolt 7/16in-14NC x 9in	
7	0701217*^	3	Bolt, Metric 12mm x 45mm	
8	0721008*^	2	Bolt #10-24NC x 1in	
9		1	Generator and Control Box Assembly Options:	
	2460055*		110Volts/60Hz Assembly	
	2460013^		220V/50Hz Assembly	
9A	7012558	1	Generator Only - 110V/60Hz	
	1001100321	1	Generator Only - 220V/50Hz	
		Ref.	<b>Note: Replacement Generators come standard with p/n 3580134 pulley. This pulley may not be correct for all applications. Refer to pulley options below.</b>	
		1	Armature with Slip Rings Options:	
	7026199		Armature with Slip Rings - 110V/60Hz	
	70000123		Armature with Slip Rings - 220V/50Hz	
	7012513	4	Cap, Brush Holder	
	7020108	4	Brush	
	7020109	4	Holder, Brush	
	7012514	1	Fan	
	7020110	1	Bell, Front	
	7020111	1	Bell, Rear	
	7020190	2	Bearing	
	7020193	1	Cord, Power	
9B	7019680	1	Box, Control - 110V/60Hz	
	70002235	1	Box, Control - 220V/50Hz	
		A/R	Receptacle Options:	
	4460190	1	Receptacle, Standard (110V Only)	
	4460027	1	Receptacle, Twistlock (110V Only)	
	70000124	1	Receptacle, Double (220V/50Hz Only)	
	70000125	1	Receptacle, Single (220V/50Hz Only)	
		1	Breaker, Circuit Options:	
	4360542		Breaker 110V/60Hz	

## SECTION 2 TURNTABLE

**FIGURE 2-11. 2500W GENERATOR INSTALLATION - CATERPILLAR MACHINES (OPTIONAL)  
(CONTINUED)**

ITEM #	PART NUMBER	QTY.	DESCRIPTION	REV.
9B (cont'd)	70000126		Breaker 220V/50Hz	
	3520028	1	Plug, Hole	
	2920162	1	Lamp Assembly (Not Required on 2460055 Generator Assembly)	
	7020191	1	Switch, Toggle (Not Required on 2460055 Generator Assembly)	
9C		1	Voltmeter Options:	
	2420203		Voltmeter - 110V	
	7020192		Voltmeter - 220V	
9D		1	Pulley Options:	
	3580276		Pulley - 60Hz	
	3580134		Pulley - 50Hz	
	7027887	1	Key, Woodruff	
10	2820031	1	Heatshrink (Not Shown - Located at Platform)	
11	3251102^	1	Decal (Located at Platform)	
12	3311005*^	2	Locknut #10-24NC	
13	3311605^	1	Locknut 3/8in-16NC	
14	3311705*^	1	Locknut 7/16in-14NC	
15	3520028*^	1	Plug, Hole	
16	3580315*^	1	Pulley	
17	3740080*^	1	Relay (Not Shown - Located Back Side of Engine Tray with Existing Relays)	
18	4060802^	1	Guard, Switch (Located at Platform)	
19	4360336^	1	Switch, Toggle (Located at Platform)	
20	4460023^	1	Connector, Strain Relief	
21	4751000*^	A/R	Flatwasher #10 Regular	
22	4751500*^	1	Flatwasher 5/16in Regular	
23	4751600^	6	Flatwasher 3/8in Regular	
24	4751700*^	4	Flatwasher 7/16in Regular	
	1001097327	1	Generator Engine Parts Kit (Includes Items with (*) for 110V Generator.	

**SECTION 2 TURNTABLE**

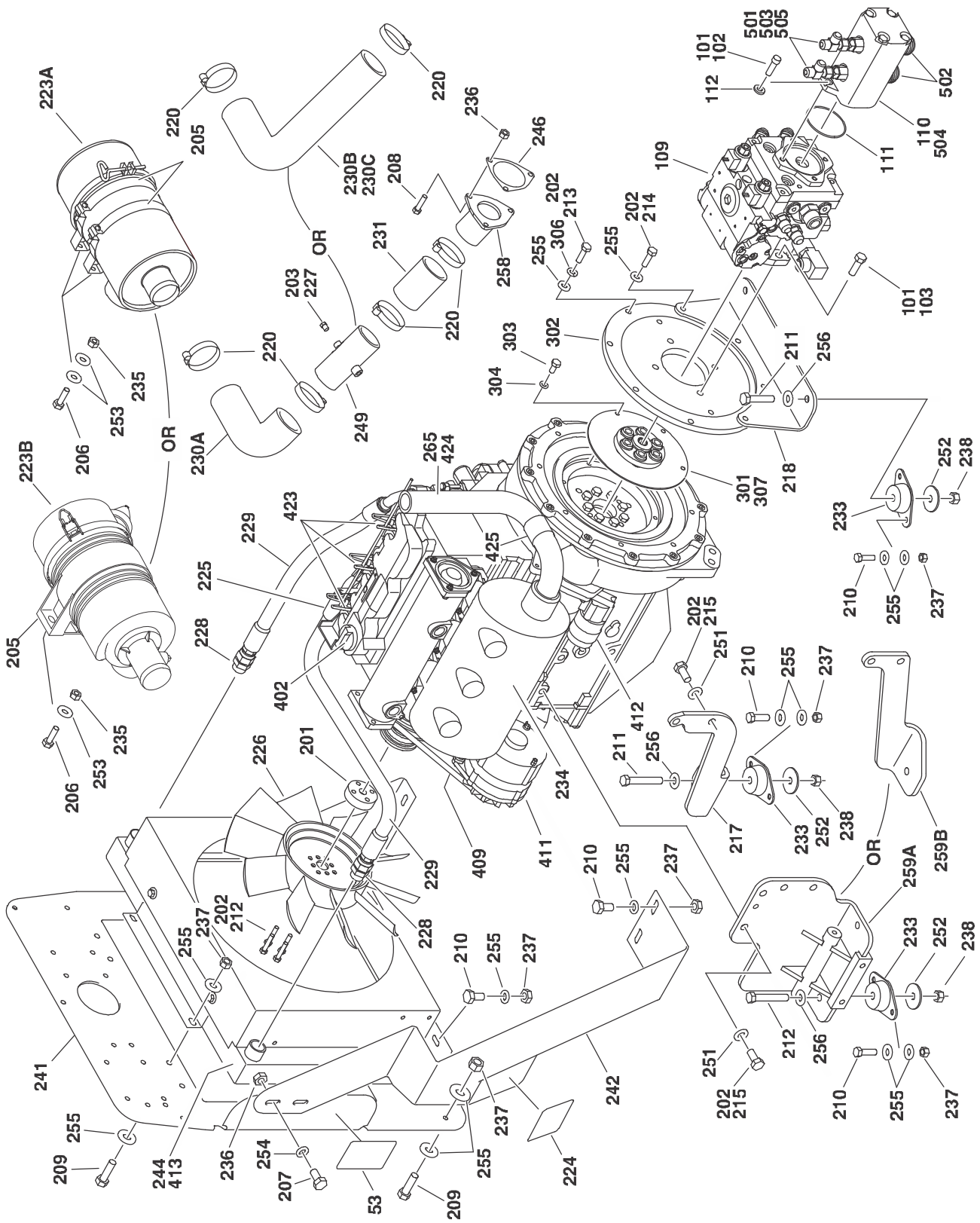
**FIGURE 2-11. 2500W GENERATOR INSTALLATION - CATERPILLAR MACHINES (OPTIONAL)  
(CONTINUED)**

ITEM #	PART NUMBER	QTY.	DESCRIPTION	REV.

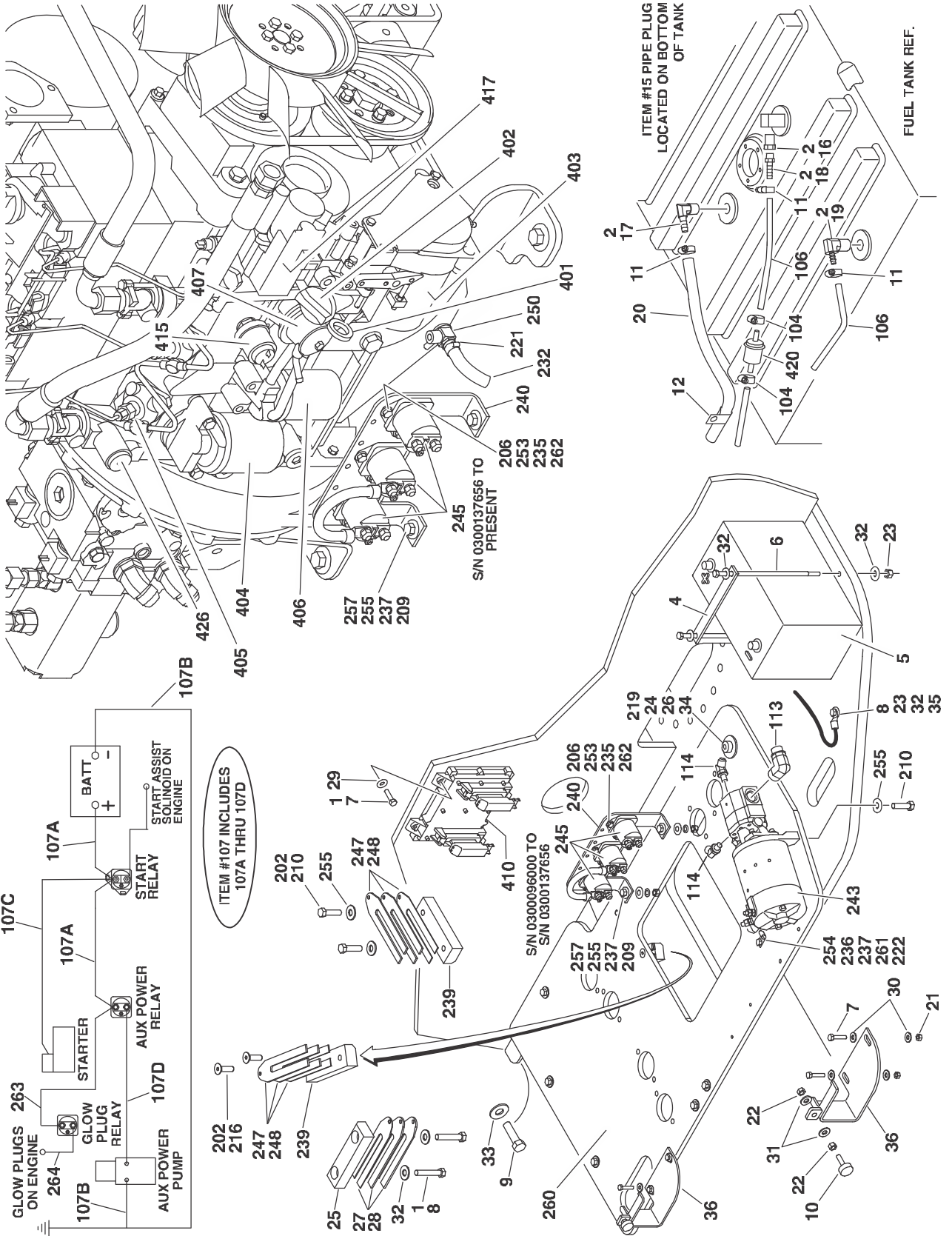


# SECTION 2 TURNTABLE

## FIGURE 2-12. DEUTZ ENGINE INSTALLATION



# SECTION 2 TURNTABLE



## SECTION 2 TURNTABLE

**FIGURE 2-12. DEUTZ ENGINE INSTALLATION**

ITEM #	PART NUMBER	QTY.	DESCRIPTION	REV.
		Ref.	<b>DEUTZ ENGINE INSTALLATIONS</b>	
			<b>Without Arctic Package</b>	
	0274334	Ref.	<b>ANSI Export, CE, Australian &amp; Japanese Specs</b>	J
	0274334	Ref.	<b>ANSI &amp; CSA Specs (Prior to S/N 0300169776)</b>	J
	1001137831	Ref.	<b>ANSI &amp; CSA Specs (S/N 0300169776 to Present)</b>	C
			<b>With Arctic Package</b>	
	1001093894	Ref.	<b>ANSI Export, CE, Australian &amp; Japanese Specs</b>	H
	1001093894	Ref.	<b>ANSI &amp; CSA Specs (Prior to S/N 0300169776)</b>	H
	1001137834	Ref.	<b>ANSI &amp; CSA Specs (S/N 0300169776 to Present)</b>	C
1	0100011	A/R	Locking, Compound	
2	0100020	A/R	Sealant, Pipe	
3	Not Used			
4	0361810	1	Bar, Battery Hold-Down	
5	0400075	1	Battery	
6	0630541	2	Bolt, Battery	
7	0641410	4	Bolt 1/4in-20NC x 1-1/4in	
8	0641616	3	Bolt 3/8in-16NC x 2in	
9	0642010	1	Bolt 5/8in-11NC x 1-1/4in	
10	0940049	2	Bumper, Hood	
11	1320022	3	Clamp	
12	1320223	1	J-Clip (Not Shown - Located on Fuel Vent Line)	
13	1701505	1	Decal - Diesel Fuel (Not Shown - See Section 8 for Location)	
14	Not Used			
15	2200222	1	Plug, Pipe (Not Shown - Located on Bottom of Fuel Tank)	
16		1	Fitting Options:	
	2220273		Fitting, Reducer (Prior to S/N 0300171436)	
	2180348		Fitting, Straight Barbed (S/N 0300171436 to Present)	
17	2220313	1	Fitting, 90° Barbed	
18	2220794	1	Fitting, Straight Barbed (Prior to S/N 0300171436)	
19	2221176	1	Fitting, 90°	
20	2750532	5ft/1.5m	Hose	
21	3311405	4	Locknut 1/4in-20NC	
22	3311501	4	Nut 5/16in-18NC	
23	3311605	3	Locknut 3/8in-16NC	
24	3312005	1	Locknut 5/8in-11NC	
25	3340399	1	Pad, Wear	
26	3900255	1	Bolt, Shoulder	
27	4070498	1	Shim (16Ga.)	
28	4070497	2	Shim (11 Ga.)	
29	4711400	4	Flatwasher 1/4in Thin	
30	4751400	8	Flatwasher 1/4in Regular	
31	4751500	4	Flatwasher 5/16in Regular (S/N 0300096000 to S/N 0300137656 Only)	
32	4751600	8	Flatwasher 3/8in Regular	
33	4752000	1	Flatwasher 5/8in Regular	
34	4752200	2	Flatwasher 3/4in Regular	
35	4791600	1	Starwasher 3/8in	

## SECTION 2 TURNTABLE

**FIGURE 2-12. DEUTZ ENGINE INSTALLATION (CONTINUED)**

ITEM #	PART NUMBER	QTY.	DESCRIPTION	REV.
36	Use 1001094608	2	Latch, Hood Options: S/N 0300096000 to S/N 0300133983 (was p/n 4846096) S/N 0300133983 to Present	
37 to 52	1001094608			
53	Not Used			
	1704972	1	Decal - Warning Explosion/Fire Options: ANSI English	
	1706098		Australian & CE	
	1706064		CSA	
	1706060		English/Chinese	
	1706061		English/Korean	
	1706062		English/Japanese	
	1706059		English/Portuguese	
	1706063		English/Spanish	
		Ref.	<b>Note: Following Items (Not Shown) Used on Arctic Package Machines Only.</b>	
	1060626	1	Cord, 3 Way Extension	
	2580024	1	Heater, Battery (Located on Battery)	
	2580050	1	Heater, Hydraulic Tank (Located on bottom of Hydraulic Oil Tank)	
	3980007	1	Seat, Battery (Located Under Battery)	
	1702941	1	Decal - Battery Heater (Located on Battery Heater)	
	1702942	1	Decal - Engine Block Heater (Located on Right Side of Engine)	
	1702943	1	Decal - Hydraulic Tank Heater (Located on bottom of Hydraulic Oil Tank)	
	1702944	1	Decal - Heater Cord	
		Ref.	<b>ENGINE &amp; PUMPS SUB-ASSEMBLY</b>	
			<b>Without Arctic Package</b>	
	2000286	Ref.	<b>All Specs (S/N 030096000 to S/N 0300161285)</b>	I
	1001143873	Ref.	<b>ANSI Export, CE, Australian &amp; Japanese Specs (S/N 0300161285 to Present)</b>	B
	1001143873	Ref.	<b>ANSI &amp; CSA Specs (S/N 0300161285 to S/N 0300169776)</b>	B
	1001137830	Ref.	<b>ANSI &amp; CSA Specs (S/N 0300169776 to Present)</b>	B
			<b>With Arctic Package</b>	
	1001093895	Ref.	<b>All Specs (S/N 030096000 to S/N 0300161285)</b>	G
	1001143875	Ref.	<b>ANSI Export, CE, Australian &amp; Japanese Specs (S/N 0300161285 to Present)</b>	B
	1001143875	Ref.	<b>ANSI &amp; CSA Specs (S/N 0300161285 to S/N 0300169776)</b>	B
	1001137833	Ref.	<b>ANSI &amp; CSA Specs (S/N 0300169776 to Present)</b>	B
101	0100011	A/R	Locking, Compound	
102	3931616	2	Bolt 3/8in-16NC x 1in	
103	0641812	2	Bolt 1/2in-13NC x 1-1/2in	
104	1320022	2	Clamp	
105	Not Used			
106	2720058	20ft/6m	Hose	
107	2901880	1	Battery Cable Kit	E
107A	7016843	1	Cable - Battery to Starter & Auxiliary Relays (Includes Red Boot at Battery Terminal)	

## SECTION 2 TURNTABLE

**FIGURE 2-12. DEUTZ ENGINE INSTALLATION (CONTINUED)**

ITEM #	PART NUMBER	QTY.	DESCRIPTION	REV.
107B	7016835	1	Cable - Battery & Auxiliary Pump to Ground (Includes Red Boot at Battery Terminal)	
107C	7016834	1	Cable - Starter Relay to Starter	
107D	7016820	1	Cable - Auxiliary Relay to Auxiliary Pump	
108	Not Used			
109	3600404	1	Piston Pump Assembly with Fittings (See Figure 2-21 for Breakdown):	
110	3600405	1	Gear Pump Assembly with Fittings (See Items 501-505 for Breakdown)	
111	3790152	1	O-Ring	
112	4891600	2	Flatwasher 3/8in Hardened	
113	2220567	1	Fitting, 90°	
114	2221045	2	Fitting, 45°	
		Ref.	<b>ENGINE ASSEMBLY</b>	
			<b>Without Arctic Package</b>	
	2000347	Ref.	<b>All Specs (S/N 030096000 to S/N 0300161285)</b>	N
	1001143872	Ref.	<b>ANSI Export, CE, Australian &amp; Japanese Specs (S/N 0300161285 to Present)</b>	D
	1001143872	Ref.	<b>ANSI &amp; CSA Specs (S/N 0300161285 to S/N 0300169776)</b>	D
	1001137829	Ref.	<b>ANSI &amp; CSA Specs (S/N 0300169776 to Present)</b>	C
			<b>With Arctic Package</b>	
	1001093896	Ref.	<b>All Specs (S/N 030096000 to S/N 0300161285)</b>	G
	1001143874	Ref.	<b>ANSI Export, CE, Australian &amp; Japanese Specs (S/N 0300161285 to Present)</b>	D
	1001143874	Ref.	<b>ANSI &amp; CSA Specs (S/N 0300161285 to S/N 0300169776)</b>	D
	1001137832	Ref.	<b>ANSI &amp; CSA Specs (S/N 0300169776 to Present)</b>	A
201	0080231	1	Adapter, Fan Spacer	
202	0100011	A/R	Locking, Compound	
203	0100020	A/R	Sealant, Pipe (S/N 0300096000 to S/N 0300161285)	
204	Not Used			
205		A/R	Hardware, Air Cleaner	
	0340041	2	Band, Air Cleaner (S/N 0300096000 to S/N 0300161285)	
	1001141694	1	Clamp, Air Cleaner (S/N 0300161285 to Present)	
206	0641406	A/R	Bolt 1/4in-20NC x 3/4in	
	0641409	A/R	Bolt 1/4in-20NC x 1 1/8in	
207	0641507	2	Bolt 5/16in-18NC x 7/8in	
208	0641510	A/R	Bolt 5/16in-18NC x 1-1/4in	
	0641512	A/R	Bolt 5/16in-18NC x 1-1/2in	
	0641511	A/R	Bolt 5/16in-18NC x 1-3/8in	
209	0641609	A/R	Bolt 3/8in-16NC x 1-1/8in	
	0641610	A/R	Bolt 3/8in-16NC x 1-1/4in	
210	0641611	A/R	Bolt 3/8in-16NC x 1-3/8in	
	0641610	A/R	Bolt 3/8in-16NC x 1-1/4in	
211	0641820	4	Bolt 1/2in-13NC x 2-1/2in	
212	0700816	4	Bolt 8mm x 40mm	
213	0771012	4	Bolt 10mm x 25mm	
214	0711014	4	Bolt 10mm x 30mm	
215	0711414	A/R	Bolt 14mm x 30mm	

## SECTION 2 TURNTABLE

**FIGURE 2-12. DEUTZ ENGINE INSTALLATION (CONTINUED)**

ITEM #	PART NUMBER	QTY.	DESCRIPTION	REV.
216	0741610	2	Screw, Countersunk 3/8in-16NC x 1-1/4in	
217	0902740	1	Bracket, Engine Mounting (Right Side)	
218	0903063	1	Plate, Engine, Mounting	
219	0962172	1	Bushing, Flanged	
220	1320016	A/R	Clamp, Hose	
221	1320022	1	Clamp, Hose (S/N 0300096000 to S/N 0300161285 Only)	
222	1320223	1	J-Clip	
223		1	Air Cleaner Assembly Including Filter Element Options:	
223A	1340060	1	Air Cleaner Assembly (S/N 0300096000 to S/N 0300161285)	
	7012664	1	Element, Filter (Not Shown)	
223B	1001141693	1	Air Cleaner Assembly (S/N 0300161285 to Present)	
	70003783	1	Element, Filter (Not Shown)	
224	1703162	2	Decal - Caution Fan Blade	
225		1	Engine, Deutz Options:	
	2000338		All Specs (S/N 0300096000 to S/N 0300106863) (F3M2011)	
	1001092723		All Specs (S/N 0300106863 to S/N 0300161285) (D2011L03)	
	1001144476		ANSI Export, CE, Australian & Japanese Specs (S/N 0300161285 to Present) (D2011L03)	
	1001144476		ANSI & CSA Specs (S/N 0300161285 to S/N 0300169776) (D2011L03)	
	1001137828		ANSI & CSA Specs (S/N 0300169776 to Present) (D2011L03)	
226	2060025	1	Fan	
227	2200221	1	Plug (S/N 0300096000 to S/N 0300106863 Only)	
228	2220451	2	Fitting, Straight	
229	2720398	2	Hose, Oil Cooler	
230		1	Elbow, Rubber Options:	
230A	2720434		S/N 0300096000 to S/N 0300106863	
230B	1001091179		S/N 0300106863 to S/N 0300161285	
230C	1001140334		S/N 0300161285 to Present	
231	2720449	1	Hose, Air Cleaner (S/N 0300096000 to S/N 0300106863 Only)	
232		A/R	Hose, Oil Drain Options:	
	2750532	1ft/30cm	S/N 0300096000 to S/N 0300140524	
	1001091892	6in/15cm	S/N 0300140524 to S/N 0300141405	
	2750532	1ft/30cm	S/N 0300141405 to S/N 0300161285	
	Not Required	0	S/N 0300161285 to Present	
233	3200406	4	Mount, Motor	
234		1	Muffler Options:	
	3220110		Standard Muffler (S/N 0300096000 to S/N 0300106863)	
	1001141708		Standard Muffler (S/N 0300106863 to S/N 0300161285)	
	7020455		Standard Muffler (S/N 0300161285 to Present)	
	70001844	1	Clamp	
	3220112		Optional Catalytic Muffler	
	1320176	1	Clamp	
235	3311405	A/R	Locknut 1/4in-20NC	
236	3311505	5	Locknut 5/16in-18NC	

## SECTION 2 TURNTABLE

FIGURE 2-12. DEUTZ ENGINE INSTALLATION (CONTINUED)

ITEM #	PART NUMBER	QTY.	DESCRIPTION	REV.
237	3311605	A/R	Locknut 3/8in-16NC	
238	3311805	4	Locknut 1/2in-13NC	
239	3340399	2	Pad, Wear	
240	3570808	1	Plate, Relay Mounting	
241		1	Plate, Radiator Mounting Options:	
	3571692		S/N 0300096000 to S/N 0300161285	
	1001142826		S/N 0300161285 to Present	
242	3573667	1	Support, Radiator	
243		1	Auxiliary Power Pump Assembly Options (See Figure 2-22 for Breakdown):	
	Use 3600423		S/N 0300096000 to S/N 0300105249 (was p/n 3600279)	
	3600423		S/N 0300105249 to Present	
244		1	Radiator	
	3620033		Prior to S/N 0300171436	
	1001150998		S/N 0300171436 to Present	
245	3740067	3	Relay	
246	3960407	1	Gasket, Air Intake	
247	4070497	4	Shim (11 Ga.)	
248	4070498	2	Shim (16 Ga.)	
249	4567495	1	Tube, Tee (S/N 0300096000 to S/N 0300106863 Only)	
250		1	Valve, Oil Drain Options:	
	4640751		S/N 0300096000 to S/N 0300140524	
	1001104308		S/N 0300140524 to S/N 0300141405	
	4640751		S/N 0300141405 to S/N 0300161285	
	Not Required		S/N 0300161285 to Present	
251	4812200	A/R	Flatwasher 14mm	
252	4740274	4	Washer, Snubbing	
253	4751400	8	Flatwasher 1/4in Regular	
	4711400	6	Flatwasher 1/4in Thin	
254	4751500	5	Flatwasher 5/16in Regular	
255	4751600	44	Flatwasher 3/8in Regular	
256	4751800	4	Flatwasher 1/2in Regular	
257	4791600	2	Starwasher 3/8in	
258		1	Plate, Adapter Options:	
	4845395		S/N 0300096000 to S/N 0300161285	
	1001139819		S/N 0300161285 to Present	
259		1	Bracket, Engine Mounting (Left Side) Options:	
259A	4846567		All Machines S/N 0300096000 to S/N 0300161285	
		Ref.	<b>(Note: Bracket p/n 1001138135 may be used as an optional service replacement if no generator mounting capability is required.</b>	
259A	4846567		Machines with Generator	
259B	1001138135		Machines without Generator	
260	4846809	1	Tray	
261	0641510	A/R	Bolt 5/16in-18NC x 1-1/4in	
	0641608	A/R	Bolt 3/8in-16NC x 1in	
262	4791400	6	Starwasher 1/4in	
263	1060904	1	Cable, Jumper	
264	4923451	1	Harness, Glow Plug	
265	1001141748	1	Pipe, Exhaust Pipe (S/N 0300161285 to Present)	

## SECTION 2 TURNTABLE

**FIGURE 2-12. DEUTZ ENGINE INSTALLATION (CONTINUED)**

ITEM #	PART NUMBER	QTY.	DESCRIPTION	REV.
		Ref.	<b>Note: Following Items (Not Shown) Used on Arctic Package Machines Only.</b>	
	2580062	1	Heater, Engine Block	
	3020044	A/R	Oil, Motor 0W-40	
	0256847	Ref.	<b>PUMP COUPLING INSTALLATION</b>	2
301	1660234	1	Coupling, Hayes	
302	0080163	1	Plate, Pump Adapter	
303	0700810	63	Bolt Metric 8mm x 20mm	
304	4831900	6	Lockwasher 8mm	
305 to 306	Not Used			
307	3020021	A/R	Grease, Coupling	
		Ref.	<b>ENGINE COMPONENTS</b>	
	2000338	Ref.	<b>All Specs (S/N 0300096000 to S/N 0300106863) (F3M2011)</b>	B
	1001092723	Ref.	<b>All Specs (S/N 0300106863 to S/N 0300161285) (D2011L03)</b>	E
	1001144476	Ref.	<b>ANSI Export, CE, Australian &amp; Japanese Specs (S/N 0300161285 to Present) (D2011L03)</b>	B
	1001144476	Ref.	<b>ANSI &amp; CSA Specs (S/N 0300161285 to S/N 0300169776) (D2011L03)</b>	B
	1001137828	Ref.	<b>ANSI &amp; CSA Specs (S/N 0300169776 to Present) (D2011L03)</b>	C
401	7020026	1	Dipstick	
	70001002	1	Tube, Dipstick	
402	7020465	2	Cap, Filler	
403		1	Pump, Oil Lube Options:	
	7020495		Engines 2000338 & 1001092723	
	70001850		Engines 1001144476 & 1001137828	
	7020468	1	Seal Between Oil Pump & Engine Block (Not Shown)	
404	7016331	1	Filter, Oil	
	70003472	1	Bracket, Oil Filter (Engines 1001144476 & 1001137828)	
	70003473	1	Gasket, Oil Filter Bracket (Engines 1001144476 & 1001137828) (Not Shown - Located Between Oil Filter Bracket & Engine Block)	
	7027236	1	Sensor, Oil Temperature (Not Shown - Located in Rear Of Filter Mount)	
405		3	Pump, Injector Options:	
	Use 70000912		Series A Pump (was p/n 7027246)	
	Use 70000913		Series B Pump (was p/n 7027608)	
	Use 70000914		Series C Pump (was p/n 7027609)	
	Use 70000915		Series D Pump (was p/n 7027610)	
	7020447	3	Gasket, Injector Pump (Engines 2000338 & 1001092723)	
	70003464	3	O-Ring, Injector Pump (Engines 1001144476 & 1001137828)	
406		1	Filter, Fuel Options:	
	7020023	1	Standard	
	70003463	1	RME Resistant ( <b>Note: Use with European Bio-Diesel Fuels</b> )	
	70001423	1	Bracket, Fuel Filter	



## SECTION 2 TURNTABLE

**FIGURE 2-12. DEUTZ ENGINE INSTALLATION (CONTINUED)**

ITEM #	PART NUMBER	QTY.	DESCRIPTION	REV.	
407	Use 70000916	1	Pump Fuel Supply (was p/n 7027238)		
	70001435	1	Repair Kit - Pump		
		1	O-Seal Between Fuel Pump & Engine Block Options (Not Shown):		
	7020411		Engines 2000338 & 1001092723		
	70000917		Engines 1001144476 & 1001137828		
	70000918	1	Seal Between Fuel Pump & Hand Pump (Engines 1001144476 & 1001137828) (Not Shown)		
	70000919	A/R	Pump, Hand (Engines 1001144476 & 1001137828) (Not Shown)		
	408		A/R	Seal & Gasket Options (Not Shown):	
		70002718	1	Seal, Rear Main Crankshaft (Engines 1001144476 & 1001137828 Only)	
7020430		1	Gasket, Valve Cover		
		A/R	Gasket, Cylinder Head Options:		
70003479		1	Gasket (1 Notch)		
70003480		1	Gasket (2 Notch)		
70003481		1	Gasket (3 Notch)		
Use 70001871		3	Gasket, Intake Manifold (Not Shown) (was p/n 7020449)		
7020471		3	Gasket, Exhaust Manifold (Not Shown)		
70002200		6	Stud, Exhaust (Not Shown)		
409		1	V-Belt Options:		
	7020408		Engines 2000338 & 1001092723		
	70004102		Engines 1001144476 & 1001137828		
410	7027795	1	Control, EMR2		
		1	Plug, Connector Options (Not Shown):		
	7027793		Engines 2000338 & 1001092723		
	70004060		Engines 1001144476 & 1001137828		
	70004059	1	Plug, Analyzer (Not Shown)		
	7027796	1	Cable, Interconnection (Not Shown)		
411		A/R	Alternator Options:		
			Engines 2000338 & 1001092723		
	Use 7000663	1	Alternator (was p/n 7020410)		
	7020464	1	Regulator, Voltage (Not Shown)		
			Engines 1001144476 & 1001137828		
	70004056	1	Alternator		
	70001868	1	Regulator, Voltage (Not Shown)		
	70001866	1	Gasket Set for Regulator (Not Shown)		
70004103	1	Cable, Alternator Interconnection (Not Shown)			
412		A/R	Starter Options:		
			Engines 2000338 & 1001092723		
	7020479	1	Starter		
	7026608	1	Relay, Starter		
			Engines 1001144476 & 1001137828		
	70004057	1	Starter		
	70004058	1	Relay, Starter		
70004062	1	Cable, Starter Interconnection (Not Shown)			
413	7027769	1	Radiator Connector Kit (Engines 2000338 & 1001092723)		
414	7027791	1	Sender, Oil Temperature (Not Shown)		
415	7027790	1	Sensor, Oil Pressure		

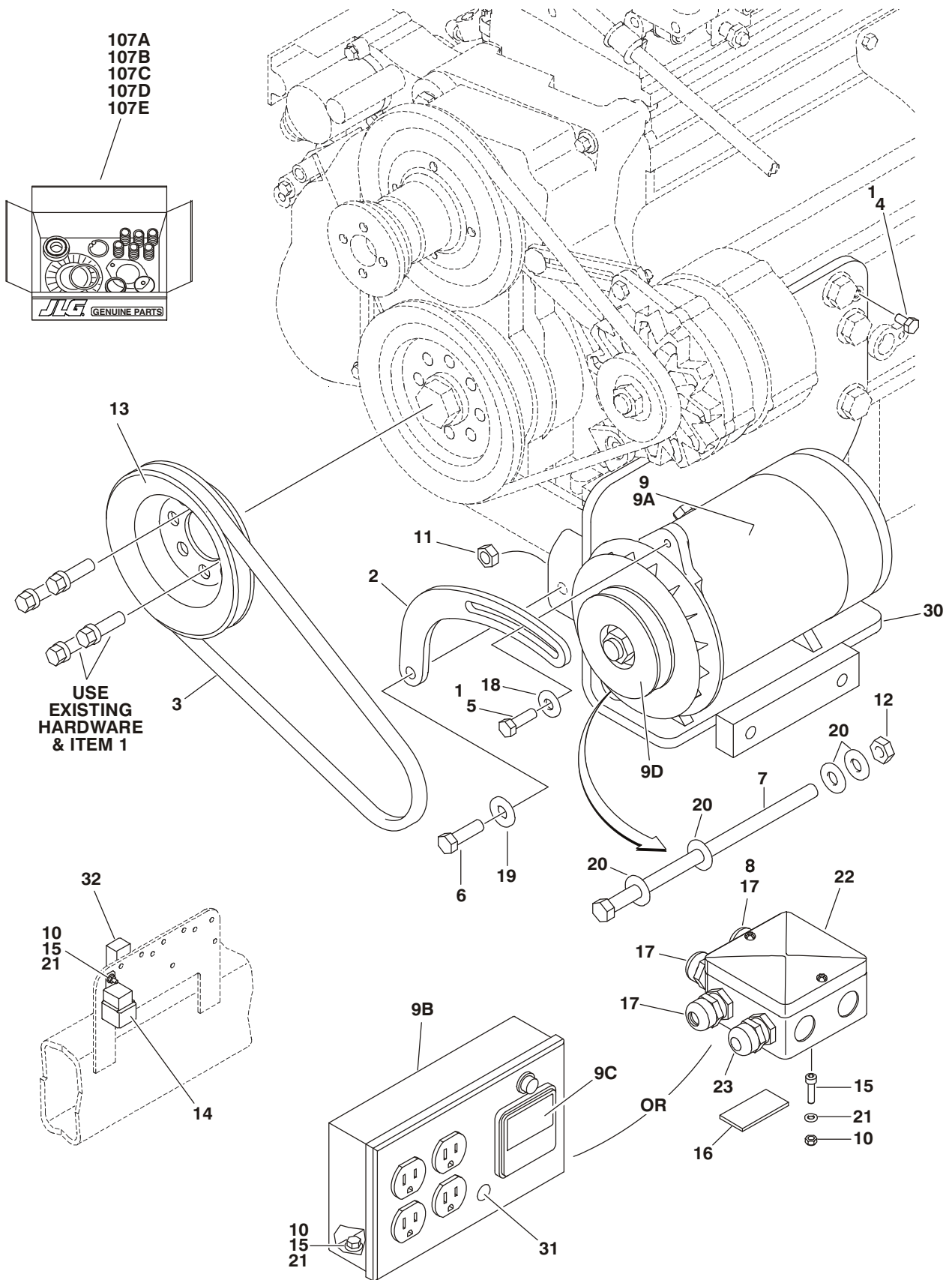
## SECTION 2 TURNTABLE

**FIGURE 2-12. DEUTZ ENGINE INSTALLATION (CONTINUED)**

ITEM #	PART NUMBER	QTY.	DESCRIPTION	REV.
416	7024565	1	Sensor, Speed (Not Shown)	
	70003932	1	Spacer, Sleeve (Not Shown)	
417	7027792	1	Actuator, Throttle	
	7027276	2	Spring for Actuator	
418	Use 70003475	1	Thermostat (was p/n 7020459)	
	7020460	1	Spring, Compression	
419	70000264	1	Flywheel (Not Shown) <b>(Note: Not Available for Purchase)</b>	
	7024579	1	Rim, Gear (Not Shown)	
420	7027245	1	Filter, Fuel (In-Line) (Engines 2000338 & 1001092723)	
421	7027239	1	Solenoid, Start (Not Shown - Located near Throttle Actuator) (Engines 2000338 & 1001092723)	
422	Use 70001872	1	Engine Harness (was p/n 7027794)	
423	70003478	3	Injector, Fuel	
	70003136	3	O-Ring, Fuel Injector	
	70000345	3	Plug, Glow	
424	7020169	1	Pipe, Exhaust Pipe (S/N 0300096000 to S/N 0300161285)	
425	1320176	1	Clamp, Exhaust	
426	70000800	1	Repair Kit for Timing Belt Tensioner (Not Shown)	
	3600405	Ref.	<b>GEAR PUMP ASSEMBLY WITH FITTINGS</b>	A
501	2220385	2	Fitting, Tee	
502	2220479	2	Fitting, Straight	
503	2220810	2	Fitting, Reducer	
504	3600368	1	Gear Pump Assembly Less Fittings	
	7024962		Seal Kit - 3600368 Pump (Includes Soft Seals) <b>Note: Seal Kit is only service part are available.</b>	
505	4640744	2	Valve, Check	

# SECTION 2 TURNTABLE

FIGURE 2-13. 2500W GENERATOR INSTALLATION - DEUTZ MACHINES (OPTIONAL)



## SECTION 2 TURNTABLE

**FIGURE 2-13. 2500W GENERATOR INSTALLATION - DEUTZ MACHINES (OPTIONAL)**

ITEM #	PART NUMBER	QTY.	DESCRIPTION	REV.
		Ref.	<b>Note: Refer to Sky Power Accessories Manual p/n 3124242 for the Miller 7500W Generator.</b>	
	See Note	Ref.	<b>GENERATOR KIT COMPONENTS</b>	
	See Note	Ref.	<b>110V/60HZ Generator (ANSI &amp; ANSI Export Specs) (was p/n 0274079) Note: No Aftermarket Installation Kit Available Purchase Individual Items</b>	2/B
	See Note	Ref.	<b>110V/50HZ Generator (CE Specs) (S/N 0300096000 to S/N 0300131127) (was p/n 0274089) Note: For Aftermarket Installation, Use P/N 1001100732</b>	2/B
	1001100732	Ref.	<b>110V/50HZ Generator (CE Specs) (S/N 0300131127 to Present)</b>	C
	See Note	Ref.	<b>220V/50HZ Generator (ANSI Export, Australian &amp; CE Specs) (S/N 0300096000 to S/N 0300131127) (was p/n 0274085) Note: For Aftermarket Installation, Use P/N 1001100749</b>	2/B
	1001100749	Ref.	<b>220V/50HZ Generator (ANSI Export, Australian &amp; CE Specs) (S/N 0300131127 to Present)</b>	C
1	0100011	A/R	Locking, Compound	
2	0200742	1	Arm, Adjusting	
3		1	V-Belt Options:	
	0480122	1	60Hz	
	0480120	1	50Hz	
4	0641404	1	Bolt 1/4in-20NC x 1/2in	
5	0641508	1	Bolt 5/16in-18NC x 1in	
6	0641610	1	Bolt 3/8in-16NC x 1-1/4in	
7	0641772	1	Bolt 7/16in-14NC x 9in	
8	0962449	1	Bushing (50Hz Only)	
9		1	Generator and Control Box Assembly Options:	
	2460055		110V/60Hz Assembly	
	2460057		110V/50Hz Assembly (Includes Generator & Control Box) (S/N 0300096000 to S/N 0300131127)	
	2460049		110V/50Hz Assembly (Includes Generator Only. Junction Box Must be Purchased Separately) (S/N 0300131127 to Present)	
	Use 2460056		220V/50Hz Assembly (Includes Generator & Control Box) (was p/n 2460013) (S/N 0300096000 to S/N 0300131127)	
	1001100321		220V/50Hz Assembly (Includes Generator Only. Junction Box Must be Purchased Separately) (S/N 0300131127 to Present)	
9A	7012558	1	Generator Only - 110V/60Hz	
	2460049	1	Generator Only - 110V/50Hz	
	1001100321	1	Generator Only - 220V	
		1	Armature with Slip Rings Options:	
	7026199		Armature with Slip Rings - 110V/60Hz	
	70000122		Armature with Slip Rings - 110V/50Hz	
	70000123		Armature with Slip Rings - 220V	
	7012513	4	Cap, Brush Holder	
	7020108	4	Brush	
	7020109	4	Holder, Brush	
	7012514	1	Fan	
	7020110	1	Bell, Front	
	7020111	1	Bell, Rear	

## SECTION 2 TURNTABLE

**FIGURE 2-13. 2500W GENERATOR INSTALLATION - DEUTZ MACHINES (OPTIONAL)  
(CONTINUED)**

ITEM #	PART NUMBER	QTY.	DESCRIPTION	REV.
9A (cont'd)	7020190	2	Bearing	
	7020193	1	Cord, Power	
9B	7019680	1	Box, Control - 110V/60Hz	
	7019680	1	Box, Control - 110V/50Hz (S/N 0300096000 to S/N 0300131127)	
	Not Required	1	Box, Control - 110V/50Hz (S/N 0300131127 to Present)	
	70000127	1	Box, Control - 220V (S/N 0300096000 to S/N 0300131127)	
	Not Required	1	Box, Control - 220V (S/N 0300131127 to Present)	
		A/R	Receptacle Options:	
	4460190	1	Receptacle, Standard (110V Only)	
	4460027	1	Receptacle, Twistlock (110V Only)	
	70000124	1	Receptacle, Double (220V/50Hz Only)	
	70000125	1	Receptacle, Single (220V/50Hz Only)	
		1	Breaker, Circuit Options:	
	4360542		Breaker 110V	
	70000126		Breaker 220V/50Hz	
	3520028	1	Plug, Hole	
9C		1	Voltmeter Options:	
	2420203		Voltmeter - 110V	
	7020192		Voltmeter - 220V	
9D	3580134	1	Pulley	
	7027887	1	Key, Woodruff	
10		A/R	Locknut Options:	
	3311005		Locknut #10-24NC	
	3290505		Locknut M5	
11	3311605	1	Locknut 3/8in-16NC	
12	3311705	1	Locknut 7/16in-14NC	
13	3580158	1	Pulley	
14	3740080	1	Relay	
15		A/R	Bolt Options:	
	0721006		Bolt #10-24NC x 3/4in	
	0721008		Bolt #10-24NC x 1in	
	4031608		Capscrew M5 x 20mm	
16	4420060	3in/8cm	Tape, Double Sided (50Hz Generators S/N 0300131127 to Present)	
17	4460968	3	Connector, Strain Relief (50Hz Generators S/N 0300131127 to Present)	
18	4751500	A/R	Flatwasher 5/16in Regular	
19	4751600	A/R	Flatwasher 3/8in Regular	
20	4751700	6	Flatwasher 7/16in Regular	
21		A/R	Flatwasher Options:	
	4751000		Flatwasher #10 Regular	
	4811600		Flatwasher M5	
22	1001099869	1	Box, Junction (50Hz Generators S/N 0300131127 to Present)	
23	1001100233	1	Light, Red (50Hz Generators S/N 0300131127 to Present)	
24 to 29	Not Used			
30	4846567	1	Bracket, Generator Mounting (Part of Engine Assembly)	
31	3520028	1	Plug, Hole	
32	4360294	1	Breaker, Circuit - 30 Amp	

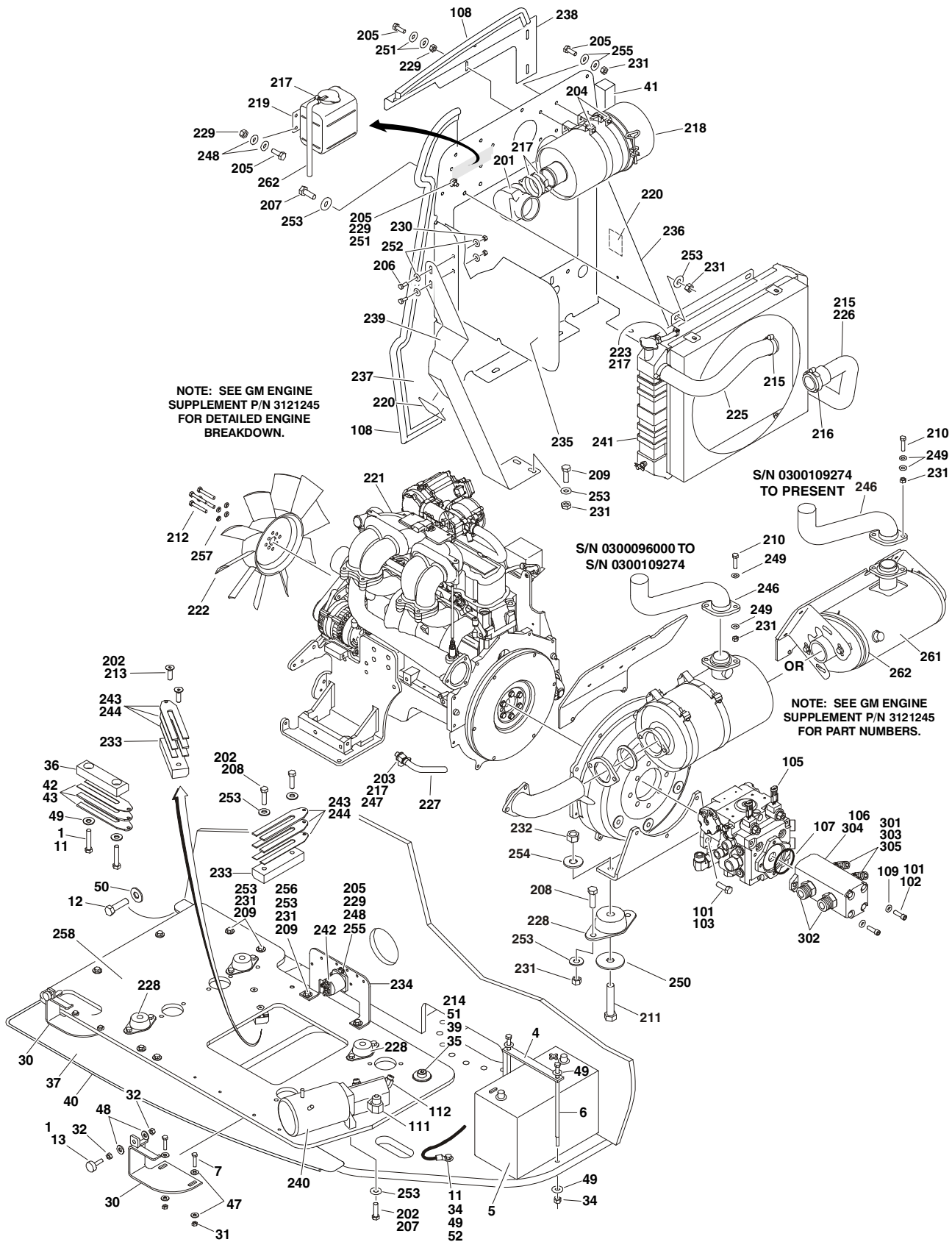
## SECTION 2 TURNTABLE

**FIGURE 2-13. 2500W GENERATOR INSTALLATION - DEUTZ MACHINES (OPTIONAL)  
(CONTINUED)**

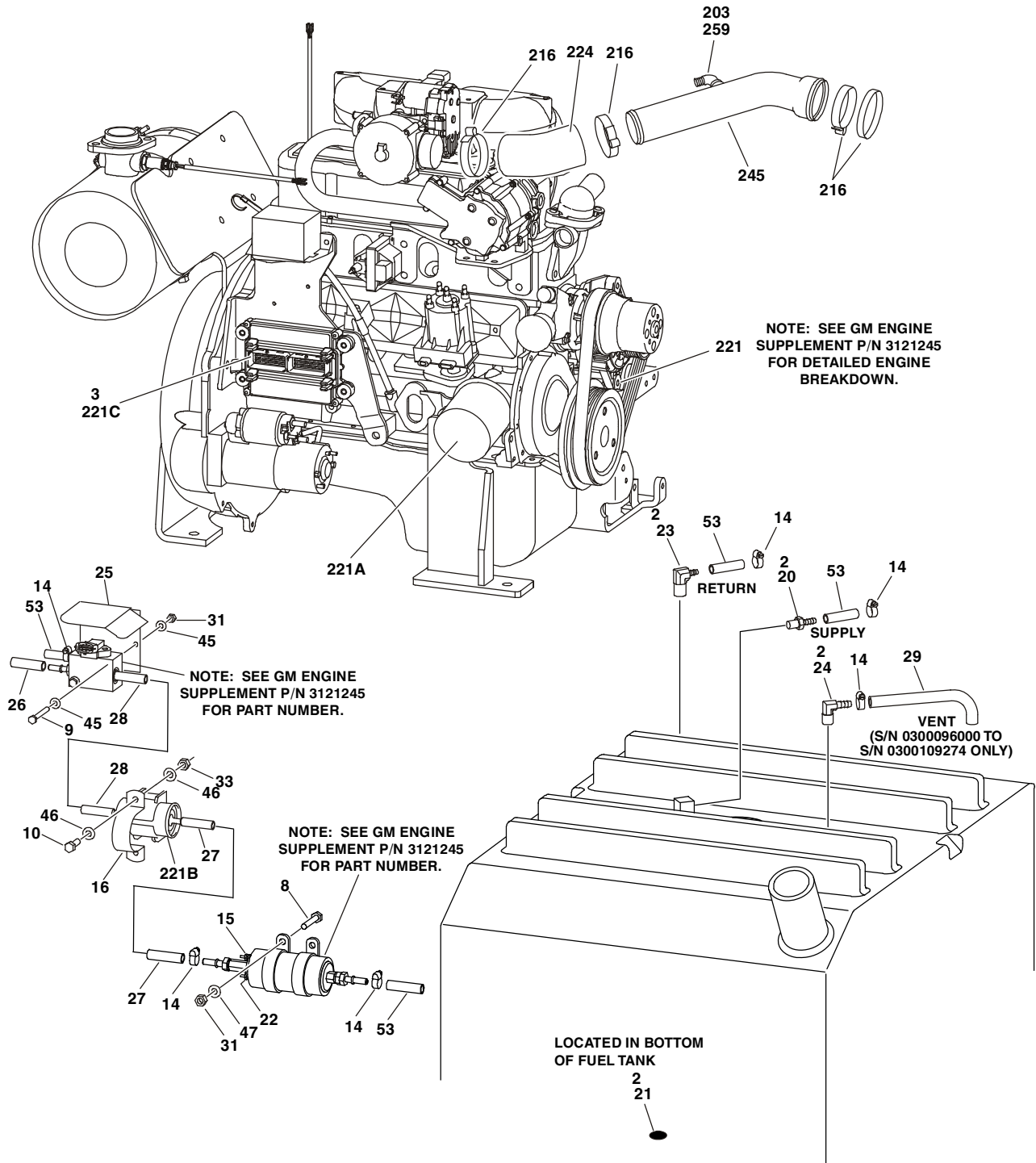
ITEM #	PART NUMBER	QTY.	DESCRIPTION	REV.
		Ref.	<b>GENERATOR INSTALLATION</b>	
		Ref.	<b>110V/60HZ Generator (ANSI &amp; ANSI Export Specs) Options:</b>	
	0274079	Ref.	<b>S/N 0300096000 to S/N 0300140365</b>	2/B
	1001115403	Ref.	<b>S/N 0300140365 to Present</b>	B
		Ref.	<b>110V/50HZ Generator (CE Specs) Options:</b>	
	0274089	Ref.	<b>S/N 0300096000 to S/N 0300131127</b>	2/B
	1001100656	Ref.	<b>S/N 0300131127 to S/N 0300140365</b>	A
	1001115411	Ref.	<b>S/N 0300140365 to Present</b>	A
		Ref.	<b>220V/50HZ Generator (ANSI Export, Australian &amp; CE Specs) Options:</b>	
	0274085	Ref.	<b>S/N 0300096000 to S/N 0300131127</b>	2/B
	1001100657	Ref.	<b>S/N 0300131127 to S/N 0300140365</b>	A
	1001115412	Ref.	<b>S/N 0300140365 to Present</b>	A
101	2820031	1	Heatshrink (Not Shown - Located at Platform)	
102	3251102	1	Decal (Not Shown - Located at Platform)	
103	4060802	1	Guard, Switch (Not Shown - Located at Platform)	
104	4360336	1	Switch, Toggle (Not Shown - Located at Platform)	
105	4740397	1	Washer (Not Shown - Located at Platform)	
106	Not Used			
107		1	Generator Kit Options:	
107A	See Note		110V/60HZ Generator (ANSI & ANSI Export Specs) <b>(Note: No Aftermarket Installation Kit Available Purchase Individual Items)</b>	
107B	See Note		110V/50HZ Generator (CE Specs) (S/N 0300096000 to S/N 0300131127) (was p/n 0274089) <b>(Note: For Aftermarket Installation, Use P/N 1001100732)</b>	
107C	1001100732		110V/50HZ Generator (CE Specs) (S/N 0300131127 to Present) <b>(Note: No Aftermarket Installation Kit Available Purchase Individual Items)</b>	
107D	See Note		220V/50HZ Generator (ANSI Export, Australian & CE Specs) (S/N 0300096000 to S/N 0300131127) (was p/n 0274085) <b>(Note: For Aftermarket Installation, Use P/N 1001100749)</b>	
107E	1001100749		220V/50HZ Generator (ANSI Export, Australian & CE Specs) (S/N 0300131127 to Present) <b>(Note: No Aftermarket Installation Kit Available Purchase Individual Items)</b>	

# SECTION 2 TURNTABLE

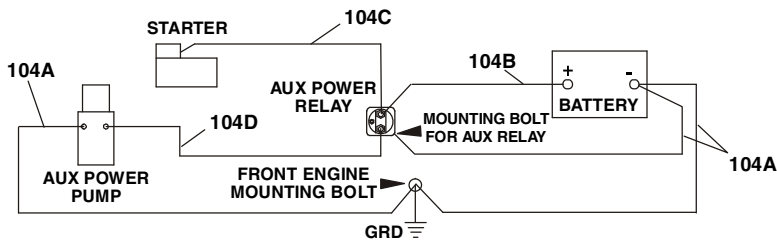
## FIGURE 2-14. GM ENGINE INSTALLATION (WITHOUT UGM)



# SECTION 2 TURNTABLE



ITEM 104 INCLUDES ITEMS 104A-104D





## SECTION 2 TURNTABLE

**FIGURE 2-14. GM ENGINE INSTALLATION (WITHOUT UGM)**

ITEM #	PART NUMBER	QTY.	DESCRIPTION	REV.
		Ref.	<b>GM ENGINE INSTALLATION</b>	
	0275032	Ref.	<b>S/N 0300096000 to S/N 0300109274</b>	G
	1001091629	Ref.	<b>S/N 0300109274 to Present</b>	G
1	0100011	A/R	Locking, Compound	
2	0100020	A/R	Sealant, Pipe	
3	0100048	A/R	Grease, Dielectric	
4	0361810	1	Bar, Battery Hold Down	
5	0400075	1	Battery (Wet)	
6	0630541	2	Bolt, Battery Hold Down	
7	0641410	4	Bolt 1/4in-20NC x 1-1/4in	
8	0641412	2	Bolt 1/4in-20NC x 1-1/2in (Not Shown)	
9	0641422	2	Bolt 1/4in-20NC x 2-3/4in	
10	0641511	2	Bolt 5/16in-18NC x 1-3/8in	
11	0641616	3	Bolt 3/8in-16NC x 2in	
12	0642010	1	Bolt 5/8in-11NC x 1-1/4in	
13	0940049	2	Stopper, Hood	
14	1320022	A/R	Clamp, Fuel Line	
15	3290405	1	Locknut M4	
16	1320323	1	Clamp	
17	1701542	1	Decal, Gas (Not Shown)	
18	1701543	1	Decal, LPG (Not Shown)	
19	Not Used			
20	2180348	1	Fitting, Barbed	
21	2200222	1	Plug, Pipe	
22	3290505	1	Locknut M5	
23	2221176	1	Fitting, 90°	
24	2220313	1	Fitting, 90° Barbed (S/N 0300096000 to S/N 0300109274 Only)	
25	3380741	1	Shield, Cover	
26	2720565	1	Hose (78in/2m Length)	
27	2720566	1	Hose (6in/15cm Length)	
28	2720567	1	Hose (48in/122cm Length)	
29	2720474	1	Hose (S/N 0300096000 to S/N 0300109274 Only)	
	1320223	1	Clamp (Not Shown - Located on Fuel Line Vent Hose) (S/N 0300096000 to S/N 0300109274 Only)	
30		2	Weldment, Hood Latch Options: S/N 0300096000 to S/N 0300121156 (was p/n 4846096) S/N 0300121156 to Present	
	Use 1001094608			
	1001094608			
31	3311405	8	Locknut 1/4in-20NC	
32	3311501	4	Nut 5/16in-18NC	
33	3311505	2	Locknut 5/16in-18NC	
34	3311605	2	Locknut 3/8in-16NC	
35	3312005	1	Locknut 5/8in-11NC	
36	3340399	1	Pad, Wear	
37	3572504	1	Plate	
38	3790012	1	O-Ring (Not Shown - Located in Console Box)	
39	3900255	1	Screw, Shoulder	
40	3960389	10ft/30m	Seal, Self Gripping	
41	3960469	1	Seal, Foam Gasket	

## SECTION 2 TURNTABLE

**FIGURE 2-14. GM ENGINE INSTALLATION (WITHOUT UGM) (CONTINUED)**

ITEM #	PART NUMBER	QTY.	DESCRIPTION	REV.
42	4070497	2	Shim	
43	4070498	1	Shim	
44	4360336	1	Switch, Toggle (Not Shown - Located in Console Box)	
45	4711400	4	Flatwasher 1/4in Thin	
46	4711500	4	Flatwasher 5/16in Thin	
47	4751400	10	Flatwasher 1/4in Regular	
48	4751500	4	Flatwasher 5/16in Regular (S/N 0300096000 to S/N 0300137656 Only)	
49	4751600	7	Flatwasher 3/8in Regular	
50	4752000	1	Flatwasher 5/8in Regular	
51	4752200	2	Flatwasher 3/4in Regular	
52	4791600	1	Starwasher 3/8in	
53		11ft/3.4m	Hose Options:	
	2720058		S/N 0300096000 to S/N 0300109274	
	1001091587		S/N 0300109274 to Present	
		Ref.	<b>GM ENGINE AND PUMP SUB-ASSEMBLY</b>	
	2000359	Ref.	<b>S/N 0300096000 to S/N 0300109274</b>	B
	1001091628	Ref.	<b>S/N 0300109274 to Present</b>	E
101	0100011	A/R	Locking, Compound	
102	0641608	2	Bolt 3/8in-16NC x 1in	
103	0641812	2	Bolt 1/2in-13NC x 1-1/2in	
104	2902511	1	Battery Cable Kit	C
104A	7027013	1	Cable (Battery - to Ground)	
104B	7027012	1	Cable (Battery + to Auxiliary Relay)	
104C	7016808	1	Cable (Auxiliary Relay to Starter)	
104D	7016820	1	Cable (Auxiliary Relay to Auxiliary Pump)	
105	3600404	1	Pump Assembly (See Figure 2-21 for Breakdown)	
106	3600405	1	Gear Pump Assembly with Fittings (See Items 301-305 for Breakdown)	
107	3790152	1	O-Ring	
108	3960389	10ft/3m	Seal	
109	4891600	2	Flatwasher 3/8in Hardened	
110	Not Used			
111	2220567	1	Fitting, 90°	
112	2221045	2	Fitting, 45°	
		Ref.	<b>GM ENGINE ASSEMBLY</b>	
	2000358	Ref.	<b>S/N 0300096000 to S/N 0300109274</b>	E
	1001091627	Ref.	<b>S/N 0300109274 to Present</b>	E
201	0080201	1	Fitting, 90°	
202	0100011	A/R	Locking, Compound	
203	0100020	A/R	Sealant (S/N 0300096000 to S/N 0300136281 Only)	
204	0340041	2	Band, Mounting	
205	0641406	15	Bolt 1/4in-20NC x 3/4in	
206	0641507	2	Bolt 5/16in-18NC x 7/8in	
207	0641609	6	Bolt 3/8in-16NC x 1-1/8in	
208	0641610	10	Bolt 3/8in-16NC x 1-1/4in	

## SECTION 2 TURNTABLE

**FIGURE 2-14. GM ENGINE INSTALLATION (WITHOUT UGM) (CONTINUED)**

ITEM #	PART NUMBER	QTY.	DESCRIPTION	REV.
209	0641611	6	Bolt 3/8in-16NC x 1-3/8in	
210	0641612	2	Bolt 3/8in-16NC x 1-1/2in	
211	0641820	4	Bolt 1/2in-13NC x 2-1/2in	
212	0700810	4	Bolt M8 x 20mm	
213	0741610	2	Screw, Flat Head 3/8in-16NC x 1-1/4in	
214	0962172	1	Bushing, Flanged	
215	1320012	3	Clamp	
216	1320016	5	Clamp	
217	1320022	3	Clamp	
218	1340060	1	Air Cleaner Assembly	
	7012664	1	Element, Air Cleaner	
219	1580011	1	Container, Coolant Overflow	
220	1703162	2	Decal - Caution Fan	
221		1	Engine, GM 3.0L Options (See GM Engine Supplement P/N 3121245 for Breakdown of Additional Components):	
	2000354		S/N 0300096000 to S/N 0300109274	
	1001091583		S/N 0300109274 to Present	
	7027996	4	Plug, Spark (Not Shown)	
221A	7027965	1	Filter, Oil	
221B	7027972	1	Filter, Fuel	
221C	7027994	1	Module, Control (ECU)	
222	2060025	1	Fan	
223	2720058	4in/10cm	Hose	
224	2720514	1	Hose	
225	2720563	1	Hose, Radiator (Top)	
226	2720564	1	Hose, Radiator (Bottom)	
227			Hose Options:	
	2750532	8in/20cm	S/N 0300096000 to S/N 0300136281	
	1001091892	1ft/30cm	S/N 0300136281 to Present	
228	3200406	4	Mount, Motor	
229	3311405	15	Locknut 1/4in-20NC	
230	3311505	2	Locknut 5/16in-18NC	
231	3311605	20	Locknut 3/8in-16NC	
232	3311805	4	Locknut 1/2in-13NC	
233	3340399	2	Pad, Wear	
234	3570808	1	Plate, Relay Mount	
235	3571019	1	Plate, Air Panel	
236	3571692	1	Plate, Radiator Mounting	
237	3572502	1	Plate, Air Flow Control (Side)	
238	3572503	1	Plate, Air Flow Control (Top)	
239	3573667	1	Plate, Radiator Support	
240		1	Auxiliary Power Pump Assembly Options (See Figure 2-22 for Breakdown):	
	Use 3600423		S/N 0300096000 to S/N 0300105249 (was p/n 3600279)	
	3600423		S/N 0300105249 to Present	
241	3620040	1	Radiator	
	7019656	1	Cap, Radiator	
242	3740067	1	Relay	
243	4070497	4	Shim (11 Gauge)	
244	4070498	2	Shim (16 Gauge)	

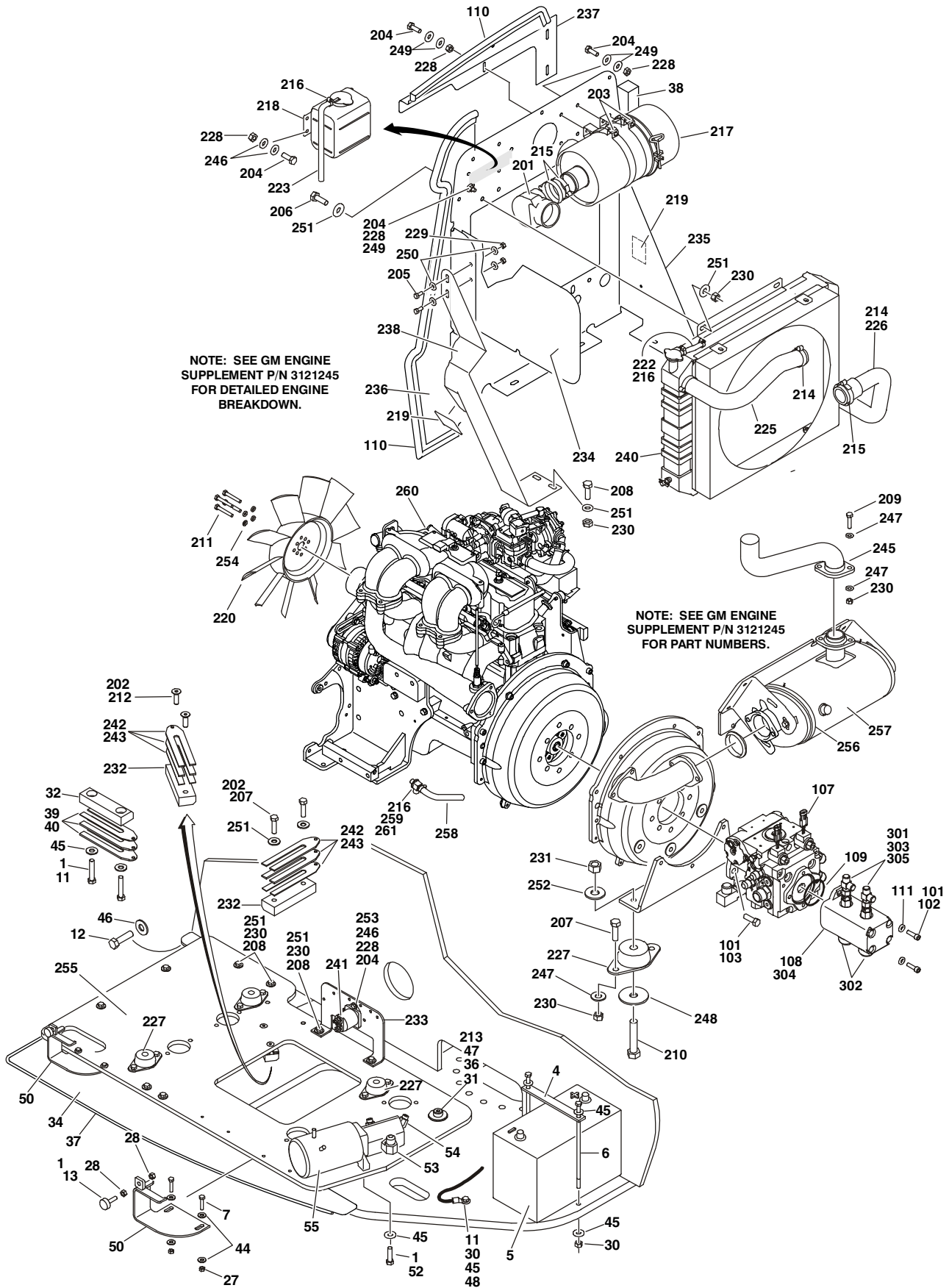
## SECTION 2 TURNTABLE

**FIGURE 2-14. GM ENGINE INSTALLATION (WITHOUT UGM) (CONTINUED)**

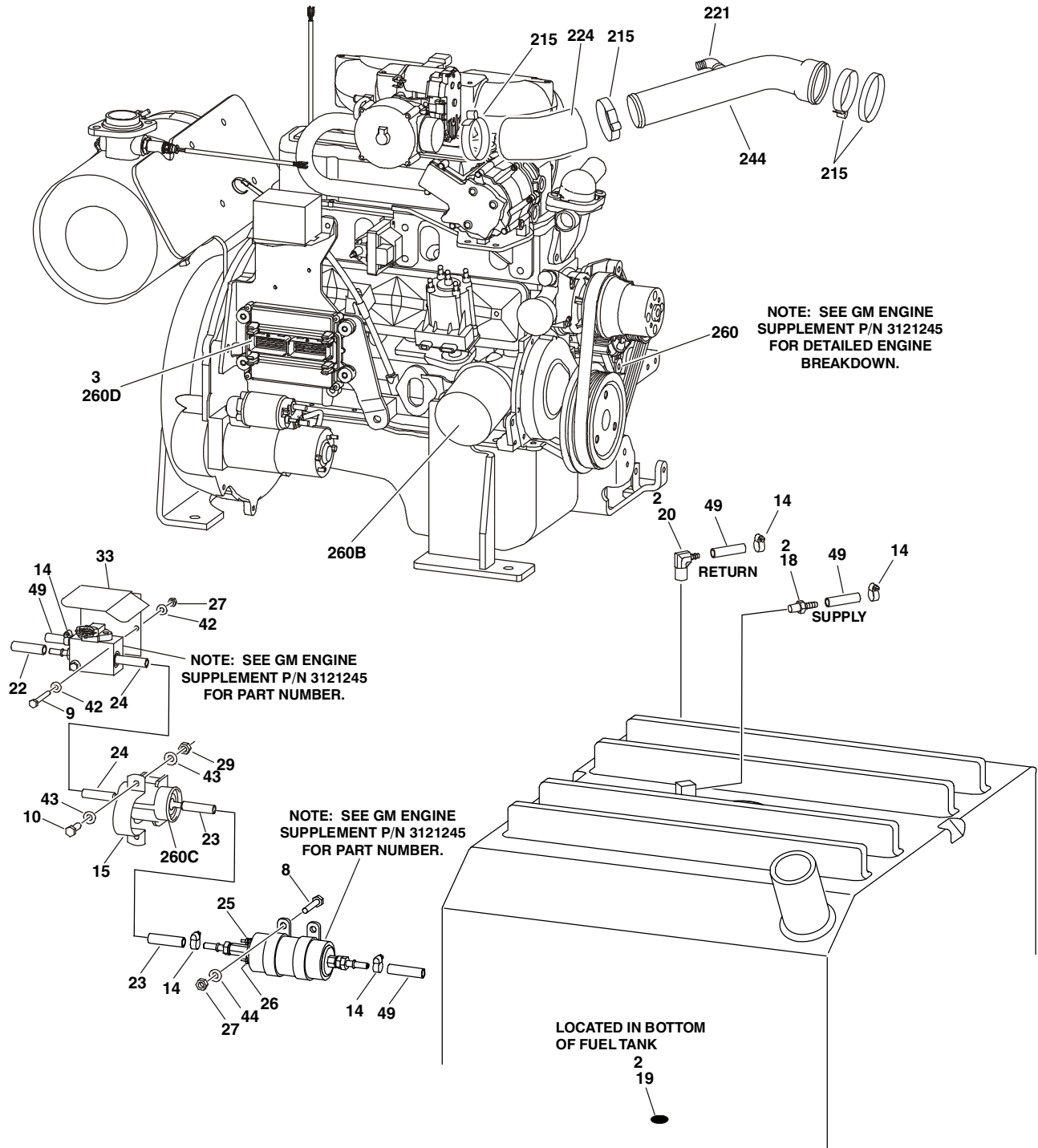
ITEM #	PART NUMBER	QTY.	DESCRIPTION	REV.
245	4569342	1	Tube, Air Intake	
246	4569345	1	Pipe, Exhaust	
247	4640952	1	Valve, Oil Drain Options: S/N 0300096000 to S/N 0300136281	
	1001105872		S/N 0300136281 to Present	
248	4711400	12	Flatwasher 1/4in Thin	
249	4711600	4	Flatwasher 3/8in Thin	
250	4740274	4	Flatwasher, Snubbing	
251	4751400	18	Flatwasher 1/4in Regular	
252	4751500	4	Flatwasher 5/16in Regular	
253	4751600	32	Flatwasher 3/8in Regular	
254	4751800	4	Flatwasher 1/2in Regular	
255	4791400	2	Starwasher 1/4in	
256	4791600	2	Starwasher 3/8in	
257	4831900	4	Lockwasher 8mm	
258	4846809	1	Tray, Engine	
259	2180877	1	Fitting, 90°	
260	Not Used			
261	1001091794	1	Insulation, Muffler	
262	4920385	A/R	Wire, Safety	
263	2720271	18in/46cm	Hose (S/N 0300136281 to Present Only)	
	3600405	Ref.	<b>GEAR PUMP ASSEMBLY WITH FITTINGS</b>	A
301	2220385	2	Fitting, Tee	
302	2220479	2	Fitting, Straight	
303	2220810	2	Fitting, Reducer	
304	3600368	1	Gear Pump Assembly Less Fittings	
	7024962	1	Seal Kit - 3600368 Pump (Includes Soft Seals) <b>Note: Seal Kit is only service part are available.</b>	
305	4640744	2	Valve, Check	

# SECTION 2 TURNTABLE

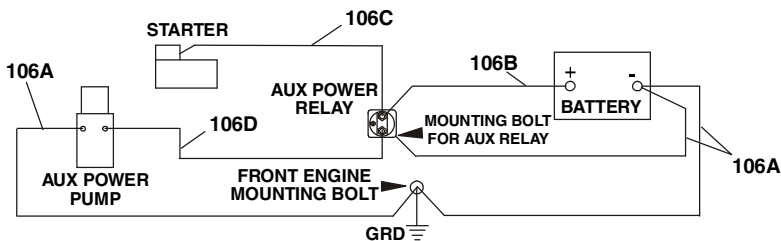
## FIGURE 2-15. GM ENGINE INSTALLATION (WITH UGM)



# SECTION 2 TURNTABLE



ITEM 106 INCLUDES ITEMS 106A-106D



## SECTION 2 TURNTABLE

**FIGURE 2-15. GM ENGINE INSTALLATION (WITH UGM)**

ITEM #	PART NUMBER	QTY.	DESCRIPTION	REV.
	1001114607	Ref.	<b>GM ENGINE INSTALLATION</b>	D
1	0100011	A/R	Locking, Compound	
2	0100020	A/R	Sealant, Pipe	
3	0100048	A/R	Grease, Dielectric	
4	0361810	1	Bar, Battery Hold Down	
5	0400075	1	Battery (Wet)	
6	0630541	2	Bolt, Battery Hold Down	
7	0641410	4	Bolt 1/4in-20NC x 1-1/4in	
8	0641412	2	Bolt 1/4in-20NC x 1-1/2in (Not Shown)	
9	0641422	2	Bolt 1/4in-20NC x 2-3/4in	
10	0641511	2	Bolt 5/16in-18NC x 1-3/8in	
11	0641616	3	Bolt 3/8in-16NC x 2in	
12	0642010	1	Bolt 5/8in-11NC x 1-1/4in	
13	0940049	2	Stopper, Hood	
14	1320022	4	Clamp, Fuel Line	
15	1320323	1	Clamp	
16	1701542	1	Decal, Gas (Not Shown)	
17	1701543	1	Decal, LPG (Not Shown)	
18	2180348	1	Fitting, Barbed	
19	2200222	1	Plug, Pipe	
20	2221176	1	Fitting, 90°	
21	2300004	2.7 Gal	Coolant, Anti-Freeze (Not Shown)	
22	2720565	1	Hose (78in/2m Length)	
23	2720566	1	Hose (6in/15cm Length)	
24	2720567	1	Hose (48in/122cm Length)	
25	3290405	1	Locknut M4	
26	3290505	1	Locknut M5	
27	3311405	8	Locknut 1/4in-20NC	
28	3311501	4	Nut 5/16in-18NC	
29	3311505	2	Locknut 5/16in-18NC	
30	3311605	2	Locknut 3/8in-16NC	
31	3312005	1	Locknut 5/8in-11NC	
32	3340399	1	Pad, Wear	
33	3380741	1	Shield, Cover	
34	3572504	1	Plate	
35	3790012	1	O-Ring (Not Shown - Located in Console Box)	
36	3900255	1	Screw, Shoulder	
37	3960389	4ft/1.2m	Seal, Self Gripping	
38	3960469	1	Seal, Foam Gasket	
39	4070497	2	Shim	
40	4070498	1	Shim	
41	4360336	1	Switch, Toggle (Not Shown - Located in Console Box)	
42	4711400	4	Flatwasher 1/4in Thin	
43	4711500	4	Flatwasher 5/16in Thin	
44	4751400	10	Flatwasher 1/4in Regular	
45	4751600	9	Flatwasher 3/8in Regular	
46	4752000	1	Flatwasher 5/8in Regular	
47	4752200	2	Flatwasher 3/4in Regular	

## SECTION 2 TURNTABLE

**FIGURE 2-15. GM ENGINE INSTALLATION (WITH UGM) (CONTINUED)**

ITEM #	PART NUMBER	QTY.	DESCRIPTION	REV.
48	4791600	1	Starwasher 3/8in	
49	1001091587	17.5ft/5.3m	Hose	
50	1001094608	2	Weldment, Hood Latch	
51	Not Used			
52	0641609	2	Bolt 3/8in-16NC x 1-1/8in	
53	2220567	1	Fitting, 90°	
54	2221045	2	Fitting, 45°	
55	3600423	1	Auxiliary Power Pump Assembly (See Figure 2-22 for Breakdown)	
	1001114606	Ref.	<b>GM ENGINE AND PUMP SUB-ASSEMBLY</b>	E
101	0100011	A/R	Locking, Compound	
102	0641608	2	Bolt 3/8in-16NC x 1in	
103	0641812	2	Bolt 1/2in-13NC x 1-1/2in	
104 to 105	Not Used			
106	2902511	1	Battery Cable Kit	C
106A	7027013	1	Cable (Battery - to Ground)	
106B	7027012	1	Cable (Battery + to Auxiliary Relay)	
106C	7016808	1	Cable (Auxiliary Relay to Starter)	
106D	7016820	1	Cable (Auxiliary Relay to Auxiliary Pump)	
107	3600404	1	Pump Assembly (See Figure 2-21 for Breakdown)	
108	3600405	1	Gear Pump Assembly with Fittings (See Items 301-305 for Breakdown)	
109	3790152	1	O-Ring	
110	3960389	6ft/1.8m	Seal	
111	4891600	2	Flatwasher 3/8in Hardened	
112	Not Used			
113	1001115930	1	Engine Oil, (10W-30) (Not Shown)	
	1001114605	Ref.	<b>GM ENGINE ASSEMBLY</b>	D
201	0080201	1	Fitting, 90°	
202	0100011	A/R	Locking, Compound	
203	0340041	2	Band, Mounting	
204	0641406	15	Bolt 1/4in-20NC x 3/4in	
205	0641507	2	Bolt 5/16in-18NC x 7/8in	
206	0641609	4	Bolt 3/8in-16NC x 1-1/8in	
207	0641610	10	Bolt 3/8in-16NC x 1-1/4in	
208	0641611	6	Bolt 3/8in-16NC x 1-3/8in	
209	0641612	2	Bolt 3/8in-16NC x 1-1/2in	
210	0641820	4	Bolt 1/2in-13NC x 2-1/2in	
211	0700810	4	Bolt M8 x 20mm	
212	0741610	2	Screw, Flat Head 3/8in-16NC x 1-1/4in	
213	0962172	1	Bushing, Flanged	
214	1320012	3	Clamp	
215	1320016	5	Clamp	
216	1320022	A/R	Clamp	
217	1340060	1	Air Cleaner Assembly	
	7012664	1	Element, Air Cleaner	
218	1580011	1	Container, Coolant Overflow	



## SECTION 2 TURNTABLE

**FIGURE 2-15. GM ENGINE INSTALLATION (WITH UGM) (CONTINUED)**

ITEM #	PART NUMBER	QTY.	DESCRIPTION	REV.
219	1703162	2	Decal - Caution Fan	
220	2060025	1	Fan	
221	2180877	1	Fitting, 90°	
222	2720058	4in/10cm	Hose	
223	2720271	18in/46cm	Hose	
224	2720514	1	Hose	
225	2720563	1	Hose, Radiator (Top)	
226	2720564	1	Hose, Radiator (Bottom)	
227	3200406	4	Mount, Motor	
228	3311405	15	Locknut 1/4in-20NC	
229	3311505	2	Locknut 5/16in-18NC	
230	3311605	20	Locknut 3/8in-16NC	
231	3311805	4	Locknut 1/2in-13NC	
232	3340399	2	Pad, Wear	
233	3570808	1	Plate, Relay Mount	
234	3571019	1	Plate, Air Panel	
235	3571692	1	Plate, Radiator Mounting	
236	3572502	1	Plate, Air Flow Control (Side)	
237	3572503	1	Plate, Air Flow Control (Top)	
238	3573667	1	Plate, Radiator Support	
239	Not Used			
240	3620040	1	Radiator	
	7019656	1	Cap, Radiator	
241	3740067	1	Relay	
242	4070497	4	Shim (11 Gauge)	
243	4070498	2	Shim (16 Gauge)	
244	4569342	1	Tube, Air Intake	
245	4569345	1	Pipe, Exhaust	
246	4711400	12	Flatwasher 1/4in Thin	
247	4711600	12	Flatwasher 3/8in Thin	
248	4740274	4	Flatwasher, Snubbing	
249	4751400	18	Flatwasher 1/4in Regular	
250	4751500	4	Flatwasher 5/16in Regular	
251	4751600	22	Flatwasher 3/8in Regular	
252	4751800	4	Flatwasher 1/2in Regular	
253	4791600	2	Starwasher 3/8in	
254	4831900	4	Lockwasher 8mm	
255	4846809	1	Tray, Engine	
256	4920385	10ft/3.0m	Wire, Safety	
257	1001091794	1	Insulation, Muffler	
258	2750532	1ft/0.3m	Hose (S/N 0300096000 to S/N 0300161285 Only)	
259	4640952	1	Valve, Oil Drain (S/N 0300096000 to S/N 0300161285 Only)	
260		1	Engine, GM 3.0L Options (See GM Engine Supplement P/N 3121245 for Breakdown of Additional Components):	
	1001114595		S/N 0300096000 to S/N 0300161285	
	1001141139		S/N 0300161285 to Present	
260A	70000164	4	Plug, Spark (Not Shown)	
260B	7027965	1	Filter, Oil	
260C	7027972	1	Filter, Fuel	
260D	70002895	1	Module, Control (ECU)	

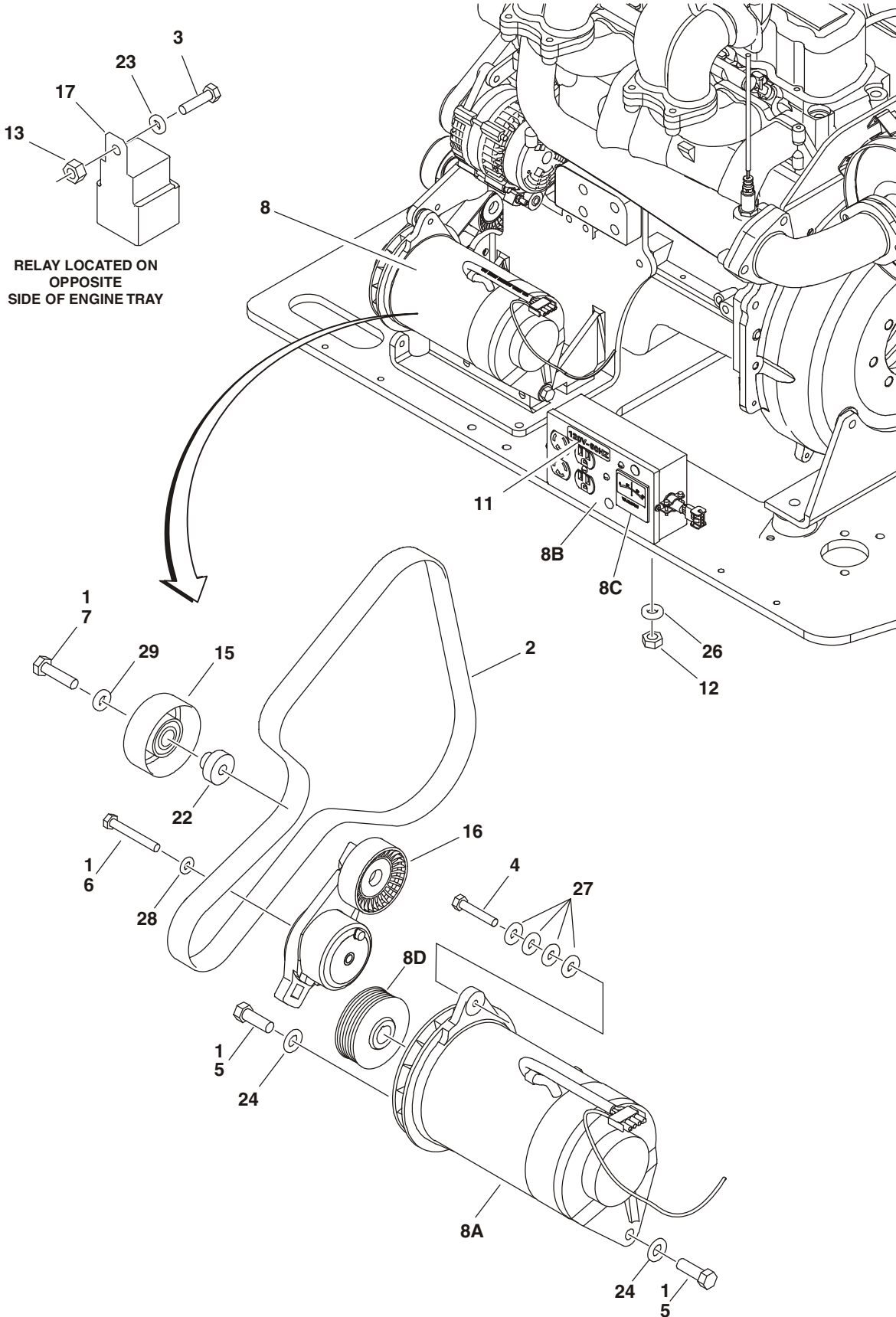
## SECTION 2 TURNTABLE

**FIGURE 2-15. GM ENGINE INSTALLATION (WITH UGM) (CONTINUED)**

ITEM #	PART NUMBER	QTY.	DESCRIPTION	REV.
261	0100020	A/R	Sealant, Pipe (S/N 0300096000 to S/N 0300161285 Only)	
	3600405	Ref.	<b>GEAR PUMP ASSEMBLY WITH FITTINGS</b>	A
301	2220385	2	Fitting, Tee	
302	2220479	2	Fitting, Straight	
303	2220810	2	Fitting, Reducer	
304	3600368	1	Gear Pump Assembly Less Fittings	
	7024962		Seal Kit - 3600368 Pump (Includes Soft Seals) <b>Note: Seal Kit is only service part are available.</b>	
305	4640744	2	Valve, Check	

## SECTION 2 TURNTABLE

FIGURE 2-16. 2500W GENERATOR INSTALLATION - GM MACHINES (OPTIONAL)



## SECTION 2 TURNTABLE

**FIGURE 2-16. 2500W GENERATOR INSTALLATION - GM MACHINES (OPTIONAL)**

ITEM #	PART NUMBER	QTY.	DESCRIPTION	REV.
		Ref.	<b>GENERATOR INSTALLATION OPTIONS:</b>	
	0275039	Ref.	<b>110V Generator</b>	E
	See Note	Ref.	<b>220V Generator (Note: Not Available for Purchase)</b>	
		Ref.	<b>Note: Refer to Sky Power Accessories Manual P/N 3124242 for the Miller 7500W Generator.</b>	
1	0100011	A/R	Locking, Compound	
2	0480142	1	V-Belt	
3	0641405	1	Bolt 1/4in-20NC x 5/8in	
4	0641510	1	Bolt 5/16in-18NC x 1-1/4in	
5	0641710	2	Bolt 7/16in-14NC x 1-1/4in	
6	0700820	1	Bolt 8mm x 60mm	
7	0701016	1	Bolt 10mm x 340mm	
8		1	Generator and Control Box Assembly Options:	
	2460051		110 Volt Assembly	
	2460052		220 Volt Assembly	
8A	7012558	1	Generator Only - 110V	
	1001100321	1	Generator Only - 220V	
		Ref.	<b>Note: Replacement Generators come standard with p/n 3580134 pulley. This pulley may not be correct for all applications. Refer to pulley options below.</b>	
		1	Armature with Slip Rings Options:	
	7026199		Armature with Slip Rings - 110V	
	70000123		Armature with Slip Rings - 220V	
	7012513	4	Cap, Brush Holder	
	7020108	4	Brush	
	7020109	4	Holder, Brush	
	7012514	1	Fan	
	7020110	1	Bell, Front	
	7020111	1	Bell, Rear	
	7020190	2	Bearing	
	7020193	1	Cord, Power	
8B	7019680	1	Box, Control - 110V	
	70000127	1	Box, Control - 220V	
		A/R	Receptacle Options:	
	4460190	1	Receptacle, Standard (110V Only)	
	4460027	1	Receptacle, Twistlock (110V Only)	
	70000124	1	Receptacle, Double (220V Only)	
	70000125	1	Receptacle, Single (220V Only)	
		1	Breaker, Circuit Options:	
	4360542		Breaker 110V	
	70000126		Breaker 220V	
	3520028	1	Plug, Hole	
8C		1	Voltmeter Options:	
	2420203		Voltmeter - 110V	
	7020192		Voltmeter - 220V	

## SECTION 2 TURNTABLE

**FIGURE 2-16. 2500W GENERATOR INSTALLATION - GM MACHINES (OPTIONAL)  
(CONTINUED)**

ITEM #	PART NUMBER	QTY.	DESCRIPTION	REV.
8D		1	Pulley Options:	
	3580324		Pulley 110V	
	3580325		Pulley 220V	
	7027887	1	Key, Woodruff	
9	2820031	A/R	Heatshrink (Not Shown - Located at Platform)	
10	3251102	1	Nameplate - Generator (Not Shown - Located at Platform)	
11		1	Decal	
	3251243		110 Volt Generator	
	1702590		220 Volt Generator	
12	3311005	2	Locknut # 10-24NC	
13	3311405	1	Locknut 1/4in-20NC	
14	Not Used			
15	3580312	1	Pulley, Idler	
16	3580348	1	Tensioner, Belt	
17	3740080	1	Relay, Bosch	
18	4060802	1	Guard, Switch (Not Shown - Located at Platform)	
19	4240018	A/R	Tie-Strap (Not Shown)	
20	4360336	1	Switch, Toggle (Not Shown - Located at Platform)	
21	4460906	3	Terminal (Not Shown)	
22	4568735	1	Spacer, Tube (Idler Pulley Grooved)	
23	4711400	1	Flatwasher 1/4in Thin	
24	4711700	2	Flatwasher 7/16in Thin	
25	4740397	1	Spacer (Not Shown - Located at Platform)	
26	4751000	2	Flatwasher #10 Regular	
27	4751500	4	Flatwasher 5/16in Regular	
28	4811900	1	Flatwasher 8mm	
29	4891600	1	Flatwasher 3/8in Hardened	

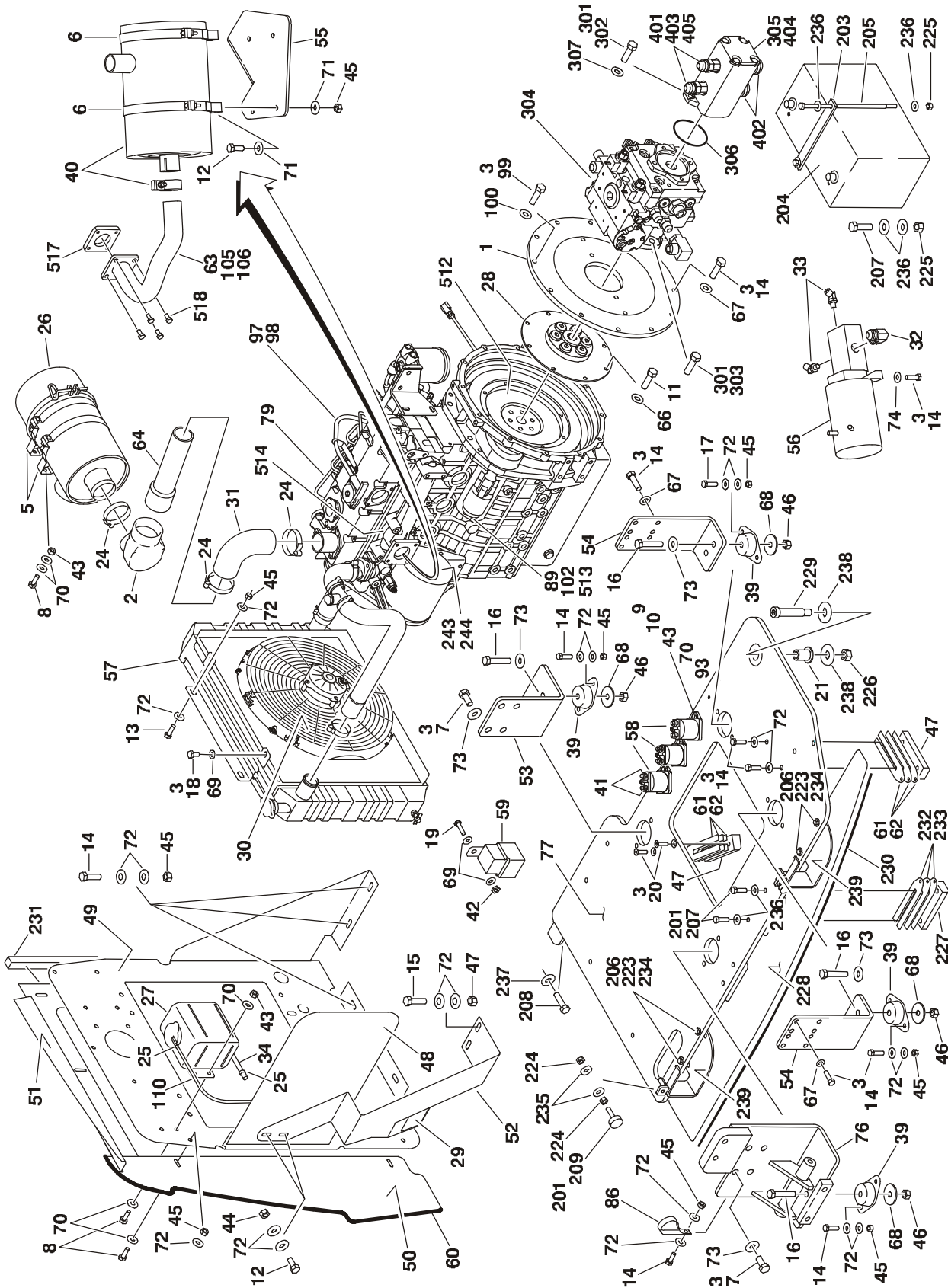
**SECTION 2 TURNTABLE**

**FIGURE 2-16. 2500W GENERATOR INSTALLATION - GM MACHINES (OPTIONAL)  
(CONTINUED)**

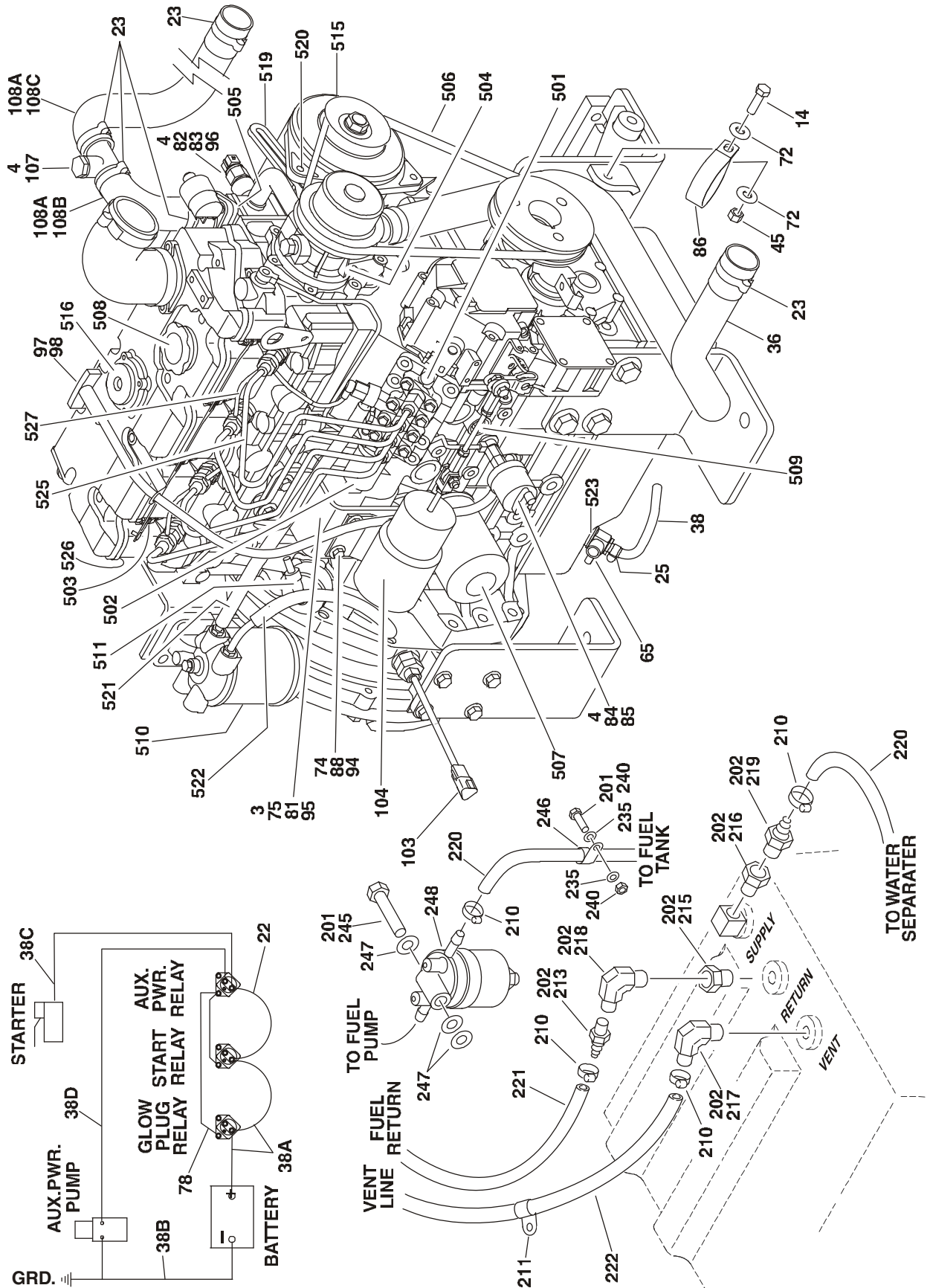
ITEM #	PART NUMBER	QTY.	DESCRIPTION	REV.

# SECTION 2 TURNTABLE

## FIGURE 2-17. PERKINS ENGINE INSTALLATION - WITH ELECTRICAL DRIVEN COOLING FAN (WITHOUT UGM)



# SECTION 2 TURNTABLE





## SECTION 2 TURNTABLE

**FIGURE 2-17. PERKINS ENGINE INSTALLATION - WITH ELECTRICAL DRIVEN COOLING FAN  
(WITHOUT UGM)**

ITEM #	PART NUMBER	QTY.	DESCRIPTION	REV.
		Ref.	<b>NOTE: FOR MODULE IDENTIFICATION, REFER TO REVISION LOG PAGE A.</b>	
		Ref.	<b>NOTE: TO CONVERT ELECTRIC FAN TO MECHANICAL FAN, SEE SECTION 10.</b>	
		Ref.	<b>PERKINS ENGINE ASSEMBLY</b>	
	1001095204	Ref.	<b>Without Arctic Package (All Specs except CE Spec)</b>	J
	1001102991	Ref.	<b>Without Arctic Package (CE Spec Only)</b>	E
	1001095207	Ref.	<b>With Arctic Package</b>	J
1	0080181	1	Adapter, Pump Mounting Plate	
2	0080201	1	Adapter, 90° Air Intake	
3	0100011	A/R	Locking, Compound	
4	0100020	A/R	Sealant	
5	0340041	2	Band, Air Cleaner Mounting	
6	0340046	2	Band, Muffler Mounting	
7	0630569	8	Bolt M14 x 30mm	
8	0641406	13	Bolt 1/4in-20NC x 3/4in	
9	0641408	5	Bolt 1/4in-20NC x 1in	
10	0641410	1	Bolt 1/4in-20NC x 1-1/4in	
11	0641506	8	Bolt 5/16in-18NC x 3/4in	
12	0641507	6	Bolt 5/16in-18NC x 7/8in	
13	0641609	4	Bolt 3/8in-16NC x 1-1/8in	
14	0641610	35	Bolt 3/8in-16NC x 1-1/4in	
15	0641611	2	Bolt 3/8in-16NC x 1-3/8in	
16	0641820	4	Bolt 1/2in-13NC x 2-1/2in	
17	Not Used			
18	0721004	4	Capscrew #10-24NC x 1/2in	
19	0721006	1	Capscrew #10-24NC x 3/4in	
20	0741610	2	Screw, Flat Head 3/8in-16NC x 1-1/4in	
21	0962172	1	Bushing, Flanged	
22	1060904	1	Cable, Jumper	
23	1320012	6	Clamp	
24	1320016	4	Clamp	
25	1320022	A/R	Clamp	
26	1340060	1	Air Cleaner Assembly	
	7012664	1	Element, Air Cleaner	
27	1580011	1	Container, Coolant Overflow	
28	1660255	1	Coupling, Pump	
29	1703162	2	Decal - Caution Fan	
30	2060032	1	Fan, Electric	
31	2180482	1	Elbow, Rubber	
32	2220567	1	Fitting, 90° Adapter	
33	2221045	2	Fitting, 45° Adapter	
34	2720058	4in/10cm	Hose	
35	Not Used			
36	2720508	1	Hose, Radiator (Bottom)	
37	2750532	6in/15cm	Hose	

## SECTION 2 TURNTABLE

**FIGURE 2-17. PERKINS ENGINE INSTALLATION - WITH ELECTRICAL DRIVEN COOLING FAN  
(WITHOUT UGM) (CONTINUED)**

ITEM #	PART NUMBER	QTY.	DESCRIPTION	REV.
38	2901880	1	Battery Cable Kit	D
38A	7016843	1	Cable - Battery to Relays (Includes Red Boot at Battery Terminal)	
38B	7016835	1	Cable - Battery & Auxiliary Pump to Ground (Includes Black Boot at Battery Terminal)	
38C	7016834	1	Cable - Starter Relay to Starter	
38D	7016820	1	Cable - Auxiliary Relay to Auxiliary Pump	
39	3200378	4	Mount, Motor	
40		1	Muffler Options:	
	3220113		Spark Arresting Muffler	
	70001017	1	Clamp	
	Use 1001107116		Catalytic Muffler (was p/n 3220154)	
	70002705	1	Clamp	
	70002706	1	Plug, Brass	
41	3300220	6	Nut, Washer (S/N 0300096000 to S/N 0300131588 Only)	
42	3311005	1	Locknut #10-24NC	
43	3311405	19	Locknut 1/4in-20NC	
44	3311505	6	Locknut 5/16in-18NC	
45	3311605	19	Locknut 3/8in-16NC	
46	3311805	4	Locknut 1/2in-13NC	
47	3340399	2	Pad, Wear	
48	3571019	1	Plate, Air Panel	
49	3571692	1	Plate, Radiator Mount	
50	3572502	1	Plate, Air Control Side	
51	3572503	1	Plate, Air Control Top	
52	3573667	1	Plate, Radiator Support	
53	3574253	1	Plate, Engine Mounting (Front)	
54	3574259	2	Plate, Engine Mounting (Rear)	
55		1	Plate, Muffler Support Options:	
	3574264		S/N 0300096000 to S/N 0300118775	
	1001098525		S/N 0300118775 to S/N 0300145000	
56	3600423	1	Auxiliary Pump Assembly (See Figure 2-22 for Breakdown)	
57	3620046	1	Radiator	
	7019656	1	Cap, Radiator	
58	3740067	3	Relay	
59	3740080	1	Relay	
60	3960389	6ft/1.8m	Seal, Self Gripping	
61	4070497	4	Shim	
62	4070498	2	Shim	
63	4568743	1	Pipe, Exhaust	
64	4569176	1	Tube, Air Intake	
65	4641272	1	Valve, Oil Drain	
66	4711500	8	Flatwasher 5/16in Thin	
67	4711600	18	Flatwasher 3/8in Thin	
68	4740274	4	Washer, Snubbing	
69	4751000	6	Flatwasher #10	
70	4751400	38	Flatwasher 1/4in Regular	
71	4751500	12	Flatwasher 5/16in Regular	
72	4751600	42	Flatwasher 3/8in Regular	

## SECTION 2 TURNTABLE

**FIGURE 2-17. PERKINS ENGINE INSTALLATION - WITH ELECTRICAL DRIVEN COOLING FAN  
(WITHOUT UGM) (CONTINUED)**

ITEM #	PART NUMBER	QTY.	DESCRIPTION	REV.
73	4751800	11	Flatwasher 1/2in Regular	
74	0760612	4	Capscrew M6 x 25mm	
75	0760810	2	Capscrew M8 x 20mm	
76	4846821	1	Mount, Motor/Generator	
77	4846852	1	Weldment, Engine Tray	
78	4922737	1	Harness, Engine Grounding	
79		1	Engine, Perkins 404C-22 Options: All Specs except CE Spec S/N 0300096000 to S/N 0300135381 S/N 0300135381 to Present CE Spec Only S/N 0300096000 to Present	
	1001095205			
	1001102131			
	1001095205			
80	Not Used			
81	3574282	1	Plate, Actuator Mounting	
82	Use 1001125978	1	Sensor, Coolant (was p/n 1001097551)	
83	Use 1001125978	1	Adapter, Coolant Sensor (was p/n 1001097552)	
84	1001097554	1	Sensor, Oil Pressure	
85		1	Adapter, Oil Pressure Sensor Options: 1001097555 Adapter (Closest to Block) 70002107 Adapter (Closest to Sensor)	
86	1001097588	1	Clip, Tube	
87	Not Used			
88	3290605	4	Locknut M6	
89		1	Nut Options: 3311501 Nut 5/16in-18NC (S/N 0300096000 to S/N 0300122764) 3290801 M8 x 1.25 (S/N 0300122764 to Present)	
90 to 92	Not Used			
93	4791400	6	Starwasher 1/4in	
94	5240600	8	Flatwasher M6 Hardened	
95	5240800	2	Flatwasher M8 Hardened	
96	1001097553	1	Washer, Coolant Sensor	
97	1001097588	1	Clip, Dipstick Tube	
98	1001097893	1	Dipstick Assembly 7026885 Dipstick 7026886 Tube, Dipstick 7026847 Washer 7026881 O-Ring	
99		2	Bolt Options: 0641610 Bolt 3/8in-16NC x 1-1/4in (S/N 0300096000 to S/N 0300118775) 0641612 Bolt 3/8in-16NC x 1-1/2in (S/N 0300118775 to Present)	
100		2	Flatwasher Options: 4751600 Flatwasher 3/8in Regular 4891600 Flatwasher 3/8in Hardened	
101	Not Used			
102	4831900	1	Lockwasher 8mm (S/N 0300125679 to Present Only)	
103	1001099926	1	Speed Sensor Kit (Includes Speed Sensor & Connectors)	
104	1001099927	1	Actuator Kit (Includes Actuator, Linkage & Connectors)	
104A	7026843	1	Linkage	

## SECTION 2 TURNTABLE

**FIGURE 2-17. PERKINS ENGINE INSTALLATION - WITH ELECTRICAL DRIVEN COOLING FAN  
(WITHOUT UGM) (CONTINUED)**

ITEM #	PART NUMBER	QTY.	DESCRIPTION	REV.
105	4100025	19in/48cm	Sleeve, Fiberglass (S/N 0300130134 to Present Only)	
106	1001100825	2	Tie-Strap (S/N 0300130134 to Present Only)	
107	1001101228	1	Adapter (S/N 0300130134 to Present Only)	
108		A/R	Hose, Radiator (Top) Options:	
108A	Use 1001102308	1	Service Kit for S/N 0300096000 to S/N 0300130134 (was p/n 2720507. 1001102308 Kit includes qty 1 of items 44B, 44C, 107 & qty 2 of item 23)	
108B	1001101232	1	Hose for S/N 0300130134 to Present (Block to Adapter)	
108C	1001101233	1	Hose for S/N 0300130134 to Present (Adapter to Radiator)	
109	Not Used			
110	2720271	18in/46cm	Hose	
		Ref.	<b>Note: Arctic Package Items 111 - 112 Not Shown - Used on Arctic Machines Only</b>	
111	1702942	1	Decal - Engine Block Heater	
112	2580054	1	Heater, Engine Block	
		Ref.	<b>PERKINS ENGINE INSTALLATION</b>	
	1001095203	Ref.	<b>Without Arctic Package (All Specs except CE Spec)</b>	E
	1001102993	Ref.	<b>Without Arctic Package (CE Spec Only)</b>	B
	1001095206	Ref.	<b>With Arctic Package</b>	G
201	0100011	A/R	Locking, Compound	
202	0100020	A/R	Sealant, Pipe	
203	0361810	1	Bar, Battery Hold-Down	
204	0400075	1	Battery	
205	0630541	2	Bolt, Battery Hold-Down	
206	0641410	4	Bolt 1/4in-20NC x 1-1/4in	
207	0641616	3	Bolt 3/8in-16NC x 2in	
208	0642010	1	Bolt 5/8in-11NC x 1-1/4in	
209	0940049	2	Bumper, Hood	
210	1320022	7	Clamp, Fuel Line	
211	1320223	1	Clamp	
212	1701505	1	Decal, Diesel (Not Shown - See Section 8 for Decal Location)	
213	2180536	1	Fitting, Barbed	
214	2200222	1	Plug, Pipe (Not Shown - Located in Bottom of Fuel Tank)	
215	2220250	1	Fitting, Reducer	
216	2220273	1	Fitting, Reducer	
217	2220313	1	Fitting, 90° Barbed	
218	2220459	1	Fitting, 90°	
219	2220794	1	Fitting, Straight Barbed	
220	2720058	14ft/4.2m	Hose	
221	2720271	12ft/3.7m	Hose	
222	2750532	5ft/1.6m	Hose	
223	3311405	4	Locknut 1/4in-20NC	
224	3311501	4	Nut 5/16in-18NC	
225	3311605	3	Locknut 3/8in-16NC	
226	3312005	1	Locknut 5/8in-11NC	
227	3340399	1	Pad, Wear	
228	3572504	1	Plate, Air Control Bottom	

## SECTION 2 TURNTABLE

**FIGURE 2-17. PERKINS ENGINE INSTALLATION - WITH ELECTRICAL DRIVEN COOLING FAN  
(WITHOUT UGM) (CONTINUED)**

ITEM #	PART NUMBER	QTY.	DESCRIPTION	REV.
229	3900255	1	Screw, Shoulder	
230	3960389	4ft/1.2m	Seal, Self Gripping	
231	3960469	1	Seal, Foam	
232	4070497	2	Shim	
233	4070498	1	Shim	
234	4751400	8	Flatwasher 1/4in Regular	
235	4751500	9	Flatwasher 5/16in Regular	
236	4751600	8	Flatwasher 3/8in Regular	
237	4752000	1	Flatwasher 5/8in Regular	
238	4752200	2	Flatwasher 3/4in Regular	
239		2	Bracket, Hood Latch Options: S/N 0300096000 to S/N 0300121156 (was p/n 4846096) S/N 0300121156 to Present	
	Use 1001094608			
	1001094608			
240	0641408	5	Bolt 1/4in-20NC x 1in	
241		2.7 Gal	Coolant, Anti-Freeze Options (Not Shown): Without Arctic Package With Arctic Package	
	2300004			
	2300041			
242	Not Used			
243	3290501	1	Nut M5 x 0.8 (S/N 0300121156 to Present)	
244	3290601	1	Nut M6 x 1 (S/N 0300121156 to Present)	
245	0641420	1	Bolt 1/4in-20NC x 2-1/2in	
246	1320318	1	Clamp	
247	4711400	3	Flatwasher 1/4in Thin	
248	1001100857	1	Separator, Fuel/Water	
	70002378	1	O-Ring	
	70002377	1	Filter, Fuel	
249 to 250	Not Used	Ref.	<b>Note: Arctic Package Items 251-257 Not Shown - Used on Arctic Machines Only</b>	
251	1060626	1	Cord, 3 Way Extension	
252	1320318	1	Clamp (Located on Between Battery & Engine)	
253	1702941	1	Decal - Battery Heater	
253	1702943	1	Decal - Hydraulic Tank Heater (Located on Bottom of Hydraulic Oil Tank)	
254	1702944	1	Decal - Heater Cord (Located on Between Battery & Engine)	
255	2580024	1	Heater, Battery (Located on Battery)	
256	2580050	1	Heater, Hydraulic Tank (Located on Bottom of Hydraulic Oil Tank)	
257	3980007	1	Seat, Battery	
		Ref.	<b>PERKINS ENGINE AND PUMP SUB-ASSEMBLY</b>	
	1001095879	Ref.	<b>Without Arctic Package (All Specs except CE Spec)</b>	D
	1001102992	Ref.	<b>Without Arctic Package (CE Spec Only)</b>	C
	1001095880	Ref.	<b>With Arctic Package</b>	D
301	0100011	A/R	Locking, Compound	
302	0641608	2	Bolt 3/8in-16NC x 1in	
303	0641812	2	Bolt 1/2in-13NC x 1-1/2in	
304	3600404	1	Piston Pump Assembly (See Figure 2-21 for Breakdown)	

## SECTION 2 TURNTABLE

**FIGURE 2-17. PERKINS ENGINE INSTALLATION - WITH ELECTRICAL DRIVEN COOLING FAN  
(WITHOUT UGM) (CONTINUED)**

ITEM #	PART NUMBER	QTY.	DESCRIPTION	REV.
305	3600405	1	Gear Pump Assembly (See Items 401-405 for Breakdown)	A
306	3790152	1	O-Ring	
307	4891600	2	Flatwasher 3/8in Hardened	
308	Not Used			
309		2.5 Gal	Oil, Engine Options (Not Shown):	
	3020016		Without Arctic Package (15W-40)	
	3020044		With Arctic Package (0W-40)	
	3600405	Ref.	<b>GEAR PUMP ASSEMBLY WITH FITTINGS</b>	
401	2220385	2	Fitting, Tee	
402	2220479	2	Fitting, Straight	
403	2220810	2	Fitting, Reducer	
404	3600368	1	Gear Pump Assembly Less Fittings	
	7024962		Seal Kit - 3600368 Pump (Includes Soft Seals)	
			<b>Note: Seal Kit is only service part are available.</b>	
405	4640744	2	Valve, Check	
		Ref.	<b>ENGINE COMPONENTS</b>	
		Ref.	<b>All Specs except CE Spec</b>	
	1001095205	Ref.	<b>S/N 0300096000 to S/N 0300135381</b>	
	1001102131	Ref.	<b>S/N 0300135381 to Present</b>	
	1001095205	Ref.	<b>CE Spec Only</b>	
501	70001386	1	Pump, Fuel Injection	
	70001388	A/R	Shim 0.2MM	
	70001389	A/R	Shim 0.25MM	
	70001390	A/R	Shim 0.3MM	
	70001391	A/R	Shim 0.35MM	
	70001392	A/R	Shim 0.4MM	
	70001393	A/R	Shim 0.5MM	
	70001394	A/R	Shim 0.5MM Flat	
502	70001387	1	Solenoid, Fuel Injection	
503	70001395	4	Glowplug	
504	70001396	1	Pump, Water (Includes p/n 70001397 Only)	
	70001397	1	Gasket, Water Pump to Plate	
	70001398	1	Gasket, Plate to Engine Block	
505	70001400	1	Thermostat	
	70001399	1	Gasket, Thermostat Neck to Thermostat Housing	
	70001401	1	Gasket, Thermostat Housing to Engine Block	
	70002105	1	Housing, Thermostat	
	70002106	1	Hose, Thermostat Housing to Water Pump	
506	70001402	1	Belt	
507	70001403	1	Filter, Oil	
508	70001404	1	Cap, Oil Fill	
	70001405	1	Seal, Oil Fill Cap	
509	70001406	1	Valve, Relief	
	70001407	1	Seal, O-Ring	

## SECTION 2 TURNTABLE

**FIGURE 2-17. PERKINS ENGINE INSTALLATION - WITH ELECTRICAL DRIVEN COOLING FAN  
(WITHOUT UGM) (CONTINUED)**

ITEM #	PART NUMBER	QTY.	DESCRIPTION	REV.
510	70001408	1	Fuel Bowl & Filter Assembly	
	70001409	1	Fuel Filter Kit (Includes 1 Filter Element & 4 Seals)	
511	70001410	1	Pump, Lift	
	70001411	1	Seal, O-Ring	
512	70001412	1	Flywheel	
	70001413	1	Ring, Starter	
513	70001414	1	Starter	
	70001415	1	Solenoid, Start	
514	70001416	1	Gasket, Exhaust Manifold to Engine Block	
515	70001417	1	Alternator	
	70002234	1	Bracket, Adjusting	
516	70001418	1	Valve, Breather	
517	70001419	1	Gasket, Exhaust Manifold to Exhaust Tube	
518	0700808	4	Bolt M8 x 16mm	
519	70001792	1	Arm, Alternator Adjusting	
520	70001793	2	Screw	
	70001794	1	Washer (Located at Arm Pivot Bolt)	
	70001796	1	Washer (Located at Alternator Adjustment Bolt)	
521	70002109	1	Pipe, Fuel	
522	70002098	1	Hose, Fuel	
523	70002108	1	Washer, Drain Plug Sealing	
524	70002104	1	Pipe, Oil Sump (Not Shown - Located inside Oil Pan)	
525	70002100	1	Pipe, Fuel Injector (#1 Cylinder)	
	70002101	1	Pipe, Fuel Injector (#2 Cylinder)	
	70002102	1	Pipe, Fuel Injector (#3 Cylinder)	
	70002103	1	Pipe, Fuel Injector (#4 Cylinder)	
526	70002099	1	Gasket, Head Cover	
527	70002433	1	Pipe, Fuel Injector Return	
528	70002461	1	Piston & Ring Kit (Engine p/n 1001102131 Only) (Not Shown)	
529	70002462	4	Pin (Engine p/n 1001102131 Only) (Not Shown)	
530	70002463	8	Circlip (Engine p/n 1001102131 Only) (Not Shown)	
531	70002704	1	Gasket, Oil Pan (Not Shown)	
532		1	Gasket, Head Options (Not Shown):	
	70003033		Gasket, Head - 0.5MM	
	Use 70003033		Gasket, Head - 0.4MM (was p/n 70003034)	

**SECTION 2 TURNTABLE**

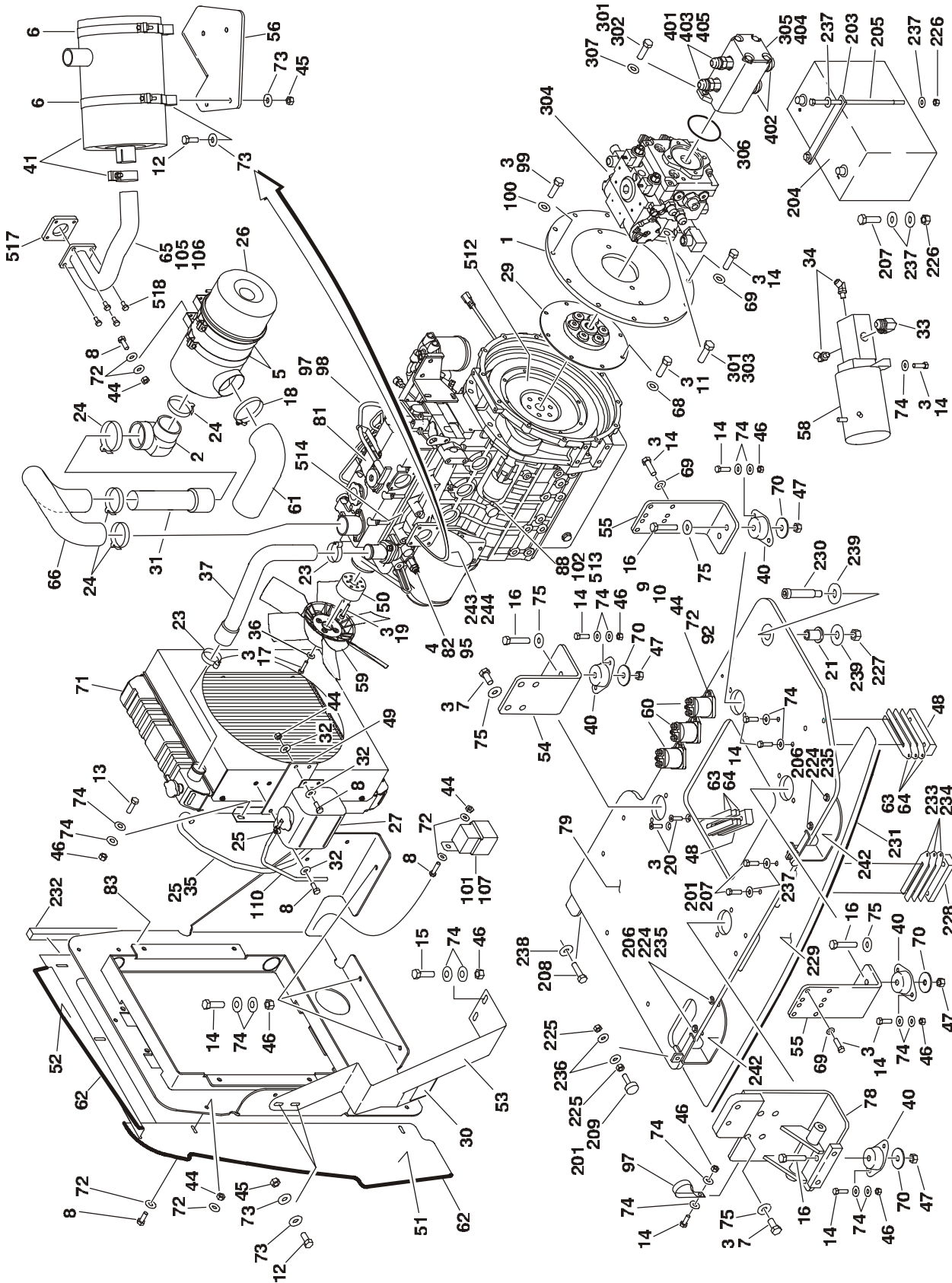
**FIGURE 2-17. PERKINS ENGINE INSTALLATION - WITH ELECTRICAL DRIVEN COOLING FAN  
(WITHOUT UGM) (CONTINUED)**

ITEM #	PART NUMBER	QTY.	DESCRIPTION	REV.

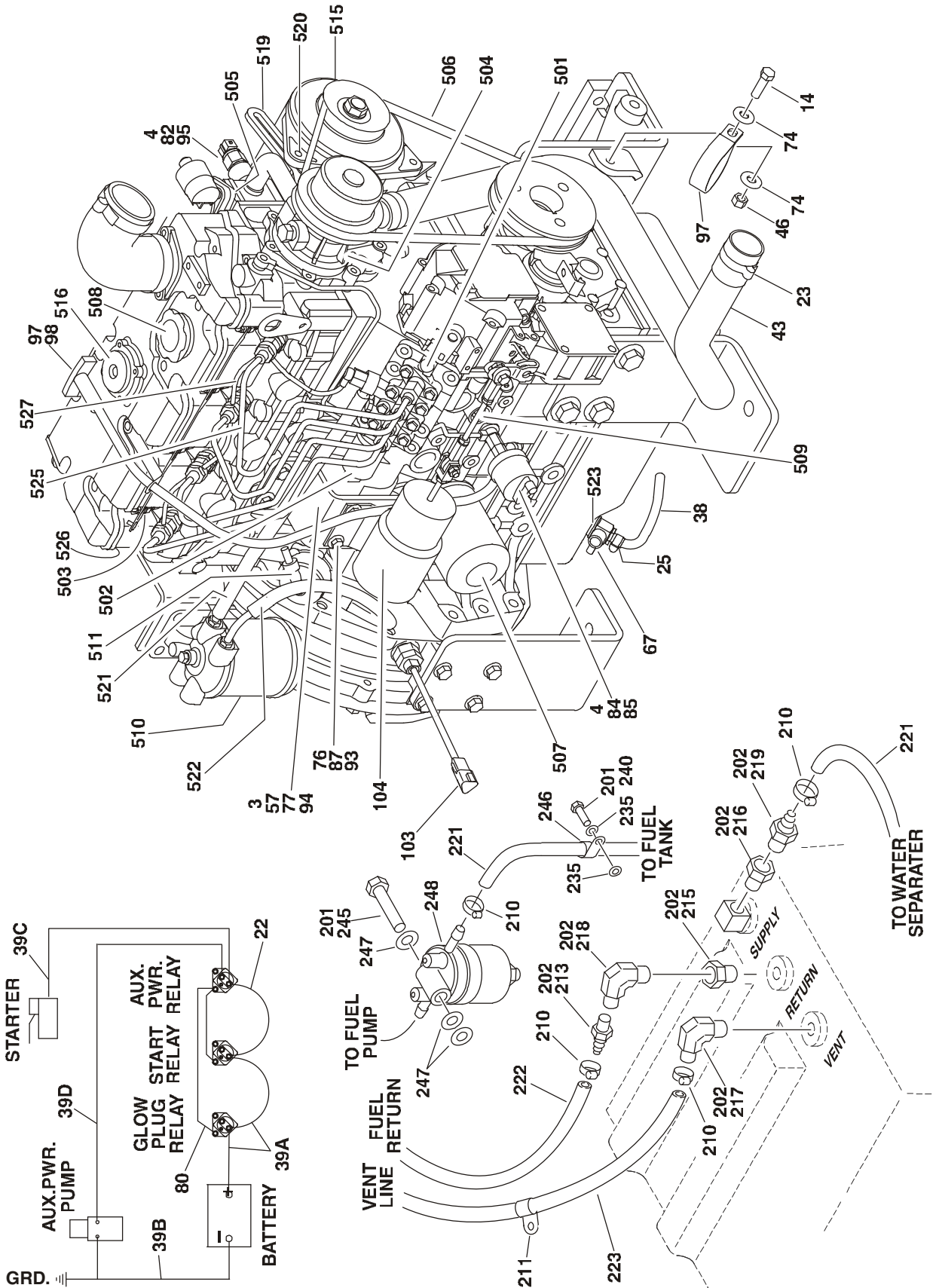


# SECTION 2 TURNTABLE

## FIGURE 2-18. PERKINS ENGINE INSTALLATION - WITH MECHANICAL DRIVEN COOLING FAN (WITHOUT UGM)



# SECTION 2 TURNTABLE



## SECTION 2 TURNTABLE

**FIGURE 2-18. PERKINS ENGINE INSTALLATION - WITH MECHANICAL DRIVEN COOLING FAN (WITHOUT UGM)**

ITEM #	PART NUMBER	QTY.	DESCRIPTION	REV.
		Ref.	<b>NOTE: FOR MODULE IDENTIFICATION, REFER TO REVISION LOG PAGE A.</b>	
		Ref.	<b>PERKINS ENGINE ASSEMBLY</b>	
	1001130296	Ref.	<b>Without Arctic Package (All Specs except CE Spec)</b>	B
	1001130294	Ref.	<b>Without Arctic Package (CE Spec Only)</b>	B
	1001130295	Ref.	<b>With Arctic Package</b>	B
1	0080181	1	Adapter, Pump Mounting Plate	
2	0080201	1	Adapter, 90° Air Intake	
3	0100011	A/R	Locking, Compound	
4	0100020	A/R	Sealant	
5	0340041	2	Band, Air Cleaner Mounting	
6	0340046	2	Band, Muffler Mounting	
7	0630569	8	Bolt M14 x 30mm	
8	0641406	13	Bolt 1/4in-20NC x 3/4in	
9	0641408	5	Bolt 1/4in-20NC x 1in	
10	0641410	1	Bolt 1/4in-20NC x 1-1/4in	
11	0641506	8	Bolt 5/16in-18NC x 3/4in	
12	0641507	6	Bolt 5/16in-18NC x 7/8in	
13	0641609	4	Bolt 3/8in-16NC x 1-1/8in	
14	0641610	34	Bolt 3/8in-16NC x 1-1/4in	
15	0641611	2	Bolt 3/8in-16NC x 1-3/8in	
16	0641820	4	Bolt 1/2in-13NC x 2-1/2in	
17	0760815	4	Bolt M8 x 35mm	
18	1320058	1	Clamp	
19	4031711	4	Bolt M6 x 35mm	
20	0741610	2	Screw, Flat Head 3/8in-16NC x 1-1/4in	
21	0962172	1	Bushing, Flanged	
22	1060904	1	Cable, Jumper	
23	1320012	4	Clamp	
24	1320016	4	Clamp	
25	1320022	A/R	Clamp	
26	1340060	1	Air Cleaner Assembly	
	7012664	1	Element, Air Cleaner	
27	1580011	1	Container, Coolant Overflow	
28	Not Used			
29	1660255	1	Coupling, Pump	
30	1703162	2	Decal - Caution Fan	
31	4569176	1	Tube, Air Intake	
32	4711400	6	Flatwasher 1/4in Thin	
33	2220567	1	Fitting, 90° Adapter	
34	2221045	2	Fitting, 45° Adapter	
35	2720058	4in/10cm	Hose	
36	4891500	4	Flatwasher 5/16in Hardened	
37	1001100577	1	Hose, Radiator (Top)	
38	2750532	6in/15cm	Hose	

## SECTION 2 TURNTABLE

**FIGURE 2-18. PERKINS ENGINE INSTALLATION - WITH MECHANICAL DRIVEN COOLING FAN (WITHOUT UGM) (CONTINUED)**

ITEM #	PART NUMBER	QTY.	DESCRIPTION	REV.
39	2901880	1	Battery Cable Kit	E
39A	7016843	1	Cable - Battery to Relays (Includes Red Boot at Battery Terminal)	
39B	7016835	1	Cable - Battery & Auxiliary Pump to Ground (Includes Black Boot at Battery Terminal)	
39C	7016834	1	Cable - Starter Relay to Starter	
39D	7016820	1	Cable - Auxiliary Relay to Auxiliary Pump	
40	3200378	4	Mount, Motor	
41		1	Muffler Options:	
	3220113		Spark Arresting Muffler	
	70001017	1	Clamp	
	1001107116		Catalytic Muffler	
	70002705	1	Clamp	
	70002706	1	Plug, Brass	
42	Not Used			
43	1001100818	1	Hose, Radiator (Bottom)	
44	3311405	17	Locknut 1/4in-20NC	
45	3311505	6	Locknut 5/16in-18NC	
46	3311605	18	Locknut 3/8in-16NC	
47	3311805	4	Locknut 1/2in-13NC	
48	3340399	2	Pad, Wear	
49	1001100837	1	Bracket, Bottle	
50	1001101201	1	Adapter, Fan Spacer	
51	3572502	1	Plate, Air Control Side	
52	3572503	1	Plate, Air Control Top	
53	3573667	1	Plate, Radiator Support	
54	3574253	1	Plate, Engine Mounting (Front)	
55	3574259	2	Plate, Engine Mounting (Rear)	
56	1001098525	1	Plate, Muffler Support	
57	3574282	1	Plate, Actuator Mounting	
58	3600423	1	Auxiliary Pump Assembly (See Figure 2-22 for Breakdown)	
59	1001101408	1	Fan	
60	3740067	3	Relay	
61	1001101681	1	Elbow, Rubber	
62	3960389	1	Seal, Self Gripping	
63	4070497	4	Shim	
64	4070498	2	Shim	
65	4568743	1	Pipe, Exhaust	
66	1001101950	1	Tube, Air Intake	
67		1	Valve, Oil Drain Options:	
	4640751		Without Arctic Package (All Specs except CE Spec)	
	4641272		Without Arctic Package (CE Spec Only)	
	4641272		With Arctic Package	
68	4711500	8	Flatwasher 5/16in Thin	
69	4711600	18	Flatwasher 3/8in Thin	
70	4740274	4	Washer, Snubbing	
71	1001102706	1	Radiator	
72	4751400	30	Flatwasher 1/4in Regular	
73	4751500	12	Flatwasher 5/16in Regular	

## SECTION 2 TURNTABLE

**FIGURE 2-18. PERKINS ENGINE INSTALLATION - WITH MECHANICAL DRIVEN COOLING FAN (WITHOUT UGM) (CONTINUED)**

ITEM #	PART NUMBER	QTY.	DESCRIPTION	REV.
74	4751600	40	Flatwasher 3/8in Regular	
75	4751800	11	Flatwasher 1/2in Regular	
76	0760612	4	Capscrew M6 x 25mm	
77	0760810	2	Capscrew M8 x 20mm	
78	4846821	1	Mount, Motor/Generator	
79	4846852	1	Weldment, Engine Tray	
80	4922737	1	Harness, Engine Grounding	
81		1	Engine, Perkins 404C-22 Options:	
	1001102131		All Specs except CE Spec	
	1001102270		CE Spec Only	
82	1001125978	1	Sensor, Temperature	
83	1001128125	1	Plate, Radiator Mount	
84	1001097554	1	Sensor, Oil Pressure	
85	1001097555	1	Adapter, Oil Pressure Sensor	
86	Not Used			
87	3290605	4	Locknut M6	
88	3290801	1	Nut M8 x 1.25	
89 to 91	Not Used			
92	4791400	6	Starwasher 1/4in	
93	5240600	8	Flatwasher M6 Hardened	
94	5240800	2	Flatwasher M8 Hardened	
95	1001097553	1	Washer, Coolant Sensor	
96	Not Used			
97	1001097588	1	Clip, Tube	
98	1001097893	1	Dipstick Assembly	
	7026885	1	Dipstick	
	7026886	1	Tube, Dipstick	
	7026847	2	Washer	
	7026881	1	O-Ring	
99	0641612	2	Bolt 3/8in-16NC x 1-1/2in	
100	4891600	2	Flatwasher 3/8in Hardened	
101	3740080	1	Relay	
102	4831900	1	Lockwasher 8mm	
103	1001099926	1	Speed Sensor Kit (Includes Speed Sensor & Connectors)	
104	1001099927	1	Actuator Kit (Includes Actuator, Linkage & Connectors)	
104A	7026843	1	Linkage	
105	4100025	19in/48cm	Sleeve, Fiberglass	
106	1001100825	2	Tie-Strap	
107	4460121	2	Terminal	
108 to 109	Not Used			
110	2720271	18in/46cm Ref.	Hose <b>Note: Arctic Package Items 111 - 112 Not Shown - Used on Arctic Machines Only</b>	
111	1702942	1	Decal - Engine Block Heater	
112	2580054	1	Heater, Engine Block	

## SECTION 2 TURNTABLE

**FIGURE 2-18. PERKINS ENGINE INSTALLATION - WITH MECHANICAL DRIVEN COOLING FAN (WITHOUT UGM) (CONTINUED)**

ITEM #	PART NUMBER	QTY.	DESCRIPTION	REV.
		Ref.	<b>PERKINS ENGINE INSTALLATION</b>	
	1001130549	Ref.	<b>Without Arctic Package (All Specs except CE Spec)</b>	A
	1001130550	Ref.	<b>Without Arctic Package (CE Spec Only)</b>	A
	1001130548	Ref.	<b>With Arctic Package</b>	A
201	0100011	A/R	Locking, Compound	
202	0100020	A/R	Sealant, Pipe	
203	0361810	1	Bar, Battery Hold-Down	
204	0400075	1	Battery	
205	0630541	2	Bolt, Battery Hold-Down	
206	0641410	4	Bolt 1/4in-20NC x 1-1/4in	
207	0641616	3	Bolt 3/8in-16NC x 2in	
208	0642010	1	Bolt 5/8in-11NC x 1-1/4in	
209	0940049	2	Bumper, Hood	
210	1320022	7	Clamp, Fuel Line	
211	1320223	1	Clamp	
212	1701505	1	Decal, Diesel (Not Shown - See Section 8 for Decal Location)	
213	2180536	1	Fitting, Barbed	
214	2200222	1	Plug, Pipe (Not Shown - Located in Bottom of Fuel Tank)	
215	2220250	1	Fitting, Reducer	
216	2220273	1	Fitting, Reducer	
217	2220313	1	Fitting, 90° Barbed	
218	2220459	1	Fitting, 90°	
219	2220794	1	Fitting, Straight Barbed	
220		2.7 Gal	Coolant, Anti-Freeze Options (Not Shown):	
	2300004		Without Arctic Package	
	2300041		With Arctic Package	
221	2720058	14ft/4.2m	Hose	
222	2720271	12ft/3.7m	Hose	
223	2750532	5ft/1.6m	Hose	
224	3311405	4	Locknut 1/4in-20NC	
225	3311501	4	Nut 5/16in-18NC	
226	3311605	3	Locknut 3/8in-16NC	
227	3312005	1	Locknut 5/8in-11NC	
228	3340399	1	Pad, Wear	
229	3572504	1	Plate, Air Control Bottom	
230	3900255	1	Screw, Shoulder	
231	3960389	4ft/1.2m	Seal, Self Gripping	
232	3960469	1	Seal, Foam	
233	4070497	2	Shim	
234	4070498	1	Shim	
235	4751400	9	Flatwasher 1/4in Regular	
236	4751500	4	Flatwasher 5/16in Regular	
237	4751600	8	Flatwasher 3/8in Regular	
238	4752000	1	Flatwasher 5/8in Regular	
239	4752200	2	Flatwasher 3/4in Regular	
240	0641408	1	Bolt 1/4in-20NC x 1in	
241	Not Used			

## SECTION 2 TURNTABLE

**FIGURE 2-18. PERKINS ENGINE INSTALLATION - WITH MECHANICAL DRIVEN COOLING FAN (WITHOUT UGM) (CONTINUED)**

ITEM #	PART NUMBER	QTY.	DESCRIPTION	REV.
242	1001094608	2	Bracket, Hood Latch	
243	3290501	1	Nut M5 x 0.8	
244	3290601	1	Nut M6 x 1	
245	0641420	1	Bolt 1/4in-20NC x 2-1/2in	
246	1320318	1	Clamp	
247	4711400	3	Flatwasher 1/4in Thin	
248	1001100857	1	Separator, Fuel/Water	
	70002378	1	O-Ring	
	70002377	1	Filter, Fuel	
249 to 250	Not Used			
		Ref.	<b>Note: Arctic Package Items 251-257 Not Shown - Used on Arctic Machines Only</b>	
251	1060626	1	Cord, 3 Way Extension	
252	1320318	1	Clamp (Located on Between Battery & Engine)	
253	1702941	1	Decal - Battery Heater	
253	1702943	1	Decal - Hydraulic Tank Heater (Located on Bottom of Hydraulic Oil Tank)	
254	1702944	1	Decal - Heater Cord (Located on Between Battery & Engine)	
255	2580024	1	Heater, Battery (Located on Battery)	
256	2580050	1	Heater, Hydraulic Tank (Located on Bottom of Hydraulic Oil Tank)	
257	3980007	1	Seat, Battery	
		Ref.	<b>PERKINS ENGINE AND PUMP SUB-ASSEMBLY</b>	
	1001130544	Ref.	<b>Without Arctic Package (All Specs except CE Spec)</b>	A
	1001130543	Ref.	<b>Without Arctic Package (CE Spec Only)</b>	A
	1001130545	Ref.	<b>With Arctic Package</b>	A
301	0100011	A/R	Locking, Compound	
302	0641608	2	Bolt 3/8in-16NC x 1in	
303	0641812	2	Bolt 1/2in-13NC x 1-1/2in	
304	3600404	1	Piston Pump Assembly (See Figure 2-21 for Breakdown)	
305	3600405	1	Gear Pump Assembly (See Items 401-405 for Breakdown)	
306	3790152	1	O-Ring	
307	4891600	2	Flatwasher 3/8in Hardened	
308		2.5 Gal	Oil, Engine Options (Not Shown):	
	3020016		Without Arctic Package (15W-40)	
	3020044		With Arctic Package (0W-40)	
309	Not Used			
	3600405	Ref.	<b>GEAR PUMP ASSEMBLY WITH FITTINGS</b>	A
401	2220385	2	Fitting, Tee	
402	2220479	2	Fitting, Straight	
403	2220810	2	Fitting, Reducer	
404	3600368	1	Gear Pump Assembly Less Fittings	
	7024962		Seal Kit - 3600368 Pump (Includes Soft Seals)	
			<b>Note: Seal Kit is only service part are available.</b>	
405	4640744	2	Valve, Check	

## SECTION 2 TURNTABLE

**FIGURE 2-18. PERKINS ENGINE INSTALLATION - WITH MECHANICAL DRIVEN COOLING FAN (WITHOUT UGM) (CONTINUED)**

ITEM #	PART NUMBER	QTY.	DESCRIPTION	REV.
		Ref.	<b>ENGINE COMPONENTS</b>	
	1001102131	Ref.	<b>All Specs except CE Spec</b>	
	1001102270	Ref.	<b>CE Spec Only</b>	
501	70001386	1	Pump, Fuel Injection	
	70001388	A/R	Shim 0.2MM	
	70001389	A/R	Shim 0.25MM	
	70001390	A/R	Shim 0.3MM	
	70001391	A/R	Shim 0.35MM	
	70001392	A/R	Shim 0.4MM	
	70001393	A/R	Shim 0.5MM	
	70001394	A/R	Shim 0.5MM Flat	
502	70001387	1	Solenoid, Fuel Injection	
503	70001395	4	Glowplug	
504	70001396	1	Pump, Water (Includes p/n 70001397 Only)	
	70001397	1	Gasket, Water Pump to Plate	
	70001398	1	Gasket, Plate to Engine Block	
505	70001400	1	Thermostat	
	70001399	1	Gasket, Thermostat Neck to Thermostat Housing	
	70001401	1	Gasket, Thermostat Housing to Engine Block	
	70002105	1	Housing, Thermostat	
	70002106	1	Hose, Thermostat Housing to Water Pump	
506	70001402	1	Belt	
507	70001403	1	Filter, Oil	
508	70001404	1	Cap, Oil Fill	
	70001405	1	Seal, Oil Fill Cap	
509	70001406	1	Valve, Relief	
	70001407	1	Seal, O-Ring	
510	70001408	1	Fuel Bowl & Filter Assembly	
	70001409	1	Fuel Filter Kit (Includes 1 Filter Element & 4 Seals)	
511	70001410	1	Pump, Lift	
	70001411	1	Seal, O-Ring	
512	70001412	1	Flywheel	
	70001413	1	Ring, Starter	
513	70001414	1	Starter	
	70001415	1	Solenoid, Start	
514	70001416	1	Gasket, Exhaust Manifold to Engine Block	
515	70001417	1	Alternator	
	70002234	1	Bracket, Adjusting	
516	70001418	1	Valve, Breather	
517	70001419	1	Gasket, Exhaust Manifold to Exhaust Tube	
518	0700808	4	Bolt M8 x 16mm	
519	70001792	1	Arm, Alternator Adjusting	
520	70001793	2	Screw	
	70001794	1	Washer (Located at Arm Pivot Bolt)	
	70001796	1	Washer (Located at Alternator Adjustment Bolt)	
521	70002109	1	Pipe, Fuel	
522	70002098	1	Hose, Fuel	



## SECTION 2 TURNTABLE

**FIGURE 2-18. PERKINS ENGINE INSTALLATION - WITH MECHANICAL DRIVEN COOLING FAN (WITHOUT UGM) (CONTINUED)**

ITEM #	PART NUMBER	QTY.	DESCRIPTION	REV.
523	70002108	1	Washer, Drain Plug Sealing	
524	70002104	1	Pipe, Oil Sump (Not Shown - Located inside Oil Pan)	
525	70002100	1	Pipe, Fuel Injector (#1 Cylinder)	
	70002101	1	Pipe, Fuel Injector (#2 Cylinder)	
	70002102	1	Pipe, Fuel Injector (#3 Cylinder)	
	70002103	1	Pipe, Fuel Injector (#4 Cylinder)	
526	70002099	1	Gasket, Head Cover	
527	70002433	1	Pipe, Fuel Injector Return (Engine p/n 1001102131 Only)	
528	70002461	1	Piston & Ring Kit (Engine p/n 1001102131 Only) (Not Shown)	
529	70002462	4	Pin (Engine p/n 1001102131 Only) (Not Shown)	
530	70002463	8	Circlip (Engine p/n 1001102131 Only) (Not Shown)	
531	70002704	1	Gasket, Oil Pan (Not Shown)	
532		1	Gasket, Head Options (Engine p/n 1001102131 Only) (Not Shown):	
	70003033		Gasket, Head - 0.5MM	
	70003034		Gasket, Head - 0.4MM	

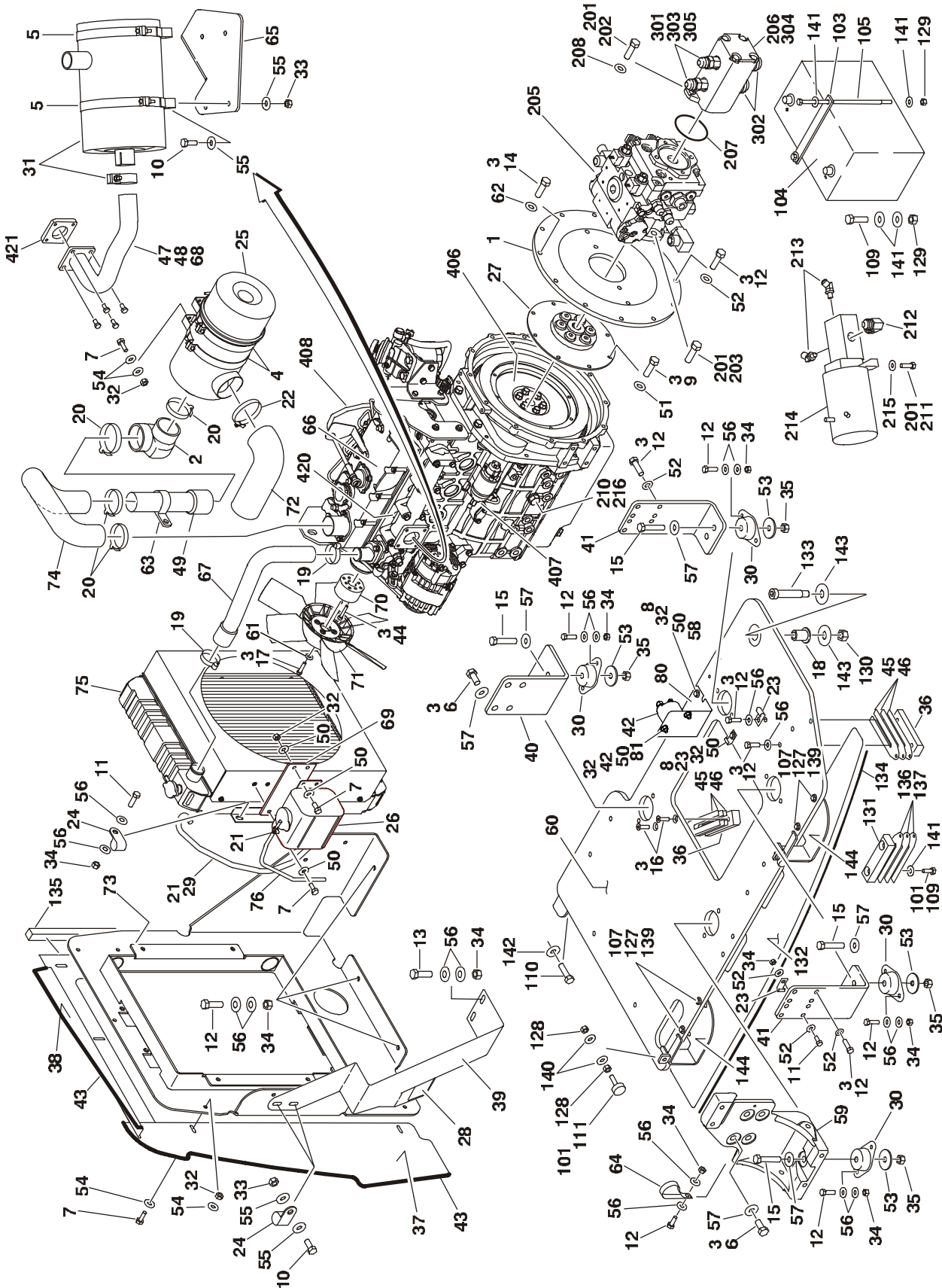
**SECTION 2 TURNTABLE**

**FIGURE 2-18. PERKINS ENGINE INSTALLATION - WITH MECHANICAL DRIVEN COOLING FAN (WITHOUT UGM) (CONTINUED)**

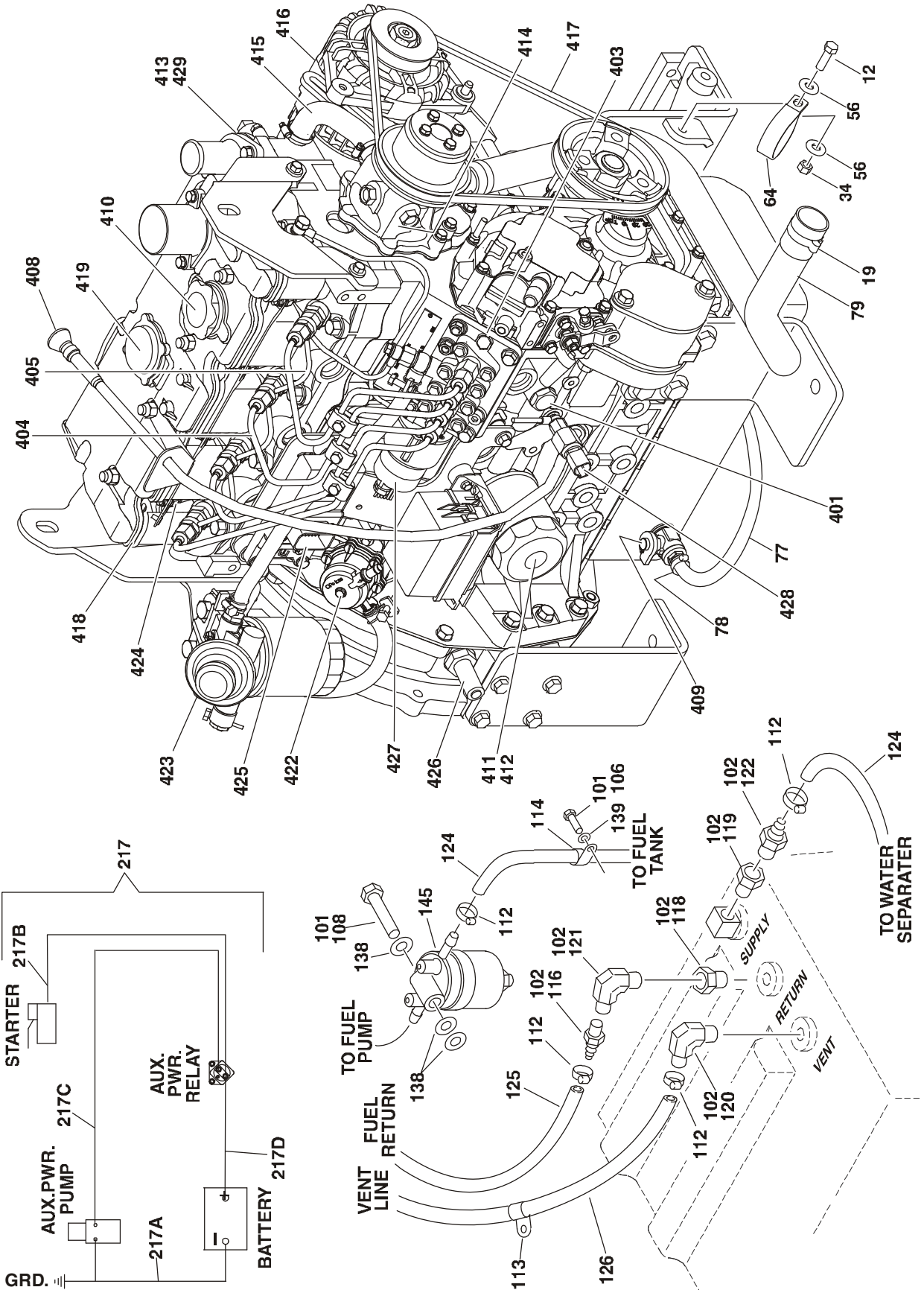
ITEM #	PART NUMBER	QTY.	DESCRIPTION	REV.

# SECTION 2 TURNTABLE

## FIGURE 2-19. PERKINS ENGINE INSTALLATION (WITH UGM)



# SECTION 2 TURNTABLE



## SECTION 2 TURNTABLE

**FIGURE 2-19. PERKINS ENGINE INSTALLATION (WITH UGM)**

ITEM #	PART NUMBER	QTY.	DESCRIPTION	REV.
		Ref.	<b>NOTE: FOR MODULE IDENTIFICATION, REFER TO REVISION LOG PAGE A.</b>	
	1001100469	Ref.	<b>PERKINS ENGINE ASSEMBLY</b>	E
1	0080181	1	Adapter, Pump Mounting Plate	
2	0080201	1	Adapter, 90° Air Intake	
3	0100011	A/R	Locking, Compound	
4	0340041	2	Band, Air Cleaner Mounting	
5	0340046	2	Band, Muffler Mounting	
6	0630569	8	Bolt M14 x 30mm	
7	0641406	13	Bolt 1/4in-20NC x 3/4in	
8	0641408	5	Bolt 1/4in-20NC x 1in	
9	0641506	8	Bolt 5/16in-18NC x 3/4in	
10	0641507	6	Bolt 5/16in-18NC x 7/8in	
11	0641609	5	Bolt 3/8in-16NC x 1-1/8in	
12	0641610	32	Bolt 3/8in-16NC x 1-1/4in	
13	0641611	2	Bolt 3/8in-16NC x 1-3/8in	
14	0641614	2	Bolt 3/8in-16NC x 1-3/4in	
15	0641820	4	Bolt 1/2in-13NC x 2-1/2in	
16	0741610	2	Screw, Flat Head 3/8in-16NC x 1-1/4in	
17	0760815	4	Bolt M8 x 35mm	
18	0962172	1	Bushing, Flanged	
19	1320012	4	Clamp	
20	1320016	4	Clamp	
21	1320022	3	Clamp	
22	1320058	1	Clamp	
23	1320223	5	Clamp	
24	1320318	2	Clamp	
25	1340060	1	Air Cleaner Assembly	
	7012664	1	Element, Air Cleaner	
26	1580011	1	Container, Coolant Overflow	
27	1660255	1	Coupling, Pump	
28	1703162	2	Decal - Caution Fan	
29	2720058	3ft/0.9m	Hose	
30	3200378	4	Mount, Motor	
31		1	Muffler Options:	
	3220113		Spark Arresting Muffler	
	70001017	1	Clamp	
	Use 1001107116		Catalytic Muffler (was p/n 3220154)	
	70002705	1	Clamp	
	70002706	1	Plug, Brass	
32	3311405	A/R	Locknut 1/4in-20NC	
33	3311505	6	Locknut 5/16in-18NC	
34	3311605	19	Locknut 3/8in-16NC	
35	3311805	4	Locknut 1/2in-13NC	
36	3340399	2	Pad, Wear	
37	3572502	1	Plate, Air Control Side	
38	3572503	1	Plate, Air Control Top	

## SECTION 2 TURNTABLE

**FIGURE 2-19. PERKINS ENGINE INSTALLATION (WITH UGM) (CONTINUED)**

ITEM #	PART NUMBER	QTY.	DESCRIPTION	REV.
39	3573667	1	Plate, Radiator Support	
40	3574253	1	Plate, Engine Mounting (Front)	
41	3574259	2	Plate, Engine Mounting (Rear)	
42	3740067	1	Relay, Assy	
43	3960438	6ft/1.8m	Seal, Self Gripping	
44	4031711	4	Bolt M6 x 35mm	
45	4070497	4	Shim	
46	4070498	2	Shim	
47	4100025	19in/48cm	Sleeve, Fiberglass	
48	4568743	1	Pipe, Exhaust	
49	4569176	1	Tube, Air Intake	
50	4711400	A/R	Flatwasher 1/4in Thin	
51	4711500	8	Flatwasher 5/16in Thin	
52	4711600	20	Flatwasher 3/8in Thin	
53	4740274	4	Washer, Snubbing	
54	4751400	18	Flatwasher 1/4in Regular	
55	4751500	12	Flatwasher 5/16in Regular	
56	4751600	38	Flatwasher 3/8in Regular	
57	4751800	12	Flatwasher 1/2in Regular	
58	4791400	2	Starwasher 1/4in (Prior to S/N 0300151953)	
59		1	Mount, Motor/Generator Options: 4846821                      Prior to S/N 0300151953 1001102585                 S/N 0300151953 to Present	
60	4846852	1	Weldment, Engine Tray	
61	4891500	4	Flatwasher 5/16in Hardened	
62	4891600	2	Flatwasher 3/8in Hardened	
63	85941018	1	Clamp	
64	1001097588	1	Clip, Tube	
65	1001098525		Plate, Muffler Support	
66	1001099370	1	Engine, Perkins 404C-22	
67	1001100577	1	Hose, Radiator (Top)	
68	1001100825	2	Tie-Strap	
69	1001100837	1	Bracket, Bottle	
70	1001101201	1	Adapter, Fan Spacer	
71	1001101408	1	Fan	
72	1001101681	1	Elbow, Rubber	
73	1001101733	1	Mount, Radiator	
74	1001101950	1	Tube, Air Intake	
75	1001102706	1	Radiator	
76	2720271	18in/46cm	Hose	
77	2720615	6in/15cm	Hose	
78	8405006	1	Clamp	
79	1001100818	1	Hose, Radiator (Bottom)	
80	1001121115	1	Mount, Relay (S/N 0300151953 to Present)	
81	0641405	2	Bolt 1/4in-20NC X 5/8in (S/N 0300151953 to Present)	

## SECTION 2 TURNTABLE

**FIGURE 2-19. PERKINS ENGINE INSTALLATION (WITH UGM) (CONTINUED)**

ITEM #	PART NUMBER	QTY.	DESCRIPTION	REV.
		Ref.	<b>PERKINS ENGINE INSTALLATION</b>	
	1001103770	Ref.	<b>Without Arctic Package</b>	B
	1001106461	Ref.	<b>With Arctic Package</b>	A
101	0100011	A/R	Locking, Compound	
102	0100020	A/R	Sealant, Pipe	
103	0361810	1	Bar, Battery Hold-Down	
104	0400075	1	Battery	
105	0630541	2	Bolt, Battery Hold-Down	
106	0641405	2	Bolt 1/4in-20NC x 5/8in	
107	0641410	4	Bolt 1/4in-20NC x 1-1/4in	
108	0641418	1	Bolt 1/4in-20NC x 2-1/4in	
109	0641616	3	Bolt 3/8in-16NC x 2in	
110	0642010	1	Bolt 5/8in-11NC x 1-1/4in	
111	0940049	2	Bumper, Hood	
112	1320022	7	Clamp, Fuel Line	
113	1320223	1	Clamp	
114	1320318	2	Clamp	
115	1701505	1	Decal, Diesel (Not Shown - See Section 8 for Decal Location)	
116	2180536	1	Fitting, Barbed	
117	2200222	1	Plug, Pipe (Not Shown - Located in Bottom of Fuel Tank)	
118	2220250	1	Fitting, Reducer	
119	2220273	1	Fitting, Reducer	
120	2220313	1	Fitting, 90° Barbed	
121	2220459	1	Fitting, 90°	
122	2220794	1	Fitting, Straight Barbed	
123		2.7 Gal	Coolant, Anti-Freeze Options (Not Shown):	
	2300004		Without Arctic Package	
	2300041		With Arctic Package	
124	2720058	14ft/4.2m	Hose	
125	2720271	12ft/3.7m	Hose	
126	2750532	5ft/1.6m	Hose	
127	3311405	4	Locknut 1/4in-20NC	
128	3311501	4	Nut 5/16in-18NC	
129	3311605	3	Locknut 3/8in-16NC	
130	3312005	1	Locknut 5/8in-11NC	
131	3340399	1	Pad, Wear	
132	3572504	1	Plate, Air Control Bottom	
133	3900255	1	Screw, Shoulder	
134	3960389	4ft/1.2m	Seal, Self Gripping	
135	3960469	1	Seal, Foam	
136	4070497	2	Shim	
137	4070498	1	Shim	
138	4711400	3	Flatwasher 1/4in Thin	
139	4751400	10	Flatwasher 1/4in Regular	
140	4751500	4	Flatwasher 5/16in Regular	
141	4751600	8	Flatwasher 3/8in Regular	
142	4752000	1	Flatwasher 5/8in Regular	
143	4752200	2	Flatwasher 3/4in Regular	

## SECTION 2 TURNTABLE

**FIGURE 2-19. PERKINS ENGINE INSTALLATION (WITH UGM) (CONTINUED)**

ITEM #	PART NUMBER	QTY.	DESCRIPTION	REV.
144	1001094608	2	Bracket, Hood Latch	
145	1001100857	1	Separator, Fuel/Water	
	70002378	1	O-Ring	
	70002377	1	Filter, Fuel	
146	Not Used			
		Ref.	<b>Note: Arctic Package Items 147-153 Not Shown - Used on Arctic Machines Only.</b>	
147	1060626	1	Cord, 3 Way Extension	
148	1702941	1	Decal - Battery Heater	
149	1702943	1	Decal - Hydraulic Tank Heater (Located on Bottom of Hydraulic Oil Tank)	
150	1702944	1	Decal - Heater Cord (Located on Between Battery & Engine)	
151	2580024	1	Heater, Battery (Located on Battery)	
152	2580050	1	Heater, Hydraulic Tank (Located on Bottom of Hydraulic Oil Tank)	
153	3980007	1	Seat, Battery	
		Ref.	<b>PERKINS ENGINE AND PUMP SUB-ASSEMBLY</b>	
	1001103769	Ref.	<b>Without Arctic Package</b>	B
	1001106460	Ref.	<b>With Arctic Package</b>	A
201	0100011	A/R	Locking, Compound	
202	0641608	2	Bolt 3/8in-16NC x 1in	
203	0641812	2	Bolt 1/2in-13NC x 1-1/2in	
204		2.5 Gal	Oil, Engine Options (Not Shown):	
	3020016		Without Arctic Package (15W-40)	
	3020044		With Arctic Package (0W-40)	
205	3600404	1	Piston Pump Assembly (See Figure 2-21 for Breakdown)	
206	3600405	1	Gear Pump Assembly (See Items 301-305 for Breakdown)	
207	3790152	1	O-Ring	
208	4891600	2	Flatwasher 3/8in Hardened	
209	Not Used			
210	0630569	1	Bolt M14 x 1.5 x 30mm	
211	0641610	2	Bolt 3/8in-16NC x 1-1/4in	
212	2220567	1	Fitting, 90°	
213	2221045	2	Fitting, Straight	
214	3600423	1	Auxiliary Pump Assembly (See Figure 2-22 for Breakdown)	
215	4751600	2	Flatwasher 3/8in Wide	
216	4751800	2	Flatwasher 1/2in Wide	
217	1001102859	1	Battery Cable Kit	B
217A	7027022	1	Cable - Battery & Auxiliary Pump to Ground (Includes Black Boot at Battery Terminal)	
217B	7027024	1	Cable - Auxiliary Power Relay to Starter	
217C	7027023	1	Cable - Auxiliary Power Relay to Auxiliary Pump	
217D	7027021	1	Cable - Battery to Relays (Includes Red Boot at Battery Terminal)	
		Ref.	<b>Note: Arctic Package Items 218-219 Not Shown - Used on Arctic Machines Only.</b>	
218	1702942	1	Decal - Engine Block Heater	
219	2580054	1	Heater, Engine Block	



## SECTION 2 TURNTABLE

FIGURE 2-19. PERKINS ENGINE INSTALLATION (WITH UGM) (CONTINUED)

ITEM #	PART NUMBER	QTY.	DESCRIPTION	REV.
	3600405	Ref.	<b>GEAR PUMP ASSEMBLY WITH FITTINGS</b>	A
301	2220385	2	Fitting, Tee	
302	2220479	2	Fitting, Straight	
303	2220810	2	Fitting, Reducer	
304	3600368	1	Gear Pump Assembly Less Fittings	
	7024962		Seal Kit - 3600368 Pump (Includes Soft Seals) <b>Note: Seal Kit is only service part are available.</b>	
305	4640744	2	Valve, Check	
	1001099370	Ref.	<b>ENGINE COMPONENTS</b>	
401	70001406	1	Valve, Relief	
	70001407	1	Seal, O-Ring	
402	70002459	1	Sensor, Speed (Not Shown)	
403	70002436	1	Pump, Fuel Injection	
	70001388		Shim 0.2MM	
	70001389		Shim 0.25MM	
	70001390		Shim 0.3MM	
	70001391		Shim 0.35MM	
	70001392		Shim 0.4MM	
	70001393		Shim 0.5MM	
	70001394		Shim 0.5MM Flat	
404	70002100	1	Pipe, Fuel Injector (#1 Cylinder)	
	70002101	1	Pipe, Fuel Injector (#2 Cylinder)	
	70002102	1	Pipe, Fuel Injector (#3 Cylinder)	
	70002103	1	Pipe, Fuel Injector (#4 Cylinder)	
405	70002437	1	Pipe, Fuel Injector Return	
406	70001412	1	Flywheel	
	70001413	1	Ring, Starter	
407	70001414	1	Starter	
408	70002438	1	Dipstick	
	70002439	1	Tube, Dipstick	
	70002440	3	O-Ring	
409	70002441	1	Washer, Drain Plug Sealing	
410	70001404	1	Cap, Oil Fill	
	70001405	1	Seal, Oil Fill Cap	
411	70001403	1	Filter, Oil	
412	70002442	1	Connector, Oil Filter	
413	70002443	1	Thermostat	
	70001399	1	Gasket, Thermostat Neck to Thermostat Housing	
	70001401	1	Gasket, Thermostat Housing to Engine Block	
414	70002444	1	Pump, Water (Includes p/n 70002445 Only)	
	70002445	1	Gasket, Water Pump to Plate	
415	70002446	1	Hose, Water Pump to Engine Head	
416	70001417	1	Alternator	
417	70002447	1	Belt	
418	70002099	1	Gasket, Head Cover	
419	70001418	1	Valve, Breather	
420	70001416	1	Gasket, Exhaust Manifold to Engine Block	

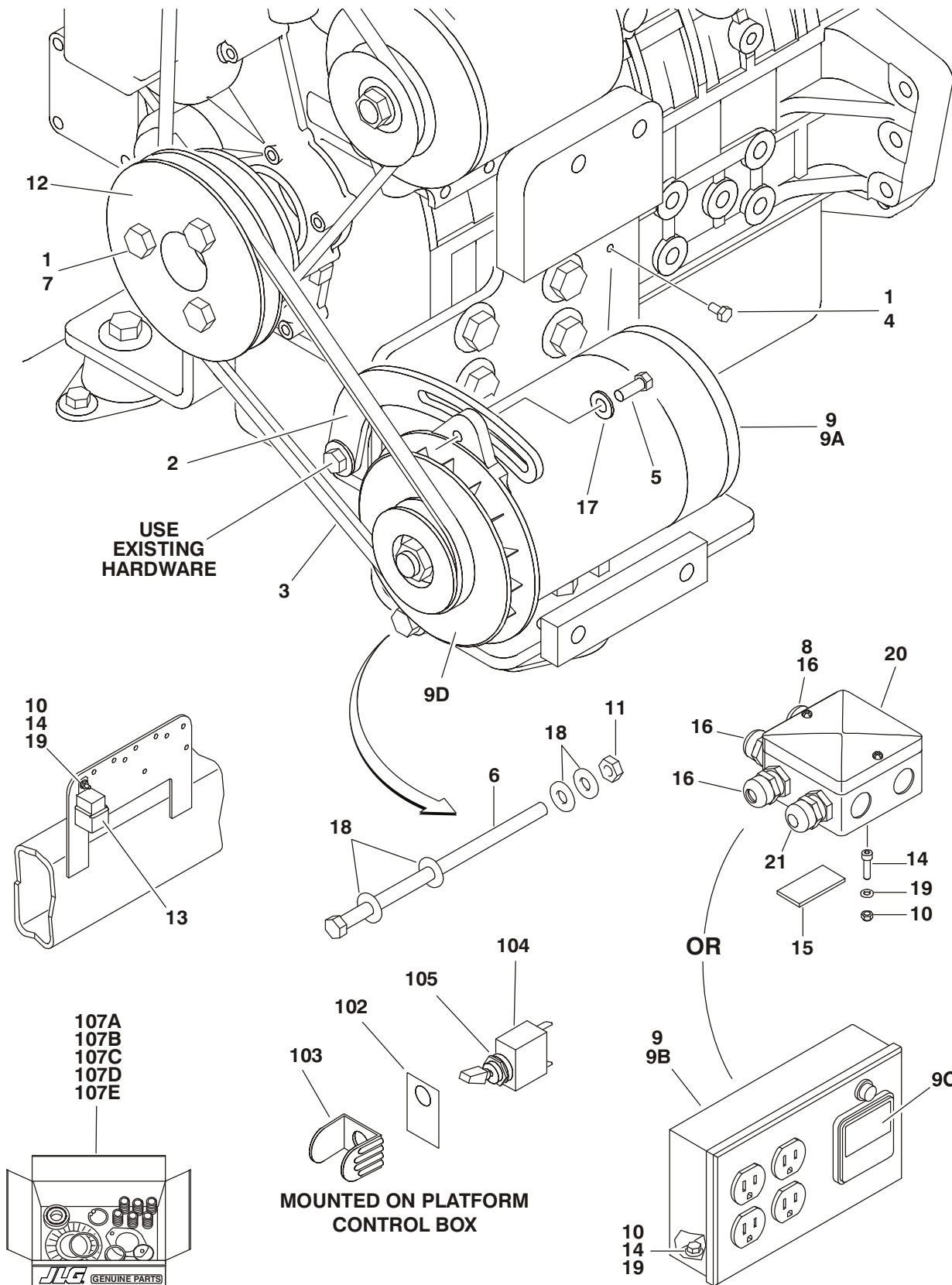
**SECTION 2 TURNTABLE**

**FIGURE 2-19. PERKINS ENGINE INSTALLATION (WITH UGM) (CONTINUED)**

ITEM #	PART NUMBER	QTY.	DESCRIPTION	REV.
421	70001419	1	Gasket, Exhaust Manifold to Exhaust Tube	
422	70002448	1	Pump, Lift	
	70001411	1	Seal, O-Ring	
423	70002449	1	Fuel Filter Head Assembly	
	70002450	1	Fuel Filter	
424	70001395	4	Glowplug	
425	70002451	1	Module, Engine Control	
	70002452	1	Harness, Wiring	
	70002453	1	Bracket	
	70002454	1	Isolator	
426	70002455	1	Sensor, Speed	
427	70002456	1	Actuator	
	70002108	1	Washer	
428	70002457	1	Switch, Oil Pressure	
429	70002458	1	Switch, Water Temperature	

# SECTION 2 TURNTABLE

FIGURE 2-20. 2500W GENERATOR INSTALLATION - PERKINS MACHINES (OPTIONAL)



## SECTION 2 TURNTABLE

**FIGURE 2-20. 2500W GENERATOR INSTALLATION - PERKINS MACHINES (OPTIONAL)**

ITEM #	PART NUMBER	QTY.	DESCRIPTION	REV.
		Ref.	<b>Note: Refer to Sky Power Accessories Manual p/n 3124242 for the Miller 7500W Generator.</b>	
		Ref.	<b>GENERATOR KIT COMPONENTS</b>	
	See Note	Ref.	<b>110V/60HZ Generator (ANSI &amp; ANSI Export Specs) (was p/n 1001097339)</b>	B
			<b>Note: For Aftermarket Installation, Use P/N 1001097327</b>	
	See Note	Ref.	<b>110V/50HZ Generator (CE Specs) (S/N 0300096000 to S/N 0300131127) (was p/n's 1001097325 &amp; 1001097340) Note: For Aftermarket Installation, Use P/N 1001100944</b>	C
	1001100944	Ref.	<b>110V/50HZ Generator (CE Specs) (S/N 0300131127 to Present)</b>	B
	See Note	Ref.	<b>220V/50HZ Generator (ANSI Export, Australian &amp; CE Specs) (S/N 0300096000 to S/N 0300131127) (was p/n's 1001097324 &amp; 1001097340) Note: For Aftermarket Installation, Use P/N 1001100943</b>	B
	1001100943	Ref.	<b>220V/50HZ Generator (ANSI Export, Australian &amp; CE Specs) (S/N 0300131127 to Present)</b>	B
1	0100011	A/R	Locking, Compound	
2	0200742	1	Arm, Adjusting	
3		1	V-Belt Options:	
	0480122		60Hz Generator (S/N 0300096000 to S/N 0300116099)	
	0480121		60Hz Generator (S/N 0300116099 to Present)	
	0480120		50Hz Generator	
4	0641404	1	Bolt 1/4in-20NC x 1/2in	
5	0641508	1	Bolt 5/16in-18NC x 1in	
6	0641772	1	Bolt 7/16in-14NC x 9in	
7	0701217	3	Bolt M12 x 45mm	
8	0962449	1	Bushing (50Hz Only)	
9		1	Generator and Control Box Assembly Options:	
	2460055		110V/60Hz Assembly	
	2460057		110V/50Hz Assembly (Includes Generator & Control Box) (S/N 0300096000 to S/N 0300131127)	
	2460049		110V/50Hz Assembly (Includes Generator Only. Junction Box Must be Purchased Separately) (S/N 0300131127 to Present)	
	2460013		220V/50Hz Assembly (Includes Generator & Control Box) (was p/n 2460013) (S/N 0300096000 to S/N 0300131127)	
	1001100321		220V/50Hz Assembly (Includes Generator Only. Junction Box Must be Purchased Separately) (S/N 0300131127 to Present)	
9A	7012558	1	Generator Only - 110V/60Hz	
	2460049	1	Generator Only - 110V50Hz	
	1001100321	1	Generator Only - 220V/50Hz	
		Ref.	<b>Note: Replacement Generators come standard with p/n 3580134 pulley. This pulley may not be correct for all applications. Refer to pulley options below.</b>	
		1	Armature with Slip Rings Options:	
	7026199		Armature with Slip Rings - 110V/60Hz	
	70000122		Armature with Slip Rings - 110V/50Hz	
	70000123		Armature with Slip Rings - 220V/50Hz	
	7012513	4	Cap, Brush Holder	

## SECTION 2 TURNTABLE

**FIGURE 2-20. 2500W GENERATOR INSTALLATION - PERKINS MACHINES (OPTIONAL)  
(CONTINUED)**

ITEM #	PART NUMBER	QTY.	DESCRIPTION	REV.
9A (cont'd)	7020108	4	Brush	
	7020109	4	Holder, Brush	
	7012514	1	Fan	
	7020110	1	Bell, Front	
	7020111	1	Bell, Rear	
	7020190	2	Bearing	
	7020193	1	Cord, Power	
	9B	7019680	1	Box, Control - 110V/60Hz
7019680		1	Box, Control - 110V/50Hz (S/N 0300096000 to S/N 0300131127)	
Not Required		1	Box, Control - 110V/50Hz (S/N 0300131127 to Present)	
70002235		1	Box, Control - 220V/50Hz (S/N 0300096000 to S/N 0300131127)	
Not Required		1	Box, Control - 220V/50Hz (S/N 0300131127 to Present)	
		A/R	Receptacle Options:	
4460190		1	Receptacle, Standard (110V Only)	
4460027		1	Receptacle, Twistlock (110V Only)	
70000124		1	Receptacle, Double (220V/50Hz Only)	
70000125		1	Receptacle, Single (220V/50Hz Only)	
		1	Breaker, Circuit Options:	
4360542			Breaker 110V	
70000126			Breaker 220V/50Hz	
3520028		1	Plug, Hole	
2920162		1	Lamp Assembly (Not Required on 2460055 & 2460057 Generator Assemblies)	
7020191	1	Switch, Toggle (Not Required on 2460055 & 2460057 Generator Assemblies)		
9C		1	Voltmeter Options:	
	2420203		Voltmeter - 110V	
	7020192		Voltmeter - 220V	
9D		1	Pulley Options:	
	3580276		Pulley - 60Hz	
	3580134		Pulley - 50Hz	
	7027887	1	Key, Woodruff	
10		A/R	Locknut Options:	
	3311005		Locknut #10-24NC	
	3290505		Locknut M5	
11	3311705	1	Locknut 7/16in-14NC	
12	3580158	1	Pulley	
13	3740080	1	Relay	
14		A/R	Bolt Options:	
	0721006		Bolt #10-24NC x 3/4in	
	0721008		Bolt #10-24NC x 1in	
	4031608		Capscrew M5 x 20mm	
15	4420060	3in/8cm	Tape, Double Sided (50Hz Generators S/N 0300131127 to Present)	
16	4460968	3	Connector, Strain Relief (50Hz Generators S/N 0300131127 to Present)	
17	4751500	A/R	Flatwasher 5/16in Regular	

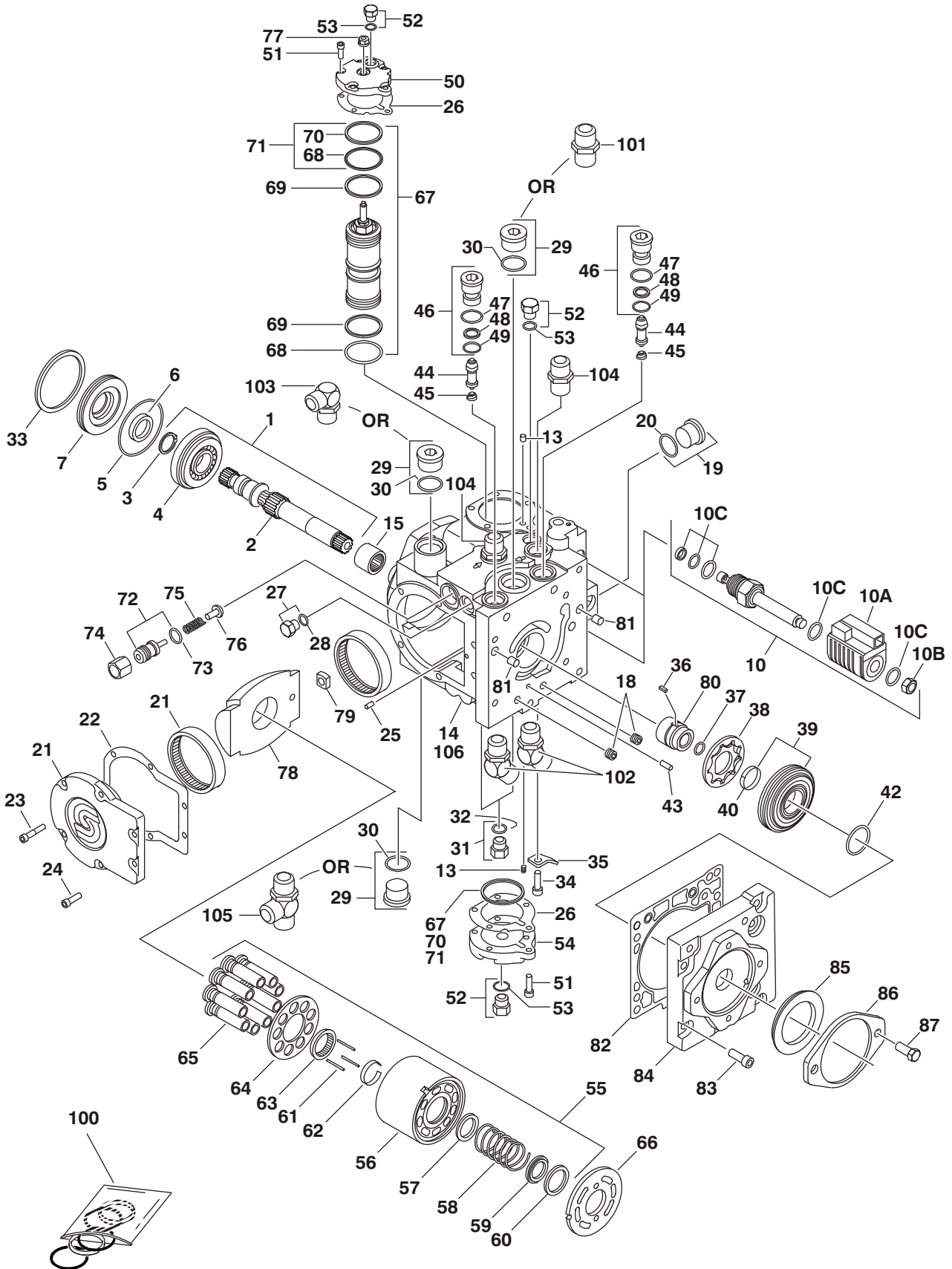
## SECTION 2 TURNTABLE

**FIGURE 2-20. 2500W GENERATOR INSTALLATION - PERKINS MACHINES (OPTIONAL)  
(CONTINUED)**

ITEM #	PART NUMBER	QTY.	DESCRIPTION	REV.
18	4751700	6	Flatwasher 7/16in Regular	
19		A/R	Flatwasher Options:	
	4751000		Flatwasher #10 Regular	
	4811600		Flatwasher M5	
20	1001099869	1	Box, Junction (50Hz Generators S/N 0300131127 to Present)	
21	1001100233	1	Light, Red (50Hz Generators S/N 0300131127 to Present)	
		Ref.	<b>GENERATOR INSTALLATION</b>	
		Ref.	<b>110V/60Hz Generator (ANSI &amp; ANSI Export Specs) Options:</b>	
	1001097325	Ref.	<b>Without UGM</b>	C
	1001111285	Ref.	<b>With UGM</b>	A
		Ref.	<b>110V/50Hz Generator (CE Spec) Options:</b>	
	1001097339	Ref.	<b>S/N 0300096000 to S/N 0300131127</b>	B
	1001100942	Ref.	<b>Without UGM (S/N 0300131127 to Present)</b>	B
	1001111815	Ref.	<b>With UGM</b>	A
		Ref.	<b>220V/50HZ Generator (ANSI Export, CE &amp; Australian Specs) Options:</b>	
	1001097324	Ref.	<b>S/N 0300096000 to S/N 0300131127</b>	B
	1001100941	Ref.	<b>Without UGM (S/N 0300131127 to Present)</b>	B
	1001111814	Ref.	<b>With UGM</b>	A
101	2820031	1	Heatshrink (Not Shown - Located at Platform)	
102	3251102	1	Decal (Located at Platform)	
103	4060802	1	Guard, Switch (Located at Platform)	
104	4360336	1	Switch, Toggle (Located at Platform)	
105	4740397	1	Washer (Located at Platform)	
106	Not Used			
107		1	Generator Kit Options:	
107A	1001097327		110V/60HZ Generator (ANSI & ANSI Export Specs) Note: No Aftermarket Installation Kit Available Purchase Individual Items	
107B	See Note		110V/50HZ Generator (CE Specs) (S/N 0300096000 to S/N 0300131127) (was p/n 1001097339 & 1001097340) Note: For Aftermarket Installation, Use P/N 1001100944	
107C	1001100944		110V/50HZ Generator (CE Specs) (S/N 0300131127 to Present)	
107D	See Note		220V/50HZ Generator (ANSI Export, Australian & CE Specs) (S/N 0300096000 to S/N 0300131127) (was p/n 1001097324 & 1001097330) Note: For Aftermarket Installation, Use P/N 1001100943	
107E	1001100943		220V/50HZ Generator (ANSI Export, Australian & CE Specs) (S/N 0300131127 to Present)	

# SECTION 2 TURNTABLE

## FIGURE 2-21. PISTON PUMP ASSEMBLY



## SECTION 2 TURNTABLE

### FIGURE 2-21. PISTON PUMP ASSEMBLY

ITEM #	PART NUMBER	QTY.	DESCRIPTION	REV.
	3600385	Ref.	<b>PISTON PUMP ASSEMBLY</b>	B
1	7021240	1	Shaft Assembly (Includes Items 2-4)	
2	7021237	1	Shaft	
3	7021238	1	Ring, Retaining	
4	7021239	1	Bearing, Roller	
5	Use 7021280	1	O-Ring	
6	7021242	1	Seal, Lip	
7	7021243	1	Carrier, Seal Shaft	
8	Not Used			
9	Not Used			
10	7024855	1	Solenoid Assembly (Includes Items 10A-10C)	
10A	7024856	2	Coil	
10B	7024857	2	Nut	
10C	7024858	2	Seal Kit - 7024855 Cartridge	
11 to 12	Not Used			
13	7022377	2	Orifice	
14	7022378	1	Housing Assembly (Includes Items 15-20)	
15	7021249	1	Bearing, Needle	
16 to 17	Not Used			
18	7001485	2	Plug	
19	7022380	1	Plug (Includes Item 20)	
20	7022381	1	O-Ring	
21	7021248	1	Side Cover Assembly (Includes Item 22)	
22	Use 7021280	1	Gasket	
23	7021255	4	Screw	
24	7021251	2	Screw	
25	7021250	1	Pin	
26	Use 7021280	2	Gasket	
27 to 28	Not Used			
29	7007419	2	Plug Assembly	
30	Use 7021280	2	O-Ring	
31	7007470	2	Plug Assembly	
32	Use 7021280	2	O-Ring	
33	7021257	1	Ring, Retaining	
34	7021251	1	Screw	
35	7022340	1	Bracket, Lifting	
36	7022342	1	Key	
37	7022341	1	Ring, Retaining	
38	7021258	1	Gerotor	
39	7021260	1	Gerotor Cover Assembly	
40	7021259	1	Bearing, Journal	
41	Not Used			
42	Use 7021280	1	O-Ring	
43	See Note	1	Pin <b>(Note: Not Available for Purchase.)</b>	
44	7021263	2	SCR Valve	
45	7024800	2	Spring	



## SECTION 2 TURNTABLE

**FIGURE 2-21. PISTON PUMP ASSEMBLY (CONTINUED)**

ITEM #	PART NUMBER	QTY.	DESCRIPTION	REV.
46	7021265	2	Bypass Valve Assembly (Includes Items 47-49)	
47	Use 7021280	2	O-Ring	
48	Use 7021280	2	Ring, Back Up	
49	Use 7021280	2	O-Ring	
50	7022382	1	Cover, Servo	
51	7021255	10	Screw	
52	7007470	1	Plug Assembly	
53	Use 7021280	1	O-Ring	
54	7021268	1	Cover, Servo	
55	7021269	1	Cylinder Block Assembly (Includes Items 56-65)	
56	7021270	1	Cylinder Block	
57	7021271	1	Washer	
58	7021272	1	Spring	
59	7021273	1	Washer	
60	7021274	1	Ring, Retaining	
61	7021275	3	Pin, Slipper Hold Down	
62	7021276	1	Retainer, Hold Down Pin	
63	7021277	1	Guide, Slipper Retainer	
64	7021278	1	Retainer, Slipper	
65	7021279	9	Piston Assembly	
66	7021281	1	Plate, Valve	
67	7022385	1	Servo Piston Assembly (Includes Items 68-70)	
68	Use 7021280	2	O-Ring	
69	Use 7021280	2	Ring, Bearing	
70	Use 7021280	2	Ring, Piston	
71	7007412	1	Servo Piston Ring Kit (Includes Items 68 & 70 Only)	
72	7022346	1	Plug Assembly	
73	Use 7021280	1	O-Ring	
74	7021290	1	Nut	
75	7022347	1	Spring	
76	7024804	1	Poppet	
77	Use 7021280	1	Nut, Seal	
78	7022386	1	Swashplate	
79	7022387	1	Slider, Block	
80	7021294	1	Coupling	
81	7001481	2	Pin	
82	70002257	1	Gasket	
83	7021296	7	Screw	
84	7021297	1	Cover, Charge Pump	
85	7021298	1	Seal	
86	7021299	1	Plate, Cover	
87	7007289	2	Screw	
100	7021280	1	Seal Kit (Includes Items 5-6,22,26,30,32,42,47-49,53,68-70, 73,77 & 82)	

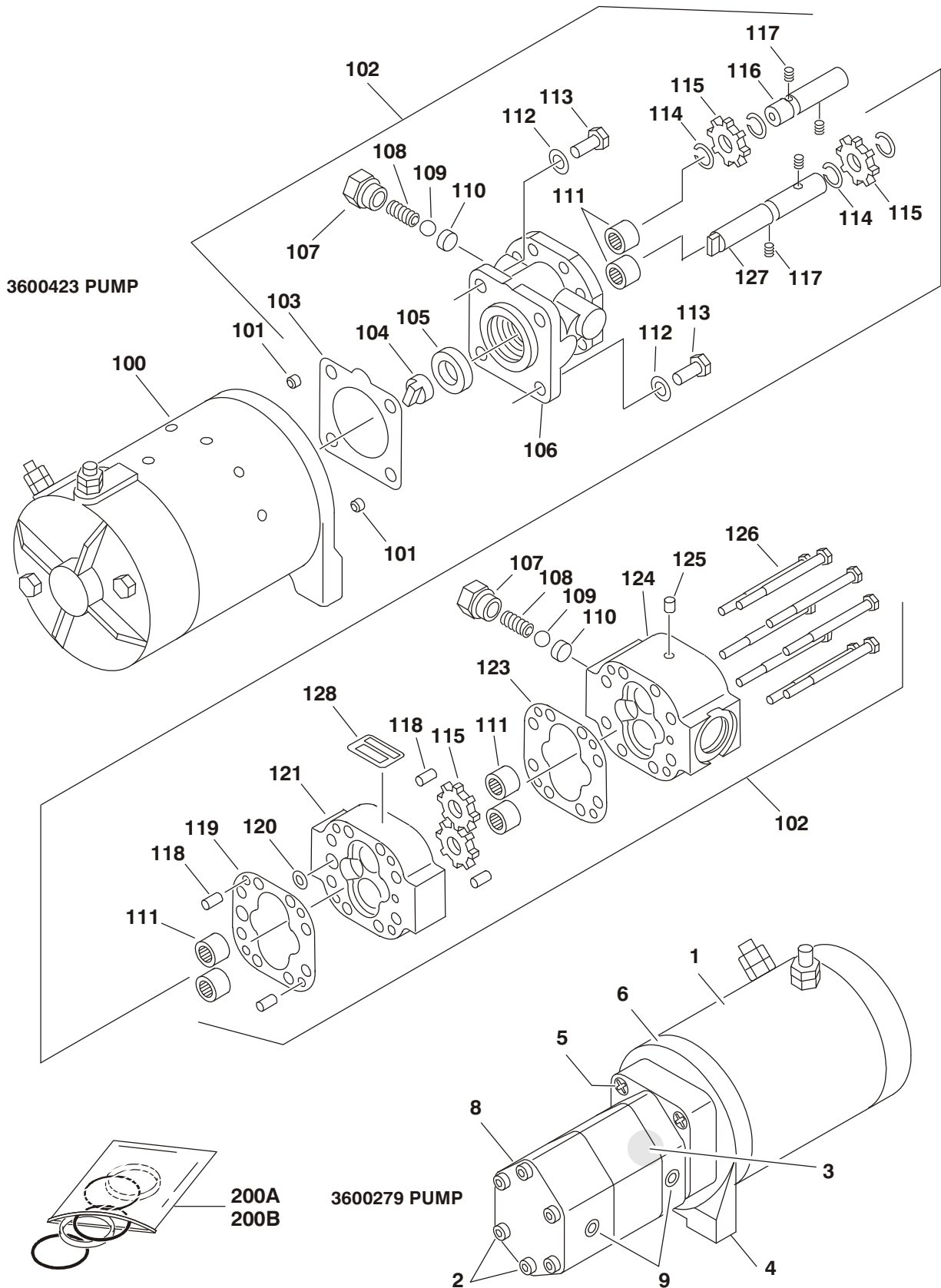
**SECTION 2 TURNTABLE**

**FIGURE 2-21. PISTON PUMP ASSEMBLY (CONTINUED)**

ITEM #	PART NUMBER	QTY.	DESCRIPTION	REV.
	3600404	Ref.	<b>PISTON PUMP SUB-ASSEMBLY</b>	B
101	2220376	1	Fitting, Straight	
102	2220498	2	Fitting, 45°	
103	2220578	1	Fitting, 90°	
104	2220947	2	Fitting, Straight	
105		1	Fitting Options:	
	2221041		S/N 0300096000 to S/N 0300115396	
	2220375		S/N 0300115396 to Present	
106	3600385	1	Pump Assembly (Includes Items 1-87)	

# SECTION 2 TURNTABLE

## FIGURE 2-22. AUXILIARY PUMP ASSEMBLY



## SECTION 2 TURNTABLE

**FIGURE 2-22. AUXILIARY PUMP ASSEMBLY**

ITEM #	PART NUMBER	QTY.	DESCRIPTION	REV.
		Ref.	<b>AUXILIARY PUMP ASSEMBLIES</b>	
		Ref.	<b>Usage:</b>	
	3600279	Ref.	<b>S/N 0300096000 to S/N 0300105249 (Original Equipment)</b>	
	3600423	Ref.	<b>S/N 0300096000 to S/N 0300105249 (Service Replacement)</b>	
	3600423	Ref.	<b>S/N 0300105249 to Present</b>	
		Ref.	<b>Note: Original Equipment pump may have been replaced with Service Replacement pump. Identify Pump by p/n before ordering replacement parts.</b>	
	3600279	Ref.	<b>AUXILIARY PUMP ASSEMBLY</b>	B
1	7016768	1	Motor, Replacement	
	7013757	1	Brush Kit	
2	7016745	4	Capscrew, Socket Head 5/16in-24NF x 4-3/4in	
3	7013711	1	Coupling, Drive	
4	7016769	1	Bracket, Mounting	
5	7016744	2	Screw 5/16in-18NC x 1in	
6	7016746	1	Adapter, Mounting	
7	7013766	2	Pin (Not Shown)	
8	7013771	1	Pump, Replacement	
9	See Note	2	Valve, Check ( <b>Note: Not Available for Purchase.</b> )	
	3600423	Ref.	<b>AUXILIARY PUMP ASSEMBLY</b>	A
100	7011067	1	Motor & Adapter	
101	See Note	2	Setscrew ( <b>Note: Not Available - Purchase Locally.</b> )	
102	70000978	1	Pump Assembly (Includes Items 103-127)	
103	7011044	1	Gasket, Mounting	
104	7011016	1	Coupling	
105	70000969	1	Seal, Shaft	
106	Use 70000977	1	Stator	
107	Use 70000977	2	Cap Assembly	
108	Use 70000977	2	Spring	
109	Use 70000977	2	Ball	
110	Use 70000977	2	Seat	
111	70000976	6	Bearing, Needle	
112	Use 70000977	4	Washer	
113	Use 70000977	4	Screw	
114	70000970	4	Ring, Retaining	
115	70000971	4	Gear	
116	70000972	1	Shaft, Idler	
117	Use 70000977	4	Pin, Drive	
118	Use 70000977	4	Pin, Dowel	
119	70000973	1	Gasket	
120	Use 70000977	1	O-Ring	
121	Use 70000977	1	Housing, Gear	
122	See Note	1	Label ( <b>Note: Not Available for Purchase.</b> )	
123	7000974	1	Gasket	
124	Use 70000977	1	Housing, Gear	

## SECTION 2 TURNTABLE

**FIGURE 2-22. AUXILIARY PUMP ASSEMBLY (CONTINUED)**

ITEM #	PART NUMBER	QTY.	DESCRIPTION	REV.
125	Use 70000977	1	Plug	
126	Use 70000977	8	Screw	
127	70000975	1	Shaft, Drive	
128	See Note	1	Label ( <b>Note: Not Available for Purchase.</b> )	
200		Ref.	<b>SEAL KIT OPTIONS</b>	
200A	7013701	1	Seal Kit - 3600279 Pump	
200B	70000977	1	Seal Kit - 3600423 Assembly (Includes Items 103,105, 120 & Qty 2 O-Rings for Item 107)	

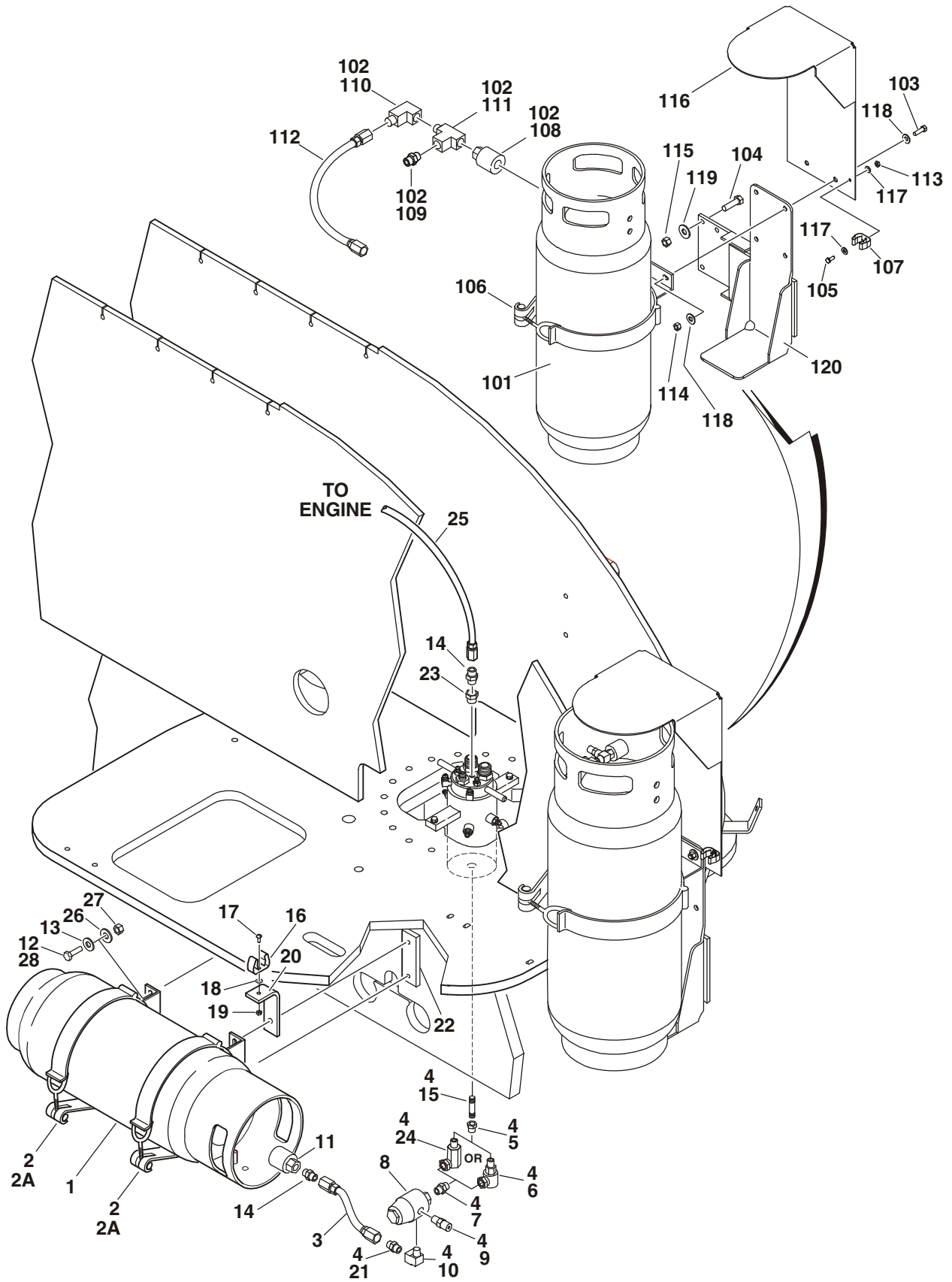
**SECTION 2 TURNTABLE**

**FIGURE 2-22. AUXILIARY PUMP ASSEMBLY (CONTINUED)**

ITEM #	PART NUMBER	QTY.	DESCRIPTION	REV.

# SECTION 2 TURNTABLE

FIGURE 2-23. DUAL FUEL INSTALLATIONS (GM MACHINES ONLY)



## SECTION 2 TURNTABLE

**FIGURE 2-23. DUAL FUEL INSTALLATIONS (GM MACHINES ONLY)**

ITEM #	PART NUMBER	QTY.	DESCRIPTION	REV.
		Ref.	<b>LP TANK AND BRACKETS INSTALLATION - FRAME MOUNTED</b>	
	0259144	Ref.	<b>S/N 0300096000 to S/N 0300161285</b>	4/D
	1001143393	Ref.	<b>S/N 0300161285 to Present</b>	B
1		1	Tank, LP Options: Aluminum Steel	
	4400275			
	4400420			
2	1320220	1	Clamp Kit	
2A	1320127	1	Toggle	
3	2720144	1	Hose	
4	0100020	A/R	Sealant, Pipe	
5	2221019	1	Fitting, Reducer	
6	2180125	1	Fitting, 90°	
7	2220261	1	Fitting, Nipple	
8	2180388	1	Filter, Bulkhead	
9	2180389	1	Valve, Relief	
10	2220648	1	Fitting, 90°	
11	2180387	1	Fitting, LP	
12		4	Bolt 3/8in-16NC Options: Bolt 3/8in-16NC x 3/4in Bolt 3/8in-16NC x 1-7/8in	
	0641606			
	0641615			
13	4751600	4	Flatwasher 3/8in Regular	
14	2180418	2	Fitting, Straight	
15	2221018	1	Fitting, Nipple	
16	1320218	1	Clamp, Spring	
17	3910808	1	Screw #8-32NC x 1in	
18	4750800	2	Flatwasher #8 Regular	
19	3310805	1	Locknut #8-32NC	
20	0181949	1	Angle, Support	
21	2221024	1	Fitting, Union	
22	0362519	2	Bar, Mounting (Part of Frame) (S/N 0300096000 to S/N 0300161285 Only)	
23	2220005	1	Fitting, Reducer	
24	2220082	1	Fitting (S/N 0300096000 to S/N 0300109274 Only)	
25	2720392	1	Hose	
26	4891600	4	Flatwasher 3/8in Hardened	
27	3311601	1	Nut 3/8in-16NC	
28	0100011	A/R	Compound, Locking	
	0270659	Ref.	<b>LP TANK AND BRACKETS INSTALLATION - TURNTABLE MOUNTED (S/N 0300096000 TO S/N 0300161285 ONLY)</b>	A
101	4400275	1	Tank, LP	
102	0100020	A/R	Sealant, Pipe	
103	0641610	2	Bolt 3/8in-16NC x 1-1/4in	
104	0641814	3	Bolt 1/2in-13NC x 1-3/4in	
105	0721005	1	Screw	
106	1320126	1	Clamp, Tank	
107	1320218	1	Clamp, Spring	



## SECTION 2 TURNTABLE

**FIGURE 2-23. DUAL FUEL INSTALLATIONS (GM MACHINES ONLY) (CONTINUED)**

ITEM #	PART NUMBER	QTY.	DESCRIPTION	REV.
108	2180387	1	Fitting	
109	2180389	1	Fitting, Relief Valve	
110	2180504	1	Fitting, 90°	
111	2220290	1	Fitting, Tee	
112	2720149	1	Hose	
113	3311005	1	Locknut #10-24NC	
114	3311605	2	Locknut 3/8in-16NC	
115	3311805	3	Locknut 1/2in-13NC	
116	4061012	1	Shield, LP Tank	
117	4751000	2	Flatwasher #10 Regular	
118	4751600	4	Flatwasher 3/8in Regular	
119	4751800	3	Flatwasher 1/2in Regular	
120	4846310	1	Mount, Tank	

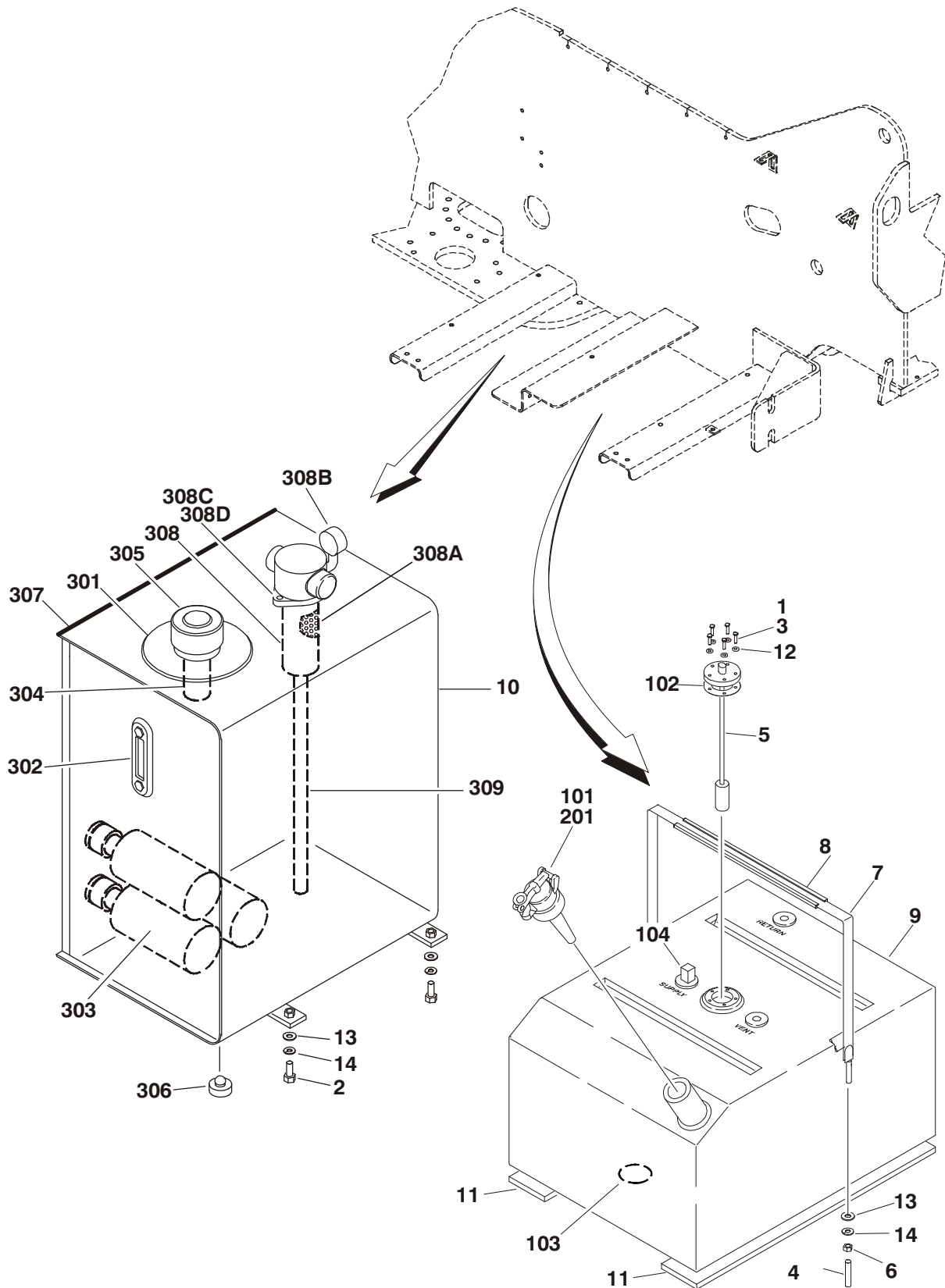
**SECTION 2 TURNTABLE**

**FIGURE 2-23. DUAL FUEL INSTALLATIONS (GM MACHINES ONLY) (CONTINUED)**

ITEM #	PART NUMBER	QTY.	DESCRIPTION	REV.

# SECTION 2 TURNTABLE

## FIGURE 2-24. TANK INSTALLATIONS



## SECTION 2 TURNTABLE

### FIGURE 2-24. TANK INSTALLATIONS

ITEM #	PART NUMBER	QTY.	DESCRIPTION	REV.
		Ref.	<b>TANKS INSTALLATION</b>	
	0272731	Ref.	<b>All Machines S/N 0300096000 to S/N 0300109274</b>	C
	0272731	Ref.	<b>Diesel Machines S/N 0300109274 to Present</b>	C
	1001091566	Ref.	<b>Gas Machines S/N 0300109274 to Present</b>	A
1	0100011	A/R	Locking, Compound	
2	0641608	4	Bolt 3/8in-16NC x 1in	
3	0731007	5	Screw, Indented #10-24NC	
4	1120532	2	Cap, Protector	
5	2420191	1	Gauge, Fuel Level	
6	3311601	2	Nut 3/8in-16NC	
7	4240135	1	Strap, Tank Mount	
8	4280295	2.2ft/0.7m	Strip, Bumper	
9		1	Tank, Fuel Options (See Items 101-104 for Breakdown):	
	4400429		All Machines S/N 0300096000 to S/N 0300109274	
	4400429		Diesel Machines S/N 0300109274 to Present	
	1001091559		Gas Machines S/N 0300109274 to Present	
10	4400450	1	Hydraulic Tank Assembly (See Items 301-309 for Breakdown)	
11	4420038	6ft/1.8m	Tape, Rubber	
12	4751000	5	Flatwasher #10 Regular	
13	4751600	6	Flatwasher 3/8in Regular	
14	4761600	6	Lockwasher 3/8in	
		Ref.	<b>FUEL TANK ASSEMBLY</b>	
	4400429	Ref.	<b>All Machines S/N 0300096000 to S/N 0300109274</b>	D
	4400429	Ref.	<b>Diesel Machines S/N 0300109274 to Present</b>	D
	1001091559	Ref.	<b>Gas Machines S/N 0300109274 to Present</b>	A
101	See Note	1	Cap, Fill (Note: Tank Includes Non-Locking Cap) <b>(Note: See Item 201)</b>	
102	7016680	1	Gasket, Cover Plate	
103	See Note	1	Plug <b>(Note: Not Available - Purchase Locally.)</b>	
104	7020043	1	Tube	
201		Ref.	<b>FUEL CAP OPTIONS:</b>	
	1120484		Locking Cap (Red - Gas Machines) (S/N 0300096000 to S/N 0300109274 Only)	
	1120487		Locking Cap (Blue - Diesel Machines)	
			Standard Non-Locking Cap Options:	
	7016314		All Machines S/N 0300096000 to S/N 0300109274	
	7016314		Diesel Machines S/N 0300109274 to Present	
	70001103		Gas Machines S/N 0300109274 to Present	

## SECTION 2 TURNTABLE

FIGURE 2-24. TANK INSTALLATIONS (CONTINUED)

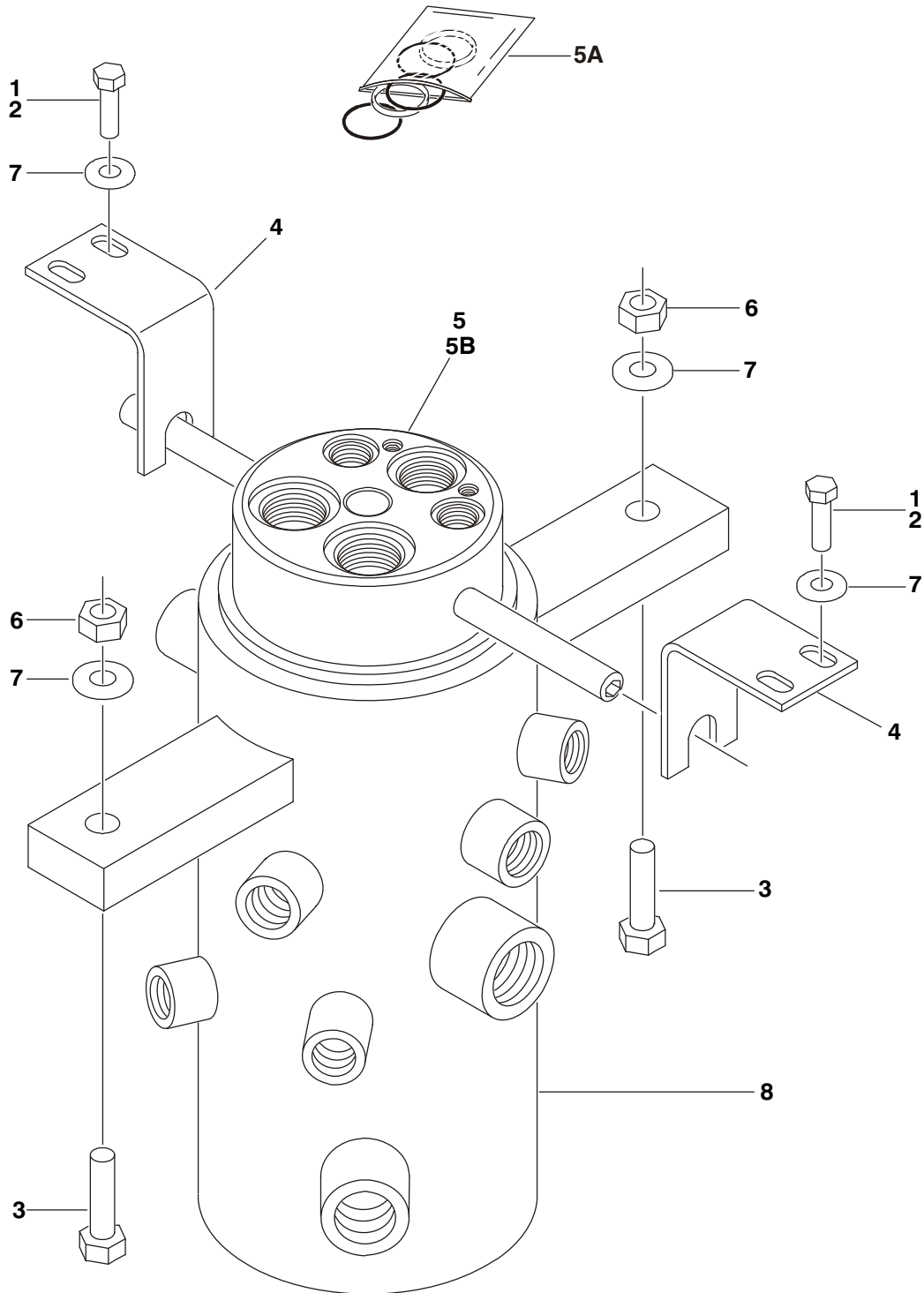
ITEM #	PART NUMBER	QTY.	DESCRIPTION	REV.
	4400450	Ref.	<b>HYDRAULIC TANK ASSEMBLY</b>	F
301	7024439	1	Cover	
	7024440		Gasket	
302	7024441	1	Gauge, Sight	
303	7024442	3	Strainer	
304	7024443	1	Filler Neck Assembly	
	7024445	1	Strainer	
305	7024444	1	Cap, Fill	
306	7024446	1	Plug, Magnetic	
307	4060803	22in/56cm	Flex-Trim	
308	70001959	1	Filter (was p/n 7020226)	
308A	7023205	1	Element (Filter p/n 7020226)	
	70001960	1	Element (Filter p/n 70001959)	
308B	See Note	1	Gauge, Pressure ( <b>Note: Not Available for Purchase.</b> )	
308C	7023306	1	Seal	
308D	70002768	1	Spring	
309	70001863	1	Pipe	

**FIGURE 2-24. TANK INSTALLATIONS (CONTINUED)**

ITEM #	PART NUMBER	QTY.	DESCRIPTION	REV.

## SECTION 2 TURNTABLE

FIGURE 2-25. ROTARY COUPLING INSTALLATION (S/N 0300096000 TO S/N 0300140365)



**SECTION 2 TURNTABLE**

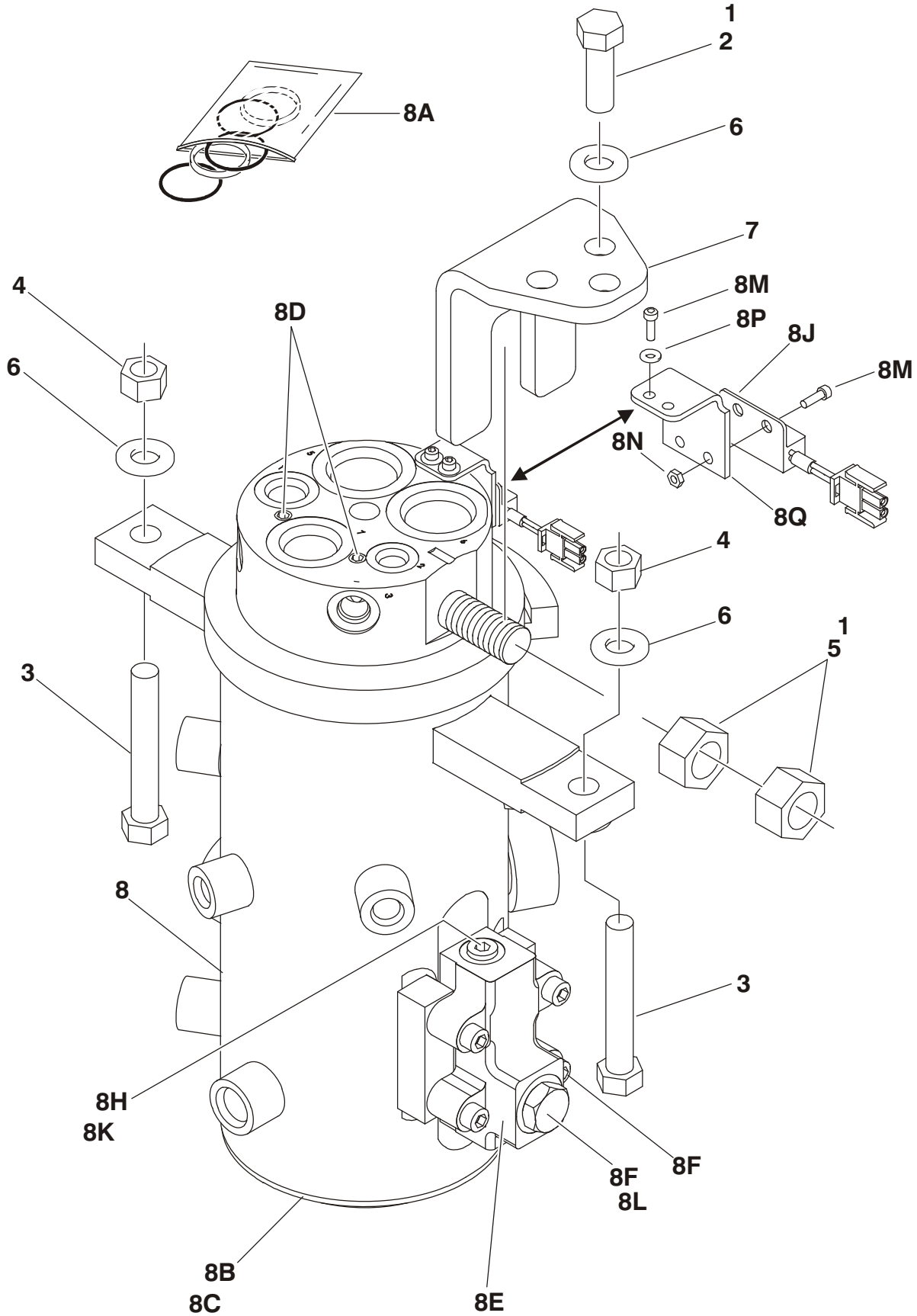
**FIGURE 2-25. ROTARY COUPLING INSTALLATION (S/N 0300096000 TO S/N 0300140365)**

ITEM #	PART NUMBER	QTY.	DESCRIPTION	REV.
	0259155	Ref.	<b>ROTARY COUPLING INSTALLATION</b>	D
1	0100011	A/R	Locking, Compound	
2	0641810	4	Bolt 1/2in-13NC x 1-1/4in	
3	0641826	2	Bolt 1/2in-13NC x 3-1/4in	
4	0902556	2	Bracket	
5	1660219	1	Coupling, Rotary	
5A	7013187	1	Seal Kit	
5B	1660219RR	1	Rebuilt Coupling	
6	3311801	2	Nut 1/2in-13NC	
7	4751800	8	Flatwasher 1/2in Regular	



# SECTION 2 TURNTABLE

FIGURE 2-26. ROTARY COUPLING INSTALLATION (S/N 0300140365 TO PRESENT)



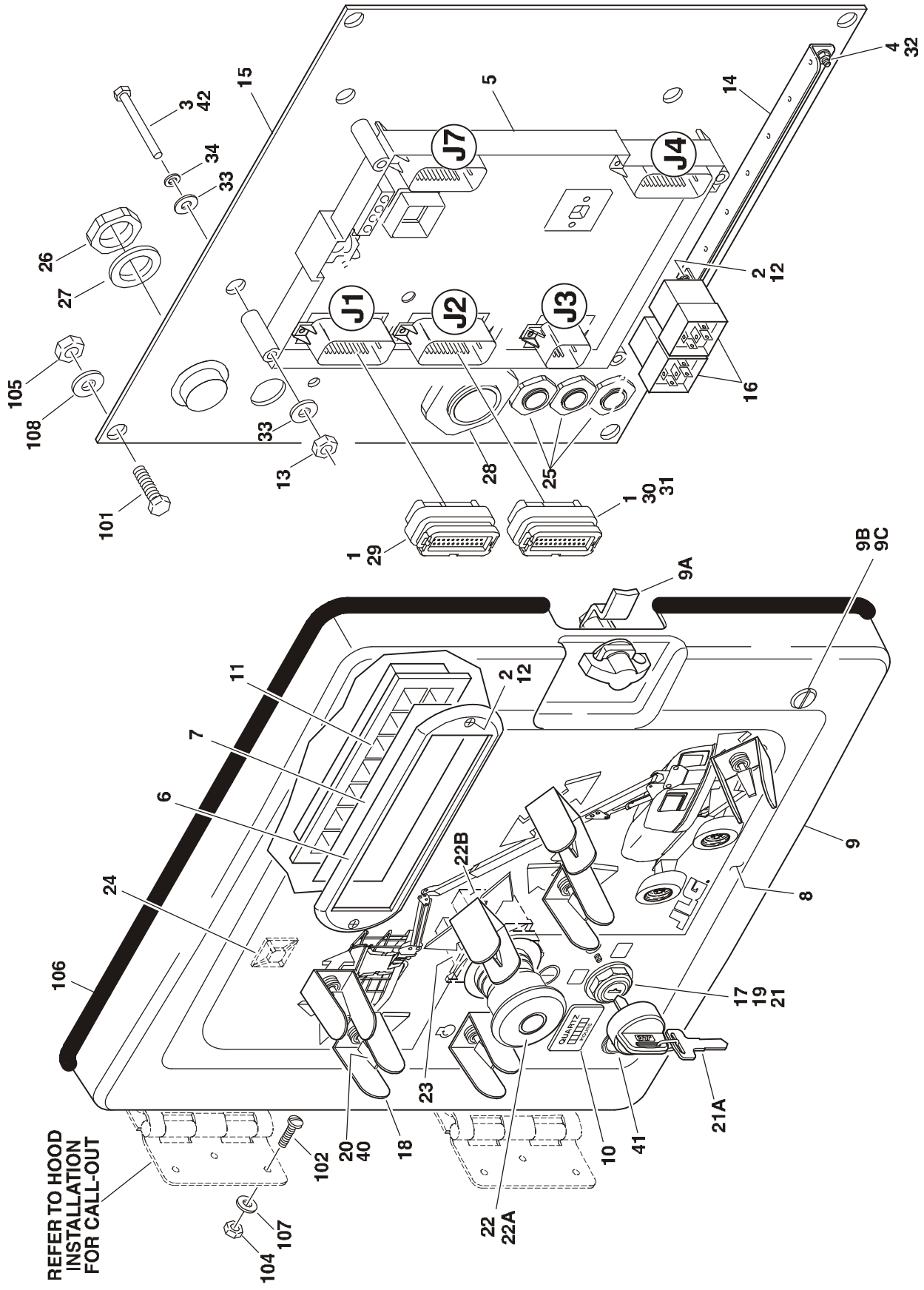
## SECTION 2 TURNTABLE

**FIGURE 2-26. ROTARY COUPLING INSTALLATION (S/N 0300140365 TO PRESENT)**

ITEM #	PART NUMBER	QTY.	DESCRIPTION	REV.
	1001109542	Ref.	<b>ROTARY COUPLING INSTALLATION</b>	C
1	0100011	A/R	Locking, Compound	
2	0641812	3	Bolt 1/2in-13NC x 1-1/2in	
3		2	Bolt 1/2in-13NC Options:	
	0641826		Bolt 1/2in-13NC x 3-1/4in	
	0641828		Bolt 1/2in-13NC x 3-1/2in	
4	3311805	2	Locknut 1/2in-13NC	
5	3322201	2	Nut 3/4in-16NC	
6	4711800	7	Flatwasher 1/2in Thin	
7	1001106837	1	Mount, Swivel	
8	1001106974	1	Coupling, Rotary	
8A	70001248	1	Seal Kit	
8B	7026503	2	Ring, Thrust	
8C	7026504	1	Ring, Retaining	
8D	80934561	2	Plug	
8E	7024404	1	Valve Assembly	
8F	7026197	4	Bolt 5/16in-18 NC x 1-1/4in	
8G	7026507	1	Plug, W/O-ring	
8H	7026505	1	Plug	
8J	4360517	1	Switch, Proximity	
8K	7026506	1	Valve, Check	
8L	7026509	1	Spring, Compression	
8M	See Note	4	Screw, Socket Head #10-24NC x 1/2in <b>(Note: Not Available - Purchase Locally)</b>	
8N	See Note	2	Locknut #10-24NC <b>(Note: Not Available - Purchase Locally)</b>	
8P	See Note	2	Flatwasher #10 <b>(Note: Not Available - Purchase Locally)</b>	
8Q	70003454	1	Bracket, Switch Mounting	

# SECTION 2 TURNTABLE

FIGURE 2-27. GROUND CONTROL BOX ASSEMBLY (WITHOUT UGM)



REFER TO HOOD  
INSTALLATION  
FOR CALL-OUT

## SECTION 2 TURNTABLE

**FIGURE 2-27. GROUND CONTROL BOX ASSEMBLY (WITHOUT UGM)**

ITEM #	PART NUMBER	QTY.	DESCRIPTION	REV.
		Ref.	<b>NOTE: FOR MODULE IDENTIFICATION, REFER TO REVISION LOG PAGE A.</b>	
		Ref.	<b>GROUND CONTROL BOX ASSEMBLIES</b>	
		Ref.	<b>400S (S/N 0300096000 to S/N 0300099084):</b>	
	0861706	Ref.	<b>Caterpillar Engine (ANSI &amp; ANSI Export Specs)</b>	E
	0861708	Ref.	<b>Caterpillar Engine (Australian &amp; CE Specs)</b>	E
	0861736	Ref.	<b>Deutz Engine (ANSI &amp; ANSI Export Specs)</b>	C
	0861737	Ref.	<b>Deutz Engine (Australian &amp; CE Specs)</b>	C
	0861774	Ref.	<b>GM Engine (ANSI &amp; ANSI Export Specs)</b>	C
		Ref.	<b>460SJ (S/N 0300096000 to S/N 0300099084):</b>	
	0861707	Ref.	<b>Caterpillar Engine (ANSI &amp; ANSI Export Specs)</b>	E
	0861709	Ref.	<b>Caterpillar Engine (Australian &amp; CE Specs)</b>	E
	0861739	Ref.	<b>Deutz Engine (ANSI &amp; ANSI Export Specs)</b>	D
	0861738	Ref.	<b>Deutz Engine (Australian &amp; CE Specs)</b>	C
	0861773	Ref.	<b>GM Engine (ANSI &amp; ANSI Export Specs)</b>	C
		Ref.	<b>400S (S/N 0300099084 to Present):</b>	
	1810111	Ref.	<b>Caterpillar &amp; Perkins Engine (ANSI &amp; ANSI Export Specs)</b>	D
	1810112	Ref.	<b>Caterpillar &amp; Perkins Engine (Australian &amp; CE Specs)</b>	D
	1810109	Ref.	<b>Deutz Engine (ANSI &amp; ANSI Export Specs)</b>	D
	1810110	Ref.	<b>Deutz Engine (Australian &amp; CE Specs)</b>	D
	1810108	Ref.	<b>GM Engine (ANSI &amp; ANSI Export Specs)</b>	D
		Ref.	<b>460SJ (S/N 0300099084 to Present):</b>	
	1810116	Ref.	<b>Caterpillar &amp; Perkins Engine (ANSI &amp; ANSI Export Specs)</b>	D
	1810117	Ref.	<b>Caterpillar &amp; Perkins Engine (Australian &amp; CE Specs)</b>	D
	1810114	Ref.	<b>Deutz Engine (ANSI &amp; ANSI Export Specs)</b>	D
	1810115	Ref.	<b>Deutz Engine (Australian &amp; CE Specs)</b>	D
	1810113	Ref.	<b>GM Engine (ANSI &amp; ANSI Export Specs)</b>	E
1	0100048	A/R	Grease, Dielectric	
2	0630518	A/R	Capscrew, Button Head	
3	0630548	5	Tap Bolt, 2-1/2in	
4	0721004	2	Screw #10-24NC x 1/2in	
5	1600411	1	Module, Ground Control (Re-calibration Required when Replaced)	
6	1670829	1	Bezel	
7	1706712	1	Decal - Ground Control Display	
8		1	Decal - Faceplate Options:	
	1704465		400S (S/N 0300096000 to S/N 0300099084)	
	1706946		400S (S/N 0300099084 to S/N 0300135381)	
	1001102595		400S (S/N 0300135381 to Present)	
	1704466		460SJ (S/N 0300096000 to S/N 0300099084)	
	1706945		460SJ (S/N 0300099084 to S/N 0300135381)	
	1001102596		460SJ (S/N 0300135381 to Present)	
9		1	Lid Assembly Options:	
	1780307		Lid Assembly With Item 9A	
	1001109545		Lid Assembly Without Item 9A	
9A	2940073	1	Latch	
9B	7024319	2	Screw	

## SECTION 2 TURNTABLE

**FIGURE 2-27. GROUND CONTROL BOX ASSEMBLY (WITHOUT UGM) (CONTINUED)**

ITEM #	PART NUMBER	QTY.	DESCRIPTION	REV.
9C	7024320	2	Retainer	
10	2420172	1	Gauge, Hourmeter	
11	2760105	1	Housing, Display Light	
12	3300408	A/R	Locknut, Plastic Insert	
13	3311401	A/R	Nut 1/4in-20NC	
14	3539275	1	Bracket, Relay Mounting	
15	3572827	1	Plate	
16	3740049	A/R	Relay	
17	3910804	6	Screw #8-32NC x 1/4in	
18	4060906	A/R	Shield, Toggle Switch	
19	4070987	1	Shim.015	
20	4360328	A/R	Switch, Toggle	
21		1	Switch, Key Options:	
	4360469		ANSI & ANSI Export Specs	
	4360470		Australian & CE Specs	
21A	2860030	1	Key	
22	4360475	1	Switch, Emergency Stop	
22A	7020175	1	Cap, Mushroom Head	
22B	7020176	1	Block, Contact	
23	4360476	1	Switch, Contact Block	
24	4460234	A/R	Base, Tie-Strap	
25	4460428	3	Connector, Strain Relief	
26	4460470	1	Nut, Terminal	
27	4460471	1	Washer, Terminal	
28	4460526	1	Connector, Strain Relief	
29	4460874	1	Connector, Natural	
30	4460875	1	Connector, Gray	
31	4460905	4	Connector, Amp Seal Plug	
32	4751000	2	Flatwasher #10 Regular	
33	4751400	A/R	Flatwasher 1/4in Regular	
34	4761400	A/R	Lockwasher 1/4in	
35		1	Engine Harness Assembly (Not Shown - See Section 7 for Breakdown)	
	4923356		Caterpillar & Perkins Engine Machines (S/N 0300096000 to S/N 0300099084)	
	4923580		Caterpillar & Perkins Engine Machines (S/N 0300099084 to S/N 0300119201)	
	1001098839		Caterpillar & Perkins Engine Machines (S/N 0300119201 to Present)	
	4923260		Deutz Engine Machines	
	4923419		GM Engine Machines	
36	4922538	1	Valve Harness Assembly (Not Shown - See Section 7 for Breakdown)	
37		1	Ground Control Box Harness Assembly (Not Shown - See Section 7 for Breakdown)	
	4923456		Caterpillar Engine Machines (S/N 0300096000 to S/N 0300099084)	
	4923261		Deutz & GM Engine Machines (S/N 0300096000 to S/N 0300099084)	
	4923583		Caterpillar, Perkins & GM Engine Machines (S/N 0300099084 to Present)	

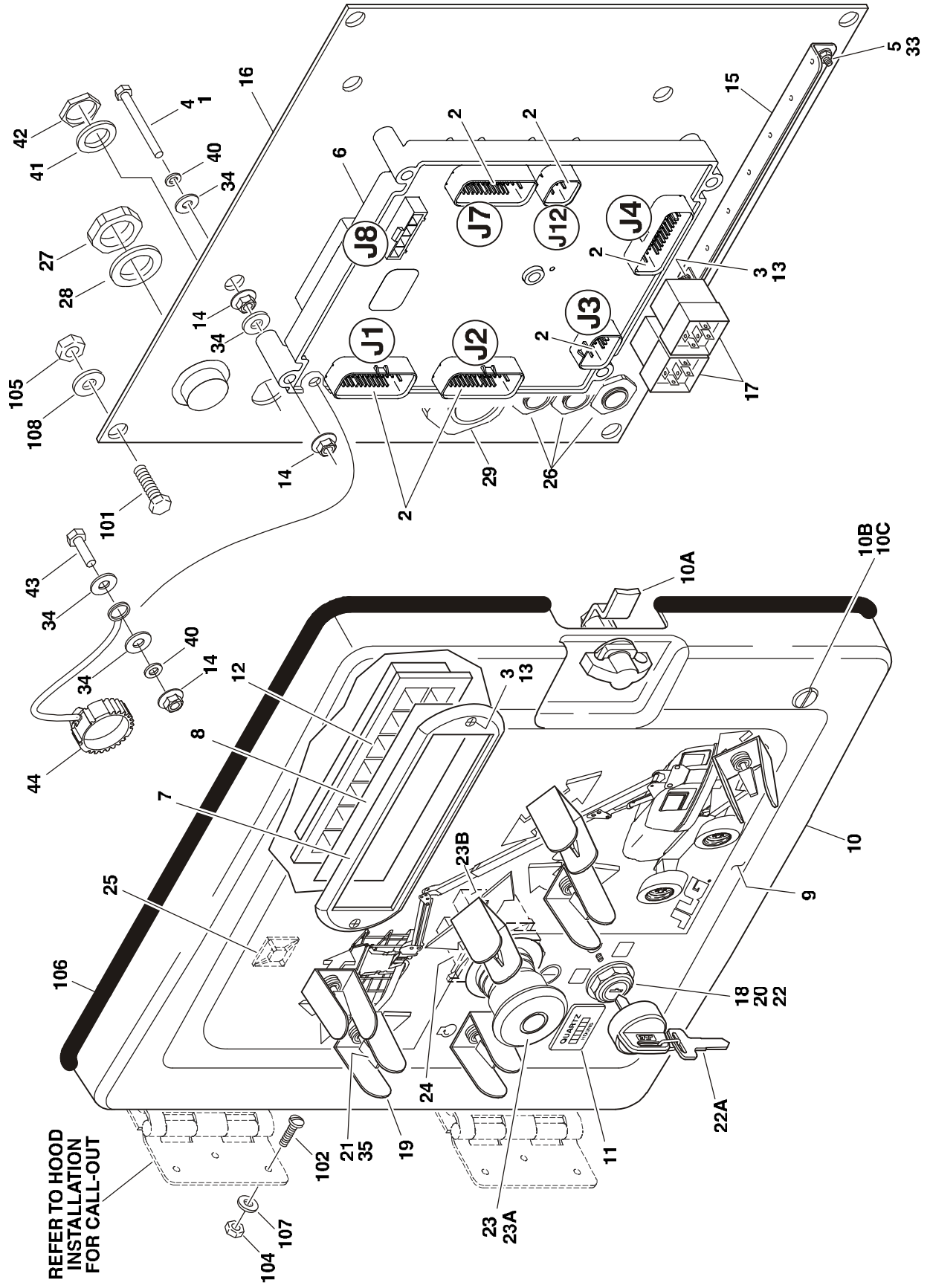
## SECTION 2 TURNTABLE

**FIGURE 2-27. GROUND CONTROL BOX ASSEMBLY (WITHOUT UGM) (CONTINUED)**

ITEM #	PART NUMBER	QTY.	DESCRIPTION	REV.
38 to 39	4923583 Not Used		Deutz Engine Machines (S/N 0300099084 to Present)	
40	3790012	A/R	O-Ring	
41	1705132	1	Decal - ADE Control (S/N 0300096000 to S/N 0300099084)	
42	0100011	A/R	Locking, Compound	
		Ref.	<b>GROUND CONTROL BOX INSTALLATIONS</b>	
		Ref.	<b>400S:</b>	
	0274415	Ref.	<b>Caterpillar &amp; Perkins Engine (ANSI &amp; ANSI Export Specs)</b>	3
	0274417	Ref.	<b>Caterpillar &amp; Perkins Engine (Australian &amp; CE Specs)</b>	3
	0271657	Ref.	<b>Deutz Engine (ANSI &amp; ANSI Export Specs)</b>	8
	0271660	Ref.	<b>Deutz Engine (Australian &amp; CE Specs)</b>	8
	0275059	Ref.	<b>GM Engine (ANSI &amp; ANSI Export Specs)</b>	3
		Ref.	<b>460SJ:</b>	
	0274416	Ref.	<b>Caterpillar &amp; Perkins Engine (ANSI &amp; ANSI Export Specs)</b>	3
	0274418	Ref.	<b>Caterpillar &amp; Perkins Engine (Australian &amp; CE Specs)</b>	3
	0271661	Ref.	<b>Deutz Engine (ANSI &amp; ANSI Export Specs)</b>	8
	0271658	Ref.	<b>Deutz Engine (Australian &amp; CE Specs)</b>	8
	0275060	Ref.	<b>GM Engine (ANSI &amp; ANSI Export Specs)</b>	3
101	0641406	4	Bolt 1/4in-20NC x 3/4in	
102	0720805	6	Screw, Machine #8-32NC	
103	Not Used			
104	3310805	6	Locknut #8-32NC	
105	3311405	4	Locknut 1/4in-20NC	
106	3960438	A/R	Seal	
107	4750800	6	Flatwasher #8 Regular	
108	4751400	8	Flatwasher 1/4in Regular	

# SECTION 2 TURNTABLE

FIGURE 2-28. GROUND CONTROL BOX ASSEMBLY (WITH UGM)



## SECTION 2 TURNTABLE

**FIGURE 2-28. GROUND CONTROL BOX ASSEMBLY (WITH UGM)**

ITEM #	PART NUMBER	QTY.	DESCRIPTION	REV.
		Ref.	<b>NOTE: FOR MODULE IDENTIFICATION, REFER TO REVISION LOG PAGE A.</b>	
		Ref.	<b>GROUND CONTROL BOX ASSEMBLIES</b>	
		Ref.	<b>400S:</b>	
		Ref.	<b>Caterpillar &amp; Perkins Engine</b>	
	1001102896	Ref.	<b>ANSI &amp; ANSI Export Specs</b>	E
	1001102898	Ref.	<b>Australian &amp; CE Specs</b>	E
		Ref.	<b>Deutz Engine</b>	
	1001108979	Ref.	<b>ANSI &amp; ANSI Export Specs</b>	A
	1001108980	Ref.	<b>Australian &amp; CE Specs</b>	A
	1001108978	Ref.	<b>GM Engine (ANSI &amp; ANSI Export Specs)</b>	A
		Ref.	<b>460SJ:</b>	
		Ref.	<b>Caterpillar &amp; Perkins Engine</b>	
	1001102897	Ref.	<b>ANSI &amp; ANSI Export Specs</b>	E
	1001102899	Ref.	<b>Australian Specs (S/N 0300096000 to S/N 0300149522)</b>	E
	1001102897	Ref.	<b>Australian Specs (S/N 0300149522 to Present)</b>	E
	1001102899	Ref.	<b>CE Specs</b>	E
		Ref.	<b>Deutz Engine</b>	
	1001108982	Ref.	<b>ANSI &amp; ANSI Export Specs</b>	A
	1001108983	Ref.	<b>Australian Specs (S/N 0300096000 to S/N 0300149522)</b>	A
	1001108982	Ref.	<b>Australian Specs (S/N 0300149522 to Present)</b>	A
	1001108983	Ref.	<b>CE Specs</b>	A
	1001108981	Ref.	<b>GM Engine (ANSI &amp; ANSI Export Specs)</b>	A
1	0100011	A/R	Locking, Compound	
2	0100048	A/R	Grease, Dielectric	
3	0630518	4	Capscrew, Button Head	
4	0630548	5	Tap Bolt, 2-1/2in	
5	0721004	2	Screw #10-24NC x 1/2in	
6	1001103667	1	Module, Ground Control (Re-calibration Required when Replaced)	
7	1670829	1	Bezel	
8	1706712	1	Decal - Ground Control Display	
9		1	Decal - Faceplate Options:	
	1001102595		400S	
	1001102596		460SJ	
10	1001109545	1	Lid Assembly	
10A	2940073	1	Latch	
10B	7024319	2	Screw	
10C	7024320	2	Retainer	
11	2420172	1	Gauge, Hourmeter	
12	2760105	1	Housing, Display Light	
13	3300408	4	Locknut, Plastic Insert	
14	77143013	11	Locknut 1/4in-20NC	
15	3539275	1	Bracket, Relay Mounting	
16	1001107107	1	Plate	
17	3740049	2	Relay	
18	3910804	6	Screw #8-32NC x 1/4in	



## SECTION 2 TURNTABLE

**FIGURE 2-28. GROUND CONTROL BOX ASSEMBLY (WITH UGM) (CONTINUED)**

ITEM #	PART NUMBER	QTY.	DESCRIPTION	REV.
19	4060906	1	Shield, Toggle Switch	
20	4070987	1	Shim.015	
21	4360328	6	Switch, Toggle	
22		1	Switch, Key Options:	
	4360469		ANSI & ANSI Export Specs	
	4360470		Australian Specs (S/N 0300096000 to S/N 0300149522)	
	4360469		Australian Specs (S/N 0300149522 to Present)	
	4360470		CE Specs	
22A	2860030	1	Key	
23	4360475	1	Switch, Emergency Stop	
23A	7020175	1	Cap, Mushroom Head	
23B	7020176	1	Block, Contact	
24	4360476	1	Switch, Contact Block	
25	4460234	4	Base, Tie-Strap	
26	4460428	3	Connector, Strain Relief	
27	4460470	1	Nut, Terminal	
28	4460471	1	Washer, Terminal	
29	4460526	1	Connector, Strain Relief	
30 to 31	Not Used			
33	4751000	2	Flatwasher #10 Regular	
34	4751400	12	Flatwasher 1/4in Regular	
35	3790012	6	O-Ring	
36	4922538	1	Valve Harness Assembly (Not Shown - See Section 7 for Breakdown)	
37		1	Engine Harness Assembly (Not Shown - See Section 7 for Breakdown)	
	1001102798		Caterpillar & Perkins Engine Machines	
	1001109114		Deutz Engine Machines	
	1001109089		GM Engine Machines	
38	1001106999	1	Ground Control Box Harness Assembly (Not Shown - See Section 7 for Breakdown)	
39	Not Used			
40	4761400	6	Lockwasher 1/4in	
41	4460496	1	Lockwasher, Terminal	
42	4460497	1	Nut, Terminal	
43	0641407	1	Bolt 1/4in-20NC x 7/8in	
44	1001106736	1	Cap, Dust	

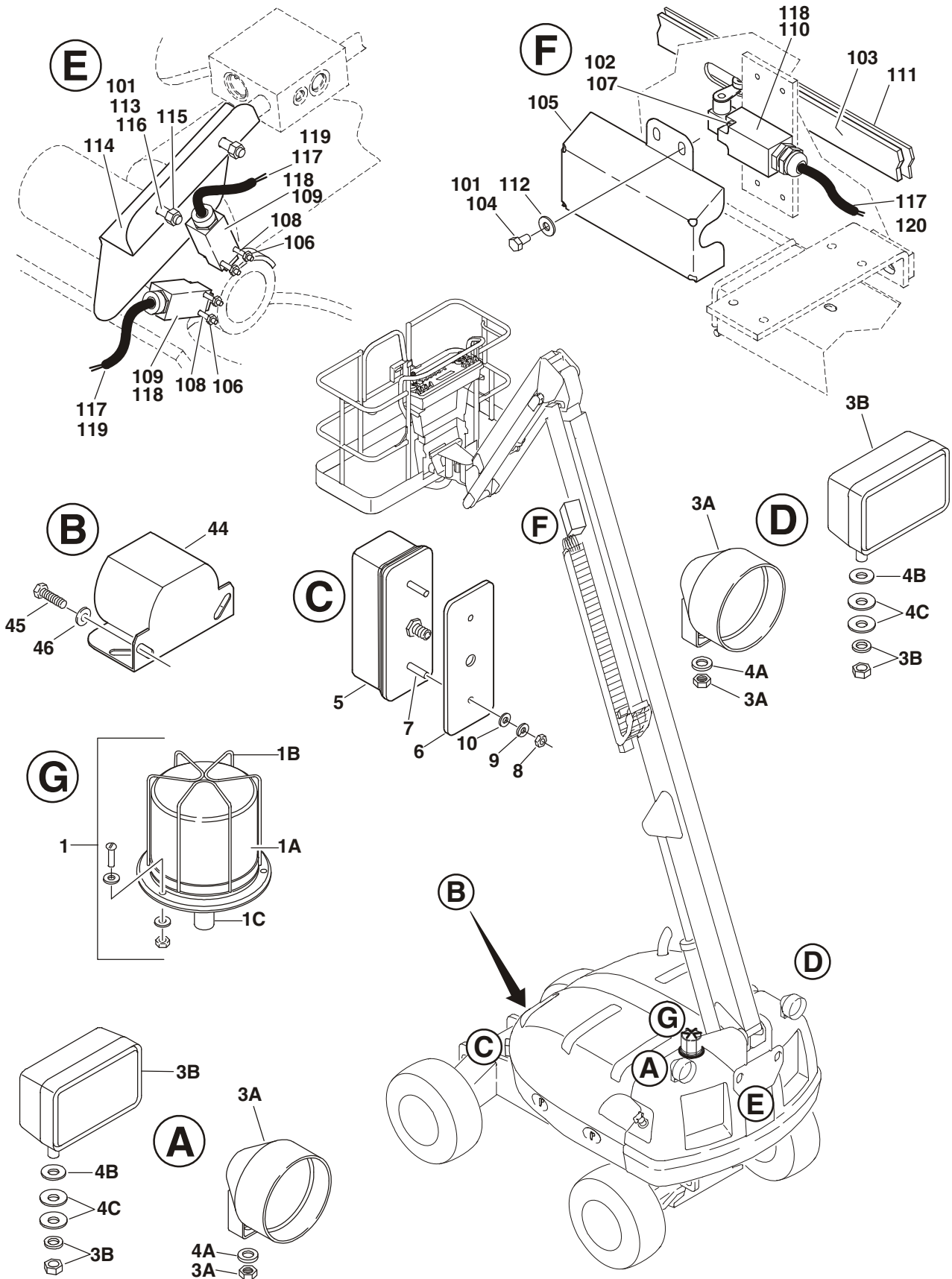
## SECTION 2 TURNTABLE

**FIGURE 2-28. GROUND CONTROL BOX ASSEMBLY (WITH UGM) (CONTINUED)**

ITEM #	PART NUMBER	QTY.	DESCRIPTION	REV.
		Ref.	<b>GROUND CONTROL BOX INSTALLATIONS</b>	
		Ref.	<b>400S:</b>	
		Ref.	<b>Caterpillar &amp; Perkins Engine</b>	
	1001107626	Ref.	<b>ANSI &amp; ANSI Export Specs</b>	2
	1001107628	Ref.	<b>Australian &amp; CE Specs</b>	2
		Ref.	<b>Deutz Engine</b>	
	1001109041	Ref.	<b>ANSI &amp; ANSI Export Specs</b>	1
	1001109043	Ref.	<b>Australian &amp; CE Specs</b>	1
	1001109039	Ref.	<b>GM Engine (ANSI &amp; ANSI Export Specs)</b>	1
		Ref.	<b>460SJ:</b>	
		Ref.	<b>Caterpillar &amp; Perkins Engine</b>	
	1001107627	Ref.	<b>ANSI &amp; ANSI Export Specs)</b>	2
	1001107629	Ref.	<b>Australian Specs (S/N 0300096000 to S/N 0300149522)</b>	2
	1001107627	Ref.	<b>Australian Specs (S/N 0300149522 to Present)</b>	2
	1001107629	Ref.	<b>CE Specs</b>	2
		Ref.	<b>Deutz Engine</b>	
	1001109042	Ref.	<b>ANSI &amp; ANSI Export Specs</b>	1
	1001109044	Ref.	<b>Australian Specs (S/N 0300096000 to S/N 0300149522)</b>	1
	1001109042	Ref.	<b>Australian Specs (S/N 0300149522 to Present)</b>	1
	1001109044	Ref.	<b>CE Specs</b>	1
	1001109040	Ref.	<b>GM Engine (ANSI &amp; ANSI Export Specs)</b>	1
101	0641406	4	Bolt 1/4in-20NC x 3/4in	
102	0720805	6	Screw, Machine #8-32NC	
103	Not Used			
104	3310805	6	Locknut #8-32NC	
105	3311405	4	Locknut 1/4in-20NC	
106	3960438	A/R	Seal	
107	4750800	6	Flatwasher #8 Regular	
108	4751400	8	Flatwasher 1/4in Regular	

# SECTION 2 TURNTABLE

FIGURE 2-29. ELECTRICAL OPTIONS INSTALLATION (TURNTABLE MOUNTED)



## SECTION 2 TURNTABLE

**FIGURE 2-29. ELECTRICAL OPTIONS INSTALLATION (TURNTABLE MOUNTED)**

ITEM #	PART NUMBER	QTY.	DESCRIPTION	REV.
	0271342	Ref.	<b>STROBE LIGHT INSTALLATIONS (AMBER) (OPTIONAL)</b>	D
1	0255917	1	Strobe Light Assemblies	2/C
1A	Use 0255917		Strobe Light - ECCO Model 6640 (was p/n 2920130)	
	Use 0255917		Strobe Light - ECCO Model 6650 (was p/n 2920214)	
		1	Bulb, Replacement Options:	
	7016380		Bulb for ECCO Model 6640	
	70001941		Bulb for ECCO Model 6650	
1B		1	Guard Options:	
	4060907		Used with ECCO Model 6640	
	2920215		Used with ECCO Model 6650	
1C		1	Adapter Options:	
	0630491		Used with ECCO Model 6640	
	0080241		Used with ECCO Model 6650	
2	0100048	A/R	Sealant, Silicone (Not Shown)	
		Ref.	<b>LIGHTS INSTALLATIONS (OPTIONAL)</b>	
	0272018	Ref.	<b>Headlights &amp; Taillights</b>	C
	0274574	Ref.	<b>Chassis Illumination Lights</b>	C
3		A/R	Light Options:	
3A	2920110	2	Headlight Assembly (Round) (Includes Mounting Hardware)	
	7016628	2	Bulb, Replacement (1 Per Assembly)	
3B	2920157	2	Chassis Illumination Light Assembly (Rectangular) (Includes Mounting Hardware)	
	7024452	2	Bulb, Replacement (1 Per Assembly)	
4		A/R	Washer Options:	
4A	4740076	2	Washer, Fender (Use with Headlights & Taillights)	
4B	4740274	2	Washer, Snubbing (Use with Illumination Lights)	
4C	4740546	4	Washer, Rubber Cushioning (Use with Illumination Lights)	
5	2920113	2	Taillight Assembly	
6	3960461	2	Gasket	
7	3911040	4	Screw, Machine #10-24NC x 2-1/2in	
8	3311005	4	Nut #10-24NC	
9	4751000	4	Flatwasher #10 Regular	
10	4740362	4	Washer, Fender	
11	4460234	14	Mount, Tie-Strap (Not Shown)	
12	4240032	14	Tie-Strap (Not Shown)	
13	Not Used			
14		1	Switch Options (Not Shown - Located on Console):	
	4360336		Switch, Toggle Used S/N 0300096000 to S/N 0300137201	
	4360522		Switch, Toggle Used S/N 0300137201 to Present	
15	3790012	1	O-Ring (Not Shown - Located on Console) (S/N 0300096000 to S/N 0300137201 Only)	
16 to 43	Not Used			

## SECTION 2 TURNTABLE

**FIGURE 2-29. ELECTRICAL OPTIONS INSTALLATION (TURNTABLE MOUNTED)**

ITEM #	PART NUMBER	QTY.	DESCRIPTION	REV.
	0258308	Ref.	<b>ALARMS INSTALLATIONS</b>	2
44	See Note	1	Alarm/Harness Assembly (was p/n 0257887) <b>(Note: Not Available - Purchase individual parts)</b>	
	0140032	1	Alarm	
	2820035	6in/15cm	Loom	
	4460424	1	Plug, Male - 2 Position	
	4460268	2	Socket, Female	
45	0641406	2	Bolt 1/4in-20NC x 3/4in	
46	4711400	2	Flatwasher 1/4in Thin	
47	0100048	A/R	Sealant, Silicone (Not Shown)	
		Ref.	<b>LIMIT SWITCHES INSTALLATIONS</b>	
	0271164	Ref.	<b>400S with 500/1000lb Capacity (All Specs Except CE Spec)</b>	G
	1001093910	Ref.	<b>400S with 500/1000lb Capacity &amp; Arctic Package (All Specs Except CE Spec)</b>	B
	0271165	Ref.	<b>400S with 750/1000lb Capacity (All Specs Except CE Spec)</b>	G
	1001093912	Ref.	<b>400S with 750/1000lb Capacity &amp; Arctic Package (All Specs Except CE Spec)</b>	B
	0271163	Ref.	<b>400S (CE Specs)</b>	G
	0271166	Ref.	<b>460SJ (All Specs Except CE Spec)</b>	D
	1001093913	Ref.	<b>460SJ with Arctic Package (All Specs Except CE Spec)</b>	A
	0271163	Ref.	<b>460SJ (CE Specs)</b>	G
101	0100011	A/R	Locking, Compound	
102	0100035	A/R	Locking, Compound	
103		A/R	Bar, Fiberglass Options:	
	1001106479	1	400S with 500/1000lb Cap. (All Specs Except CE Spec) (was p/n 0362528)	
	1001106478	1	400S with 750/1000lb Cap. (All Specs Except CE Spec) (was p/n 0362909)	
	1001106482	1	400S (CE Specs) (was p/n 0362610)	
	Not Required	0	460SJ (All Specs Except CE Spec)	
	1001106482	1	460SJ (CE Specs) (was p/n 0362610)	
104	0641404	4	Bolt #8-32NC x 1/2in (400S Only)	
105		A/R	Cover, Limit Switch Options:	
	1670824	1	400S (All Specs Except CE Spec)	
	1670824	1	460SJ (CE Specs)	
	Not Required	0	460SJ (All Specs Except CE Spec)	
	1670824	1	460SJ (CE Specs)	
106	3311005	4	Locknut #10-24NC	
107	3930816	2	Capscrew, Socket Head #8-32NC x 1in (400S Only)	
108	3931028	4	Capscrew, Socket Head #10-24NC x 1-3/4in	
109	4360548	2	Switch, Limit (Part of Item 119)	
110		A/R	Switch, Limit Options:	
	4360578	1	400S (All Specs Except CE Spec)	
	4360578	1	400S (CE Specs)	
	Not Required	0	460SJ (All Specs Except CE Spec)	
	4360578	1	460SJ (CE Specs)	
111	4420060	9ft/2.7m	Tape, Double Sided	

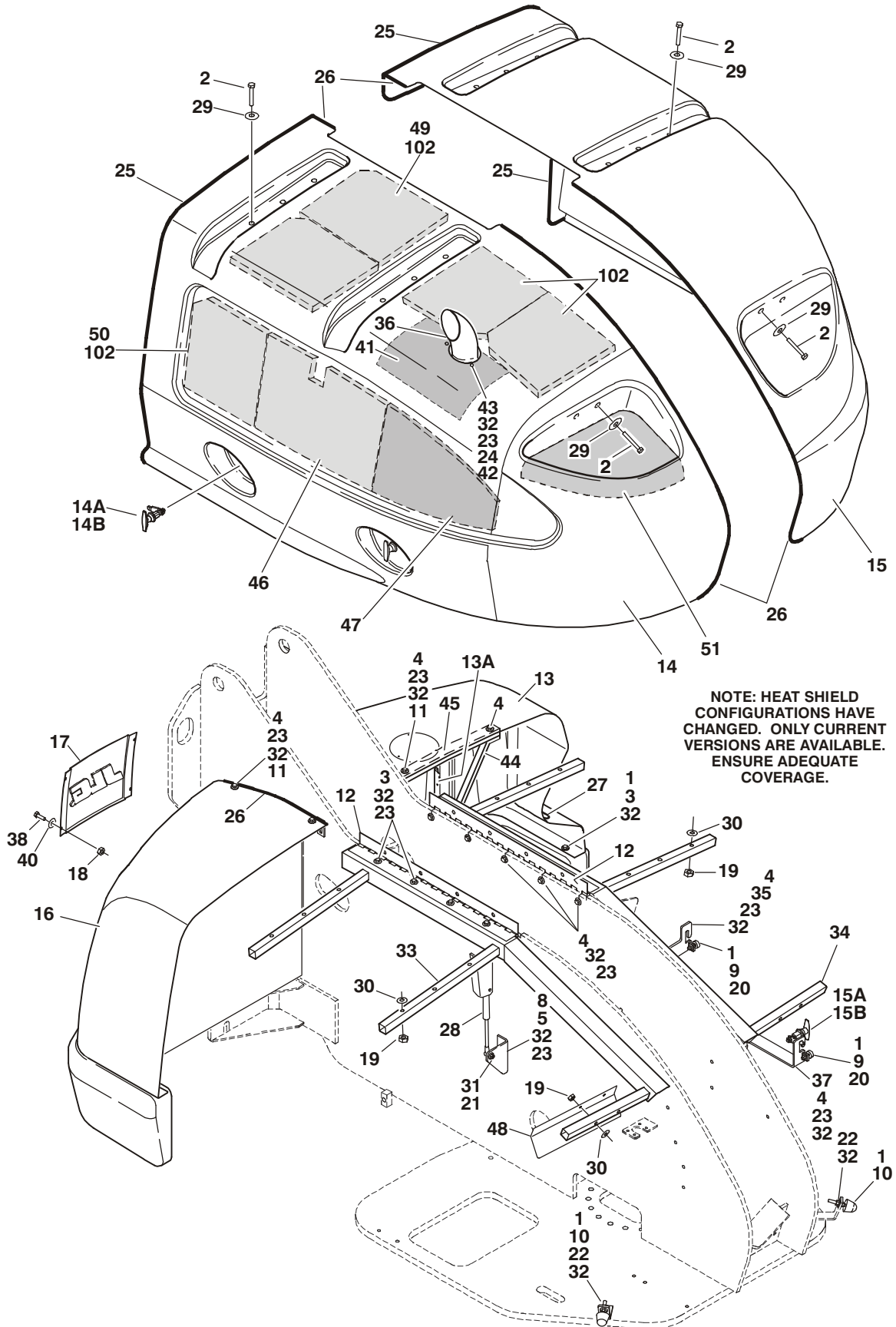
## SECTION 2 TURNTABLE

**FIGURE 2-29. ELECTRICAL OPTIONS INSTALLATION (TURNTABLE MOUNTED)**

ITEM #	PART NUMBER	QTY.	DESCRIPTION	REV.
112	4751400	4	Flatwasher 1/4in Regular	
113	0641610	2	Bolt 3/8in-16NC x 1-1/4in	
114	1670956	1	Cover, Limit Switch	
115	3311601	2	Nut 3/8in-16NC	
116	4711600	4	Flatwasher 3/8in Narrow	
117		A/R	Cable, Electrical Options:	
	See Note		400S (Note: Refer to Items 119 & 120)	
	See Note		460SJ (Note: Refer to Item 119)	
118	4460968	A/R	Connector, Strain Relief	
119		A/R	Cable, Electrical - 18/2 Options:	
	4922714	2	400S (Includes Items 8.5ft/2.6m of p/n 1060902 18/2 Electrical Cable and Items 109 & 118) (All Specs Except CE Spec)	B
	1001093914	2	400S with Arctic Package (Includes Items 8.5ft/2.6m of p/n 4923466 18/2 Polar Electrical Cable and Items 109 & 118) (All Specs Except CE Spec)	A
	4922714	1	400S (Includes Items 8.5ft/2.6m of p/n 1060902 18/2 Electrical Cable and Items 109 & 118) (CE Spec Only)	B
	4922714	1	460SJ (Includes Items 8.5ft/2.6m of p/n 1060902 18/2 Electrical Cable and Items 109 & 118) (All Specs Except CE Spec)	B
	1001093914	1	460SJ with Arctic Package (Includes Items 8.5ft/2.6m of p/n 4923466 18/2 Polar Electrical Cable and Items 109 & 118) (All Specs Except CE Spec)	A
	4922714	1	460SJ (Includes Items 8.5ft/2.6m of p/n 1060902 18/2 Electrical Cable and Items 109 & 118) (CE Spec Only)	B
120		A/R	Cable, Electrical - 18/2	
	4922769	1	400S (Includes Items 26.5ft/8.1m of p/n 1060680 18/2 Electrical Cable and 2 Sockets)	B
	1001093915	1	400S with Arctic Package (Includes Items 26.5ft/8.1m of p/n 4923466 18/2 Polar Electrical Cable and 2 Sockets)	A
	Not Required	0	460SJ	

# SECTION 2 TURNTABLE

FIGURE 2-30. HOODS INSTALLATION (S/N 0300096000 TO S/N 0300126457)



## SECTION 2 TURNTABLE

**FIGURE 2-30. HOODS INSTALLATION (S/N 0300096000 TO S/N 0300126457)**

ITEM #	PART NUMBER	QTY.	DESCRIPTION	REV.
		Ref.	<b>HOODS INSTALLATIONS</b>	
	0259141	Ref.	<b>Caterpillar, Deutz &amp; Perkins Machines</b>	J
	0274016	Ref.	<b>GM Machines</b>	B
1	0100011	A/R	Locking, Compound	
2	0641416	16	Bolt 1/4in-20NC x 2in	
3	0641608	13	Bolt 3/8in-16NC x 1in	
4	0641610	18	Bolt 3/8in-16NC x 1-1/4in	
5	0641612	5	Bolt 3/8in-16NC x 1-3/4in	
6 to 7	Not Used			
8	0902669	2	Angle, Mounting	
9	0940049	2	Stopper, Hood	
10	0940071	2	Bumper	
11	2540035	5	Grommet	
12	2600209	2	Hinge, Hood	
13	2680463	1	Cover, Hood (Front Right Side)	G
13A	2600258	2	Hinge, Ground Control Lid	
14		1	Hood (Engine Side) Options:	
		Ref.	<b>Note: Replacement decals must be ordered separately.</b>	
	Use 1001097963		Hood Kit for Caterpillar, Deutz & Perkins Machines (Includes Non-Lockable Hood with Current Heat Shields) (was p/n 2680464)	
	Use 1001097962		Hood Kit for GM Machines (Includes Non-Lockable Hood & with Current Heat Shields) (was p/n 1671170)	
14A		2	Latch Options:	
	2940117		Non-Lockable	
	7027858		Lockable	
14B	0902668	2	Catch, Hood Latch	
15	2680465	1	Hood (Tank Side)	G
		Ref.	<b>Note: Replacement decals must be ordered separately.</b>	
15A		2	Latch Options:	
	2940117		Non-Lockable	
	7027858		Lockable	
15B	0902668	2	Catch, Hood Latch	
16	2680516	1	Cover, Hood (Front Left Side)	
17	2680471	1	Cover, Hood (Front Center)	D
18	3300441	4	Nut, Tinnerman	
19	3311405	16	Locknut 1/4in-20NC	
20	3311501	4	Nut 5/16in-18NC	
21	3311505	4	Locknut 5/16in-18NC	
22	3311601	4	Nut 3/8in-16NC	
23	3311605	34	Locknut 3/8in-16NC	
24	3900232	3	Capscrew, Button Head 3/8in-16NC 1-1/4in	
25	Not Used			
26	3960389	27ft/8.2m	Seal, Hood	
27	4060805	1ft/30cm	Flex-Trim	
28	4160182	2	Spring, Gas	
29	4740362	16	Washer, Fender	
30	4751400	16	Flatwasher 1/4in Regular	



## SECTION 2 TURNTABLE

**FIGURE 2-30. HOODS INSTALLATION (S/N 0300096000 TO S/N 0300126457) (CONTINUED)**

ITEM #	PART NUMBER	QTY.	DESCRIPTION	REV.
31	4751500	4	Flatwasher 5/16in Regular	
32	4751600	74	Flatwasher 3/8in Regular	
33	4846092	1	Hood Mounting Weldment (Engine Side)	
34	4846095	1	Hood Mounting Weldment (Tank Side)	
35	4846100	1	Latch, Hood	
36		1	Exhaust Tube Weldment Options:	
	4846110		Caterpillar, Deutz & Perkins Machines	F
	3460375		GM Machines	A
37	4846111	1	Latch, Hood	
38	0750808	4	Screw	
39	Not Used			
40	4740120	4	Washer, Nylon	
41		1	Insulation, Heat Shield Options:	
	Use 2820181		Caterpillar/Deutz/Perkins Engines (was p/n 2820129)	
	2820181		GM Engine	
		Ref.	<b>Note: Customer required to cut hole for exhaust stack on replacement heat shield p/n 2820181.</b>	
42	4061010	1	Shield, Heat Gasket	
43	4740500	3	Shoulder Washer, Nylon	
44	0902673	1	Bracket, Front Cover Support	
45	0902674	1	Bracket, Front Cover Support	
46	Use 1001101835	1	Insulation, Heat Shield (Silver) (was p/n 2820128)	
47	Use 1001101835	1	Insulation, Heat Shield (Silver) (was p/n 2820182)	
48	3380569	1	Shield, Heat (GM Engine Only)	
		Ref.	<b>Note: Items 49-51 are part of Item 14 Ford &amp; GM Hood Kit p/n 1001097962. Item 51 is part of Item 14 Deutz, Caterpillar &amp; Perkins Hood Kit p/n 1001097963.</b>	
49	1001109402	1	Insulation, Heat Shield (Silver) (GM Engine Only)	
50	1001109403	1	Insulation, Heat Shield (Silver) (GM Engine Only)	
51	1001101836	1	Insulation, Heat Shield (Silver)	
	0270354	Ref.	<b>NOISE REDUCTION INSTALLATION (DEUTZ MACHINES)</b>	C
101	Not Used			
102	2820099	9	Insulation, Foam	
	Use 1001146992	1	Insulation Kit (was p/n 6000394)	

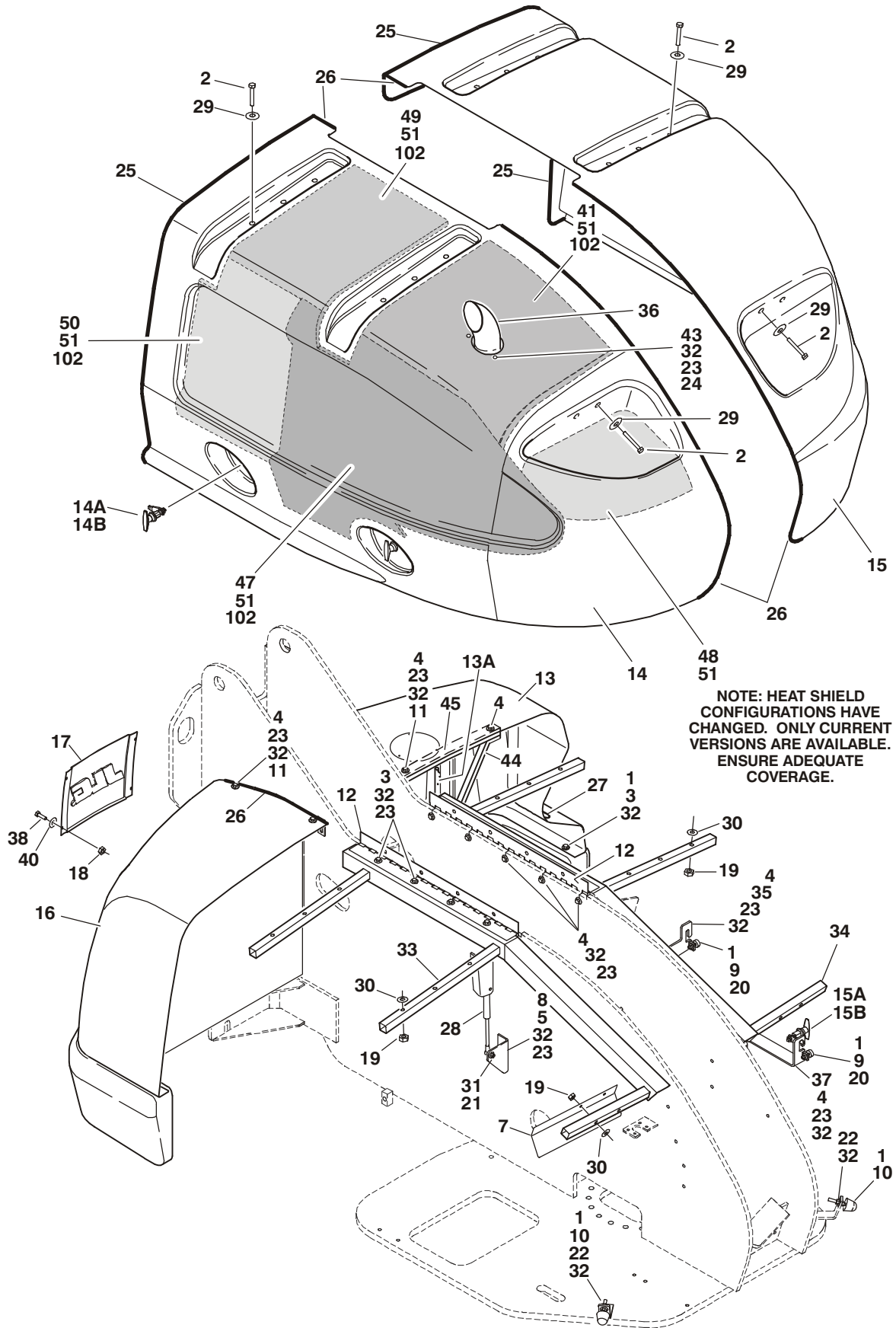
**SECTION 2 TURNTABLE**

**FIGURE 2-30. HOODS INSTALLATION (S/N 0300096000 TO S/N 0300126457) (CONTINUED)**

ITEM #	PART NUMBER	QTY.	DESCRIPTION	REV.

# SECTION 2 TURNTABLE

FIGURE 2-31. HOODS INSTALLATION (S/N 0300126457 TO PRESENT)



## SECTION 2 TURNTABLE

**FIGURE 2-31. HOODS INSTALLATION (S/N 0300126457 TO PRESENT)**

ITEM #	PART NUMBER	QTY.	DESCRIPTION	REV.
		Ref.	<b>HOODS INSTALLATIONS</b>	
	0259141	Ref.	<b>Caterpillar, Deutz &amp; Perkins Machines (All Specs except Australian/CE Specs)</b>	M
	1001149540	Ref.	<b>Caterpillar, Deutz &amp; Perkins Machines (Australian/CE Specs)</b>	A
	0274016	Ref.	<b>GM Machines</b>	H
1	0100011	A/R	Locking, Compound	
2	0641416	16	Bolt 1/4in-20NC x 2in	
3	0641608	13	Bolt 3/8in-16NC x 1in	
4	0641610	18	Bolt 3/8in-16NC x 1-1/4in	
5	0641612	5	Bolt 3/8in-16NC x 1-3/4in	
6	Not Used			
7	3380569	1	Insulation, Heat Shield (GM Engine Only)	
8	0902669	2	Angle, Mounting	
9	0940049	2	Stopper, Hood	
10	0940071	2	Bumper	
11	2540035	5	Grommet	
12	2600209	2	Hinge, Hood	
13	2680463	1	Cover, Hood (Front Right Side)	G
13A	2600258	2	Hinge, Ground Control Lid	
14		1	Hood (Engine Side) Options:	
		Ref.	<b>Note: Replacement decals must be ordered separately - See Section 8.</b>	
	1001146956	1	Hood Kit for Caterpillar, Deutz & Perkins Machines (Includes Non-Lockable Hood, Current Heat Shields & Item 36 Installed) (ANSI & ANSI Export Specs)	D
	1001146992	1	Hood Kit for Caterpillar, Deutz & Perkins Machines (Includes Non-Lockable Hood, Current Heat Shields & Items 36 & 102 Installed) (Australian & CE Specs)	D
	Use 1001097963	1	Hood Kit for Caterpillar, Deutz & Perkins Machines (Includes Non-Lockable Hood & Current Heat Shields - Purchase Item 36 Separately) (ANSI & ANSI Export Specs) (was p/n 2680464 & 1001146973)	E/D
	Use 1001097962	1	Hood Kit for GM Machines (Includes Non-Lockable Hood & Current Heat Shields - Purchase Item 36 Separately) (was p/n 1671170 & p/n 1001117041)	4
14A		2	Latch Options:	
	2940117		Non-Lockable	
	7027858		Lockable	
14B	0902668	2	Catch, Hood Latch	
15	2680465	1	Hood (Tank Side)	H
		Ref.	<b>Note: Replacement decals must be ordered separately - See Section 8.</b>	
15A		2	Latch Options:	
	2940117		Non-Lockable	
	7027858		Lockable	
15B	0902668	2	Catch, Hood Latch	
16	2680516	1	Cover, Hood (Front Left Side)	
17	2680471	1	Cover, Hood (Front Center)	D
18	3300441	4	Nut, Tinnerman	
19	3311405	16	Locknut 1/4in-20NC	

## SECTION 2 TURNTABLE

**FIGURE 2-31. HOODS INSTALLATION (S/N 0300126457 TO PRESENT) (CONTINUED)**

ITEM #	PART NUMBER	QTY.	DESCRIPTION	REV.
20	3311501	4	Nut 5/16in-18NC	
21	3311505	4	Locknut 5/16in-18NC	
22	3311601	4	Nut 3/8in-16NC	
23	3311605	A/R	Locknut 3/8in-16NC	
24	3900232	3	Capscrew, Button Head 3/8in-16NC 1-1/4in	
25	Not Used			
26	3960389	27ft/8.2m	Seal, Hood (S/N 0300126457 to S/N 0300161619 Only)	
27	4060805	1ft/30cm	Flex-Trim (S/N 0300126457 to S/N 0300161619 Only)	
28	4160182	2	Spring, Gas	
29	4740362	16	Washer, Fender	
30	4751400	16	Flatwasher 1/4in Regular	
31	4751500	4	Flatwasher 5/16in Regular	
32	4751600	A/R	Flatwasher 3/8in Regular	
33	4846092	1	Hood Mounting Weldment (Engine Side)	
34	4846095	1	Hood Mounting Weldment (Tank Side)	
35	4846100	1	Latch, Hood	
36		1	Exhaust Tube Weldment Options:	
	4846110		Caterpillar, Deutz & Perkins Machines	F
	3460375		GM Machines (S/N 0300126457 to S/N 0300146956)	A
	1001117037		GM Machines (S/N 0300146956 to Present)	A
37	4846111	1	Latch, Hood	
38	0750808	4	Screw	
39	Not Used			
40	4740120	4	Washer, Nylon	
41		1	Insulation, Heat Shield Options:	
	Use 2820181		Caterpillar/Deutz/Perkins Engines (was p/n 2820129)	
			GM Engines	
	Use 1001117139		S/N 0300126457 to S/N 0300146956 (was p/n 2820181)	
	1001117139		S/N 0300146956 to Present	
		Ref.	<b>Note: Customer required to cut hole for exhaust stack on replacement heat shield p/n 2820181.</b>	
42	Not Used			
43	4740500	3	Shoulder Washer, Nylon	
44	0902673	1	Bracket, Front Cover Support	
45	0902674	1	Bracket, Front Cover Support	
46	Not Used			
47		1	Insulation, Heat Shield (Silver) Options:	
	Use 1001101835		Caterpillar, Deutz & Perkins Engines (was p/n 2820182)	
			GM Engines	
	Use 1001117139		S/N 0300126457 to S/N 0300146956 (was p/n 2820182 & 1001101835)	
	1001117139		S/N 0300146956 to Present	
48		1	Insulation, Heat Shield (Silver) Options:	
	1001101836		Caterpillar, Deutz & Perkins Engines	
			GM Engines	
	Use 1001117139		S/N 0300126457 to S/N 0300146956 (was p/n 1001101836)	
	1001117139		S/N 0300146956 to Present	

## SECTION 2 TURNTABLE

**FIGURE 2-31. HOODS INSTALLATION (S/N 0300126457 TO PRESENT) (CONTINUED)**

ITEM #	PART NUMBER	QTY.	DESCRIPTION	REV.
49	1001109402	1	Insulation, Heat Shield (Silver) Options: Caterpillar, Deutz & Perkins Engines GM Engines	
	Use 1001117139		S/N 0300126457 to S/N 0300146956 (was p/n 1001109402)	
	1001117139		S/N 0300146956 to Present	
50	1001109403	1	Insulation, Heat Shield (Silver) Options: Caterpillar, Deutz & Perkins Engines GM Engines	
	Use 1001117139		S/N 0300126457 to S/N 0300146956 (was p/n 1001109403)	
	1001117139		S/N 0300146956 to Present	
51	1001117140	1	Tape, Aluminized (GM Engines Only) (S/N 0300146956 to Present)	
	0270354	Ref.	<b>NOISE REDUCTION INSTALLATION (DEUTZ MACHINES S/N 0300126547 TO S/N 0300166185) (OPTIONAL ON ANSI &amp; ANSI EXPORT SPECS / STANDARD ON AUSTRALIAN &amp; CE SPECS)</b>	C
101	Not Used			
102	2820099	9	Insulation, Foam (Black) -----	
	Use 1001146992	1	Insulation Kit (was p/n 6000394)	

## SECTION 2 TURNTABLE

FIGURE 2-31. HOODS INSTALLATION (S/N 0300126457 TO PRESENT) (CONTINUED)

ITEM #	PART NUMBER	QTY.	DESCRIPTION	REV.

# **SECTION 3**

## **BOOM**



# SECTION 3 BOOM

## FIGURE 3-1. BOOM INSTALLATIONS

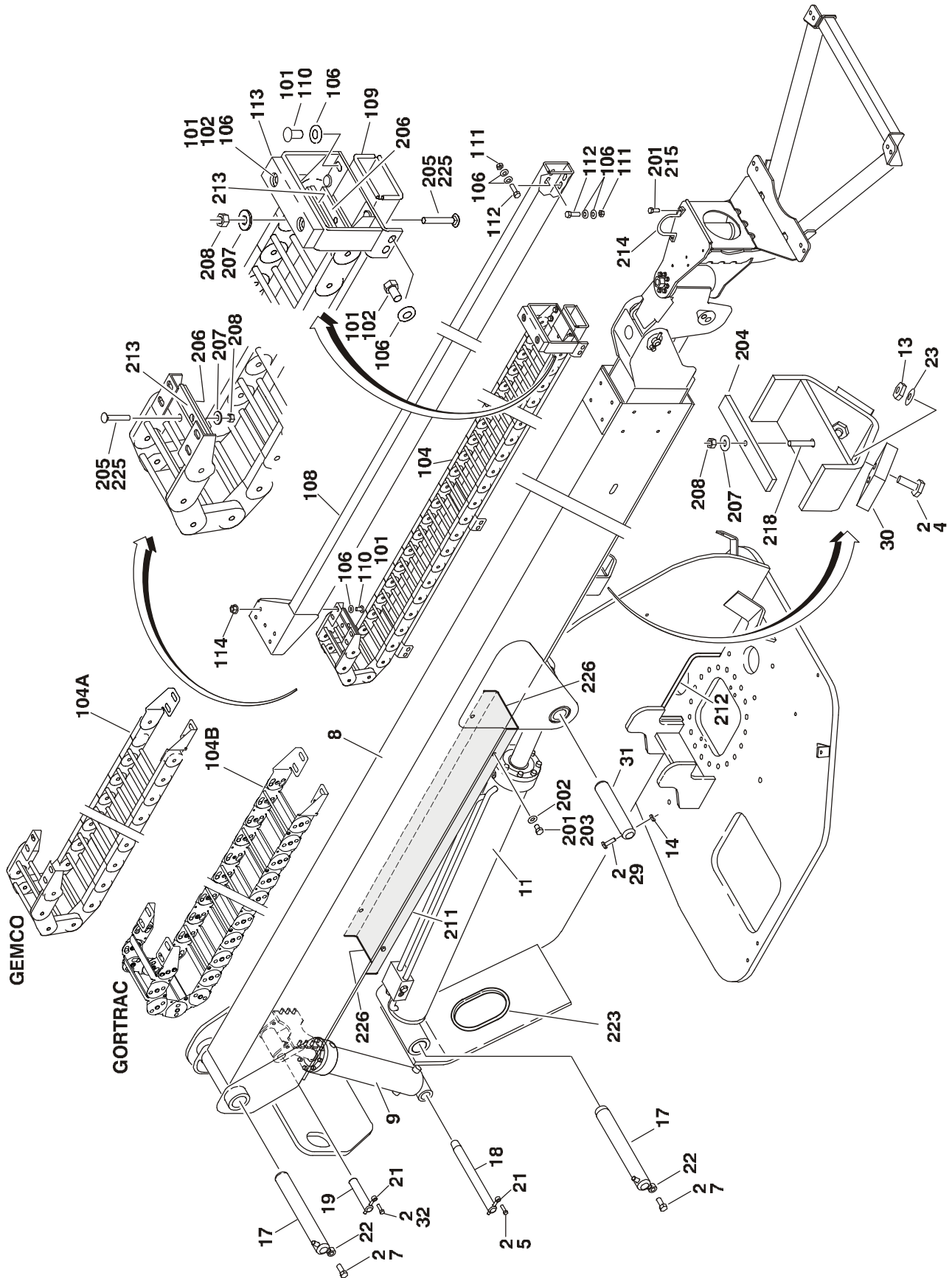


FIGURE 3-1. BOOM INSTALLATIONS

ITEM #	PART NUMBER	QTY.	DESCRIPTION	REV.
		Ref.	<b>BOOM AND CYLINDERS INSTALLATION</b>	
	0273065	Ref.	<b>400S</b>	D
	0272999	Ref.	<b>460SJ</b>	D
1	Not Used			
2	0100011	A/R	Locking, Compound	
3	Not Used			
4	0641610	4	Bolt 3/8in-16NC x 1-1/4in	
5	0641608	1	Bolt 3/8in-16NC x 1in	
6	Not Used			
7	0642012	2	Bolt 5/8in-11NC x 1-1/2in	
8		1	Boom Assembly Options:	
	0801359		400S (See Figure 3-2 for Breakdown)	
	0801360		460SJ (See Figure 3-3 for Breakdown)	
9		1	Master Cylinder Assembly (See Section 5 for Breakdown)	
	Use 1001140587		S/N 0300096000 to S/N 0300165145 (was p/n 1684284)	
	1001140587		S/N 0300165145 to Present	
10	Not Used			
11	1683776	1	Lift Cylinder Assembly (See Section 5 for Breakdown)	
12	Not Used			
13	3311601	4	Nut 3/8in-16NC	
14	3311605	A/R	Locknut 3/8in-16NC	
15 to 16	Not Used			
17	3422564	2	Pin, Pivot	
18	3422566	1	Pin, Pivot	
19	3422561	1	Pin, Pivot	
20	Not Used			
21	3841143	A/R	Keeper, Pin - 3/8in	
22	3841258	2	Keeper, Pin - 5/8in	
23	4711600	8	Flatwasher 3/8in Thin	
24 to 28	Not Used			
29	0681632	1	Bolt 3/8in-16NC x 4in (Grade 8)	
30	3340853	2	Pad, Boom Rest	
31	3422851	1	Pin, Boom Lift	
32	0641606	1	Bolt 3/8in-16NC x 3/4in	
		Ref.	<b>POWERTRACK INSTALLATION</b>	
	0270213	Ref.	<b>Standard Powertrack</b>	D
	0272897	Ref.	<b>Inverted Powertrack</b>	B
101	0100011	A/R	Locking, Compound	
102	0641605	10	Bolt 3/8in-16NC x 5/8in	
103	Not Used			
104		1	Power Track Assembly Options:	
		Ref.	<b>Note: Original Power Track may have been replaced with a Service Replacement. Visually identify the power track before ordering parts.</b>	
	Use 1001099830	1	Standard Power Track Assembly (was p/n 1180336)	

# SECTION 3 BOOM

**FIGURE 3-1. BOOM INSTALLATIONS (CONTINUED)**

ITEM #	PART NUMBER	QTY.	DESCRIPTION	REV.
104A	7006140	A/R	Gemco Brand Replacement Parts: 1Ft. Repair Section for p/n 1180336 Power Track (Includes 10 Link Pins, 4 Radius Links, 8 Carrier Links, 4 Rod Carrier, 8 Screws, 10 Slugs & 20 Bearing Plates)	
	7006151	2Pr.	Feet, Mounting for p/n 1180336 Power Track (Includes 2 Round Spacers, Left & Right Mounting Feet)	
	7006152	A/R	Pin Kit for p/n 1180336 Power Track (Includes 1 Pin, 1 Retaining Ring & Set of 4 Washers (Different Sizes))	
104B	70001994	A/R	Gortrac Brand Replacement Parts: Repair Section - 1 Foot for 1001099830 Power Track	
	70001994	1	Mounting Bracket Kit for 1001099830 Power Track	
	1180379	1	Inverted Power Track Assembly	
	7016505	A/R	8in. Repair Section for 1180379 Power Track (Includes extra pin assemblies for each end but no mounting feet)	
	7016524	2Pr.	Feet, Mounting for 1180379 Power Track (Includes 1 each of Left & Right Mounting Feet)	
	7006137	A/R	Pin Kit for 1180379 Power Track (Includes 1 Pin, 1 Retaining Ring & Set of 4 Washers (Different Sizes))	
105	Not Used			
106	4711600	26	Flatwasher 3/8in Thin	
107	Not Used			
108	4846216	1	Tube, Push	
109	4846186	1	Tube, Carrier	
110	3900283	8	Screw, Button Head 3/8in-16NC x 3/4in	
111	3311601	4	Nut 3/8in-16NC	
112	0641609	4	Bolt 3/8in-16NC x 1/8in	
113	3340453	1	Pad, Wear	
114	3311608	4	Nut, Flanged 3/8in-16NC	
		Ref.	<b>BOOM CABLE CLAMPS INSTALLATION</b>	
	0271160	Ref.	<b>400S (ANSI &amp; ANSI Export Specs)</b>	9
	1001093916	Ref.	<b>400S with Arctic Package (ANSI &amp; ANSI Export Specs)</b>	B
	0271162	Ref.	<b>400S (Australian &amp; CE Specs)</b>	9
	0272612	Ref.	<b>400S with 7500w SKYPOWER Generator</b>	5
	1001093922	Ref.	<b>400S with 7500w SKYPOWER Generator &amp; Arctic Package</b>	C
	0271159	Ref.	<b>460SJ (ANSI &amp; ANSI Export Specs)</b>	9
	1001093919	Ref.	<b>460SJ with Arctic Package (ANSI &amp; ANSI Export Specs)</b>	A
	0271161	Ref.	<b>460SJ (Australian &amp; CE Specs)</b>	9
	0272613	Ref.	<b>460SJ with 7500w SKYPOWER Generator</b>	5
	1001093924	Ref.	<b>460SJ with 7500w SKYPOWER Generator &amp; Arctic Package</b>	B
201	0100011	A/R	Locking, Compound	
202	4711600	4	Flatwasher 3/8in Thin	
203	0641604	4	Bolt 3/8in-16NC x 1/2in	
204	3572200	1	Clamp, Block	
205	0630566	2	Bolt, Carriage 5/16in-18NC x 2-1/4in	
206	3572345	4	Clamp, Block	
207	4751500	3	Flatwasher 5/16in Regular	
208	3311505	3	Locknut 5/16in-18NC	
209 to 210	Not Used			

FIGURE 3-1. BOOM INSTALLATIONS (CONTINUED)

ITEM #	PART NUMBER	QTY.	DESCRIPTION	REV.
211	3572165		Cover	
212	4060919	6ft/1.8m	Trim, Protection	
213		2	Pad Options:	
	3340897		S/N 0300096000 to S/N 0300104749	
	3340942		S/N 0300104749 to Present	
214	3841340	1	Rod, Hose Loop	
215	0641605	2	Bolt 3/8in-16NC x 5/8in	
216 to 217	Not Used			
218	0641516	1	Bolt 5/16in-18NC x 2in	
219 to 222	Not Used			
223	4060808	5ft/1.5m	Trim, Protection	
224	Not Used			
225	0100081	A/R	Adhesive #454	
226	4060805	1.5ft/0.5m	Trim, Protection	

# SECTION 3 BOOM

FIGURE 3-2. BOOM ASSEMBLY - 400S

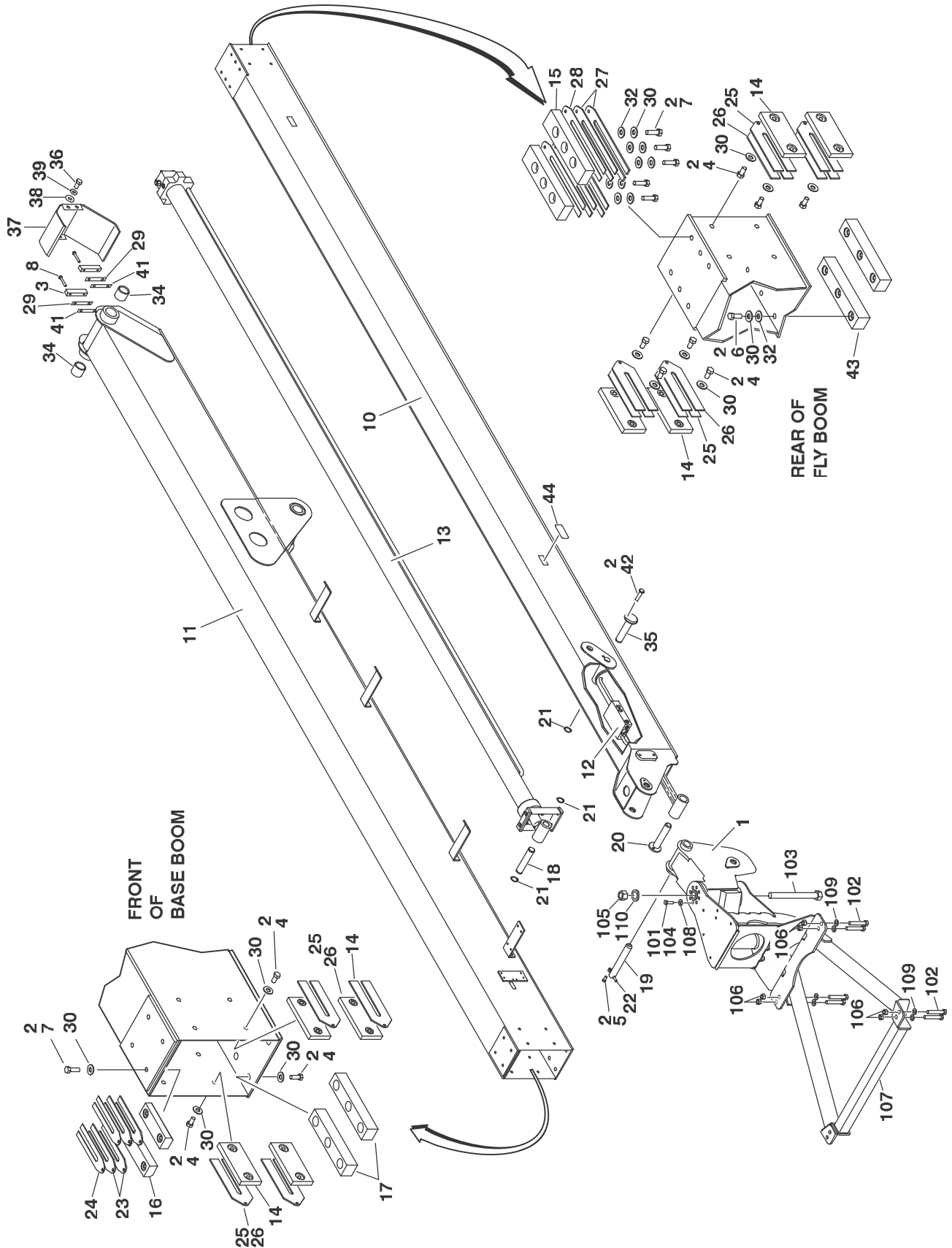


FIGURE 3-2. BOOM ASSEMBLY - 400S

ITEM #	PART NUMBER	QTY.	DESCRIPTION	REV.
	0801359	Ref.	<b>BOOM ASSEMBLIES</b>	E
1	0060059	1	Rotator Assembly (See Figure 3-4 for Breakdown)	
2	0100011	A/R	Locking, Compound	
3	0561185	2	Block, Telescope Cylinder Attach	
4	0641606	16	Bolt 3/8in-16NC x 3/4in	
5	0641605	1	Bolt 3/8in-16NC x 5/8in	
6	0641608	6	Bolt 3/8in-16NC x 1in	
7	0641610	10	Bolt 3/8in-16NC x 1-1/4in	
8	0641616	2	Bolt 3/8in-16NC x 2in	
9	Not Used			
10	0801213	1	Boom, Fly	
11	0801215	1	Boom, Base	
12		1	Level (Platform Slave) Cylinder Assembly (See Section 5 for Breakdown)	
	Use 1001140586		S/N 0300096000 to S/N 0300165145 (was p/n 1683778)	
	1001140586		S/N 0300165145 to Present	
13	1684194	1	Telescope Cylinder Assembly (See Section 5 for Breakdown)	
14		8	Pad, Wear Options (Fly Rear Sides & Base Front Sides):	
	3340867		S/N 0300096000 to S/N 0300168822	
	1001149036		S/N 0300168822 to Present	
15	3340868	2	Pad, Wear (Fly Rear Top)	
16		2	Pad, Wear Options (Base Front Top):	
	3340869		S/N 0300096000 to S/N 0300168822	
	1001149038		S/N 0300168822 to Present	
17	3340870	2	Pad, Wear (Base Front Bottom)	
18	3422457	1	Pin, Telescope Cylinder	
19	3422582	1	Pin, Pivot	
20	3422865	1	Pin, Pivot	
21	3760133	3	Ring, Retaining	
22	3841143	1	Keeper, Pin	
23	4070497	4	Shim 1/8in	
24	4070498	2	Shim 1/16in	
25	4070501	8	Shim 1/8in	
26	4070502	2	Shim 1/16in	
27	4070503	4	Shim 1/8in	
28	4070504	2	Shim 1/16in	
29	4070929	2	Shim 1/8in	
30	4751600	26	Flatwasher 3/8in Regular	
31	Not Used			
32	4711600	20	Flatwasher 3/8in Thin	
33	0961951	2	Bushing	
34	0961950	2	Bushing	
35	3422859	1	Pin	
36	0641406	4	Bolt 1/4in-20NC x 3/4in	
37	4060995	1	Shield, Rear	
38	4751400	4	Flatwasher 1/4in Regular	
39	4761400	4	Lockwasher 1/4in	
40	Not Used			

## SECTION 3 BOOM

**FIGURE 3-2. BOOM ASSEMBLY - 400S (CONTINUED)**

ITEM #	PART NUMBER	QTY.	DESCRIPTION	REV.
41	4071007	2	Shim, 20 Gauge	
42	0741605	A/R	Screw, Flathead Socket 3/8in-16NC x 5/8in	
43	3340870	2	Pad, Wear Options (Fly Rear Bottom): S/N 0300096000 to S/N 0300168822	
	1001149039		S/N 0300168822 to Present	
44	1670836	6	Cover (S/N 0300096000 to S/N 0300128256 Only)	
		Ref.	<b>PLATFORM SUPPORT INSTALLATION</b>	
	0272070	Ref.	<b>Machines without Load Sensing and without SkyGlazier</b>	E
	See Note	Ref.	<b>Machines without Load Sensing and with SkyGlazier (Note: For Replacement Parts, Contact JLG Customer Service and Request Manual p/n 3124242)</b>	
	See Note	Ref.	<b>Machines with Load Sensing and without SkyGlazier (Note: For Replacement Parts, Contact JLG Customer Service and Request Manual p/n 3124287)</b>	
	See Note	Ref.	<b>Machines with Load Sensing and with SkyGlazier (Note: For Replacement Parts, Contact JLG Customer Service and Request Manual p/n 3124287)</b>	
101	0100011	A/R	Locking, Compound	
102	0641812	8	Bolt 1/2in-13NC x 1-1/2in	
103	0642684	1	Bolt 1in-8NC x 10-1/2in	
104	0681608	8	Bolt 3/8in-16NC x 1in	
105	3300243	1	Locknut 1in-8NC	
106	3311805	8	Locknut 1/2in-13NC	
107	4846573	1	Support Weldment	
108	4891600	8	Flatwasher 3/8in Hardened	
109	4891800	8	Flatwasher 1/2in Hardened	
110	4892600	1	Flatwasher 1in Hardened	

**FIGURE 3-2. BOOM ASSEMBLY - 400S (CONTINUED)**

ITEM #	PART NUMBER	QTY.	DESCRIPTION	REV.



# SECTION 3 BOOM

FIGURE 3-3. BOOM ASSEMBLY - 460SJ

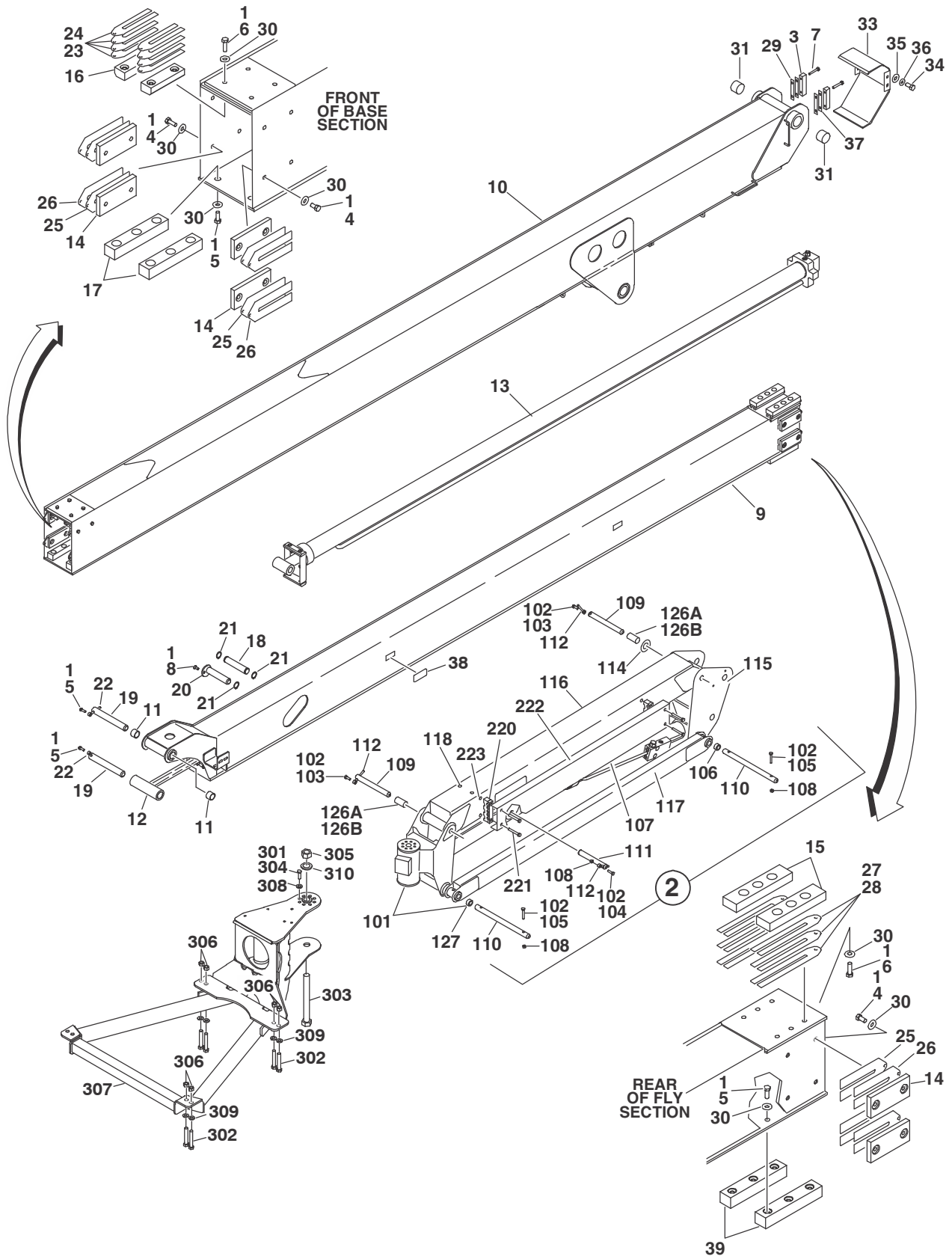


FIGURE 3-3. BOOM ASSEMBLY - 460SJ

ITEM #	PART NUMBER	QTY.	DESCRIPTION	REV.
	0801360	Ref.	<b>BOOM ASSEMBLIES</b>	E
1	0100011	A/R	Locking, Compound	
2	0272593	1	Jib Assembly (See Items 101-127 for Breakdown)	
3	0561185	2	Block, Telescope Cylinder Attach	
4	0641606	16	Bolt 3/8in-16NC x 3/4in	
5	0641608	14	Bolt 3/8in-16NC x 1in	
6	0641610	10	Bolt 3/8in-16NC x 1-1/4in	
7	0641616	2	Bolt 3/8in-16NC x 2in	
8	0741605	1	Screw, Flathead Socket 3/8in-16NC x 5/8in	
9	0801214	1	Boom, Fly	
10	0801216	1	Boom, Base	
11	0961951	2	Bushing, Composite	
12	1684013	1	Platform Level Cylinder Assembly (See Section 5 for Breakdown)	
13	1684194	1	Telescope Cylinder Assembly (See Section 5 for Breakdown)	
14		8	Pad, Wear Options (Fly Rear Sides & Base Front Sides): S/N 0300096000 to S/N 0300168822 S/N 0300168822 to Present	
15	3340867 1001149036 3340868	2	Pad, Wear (Fly Rear Top)	
16	3340869 1001149038	2	Pad, Wear Options (Base Front Top): S/N 0300096000 to S/N 0300168822 S/N 0300168822 to Present	
17	3340870	2	Pad, Wear (Base Front Bottom)	
18	3422457	1	Pin, Telescope Cylinder	
19	3422561	2	Pin, Pivot	
20	3422859	1	Pin, Pivot	
21	3760133	3	Ring, Retaining	
22	3841143	2	Keeper, Pin	
23	4070497	4	Shim 1/8in	
24	4070498	4	Shim 1/16in	
25	4070501	8	Shim 1/8in	
26	4070502	8	Shim 1/16in	
27	4070503	2	Shim 1/8in	
28	4070504	4	Shim 1/16in	
29	4070929	2	Shim 1/8in	
30	4751600	26	Flatwasher 3/8in Regular	
31	0961950	2	Bearing, Composite	
32	Not Used			
33	4060995	1	Cover, Rear	
34	0641406	4	Bolt 1/4in-20NC x 3/4in	
35	4751400	4	Flatwasher 1/4in Regular	
36	4761400	4	Lockwasher 1/4in	
37	4071007	2	Shim, 20 Gauge	
38	1670836	6	Cover (S/N 0300096000 to S/N 0300128256 Only)	
39	3340870 1001149039	2	Pad, Wear Options (Fly Rear Bottom): S/N 0300096000 to S/N 0300168822 S/N 0300168822 to Present	

# SECTION 3 BOOM

**FIGURE 3-3. BOOM ASSEMBLY - 460SJ (CONTINUED)**

ITEM #	PART NUMBER	QTY.	DESCRIPTION	REV.
	0272593	Ref.	<b>JIB ASSEMBLIES</b>	D
101	0060048	1	Rotator Assembly (See Figure 3-4 for Breakdown)	
102	0100011	A/R	Locking, Compound	
103	0641608	A/R	Bolt 3/8in-16NC x 1in	
104	0641610	1	Bolt 3/8in-16NC x 1-1/4in	
105	0641618	4	Bolt 3/8in-16NC x 2-1/4in	
106	0961947	A/R	Bushing, Composite Options:	
		2	S/N 0300096000 to S/N 0300129072	
		4	S/N 0300129072 to Present	
		Ref.	<b>Note: For machines S/N 0300096000 to S/N 0300129072, when replacing 106, recommend using qty 4 instead of qty 2.</b>	
107	1683609	1	Jib Lift Cylinder Assembly (See Section 5 for Breakdown)	
108	3311605	5	Locknut 3/8in-16NC	
109	3422860	2	Pin, Pivot	
110	3422861	2	Pin, Pivot	
111	3422867	1	Pin, Pivot	
112	3841143	3	Keeper, Pin - 3/8in	
113	Not Used			
114	4740439	2	Thrustwasher	
115	4844815	1	Pivot Weldment	
116	4844816	1	Tube (Top) (Includes Item 126B)	
117	4844817	2	Tube (Bottom)	
118	3520034	4	Plug, Hole (S/N 0300103508 to Present)	
119 to 125	Not Used			
126		4	Bushing, Composite Options:	
126A	Use 0962335		S/N 0300096000 to S/N 0300097071 (was p/n 0961947)	
126B	0962335		S/N 0300097071 to Present (Part of Item 116)	
127	0961947	2	Bushing, Composite (Part of Item 101 S/N 0300129072 to Present)	
		Ref.	<b>BOOM CABLES INSTALLATION</b>	
	0271159	Ref.	<b>460SJ (ANSI &amp; ANSI Export Specs)</b>	9
	1001093919	Ref.	<b>460SJ with Arctic Package (ANSI &amp; ANSI Export Specs)</b>	A
	0271161	Ref.	<b>460SJ (Australian &amp; CE Specs)</b>	9
	0272613	Ref.	<b>460SJ with 7500w SKYPOWER Generator</b>	5
	1001093924	Ref.	<b>460SJ with 7500w SKYPOWER Generator &amp; Arctic Package</b>	B
201 to 219	Not Used			
220	0561237	2	Clamp, Block	
221	0641416	4	Bolt 1/4in-20NC x 2in	
222	1670769	1	Cover	
223	2080044	4	Fastener, Rivnut	

FIGURE 3-3. BOOM ASSEMBLY - 460SJ (CONTINUED)

ITEM #	PART NUMBER	QTY.	DESCRIPTION	REV.
		Ref.	<b>PLATFORM SUPPORT INSTALLATION</b>	
	0272070	Ref.	<b>Machines without Load Sensing and without SkyGlazier</b>	E
	See Note	Ref.	<b>Machines without Load Sensing and with SkyGlazier (Note: For Replacement Parts, Contact JLG Customer Service and Request Manual p/n 3124242)</b>	
	See Note	Ref.	<b>Machines with Load Sensing and without SkyGlazier (Note: For Replacement Parts, Contact JLG Customer Service and Request Manual p/n 3124287)</b>	
	See Note	Ref.	<b>Machines with Load Sensing and with SkyGlazier (Note: For Replacement Parts, Contact JLG Customer Service and Request Manual p/n 3124287)</b>	
301	0100011	A/R	Locking, Compound	
302	0641812	8	Bolt 1/2in-13NC x 1-1/2in	
303	0642684	1	Bolt 1in-8NC x 10-1/2in	
304	0681608	8	Bolt 3/8in-16NC x 1in	
305	3300243	1	Locknut 1in-8NC	
306	3311805	8	Locknut 1/2in-13NC	
307	4846573	1	Support Weldment	
308	4891600	8	Flatwasher 3/8in Hardened	
309	4891800	8	Flatwasher 1/2in Hardened	
310	4892600	1	Flatwasher 1in Hardened	

# SECTION 3 BOOM

FIGURE 3-4. ROTATOR ASSEMBLIES

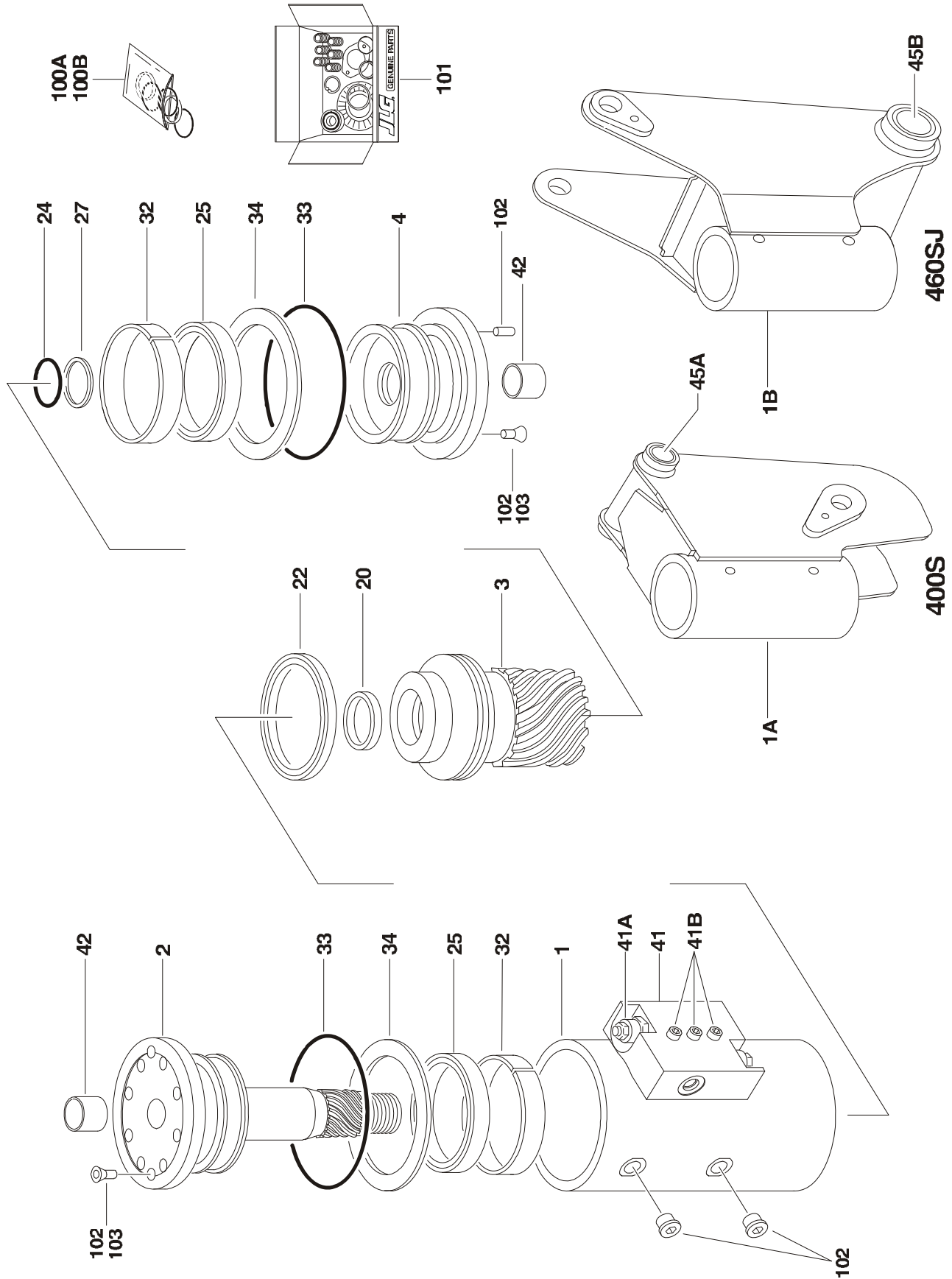


FIGURE 3-4. ROTATOR ASSEMBLIES

ITEM #	PART NUMBER	QTY.	DESCRIPTION	REV.
		Ref.	<b>ROTATOR ASSEMBLIES</b>	
	0060059	Ref.	<b>400S</b>	E
	0060048	Ref.	<b>460SJ</b>	H
1	See Note	1	Housing/Ring Gear Assembly ( <b>Note: Not Available - Purchase Complete Rotator Assembly</b> )	
2	7017162	1	Shaft Weldment	
3	7017163	1	Piston/Sleeve Assembly	
4	7017164	1	Cap, End	
5 to 19	Not Used			
20	See Note	1	T-Seal ( <b>Note: Use Item 100A or 100B</b> )	
21	Not Used			
22	See Note	1	T-Seal ( <b>Note: Use Item 100A or 100B</b> )	
23	Not Used			
24	See Note	1	O-Ring ( <b>Note: Use Item 100A or 100B</b> )	
25	See Note	2	Seal ( <b>Note: Use Item 100A or 100B</b> )	
26	Not Used			
27	See Note	1	Ring, Back-up ( <b>Note: Use Item 100A or 100B</b> )	
28 to 31	Not Used			
32	Use 7017159	2	Ring, Wear	
33	See Note	2	Ring, Wiper ( <b>Note: Use Item 100A or 100B</b> )	
34	Use 7017159	2	Thrustwasher	
35 to 40	Not Used			
41	7017172	A/R	Valve Assembly	
41A	7017192	2	Cartridge, Valve	
	Use 7017192	2	Seal Kit - 7017192 Valve ( <b>Note: Not Available for Purchase</b> )	
41B	See Note	3	Bolt 1/4in-20NC (Grade 8) ( <b>Note: Not Available - Purchase Locally</b> )	
42	7017195	2	Bushing	
43 to 44	Not Used			
45		2	Bushing Options:	
45A	0961951		400S	
45B	0961947		460SJ	
100		1	Seal Kit Options (Includes Items 20,22,24,25,27 & 33):	
100A	7017158		Standard	
100B	70000342		Low Temperature	
101	7017159	1	Bearing Kit (Includes Items 32 & 34)	
102		1	Hardware Kit	
	7017142		Platform Rotate Actuator	
103	70001697	4	Screw, Countersunk 1/4in-20NC x 3/8in (Grade 8)	

# SECTION 3 BOOM

## FIGURE 3-4. ROTATOR ASSEMBLIES (CONTINUED)

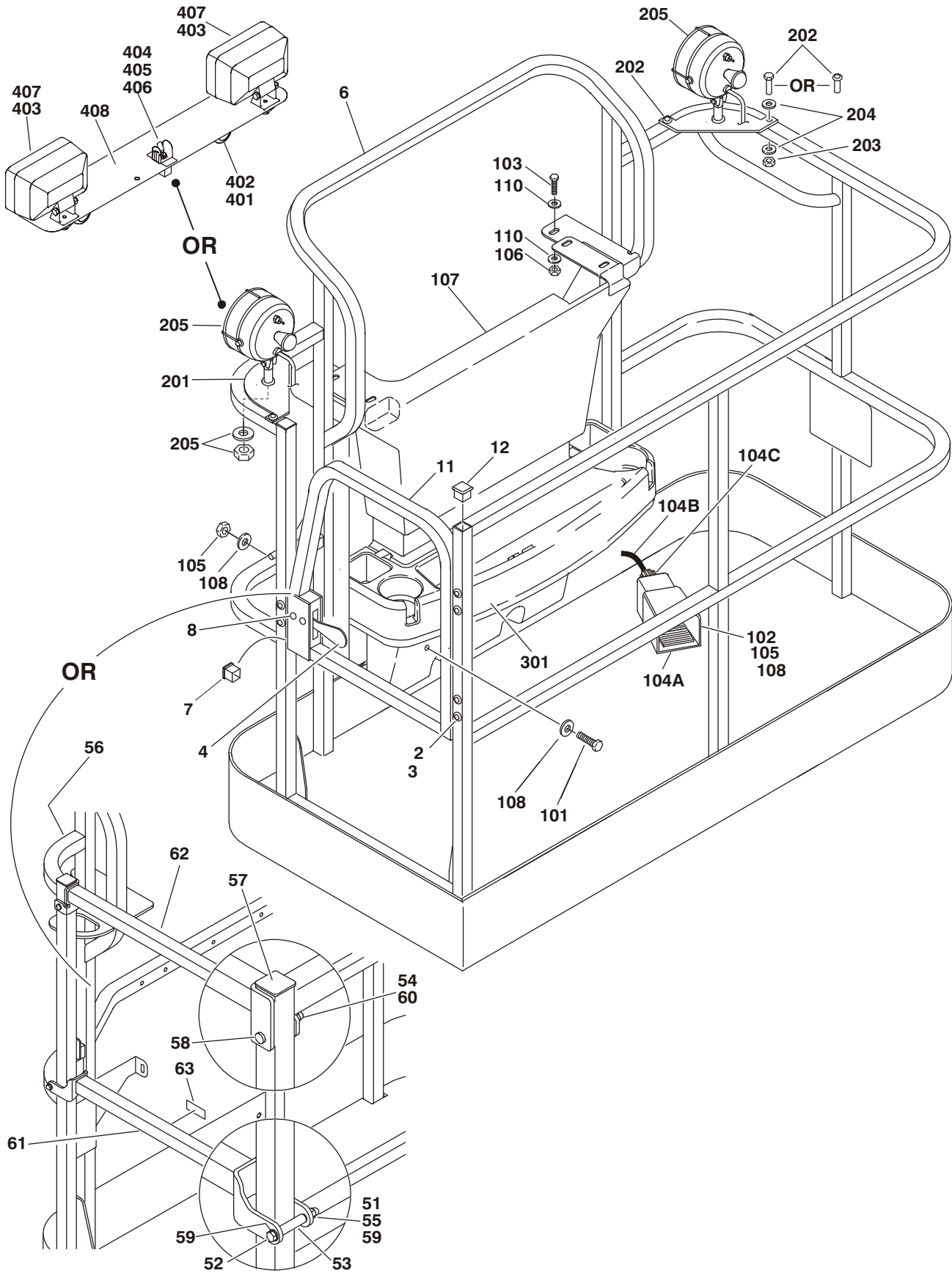
ITEM #	PART NUMBER	QTY.	DESCRIPTION	REV.

# **SECTION 4 PLATFORM**



# SECTION 4 PLATFORM

## FIGURE 4-1. PLATFORM INSTALLATION



## SECTION 4 PLATFORM

**FIGURE 4-1. PLATFORM INSTALLATION**

ITEM #	PART NUMBER	QTY.	DESCRIPTION	REV.
		Ref.	<b>PLATFORM ASSEMBLIES WITH GATE</b>	
	Use 1001144023	Ref.	<b>Platform 36in X 8ft (91.5cm x 2.44m) with No Mesh (was p/n 3510822)</b>	B/J
	Use 1001144024	Ref.	<b>Platform 36in X 6ft (91.5cm x 1.83m) with No Mesh (was p/n 3510833)</b>	B/I
	Use 1001144026	Ref.	<b>Platform 30in X 5ft (76cm x 1.52m) with No Mesh (was p/n 3510831)</b>	B/L
	Use 1001144027	Ref.	<b>Platform 30in x 4ft (76cm x 1.22m) (was p/n 3510830)</b>	B/M
		Ref.	<b>Note: Original Equipment platform may have been replaced with Service Replacement platform. Identify platform before ordering parts.</b>	
		Ref.	<b>Note: Platform and Mesh must be ordered separately for Platforms with Mesh. See Section 10 for Mesh Installations.</b>	
		Ref.	<b>Note: Replacement Decals Must be purchased separately - See Section 8.</b>	
1	Not Used			
2	2080040	16	Fastener, Huck	
3	2600281	2	Hinge, Self-Closing	
4	2940074	1	Latch	
5	Not Used			
6	See Note	1	Platform Weldment ( <b>Note: Purchase Platform Assembly</b> )	
7	3520072	1	Cap-Plug	
8	3820020	4	Rivet	
9	Not Used			
10		1	Gate Weldment Options:	
	4846452		Gate for Platform p/ns 3510822, 3510830, 3510831, 3510833	
	1001144629		Gate for Platform p/ns 1001144023, 1001144024, 1001144025, 1001144026, 1001144027	
11	3520072	2	Cap-Plug	
		Ref.	<b>PLATFORM ASSEMBLIES WITH DROP BAR</b>	
	Use 1001144022	Ref.	<b>Platform 36in X 8ft (91.5cm x 2.44m) with No Mesh (was p/n 1001138430)</b>	B/B
	Use 1001144018	Ref.	<b>Platform 30in X 4ft (76cm x 1.22m) with No Mesh (was p/n 1001138431)</b>	B/B
	1001144019	Ref.	<b>Platform 30in X 5ft (76.5cm x 1.52m) with No Mesh</b>	B
	1001144021	Ref.	<b>Platform 30in X 6ft (76.5cm x 1.83m) with No Mesh</b>	B
		Ref.	<b>Note: Platform and Mesh must be ordered separately for Platforms with Mesh. See Section 10 for Mesh Installations.</b>	
		Ref.	<b>Note: Replacement Decals Must be purchased separately - See Section 8.</b>	
51	0100011	A/R	Compound, Locking	
52	0641418	2	Bolt 1/4in-20NC x 2-1/4in	
53	0961845	2	Bushing	
54	3290606	2	Nut M6	
55	3300151	2	Nut, Acorn	
56	See Note	1	Platform Weldment ( <b>Note: Not Available - Purchase Platform Assembly</b> )	
57	3520198	2	Cap-Plug	

## SECTION 4 PLATFORM

**FIGURE 4-1. PLATFORM INSTALLATION (CONTINUED)**

ITEM #	PART NUMBER	QTY.	DESCRIPTION	REV.
58	4010618	2	Screw M6 x 50mm	
59	4711400	4	Flatwasher 1/4in	
60	4811700	2	Flatwasher M6	
61	1001138494	1	Bar, Drop	
62	1001138514	1	Rail (Top)	
63	1001140429	1	Decal - Drop-Bar	
		Ref.	<b>CONSOLE BOX INSTALLATIONS OPTIONS:</b>	
	0272609	Ref.	<b>Deutz/Caterpillar/Perkins/GM (S/N 0300096000 to S/N 0300140365)</b>	B
	Use 1001145875	Ref.	<b>Deutz (S/N 0300140365 to Present) (was p/n 1001108881)</b>	A/C
	1001108878	Ref.	<b>Caterpillar/GM (S/N 0300140365 to S/N 0300146032)</b>	B
	Use 1001145875	Ref.	<b>Caterpillar/GM (S/N 0300146032 to Present) (was p/n 1001108881)</b>	A/C
	1001108878	Ref.	<b>Perkins (S/N 0300140365 to Present)</b>	B
101	0641406	4	Bolt 1/4in-20NC x 3/4in	
102	0641408	3	Bolt 1/4in-20NC x 1in	
103	0641610	4	Bolt 3/8in-16NC x 1-1/4in	
104		1	Platform Console Box Assembly Options (Not Shown) (See Figure 4-4 for Breakdown):	
	0861571	1	Deutz/Caterpillar/Perkins/GM (S/N 0300096000 to S/N 0300140365)	
	Use 1001145877	1	Deutz (S/N 0300140365 to Present) (was p/n 1001108880)	
	1001108877	1	Caterpillar/GM (S/N 0300140365 to S/N 0300146032)	
	Use 1001145877	1	Caterpillar/GM (S/N 0300146032 to S/N 0300167708) (was p/n 1001108880)	
	1001108877	1	Perkins (S/N 0300140365 to Present)	
104A		1	Footswitch Assembly Options (Includes Footswitch & Items 104B - 104E):	B
	0272970		S/N 0300096000 to S/N 0300167708	B
	1001117174		S/N 0300167708 to Present	B
		Ref.	<b>Note: Assembly p/n 0272970 may use either p/n 4360031 or p/n 1001117320. If Original Equipment on machines S/N 0300096000 to S/N 0300143951 was replaced as an "assembly," p/n 1001117320 may have been used as part of the Service Replacement. Identify component before ordering parts.</b>	
		A/R	Footswitch Options:	
	4360031	1	Footswitch (S/N 0300096000 to S/N 0300143951)	
	7000625	2	Contact Block for 4360031 Footswitch	
	1001117320	1	Footswitch (S/N 0300143951 to S/N 0300167708)	
	70003483	1	Contact Block for 1001117320 Footswitch	
	1001117172	1	Footswitch (S/N 0300167708 to Present)	
	70002902	1	Block, Contact for 1001117172 Footswitch	
	70002903	1	Gasket for 1001117172 Footswitch	
	70002905	1	Cover for 1001117172 Footswitch	
	70002904	1	Bolt Replacement Kit for 1001117172 Footswitch	
104B	1060918	7.5ft/2.3m	Cable, Electrical - 18/3	
104C	4460071	1	Connector, Strain Relief	
104D	4460464	1	Pin, Male (Not Shown)	

## SECTION 4 PLATFORM

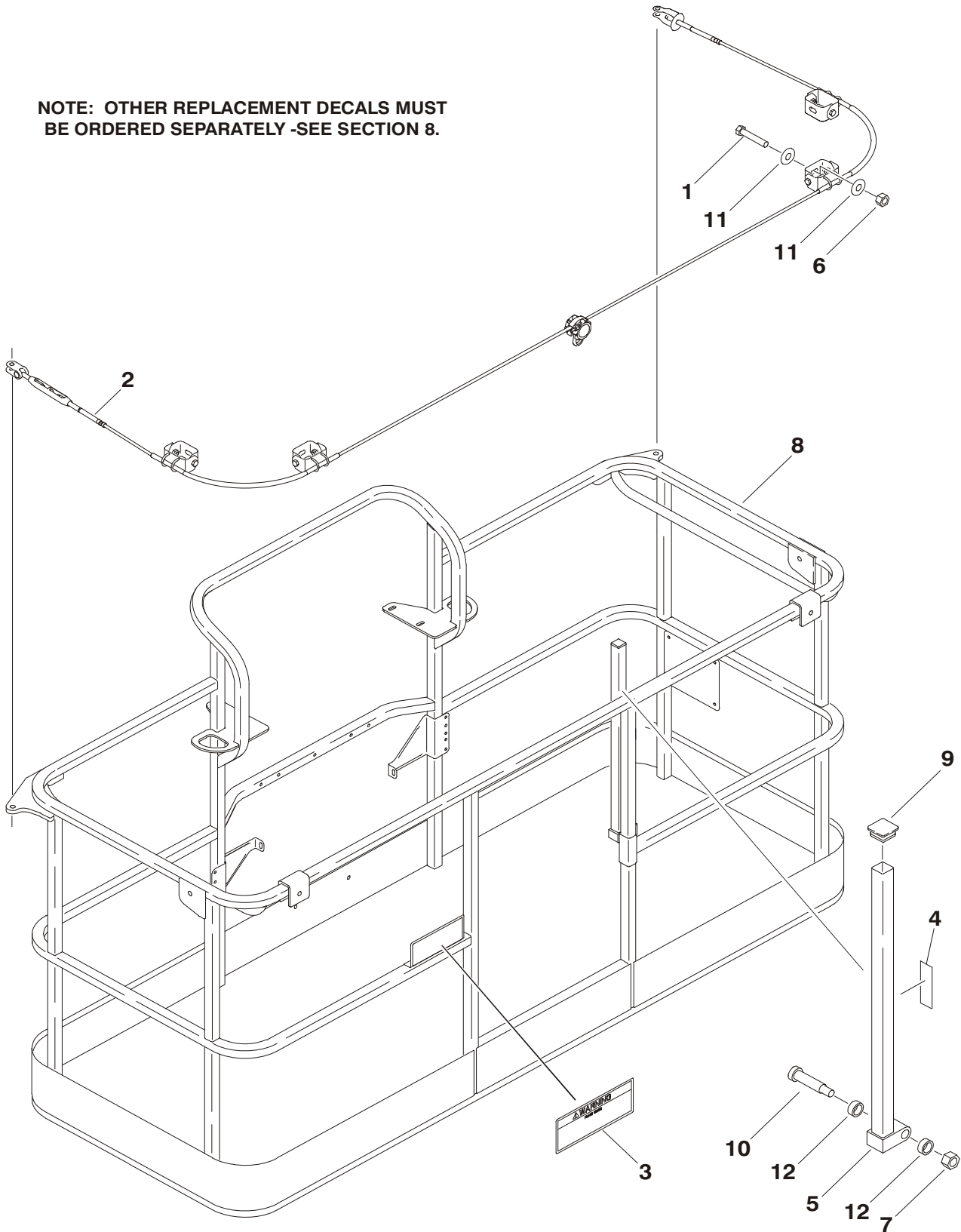
**FIGURE 4-1. PLATFORM INSTALLATION (CONTINUED)**

ITEM #	PART NUMBER	QTY.	DESCRIPTION	REV.
104E	4460226	2	Socket, Female (Not Shown)	
105	3311405	7	Locknut 1/4in-20NC	
106	3311605	4	Locknut 3/8in-16NC	
107	3380434	1	Panel, Decal Mount	
108	4740362	7	Washer, Fender 1/4in	
109	4751400	4	Flatwasher 1/4in Regular	
110	4751600	8	Flatwasher 3/8in Regular	
		Ref.	<b>WORKLIGHTS INSTALLATIONS (OPTIONAL)</b>	
	0273493	Ref.	<b>400S</b>	B
	0273494	Ref.	<b>460SJ</b>	C
201	3536089	2	Plate, Mounting	
202		4	Fastener Options:	
	0641414		Bolt 1/4in-20NC x 1-3/4in	
	2080040		Rivet 1/4in	
203	3311405	A/R	Locknut 1/4in-20NC	
204	4711400	A/R	Flatwasher 1/4in Thin	
205	2920140	2	Worklight	
	7016399	2	Bulb, Replacement (1 Per Worklight)	
206	4240099	10	Tie-Strap (Not Shown)	
207	2820035	9	Loom, Vinyl (Not Shown)	
208	Not Used			
209	4460598	1	Connector, Strain Relief (Not Shown - Located at Console Box)	
		Ref.	<b>TRAY INSTALLATIONS (OPTIONAL)</b>	
301	1580012	1	Tray, Storage (Center)	
302	1580013	1	Tray, Storage (Rail Mounted - Not Shown)	
		Ref.	<b>FLOODLIGHT INSTALLATION</b>	
	0274570	Ref.	<b>400S</b>	A
	0274584	Ref.	<b>460SJ</b>	A
401	0641518	2	Bolt 5/16in-18NC x 2-1/4in	
402	2560173	2	Handle	
403	2920157	2	Lamp, Work Light	
404	3250585	1	Nameplate - Light On	
405	4060802	1	Guard, Switch	
406	4360336	1	Switch, Toggle	
407	4751800	2	Flatwasher 1/2in Regular	
408	4846561	1	Mount, Light	
409		A/R	Harness 12/3 (Not Shown)	
	1060983	63ft/19.2m	400S	
	4922965	1	460SJ	
410	Not Used			
411	4420037	1	Tape, Insulation (Not Shown)	

# SECTION 4 PLATFORM

FIGURE 4-2. PLATFORM COMPONENTS INSTALLATION (FALL ARREST PLATFORM)

NOTE: OTHER REPLACEMENT DECALS MUST BE ORDERED SEPARATELY -SEE SECTION 8.



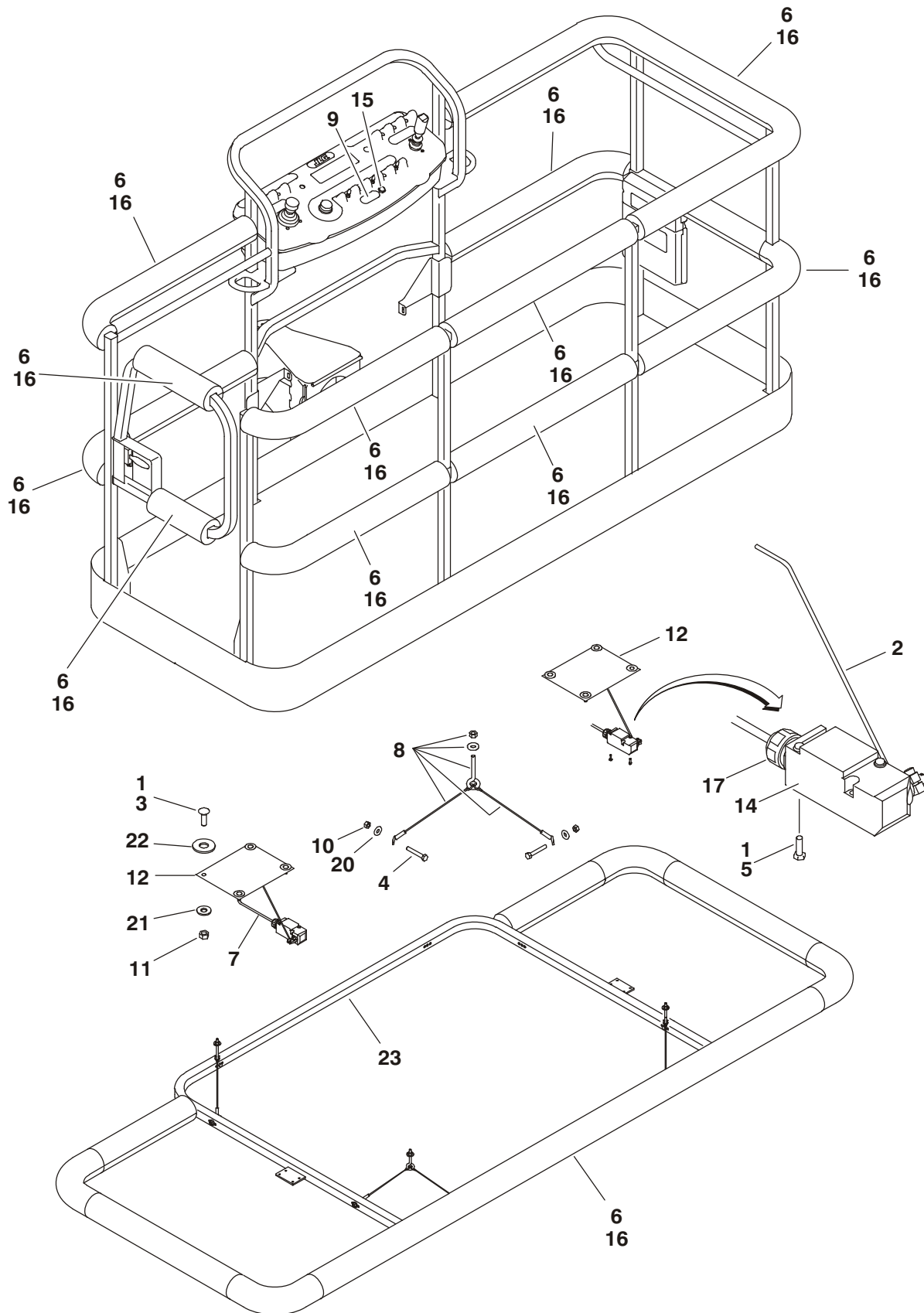
## SECTION 4 PLATFORM

**FIGURE 4-2. PLATFORM COMPONENTS INSTALLATION (FALL ARREST PLATFORM)**

ITEM #	PART NUMBER	QTY.	DESCRIPTION	REV.
		Ref.	<b>PLATFORM ASSEMBLY (FALL ARREST)</b>	
	3510884	Ref.	<b>3ft x 6ft (0.9m x 1.83m)</b>	E
		Ref.	<b>Note: Fall Arrest Not Available on CE Spec Platform Assembly.</b>	
1	0681822	4	Bolt 1/2in-13NC x 2-3/4in	
2	1060919	1	Cable, Fall Arrest	
3	1705014	1	Decal - Safety	
4	1706385	1	Decal - Drop Bar	
5	2410014	1	Gate Weldment	
6	3271805	4	Locknut 1/2in-13NC	
7	3311605	1	Locknut 3/8in-16NC	
8	See Note	1	Platform Weldment ( <b>Note: Purchase Platform Assembly</b> )	
9	3520072	1	Cap-Plug	
10	3900054	1	Bolt 1/2in-13NC x 1-3/4in	
11	4751800	A/R	Flatwasher 1/2in Regular	
12	0962270	2	Bearing, Oilite	

# SECTION 4 PLATFORM

## FIGURE 4-3. SOFT TOUCH INSTALLATION (OPTIONAL)



## SECTION 4 PLATFORM

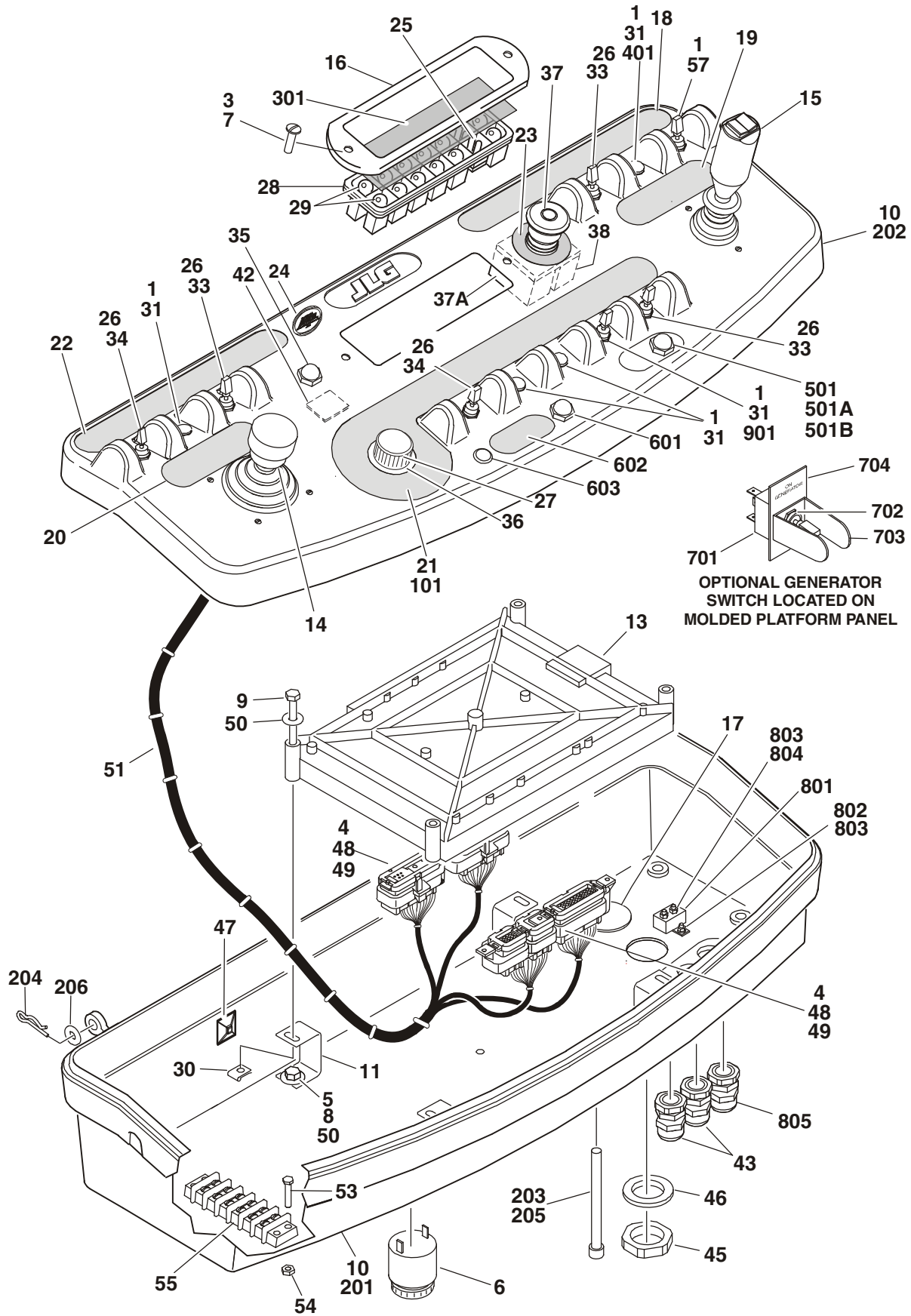
**FIGURE 4-3. SOFT TOUCH INSTALLATION (OPTIONAL)**

ITEM #	PART NUMBER	QTY.	DESCRIPTION	REV.
		Ref.	<b>SOFT TOUCH SYSTEM INSTALLATIONS OPTIONS:</b>	
	1001108256	Ref.	<b>6Ft/1.8m Platforms (ANSI, ANSI Export &amp; CSA Specs Only)</b>	A
	0272427	Ref.	<b>8Ft/2.4m Platforms (All Specs)</b>	E
		Ref.	<b>Note: For Soft Touch Add-On Kit, See Section 10.</b>	
1	0100011	A/R	Locking, Compound	
2	0200048	2	Arm, Switch Activator	
3	0630462	8	Bolt, Carriage	
4	0641414	8	Bolt 1/4in-20NC x 1-3/4in	
5	0721005	4	Screw, Machine #10-32 x 5/8in (was p/n 0731005)	
6		1	Bumper Kit Options:	
	0940177		6ft Platform	
	0940103		8ft Platform	
7	1060341		Cable, Electrical - 16/2 Options:	
		22ft/6.7m	6ft Platform	
		23ft/7m	8ft Platform	
8	1060903	4	Wire Rope & Eyebolt Assembly	
9	1702938	1	Decal - Soft Touch Override	
10	3311401	8	Nut 1/4in-20NC	
11	3311501	8	Nut 5/16in-18NC	
12		2	Plate, Striker Options:	
	3575359		6ft Platform	
	3574091		8ft Platform	
13	4240099	7	Tie-Strap (Not Shown)	
14	4360057	2	Switch, Limit	
15	4360387	1	Switch, Push Button	
16	4420068	1	Tape, Yellow Adhesive	
17	4460049	2	Connector, Strain Relief	
18	4460234	7	Base, Tie-Strap Mounting (Not Shown)	
19	4460425	1	Connector, Strain Relief (Not Shown - Located on Bottom of Platform)	
20	4751400	8	Flatwasher 1/4in Regular	
21	4751500	12	Flatwasher 5/16in Regular	
22	4751800	8	Flatwasher 1/2in Regular	
23		1	Rail, Soft-Touch Options:	
	3641569		6ft Platform	
	4846673		8ft Platform	
24 to 99	Not Used			
100		1	Soft-Touch Add-On Kit Options (Includes required components to add option to existing machines) (Not Shown):	
		Ref.	<b>Note: May not be available for all machines depending on existing options. Contact JLG Parts Dept before ordering.</b>	
	1001121592		3ft x 6ft (.9m x 1.83m) Platform	
	1001121593		3ft x 6ft (.9m x 2.44m) Platform	
	0272444	Ref.	<b>SOFT TOUCH COUNTERWEIGHT INSTALLATION (NOT SHOWN)</b>	C
	4821397	1	Counterweight (Located in Frame)	



# SECTION 4 PLATFORM

## FIGURE 4-4. PLATFORM CONSOLE ASSEMBLY



## SECTION 4 PLATFORM

**FIGURE 4-4. PLATFORM CONSOLE ASSEMBLY**

ITEM #	PART NUMBER	QTY.	DESCRIPTION	REV.
		Ref.	<b>PLATFORM CONSOLE ASSEMBLY</b>	
	0861571	Ref.	<b>Deutz/Caterpillar/Perkins/GM (S/N 0300096000 to S/N 0300140365)</b>	G
	Use 1001145877	Ref.	<b>Deutz (S/N 0300140365 to Present) (was p/n 1001108880)</b>	A/F
	1001108877	Ref.	<b>Caterpillar/GM (S/N 0300140365 to S/N 0300146032)</b>	C
	Use 1001145877	Ref.	<b>Caterpillar/GM (S/N 0300146032 to Present) (was p/n 1001108880)</b>	A/F
	1001108877	Ref.	<b>Perkins (S/N 0300140365 to Present)</b>	C
1	0100009	A/R	Sealant	
2	Not Used			
3	0100035	A/R	Locking, Compound	
4	0100048	A/R	Grease, Dielectric	
5	0100081	A/R	Loctite #454 (Not Shown)	
6	0140011	1	Alarm	
7	0630464	2	Screw, Button Head #10-24NC x 1/2in	
8	0641404	4	Bolt 1/4in-20NC x 1/2in	
9	0641414	4	Bolt 1/4in-20NC x 1-3/4in	
10	0861537	1	Box, Console (See Items 201-206 for Breakdown)	
11	0902751	4	Bracket, Support	
12	Not Used			
13		1	Controller, Module Options:	
	1600375		Perkins	
	1600375		Caterpillar/GM (S/N 0300096000 to S/N 0300146032) Deutz (S/N 0300096000 to S/N 0300140365)	
	1001106355		Caterpillar/GM (S/N 0300146032 to Present) Deutz (S/N 0300140365 to Present)	
14	Use 1001129555	1	Controller Assembly (Lift & Swing) (See Figure 4-5 for Breakdown) (was p/n 1600317 & 1001118417)	
15		1	Controller Assembly (Drive & Steer) Options (See Figure 4-6 for Breakdown):	
	Use 1001118416		Controller Assembly (S/N 0300096000 to S/N 0300146173) (was p/n 1600318)	
	1001118416		Controller Assembly (S/N 0300146173 to Present)	
16	1670829	1	Bezel	
17		1	Cover Options:	
	Use 1001110434	1	S/N 0300096000 to S/N 0300140365 (was p/n1671037)	
	1001110434	1	S/N 0300140365 to Present	
18		1	Decal (Stop) Options:	
	1704997		Caterpillar/Deutz/Perkins/GM (S/N 0300096000 to S/N 0300137201)	
	1001107527		Caterpillar/Deutz/Perkins/GM (S/N 0300137201 to S/N 0300140365)	
	Use 1001131168		Caterpillar/Deutz/Perkins/GM (S/N 0300140365 to Present) (was p/n 1001107677)	
19	1702565	1	Decal (Drive and Steer)	
20	1702566	1	Decal (Lift and Swing)	
21	1702567	1	Decal (Function Speed)	
22	1702676	1	Decal (Horn)	
23	1704260	1	Decal - EMS	

## SECTION 4 PLATFORM

**FIGURE 4-4. PLATFORM CONSOLE ASSEMBLY (CONTINUED)**

ITEM #	PART NUMBER	QTY.	DESCRIPTION	REV.
24	1705132	1	Decal - ADE	
25	2420197	1	Gauge, Fuel	
26	3790012	A/R	O-Ring	
27	2560136	1	Handle, Knob	
28	2760109	1	Housing, Display Light	
29	2920129	10	Bulb, Light	
30	3300353	4	Nut, Tinnerman	
31	3520054	A/R	Plug, Hole	
32	Not Used			
33	4360328	4	Switch, Toggle	
34	4360331	1	Switch, Toggle	
35	4360387	1	Switch, Pushbutton	
36	4360407	1	Controller, Speed	
	See Note	1	Gasket, "Top Hat" (Included with Switch) <b>(Note: Not Available - Purchase Complete Controller)</b>	
	70003784		Seal	
37	4360475	1	Switch, Emergency Stop	
	7020175	1	Cap, Red	
37A	7020176	1	Contact Block	
38	4360476	1	Block, Contact	
38 to 41	Not Used			
42	4460234	3	Mount, Tie-Strap	
43	4460428	2	Connector, Strain Relief	
44	Not Used			
45	4460470	1	Nut, Terminal	
46	4460471	1	Lockwasher, Terminal	
47	4460488	1	Base, Mounting	
48	4460708	2	Receptacle - 15 Position	
49	4460905	5	Seal, Plug	
50	4751400	8	Flatwasher 1/4in Regular	
51		1	Harness, Platform Box Options (See Section 7 for Breakdown):	
	4922665		S/N 0300096000 to S/N 0300137201	
	1001107440		S/N 0300137201 to Present	
52	4922666	1	Harness, Analyzer Cable (Not Shown - See Section 7 for Breakdown)	
53	0721008	1	Screw #10-24NC x 1in	
54	3311001	1	Nut #10-24	
55	4460007	1	Strip, Terminal	
56	Not Used			
57	4360330	1	Switch, Toggle (S/N 0300137201 to Present)	
			-----	
101	2910865	1	Replacement Decal Kit (Includes Items 18 - 24 & 301):	
	0861537	Ref.	<b>CONSOLE BOX COMPONENTS</b>	E
201	Use 0861537	1	Console Bottom <b>(Note: Not Available - Purchase Complete Console Box)</b>	
202	Use 0861537	1	Console Top <b>(Note: Not Available - Purchase Complete Console Box)</b>	
203	3311601	1	Nut 3/8in-16NC	

## SECTION 4 PLATFORM

**FIGURE 4-4. PLATFORM CONSOLE ASSEMBLY (CONTINUED)**

ITEM #	PART NUMBER	QTY.	DESCRIPTION	REV.
204	3470003	2	Hairpin	
205	0630568	1	Screw 3/8in-16NC x 4-1/2in	
206	4711500	2	Flatwasher 5/16in Thin	
		Ref.	<b>LIGHT PANEL DECAL INSTALLATIONS</b>	
		Ref.	<b>S/N 0300096000 to S/N 0300140365</b>	
	0259962	Ref.	<b>400S with 500LB Capacity (ANSI Spec)</b>	2
	0259965	Ref.	<b>400S with 750LB Capacity (ANSI Spec)</b>	2
	0259964	Ref.	<b>400S with 230KG Capacity (ANSI Export, Australian, CSA &amp; Japanese Specs)</b>	2
	0259968	Ref.	<b>400S with 340KG Capacity (ANSI Export, Australian, CSA &amp; Japanese Specs)</b>	2
	0259963	Ref.	<b>400S (No Dual Capacity) (Australian &amp; CE Specs)</b>	2
	0259963	Ref.	<b>460SJ (No Dual Capacity) (All Specs)</b>	2
		Ref.	<b>S/N 0300140365 to Present</b>	
	1001108995	Ref.	<b>400S with 500LB Capacity (ANSI Spec)</b>	A
	1001108996	Ref.	<b>400S with 750LB Capacity (ANSI Spec)</b>	A
	1001108995	Ref.	<b>400S with 230KG Capacity (ANSI Export, Australian, CSA &amp; Japanese Specs)</b>	A
	1001108996	Ref.	<b>400S with 340KG Capacity (ANSI Export, Australian, CSA &amp; Japanese Specs)</b>	A
	1001108997	Ref.	<b>400S (No Dual Capacity) (Australian &amp; CE Specs)</b>	A
	1001108997	Ref.	<b>460SJ (No Dual Capacity) (All Specs)</b>	A
301		1	Decal Options: S/N 0300096000 to S/N 0300140365	
	1704484		400S with 500LB Capacity (ANSI Spec)	
	1704487		400S with 750LB Capacity (ANSI Spec)	
	1704486		400S with 230KG Capacity (ANSI Export, Australian, CSA & Japanese Specs)	
	1704514		400S with 340KG Capacity (ANSI Export, Australian, CSA & Japanese Specs)	
	1704485		400S (No Dual Capacity) (CE Specs)	
	1704485		460SJ (No Dual Capacity) (All Specs)	
			S/N 0300140365 to Present	
	1001107849		400S with 500LB Capacity (ANSI Spec)	
	1001107850		400S with 750LB Capacity (ANSI Spec)	
	1001107849		400S with 230KG Capacity (ANSI Export, Australian, CSA & Japanese Specs)	
	1001107850		400S with 340KG Capacity (ANSI Export, Australian, CSA & Japanese Specs)	
	1001107851		400S (No Dual Capacity) (CE Specs)	
	1001107851		460SJ (No Dual Capacity) (All Specs)	
	0271246	Ref.	<b>DUAL FUEL SWITCH INSTALLATION</b>	3/C
401	4360336	1	Switch, Toggle	
	3790012	1	O-Ring	

## SECTION 4 PLATFORM

**FIGURE 4-4. PLATFORM CONSOLE ASSEMBLY (CONTINUED)**

ITEM #	PART NUMBER	QTY.	DESCRIPTION	REV.
		Ref.	<b>LIGHTS INSTALLATION (OPTIONAL)</b>	
	0272018	Ref.	<b>Headlights &amp; Taillights</b>	C
	0274574	Ref.	<b>Chassis Illumination Lights</b>	C
501	4360522	1	Switch, Push Button	
501A	3790012	1	O-Ring	
501B	1705170	1	Decal - Lights	
		Ref.	<b>SOFT TOUCH SYSTEM INSTALLATION (OPTIONAL)</b>	
601	4360387	1	Switch, Pushbutton	
602	1702938	1	Decal - Soft Touch Override	
603	2920028	1	Light, Indicator	
	2920029	1	Bulb	
		Ref.	<b>GENERATOR INSTALLATION (OPTIONAL)</b>	
701	4360336	1	Switch, Toggle	
702	4740397	1	Bushing	
703	4060802	1	Guard, Switch	
704	3251102	1	Decal - Generator ON/OFF	
	0270814	Ref.	<b>PLATFORM WORKLIGHT INSTALLATION (OPTIONAL)</b>	3
801	4360232	1	Breaker, Circuit - 15Amp	
802	0721003	2	Bolt #10-24NC x 3/8in	
803	4761000	4	Lockwasher #10	
804	3311001	2	Nut #10-24NC	
805	4460598	1	Connector, Strain Relief	
	0271340	Ref.	<b>JIB SWITCH INSTALLATION (460SJ ONLY)</b>	1/A
901	4360328	1	Switch, Toggle	
	3790012	1	O-Ring	

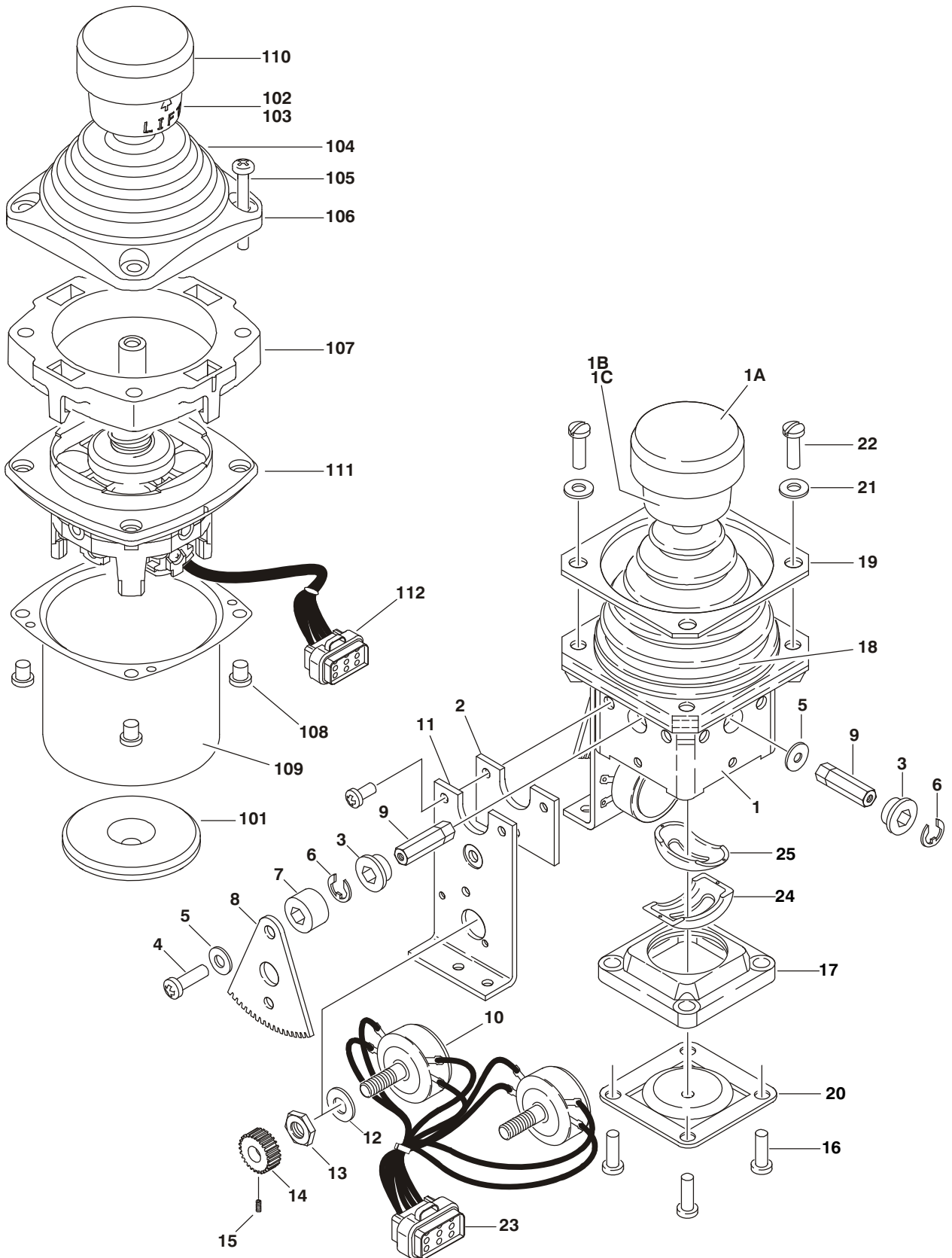
**SECTION 4 PLATFORM**

**FIGURE 4-4. PLATFORM CONSOLE ASSEMBLY (CONTINUED)**

ITEM #	PART NUMBER	QTY.	DESCRIPTION	REV.

# SECTION 4 PLATFORM

## FIGURE 4-5. CONTROLLER ASSEMBLY (SWING AND LIFT)



## SECTION 4 PLATFORM

**FIGURE 4-5. CONTROLLER ASSEMBLY (SWING AND LIFT)**

ITEM #	PART NUMBER	QTY.	DESCRIPTION	REV.
		Ref.	<b>Note: Original Equipment controller may have been replaced with Service Replacement controller. Visually identify controller before ordering parts.</b>	
		Ref.	<b>CONTROLLER ASSEMBLY</b>	
	1600317	Ref.	<b>Controller Assembly (OEM) (Original Equipment) (S/N 0300096000 to S/N 0300146173)</b>	C
1	7019141	1	Mechanical Assembly (Includes Base, Handle Stem & Items 1A, 1B, 1C & 18)	
1A	7019197	1	Handle Cap & Rod	
1B	7003928	1	Spring	
1C	7022808	1	Cap, Lift	
2	7019171	2	Plate	
3	7019111	4	Bearing, Gear	
4	7019143	2	Screw	
5	7019144	2	Spacer, Cam	
6	7019145	4	E-Clip	
7	7019174	2	Spacer	
8	7003977	2	Gear, Drive	
9		2	Shaft Options:	
	7019147		Shaft, Short	
	7019177		Shaft, Long	
10	7022818	2	Potentiometer	
11	7019142	2	Plate	
12	7003992	2	Washer	
13	7003993	2	Nut	
14	7003976	2	Gear, Slave	
15	7019149	2	Setscrew	
16	7022816	4	Screw	
17	7019150	1	Gate	
18	7022814	1	Boot	
19	7022815	1	Bezel	
20	See Note	1	Center, Detent ( <b>Note: Not Available for Purchase</b> )	
21	7003953	4	Washer	
22	7022817	4	Screw	
23	7022819	1	Plug, Male 8 Position (Natural)	
	4460871	8	Socket, Female	
24	7019122	1	Gimble, Outer	
25	7019123	1	Gimble, Inner	
	Use 1001129555	Ref.	<b>Controller Assembly:</b> <b>(Service Replacement - S/N 0300096000 to S/N 0300146173)</b> <b>(Original Equipment - S/N 0300146173 to Present)</b>	C
		Ref.	<b>Note: Was p/n 1001118417 Assembly - Use p/n 1001129555 Kit as replacement.</b>	
101	70002730	1	Gasket	
102	7003928	1	Spring	
103	7022808	1	Cap, Lift	
104	70002731	1	Boot	



## SECTION 4 PLATFORM

**FIGURE 4-5. CONTROLLER ASSEMBLY (SWING AND LIFT) (CONTINUED)**

ITEM #	PART NUMBER	QTY.	DESCRIPTION	REV.
105	70002732	4	Screw	
106	7022815	1	Bezel	
107	70002733	1	Adapter	
108	70002734	4	Screw	
109	70002735	1	Can, Enclosure	
110	70002906	1	Cap	
111	Use 1001129555	1	Mechanical Assembly ( <b>Note: Not Available for Purchase</b> )	
112	7022819	1	Plug, Male 8 Position (Natural) (Not Shown)	
	4460871	6	Socket, Female	

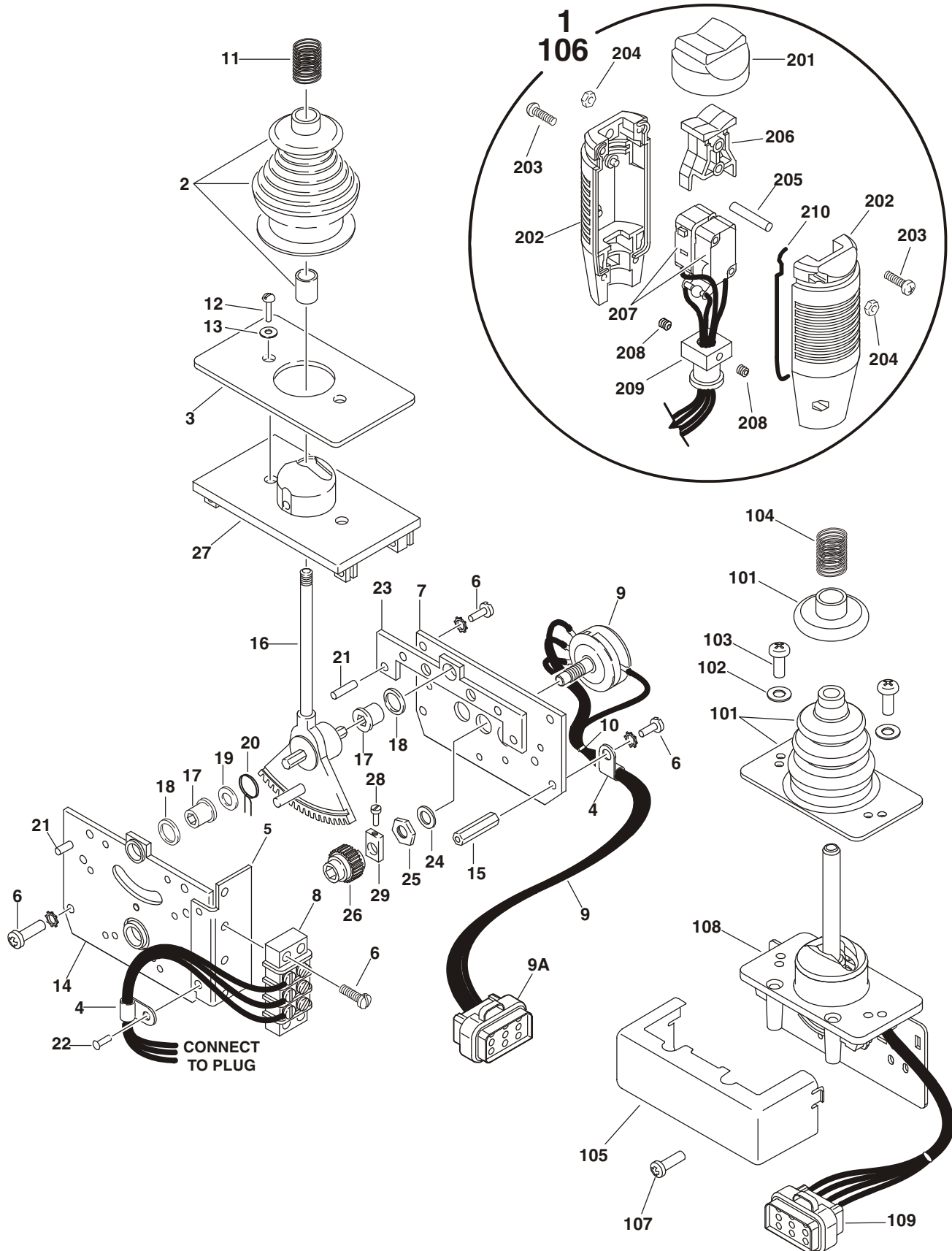
# SECTION 4 PLATFORM

## FIGURE 4-5. CONTROLLER ASSEMBLY (SWING AND LIFT) (CONTINUED)

ITEM #	PART NUMBER	QTY.	DESCRIPTION	REV.

# SECTION 4 PLATFORM

FIGURE 4-6. CONTROLLER ASSEMBLY (DRIVE AND STEER)



## SECTION 4 PLATFORM

**FIGURE 4-6. CONTROLLER ASSEMBLY (DRIVE AND STEER)**

ITEM #	PART NUMBER	QTY.	DESCRIPTION	REV.
		Ref.	<b>Note: Original Equipment controller may have been replaced with Service Replacement controller. Visually identify controller before ordering parts.</b>	
		Ref.	<b>CONTROLLER ASSEMBLY</b>	
	1600318	Ref.	<b>Controller Assembly (Original Equipment) (S/N 0300069000 to S/N 0300146173)</b>	D
1	7022812	1	Handle Assembly (See Items 201-210 for Breakdown)	
2	7019161	1	Boot and Sleeve	
3	7003933	1	Gasket	
4	7019154	2	Clamp, Wire	
5	7022823	1	Bracket, Mounting	
6	7003994	1	Screw	
7	7022822	1	Plate, Pot Mounting	
8	7003986	1	Strip, Terminal - 3 Position	
9	7022824	1	Electric Assembly	
9A	Use 1001113961	1	Plug, Male - 8 Position (Black) (was p/n 7022825)	
	4460871	7	Socket, Female	
10	7019151	A/R	Tie-Strap	
11	7019162	1	Spring	
12	7003969	2	Screw	
13	7003941	2	Washer	
14	See Note	1	Plate, Mounting (Left Side) <b>(Note: Not Available for Purchase)</b>	
15	7019115	2	Stand-Off	
16	7019155	1	Shaft 8mm	
17	7019111	2	Bearing	
18	7019110	2	Spacer, Head Gear	
19	7019112	1	Washer	
20	7003946	1	Spring, Return	
21	7019103	4	Pin	
22	See Note	1	Rivet <b>(Note: Not Available for Purchase)</b>	
23	7019168	1	Plate, Mounting (Right Side)	
24	7003992	1	Washer	
25	7003993	1	Nut	
26	7003935	1	Gear, Slave	
27	7019160	1	Plate, Base	
28	See Note	1	Screw 3x6 DIN 916 <b>(Note: Not Available for Purchase)</b>	
29	7019114	1	Coupling, Potentiometer	
	1001118416	Ref.	<b>Controller Assembly: (Service Replacement - S/N 0300069000 to S/N 0300146173) (Original Equipment - S/N 0300146173 to Present)</b>	B
101	70002724	1	Boot & Control Lock Assembly	
102	7003941	2	Washer	
103	70002725	2	Screw	
104	7019162	1	Spring	
105	70002726	1	Enclosure	
106	70002727	1	Handle Assembly (See Items 201-210 for Breakdown)	
107	70002728	1	Screw	

## SECTION 4 PLATFORM

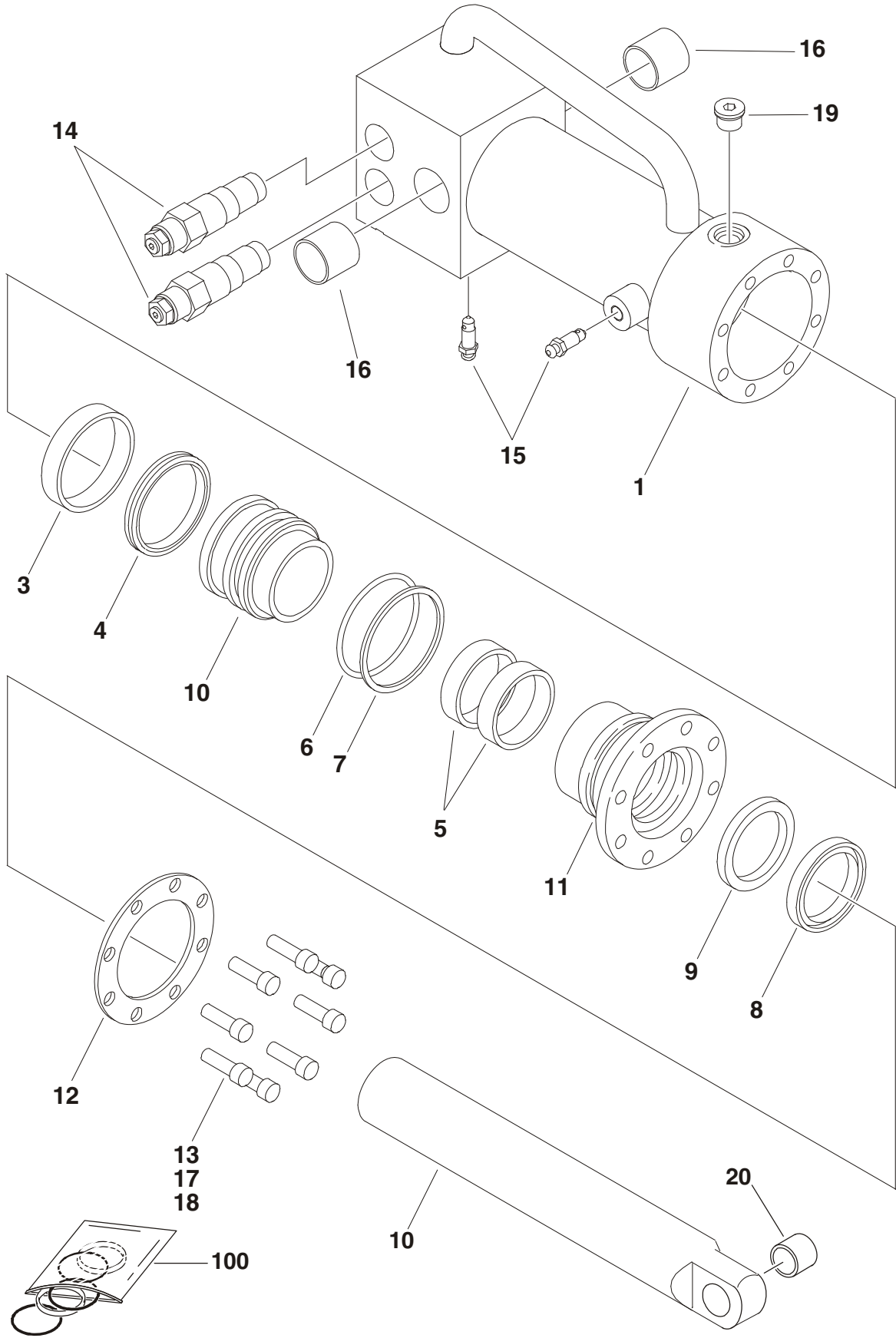
**FIGURE 4-6. CONTROLLER ASSEMBLY (DRIVE AND STEER) (CONTINUED)**

ITEM #	PART NUMBER	QTY.	DESCRIPTION	REV.
108	Use 1001118416	1	Mechanical Assembly ( <b>Note: Not Available for Purchase</b> )	
109	7022825	1	Plug, Male - 8 Position (Black)	
	4460871	7	Socket, Female	
		Ref.	<b>HANDLE ASSEMBLIES</b>	
	7022812	Ref.	<b>Controller Assembly p/n 1600318</b>	
	70002727	Ref.	<b>Controller Assembly p/n 1001118416</b>	
201	7003972	1	Boot, Switch	
202	7003973	2	Half, Handle	
203	7003980	4	Screw	
204	7019167	4	Nut	
205	7019164	1	Axle	
206	7019165	1	Rocker	
207		1	Wiring Assembly Options:	
	7019196		Controller Assembly p/n 1600318	
	7019166	2	Switch, Micro	
	70002729		Controller Assembly p/n 1001118416	
	7003982	2	Switch, Micro	
208	7003983	2	Setscrew	
209	7019194	1	Coupling	
210	7003989	2	Gasket	

# **SECTION 5 CYLINDER**

# SECTION 5 CYLINDER

FIGURE 5-1. AXLE LOCKOUT CYLINDER ASSEMBLY (S/N 0300096000 TO S/N 0300115396)



## SECTION 5 CYLINDER

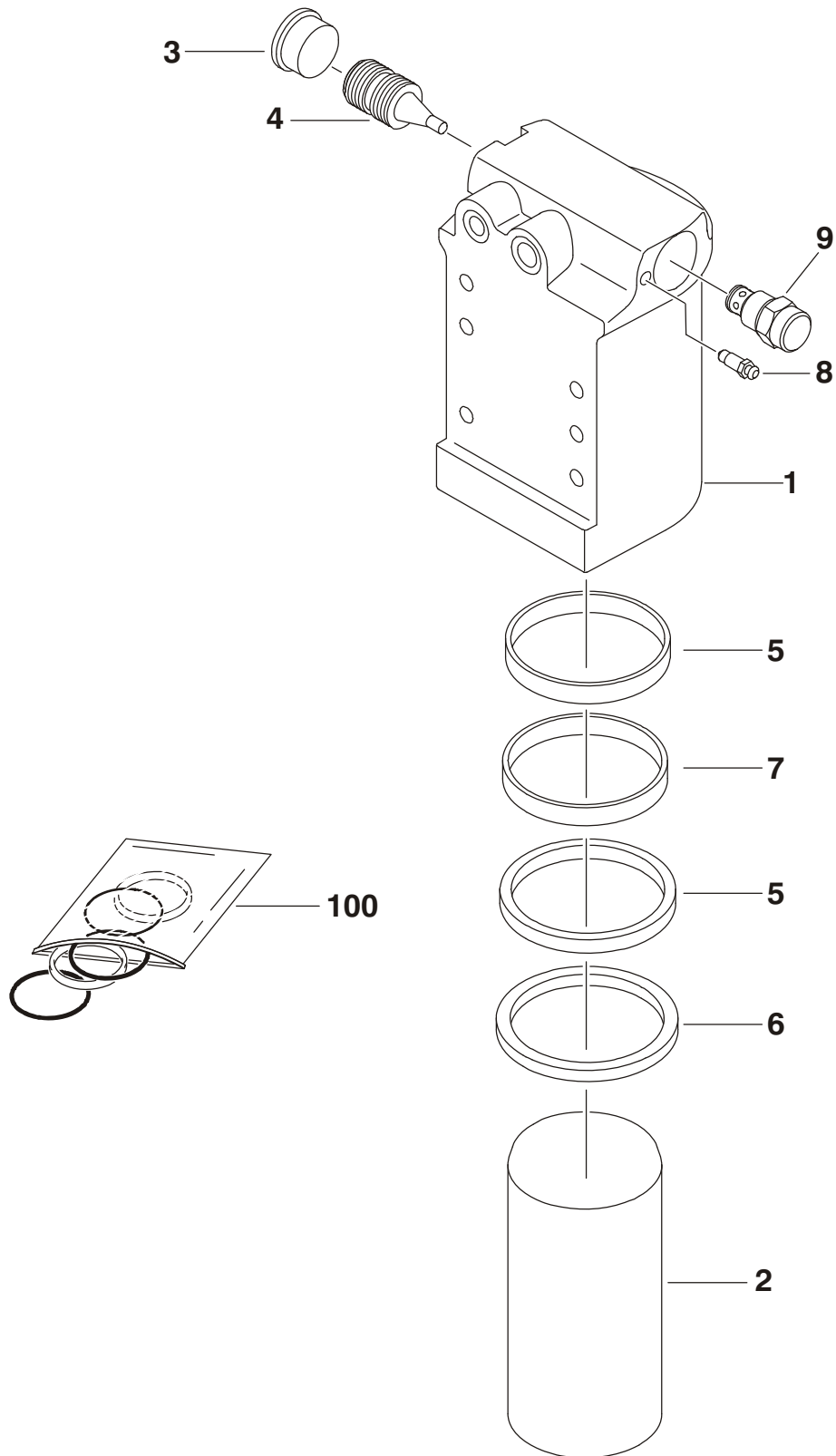
**FIGURE 5-1. AXLE LOCKOUT CYLINDER ASSEMBLY (S/N 0300096000 TO S/N 0300115396)**

ITEM #	PART NUMBER	QTY.	DESCRIPTION	REV.
	1684139	Ref.	<b>AXLE LOCKOUT CYLINDER ASSEMBLY</b>	D
1	1683572	1	Barrel Weldment	
2	Not Used			
3	Use 2901548	1	Ring, Wear	
4	Use 2901548	1	T-Seal	
5	Use 2901548	2	Ring, Wear	
6	Use 2901548	1	O-Ring	
7	Use 2901548	1	Ring, Back-up	
8	Use 2901548	1	Wiper	
9	Use 2901548	1	Seal	
10	1684138	1	Rod Weldment	
11	1683076	1	Cap	
12	3760367	1	Ring, Washer	
13	3931516	8	Bolt, Socket Head 5/16in-18NC x 2in	
14	4641162	2	Cartridge, Valve (Counterbalance)	
	2900770	2	Seal Kit - 4641162 Valve (1 Per Assembly)	
15	4640858	2	Valve, Bleeder	
16	0962474	2	Bushing	
17	0100011	A/R	Locking, Compound	
18	0100038	A/R	Primer, Locking	
19	2220885	1	Plug, O-Ring	
20	0962140	1	Bushing	
			-----	
100	2901548	1	Seal Kit (Includes Items 3-9)	



# SECTION 5 CYLINDER

FIGURE 5-2. AXLE LOCKOUT CYLINDER ASSEMBLY (S/N 0300115396 TO PRESENT)



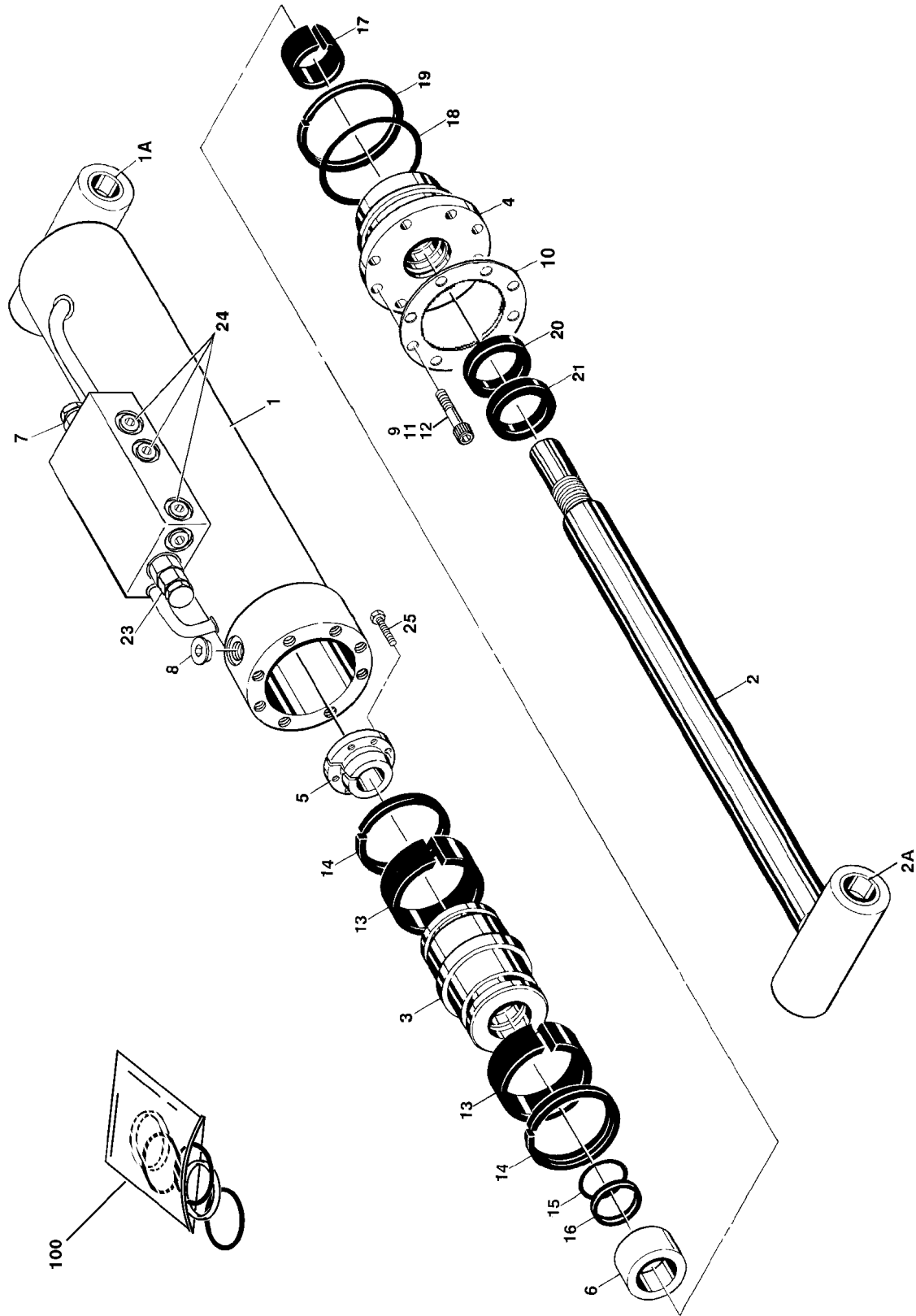
## SECTION 5 CYLINDER

**FIGURE 5-2. AXLE LOCKOUT CYLINDER ASSEMBLY (S/N 0300115396 TO PRESENT)**

ITEM #	PART NUMBER	QTY.	DESCRIPTION	REV.
	1684465	Ref.	<b>AXLE LOCKOUT CYLINDER ASSEMBLY</b>	F
1	0370026	1	Barrel	
2	1684290	1	Rod	
3	2220890	1	Plug	
4	3480288	1	Piston, Pilot	
5	Use 2902266	2	Ring, Wear	
6	Use 2902266	1	Wiper	
7	Use 2902266	1	Seal, Rod	
8	4640858	1	Bleeder	
9	4641390	1	Cartridge, Valve	
	7017496	1	Seal Kit - 4641390 Cartridge	
			-----	
100	2902266	1	Seal Kit (Includes Items 5-7)	

# SECTION 5 CYLINDER

FIGURE 5-3. LEVEL (PLATFORM SLAVE) CYLINDER ASSEMBLY



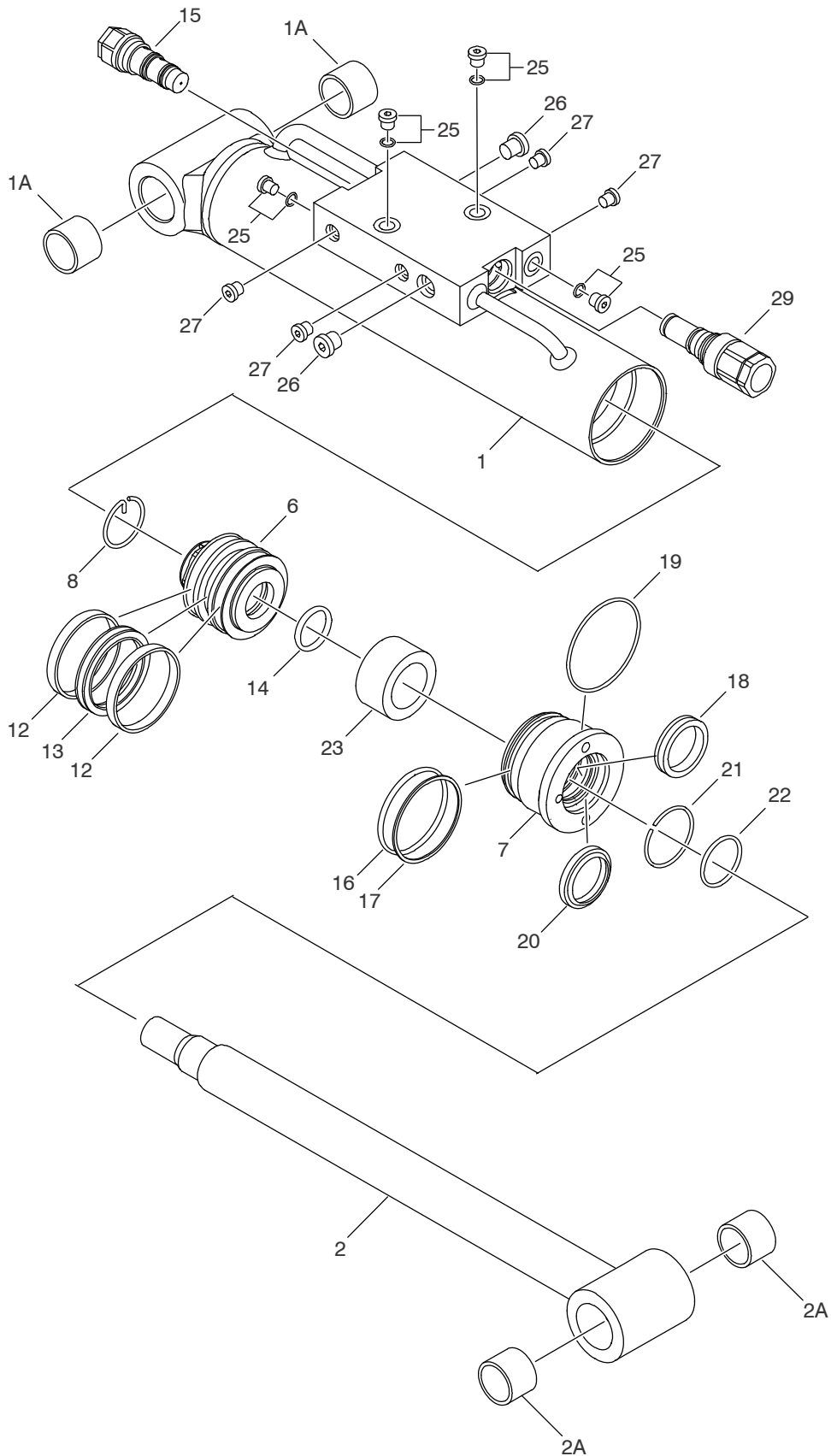
## SECTION 5 CYLINDER

**FIGURE 5-3. LEVEL (PLATFORM SLAVE) CYLINDER ASSEMBLY**

ITEM #	PART NUMBER	QTY.	DESCRIPTION	REV.
		Ref.	<b>Note: Original Equipment Cylinder may have been replaced with Service Replacement Cylinder. Identify p/n stamped on cylinder before ordering parts.</b>	
		Ref.	<b>PLATFORM LEVEL CYLINDER ASSEMBLIES</b>	
	1683778	Ref.	<b>400S (Original Equipment for S/N 0300096000 to S/N 0300165145)</b>	D
	1684013	Ref.	<b>460SJ Original Equipment for S/N 0300096000 to Present)</b>	C
1	1683952	1	Barrel Weldment ( <b>Note: Does not Include Item 1A - Purchase Separately</b> )	
1A	0961951	2	Bushing	
2		1	Rod Weldment Options ( <b>Note: Does not Include Item 2A - Purchase Separately</b> ):	
	1683861		400S	
	1684012		460SJ	
2A	0961951	2	Bushing	
3	3480188	1	Piston	
4	1683055	1	Head	
5	0961894	1	Bushing, Tapered	
6	4566468	1	Spacer	
7	4640509	1	Cartridge, Valve	
	2900792	1	Seal Kit - 4640509 Valve	
8	2220885	1	Plug, O-Ring	
9	3931620	8	Capscrew, Socket Head 3/8in-16NC x 1-1/4in	
10	3760369	1	Ring, Washer	
11	0100011	A/R	Locking, Compound	
12	0100038	A/R	Primer, Locking	
13	Use 2901301	2	Seal	
14	Use 2901301	2	Ring, Lock	
15	Use 2901301	1	O-Ring	
16	Use 2901301	1	Ring, Back-up	
17	Use 2901301	1	Ring, Wear	
18	Use 2901301	1	O-Ring	
19	Use 2901301	1	Ring, Back-up	
20	Use 2901301	1	Seal, Rod	
21	Use 2901301	1	Wiper	
22	Not Used			
23	4640932	1	Cartridge, Valve	
	7011112	1	Seal Kit - 4640932 Valve	
24	2220883	8	Plug, O-Ring	
25	0630535	3	Screw, Socket Head 1/4in-20NC x 1-1/8in	
100	2901301	1	----- Seal Kit (Includes Items 13-21)	

# SECTION 5 CYLINDER

## FIGURE 5-4. LEVEL (PLATFORM SLAVE) CYLINDER ASSEMBLY



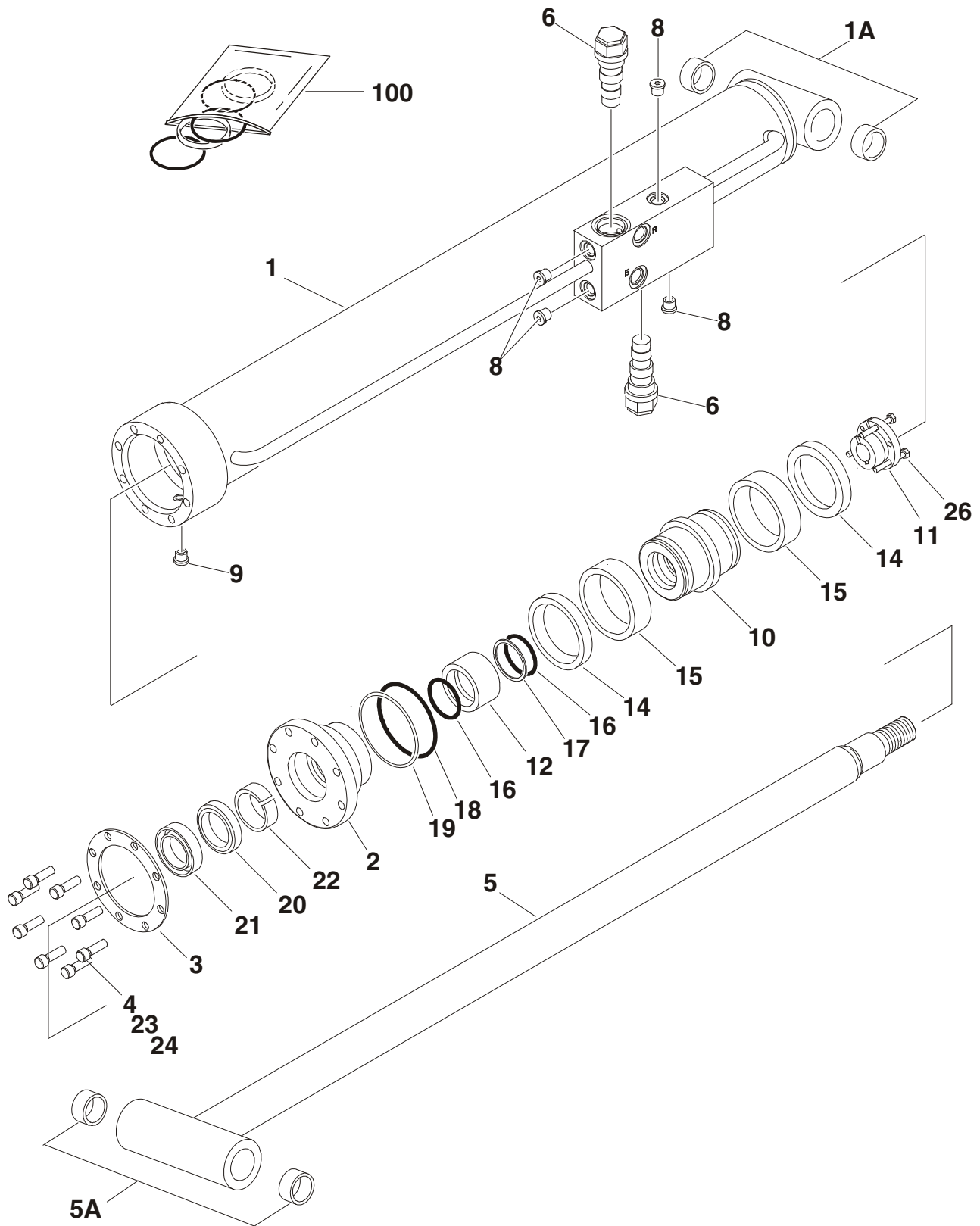
## SECTION 5 CYLINDER

**FIGURE 5-4. LEVEL (PLATFORM SLAVE) CYLINDER ASSEMBLY**

ITEM #	PART NUMBER	QTY.	DESCRIPTION	REV.
		Ref.	<b>Note: Original Equipment Cylinder may have been replaced with Service Replacement Cylinder. Identify p/n stamped on cylinder before ordering parts.</b>	
	1001140586	Ref. Ref.	<b>PLATFORM LEVEL CYLINDER ASSEMBLY 400S (Service Replacement for Machines Prior to S/N 0300165145 &amp; Original Equipment for Machines S/N 0300165145 to Present)</b>	B
1	70004137	1	Barrel	
1A	0961951	2	Bushing	
2	70004138	1	Rod	
2A	0961951	2	Bushing	
3 to 5	Not Used			
6	70003848	1	Head	
7	70004136	1	Piston	
8	70002224	1	Retainer	
9 to 11	Not Used			
12	Use 70004128	2	Ring, Wear	
13	Use 70004128	1	Seal	
14	Use 70004128	1	O-Ring	
15	4640509	1	Cartridge, Counterbalance Valve	
	2900792	1	Seal Kit - 4640509 Valve	
16	Use 70004128	1	O-Ring	
17	Use 70004128	1	Ring, Backup	
18	Use 70004128	1	Seal	
19	Use 70004128	1	O-Ring	
20	Use 70004128	1	Wiper	
21	70003838	1	Ring, Retaining	
22	70003856	1	O-Ring	
23	70003839	1	Spacer	
24	Not Used			
25	See Note	2	<b>Plug (Note: Not Available for Purchase)</b>	
26	See Note	2	<b>Plug (Note: Not Available for Purchase)</b>	
27	See Note	4	<b>Plug (Note: Not Available for Purchase)</b>	
28	Not Used			
29	4640932	1	Cartridge, Counterbalance Valve	
	7011112	1	Seal Kit - 4640932 Valve	
30 to 49	Not Used			
50	70004128	1	Seal Kit - 1001140596 Cylinder (Includes Items 12-14 & 16-20)	
			<b>Note: Information Not Available at Time of Printing)</b>	

# SECTION 5 CYLINDER

FIGURE 5-5. LIFT CYLINDER ASSEMBLY - JIB (460SJ)



## SECTION 5 CYLINDER

**FIGURE 5-5. LIFT CYLINDER ASSEMBLY - JIB (460SJ)**

ITEM #	PART NUMBER	QTY.	DESCRIPTION	REV.
	1683609	Ref.	<b>JIB LIFT CYLINDER ASSEMBLY</b>	G
1	1683687	1	Barrel Weldment	
1A	0962336	2	Bushing	
2	1683053	1	Head	
3	3760368	1	Washer, Ring	
4	3931516	8	Bolt, Socket Head 5/16in-18NC x 2in	
5	1683261	1	Rod Weldment	
5A	0962336	2	Bushing	
6	4640509	2	Cartridge, Valve (Counterbalance Non-Vented)	
	2900792	2	Seal Kit - 4640509 Valve	
7	Not Used			
8	2220883	4	Plug, O-Ring	
9	2220885	1	Plug, O-Ring	
10	3480210	1	Piston	
11	0961893	1	Bushing, Tapered	
12	4100100	1	Spacer, Tube	
13	Not Used			
14	Use 2901303	2	Ring, Lock	
15	Use 2901303	2	Seal, Piston	
16	Use 2901303	2	O-Ring	
17	Use 2901303	2	Ring, Back-up	
18	Use 2901303	1	O-Ring	
19	Use 2901303	1	Ring, Back-up	
20	Use 2901303	1	Seal	
21	Use 2901303	1	Wiper	
22	Use 2901303	1	Ring, Wear	
23	0100011	A/R	Locking, Compound	
24	0100038	A/R	Primer, Locking	
25	Not Used			
26	0630534	3	Capscrew, Socket Head #10-24NC x 1in	
100	2901303	1	----- Seal Kit (Includes Items 14-22)	





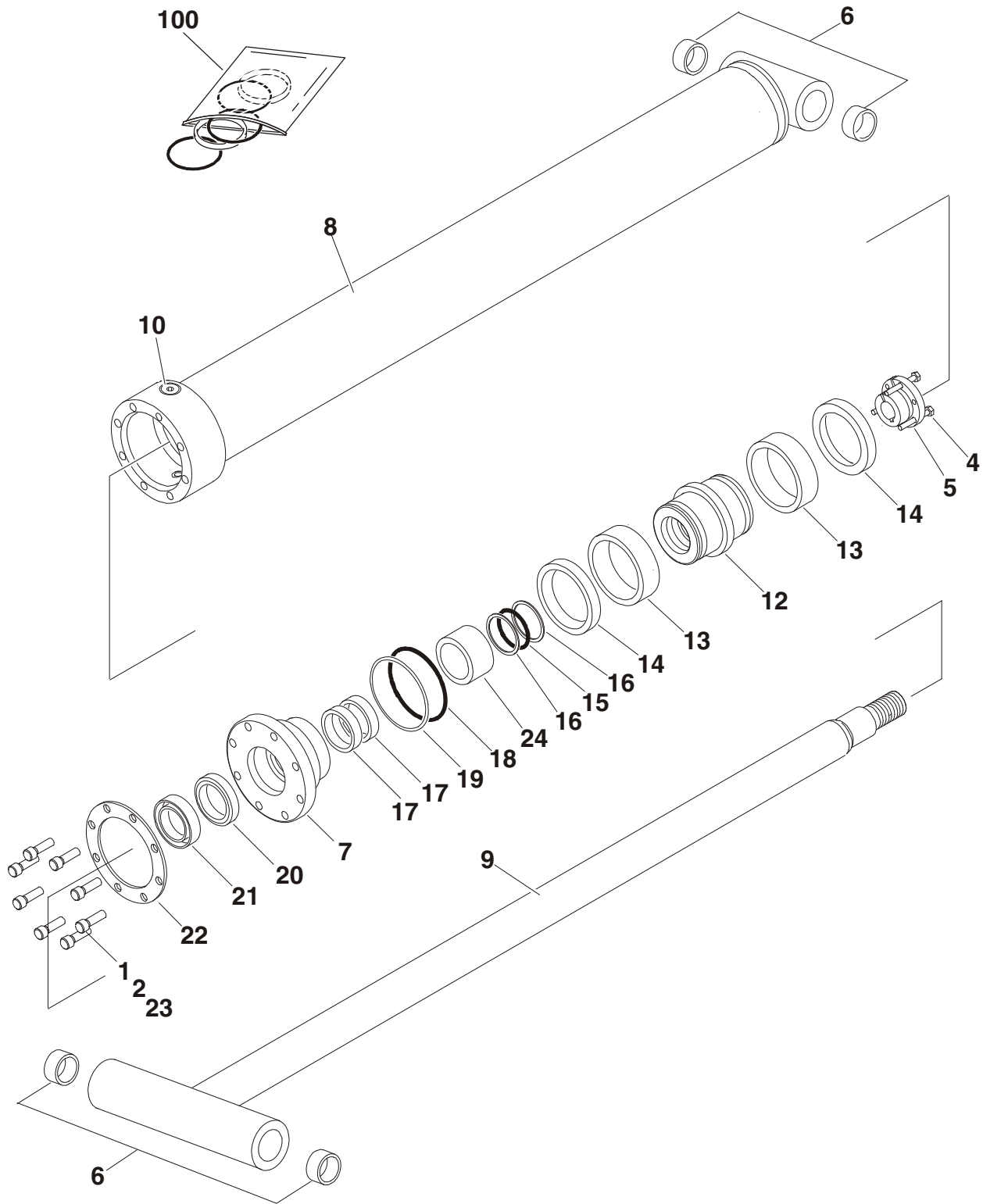
## SECTION 5 CYLINDER

**FIGURE 5-6. LIFT CYLINDER ASSEMBLY - MAIN**

ITEM #	PART NUMBER	QTY.	DESCRIPTION	REV.
	1683776	Ref.	<b>LIFT CYLINDER ASSEMBLY</b>	F
1	0100011	A/R	Locking, Compound	
2	0100038	A/R	Primer, Locking	
3	Not Used			
4	0630535	3	Bolt, Socket Head #10-24NC x 1-1/8in	
5	0961897	1	Bushing, Tapered	
6	0961950	4	Bushing, Garmax	
7	1683063	1	Head	
8	1683844	1	Barrel Weldment	
9	3480253	1	Piston	
10	3760371	1	Ring, Wear	
11	1683846	1	Rod Weldment	
12	2220883	1	Plug, O-Ring #4	
13	2220886	1	Plug, O-Ring #8	
14	Not Used			
15	Use 2901841	2	Ring, Wear	
16	Use 2901841	2	Ring, Wear	
17	Use 2901841	1	Ring, Back-up	
18	Use 2901841	2	Ring, Back-up	
19	Use 2901841	1	Seal	
20	Use 2901841	2	O-Ring	
21	Use 2901841	1	O-Ring	
22	Use 2901841	1	Seal, Poly	
23	Use 2901841	1	Wiper	
24	Use 2901841	1	T-Seal	
25	4100099	1	Spacer, Tube	
26	4640509	1	Valve, Counterbalance	
	2900792	1	Seal Kit - 4640509 Valve	
27	Not Used			
28	3931824	8	Capscrew 1/2in-18NC x 1-1/2in	
29	4641144	1	Cartridge, Valve	
	7012967	1	Seal Kit - 4641144 Valve	
100	2901841	1	----- Seal Kit (Includes Items 15-24)	

# SECTION 5 CYLINDER

FIGURE 5-7. MASTER CYLINDER ASSEMBLY (ORIGINAL EQUIPMENT FOR S/N 0300096000 TO S/N 0300165145)



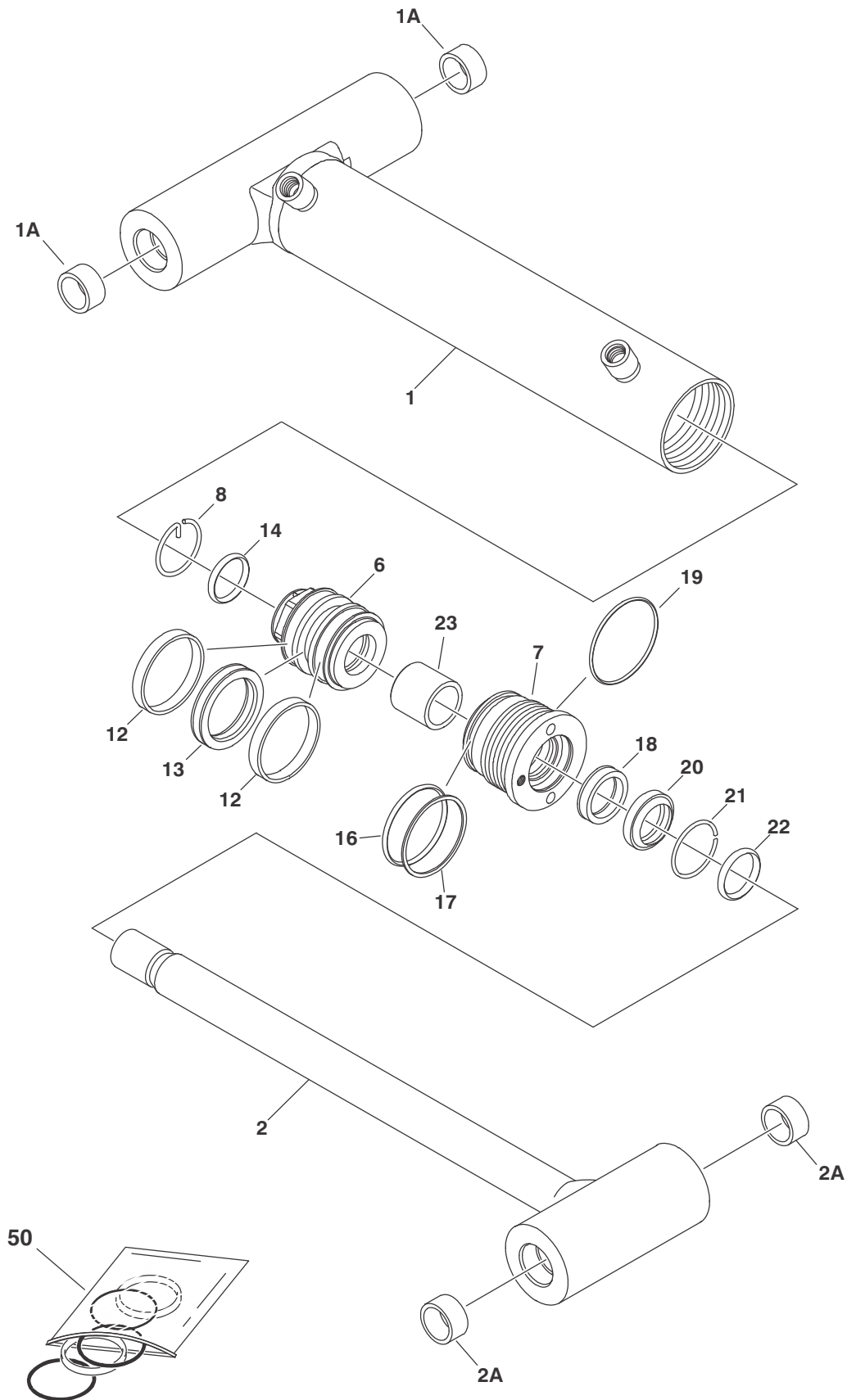
## SECTION 5 CYLINDER

**FIGURE 5-7. MASTER CYLINDER ASSEMBLY (ORIGINAL EQUIPMENT FOR S/N 0300096000 TO S/N 0300165145)**

ITEM #	PART NUMBER	QTY.	DESCRIPTION	REV.
		Ref.	<b>Note: Original Equipment Cylinder may have been replaced with Service Replacement Cylinder. Identify p/n stamped on cylinder before ordering parts.</b>	
	1684284	Ref.	<b>MASTER CYLINDER ASSEMBLY</b>	C
1	0100011	A/R	Locking, Compound	
2	0100038	A/R	Primer, Locking	
3	Not Used			
4	0630535	3	Bolt, Socket Head #10-24NC x 1-1/8in	
5	0961894	1	Bushing, Tapered	
6	0961951	4	Bushing, Garmax	
7	1683055	1	Head	
8	1684283	1	Barrel Weldment	
9	1683950	1	Rod Weldment	
10	2220885	1	Plug, O-Ring #6	
11	Not Used			
12	3480188	1	Piston	
13	Use 2901301	2	Ring, Hydrolock	
14	Use 2901301	2	Ring, Guidelock	
15	Use 2901301	1	O-Ring	
16	Use 2901301	2	Ring, Back-up	
17	Use 2901301	2	Ring, Wear	
18	Use 2901301	1	O-Ring	
19	Use 2901301	1	Ring, Back-up	
20	Use 2901301	1	Seal, Poly	
21	Use 2901301	1	Wiper	
22	3760369	1	Ring, Washer	
23	3931620	8	Capscrew 3/8in-16NC x 1-1/4in	
24	4566468	1	Spacer, Tube	
			-----	
100	2901301	1	Seal Kit (Includes Items 13-21)	

## SECTION 5 CYLINDER

FIGURE 5-8. MASTER CYLINDER ASSEMBLY (SERVICE REPLACEMENT FOR S/N 0300096000 TO S/N 0300165145 & ORIGINAL EQUIPMENT FOR S/N 0300165145 TO PRESENT)



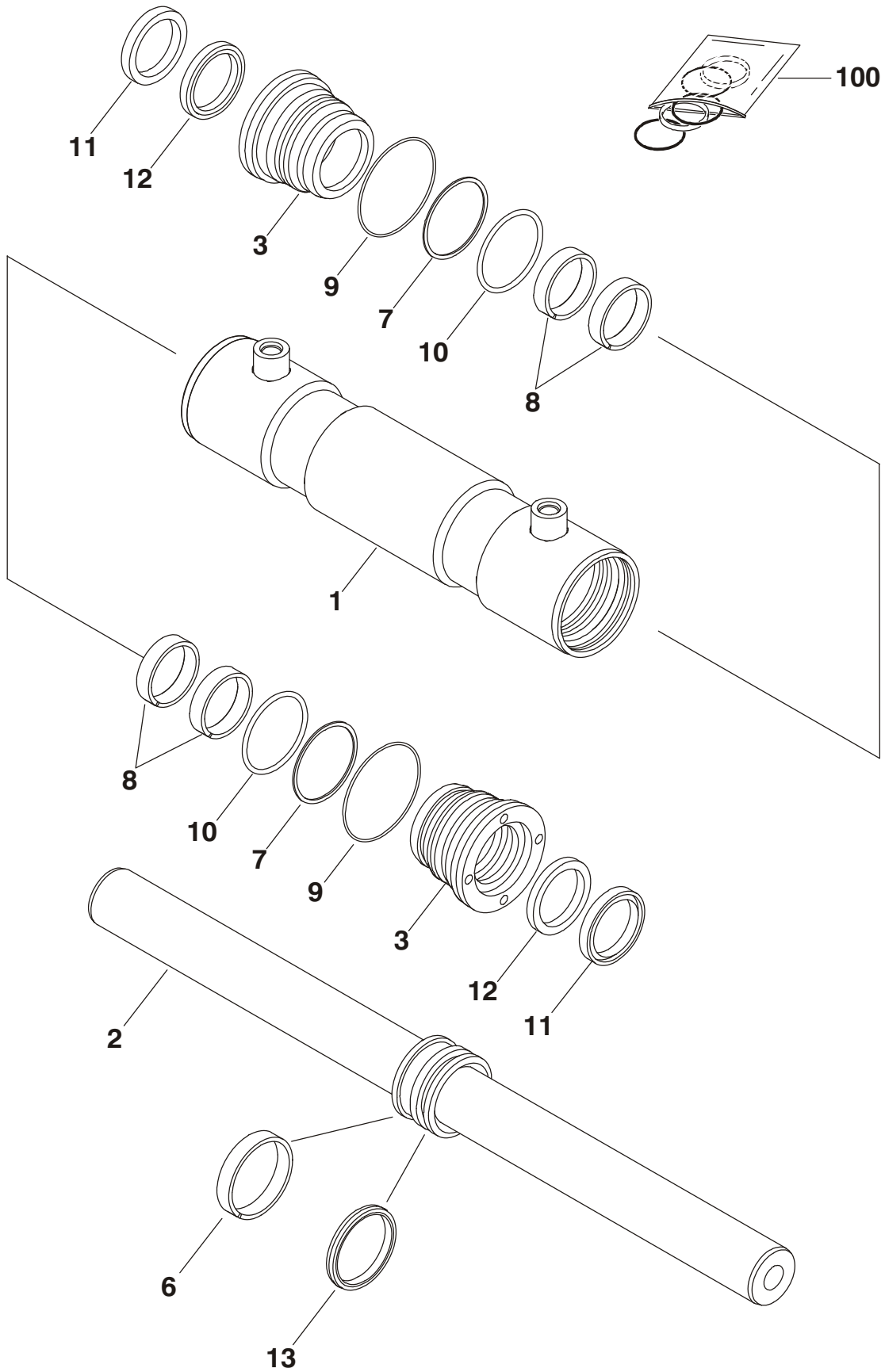
## SECTION 5 CYLINDER

**FIGURE 5-8. MASTER CYLINDER ASSEMBLY (SERVICE REPLACEMENT FOR S/N 0300096000 TO S/N 0300165145 & ORIGINAL EQUIPMENT FOR S/N 0300165145 TO PRESENT)**

ITEM #	PART NUMBER	QTY.	DESCRIPTION	REV.
		Ref.	<b>Note: Original Equipment Cylinder may have been replaced with Service Replacement Cylinder. Identify p/n stamped on cylinder before ordering parts.</b>	
	1001140587	Ref.	<b>MASTER CYLINDER ASSEMBLY</b>	A
1	70004139	1	Barrel	
1A	0961951	2	Bushing	
2	70004140	1	Rod	
2A	0961951	2	Bushing	
3 to 5	Not Used			
6	70003848	1	Piston	
7	70004136	1	Head	
8	70002224	1	Retainer	
9 to 11	Not Used			
12	Use 70004129	2	Ring, Wear	
13	Use 70004129	1	Seal	
14	7026113	1	O-Ring	
15	Not Used			
16	Use 70004129	1	O-Ring	
17	Use 70004129	1	Ring, Back-up	
18	Use 70004129	1	Seal	
19	Use 70004129	1	O-Ring	
20	Use 70004129	1	Wiper	
21	70003838	1	Ring, Retaining	
22	70003856	1	O-Ring	
23	70003839	1	Spacer	
24 to 49	Not Used			
50	70004129	1	Seal Kit (Includes Items 9-16)	

# SECTION 5 CYLINDER

FIGURE 5-9. STEER CYLINDER ASSEMBLY (S/N 0300096000 TO S/N 0300161285)



## SECTION 5 CYLINDER

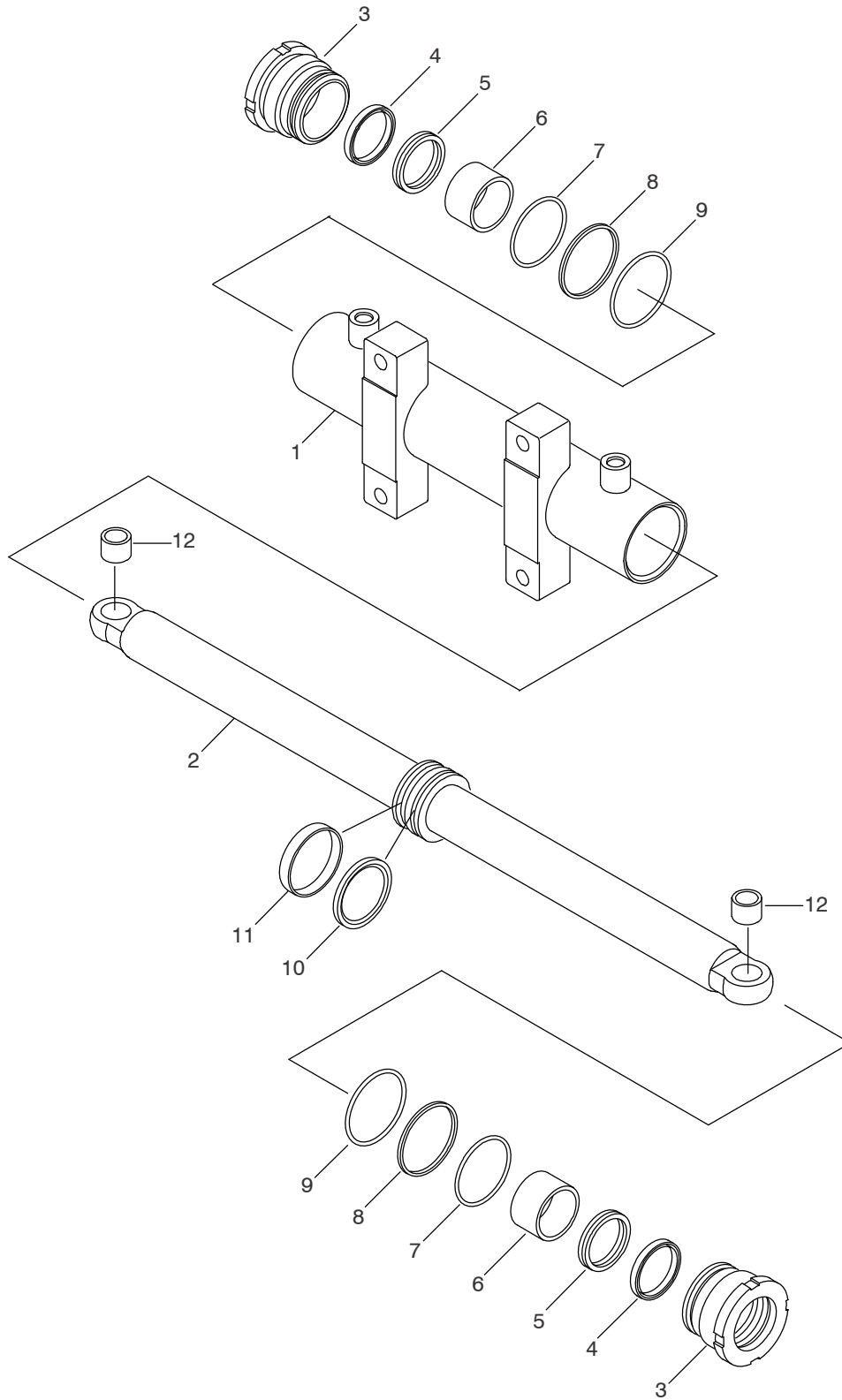
**FIGURE 5-9. STEER CYLINDER ASSEMBLY (S/N 0300096000 TO S/N 0300161285)**

ITEM #	PART NUMBER	QTY.	DESCRIPTION	REV.
	1684412	Ref.	<b>STEER CYLINDER ASSEMBLY</b>	A
1	0370024	1	Barrel Weldment	
2	1683658	1	Rod Weldment	
3	2570008	2	Head, Cylinder	
4	3020043	1	Lube, Anti-Seize (Not Shown - Apply Only to Threads on Item 3)	
5	Not Used			
6	Use 2902409	1	Ring, Wear	
7	Use 2902409	2	Ring, Back-up	
8	Use 2902409	4	Ring, Wear	
9	Use 2902409	2	O-Ring	
10	Use 2902409	2	O-Ring	
11	Use 2902409	2	Wiper	
12	Use 2902409	2	Seal	
13	Use 2902409	1	T-Seal	
			-----	
100	2902409	1	Seal Kit (Includes Items 6-13)	



# SECTION 5 CYLINDER

FIGURE 5-10. STEER CYLINDER ASSEMBLY (S/N 0300161285 TO PRESENT)



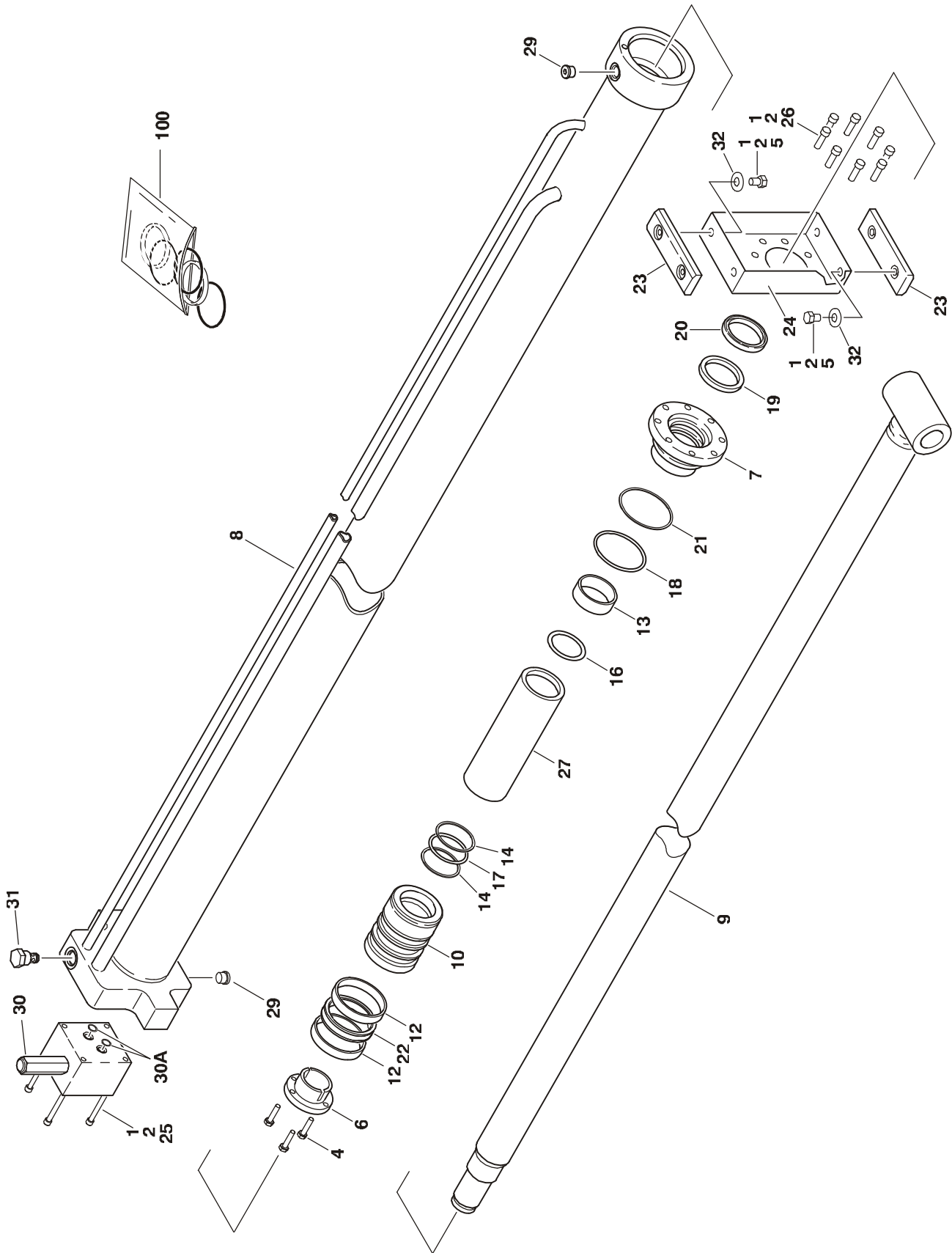
## SECTION 5 CYLINDER

**FIGURE 5-10. STEER CYLINDER ASSEMBLY (S/N 0300161285 TO PRESENT)**

ITEM #	PART NUMBER	QTY.	DESCRIPTION	REV.
	1001143434	Ref.	<b>STEER CYLINDER ASSEMBLY</b>	D
1	70003933	1	Barrel	
2	70003934	1	Rod	
3	70003098	2	Head	
4	Use 70003099	2	Wiper	
5	Use 70003099	2	Seal, Rod	
6	Use 70003099	2	Bearing	
7	Use 70003099	2	O-Ring	
8	Use 70003099	2	Ring, Back-up	
9	Use 70003099	2	O-Ring	
10	Use 70003099	1	Seal, Piston	
11	Use 70003099	1	Ring, Wear	
12	Use 70003099	2	Bearing	
50	70003099	1	----- Seal Kit - 1001143434 Cylinder (includes Items 4-12)	

# SECTION 5 CYLINDER

## FIGURE 5-11. TELESCOPE CYLINDER ASSEMBLY



## SECTION 5 CYLINDER

**FIGURE 5-11. TELESCOPE CYLINDER ASSEMBLY**

ITEM #	PART NUMBER	QTY.	DESCRIPTION	REV.
	1684194	Ref	<b>TELESCOPE CYLINDER ASSEMBLY</b>	D
1	0100011	A/R	Locking, Compound	
2	0100038	A/R	Primer, Locking	
3	0100063	A/R	Adhesive (S/N 0300096000 to S/N 0300138219)	
4	0630535	3	Bolt, Socket Head 1/4in-20NC x 1-1/8in	
5	0641604	4	Bolt 3/8in-16NC x 1/2in	
6	0961896	1	Bushing, Tapered	
7	1683054	1	Head	
8	1684193	1	Barrel Weldment	
9	1684312	1	Rod Weldment	
10	3480274	1	Piston	
11	Not Used			
12	Use 2901861	2	Ring, Wear	
13	Use 2901861	1	Ring, Wear	
14	Use 2901861	2	Ring, Back-up	
15	Not Used			
16	Use 2901861	1	O-Ring	
17	Use 2901861	1	O-Ring	
18	Use 2901861	1	O-Ring	
19	Use 2901861	1	Seal, Rod	
20	Use 2901861	1	Wiper	
21	Use 2901861	1	Ring, Back-up	
22	Use 2901861	1	Seal	
23	3340608	2	Pad, Wear	
24	3571795	1	Plate, Wear Pad Mounting	
25	3931448	4	Capscrew 1/4in-20NC x 3in	
26	3931516	8	Capscrew 5/16in-18NC x 1in	
27	4566425	1	Spacer, Tube	
28	Not Used			
29	2220885	2	Plug, O-Ring #6	
30	4641033	1	Valve, Counterbalance	
30A	7024508	2	O-Ring	
31	2220886	1	Plug, O-Ring #8	
32	4751600	4	Flatwasher 3/8in Regular	
100	2901861	1	----- Seal Kit (Includes Items 12-14 & 16-22)	

# SECTION 5 CYLINDER

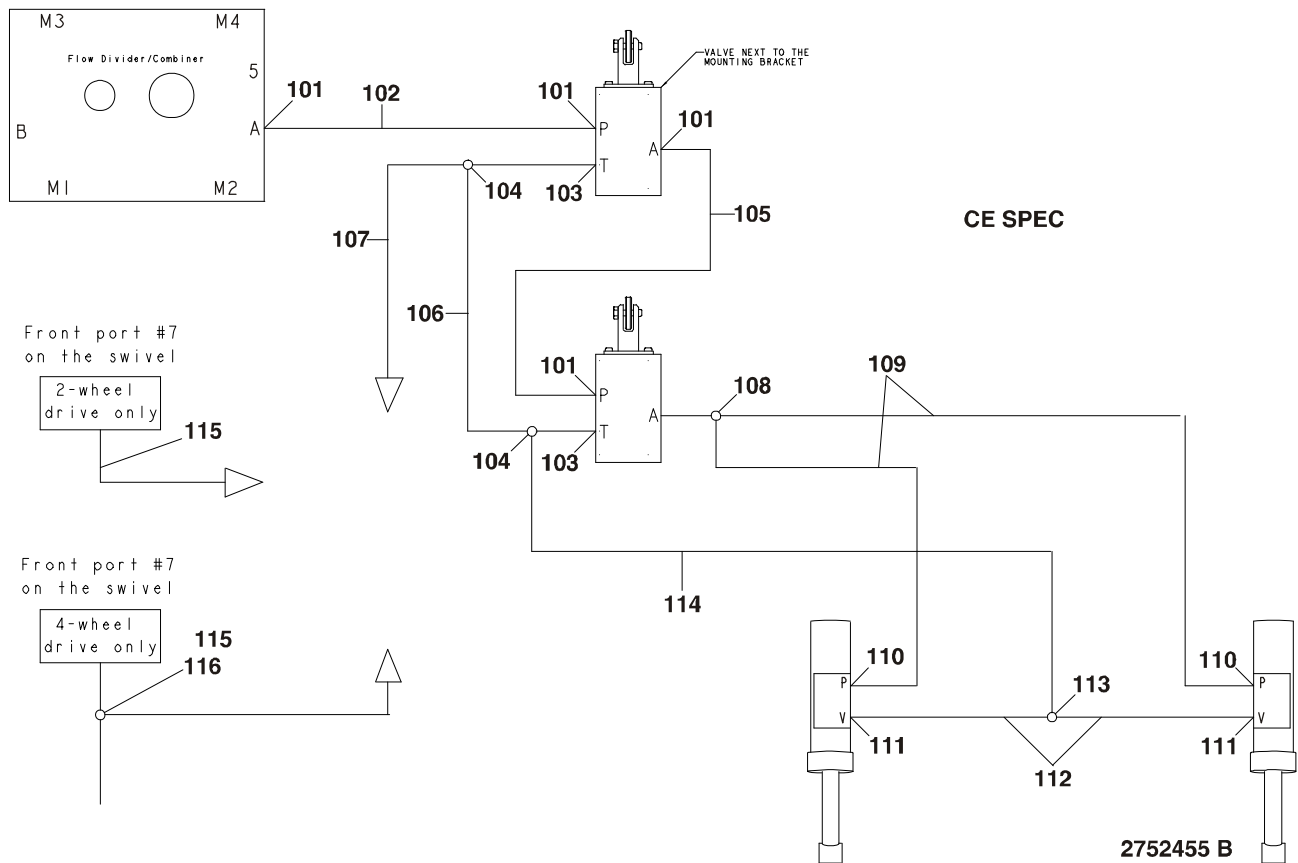
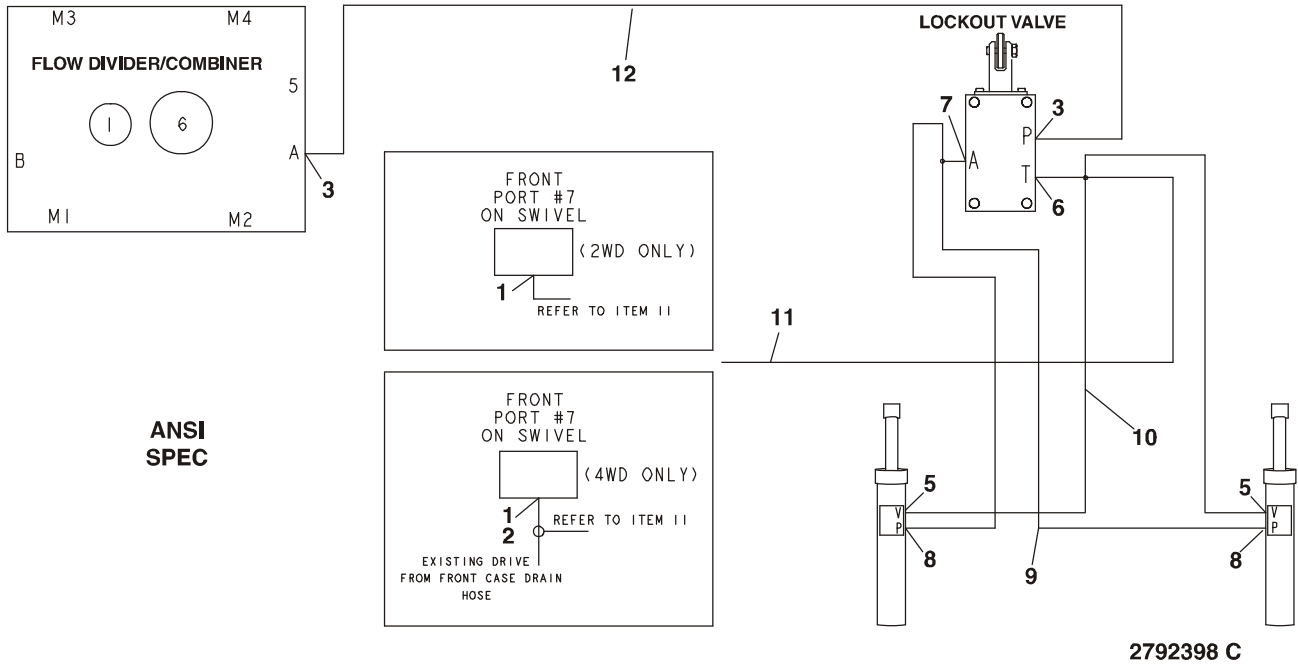
## FIGURE 5-11. TELESCOPE CYLINDER ASSEMBLY (CONTINUED)

ITEM #	PART NUMBER	QTY.	DESCRIPTION	REV.

# **SECTION 6 HYDRAULIC**

# SECTION 6 HYDRAULIC

**FIGURE 6-1. AXLE LOCKOUT HYDRAULIC DIAGRAM (S/N 0300096000 to S/N 0300115396)**



## SECTION 6 HYDRAULIC

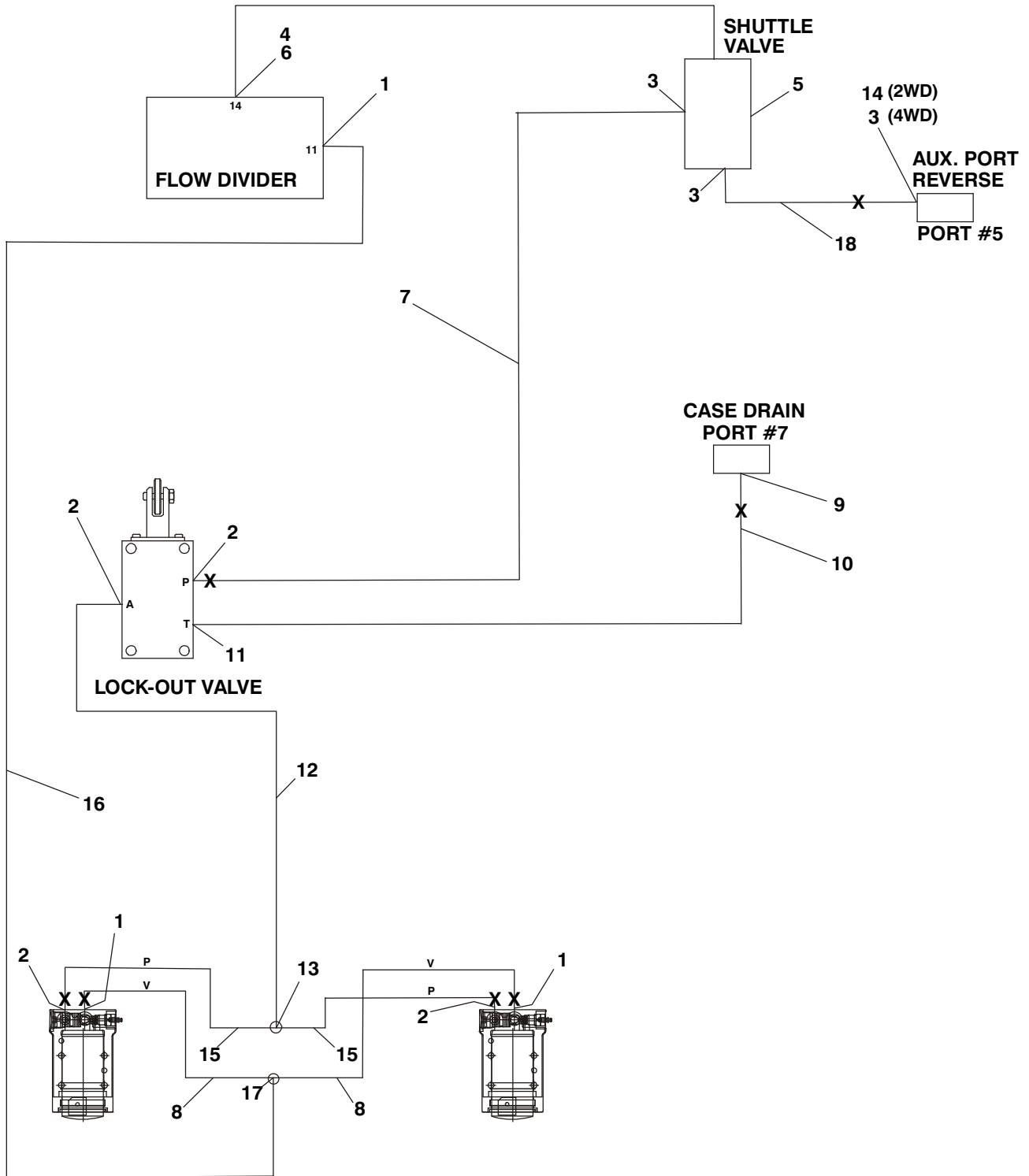
**FIGURE 6-1. AXLE LOCKOUT HYDRAULIC DIAGRAM (S/N 0300096000 TO S/N 0300115396)**

ITEM #	PART NUMBER	QTY.	DESCRIPTION	REV.
	2792398	Ref.	<b>AXLE LOCKOUT HYDRAULIC DIAGRAM (ANSI SPEC)</b>	3/C
1	2220375	1	Fitting, Straight	
2	2220385	1	Fitting, Tee	
3	2220415	2	Fitting, Straight	
4	Not Used			
5	2220501	2	Fitting, 45°	
6	2221043	1	Fitting, Tee	
7	2220711	1	Fitting, Tee	
8	2221040	2	Fitting, 45°	
9	2753035	2	Hose	
10	2752632	2	Hose	
11	2753342	1	Hose	
12	2753339	1	Hose	
	2792455	Ref.	<b>AXLE LOCKOUT HYDRAULIC DIAGRAM (CE SPEC)</b>	2/B
101	2220415	4	Fitting, Straight	
102	2753339	1	Hose	
103	2220603	2	Fitting	
104	2220635	2	Fitting	
105	2751013	1	Hose	
106	2752471	1	Hose	
107	2753342	1	Hose	
108	2221034	1	Fitting, Tee	
109	2753035	2	Hose	
110	2221040	2	Fitting, 45°	
111	2220501	2	Fitting, 45°	
112	2753118	2	Hose	
113	2220490	1	Fitting, Tee	
114	2752469	1	Hose	
115	2220375	1	Fitting	
116	2220385	1	Fitting, Tee	



# SECTION 6 HYDRAULIC

FIGURE 6-2. AXLE LOCKOUT HYDRAULIC DIAGRAM (ANSI SPEC - S/N 0300115396 TO S/N 0300140365)



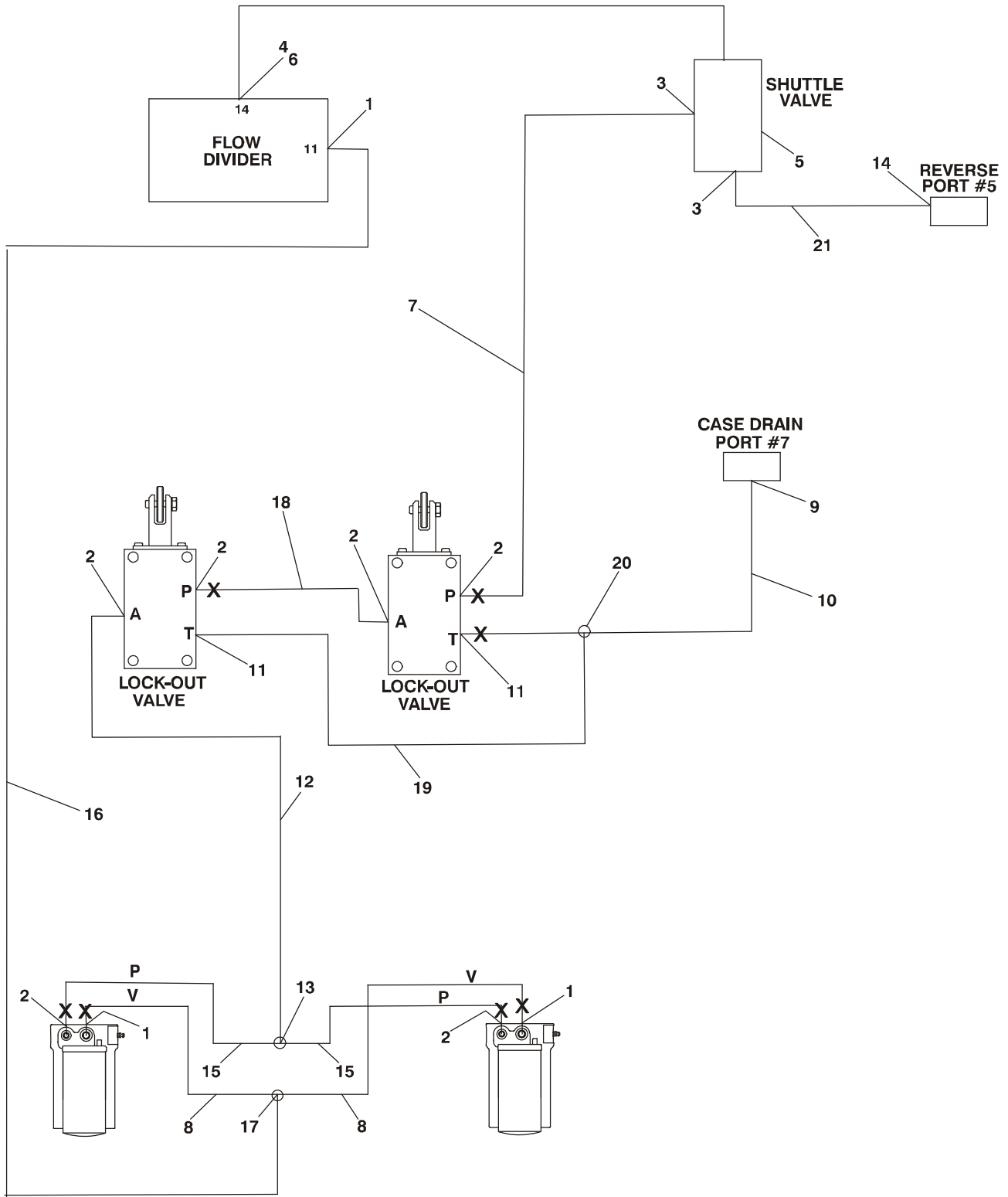
## SECTION 6 HYDRAULIC

**FIGURE 6-2. AXLE LOCKOUT HYDRAULIC DIAGRAM (ANSI SPEC - S/N 0300115396 TO S/N 0300140365)**

ITEM #	PART NUMBER	QTY.	DESCRIPTION	REV.
		Ref.	<b>AXLE LOCKOUT HYDRAULIC DIAGRAM (ANSI SPEC)</b>	
	1001091926	Ref.	<b>2WD</b>	4/D
	1001091729	Ref.	<b>4WD</b>	4/C
1	2220371	3	Fitting, Straight	
2	2220415	4	Fitting, Straight	
3	2220582	A/R	Fitting, Straight	
		2	2WD	
		3	4WD	
4	2220775	1	Fitting, 90°	
5	8902175	1	Valve, Shuttle	
6	2220919	1	Fitting, Swivel	
7	2752445	1	Hose	
8	1001096193	2	Hose	
9	2220385	1	Fitting, Tee	
10	1001096557	1	Hose	
11	2220603	1	Fitting, Straight	
12	1001096192	1	Hose	
13	2220504	1	Fitting, Tee	
14	2220605	1	Fitting, Tee (2WD Only)	
15	1001096191	2	Hose	
16	2752487	1	Hose	
17	2220490	1	Fitting, Tee	
18	2750888	1	Hose	

# SECTION 6 HYDRAULIC

FIGURE 6-3. AXLE LOCKOUT HYDRAULIC DIAGRAM (CE SPEC - S/N 0300115396 TO S/N 0300140365)



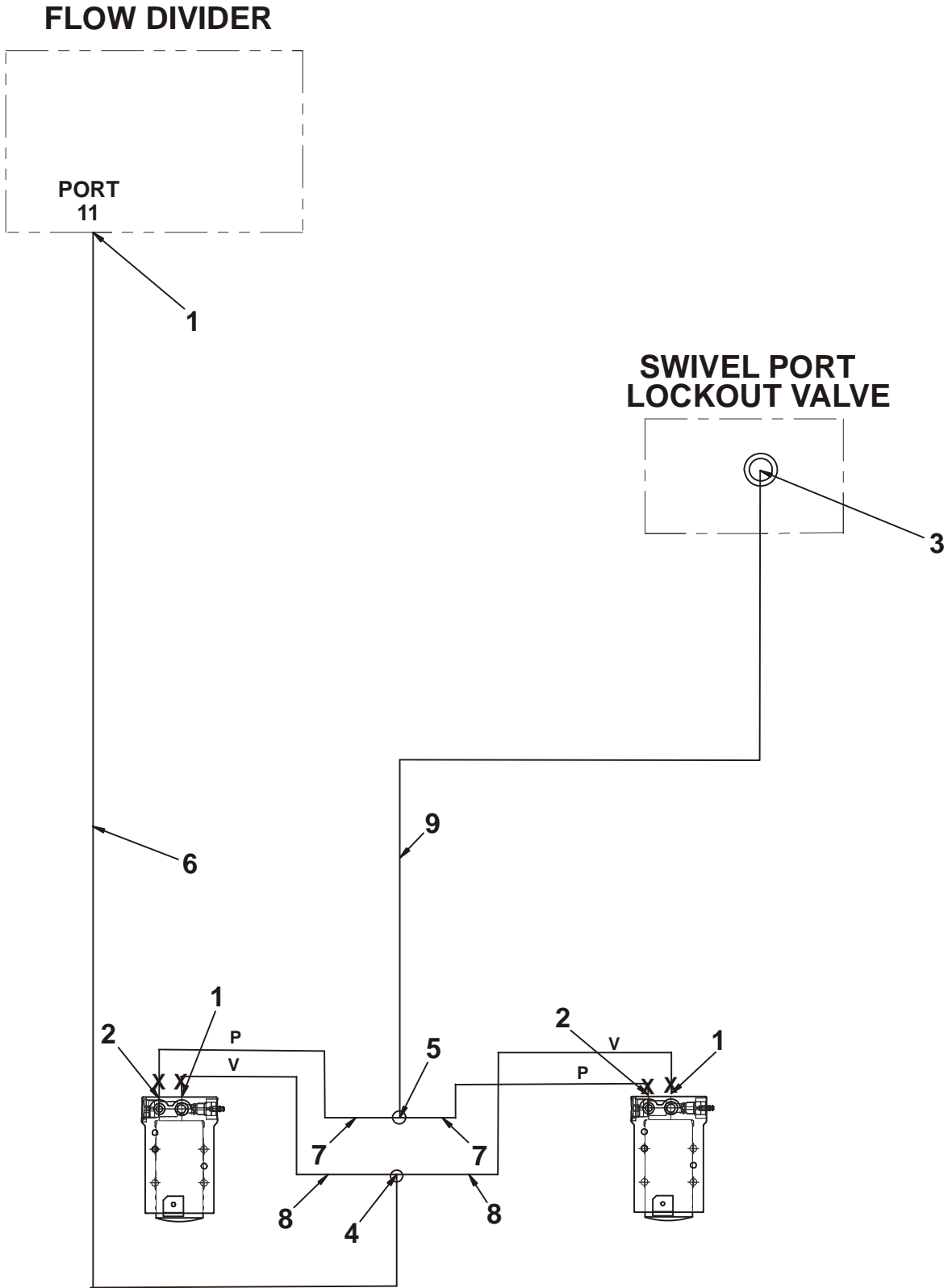
## SECTION 6 HYDRAULIC

**FIGURE 6-3. AXLE LOCKOUT HYDRAULIC DIAGRAM (CE SPEC - S/N 0300115396 TO S/N 0300140365)**

ITEM #	PART NUMBER	QTY.	DESCRIPTION	REV.
		Ref.	<b>AXLE LOCKOUT HYDRAULIC DIAGRAM (CE SPEC)</b>	
	1001091927	Ref.	<b>2WD</b>	4/D
	1001091730	Ref.	<b>4WD</b>	4/C
1	2220371	3	Fitting, Straight	
2	2220415	6	Fitting, Straight	
3	2220582	A/R	Fitting, Straight	
		2	2WD	
		3	4WD	
4	2220775	1	Fitting, 90°	
5	8902175	1	Valve, Shuttle	
6	2220919	1	Fitting, Swivel	
7	2752445	1	Hose	
8	1001096193	2	Hose	
9	2220385	1	Fitting, Tee	
10	1001096557	1	Hose	
11	2220603	2	Fitting, Straight	
12	1001096192	1	Hose	
13	2220504	1	Fitting, Tee	
14	2220605	1	Fitting, Tee (2WD Only)	
15	1001096191	2	Hose	
16	2752487	1	Hose	
17	2220490	1	Fitting, Tee	
18		1	Hose Options:	
	2751013		2WD	
	2751015		4WD	
19	2752471	1	Hose	
20	2220635	1	Fitting, Tee	
21	2750888	1	Hose	

# SECTION 6 HYDRAULIC

FIGURE 6-4. AXLE LOCKOUT HYDRAULIC DIAGRAM (ANSI & CE SPEC - S/N 0300140365 TO PRESENT)



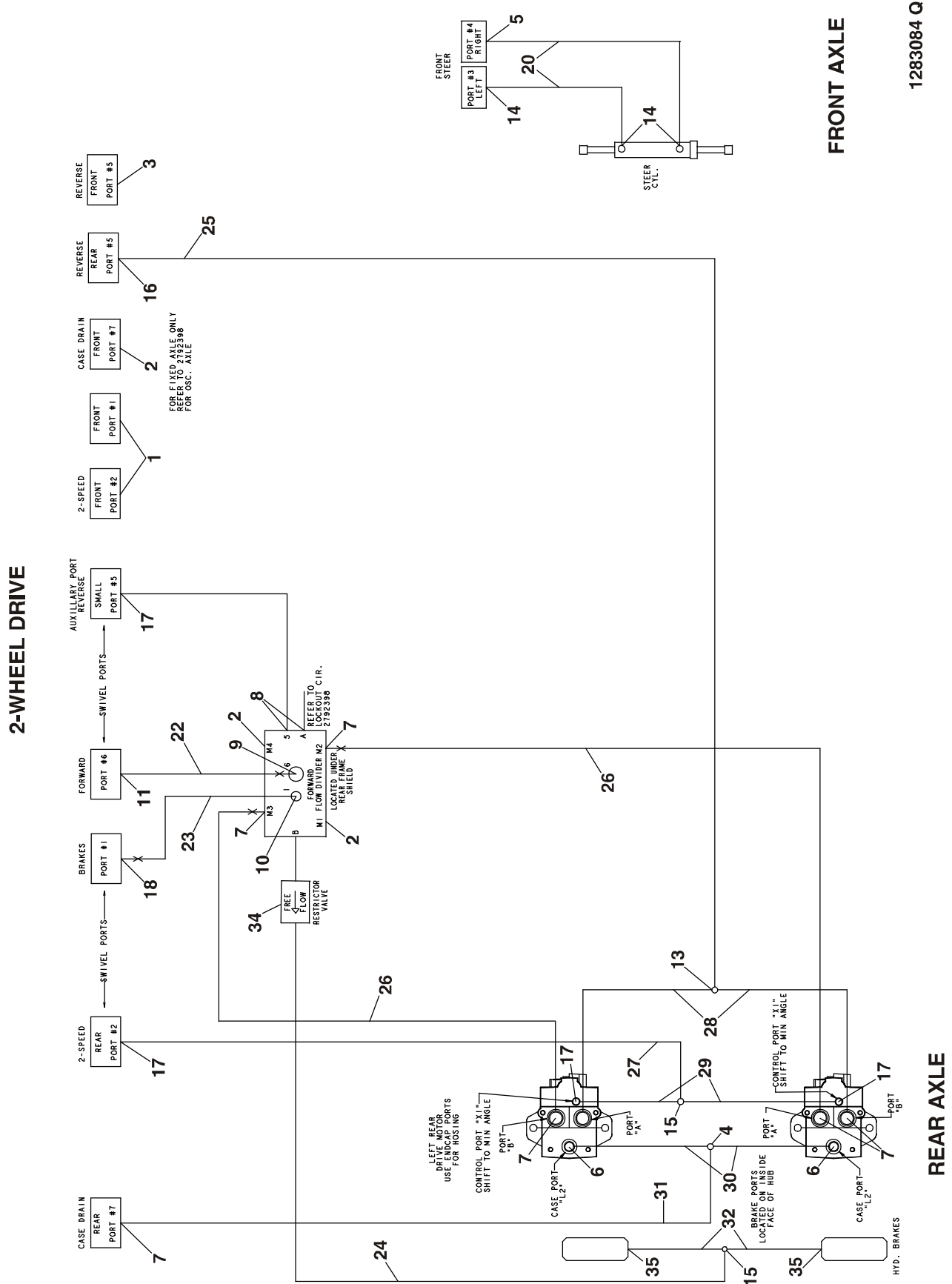
## SECTION 6 HYDRAULIC

**FIGURE 6-4. AXLE LOCKOUT HYDRAULIC DIAGRAM (ANSI & CE SPEC - S/N 0300140365 TO PRESENT)**

ITEM #	PART NUMBER	QTY.	DESCRIPTION	REV.
	1001106966	Ref.	<b>AXLE LOCKOUT HYDRAULIC DIAGRAM (ANSI SPEC)</b>	A
1	2220371	3	Fitting, Straight	
2	2220415	2	Fitting, Straight	
3	2220468	1	Fitting, Straight	
4	2220490	1	Fitting, Tee	
5	2220504	1	Fitting, Tee	
6	2752487	1	Hose	
7	1001096191	2	Hose	
8	1001096193	2	Hose	
9	1001108482	1	Hose	

# SECTION 6 HYDRAULIC

FIGURE 6-5. DRIVE HYDRAULIC DIAGRAM - 2WD (S/N 0300096000 TO S/N 0300115396)



## SECTION 6 HYDRAULIC

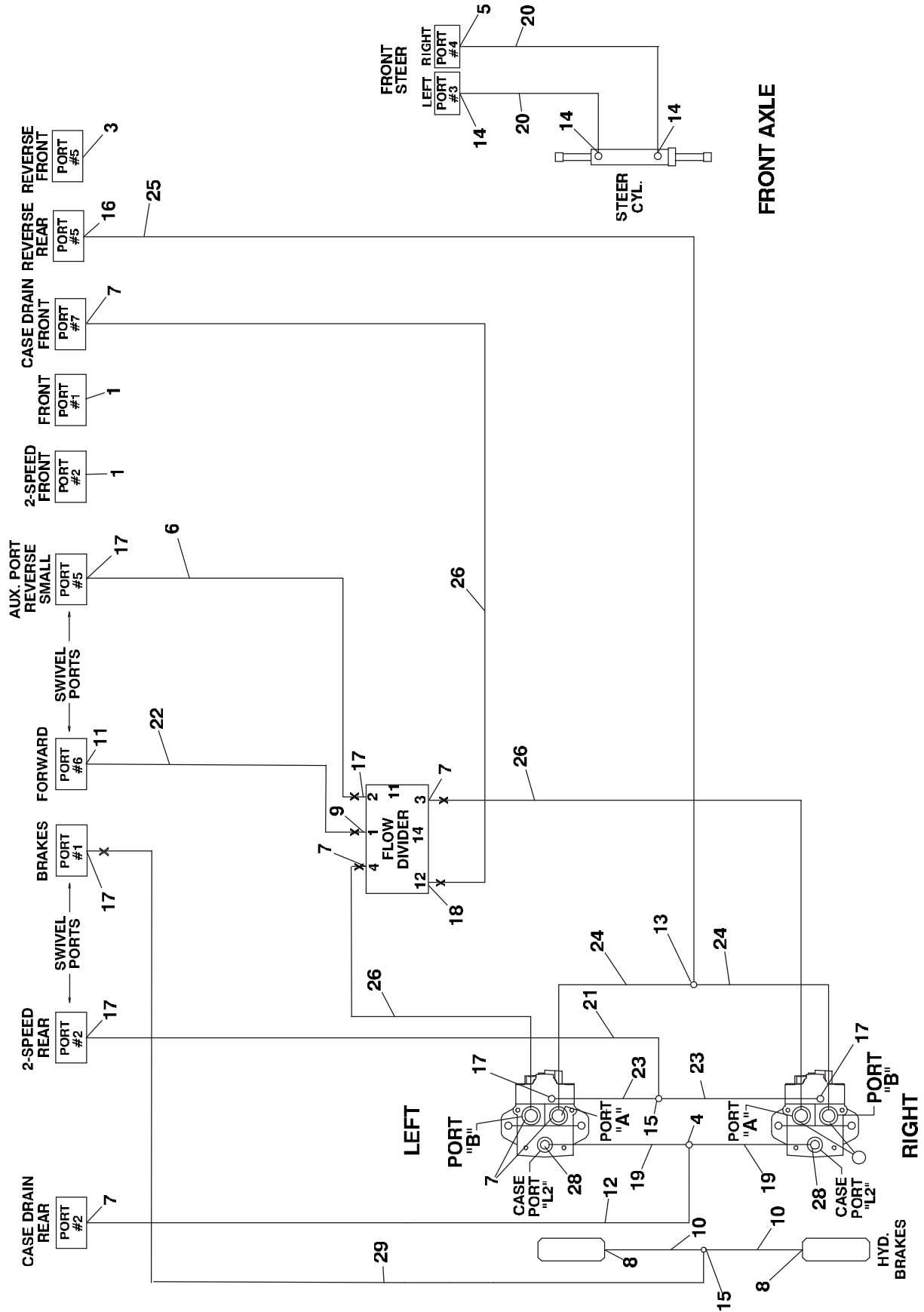
**FIGURE 6-5. DRIVE HYDRAULIC DIAGRAM - 2WD (S/N 0300096000 TO S/N 0300115396)**

ITEM #	PART NUMBER	QTY.	DESCRIPTION	REV.
	2792385/1283084	Ref.	<b>DRIVE HYDRAULIC DIAGRAM - 2WD</b>	9/R
1	2220237	2	Fitting, Plug	
2	2220240	3	Fitting, Plug	
3	2220242	1	Fitting, Plug	
4	2220362	1	Fitting, Tee	
5	2220371	1	Fitting, Straight	
6	2220373	2	Fitting, Straight (Fittings moved to Pump Assembly)	
7	2220375	A/R	Fitting, Straight	
		7	Pump Assy without Fittings	
		3	Pump Assy with Fittings	
8	2220415	2	Fitting, Straight	
9	2220435	1	Fitting, Straight	
10	2220596	2	Fitting, 90°	
11	2220465	1	Fitting, 90°	
12	Not Used			
13	2220481	1	Fitting, Tee	
14	2220501	3	Fitting, 45°	
15	2220504	2	Fitting, Tee	
16	2220568	1	Fitting, 45°	
17	2220582	2	Fitting, Straight	
		4	Pump Assy without Fittings	
		2	Pump Assy with Fittings	
18	2220600	1	Fitting, Straight	
19	Not Used			
20	2752466	2	Hose	
21	Not Used			
22	2753346	1	Hose	
23	2752495	1	Hose	
24	2752442	1	Hose	
25	2753347	1	Hose	
26	2753343	2	Hose	
27	2752977	1	Hose	
28	2753344	2	Hose	
29	2752908	2	Hose	
30	2752496	2	Hose	
31	2752506	1	Hose	
32	2754229	2	Hose	
33	Not Used			
34	4641282	1	Valve, Restrictor (.020)	
35	2220466	2	Fitting, 90°	



# SECTION 6 HYDRAULIC

FIGURE 6-6. DRIVE HYDRAULIC DIAGRAM - 2WD (S/N 0300115396 TO S/N 0300140365)



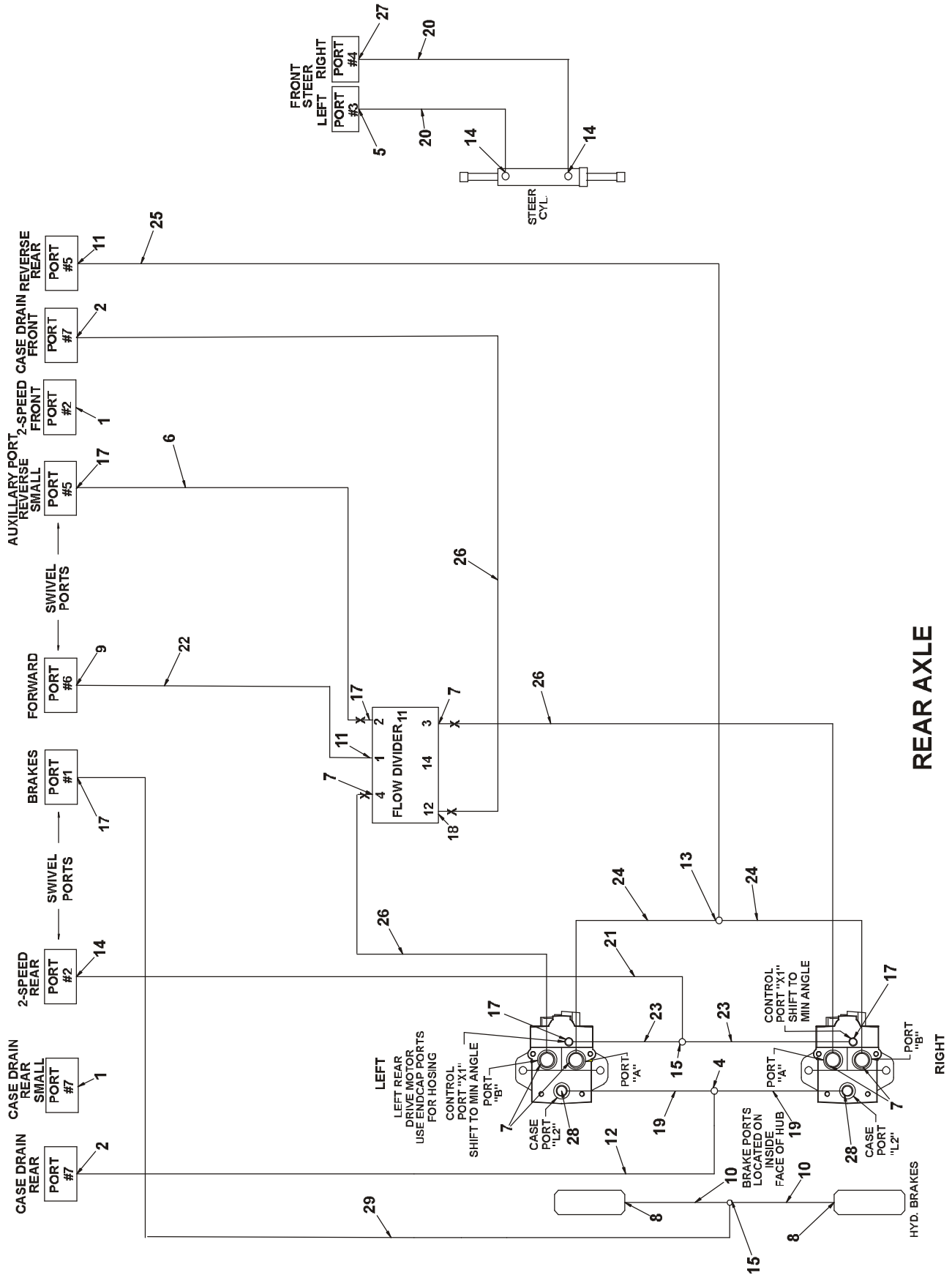
## SECTION 6 HYDRAULIC

**FIGURE 6-6. DRIVE HYDRAULIC DIAGRAM - 2WD (S/N 0300115396 TO S/N 0300140365)**

ITEM #	PART NUMBER	QTY.	DESCRIPTION	REV.
	1001092120/ 1001091687	Ref.	<b>DRIVE HYDRAULIC DIAGRAM - 2WD</b>	5/F
1	2220237	2	Fitting, Plug	
2	Not Used			
3	2220242	1	Fitting, Plug	
4	2220362	1	Fitting, Tee	
5	2220371	1	Fitting, Straight	
6	2752437	1	Hose	
7	2220375	8	Fitting, Straight	
8	2220466	2	Fitting, 90°	
9	2220435	1	Fitting, Straight	
10	2754229	2	Hose	
11	2220465	1	Fitting, 90°	
12	2752506	1	Hose	
13	2220481	1	Fitting, Tee	
14	2220501	3	Fitting, 45°	
15	2220504	2	Fitting, Tee	
16	2220568	1	Fitting, 45°	
17	2220582	6	Fitting, Straight	
18	2220600	1	Fitting, Straight	
19	2752492	2	Hose	
20	2752466	2	Hose	
21		1	Hose Option: S/N 0300096000 to S/N 0300122764 S/N 0300122764 to S/N 0300140365	
	2752437			
	2752977			
22	1001096556	1	Hose	
23	2752908	2	Hose	
24	2753344	2	Hose	
25	2753347	1	Hose	
26	2753343	3	Hose	
27	Not Used			
28	2220373	2	Fitting, Straight	
29	2752594	1	Hose	

# SECTION 6 HYDRAULIC

FIGURE 6-7. DRIVE HYDRAULIC DIAGRAM - 2WD (S/N 0300140365 TO PRESENT)



## SECTION 6 HYDRAULIC

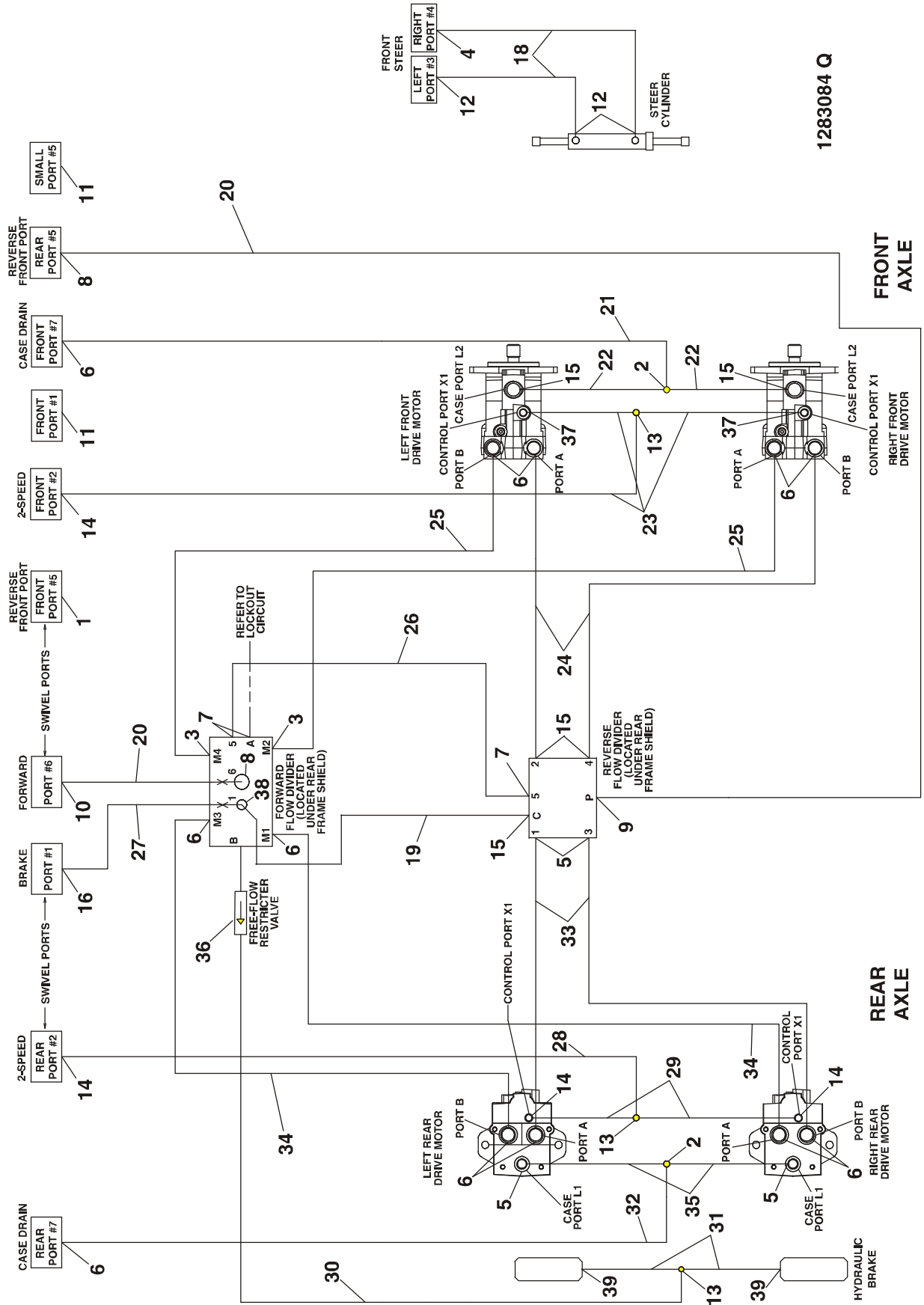
**FIGURE 6-7. DRIVE HYDRAULIC DIAGRAM - 2WD (S/N 0300140365 TO PRESENT)**

ITEM #	PART NUMBER	QTY.	DESCRIPTION	REV.
	1001108466	Ref.	<b>DRIVE HYDRAULIC DIAGRAM - 2WD</b>	A
1	2220237	2	Fitting, Plug	
2	2220596	2	Fitting, 90°	
3	Not Used			
4	2220362	1	Fitting, Tee	
5	2220371	1	Fitting, Straight	
6	2752437	1	Hose	
7	2220375	6	Fitting, Straight	
8	2220466	2	Fitting, 90°	
9	2220435	1	Fitting, Straight	
10	2754229	2	Hose	
11	2220465	2	Fitting, 90°	
12	2753416	1	Hose	
13	2220481	1	Fitting, Tee	
14	2220501	3	Fitting, 45°	
15	2220504	2	Fitting, Tee	
16	Not Used			
17	2220582	5	Fitting, Straight	
18	2220600	1	Fitting, Straight	
19	2752492	2	Hose	
20	2752466	2	Hose	
21	1001108478	1	Hose	
22	1001096556	1	Hose	
23	2752908	2	Hose	
24	2753344	2	Hose	
25	2753347	1	Hose	
26	2753343	3	Hose	
27	2220473	1	Fitting, 90°	
28	2220373	2	Fitting, Straight	
29	1001108477	1	Hose	

# SECTION 6 HYDRAULIC

FIGURE 6-8. DRIVE HYDRAULIC DIAGRAM - 4WD (S/N 0300096000 TO S/N 0300115396)

## 4-WHEEL DRIVE



## SECTION 6 HYDRAULIC

**FIGURE 6-8. DRIVE HYDRAULIC DIAGRAM - 4WD (S/N 0300096000 TO S/N 0300115396)**

ITEM #	PART NUMBER	QTY.	DESCRIPTION	REV.
		Ref.	<b>DRIVE HYDRAULIC DIAGRAM - 4WD</b>	
	2792386/1283084	Ref.	<b>Without Arctic Package</b>	7/R
	1001093930	Ref.	<b>With Arctic Package</b>	1/A
1	2220242	1	Fitting, Plug	
2	2220362	2	Fitting, Tee	
3	2220366	2	Fitting, 90°	
4	2220371	1	Fitting, Straight	
5	2220373	A/R	Fitting, Straight Options:	
		4	Pump Assy without Fittings	
		2	Pump Assy with Fittings	
6	2220375	A/R	Fitting, Straight Options:	
		12	Pump Assy without Fittings	
		4	Pump Assy with Fittings	
7	2220415	3	Fitting, Straight	
8	2220435	2	Fitting, Straight	
9	2220578	1	Fitting, 90°	
10	2220465	1	Fitting, 90°	
11	2220237	2	Plug	
12	2220501	3	Fitting, 45°	
13	2220504	3	Fitting, Tee	
14	2220582	A/R	Fitting, Straight Options:	
		4	Pump Assy without Fittings	
		2	Pump Assy with Fittings	
15	2220596	A/R	Fitting, 90° Options:	
		5	Pump Assy without Fittings	
		3	Pump Assy with Fittings	
16	2220600	1	Fitting, Straight	
17	Not Used			
18	2752466	2	Hose	
19	2752502	2	Hose	
20	2753346	2	Hose	
21	2752944	1	Hose	
22		2	Hose Options:	
	2753416		Without Arctic Package	
	1001093932		With Arctic Package	
23		3	Hose Options:	
	2752594		Without Arctic Package	
	1001093933		With Arctic Package	
24		2	Hose Options:	
	2753417		Without Arctic Package	
	1001093934		With Arctic Package	
25		2	Hose Options:	
	2753345		Without Arctic Package	
	1001093935		With Arctic Package	
26	2753035	1	Hose	
27	2752495	1	Hose	
28	2752977	1	Hose	
29	2752908	2	Hose	

## SECTION 6 HYDRAULIC

FIGURE 6-8. DRIVE HYDRAULIC DIAGRAM - 4WD (S/N 0300096000 TO S/N 0300115396)

ITEM #	PART NUMBER	QTY.	DESCRIPTION	REV.
30	2752443	1	Hose	
31	2754229	2	Hose	
32	2752506	1	Hose	
33	2753162	2	Hose	
34	2753343	2	Hose	
35	2752496	2	Hose	
36	4641282	1	Valve, Restrictor (.020)	
37	2220472	2	Fitting, 90° (Fitting moved to Pump Assembly)	
38	2220602	1	Fitting, Tee	
39	2220466	2	Fitting, 90°	

# SECTION 6 HYDRAULIC

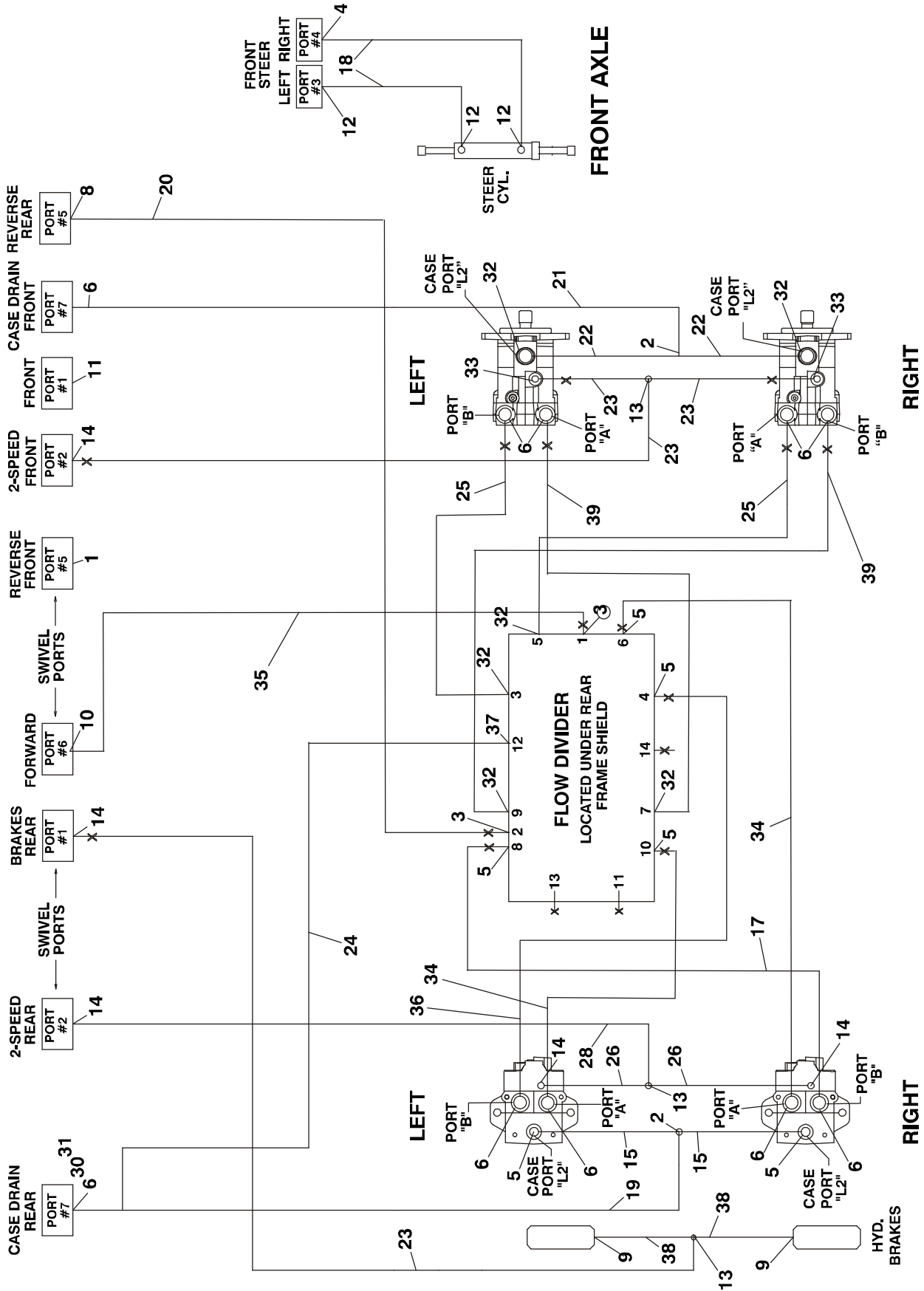
**FIGURE 6-8. DRIVE HYDRAULIC DIAGRAM - 4WD (S/N 0300096000 TO S/N 0300115396)**

ITEM #	PART NUMBER	QTY.	DESCRIPTION	REV.



# SECTION 6 HYDRAULIC

FIGURE 6-9. DRIVE HYDRAULIC DIAGRAM - 4WD (S/N 0300115396 TO S/N 0300140365)



## SECTION 6 HYDRAULIC

**FIGURE 6-9. DRIVE HYDRAULIC DIAGRAM - 4WD (S/N 0300115396 TO S/N 0300140365)**

ITEM #	PART NUMBER	QTY.	DESCRIPTION	REV.
		Ref.	<b>DRIVE HYDRAULIC DIAGRAM - 4WD</b>	
	1001091986/ 1001091687	Ref.	<b>Without Arctic Package</b>	5/F
	1001094684/ 1001091687	Ref.	<b>With Arctic Package</b>	4/F
1	2220242	1	Fitting, Plug	
2	2220362	2	Fitting, Tee	
3	2220451	2	Fitting, Straight	
4	2220371	1	Fitting, Straight	
5	2220373	6	Fitting, Straight	
6	2220375	10	Fitting, Straight	
7	Not Used			
8	2220568	1	Fitting, 45°	
9	2220466	2	Fitting, 90°	
10	2220465	1	Fitting, 90°	
11	2220237	1	Plug	
12	2220501	3	Fitting, 45°	
13	2220504	3	Fitting, Tee	
14	2220582	5	Fitting, Straight	
15	2752492	2	Hose	
16	Not Used			
17	2753343	1	Hose	
18	2752466	2	Hose	
19	2752506	1	Hose	
20	1001096160	1	Hose	
21	2752514	1	Hose	
22	2753416	2	Hose	
23		4	Hose Options:	
	2752594		Without Arctic Package	
	1001093933		With Arctic Package	
24	2752433	1	Hose	
25		2	Hose Options:	
	2753345		Without Arctic Package	
	1001093935		With Arctic Package	
26	2752908	2	Hose	
27	Not Used			
28	2752977	1	Hose	
29	Not Used			
30	2220385	1	Fitting, Tee	
31	2220618	1	Fitting, Reducer	
32	2220596	6	Fitting, 90°	
33	2220472	2	Fitting, 90°	
34	1001096168	2	Hose	
35	1001096161	1	Hose	
36	1001096167	1	Hose	
37	2220415	1	Fitting, Straight	
38	2754229	2	Hose	

## SECTION 6 HYDRAULIC

**FIGURE 6-9. DRIVE HYDRAULIC DIAGRAM - 4WD (S/N 0300115396 TO S/N 0300140365)  
(CONTINUED)**

ITEM #	PART NUMBER	QTY.	DESCRIPTION	REV.
39	2753345 1001099161  1001093935 1001099162	2	Hose Options: Without Arctic Package: S/N 0300096000 to S/N 0300119201 S/N 0300119201 to S/N 0300140365 With Arctic Package: S/N 0300096000 to S/N 0300119201 S/N 0300119201 to S/N 0300140365	

**SECTION 6 HYDRAULIC**

**FIGURE 6-9. DRIVE HYDRAULIC DIAGRAM - 4WD (S/N 0300115396 TO S/N 0300140365)  
(CONTINUED)**

ITEM #	PART NUMBER	QTY.	DESCRIPTION	REV.



## SECTION 6 HYDRAULIC

**FIGURE 6-10. DRIVE HYDRAULIC DIAGRAM - 4WD (S/N 0300140365 TO PRESENT)**

ITEM #	PART NUMBER	QTY.	DESCRIPTION	REV.
		Ref.	<b>DRIVE HYDRAULIC DIAGRAM - 4WD</b>	
	1001108464	Ref.	<b>Without Arctic Package</b>	B
	1001108465	Ref.	<b>With Arctic Package</b>	A
1	Not Used			
2	2220362	2	Fitting, Tee	
3	2220451	2	Fitting, Straight	
4	2220371	1	Fitting, Straight	
5	2220373	6	Fitting, Straight	
6	2220375	8	Fitting, Straight	
7	2220468	1	Fitting, Straight	
8	2220435	1	Fitting, Straight	
9	2220466	2	Fitting, 90°	
10	2220465	1	Fitting, 90°	
11	2220237	1	Plug	
12	2220501	3	Fitting, 45°	
13	2220504	3	Fitting, Tee	
14	2220582	4	Fitting, Straight	
15	2752492	2	Hose	
16	2220473	1	Fitting, 90°	
17	2753343	1	Hose	
18	2752466	2	Hose	
19	Not Used			
20	1001108480	1	Hose	
21	2753196	1	Hose	
22	2753416	3	Hose	
23		3	Hose Options:	
	2752594		Without Arctic Package	
	1001093933		With Arctic Package	
24	1001108476	1	Hose	
25		2	Hose Options:	
	2753345		Without Arctic Package	
	1001093935		With Arctic Package	
26	2752908	2	Hose	
27	1001108477	1	Hose	
28	1001108478	1	Hose	
29 to 31	Not Used			
32	2220596	8	Fitting, 90°	
33	2220472	2	Fitting, 90°	
34	1001096168	2	Hose	
35	1001108481	1	Hose	
36	1001096167	1	Hose	
37	2220415	1	Fitting, Straight	
38	2754229	2	Hose	
39		2	Hose Options:	
	1001099161		Without Arctic Package	
	1001099162		With Arctic Package	



## SECTION 6 HYDRAULIC

**FIGURE 6-11. STANDARD HYDRAULIC DIAGRAM (S/N 0300096000 TO S/N 0300115396)**

ITEM #	PART NUMBER	QTY.	DESCRIPTION	REV.
		Ref.	<b>STANDARD HYDRAULIC DIAGRAM</b>	
	2792704/1283084	Ref.	<b>400S</b>	2/Q
	2792705/1283084	Ref.	<b>460SJ</b>	2/Q
1	2220237	1	Fitting, Plug	
2	2221042	1	Fitting, 90°	
3	2220371	4	Fitting, Straight	
4	2220372	1	Fitting, Straight (460SJ Only)	
5	2220373	7	Fitting, Straight	
6	2220947	2	Fitting, Straight (Fitting moved to Pump Assembly)	
7	2220375	1	Fitting, Straight	
8	2220376	1	Fitting, Straight (Fitting moved to Pump Assembly)	
9	2220377	2	Fitting, Straight	
10	2220379	1	Fitting, Straight	
11	2220380	2	Fitting, Straight	
12	2220385	2	Fitting, Tee (Fitting moved to Pump Assembly)	
13	2220415	A/R	Fitting, Straight	
14 to 15	Not Used			
16	2220435	2	Fitting, Straight	
17	2220451	1	Fitting, Straight	
18	2220466	4	Fitting, 90°	
19	2220468	1	Fitting, Straight (460SJ Only)	
20	2220472	1	Fitting, 90° (460SJ Only)	
21	2220473	3	Fitting, 90°	
22	2220479	2	Fitting, Straight (Fitting moved to Pump Assembly)	
23	2220497	2	Fitting, Straight	
24	2220498	A/R	Fitting, 45°	
		3	Pump Assy without Fittings	
		1	Pump Assy with Fittings	
25	2220500	1	Fitting, 45°	
26	Not Used			
27	2220502	A/R	Fitting, 45°	
28	2220567	1	Fitting, 90°	
29	2220582	1	Fitting, Straight	
30	2220596	2	Fitting, 90°	
31	2220600	1	Fitting, Straight	
32	4567139	1	Tube	
33	2221045	2	Fitting, 45°	
34	2220775	1	Fitting, 90°	
35	2220810	2	Fitting, Reducer (Fitting moved to Pump Assembly)	
36	4640744	2	Fitting, Check Valve (Fitting moved to Pump Assembly)	
37	2221086	6	Fitting, Pressure Check	
38	2220899	2	Fitting, Tee	
39	2221041	1	Fitting, Tee (Fitting moved to Pump Assembly)	
40	2221044	1	Fitting, 45°	
41	2753352	1	Hose	
42	2753353	1	Hose	
43	2753354	1	Hose	
44	2753357	1	Hose	



## SECTION 6 HYDRAULIC

**FIGURE 6-11. STANDARD HYDRAULIC DIAGRAM (S/N 0300096000 TO S/N 0300115396)**

ITEM #	PART NUMBER	QTY.	DESCRIPTION	REV.
45	2753351	2	Hose	
46	2752942	1	Hose	
47	2752763	1	Hose	
48	2753350	1	Hose	
49	2752430	1	Hose	
50	2753358	2	Hose	
51	2753355	1	Hose	
52	2753349	2	Hose	
53	2753356	1	Hose	
54	2752519	2	Hose	
55	2753360	1	Hose	
56	2753359	1	Hose	
57	2753514	2	Hose	
58	Not Used			
59		1	Hose Options:	
	2753517		400S	
	2753512		460SJ	
60	Not Used			
61		1	Hose Options:	
	2753516		400S	
	2753513		460SJ	
62	2753368	1	Hose	
63	2753372	1	Hose	
64	2753348	2	Hose	
65	2753369	1	Hose	
66	2753373	1	Hose	
67	2752471	2	Hose	
68	2752443	1	Hose	
69	4641282	2	Valve, Restrictor (.020)	
70	2753511	1	Hose (460SJ Only)	
71 to 72	Not Used			
73	2753515	1	Hose (460SJ Only)	
74	2220603	4	Fitting, Straight	
75 to 76	Not Used			
77	2221063	1	Fitting, Tee	
78	2220578	1	Fitting, Straight (Fitting moved to Pump Assembly)	
79	2753502	1	Hose	
80	2180724	1	Fitting, Modified 90° (460SJ Only)	
81	2180422	1	Fitting, Plug (460SJ Only)	
82	2221216	1	Fitting, Straight	

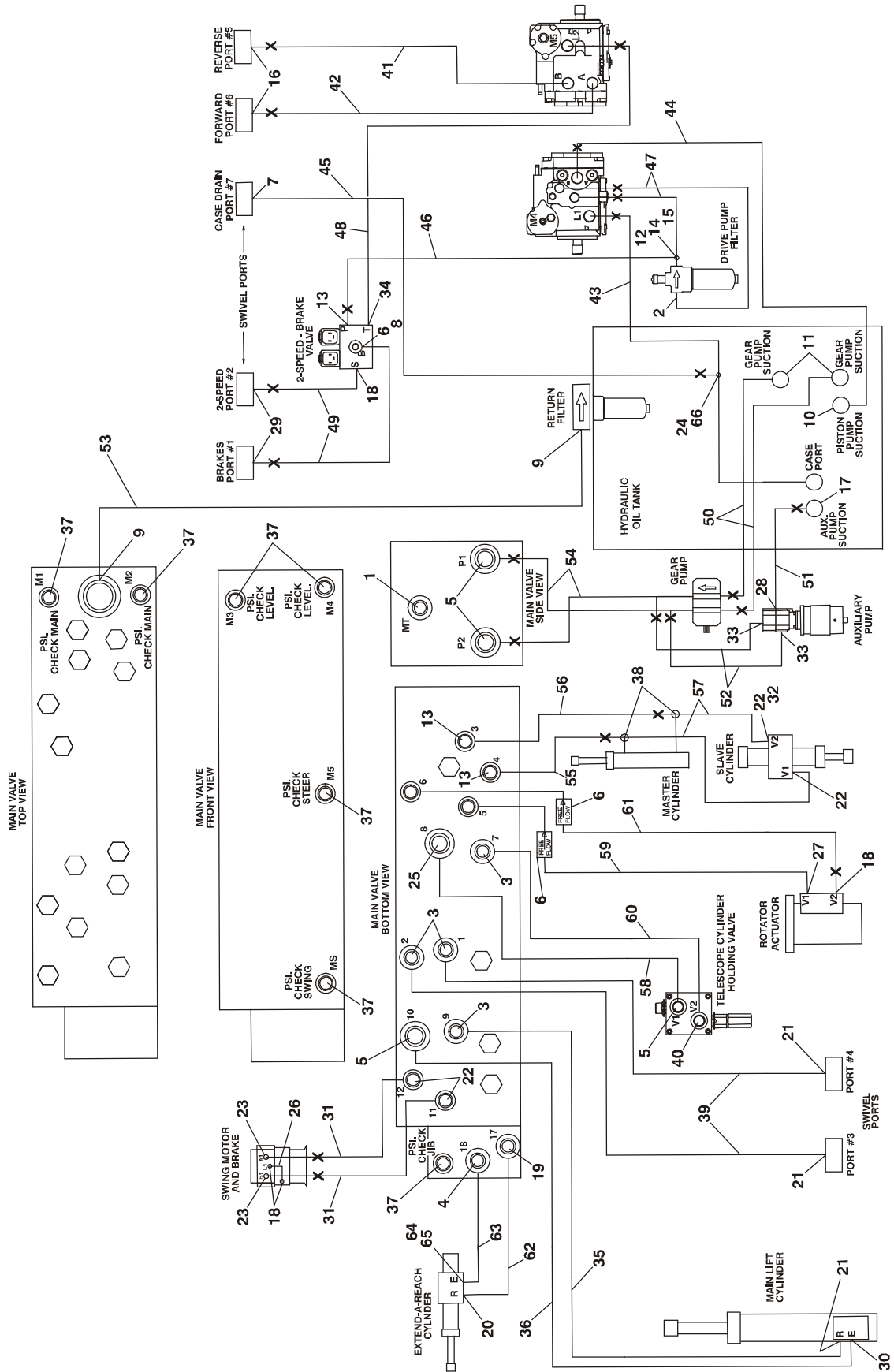
# SECTION 6 HYDRAULIC

**FIGURE 6-11. STANDARD HYDRAULIC DIAGRAM (S/N 0300096000 TO S/N 0300115396)**

ITEM #	PART NUMBER	QTY.	DESCRIPTION	REV.

# SECTION 6 HYDRAULIC

FIGURE 6-12. STANDARD HYDRAULIC DIAGRAM (S/N 0300115396 TO S/N 0300140365)



## SECTION 6 HYDRAULIC

**FIGURE 6-12. STANDARD HYDRAULIC DIAGRAM (S/N 0300115396 TO S/N 0300140365)**

ITEM #	PART NUMBER	QTY.	DESCRIPTION	REV.
		Ref.	<b>STANDARD HYDRAULIC DIAGRAM</b>	
	1001093359/ 1001091687	Ref.	<b>400S</b>	4/F
	1001093360/ 1001091687	Ref.	<b>460SJ</b>	5/F
1	2220237	1	Fitting, Plug	
2	2221042	1	Fitting, 90°	
3	2220371	4	Fitting, Straight	
4	2220372	1	Fitting, Straight (460SJ Only)	
5	2220373	4	Fitting, Straight	
6	4641282	3	Valve, Restrictor (.020)	
7	2220375	1	Fitting, Straight	
8	2220654	1	Fitting, 90°	
9	2220377	2	Fitting, Straight	
10	2220379	1	Fitting, Straight	
11	2220380	2	Fitting, Straight	
12	2220949	1	Fitting, Reducer	
13	2220415	3	Fitting, Straight	
14	2220852	1	Fitting, Straight	
15	2220948	1	Fitting, Tee	
16	2220435	2	Fitting, Straight	
17	2220451	1	Fitting, Straight	
18	2220466	4	Fitting, 90°	
19	2220468	1	Fitting, Straight (460SJ Only)	
20	2220472	1	Fitting, 90° (460SJ Only)	
21	2220473	3	Fitting, 90°	
22	2220603	4	Fitting, Straight	
23	2220497	2	Fitting, Straight	
24	2220738	1	Fitting, Tee	
25	2220500	1	Fitting, 45°	
26	2752443	1	Hose	
27	2220502	1	Fitting, 45°	
28	2220567	1	Fitting, 90°	
29	2220582	2	Fitting, Straight	
30	2220596	1	Fitting, 90°	
31	2752471	2	Hose	
32	4567139	1	Tube	
33	2221045	2	Fitting, 45°	
34	2220775	1	Fitting, 90°	
35	2753369	1	Hose	
36	2753373	1	Hose	
37	2221086	6	Fitting, Pressure Check	
38	2220899	2	Fitting, Tee	
39	2753348	2	Hose	
40	2221044	1	Fitting, 45°	
41	2753352	1	Hose	
42	2753353	1	Hose	

## SECTION 6 HYDRAULIC

**FIGURE 6-12. STANDARD HYDRAULIC DIAGRAM (S/N 0300115396 TO S/N 0300140365)  
(CONTINUED)**

ITEM #	PART NUMBER	QTY.	DESCRIPTION	REV.
43	2753354	1	Hose	
44	2753357	1	Hose	
45	2753351	1	Hose	
46	2752433	1	Hose	
47	2752763	2	Hose	
48	2753350	1	Hose	
49	2752430	2	Hose	
50	2753358	2	Hose	
51	2753355	1	Hose	
52	2753349	2	Hose	
53	2753356	1	Hose	
54	2752519	2	Hose	
55	2753360	1	Hose	
56	2753359	1	Hose	
57	2753514	2	Hose	
58	2753372	1	Hose	
59		1	Hose Options:	
	2753517		400S	
	2753512		460SJ	
60	2753368	1	Hose	
61		1	Hose Options:	
	2753516		400S	
	2753513		460SJ	
62	2753511	1	Hose (460SJ Only)	
63	2753515	1	Hose (460SJ Only)	
64	2180724	1	Fitting, Modified 90° (460SJ Only)	
65	2180422	1	Fitting, Plug (460SJ Only)	
66	2220622	1	Fitting, Adapter	

**SECTION 6 HYDRAULIC**

**FIGURE 6-12. STANDARD HYDRAULIC DIAGRAM (S/N 0300115396 TO S/N 0300140365)  
(CONTINUED)**

ITEM #	PART NUMBER	QTY.	DESCRIPTION	REV.



## SECTION 6 HYDRAULIC

**FIGURE 6-13. STANDARD HYDRAULIC DIAGRAM (S/N 0300140365 TO PRESENT)**

ITEM #	PART NUMBER	QTY.	DESCRIPTION	REV.
		Ref.	<b>STANDARD HYDRAULIC DIAGRAM</b>	
	1001108462	Ref.	<b>400S</b>	F
	1001108463	Ref.	<b>460SJ</b>	D
1	2220237	1	Fitting, Plug	
2	2221042	1	Fitting, 90°	
3	2220371	6	Fitting, Straight	
4	2220372	1	Fitting, Straight (460SJ Only)	
5	2220373	4	Fitting, Straight	
6	4641282	3	Valve, Restrictor (.020)	
7	2220375	1	Fitting, Straight	
8	2220654	1	Fitting, 90°	
9	2220377	2	Fitting, Straight	
10	2220379	1	Fitting, Straight	
11	2220380	2	Fitting, Straight	
12	2220949	1	Fitting, Reducer	
13	2220415	3	Fitting, Straight	
14	2220852	1	Fitting, Straight	
15	2220948	1	Fitting, Tee	
16	2220435	2	Fitting, Straight	
17	2220451	1	Fitting, Straight	
18	2220466	2	Fitting, 90°	
19	2220468	1	Fitting, Straight (460SJ Only)	
20	2220472	1	Fitting, 90° (460SJ Only)	
21	2220473	3	Fitting, 90°	
22	2220603	4	Fitting, Straight	
23	Not Used			
24	2220738	1	Fitting, Tee	
25	2220500	1	Fitting, 45°	
26	Not Used			
27	2220502	1	Fitting, 45°	
28	Not Used			
29	2220582	1	Fitting, Straight	
30	2220596	1	Fitting, 90°	
31	2752471	2	Hose	
32	4567139	1	Tube	
33	Not Used			
34	2220775	1	Fitting, 90°	
35	2753369	1	Hose	
36	2753373	1	Hose	
37	2221086	6	Fitting, Pressure Check	
38	2220899	2	Fitting, Tee	
39	2753348	2	Hose	
40	2221044	1	Fitting, 45°	
41	2753352	1	Hose	
42	2753353	1	Hose	
43	2753354	1	Hose	
44	2753357	1	Hose	



## SECTION 6 HYDRAULIC

**FIGURE 6-13. STANDARD HYDRAULIC DIAGRAM (S/N 0300140365 TO PRESENT)  
(CONTINUED)**

ITEM #	PART NUMBER	QTY.	DESCRIPTION	REV.
45	2753351	1	Hose	
46	2752433	1	Hose	
47	2752763	2	Hose	
48	2753350	1	Hose	
49	2752430	2	Hose	
50	2753358	2	Hose	
51	2753355	1	Hose	
52	2753349	2	Hose	
53	2753356	1	Hose	
54	2752519	2	Hose	
55	2753360	1	Hose	
56	2753359	1	Hose	
57	2753514	2	Hose	
58	2753372	1	Hose	
59		1	Hose Options:	
	2753517		400S	
	2753512		460SJ	
60	2753368	1	Hose	
61		1	Hose Options:	
	2753516		400S	
	2753513		460SJ	
62	2753511	1	Hose (460SJ Only)	
63	2753515	1	Hose (460SJ Only)	
64	2180724	1	Fitting, Modified 90° (460SJ Only)	
65	2180422	1	Fitting, Plug (460SJ Only)	
66	2220622	1	Fitting, Adapter	
67	2220677	1	Fitting, 45°	
68	2220468	1	Fitting, Adapter (400S Only)	

**SECTION 6 HYDRAULIC**

**FIGURE 6-13. STANDARD HYDRAULIC DIAGRAM (S/N 0300140365 TO PRESENT)  
(CONTINUED)**

ITEM #	PART NUMBER	QTY.	DESCRIPTION	REV.

# SECTION 6 HYDRAULIC

## FIGURE 6-14. HYDRAULIC DIAGRAM LIST

ITEM #	PART NUMBER	QTY.	DESCRIPTION	REV.
		Ref.	<b>Note: Diagrams with asterisk (*) are shown in the preceding pages. Information on diagrams not shown is available from JLG Service/Parts Departments.</b>	
		Ref.	<b>Axle Lockout Hydraulic Diagram</b>	
		Ref.	S/N 0300096000 to S/N 0300115396	
	2792398*	Ref.	ANSI Spec	
	2792455*	Ref.	CE Spec	
		Ref.	S/N 0300115396 to S/N 0300140365	
	1001091926*	Ref.	2WD - ANSI Spec	
	1001091927*	Ref.	2WD - CE Spec	
	1001091729*	Ref.	4WD - ANSI Spec	
	1001091730*	Ref.	4WD - CE Spec	
		Ref.	S/N 0300140365 to Present	
	1001106966*	Ref.	ANSI & CE Spec	
		Ref.	<b>Axle Fixed Hydraulic Diagram</b>	
	1001092140	Ref.		
		Ref.	<b>Drive Hydraulic Diagrams:</b>	
		Ref.	2WD Machines	
	2792385/1283084*	Ref.	S/N 0300096000 to S/N 0300115396	
	1001092120/ 1001091687*	Ref.	S/N 0300115396 to S/N 0300140365	
	1001108466*	Ref.	S/N 0300140365 to Present	
		Ref.	4WD Machines Without Arctic Package	
	2792386/1283084*	Ref.	S/N 0300096000 to S/N 0300115396	
	1001091986/ 1001091687*	Ref.	S/N 0300115396 to S/N 0300140365	
	1001108464*	Ref.	S/N 0300140365 to Present	
		Ref.	4WD Machines With Arctic Package	
	1001093930*	Ref.	S/N 0300096000 to S/N 0300115396	
	1001094684/ 1001091687*	Ref.	S/N 0300115396 to S/N 0300140365	
	1001108465*	Ref.	S/N 0300140365 to Present	
		Ref.	<b>Standard Hydraulic Diagrams:</b>	
		Ref.	400S	
	2792704/1283084*	Ref.	S/N 0300096000 to S/N 0300115396	
	1001093359/ 1001091687*	Ref.	S/N 0300115396 to S/N 0300140365	
	1001108462	Ref.	S/N 0300140365 to Present	
		Ref.	460SJ	
	2792705/1283084*	Ref.	S/N 0300096000 to S/N 0300115396	
	1001093360/ 1001091687*	Ref.	S/N 0300115396 to S/N 0300140365	
	1001108463	Ref.	S/N 0300140365 to Present	

## SECTION 6 HYDRAULIC

ITEM #	PART NUMBER	QTY.	DESCRIPTION	REV.
		Ref.	<b>Standard Hydraulic Schematic</b>	
	2792387	Ref.	S/N 0300096000 to S/N 0300115396	
	1001093691	Ref.	S/N 0300115396 to S/N 0300140365	
	1001108461	Ref.	S/N 0300140365 to Present	
	2792432	Ref.	<b>Sky Welder Hydraulic Diagram (Optional)</b>	
		Ref.	<b>Tow Hydraulic Diagram</b>	
	2792598/1283084	Ref.	S/N 0300096000 to S/N 0300115396	
	1001093941/ 1001091687	Ref.	S/N 0300115396 to S/N 0300140365	
	1001108467	Ref.	S/N 0300140365 to Present	

## SECTION 6 HYDRAULIC

ITEM #	PART NUMBER	QTY.	DESCRIPTION	REV.

# **SECTION 7 ELECTRICAL**

## SECTION 7 ELECTRICAL

**FIGURE 7-1. ELECTRICAL DIAGRAM LIST**

ITEM #	PART NUMBER	QTY.	DESCRIPTION	REV.
		Ref.	<b>Note: Diagrams with asterisks (*) are shown in the following pages. Diagrams not shown are available from the JLG Service Department.</b>	
		Ref.	<b>ALARM ELECTRICAL DIAGRAMS</b>	
	4933025/1282937	Ref.	<b>Motion Alarm</b>	
	4933026/1282937	Ref.	<b>Travel Alarm</b>	
	1283002	Ref.	<b>COLD WEATHER KITS WIRING DIAGRAM</b>	
	2902393/4933307	Ref.	<b>DRIVE/STEER CUTOUT WIRING DIAGRAM</b>	
	0270649	Ref.	<b>ETHER START WIRING DIAGRAM (DEUTZ ENGINE MACHINES)</b>	
		Ref.	<b>GENERATOR ELECTRICAL DIAGRAMS:</b>	
		Ref.	<b>(Note: See JLG Supplement p/n 3124242 for SkyPower Miller 7500W Generator)</b>	
	4933300	Ref.	<b>Caterpillar Engines (Without UGM)</b>	
	1001112588	Ref.	<b>Caterpillar Engines (With UGM)</b>	
	4933300	Ref.	<b>Deutz Engines (All Specs S/N 0300096000 to S/N 0300131127)</b>	
	4933300	Ref.	<b>Deutz Engines (60Hz S/N 0300131127 to Present)</b>	
	1001100027	Ref.	<b>Deutz Engines (50Hz S/N 0300131127 to Present)</b>	
	1001100027	Ref.	<b>Perkins Engines (50Hz Without UGM)</b>	
	1001112743	Ref.	<b>Perkins Engines (50Hz With UGM)</b>	
	4933350	Ref.	<b>GM Engines</b>	
	4933217	Ref.	<b>GLOW PLUG WIRING DIAGRAM (DEUTZ ENGINE MACHINES)</b>	
	4933219	Ref.	<b>LIGHTS ELECTRICAL DIAGRAM</b>	
	3740049	1	Relay	
	4922665	Ref.	<b>PLATFORM ELECTRICAL DIAGRAM</b>	
	4933313	Ref.	<b>PLATFORM FLOODLIGHTS ELECTRICAL DIAGRAM</b>	
	0270814	Ref.	<b>PLATFORM WORKLIGHTS ELECTRICAL DIAGRAM</b>	
		Ref.	<b>STANDARD ELECTRICAL DIAGRAMS</b>	
		Ref.	<b>Without UGM:</b>	
	4933353	Ref.	<b>Caterpillar Engine Machines (S/N 0300096000 to S/N 0300099084)</b>	
	4933380	Ref.	<b>Caterpillar/Perkins Engine Machines (S/N 0300099084 to Present)</b>	
	4933325	Ref.	<b>Deutz Engine Machines (S/N 0300096000 to S/N 0300099084)</b>	
	4933379	Ref.	<b>Deutz Engine Machines (S/N 0300099084 to Present)</b>	
	4933348	Ref.	<b>GM Engine Machines (S/N 0300096000 to S/N 0300099084)</b>	
	4933378	Ref.	<b>GM Engine Machines (S/N 0300099084 to Present)</b>	

## SECTION 7 ELECTRICAL

**FIGURE 7-1. ELECTRICAL DIAGRAM LIST (CONTINUED)**

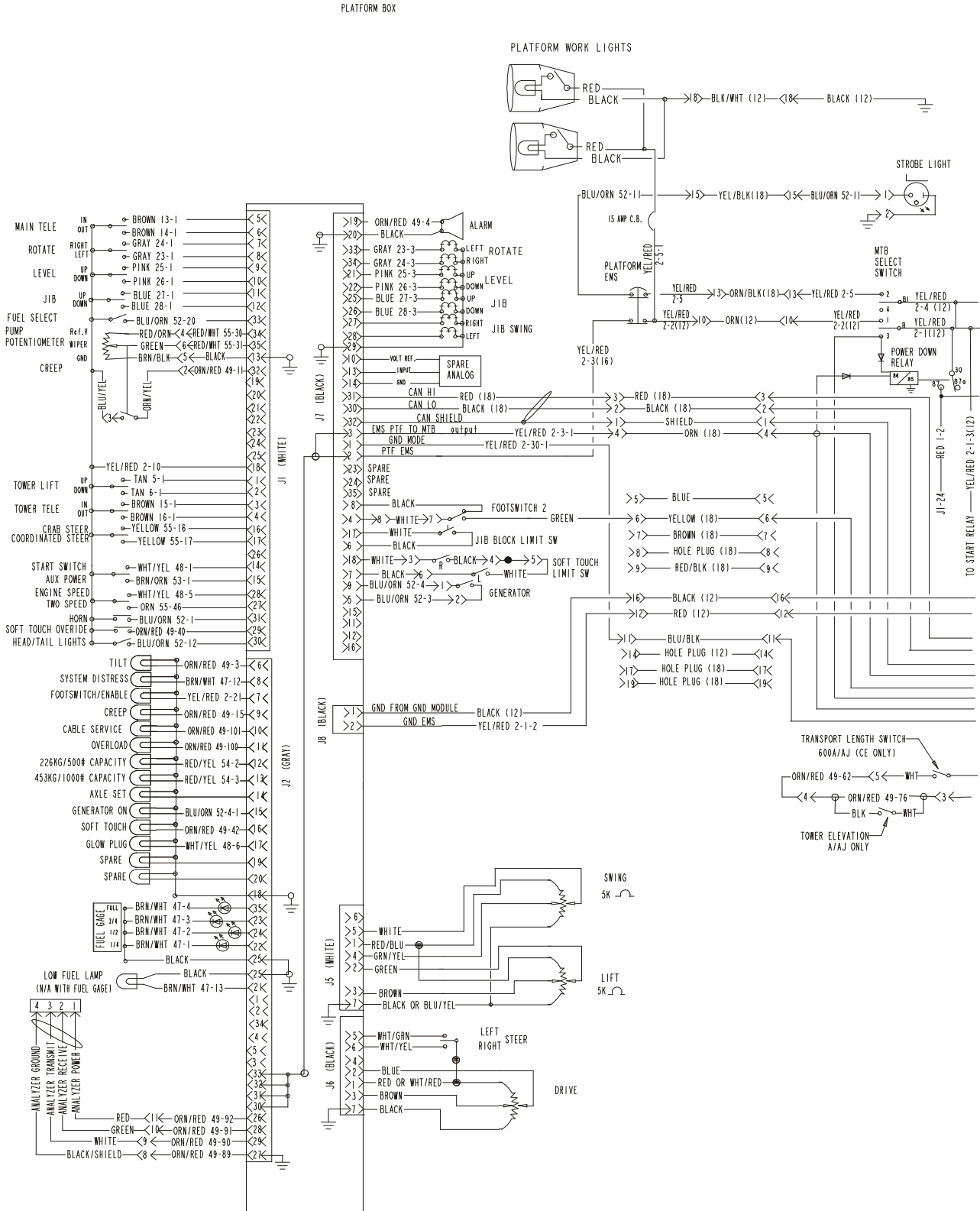
ITEM #	PART NUMBER	QTY.	DESCRIPTION	REV.
		Ref.	<b>With UGM:</b>	
	1001102901	Ref.	<b>Caterpillar/Perkins Engine Machines</b>	
	1001109121	Ref.	<b>Deutz Engine Machines</b>	
	1001109200	Ref.	<b>Deutz Engine Machines</b>	
		Ref.	<b>STANDARD ELECTRICAL SCHEMATICS</b>	
		Ref.	<b>Without UGM:</b>	
	1870132*	Ref.	<b>Caterpillar Engine Machines (S/N 0300096000 to S/N 0300099084)</b>	
	1870191*	Ref.	<b>Deutz &amp; GM Engine Machines (S/N 0300096000 to S/N 0300099084)</b>	
	1870215*	Ref.	<b>GM Engine Machines (S/N 0300099084 to Present)</b>	
	1870215*	Ref.	<b>Caterpillar, Deutz &amp; Perkins Engine Machines (S/N 0300099084 to Present)</b>	
		Ref.	<b>With UGM:</b>	
	1001108879*	Ref.	<b>Caterpillar, Deutz, GM &amp; Perkins Engine Machines</b>	
	1001131992	Ref.	<b>GM Engine Schematic (Engine Schematic Only. P/N 1001110345 is Schematic for complete machine)</b>	
	4933237	Ref.	<b>SOFT TOUCH ELECTRICAL DIAGRAM</b>	
	4933240	Ref.	<b>SKY WELDER ELECTRICAL DIAGRAM (OPTIONAL)</b>	



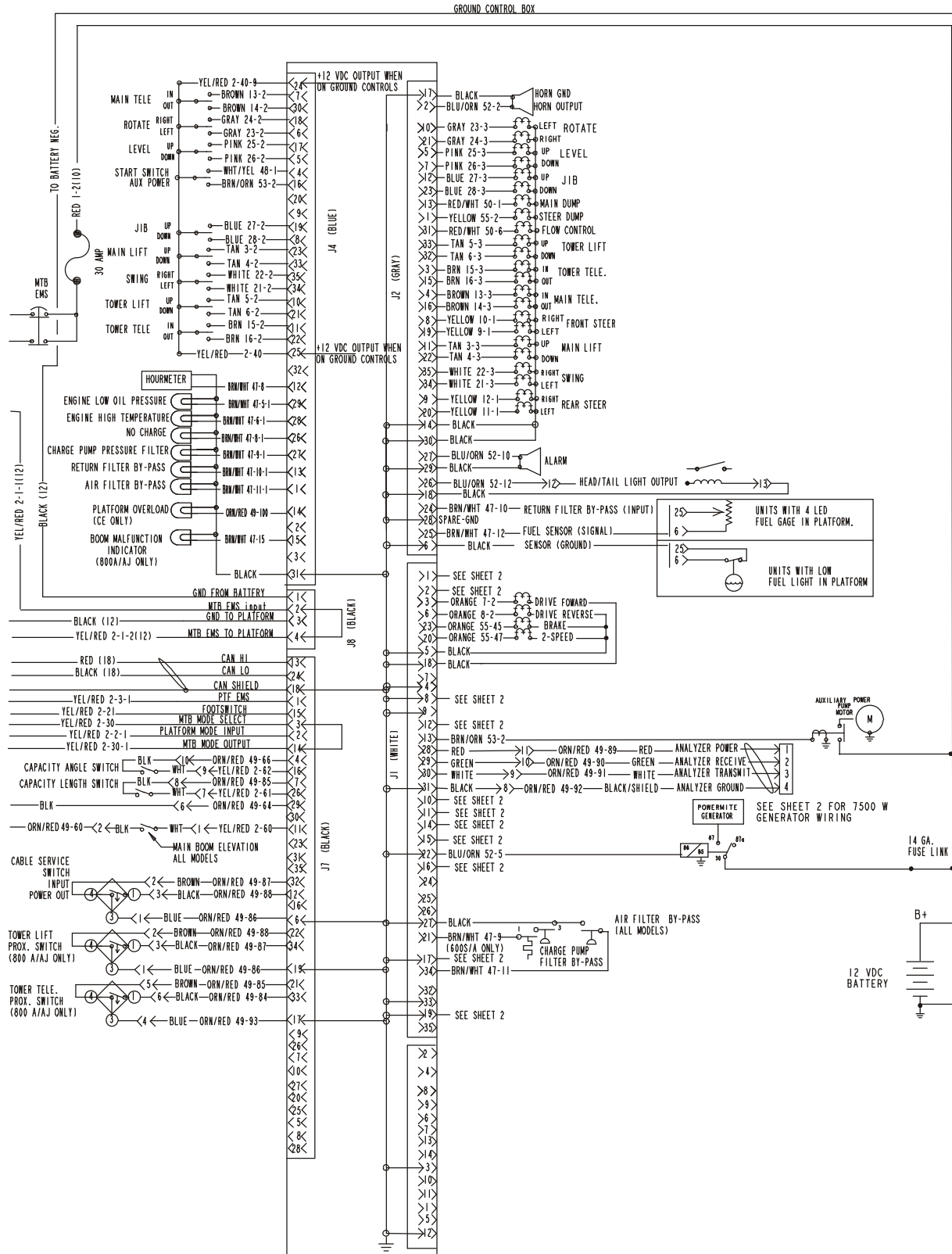
# SECTION 7 ELECTRICAL

**FIGURE 7-2. ELECTRICAL SCHEMATIC - CATERPILLAR ENGINE MACHINES WITHOUT UGM (S/N 030009600 TO S/N 0300099084)**

**NOTE: FOR GROUND MODULE IDENTIFICATION, REFER TO REVISION LOG PAGE A**

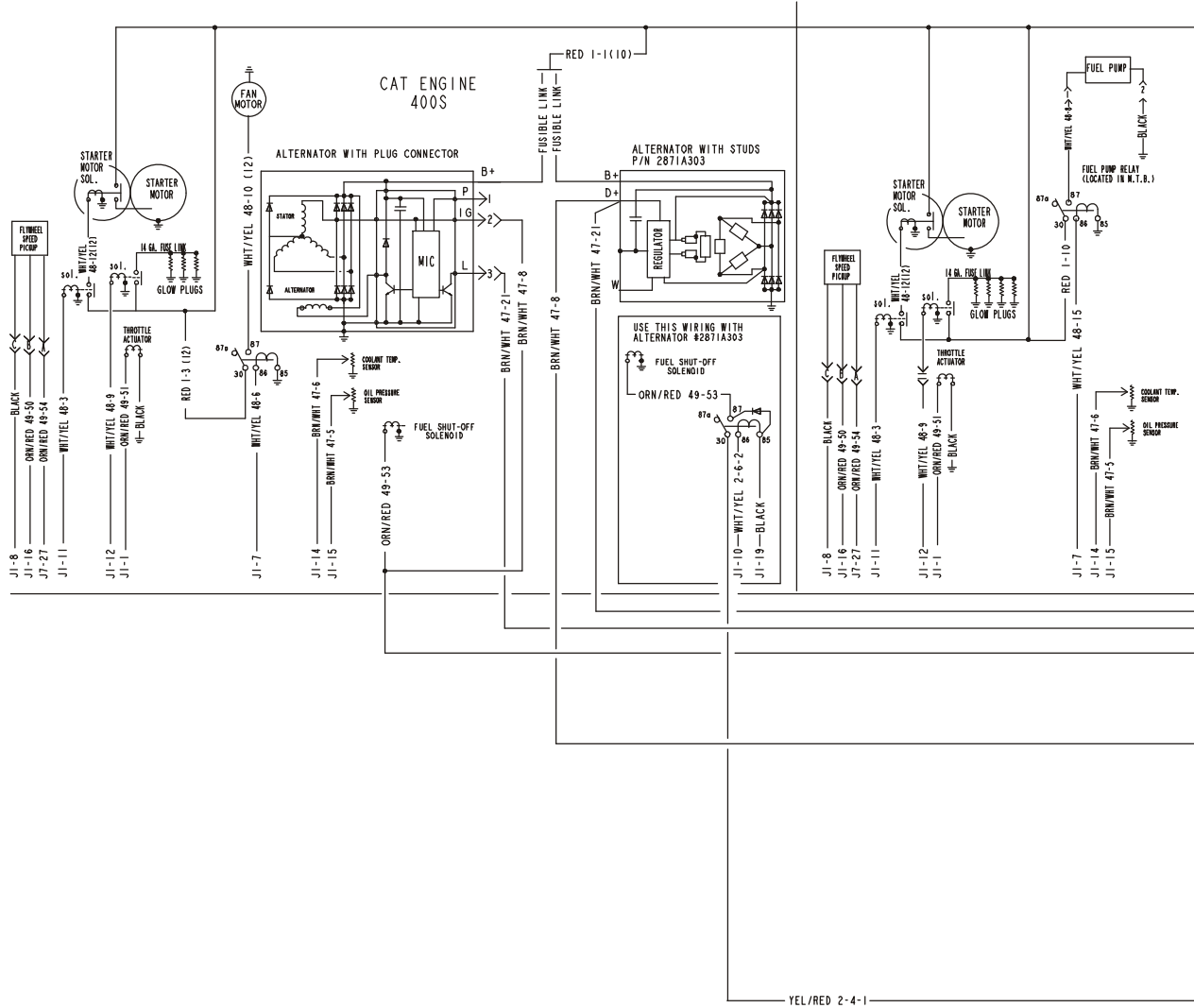


# SECTION 7 ELECTRICAL

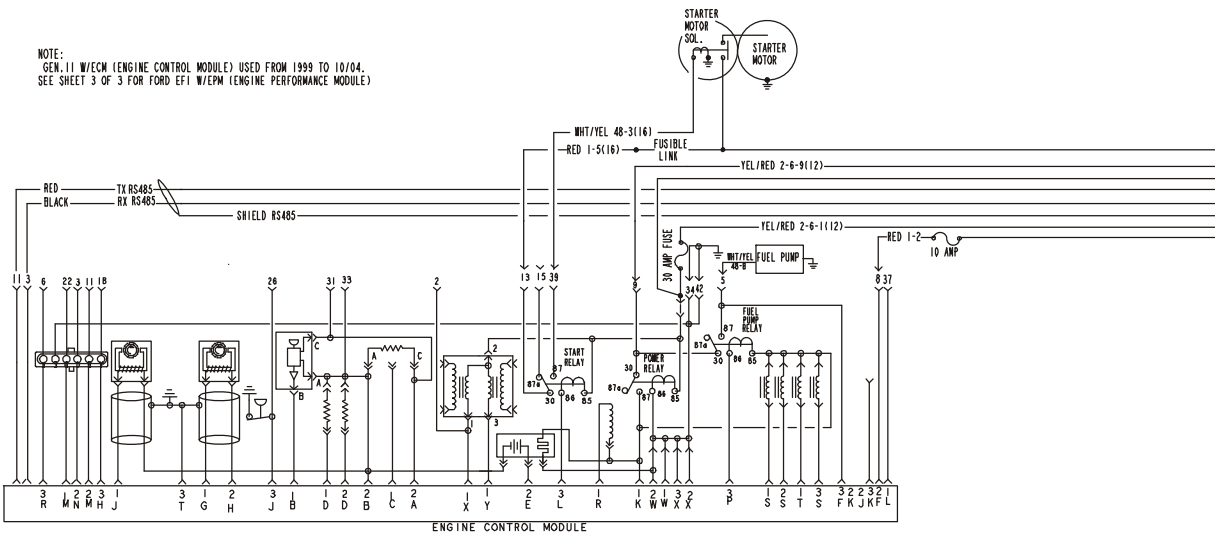


1870132 N

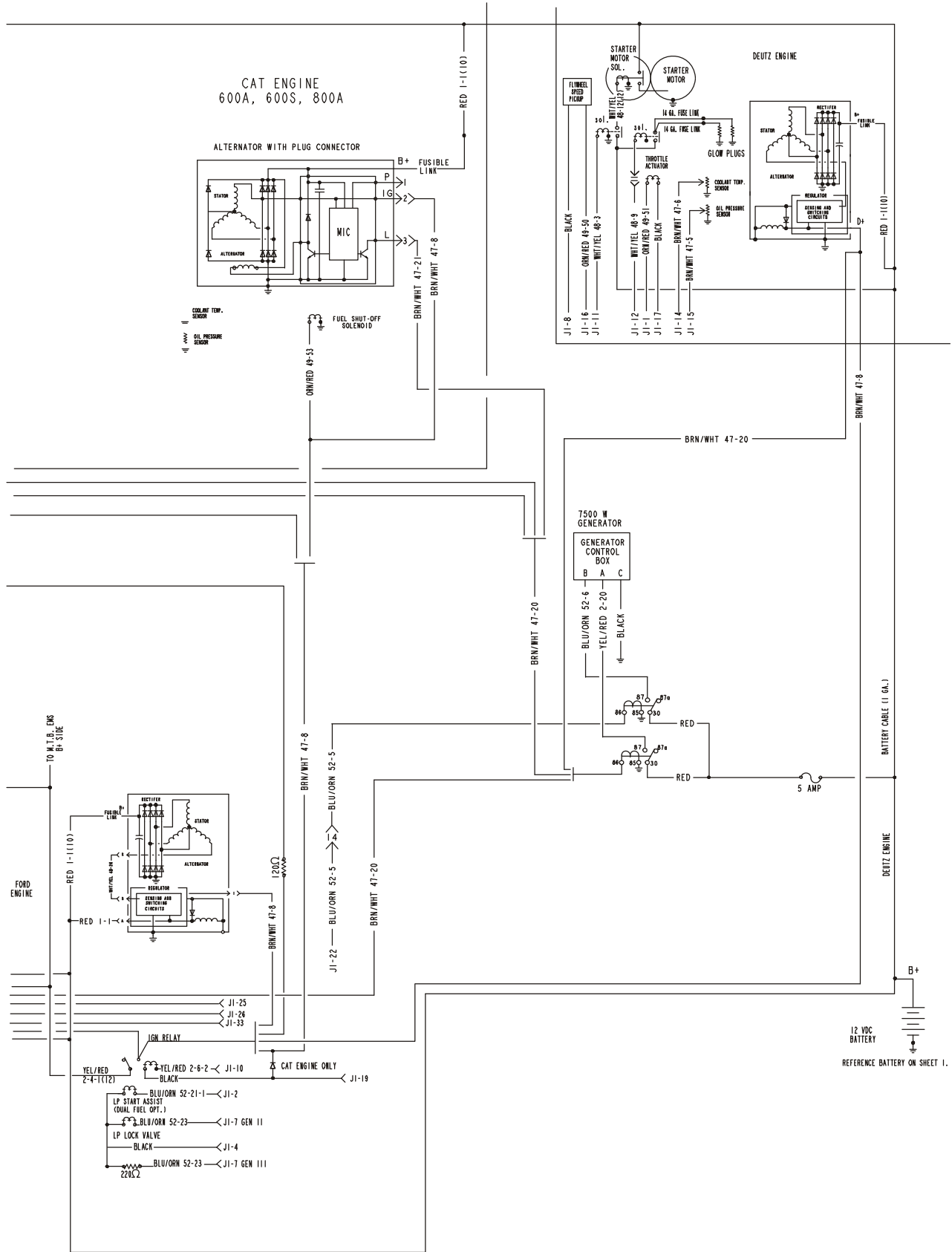
# SECTION 7 ELECTRICAL



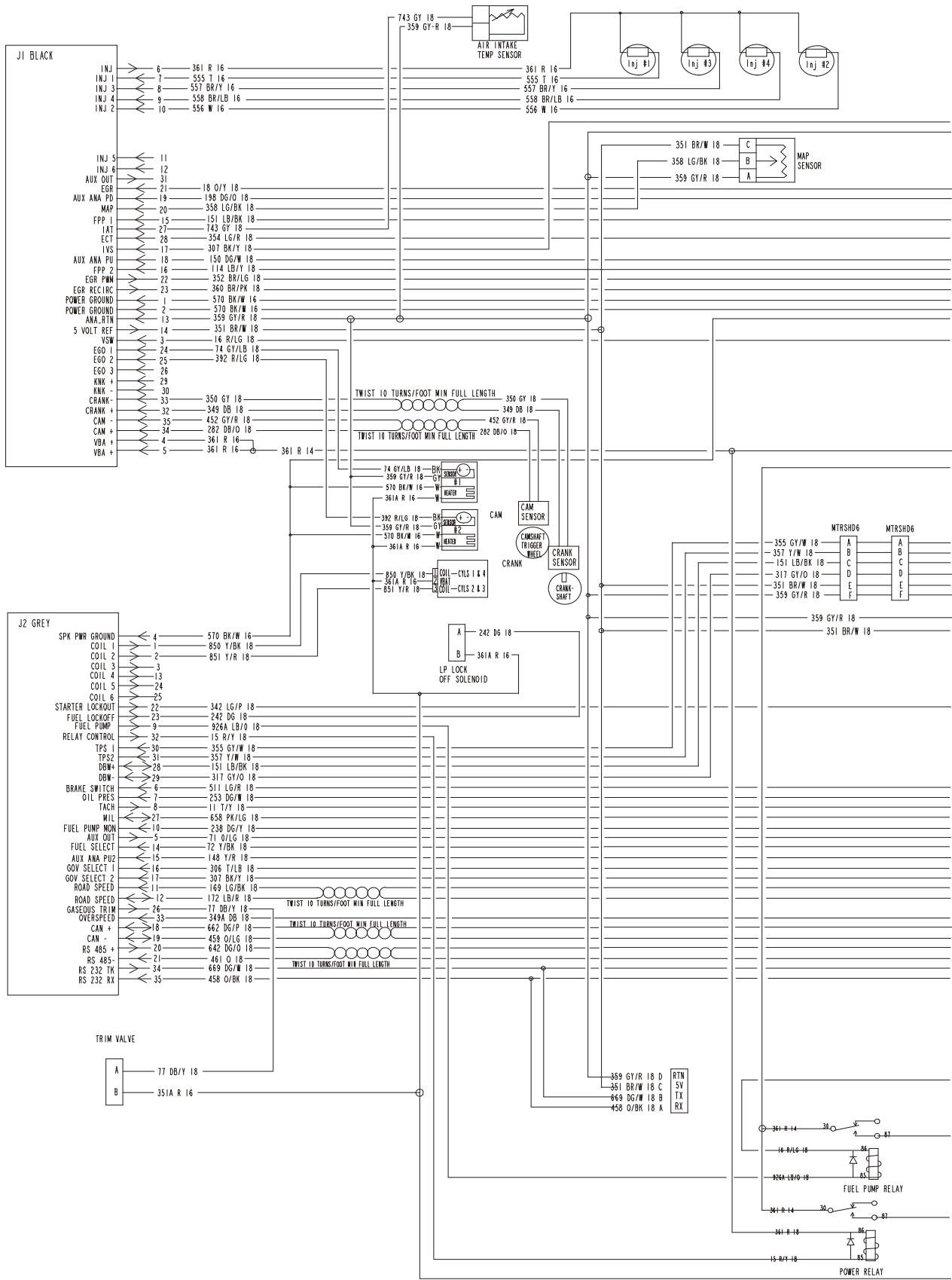
NOTE:  
GEN. 11 W/ECM (ENGINE CONTROL MODULE) USED FROM 1999 TO 10/04.  
SEE SHEET 3 OF 3 FOR FORD EFI W/EPM (ENGINE PERFORMANCE MODULE)



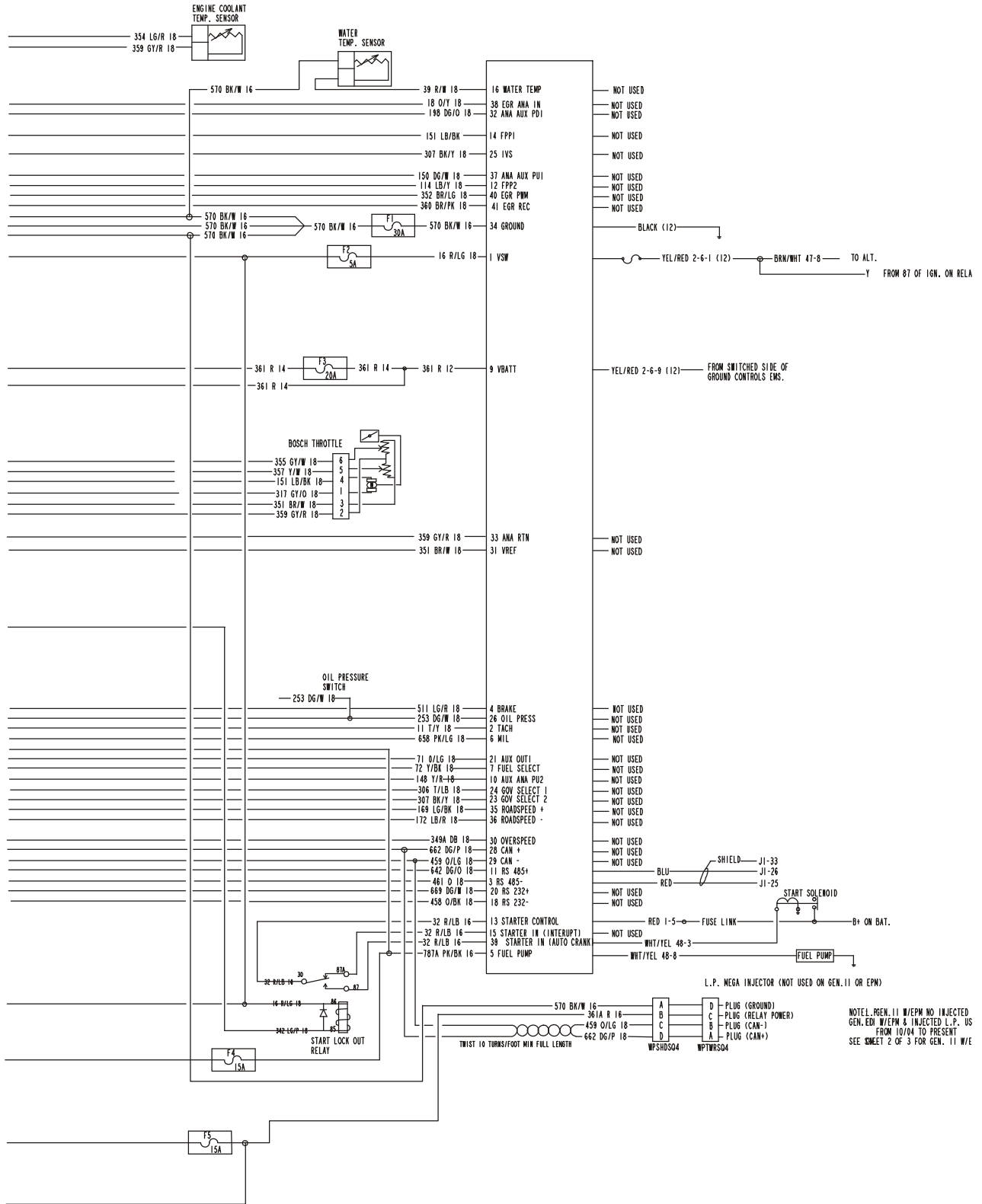
# SECTION 7 ELECTRICAL



# SECTION 7 ELECTRICAL



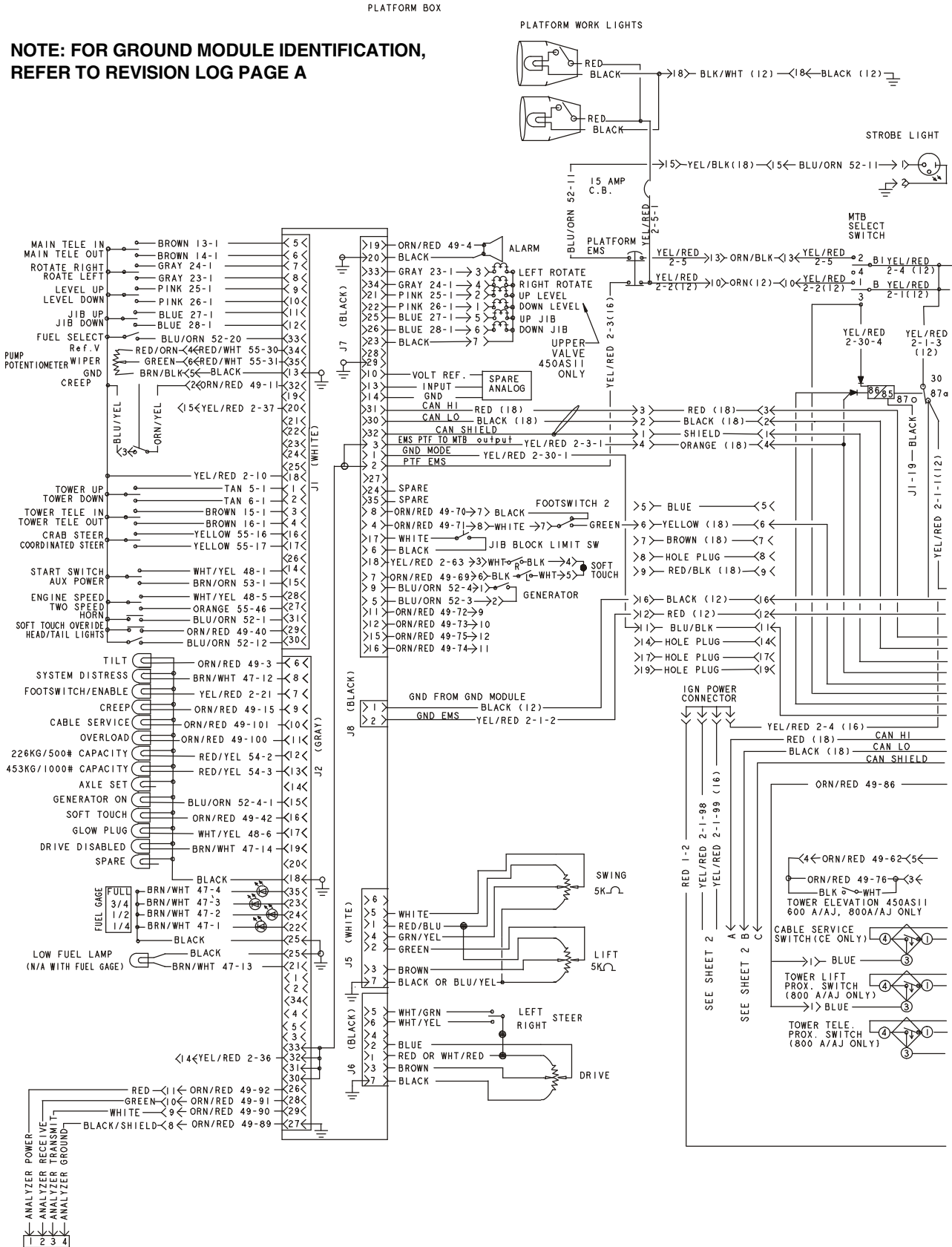
# SECTION 7 ELECTRICAL



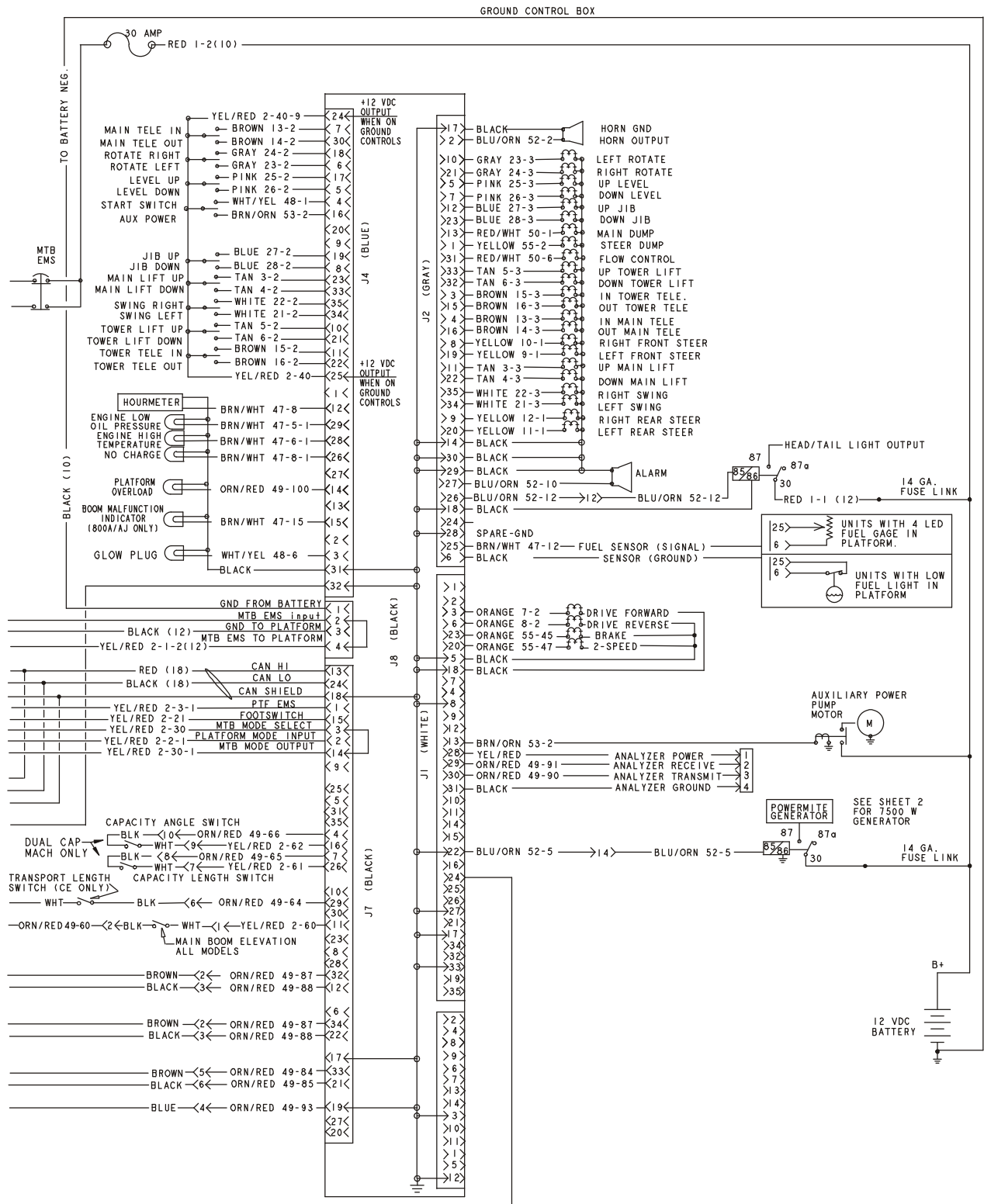
# SECTION 7 ELECTRICAL

**FIGURE 7-3. ELECTRICAL SCHEMATIC - DEUTZ & GM ENGINES WITHOUT UGM  
(S/N 03009600 TO S/N 030099084)**

**NOTE: FOR GROUND MODULE IDENTIFICATION,  
REFER TO REVISION LOG PAGE A**



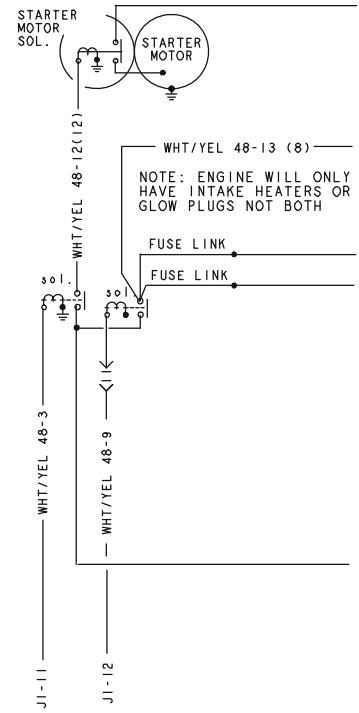
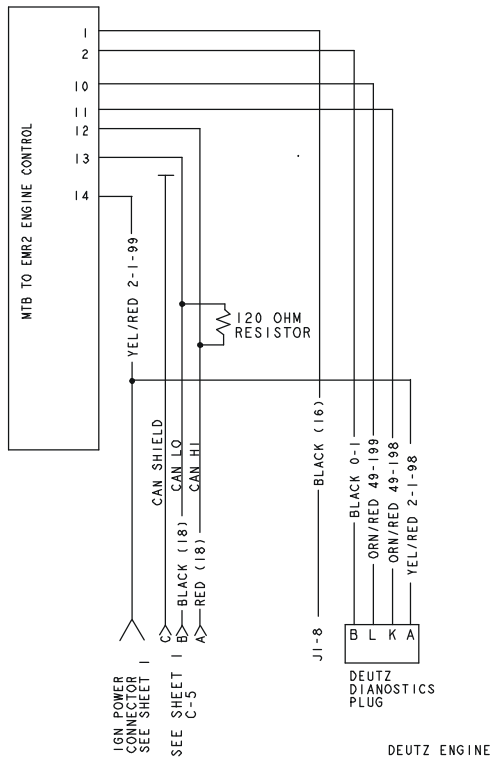
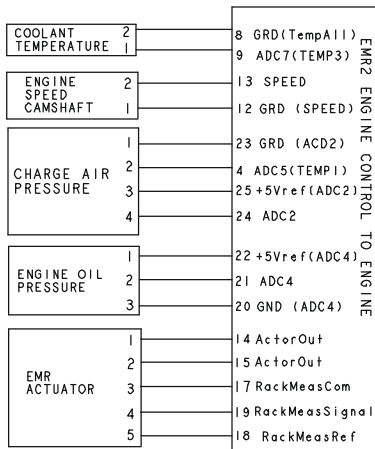
# SECTION 7 ELECTRICAL



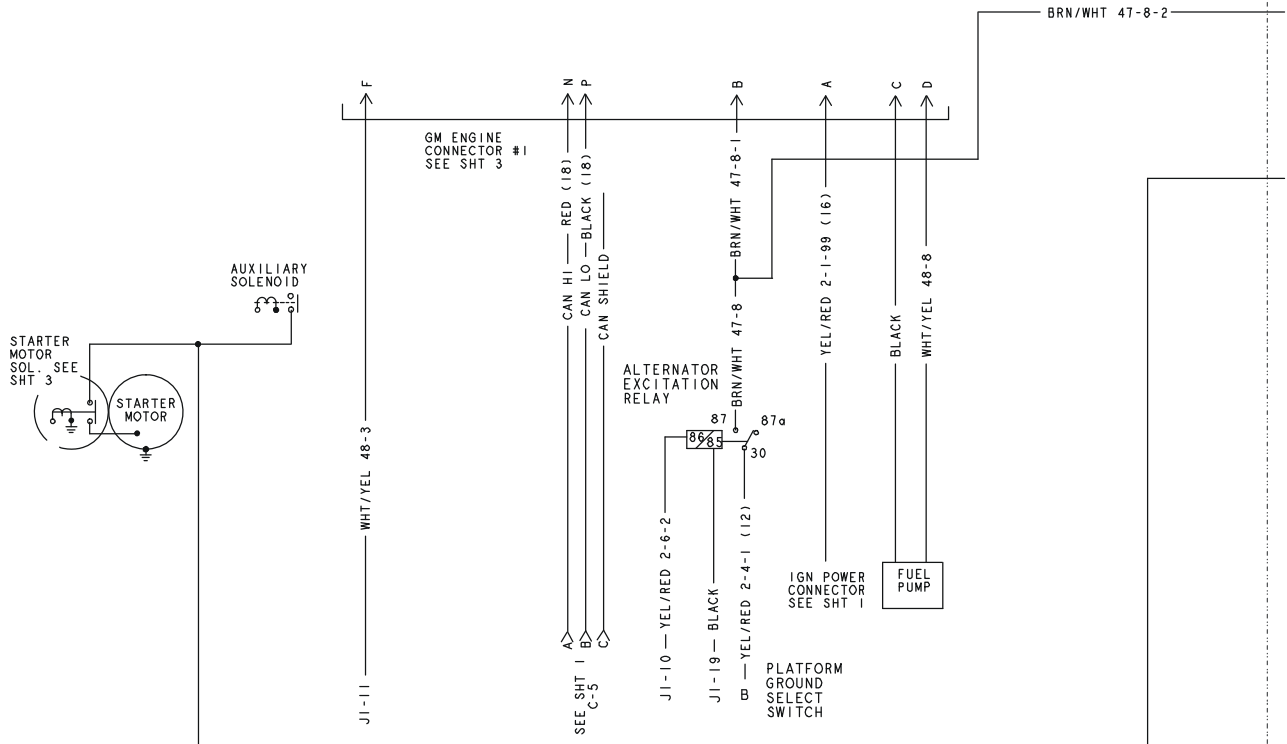
1870191 G



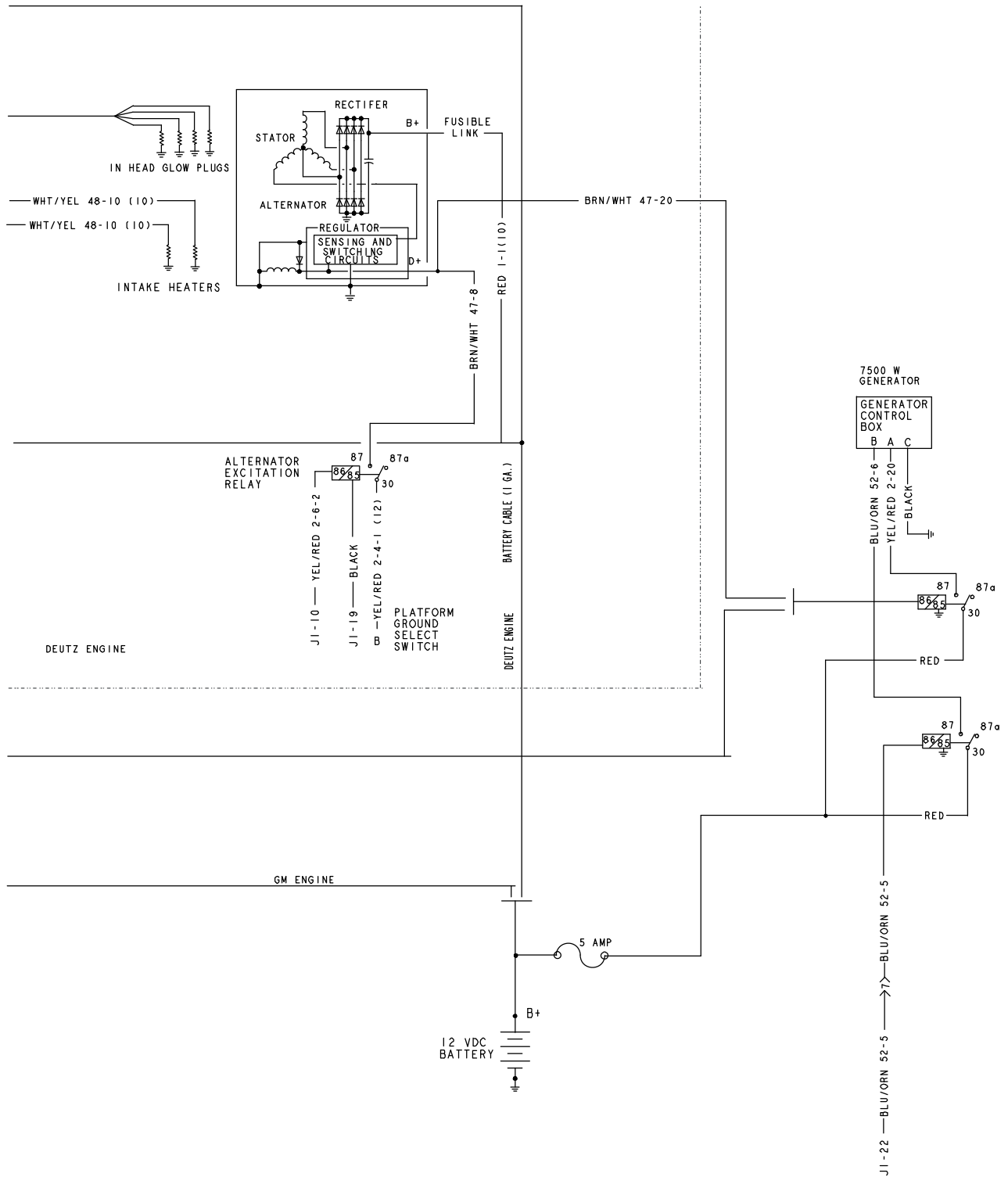
# SECTION 7 ELECTRICAL



## GM ENGINE

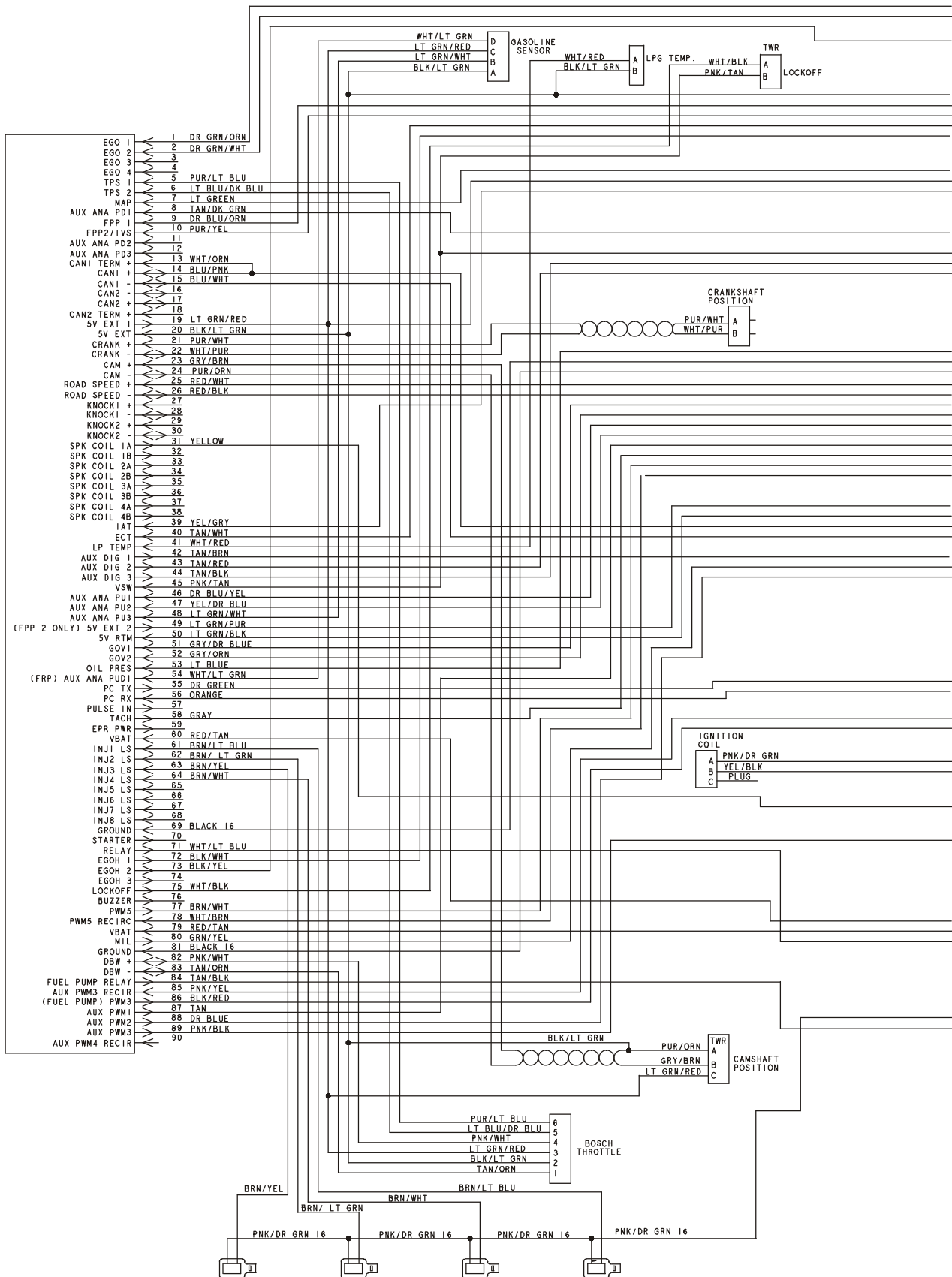


# SECTION 7 ELECTRICAL

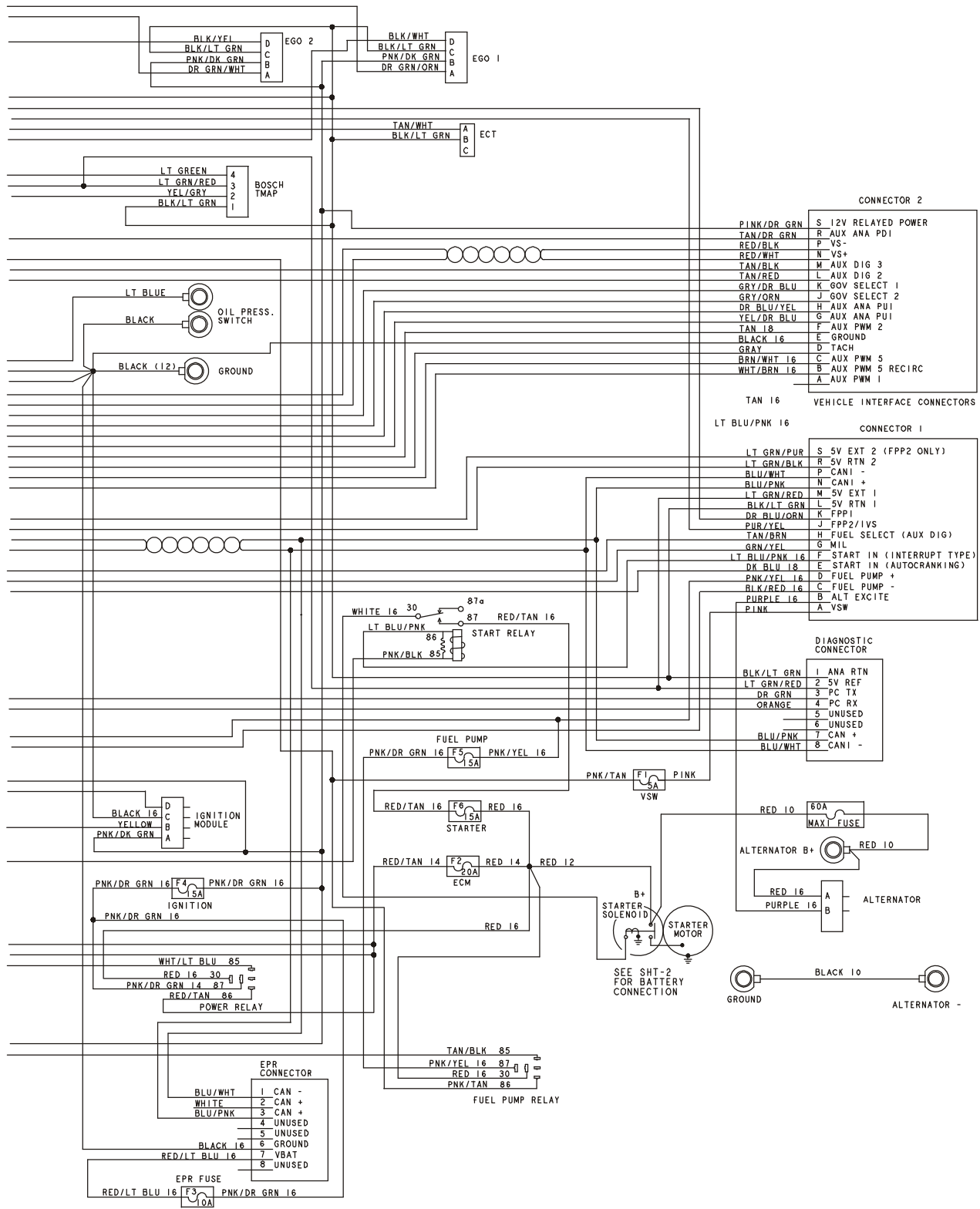


1870191 G

# SECTION 7 ELECTRICAL



# SECTION 7 ELECTRICAL

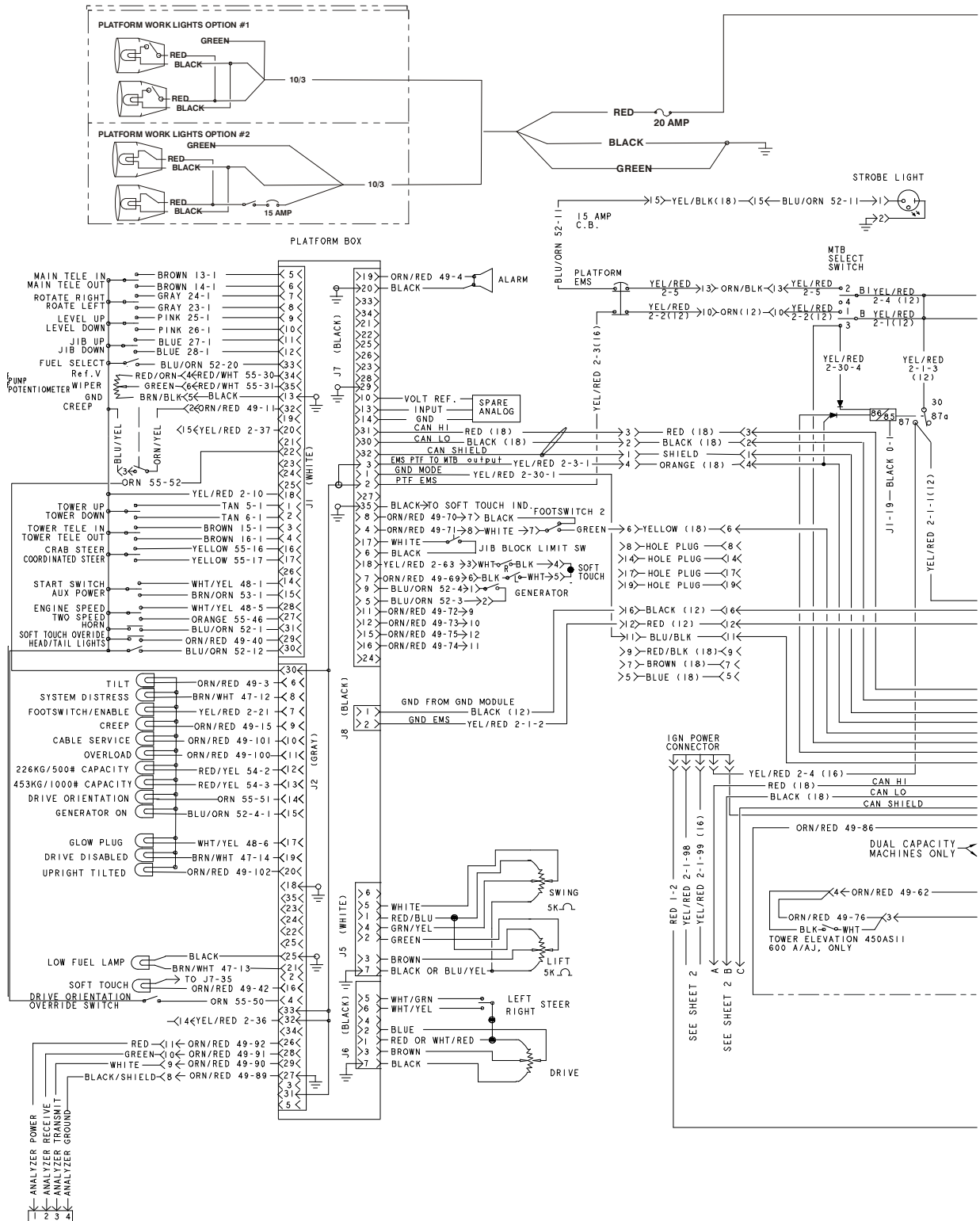


1870191 G

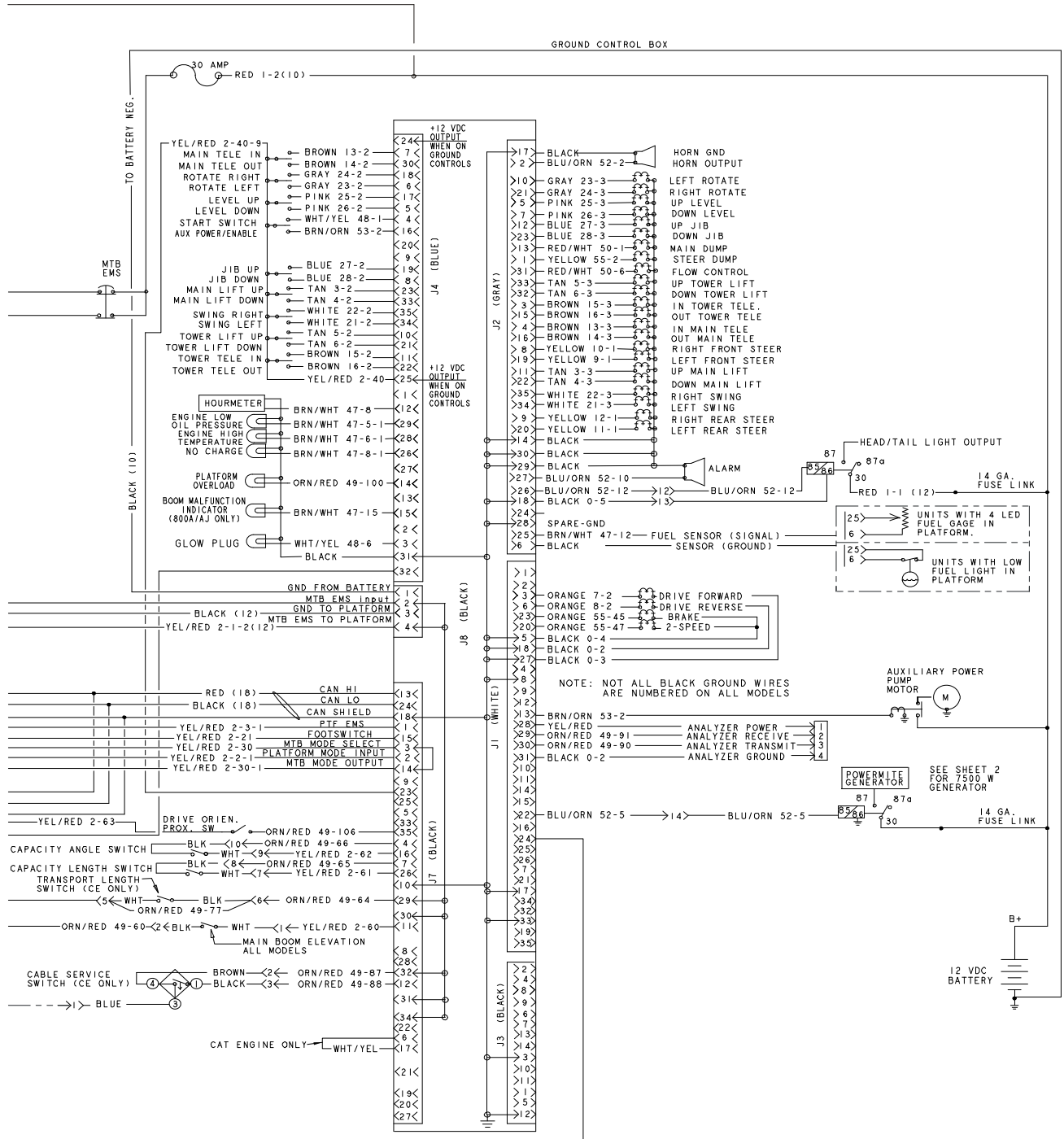
# SECTION 7 ELECTRICAL

**FIGURE 7-4. ELECTRICAL SCHEMATIC - CATERPILLAR, DEUTZ & GM ENGINE WITHOUT UGM (S/N 0300099084 TO PRESENT)**

**NOTE: FOR GROUND MODULE IDENTIFICATION, REFER TO REVISION LOG PAGE A**

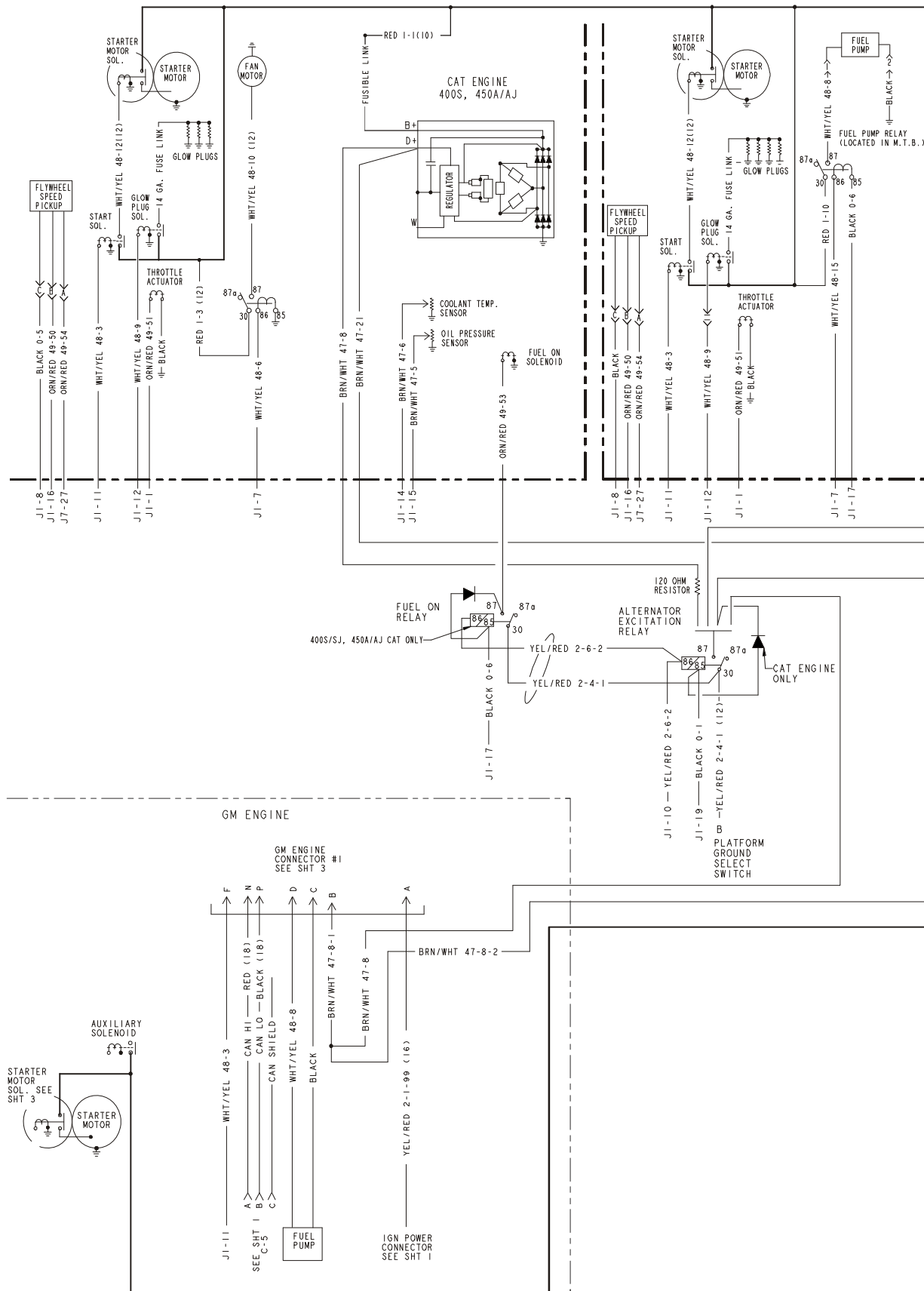


# SECTION 7 ELECTRICAL

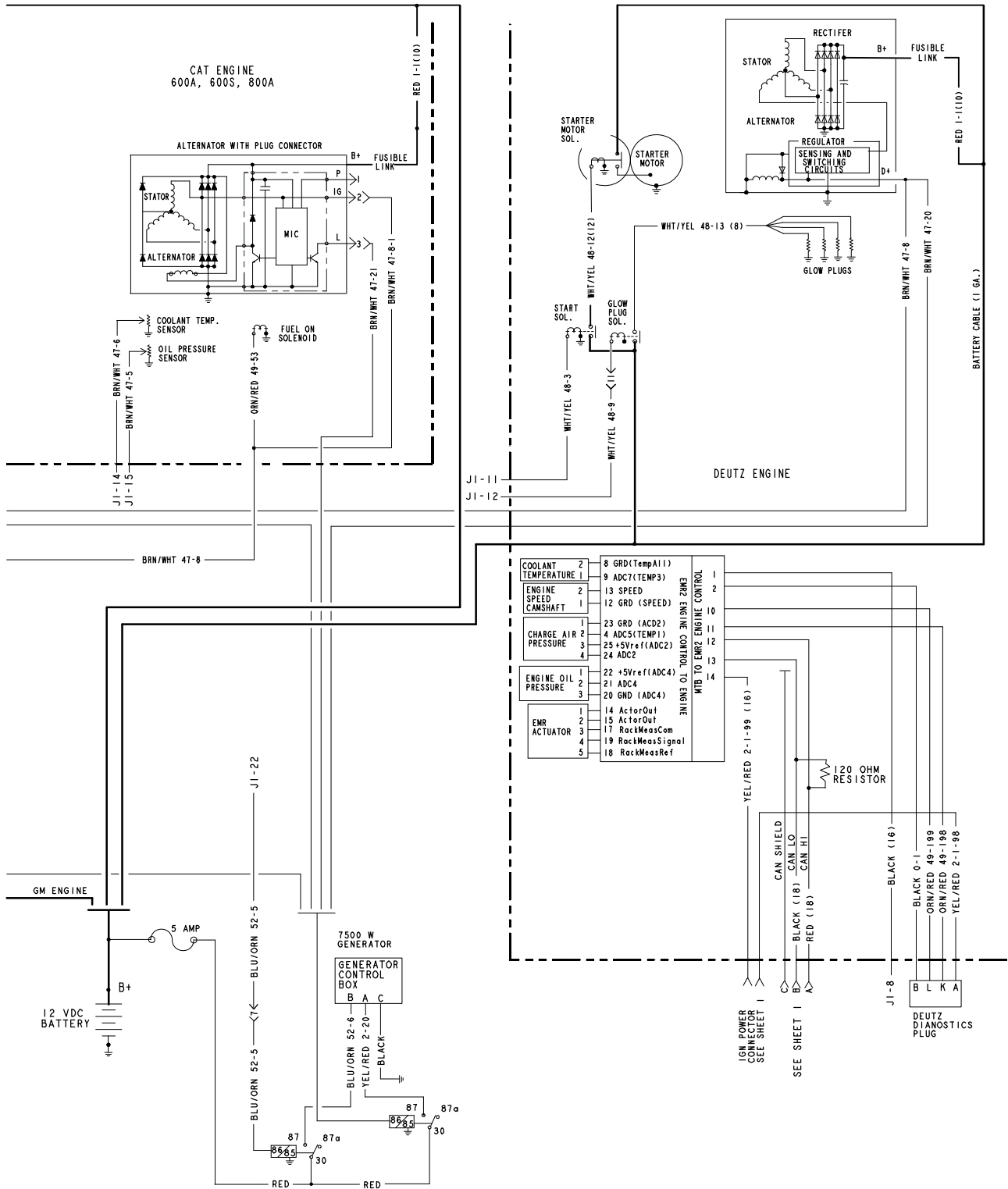


1870215 D

# SECTION 7 ELECTRICAL



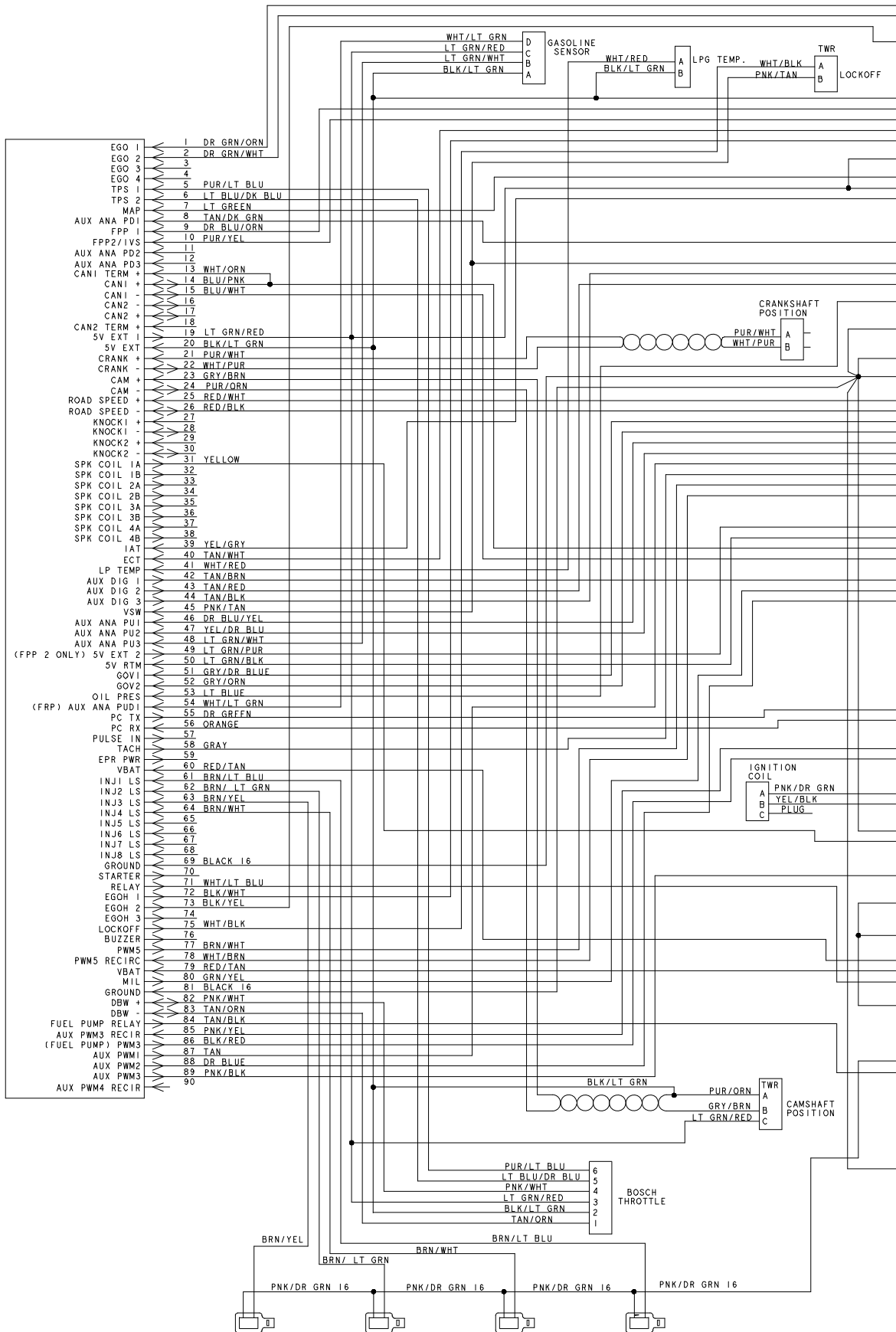
# SECTION 7 ELECTRICAL



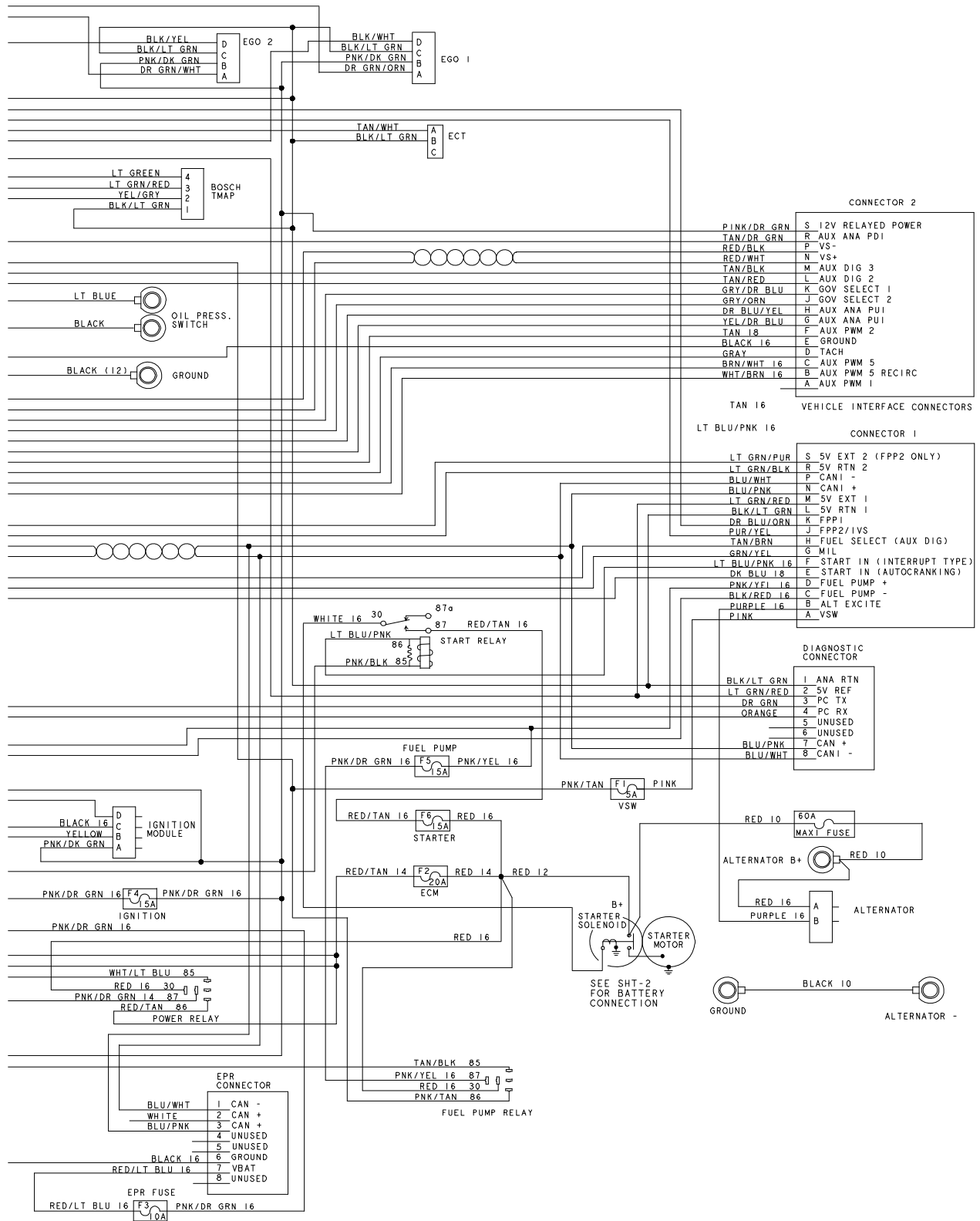
1870215 D



# SECTION 7 ELECTRICAL



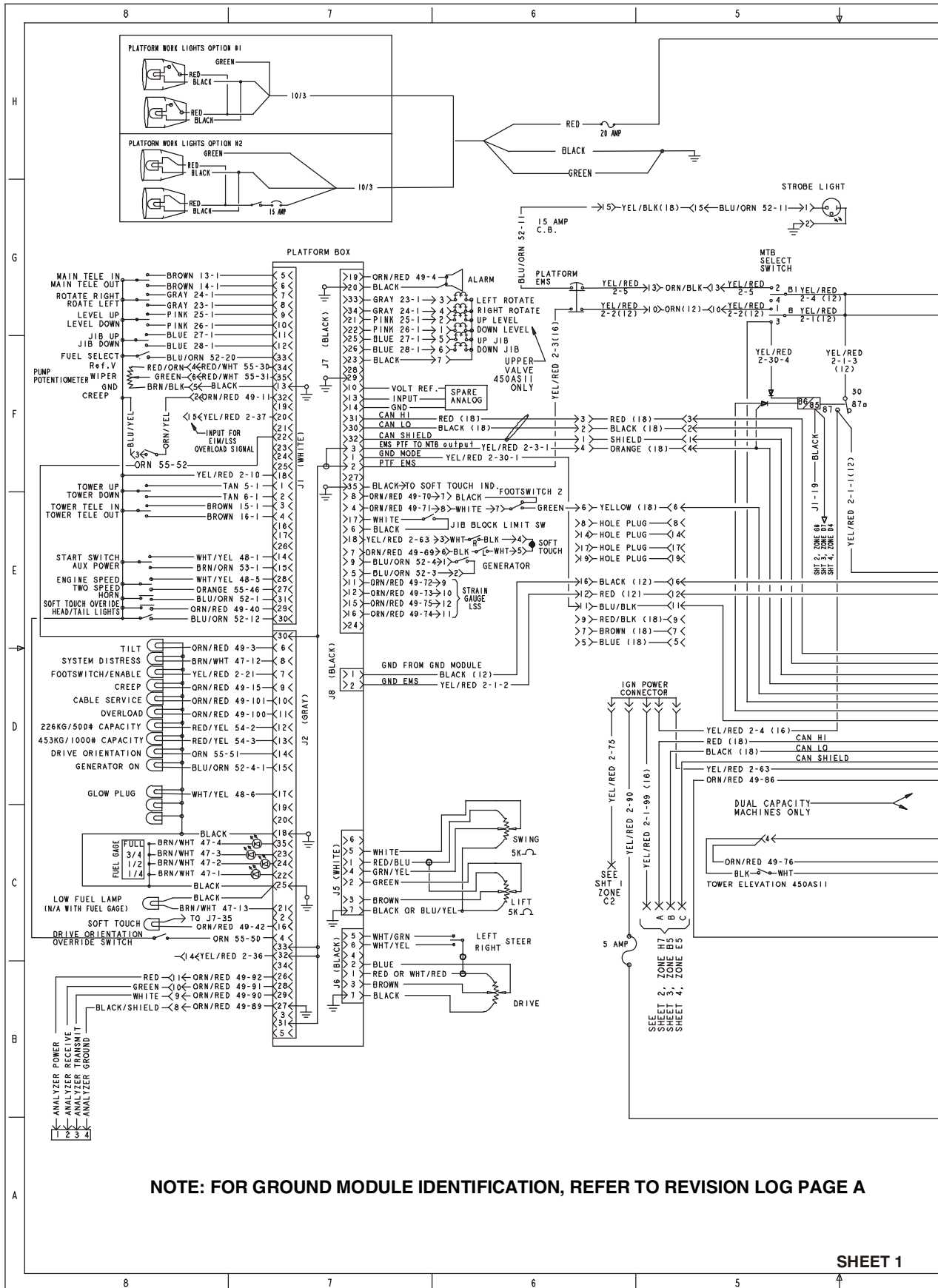
# SECTION 7 ELECTRICAL



1870215 D

# SECTION 7 ELECTRICAL

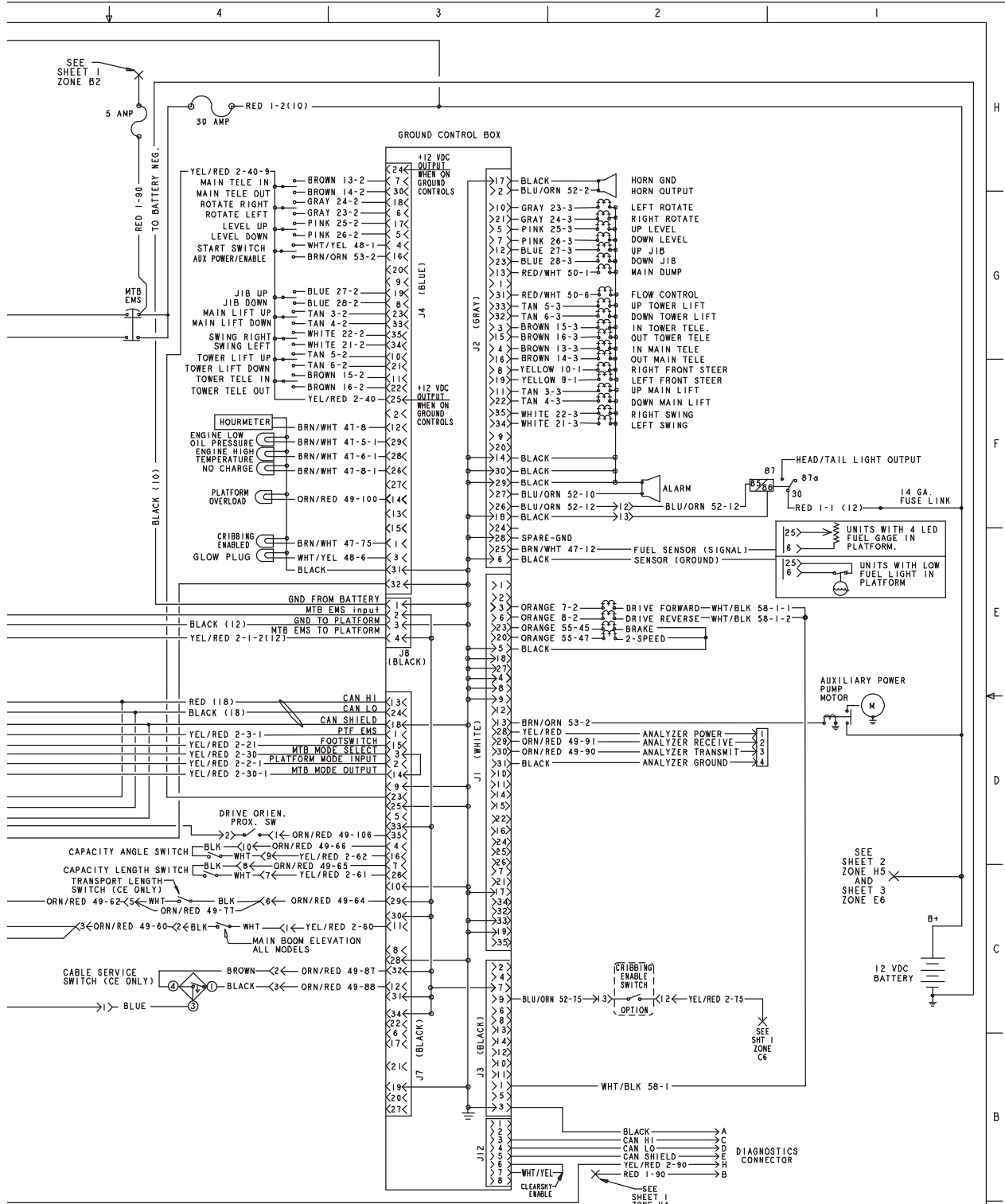
## FIGURE 7-5. ELECTRICAL SCHEMATIC - CATERPILLAR, DEUTZ & GM ENGINE WITH UGM



NOTE: FOR GROUND MODULE IDENTIFICATION, REFER TO REVISION LOG PAGE A

SHEET 1

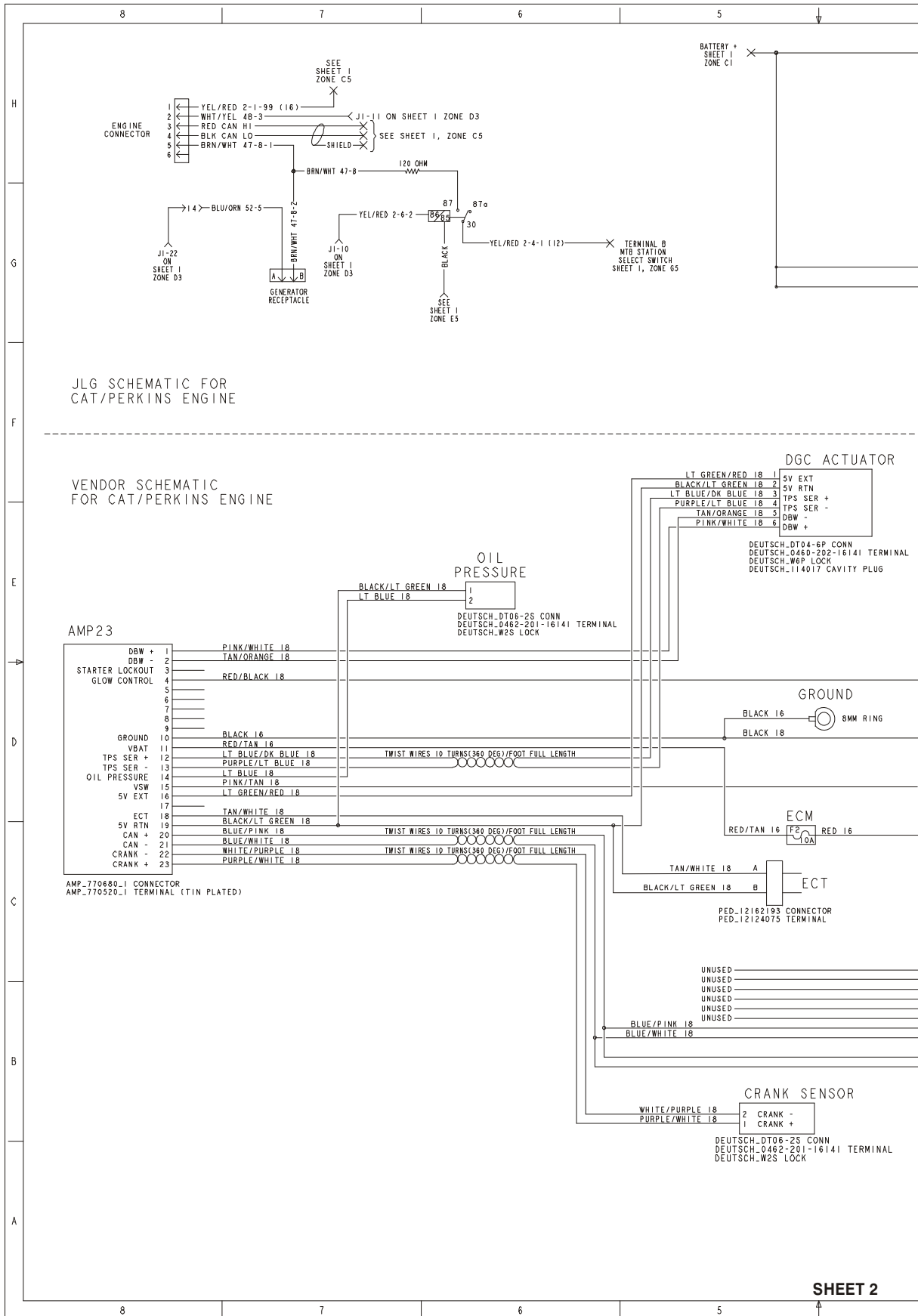
# SECTION 7 ELECTRICAL



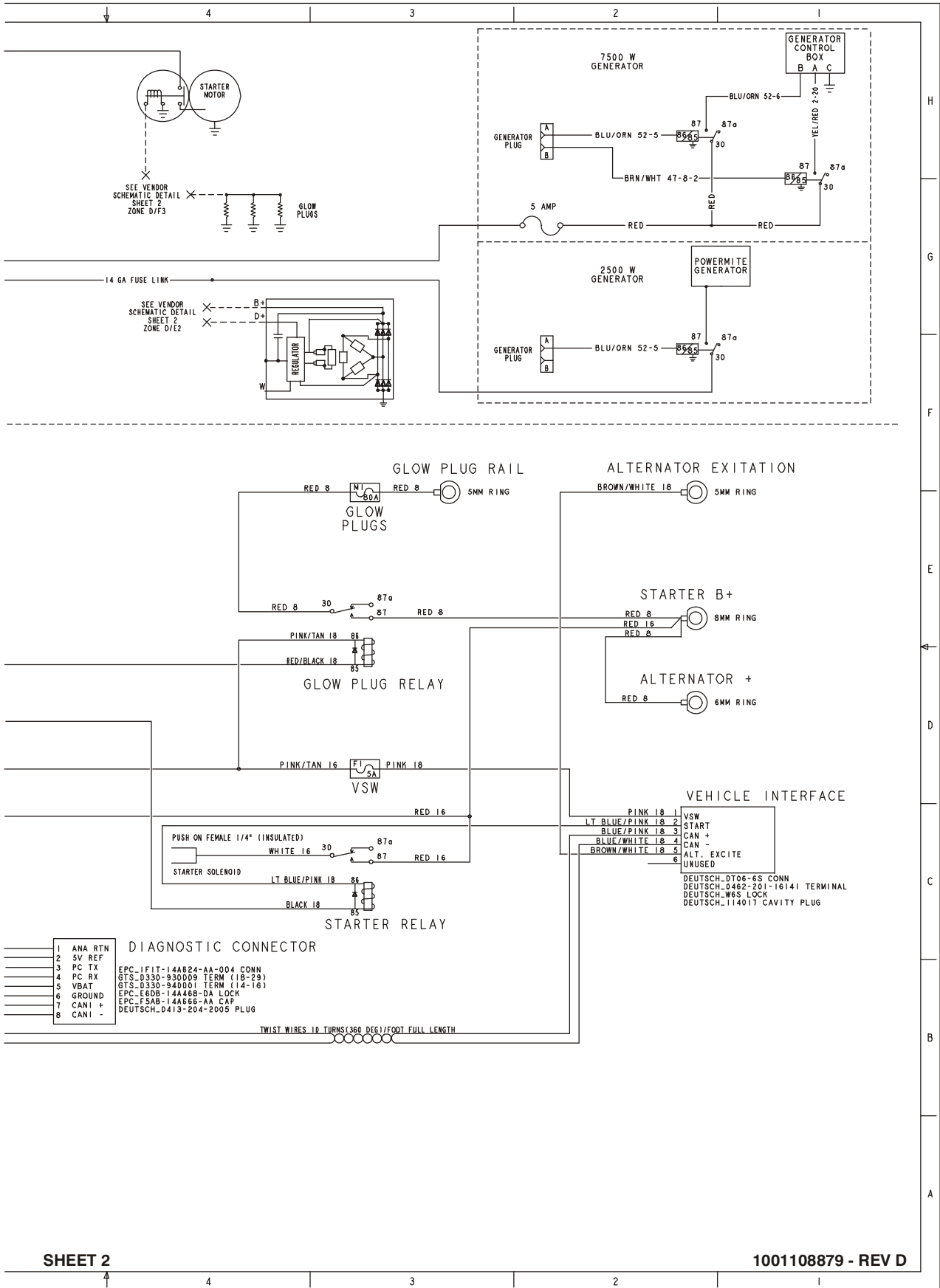
SHEET 1

1001108879 - REV D

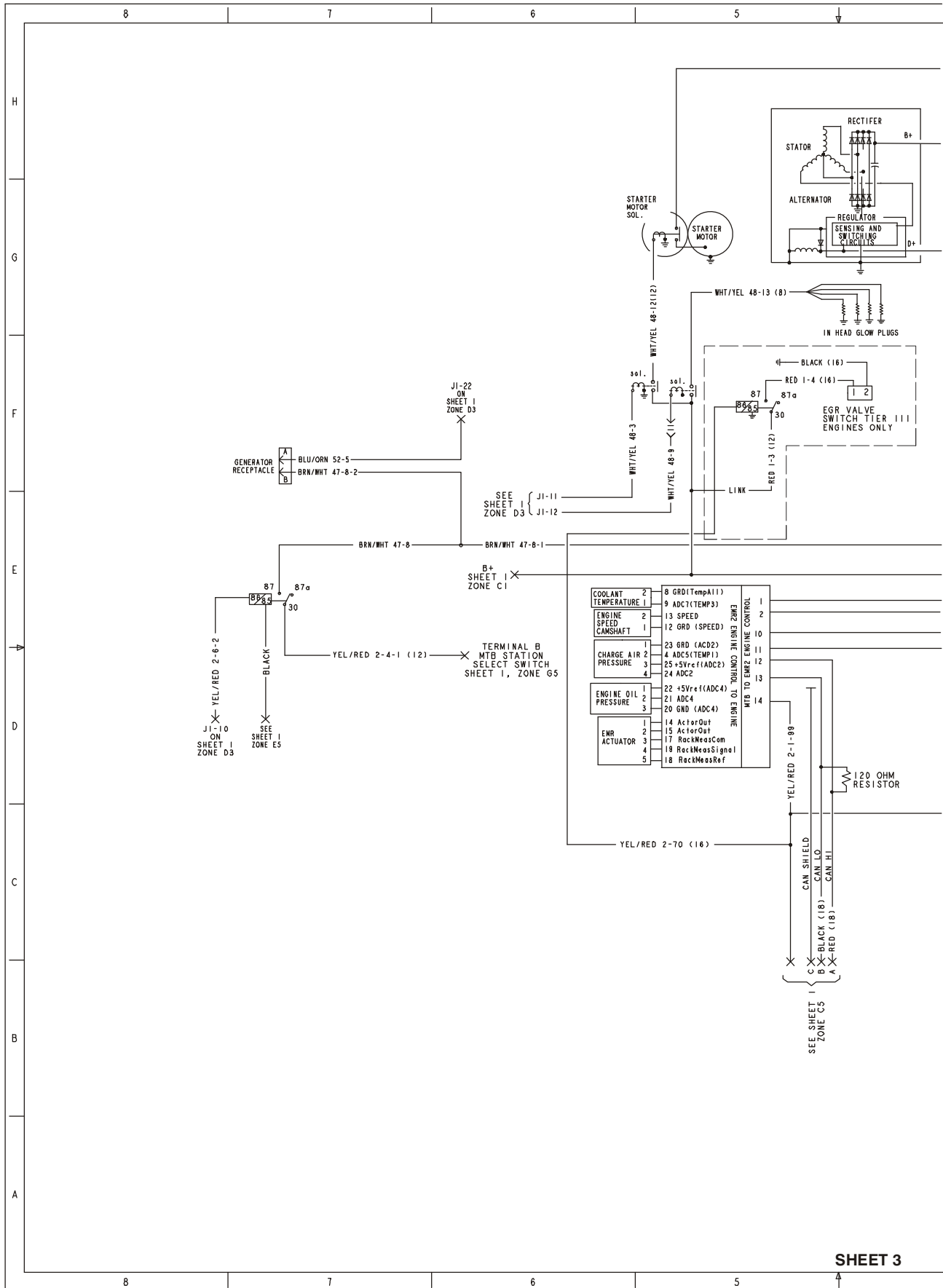
# SECTION 7 ELECTRICAL



# SECTION 7 ELECTRICAL

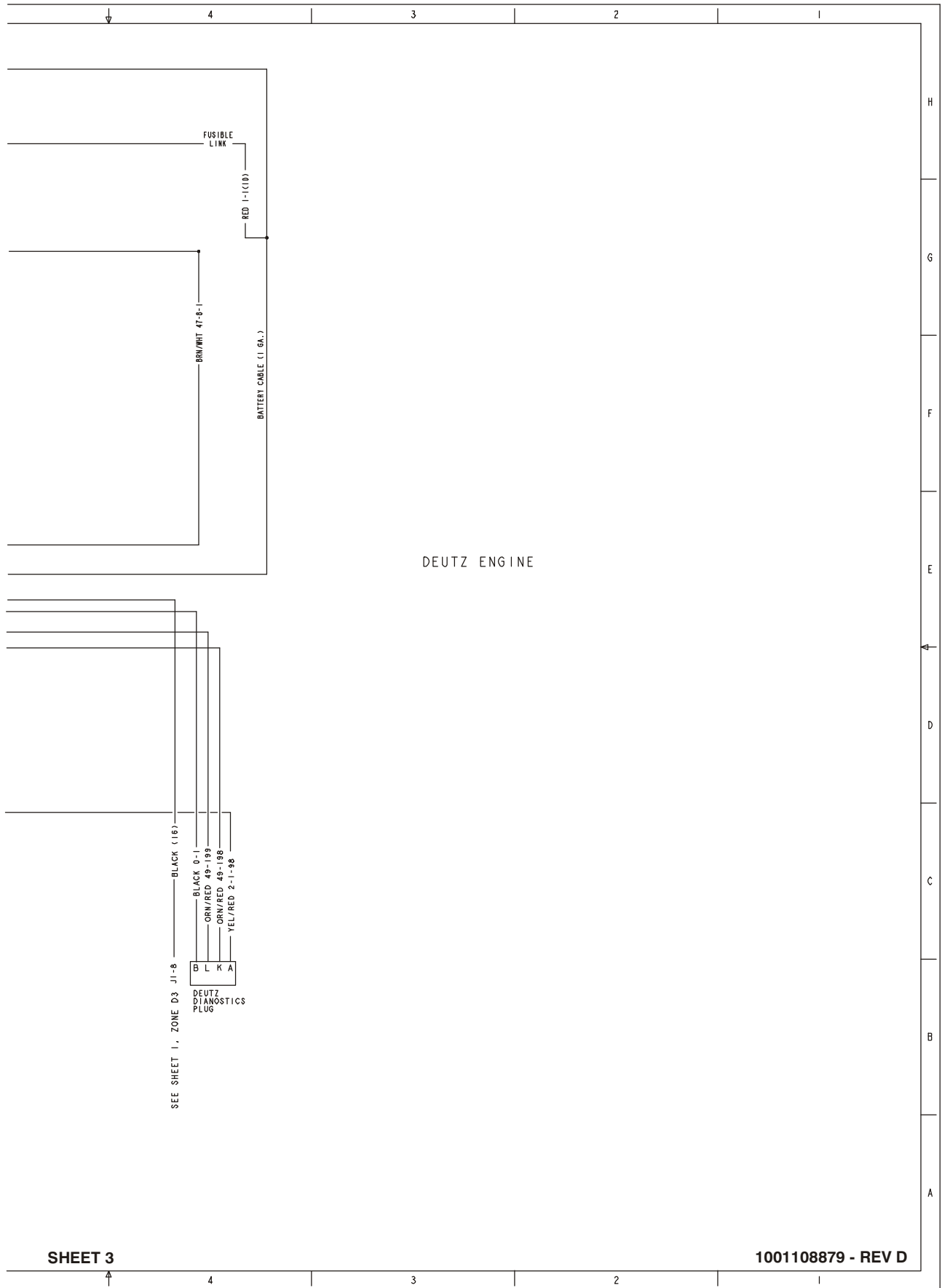


# SECTION 7 ELECTRICAL



SHEET 3

# SECTION 7 ELECTRICAL

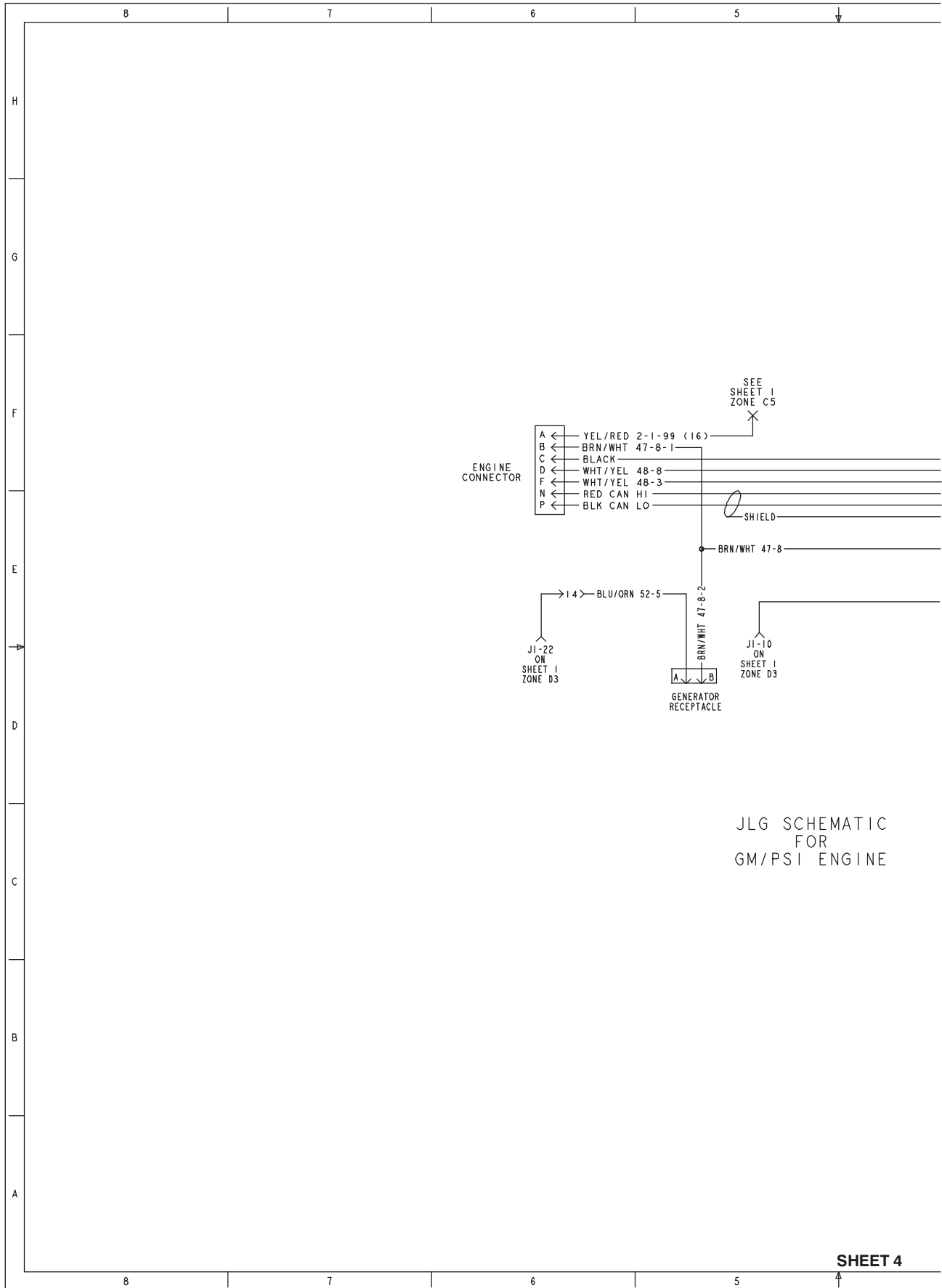


SHEET 3

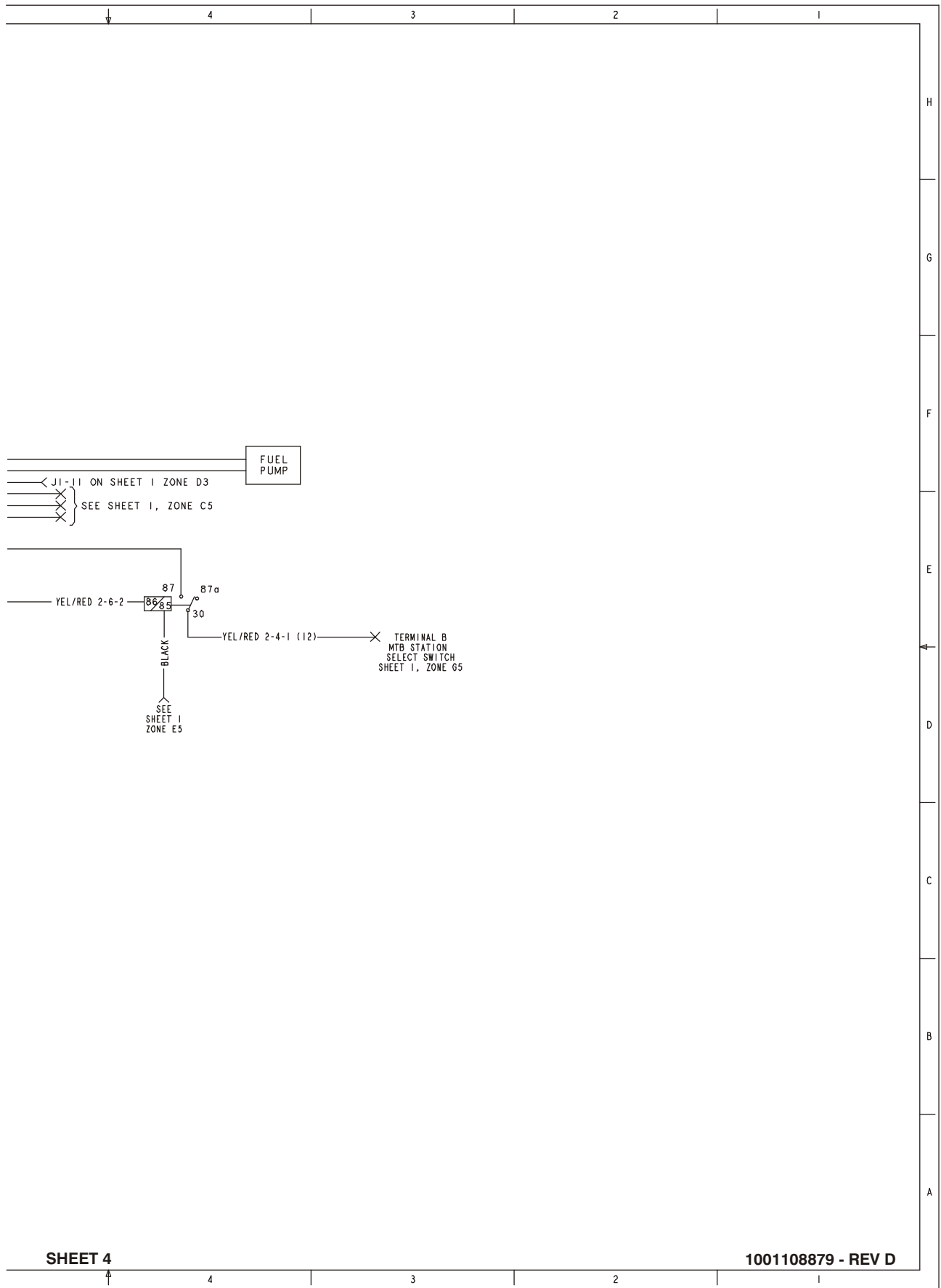
1001108879 - REV D



# SECTION 7 ELECTRICAL

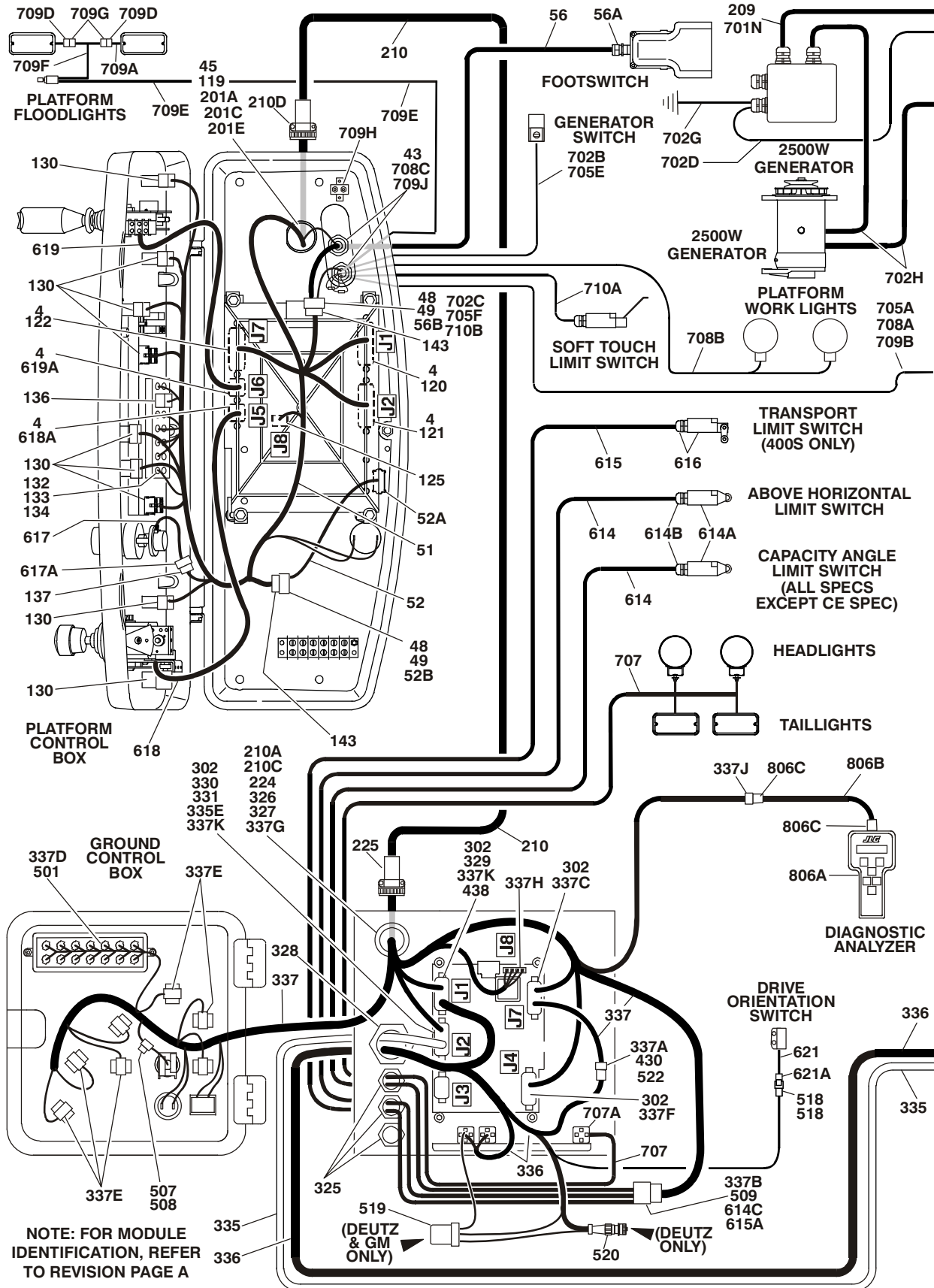


# SECTION 7 ELECTRICAL

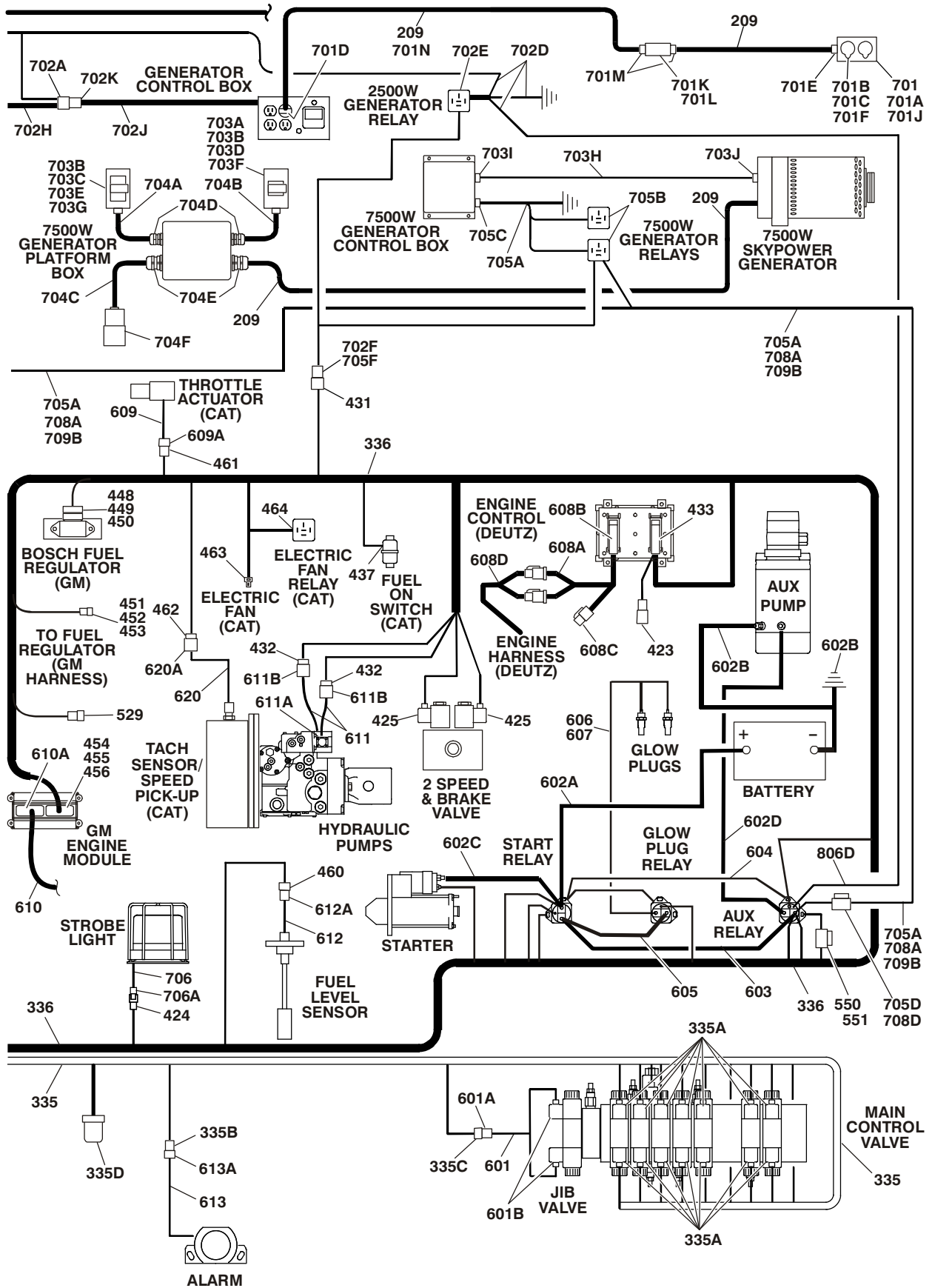


# SECTION 7 ELECTRICAL

FIGURE 7-6. HARNESS COMPONENTS INSTALLATION (MACHINES WITHOUT UGM)



# SECTION 7 ELECTRICAL



## SECTION 7 ELECTRICAL

**FIGURE 7-6. HARNESS COMPONENTS INSTALLATION (MACHINES WITHOUT UGM)**

ITEM #	PART NUMBER	QTY.	DESCRIPTION	REV.
		Ref.	<b>NOTE: FOR MODULE IDENTIFICATION, REFER TO REVISION LOG PAGE A.</b>	
		Ref.	<b>PLATFORM CONSOLE BOX COMPONENTS</b>	
1 to 3	Not Used			
4	0100048	A/R	Grease, Dielectric	
5 to 42	Not Used			
43	4460428	2	Connector, Strain Relief	
44	Not Used			
45	4460470	1	Nut, Terminal	
46	4460471	1	Locknut, Terminal	
47	Not Used			
48	4460708	2	Connector - 15 Position	
49	4460905	5	Seal, Plug	
50	Not Used			
51		1	Harness, Platform Box Options (See Items 101-143 for Breakdown):	
	4922665		S/N 0300096000 to S/N 0300137201	
	1001107440		S/N 0300137201 to Present	
52	4922666	1	Harness, Analyzer Cable	2/B
52A	4460761	1	Connector - 4 Position	
	4460227	4	Pin, Male	
52B	4460226	4	Socket, Female	
53 to 55	Not Used			
56	0272970	1	Footswitch Harness (Includes Footswitch)	A
	1060918	7ft/2.1m	Cable, Electrical - 18/3	
56A	4460071	1	Connector, Strain Relief	
56B	4460226	2	Socket, Female	
	4460464	1	Pin, Male	
		Ref.	<b>PLATFORM BOX HARNESS ASSEMBLY</b>	
	4922665	Ref.	<b>S/N 0300096000 to S/N 03000137201</b>	4/D
	1001107440	Ref.	<b>S/N 03000137201 to Present</b>	C
101 to 118	Not Used			
119	4460866	1	Connector - 19 Position	
	4460464	7	Pin, Male Deutsch 16 Ga	
	4460508	3	Pin, Male Deutsch 12 Ga	
120	4460874	1	Connector - 35 Position (Natural)	
	4460871	22	Socket, Female	
121	4460875	1	Connector - 35 Position (Gray)	
	4460871	21	Socket, Female	
122	4460873	1	Connector - 35 Position (Black)	
	4460871	18	Socket, Female	
123 to 124	Not Used			
125	4460879	1	Connector 2 Position	
	4460887	2	Terminal (12 Gauge)	

## SECTION 7 ELECTRICAL

**FIGURE 7-6. HARNESS COMPONENTS INSTALLATION (MACHINES WITHOUT UGM)  
(CONTINUED)**

ITEM #	PART NUMBER	QTY.	DESCRIPTION	REV.
126 to 129	Not Used			
130	4460418	6	Connector - 6 Position	
	4460419	18	Socket, Female	
131	Not Used			
132	4120035	10	Base, Light	
133	4460226	10	Terminal (16 Gauge) (was p/n 4460634)	
134	4460635	10	Terminal (12 Gauge)	
135	Not Used			
136	4460225	2	Connector - 6 Position	
	4460268	5	Socket, Female	
137	4460225	2	Connector - 6 Position	
	4460227	5	Pin, Male	
138 to 142	Not Used			
143	4460434	2	Connector - 15 Position	
	4460227	18	Pin	
		Ref.	<b>BOOM CABLES INSTALLATION</b>	
	0271160	Ref.	<b>400S (ANSI &amp; ANSI Export Specs)</b>	9
	1001093916	Ref.	<b>400S with Arctic Package (ANSI &amp; ANSI Export Specs)</b>	B
	0271162	Ref.	<b>400S (Australian &amp; CE Specs)</b>	9
	0272612	Ref.	<b>400S with 7500w SKYPOWER Generator</b>	5
	1001093922	Ref.	<b>400S with 7500w SKYPOWER Generator &amp; Arctic Package</b>	C
	0271159	Ref.	<b>460SJ (ANSI &amp; ANSI Export Specs)</b>	9
	1001093919	Ref.	<b>460SJ with Arctic Package (ANSI &amp; ANSI Export Specs)</b>	A
	0271161	Ref.	<b>460SJ (Australian &amp; CE Specs)</b>	9
	0272613	Ref.	<b>460SJ with 7500w SKYPOWER Generator</b>	5
	1001093924	Ref.	<b>460SJ with 7500w SKYPOWER Generator &amp; Arctic Package</b>	B
201 to 208	Not Used			
209		A/R	Cable, Electrical Options:	
	1060985	1	Cable, Electrical - 12/3 (400S without Arctic Package ANSI & ANSI Export Specs) (57ft/17.4m)	
	1001093917	1	Cable, Electrical - 12/3 (400S with Arctic Package ANSI & ANSI Export Specs) (57ft/17.4m)	
	1060986	1	Cable, Electrical - 12/3 (400S Australian & CE Specs) (57ft/17.4m)	
	4922802	1	Cable, Electrical - 8/5 (400S with 7500w SkyPower Generator) (62ft/18.9m)	
	Use 4922802	1	Cable, Electrical - 8/5 (400S with Arctic Package & 7500w SkyPower Generator) (62ft/18.9m) (was p/n 1001093923)	
	1060983	1	Cable, Electrical - 12/3 (460SJ without Arctic Package ANSI & ANSI Export Specs) (63ft/19.2m)	
	1001093920	1	Cable, Electrical - 12/3 (460SJ with Arctic Package ANSI & ANSI Export Specs) (63ft/19.2m)	
	1060984	1	Cable, Electrical - 12/3 (460SJ Australian & CE Specs) (63ft/19.2m)	
	4922803	1	Cable, Electrical - 8/5 (460SJ) (With 7500w SkyPower Generator) (68ft/20.7m)	
	Use 4922803	1	Cable, Electrical - 8/5 (460SJ with Arctic Package & 7500w SkyPower Generator) (68ft/20.7m)(was p/n 1001093925)	

## SECTION 7 ELECTRICAL

**FIGURE 7-6. HARNESS COMPONENTS INSTALLATION (MACHINES WITHOUT UGM)  
(CONTINUED)**

ITEM #	PART NUMBER	QTY.	DESCRIPTION	REV.
210		A/R	Harness Assembly (12/4 - 18/8)	
	4922548	1	400S without Arctic Package	3/C
	1001093918	1	400S with Arctic Package	A
	4922547	1	460SJ without Arctic Package	3/C
	1001093921	1	460SJ with Arctic Package	A
		A/R	Cable, Electrical - 12/4&18/8 Options:	
	1060896	54ft/16.5m	400S without Arctic Package	
	4923462	54ft/16.5m	400S with Arctic Package	
	1060896	60ft/18.3m	460SJ without Arctic Package	
	4923462	60ft/18.3m	460SJ with Arctic Package	
210A	4460465	22	Socket, Female 18 Gauge	
210B	4460865	1	Connector Deutsch - 19 Position	
210C	4460509	8	Socket, Female 12 Gauge	
210D	4460473	1	Clamp. Cable	
210E	4460466	4	Seal, Plug	
211 to 223	Not Used			
224	4460865	1	Connector Deutsch - 19 Position	
225	4460473	1	Clamp. Cable	
		Ref.	<b>GROUND CONTROL BOX COMPONENTS</b>	
301	Not Used			
302	0100048	A/R	Grease, Dielectric	
303 to 324	Not Used			
325	4460428	3	Connector, Strain Relief	
326	4460470	1	Nut, Terminal	
327	4460471	1	Locknut, Terminal	
328	4460526	1	Connector, Strain Relief	
329	4460874	1	Connector (Natural)	
330	4460875	1	Connector (Gray)	
331	4460905	4	Seal, Plug	
333 to 334	Not Used			
335	4922538	1	Valve Harness Assembly	4/D
335A	4460880	14	DIN Connector	
335B	4460320	1	Connector, Female - 2 Position	
	4460267	2	Pin, Male	
335C	4460445	1	Connector - 3 Position	
	4460268	3	Pin, Female	
335D	4460836	2	Connector, Deutsch - 12 Position	
	4460837	2	Housing, Terminal Connector	
	4460465	22	Socket, Female	
335E	4460871	21	Socket, Female	
336		1	Engine Harness Assembly (See Items 401-464 for Breakdown)	
	4923356		Caterpillar Engine Machines (S/N 0300096000 to S/N 0300099084)	
	4923580		Caterpillar & Perkins Engine Machines (S/N 0300099084 to S/N 0300119201)	
	1001098839		Caterpillar & Perkins Engine Machines	
	4923260		Deutz Engine Machines	

## SECTION 7 ELECTRICAL

**FIGURE 7-6. HARNESS COMPONENTS INSTALLATION (MACHINES WITHOUT UGM)  
(CONTINUED)**

ITEM #	PART NUMBER	QTY.	DESCRIPTION	REV.
336 (cont'd)	4923419		GM Engine Machines	
337		1	Ground Control Box Harness Assembly	
	4923456		Caterpillar Engine Machines (S/N 0300096000 to S/N 0300099084)	C
	4923261		Deutz & GM Engine Machines (S/N 0300096000 to S/N 0300099084)	D
	4923583		Caterpillar, Deutz, GM & Perkins Engine Machines (S/N 0300099084 to Present)	B
	3990010	2	Diode 6 Amp	
337A	4460536	1	Connector - 3 Position (All Deutz, GM & Perkins Engines) (S/N 0300099084 to Present Caterpillar Engine)	
	4460943	3	Socket, Female (All Deutz, GM & Perkins Engines) (S/N 0300099084 to Present Caterpillar Engine)	
337B	4460434	1	Connector - 15 Position	
	4460227	14	Pin	
337C	4460873	1	Connector - 35 Position (Black)	
	4460871	A/R	Socket, Female	
	4460905	1	Seal, Plug	
337D	4120035	A/R	Base, Light	
	4460634	A/R	Terminal (16 Gauge)	
	4460635	A/R	Terminal (12 Gauge)	
337E	4460418	7	Connector - 6 Position	
	4460419	21	Socket, Female	
337F	4460876	1	Connector - 35 Position (Blue)	
	4460871	22	Socket, Female	
	4460905	1	Seal, Plug	
337G	4460866	1	Connector - 19 Pin	
	4460464	7	Pin, Male Deutsch 16 Ga	
	4460508	3	Pin, Male (12 Gauge)	
337H	4460878	1	Housing, Terminal - 4 Position	
	4460887	3	Terminal (12 Gauge)	
337J	4460761	1	Connector - 4 Position	
	4460227	4	Pin, Male	
337K	4460871	11	Socket, Female	
338	Not Used			
339		1	Ground Control Box Wiring Diagram (Not Shown - See Items 501 to 522 for Breakdown)	
	4933353	Ref.	Caterpillar Engine Machines (S/N 0300096000 to S/N 0300099084)	
	4933380	Ref.	Caterpillar & Perkins Engine Machines (S/N 0300099084 to S/N 0300141405)	
	4933325	Ref.	Deutz Engine Machines (S/N 0300096000 to S/N 0300099084)	
	4933379	Ref.	Deutz Engine Machines (S/N 0300099084 to Present)	
	4933348	Ref.	GM Engine Machines (S/N 0300096000 to S/N 0300099084)	
	4933378	Ref.	GM Engine Machines (S/N 0300099084 to Present)	



## SECTION 7 ELECTRICAL

**FIGURE 7-6. HARNESS COMPONENTS INSTALLATION (MACHINES WITHOUT UGM)  
(CONTINUED)**

ITEM #	PART NUMBER	QTY.	DESCRIPTION	REV.
		Ref.	<b>ENGINE HARNESS ASSEMBLY</b>	
	4923356	Ref.	<b>Caterpillar Engine (S/N 0300096000 to S/N 0300099084)</b>	2/B
	4923580	Ref.	<b>Caterpillar &amp; Perkins Engine (S/N 0300099084 to S/N 0300119201)</b>	B
	1001098839	Ref.	<b>Caterpillar &amp; Perkins Engine</b>	B
	4923260	Ref.	<b>Deutz Engine</b>	E
	4923419	Ref.	<b>GM Engine</b>	E
401 to 422	Not Used			
423	4461070	1	Connector - 3 Position with Resistor (Deutz Engine Only)	
	4460944	3	Socket, Female (Deutz Engine Only)	
	4461095	1	Connector - 3 Position (Deutz Engine Only)	
424	4460424	1	Connector - 2 Position	
	4460268	2	Socket, Female	
425	4460880	2	DIN Connector without Diode	
426 to 429	Not Used			
430	4460539	1	Connector 3 Position (Deutz & GM Engines Only)	
	4460944	3	Socket, Female (Gold)	
431	4461157	1	Connector - 2 Position (GM Engines Only)	
	4460979	2	Pin, Male	
	4460458	2	Seal	
432	4460742	A/R	Connector - 2 Position	
	4460457	A/R	Terminal, Female	
	4460458	A/R	Seal, Terminal	
433	4461052	1	Connector - 25 Position (Deutz Engine Only)	
	4461053	1	Cover, Receptacle (Deutz Engine Only)	
	4461005	5	Terminal (Deutz Engine Only)	
	4461006	5	Seal (Used with p/n 4461005) (Deutz Engine Only)	
	4461060	2	Terminal (Deutz Engine Only)	
	4461054	2	Seal (Used with p/n 4461060) (Deutz Engine Only)	
	4461008	18	Plug, Hole (Deutz Engine Only)	
434 to 436	Not Used			
437		A/R	Housing - 2 Position Options: (Caterpillar Engines Only) S/N 0300096000 to S/N 0300119201:	
	4460890	1	Housing - 2 Position (Caterpillar Engines Only)	
	4460889	2	Terminal (All Caterpillar Engines Only)	
			S/N 0300119201 to Present:	
	1001098923	1	Housing - 2 Position (Caterpillar Engines Only)	
	4460465	2	Socket, Female (All Caterpillar Engines Only)	
438	4460871	A/R	Socket, Female	
	3990001	1	Diode 6 Amp (Caterpillar Engine Only)	
	3730125	1	Resistor 120 Ohm 4 Watt (Caterpillar & Perkins Engine Only)	
439 to 447	Not Used			
448	4461121	1	Connector - 4 Position (GM Engine Only)	
449	4461122	4	Terminal, Female (GM Engine Only)	
450	4461123	4	Seal (GM Engine Only)	
451	4461124	1	Connector - 4 Position (GM Engine Only)	
452	4460693	4	Terminal, Male (GM Engine Only)	
	4461161	1	Lock, Terminal (GM Engine Only)	

## SECTION 7 ELECTRICAL

**FIGURE 7-6. HARNESS COMPONENTS INSTALLATION (MACHINES WITHOUT UGM)  
(CONTINUED)**

ITEM #	PART NUMBER	QTY.	DESCRIPTION	REV.
453	4460608	4	Seal (GM Engine Only)	
454	4461109	1	Connector, Plug - 16 Position (GM Engine Only)	
455	4461111	7	Pin, Male (GM Engine Only)	
456	4461113	7	Seal (GM Engine Only)	
	4461222	9	Plug (GM Engine Only)	
457 to 459	Not Used			
460	4460834	1	Connector - 2 Position	
	4460842	2	Terminal, Female	
461	4460891	1	Connector - 2 Position (Caterpillar & Perkins Engine Only)	
	4460465	2	Socket, Female (Caterpillar & Perkins Engine Only)	
462	4460539	1	Connector 3 Position (Caterpillar & Perkins Engine Only)	
	4460465	3	Socket, Female (Caterpillar & Perkins Engine Only)	
463	4460993	2	Terminal, Spade (Caterpillar & Perkins Engine Only)	
	4460994	1	Connector - 2 Position (Caterpillar & Perkins Engine Only)	
464	4460374	1	Plug, Relay (Caterpillar & Perkins Engine Only)	
	4460375	4	Terminal (Caterpillar & Perkins Engine Only)	
		Ref.	<b>GROUND CONTROL BOX WIRING DIAGRAM</b>	
	4933353	Ref.	<b>Caterpillar Engine Machines (S/N 0300096000 to S/N 0300099084)</b>	2/B
	4933380	Ref.	<b>Caterpillar &amp; Perkins Engine Machines (S/N 0300099084 to Present)</b>	C
	4933325	Ref.	<b>Deutz Engine Machines (S/N 0300096000 to S/N 0300099084)</b>	E
	4933379	Ref.	<b>Deutz Engine Machines (S/N 0300099084 to Present)</b>	D
	4933348	Ref.	<b>GM Engine Machines (S/N 0300096000 to S/N 0300099084)</b>	C
	4933378	Ref.	<b>GM Engine Machines (S/N 0300099084 to Present)</b>	D
501	2920129	A/R	Bulb, Light	
502 to 506	Not Used			
507	2400065	1	Fuse, 30Amp	
508	2400066	1	Fuse, Holder	
509	4460708	1	Connector - 15 Position	
	4460226	A/R	Socket, Female	
	4922637	1	Harness, Jumper (Not Shown)	
	4922636	1	Harness, Jumper (Not Shown)	
510 to 514	Not Used			
515	4460424	1	Connector - 2 Position (S/N 0300137201 to Present)	
516	4460226	A/R	Socket, Female (S/N 0300137201 to Present)	
517 to 518	Not Used			
519	4460894	1	Connector - 6 Position (Deutz & GM Only)	
	4460892	1	Connector, Bussbar - 6 Position (Deutz & GM Only)	
520	2902443	1	Receptacle Kit (Deutz Only)	
	4461072		Connector - 12 Position (Deutz Only)	
	4461074	1	Shell, Receptacle (Deutz Only)	
	4461071	4	Socket, Female (Gold) (Deutz Only)	
	4461073	1	Cap, Dust (Deutz Only)	
521	4923591	1	Harness, Jumper (Not Shown - Located on Module J7-6 to J7-17 Caterpillar & Perkins Only) (S/N 0300099084 to Present)	

## SECTION 7 ELECTRICAL

**FIGURE 7-6. HARNESS COMPONENTS INSTALLATION (MACHINES WITHOUT UGM)  
(CONTINUED)**

ITEM #	PART NUMBER	QTY.	DESCRIPTION	REV.
522	4460539	1	Connector 3 Position (Caterpillar & Perkins Engines Only) (S/N 0300099084 to Present)	
		Ref.	<b>STANDARD HARNESS COMPONENTS</b>	
601	4921927	1	Jib Valve Harness (460SJ Only)	
601A	4460326	1	Connector - 3 Position	
	4460267	3	Pin, Male	
601B	4460499	2	Connector, DIN with Diode	
602		1	Battery Cable Kit Options:	
	2901880		Caterpillar, Deutz & Perkins Engines Machines	D
	2902511		GM Engine Machines	C
602A		1	Cable, Battery (Red) Options:	
	7016843		Caterpillar, Deutz & Perkins Engines Machines (Battery + to Start Relay)	
	7027012		GM Engine Machines (Battery + to Auxiliary Relay)	
602B		1	Cable, Battery (Battery – & Auxiliary Pump to Ground) (Black) Options:	
	7016835		Caterpillar, Deutz & Perkins Engines Machines	
	7027013		GM Engine Machines	
602C		1	Cable, Battery (Red) Options:	
	7016834		Caterpillar, Deutz & Perkins Engines Machines (Starter Relay to Starter)	
	7016808		GM Engine Machines (Auxiliary Relay to Starter)	
602D		1	Cable, Battery (Auxiliary Relay to Auxiliary Pump) (Red) Options:	
	7016820		Caterpillar, Deutz & Perkins Engines Machines	
	7027020		GM Engines Machines	
603	1060904	1	Cable, Battery (Caterpillar & Perkins Engine Machines Only)	
604	14922737	1	Harness, Relay Ground (Caterpillar & Perkins Engine Machines Only)	
605	1060904	1	Cable, Jumper (Deutz Engine Machines Only)	
606	4923451	1	Harness, Glow Plug (Deutz Engine Machines Only)	
607	70000345	1	Harness, Glow Plug (Deutz Engine Machines Only)	
608		A/R	Deutz Engine Harness Components (Deutz Engine Machines Only)	
608A	7027796	1	Deutz Engine Harness	
608B	4461052	1	Connector - 25 Position	
	4461053	1	Cover, Receptacle	
	4461005	5	Terminal	
	4461006	5	Seal (Used with p/n 4461005)	
	4461060	2	Terminal	
	4461054	2	Seal (Used with p/n 4461060)	
	4461008	18	Plug, Hole	
608C	7027793	1	Plug-In, Connector	
608D	7027794	1	Deutz Engine Harness (For other replacement parts refer to Deutz engine dealer)	
609	1001099927	1	Throttle Actuator Harness (Includes Actuator) (Caterpillar & Perkins Engines Only)	

## SECTION 7 ELECTRICAL

**FIGURE 7-6. HARNESS COMPONENTS INSTALLATION (MACHINES WITHOUT UGM)  
(CONTINUED)**

ITEM #	PART NUMBER	QTY.	DESCRIPTION	REV.	
609A	4460897	1	Connector -2 Position (Caterpillar & Perkins Engines Only)		
	4460464	2	Pin, Male (Caterpillar & Perkins Engines Only)		
	2820018	A/R	Heatshrink		
610	7027991	1	GM Engine Harness (GM Engine Only)		
610A	4461110	1	Connector - 16 Position (GM Engine Only)		
	4461112	1	Socket, Female (GM Engine Only)		
	4461113	16	Seal, Terminal (GM Engine Only)		
611	See Note	2	Pump Harness ( <b>Note: Not Available for Purchase</b> )		
611A	7007497	2	Plug (Pump)		
611B	7007498	2	Plug (Valve Harness)		
612	See Note	1	Fuel Sender Harness ( <b>Note: Not Available for Purchase</b> )		
	See Note	1	Connector - 2 Position ( <b>Note: Not Available for Purchase</b> )		
	See Note	2	Terminal, Male ( <b>Note: Not Available for Purchase</b> )		
613	0257887	1	Alarm Harness (Includes Alarm)		
613A	4460424	1	Connector - 2 Position		
	4460268	2	Socket, Female		
614		A/R	Capacity/Elevation Cut-out Switch Harness Options (Includes Electrical Cable and Items 614A-614C):		
	4922714	2	400S (Includes Items 8.5ft/2.6m of p/n 1060902 18/2 Electrical Cable) (All Specs Except CE Spec)	B	
	1001093914	2	400S with Arctic Package (Includes Items 8.5ft/2.6m of p/n 4923466 18/2 Polar Electrical Cable) (All Specs Except CE Spec)	A	
	4922714	1	400S (Includes Items 8.5ft/2.6m of p/n 1060902 18/2 Electrical Cable) (CE Spec Only)	B	
	4922714	1	460SJ (Includes Items 8.5ft/2.6m of p/n 1060902 18/2 Electrical Cable) (All Specs Except CE Spec)	B	
	1001093914	1	460SJ with Arctic Package (Includes Items 8.5ft/2.6m of p/n 4923466 18/2 Polar Electrical Cable) (All Specs Except CE Spec)	A	
	4922714	1	460SJ (Includes Items 8.5ft/2.6m of p/n 1060902 18/2 Electrical Cable) (CE Spec Only)	B	
	614A	4360548	1	Switch, Limit	
	614B	4460968	1	Connector, Strain Relief	
	614C	4460226	2	Socket, Female	
615	4922769	1	Transport Limit Switch Harness - 18/2 (Note: Does NOT include Limit Switch - Purchase Item 616 Separately)		
	4922769	1	400S (Includes Items 26.5ft/8.1m of p/n 1060680 18/2 Electrical Cable and 2 Sockets)	B	
	1001093915	1	400S with Arctic Package (Includes Items 26.5ft/8.1m of p/n 4923466 18/2 Polar Electrical Cable and 2 Sockets)	A	
	Not Required	0	460SJ		
615A	4460226	2	Socket, Female		
616		1	Switch, Limit Options:		
	4360549	1	400S (All Specs Except CE Spec)		
	4360578	1	400S (CE Specs)		
	Not Required	0	460SJ (All Specs Except CE Spec)		
	4360578	1	460SJ (CE Specs)		
	4460968	1	Connector, Strain Relief		

## SECTION 7 ELECTRICAL

**FIGURE 7-6. HARNESS COMPONENTS INSTALLATION (MACHINES WITHOUT UGM)  
(CONTINUED)**

ITEM #	PART NUMBER	QTY.	DESCRIPTION	REV.
617	See Note	1	Speed Control Harness ( <b>Note: Not Available for Purchase</b> )	
617A	4460224	1	Connector - 6 Position	
	4460226	6	Socket, Female	
618	See Note	1	Controller Harness Assembly (Lift and Swing) ( <b>Note: Not Available for Purchase</b> )	
618A	7022819	1	Connector - 8 Position (Natural)	
	4460871	8	Socket, Female	
619	7022824	1	Controller Harness/Circuit Board Assembly (Drive and Steer)	
619A	7022825	1	Connector - 8 Position Black)	
	4460871	7	Socket, Female	
620	1001099926	1	Speed Sensor Harness (Includes Speed Sensor) (Caterpillar & Perkins Engine Only)	
620A	4460536	1	Connector - 3 Position	
	4460464	3	Pin, Male	
	2820018	A/R	Heatshrink	
621	4360517	1	Switch, Proximity	
621A	4460320	1	Connector - 2 Position	
	4460227	2	Pin, Male	
		Ref.	<b>OPTIONAL HARNESS COMPONENTS</b>	
701		Ref.	AC to Platform Receptacle Components Options:	
	0270022	Ref.	110V GFI Receptacle (All Specs Except CE Spec)	4
	0270024	Ref.	220V GFI Receptacle (All Specs Except CE Spec)	3
		Ref.	CE Specs Options:	
		Ref.	Without Generator:	
	1001091969	Ref.	110V with IEC Yellow Receptacle & Plug	B
	1001091970	Ref.	220V with IEC Blue Receptacle & Plug	B
	1001091975	Ref.	220V with AFSINT 107 Keyed Ground Receptacle & Plug	C
	1001091973	Ref.	220V with CEE 7 Post Ground Receptacle & Plug (2x4 Box)	C
	1001091971	Ref.	220V with CEE 7 Post Ground Receptacle & Plug (70x70 Box)	B
	1001091974	Ref.	220V with CEE 7 Side Ground Receptacle & Plug (2x4 Box)	C
	1001091972	Ref.	220V with CEE 7 Side Ground Receptacle & Plug (70x70 Box)	B
		Ref.	With 2500W Generator:	
	1001100326	Ref.	110V with IEC Yellow Receptacle & Plug	C
	1001100327	Ref.	220V with IEC Blue Receptacle & Plug	C
	1001100337	Ref.	220V with AFSINT 107 Keyed Ground Receptacle & Plug	C
	1001100331	Ref.	220V with CEE 7 Post Ground Receptacle & Plug (2x4 Box)	C
	1001100329	Ref.	220V with CEE 7 Post Ground Receptacle & Plug (70x70 Box)	C
	1001100333	Ref.	220V with CEE 7 Side Ground Receptacle & Plug (2x4 Box)	C
	1001100328	Ref.	220V with CEE 7 Side Ground Receptacle & Plug (70x70 Box)	C

## SECTION 7 ELECTRICAL

**FIGURE 7-6. HARNESS COMPONENTS INSTALLATION (MACHINES WITHOUT UGM)  
(CONTINUED)**

ITEM #	PART NUMBER	QTY.	DESCRIPTION	REV.
701 (cont'd)	1001093275	Ref.	Breaker Box Installation (Required on CE Spec Machines without Powermite Generator Control Box)	B
	1001109863	Ref.	Breaker Box Installation (Required on CE Spec Machines with Powermite Generator Control Box)	A
701A		A/R	Box, Switch Options:	
	0860038		0270022 & 0270024 Installations	
	0861781		1001091969, 1001091970, 1001100326 & 100110327 Installations	
	See Note		1001091971, 1001091972, 1001100328 & 100110329 Installations ( <b>Note: Was p/n 0861782 which is no longer available. Use p/n 1001100344 CEE 7 Side Ground Service Kit or p/n 1001100343 CEE 7 Post Ground Service Kit. Kit include Box p/n 1001141967 &amp; items 701B, 701C &amp; 701D.</b> )	
	0861731		1001091975, 1001091973, 1001091974, 1001100337 1001100331 & 100110333 Installations	
	1001141967		1001100343, 1001100344, 1001141970 & 1001141971 Kits	
701B		1	Receptacle Options:	
	4460346		0270022 Installation	
	4460125		0270024 Installation	
	4461198		1001091969 & 1001100326 Installation (Includes Cvr)	
	4461201		1001091970 & 1001100327 Installation (Includes Cvr)	
	Use 1001100343		1001091971 & 1001100328 Installation (Includes Cvr) (was p/n 4461204)	
	Use 1001100344		1001091972 & 1001100329 Installation (Includes Cvr) (was p/n 4461207)	
	4461244		1001091973 & 1001100331 Installation (Includes Cvr)	
	4461245		1001091974 & 1001100333 Installation (Includes Cvr)	
	4461246		1001091975 & 1001100337 Installation (Includes Cvr)	
	1001141968		1001100343 & 1001141971 Kits	
	1001141969		1001100344 & 1001141970 Kits	
701C		1	Cover Options:	
	4060700		0270022 Installation (Side Hinged)	
	1001110873		0270022 Installation (Top Hinged)	
	4060092		0270024 Installation	
	4461198		1001091969 & 1001100326 Installation (Includes Receptacle)	
	4461201		1001091970 & 1001100327 Installation (Includes Receptacle)	
	Use 1001100343		1001091971 & 1001100328 Installation (Includes Receptacle) (was p/n 4461204)	
	Use 1001100344		1001091972 & 1001100329 Installation (Includes Receptacle) (was p/n 4461207)	
	4461244		1001091973 & 1001100331 Installation (Includes Receptacle)	
	4461245		1001091974 & 1001100333 Installation (Includes Receptacle)	
	4461246		1001091975 & 1001100337 Installation (Includes Receptacle)	
	1001141968		1001100343 & 1001141971 Kits	
	1001141969		1001100344 & 1001141970 Kits	

## SECTION 7 ELECTRICAL

**FIGURE 7-6. HARNESS COMPONENTS INSTALLATION (MACHINES WITHOUT UGM)  
(CONTINUED)**

ITEM #	PART NUMBER	QTY.	DESCRIPTION	REV.
701D		1	Plug Options (With 2500W Generator Only):	
	4460205		0270022 Installation (Male)	
	4460233		0270024 Installation (Male)	
	4461196		1001091969 & 1001100326 Installation (Male)	
	4461197		1001091969 & 1001100326 Installation (Female)	
	4461199		1001091970 & 1001100327 Installation (Male)	
	4461200		1001091970 & 1001100327 Installation (Female)	
	4461202		1001091973, 1001091971, 1001100331 & 1001100328 Installations & 1001100343 & 1001141971 Kits (Male)	
	4461203		1001091973, 1001091971, 1001100331 & 1001100328 Installations & 1001100343 & 1001141971 Kits (Female)	
	4461205		1001091974, 1001901972, 1001100333 & 1001100329 Installation & 1001100344 & 1001141970 Kits (Male)	
	4461206		1001091974, 1001901972, 1001100333 & 1001100329 Installation & 1001100344 & 1001141970 Kits (Female)	
	4461249		1001091975 & 1001100337 Installation (Male)	
4461250		1001091975 & 1001100337 Installations (Female)		
701E		1	Connector, Strain Relief Options:	
	4460071		0270022 & 0270024 Installations	
	4460968		1001091969, 1001091970, 1001091971, 1001091972, 1001100326, 1001100327, 1001100328 & 1001100329 Installations (S/N 0300096000 to S/N 0300127205)	
	1001101191		1001091969, 1001091970, 1001091971, 1001091972, 1001100326, 1001100327, 1001100328 & 1001100329 Installations (S/N 0300127205 to Present)	
	4460662		1001091975, 1001091973, 1001091974, 1001100337, 1001100331 & 1001100333 Installations (S/N 0300096000 to S/N 0300108585)	
	4460968		1001091975, 1001091973, 1001091974, 1001100337, 1001100331 & 1001100333 Installations (S/N 0300108585 to S/N 0300127205)	
	1001101191		1001091975, 1001091973, 1001091974, 1001100337, 1001100331 & 1001100333 Installations (S/N 0300127205 to Present)	
	Not Required		0270022 & 0270024 Installations	
	Not Required		1001091969, 1001091970, 1001091971, 1001091972, 1001100326, 1001100327, 1001100328 & 1001100329 Installations (S/N 0300096000 to S/N 0300127205)	
	1001101196		1001091969, 1001091970, 1001091971, 1001091972, 1001100326, 1001100327, 1001100328 & 1001100329 Installations (S/N 0300127205 to Present)	
	Not Required		1001091975, 1001091973, 1001091974, 1001100337, 1001100331 & 1001100333 Installations (S/N 0300096000 to S/N 0300127205)	
	1001101196		1001091975, 1001091973, 1001091974, 1001100337, 1001100331 & 1001100333 Installations (S/N 0300127205 to Present)	
	0100020	A/R	Sealant	
701F	3960422	1	Gasket (0270022 & 0270024 Installations Only)	
701G	4460315	1	Terminal, Spade (0270022 & 0270024 Installations Only) (Not Shown)	

## SECTION 7 ELECTRICAL

**FIGURE 7-6. HARNESS COMPONENTS INSTALLATION (MACHINES WITHOUT UGM)  
(CONTINUED)**

ITEM #	PART NUMBER	QTY.	DESCRIPTION	REV.
701H		1	Decal - AC Power (Not Shown)	
	1703464		110V	
	3252507		220V	
701J	0903484	A/R	Bracket, Receptacle Box Mounting (Only Required on CE Spec Installations)	
701K	0903566	1	Bracket, Circuit Breaker Mounting (Only Required on CE Spec Installations)	
701L		A/R	Breaker, Circuit Kit Options (Only Required on CE Spec Installations):	
	2902549		Kit (Without Powermite Generator Control Box)	D
	1001109864		Kit (With Powermite Generator Control Box)	B
		1	Circuit Breaker Options:	
		Ref.	<b>Note: Kit p/n 2902549 Kit used a single large breaker p/n 2400093. Replace with 2 breakers. For machines with Powermite Generator Control Box use both p/ns 1001109477 &amp; 1001109482. For machines without Powermite Generator Control Box use both p/ns 1001109475 &amp; 1001109482.</b>	
	1001109477		Breaker 10A	
	1001109475		Breaker 16A	
	1001109482		Breaker 30mA	
	0861880	1	Breaker Box	
	4460957	1	Terminal Block	
	4460956	1	Barrier, Terminal Block	
701M		2	Connector, Strain Relief Options (Only Required on CE Spec Installations):	
	4460633		S/N 0300096000 to S/N 0300117542	
	1001097150		S/N 0300117542 to Present	
701N	1060908		Cable, Extension Options (Only Required on CE Spec Installations):	
		6ft/1.8m	Without Powermite Generator Control Box	
		10ft/3m	With Powermite Generator Control Box	
	0275216	1	Receptacle, Box & Plug Kit (110V IEC Yellow) (Includes Items 701A-701C & Male 701D Plug End) (1001091969 Installation)	1/A
	1001100341	1	Receptacle & Box Kit (110V IEC Yellow) (Includes Items 701A-701C & Male 701D Plug End) (1001100326 Installation)	2/A
	0275217	1	Receptacle, Box & Plug Kit (220V IEC Blue) (Includes Items 701A-701C & Male 701D Plug End) (1001091970 Installation)	1/A
	1001100342	1	Receptacle & Box Kit (220V IEC Blue) (Includes Items 701A-701C & Male 701D Plug End) (1001100327 Installation)	2/A
	Use 1001100343	1	Receptacle, Box & Plug Kit (220V CEE 7 Post Ground with 70x70 Box) (Includes Items 701A-701C & Male 701D Plug End) (1001091971 Installation) (was p/n 0275218)	B/B
	1001100343	1	Receptacle & Box Kit (220V CEE 7 Post Ground with 70x70 Box) (Includes Items 701A-701C & Male 701D Plug End) (1001100328 Installation)	2/A



## SECTION 7 ELECTRICAL

**FIGURE 7-6. HARNESS COMPONENTS INSTALLATION (MACHINES WITHOUT UGM)  
(CONTINUED)**

ITEM #	PART NUMBER	QTY.	DESCRIPTION	REV.
	Use 1001100344	1	Receptacle, Box & Plug Kit (220V CEE 7 Side Ground with 70x70 Box) (Includes Items 701A-701C & Male 701D Plug End) (1001091972 Installation) (was p/n 0275219)	B/B
	1001100344	1	Receptacle & Box Kit (220V CEE 7 Side Ground with 70x70 Box) (Includes Items 701A-701C& Male 701D Plug End) (1001100329 Installation)	2/A
	0275452	1	Receptacle, Box & Plug Kit (220V CEE 7 Post Ground with 2x4 Box) (Includes Items 701A-701C & Male 701D Plug End) (1001091973 Installation)	1/A
	1001100345	1	Receptacle & Box Kit (220V CEE 7 Post Ground with 2x4 Box) (Includes Items 701A-701C& Male 701D Plug End) (1001100331 Installation)	2/A
	0275453	1	Receptacle, Box & Plug Kit (220V CEE 7 Side Ground with 2x4 Box) (Includes Item 701A-701C & Male 701D Plug End) (1001091974 Installation)	1/A
	1001100347	1	Receptacle & Box Kit (220V CEE 7 Side Ground with 2x4 Box) (Includes Item 701A-701C& Male 701D Plug End) (1001100333 Installation)	2/A
	0275454	1	Receptacle, Box & Plug Kit (220V AFSINT 107 Keyed Ground) (Includes Items 701A-701C & Male 701D Plug End) (1001091975 Installation)	1/A
	1001100346	1	Receptacle & Box Kit (220V AFSINT 107 Keyed Ground) (Includes Items 701A-701C& Male 701D Plug End) (1001100337 Installation)	2/A
	2902549	1	Circuit Breaker Box Kit (Includes Items 701L-701N) (Only Required on CE Spec Installations)	C
			-----	
702		Ref.	Generator Electrical Components	
	4933300	Ref.	110V (Caterpillar/Ford/Perkins Engines)	1/A
	4933300	Ref.	110V (Deutz Engines All Specs S/N 0300096000 to S/N 0300131127)	1/A
	4933300	Ref.	110V (Deutz Engines 60Hz S/N 0300131127 to Present)	1/A
	1001100027	Ref.	110V (Deutz Engines 50Hz S/N 0300131127 to Present)	4/D
	4933350	Ref.	110V (GM Engines)	B
	4933300	Ref.	220V (Except Deutz 50Hz S/N 0300131127 to Present)	2/A
	1001100027	Ref.	220V (Deutz 50Hz S/N 0300131127 to Present Only)	4/D
702A	4460321	1	Connector - 4 Position	
	4460906	4	Socket, Female	
702B	4922641	1	Harness - On/Off Switch	1/A
702C	4460226	2	Socket, Female	
702D		1	Powermite Control Box to Relay Harness Options:	
	4922970		110V (Caterpillar/Deutz/Ford/Perkins Engines) Options:	1/A
	4923445		110V (GM Engines)	A
	4922970		220V	1/A
702E	4460374	1	Plug, Relay (S/N 0300096000 to S/N 0300131127 Only)	
	4460375	3	Terminal	
702F	4460742	1	Connector - 2 Position (GM Engines)	
	4460743	2	Socket, Female (GM Engines)	
	4460458	2	Seal, Wire (GM Engines)	

## SECTION 7 ELECTRICAL

**FIGURE 7-6. HARNESS COMPONENTS INSTALLATION (MACHINES WITHOUT UGM)  
(CONTINUED)**

ITEM #	PART NUMBER	QTY.	DESCRIPTION	REV.
702G	1001100305	1	Harness, Ground (50Hz Generators with Junction Box Used S/N 0300096000 to S/N 0300136081 Only)	
702H	7020193	1	2500W Generator Power Cable	
702J	See Note	1	Control Box Harness <b>(Note: Not Available for Purchase)</b>	
702K	4460961	1	Connector - 4 Position	
	4460705	4	Pin, Male	
703		Ref.	7500W SkyPower Generator Installation	
	0273003	Ref.	60Hz & Caterpillar Engine	K
	0273004	Ref.	50Hz Spec & Caterpillar Engine	G
	0272597	Ref.	60Hz & Deutz Engine	L
	0272596	Ref.	50Hz Spec & Deutz Engine	I
	0275057	Ref.	60Hz Spec & GM Engine	F
	1001097331	Ref.	60Hz & Perkins Engine	D
	1001097332	Ref.	50Hz Spec & Perkins Engine	C
703A		1	Connector Twist-Lock Options:	
	4460958		60Hz Spec	
	See Note		50Hz Spec <b>(Note: Not Available - Purchase Locally)</b>	
703B		2	Gasket Options:	
	3960422		60Hz Spec	
	See Note		50Hz Spec <b>(Note: Not Available - Purchase Locally)</b>	
703C		1	Cover, Receptacle Options:	
	4060700		60Hz Spec (Side Hinged)	
	1001110873		60Hz Spec (Top Hinged)	
	See Note		50Hz Spec <b>(Note: Not Available - Purchase Locally)</b>	
703D		1	Cover, Receptacle Options:	
	4061043		60Hz Spec (Side Hinged)	
	1001110872		60Hz Spec (Top Hinged)	
	See Note		50Hz Spec <b>(Note: Not Available - Purchase Locally)</b>	
703E		1	Receptacle Options:	
	4460346		60Hz Spec	
	See Note		50Hz Spec <b>(Note: Not Available - Purchase Locally)</b>	
703F	4460051	1	Connector, Strain Relief	
703G	4460071	1	Connector, Strain Relief	
703H	4922925	1	Harness, Generator	
703I	See Note	1	Connector - 6 Position <b>(Note: Not Available for Purchase)</b>	
	See Note	6	Socket, Female <b>(Note: Not Available for Purchase)</b>	
703J	4460225	1	Connector - 6 Position	
	4460226	6	Socket, Female	
704		Ref.	7500W SkyPower Generator Junction Box Components	
	0861542	Ref.	60Hz Spec	D
	0861567	Ref.	50Hz Specs	B
704A		2ft/.6m	Cable, Electrical 12/3	
	1060494		60Hz Spec	
	See Note		50Hz Spec <b>(Note: Not Available - Purchase Locally)</b>	

## SECTION 7 ELECTRICAL

**FIGURE 7-6. HARNESS COMPONENTS INSTALLATION (MACHINES WITHOUT UGM)  
(CONTINUED)**

ITEM #	PART NUMBER	QTY.	DESCRIPTION	REV.
704B	1060708 See Note	2.5ft/.76m	Cable, Electrical 10/3 60Hz Spec 50Hz Spec ( <b>Note: Not Available - Purchase Locally</b> )	
704C	1060343	1.5ft/.46m	Cable, Electrical 10/4 (60Hz Spec Only)	
704D	4460425	2	Connector, Strain Relief	
704E	4460426	A/R	Component Options:	
	4460426	2	Connector, Strain Relief (60Hz Spec Only)	
	4460426	1	Connector, Strain Relief (50Hz Spec Only)	
	3520189	1	Plug (50Hz Spec Only)	
704F	1671092	1	Cover (60Hz Spec Only)	
	4460963	1	Connector (60Hz Spec Only)	
705	4933264	Ref.	7500W Generator Electrical Diagram Components	
	4933349	Ref.	Caterpillar, Deutz & Perkins Engine Machines	C
		Ref.	GM Engine Machines	B
705A	4922757	1	Generator Harness Options:	
	4923420		Caterpillar, Deutz & Perkins Engine Machines	3/C
			GM Engine Machines	A
705B	4460374	2	Plug, Sealed Relay	
	4460375	7	Terminal	
705C	4460967	1	Connector - 3 Position	
	4460465	3	Socket, Female	
705D	2400060	1	Fuseholder	
	2400064	1	Fuse - 5 Amp	
705E	4922641	1	Switch Harness	
705F	4460742	1	Connector - 2 Position (Caterpillar & Perkins Engines)	
	4460743	2	Socket, Female (Caterpillar & Perkins Engines)	
	4460458	2	Seal, Wire (Caterpillar & Perkins Engines)	
706	0255917	1	Strobe Light Harness (Includes Strobe Light)	C
706A	4460320	1	Connector - 2 Position	
	4460267	2	Pin, Male	
707	See Note	1	Lights Harness ( <b>Note: Not Available for Purchase</b> )	
	1060341	37ft/11.3m	Cable, Electrical - 16/2	
707A	3740049	1	Relay	
	4922643	1	Harness, Bag (Located at Ground Control Box) (Not Shown)	
708		A/R	Platform Worklights Components	
708A	1060983	1	Harness, Console Box to Aux Relay Options:	
	4922965		400S (63ft/19.2m of 12/3 Cable P/N 1060494)	
			460SJ (69ft/21m of 12/3 Cable P/N 1060494)	
708B	2920140	2	Platform Worklights External Harness (Includes Light & Wire Only)	
708C	4460426	1	Connector, Strain Relief	
708D	2400070	1	Fuse	
	2400066	1	Holder, Fuse	
709		A/R	Platform Floodlights Components	
709A	2920157	2	Platform Floodlights External Harness (Includes Lights and Wire Only) (Not Shown)	
709B	1060983	1	Harness, Console Box to Aux Relay Options:	
	4922965		400S (63ft/19.2m of 12/3 Cable P/N 1060494)	
			460SJ (69ft/21m of 12/3 Cable P/N 1060494)	

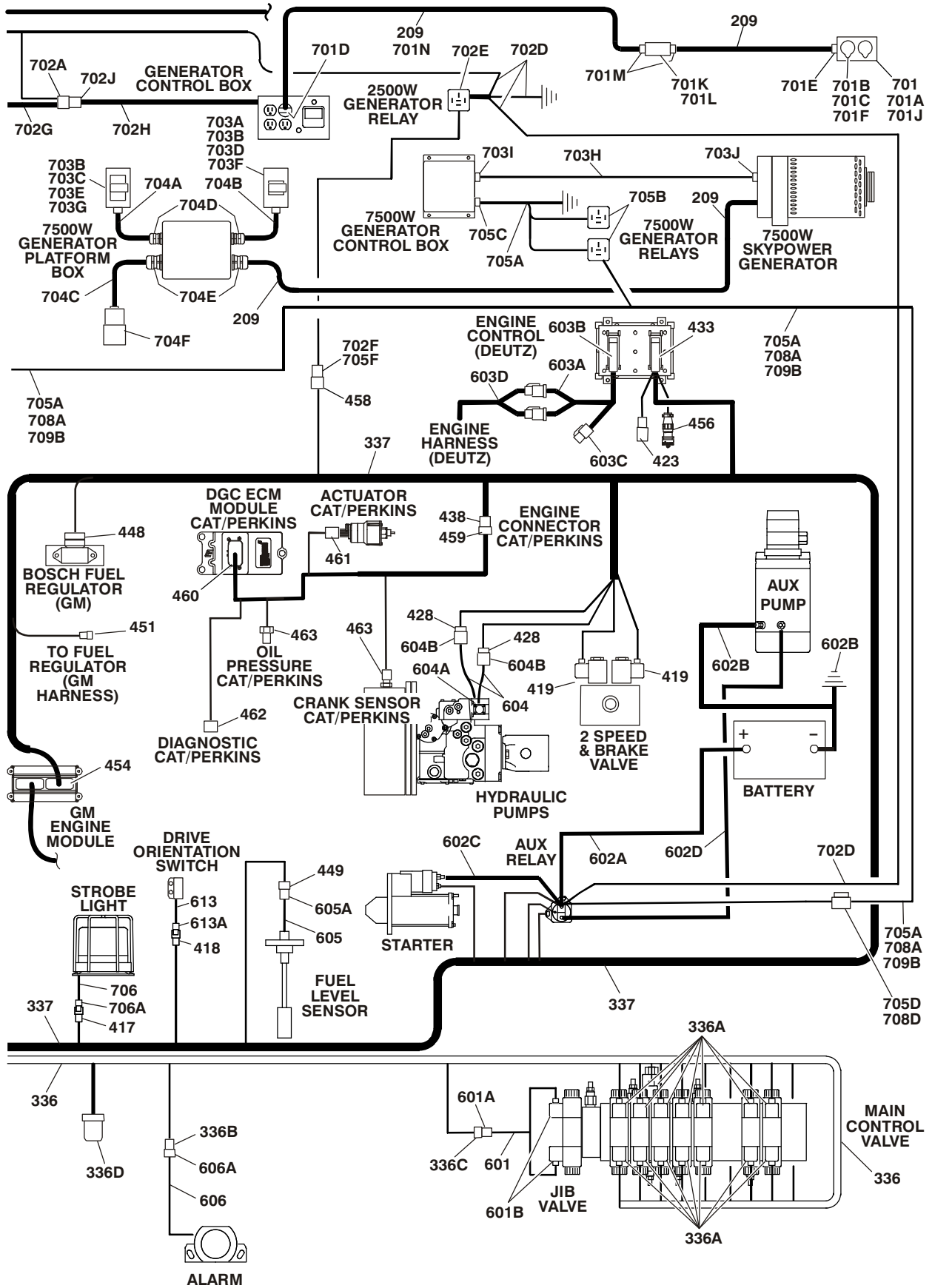
## SECTION 7 ELECTRICAL

**FIGURE 7-6. HARNESS COMPONENTS INSTALLATION (MACHINES WITHOUT UGM)  
(CONTINUED)**

ITEM #	PART NUMBER	QTY.	DESCRIPTION	REV.
709C	4933313	Ref.	Platform Floodlight Wiring Diagram Components	1/A
709D	4460320	2	Connector - 2 Position	
	4460227	4	Pin, Male	
709E	1060977	1	Cord, 2 Wire Coiled (Console Box Circuit Breaker to Switch)	
709F	4922764	2	Platform Floodlights Harness (Lights to Switch) (Not Shown)	1/A
709G	4460424	2	Connector - 2 Position	
	4460226	4	Socket, Female	
709H	4360232	1	Circuit Breaker, 15Amp	
709J	4460425	1	Connector, Strain Relief	
710	4933218	1	Soft-Touch System Wiring Diagram	1/B
710A	1060902	23ft/7m	Cable, Electrical - 18/2	
710B	4460871	2	Socket, Female	
		Ref.	<b>TOOLS</b>	
801	7002821	1	Crimper (For Wire to Pin/Socket Connections) (Not Shown)	
802	7002823	1	Extractor (For Removal of Pin/Socket from Connectors) (Not Shown)	
803	4460467	1	Extractor, Pin (Blue 16-18 Gauge) (For Removal of Pin/Socket from Connectors) (Not Shown)	
804	4460510	1	Extractor, Pin (Yellow 12-14 Gauge) (For Removal of Pin/Socket from Connectors) (Not Shown)	
805	7002828	1	Stripper, Wire (Not Shown)	
806	2901443	1	Analyzer Kit (Not Shown)	1/A
806A	1600244	1	Analyzer	
806B	1060633	1	Cable, Analyzer	
806C	4460321	2	Plug, Male	
	4460226	8	Socket, Female	



# SECTION 7 ELECTRICAL



## SECTION 7 ELECTRICAL

**FIGURE 7-7. HARNESS COMPONENTS INSTALLATION (MACHINES WITH UGM)**

ITEM #	PART NUMBER	QTY.	DESCRIPTION	REV.
		Ref.	<b>NOTE: FOR MODULE IDENTIFICATION, REFER TO REVISION LOG PAGE A.</b>	
		Ref.	<b>PLATFORM CONSOLE BOX COMPONENTS</b>	
1 to 2	Not Used			
3	0100048	A/R	Grease, Dielectric	
4 to 5	Not Used			
6	0272970	1	Footswitch Harness (Includes Footswitch)	A
	1060918	7ft/2.1m	Cable, Electrical - 18/3	
6A	4460071	1	Connector, Strain Relief	
6B	4460226	2	Socket, Female	
	4460464	1	Pin, Male	
7 to 38	Not Used			
39	4460428	2	Connector, Strain Relief	
40	4460470	1	Nut, Terminal	
41	4460471	1	Locknut, Terminal	
42	Not Used			
43	4460708	2	Connector - 15 Position	
44	4460905	5	Seal, Plug	
45	Not Used			
46	4922666	1	Harness, Analyzer Cable	2/B
46A	4460761	1	Connector - 4 Position	
	4460227	4	Pin, Male	
46B	4460226	4	Socket, Female	
47	Not Used			
48	1001107440	1	Harness, Platform Box (See Items 101-143 for Breakdown)	
	1001107440	Ref.	<b>PLATFORM BOX HARNESS ASSEMBLY</b>	D
101 to 118	Not Used			
119	4460866	1	Connector - 19 Position	
	4460464	7	Pin, Male Deutsch 16 Ga	
	4460508	3	Pin, Male Deutsch 12 Ga	
120	4460874	1	Connector - 35 Position (Natural)	
	4460871	22	Socket, Female	
121	4460875	1	Connector - 35 Position (Gray)	
	4460871	21	Socket, Female	
122	4460873	1	Connector - 35 Position (Black)	
	4460871	18	Socket, Female	
123 to 124	Not Used			
125	4460879	1	Connector 2 Position	
	4460887	2	Terminal (12 Gauge)	
126 to 129	Not Used			
130	4460418	6	Connector - 6 Position	
	4460419	18	Socket, Female	
131	Not Used			
132	4120035	10	Base, Light	

## SECTION 7 ELECTRICAL

**FIGURE 7-7. HARNESS COMPONENTS INSTALLATION (MACHINES WITH UGM)  
(CONTINUED)**

ITEM #	PART NUMBER	QTY.	DESCRIPTION	REV.
133	4460226	10	Terminal (16 Gauge)	
134	4460635	10	Terminal (12 Gauge)	
135	Not Used			
136	4460225	1	Connector - 6 Position	
	4460268	5	Socket, Female	
137	4460225	1	Connector - 6 Position	
	4460227	5	Pin, Male	
138 to 142	Not Used			
143	4460434	2	Connector - 15 Position	
	4460227	18	Pin	
		Ref.	<b>BOOM CABLES INSTALLATION</b>	
	0271160	Ref.	<b>400S (ANSI &amp; ANSI Export Specs)</b>	9
	1001093916	Ref.	<b>400S with Arctic Package (ANSI &amp; ANSI Export Specs)</b>	B
	0271162	Ref.	<b>400S (Australian &amp; CE Specs)</b>	9
	0272612	Ref.	<b>400S with 7500w SKYPOWER Generator</b>	5
	1001093922	Ref.	<b>400S with 7500w SKYPOWER Generator &amp; Arctic Package</b>	C
	0271159	Ref.	<b>460SJ (ANSI &amp; ANSI Export Specs)</b>	9
	1001093919	Ref.	<b>460SJ with Arctic Package (ANSI &amp; ANSI Export Specs)</b>	A
	0271161	Ref.	<b>460SJ (Australian &amp; CE Specs)</b>	9
	0272613	Ref.	<b>460SJ with 7500w SKYPOWER Generator</b>	5
	1001093924	Ref.	<b>460SJ with 7500w SKYPOWER Generator &amp; Arctic Package</b>	B
201 to 208	Not Used			
209		A/R	Cable, Electrical Options:	
	1060985	1	Cable, Electrical - 12/3 (400S without Arctic Package ANSI & ANSI Export Specs) (57ft/17.4m)	
	1001093917	1	Cable, Electrical - 12/3 (400S with Arctic Package ANSI & ANSI Export Specs) (57ft/17.4m)	
	1060986	1	Cable, Electrical - 12/3 (400S Australian & CE Specs) (57ft/17.4m)	
	4922802	1	Cable, Electrical - 8/5 (400S with 7500w SkyPower Generator) (62ft/18.9m)	
	4922802	1	Cable, Electrical - 8/5 (400S with Arctic Package & 7500w SkyPower Generator) (62ft/18.9m)	
	1060983	1	Cable, Electrical - 12/3 (460SJ without Arctic Package ANSI & ANSI Export Specs) (63ft/19.2m)	
	1001093920	1	Cable, Electrical - 12/3 (460SJ with Arctic Package ANSI & ANSI Export Specs) (63ft/19.2m)	
	1060984	1	Cable, Electrical - 12/3 (460SJ Australian & CE Specs) (63ft/19.2m)	
	4922803	1	Cable, Electrical - 8/5 (460SJ) (With 7500w SkyPower Generator) (68ft/20.7m)	
	4922803	1	Cable, Electrical - 8/5 (460SJ with Arctic Package & 7500w SkyPower Generator) (68ft/20.7m)	
210		A/R	Harness Assembly (12/4 - 18/8)	
	4922548	1	400S without Arctic Package	3/C
	1001093918	1	400S with Arctic Package	A
	4922547	1	460SJ without Arctic Package	3/C
	1001093921	1	460SJ with Arctic Package	A



## SECTION 7 ELECTRICAL

**FIGURE 7-7. HARNESS COMPONENTS INSTALLATION (MACHINES WITH UGM)  
(CONTINUED)**

ITEM #	PART NUMBER	QTY.	DESCRIPTION	REV.
210 (cont'd)		A/R	Cable, Electrical - 12/4&18/8 Options:	
	1060896	54ft/16.5m	400S without Arctic Package	
	4923462	54ft/16.5m	400S with Arctic Package	
	1060896	60ft/18.3m	460SJ without Arctic Package	
	4923462	60ft/18.3m	460SJ with Arctic Package	
210A	4460465	22	Socket, Female 18 Gauge	
210B	4460865	1	Connector Deutsch - 19 Position	
210C	4460509	8	Socket, Female 12 Gauge	
210D	4460473	1	Clamp. Cable	
210E	4460466	4	Seal, Plug	
211 to 223	Not Used			
224	4460865	1	Connector Deutsch - 19 Position	
225	4460473	1	Clamp. Cable	
		Ref.	<b>GROUND CONTROL BOX COMPONENTS</b>	
301	Not Used			
302	0100048	A/R	Grease, Dielectric	
303 to 325	Not Used			
326	4460428	3	Connector, Strain Relief	
327	4460470	1	Nut, Terminal	
328	4460471	1	Locknut, Terminal	
329	4460526	1	Connector, Strain Relief	
330 to 335	Not Used			
336	4922538	1	Valve Harness Assembly	4/D
336A	4460880	14	DIN Connector	
336B	4460320	1	Connector - 2 Position	
	4460267	2	Pin, Male	
336C	4460445	1	Connector - 3 Position	
	4460268	3	Pin, Female	
336D	4460836	2	Connector, Deutsch - 12 Position	
	4460837	2	Housing, Terminal Connector	
	4460465	22	Socket, Female	
336E	4460871	21	Socket, Female	
337		1	Engine Harness Assembly (See Items 401-463 for Breakdown)	
	1001102798		Caterpillar & Perkins Engine Machines	
	1001109114		Deutz Engine Machines	
	1001109089		GM Engine Machines	
338		1	Ground Control Box Harness Assembly	
	1001106999		Deutz, Caterpillar & Perkins Engine Machines	E
	3990010	2	Diode 6 Amp	
338A	4460536	1	Connector - 3 Position	
	4460943	3	Socket, Female	
338B	4460434	2	Connector - 15 Position	
	4460227	16	Pin	
338C	4460873	1	Connector - 35 Position (Black)	
	4460871	15	Socket, Female	
	4460905	1	Seal, Plug	

## SECTION 7 ELECTRICAL

**FIGURE 7-7. HARNESS COMPONENTS INSTALLATION (MACHINES WITH UGM)  
(CONTINUED)**

ITEM #	PART NUMBER	QTY.	DESCRIPTION	REV.
338D	4120035	6	Base, Light	
	4460634	7	Terminal (16 Gauge)	
	4460635	5	Terminal (12 Gauge)	
338E	4460418	7	Connector - 6 Position	
	4460419	21	Socket, Female	
338F	4460876	1	Connector - 35 Position (Blue)	
	4460871	22	Socket, Female	
	4460905	1	Seal, Plug	
338G	4460866	1	Connector - 19 Pin	
	4460464	7	Pin, Male Deutsch 16 Ga	
	4460508	3	Pin, Male (12 Gauge)	
338H	4460878	1	Housing, Terminal - 4 Position	
	4460887	3	Terminal (12 Gauge)	
338J	4460761	1	Connector - 4 Position	
	4460227	4	Pin, Male	
338K	4460874	1	Connector (Natural)	
	4460871	8	Socket, Female	
338L	4460875	1	Connector (Gray)	
	4460871	2	Socket, Female	
338M	1001112612	1	Connector	
	4460943	4	Pin, Male (Gold)	
338N	1001106340	1	Connector	
	4460871	5	Socket, Female	
338P	1001106339	1	Connector	
	4460871	2	Socket, Female	
339	Not Used			
340		1	Ground Control Box Wiring Diagram (Not Shown - See Items 501 to 513 for Breakdown)	
	1001102901	Ref.	Caterpillar & Perkins Engine Machines	
	1001109121	Ref.	Deutz Engine Machines	
	1001109200	Ref.	GM Engine Machines	
		Ref.	<b>ENGINE HARNESS ASSEMBLY</b>	
	1001102798	Ref.	<b>Caterpillar &amp; Perkins Engine</b>	E
	1001109114	Ref.	<b>Deutz Engine</b>	A
	1001109089	Ref.	<b>GM Engine</b>	A
401 to 416	Not Used			
417	4460424	1	Connector - 2 Position	
	4460268	2	Socket, Female	
418	4460424	1	Connector - 2 Position	
	4460226	2	Socket, Female	
419	4460880	2	DIN Connector without Diode	
420 to 422	Not Used			
423	4461070	1	Connector - 3 Position with Resistor (Deutz Engine Only)	
	4460944	3	Socket, Female (Deutz Engine Only)	
	4461095	1	Connector - 3 Position (Deutz Engine Only)	
424	Not Used			

## SECTION 7 ELECTRICAL

**FIGURE 7-7. HARNESS COMPONENTS INSTALLATION (MACHINES WITH UGM)  
(CONTINUED)**

ITEM #	PART NUMBER	QTY.	DESCRIPTION	REV.
425	4460539	1	Connector 3 Position	
	4460944	3	Socket, Female (Gold)	
426 to 427	Not Used			
428	4460742	A/R	Connector - 2 Position	
	4460457	A/R	Terminal, Female	
	4460458	A/R	Seal, Terminal	
429 to 432	Not Used			
433	4461052	1	Connector - 25 Position (Deutz Engine Only)	
	4461053	1	Cover, Receptacle (Deutz Engine Only)	
	4461005	5	Terminal (Deutz Engine Only)	
	4461006	5	Seal (Used with p/n 4461005) (Deutz Engine Only)	
	4461060	2	Terminal (Deutz Engine Only)	
	4461054	2	Seal (Used with p/n 4461060) (Deutz Engine Only)	
	4461008	18	Plug, Hole (Deutz Engine Only)	
	4461053	1	Plug, Cover (Deutz Engine Only)	
434 to 437	Not Used			
438	4460899	1	Connector - 6 Position (Caterpillar Engines Only)	
	4460464	2	Pin, Male (Caterpillar Engines Only)	
	4460466	1	Seal, Plug (Caterpillar Engines Only)	
439	4460871	A/R	Socket, Female	
440	Not Used			
441	3730125	1	Resistor 120 Ohm 4 Watt (Caterpillar & Perkins Engine Only)	
442 to 447	Not Used			
448	4461121	1	Plug, Male - 4 Position (GM Engine Only)	
	4461122	4	Socket, Female (GM Engine Only)	
	4461123	4	Seal, Terminal (GM Engine Only)	
449	4460834	1	Connector - 2 Position	
	4460842	2	Terminal, Female	
450	Not Used			
451	4461124	1	Receptacle, Female - 4 Position (GM Engine Only)	
	4460693	4	Pin, Male (GM Engine Only)	
	4460608	4	Seal, Terminal (GM Engine Only)	
	4461161	1	Lock, Terminal (GM Engine Only)	
452 to 453	Not Used			
454	4461109	1	Plug, Male - 16 Position (GM Engine Only)	
	4461111	7	Pin, Male (GM Engine Only)	
	4461113	7	Seal, Terminal (GM Engine Only)	
	4461222	9	Plug, Terminal (GM Engine Only)	
455	Not Used			
456	2902443	1	Kit, Receptacle (Deutz Engine Only)	
	4461071	8	Terminal, Female (Gold) (Deutz Engine Only)	
	4461072	1	Connector, Flange Mount (Deutz Engine Only)	
	4461073	1	Connector, Dust Cap (Deutz Engine Only)	
	4461074	1	Connector, Shell (Deutz Engine Only)	
457	Not Used			
458	4461157	1	Connector - 2 Position	
	4460458	2	Seal, Terminal	
	4460979	2	Pin, Male	

## SECTION 7 ELECTRICAL

**FIGURE 7-7. HARNESS COMPONENTS INSTALLATION (MACHINES WITH UGM)  
(CONTINUED)**

ITEM #	PART NUMBER	QTY.	DESCRIPTION	REV.
459	91504088	1	Connector - 6 Position (Caterpillar & Perkins Engine Only)	
	77363229	5	Terminal (Caterpillar & Perkins Engine Only)	
	4460466	A/R	Plug (Caterpillar & Perkins Engine Only)	
460	70020808	1	Connector 23 Position (Caterpillar & Perkins Engine Only)	
	4460871	16	Socket, Female (Caterpillar & Perkins Engine Only)	
461	91503103	1	Connector - 6 Position (Caterpillar & Perkins Engine Only)	
	77363228	6	Terminal (Caterpillar & Perkins Engine Only)	
	91504107	1	Lock, Connector (Caterpillar & Perkins Engine Only)	
	4460466	A/R	Plug (Caterpillar & Perkins Engine Only)	
462	See Note	1	Connector - 8 Position (Caterpillar & Perkins Engine Only) <b>(Note: Not Available for Purchase)</b>	
463	7026408	2	Connector - 2 Position (Caterpillar & Perkins Engine Only)	
	77363229	4	Terminal (Caterpillar & Perkins Engine Only)	
	80604018	2	Lock, Connector (Caterpillar & Perkins Engine Only)	
		Ref.	<b>GROUND CONTROL BOX WIRING DIAGRAM</b>	
	1001102901	Ref.	<b>Caterpillar &amp; Perkins Engine Machines</b>	G
	1001109121	Ref.	<b>Deutz Engine Machines</b>	C
	1001109200	Ref.	<b>GM Engine Machines</b>	B
501	2920129	A/R	Bulb, Light	
502 to 506	Not Used			
507	2400065	1	Fuse, 30Amp	
508	2400066	1	Fuse, Holder	
509	4460708	2	Receptacle, Female - 15 Position	
	4460226	11	Socket, Female	
	4922637	1	Harness, Jumper (Not Shown)	
	4922636	1	Harness, Jumper (Not Shown)	
510 to 512	Not Used			
513	4460894	1	Connector - 6 Position	
	4460892	1	Connector, Bussbar - 6 Position	
		Ref.	<b>STANDARD HARNESS COMPONENTS</b>	
601	4921927	1	Jib Valve Harness (460SJ Only)	
601A	4460326	1	Plug, Male - 3 Position	
	4460267	3	Pin, Male	
601B	4460499	2	Connector, DIN with Diode	
602	1001103769	1	Battery Cable Kit	B
602A	7027021	1	Cable, Battery (Red) (Battery to Auxiliary Power Relay)	
602B	7027022	1	Cable, Battery (Battery – & Auxiliary Pump to Ground) (Black)	
602C	7027024	1	Cable, Battery (Red) (Auxiliary Power Relay to Starter)	
602D	7027023	1	Cable, Battery (Auxiliary Relay to Auxiliary Pump) (Red)	
603	See Note	A/R	Deutz Engine Harness Components (Deutz Engine Machines Only) <b>(Note: Not Available for Purchase)</b>	
603A	7027796	1	Deutz Engine Harness	
603B	4461052	1	Connector - 25 Position	
	4461053	1	Cover, Receptacle	
	4461005	5	Terminal	

## SECTION 7 ELECTRICAL

**FIGURE 7-7. HARNESS COMPONENTS INSTALLATION (MACHINES WITH UGM)  
(CONTINUED)**

ITEM #	PART NUMBER	QTY.	DESCRIPTION	REV.
603B (cont'd)	4461006	5	Seal (Used with p/n 4461005)	
	4461060	2	Terminal	
	4461054	2	Seal (Used with p/n 4461060)	
	4461008	18	Plug, Hole	
603C	7027793	1	Plug-In, Connector	
603D	7027794	1	Deutz Engine Harness (For other replacement parts refer to Deutz engine dealer)	
604	See Note	2	Pump Harness ( <b>Note: Not Available for Purchase</b> )	
604A	7007497	2	Plug (Pump)	
604B	7007498	2	Plug (Valve Harness)	
605	See Note	1	Fuel Sender Harness ( <b>Note: Not Available for Purchase</b> )	
605A	See Note	1	Connector - 2 Position ( <b>Note: Not Available for Purchase</b> )	
	See Note	2	Terminal, Male ( <b>Note: Not Available for Purchase</b> )	
606	0257887	1	Alarm Harness (Includes Alarm)	
606A	4460424	1	Connector - 2 Position	
	4460268	2	Socket, Female	
607		A/R	Capacity/Elevation Cut-out Switch Harness Options (Includes Electrical Cable and Items 614A-614C):	
	4922714	2	400S (Includes Items 8.5ft/2.6m of p/n 1060902 18/2 Electrical Cable) (All Specs Except CE Spec)	B
	1001093914	2	400S with Arctic Package (Includes Items 8.5ft/2.6m of p/n 4923466 18/2 Polar Electrical Cable) (All Specs Except CE Spec)	A
	4922714	1	400S (Includes Items 8.5ft/2.6m of p/n 1060902 18/2 Electrical Cable) (CE Spec Only)	B
	4922714	1	460SJ (Includes Items 8.5ft/2.6m of p/n 1060902 18/2 Electrical Cable) (All Specs Except CE Spec)	B
	1001093914	1	460SJ with Arctic Package (Includes Items 8.5ft/2.6m of p/n 4923466 18/2 Polar Electrical Cable) (All Specs Except CE Spec)	A
	4922714	1	460SJ (Includes Items 8.5ft/2.6m of p/n 1060902 18/2 Electrical Cable) (CE Spec Only)	B
607A	4360548	1	Switch, Limit	
607B	4460968	1	Connector, Strain Relief	
607C	4460226	2	Socket, Female	
608	4922769	1	Transport Limit Switch Harness - 18/2 (Note: Does NOT include Limit Switch - Purchase Item 616 Separately)	
	4922769	1	400S (Includes Items 26.5ft/8.1m of p/n 1060680 18/2 Electrical Cable and 2 Sockets)	B
	1001093915	1	400S with Arctic Package (Includes Items 26.5ft/8.1m of p/n 4923466 18/2 Polar Electrical Cable and 2 Sockets)	A
	Not Required	0	460SJ	
608A	4460226	2	Socket, Female	
609		1	Switch, Limit Options:	
	4360549	1	400S (All Specs Except CE Spec)	
	4360578	1	400S (CE Specs)	
	Not Required	0	460SJ (All Specs Except CE Spec)	
	4360578	1	460SJ (CE Specs)	
	4460968	1	Connector, Strain Relief	

## SECTION 7 ELECTRICAL

**FIGURE 7-7. HARNESS COMPONENTS INSTALLATION (MACHINES WITH UGM)  
(CONTINUED)**

ITEM #	PART NUMBER	QTY.	DESCRIPTION	REV.
610	See Note	1	Speed Control Harness <b>(Note: Not Available for Purchase)</b>	
610A	4460224	1	Connector - 6 Position	
	4460226	6	Socket, Female	
611	See Note	1	Controller Harness Assembly (Lift and Swing) <b>(Note: Not Available for Purchase)</b>	
611A	7022819	1	Connector - 8 Position (Natural)	
	4460871	8	Socket, Female	
612	7022824	1	Controller Harness/Circuit Board Assembly (Drive and Steer)	
612A	7022825	1	Connector - 8 Position Black	
	4460871	7	Socket, Female	
613	4360517	1	Switch, Proximity	
613A	4460320	1	Connector - 2 Position	
	4460227	2	Pin, Male	
		Ref.	<b>OPTIONAL HARNESS COMPONENTS</b>	
701		Ref.	AC to Platform Receptacle Components Options:	
	0270022	Ref.	110V GFI Receptacle (All Specs Except CE Spec)	4
	0270024	Ref.	220V GFI Receptacle (All Specs Except CE Spec)	3
		Ref.	CE Specs Options:	
		Ref.	Without Generator:	
	1001091969	Ref.	110V with IEC Yellow Receptacle & Plug	B
	1001091970	Ref.	220V with IEC Blue Receptacle & Plug	B
	1001091975	Ref.	220V with AFSINT 107 Keyed Ground Receptacle & Plug	C
	1001091973	Ref.	220V with CEE 7 Post Ground Receptacle & Plug (2x4 Box)	C
	1001091971	Ref.	220V with CEE 7 Post Ground Receptacle & Plug (70x70 Box)	B
	1001091974	Ref.	220V with CEE 7 Side Ground Receptacle & Plug (2x4 Box)	C
	1001091972	Ref.	220V with CEE 7 Side Ground Receptacle & Plug (70x70 Box)	B
		Ref.	With 2500W Generator:	
	1001100326	Ref.	110V with IEC Yellow Receptacle & Plug	C
	1001100327	Ref.	220V with IEC Blue Receptacle & Plug	C
	1001100337	Ref.	220V with AFSINT 107 Keyed Ground Receptacle & Plug	C
	1001100331	Ref.	220V with CEE 7 Post Ground Receptacle & Plug (2x4 Box)	C
	1001100329	Ref.	220V with CEE 7 Post Ground Receptacle & Plug (70x70 Box)	C
	1001100333	Ref.	220V with CEE 7 Side Ground Receptacle & Plug (2x4 Box)	C
	1001100328	Ref.	220V with CEE 7 Side Ground Receptacle & Plug (70x70 Box)	C
	1001093275	Ref.	Breaker Box Installation (Required on CE Spec Machines without Powermite Generator Control Box)	B
	1001109863	Ref.	Breaker Box Installation (Required on CE Spec Machines with Powermite Generator Control Box)	A

## SECTION 7 ELECTRICAL

**FIGURE 7-7. HARNESS COMPONENTS INSTALLATION (MACHINES WITH UGM)  
(CONTINUED)**

ITEM #	PART NUMBER	QTY.	DESCRIPTION	REV.
701A	0860038	A/R	Box, Switch Options: 0270022 & 0270024 Installations 1001091969, 1001091970, 1001100326 & 100110327 Installations 1001091971, 1001091972, 1001100328 & 100110329 Installations ( <b>Note: Was p/n 0861782 which is no longer available. Use p/n 1001100344 CEE 7 Side Ground Service Kit or p/n 1001100343 CEE 7 Post Ground Service Kit. Kit include Box p/n 1001141967 &amp; items 701B, 701C &amp; 701D.</b> ) 1001091975, 1001091973, 1001091974, 1001100337 1001100331 & 100110333 Installations 1001100343, 1001100344, 1001141970 & 1001141971 Kits	
	0861781			
	See Note			
	0861731			
	1001141967			
701B	4460346	1	Receptacle Options: 0270022 Installation 0270024 Installation 1001091969 & 1001100326 Installation (Includes Cvr) 1001091970 & 1001100327 Installation (Includes Cvr) 1001091971 & 1001100328 Installation (Includes Cvr) (was p/n 4461204) 1001091972 & 1001100329 Installation (Includes Cvr) (was p/n 4461207) 1001091973 & 1001100331 Installation (Includes Cvr) 1001091974 & 1001100333 Installation (Includes Cvr) 1001091975 & 1001100337 Installation (Includes Cvr) 1001100343 & 1001141971 Kits 1001100344 & 1001141970 Kits	
	4460125			
	4461198			
	4461201			
	Use 1001100343			
	Use 1001100344			
	4461244			
	4461245			
	4461246			
	1001141968			
1001141969				
701C	4060700	1	Cover Options: 0270022 Installation (Side Hinged) 0270022 Installation (Top Hinged) 0270024 Installation 1001091969 & 1001100326 Installation (Includes Receptacle) 1001091970 & 1001100327 Installation (Includes Receptacle) 1001091971 & 1001100328 Installation (Includes Cvr) (was p/n 4461204) 1001091972 & 1001100329 Installation (Includes Cvr) (was p/n 4461207) 1001091973 & 1001100331 Installation (Includes Receptacle) 1001091974 & 1001100333 Installation (Includes Receptacle) 1001091975 & 1001100337 Installation (Includes Receptacle) 1001100343 & 1001141971 Kits 1001100344 & 1001141970 Kits	
	1001110873			
	4060092			
	4461198			
	4461201			
	Use 1001100343			
	Use 1001100344			
	4461244			
	4461245			
	4461246			
1001141968				
1001141969				
701D	4460205	1	Plug Options (With 2500W Generator Only): 0270022 Installation (Male) 0270024 Installation (Male)	
	4460233			

## SECTION 7 ELECTRICAL

**FIGURE 7-7. HARNESS COMPONENTS INSTALLATION (MACHINES WITH UGM)  
(CONTINUED)**

ITEM #	PART NUMBER	QTY.	DESCRIPTION	REV.
701D (cont'd)	4461196		1001091969 & 1001100326 Installation (Male)	
	4461197		1001091969 & 1001100326 Installation (Female)	
	4461199		1001091970 & 1001100327 Installation (Male)	
	4461200		1001091970 & 1001100327 Installation (Female)	
	4461202		1001091973, 1001091971, 1001100331 & 1001100328 Installations & 1001100343 & 1001141971 Kits (Male)	
	4461203		1001091973, 1001091971, 1001100331 & 1001100328 Installations & 1001100343 & 1001141971 Kits (Female)	
	4461205		1001091974, 1001901972, 1001100333 & 1001100329 Installation & 1001100344 & 1001141970 Kits (Male)	
	4461206		1001091974, 1001901972, 1001100333 & 1001100329 Installation & 1001100344 & 1001141970 Kits (Female)	
	4461249		1001091975 & 1001100337 Installation (Male)	
	4461250		1001091975 & 1001100337 Installations (Female)	
701E		1	Connector, Strain Relief Options: 0270022 & 0270024 Installations	
	4460071		1001091969, 1001091970, 1001091971, 1001091972, 1001100326, 1001100327, 1001100328 & 1001100329 Installations (S/N 0300096000 to S/N 0300127205)	
	4460968		1001091969, 1001091970, 1001091971, 1001091972, 1001100326, 1001100327, 1001100328 & 1001100329 Installations	
	1001101191		1001091969, 1001091970, 1001091971, 1001091972, 1001100326, 1001100327, 1001100328 & 1001100329 Installations	
	4460662		1001091975, 1001091973, 1001091974, 1001100337, 1001100331 & 1001100333 Installations	
	4460968		1001091975, 1001091973, 1001091974, 1001100337, 1001100331 & 1001100333 Installations	
	1001101191		1001091975, 1001091973, 1001091974, 1001100337, 1001100331 & 1001100333 Installations	
		1	Adapter, Strain Relief Options: 0270022 & 0270024 Installations	
	Not Required		1001091969, 1001091970, 1001091971, 1001091972, 1001100326, 1001100327, 1001100328 & 1001100329 Installations	
	Not Required		1001091969, 1001091970, 1001091971, 1001091972, 1001100326, 1001100327, 1001100328 & 1001100329 Installations	
		1001091975, 1001091973, 1001091974, 1001100337, 1001100331 & 1001100333 Installations		
		1001091975, 1001091973, 1001091974, 1001100337, 1001100331 & 1001100333 Installations		
		1001091975, 1001091973, 1001091974, 1001100337, 1001100331 & 1001100333 Installations		
	0100020	A/R	Sealant	
701F	3960422	1	Gasket (0270022 & 0270024 Installations Only)	
701G	4460315	1	Terminal, Spade (0270022 & 0270024 Installations Only) (Not Shown)	



# SECTION 7 ELECTRICAL

**FIGURE 7-7. HARNESS COMPONENTS INSTALLATION (MACHINES WITH UGM)  
(CONTINUED)**

ITEM #	PART NUMBER	QTY.	DESCRIPTION	REV.
701H	1703464 3252507	1	Decal - AC Power (Not Shown) 110V 220V	
701J	0903484	A/R	Bracket, Receptacle Box Mounting (Only Required on CE Spec Installations)	
701K	0903566	1	Bracket, Circuit Breaker Mounting (Only Required on CE Spec Installations)	
701L	2902549 1001109864	A/R	Breaker, Circuit Kit Options (Only Required on CE Spec Installations): Kit (Without Powermite Generator Control Box) Kit (With Powermite Generator Control Box)	D B
		1 Ref.	Circuit Breaker Options: <b>Note: Kit p/n 2902549 Kit used a single large breaker p/n 2400093. Replace with 2 breakers. For machines with Powermite Generator Control Box use both p/ns 1001109477 &amp; 1001109482. For machines without Powermite Generator Control Box use both p/ns 1001109475 &amp; 1001109482.</b>	
	1001109477		Breaker 10A	
	1001109475		Breaker 16A	
	1001109482		Breaker 30mA	
	0861880	1	Breaker Box	
	4460957	1	Terminal Block	
	4460956	1	Barrier, Terminal Block	
701M	1001097150	2	Connector, Strain Relief (Only Required on CE Spec Installations)	
701N	1060908	6ft/1.8m 10ft/3m	Cable, Extension Options (Only Required on CE Spec Installations): Without Powermite Generator Control Box With Powermite Generator Control Box	
	0275216	1	Receptacle, Box & Plug Kit (110V IEC Yellow) (Includes Items 701A-701C & Male 701D Plug End) (1001091969 Installation)	1/A
	1001100341	1	Receptacle & Box Kit (110V IEC Yellow) (Includes Items 701A-701C& Male 701D Plug End) (1001100326 Installation)	2/A
	0275217	1	Receptacle, Box & Plug Kit (220V IEC Blue) (Includes Items 701A-701C & Male 701D Plug End) (1001091970 Installation)	1/A
	1001100342	1	Receptacle & Box Kit (220V IEC Blue) (Includes Items 701A-701C& Male 701D Plug End) (1001100327 Installation)	2/A
	Use 1001100343	1	Receptacle, Box & Plug Kit (220V CEE 7 Post Ground with 70x70 Box) (Includes Items 701A-701C & Male 701D Plug End) (1001091971 Installation) (was p/n 0275218)	B/B
	1001100343	1	Receptacle & Box Kit (220V CEE 7 Post Ground with 70x70 Box) (Includes Items 701A-701C& Male 701D Plug End) (1001100328 Installation)	2/A

## SECTION 7 ELECTRICAL

**FIGURE 7-7. HARNESS COMPONENTS INSTALLATION (MACHINES WITH UGM)  
(CONTINUED)**

ITEM #	PART NUMBER	QTY.	DESCRIPTION	REV.
	Use 1001100344	1	Receptacle, Box & Plug Kit (220V CEE 7 Side Ground with 70x70 Box) (Includes Items 701A-701C & Male 701D Plug End) (1001091972 Installation) (was p/n 0275219)	B/B
	1001100344	1	Receptacle & Box Kit (220V CEE 7 Side Ground with 70x70 Box) (Includes Items 701A-701C & Male 701D Plug End) (1001100329 Installation)	2/A
	0275452	1	Receptacle, Box & Plug Kit (220V CEE 7 Post Ground with 2x4 Box) (Includes Items 701A-701C & Male 701D Plug End) (1001091973 Installation)	1/A
	1001100345	1	Receptacle & Box Kit (220V CEE 7 Post Ground with 2x4 Box) (Includes Items 701A-701C & Male 701D Plug End) (1001100331 Installation)	2/A
	0275453	1	Receptacle, Box & Plug Kit (220V CEE 7 Side Ground with 2x4 Box) (Includes Item 701A-701C & Male 701D Plug End) (1001091974 Installation)	1/A
	1001100347	1	Receptacle & Box Kit (220V CEE 7 Side Ground with 2x4 Box) (Includes Item 701A-701C & Male 701D Plug End) (1001100333 Installation)	2/A
	0275454	1	Receptacle, Box & Plug Kit (220V AFSINT 107 Keyed Ground) (Includes Items 701A-701C & Male 701D Plug End) (1001091975 Installation)	1/A
	1001100346	1	Receptacle & Box Kit (220V AFSINT 107 Keyed Ground) (Includes Items 701A-701C & Male 701D Plug End) (1001100337 Installation)	2/A
	2902549	1	Circuit Breaker Box Kit (Includes Items 701L-701N) (Only Required on CE Spec Installations)	C
			-----	
702		Ref.	Generator Electrical Components	
	1001112588	Ref.	110V (Caterpillar & Perkins Engines)	A
	1001100027	Ref.	110V (Deutz Engines 50Hz)	5/E
	1001112743	Ref.	110V (Perkins Engines 50Hz)	B
	4933350	Ref.	110V (GM Engines)	B
	1001100027	Ref.	220V (Deutz 50Hz)	5/E
	1001112743	Ref.	220V (Perkins 50Hz)	B
702A	4460321	1	Connector - 4 Position	
	4460906	4	Socket, Female	
702B	4922641	1	Harness - On/Off Switch	1/A
702C	4460226	2	Socket, Female	
702D		1	Powermite Control Box to Relay Harness Options:	
	1001112589		110V (Caterpillar/Perkins Engines)	A
	4922970		110V/220V (Deutz Engines)	1/A
	1001112589		220V (Perkins Engines)	A
702E	4460375	3	Terminal	
702F	4460742	1	Connector - 2 Position (Caterpillar/Perkins Engines)	
	4460743	2	Socket, Female (Caterpillar/Perkins Engines)	
	4460458	2	Seal, Wire (Caterpillar/Perkins Engines)	
702G	7020193	1	2500W Generator Power Cable	
702H	See Note	1	Control Box Harness ( <b>Note: Not Available for Purchase</b> )	
702J	4460961	1	Connector, Female - 4 Position	
	4460705	4	Pin, Male	

## SECTION 7 ELECTRICAL

**FIGURE 7-7. HARNESS COMPONENTS INSTALLATION (MACHINES WITH UGM)  
(CONTINUED)**

ITEM #	PART NUMBER	QTY.	DESCRIPTION	REV.
703		Ref.	7500W SkyPower Generator Installation	
	100112101	Ref.	60Hz & Caterpillar/Perkins Engine	A
	100112408	Ref.	50Hz Spec & Caterpillar/Perkins Engine	A
	100115390	Ref.	60Hz & Deutz Engine	A
	100115721	Ref.	50Hz Spec & Deutz Engine	A
	0275057	Ref.	60Hz Spec & GM Engine	F
703A		1	Connector Twist-Lock Options:	
	4460958 See Note		60Hz Spec 50Hz Spec <b>(Note: Not Available - Purchase Locally)</b>	
703B		2	Gasket Options:	
	3960422 See Note		60Hz Spec 50Hz Spec <b>(Note: Not Available - Purchase Locally)</b>	
703C		1	Cover, Receptacle Options:	
	4060700		60Hz Spec (Side Hinged)	
	100110873 See Note		60Hz Spec (Top Hinged) 50Hz Spec <b>(Note: Not Available - Purchase Locally)</b>	
703D		1	Cover, Receptacle Options:	
	4061043		60Hz Spec (Side Hinged)	
	100110872 See Note		60Hz Spec (Top Hinged) 50Hz Spec <b>(Note: Not Available - Purchase Locally)</b>	
703E		1	Receptacle Options:	
	4460346 See Note		60Hz Spec 50Hz Spec <b>(Note: Not Available - Purchase Locally)</b>	
703F	4460051	1	Connector, Strain Relief	
703G	4460071	1	Connector, Strain Relief	
703H	4922925	1	Harness, Generator	
703I	See Note	1	Connector - 6 Position <b>(Note: Not Available for Purchase)</b>	
	See Note	6	Socket, Female <b>(Note: Not Available for Purchase)</b>	
703J	4460225	1	Plug, Male - 6 Position	
	4460226	6	Socket, Female	
704		Ref.	7500W SkyPower Generator Junction Box Components	
	0861542	Ref.	60Hz Spec	D
	0861567	Ref.	50Hz Specs	B
704A		2ft/.6m	Cable, Electrical 12/3	
	1060494 See Note		60Hz Spec 50Hz Spec <b>(Note: Not Available - Purchase Locally)</b>	
704B		2.5ft/.76m	Cable, Electrical 10/3	
	1060708 See Note		60Hz Spec 50Hz Spec <b>(Note: Not Available - Purchase Locally)</b>	
704C	1060343	1.5ft/.46m	Cable, Electrical 10/4 (60Hz Spec Only)	
704D	4460425	2	Connector, Strain Relief	
704E		A/R	Component Options:	
	4460426	2	Connector, Strain Relief (60Hz Spec Only)	
	4460426	1	Connector, Strain Relief (50Hz Spec Only)	
	3520189	1	Plug (50Hz Spec Only)	
704F	1671092	1	Cover (60Hz Spec Only)	
	4460963	1	Connector (60Hz Spec Only)	

## SECTION 7 ELECTRICAL

**FIGURE 7-7. HARNESS COMPONENTS INSTALLATION (MACHINES WITH UGM)  
(CONTINUED)**

ITEM #	PART NUMBER	QTY.	DESCRIPTION	REV.
705		Ref.	7500W Generator Electrical Diagram Components Options:	
	1001112586	Ref.	Caterpillar, Deutz & Perkins Engine Machines	A
	4933349	Ref.	Gm Engine Machines	B
705A		1	Generator Harness Options:	
	1001112587		Caterpillar, Deutz & Perkins Engine Machines	A
	4923420		Gm Engine Machines	A
705B	4460374	2	Plug, Sealed Relay	
	4460375	7	Terminal	
705C	4460967	1	Plug, Male - 3 Position	
	4460465	3	Socket, Female	
705D	2400060	1	Fuseholder	
	2400064	1	Fuse - 5 Amp	
705E	4922641	1	Switch Harness	
705F	4460742	1	Connector - 2 Position (Caterpillar, Deutz & Perkins Engines)	
	4460743	2	Socket, Female (Caterpillar, Deutz & Perkins Engines)	
	4460458	2	Seal, Wire (Caterpillar, Deutz & Perkins Engines)	
706	0255917	1	Strobe Light Harness (Includes Strobe Light)	C
706A	4460320	1	Connector, Female - 2 Position	
	4460267	2	Pin, Male	
707	See Note	1	Lights Harness ( <b>Note: Not Available for Purchase</b> )	
	1060341	37ft/11.3m	Cable, Electrical - 16/2	
707A	3740049	1	Relay	
	4922643	1	Harness, Bag (Located at Ground Control Box) (Not Shown)	
708		A/R	Platform Worklights Components	
708A		1	Harness, Console Box to Aux Relay Options:	
	1060983		400S (63ft/19.2m of 12/3 Cable P/N 1060494)	
	4922965		460SJ (69ft/21m of 12/3 Cable P/N 1060494)	
708B	2920140	2	Platform Worklights External Harness (Includes Light & Wire Only)	
708C	4460426	1	Connector, Strain Relief	
708D	2400070	1	Fuse	
	2400066	1	Holder, Fuse	
709		A/R	Platform Floodlights Components	
709A	2920157	2	Platform Floodlights External Harness (Includes Lights and Wire Only) (Not Shown)	
709B		1	Harness, Console Box to Aux Relay Options:	
	1060983		400S (63ft/19.2m of 12/3 Cable P/N 1060494)	
	4922965		460SJ (69ft/21m of 12/3 Cable P/N 1060494)	
709C	4933313	Ref.	Platform Floodlight Wiring Diagram Components	1/A
709D	4460320	2	Connector - 2 Position	
	4460227	4	Pin, Male	
709E	1060977	1	Cord, 2 Wire Coiled (Console Box Circuit Breaker to Switch)	
709F	4922764	2	Platform Floodlights Harness (Lights to Switch) (Not Shown)	1/A
709G	4460424	2	Connector - 2 Position	
	4460226	4	Socket, Female	
709H	4360232	1	Circuit Breaker, 15Amp	
709J	4460425	1	Connector, Strain Relief	

## SECTION 7 ELECTRICAL

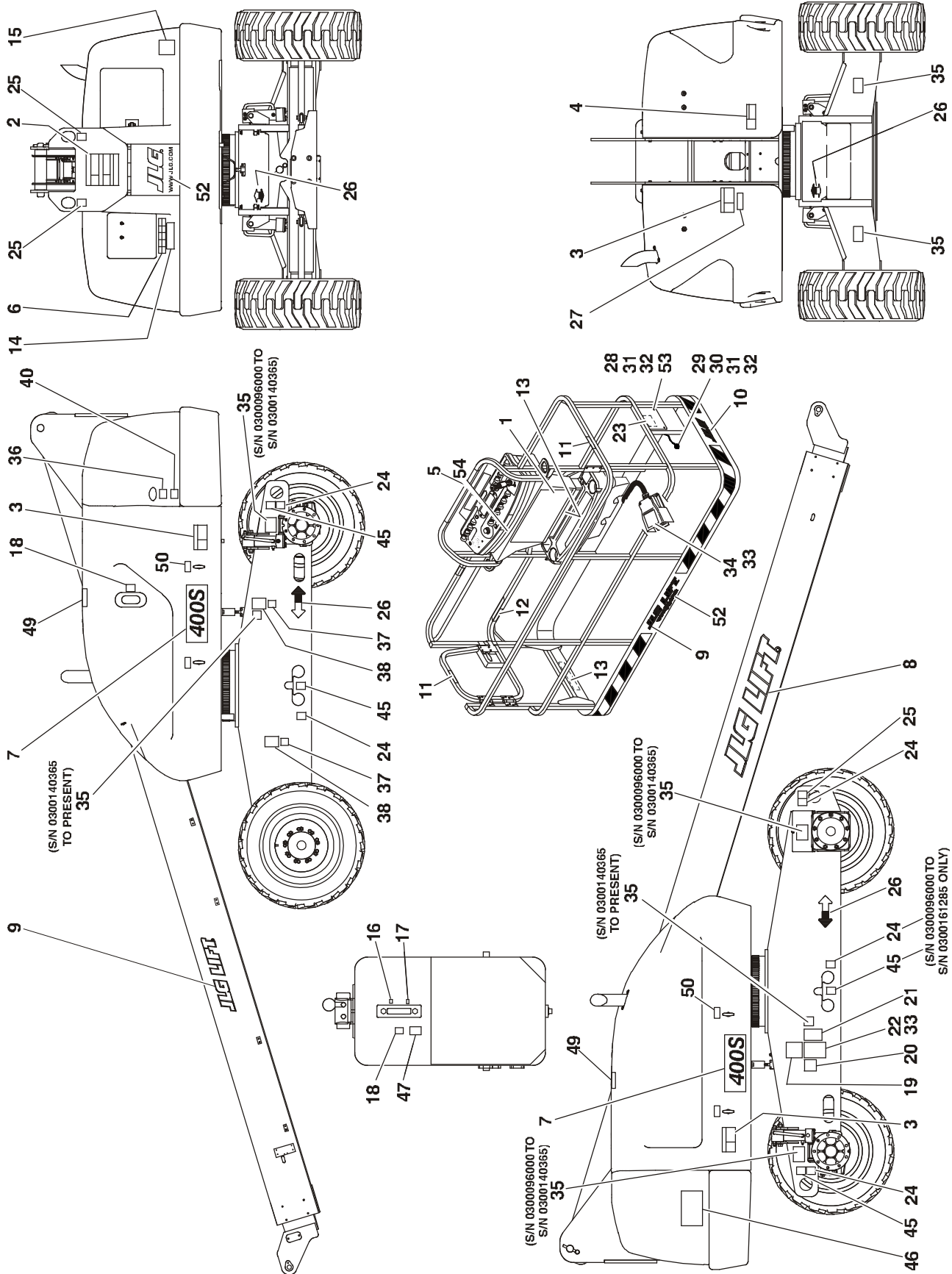
**FIGURE 7-7. HARNESS COMPONENTS INSTALLATION (MACHINES WITH UGM)  
(CONTINUED)**

ITEM #	PART NUMBER	QTY.	DESCRIPTION	REV.
710	4933218	1	Soft-Touch System Wiring Diagram	1/B
710A	1060902	23ft/7m	Cable, Electrical - 18/2	
710B	4460871	2	Socket, Female	
		Ref.	<b>TOOLS</b>	
801	7002821	1	Crimper (For Wire to Pin/Socket Connections) (Not Shown)	
802	7002823	1	Extractor (For Removal of Pin/Socket from Connectors) (Not Shown)	
803	4460467	1	Extractor, Pin (Blue 16-18 Gauge) (For Removal of Pin/Socket from Connectors) (Not Shown)	
804	4460510	1	Extractor, Pin (Yellow 12-14 Gauge) (For Removal of Pin/Socket from Connectors) (Not Shown)	
805	7002828	1	Stripper, Wire (Not Shown)	
806	2901443	1	Analyzer Kit	1/A
806A	1600244	1	Analyzer	
806B	1060633	1	Cable, Analyzer	
806C	4460321	2	Plug, Male	
	4460226	8	Socket, Female	

# **SECTION 8 DECALS**

# SECTION 8 DECALS

## FIGURE 8-1. DECAL INSTALLATION (ANSI SPEC)



## SECTION 8 DECALS

**FIGURE 8-1. DECAL INSTALLATION (ANSI SPEC)**

ITEM #	PART NUMBER	QTY.	DESCRIPTION	REV.
		Ref.	<b>STANDARD DECAL INSTALLATIONS</b>	
	0270398	Ref.	<b>Decals JLG</b>	4
	0259159	Ref.	<b>Model 400S with 500LB Capacity</b>	C
	0259981	Ref.	<b>Model 400S with 750LB Capacity</b>	C
	0259160	Ref.	<b>Model 460SJ</b>	C
1	1703797	1	Decal - Danger/Warning (Platform)	
2	1703798	1	Decal - Danger/Warning (Ground Control)	
3	1703805	2	Decal - Danger/Electrocution	
4	1703804	3	Decal - Warning Crushing	
5		1	Decal - Legend (Platform) Options: S/N 0300096000 to S/N 0300140365	
	1706708		S/N 0300140365 to Present	
	1001108492	1	Decal - Legend (Ground Control) Options: S/N 0300096000 to S/N 0300099084	
6	1706709		S/N 0300099084 to Present	
	1706941	2	Decal - Model Designation Options: Model 400S	
7	1704472		Model 460SJ	
	1704473	2	Decal - JLG Lift (8in)	
8	1702861	1	Decal - JLG Lift (3.5in)	
9	1702774	1	Decal - JLG (5in)	
10	1702773	2	Decal - No Hands	
11	1702868	3	Decal - Attach Lanyard Here	
12	1704277	2	Decal - Capacity (Platform) Options: 400S with 500 Lbs. Maximum Capacity Options: S/N 0300096000 to S/N 0300142870	
	1704096		S/N 0300142870 to Present	
	1001121800		400S with 750 Lbs. Maximum Capacity Options: S/N 0300096000 to S/N 0300142870	
	1704488		S/N 0300142870 to Present	
	1001125322		460SJ Options: S/N 0300096000 to S/N 0300142870	
	1701645		S/N 0300142870 to Present	
14	1001121801	1	Decal - Capacity (Ground Control) Options: 400S with 500 Lbs. Maximum Capacity Options: S/N 0300096000 to S/N 0300100315	
	1704104		S/N 0300100315 to S/N 0300142870	
	1707014		S/N 0300142870 to Present	
	1001121813		400S with 750 Lbs. Maximum Capacity Options: S/N 0300096000 to S/N 0300100315	
	1704489		S/N 0300100315 to S/N 0300142870	
	1707129		S/N 0300142870 to Present	
	1001125331		460SJ Options: S/N 0300096000 to S/N 0300100315	
	1702688		S/N 0300100315 to S/N 0300142870	
	1707013		S/N 0300142870 to Present	
	1001121814	1	Decal - USA	
15	3251813	1	Decal - High Oil Level (S/N 0300096000 to S/N 0300128256)	
16	1701502	1		



## SECTION 8 DECALS

**FIGURE 8-1. DECAL INSTALLATION (ANSI SPEC) (CONTINUED)**

ITEM #	PART NUMBER	QTY.	DESCRIPTION	REV.
17	1701503	1	Decal - Low Oil Level (S/N 0300096000 to S/N 0300128256)	
18	1701504	2	Decal - Hydraulic Oil	
19	1702153	1	Decal - Inspection (S/N 0300096000 to S/N 0300128256)	
20	See Note	1	Decal - Bar Code ( <b>Note: Not Available for Purchase</b> )	
21		1	Decal - Patent Options:	
	1700584		S/N 0300096000 to S/N 0300161240	
	1001131269		S/N 0300161240 to Present	
22	See Note	1	Nameplate - Serial Number ( <b>Note: Not Available for Purchase</b> )	
23	1701509	1	Decal - Manual	
24	1702300	A/R	Decal - Tie Down	
25	1701500	4	Decal - Lift	
26	1701529	4	Decal - Arrow	
27	3251243	1	Nameplate - 120V-60Hz	
28	0860520	1	Box, Manual Storage	
29	1060279	1	Cable, Lanyard (S/N 0300096000 to S/N 0300143951)	
30	0641408	1	Bolt 1/4in-20NC x 1in (S/N 0300096000 to S/N 0300143951)	
31	4751400	A/R	Flatwasher 1/4in Regular	
32	3311405	1	Locknut 1/4in-20NC (S/N 0300096000 to S/N 0300143951)	
33	3820001	A/R	Rivet	
34	3252347	1	Decal - Footswitch	
35		A/R	Decal - Maximum Tire Load Options:	
		4	S/N 0300096000 to S/N 0300140365:	
	Use 1706126		Model 400S with 500LB Capacity ( )	
	1704829		Model 400S with 750LB Capacity	
	1704828		Model 460SJ	
		2	S/N 0300140365 to Present:	
	1706126		Model 400S with 500LB Capacity	
	1704829		Model 400S with 750LB Capacity	
	1704828		Model 460SJ	
36		1	Decal - Fuel	
	1701542		GM Engine Machines	
	1701505		Caterpillar, Deutz & Perkins Engine Machines	
37		A/R	Decal - LPG Gas	
	Not Required	0	Non-Dual Fuel Machines	
	1701543	1	Dual Fuel Machines	
38		A/R	Decal - LP Gas Liquid Withdrawal System	
	Not Required	0	Non-Dual Fuel Machines	
	1700818	1	Dual Fuel Machines	
39	Not Used			
40	1001108923	1	Decal - EPA/Carb Spec (Diesel Machines)	
41 to 44	Not Used			
45	1701499	A/R	Decal - No Lift	
46		1	Decal - Lift Diagram Options:	
	3252672		S/N 0300096000 to S/N 0300161285	
	1001145140		S/N 0300161285 to Present	
47	1704412	1	Decal - Hydraulic Oil Chart	
48	Not Used			
49	1701691	4	Decal - No Step	
50	1704726	4	Decal - Lock Latch	

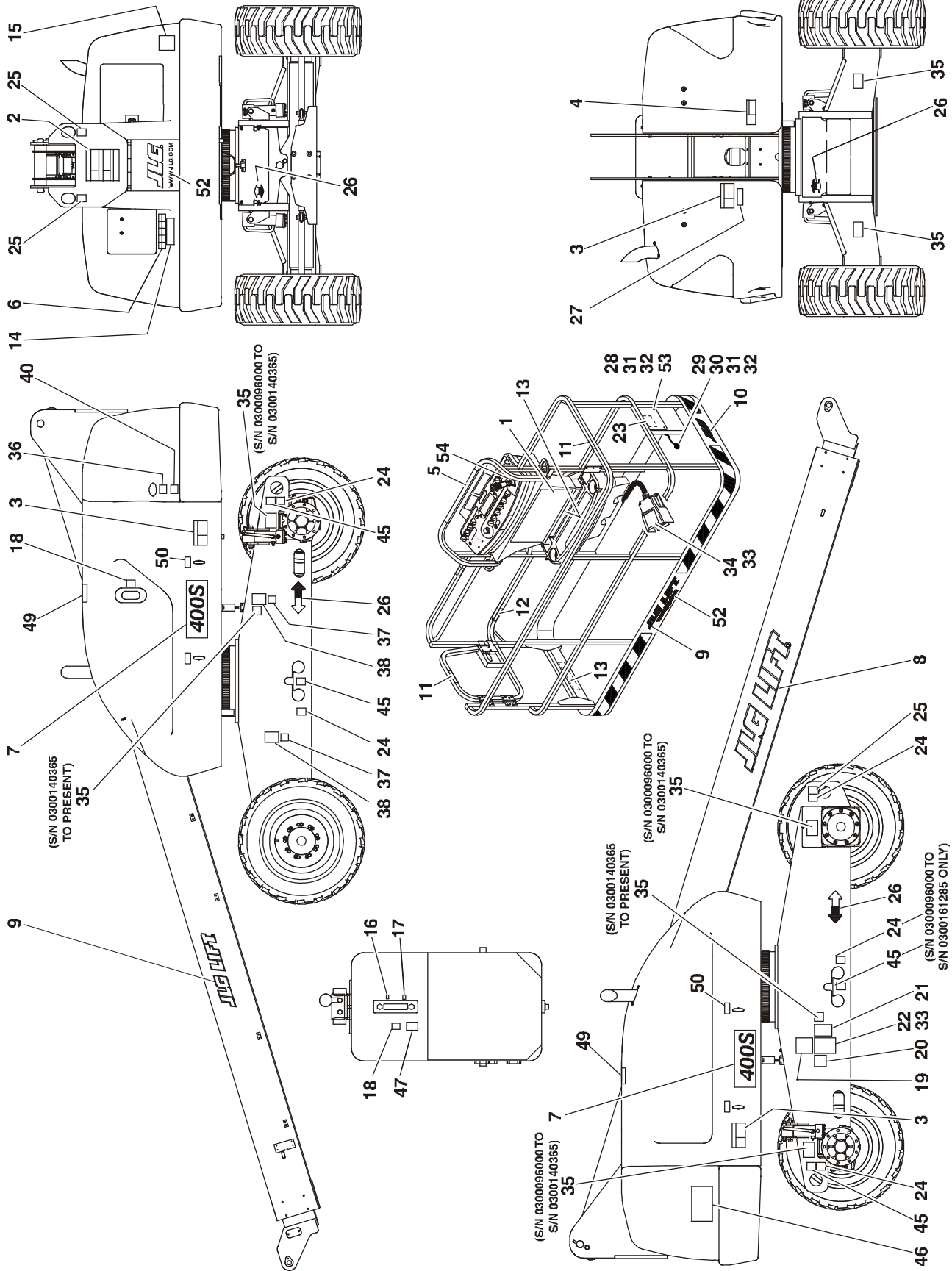
# SECTION 8 DECALS

## FIGURE 8-1. DECAL INSTALLATION (ANSI SPEC) (CONTINUED)

ITEM #	PART NUMBER	QTY.	DESCRIPTION	REV.
51	Not Used	1		
52	1704885	2	Decal - WWW.JLG.COM	
53	0641406	4	Bolt 1/4in-20NC x 3/4in	
54	1705351	1	Decal - Drive/Steer Instructions (S/N 0300140365 to Present)	

# SECTION 8 DECALS

## FIGURE 8-2. DECAL INSTALLATION (ANSI EXPORT SPECS)



## SECTION 8 DECALS

**FIGURE 8-2. DECAL INSTALLATION (ANSI EXPORT SPECS)**

ITEM #	PART NUMBER	QTY.	DESCRIPTION	REV.
		Ref.	<b>DECAL INSTALLATIONS</b>	
	0270398	Ref.	<b>Decals JLG</b>	4
		Ref.	<b>Model 400S with 500LB Capacity</b>	
	0259185	Ref.	<b>Brazilian Spec (Dual Language - Portuguese/Spanish)</b>	C
	0259183	Ref.	<b>Chinese Spec (Dual Language - Chinese/ English)</b>	C
	0259181	Ref.	<b>CSA Spec (Dual Language - English/French)</b>	C
	0259175	Ref.	<b>Japanese Spec</b>	C
	0259177	Ref.	<b>Korean Spec</b>	C
	0259179	Ref.	<b>Latin American Spec (Dual Language - English/Spanish)</b>	C
		Ref.	<b>Model 400S with 750LB Capacity</b>	
	0259994	Ref.	<b>Brazilian Spec (Dual Language - Portuguese/Spanish)</b>	C
	0259993	Ref.	<b>Chinese Spec (Dual Language - Chinese/ English)</b>	C
	0259992	Ref.	<b>CSA Spec (Dual Language - English/French)</b>	C
	0259989	Ref.	<b>Japanese Spec</b>	C
	0259990	Ref.	<b>Korean Spec</b>	C
	0259991	Ref.	<b>Latin American Spec (Dual Language - English/Spanish)</b>	C
		Ref.	<b>Model 460SJ</b>	
	0259186	Ref.	<b>Brazilian Spec (Dual Language - Portuguese/Spanish)</b>	C
	0259184	Ref.	<b>Chinese Spec (Dual Language - Chinese/ English)</b>	C
	0259182	Ref.	<b>CSA Spec (Dual Language - English/French)</b>	C
	0259176	Ref.	<b>Japanese Spec</b>	C
	0259178	Ref.	<b>Korean Spec</b>	C
	0259180	Ref.	<b>Latin American Spec (Dual Language - English/Spanish)</b>	C
1		1	Decal - Danger/Warning (Platform) Options:	
	1703928		Brazilian Spec	
	1703925		Chinese Spec	
	1703924		CSA Spec	
	1703926		Japanese Spec	
	1703927		Korean Spec	
	1703923		Latin American Spec	
2		1	Decal - Danger/Warning (Ground Control) Options	
	1703934		Brazilian Spec	
	1703931		Chinese Spec	
	1703930		CSA Spec	
	1703932		Japanese Spec	
	1703933		Korean Spec	
	1703929		Latin American Spec	
3		2	Decal - Danger/Electrocution Options:	
	1703940		Brazilian Spec	
	1703937		Chinese Spec	
	1703936		CSA Spec	
	1703938		Japanese Spec	
	1703939		Korean Spec	
	1703935		Latin American Spec	

## SECTION 8 DECALS

**FIGURE 8-2. DECAL INSTALLATION (ANSI EXPORT SPECS) (CONTINUED)**

ITEM #	PART NUMBER	QTY.	DESCRIPTION	REV.
4	1703952	3	Decal - Warning Crushing Options: Brazilian Spec Chinese Spec CSA Spec Japanese Spec Korean Spec Latin American Spec	
	1703949			
	1703948			
	1703950			
	1703951			
	1703947			
5	1706708	1	Decal - Legend (Platform) Options: S/N 0300096000 to S/N 0300140365 S/N 0300140365 to Present	
	1001108492			
6	1706709	1	Decal - Legend (Ground Control) Options: S/N 0300096000 to S/N 0300099084 S/N 0300099084 to Present	
	1706941			
7	1704472	2	Decal - Model Designation Options: Model 400S Model 460SJ	
	1704473			
8	1702861	2	Decal - JLG Lift (8in)	
9	1702774	1	Decal - JLG Lift (3.5in)	
10	1702773	1	Decal - JLG (5in)	
11		A/R	Decal - No Hands Options:	
	1704002	2	Brazilian Spec	
	Not Required	0	Chinese/Japanese/Korean Specs	
	1704000	2	CSA Spec	
12	1704001	2	Latin American Spec	
		A/R	Decal - Attach Lanyard Here Options:	
	1704005	3	Brazilian Spec	
	1704003	3	CSA Spec	
	1704277	3	Chinese/Japanese/Korean Spec	
13	1704004	3	Latin American Spec	
		A/R	Decal - Capacity (Platform) Options:	
		A/R	230kg/500lb Maximum Capacity Options: S/N 0300096000 to S/N 0300100315:	
	1703996	2	Brazilian Spec - 460SJ	
	1703996	2	Chinese Spec - 460SJ	
	1703996	2	CSA Spec - 460SJ	
	1703996	1	Japanese Spec - 460SJ	
			S/N 0300096000 to S/N 0300142870:	
	1704100	2	Brazilian Spec - 400S	
	1704101	2	Chinese Spec - 400S	
	1704099	2	CSA Spec - 400S	
	1704102	2	Japanese Spec - 400S	
	1704103	2	Korean Spec - 400S	
1704098	2	Latin American Spec - 400S		
1701645	2	Latin American Spec - 460SJ		
1703996	1	S/N 0300096000 to S/N 0300103508: Korean Spec - 460SJ		

## SECTION 8 DECALS

**FIGURE 8-2. DECAL INSTALLATION (ANSI EXPORT SPECS) (CONTINUED)**

ITEM #	PART NUMBER	QTY.	DESCRIPTION	REV.	
13 (cont'd)			S/N 0300100315 to S/N 0300142870:		
	1707134	2	Brazilian Spec - 460SJ		
	1707060	2	Chinese Spec - 460SJ		
	1707055	2	CSA Spec - 460SJ		
	1707059	2	Japanese Spec - 460SJ		
				S/N 0300103508 to S/N 0300142870:	
	1707058	2	Korean Spec - 460SJ		
				S/N 0300142870 to Present:	
	1001125330	2	Brazilian Spec - 400S		
	1001121920	2	Brazilian Spec - 460SJ		
	1001121809	2	Chinese Spec - 400S		
	1001121812	2	Chinese Spec - 460SJ		
	1001121802	2	CSA Spec - 400S		
	1001121803	2	CSA Spec - 460SJ		
	1001121807	2	Japanese Spec - 400S		
	1001121808	2	Japanese Spec - 460SJ		
	1001122200	2	Korean Spec - 400S		
	1001121918	2	Korean Spec - 460SJ		
	1001121804	2	Latin American Spec - 400S		
	1001121801	2	Latin American Spec - 460SJ		
		A/R		340kg/750lb Maximum Capacity Options:	
				S/N 0300096000 to S/N 0300142870:	
	1705070	2	Brazilian Spec - 400S		
	1705069	2	Chinese Spec - 400S		
	1705068	2	CSA Spec - 400S		
	1705065	2	Japanese Spec - 400S		
	1705066	2	Korean Spec - 400S		
	1705067	2	Latin American Spec - 400S		
				S/N 0300142870 to Present:	
	1001125329	2	Brazilian Spec - 400S		
	1001125328	2	Chinese Spec - 400S		
	1001125327	2	CSA Spec - 400S		
	1001125323	2	Japanese Spec - 400S		
1001125324	2	Korean Spec - 400S			
1001125325	2	Latin American Spec - 400S			
14		A/R	Decal - Capacity (Ground Control) Options:		
		A/R	230kg/500lb Maximum Capacity Options:		
			S/N 0300096000 to S/N 0300100315:		
	1704108	1	Brazilian Spec - 400S		
	1704112	1	Brazilian Spec - 460SJ		
	1704109	1	Chinese Spec - 400S		
	1704107	1	CSA Spec - 400S		
	1704112	1	CSA Spec - 460SJ		
	1704110	1	Japanese Spec - 400S		
	1704111	1	Korean Spec - 400S		
	1704106	1	Latin American Spec - 400S		
	1702688	1	Latin American Spec - 460SJ		

## SECTION 8 DECALS

**FIGURE 8-2. DECAL INSTALLATION (ANSI EXPORT SPECS) (CONTINUED)**

ITEM #	PART NUMBER	QTY.	DESCRIPTION	REV.
14 (cont'd)			S/N 0300100315 to S/N 0300142870:	
	1707131	1	Brazilian Spec - 400S	
	1707133	1	Brazilian Spec - 460SJ	
	1707045	1	Chinese Spec - 400S	
	1707046	1	CSA Spec - 400S	
	1707047	1	CSA Spec - 460SJ	
	1707053	1	Japanese Spec - 400S	
	1707043	1	Korean Spec - 400S	
	1707048	1	Latin American Spec - 400S	
	1707013	1	Latin American Spec - 460SJ	
		1	S/N 0300103508 to S/N 0300142870:	
	1707044	1	Chinese Spec - 460SJ	
	1707054	1	Japanese Spec - 460SJ	
	1707042	1	Korean Spec - 460SJ	
			S/N 0300142870 to Present:	
	1001125338	1	Brazilian Spec - 400S	
	1001121923	1	Brazilian Spec - 460SJ	
	1001121822	1	Chinese Spec - 400S	
	1001121825	1	Chinese Spec - 460SJ	
	1001121815	1	CSA Spec - 400S	
	1001121816	1	CSA Spec - 460SJ	
	1001121820	1	Japanese Spec - 400S	
	1001121821	1	Japanese Spec - 460SJ	
	1001122201	1	Korean Spec - 400S	
	1001121921	1	Korean Spec - 460SJ	
	1001121817	1	Latin American Spec - 400S	
	1001121814	1	Latin American Spec - 460SJ	
		1	340kg/750lb Maximum Capacity Options:	
			S/N 0300096000 to S/N 0300100315:	
	1705076		Brazilian Spec - 400S	
	1705075		Chinese Spec - 400S	
	1705074		CSA Spec - 400S	
	1705071		Japanese Spec - 400S	
	1705072		Korean Spec - 400S	
	1705073		Latin American Spec - 400S	
			S/N 0300100315 to S/N 0300142870:	
	1707130		Brazilian Spec - 400S	
	1707128		Chinese Spec - 400S	
	1707127		CSA Spec - 400S	
	1707125		Japanese Spec - 400S	
	1707126		Korean Spec - 400S	
	1707132		Latin American Spec - 400S	
			S/N 0300142870 to Present:	
	1001125337		Brazilian Spec - 400S	
	1001125336		Chinese Spec - 400S	
	1001125335		CSA Spec - 400S	
	1001125332		Japanese Spec - 400S	
	1001125333		Korean Spec - 400S	
	1001125334		Latin American Spec - 400S	

## SECTION 8 DECALS

**FIGURE 8-2. DECAL INSTALLATION (ANSI EXPORT SPECS) (CONTINUED)**

ITEM #	PART NUMBER	QTY.	DESCRIPTION	REV.
15	3251813	1	Decal - USA Options: Brazilian/CSA/Latin American Specs	
	Not Required	0	Chinese/Japanese/Korean Specs	
16	1701502	1	Decal - High Oil Level (S/N 0300096000 to S/N 0300128256)	
17	1701503	1	Decal - Low Oil Level (S/N 0300096000 to S/N 0300128256)	
18	1701504	2	Decal - Hydraulic Oil	
19		A/R	Decal - Inspection Options:	
	1704008	1	Brazilian Spec	
	Not Required	0	Chinese Spec	
	1704006	1	CSA Spec (S/N 0300096000 to S/N 0300151379)	
	Not Required	0	Japanese Spec	
	Not Required	0	Korean Spec	
	1704007	1	Latin American Spec (S/N 0300096000 to S/N 0300151379)	
20	See Note	1	Decal - Bar Code ( <b>Note: Not Available for Purchase</b> )	
21		A/R	Decal - Patent Options:	
	1700584	1	S/N 0300096000 to S/N 0300161240	
	Not Required	0	S/N 0300161240 to Present All Specs except CSA Specs	
	1001131269	1	S/N 0300161240 to Present CSA Spec (Dual Language - English/French)	
22	See Note	1	Nameplate - Serial Number ( <b>Note: Not Available for Purchase</b> )	
23	1701509	1	Decal - Manual	
24	1702300	A/R	Decal - Tie Down	
25	1701500	4	Decal - Lift	
26	1701529	4	Decal - Arrow	
27		A/R	Nameplate - 120V-60Hz Options:	
	3251243	1	Brazilian/CSA/Latin American Specs	
	Not Required	0	Chinese/Japanese/Korean Specs	
28	0860520	1	Box, Manual Storage	
29	1060279	1	Cable, Lanyard	
30	0641408	1	Bolt 1/4in-20NC x 1in	
31	4751400	6	Flatwasher 1/4in Regular	
32	3311405	1	Locknut 1/4in-20NC	
33	3820001	A/R	Rivet	
34		1	Decal - Footswitch Options:	
	1703985		Brazilian Spec	
	1703982		Chinese Spec	
	1703984		CSA Spec	
	1703980		Japanese Spec	
	1703981		Korean Spec	
	1703983		Latin American Spec	
35		A/R	Decal - Maximum Tire Load Options:	
		A/R	S/N 0300096000 to S/N 0300140365:	
	Not Required	0	Brazilian/Latin American Specs	
		4	Chinese/CSA/Japanese/Korean Spec Options:	
	1706126		400S with 230kg/500lb Capacity	
	1704829		400S with 340kg/750LB Capacity	
	1704828		460SJ	



## SECTION 8 DECALS

**FIGURE 8-2. DECAL INSTALLATION (ANSI EXPORT SPECS) (CONTINUED)**

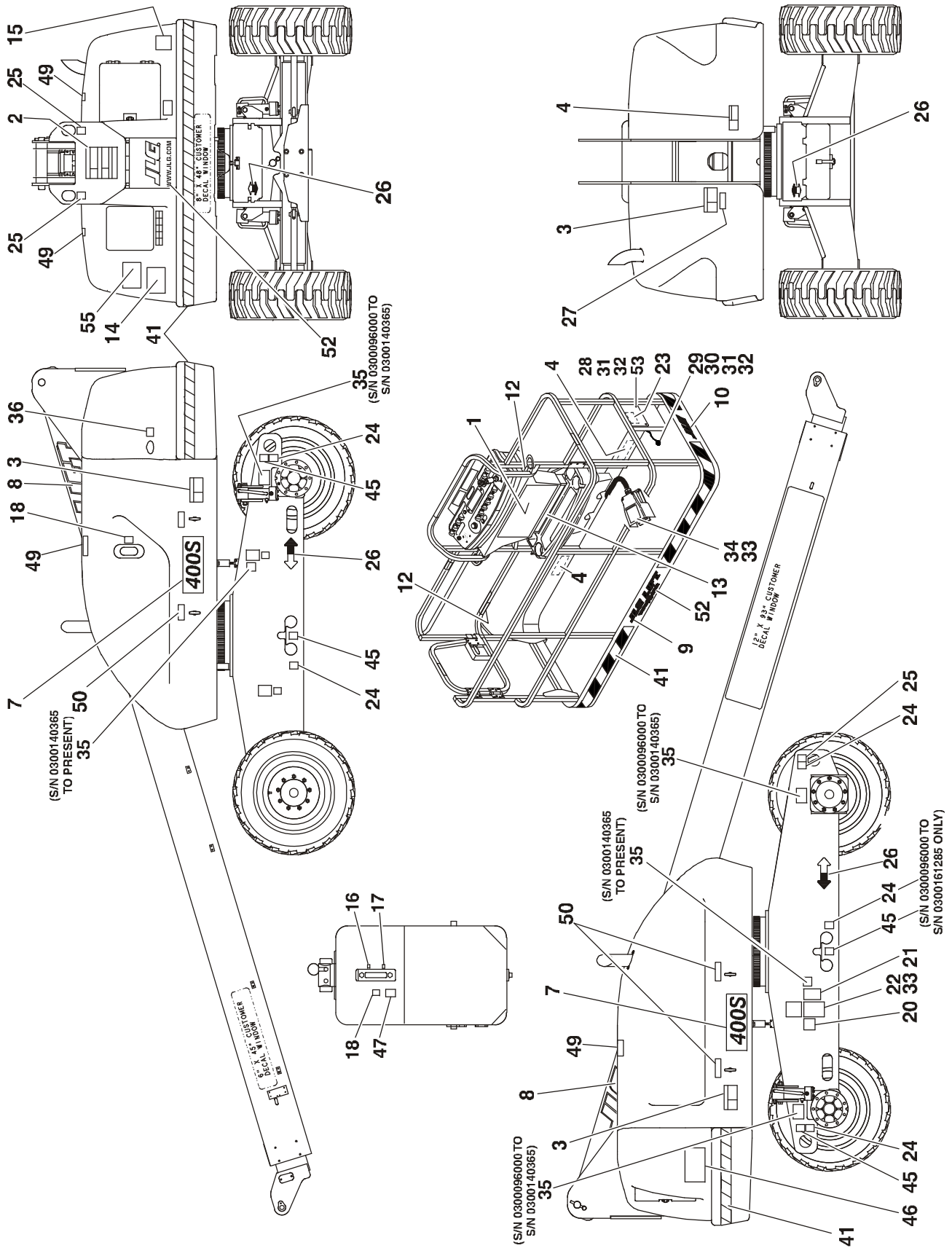
ITEM #	PART NUMBER	QTY.	DESCRIPTION	REV.	
35 (cont'd)	Not Required	A/R	S/N 0300140365 to Present:		
		0	Brazilian/Latin American Specs		
		2	Chinese/CSA/Japanese/Korean Spec Options:		
		1706126	400S with 230kg/500lb Capacity		
		1704829	400S with 340kg/750LB Capacity		
36	1704828		460SJ		
	1701542	1	Decal - Fuel		
	1701505		GM Engine Machines Caterpillar, Deutz & Perkins Engine Machines		
37	Not Required	A/R	Decal - LPG Gas		
		0	Non-Dual Fuel Machines		
38	1701543	1	Dual Fuel Machines		
	Not Required	A/R	Decal - LP Gas Liquid Withdrawal System		
		0	Non-Dual Fuel Machines		
		1700818	1	Dual Fuel Machines (English Language)	
		1704271	1	Dual Fuel Machines (CSA Spec)	
1702720		1	Dual Fuel Machines (Spanish Language)		
39	1001119661	1	Dual Fuel Machines (English/Latin American Language)		
	Not Required	A/R	Decal - CSA Options:		
		3252221	1	CSA Specs	
0		Brazilian/Chinese/Japanese/Korean/Latin American Specs			
40	1001108923	1	Decal - EPA/Carb Spec (Diesel Machines)		
41 to 44	Not Used				
45	1701499	A/R	Decal - No Lift		
46	Not Used	1	Decal - Lift Diagram Options:		
			S/N 0300096000 to S/N 0300161285 Options:		
		3252685	Brazilian Spec		
		3252684	Chinese Spec		
		3252683	CSA Spec		
		3252680	Japanese Spec		
		3252681	Korean Spec		
		3252682	Latin American Spec		
		1001145140	S/N 0300161285 to Present - All Specs		
		47	1704412	1	Decal - Hydraulic Oil Chart
48	Not Used				
49	1701691	4	Decal - No Step		
50	1704726	4	Decal - Lock Latch		
51	Not Used				
52	1704885	2	Decal - WWW.JLG.COM		
53	0641406	4	Bolt 1/4in-20NC x 3/4in		
54	Not Used	1	Decal - Drive/Steer Instruction Options (S/N 0300140365 to Present):		
		1705905	Brazilian Spec		
		1705430	Chinese Spec		
		1705429	CSA Spec		
		1705426	Japanese Spec		
		1705427	Korean Spec		
		1705910	Latin American Spec		

**FIGURE 8-2. DECAL INSTALLATION (ANSI EXPORT SPECS) (CONTINUED)**

ITEM #	PART NUMBER	QTY.	DESCRIPTION	REV.

# SECTION 8 DECALS

FIGURE 8-3. DECAL INSTALLATION (AUSTRALIAN & CE SPECS)



## SECTION 8 DECALS

**FIGURE 8-3. DECAL INSTALLATION (AUSTRALIAN & CE SPECS)**

ITEM #	PART NUMBER	QTY.	DESCRIPTION	REV.
		Ref.	<b>STANDARD DECAL INSTALLATIONS</b>	
	0270398	Ref.	<b>JLG Decals</b>	4
		Ref.	<b>CE Specs:</b>	
	0275066	Ref.	<b>400S with 230kg/500lb Capacity</b>	C
	0275068	Ref.	<b>400S with 340kg/750lbB Capacity</b>	C
	0275067	Ref.	<b>460SJ</b>	C
		Ref.	<b>Australian Specs:</b>	
	0275066	Ref.	<b>400S with 230kg/500lb Capacity (S/N 0300096000 to S/N 0300140365)</b>	C
	1001114404	Ref.	<b>400S with 230kg/500lb Capacity (S/N 0300140365 to Present)</b>	B
	0275068	Ref.	<b>400S with 340kg/750lbB Capacity (S/N 0300096000 to S/N 0300140365)</b>	C
	0275067	Ref.	<b>460SJ (S/N 0300096000 to S/N 0300140365)</b>	C
	1001114405	Ref.	<b>460SJ (S/N 0300140365 to Present)</b>	1
1	1705921	1	Decal - Tipping/Electrocution (Platform) Options:	
2	1705822	1	Decal - Electrocution/Safety Manual	
3	1705961	3	Decal - Electrocution	
4	1701518	3	Decal - Warning Crushing	
5 to 6	Not Used			
7		2	Decal - Model Designation Options:	
	1704472		Model 400S	
	1704473		Model 460SJ	
8	1702861	2	Decal - JLG Lift (8in)	
9	1702774	1	Decal - JLG Lift (3.5in)	
10	1702773	1	Decal - JLG (5in)	
11	Not Used			
12	1704277	3	Decal - Attach Lanyard Here	
13		1	Decal - Capacity Options:	
	1705978		400S with 230kg/500lb Capacity	
	1706382		400S with 340kg/750LB Capacity	
	1705978		460SJ	
14		1	Decal - Capacity Options:	
	1705978		400S with 230kg/500lb Capacity	
	1706382		400S with 340kg/750LB Capacity	
	1705978		460SJ	
15	1705084	1	Decal - Sound Power Level	
16	1701502	1	Decal - High Oil Level (S/N 0300096000 to S/N 0300128256)	
17	1701503	1	Decal - Low Oil Level (S/N 0300096000 to S/N 0300128256)	
18	1701504	2	Decal - Hydraulic Oil	
19	Not Used			
20	See Note	1	Decal - Bar Code ( <b>Note: Not Available for Purchase</b> )	
21		A/R	Decal - Patent Options:	
	1700584	1	S/N 0300096000 to S/N 0300161240	
	Not Required	0	S/N 0300161240 to Present	
22	See Note	1	Nameplate - Serial Number ( <b>Note: Not Available for Purchase</b> )	
23	1701509	1	Decal - Manual	
24	1702300	A/R	Decal - Tie Down	

## SECTION 8 DECALS

**FIGURE 8-3. DECAL INSTALLATION (AUSTRALIAN & CE SPECS) (CONTINUED)**

ITEM #	PART NUMBER	QTY.	DESCRIPTION	REV.
25	1701500	4	Decal - Lift	
26	1701529	4	Decal - Arrow	
27	3251242	1	Nameplate - 240V-50Hz	
28	0860520	1	Box, Manual Storage	
29	1060279	1	Cable, Lanyard	
30	0641408	1	Bolt 1/4in-20NC x 1in	
31	4751400	6	Flatwasher 1/4in Regular	
32	3311405	5	Locknut 1/4in-20NC	
33	3820001	4	Rivet	
34	1705828	1	Decal - Footswitch	
35		A/R	Decal - Maximum Tire Load Options:	
		4	S/N 0300096000 to S/N 0300140365:	
	1706126		400S with 230kg/500lb Capacity	
	1704829		400S with 340kg/750LB Capacity	
	1704828		460SJ	
		2	S/N 0300140365 to Present:	
	1706126		400S with 230kg/500lb Capacity	
	1704829		400S with 340kg/750LB Capacity	
	1704828		460SJ	
36	1701505	1	Decal - Fuel	
37 to 40	Not Used			
41	4420051	209in/5.3m	Decal - Warning Stripes	
42 to 44	Not Used			
45	1701499	A/R	Decal - No Lift	
46		1	Decal - Lift Diagram Options:	
	1705276	1	S/N 0300096000 to S/N 0300096582	
	1707031	1	S/N 0300096582 to S/N 0300161285	
	1001145140	1	S/N 0300161285 to Present	
47	1704412	1	Decal - Hydraulic Oil Chart	
48	Not Used			
49	1701691	4	Decal - No Step	
50	1704726	4	Decal - Lock Latch	
51	Not Used			
52	1704885	2	Decal - WWW.JLG.COM	
53	0641406	4	Bolt 1/4in-20NC x 3/4in	
54	Not Used			
55	1001112551	1	Decal - Emergency Controls (Australian Spec Only) (S/N 0300140365 to Present)	

## SECTION 9 RECOMMENDED SERVICE PARTS STOCK

### MODEL 400S/460SJ

The following list will service one machine (built to current production per date on the front cover) with emergency repair parts which can be installed in the field. Parts from the list should be replaced when inventory is depleted to keep service parts stock supplied. For further information, contact your JLG dealer or the JLG Industries Parts Department.

Part Number	Description	Qty./Machine
<b>STANDARD PARTS</b>		Ref.
2120210	Element, Filter (Figure 2-1)	4
7012944	Coil (Figures 2-1 & 2-2)	1
7012943	Coil (Figure 2-1)	1
See Note	Coil (Figure 2-2) <b>(Note: N/A at Time of Printing)</b>	1
7018991	Coil (Figure 2-2)	1
7012772	Coil (Figures 2-2 & 2-3)	1
7012664	Element, Air Cleaner (Figures 2-10, 2-12, 2-15 & 2-19)	4
3740067	Relay (Figures 2-10, 2-12, 2-15 & 2-19)	1
70001960	Filter (Figure 2-24)	4
7024444	Filler/Breather Cap (Figure 2-24)	1
3740049	Relay (Figures 2-28 & 7-7)	1
4360328	Switch, Toggle (Figures 2-28 & 4-4)	1
2860030	Key, Replacement (Figure 2-28)	1
4360475	Switch, Mushroom (Figures 2-28 & 4-4)	1
4360476	Contact, Switch Block (Figures 2-28 & 4-4)	1
4360387	Switch, Push Button (Figure 4-4)	1
4360517	Switch, Proximity (Figures 2-26 & 7-7)	1
2940074	Latch (Figure 4-1)	1
1001129555	Controller (Lift and Swing) (Figure 4-4)	1
1001118416	Controller (Drive and Steer) (Figure 4-4)	1
4360331	Switch, Toggle (Figure 4-4)	1
4360330	Switch, Toggle (Figure 4-4)	1
4360407	Controller, Speed (Figure 4-4)	1
3990010	Diode (Figure 7-7)	2
2400065	Fuse (Figure 7-7)	2
<b>VARIABLE PARTS</b>		Ref.
70001403	Filter, Oil (Caterpillar Engine Machines) (Figure 2-10)	1 Dozen
70003791	Filter, Fuel (Caterpillar Engine Machines) (Figure 2-10)	4
70002377	Filter, Fuel/Water Separator (Caterpillar Engine Machines) (Figure 2-10)	4
7016331	Filter, Oil (Deutz Engine Machines) (Figure 2-12)	1 Dozen
7020023	Filter, Fuel (Deutz Engine Machines) (Figure 2-12)	4
7027795	Module, Deutz EMR2 (Deutz Engine Machines) (Figure 2-12)	1
4360294	Breaker, Circuit (Deutz Engine Machines with Generator Option) (Figure 2-13)	1
7027965	Filter, Oil (GM Engine Machines) (Figure 2-15)	1 Dozen
7027972	Filter, Fuel (GM Engine Machines) (Figures 2-15)	4
4360336	Switch, Toggle (GM Machines) (Figures 2-15 & 4-4)	1
70002895	Module, GM Engine (GM Engine Machines) (Figure 2-15)	1
70001403	Filter, Oil (Perkins Engine) (Figure 2-19)	1 Dozen
70002450	Filter, Fuel (Perkins Engine Machines) (Figure 2-19)	4
70002377	Filter, Fuel/Water Separator (Perkins Engine Machines) (Figure 2-19)	4

## SECTION 9 RECOMMENDED SERVICE PARTS STOCK

### MODEL 400S/460SJ

The following list will service one machine (built to current production per date on the front cover) with emergency repair parts which can be installed in the field. Parts from the list should be replaced when inventory is depleted to keep service parts stock supplied. For further information, contact your JLG dealer or the JLG Industries Parts Department.

Part Number	Description	Qty./Machine
70002451	Module, Perkins Engine (Perkins Engine Machines) (Figure 2-19)	1
3740080	Relay (Machines with Generator Option) (Figures 2-11, 2-13, 2-16 & 2-20)	1
4360336	Switch, Toggle (Machines with Generator Option) (Figures 2-11, 2-13, 2-16, 2-20 & 4-4)	1
1001103667	Module, Controller (Ground Control) (Figure 2-28)	1
4360469	Switch, Key (ANSI, Australian & ANSI Export Specs) (Figure 2-28)	1
4360470	Switch, Key (CE Specs) (Figure 2-28)	1
4360522	Switch, Push Button (Headlights/Taillights Option) (Figures 2-29 & 4-4)	1
4360548	Switch, Limit (Figures 2-29 & 7-7)	1
4360578	Switch, Limit (CE Spec) (Figures 2-29 & 7-7)	1
4360057	Switch, Limit (Soft-Touch Option) (Figure 4-3)	1
1001106355	Module, Controller (Platform Control) (Figure 4-3)	1
4360232	Breaker, Circuit (Platform Worklights Options) (Figure 4-4)	1
4360549	Switch, Limit (All Specs Except CE Specs) (Figure 7-7)	1
4360232	Breaker, Circuit (Platform Floodlights Options) (Figure 7-7)	1
2400070	Fuse (Platform Worklights Options) (Figure 7-7)	2

# **SECTION 10 SPECIAL OPTIONS**



# SECTION 10 SPECIAL OPTIONS

**FIGURE 10-1. SPECIAL OPTIONS LIST**

ITEM #	PART NUMBER	QTY.	DESCRIPTION	REV.
		Ref.	<b>Note: This list is to accommodate machines ordered with special equipment. Options may not be applicable to all models. For more specific parts information contact JLG Parts Department.</b>	
		Ref.	<b>MISCELLANEOUS SPECIAL OPTIONS</b>	
	1340061	Ref.	<b>Air Cleaner with Dust Evacuator Valve</b>	
	0271239	Ref.	<b>Air Line at Platform Installations</b>	
	1001093936	Ref.	<b>400S without Arctic Package</b>	
	0271445	Ref.	<b>400S with Arctic Package</b>	
	1001093938	Ref.	<b>460SJ without Arctic Package</b>	
		Ref.	<b>460SJ with Arctic Package</b>	
		Ref.	<b>Bellows Installations</b>	
	0259194	Ref.	<b>400S with Oscillating Axle</b>	
	1001094001	Ref.	<b>S/N 0300096000 to S/N 0300115396</b>	
	1001147513	Ref.	<b>S/N 0300115396 to S/N 0300161285</b>	
		Ref.	<b>S/N 0300161285 to Present</b>	
	0259193	Ref.	<b>400S with Fixed Axle</b>	
	1001147513	Ref.	<b>S/N 0300096000 to S/N 0300161285</b>	
		Ref.	<b>S/N 0300161285 to Present</b>	
	0259196	Ref.	<b>460SJ with Oscillating Axle</b>	
	1001093897	Ref.	<b>S/N 0300096000 to S/N 0300115396</b>	
	1001147514	Ref.	<b>S/N 0300115396 to S/N 0300161285</b>	
		Ref.	<b>S/N 0300161285 to Present</b>	
	0259195	Ref.	<b>460SJ with Fixed Axle</b>	
	1001147514	Ref.	<b>S/N 0300096000 to S/N 0300161285</b>	
		Ref.	<b>S/N 0300161285 to Present</b>	
	0259197	Ref.	<b>Boom Wiper Installation</b>	
	0256789	Ref.	<b>Camera Mount Assembly</b>	
		Ref.	<b>ClearSky (Telematics) Installations</b>	
		Ref.	<b>Without UGM</b>	
	1001106616	Ref.	<b>ANSI Spec</b>	
	1001106617	Ref.	<b>ANSI Export/CE/Japanese Specs</b>	
	1001139128	Ref.	<b>Australian Spec</b>	
	1001106618	Ref.	<b>CSA Spec</b>	
		Ref.	<b>With UGM</b>	
	1001112975	Ref.	<b>ANSI Spec</b>	
	1001132726	Ref.	<b>Australian Specs</b>	
	1001127088	Ref.	<b>ANSI Export, Brazil &amp; New Zealand Specs</b>	
	1001112977	Ref.	<b>CSA Spec</b>	

## SECTION 10 SPECIAL OPTIONS

**FIGURE 10-1. SPECIAL OPTIONS LIST (CONTINUED)**

ITEM #	PART NUMBER	QTY.	DESCRIPTION	REV.
		Ref.	<b>ClearSky (Telematics) Kits</b>	
		Ref.	<b>Without UGM</b>	
	1001117253	1	ANSI Spec	
	1001121609	1	ANSI Export/CE/Japanese Specs	
	1001139128	1	Australian Spec	
	1001117260	1	CSA Spec	
		Ref.	<b>With UGM</b>	
	1001119943	1	ANSI Spec	
	See Note	1	ANSI Export/CE/Japanese Specs ( <b>Note: Not Available for Purchase</b> )	
	1001139147	1	Australian Spec	
	1001119949	1	CSA Spec	
		Ref.	<b>Note: For Breakdown of Kits Refer to ClearSky Telematics Manual p/n 3128499.</b>	
		Ref.	<b>Cold Weather Start Kits</b>	
	0273064	Ref.	<b>Caterpillar/Perkins Engine Machines</b>	
	0271912	Ref.	<b>Deutz Engine Machines</b>	
	0275056	Ref.	<b>GM Engine Machines</b>	
		Ref.	<b>Container Shipment Preparation Instructions</b>	
	0272031	Ref.	<b>2WD</b>	
	1001148145	Ref.	<b>4WD with 12 x 16.5 Tires &amp; Wheels</b>	
	1001148146	Ref.	<b>4WD with 14 x 17.5 Tires &amp; Wheels</b>	
	0272031	Ref.	<b>4WD with 33/16LI x 16.1 Foam Filled Sand Tires</b>	
		Ref.	<b>Decal Installations</b>	
	1702788	1	Decal - Biodegradable Hydraulic Fluid (All except German Spec)	
	1704174	1	Decal - Biodegradable Synthetic Hydraulic Fluid (All except German Spec)	
	1703479	1	Decal - Biodegradable Hydraulic Fluid (German Spec Only)	
	1704175	1	Decal - Biodegradable Synthetic Hydraulic Fluid (German Spec Only)	
		1	Decal - Clear Sky Options:	
	1001116245		ANSI Spec Only (S/N 0300069000 to S/N 0300144690)	
	1001116246		CSA Spec Only (S/N 0300069000 to S/N 0300144690)	
	1001127093		ANSI Spec, ANSI Export Spec & CSA Spec Only (S/N 0300144690 to Present)	
	0274529	Ref.	Decals - Head & Engquist Equipment L.L.C (H&E)	
	0273250	Ref.	Decals - Hertz (S/N 0300096000 to S/N 0300147214)	
	1001128940	Ref.	Decals - Hertz (S/N 0300147214 to Present)	
	1001143073	Ref.	Decals - Hewitt the Rental Store (English)	
	1001143508	Ref.	Decals - Hewitt the Rental Store (French)	
	1703175	1	Decal - Lanyard Attach (GM K-1 Spec)	
	1001140622	Ref.	Decals - Leavitt	
	0273370	Ref.	Decals - Nations Rent	
	0274247	Ref.	Decals - National Equipment Services (NES)	

## SECTION 10 SPECIAL OPTIONS

**FIGURE 10-1. SPECIAL OPTIONS LIST (CONTINUED)**

ITEM #	PART NUMBER	QTY.	DESCRIPTION	REV.
	Continued	Ref.	<b>Decal Installations</b>	
	1702868	2	Decal - No Hands (English Language) (Used with Mesh to Top Rail Platform)	
	1704000	2	Decal - No Hands (English & French Dual Language) (Used with Mesh to Top Rail Platform)	
	1702962	1	Decal - Prop 65 Warning (Diesel Machines) (California Spec)	
	1702961	1	Decal - Prop 65 Warning (Gasoline Machines) (California Spec)	
	1001095409	Ref.	Decals - RSC	
	0273710	Ref.	Decal - SkyAir	
		Ref.	Decal - SkyCutter Options:	
	0272599	Ref.	ANSI, ANSI Export & CSA Specs	
	0272607	Ref.	Japanese Specs (S/N 0300119201 to Present)	
	See Note	Ref.	Australian, CE & Japanese Specs (was p/n 0272607) (Note: No Longer Available)	
	0272418	Ref.	Decal - SkyGlazier	
		Ref.	Decal - SkyPower Options:	
	0272435	Ref.	ANSI, ANSI Export & CSA Specs	
	0272589	Ref.	ANSI Export, Australian, CE & Japanese Specs	
		Ref.	Decal - SkyWelder Options:	
	0272448	Ref.	ANSI, ANSI Export & CSA Specs	
	0272588	Ref.	ANSI Export, Australian, CE & Japanese Specs	
	0270575	Ref.	Decals - Sunbelt	
	1001151096	Ref.	Decals - Titan Rentals	
	0271892	Ref.	Decals - United Rentals	
	1001141473	Ref.	Decals - Volvo Rents	
	0257733	Ref.	Decals - Warning Stripes	
	1001130749	Ref.	<b>Electric to Mechanical Fan Kit (Perkins Engines)</b>	
		Ref.	<b>Electrical Connector Kits</b>	
	1001148902	Ref.	Amp/Tyco Electrical Connector Kit	
	1001148903	Ref.	Deutsch DT Electrical Connector Kit	
	1001148904	Ref.	Deutsch HD Electrical Connector Kit	
	1001148905	Ref.	Packard Electrical Connector Kit	
	1001148906	Ref.	Various Electrical Connectors Kit	
		Ref.	<b>Engine Block Heater Installation</b>	
	0275055	Ref.	<b>GM Engines</b>	
		Ref.	<b>Engine Replacement Kits</b>	
	1001145837	Ref.	Engine Kit - Replace Perkins Tier II with Deutz D2011L03 Tier II	
	1001139890	Ref.	Engine Kit - Replace Perkins Tier II with Perkins Tier IVi	

## SECTION 10 SPECIAL OPTIONS

**FIGURE 10-1. SPECIAL OPTIONS LIST (CONTINUED)**

ITEM #	PART NUMBER	QTY.	DESCRIPTION	REV.
		Ref.	<b>Filter Kits:</b>	
		1	Combined Filter Kit (Hydraulic/Air & Fuel/Engine Oil)	
	1001110999		Caterpillar Engine	
	1001111000		Deutz Engine	
	1001111001		Perkins Engine	
	1001109698	1	Hydraulic/Air Filter	
		1	Engine - Fuel/Engine Oil Filter	
	1001110139		Caterpillar Engine	
	1001110138		Deutz Engine	
	1001110143		Perkins Engine	
		Ref.	<b>Fluids:</b>	
	2300004	Ref.	Antifreeze, Standard	
	2300041	Ref.	Antifreeze, Arctic	
	3020040	Ref.	Conditioner, Diesel Fuel	
	3020016	Ref.	Engine Oil	
	3020044	Ref.	Engine Oil, Arctic (0W-40)	
	1001115930	Ref.	Engine Oil, (10W-30)	
		Ref.	Hydraulic Fluids Options:	
	2300039	Ref.	Exxon Univis HVI 26 (Use with Arctic Package)	
	2300014	Ref.	Mobil 424	
	2300027	Ref.	Mobil EAL 224H Bio	
	2300029	Ref.	Mobil EAL EnviroSyn H46 Bio	
	2300016	Ref.	Mobil DTE 10 EXCEL 32	
	2300021	Ref.	Union Carbide Ucon Hydrolube HP-5046D (Fire Resistant)	
	3380652	Ref.	<b>Footswitch Shield Installation</b>	
	1001094475	Ref.	<b>Hourmeter, Generator</b>	
		Ref.	<b>Hydraulic Oil Cooler Installations</b>	
	1001109766	Ref.	<b>Caterpillar/Perkins Engines</b>	
	0271607	Ref.	<b>Deutz/GM Engines</b>	
	1001148971	Ref.	<b>Lanyard (Bolt-On) Kit Installation</b>	
			<b>Platform Cover Installations</b>	
	0258703	Ref.	<b>Clear Plastic Construction</b>	
	1670870	1	Cover	
	0271675	Ref.	<b>Steel Construction</b>	
	4846506	1	Cover Weldment	
	1670894	1	Cover, Rubber	
		Ref.	<b>Platform Entry Kit</b>	
	1001142504	Ref.	<b>Kit, Replace Swing Gate with Drop Bar</b>	
	1001142505	Ref.	<b>Kit, Replace Drop Bar with Swing Gate</b>	

## SECTION 10 SPECIAL OPTIONS

FIGURE 10-1. SPECIAL OPTIONS LIST (CONTINUED)

ITEM #	PART NUMBER	QTY.	DESCRIPTION	REV.
		Ref.	<b>Platform Mesh Installations</b>	
	0273145	Ref.	<b>36in X 8ft (91.5cm x 2.44m)</b>	
	0273148	Ref.	<b>30in X 6ft (76cm x 1.83m)</b>	
	0273149	Ref.	<b>36in X 6ft (91.5cm x 1.83m)</b>	
	0273146	Ref.	<b>30in X 5ft (76cm x 1.52m)</b>	
	0273147	Ref.	<b>30in X 4ft (76cm x 1.22m)</b>	
		Ref.		
	1001149730	Ref.	<b>Platform Mid Rail Repair Kit</b>	
		Ref.		
		Ref.	<b>Platform Rail Extension Installations</b>	
	0272733	Ref.	<b>36in x 6ft Platforms</b>	
	0272725	Ref.	<b>36in x 8ft Platforms</b>	
		Ref.		
	0257728	Ref.	<b>Platform Tubing Rack Installations</b>	
		Ref.		
	0258918	Ref.	<b>Platform Utility Rack Assembly (Michigan OSHA Spec)</b>	
		Ref.		
		Ref.	<b>Sky Accessory:</b>	
		Ref.	<b>Note: For Breakdown of Sky Accessories Refer to Accessory Manual p/n 3124242</b>	
	0273512	Ref.	<b>SkyAir Compressor</b>	
		Ref.		
		Ref.	<b>SkyCutter Plasma Cutter Options:</b>	
	0272590	Ref.	ANSI, ANSI Export & CSA Specs (S/N 0300096000 to S/N 0300119201)	
	1001098149	Ref.	ANSI, ANSI Export, CSA & Japanese Specs (S/N 0300119201 to Present)	
	See Note	Ref.	Australian, CE & Japanese Specs (was p/n 0272606) ( <b>Note: No Longer Available</b> )	
	0273353	Ref.	<b>SkyCutter/SkyWelder Combination (ANSI, ANSI Export &amp; CSA Specs Only)</b>	
		Ref.		
		Ref.	<b>SkyGlazier Options:</b>	
	1001101422	Ref.	ANSI & CSA Specs (was p/n 0272954 & 1001099376) (Available on 400S & 460SJ)	
	1001099421	Ref.	ANSI Export Specs (Spanish Language Decals) (was p/n 0272387) (Available on 400S Only)	
	1001099422	Ref.	ANSI Export Specs (Portuguese Language Decals) (was p/n 0272955) (Available on 400S Only)	
	1001101422	Ref.	Australian Spec without Load Sensing (Available on 400S & 460SJ)	
	1001102647	Ref.	Australian Spec with Load Sensing (Available on 400S Only)	
	0272395	Ref.	CE Spec (English Decals) (Available on 400S Only)	
	0272393	Ref.	CE Spec (French Decals) (Available on 400S Only)	
	0272394	Ref.	CE Spec (German Decals) (Available on 400S Only)	
	0272956	Ref.	CE Spec (Italian Decals) (Available on 400S Only)	
	0272955	Ref.	CE Spec (Portuguese Decals) (Available on 400S Only)	
	0272387	Ref.	CE Spec (Spanish Decals) (Available on 400S Only)	
		Ref.		
		Ref.	<b>SkyGuard Component Options:</b>	
	1001149560	Ref.	SkyGuard Complete Add-On Kit (Non - UGM Machines)	
	1001143669	Ref.	SkyGuard Complete Add-On Kit (UGM Machines)	
	1001137672	Ref.	SkyGuard Platform Sensor Kit	
	1001143256	Ref.	SkyGuard Blue Beacon Kit	

## SECTION 10 SPECIAL OPTIONS

**FIGURE 10-1. SPECIAL OPTIONS LIST (CONTINUED)**

ITEM #	PART NUMBER	QTY.	DESCRIPTION	REV.
		Ref.	<b>SkyPower Add-On Kit - 7500W Generator Options:</b>	
	See Note	Ref.	Sky Power Add-on Kit (Caterpillar & Perkins) <b>(Note: Not Available for Purchase)</b>	
	1001116162	Ref.	Sky Power Add-on Kit (Deutz) (60Hz)	
	See Note	Ref.	Sky Power Add-on Kit (Deutz) (50Hz) <b>(Note: Not Available for Purchase)</b>	
	1001118105	Ref.	Sky Power Add-on Kit (GM)	
		Ref.	<b>SkyPower Factory Installed - 7500W Generator Options:</b>	
	0273003	Ref.	60Hz (Caterpillar Engines) (ANSI & ANSI Export Specs) (Without UGM)	
	1001112101	Ref.	60Hz (Caterpillar Engines) (ANSI & ANSI Export Specs) (With UGM)	
	0273004	Ref.	50Hz (Caterpillar Engine) (ANSI Export, Australian & CE Specs) (Without UGM)	
	1001112408	Ref.	50Hz (Caterpillar Engine) (ANSI Export, Australian & CE Specs) (With UGM)	
	0272597	Ref.	60Hz (Deutz Engines) (ANSI & ANSI Export Specs) (Without UGM)	
	1001115390	Ref.	60Hz (Deutz Engines) (ANSI & ANSI Export Specs) (With UGM)	
	0272596	Ref.	50Hz (Deutz Engines) (ANSI Export, Australian & CE Specs) (Without UGM)	
	1001115721	Ref.	50Hz (Deutz Engines) (ANSI Export, Australian & CE Specs) (With UGM)	
	0275057	Ref.	60Hz (GM Engines) (ANSI & ANSI Export Specs)	
	1001097331	Ref.	60Hz (Perkins Engines) (ANSI & ANSI Export Specs) (Without UGM)	
	1001112101	Ref.	60Hz (Perkins Engines) (ANSI & ANSI Export Specs) (With UGM)	
	1001097332	Ref.	50Hz (Perkins Engine) (ANSI Export, Australian & CE Specs) (Without UGM)	
	1001112408	Ref.	50Hz (Perkins Engine) (ANSI Export, Australian & CE Specs) (With UGM)	
		Ref.	<b>SkyWelder 250A Options:</b>	
	0272254	Ref.	ANSI, ANSI Export & CSA Specs	
	0272521	Ref.	Australian, CE & Japanese Specs	
		Ref.	<b>Strobe Light Installations (Amber)</b>	
	1001152965	Ref.	<b>Platform Mounted</b>	
	1001154231	Ref.	<b>Platform/Ground Mounted</b>	
		Ref.	<b>Tire Sealant Installations (ANSI Spec Only)</b>	
	0272307	Ref.	12 x 16.5	
	0272301	Ref.	14 x 17.5	

# SECTION 10 SPECIAL OPTIONS

**FIGURE 10-1. SPECIAL OPTIONS LIST (CONTINUED)**

ITEM #	PART NUMBER	QTY.	DESCRIPTION	REV.
		Ref.	<b>Tools for Service</b>	
	2901443	1	Analyzer Kit	
	8896941	1	Wire Stripper	
	7002821	1	Wire Crimper (To install wire ends to wires)	
	7002823	1	Pin/Socket Extractor - Universal (To Remove Pins/ Sockets from Connectors)	
	4460467	1	Extractor - 16-18 Gauge (For Removal of Pin/Sockets from Deutsch Connectors)	
	4460510	1	Extractor - 12-14 Gauge (For Removal of Pin/Sockets from Deutsch Connectors)	
	7002822	1	Screwdriver, Potentiometer (To Adjust Drive Controllers)	
	7016654	1	Screwdriver, Magnetic	
	7004275	1	Seal Installation Tool - 1"	
	7004276	1	Seal Installation Tool - 1 1/2"	
	7002826	1	Seal Installation Tool - 2"	
	7016655	1	Wire Rope Sheave Gauge	
	4922012	1	Horsepower Card Service Harness	
	1001137005	1	Software Cable Kit	
		Ref.	<b>Tube Rack Installation</b>	
	0257728	Ref.	All Specs except Australian Spec	
	0274661	Ref.	Australian Specs Only	
		Ref.	<b>Weld Leads at Platform Installations</b>	
	0271240	Ref.	<b>400S</b>	
	0271446	Ref.	<b>460SJ</b>	

# SECTION 11 PARTS NUMBER INDEX

Part Number	Page	Part Number	Page	Part Number	Page	Part Number	Page
0020006	1-49	0181949	2-121	0270075	1-26	0271996	1-26
0060048	3-12, 3-15	0200048	4-9	0270076	1-26	0271997	1-26
0060059	3-7, 3-15	0200742	2-47, 2-61, 2-109	0270077	1-26	0271998	1-26
0080163	2-57	0240047	1-50	0270078	1-26	0272018	2-141, 4-14
0080181	2-24, 2-32, 2-40, 2-82, 2-92, 2-102	0240049	1-50	0270079	1-26	0272031	10-3
0080201	2-24, 2-32, 2-40, 2-67, 2-73, 2-82, 2-92, 2-102	0240050	1-50	0270091	1-26	0272070	3-8, 3-13
0080231	2-54	0240152	1-50	0270092	1-26	0272254	10-7
0080241	2-141	0255917	2-141, 7-46, 7-63	0270093	1-26	0272301	10-7
0100009	4-11	0256789	10-2	0270094	1-26	0272307	10-7
0100011	1-3, 1-4, 1-5, 1-9, 1-10, 1-11, 1-15, 1-17, 1-21, 1-25, 1-41, 1-42, 1-45, 1-50, 1-53, 2-3, 2-11, 2-24, 2-27, 2-32, 2-34, 2-40, 2-42, 2-43, 2-47, 2-52, 2-53, 2-54, 2-61, 2-66, 2-67, 2-72, 2-73, 2-77, 2-82, 2-85, 2-86, 2-92, 2-95, 2-96, 2-102, 2-104, 2-105, 2-109, 2-121, 2-125, 2-129, 2-131, 2-135, 2-137, 2-142, 2-145, 2-149, 3-3, 3-4, 3-7, 3-8, 3-11, 3-12, 3-13, 4-3, 4-9, 5-3, 5-7, 5-11, 5-13, 5-15, 5-23	0256847	2-57	0270180	1-50	0272310	1-26
		0257728	10-6, 10-8	0270186	1-50	0272311	1-26
		0257733	10-4	0270187	1-50	0272336	1-26
		0257887	2-142, 7-39, 7-56	0270192	1-49	0272337	1-26
		0258308	2-142	0270193	1-49, 1-50	0272352	1-26
		0258703	10-5	0270213	3-3	0272353	1-26
		0258918	10-6	0270326	2-11	0272387	10-6
		0259141	2-145, 2-149	0270354	2-146, 2-151	0272393	10-6
		0259144	2-121	0270398	8-3, 8-7, 8-15	0272394	10-6
		0259147	2-12	0270575	10-4	0272395	10-6
		0259148	1-5	0270649	7-2	0272418	10-4
		0259155	2-129	0270650	1-26	0272427	4-9
		0259156	2-11	0270651	1-26	0272435	10-4
		0259158	2-12	0270652	1-26	0272444	4-9
		0259159	8-3	0270653	1-26	0272448	10-4
		0259160	8-3	0270654	1-26	0272521	10-7
		0259175	8-7	0270655	1-26	0272588	10-4
		0259176	8-7	0270659	2-121	0272589	10-4
		0259177	8-7	0270814	4-14, 7-2	0272590	10-6
		0259178	8-7	0271159	3-4, 3-12, 7-33, 7-51	0272593	3-11, 3-12
		0259179	8-7	0271160	3-4, 7-33, 7-51	0272596	7-45, 10-7
		0259180	8-7	0271161	3-4, 3-12, 7-33, 7-51	0272597	7-45, 10-7
		0259181	8-7	0271162	3-4, 7-33, 7-51	0272599	10-4
		0259182	8-7	0271163	2-142	0272606	10-6
		0259183	8-7	0271164	2-142	0272607	10-4
		0259184	8-7	0271165	2-142	0272609	4-4
		0259185	8-7	0271166	2-142	0272612	3-4, 7-33, 7-51
		0259186	8-7	0271211	1-49	0272613	3-4, 3-12, 7-33, 7-51
		0259193	10-2	0271212	1-49	0272725	10-6
		0259194	10-2	0271213	1-49	0272731	2-125
		0259195	10-2	0271215	1-49	0272733	10-6
		0259196	10-2	0271218	1-49	0272804	1-11
		0259197	10-2	0271239	10-2	0272805	1-53
		0259962	4-13	0271240	10-8	0272828	1-53
		0259963	4-13	0271246	4-13	0272897	3-3
		0259964	4-13	0271340	4-14	0272900	1-4, 1-42
		0259965	4-13	0271342	2-141	0272901	1-15, 1-42
		0259968	4-13	0271445	10-2	0272902	1-3, 1-42
		0259981	8-3	0271446	10-8	0272903	1-15, 1-42
		0259989	8-7	0271607	10-5	0272904	1-4, 1-42
		0259990	8-7	0271657	2-135	0272905	1-15, 1-42
		0259991	8-7	0271658	2-135	0272906	1-10, 1-42
		0259992	8-7	0271660	2-135	0272923	1-26
		0259993	8-7	0271661	2-135	0272924	1-26
		0259994	8-7	0271675	10-5	0272925	1-25, 1-41
		0270022	7-40, 7-57	0271892	10-4	0272926	1-25, 1-41
		0270024	7-40, 7-57	0271912	10-3	0272927	1-17
		0270029	1-49, 1-50	0271993	1-26	0272954	10-6
		0270030	1-49, 1-50	0271994	1-26	0272955	10-6
		0270074	1-26	0271995	1-26	0272956	10-6



# SECTION 11 PARTS NUMBER INDEX

Part Number	Page	Part Number	Page	Part Number	Page	Part Number	Page
0272970	..... 4-4, 7-32, 7-50		54, 2-67, 2-73,	0641406	2-24, 2-32, 2-40, 2-	0641609	2-26, 2-34, 2-40, 2-
0272999	..... 3-3		2-82, 2-92, 2-		54, 2-67, 2-73,		54, 2-67, 2-73,
0273003	..... 7-45, 10-7		102		2-82, 2-92, 2-		2-82, 2-92, 2-
0273004	..... 7-45, 10-7	0340046	2-24, 2-32, 2-40, 2-		102, 2-135, 2-		102, 3-4
0273051	..... 2-47		82, 2-92, 2-102		139, 2-142, 3-7,	0641610	..2-3, 2-24, 2-26, 2-
0273064	..... 10-3	0360406	..... 1-53		3-11, 4-4, 8-5, 8-		32, 2-40, 2-43,
0273065	..... 3-3	0361810	2-27, 2-34, 2-42, 2-		12, 8-16		2-47, 2-54, 2-61,
0273145	..... 10-6		52, 2-66, 2-72,	0641407	..... 2-138		2-67, 2-73, 2-82,
0273146	..... 10-6		2-85, 2-95, 2-	0641408	1-49, 2-24, 2-32, 2-		2-84, 2-92, 2-
0273147	..... 10-6		104		40, 2-82, 2-86,		102, 2-105, 2-
0273148	..... 10-6	0362519	..... 2-121		2-92, 2-95, 2-		121, 2-143, 2-
0273149	..... 10-6	0362528	..... 2-142		102, 4-4, 8-4, 8-		145, 2-149, 3-3,
0273250	..... 10-3	0362610	..... 2-142		11, 8-16		3-7, 3-11, 3-12,
0273353	..... 10-6	0362909	..... 2-142	0641409	..... 2-54		4-4
0273370	..... 10-3	0362932	..... 1-3, 1-10	0641410	2-24, 2-27, 2-32, 2-	0641611	2-40, 2-54, 2-68, 2-
0273473	..... 1-9, 1-42	0362936	..... 1-41		35, 2-42, 2-52,		73, 2-82, 2-92,
0273493	..... 4-5	0362954	..... 1-3, 1-10, 1-15		2-66, 2-72, 2-82,		2-102
0273494	..... 4-5	0362965	..... 1-15		2-85, 2-92, 2-95,	0641612	1-21, 2-26, 2-34, 2-
0273512	..... 10-6	0363012	..... 1-45		2-104		68, 2-73, 2-84,
0273710	..... 10-4	0363019	..... 1-53	0641412	..... 2-66, 2-72		2-94, 2-145, 2-
0274016	..... 2-145, 2-149	0370024	..... 5-19	0641414	1-4, 1-15, 4-5, 4-9,		149
0274079	..... 2-61, 2-63	0370026	..... 5-5		4-11	0641614	..... 2-40, 2-102
0274084	..... 2-47	0400075	2-27, 2-34, 2-42, 2-	0641416	..2-145, 2-149, 3-12	0641615	..... 2-121
0274085	..... 2-61, 2-63		52, 2-66, 2-72,	0641418	2-35, 2-42, 2-104, 4-	0641616	..1-3, 1-10, 2-27, 2-
0274089	..... 2-61, 2-63		2-85, 2-95, 2-		3		34, 2-42, 2-52,
0274247	..... 10-3		104	0641420	..... 2-3, 2-86, 2-96		2-66, 2-72, 2-85,
0274334	..... 2-52	0440162	..... 1-5, 1-11	0641422	..... 2-66, 2-72		2-95, 2-104, 3-7,
0274415	..... 2-135	0440240	..... 2-11	0641424	..... 1-4, 1-9, 1-15		3-11
0274416	..... 2-135	0440271	..... 1-17, 1-21	0641504	..... 1-53	0641618	..... 1-41, 1-45, 3-12
0274417	..... 2-135	0440274	..... 1-17	0641506	2-24, 2-32, 2-40, 2-	0641620	..... 1-15
0274418	..... 2-135	0440291	..... 1-17, 1-21		82, 2-92, 2-102	0641626	..... 1-3, 1-10
0274529	..... 10-3	0480120	... 2-47, 2-61, 2-109	0641507	2-24, 2-32, 2-40, 2-	0641710	..... 2-77
0274570	..... 4-5	0480121	..... 2-47, 2-109		54, 2-67, 2-73,	0641772	... 2-47, 2-61, 2-109
0274574	..... 2-141, 4-14	0480122	... 2-47, 2-61, 2-109		2-82, 2-92, 2-	0641808	..... 1-49
0274584	..... 4-5	0480142	..... 2-77		102	0641810	..... 2-129
0274600	..... 2-3	0561185	..... 3-7, 3-11	0641508	1-11, 1-41, 2-47, 2-	0641812	2-24, 2-32, 2-43, 2-
0274601	..... 2-3	0561237	..... 3-12		61, 2-109		53, 2-67, 2-73,
0274605	..... 2-27	0561300	1-3, 1-5, 1-10, 1-15,	0641510	2-3, 2-54, 2-56, 2-77		2-86, 2-96, 2-
0274661	..... 10-8		1-16	0641511	..... 2-54, 2-66, 2-72		105, 2-131, 3-8,
0275032	..... 2-66	0630462	..... 4-9	0641512	..... 2-54		3-13
0275039	..... 2-77	0630464	..... 4-11	0641516	..... 3-5	0641814	..1-5, 1-10, 1-16, 1-
0275055	..... 10-4	0630491	..... 2-141	0641518	..... 4-5		21, 2-121
0275056	..... 10-3	0630518	..... 2-133, 2-137	0641530	..... 1-41	0641820	2-24, 2-32, 2-40, 2-
0275057	..... 7-45, 7-62, 10-7	0630534	..... 5-11	0641538	..... 1-41		54, 2-68, 2-73,
0275059	..... 2-135	0630535	5-7, 5-13, 5-15, 5-23	0641542	..... 1-45		2-82, 2-92, 2-
0275060	..... 2-135	0630541	2-27, 2-34, 2-42, 2-	0641560	..... 1-45		102
0275066	..... 8-15		52, 2-66, 2-72,	0641604	..... 3-4, 5-23	0641826	..... 2-129, 2-131
0275067	..... 8-15		2-85, 2-95, 2-	0641605	..... 3-3, 3-5, 3-7	0641828	..... 2-131
0275068	..... 8-15		104	0641606	..1-5, 1-11, 1-17, 1-	0642010	1-4, 1-9, 1-15, 2-27,
0275112	..... 1-15	0630548	..... 2-133, 2-137		21, 1-45, 2-121,		2-34, 2-42, 2-52,
0275113	..... 1-15	0630566	..... 3-4		3-3, 3-7, 3-11		2-66, 2-72, 2-85,
0275216	..... 7-43, 7-60	0630568	..... 4-13	0641607	1-4, 1-9, 1-15, 1-41,		2-95, 2-104
0275217	..... 7-43, 7-60	0630569	2-24, 2-32, 2-40, 2-		1-42	0642012	..1-3, 1-4, 1-9, 1-10,
0275218	..... 7-43, 7-60		43, 2-82, 2-92,	0641608	2-24, 2-32, 2-43, 2-		1-15, 1-16, 1-21,
0275219	..... 7-44, 7-61		2-102, 2-105		56, 2-67, 2-73,		3-3
0275452	..... 7-44, 7-61	0641404	1-29, 2-61, 2-109, 2-		2-86, 2-96, 2-	0642684	..... 3-8, 3-13
0275453	..... 7-44, 7-61		142, 4-11		105, 2-125, 2-	0651406	..... 2-3
0275454	..... 7-44, 7-61	0641405	2-35, 2-41, 2-42, 2-		145, 2-149, 3-3,	0681607	..... 1-21
0340041	2-24, 2-32, 2-40, 2-		77, 2-103, 2-104		3-7, 3-11, 3-12	0681608	..... 1-21, 3-8, 3-13

## SECTION 11 PARTS NUMBER INDEX

Part Number	Page	Part Number	Page	Part Number	Page	Part Number	Page
0681632	3-3	0861706	2-133	0962336	5-11	1001093912	2-142
0681810	1-25	0861707	2-133	0962348	1-11	1001093913	2-142
0681820	1-21	0861708	2-133	0962449	2-61, 2-109	1001093914	2-143, 7-39, 7-56
0681822	1-5, 1-11, 1-49, 4-7	0861709	2-133	0962474	5-3	1001093915	2-143, 7-39, 7-56
0681824	1-11	0861731	7-41, 7-58	1001091179	2-55	1001093916	3-4, 7-33, 7-51
0681828	1-5, 1-17	0861736	2-133	1001091559	2-125	1001093917	7-33, 7-51
0681832	2-11	0861737	2-133	1001091566	2-125	1001093918	7-34, 7-51
0681856	1-49	0861738	2-133	1001091583	2-68	1001093919	3-4, 3-12, 7-33, 7-51
0681872	1-49	0861739	2-133	1001091587	2-67, 2-73	1001093920	7-33, 7-51
0682014	1-25	0861773	2-133	1001091627	2-67	1001093921	7-34, 7-51
0682018	2-11	0861774	2-133	1001091628	2-67	1001093922	3-4, 7-33, 7-51
0682026	2-11	0861781	7-41, 7-58	1001091629	2-66	1001093923	7-33
0682034	2-11	0861782	7-41, 7-58	1001091687	6-13, 6-21, 6-31, 6-38, 6-39	1001093924	3-4, 3-12, 7-33, 7-51
0682040	1-53	0861880	7-43, 7-60	1001091729	6-5, 6-38	1001093925	7-33
0682048	2-11	0902556	2-129	1001091730	6-7, 6-38	1001093928	1-10
0682248	1-4, 1-9, 1-16	0902668	2-145, 2-149	1001091794	2-69, 2-74	1001093929	1-9
0700808	2-24, 2-32, 2-88, 2-97	0902669	2-145, 2-149	1001091892	2-55, 2-68	1001093930	6-17, 6-38
0700810	2-57, 2-68, 2-73	0902673	2-146, 2-150	1001091926	6-5, 6-38	1001093932	6-17
0700816	2-54	0902674	2-146, 2-150	1001091927	6-7, 6-38	1001093933	6-17, 6-21, 6-25
0700820	2-77	0902733	1-53	1001091969	7-40, 7-57	1001093934	6-17
0701016	2-77	0902734	1-53	1001091970	7-40, 7-57	1001093935	6-17, 6-21, 6-22, 6-25
0701217	2-47, 2-109	0902740	2-55	1001091971	7-40, 7-57	1001093936	10-2
0711014	2-54	0902751	4-11	1001091972	7-40, 7-57	1001093938	10-2
0711414	2-54	0903063	2-55	1001091973	7-40, 7-57	1001093941	6-39
0720805	2-135, 2-139	0903484	7-43, 7-60	1001091974	7-40, 7-57	1001093972	1-15
0721003	4-14	0903566	7-43, 7-60	1001091975	7-40, 7-57	1001093973	1-4
0721004	2-24, 2-82, 2-133, 2-137	0920119	2-11	1001091986	6-21, 6-38	1001094001	10-2
0721005	2-121, 4-9	0940049	2-27, 2-35, 2-42, 2-52, 2-66, 2-72, 2-85, 2-95, 2-104, 2-145, 2-149	1001092120	6-13, 6-38	1001094003	1-53
0721006	2-24, 2-62, 2-82, 2-110	0940071	2-145, 2-149	1001092140	6-38	1001094475	10-5
0721008	2-47, 2-62, 2-110, 4-12	0940103	4-9	1001092723	2-55, 2-57	1001094608	2-27, 2-35, 2-43, 2-53, 2-66, 2-73, 2-86, 2-96, 2-105
0731005	4-9	0940177	4-9	1001093275	7-41, 7-57	1001094684	6-21, 6-38
0731007	2-125	0941611	2-26, 2-34	1001093359	6-31, 6-38	1001095198	2-11
0741605	3-8, 3-11	0961845	4-3	1001093360	6-31, 6-38	1001095203	2-85
0741610	2-24, 2-32, 2-40, 2-55, 2-68, 2-73, 2-82, 2-92, 2-102	0961893	5-11	1001093380	1-15, 1-16	1001095204	2-82
0750808	2-146, 2-150	0961894	5-7, 5-15	1001093381	1-3, 1-5	1001095205	2-84, 2-87
0760612	2-84, 2-94	0961896	5-23	1001093434	2-3	1001095206	2-85
0760810	2-84, 2-94	0961897	5-13	1001093435	2-3	1001095207	2-82
0760815	2-32, 2-40, 2-92, 2-102	0961897	5-13	1001093691	6-39	1001095409	10-4
0771012	2-54	0961947	3-12, 3-15	1001093747	1-25, 1-45	1001095879	2-86
0801213	3-7	0961948	1-49	1001093749	1-25, 1-45	1001095880	2-86
0801214	3-11	0961948	1-49	1001093844	1-3	1001096160	6-21
0801215	3-7	0961948	1-49	1001093845	1-4	1001096161	6-21
0801216	3-11	0961950	1-3, 1-4, 1-9, 1-10, 1-15, 1-16, 1-21, 3-7, 3-11, 5-13	1001093846	1-3, 1-10	1001096167	6-21, 6-25
0801359	3-3, 3-7	0961951	1-6, 1-12, 3-7, 3-11, 3-15, 5-7, 5-9, 5-15, 5-17	1001093851	1-3, 1-10, 1-15, 1-21	1001096168	6-21, 6-25
0801360	3-3, 3-11	0962140	1-6, 1-12, 1-17, 1-21, 5-3	1001093856	1-45	1001096191	6-5, 6-7, 6-9
0860038	7-41, 7-58	0962172	2-24, 2-32, 2-40, 2-55, 2-68, 2-73, 2-82, 2-92, 2-102	1001093861	1-45	1001096192	6-5, 6-7
0860520	8-4, 8-11, 8-16	0962270	4-7	1001093876	1-53	1001096193	6-5, 6-7, 6-9
0861537	4-11, 4-12	0962292	1-11	1001093879	1-9, 1-10	1001096556	6-13, 6-15
0861542	7-45, 7-62	0962293	1-49	1001093889	1-45	1001096557	6-5, 6-7
0861567	7-45, 7-62	0962335	3-12	1001093890	1-45	1001097150	7-43, 7-60
0861571	4-4, 4-11			1001093894	2-52	1001097324	2-109, 2-111
				1001093895	2-53		
				1001093896	2-54		
				1001093897	10-2		
				1001093898	2-24		
				1001093899	2-27		
				1001093910	2-142		

# SECTION 11 PARTS NUMBER INDEX

Part Number	Page	Part Number	Page	Part Number	Page	Part Number	Page
1001097325	.... 2-109, 2-111	1001100346	..... 7-44, 7-61	1001102899	..... 2-137	1001108464	..... 6-25, 6-38
1001097327	.2-48, 2-109, 2-111	1001100347	..... 7-44, 7-61	1001102901	.7-3, 7-53, 7-55	1001108465	..... 6-25, 6-38
1001097330	..... 2-111	1001100424	1-3, 1-5, 1-10, 1-15, 1-16	1001102991	..... 2-82	1001108466	..... 6-15, 6-38
1001097331	..... 7-45, 10-7	1001100469	..... 2-102	1001102992	..... 2-86	1001108467	..... 6-39
1001097332	..... 7-45, 10-7	1001100577	... 2-33, 2-41, 2-92, 2-103	1001102993	..... 2-85	1001108476	..... 6-25
1001097339	... 2-109, 2-111	1001100656	..... 2-63	1001103478	..... 1-26	1001108477	..... 6-15, 6-25
1001097340	... 2-109, 2-111	1001100657	..... 2-63	1001103479	..... 1-26	1001108478	..... 6-15, 6-25
1001097551	..... 2-84	1001100732	..... 2-61, 2-63	1001103667	..... 2-137, 9-2	1001108480	..... 6-25
1001097552	..... 2-84	1001100749	..... 2-61, 2-63	1001103769	..... 2-105, 7-55	1001108481	..... 6-25
1001097553	..... 2-84, 2-94	1001100818	... 2-33, 2-41, 2-93, 2-103	1001103770	..... 2-104	1001108482	..... 6-9
1001097554	... 2-29, 2-36, 2-84, 2-94	1001100825	... 2-26, 2-34, 2-41, 2-85, 2-94, 2-103	1001104308	..... 2-56	1001108492	..... 8-3, 8-8
1001097555	..... 2-84, 2-94	1001100837	... 2-33, 2-41, 2-93, 2-103	1001104689	... 2-24, 2-28, 2-32, 2-36	1001108877	..... 4-4, 4-11
1001097588	... 2-26, 2-34, 2-41, 2-84, 2-94, 2-103	1001100857	... 2-35, 2-43, 2-86, 2-96, 2-105	1001105872	..... 2-69	1001108878	..... 4-4
1001097893	..... 2-84, 2-94	1001100941	..... 2-111	1001106339	..... 7-53	1001108879	..... 7-3
1001097962	... 2-145, 2-149	1001100942	..... 2-111	1001106340	..... 7-53	1001108880	..... 4-4, 4-11
1001097963	... 2-145, 2-149	1001100943	... 2-109, 2-111	1001106355	..... 4-11, 9-2	1001108881	..... 4-4
1001098130	..... 1-21	1001100944	... 2-109, 2-111	1001106426	..... 2-41, 2-44	1001108923	..... 8-4, 8-12
1001098149	..... 10-6	1001101062	2-11, 2-20, 2-21	1001106460	..... 2-105	1001108978	..... 2-137
1001098525	... 2-25, 2-33, 2-41, 2-83, 2-93, 2-103	1001101191	..... 7-42, 7-59	1001106461	..... 2-104	1001108979	..... 2-137
1001098839	.2-134, 7-34, 7-36	1001101196	..... 7-42, 7-59	1001106467	..... 2-40	1001108980	..... 2-137
1001098923	..... 7-36	1001101201	... 2-33, 2-41, 2-93, 2-103	1001106468	..... 2-43	1001108981	..... 2-137
1001099161	..... 6-22, 6-25	1001101228	..... 2-26, 2-85	1001106469	..... 2-42	1001108982	..... 2-137
1001099162	..... 6-22, 6-25	1001101232	..... 2-25, 2-85	1001106470	..... 2-43	1001108983	..... 2-137
1001099370	... 2-103, 2-106	1001101233	..... 2-25, 2-85	1001106471	..... 2-42	1001108995	..... 4-13
1001099376	..... 10-6	1001101408	... 2-33, 2-41, 2-93, 2-103	1001106478	..... 2-142	1001108996	..... 4-13
1001099390	..... 1-45	1001101422	..... 10-6	1001106479	..... 2-142	1001108997	..... 4-13
1001099391	..... 2-3	1001101681	... 2-33, 2-41, 2-93, 2-103	1001106482	..... 2-142	1001109039	..... 2-139
1001099421	..... 10-6	1001101733	..... 2-41, 2-103	1001106736	..... 2-138	1001109040	..... 2-139
1001099422	..... 10-6	1001101835	... 2-146, 2-150	1001106761	.1-6, 1-12, 1-18	1001109041	..... 2-139
1001099830	..... 3-3, 3-4	1001101836	... 2-146, 2-150	1001106762	.1-6, 1-12, 1-18	1001109042	..... 2-139
1001099869	..... 2-62, 2-111	1001101950	... 2-33, 2-41, 2-93, 2-103	1001106763	1-6, 1-7, 1-12, 1-13, 1-18	1001109043	..... 2-139
1001099926	2-84, 2-94, 7-40	1001102131	... 2-84, 2-87, 2-94, 2-97	1001106764	.1-7, 1-12, 1-18	1001109044	..... 2-139
1001099927	2-84, 2-94, 7-38	1001102270	..... 2-94, 2-97	1001106837	..... 2-131	1001109089	.2-138, 7-52, 7-53
1001100027	.7-2, 7-44, 7-61	1001102308	..... 2-25, 2-85	1001106910	..... 1-4	1001109114	.2-138, 7-52, 7-53
1001100233	..... 2-62, 2-111	1001102354	..... 1-50	1001106911	..... 1-15	1001109121	.7-3, 7-53, 7-55
1001100305	..... 7-45	1001102585	..... 2-41, 2-103	1001106966	..... 6-9, 6-38	1001109200	.7-3, 7-53, 7-55
1001100321	... 2-47, 2-61, 2-77, 2-109	1001102595	... 2-133, 2-137	1001106974	..... 2-131	1001109402	... 2-146, 2-151
1001100326	..... 7-40, 7-57	1001102596	... 2-133, 2-137	1001106999	..... 2-138, 7-52	1001109403	... 2-146, 2-151
1001100327	..... 7-40, 7-57	1001102647	..... 10-6	1001107107	..... 2-137	1001109475	..... 7-43, 7-60
1001100328	..... 7-40, 7-57	1001102706	... 2-34, 2-41, 2-93, 2-103	1001107116	... 2-25, 2-33, 2-40, 2-83, 2-93, 2-102	1001109477	..... 7-43, 7-60
1001100329	..... 7-40, 7-57	1001102798	.2-138, 7-52, 7-53	1001107440	4-12, 7-32, 7-50	1001109482	..... 7-43, 7-60
1001100331	..... 7-40, 7-57	1001102859	..... 2-43, 2-105	1001107527	..... 4-11	1001109542	..... 2-131
1001100333	..... 7-40, 7-57	1001102896	..... 2-137	1001107626	..... 2-139	1001109545	... 2-133, 2-137
1001100337	..... 7-40, 7-57	1001102897	..... 2-137	1001107627	..... 2-139	1001109698	..... 10-5
1001100341	..... 7-43, 7-60	1001102898	..... 2-137	1001107628	..... 2-139	1001109766	..... 10-5
1001100342	..... 7-43, 7-60			1001107629	..... 2-139	1001109863	..... 7-41, 7-57
1001100343	... 7-41, 7-43, 7-58, 7-60			1001107677	..... 4-11	1001109864	..... 7-43, 7-60
1001100344	... 7-41, 7-44, 7-58, 7-61			1001107849	..... 4-13	1001110138	..... 10-5
1001100345	..... 7-44, 7-61			1001107850	..... 4-13	1001110139	..... 10-5
				1001107851	..... 4-13	1001110143	..... 4-11
				1001108256	..... 4-9	1001110434	..... 4-11
				1001108382	..... 1-9	1001110872	..... 7-45, 7-62
				1001108461	..... 6-39	1001110873	... 7-41, 7-45, 7-58, 7-62
				1001108462	..... 6-35, 6-38	1001110999	..... 10-5
				1001108463	..... 6-35, 6-38	1001111000	..... 10-5
						1001111001	..... 10-5

## SECTION 11 PARTS NUMBER INDEX

Part Number	Page	Part Number	Page	Part Number	Page	Part Number	Page
1001111285	.....2-47, 2-111	1001121814	..... 8-3, 8-10	1001137828	.....2-55, 2-57	1001142826	..... 2-56
1001111814	..... 2-111	1001121815	..... 8-10	1001137829	..... 2-54	1001142963	..... 1-45
1001111815	..... 2-111	1001121816	..... 8-10	1001137830	..... 2-53	1001142964	..... 1-45
1001112101	..... 7-62, 10-7	1001121817	..... 8-10	1001137831	..... 2-52	1001143073	..... 10-3
1001112408	..... 7-62, 10-7	1001121820	..... 8-10	1001137832	..... 2-54	1001143234	..... 2-11
1001112551	..... 8-16	1001121821	..... 8-10	1001137833	..... 2-53	1001143256	..... 10-6
1001112586	..... 7-63	1001121822	..... 8-10	1001137834	..... 2-52	1001143393	..... 2-121
1001112587	..... 7-63	1001121825	..... 8-10	1001138135	..... 2-56	1001143434	1-5, 1-11, 1-22, 5-21
1001112588	..... 7-2, 7-61	1001121918	..... 8-9	1001138430	..... 4-3	1001143508	..... 10-3
1001112589	..... 7-61	1001121920	..... 8-9	1001138431	..... 4-3	1001143571	..... 1-6, 1-12, 1-22
1001112612	..... 7-53	1001121921	..... 8-10	1001138494	..... 4-4	1001143669	..... 10-6
1001112743	..... 7-2, 7-61	1001121923	..... 8-10	1001138514	..... 4-4	1001143872	..... 2-54
1001112975	..... 10-2	1001122200	..... 8-9	1001138780	..... 1-22	1001143873	..... 2-53
1001112977	..... 10-2	1001122201	..... 8-10	1001139048	..... 1-22	1001143874	..... 2-54
1001113307	..... 1-26	1001125322	..... 8-3	1001139049	..... 1-21	1001143875	..... 2-53
1001113308	..... 1-26	1001125323	..... 8-9	1001139141	..... 1-22	1001144018	..... 4-3
1001113366	..... 1-26	1001125324	..... 8-9	1001139476	..... 1-22	1001144019	..... 4-3
1001113961	..... 4-21	1001125325	..... 8-9	1001139586	..... 1-22	1001144021	..... 4-3
1001114404	..... 8-15	1001125327	..... 8-9	1001139616	..... 1-21	1001144022	..... 4-3
1001114405	..... 8-15	1001125328	..... 8-9	1001139617	..... 1-21	1001144023	..... 4-3
1001114595	..... 2-74	1001125329	..... 8-9	1001139645	..... 1-22	1001144024	..... 4-3
1001114605	..... 2-73	1001125330	..... 8-9	1001139697	..... 1-5	1001144026	..... 4-3
1001114606	..... 2-73	1001125331	..... 8-3	1001139699	..... 1-4	1001144027	..... 4-3
1001114607	..... 2-72	1001125332	..... 8-10	1001139700	..... 1-3	1001144476	..... 2-55, 2-57
1001115390	..... 7-62, 10-7	1001125333	..... 8-10	1001139704	..... 1-3, 1-5	1001144629	..... 4-3
1001115403	..... 2-63	1001125334	..... 8-10	1001139705	..... 1-9, 1-10	1001145140	..... 8-4, 8-12, 8-16
1001115411	..... 2-63	1001125335	..... 8-10	1001139742	..... 1-10	1001145837	..... 10-4
1001115412	..... 2-63	1001125336	..... 8-10	1001139743	..... 1-9	1001145875	..... 4-4
1001115721	..... 7-62, 10-7	1001125337	..... 8-10	1001139819	..... 2-56	1001145877	..... 4-4, 4-11
1001115930	..... 2-73, 10-5	1001125338	..... 8-10	1001139877	..... 1-11	1001146956	..... 2-149
1001116162	..... 10-7	1001125957	..... 1-45	1001139890	..... 10-4	1001146973	..... 2-149
1001116245	..... 10-3	1001125958	..... 1-45	1001139892	..... 1-22	1001146992	2-146, 2-149, 2- 151
1001116246	..... 10-3	1001125978	..... 2-84, 2-94	1001139901	..... 1-11	1001147513	..... 10-2
1001116867	..... 1-22	1001127088	..... 10-2	1001139935	..... 1-21	1001147514	..... 10-2
1001117037	..... 2-150	1001127093	..... 10-3	1001139943	..... 1-22	1001148145	..... 10-3
1001117041	..... 2-149	1001128125	..... 2-34, 2-94	1001140334	..... 2-55	1001148146	..... 10-3
1001117139	..... 2-150, 2-151	1001128940	..... 10-3	1001140429	..... 4-4	1001148902	..... 10-4
1001117140	..... 2-151	1001129555	..... 4-11, 4-17, 4- 18, 9-1	1001140570	..... 1-6, 1-12	1001148903	..... 10-4
1001117172	..... 4-4	1001130294	..... 2-92	1001140586	..... 3-7, 5-9	1001148904	..... 10-4
1001117174	..... 4-4	1001130295	..... 2-92	1001140587	..... 3-3, 5-17	1001148905	..... 10-4
1001117320	..... 4-4	1001130296	..... 2-92	1001140622	..... 10-3	1001148906	..... 10-4
1001118105	..... 10-7	1001130296	..... 2-92	1001141045	1-6, 1-12, 1-22	1001148971	..... 10-5
1001118416	..... 4-11, 4-21, 4- 22, 9-1	1001130446	..... 2-32	1001141058	1-6, 1-7, 1-12, 1- 13, 1-22	1001149036	..... 3-7, 3-11
1001118417	..... 4-11, 4-17	1001130447	..... 2-32	1001141065	1-6, 1-12, 1-22	1001149038	..... 3-7, 3-11
1001119661	..... 8-12	1001130543	..... 2-96	1001141139	..... 2-74	1001149039	..... 3-8, 3-11
1001121115	..... 2-41, 2-103	1001130544	..... 2-96	1001141473	..... 10-4	1001149540	..... 2-149
1001121592	..... 4-9	1001130545	..... 2-96	1001141693	..... 2-55	1001149560	..... 10-6
1001121593	..... 4-9	1001130546	..... 2-34	1001141694	..... 2-54	1001149730	..... 10-6
1001121800	..... 8-3	1001130547	..... 2-34	1001141694	..... 2-54	1001150314	..... 1-11
1001121801	..... 8-3, 8-9	1001130548	..... 2-95	1001141708	..... 2-55	1001150315	..... 1-11
1001121802	..... 8-9	1001130549	..... 2-95	1001141748	..... 2-56	1001150998	..... 2-56
1001121803	..... 8-9	1001130550	..... 2-95	1001141967	..... 7-41, 7-58	1001151096	..... 10-4
1001121804	..... 8-9	1001130749	..... 10-4	1001141968	..... 7-41, 7-58	1001152965	..... 10-7
1001121807	..... 8-9	1001131168	..... 4-11	1001141969	..... 7-41, 7-58	1001154231	..... 10-7
1001121808	..... 8-9	1001131269	..... 8-4, 8-11	1001142454	..... 1-45	1060279	..... 8-4, 8-11, 8-16
1001121809	..... 8-9	1001131992	..... 7-3	1001142455	..... 1-45	1060341	..... 4-9, 7-46, 7-63
1001121812	..... 8-9	1001132726	..... 10-2	1001142456	..... 1-45	1060343	..... 7-46, 7-62
1001121813	..... 8-3	1001137005	..... 10-8	1001142504	..... 10-5		
		1001137672	..... 10-6	1001142505	..... 10-5		

# SECTION 11 PARTS NUMBER INDEX

Part Number	Page	Part Number	Page	Part Number	Page	Part Number	Page
1060494	7-45, 7-62	1320323	2-66, 2-72	1684312	5-23	1703175	10-3
1060626	2-28, 2-35, 2-43, 2-53, 2-86, 2-96, 2-105	1340060	2-24, 2-32, 2-40, 2-55, 2-68, 2-73, 2-82, 2-92, 2-102	1684412	1-5, 1-11, 1-17, 5-19	1703450	1-53
1060633	7-47, 7-64	1340061	10-2	1684465	1-4, 1-9, 1-16, 1-21, 5-5	1703464	7-43, 7-60
1060708	7-46, 7-62	14922737	7-38	1700584	8-4, 8-11, 8-15	1703479	10-3
1060896	7-34, 7-52	1580011	2-24, 2-32, 2-40, 2-68, 2-73, 2-82, 2-92, 2-102	1700818	8-4, 8-12	1703797	8-3
1060902	7-47, 7-64	1580012	4-5	1701499	8-4, 8-12, 8-16	1703798	8-3
1060903	4-9	1580013	4-5	1701500	8-4, 8-11, 8-16	1703804	8-3
1060904	2-24, 2-32, 2-56, 2-82, 2-92, 7-38	1600244	7-47, 7-64	1701502	8-3, 8-11, 8-15	1703805	8-3
1060908	7-43, 7-60	1600317	4-11, 4-17	1701503	8-4, 8-11, 8-15	1703923	8-7
1060918	4-4, 7-32, 7-50	1600318	4-11, 4-21	1701504	8-4, 8-11, 8-15	1703924	8-7
1060919	4-7	1600351	2-29, 2-37	1701505	2-27, 2-35, 2-42, 2-52, 2-85, 2-95, 2-104, 8-4, 8-12, 8-16	1703925	8-7
1060977	7-47, 7-63	1600375	4-11	1701509	8-4, 8-11, 8-15	1703926	8-7
1060983	4-5, 7-33, 7-46, 7-51, 7-63	1600411	2-133	1701518	8-15	1703927	8-7
1060984	7-33, 7-51	1660219	2-129	1701529	8-4, 8-11, 8-16	1703928	8-7
1060985	7-33, 7-51	1660219RR	2-129	1701542	2-66, 2-72, 8-4, 8-12	1703929	8-7
1060986	7-33, 7-51	1660234	2-57	1701543	2-66, 2-72, 8-4, 8-12	1703930	8-7
1100118	1-4, 1-9, 1-16	1660255	2-24, 2-32, 2-40, 2-82, 2-92, 2-102	1701645	8-3, 8-8	1703931	8-7
1100123	1-4, 1-9, 1-16	1670769	3-12	1701691	8-4, 8-12, 8-16	1703932	8-7
1120484	2-125	1670824	2-142	1702153	8-4	1703933	8-7
1120487	2-125	1670829	2-133, 2-137, 4-11	1702300	8-4, 8-11, 8-15	1703934	8-7
1120532	2-125	1670836	3-8, 3-11	1702565	4-11	1703935	8-7
1120552	1-27	1670870	10-5	1702566	4-11	1703936	8-7
1180336	3-3	1670894	10-5	1702567	4-11	1703937	8-7
1180379	3-4	1670956	2-143	1702590	2-78	1703938	8-7
1260017	2-12	1671037	4-11	1702676	4-11	1703939	8-7
1283002	7-2	1671092	7-46, 7-62	1702688	8-3, 8-9	1703940	8-7
1300019	1-27	1671170	2-145, 2-149	1702720	8-12	1703948	8-8
1320012	2-24, 2-32, 2-40, 2-68, 2-73, 2-82, 2-92, 2-102	1683053	5-11	1702738	1-26	1703949	8-8
1320016	2-24, 2-32, 2-40, 2-55, 2-68, 2-73, 2-82, 2-92, 2-102	1683054	5-23	1702740	1-26	1703950	8-8
1320022	2-24, 2-27, 2-32, 2-34, 2-40, 2-42, 2-52, 2-53, 2-55, 2-66, 2-68, 2-72, 2-73, 2-82, 2-85, 2-92, 2-95, 2-102, 2-104	1683055	5-7, 5-15	1702773	8-3, 8-8, 8-15	1703951	8-8
1320058	2-32, 2-40, 2-92, 2-102	1683063	5-13	1702774	8-3, 8-8, 8-15	1703952	8-8
1320126	2-121	1683076	5-3	1702788	10-3	1703980	8-11
1320127	2-121	1683261	5-11	1702861	8-3, 8-8, 8-15	1703981	8-11
1320176	2-55, 2-59	1683572	5-3	1702868	8-3, 10-4	1703982	8-11
1320218	2-121	1683609	3-12, 5-11	1702938	4-9, 4-14	1703983	8-11
1320220	2-121	1683658	5-19	1702941	2-28, 2-35, 2-43, 2-53, 2-86, 2-96, 2-105	1703984	8-11
1320223	2-27, 2-34, 2-40, 2-42, 2-52, 2-55, 2-66, 2-85, 2-95, 2-102, 2-104	1683687	5-11	1702942	2-26, 2-34, 2-43, 2-53, 2-85, 2-94, 2-105	1703985	8-11
1320318	2-35, 2-40, 2-42, 2-86, 2-96, 2-102, 2-104	1683776	3-3, 5-13	1702943	2-28, 2-35, 2-43, 2-53, 2-86, 2-96, 2-105	1703996	8-8
		1683778	3-7, 5-7			1704000	8-8, 10-4
		1683844	5-13			1704001	8-8
		1683846	5-13			1704002	8-8
		1683861	5-7			1704003	8-8
		1683950	5-15			1704004	8-8
		1683952	5-7			1704005	8-8
		1684012	5-7			1704006	8-11
		1684013	3-11, 5-7			1704007	8-11
		1684138	5-3			1704008	8-11
		1684139	1-4, 1-9, 1-16, 5-3			1704096	8-3
		1684193	5-23			1704098	8-8
		1684194	3-7, 3-11, 5-23			1704099	8-8
		1684283	5-15			1704100	8-8
		1684284	3-3, 5-15			1704101	8-8
		1684290	5-5			1704102	8-8
						1704103	8-8
						1704104	8-3
						1704106	8-9
						1704107	8-9
						1704108	8-9

## SECTION 11 PARTS NUMBER INDEX

Part Number	Page	Part Number	Page	Part Number	Page	Part Number	Page
1704109	8-9	1706059	2-53	2000313	2-24	2220372	6-27, 6-31, 6-35
1704110	8-9	1706060	2-53	2000338	2-55, 2-57	2220373	6-11, 6-13, 6-15, 6-17, 6-21, 6-25, 6-27, 6-31, 6-35
1704111	8-9	1706061	2-53	2000347	2-54		
1704112	8-9	1706062	2-53	2000354	2-68		
1704174	10-3	1706063	2-53	2000358	2-67	2220375	2-115, 6-3, 6-11, 6-13, 6-15, 6-17, 6-21, 6-25, 6-27, 6-31, 6-35
1704175	10-3	1706064	2-53	2000359	2-67		
1704260	4-11	1706098	2-53	2060025	2-55, 2-68, 2-74		
1704271	8-12	1706126	8-4, 8-11, 8-12, 8-16	2060032	2-24, 2-82		
1704277	8-3, 8-8, 8-15	1706382	8-15	2080040	4-3, 4-5	2220376	2-115, 6-27
1704412	8-4, 8-12, 8-16	1706385	4-7	2080044	3-12	2220377	6-27, 6-31, 6-35
1704465	2-133	1706708	8-3, 8-8	2120209	2-3	2220379	6-27, 6-31, 6-35
1704466	2-133	1706709	8-3, 8-8	2120210	2-3, 9-1	2220380	6-27, 6-31, 6-35
1704472	8-3, 8-8, 8-15	1706712	2-133, 2-137	2160002	2-12	2220385	2-29, 2-37, 2-44, 2-59, 2-69, 2-75, 2-87, 2-96, 2-106, 6-3, 6-5, 6-7, 6-21, 6-27
1704473	8-3, 8-8, 8-15	1706941	8-3, 8-8	2180125	2-121		
1704484	4-13	1706945	2-133	2180344	2-12	2220415	6-3, 6-5, 6-7, 6-9, 6-11, 6-17, 6-21, 6-25, 6-27, 6-31, 6-35
1704485	4-13	1706946	2-133	2180348	2-52, 2-66, 2-72		
1704486	4-13	1707013	8-3, 8-10	2180387	2-121, 2-122		
1704487	4-13	1707014	8-3	2180388	2-121		
1704488	8-3	1707031	8-16	2180389	2-121, 2-122		
1704489	8-3	1707042	8-10	2180418	2-121		
1704514	4-13	1707043	8-10	2180422	6-28, 6-32, 6-36		
1704578	1-53	1707044	8-10	2180482	2-24, 2-82	2220435	6-11, 6-13, 6-15, 6-17, 6-25, 6-27, 6-31, 6-35
1704586	1-50	1707045	8-10	2180504	2-122		
1704726	8-4, 8-12, 8-16	1707046	8-10	2180536	2-27, 2-34, 2-42, 2-85, 2-95, 2-104	2220451	2-55, 6-21, 6-25, 6-27, 6-31, 6-35
1704828	8-4, 8-11, 8-12, 8-16	1707047	8-10			2220459	2-27, 2-34, 2-42, 2-85, 2-95, 2-104
1704829	8-4, 8-11, 8-12, 8-16	1707048	8-10	2180724	6-28, 6-32, 6-36		
1704885	8-5, 8-12, 8-16	1707053	8-10	2180877	2-69, 2-74	2220465	6-11, 6-13, 6-15, 6-17, 6-21, 6-25
1704972	2-53	1707054	8-10	2200221	2-55	2220466	6-11, 6-13, 6-15, 6-18, 6-21, 6-25, 6-27, 6-31, 6-35
1704997	4-11	1707055	8-9	2200222	2-15, 2-27, 2-34, 2-42, 2-52, 2-66, 2-72, 2-85, 2-95, 2-104		
1705014	4-7	1707058	8-9			2220472	6-18, 6-21, 6-25, 6-27, 6-31, 6-35
1705065	8-9	1707059	8-9	2220001	2-12	2220473	6-15, 6-25, 6-27, 6-31, 6-35
1705066	8-9	1707060	8-9	2220005	2-121		
1705067	8-9	1707125	8-10	2220082	2-121	2220479	2-29, 2-37, 2-44, 2-59, 2-69, 2-75, 2-87, 2-96, 2-106, 6-27
1705068	8-9	1707126	8-10	2220124	2-12	2220481	6-11, 6-13, 6-15
1705069	8-9	1707127	8-10	2220237	6-11, 6-13, 6-15, 6-17, 6-21, 6-25, 6-27, 6-31, 6-35	2220490	6-3, 6-5, 6-7, 6-9
1705070	8-9	1707128	8-10			2220497	6-27, 6-31
1705071	8-10	1707129	8-3	2220240	6-11	2220498	2-115, 6-27
1705072	8-10	1707130	8-10	2220242	6-11, 6-13, 6-17, 6-21	2220500	6-27, 6-31, 6-35
1705073	8-10	1707131	8-10	2220250	2-27, 2-34, 2-42, 2-85, 2-95, 2-104	2220501	6-3, 6-11, 6-13, 6-15, 6-17, 6-21, 6-25
1705074	8-10	1707132	8-10	2220261	2-121		
1705075	8-10	1707133	8-10	2220273	2-12, 2-27, 2-34, 2-42, 2-52, 2-85, 2-95, 2-104	2220502	6-27, 6-31, 6-35
1705076	8-10	1707134	8-9			2220504	6-5, 6-7, 6-9, 6-11, 6-13, 6-15, 6-17, 6-21, 6-25
1705084	8-15	1780307	2-133	2220290	2-122		
1705132	2-135, 4-12	1810108	2-133	2220313	2-27, 2-34, 2-42, 2-52, 2-66, 2-85, 2-95, 2-104	2220567	2-24, 2-32, 2-43, 2-54, 2-67, 2-73, 2-82, 2-92, 2-105, 6-27, 6-31
1705170	4-14	1810109	2-133				
1705276	8-16	1810110	2-133				
1705351	8-5	1810111	2-133				
1705364	1-27	1810112	2-133				
1705426	8-12	1810113	2-133				
1705427	8-12	1810114	2-133				
1705429	8-12	1810115	2-133				
1705430	8-12	1810116	2-133				
1705822	8-15	1810117	2-133				
1705828	8-16	1870132	7-3				
1705905	8-12	1870191	7-3				
1705910	8-12	1870215	7-3				
1705921	8-15	2000195	2-24, 2-28				
1705961	8-15	2000216	2-58				
1705978	8-15	2000286	2-53				

# SECTION 11 PARTS NUMBER INDEX

Part Number	Page	Part Number	Page	Part Number	Page	Part Number	Page
2220568	..... 6-11, 6-13, 6-21	2221063	..... 6-28	2580062	..... 2-57	2752495	..... 6-11, 6-17
2220578	... 2-115, 6-17, 6-28	2221086	..... 6-27, 6-31, 6-35	2600209	..... 2-145, 2-149	2752496	..... 6-11, 6-18
2220582	6-5, 6-7, 6-11, 6-13, 6-15, 6-17, 6-21, 6-25, 6-27, 6-31, 6-35	2221176	..... 2-52, 2-66, 2-72	2600258	..... 2-145, 2-149	2752502	..... 6-17
2220596	6-11, 6-15, 6-17, 6- 21, 6-25, 6-27, 6-31, 6-35	2221216	..... 6-28	2600281	..... 4-3	2752506	6-11, 6-13, 6-18, 6- 21
2220600	6-11, 6-13, 6-15, 6- 17, 6-27	2300004	2-28, 2-35, 2-42, 2- 72, 2-86, 2-95, 2-104, 10-5	2680463	..... 2-145, 2-149	2752514	..... 6-21
2220602	..... 6-18	2300014	..... 10-5	2680464	..... 2-145, 2-149	2752519	..... 6-28, 6-32, 6-36
2220603	6-3, 6-5, 6-7, 6-28, 6-31, 6-35	2300016	..... 1-25, 10-5	2680471	..... 2-145, 2-149	2752594	6-13, 6-17, 6-21, 6- 25
2220605	..... 6-5, 6-7	2300021	..... 10-5	2680516	..... 2-145, 2-149	2752632	..... 6-3
2220618	..... 6-21	2300027	..... 10-5	2720058	2-24, 2-27, 2-32, 2- 35, 2-40, 2-42, 2-53, 2-67, 2-68, 2-74, 2-82, 2-85, 2-92, 2-95, 2- 102, 2-104	2752763	..... 6-28, 6-32, 6-36
2220622	..... 6-32, 6-36	2300029	..... 10-5	2720144	..... 2-121	2752908	6-11, 6-13, 6-15, 6- 17, 6-21, 6-25
2220635	..... 6-3, 6-7	2300039	..... 10-5	2720149	..... 2-122	2752942	..... 6-28
2220648	..... 2-121	2300041	2-26, 2-28, 2-34, 2- 35, 2-42, 2-86, 2-95, 2-104, 10- 5	2720271	2-26, 2-27, 2-34, 2- 35, 2-41, 2-42, 2-69, 2-74, 2-85, 2-94, 2-95, 2- 103, 2-104	2752944	..... 6-17
2220654	..... 6-31, 6-35	2360650	..... 1-6, 1-12, 1-18	2720392	..... 2-121	2752977	6-11, 6-13, 6-17, 6- 21
2220677	..... 6-36	2360651	..... 1-6, 1-12, 1-18	2720398	..... 2-55	2753035	..... 6-3, 6-17
2220711	..... 6-3	2360652	1-6, 1-7, 1-12, 1-13, 1-18	2720434	..... 2-55	2753118	..... 6-3
2220738	..... 6-31, 6-35	2360653	..... 1-7, 1-12, 1-18	2720449	..... 2-55	2753162	..... 6-18
2220775	6-5, 6-7, 6-27, 6-31, 6-35	2360756	..... 1-6, 1-12, 1-18	2720474	..... 2-66	2753196	..... 6-25
2220794	2-27, 2-34, 2-42, 2- 52, 2-85, 2-95, 2-104	2360794	..... 1-6, 1-12, 1-18	2720507	..... 2-25, 2-85	2753339	..... 6-3
2220810	2-29, 2-37, 2-44, 2- 59, 2-69, 2-75, 2-87, 2-96, 2- 106, 6-27	2360795	1-6, 1-7, 1-12, 1-13, 1-18	2720508	..... 2-25, 2-82	2753342	..... 6-3
2220852	..... 6-31, 6-35	2360796	..... 1-7, 1-12, 1-18	2720514	..... 2-68, 2-74	2753343	6-11, 6-13, 6-15, 6- 18, 6-21, 6-25
2220883	.. 1-37, 1-38, 5-7, 5- 11, 5-13	2400060	..... 7-46, 7-63	2720563	..... 2-68, 2-74	2753344	..... 6-11, 6-13, 6-15
2220885	5-3, 5-7, 5-11, 5-15, 5-23	2400064	..... 7-46, 7-63	2720564	..... 2-68, 2-74	2753345	6-17, 6-21, 6-22, 6- 25
2220886	1-37, 1-38, 5-13, 5- 23	2400065	..... 7-37, 7-55, 9-1	2720565	..... 2-66, 2-72	2753346	..... 6-11, 6-17
2220888	..... 1-37	2400066	7-37, 7-46, 7-55, 7- 63	2720566	..... 2-66, 2-72	2753347	..... 6-11, 6-13, 6-15
2220890	..... 5-5	2400070	..... 7-46, 7-63, 9-2	2720567	..... 2-66, 2-72	2753348	..... 6-28, 6-31, 6-35
2220899	..... 6-27, 6-31, 6-35	2400093	..... 7-43, 7-60	2720615	..... 2-41, 2-103	2753349	..... 6-28, 6-32, 6-36
2220919	..... 6-5, 6-7	2410014	..... 4-7	2750532	2-25, 2-27, 2-33, 2- 35, 2-42, 2-52, 2-55, 2-68, 2-74, 2-82, 2-85, 2-92, 2-95, 2-104	2753350	..... 6-28, 6-32, 6-36
2220947	..... 2-115, 6-27	2420172	..... 2-134, 2-137	2750888	..... 6-5, 6-7	2753351	..... 6-28, 6-32, 6-36
2220948	..... 6-31, 6-35	2420191	..... 2-125	2751013	..... 6-3, 6-7	2753352	..... 6-27, 6-31, 6-35
2220949	..... 6-31, 6-35	2420197	..... 4-12	2751015	..... 6-7	2753353	..... 6-27, 6-31, 6-35
2221018	..... 2-121	2420203	2-48, 2-62, 2-77, 2- 110	2751095	..... 2-12	2753354	..... 6-27, 6-32, 6-35
2221019	..... 2-121	2460013	... 2-47, 2-61, 2-109	2752430	..... 6-28, 6-32, 6-36	2753355	..... 6-28, 6-32, 6-36
2221024	..... 2-121	2460049	..... 2-61, 2-109	2752433	..... 6-21, 6-32, 6-36	2753356	..... 6-28, 6-32, 6-36
2221034	..... 6-3	2460051	..... 2-77	2752437	..... 6-13, 6-15	2753357	..... 6-27, 6-32, 6-35
2221040	..... 6-3	2460052	..... 2-77	2752442	..... 6-11	2753358	..... 6-28, 6-32, 6-36
2221041	..... 2-115, 6-27	2460055	... 2-47, 2-61, 2-109	2752443	..... 6-18, 6-28, 6-31	2753359	..... 6-28, 6-32, 6-36
2221042	..... 6-27, 6-31, 6-35	2460056	..... 2-61	2752445	..... 6-5, 6-7	2753360	..... 6-28, 6-32, 6-36
2221043	..... 6-3	2460057	..... 2-61, 2-109	2752446	6-11, 6-13, 6-15, 6- 17, 6-21, 6-25	2753368	..... 6-28, 6-32, 6-36
2221044	..... 6-27, 6-31, 6-35	2540035	..... 2-145, 2-149	2752469	..... 6-3	2753369	..... 6-28, 6-31, 6-35
2221045	2-24, 2-32, 2-43, 2- 54, 2-67, 2-73, 2-82, 2-92, 2- 105, 6-27, 6-31	2560136	..... 4-12	2752471	6-3, 6-7, 6-28, 6-31, 6-35	2753372	..... 6-28, 6-32, 6-36
		2560173	..... 4-5	2752487	..... 6-5, 6-7, 6-9	2753373	..... 6-28, 6-31, 6-35
		2570008	..... 5-19	2752492	6-13, 6-15, 6-21, 6- 25	2753416	6-15, 6-17, 6-21, 6- 25
		2580024	2-28, 2-35, 2-43, 2- 53, 2-86, 2-96, 2-105			2753417	..... 6-17
		2580050	2-28, 2-35, 2-43, 2- 53, 2-86, 2-96, 2-105			2753502	..... 6-28
		2580054	2-26, 2-34, 2-43, 2- 85, 2-94, 2-105			2753511	..... 6-28, 6-32, 6-36
						2753512	..... 6-28, 6-32, 6-36
						2753513	..... 6-28, 6-32, 6-36
						2753514	..... 6-28, 6-32, 6-36
						2753515	..... 6-28, 6-32, 6-36
						2753516	..... 6-28, 6-32, 6-36
						2753517	..... 6-28, 6-32, 6-36
						2754229	6-11, 6-13, 6-15, 6-

# SECTION 11 PARTS NUMBER INDEX

Part Number	Page	Part Number	Page	Part Number	Page	Part Number	Page
	18, 6-21, 6-25	2920214	2-141	3300220	2-25, 2-33, 2-83		2-104
2760105	2-134, 2-137	2920215	2-141	3300243	3-8, 3-13	3312008	1-5, 1-11, 1-17, 1-22
2760109	4-12	2940073	2-133, 2-137	3300255	1-49	3322201	1-5, 1-11, 1-17, 2-131
2780221	1-49, 1-50	2940074	4-3, 9-1	3300353	4-12	3323003	1-5, 1-11
2780230	1-5, 1-6, 1-11, 1-12	2940117	2-145, 2-149	3300408	2-134, 2-137	3340399	2-25, 2-27, 2-33, 2-35, 2-40, 2-42, 2-52, 2-56, 2-66, 2-68, 2-72, 2-74, 2-83, 2-85, 2-93, 2-95, 2-102, 2-104
2780247	2-11, 2-15	3020016	2-43, 2-87, 2-96, 2-105, 10-5	3300441	2-145, 2-149		
2780267	1-25, 1-29	3020021	2-57	3310805	2-121, 2-135, 2-139		
2780268	1-25, 1-29	3020029	1-17, 1-21	3311001	4-12, 4-14		
2792385	6-11, 6-38	3020040	10-5	3311005	2-25, 2-48, 2-62, 2-78, 2-83, 2-110, 2-122, 2-141, 2-142		
2792386	6-17, 6-38	3020043	5-19				
2792387	6-39	3020044	2-26, 2-34, 2-43, 2-57, 2-87, 2-96, 2-105, 10-5	3311401	2-134, 4-9	3340453	3-4
2792398	6-3, 6-38			3311405	2-3, 2-25, 2-27, 2-33, 2-35, 2-40, 2-42, 2-52, 2-55, 2-66, 2-68, 2-72, 2-74, 2-78, 2-83, 2-85, 2-93, 2-95, 2-102, 2-104, 2-135, 2-139, 2-145, 2-149, 4-5, 8-4, 8-11, 8-16	3340608	5-23
2792432	6-39	3160266	1-25, 1-33			3340853	3-3
2792455	6-3, 6-38	3160280	2-11, 2-17			3340867	3-7, 3-11
2792598	6-39	3160298	1-25, 1-33			3340868	3-7, 3-11
2792704	6-27, 6-38	3160348	1-25, 1-37			3340869	3-7, 3-11
2792705	6-27, 6-38	3160351	1-25, 1-37			3340870	3-7, 3-8, 3-11
2820018	7-39, 7-40	3200378	2-25, 2-33, 2-40, 2-83, 2-93, 2-102			3340897	3-5
2820031	2-48, 2-63, 2-78, 2-111	3200406	2-55, 2-68, 2-74			3340898	1-41
2820035	2-142, 4-5	3220110	2-55	3311501	2-27, 2-35, 2-42, 2-52, 2-66, 2-72, 2-84, 2-85, 2-95, 2-104, 2-145, 2-150, 4-9	3340911	1-45
2820099	2-146, 2-151	3220112	2-55			3340942	3-5
2820128	2-146	3220113	2-25, 2-33, 2-40, 2-83, 2-93, 2-102			3380434	4-5
2820129	2-146, 2-150	3220154	2-25, 2-83, 2-102			3380569	2-146, 2-149
2820181	2-146, 2-150	3250585	4-5			3380652	10-5
2820182	2-146, 2-150	3250872	1-53	3311505	1-41, 1-45, 2-3, 2-25, 2-33, 2-40, 2-55, 2-66, 2-68, 2-72, 2-74, 2-83, 2-93, 2-102, 2-145, 3-4	3380741	2-66, 2-72
2860030	2-134, 2-138, 9-1	3251102	2-48, 2-63, 2-78, 2-111, 4-14			3420352	1-53
2900733	2-17	3251242	8-16			3420372	1-53
2900756	1-45, 1-46	3251243	2-78, 8-4, 8-11			3421565	2-12
2900770	5-3	3251813	8-3, 8-11			3422457	3-7, 3-11
2900792	5-7, 5-9, 5-11, 5-13	3252221	8-12	3311601	2-121, 2-125, 2-143, 2-145, 2-150, 3-3, 3-4, 4-12	3422457	3-7, 3-11
2900804	1-50	3252347	8-4			3422561	3-3, 3-11
2901301	5-7, 5-15	3252507	7-43, 7-60			3422564	3-3
2901303	5-11	3252672	8-4			3422566	3-3
2901443	7-47, 7-64, 10-8	3252680	8-12			3422582	3-7
2901548	5-3	3252681	8-12			3422592	1-3, 1-4, 1-9, 1-10, 1-15, 1-16, 1-21
2901841	5-13	3252682	8-12	3311605	1-41, 2-25, 2-27, 2-33, 2-35, 2-40, 2-42, 2-48, 2-52, 2-56, 2-62, 2-66, 2-68, 2-72, 2-74, 2-83, 2-85, 2-93, 2-95, 2-102, 2-104, 2-122, 2-145, 3-3, 3-12, 4-5, 4-7	3422692	1-5, 1-11
2901861	5-23	3252683	8-12			3422786	1-49
2901880	2-25, 2-33, 2-53, 2-83, 2-93, 7-38	3252684	8-12			3422848	1-11
		3252685	8-12			3422851	3-3
2902266	5-5	3271805	1-49, 4-7			3422859	3-7, 3-11
2902393	7-2	3272201	1-4, 1-9, 1-16			3422860	3-12
2902400	1-17	3272205	1-11			3422861	3-12
2902409	5-19	3290405	2-66, 2-72			3422865	3-7
2902443	7-37, 7-54	3290501	2-28, 2-35, 2-86, 2-96	3311608	3-4	3422867	3-12
2902511	2-67, 2-73, 7-38			3311705	2-48, 2-62, 2-110	3422936	1-4, 1-9, 1-16
2902549	7-43, 7-44, 7-60, 7-61	3290505	2-62, 2-66, 2-72, 2-110	3311801	1-25, 1-53, 2-129	3423081	1-17, 1-22
		3290601	2-28, 2-35, 2-86, 2-96	3311805	2-25, 2-33, 2-40, 2-56, 2-68, 2-74, 2-83, 2-93, 2-102, 2-122, 2-131, 3-8, 3-13	3450608	1-6, 1-12
2910865	4-12					3450808	1-5, 1-11
2920028	4-14	3290605	2-84, 2-94			3460375	2-146, 2-150
2920029	4-14	3290606	4-3			3470003	4-13
2920110	2-141	3290801	2-84, 2-94			3480188	5-7, 5-15
2920113	2-141	3300106	1-25			3480210	5-11
2920129	4-12, 7-37, 7-55	3300151	4-3			3480253	5-13
2920130	2-141					3480274	5-23
2920140	4-5, 7-46, 7-63					3480288	5-5
2920157	2-141, 4-5, 7-46, 7-63					3510822	4-3
						3510830	4-3
2920162	2-48, 2-110						



# SECTION 11 PARTS NUMBER INDEX

Part Number	Page	Part Number	Page	Part Number	Page	Part Number	Page
3510831	4-3	3580325	2-78	3841340	3-3	4060803	2-126
3510833	4-3	3580348	2-78	3841367	1-41, 3-5	4060805	2-145, 2-150, 3-5
3510884	4-7	3600279	2-25, 2-56, 2-68, 2-117	3841442	1-5, 1-11, 1-17	4060808	3-5
3520028	2-48, 2-62, 2-77, 2-110	3600368	2-29, 2-37, 2-44, 2-59, 2-69, 2-75, 2-87, 2-96, 2-106	3841517	1-5, 1-11, 1-17	4060906	2-134, 2-138
3520034	3-12	3600385	2-113, 2-115	3841520	1-5, 1-9, 1-16, 1-22	4060907	2-141
3520054	4-12	3600404	2-25, 2-33, 2-43, 2-54, 2-67, 2-73, 2-86, 2-96, 2-105, 2-115	3841619	1-11, 1-12	4060919	3-5
3520072	4-3, 4-7	3600405	2-25, 2-29, 2-33, 2-37, 2-43, 2-44, 2-54, 2-59, 2-67, 2-69, 2-73, 2-75, 2-87, 2-96, 2-105, 2-106	3900054	4-7	4060995	3-7, 3-11
3520189	7-46, 7-62	3600423	2-25, 2-33, 2-43, 2-56, 2-68, 2-73, 2-83, 2-93, 2-105, 2-117	3900109	1-6, 1-11, 1-17	4061010	2-146
3520198	4-3	3620033	2-56	3900232	2-145, 2-150	4061012	2-122
3536089	4-5	3620040	2-68, 2-74	3900255	1-22, 2-27, 2-35, 2-42, 2-52, 2-66, 2-72, 2-86, 2-95, 2-104	4061043	7-45, 7-62
3539275	2-134, 2-137	3620046	2-25, 2-83	3900283	3-4	4070450	1-53
3539662	1-53	3641569	4-9	3900295	1-11	4070497	2-26, 2-27, 2-33, 2-35, 2-41, 2-42, 2-52, 2-56, 2-67, 2-68, 2-72, 2-74, 2-83, 2-86, 2-93, 2-95, 2-103, 2-104, 3-7, 3-11
3570808	2-56, 2-68, 2-74	3730125	7-36, 7-54	3900296	1-11	4070498	2-26, 2-27, 2-33, 2-35, 2-41, 2-42, 2-52, 2-56, 2-67, 2-68, 2-72, 2-74, 2-83, 2-86, 2-93, 2-95, 2-103, 2-104, 3-7, 3-11
3571019	2-25, 2-68, 2-74, 2-83	3740049	2-134, 2-137, 7-2, 7-46, 7-63, 9-1	3900327	1-11	4070501	3-7, 3-11
3571692	2-25, 2-56, 2-68, 2-74, 2-83	3740067	2-25, 2-33, 2-41, 2-56, 2-68, 2-74, 2-83, 2-93, 2-103, 9-1	3910804	2-134, 2-137	4070502	3-7, 3-11
3571795	5-23	3740080	2-25, 2-32, 2-48, 2-62, 2-78, 2-83, 2-94, 2-110, 9-2	3910808	2-121	4070503	3-7, 3-11
3571818	1-49	3760133	3-7, 3-11	3911040	2-141	4070504	3-7, 3-11
3571833	1-49	3760170	1-53, 2-12	3930816	2-142	4070560	1-53
3572032	1-49, 1-50	3760367	5-3	3931028	2-142	4070561	1-53
3572041	2-11	3760368	5-11	3931448	5-23	4070929	3-7, 3-11
3572165	3-5	3760369	5-7, 5-15	3931516	5-3, 5-11, 5-23	4070972	1-15
3572200	3-4	3760371	5-13	3931616	2-53	4070973	1-3, 1-10, 1-15
3572345	3-4	3780182	1-17, 1-22	3931620	5-7, 5-15	4070987	2-134, 2-138
3572502	2-25, 2-33, 2-40, 2-68, 2-74, 2-83, 2-93, 2-102	3790012	2-66, 2-72, 2-135, 2-138, 2-141, 4-12, 4-13, 4-14	3931824	5-13	4071002	1-3, 1-10, 1-15
3572503	2-25, 2-33, 2-40, 2-68, 2-74, 2-83, 2-93, 2-102	3790045	1-25	3932224	2-11	4071007	3-8, 3-11
3572504	2-27, 2-35, 2-42, 2-66, 2-72, 2-85, 2-95, 2-104	3790152	2-26, 2-33, 2-43, 2-54, 2-67, 2-73, 2-87, 2-96, 2-105	3960389	2-26, 2-27, 2-33, 2-35, 2-42, 2-66, 2-67, 2-72, 2-73, 2-83, 2-86, 2-93, 2-95, 2-104, 2-145, 2-150	4071009	2-11
3572506	1-53	3820001	1-53, 8-4, 8-11, 8-16	3960407	2-56	4071101	1-21
3572827	2-134	3820020	4-3	3960422	7-42, 7-45, 7-59, 7-62	4071119	1-15
3573667	2-25, 2-33, 2-41, 2-56, 2-68, 2-74, 2-83, 2-93, 2-103	3841143	1-11, 3-3, 3-7, 3-11, 3-12	3960438	2-41, 2-103, 2-135, 2-139	4071121	1-3, 1-10, 1-15, 1-21
3574091	4-9	3841203	1-49	3960461	2-141	4100025	2-26, 2-34, 2-41, 2-85, 2-94, 2-103
3574210	1-41, 1-45	3841258	1-3, 1-4, 1-9, 1-10, 1-15, 1-16, 1-21,	3960469	2-27, 2-35, 2-42, 2-66, 2-72, 2-86, 2-95, 2-104	4100099	5-13
3574235	1-11			3960526	1-25	4100100	5-11
3574253	2-25, 2-33, 2-41, 2-83, 2-93, 2-103			3980007	2-28, 2-35, 2-43, 2-53, 2-86, 2-96, 2-105	4120035	7-33, 7-35, 7-50, 7-53
3574254	1-42			3990001	7-36	4130405	1-17, 1-22
3574259	2-25, 2-33, 2-41, 2-83, 2-93, 2-103			3990010	7-35, 7-52, 9-1	4130406	1-17, 1-22
3574264	2-25, 2-83			4010618	4-4	4160182	2-145, 2-150
3574282	2-84, 2-93			4031608	2-62, 2-110	4240018	2-78
3575359	4-9			4031711	2-32, 2-41, 2-92, 2-103	4240032	2-141
3576939	1-50			4060092	7-41, 7-58	4240099	4-5, 4-9
3580134	2-48, 2-62, 2-110			4060700	7-41, 7-45, 7-58, 7-62	4240135	2-125
3580158	2-62, 2-110			4060802	2-48, 2-63, 2-78, 2-111, 4-5, 4-14	4280295	2-125
3580276	2-48, 2-110					4300048	1-53
3580312	2-78					4360031	4-4
3580315	2-48					4360057	4-9, 9-2
3580324	2-78					4360232	4-14, 7-47, 7-63, 9-2

## SECTION 11 PARTS NUMBER INDEX

Part Number	Page	Part Number	Page	Part Number	Page	Part Number	Page
4360294	.....2-62, 9-1		7-64	4460473	.....7-34, 7-52	4460891	.....7-37
4360328	2-134, 2-138, 4-12, 4-14, 9-1	4460227	7-32, 7-33, 7-35, 7- 40, 7-47, 7-50, 7-51, 7-52, 7-53, 7-57, 7-63	4460488	.....4-12	4460892	.....7-37, 7-55
4360330	.....4-12, 9-1			4460496	.....2-138	4460894	.....7-37, 7-55
4360331	.....4-12, 9-1			4460497	.....2-138	4460897	.....7-39
4360336	2-48, 2-63, 2-67, 2- 72, 2-78, 2-111, 2-141, 4-5, 4-13, 4-14, 9-1, 9-2	4460233	.....7-42, 7-58	4460499	.....2-9, 7-38, 7-55	4460899	.....7-54
4360387	4-9, 4-12, 4-14, 9-1	4460234	.....2-134, 2-138, 2- 141, 4-9, 4-12	4460508	7-32, 7-35, 7-50, 7- 53	4460905	2-134, 4-12, 7-32, 7- 34, 7-35, 7-50, 7-52, 7-53
4360407	.....4-12, 9-1	4460267	7-34, 7-38, 7-46, 7- 52, 7-55, 7-63	4460509	.....7-34, 7-52	4460906	.....2-78, 7-44, 7-61
4360469	...2-134, 2-138, 9-2	4460268	2-142, 7-33, 7-34, 7- 36, 7-39, 7-51, 7-52, 7-53, 7-56	4460510	...7-47, 7-64, 10-8	4460943	.....7-35, 7-52, 7-53
4360470	...2-134, 2-138, 9-2			4460526	2-134, 2-138, 7-34, 7-52	4460944	.....7-36, 7-53, 7-54
4360475	2-134, 2-138, 4-12, 9-1	4460315	.....7-42, 7-59	4460536	...7-35, 7-40, 7-52	4460956	.....7-43, 7-60
4360476	2-134, 2-138, 4-12, 9-1	4460320	7-34, 7-40, 7-46, 7- 47, 7-52, 7-57, 7-63	4460539	7-36, 7-37, 7-38, 7- 54	4460957	.....7-43, 7-60
4360517	2-131, 7-40, 7-57, 9- 1	4460321	7-44, 7-47, 7-61, 7- 64	4460598	.....4-5, 4-14	4460958	.....7-45, 7-62
4360522	.....2-141, 4-14, 9-2	4460326	.....7-38, 7-55	4460608	.....7-37, 7-54	4460961	.....7-45, 7-61
4360542	2-47, 2-62, 2-77, 2- 110	4460346	7-41, 7-45, 7-58, 7- 62	4460633	.....7-43	4460963	.....7-46, 7-62
4360548	2-142, 7-39, 7-56, 9- 2	4460374	7-37, 7-44, 7-46, 7- 63	4460634	...7-33, 7-35, 7-53	4460967	.....7-46, 7-63
4360549	.....7-39, 7-56, 9-2	4460375	7-37, 7-44, 7-46, 7- 61, 7-63	4460635	7-33, 7-35, 7-51, 7- 53	4460968	2-62, 2-110, 2-143, 7-39, 7-42, 7-56, 7-59
4360578	2-142, 7-39, 7-56, 9- 2	4460418	7-33, 7-35, 7-50, 7- 53	4460662	.....7-42, 7-59	4460979	.....7-36, 7-54
4400275	.....2-121	4460419	7-33, 7-35, 7-50, 7- 53	4460693	.....7-36, 7-54	4460993	.....7-37
4400420	.....2-121	4460424	2-142, 7-36, 7-37, 7- 39, 7-47, 7-53, 7-56, 7-63	4460705	.....7-45, 7-61	4460994	.....7-37
4400429	.....2-125			4460708	4-12, 7-32, 7-37, 7- 50, 7-55	4461005	7-36, 7-38, 7-54, 7- 55
4400450	.....2-125, 2-126	4460425	..4-9, 7-46, 7-47, 7- 62, 7-63	4460742	7-36, 7-44, 7-46, 7- 54, 7-61, 7-63	4461006	7-36, 7-38, 7-54, 7- 56
4420037	.....4-5	4460426	.....7-46, 7-62, 7-63	4460743	7-44, 7-46, 7-61, 7- 63	4461008	7-36, 7-38, 7-54, 7- 56
4420038	.....2-125	4460428	2-134, 2-138, 4-12, 7-32, 7-34, 7-50, 7-52	4460761	7-32, 7-35, 7-50, 7- 53	4461052	7-36, 7-38, 7-54, 7- 55
4420051	.....1-53, 8-16			4460834	.....7-37, 7-54	4461053	7-36, 7-38, 7-54, 7- 55
4420060	..2-62, 2-110, 2-142	4460429	.....7-46, 7-62, 7-63	4460836	.....7-34, 7-52	4461054	7-36, 7-38, 7-54, 7- 56
4420068	.....4-9	4460434	7-33, 7-35, 7-51, 7- 52	4460837	.....7-34, 7-52	4461060	7-36, 7-38, 7-54, 7- 56
4460007	.....4-12	4460445	.....7-34, 7-52	4460842	.....7-37, 7-54	4461070	.....7-36, 7-53
4460023	.....2-48	4460457	.....7-36, 7-54	4460865	.....7-34, 7-52	4461071	.....7-37, 7-54
4460027	2-47, 2-62, 2-77, 2- 110	4460458	7-36, 7-44, 7-46, 7- 54, 7-61, 7-63	4460866	7-32, 7-35, 7-50, 7- 53	4461072	.....7-37, 7-54
4460049	.....4-9	4460464	..4-4, 7-32, 7-35, 7- 39, 7-40, 7-50, 7-53, 7-54	4460871	4-17, 4-18, 4-21, 4- 22, 7-32, 7-34, 7-35, 7-36, 7-40, 7-47, 7-50, 7-52, 7-53, 7-54, 7-55, 7-57, 7-64	4461073	.....7-37, 7-54
4460051	.....7-45, 7-62	4460465	7-34, 7-36, 7-37, 7- 46, 7-52, 7-63	4460873	7-32, 7-35, 7-50, 7- 52	4461074	.....7-37, 7-54
4460071	..4-4, 7-32, 7-42, 7- 45, 7-50, 7-59, 7-62	4460466	7-34, 7-52, 7-54, 7- 55	4460874	2-134, 7-32, 7-34, 7- 50, 7-53	4461095	.....7-36, 7-53
4460121	.....2-32, 2-94	4460467	.....7-47, 7-64, 10-8	4460875	2-134, 7-32, 7-34, 7- 50, 7-53	4461109	.....7-37, 7-54
4460125	.....7-41, 7-58	4460470	2-134, 2-138, 4-12, 7-32, 7-34, 7-50, 7-52	4460876	.....7-35, 7-53	4461110	.....7-39
4460190	2-47, 2-62, 2-77, 2- 110	4460471	2-134, 2-138, 4-12, 7-32, 7-34, 7-50, 7-52	4460878	.....7-35, 7-53	4461111	.....7-37, 7-54
4460205	.....7-42, 7-58			4460879	.....7-32, 7-50	4461112	.....7-39
4460224	.....7-40, 7-57			4460880	7-34, 7-36, 7-52, 7- 53	4461113	.....7-37, 7-39, 7-54
4460225	7-33, 7-45, 7-51, 7- 62			4460887	7-32, 7-35, 7-50, 7- 53	4461121	.....7-36, 7-54
4460226	..4-5, 7-32, 7-33, 7- 37, 7-39, 7-40, 7-44, 7-45, 7-47, 7-50, 7-51, 7-53, 7-55, 7-56, 7-57, 7-61, 7-62, 7-63,			4460889	.....7-36	4461122	.....7-36, 7-54
				4460890	.....7-36	4461123	.....7-36, 7-54
						4461124	.....7-36, 7-54
						4461157	.....7-36, 7-54
						4461161	.....7-36, 7-54
						4461196	.....7-42, 7-59
						4461197	.....7-42, 7-59
						4461198	.....7-41, 7-58
						4461199	.....7-42, 7-59
						4461200	.....7-42, 7-59

# SECTION 11 PARTS NUMBER INDEX

Part Number	Page	Part Number	Page	Part Number	Page	Part Number	Page
4461201	7-41, 7-58	4641510	1-46	138, 2-139, 2-		4811900	2-78
4461202	7-42, 7-59	4711400	1-4, 1-9, 1-16, 1-49, 2-32, 2-35, 2-41, 2-42, 2-52, 2-56, 2-67, 2-69, 2-72, 2-74, 2-78, 2-86, 2-92, 2-96, 2-103, 2-104, 2-142, 4-4, 4-5	143, 2-145, 2-150, 3-7, 3-11, 4-5, 4-9, 4-12, 8-4, 8-11, 8-16		4812200	2-56
4461203	7-42, 7-59			4751500	1-41, 1-46, 2-3, 2-26, 2-27, 2-34, 2-35, 2-41, 2-48, 2-52, 2-56, 2-62, 2-67, 2-69, 2-74, 2-78, 2-83, 2-86, 2-93, 2-95, 2-103, 2-104, 2-110, 2-146, 2-150, 3-4, 4-9	4821397	4-9
4461204	7-41, 7-58					4831900	2-57, 2-69, 2-74, 2-84, 2-94
4461205	7-42, 7-59	4711500	1-53, 2-26, 2-33, 2-41, 2-41, 2-67, 2-72, 2-83, 2-93, 2-103, 4-13			4844815	3-12
4461206	7-42, 7-59					4844816	3-12
4461207	7-41, 7-58					4844817	3-12
4461222	7-37, 7-54					4844958	2-12
4461244	7-41, 7-58					4845395	2-56
4461245	7-41, 7-58	4711600	2-26, 2-33, 2-41, 2-69, 2-74, 2-83, 2-93, 2-103, 2-143, 3-3, 3-4, 3-7			4846070	1-17
4461246	7-41, 7-58					4846092	2-146, 2-150
4461249	7-42, 7-59					4846095	2-146, 2-150
4461250	7-42, 7-59					4846096	2-27, 2-53, 2-66, 2-86
4520212	1-27					4846100	2-146, 2-150
4520216	1-27					4846110	2-146, 2-150
4520224	1-50					4846111	2-146, 2-150
4520234	1-50					4846112	1-49
4520240	1-27					4846113	1-49
4520259	1-27	4711700	2-78			4846186	3-4
4520266	1-27	4711800	2-131			4846216	3-4
4566425	5-23	4712400	1-11			4846310	2-122
4566468	5-7, 5-15	4713000	1-6, 1-11			4846393	1-50
4567139	6-27, 6-31, 6-35	4740076	2-141			4846394	1-50
4567462	1-4, 1-9, 1-16	4740086	1-6, 1-11, 1-17, 1-22			4846426	1-10
4567495	2-56	4740120	2-146, 2-150			4846452	4-3
4568735	2-78	4740155	1-11			4846506	10-5
4568743	2-26, 2-33, 2-41, 2-83, 2-93, 2-103	4740158	1-3, 1-4, 1-9, 1-10, 1-15, 1-16, 1-21			4846550	1-15, 1-16
4569176	2-26, 2-32, 2-41, 2-83, 2-92, 2-103	4740229	1-21			4846551	1-3, 1-5
4569342	2-69, 2-74	4740274	2-26, 2-33, 2-41, 2-56, 2-69, 2-74, 2-83, 2-93, 2-103, 2-141			4846561	4-5
4569345	2-69, 2-74					4846567	2-56, 2-62
4640113	1-27, 1-50					4846573	3-8, 3-13
4640261	1-53	4740362	2-141, 2-145, 2-150, 4-5			4846673	4-9
4640509	5-7, 5-9, 5-11, 5-13	4740397	2-63, 2-78, 2-111, 4-14			4846801	1-9
4640744	2-29, 2-37, 2-44, 2-59, 2-69, 2-75, 2-87, 2-96, 2-106, 6-27	4740439	3-12			4846802	1-11
4640751	2-56, 2-93	4740491	1-11			4846809	2-56, 2-69, 2-74
4640858	5-3, 5-5	4740500	2-146, 2-150			4846821	2-26, 2-34, 2-41, 2-84, 2-94, 2-103
4640871	1-4, 1-9, 1-16	4740537	1-17			4846852	2-26, 2-34, 2-41, 2-84, 2-94, 2-103
4640921	2-3, 2-9	4740538	1-17			4860198	1-27
4640932	5-7, 5-9	4740539	1-17			4860213	1-27
4640952	2-69, 2-74	4740540	1-17			4860214	1-27
4641033	5-23	4740546	2-141			4860215	1-50
4641108	2-3	4750800	2-121, 2-135, 2-139			4860218	1-50
4641144	5-13	4751000	2-26, 2-48, 2-62, 2-78, 2-83, 2-111, 2-122, 2-125, 2-134, 2-138, 2-141			4891500	2-33, 2-41, 2-92, 2-103
4641162	5-3					4891600	2-26, 2-34, 2-41, 2-43, 2-54, 2-67, 2-73, 2-78, 2-84, 2-87, 2-94, 2-96, 2-103, 2-105, 2-121, 3-8, 3-13
4641207	1-41					4891800	1-5, 1-10, 1-16, 1-21, 1-22, 1-25, 1-49, 2-11, 3-8, 3-13
4641208	1-41					4892000	1-25, 2-11, 2-12
4641272	2-26, 2-33, 2-45, 2-83, 2-93	4751400	2-3, 2-26, 2-27, 2-34, 2-35, 2-41, 2-42, 2-52, 2-56, 2-67, 2-69, 2-72, 2-74, 2-83, 2-86, 2-93, 2-95, 2-103, 2-104, 2-134, 2-135, 2-				
4641282	6-11, 6-18, 6-28, 6-31, 6-35						
4641317	2-3						
4641390	5-5						
4641499	2-3, 2-5						
4641509	1-45						

## SECTION 11 PARTS NUMBER INDEX

Part Number	Page	Part Number	Page	Part Number	Page	Part Number	Page
4892200	.....1-5, 1-10, 1-16	6000394	..... 2-146, 2-151	70001399	2-87, 2-97, 2-106	70002101	.2-88, 2-98, 2-106
4892600	.....3-8, 3-13	70000122	..... 2-61, 2-109	70001400	.....2-87, 2-97	70002102	.2-88, 2-98, 2-106
4920385	.....2-69, 2-74	70000123	2-47, 2-61, 2-77, 2-109	70001401	2-87, 2-97, 2-106	70002103	.2-88, 2-98, 2-106
4921927	.....2-3, 7-38, 7-55	70000124	2-47, 2-62, 2-77, 2-110	70001402	.....2-87, 2-97	70002104	..... 2-88, 2-98
4922012	..... 10-8	70000125	2-47, 2-62, 2-77, 2-110	70001403	2-28, 2-36, 2-44, 2-87, 2-97, 2-106, 9-1	70002105	..... 2-87, 2-97
4922538	2-134, 2-138, 7-34, 7-52	70000126	2-48, 2-62, 2-77, 2-110	70001404	2-87, 2-97, 2-106	70002106	..... 2-87, 2-97
4922547	.....7-34, 7-51	70000127	..... 2-62, 2-77	70001405	2-87, 2-97, 2-106	70002107	..... 2-84
4922548	.....7-34, 7-51	70000164	..... 2-74	70001406	2-87, 2-97, 2-106	70002108	.2-88, 2-98, 2-107
4922636	.....7-37, 7-55	70000264	..... 2-59	70001407	2-87, 2-97, 2-106	70002109	..... 2-88, 2-97
4922637	.....7-37, 7-55	70000342	..... 3-15	70001408	.....2-88, 2-97	7000217	..... 2-15, 2-20
4922641	7-44, 7-46, 7-61, 7-63	70000345	..... 2-59, 7-38	70001409	.....2-88, 2-97	70002200	..... 2-58
4922643	.....7-46, 7-63	70000544	..... 2-29, 2-36	70001410	.....2-88, 2-97	70002224	..... 5-9, 5-17
4922665	.....4-12, 7-2, 7-32	70000781	..... 1-46	70001411	2-88, 2-97, 2-107	70002234	..... 2-88, 2-97
4922666	.....4-12, 7-32, 7-50	70000782	..... 2-20	70001412	2-88, 2-97, 2-106	70002235	..... 2-47, 2-110
4922714	...2-143, 7-39, 7-56	70000797	..... 1-37	70001413	2-88, 2-97, 2-106	70002257	..... 2-114
4922737	2-26, 2-34, 2-84, 2-94	70000800	..... 2-59	70001414	2-88, 2-97, 2-106	7000228	..... 2-15, 2-20
4922757	..... 7-46	70000912	..... 2-57	70001415	.....2-88, 2-97	7000229	..... 1-29, 2-15, 2-20
4922764	..... 7-47, 7-63	70000913	..... 2-57	70001416	2-88, 2-97, 2-106	7000230	..... 1-29, 2-15, 2-20
4922769	...2-143, 7-39, 7-56	70000914	..... 2-57	70001417	2-88, 2-97, 2-106	7000232	..... 1-29
4922802	.....7-33, 7-51	70000915	..... 2-57	70001418	2-88, 2-97, 2-106	70002377	2-35, 2-43, 2-86, 2-96, 2-105, 9-1
4922803	.....7-33, 7-51	70000916	..... 2-58	70001419	2-88, 2-97, 2-107	70002378	2-35, 2-43, 2-86, 2-96, 2-105
4922925	.....7-45, 7-62	70000917	..... 2-58	70001423	..... 2-57	70002390	..... 1-45
4922965	.....4-5, 7-46, 7-63	70000918	..... 2-58	70001435	..... 2-58	70002433	..... 2-88, 2-98
4922970	.....7-44, 7-61	70000919	..... 2-58	70001695	.....2-28, 2-36	70002436	..... 2-106
4923260	...2-134, 7-34, 7-36	70000969	..... 2-117	70001697	..... 3-15	70002437	..... 2-106
4923261	.....2-134, 7-35	70000970	..... 2-117	70001792	..... 2-88, 2-97	70002438	..... 2-106
4923356	...2-134, 7-34, 7-36	70000971	..... 2-117	70001793	.....2-88, 2-97	70002439	..... 2-106
4923419	...2-134, 7-35, 7-36	70000972	..... 2-117	70001794	.....2-88, 2-97	70002440	..... 2-106
4923420	.....7-46, 7-63	70000973	..... 2-117	70001796	.....2-88, 2-97	70002441	..... 2-106
4923445	..... 7-44	70000974	..... 2-117	70001844	..... 2-55	70002442	..... 2-106
4923451	.....2-56, 7-38	70000975	..... 2-118	70001850	..... 2-57	70002443	..... 2-106
4923456	.....2-134, 7-35	70000976	..... 2-117	70001863	..... 2-126	70002444	..... 2-106
4923462	.....7-34, 7-52	70000977	..... 2-117, 2-118	70001866	..... 2-58	70002445	..... 2-106
4923580	...2-134, 7-34, 7-36	70000978	..... 2-117	70001868	..... 2-58	70002446	..... 2-106
4923583	.2-134, 2-135, 7-35	70001002	..... 2-57	70001871	..... 2-58	70002447	..... 2-106
4923591	..... 7-37	70001017	2-25, 2-33, 2-40, 2-83, 2-93, 2-102	70001872	..... 2-59	70002448	..... 2-107
4933025	..... 7-2	70001103	..... 2-125	70001941	..... 2-141	70002449	..... 2-107
4933026	..... 7-2	70001180	..... 2-29, 2-36	70001959	..... 2-126	70002450	..... 2-107, 9-1
4933217	..... 7-2	70001248	..... 2-131	70001960	.....2-126, 9-1	70002451	..... 2-107, 9-2
4933218	.....7-47, 7-64	70001256	..... 2-5	70001976	..... 2-5	70002452	..... 2-107
4933219	..... 7-2	70001257	..... 2-29, 2-36	70001990	.....2-29, 2-36	70002453	..... 2-107
4933237	..... 7-3	70001349	..... 1-29	70001994	..... 3-4	70002454	..... 2-107
4933240	..... 7-3	70001386	..... 2-87, 2-97	7000206	..... 1-30	70002455	..... 2-107
4933264	..... 7-46	70001387	..... 2-87, 2-97	70002065	..... 2-20	70002456	..... 2-107
4933300	.....7-2, 7-44	70001388	.2-87, 2-97, 2-106	70002066	..... 2-20	70002457	..... 2-107
4933313	.....7-2, 7-47, 7-63	70001389	.2-87, 2-97, 2-106	70002067	..... 2-20	70002458	..... 2-107
4933325	.....7-2, 7-35, 7-37	70001390	.2-87, 2-97, 2-106	70002068	..... 2-20	70002459	..... 2-106
4933348	.....7-2, 7-35, 7-37	70001391	.2-87, 2-97, 2-106	70002070	..... 2-20	7000246	..... 1-29, 2-15, 2-20
4933349	.....7-46, 7-63	70001392	.2-87, 2-97, 2-106	70002071	..... 2-20	70002461	..... 2-88, 2-98
4933350	.....7-2, 7-44, 7-61	70001393	.2-87, 2-97, 2-106	70002072	..... 2-20	70002462	..... 2-88, 2-98
4933353	.....7-2, 7-35, 7-37	70001394	.2-87, 2-97, 2-106	70002073	..... 2-20	70002463	..... 2-88, 2-98
4933378	.....7-2, 7-35, 7-37	70001395	.2-87, 2-97, 2-107	70002074	..... 2-21	7000248	..... 1-29, 2-20
4933379	.....7-2, 7-35, 7-37	70001396	..... 2-87, 2-97	70002075	..... 2-21	7000253	..... 1-30, 2-15, 2-20
4933380	.....7-2, 7-35, 7-37	70001397	..... 2-87, 2-97	7000209	..... 2-15	7000255	..... 2-15, 2-20
5240600	.....2-84, 2-94	70001398	..... 2-87, 2-97	70002098	..... 2-88, 2-97	7000256	..... 2-15
5240800	.....2-84, 2-94			70002099	2-88, 2-98, 2-106	7000257	..... 1-29, 2-15, 2-20
				70002100	2-88, 2-98, 2-106	7000258	..... 1-29, 2-15

## SECTION 11 PARTS NUMBER INDEX

Part Number	Page	Part Number	Page	Part Number	Page	Part Number	Page
7000261	1-29	70003769	2-44	7003953	4-17	7012522	1-50
7000262	1-30	70003770	2-45	7003969	4-21	7012523	1-50
7000263	1-30, 2-20	70003783	2-55	7003972	4-22	7012524	1-50
7000269	2-15	70003784	4-12	7003973	4-22	7012540	2-5
7000270	2-15	70003791	2-44, 9-1	7003976	4-17	7012558	2-47, 2-61, 2-77, 2-109
70002704	2-88, 2-98	70003838	5-9, 5-17	7003977	4-17	7012664	2-24, 2-32, 2-40, 2-55, 2-68, 2-73, 2-82, 2-92, 2-102, 9-1
70002705	2-25, 2-33, 2-40, 2-83, 2-93, 2-102	70003839	5-9, 5-17	7003980	4-22	7012693	1-4, 1-9, 1-16
70002706	2-25, 2-33, 2-40, 2-83, 2-93, 2-102	70003848	5-9, 5-17	7003982	4-22	7012770	2-5, 2-9
70002718	2-58	70003856	5-9, 5-17	7003983	4-22	7012772	2-6, 2-9, 9-1
70002724	4-21	70003932	2-59	7003986	4-21	7012773	2-5, 2-6, 2-9
70002725	4-21	70003933	5-21	7003989	4-22	7012775	2-6
70002726	4-21	70003934	5-21	7003992	4-17, 4-21	7012776	2-9
70002727	4-21, 4-22	70004056	2-58	7003993	4-17, 4-21	7012777	2-9
70002728	4-21	70004057	2-58	7003994	4-21	7012914	2-5
70002729	4-22	70004058	2-58	7004035	2-21	7012918	2-5
70002730	4-17	70004059	2-58	7004043	2-21	7012941	2-3
70002731	4-17	70004060	2-58	7004044	2-21	7012943	2-3, 9-1
70002732	4-18	70004062	2-58	7004275	10-8	7012944	2-3, 2-5, 9-1
70002733	4-18	70004091	2-34	7004276	10-8	7012953	2-9
70002734	4-18	70004102	2-58	7006137	3-4	7012965	2-9
70002735	4-18	70004103	2-58	7006140	3-4	7012967	2-5, 5-13
70002768	2-126	70004128	5-9	7006151	3-4	7012974	2-3
7000281	2-15, 2-21	70004129	5-17	7006152	3-4	7012975	2-5
70002895	2-74, 9-1	70004136	5-9, 5-17	7007289	2-114	7012995	2-3
70002902	4-4	70004137	5-9	7007412	2-114	7012998	2-5, 2-9
70002903	4-4	70004138	5-9	7007419	2-113	7013187	2-129
70002904	4-4	70004139	5-17	7007437	1-34, 1-38	7013701	2-118
70002905	4-4	70004140	5-17	7007438	1-33, 1-37	7013711	2-117
70002906	4-18	7000625	4-4	7007439	1-33, 1-37	7013757	2-117
70003033	2-88, 2-98	7000663	2-58	7007446	1-33, 1-37	7013766	2-117
70003034	2-88, 2-98	7000731	1-30	7007470	2-113, 2-114	7013771	2-117
70003098	5-21	7000974	2-117	7007497	7-39, 7-56	7014900	2-17
70003099	5-21	7001481	2-114	7007498	7-39, 7-56	7016314	2-125
70003136	2-59	7001485	2-113	7007601	1-29	7016331	2-57, 9-1
70003454	2-131	7001909	2-20	7007633	2-15, 2-20	7016360	1-50
70003463	2-57	7001911	2-20	7007640	1-29	7016380	2-141
70003464	2-57	7001912	2-20	7007933	2-11	7016399	4-5
70003472	2-57	7001931	2-20	7007990	2-11	7016505	3-4
70003473	2-57	7001985	2-20	7009992	2-17	7016524	3-4
70003475	2-59	7001988	2-15	7009996	2-17	7016628	2-141
70003478	2-59	7001998	1-29	7009998	2-17	7016654	10-8
70003479	2-58	70020808	7-55	7010429	1-29	7016655	10-8
70003480	2-58	7002107	2-17	7010474	2-20	7016680	2-125
70003481	2-58	7002110	2-17	7010488	2-15	7016744	2-117
70003483	4-4	7002111	2-17	7010494	2-15	7016745	2-117
70003541	2-44	7002112	2-17	7010542	1-41, 2-5	7016746	2-117
70003758	2-44	7002117	2-17	7010543	1-41, 2-3, 2-5	7016768	2-117
70003759	2-44	7002125	2-17	7011016	2-117	7016769	2-117
70003760	2-44	7002821	7-47, 7-64, 10-8	7011044	2-117	7016808	2-67, 2-73, 7-38
70003761	2-45	7002822	10-8	7011067	2-117	7016820	2-25, 2-33, 2-54, 2-67, 2-73, 2-83, 2-93, 7-38
70003762	2-45	7002823	7-47, 7-64, 10-8	7011112	5-7, 5-9	7016834	2-25, 2-33, 2-54, 2-83, 2-93, 7-38
70003763	2-45	7002826	10-8	7012513	2-47, 2-61, 2-77, 2-109	7016835	2-25, 2-33, 2-54, 2-83, 2-93, 7-38
70003764	2-45	7002828	7-47, 7-64	7012514	2-47, 2-61, 2-77, 2-110		
70003765	2-45	7002840	1-9	7012518	2-3, 2-5		
70003766	2-45	7003928	4-17	7012519	1-50		
70003767	2-45	7003933	4-21	7012520	1-50		
70003768	2-44	7003935	4-21	7012521	1-50		
		7003941	4-21				
		7003946	4-21				

## SECTION 11 PARTS NUMBER INDEX

Part Number	Page	Part Number	Page	Part Number	Page	Part Number	Page
	83, 2-93, 7-38	7019149	4-17	7020352	2-17	7021625	1-41, 1-45, 1-46
7016843	2-25, 2-33, 2-53, 2-83, 2-93, 7-38	7019150	4-17	7020353	2-17	7021639	1-45, 1-46
7017023	2-21	7019151	4-21	7020357	2-17	7021647	2-5
7017028	2-21	7019154	4-21	7020359	2-17	7021648	2-5
7017064	2-15, 2-20	7019155	4-21	7020362	2-17	7021655	1-41, 1-46
7017065	2-15	7019160	4-21	7020408	2-58	7022302	1-33, 1-37
7017066	2-15	7019161	4-21	7020410	2-58	7022305	1-33, 1-37
7017067	1-30	7019162	4-21	7020411	2-58	7022310	1-33, 1-37
7017070	1-29, 2-20	7019164	4-22	7020430	2-58	7022311	1-33, 1-37
7017072	2-20	7019165	4-22	7020447	2-57	7022312	1-33, 1-37
7017080	1-30, 2-20	7019166	4-22	7020449	2-58	7022314	1-33, 1-37
7017081	2-21	7019167	4-22	7020455	2-55	7022318	1-33
7017082	2-21	7019168	4-21	7020459	2-59	7022321	1-33, 1-34
7017085	2-21	7019171	4-17	7020460	2-59	7022326	1-34, 1-38
7017090	1-29	7019174	4-17	7020464	2-58	7022328	1-33, 1-34, 1-37, 1-38
7017091	1-29	7019177	4-17	7020465	2-57		
7017092	1-29	7019194	4-22	7020468	2-57	7022340	2-113
7017093	1-29	7019196	4-22	7020471	2-58	7022341	2-113
7017094	1-29	7019197	4-17	7020479	2-58	7022342	2-113
7017095	1-29	7019656	2-25, 2-68, 2-74, 2-83	7020495	2-57	7022346	2-114
7017097	1-29	7019680	2-47, 2-62, 2-77, 2-110	7021237	2-113	7022347	2-114
7017142	3-15			7021238	2-113	7022367	1-33
7017158	3-15	7020020	2-3	7021239	2-113	7022368	1-33, 1-37
7017159	3-15	7020023	2-57, 9-1	7021240	2-113	7022370	1-33
7017162	3-15	7020026	2-57	7021242	2-113	7022371	1-34, 1-38
7017163	3-15	7020033	1-6, 1-12	7021243	2-113	7022372	1-33, 1-38
7017164	3-15	7020034	1-6, 1-12	7021248	2-113	7022377	2-113
7017172	3-15	7020035	1-6, 1-12	7021249	1-33, 1-37, 2-113	7022378	2-113
7017192	3-15	7020036	1-6, 1-12	7021250	2-113	7022380	2-113
7017195	3-15	7020037	1-6, 1-12	7021251	2-113	7022381	2-113
7017406	1-46	7020038	1-6, 1-12	7021255	2-113, 2-114	7022382	2-114
7017410	2-5	7020039	1-6, 1-12	7021257	2-113	7022385	2-114
7017411	2-5	7020040	1-6, 1-12	7021258	2-113	7022386	2-114
7017421	2-9	7020041	1-6, 1-12	7021259	2-113	7022387	2-114
7017422	2-5, 2-9	7020042	1-6, 1-12	7021260	2-113	7022397	1-41, 1-45, 1-46
7017427	2-5	7020043	2-125	7021263	2-113	7022399	1-41, 1-45, 1-46
7017428	2-5	7020054	1-6, 1-12	7021265	2-114	7022808	4-17
7017496	5-5	7020055	1-6, 1-12	7021268	2-114	7022812	4-21, 4-22
7018612	2-11	7020108	2-47, 2-61, 2-77, 2-110	7021269	2-114	7022814	4-17
7018900	2-6			7021270	2-114	7022815	4-17, 4-18
7018912	2-6, 2-9	7020109	2-47, 2-61, 2-77, 2-110	7021271	2-114	7022816	4-17
7018942	2-6, 2-9			7021272	2-114	7022817	4-17
7018945	2-9	7020110	2-47, 2-61, 2-77, 2-110	7021273	2-114	7022818	4-17
7018991	2-5, 2-6, 9-1			7021274	2-114	7022819	4-17, 4-18, 7-40, 7-57
7019103	4-21	7020111	2-47, 2-61, 2-77, 2-110	7021275	1-33, 1-37, 2-114		
7019110	4-21			7021276	1-33, 1-37, 2-114	7022822	4-21
7019111	4-17, 4-21	7020169	2-59	7021277	1-33, 1-37, 2-114	7022823	4-21
7019112	4-21	7020175	2-134, 2-138, 4-12	7021278	2-114	7022824	4-21, 7-40, 7-57
7019114	4-21	7020176	2-134, 2-138, 4-12	7021279	2-114	7022825	4-21, 4-22, 7-40, 7-57
7019115	4-21	7020180	1-5, 1-11, 1-17	7021280	2-113, 2-114		
7019122	4-17	7020190	2-47, 2-62, 2-77, 2-110	7021281	2-114	7023205	2-126
7019123	4-17			7021290	2-114	7023306	2-126
7019141	4-17	7020191	2-48, 2-110	7021294	2-114	7023821	2-6
7019142	4-17	7020192	2-48, 2-62, 2-77, 2-110	7021296	2-114	7023822	2-6
7019143	4-17			7021297	2-114	7023823	2-6
7019144	4-17	7020193	2-47, 2-62, 2-77, 2-110, 7-45, 7-61	7021298	2-114	7023824	2-6
7019145	4-17			7021299	2-114	7023907	1-33, 1-37
7019147	4-17	7020226	2-126	7021374	2-6	7023908	1-33, 1-37
				7021375	2-5, 2-6	7023910	1-33, 1-37

# SECTION 11 PARTS NUMBER INDEX

Part Number	Page	Part Number	Page	Part Number	Page	Part Number	Page
7023917	..... 1-41, 1-45, 1-46	7024857	.....2-113	7026879	.....2-29, 2-36		
7023934	..... 1-41, 1-46	7024858	.....2-113	7026880	.....2-29, 2-36		
7023935	..... 1-41	7024868	..... 1-33, 1-37	7026881	2-29, 2-37, 2-84, 2-94		
7023936	..... 1-41	7024881	..... 1-46	7026882	.....2-29, 2-36		
7024100	..... 2-15	7024962	2-29, 2-37, 2-44, 2-59, 2-69, 2-75, 2-87, 2-96, 2-106	7026883	.....2-29, 2-37		
7024182	..... 1-30			7026884	.....2-29, 2-37		
7024189	..... 1-30	7026113	.....5-17	7026885	2-29, 2-37, 2-84, 2-94		
7024190	..... 1-30	7026197	.....2-131	7026886	2-29, 2-37, 2-84, 2-94		
7024191	..... 1-30	7026199	2-47, 2-61, 2-77, 2-109	7027012	.....2-67, 2-73, 7-38		
7024192	..... 1-30			7027013	.....2-67, 2-73, 7-38		
7024193	..... 1-30, 1-31	7026408	.....7-55	7027020	.....7-38		
7024194	..... 1-30	7026503	.....2-131	7027021	...2-43, 2-105, 7-55		
7024195	..... 1-31	7026504	.....2-131	7027022	...2-43, 2-105, 7-55		
7024196	..... 1-30, 1-31	7026505	.....2-131	7027023	...2-43, 2-105, 7-55		
7024197	..... 1-30, 1-31	7026506	.....2-131	7027024	...2-43, 2-105, 7-55		
7024319	..... 2-133, 2-137	7026507	.....2-131	7027059	..... 1-29		
7024320	..... 2-134, 2-137	7026509	.....2-131	7027236	..... 2-57		
7024379	..... 2-21	7026608	.....2-58	7027238	..... 2-58		
7024380	..... 2-21	7026835	..... 2-29, 2-37	7027239	..... 2-59		
7024381	..... 2-21	7026836	..... 2-29, 2-37	7027245	..... 2-59		
7024390	..... 2-21	7026840	..... 2-29, 2-36	7027246	..... 2-57		
7024396	..... 2-21	7026843	2-29, 2-37, 2-84, 2-94	7027276	..... 2-59		
7024404	..... 2-131			7027419	..... 1-33, 1-37		
7024439	..... 2-126	7026844	.....2-29	7027608	..... 2-57		
7024440	..... 2-126	7026846	.... 2-28, 2-36, 2-44	7027609	..... 2-57		
7024441	..... 2-126	7026847	2-28, 2-36, 2-44, 2-84, 2-94	7027610	..... 2-57		
7024442	..... 2-126			7027769	..... 2-58		
7024443	..... 2-126	7026848	.... 2-28, 2-36, 2-44	7027790	..... 2-58		
7024444	..... 2-126, 9-1	7026849	.... 2-28, 2-36, 2-44	7027791	..... 2-58		
7024445	..... 2-126	7026850	.... 2-28, 2-36, 2-44	7027792	..... 2-59		
7024446	..... 2-126	7026851	.... 2-29, 2-36, 2-44	7027793	....2-58, 7-38, 7-56		
7024452	..... 2-141	7026852	.... 2-28, 2-36, 2-44	7027794	....2-59, 7-38, 7-56		
7024453	..... 2-21	7026853	.... 2-28, 2-36, 2-44	7027795	.....2-58, 9-1		
7024454	..... 2-21	7026854	.... 2-29, 2-36, 2-44	7027796	....2-58, 7-38, 7-55		
7024455	..... 2-21	7026855	..... 2-28, 2-44	7027858	.....2-145, 2-149		
7024456	..... 2-21	7026856	.... 2-28, 2-36, 2-44	7027887	2-48, 2-62, 2-78, 2-110		
7024458	..... 2-21	7026857	.... 2-28, 2-36, 2-44				
7024508	..... 5-23	7026858	.... 2-28, 2-36, 2-44	7027965	.....2-68, 2-74, 9-1		
7024565	..... 2-59	7026859	.... 2-29, 2-37, 2-44	7027972	.....2-68, 2-74, 9-1		
7024579	..... 2-59	7026860	.... 2-28, 2-36, 2-44	7027991	..... 7-39		
7024704	..... 2-20	7026861	.... 2-29, 2-37, 2-45	7027994	..... 2-68		
7024705	..... 1-30	7026862	.... 2-29, 2-37, 2-45	7027996	..... 2-68		
7024712	..... 1-29	7026863	.... 2-28, 2-36, 2-44	77143013	.....2-137		
7024713	..... 1-30	7026864	.... 2-28, 2-36, 2-44	77363228	..... 7-55		
7024714	..... 1-29	7026865	.... 2-28, 2-36, 2-44	77363229	..... 7-55		
7024715	..... 1-30	7026866	.... 2-28, 2-36, 2-44	80424002	..... 2-20		
7024716	..... 1-30	7026867	.... 2-28, 2-36, 2-44	80604018	..... 7-55		
7024717	..... 1-30	7026868	.... 2-28, 2-36, 2-44	80934561	..... 2-131		
7024718	..... 1-30	7026869	.... 2-28, 2-36, 2-44	8405006	.....2-41, 2-103		
7024763	..... 2-21	7026870	.... 2-28, 2-36, 2-44	85941018	.....2-41, 2-103		
7024784	..... 2-21	7026871	.... 2-28, 2-36, 2-44	8896941	..... 10-8		
7024800	..... 2-113	7026872	.... 2-28, 2-36, 2-44	8902175	..... 6-5, 6-7		
7024804	..... 2-114	7026873	.... 2-29, 2-36, 2-44	91503103	..... 7-55		
7024844	..... 1-46	7026874	.... 2-29, 2-36, 2-44	91504088	..... 7-55		
7024852	..... 1-33	7026875	.... 2-29, 2-36, 2-44	91504107	..... 7-55		
7024853	..... 1-33, 1-38	7026876	.....2-29				
7024854	..... 1-34, 1-38	7026878	.... 2-29, 2-36, 2-44				
7024855	..... 2-113						
7024856	..... 2-113						







3121236



An Oshkosh Corporation Company

Corporate Office  
JLG Industries, Inc.  
1 JLG Drive  
McConnellsburg PA. 17233-9533  
USA

☎ (717) 485-5161

📠 (717) 485-6417

## JLG Worldwide Locations

JLG Industries (Australia)  
P.O. Box 5119  
11 Bolwarra Road  
Port Macquarie  
N.S.W. 2444  
Australia

☎ +61 2 65 811111

📠 +61 2 65 813058

JLG Latino Americana Ltda.  
Rua Eng. Carlos Stevenson,  
80-Suite 71  
13092-310 Campinas-SP  
Brazil

☎ +55 19 3295 0407

📠 +55 19 3295 1025

JLG Industries (UK) Ltd  
Bentley House  
Bentley Avenue  
Middleton  
Greater Manchester  
M24 2GP - England

☎ +44 (0)161 654 1000

📠 +44 (0)161 654 1001

JLG France SAS  
Z.I. de Baulieu  
47400 Fauillet  
France

☎ +33 (0)5 53 88 31 70

📠 +33 (0)5 53 88 31 79

JLG Deutschland GmbH  
Max-Planck-Str. 21  
D - 27721 Ritterhude - Ihlpohl  
Germany

☎ +49 (0)421 69 350 20

📠 +49 (0)421 69 350 45

JLG Equipment Services Ltd.  
Rm 1107 Landmark North  
39 Lung Sum Avenue  
Sheung Shui N. T.  
Hong Kong

☎ (852) 2639 5783

📠 (852) 2639 5797

JLG Industries (Italia) s.r.l.  
Via Po. 22  
20010 Pregnana Milanese - MI  
Italy

☎ +39 029 359 5210

📠 +39 029 359 5845

Oshkosh-JLG Singapore  
Technology Equipment Pte  
Ltd  
29 Tuas Ave 4,  
Jurong Industrial Estate  
Singapore, 639379

☎ +65-6591 9030

📠 +65-6591 9031

Plataformas Elevadoras  
JLG Iberica, S.L.  
Trapadella, 2  
P.I. Castellbisbal Sur  
08755 Castellbisbal, Barcelona  
Spain

☎ +34 93 772 4700

📠 +34 93 771 1762

JLG Sverige AB  
Enkopingsvagen 150  
Box 704  
SE - 176 27 Jarfalla  
Sweden

☎ +46 (0)850 659 500

📠 +46 (0)850 659 534