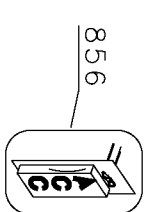
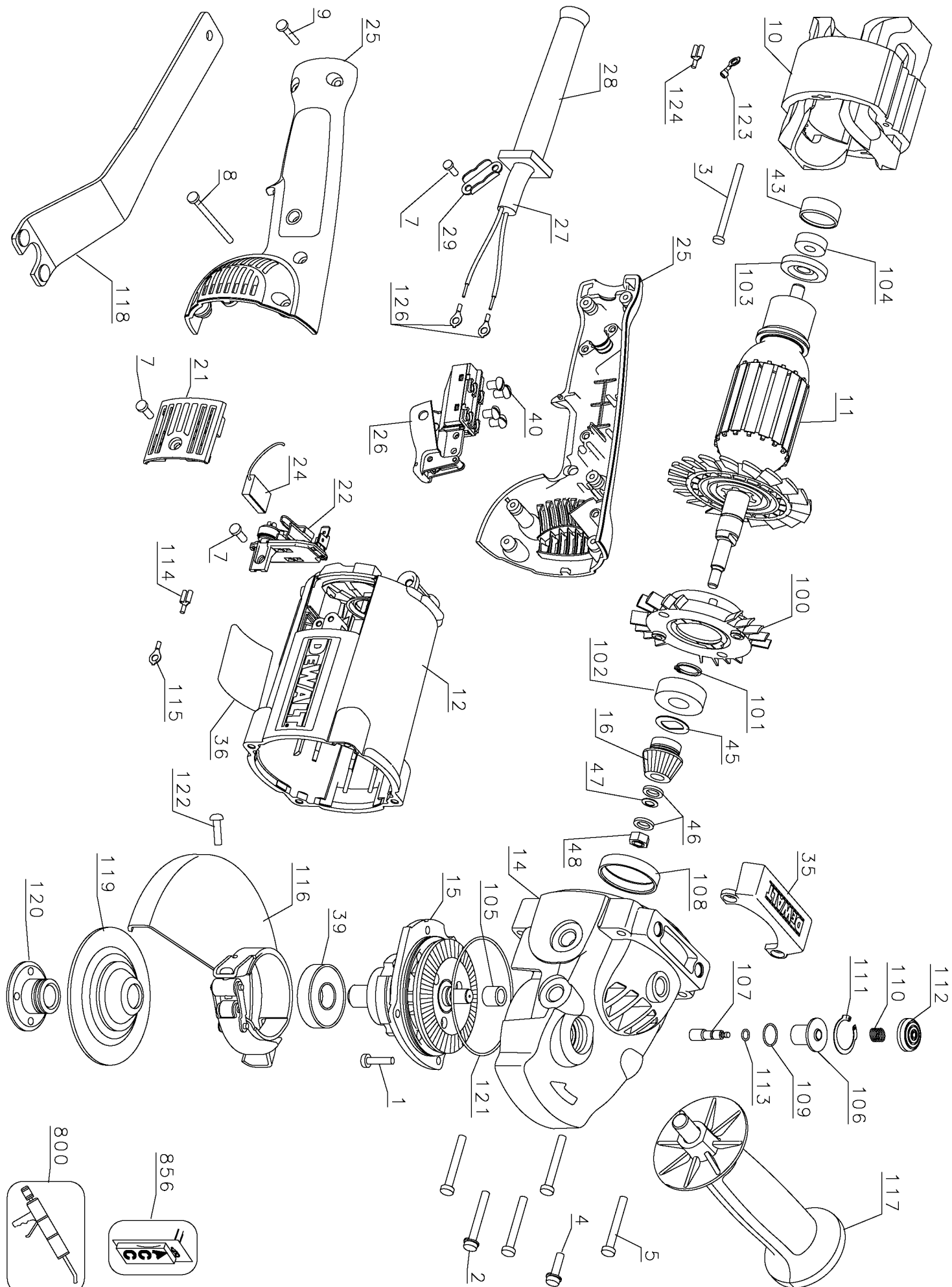




Click Here To View
Item at

www.GapPower.com

*Sales • Rentals
Parts & Service*



Parts List for D28474W Type 2

Item Number	Part Number	Description	Qty Required
1	330045-15	SCREW,M5X20	4
2	330019-26	SCREW	4
3	330019-19	SCREW	2
4	330045-70	SCREW	1
5	330045-67	SCREW	1
7	330019-11	SCREW	6
8	330019-18	SCREW,PLASTITE	3
9	330019-32	SCREW	4
10	614024-00SV	FIELD	1
11	635998-01	ARMATURE KIT	1
12	393239-00	FIELD CASE	1
14	398618-00SV	GEAR CASE ASSY.	1
15	398621-12S	GEAR CASE COVER ASSY	1
16	578635-02	PINION	1
21	394387-00	BRUSH DOOR	2
22	617001-00	BRUSH HLDR.ASSY	2
24	392574-01	BRUSH	2
25	395184-00	HANDLE & COVER	1
26	394375-04	SWITCH	1
27	614838-00	CORD&PLUG	1
28	330005-11	CORD PROTECTOR	1
29	604119-00	CORD CLAMP	1
35	620579-00	BUMPER	1
36	606186-30	NAME PLATE	1
39	445928-01	SOFT MOUNT	1
40	384127-01	SCREW	4
43	609970-00	BEARING CUP	1

COPYRIGHT© 2005. All Rights Reserved.

Parts list, pricing, and availability subject to change. Please visit www.dewaltservicenet.com for current parts information.

Parts List for D28474W Type 2

Item Number	Part Number	Description	Qty Required
45	608568-00	WASHER	1
46	607502-00	WASHER	2
47	614045-00	SPRING WASHER	1
48	609125-00	LOCK NUT	1
100	393222-00	STATOR	1
101	398605-00	RETAINING RING	1
102	605040-27	BALL BEARING	1
103	393238-00	DUST SHIELD	1
104	330003-60	BEARING	1
105	330004-06	BEARING,NEEDLE	1
106	611213-00	SLEEVE	1
107	611212-00	PIN	1
108	609971-00	SLEEVE	1
109	50049-00	O RING	1
110	395029-00	SPRING	1
111	603470-00	RETAINING RING	1
112	610999-00	CAP	1
113	603608-00	O RING	1
114	398816-01	TERMINAL	1
115	053650-00	TERMINAL	1
116	393141-01	GUARD ASSEMBLY	1
117	651858-00	SIDE HANDLE	1
118	061820-01	SPANNER WRENCH	1
119	054339-00	FLANGE	1
120	22191-00	NUT, CLAMP	1
121	397031-00	O-RING	1
122	606863-00	SCREW	1

COPYRIGHT© 2005. All Rights Reserved.

Parts list, pricing, and availability subject to change. Please visit www.dewaltservicenet.com for current parts information.

Parts List for D28474W Type 2

Item Number	Part Number	Description	Qty Required
123	610057-00	TERMINAL	1
124	612273-00	TERMINAL	1
126	395716-00	TERMINAL	2
800	30301914-01	GREASE	1
800	429954-01	GREASE,1 LB.	1
800	429954-00	GREASE, 7LBS	1
856	DW4999	METAL-DCW	1

COPYRIGHT© 2005. All Rights Reserved.

Parts list, pricing, and availability subject to change. Please visit www.dewaltservicenet.com for current parts information.