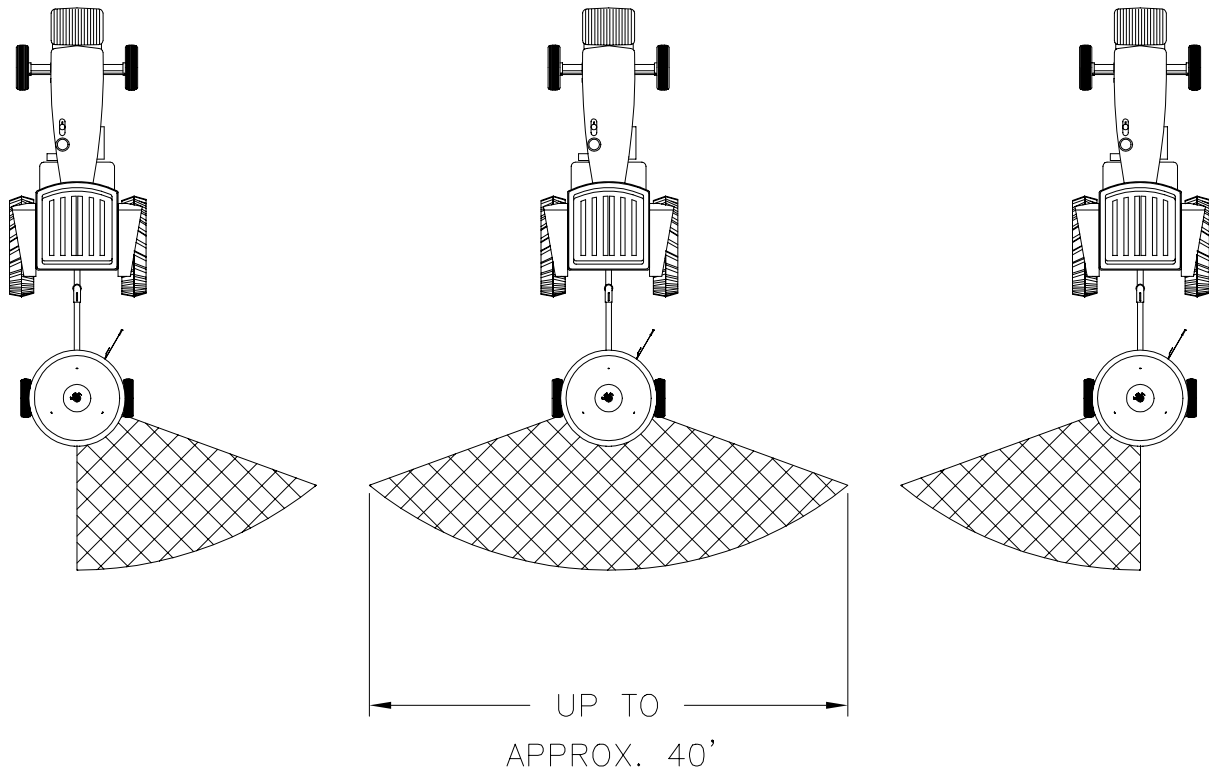
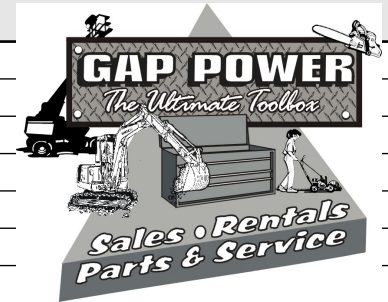


PTS500 & PTS700 Broadcast Spreaders

Description	Specifications & Capacities	
Model No's.	PTS500	
Min. Tractor HP	15 HP	
Capacity (Maximum Cu.ft. & pounds)	5.83 cu. ft. (350 lbs.)	
Overall Length	59"	
Overall Width	41"	
Loading Height	51"	
Hopper Width	35"	
Weight	165 lbs.	
Hopper Material	Plastic	
Frame Construction and Finish	Steel welded frame with baked on epoxy finish	
Spreader Disc & Distributor Vane Material	All stainless steel	
Number of Vanes and Adjustable positions	Four adjustable vanes in four different positions	
Hitch Type	2" Ball	
Net Spreadable Width	26" -40'	
Ground Covered per Hour	7 to 15 acres/hr.	



30677