



Click Here To View
Item at

www.GapPower.com

*Sales • Rentals
Parts & Service*

Features

EASILY CONFIGURED TO MEET YOUR NEEDS

PLATFORM OPTIONS

- Sliding mid-rail standard platform
- Gated standard platform
- Gated ultra narrow platform
- Gated narrow platform
- Standard fiberglass platform
- Narrow fiberglass platform

POWER OPTIONS

- AC power 110 V / 50-60 Hz
- AC power 220 V / 50-60 Hz
- DC power 110 V / 60 Hz automatic “smart” charging system
- DC power 110/230 V / 50-60 Hz worldwide model
- Air motor power 1.5 hp (1.1 kW) (AWP™-30 only)

BASE OPTIONS

- Standard base
- Narrow base (AWP™-20, -25, 30 only)
- Rough terrain (RT) base (AWP™-20, -25, 30 only)

OPTIONS & ACCESSORIES

PRODUCTIVITY

- Super-Straddle
- Tilt-back frame (option on AWP™-20, -25, -30 only)
- Platform locating laser light
- Tool tray
- Fluorescent tube caddy
- Operational warning light and descent alarm package
- Gated standard platform
- Gated ultra narrow platform
- Gated narrow platform
- Standard fiberglass platform
- Narrow fiberglass platform
- Narrow base conversion kit (AWP™-20, -25, -30 RT only)
- RT conversion kit (AWP™-20, -25, -30 Narrow only)

POWER

- Air motor power 1.5 hp (1.1 kW) (AWP™-30 only)



STANDARD FEATURES

MEASUREMENTS

AWP™-20S

- 26 ft 1 in (8.12 m) working height
- 20 ft 1 in (6.12 m) platform height
- 2 ft 5 in (.74 m) standard base width
- 1 ft 10 in (.56 m) narrow base width
- 2 ft 6 in (.76 m) RT base width
- Up to 350 lb (159 kg) lift capacity

AWP™-25S

- 30 ft 9 in (9.54 m) working height
- 24 ft 9 in (7.54 m) platform height
- 2 ft 5 in (.74 m) standard base width
- 1 ft 10 in (.56 m) narrow base width
- 2 ft 6 in (.76 m) RT base width
- Up to 350 lb (159 kg) lift capacity

AWP™-30S

- 35 ft 6 in (11.02 m) working height
- 29 ft 6 in (9.02 m) platform height
- 2 ft 5 in (.74 m) standard base width
- 1 ft 10 in (.56 m) narrow base width
- 2 ft 6 in (.76 m) RT base width
- Up to 350 lb (159 kg) lift capacity

AWP™-36S

- 42 ft 6 in (13.16 m) working height
- 36 ft 6 in (11.16 m) platform height
- 2 ft 5 in (.74 m) standard base width
- Up to 350 lb (159 kg) lift capacity

AWP™-40S

- 46 ft 3 in (14.26 m) working height
- 40 ft 3 in (12.26 m) platform height
- 2 ft 5 in (.74 m) standard base width
- Up to 300 lb (136 kg) lift capacity

PRODUCTIVITY

- Sliding mid-rail platform
- AC power to platform
- Auxiliary platform lowering
- Dual activated up/down switch
- Ground fault interrupt power receptacle
- Most rigid mast in the industry
- Small outrigger footprints
- Outrigger storage pockets
- Rocker base system for maneuverability
- Tilt base frame (standard on AWP™-36, -40)
- Easily rolls through standard doorways
- Easy loading in pickup trucks
- Overhead crane attachment points
- Wide forklift pockets
- Tie down attachment points
- LED lights confirm proper set-up

POWER

- AC power 110 V / 50-60 Hz
- AC power 220 V / 50-60 Hz
- DC power 110 V / 60 Hz with automatic “smart” charging system
- DC power 110/230 V / 50-60 Hz Worldwide model with a voltage adjustable, hertz compensating, automatic “smart” charging system

AWP™-20S, -25S, -30S, -36S, -40S

Specifications

MODELS	AWP™-20S		AWP™-25S		AWP™-30S	
	US	Metric	US	Metric	US	Metric
MEASUREMENTS						
Working height*	26 ft 1 in	8.12 m	30 ft 9 in	9.54 m	35 ft 6 in	11.02 m
Platform height	20 ft 1 in	6.12 m	24 ft 9 in	7.54 m	29 ft 6 in	9.02 m
A Height - stowed (Standard, Narrow)	6 ft 6 in	1.98 m	6 ft 6 in	1.98 m	6 ft 6 in	1.98 m
stowed (RT)	6 ft 7 in	2.01 m	6 ft 7 in	2.01 m	6 ft 7 in	2.01 m
B tilted back** (Standard)	5 ft 10 in	1.78 m	6 ft .3 in	1.84 m	6 ft 2.5 in	1.89 m
C Length - stowed (Standard)	4 ft 1 in	1.24 m	4 ft 3.5 in	1.31 m	4 ft 5 in	1.35 m
stowed (Narrow)	4 ft 2 in	1.27 m	4 ft 4 in	1.32 m	4 ft 7 in	1.40 m
stowed (RT)	4 ft 10 in	1.47 m	4 ft 10 in	1.47 m	4 ft 10 in	1.47 m
D Length - tilted back**	6 ft 11 in	2.10 m	6 ft 11 in	2.10 m	6 ft 11 in	2.10 m
E Width (Standard)	2 ft 5 in	.74 m	2 ft 5 in	.74 m	2 ft 5 in	.74 m
Width (Narrow)	1 ft 10 in	.56 m	1 ft 10 in	.56 m	1 ft 10 in	.56 m
Width (RT)	2 ft 6 in	.76 m	2 ft 6 in	.76 m	2 ft 6 in	.76 m
PRODUCTIVITY						
Lift capacity - ANSI/CE/CSA (RT)	350 lbs	159 kg	350 lbs	159 kg	350 lbs	159 kg
CSA (Standard, Narrow)	300 lbs	136 kg	300 lbs	136 kg	300 lbs	136 kg
ANSI:						
F Outrigger footprint (l/w) (Standard)	5 ft 1 in/4 ft 5 in	1.55/1.35 m	5 ft 1 in/4 ft 5 in	1.55/1.35 m	5 ft 9 in/5 ft 1 in	1.75/1.55 m
Outrigger footprint (l/w) (Narrow/RT)	3 ft 4 in/4 ft	1.63/1.22 m	3 ft 4 in/4 ft	1.63/1.22 m	6 ft/4 ft 10 in	1.83/1.47 m
H Corner access*** (Standard)	1 ft 3 in	.38 m	1 ft 2 in	.36 m	1 ft 7 in	.48 m
Corner access*** (Narrow/RT)	1 ft 2 in	.36 m	1 ft 1 in	.33 m	1 ft 7 in	.48 m
I Wall access front/side (Standard)	6 in/1 ft 1 in	.15/.33 m	3 in/1 ft 1 in	.08/.33 m	5 in/1 ft 5 in	.13/.43 m
Wall access front/side (Narrow/RT)	9 in/1 ft	.23/.30 m	6 in/1 ft	.15/.30 m	7 in/1 ft 5 in	.18/.43 m
CSA:						
F Outrigger footprint (l/w) (Standard)	5 ft 9 in/5 ft 1 in	1.75/1.55 m	6 ft 11 in/6 ft 3 in	2.11/1.9 m	8 ft 1 in/7 ft 5 in	2.46/2.26 m
Outrigger footprint (l/w) (Narrow/RT)	6 ft 3 in/5 ft 6 in	1.90/1.68 m	6 ft 11 in/6 ft 2 in	2.11/1.88 m	7 ft 11 in/7 ft 6 in	2.41/2.29 m
H Corner access*** (Standard)	1 ft 8 in	.51 m	2 ft 5 in	.74 m	3 ft 1 in	.94 m
Corner access*** (Narrow/RT)	2 ft 1 in	.64 m	2 ft 5 in	.74 m	3 ft 2 in	.97 m
I Wall access front/side (Standard)	10 in/1 ft 5 in	.25/.43 m	1 ft 2 in/2ft 1 in	.36/.64 m	1 ft 7 in/2 ft 8 in	.48/.81 m
Wall access front/side (Narrow/RT)	1 ft 2 in/1 ft 8 in	.36/.51 m	1 ft 3 in/2 ft 1 in	.38/.64 m	1 ft 7 in/2 ft 9 in	.48/.84 m
CE Indoor:						
F Outrigger footprint (l/w) (Standard)	5 ft 1 in/4 ft 5 in	1.55/1.35 m	5 ft 9 in/5 ft 1 in	1.75/1.55 m	6 ft 4 in/5 ft 8 in	1.93/1.73 m
Outrigger footprint (l/w) (Narrow/RT)	5 ft 11 in/4 ft 10 in	1.80/1.47 m	5 ft 11 in/4 ft 10 in	1.80/1.47 m	6 ft 11 in/6 ft 2 in	2.11/1.88 m
H Corner access*** (Standard)	1 ft 3 in	.38 m	1 ft 7 in	.48 m	1 ft 10 in	.56 m
Corner access*** (Narrow/RT)	1 ft 9 in	.53 m	1 ft 8 in	.51 m	2 ft 3.5 in	.70 m
I Wall access front/side (Standard)	6 in/1 ft 1 in	.15/.33 m	7 in/1 ft 5 in	.18/.43 m	8 in/1 ft 9 in	.20/.53 m
Wall access front/side (Narrow/RT)	1 ft/1 ft 5 in	.30/.43 m	10 in/1 ft 5 in	.25/.43 m	9 in/1 ft 8 in	.23/.51 m
CE Outdoor:						
F Outrigger footprint (l/w) (Standard)	8 ft 1 in/7 ft 5 in	2.46/2.26 m	9 ft 9 in/9 ft 2 in	2.97/2.79 m	9 ft 9 in/9 ft 2 in	2.97/2.79 m
Outrigger footprint (l/w) (Narrow/RT)	9 ft 4 in/9 ft 4 in	2.84/2.84 m	9 ft 4 in/9 ft 4 in	2.84/2.84 m	10 ft 10 in/11 ft 4 in	3.30/3.45 m
H Corner access*** (Standard)	1 ft 7 in	.48 m	2 ft 6 in	.76 m	2 ft 3 in	.69 m
Corner access*** (Narrow/RT)	4 ft 6 in	1.37 m	4 ft 4 in	1.32 m	5 ft 1 in	1.55 m
I Wall access front/side (Standard)	1 ft 7 in/2 ft 8 in	.48/.81 m	2 ft 5 in/3 ft 6 in	.74/1.07 m	2 ft 3 in/3 ft 6 in	.69/1.07 m
Wall access front/side (Narrow/RT)	2 ft 8 in/3 ft 8 in	.81/1.12m	2 ft 5 in/3 ft 8 in	.74/1.12 m	2 ft 11 in/4 ft 7 in	.89/1.40 m
Platform Dimensions: (l/w/h)						
Standard	27/26/44.75 in	.69/.66/1.14 m	27/26/44.75 in	.69/.66/1.14 m	27/26/44.75 in	.69/.66/1.14 m
Gated	27/26/44.75 in	.69/.66/1.14 m	27/26/44.75 in	.69/.66/1.14 m	27/26/44.75 in	.69/.66/1.14 m
Gated ultra narrow	22/18/44.75 in	.56/.46/1.14 m	22/18/44.75 in	.56/.46/1.14 m	22/18/44.75 in	.56/.46/1.14 m
Gated narrow	26/20/44.75 in	.66/.51/1.14 m	26/20/44.75 in	.66/.51/1.14 m	26/20/44.75 in	.66/.51/1.14 m
Standard fiberglass	29/26.5/43.5 in	.74/.67/1.10 m	29/26.5/43.5 in	.74/.67/1.10 m	29/26.5/43.5 in	.74/.67/1.10 m
Narrow fiberglass	26/22/43.5 in	.66/.56/1.10 m	26/22/43.5 in	.66/.56/1.10 m	26/22/43.5 in	.66/.56/1.10 m
POWER						
Power source - AC or DC models	12V / 110/50-60 Hz or 220/50-60 Hz		12V / 110/50-60 Hz or 220/50-60 Hz		12V / 110/50-60 Hz or 220/50-60 Hz	
WEIGHT						
AC models (Standard)	677 lbs	307 kg	727 lbs	330 kg	777 lbs	352 kg
AC models (Narrow)	655 lbs	297 kg	690 lbs	313 kg	724 lbs	328 kg
AC models (RT)	660 lbs	299 kg	694 lbs	315 kg	729 lbs	331 kg
DC models (Standard)	767 lbs	348 kg	817 lbs	371 kg	867 lbs	393 kg
DC models (Narrow)	745 lbs	338 kg	780 lbs	354 kg	814 lbs	369 kg
DC models (RT)	750 lbs	340 kg	784 lbs	356 kg	819 lbs	371 kg
STANDARDS COMPLIANCE						
	ANSI A92.3, CSA B354.1, CE Compliance, AS 1418.10					

AERIAL WORK PLATFORMS

AWP™-20S, -25S, -30S, -36S, -40S

Specifications

MODELS	AWP™-36S		AWP™-40S	
	US	Metric	US	Metric
Working height*	42 ft 6 in	13.16 m	46 ft 3 in	14.26 m
Platform height	36 ft 6 in	11.16 m	40 ft 3 in	12.26 m
A Height - stowed (Standard, Narrow)	9 ft 1.5 in	2.78 m	9 ft 1.5 in	2.78 m
stowed (RT)	_____	_____	_____	_____
B tilted back** (Standard)	6 ft 3.5 in	1.92 m	6 ft 6 in	1.98 m
C Length - stowed (Standard)	4 ft 7 in	1.40 m	4 ft 8 in	1.42 m
stowed (Narrow)	_____	_____	_____	_____
stowed (RT)	_____	_____	_____	_____
D Length - tilted back**	9 ft 9 in	2.97 m	9 ft 9 in	2.97 m
E Width (Standard)	2 ft 5 in	.74 m	2 ft 5 in	.74 m
Width (Narrow)	_____	_____	_____	_____
Width (RT)	_____	_____	_____	_____

PRODUCTIVITY

Lift capacity - ANSI/CE	350 lbs	159 kg	300 lbs	136 kg
CSA	300 lbs	136 kg	300 lbs	136 kg

ANSI:				
F G Outrigger footprint (l/w) (Standard)	6 ft 11 in/6 ft 3 in	2.1/1.9 m	7 ft 5 in/6 ft 9 in	2.26/2.06 m
Outrigger footprint (l/w) (Narrow/RT)	_____	_____	_____	_____
H Corner access*** (Standard)	2 ft 5 in	.74 m	2 ft 7 in	.79 m
Corner access*** (Narrow/RT)	_____	_____	_____	_____
I J Wall access front/side (Standard)	1 ft 2 in/2 ft 1 in	.36/.64 m	1 ft 3 in/2 ft 4 in	.38/.71 m
Wall access front/side (Narrow/RT)	_____	_____	_____	_____

CSA:				
F G Outrigger footprint (l/w) (Standard)	9 ft 9 in/9 ft 2 in	2.97/2.79 m	9 ft 9 in/9 ft 2 in	2.97/2.79 m
Outrigger footprint (l/w) (Narrow/RT)	_____	_____	_____	_____
H Corner access*** (Standard)	4 ft 4 in	1.32 m	4 ft 3 in	1.30 m
Corner access*** (Narrow/RT)	_____	_____	_____	_____
I J Wall access front/side (Standard)	2 ft 7 in/3 ft 6 in	.79/1.07 m	2 ft 5 in/3 ft 6 in	.74/1.07 m
Wall access front/side (Narrow/RT)	_____	_____	_____	_____

CE Indoor:				
F G Outrigger footprint (l/w) (Standard)	6 ft 11 in/6 ft 3 in	2.10/1.90 m	7 ft 5 in /6 ft 9 in	2.26/2.06 m
Outrigger footprint (l/w) (Narrow/RT)	_____	_____	_____	_____
H Corner access*** (Standard)	2 ft 5 in	.74 m	2 ft 7 in	.79 m
Corner access*** (Narrow/RT)	_____	_____	_____	_____
I J Wall access front/side (Standard)	1 ft 2 in/2 ft 1 in	.36/.64 m	1 ft 3 in/2 ft 4 in	.38/.71 m
Wall access front/side (Narrow/RT)	_____	_____	_____	_____

CE Outdoor:				
F G Outrigger footprint (l/w) (Standard)	11 ft 7 in/10 ft 11 in	3.53/3.33 m	12 ft 9 in/12 ft 1 in	3.89/3.68 m
Outrigger footprint (l/w) (Narrow/RT)	_____	_____	_____	_____
H Corner access*** (Standard)	3 ft 4 in	1.02 m	3 ft 8 in	1.12 m
Corner access*** (Narrow/RT)	_____	_____	_____	_____
I J Wall access front/side (Standard)	3 ft 4 in/4 ft 4 in	1.02/1.32 m	3 ft 8 in/5 ft	1.12/1.52 m
Wall access front/side (Narrow/RT)	_____	_____	_____	_____

Platform Dimensions: (l/w/h)				
Standard	27/26/44.75 in	.69/.66/1.14 m	27/26/44.75 in	.69/.66/1.14 m
Gated	27/26/44.75 in	.69/.66/1.14 m	27/26/44.75 in	.69/.66/1.14 m
Gated ultra narrow	22/18/44.75 in	.56/.46/1.14 m	22/18/44.75 in	.56/.46/1.14 m
Gated narrow	26/20/44.75 in	.66/.51/1.14 m	26/20/44.75 in	.66/.51/1.14 m
Standard fiberglass	29/26.5/43.5 in	.74/.67/1.10 m	29/26.5/43.5 in	.74/.67/1.10 m
Narrow fiberglass	26/22/43.5 in	.66/.56/1.10 m	26/22/43.5 in	.66/.56/1.10 m

POWER

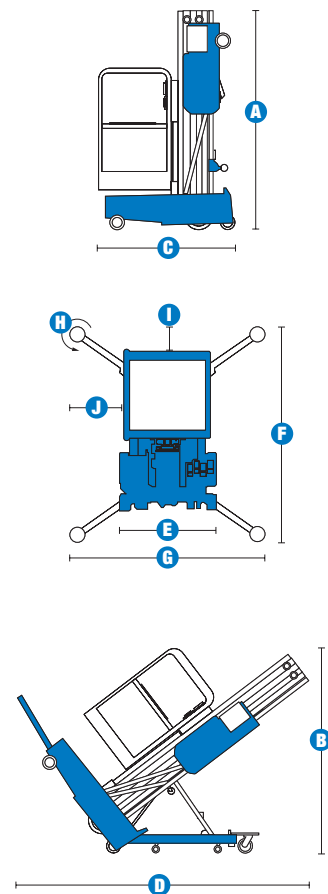
Power source - AC or DC models	12V / 110/50-60 Hz or 220/50-60 Hz	12V / 110/50-60 Hz or 220/50-60 Hz
--------------------------------	------------------------------------	------------------------------------

WEIGHT

AC models (Standard)	1,017 lbs	461 kg	1,040 lbs	472 kg
AC models (Narrow)	_____	_____	_____	_____
AC models (RT)	_____	_____	_____	_____
DC models (Standard)	1,107 lbs	502 kg	1,130 lbs	513 kg
DC models (Narrow)	_____	_____	_____	_____
DC models (RT)	_____	_____	_____	_____

STANDARDS COMPLIANCE

ANSI A92.3, CSA B354.1, CE Compliance, AS 1418.10



* The metric equivalent of working height adds 2 m to platform height. U.S. adds 6 ft to platform height.

** Tilt back height with standard platform. For tilt back height with other platforms, please contact your sales representative.

*** Corner of platform top rail to corner of wall with ability to rotate leveling jack handle.