



SERVICE PARTS LIST

BULLETIN NO.
54-07-2820

SPECIFY CATALOG NO. AND SERIAL NO. WHEN ORDERING PARTS		REVISED BULLETIN	DATE
M18™ SWITCH TANK™			Apr. 2023
CATALOG NO.	2820-20	STARTING SERIAL NO.	K62A
WIRING INSTRUCTION			

EXAMPLE:
Component Parts (Small #)
Are Included When Ordering
The Assembly (Large #).

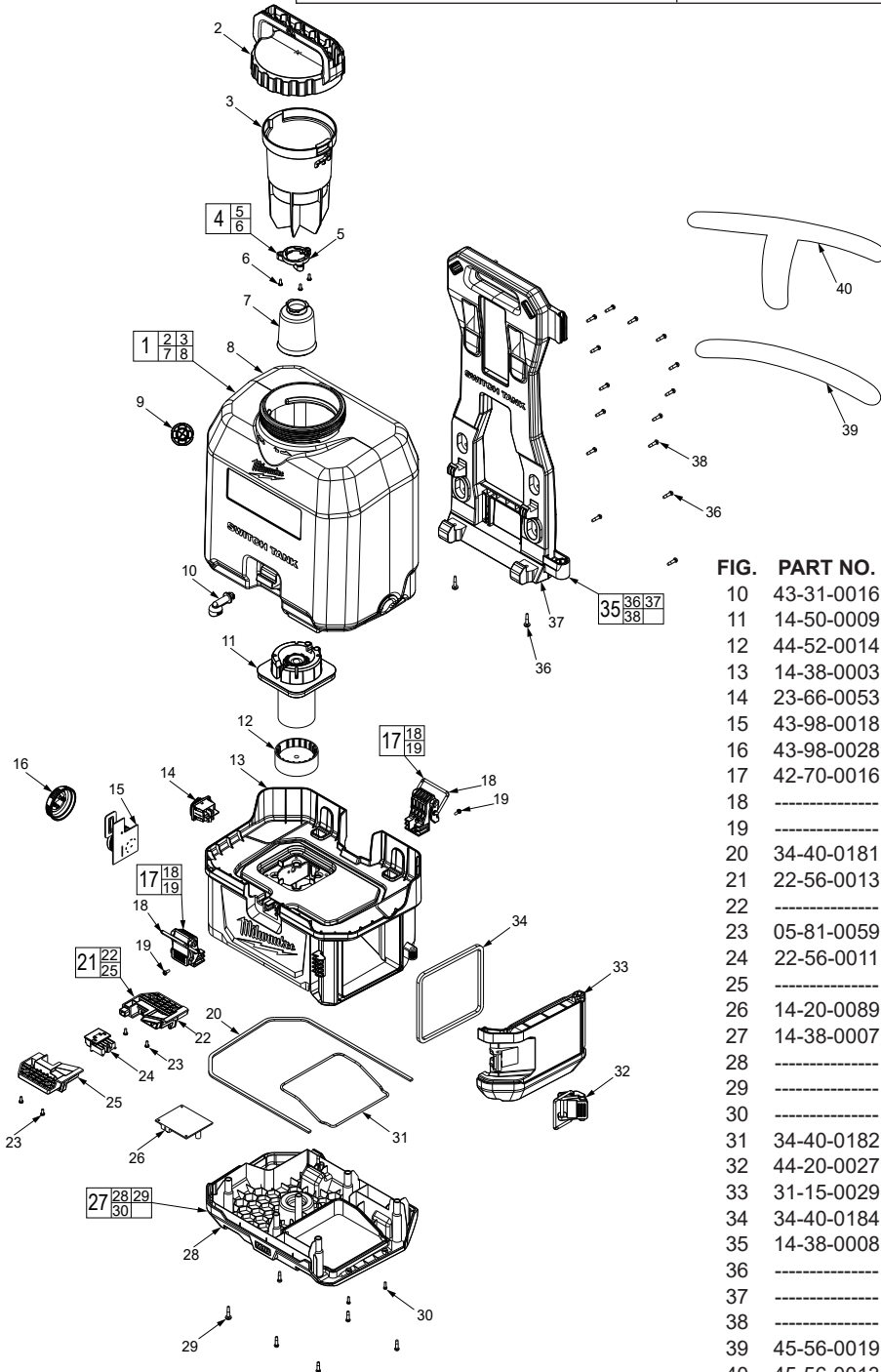


FIG.	PART NO.	DESCRIPTION OF PART	NO. REQ.
10	43-31-0016	Pump Inlet Filter w/ O-Ring	(1)
11	14-50-0009	Motor Assembly	(1)
12	44-52-0014	Motor Pad	(1)
13	14-38-0003	Main Housing Assembly	(1)
14	23-66-0053	Switch Assembly	(1)
15	43-98-0018	Speed Regulator w/ Speed Knob	(1)
16	43-98-0028	Speed Knob Cap w/ O-Ring	(1)
17	42-70-0016	Main Housing Latch Assembly (Set of 1)	(2)
18	-----	Main Housing Latch	(2)
19	-----	M4 x 16 Screw	(2)
20	34-40-0181	Bottom Housing Seal	(1)
21	22-56-0013	Terminal Block Cover Kit	(1)
22	-----	Right Terminal Block Cover	(1)
23	05-81-0059	M4 x 12 Screw	(4)
24	22-56-0011	Terminal Block Assembly	(1)
25	-----	Left Terminal Block Cover	(1)
26	14-20-0089	Electronics Assembly	(1)
27	14-38-0007	Bottom Housing Kit	(1)
28	-----	Bottom Housing	(1)
29	-----	M4 x 16 Screw	(6)
30	-----	M2.9 x 8 Screw	(2)
31	34-40-0182	Battery Compartment Seal	(1)
32	44-20-0027	Battery Door Latch Assembly	(1)
33	31-15-0029	Battery Door Assembly	(1)
34	34-40-0184	Battery Door Seal	(1)
35	14-38-0008	Backpack Frame Assembly	(1)
36	-----	M4.8 x 20 Screw	(6)
37	-----	Backpack Frame	(1)
38	-----	M4 x 12 Screw	(11)
39	45-56-0019	Backpack Lower Strap	(1)
40	45-56-0013	Backpack Shoulder Strap	(1)
41	12-20-0206	Powered Base Service Nameplate (Not Shown)	(1)
42	12-20-0159	Water Supply Tank Service Nameplate (Not Shown)	(1)
43	12-20-0163	Concrete/Sprayer Tank Service Nameplate (N.S.)	(1)
44	10-20-2376	Warning Label (Not Shown)	(1)
45	10-20-3067	Tank Cap Warning Label (Not Shown)	(1)

FIG.	PART NO.	DESCRIPTION OF PART	NO. REQ.
1	49-16-28PS	Sprayer Tank Assembly	(1)
1	49-16-28WS	Water Supply Tank Assembly	(1)
1	49-16-28CS	Concrete Sprayer Tank Assembly	(1)
2	31-40-1119	Sprayer Tank Lid Assembly (Green)	(1)
2	31-40-0034	Water Supply Tank Lid Assembly (Blue)	(1)
2	31-40-0036	Concrete Sprayer Tank Lid Assembly (Black)	(1)
3	31-01-0039	Strainer Assembly	(1)
4	42-36-0051	Measuring Cup Bracket Kit	(1)
5	-----	Measuring Cup Bracket	(1)
6	-----	M3 x 10 Screw	(3)
7	42-96-0018	Measuring Cup	(1)
8	-----	Tank	(1)
9	42-52-0033	Drain Cap Assembly	(1)

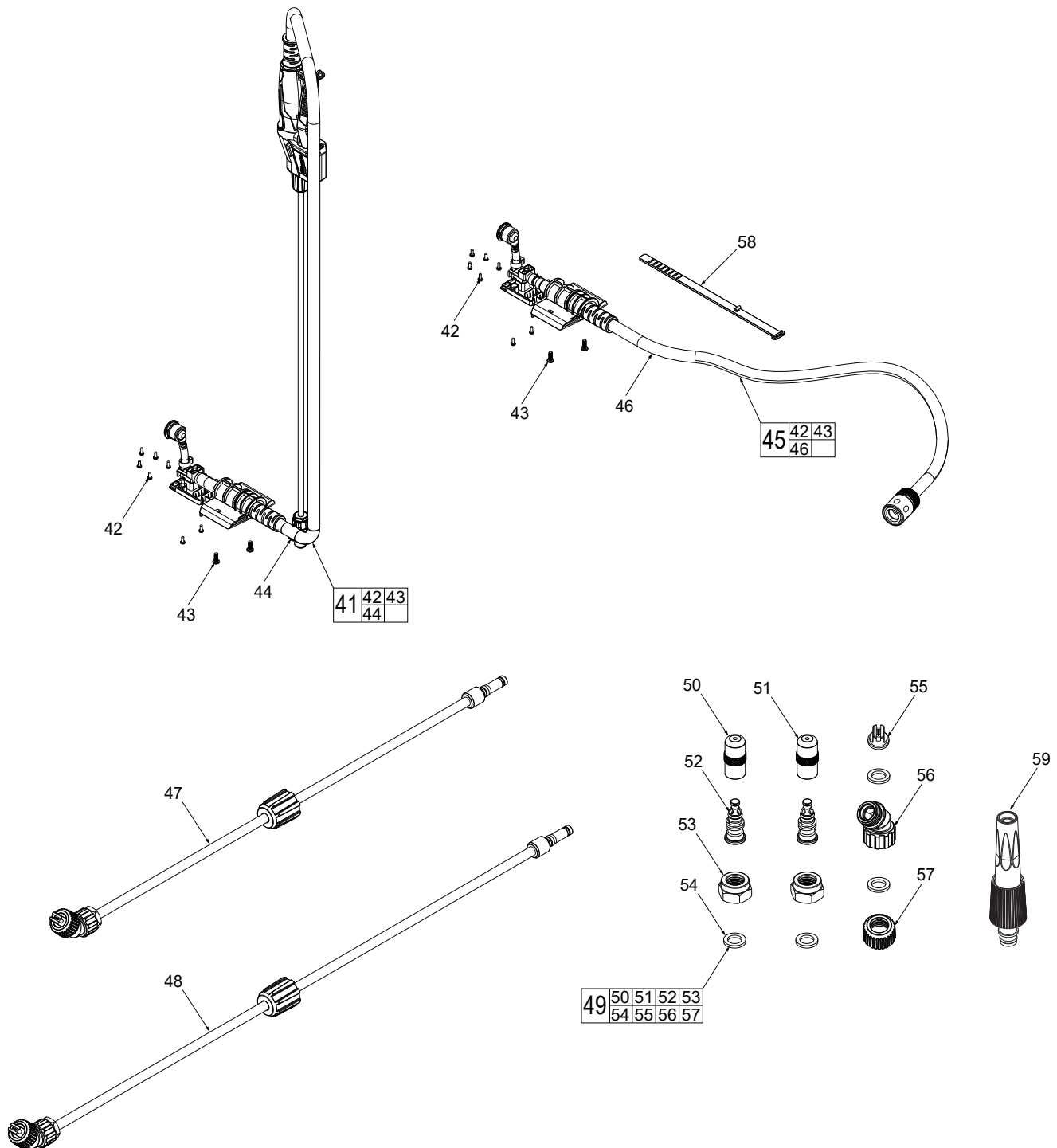


FIG.	PART NO.	DESCRIPTION OF PART	NO. REQ.
41	49-16-2727	Sprayer/Concrete Nozzle Assembly	(1)
42	-----	M4 x 16 Screw	(7)
43	-----	10-32 x 1/2 Machine Screw	(2)
44	-----	Sprayer/Concrete Nozzle	(1)
45	49-16-2730	Replacement Hose Assembly	(1)
46	-----	Replacement Hose	(1)
47	49-16-2729	Short Concrete Wand	(1)
48	14-46-0102	Long Concrete Wand	(1)
49	49-16-2728	Nozzle Accessory Kit (All Models)	(1)
50	-----	Sprayer Nozzle	(1)

FIG.	PART NO.	DESCRIPTION OF PART	NO. REQ.
51	-----	Concrete Nozzle	(1)
52	-----	Connector Tube	(2)
53	-----	Connector Tube Cover Plate	(2)
54	-----	Nozzle Sealing	(4)
55	-----	Fan Tip	(1)
56	-----	Fan Nozzle Connector Tube	(1)
57	-----	Fan Nozzle Cover Plate	(1)
58	43-72-0023	Rubber Strap	(1)
59	31-12-0016	Water Tank Nozzle	(1)