



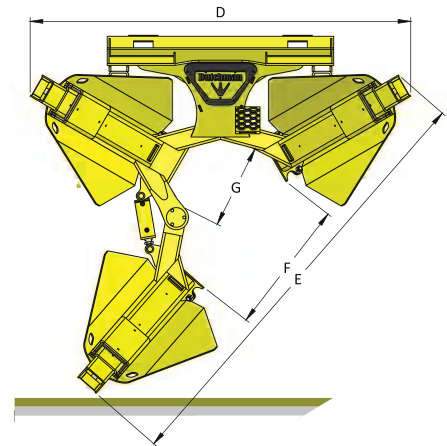
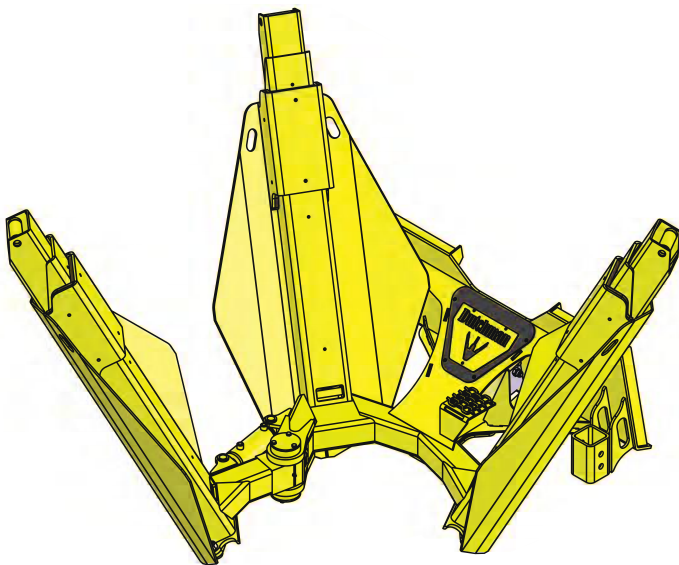
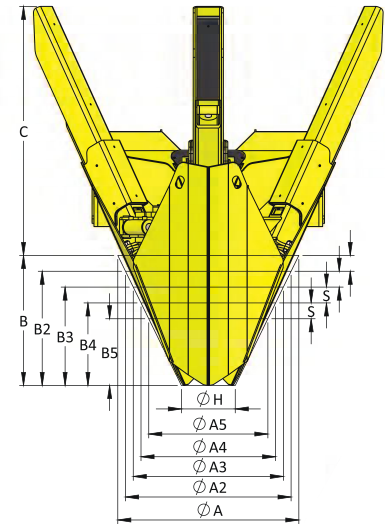
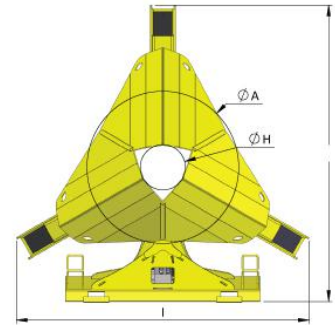
330i

3 BLADE 30 DEGREE INSIDE FRAME

Basic Machine

Maximum Rootball Diameter	A	36.4"	(92 cm)
Root Ball Depth	B	26.6"	(68 cm)
Working Height	C	48.9"	(124 cm)
Working Width (Closed)	D	106"	(269 cm)
Working Width (Open)	E	129.1"	(328 cm)
Open Gate Clearance	F	43.1"	(110 cm)
Inner Diameter (Max Trunk Size)	G	38.2"	(97 cm)
Lower Rootball Diameter	H	4.1"	(10 cm)
Closed Width	I	100.1"	(254 cm)
Overall Length	J	92.6"	(235 cm)
Machine Weight	M	1700 lbs	(771 kg)
Rootball Weight	W	6 ft ³	(0.17 m ³)
Rootball Volume	V	900 lbs	(408 kg)
Rootball Diameter 2	A2	32.5"	(83 cm)
Rootball Diameter 3	A3	28.7"	(73 cm)
Rootball Diameter 4	A4	24.9"	(63 cm)
Rootball Diameter 5	A5	21.1"	(53 cm)
Rootball Depth 2	B2	23.4"	(60 cm)
Rootball Depth 3	B3	20.3"	(52 cm)
Rootball Depth 4	B4	17.1"	(44 cm)
Rootball Depth 5	B5	14"	(36 cm)
Rootball Height Spacing	S	3.1"	(8 cm)

All specifications are approximate



Dutchman
INDUSTRIES INC.

www.dutchmantreespade.com

Contact:

905-683-8233

800-293-0070

info@dutchmantreespade.com