



Click Here To View
Item at

www.GapPower.com

*Sales • Rentals
Parts & Service*

E-ZLIFT 2" Belt Bucket Conveyor BB-050

Parts List & Schematic



Multilift, Inc.

Denver, CO USA

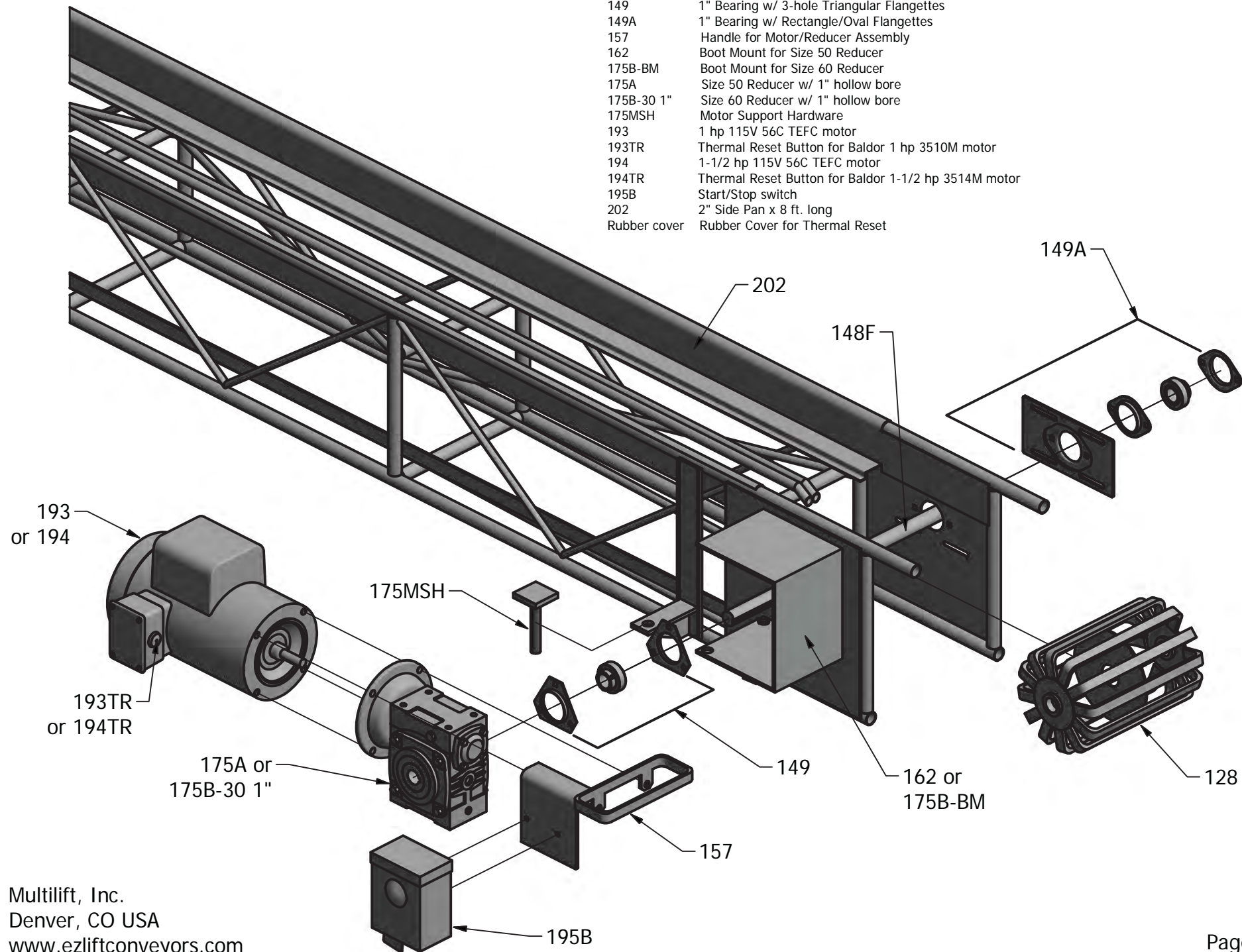
www.ezliftconveyors.com

North American Toll Free: 1-800-821-9966

Denver Local: 303-733-5533

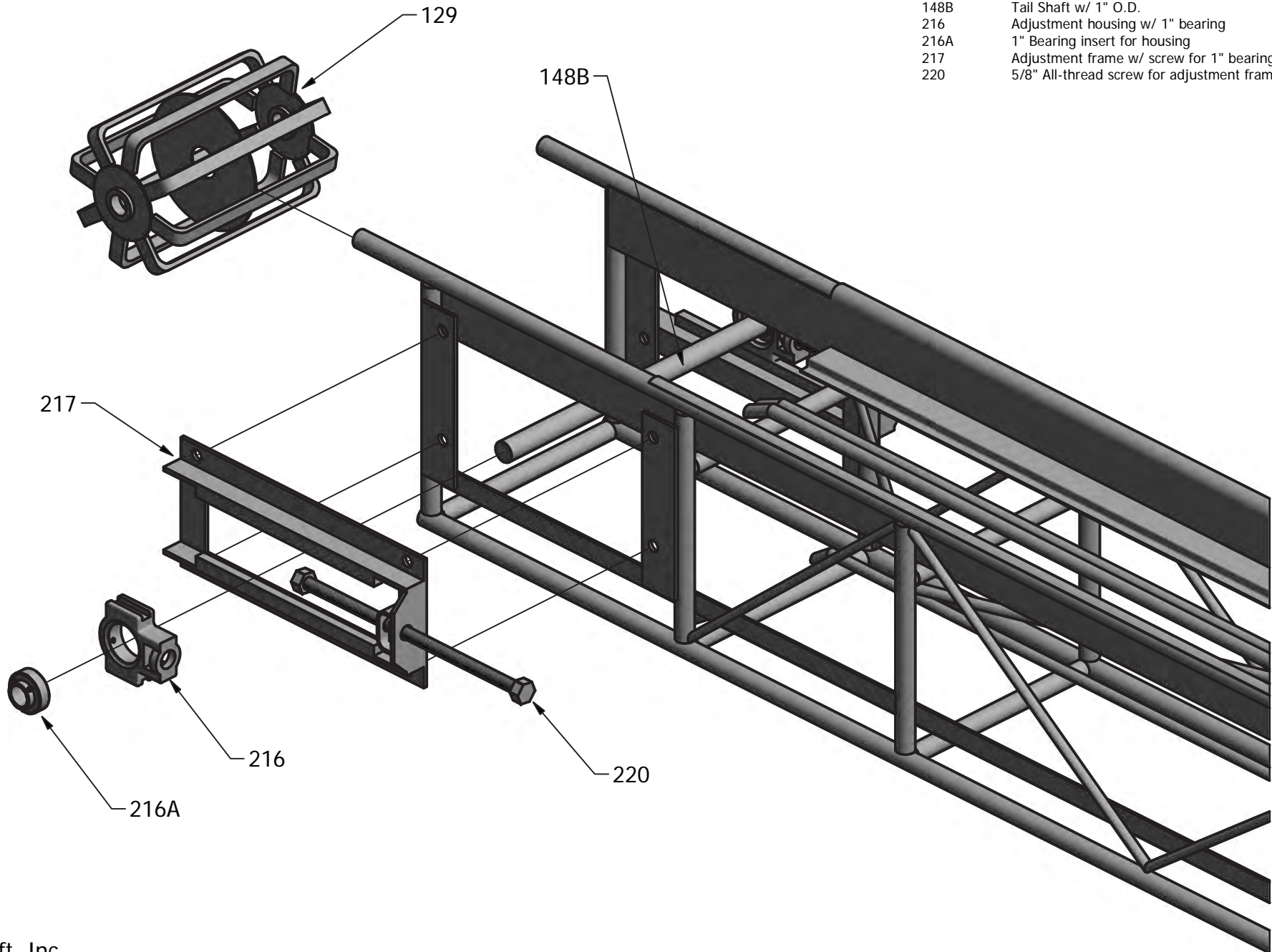
**Model BB-050
Driven End**

Part#	Description
128	Drive Pulley w/ 1" bore
148F	Drive Shaft w/ 1" O.D.
149	1" Bearing w/ 3-hole Triangular Flangettes
149A	1" Bearing w/ Rectangle/Oval Flangettes
157	Handle for Motor/Reducer Assembly
162	Boot Mount for Size 50 Reducer
175B-BM	Boot Mount for Size 60 Reducer
175A	Size 50 Reducer w/ 1" hollow bore
175B-30 1"	Size 60 Reducer w/ 1" hollow bore
175MSH	Motor Support Hardware
193	1 hp 115V 56C TEFC motor
193TR	Thermal Reset Button for Baldor 1 hp 3510M motor
194	1-1/2 hp 115V 56C TEFC motor
194TR	Thermal Reset Button for Baldor 1-1/2 hp 3514M motor
195B	Start/Stop switch
202	2" Side Pan x 8 ft. long
Rubber cover	Rubber Cover for Thermal Reset



Model BB-050
Idle End

Part#	Description
129	Tail Pulley w/ 1" bore
148B	Tail Shaft w/ 1" O.D.
216	Adjustment housing w/ 1" bearing
216A	1" Bearing insert for housing
217	Adjustment frame w/ screw for 1" bearing
220	5/8" All-thread screw for adjustment frame



E-ZLIFT 2" Belt Bucket Conveyor BB-050

Full Parts List Including Belting and Lacing

Part#	Description
128	Drive Pulley w/ 1" bore
148F	Drive Shaft w/ 1" O.D.
149	1" Bearing w/ 3-hole Triangular Flangettes
149A	1" Bearing w/ Rectangle/Oval Flangettes
157	Handle for Motor/Reducer Assembly
162	Boot Mount for Size 50 Reducer
175B-BM	Boot Mount for Size 60 Reducer
175A	Size 50 Reducer w/ 1" hollow bore
175B-30 1"	Size 60 Reducer w/ 1" hollow bore
175MSH	Motor Support Hardware
193	1 hp 115V 56C TEFC motor
193TR	Thermal Reset Button for Baldor 1 hp 3510M motor
194	1-1/2 hp 115V 56C TEFC motor
194TR	Thermal Reset Button for Baldor 1-1/2 hp 3514M motor
195B	Start/Stop switch
202	2" Side Pan x 8 ft. long
Rubber cover	Rubber Cover for Thermal Reset Button

Part#	Description
129	Tail Pulley w/ 1" bore
148B	Tail Shaft w/ 1" O.D.
216	Adjustment housing w/ 1" bearing
216A	1" Bearing insert for housing
217	Adjustment frame w/ screw for 1" bearing
220	5/8" All-thread screw for adjustment frame

Part#	Description
105	Bucket assembly
105A	2" belt strap for bucket
105B	Steel strap for bucket
222	10" wide belting / ft.
225-10	Set of #35 x 10" long Hammer-on Lacing
326-10	Set of #RS187 x 10" long Staple Lacing*

Complete Belt Assemblies w/ 2" Buckets	
Part#	Description
205-12	12 ft. #28 conveyor
205	16 ft. #30 conveyor
206	21 ft. #31 conveyor
207	26 ft. #33 conveyor
208	31 ft. #35 conveyor
209	36 ft. #37 conveyor

* requires #326-4 tool for assembly

