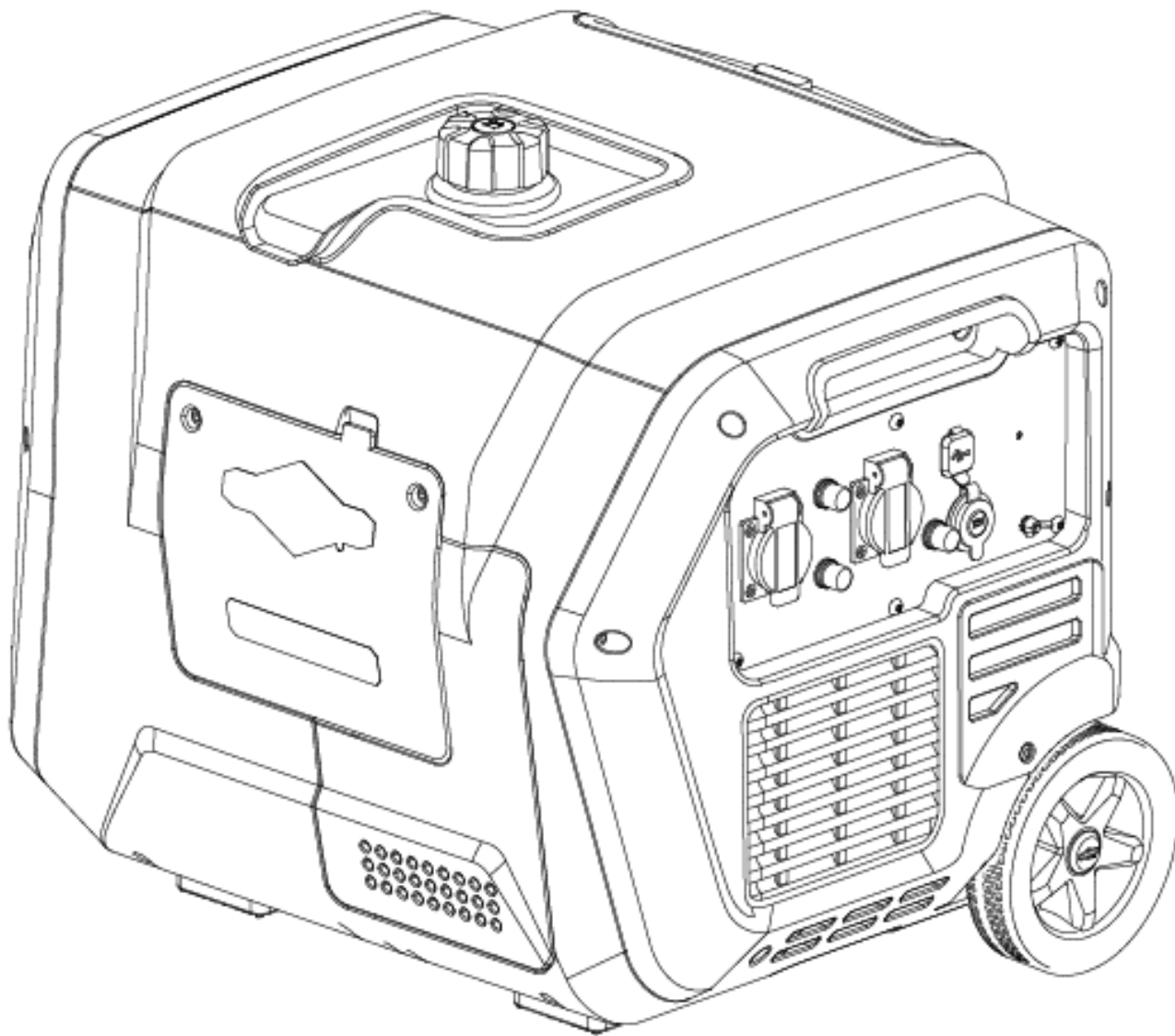




# Parts Manual

Mfg. No: 030806-00  
4,500 Watt Briggs & Stratton Inverter  
Generator, EU





---

<b>Model Components</b>	<b>Page</b>
Control Panel.....	4
Main Unit P1.....	6
Main Unit P2.....	8
Main Unit P3 Engine.....	10
Wiring Diagram.....	14
Torque Specification Chart.....	16

Not For  
Reproduction



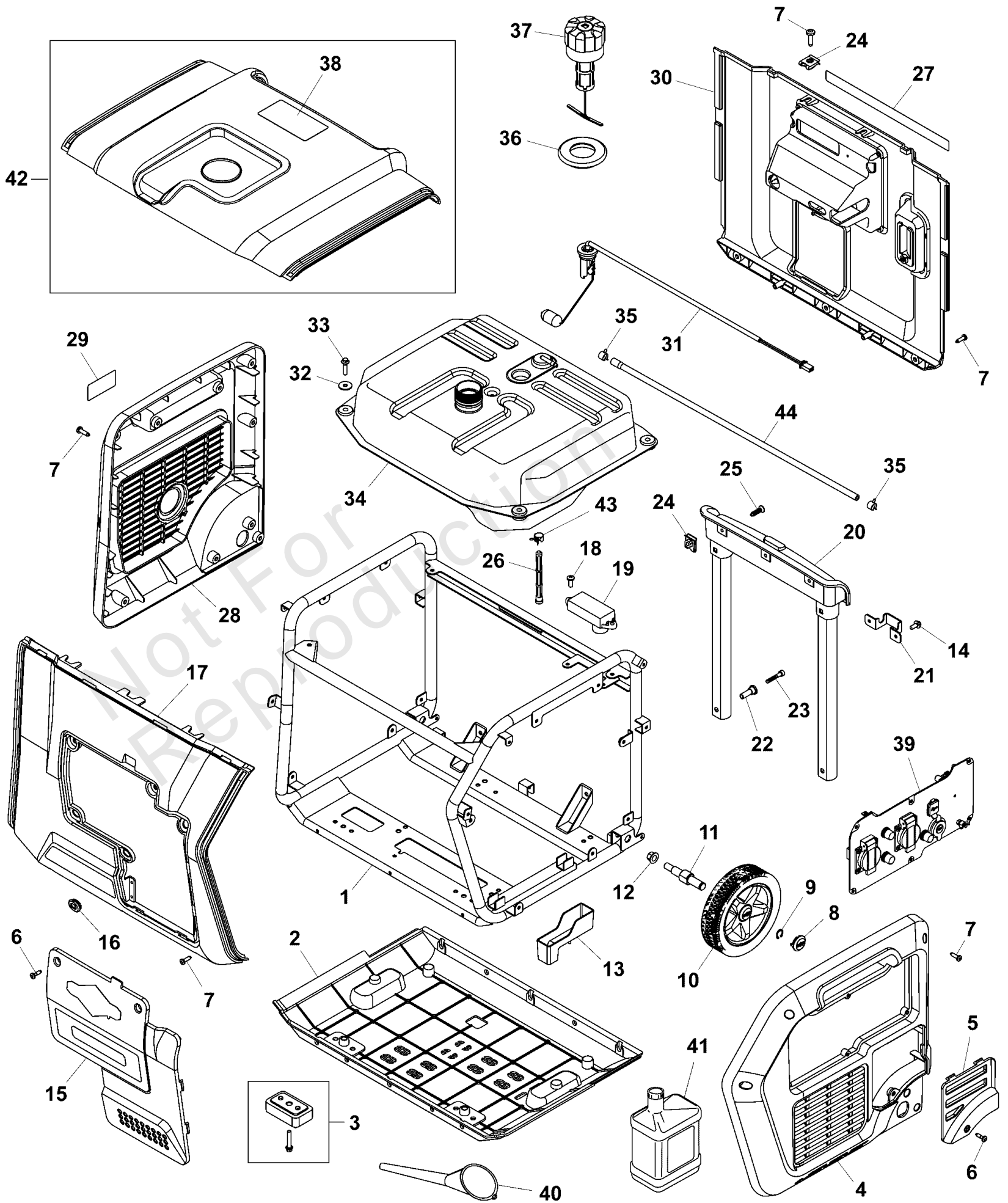
## Control Panel

REF NO	PART NO	QTY	DESCRIPTION
1	84005582	1	PANEL-CONTROL
2	316585GS	2	OUTLET
3	84005585	1	BREAKER-CIRCUIT, 16A
4	84005578	1	BREAKER-CIRCUIT, 5A
5	84005046	1	USB
6	84002981	1	COVER-USB
7	314531GS	1	OUTLET, 12VDC
8	772217	1	LIGHT-PIPE
9	84004007	1	MODULE-CO
10	795016	5	NUT
11	84001081	4	SCREW
12	84002980	1	BRACKET-CO
13	84003035	1	SCREW
14	84003038	1	NUT
15	84003039	1	WASHER-SERRATED
16	84003037	1	WASHER-FLAT
17	84003036	1	WASHER-LOCK
18	84002979	1	WING NUT
19	84005584	8	SCREW
20	84005436	8	NUT
21	84005581	8	WASHER-FLAT
22	84003033	4	SCREW

# Main Unit P1

Note: Unless noted otherwise, use the standard torque specifications

Mfg. No: 030806-00



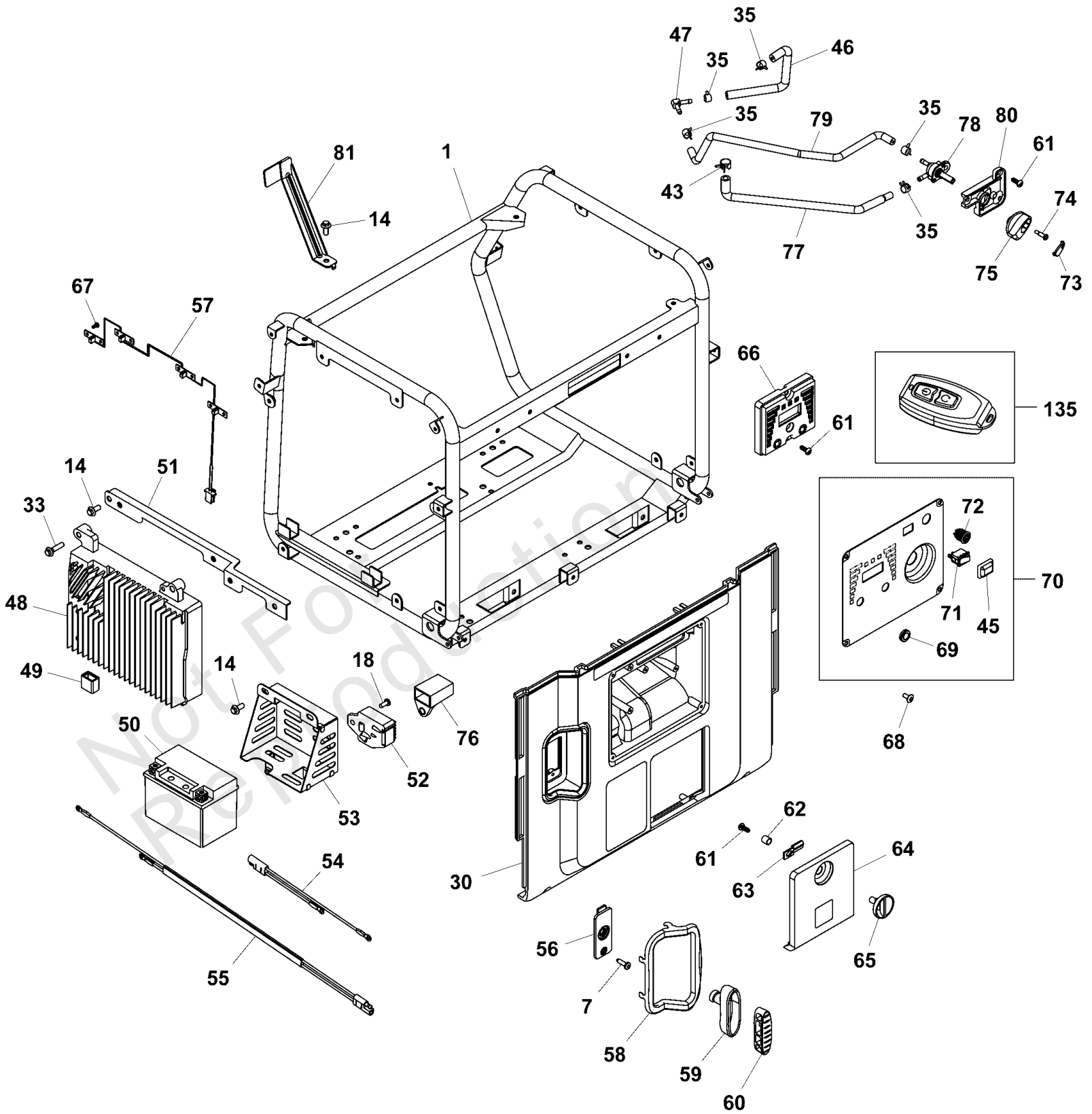
## Main Unit P1

REF NO	PART NO	QTY	DESCRIPTION
1	84005416	1	CRADLE
2	84002938	1	PANEL-BOTTOM
3	84002939	1	FOOT-RUBBER
4	84002911	1	PANEL-SIDE
5	84002974	1	PANEL-BATTERY
6	84002976	2	SCREW
7	84002910	5	SCREW
8	706065	2	HUBCAP
9	771593	2	E-RING
10	319940GS	2	WHEEL -(Includes Item 8)
11	84002909	2	AXLE
12	709938	2	NUT-M10 FLANGE LOCK
13	84002954	1	TRAP-DRAIN
14	706865	4	SCREW, M6 x 18
15	84002912	1	PANEL-ACCESS
16	84002917	5	GROMMET
17	84002916	1	PANEL-BACK
18	91526GS	2	MACHINE SCREW, Phillips Pn Hd
19	84002951	1	CONTROLLER-IGNITION
20	84002960	1	ASSY-HANDLE
21	84002968	2	BRACKET
22	84002969	2	BUSHING
23	191364GS	2	SCREW
24	84002982	2	NUT-SPECIAL
25	84002961	3	SCREW
26	707168	1	FILTER-FUEL TANK
27	84005484	1	DECAL
28	84005547	1	PANEL-MUFFLER -(Includes item 29)
29	84005478	1	DECAL
30	84005560	1	PANEL-FRONT -(Includes item 27)
31	84002946	1	GAUGE-FUEL
32	316506GS	4	WASHER-FLAT
33	706866	4	SCREW
34	84002947	1	TANK-FUEL -(Includes Item 26 & 31)
35	48031GGS	2	Clamp, Hose band
36	84002943	1	GROMMET-FUEL
37	84002942	1	CAP-FUEL
38	84005478	1	DECAL
39	84005551	1	ASSY-CONTROL PANEL
40	706357	1	FUNNEL
41	100005	1	OIL-4 CYCLE 30W 18OZ.
42	84005553	1	PANEL-TOP
43	84002949	2	CLAMP
44	84002948	1	HOSE, VAPOR

# Main Unit P2

Note: Unless noted otherwise, use the standard torque specifications

Mfg. No: 030806-00





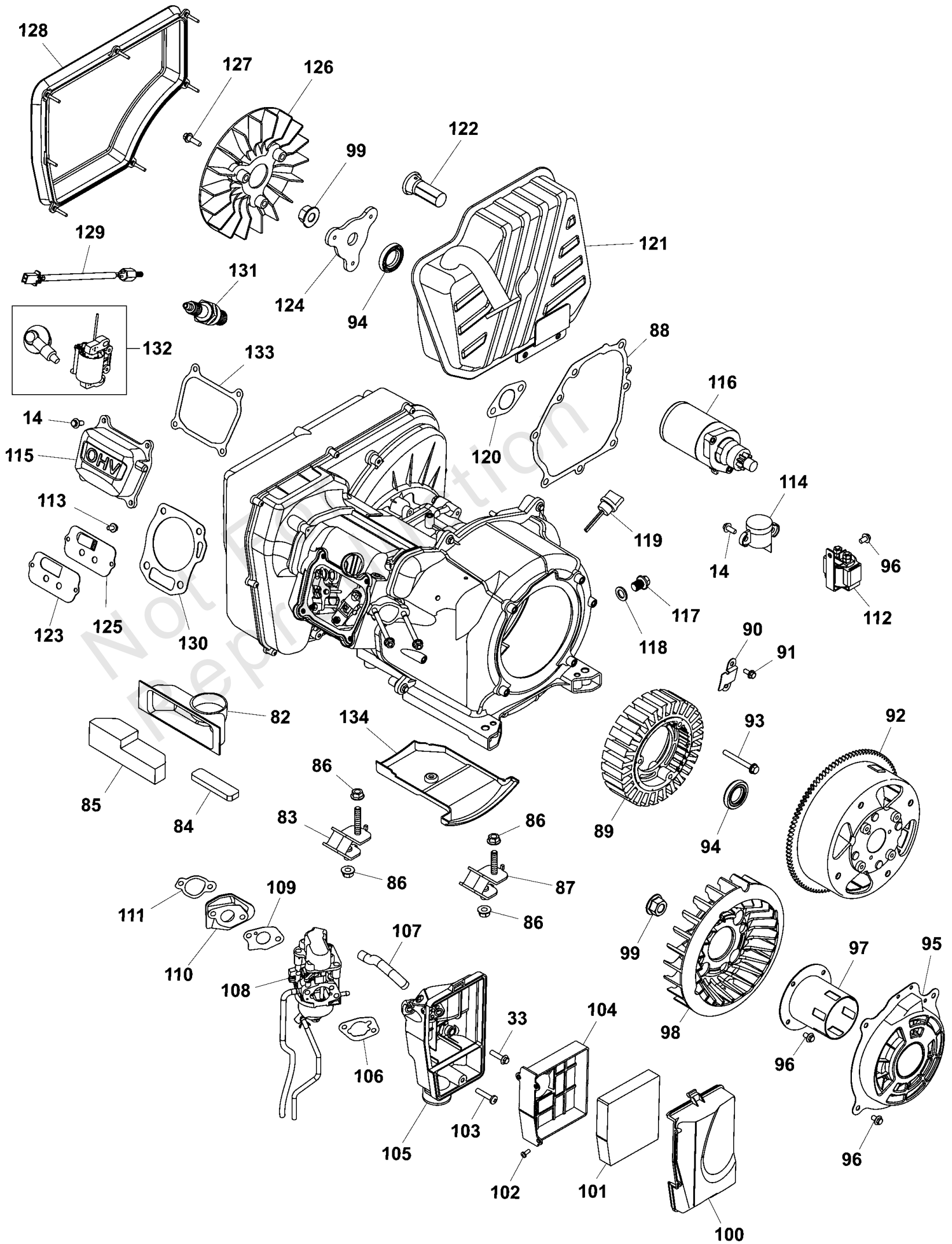
## Main Unit P2

REF NO	PART NO	QTY	DESCRIPTION
1	84005416	1	CRADLE
7	84002910	1	SCREW
14	706865	1	SCREW, M6 x 18
18	91526GS	2	MACHINE SCREW, Philips Pn Hd
30	84005560	1	PANEL-FRONT
33	706866	2	SCREW
35	48031GGS	5	Clamp, Hose band
43	84002949	1	CLAMP
45	84005434	1	COVER-RUBBER
46	84005425	1	HOSE-FUEL
47	84003045	1	CONNECTOR
48	84005466	1	CONTROLLER
49	84002919	2	FOOT-RUBBER
50	-----	1	BATTERY- LEOCH EBZ4.53 (4AH)
51	84002937	1	BRACKET-CONTROLLER
52	84005472	1	RECTIFIER
53	84002936	1	BRACKET-BATTERY
54	84002934	1	HARNESS-BATTERY
55	84002935	1	HARNESS-BATTERY
56	84002973	1	PANEL-RECOIL
57	84002921	1	ASSY-LED
58	84002972	1	COVER-ROPE
59	84002971	1	GRIP-RECOIL
60	311414GS	1	INSERT, Grip
61	84002962	2	SCREW
62	84002927	1	SLEEVE
63	84002928	1	LATCH-HOOK
64	84002929	1	COVER-OIL
65	84002930	1	KNOB
66	84005468	1	ASSY-GUAGE DISPLAY
67	197958GS	8	SCREW, Tapping, 3 x 6
68	84002923	4	SCREW
69	84002955	3	RUBBER-BUTTON
70	84005480	1	ASSY-PANEL DISPLAY
71	87799GS	1	SWITCH, Rocker On/Off
72	84002990	1	METAL-BUTTON
73	311377GS	1	COVER, Knob
74	84002926	1	SCREW
75	84002925	1	KNOB-FUEL VALVE
76	84005262	1	RECTIFIER
77	84002950	1	HOSE-FUEL
78	84002959	1	VALVE-FUEL
79	84002967	1	HOSE-FUEL
80	84002964	1	BRACKET
81	84002953	1	BRACKET-SUPPORT
135	84006175	1	FOB-KEY

# Main Unit P3 Engine

Note: Unless noted otherwise, use the standard torque specifications

Mfg. No: 030806-00



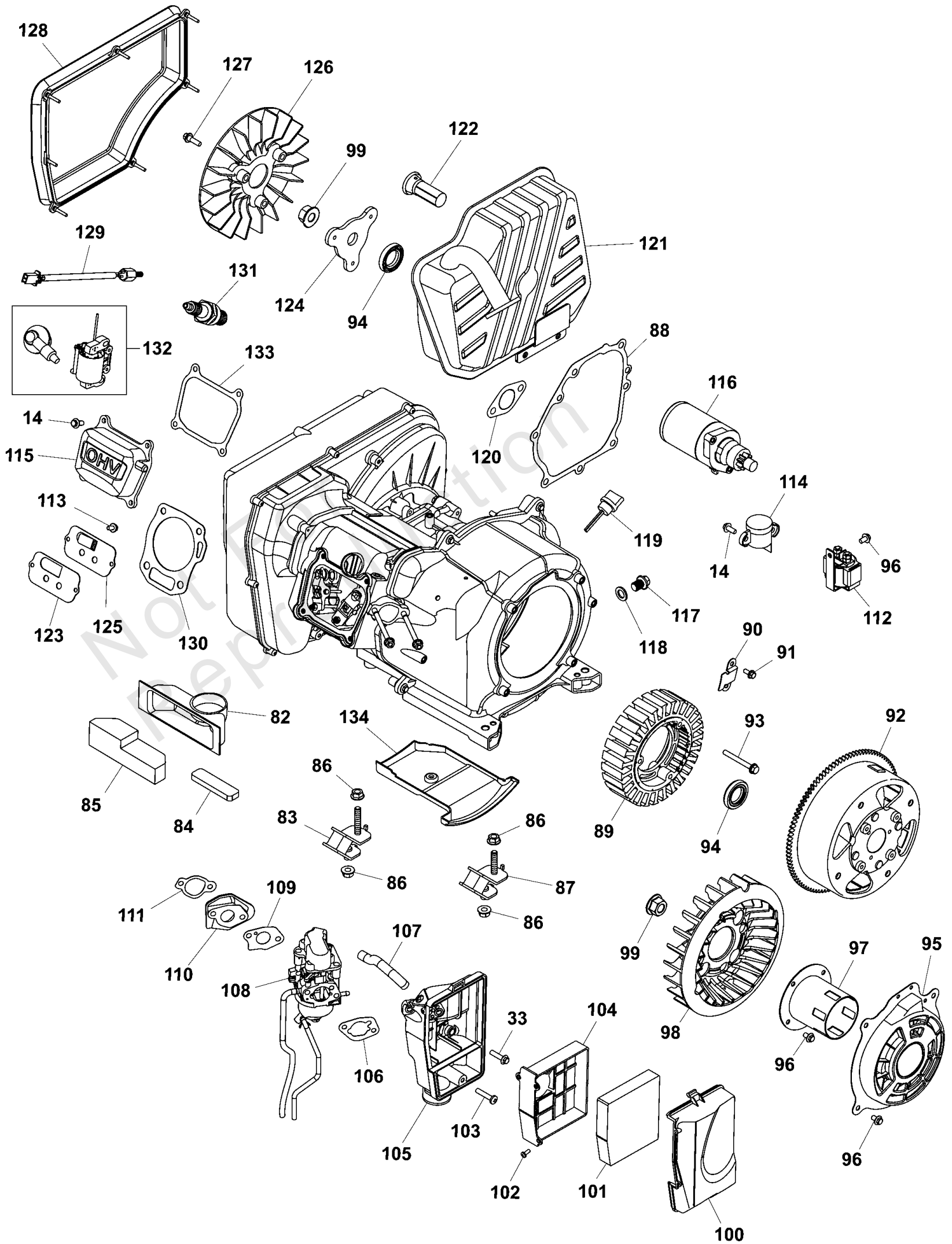
## Main Unit P3 Engine

REF NO	PART NO	QTY	DESCRIPTION
14	706865	4	SCREW, M6 x 18
33	706866	2	SCREW
82	84002914	1	BASE-AIR CLEANER
83	84002932	2	MOUNT-VIBRATION
84	84002915	1	SPONGE-RETENTION
85	84001981	1	AIR FILTER
86	67989GS	4	NUT, M8 Flange Serrated
87	84002931	2	MOUNT-VIBRATION
88	84002476	1	GASKET
89	84002477	1	STATOR
90	84002924	1	PLATE-PROTECTOR
91	207824GS	2	BOLT, M5 - 6 x 12
92	84002478	1	ROTOR
93	84002506	4	BOLT
94	84002505	1	SEAL
95	84002488	1	RECOIL
96	771769	4	SCREW
97	84002495	1	CUP-RECOIL
98	84002479	1	FAN-COOLING
99	84002502	4	NUT
100	84002510	1	COVER-AIR CLEANER
101	84001978	1	ELEMENT
102	75475GS	3	SCREW
103	21496GS	1	PPHMS, M6-1.0 X 30, ZP
104	84002511	1	FRAME-ELEMENT
105	84002509	1	BASE-AIR CLEANER
106	84002486	1	GASKET
107	84002493	1	HOSE-BREATHER
108	84002500	1	CARBURETOR
109	84002485	1	GASKET
110	84002480	1	INSULATOR
111	84002481	1	GASKET
112	84002499	1	RELAY
113	84002508	2	BOLT
114	84002492	1	SENSOR-LOW OIL
115	84002498	1	COVER-CYLINDER HEAD
116	84002489	1	STARTER MOTOR
117	84002504	1	BOLT-OIL DRAIN
118	84002503	1	WASHER
119	84002491	1	DIPSTICK-OIL
120	84002484	1	GASKET-EXHAUST
121	84002517	1	MUFFLER -(Includes Item 122)
122	703189	1	ARRESTOR-SPARK
123	84002515	1	GASKET
124	84002482	1	BRACKET
125	84002516	1	PLATE-VALVE
126	84002483	1	FAN-COOLING
127	84002514	3	BOLT
128	84002501	1	HOUSING
129	84002513	1	SENSOR-TEMPERATURE

# Main Unit P3 Engine

Note: Unless noted otherwise, use the standard torque specifications

Mfg. No: 030806-00



## Main Unit P3 Engine

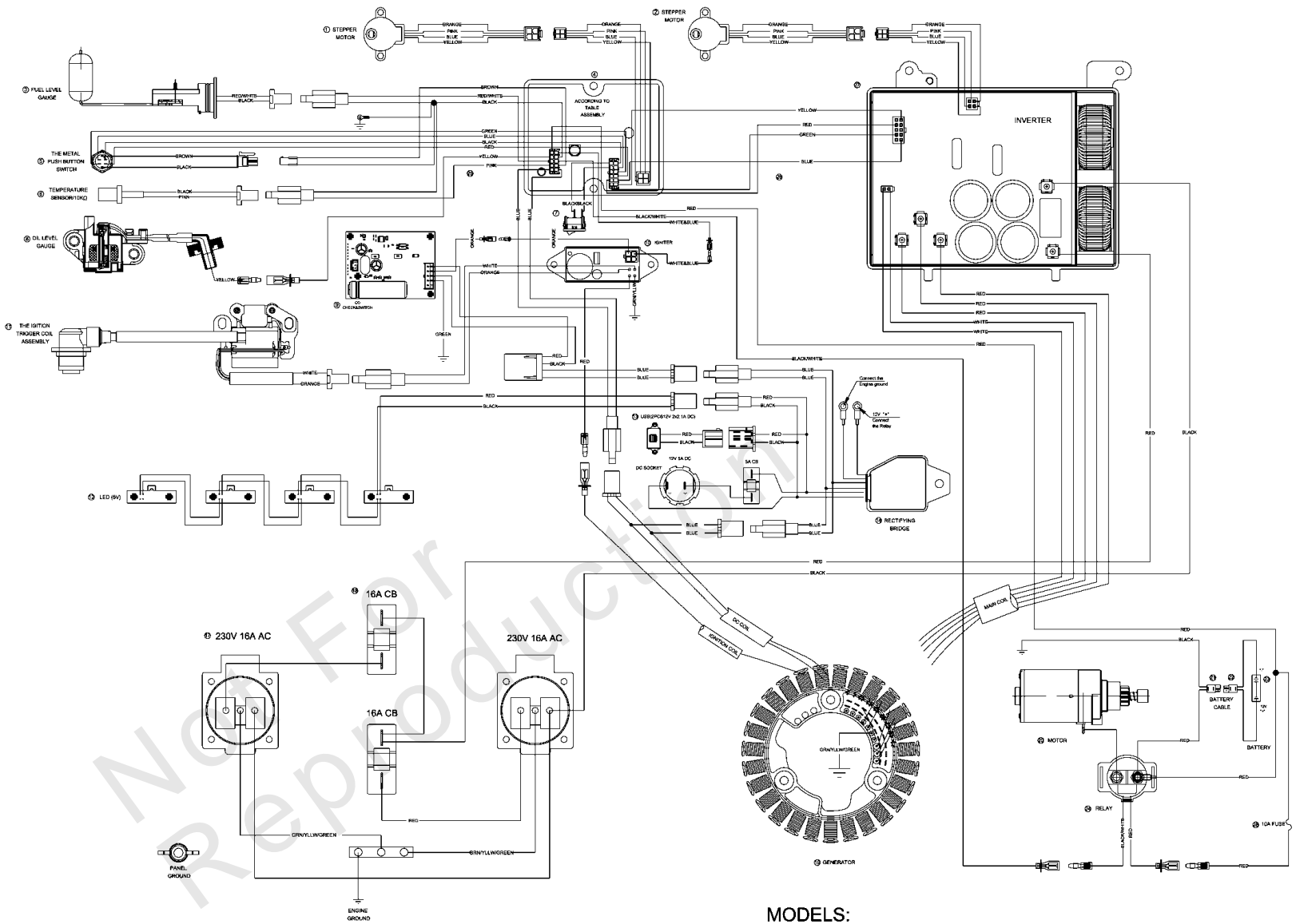
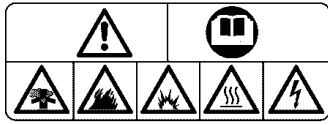
REF NO	PART NO	QTY	DESCRIPTION
130	84002507	1	GASKET-CYLINDER HEAD
131	84001980	1	SPARKPLUG
132	84002490	1	ASSY, COIL IGNITION
133	84002496	1	GASKET
134	84002487	1	COVER-SEAL BASE

Not For Reproduction

# Wiring Diagram

Note: Unless noted otherwise, use the standard torque specifications

Mfg. No: 030806-00



MODELS:  
P4500-030806

## Wiring Diagram

REF NO	PART NO	QTY	DESCRIPTION
--	----		Wiring Diagram only
--	----		WARNING - Generator Voltage Could Cause Electrical Shock or Burn Resulting in Death Or Serious Injury. To Avoid Electrical Shock Or Burn Hazard, Please Refer Service To Qualified Personnel.

Not For Reproduction

# Hardware Identification & Torque Specifications

Torque Specification Chart								
FOR STANDARD METRIC MACHINE HARDWARE (Tolerance ± 20%)								
Property Class	5.6		8.8		10.9		12.9	
	Class 5.6		Class 8.8		Class 10.9		Class 12.9	
Size Of Hardware	in/lbs	Nm.	in/lbs	Nm.	in/lbs	Nm.	in/lbs	Nm.
	ft/lbs		ft/lbs		ft/lbs		ft/lbs	
M3	5.88	.56	13.44	1.28	19.2	1.80	22.92	2.15
M4	13.44	1.28	30.72	2.90	43.44	4.10	52.56	4.95
M5	26.4	2.50	60.96	5.75	5.97	8.10	7.15	9.7
M6	44.64	4.3	7.3	9.9	10.3	14	12.1	16.5
M7	5.2	7.1	12.1	16.5	16.9	23	19.9	27
M8	7.7	10.5	17.7	24	25	34	29	40
M10	15	21	35	48	50	67	59	81
M12	26	36	61	83	86.2	117	103	140
M14	42	58	101	132	136	185	162	220
M16	64	88	147	200	210	285	250	340
M18	89	121	202	275	287	390	346	470
M20	126	171	290	390	405	550	486	660
M22	169	230	390	530	559	745	656	890
M24	217	295	497	375	708	960	840	1140
M27	320	435	733	995	1032	1400	1239	1680
M30	435	590	995	1350	1401	1900	1681	2280
M33	590	800	1349	1830	1902	2580	2278	3090
M36	759	1030	1740	2360	2441	3310	2935	3980
M39	988	1340	2249	3050	3163	4290	3798	5150

Torque Specification Chart						
FOR STANDARD MACHINE HARDWARE (Tolerance ± 20%)						
Hardware Grade	No Marks		SAE Grade 5		SAE Grade 8	
	SAE Grade 2		SAE Grade 5		SAE Grade 8	
Size Of Hardware	in/lbs	Nm.	in/lbs	Nm.	in/lbs	Nm.
	ft/lbs		ft/lbs		ft/lbs	
8-32	19	2.1	30	3.4	41	4.6
8-36	20	2.3	31	3.5	43	4.9
10-24	27	3.1	43	4.9	60	6.8
10-32	31	3.5	49	5.5	68	7.7
1/4-20	66	7.6	8	10.9	12	16.3
1/4-28	76	8.6	10	13.6	14	19.0
5/16-18	11	15.0	17	23.1	25	34.0
5/16-24	12	16.3	19	25.8	29	34.0
3/8-16	20	27.2	30	40.8	45	61.2
3/8-24	23	31.3	35	47.6	50	68.0
7/16-14	30	40.8	50	68.0	70	95.2
7/16-20	35	47.6	55	74.8	80	108.8
1/2-13	50	68.0	75	102.0	110	149.6
1/2-20	55	74.8	90	122.4	120	163.2
9/16-12	65	88.4	110	149.6	150	204.0
9/16-18	75	102.0	120	163.2	170	231.2
5/8-11	90	122.4	150	204.0	220	299.2
5/8-18	100	136	180	244.8	240	326.4
3/4-10	160	217.6	260	353.6	386	525.0
3/4-16	180	244.8	300	408.0	420	571.2
7/8-9	140	190.4	400	544.0	600	816.0
7/8-14	155	210.8	440	598.4	660	897.6
1-8	220	299.2	580	788.8	900	1,244.0
1-12	240	326.4	640	870.4	1,000	1,360.0

The guides and ruler furnished below are designed to help you select the appropriate hardware.



Nut, M8

Thread Diameter (mm)

Inside Diameter (in)      Threads per inch

Nut, 1/2-16



Screw, M8- 1.25 x 25

Thread Diameter (mm)      Distance between threads (mm)      Body Length (mm)

Body Diameter      Threads per inch      Body Length (in)

Screw, 1/2- 16 x 2



## Standard Hardware Sizing

When a washer or nut is identified as 1/2" (M8), this is the *Nominal size*, meaning the *inside diameter* is 1/2 inch (8mm metric thread diameter); if a second number is present it represents the *threads per inch* (distance between threads).

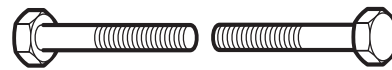
When bolt or capscrew is identified as 1/2 - 16 x 2" (M8 - 1.25 x 50), this means the *Nominal size*, or body diameter is 1/2 inch (8mm metric thread diameter), the second number, 16, represents the *threads per inch*, (*distance between threads*). The final number is the body length of the bolt or screw, 2 inches (50mm).

## NOTES

- These torque values are to be used for all hardware excluding: locknuts, self-tapping screws, thread forming screws, sheet metal screws and socket head setscrews.
- Recommended seating torque values for locknuts:
  - for prevailing torque locknuts - use 65% of grade 5 torques.
  - for flange whizlock nuts and screws - use 135% of grade 5 torques.
- Unless otherwise noted on assembly drawings, all torque values must meet this specification.

## Common Hardware Types

Hex Head Capscrew



Washer



Carriage Bolt



Hex Nut

## Wrench & Fastener Size Guide

1/4" Bolt or Nut Wrench—7/16"	5/16" Bolt or Nut Wrench—1/2"	3/8" Bolt or Nut Wrench—9/16"	7/16" Bolt or Nut Wrench (Bolt)—5/8" Wrench (Nut)—11/16"	1/2" Bolt or Nut Wrench—3/4"
M6 Bolt or Nut Wrench—10mm	M8 Bolt or Nut Wrench—13mm	M10 Bolt or Nut Wrench—17mm	M12 Bolt or Nut Wrench—19mm	M14 Bolt or Nut Wrench—22mm



