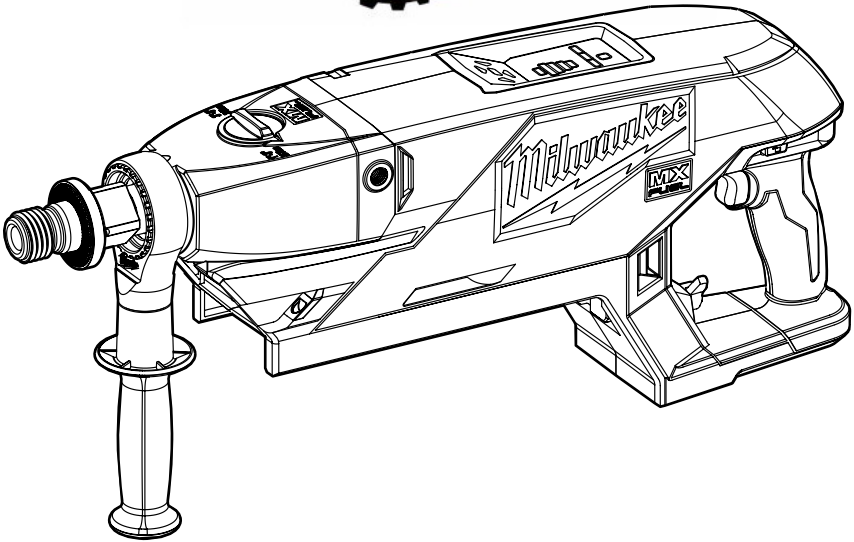




OPERATOR'S MANUAL  
MANUEL de L'UTILISATEUR  
MANUAL del OPERADOR



Cat. No. / No de cat.  
**MXF-301**

**MX FUEL™ HANDHELD CORE DRILL**  
**FORET À MAIN DE MX FUEL™**  
**TALADRO DE MANO DE MANO DE MX FUEL™**



**WARNING** To reduce the risk of injury, user must read and understand operator's manual.

**AVERTISSEMENT** Afin de réduire le risque de blessures, l'utilisateur doit lire et bien comprendre le manuel.

**ADVERTENCIA** Para reducir el riesgo de lesiones, el usuario debe leer y entender el manual.

## GENERAL POWER TOOL SAFETY WARNINGS

**WARNING** Read all safety warnings, instructions, illustrations and specifications provided with this power tool. Failure to follow all instructions listed below may result in electric shock, fire and/or serious injury. Save all warnings and instructions for future reference. The term "power tool" in the warnings refers to your mains-operated (corded) power tool or battery-operated (cordless) power tool.

### WORK AREA SAFETY

- Keep work area clean and well lit. Cluttered or dark areas invite accidents.
- Do not operate power tools in explosive atmospheres, such as in the presence of flammable liquids, gases or dust. Power tools create sparks which may ignite the dust or fumes.
- Keep children and bystanders away while operating a power tool. Distractions can cause you to lose control.

### ELECTRICAL SAFETY

- Power tool plugs must match the outlet. Never modify the plug in any way. Do not use any adapter plugs with earthed (grounded) power tools. Unmodified plugs and matching outlets will reduce risk of electric shock.
- Avoid body contact with earthed or grounded surfaces, such as pipes, radiators, ranges and refrigerators. There is an increased risk of electric shock if your body is earthed or grounded.
- Do not expose power tools to rain or wet conditions. Water entering a power tool will increase the risk of electric shock.
- Do not abuse the cord. Never use the cord for carrying, pulling or unplugging the power tool. Keep cord away from heat, oil, sharp edges or moving parts. Damaged or entangled cords increase the risk of electric shock.
- When operating a power tool outdoors, use an extension cord suitable for outdoor use. Use of a cord suitable for outdoor use reduces the risk of electric shock.
- If operating a power tool in a damp location is unavoidable, use a ground fault circuit interrupter (GFCI) protected supply. Use of an GFCI reduces the risk of electric shock.

### PERSONAL SAFETY

- Stay alert, watch what you are doing and use common sense when operating a power tool. Do not use a power tool while you are tired or under the influence of drugs, alcohol or medication. A moment of inattention while operating power tools may result in serious personal injury.
- Use personal protective equipment. Always wear eye protection. Protective equipment such as a dust mask, non-skid safety shoes, hard hat or hearing protection used for appropriate conditions will reduce personal injuries.
- Prevent unintentional starting. Ensure the switch is in the off-position before connecting to power source and/or battery pack, picking up or carrying the tool. Carrying power tools with your finger on the switch or energizing power tools that have the switch on invites accidents.
- Remove any adjusting key or wrench before turning the power tool on. A wrench or a key left

attached to a rotating part of the power tool may result in personal injury.

- Do not overreach. Keep proper footing and balance at all times. This enables better control of the power tool in unexpected situations.
- Dress properly. Do not wear loose clothing or jewelry. Keep your hair and clothing away from moving parts. Loose clothes, jewelry or long hair can be caught in moving parts.
- If devices are provided for the connection of dust extraction and collection facilities, ensure these are connected and properly used. Use of dust collection can reduce dust-related hazards.
- Do not let familiarity gained from frequent use of tools allow you to become complacent and ignore tool safety principles. A careless action can cause severe injury within a fraction of a second.

### POWER TOOL USE AND CARE

- Do not force the power tool. Use the correct power tool for your application. The correct power tool will do the job better and safer at the rate for which it was designed.
- Do not use the power tool if the switch does not turn it on and off. Any power tool that cannot be controlled with the switch is dangerous and must be repaired.
- Disconnect the plug from the power source and/or remove the battery pack, if detachable, from the power tool before making any adjustments, changing accessories, or storing power tools. Such preventive safety measures reduce the risk of starting the power tool accidentally.
- Store idle power tools out of the reach of children and do not allow persons unfamiliar with the power tool or these instructions to operate the power tool. Power tools are dangerous in the hands of untrained users.
- Maintain power tools and accessories. Check for misalignment or binding of moving parts, breakage of parts and any other condition that may affect the power tool's operation. If damaged, have the power tool repaired before use. Many accidents are caused by poorly maintained power tools.
- Keep cutting tools sharp and clean. Properly maintained cutting tools with sharp cutting edges are less likely to bind and are easier to control.
- Use the power tool, accessories and tool bits etc. in accordance with these instructions, taking into account the working conditions and the work to be performed. Use of the power tool for operations different from those intended could result in a hazardous situation.
- Keep handles and grasping surfaces dry, clean and free from oil and grease. Slippery handles and grasping surfaces do not allow for safe handling and control of the tool in unexpected situations.

### BATTERY TOOL USE AND CARE

- Recharge only with the charger specified by the manufacturer. A charger that is suitable for one type of battery pack may create a risk of fire when used with another battery pack.
- Use power tools only with specifically designated battery packs. Use of any other battery packs may create a risk of injury and fire.
- When battery pack is not in use, keep it away from other metal objects, like paper clips, coins, keys, nails, screws or other small metal objects,

that can make a connection from one terminal to another. Shorting the battery terminals together may cause burns or a fire.

- **Under abusive conditions, liquid may be ejected from the battery; avoid contact. If contact accidentally occurs, flush with water. If liquid contacts eyes, additionally seek medical help.** Liquid ejected from the battery may cause irritation or burns.
- **Do not use a battery pack or tool that is damaged or modified.** Damaged or modified batteries may exhibit unpredictable behavior resulting in fire, explosion or risk of injury.
- **Do not expose a battery pack or tool to fire or excessive temperature.** Exposure to fire or temperature above 265°F (130°C) may cause explosion.
- **Follow all charging instructions and do not charge the battery pack or tool outside the temperature range specified in the instructions.** Charging improperly or at temperatures outside the specified range may damage the battery and increase the risk of fire.

## SERVICE

- **Have your power tool serviced by a qualified repair person using only identical replacement parts.** This will ensure that the safety of the power tool is maintained.
- **Never service damaged battery packs.** Service of battery packs should only be performed by the manufacturer or authorized service providers.

## SPECIFIC SAFETY RULES FOR CORE DRILL

Safety instructions for all operations

- **Use the auxiliary handle(s).** Loss of control can cause personal injury.
- **Brace the tool properly before use.** This tool produces a high output torque and without properly bracing the tool before operation, loss of control may occur resulting in personal injury.
- **Hold the power tool by insulated gripping surfaces, when performing an operation where the cutting accessory or fasteners may contact hidden wiring.** Cutting accessory or fasteners contacting a “live” wire may make exposed metal parts of the power tool “live” and could give the operator an electric shock.

Safety instructions when using long drill bits

- **Never operate at higher speed than the maximum speed rating of the drill bit.** At higher speeds, the bit is likely to bend if allowed to rotate freely without contacting the workpiece, resulting in personal injury.
- **Always start drilling at low speed and with the bit tip in contact with the workpiece.** At higher speeds, the bit is likely to bend if allowed to rotate freely without contacting the workpiece, resulting in personal injury.
- **Apply pressure only in direct line with the bit and do not apply excessive pressure.** Bits can bend causing breakage or loss of control, resulting in personal injury.

## SPECIFIC SAFETY RULES FOR CORE STANDS

Diamond drill safety warnings

- **When performing drilling that requires the use of water, route the water away from the operator’s work area or use a liquid collection device.** Such precautionary measures keep the operator’s work area dry and reduce the risk of electrical shock.

- **Operate power tool by insulated grasping surfaces, when performing an operation where the cutting accessory may contact hidden wiring or its own cord.** Cutting accessory contacting a “live” wire may make exposed metal parts of the power tool “live” and could give the operator an electric shock.

- **Wear hearing protection when diamond drilling.** Exposure to noise can cause hearing loss.

- **When the bit is jammed, stop applying downward pressure and turn off the tool.** Investigate and take corrective actions to eliminate the cause of the bit jamming.

- **When restarting a diamond drill in the workpiece check that the bit rotates freely before starting.** If the bit is jammed, it may not start, may overload the tool, or may cause the diamond drill to release from the workpiece.

- **When securing the drill stand with anchors and fasteners to the workpiece, ensure that the anchoring used is capable of holding and restraining the machine during use.** If the workpiece is weak or porous, the anchor may pull out causing the drill stand to release from the workpiece.

- **When securing the drill stand with a vacuum pad to the workpiece, install the pad on a smooth, clean, non-porous surface. Do not secure to laminated surfaces such as tiles and composite coating.** If the workpiece is not smooth, flat or well affixed, the pad may pull away from the workpiece.

- **Ensure there is sufficient vacuum before and during drilling.** If the vacuum is insufficient, the pad may release from the workpiece.

- **Never perform drilling with the machine secured by the vacuum pad only, except when drilling downwards.** If the vacuum is lost, the pad will release from the workpiece.

- **When drilling through walls or ceilings, ensure to protect persons and the work area on the other side.** The bit may extend through the hole or the core may fall out on the other side.

- **Do not use this tool for overhead drilling with water supply.** Water entering the power tool will increase the risk of electric shock.

## ADDITIONAL SPECIFIC SAFETY RULES

- **Maintain tools carefully.** Keep handles dry, clean and free from oil and grease. Keep cutting edges sharp and clean. Follow instructions for lubricating and changing accessories. Periodically inspect tool cords and extension cords and batteries for damage. Have damaged parts repaired or replaced by a MILWAUKEE service facility.

- **WARNING** To reduce the risk of injury, when working in dusty situations, wear appropriate respiratory protection or use an OSHA compliant dust extraction solution.

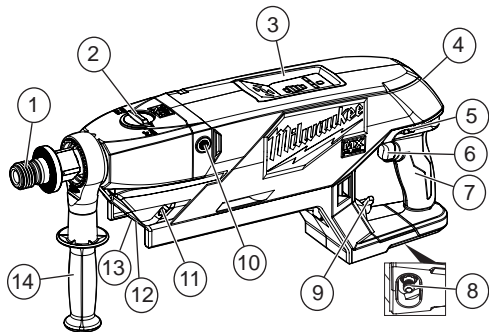
- **Always use common sense and be cautious when using tools.** It is not possible to anticipate every situation that could result in a dangerous outcome. Do not use this tool if you do not understand these operating instructions or you feel the work is beyond your capability; contact Milwaukee Tool or a trained professional for additional information or training.

- **Maintain labels and nameplates.** These carry important information. If unreadable or missing, contact a MILWAUKEE service facility for a free replacement.

- ⚠ WARNING** Some dust created by power sanding, sawing, grinding, drilling, and other construction activities contains chemicals known to cause cancer, birth defects or other reproductive harm. Some examples of these chemicals are:
- lead from lead-based paint
  - crystalline silica from bricks and cement and other masonry products, and
  - arsenic and chromium from chemically-treated lumber.

Your risk from these exposures varies, depending on how often you do this type of work. To reduce your exposure to these chemicals: work in a well ventilated area, and work with approved safety equipment, such as those dust masks that are specially designed to filter out microscopic particles.

## FUNCTIONAL DESCRIPTION



- |                   |                           |
|-------------------|---------------------------|
| 1. Spindle        | 8. Water quick connect    |
| 2. Speed selector | 9. Water valve            |
| 3. Command Center | 10. Side handle locations |
| 4. Arm button     | 11. Worklight             |
| 5. Trigger Lock   | 12. Battery latch lock    |
| 6. Trigger        | 13. Battery latch lever   |
| 7. Handle         | 14. Side handle           |

## SYMBOLOLOGY

**V** Volts

**---** Direct Current

**n<sub>0</sub> XXXX min<sup>-1</sup>** No Load Revolutions per Minute (RPM)



**⚠ CAUTION** Risk of Electric Shock



Read operator's manual



Always wear eye protection. Use appropriate hearing and respiratory protection.



UL Listing for Canada and U.S.

## SPECIFICATIONS

Cat. No. .... MXF301-0  
 Battery Type ..... MX FUEL™  
 Charger Type ..... MX FUEL™  
 Recommended Ambient  
 Operating Temperature ..... 0°F to 125°F  
 No Load RPM ..... 0 - 800 / 0 - 1600  
 Max. Bit Capacity ..... 6"  
 Spindle Thread ..... 1-1/4" - 7  
 5/8"-11 Spindle Adapter ..... 48-17-6005  
 Max. Inlet Pressure ..... 90 psi

## ASSEMBLY

**⚠ WARNING** Recharge only with the charger specified for the battery. For specific charging instructions, read the operator's manual supplied with your charger and battery.

### Removing/Inserting the Battery

To **remove** the battery, push the battery latch lock to the side and squeeze the battery latch lever. Pull the battery pack away from the machine.

**⚠ WARNING** Always remove battery pack before changing or removing accessories.

To **insert** the battery, slide the pack into the body of the machine. Make sure it latches securely into place.

**⚠ WARNING** Only use accessories specifically recommended for this machine. Others may be hazardous.

### Selecting and Installing a Core Bit

MILWAUKEE offers core bits that are designed to cut through a variety of materials including poured concrete, steel-reinforced concrete, and prestressed concrete. Select the proper style and size bit for the job. Always use clean, sharp, and properly maintained bits. Use core drill bits with a 1-1/4"-7 thread. Bits with a 5/8"-11 thread can be used with adapter 48-17-6005.

1. To **install** the bit, remove the battery pack.
2. Thread the bit securely onto the spindle.
3. Grip collar tightly (by hand or with a 1-1/4" open end or adjustable wrench) and tighten the bit securely.
4. To **remove** bit, remove the battery pack.
5. Place a 1-1/4" open end or adjustable wrench on the collar, and a 1-3/4" or adjustable wrench on the bit.
6. Hold the collar wrench securely while using the bit wrench to loosen the bit.

### Diamond Core Bits

The following conditions can greatly influence diamond core performance:

- Amount of water
- RPM of core drill motor
- Bit runout
- Amount of steel
- Size of embedded steel
- Age of concrete
- Aggregate (size, type, hardness, abrasiveness)
- Type of sand—manufactured vs. river (natural)
- Operator technique
- Operator care
- Feed pressure applied to bit by operator
- Core Drill Stand rigidity and condition

### To extend core bit life:

- Choose the right bit for the job. Take into account the size, aggregate, sand, etc.
- When using a new bit, use light feed pressure for the first 2 or 3 holes, so the new diamond gradually breaks in.
- Feed bits very slowly onto the work surface. Use light feed pressure until the bit crown has penetrated or "seated" into the material.
- If the core bit encounters embedded steel, slow down the feed pressure and let the bit core at its own pace. Don't force the bit. Typically, the water around the bit will clear when embedded steel is encountered.
- Minimize all vibration. Slow the feed rate when necessary. Vibration will cause severe diamond breakage or pullout.
- Use sharp bits.

**▲WARNING** To reduce the risk of injury, when working in dusty situations, wear appropriate respiratory protection or use an OSHA compliant dust extraction solution.

When drilling with water, route the water away from the work area or use a liquid collection device to keep work area dry and reduce the risk of electrical shock. Do not allow water to flow inside machine or battery pack.

### Water Supply

Water provides several benefits during coring:

- Water acts as a coolant, eliminating the heat caused by the friction of the coring action. This preserves the integrity of the diamonds, the bond matrix, the segment solder, and core tube. Without a coolant, the heat buildup during coring can cause all of these components to fail.
- Water flushes loose, abrasive particles created during coring. These particles consist of aggregate, sand, diamond particles and various metals from embedded steel and the core bit matrix. The hole must be free of debris to allow the core bit to work. If loose particles are not properly flushed from the hole, an unnecessary drag will occur along the side of the core barrel. This can contribute to bit glazing through lack of power as well as motor damage through amperage increases due to bit resistance. In addition, loose particles tend to wear the bit tube, which can eventually result in the loss of segments.
- Water keeps dust down and makes for a cleaner, healthier workplace. **WARNING!** Always use an OSHA compliant dust extraction solution.

To prevent visible dust, an adequate supply of water must flow freely and constantly during the entire cut. These core drills have a built-in water system to allow water to flow down the inside and up around the outside of the bit. **WARNING!** When drilling with water, route the water away from the work area or use a liquid collection device to keep work area dry and reduce the risk of electrical shock.

1. Use only clean water at less than 90 psi.
2. Connect a standard quick-connect fitting to a garden hose and snap it onto the core drill's fitting.
3. Do not use hoses that are distorted, worn or damaged.
4. Use the water valve to turn the water supply on and off when coring.

**▲WARNING** To reduce the risk of injury, always use a side handle during handheld operations. Always brace or hold securely. Ensure side handle is tightened securely before each use. Always be prepared for bit binding and core drill reaction.

### Adjusting the Side Handle

The side handle can be used at the front of the machine in any orientation, or mid-machine in one of the side handle locations.

To install the side handle on the core drill collar:

1. Loosen the side handle grip until the side handle ring can be pushed onto the core drill collar.
2. Position the side handle as desired.
3. Rotate collar slightly to ensure the detent snaps into place.
4. Hand tighten the side handle grip securely.

To install the side handle into a side handle location:

1. Unscrew the side handle grip completely from the side handle ring.
2. Select the desired side handle location and thread-in the side handle grip.
3. Hand tighten the side handle grip securely.

### Mounting the Core Drill to a Stand

**▲WARNING** Always remove battery pack before installing the core drill on a stand.

1. Install the core drill onto the stand according to the core drill stand instructions. MILWAUKEE recommends using a MILWAUKEE Core Drill stand (Cat. No. 3000) with this machine. A MILWAUKEE MX FUEL™ Core Drill adapter (Cat. No. 49-67-0105) is available for securing this core drill to older styles of MILWAUKEE core stands.
2. After the core drill is mounted, ensure the carrier is rigid against the mast. A loose carrier can allow the core drill or bit to wobbling during coring. Wiggle the core drill front to back and side to side. If it moves, adjust according to the core drill stand instructions.
3. Before use, secure the core drill and stand using a vacuum pad, expansion bolts, or other recommended method. **WARNING!** Do not rely on the weight of the stand, shoring pin alone, or body weight on the stand for securing during use. The stand will rotate and cause injury.
4. To remove core drill, disconnect according to the core drill stand instructions.

## OPERATION

### Selecting Speed

Select the speed according to the bit diameter and materials. Only change speeds when core drill is stopped.

Select **3"-6"** for low speed, which is appropriate for those core bit sizes and for cutting through rods, deep holes, and hard aggregate.

Select **1"-3"** for high speed, which is appropriate for those core bit sizes and for cutting in softer materials.

### Locking the Trigger

To **lock** the trigger, slide the trigger lock to the locked position.

To **unlock** the trigger, slide the trigger lock to the unlocked position.

The trigger will not work when the trigger lock is in the locked position.

Always lock the trigger and unarm the machine or remove the battery pack before performing maintenance, changing accessories, storing the machine, and any time the machine is not in use.

### Command Center

The command center provides feedback during coring, allowing you to help prevent motor overload and premature bit wear.

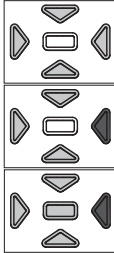
### Digital Level

Use the digital level to ensure the hole is level throughout the operation. Use the digital level to properly align the core drill during handheld use, or when installing into a core drill stand. The four red arrow LEDs indicate where the machine is off of level and the direction the machine handle needs to be moved to become level. The center white LED indicates the machine is level.

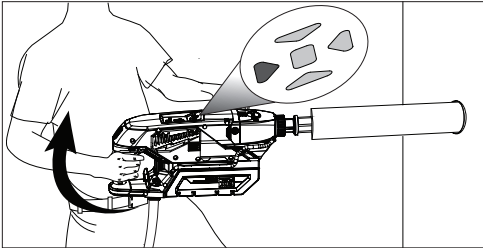
- When level, the center White LED will light up (<1.5° off of level).

- When "slightly" off level, the center White LED and the Red LED associated with the direction off of level will light up (1.5° - 2.7° off of level).

- When "very" off level, the Red LED associated with the direction off of level will light up (>2.7° off of level).



During Horizontal drilling, the left and right arrows are not used.



### Performance Indicator

The performance indicator provides pressure feedback. The LEDs will light up one by one as pressure is applied to the bit. Increase or decrease pressure on the bit to reach the green "Ideal Pressure".

**NOTE:** Green "Ideal Pressure" is best obtained using a core drill stand. Most handheld applications will result in yellow "OK" or green "Good" pressures.

When using new diamond bits, follow manufacturer's instructions for breaking them in (see "Diamond Core Bits").

After the bits have been broken in, low feed pressure will polish diamonds, slows penetration and contributes to bit glazing. High feed pressure can overload the core drill motor or can cause diamonds to pull out prematurely, particularly when coring embedded steel. Make the bit work, but do not try to jam the bit through the material.

### Fuel Gauge

When the machine is armed, the Fuel Gauge displays the battery pack's remaining run time. The fuel gauge mirrors the fuel gauge on the battery pack. When less than 10% of charge is left, 1 light on the fuel gauge will flash. When the battery reaches 0% charge, the fuel gauge will flash 8 times. Charge the battery pack.

10-32%

32-55%

55-77%

77-100%

Less than 10% if first light flashes 4 times

### ONE-KEY™

To learn more about the ONE-KEY™ functionality for this machine, please refer to the quick reference included with this machine or go to [milwaukeeetool.com/One-Key](http://milwaukeeetool.com/One-Key). To download the ONE-KEY™ app, visit the App Store or Google Play from your smart device.

#### ONE-KEY™ Indicator

Solid Blue	Wireless mode is active and ready to be configured via the ONE-KEY™ app.
Blinking Blue	Machine is actively communicating with the ONE-KEY™ app.
Blinking Red	Machine is in security lockout and can be unlocked by the owner via the ONE-KEY™ app.

-RED-  
LESS  
PRESSURE

-GREEN-  
IDEAL PRESSURE  
(STANDS)

-GREEN-  
GOOD PRESSURE

-YELLOW-  
OK PRESSURE

-YELLOW-  
MORE  
PRESSURE

**⚠WARNING** To reduce the risk of injury, always check the work area for hidden wires before coring.

Always wear proper eye protection marked to comply with ANSI Z87.1.

When working in dusty situations, wear appropriate respiratory protection or use an OSHA compliant dust extraction solution.

When drilling with water, route the water away from the work area or use a liquid collection device to keep work area dry and reduce the risk of electrical shock. Do not allow water to flow inside machine or battery pack.

Use extreme care when drilling through floors. Provide for protection of all personnel and material below the area. Cores generally drop from bit at the completion of the hole.

To reduce the risk of injury, always use a side handle during handheld operations. Always brace or hold securely. Ensure side handle is tightened securely before each use. Always be prepared for bit binding and core drill reaction.


### Arming the Machine


The MX FUEL™ machines must be armed prior to use. Even with the battery pack inserted, the trigger and machine functions will not operate until the machine is armed.

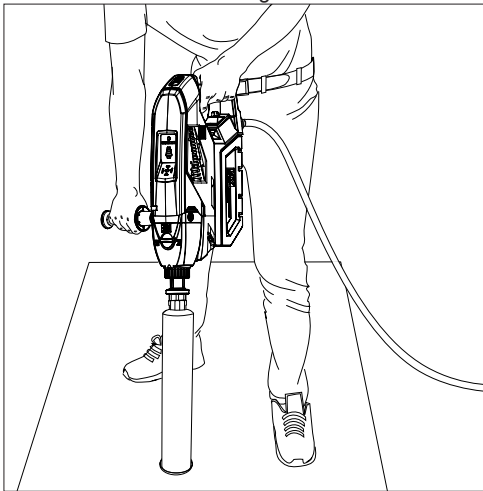
To arm the machine:

1. Insert the battery pack.
2. Press the Arm button. The MX FUEL™ icon will light. The trigger will become armed in 2 seconds.
3. After 15 minutes of inactivity, the machine will enter sleep mode. The MX FUEL™ icon will go off and the trigger and LEDs are un-operational.
4. Press and hold the Arm button for 1 second to reactivate the machine.
5. Press and hold the ARM button for 1 second to unarm (turn off) the machine. The MX FUEL™ icon will go off.

### Handheld Core Drilling

1. Install the bit and select the speed.
2. Insert the battery pack.
3. Arm the machine.
4. Start the flow of water to the bit by opening the water valve. **WARNING!** When drilling with water, route the water away from the work area or use a liquid collection device to keep work area dry and reduce the risk of electrical shock.
5. Press the trigger lock to the unlocked  position.
6. Grasp the handles firmly and align the bit.
7. Use the digital level to ensure the core drill is level throughout the cut.
8. To **start** the machine, pull the trigger.  
**NOTE:** A worklight is turned on when the trigger is pulled.
9. Feed bits very slowly into the work surface. Use light feed pressure until the bit crown has penetrated or "seated" into the material.
10. Once the bit is "seated", use the Performance Indicator to determine if proper pressure is being used throughout the cut. Increase or decrease pressure as needed. Too much pressure will slow the bit and reduce drilling efficiency; reduce pressure slightly to allow the bit to regain speed. Too little pressure will cause the bit to slide over the work area and dull the point of the bit.
11. To **vary** the speed, increase or decrease the pressure on the trigger. The further the trigger is pulled, the greater the speed.



12. Monitor the water flow. Adjust the water valve so the water return is a muddy, solid color. Clear water or clear streaks indicate too much water volume and will reduce bit life. Adequate water volume varies according to the bit diameter. Use only enough water during coring to flush the cuttings from the work surface.
13. To **stop** the machine, remove the bit from the hole and release the trigger. Make sure the bit comes to a complete stop before laying down the machine.
14. If the bit binds, release the trigger and wait for the bit to stop completely. Free the bit from the workpiece.
15. Press the trigger lock to the locked  position.
16. Close the water valve.
17. Press the arm button to turn off the machine.
18. See "Retrieving Cores and Deep Coring" for instructions on removing cores.



### Core Drilling on a Stand

**⚠WARNING** To reduce the risk of injury, do not core unless the proper vacuum has been achieved when the stand is secured with a vacuum system.

1. Install the core drill onto the stand according to the core drill stand instructions (see "Mounting the Core Drill to a Stand").
2. Secure the stand to the work surface according to the core drill stand instructions. **WARNING!** Do not rely on the weight of the stand, shoring pin alone, or body weight on the stand for securing during use. The stand will rotate and cause injury.
3. Use the digital level to ensure the core drill is level.
4. Install the bit and select the speed.
5. Insert the trigger lock-on (optional) but do NOT engage the trigger.
6. When using a vacuum system, follow the manufacturer's instructions. **WARNING!** Do not core unless the proper vacuum has been achieved. Always monitor the vacuum gauge during coring.
7. Insert the battery pack.
8. Arm the machine.
9. Start the flow of water to the bit by opening the water valve. **WARNING!** When drilling with water, route the water away from the work area or use a liquid collection device to keep work area dry and reduce the risk of electrical shock.

10. Press the trigger lock to the unlocked  position.
11. Use the digital level to ensure the core drill is level throughout the cut.
12. To **start**, pull the trigger. Rotate the trigger lock-on to engage the trigger.  
**NOTE:** A worklight is turned on when the trigger is pulled.
13. Feed bits very slowly into the work surface. Use light feed pressure until the bit crown has penetrated or "seated" into the material.
14. Once the bit is "seated", use the Performance Indicator to determine if proper pressure is being used throughout the cut. Increase or decrease pressure as needed. Too much pressure will slow the bit and reduce drilling efficiency; reduce pressure slightly to allow the bit to regain speed. Too little pressure will cause the bit to slide over the work area and dull the point of the bit.
15. To **vary** the speed, increase or decrease the pressure on the trigger. The further the trigger is pulled, the greater the speed.
16. Monitor the water flow. Adjust the water valve so the water return is a muddy, solid color. Clear water or clear streaks indicate too much water volume and will reduce bit life. Adequate water volume varies according to the bit diameter. Use only enough water during coring to flush the cuttings from the work surface.
17. When the cut is complete, raise the bit from the cut.
18. To **stop** the machine, remove the bit from the hole and release the trigger. When using the trigger lock-on, rotate it to disengage the trigger. Make sure the bit comes to a complete stop before laying down the machine.
19. If the bit binds, release the trigger and wait for the bit to stop completely. Free the bit from the workpiece.
20. Press the trigger lock to the locked  position.
21. Close the water valve.
22. Press the arm button to turn off the machine.
23. See "Retrieving Cores and Deep Coring" for instructions on removing cores.

### Retrieving Cores and Deep Coring

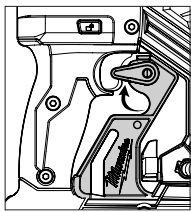
When coring holes that are deeper than the core bit:

1. Core the hole. Once the maximum depth has been cut, remove the bit from the hole and stop the machine.
2. Remove the core by driving a chisel or slender wedge into the cut between the core and the work surface. Other items, such as core tongs, bent wire or anchor bolts can also be used to remove the core. Removing cores with diameters greater than twice their length can be difficult. One method is to first break the core into smaller pieces and then remove the pieces.
3. Reinstall the bit using a bit extension, if necessary, and continue coring.

### Troubleshooting

#### Vibration

1. Stop drilling.
2. Turn core drill off.
3. Remove battery.



4. Check for loose nuts and bolts. Tighten if required.
5. Check for excessive bit runout. Replace if required. If vibration continues to occur, remove the core and loose material. If vibration continues to occur after attempting these measures, return the rig to the nearest MILWAUKEE service facility.

#### Bit Binding

Bit binding is caused by one of two things: a dull (glazed) bit or a poorly stabilized stand.

Causes of bit glazing:

- Wrong RPM for bit diameter
- High feed pressure
- Low feed pressure
- High steel content in work surface
- Large, hard aggregate
- Too much water
- Low motor power

A sharp bit typically has good diamond exposure and will cut/grind almost anything in its path, including embedded steel.

### MAINTENANCE

**WARNING** To reduce the risk of injury, always unplug the charger and remove the battery pack from the charger or machine before performing any maintenance. Never disassemble the machine, battery pack or charger. Contact a MILWAUKEE service facility for ALL repairs.

#### Maintaining Machine

Keep your machine, battery pack and charger in good repair by adopting a regular maintenance program. Inspect your machine for issues such as undue noise, misalignment or binding of moving parts, breakage of parts, or any other condition that may affect the machine operation. Return the machine, battery pack, and charger to a MILWAUKEE service facility for repair. After six months to one year, depending on use, return the machine, battery pack and charger to a MILWAUKEE service facility for inspection.

If the machine does not start or operate at full power with a fully charged battery pack, clean the contacts on the battery pack. If the machine still does not work properly, return the machine, charger and battery pack, to a MILWAUKEE service facility for repairs.

#### ONE-KEY™

**WARNING** Chemical Burn Hazard. This device contains a lithium button/coin cell battery. A new or used battery can cause severe internal burns and lead to death in as little as 2 hours if swallowed or enters the body. Always secure the battery cover. If it does not close securely, stop using the device, remove the batteries, and keep it away from children. If you think batteries may have been swallowed or entered the body, seek immediate medical attention.



#### Internal Battery

An internal battery is used to facilitate full ONE-KEY™ functionality.

If the Mode Indicator LED turns off and the machine cannot adjust speed, or if the Bluetooth communication stops working, remove and reinsert the coin cell battery to reset. Replace the battery if the problem continues.

To replace the battery:

1. Remove the battery pack.
2. Remove the screw(s) and open the battery door.
3. Remove the old battery, keep it away from children, and dispose of it properly.



4. Insert the new battery (3V CR2032), with the positive side facing up.
5. Close the battery door and tighten the screw(s) securely.

**⚠WARNING** To reduce the risk of personal injury, electric shock and damage, never immerse your machine in liquid or allow a liquid to flow inside it.

### Cleaning

Clean dust and debris from vents. Keep handles clean, dry and free of oil or grease. Use only mild soap and a damp cloth to clean, since certain cleaning agents and solvents are harmful to plastics and other insulated parts. Some of these include gasoline, turpentine, lacquer thinner, paint thinner, chlorinated cleaning solvents, ammonia and household detergents containing ammonia. Never use flammable or combustible solvents around machines.

### Cleaning the Battery and Battery Bay

Keep battery connections and surfaces between the machine and battery free of debris and materials. Failure to keep surfaces clean may result in misalignment and/or damage to the battery connection.

### Repairs

For repairs, return the machine to the nearest service center.

## ACCESSORIES

**⚠WARNING** Use only recommended accessories. Others may be hazardous.

For a complete listing of accessories, go online to [www.milwaukeeetool.com](http://www.milwaukeeetool.com) or contact a distributor.

## SERVICE - UNITED STATES

**1-800-SAWDUST** (1.800.729.3878)

Monday-Friday, 7:00 AM - 6:30 PM CST

or visit [www.milwaukeeetool.com](http://www.milwaukeeetool.com)

Contact Corporate After Sales Service Technical Support with technical, service/repair, or warranty questions.

Email: [metproductsupport@milwaukeeetool.com](mailto:metproductsupport@milwaukeeetool.com)

Become a Heavy Duty Club Member at [www.milwaukeeetool.com](http://www.milwaukeeetool.com) to receive important notifications regarding your tool purchases.

## SERVICE - CANADA

**Milwaukee Tool (Canada) Ltd**

**1.800.268.4015**

Monday-Friday, 7:00 AM - 4:30 PM CST

or visit [www.milwaukeeetool.ca](http://www.milwaukeeetool.ca)

## LIMITED WARRANTY USA & CANADA

Every MILWAUKEE MX FUEL™ Product, battery pack, and charger is warranted to the original purchaser only to be free from defects in material and workmanship. Subject to certain exceptions, MILWAUKEE will repair or replace a MX FUEL™ product, battery pack, or charger which, after examination, is determined by MILWAUKEE to be defective in material or workmanship for a period of two (2) years after the date of purchase. Return of the MX FUEL™ product, battery pack, or charger to a MILWAUKEE factory Service Center location or MILWAUKEE Authorized Service Station, freight prepaid and insured, is required. For the proper shipping procedure of battery packs, contact 1.800.SAWDUST (1.800.729.3878), or go to [www.milwaukeeetool.com](http://www.milwaukeeetool.com). A copy of the proof of purchase should be included with the return product. This warranty does not apply to damage that MILWAUKEE determines to be from repairs made or attempted by anyone other than MILWAUKEE authorized personnel, misuse, alterations, abuse, normal wear and tear, lack of maintenance, or accidents.

Normal Wear: Many MX FUEL™ products need periodic parts replacement and service to achieve best performance. This warranty does not cover repair when normal use has exhausted the life of a part including, but not limited to, assist & drive belts, pulleys, blade flanges, vacuum gaskets, tool free handles, set pins, skis, drive couplers, rubber boots, auto feed, stabilize blocks, wheels, carrier wheels, cords, o-rings, seals, bumpers, driver blades, pistons, strikers, lifters, tool holder, and bumper cover washers.

Warranty Registration is not necessary to obtain the applicable warranty on a MX FUEL™ product, battery pack, or charger.

ACCEPTANCE OF THE EXCLUSIVE REPAIR AND REPLACEMENT REMEDIES DESCRIBED HEREIN IS A CONDITION OF THE CONTRACT FOR THE PURCHASE OF EVERY MILWAUKEE PRODUCT. IF YOU DO NOT AGREE TO THIS CONDITION, YOU SHOULD NOT PURCHASE THE PRODUCT. IN NO EVENT SHALL MILWAUKEE BE LIABLE FOR ANY INCIDENTAL, SPECIAL, CONSEQUENTIAL OR PUNITIVE DAMAGES, OR FOR ANY COSTS, ATTORNEY FEES, EXPENSES, LOSSES OR DELAYS ALLEGED TO BE AS A CONSEQUENCE OF ANY DAMAGE TO, FAILURE OF, OR DEFECT IN ANY PRODUCT INCLUDING, BUT NOT LIMITED TO, ANY CLAIMS FOR LOSS OF PROFITS. SOME STATES DO NOT ALLOW THE EXCLUSION OR LIMITATION OF INCIDENTAL OR CONSEQUENTIAL DAMAGES, SO THE ABOVE LIMITATION OR EXCLUSION MAY NOT APPLY TO YOU. THIS WARRANTY IS EXCLUSIVE AND IN LIEU OF ALL OTHER EXPRESS WARRANTIES, WRITTEN OR ORAL. TO THE EXTENT PERMITTED BY LAW, MILWAUKEE DISCLAIMS ANY IMPLIED WARRANTIES, INCLUDING WITHOUT LIMITATION ANY IMPLIED WARRANTY OF MERCHANTABILITY OR FITNESS FOR A PARTICULAR USE OR PURPOSE. TO THE EXTENT SUCH DISCLAIMER IS NOT PERMITTED BY LAW, SUCH IMPLIED WARRANTIES ARE LIMITED TO THE DURATION OF THE APPLICABLE EXPRESS WARRANTY AS DESCRIBED ABOVE. SOME STATES DO NOT ALLOW LIMITATIONS ON HOW LONG AN IMPLIED WARRANTY LASTS, SO THE ABOVE LIMITATION MAY NOT APPLY TO YOU. THIS WARRANTY GIVES YOU SPECIFIC LEGAL RIGHTS, AND YOU MAY ALSO HAVE OTHER RIGHTS WHICH VARY FROM STATE TO STATE.

This warranty applies to product sold in the U.S.A. and Canada only. Please consult the 'Service Center Search' in the Parts & Service section of MILWAUKEE's website [www.milwaukeeetool.com](http://www.milwaukeeetool.com) or call 1.800.SAWDUST (1.800.729.3878) to locate your nearest service facility for warranty and non-warranty service on a MX FUEL™ product, battery pack or charger.

## LIMITED WARRANTY - MEXICO, CENTRAL AMERICA & CARIBBEAN

TECHTRONIC INDUSTRIES' warranty is for 2 years since the original purchase date.

This warranty card covers any defect in material and workmanship on this Product.

To make this warranty valid, present this warranty card, sealed/stamped by the distributor or store where you purchased the product, to the Authorized Service Center (ASC). Or, if this card has not been sealed/stamped, present the original proof of purchase to the ASC. Call 55 4160-3547 to find the nearest ASC, for service, parts, accessories or components.

### Procedure to make this warranty valid

Take the product to the ASC, along with the warranty card sealed/stamped by the distributor or store where you purchased the product, and any faulty piece or component will be replaced without cost for you. We will cover all freight costs relative with this warranty process.

### Exceptions

This warranty is not valid in the following situations

- a) When the product is used in a different manner from the end-user guide or instruction manual.
- b) When the conditions of use are not normal.
- c) When the product was modified or repaired by people not authorized by TECHTRONIC INDUSTRIES.

**Note:** If cord set is damaged, it should be replaced by an Authorized Service Center to avoid electric risks.

SERVICE AND ATTENTION CENTER  
Call to 55 4160-3547

IMPORTED AND COMMERCIALIZED BY  
TECHTRONIC INDUSTRIES MEXICO, S.A. DE C.V.  
Miguel de Cervantes Saavedra No.301 Piso 5, Torre Norte  
11520 Colonia Ampliación Granada  
Miguel Hidalgo, Ciudad de Mexico, Mexico

**Model:** \_\_\_\_\_

**Date of Purchase:** \_\_\_\_\_

**Distributor or Store Stamp:** \_\_\_\_\_

## RÈGLES DE SÉCURITÉ GÉNÉRALES RELATIVES AUX OUTILS ÉLECTRIQUES

**⚠ AVERTISSEMENT** Lire toutes les consignes de sécurité, consignes, illustrations et spécifications fournies avec cet outil électrique. Ne pas suivre l'ensemble des règles et instructions peut entraîner une électrocution, un incendie ou des blessures graves. **Conserver les règles et les instructions à des fins de référence ultérieure.** Le terme «outil électrique» figurant dans les avertissements ci-dessous renvoie à l'outil électrique à alimentation par le réseau (à cordon) ou par batterie (sans fil).

### SÉCURITÉ DU LIEU DE TRAVAIL

- **Veillez à ce que l'aire de travail soit propre et bien éclairée.** Le désordre et le manque de lumière favorisent les accidents.
- **Ne pas utiliser d'outils électriques dans des atmosphères explosives, par exemple en présence de liquides, gaz ou poussières inflammables.** Les outils électriques produisent des étincelles risquant d'enflammer les poussières ou vapeurs.
- **S'assurer que les enfants et le curieux se trouvent à une bonne distance au moment d'utiliser un outil électrique.** Les distractions peuvent causer une perte de contrôle.

### SÉCURITÉ ÉLECTRIQUE

- **Les fiches des outils électriques doivent correspondre à la prise secteur utilisée. Ne jamais modifier la fiche, de quelque façon que ce soit. Ne jamais utiliser d'adaptateurs de fiche avec des outils mis à la terre.** Les fiches et prises non modifiées réduisent le risque de choc électrique.
- **Éviter tout contact avec des surfaces mises à la terre comme des tuyaux, des radiateurs, des cuisinières et des réfrigérateurs.** Le risque de choc électrique est accru lorsque le corps est mis à la terre.
- **Ne pas exposer les outils électriques à l'eau ou l'humidité.** La pénétration d'eau dans ces outils accroît le risque de choc électrique.
- **Ne pas maltraiter le cordon d'alimentation. Ne jamais utiliser le cordon d'alimentation pour transporter l'outil électrique et ne jamais débrancher ce dernier en tirant sur le cordon. Garder le cordon à l'écart de la chaleur, de l'huile, des objets tranchants et des pièces en mouvement.** Un cordon endommagé ou emmêlé accroît le risque de choc électrique.
- **Pour les travaux à l'extérieur, utiliser un cordon spécialement conçu à cet effet.** Utiliser un cordon conçu pour l'usage extérieur réduit les risques de choc électrique.
- **Si l'utilisation d'un outil électrique est inévitable dans un endroit humide, utiliser une source d'alimentation munie d'un disjoncteur de fuite de terre.** L'utilisation d'un disjoncteur de fuite de terre réduit le risque de choc électrique.

### SÉCURITÉ INDIVIDUELLE

- **Rester attentif, prêter attention au travail et faire preuve de bon sens lors de l'utilisation de tout outil électrique. Ne pas utiliser cet appareil en cas de fatigue ou sous l'influence de l'alcool, de drogues ou de médicaments.** Un moment d'inattention pendant l'utilisation d'un outil électrique peut entraîner des blessures graves.
- **Porter l'équipement de protection individuel requis. Toujours porter une protection oculaire.**

Selon les conditions, porter aussi un masque anti-poussières, des bottes de sécurité antidérapantes, un casque protecteur ou une protection auditive afin de réduire les blessures.

- **Empêcher les démarrages accidentels. S'assurer que la gâchette est en position d'arrêt avant de brancher l'outil à une source de courant, d'insérer la batterie, de le ramasser ou de le transporter.** Le fait de transporter un outil électrique en gardant le doigt sur la gâchette ou de mettre sous tension un outil électrique lorsque la gâchette est en position de marche favorise les accidents.
- **Retirer les clés de réglage avant de mettre l'outil en marche.** Une clé laissée sur une pièce rotative de l'outil peut causer des blessures.
- **Ne pas travailler hors de portée. Toujours se tenir bien campé et en équilibre.** Une bonne stabilité procure un meilleur contrôle de l'outil électrique en cas d'imprévu.
- **Porter une tenue appropriée. Ne porter ni vêtements amples, ni bijoux. Garder les cheveux et les vêtements à l'écart des pièces en mouvement.** Les vêtements flottants, les bijoux ou les cheveux longs risquent d'être happés par les pièces en mouvement.
- **Si les outils sont équipés de dispositifs de dépoussiérage, s'assurer qu'ils sont connectés et correctement utilisés.** L'utilisation d'un collecteur de poussière permet de réduire les dangers liés à la poussière.
- **Ne pas laisser la familiarité avec l'outil acquise par une utilisation fréquente vous rendre suffisant et vous amener à ignorer les règles de sécurité.** Une utilisation négligée peut causer une blessure grave en une fraction de seconde.

### UTILISATION ET ENTRETIEN DE L'OUTIL ÉLECTRIQUE

- **Ne pas forcer l'outil électrique. Utiliser l'outil électrique approprié pour l'application.** Un outil électrique approprié exécutera le travail mieux et de façon moins dangereuse s'il est utilisé dans les limites prévues.
- **Ne pas utiliser l'outil électrique si le commutateur ne permet pas de le mettre en marche ou de l'arrêter.** Tout outil électrique qui ne peut pas être contrôlé par son commutateur est dangereux et doit être réparé.
- **Débrancher l'outil et/ou retirer le bloc-piles, si possible, avant d'effectuer des réglages, de changer d'accessoire ou de remiser l'outil.** Ces mesures de sécurité préventives réduisent les risques de démarrage accidentel de l'outil.
- **Entreposer l'outil électrique hors de la portée des enfants et interdire à quiconque de l'utiliser si la personne ne connaît pas bien le produit ou les instructions.** Les outils électriques sont dangereux dans les mains d'utilisateurs novices.
- **Entretien des outils électriques et les accessoires. Vérifier qu'aucune pièce mobile n'est mal alignée ou bloquée, qu'aucune pièce n'est brisée et s'assurer qu'aucun autre problème risque d'affecter le bon fonctionnement de l'outil. En cas de dommages, faire réparer l'outil avant de l'utiliser.** Plusieurs accidents sont causés par des produits mal entretenus.
- **Garder les outils bien affûtés et propres.** Des outils correctement entretenus et dont les tranchants sont bien affûtés risquent moins de se bloquer et sont plus faciles à contrôler.

- **Utiliser l'outil électrique, les accessoires, les embouts etc. conformément à ces instructions en tenant compte des conditions de travail et de la tâche à effectuer.** L'usage d'un outil électrique pour des applications pour lesquelles il n'est pas conçu peut être dangereux.
- **Garder les poignées et les surfaces de préhension sèches, propres et exemptes d'huile ou de graisse.** Des poignées et des surfaces de préhension glissantes ne permettent pas de manipuler et de contrôler l'outil en toute sécurité en cas de situation imprévue.

## UTILISATION ET ENTRETIEN DE LA BATTERIE

- **Pour recharger le bloc-piles, utiliser seulement le chargeur spécifié par le fabricant.** Un chargeur pouvant convenir à un type de bloc-piles peut entraîner un risque d'incendie lorsqu'il est utilisé avec un autre type de bloc-piles.
- **N'utiliser l'outil électrique qu'avec une batterie recommandée.** L'utilisation de tout autre bloc-piles peut créer un risque de blessures et d'incendie.
- **Lorsque le bloc-piles n'est pas utilisé, le tenir éloigné des objets en métal tels que les trombones, les pièces de monnaie, les clés, les clous, les vis ou d'autres petits objets métalliques qui pourraient connecter les bornes.** Le court-circuitage des bornes d'une pile peut entraîner des brûlures ou un incendie.
- **Éviter tout contact avec le liquide pouvant être éjecté de la pile en cas de manutention abusive. En cas de contact accidentel, rincer immédiatement les parties atteintes avec de l'eau. Si le liquide entre en contact avec les yeux, consulter un médecin.** Le liquide éjecté des piles peut causer des irritations ou des brûlures.
- **N'utiliser aucun bloc-piles ni aucun outil ayant été endommagé ou modifié.** Des piles endommagées ou modifiées peuvent adopter un comportement imprévisible pouvant causer un incendie, une explosion ou le risque de blessures.
- **Ne pas exposer le bloc-piles ou l'outil aux flammes ou à une température excessive.** Une exposition aux flammes ou à une température supérieure à 130°C (265°F) peut causer une explosion.
- **Suivre toutes les instructions de charge et ne pas charger le bloc-piles ou l'outil en dehors de la plage de température spécifiée.** Une charge incorrecte ou à des températures en dehors de la plage spécifiée peut endommager la pile et augmenter le risque d'incendie.

## ENTRETIEN

- **Les réparations de l'outil électrique doivent être confiées à un technicien qualifié, utilisant exclusivement des pièces identiques à celles d'origine.** Le maintien de la sûreté de l'outil électrique sera ainsi assuré.
- **Ne jamais effectuer la réparation d'un bloc-piles endommagé.** La réparation du bloc-piles doit être réalisée par le fabricant ou les fournisseurs de service agréés uniquement.

## RÈGLES DE SÉCURITÉ SPÉCIFIQUES POUR FORET ALESEUR

- **Consignes de sécurité pour toutes les opérations**
- **Utiliser les poignées auxiliaires.** La perte de contrôle peut causer des blessures physiques.
- **Tenir l'outil de la façon appropriée avant de**

**l'utiliser.** Cet outil entraîne un couple élevé et la perte de contrôle pourra survenir, en provoquant des blessures physiques, si l'outil n'est pas bien tenu avant de faire l'opération.

- **Lorsque l'outil est utilisé pour un travail risquant de mettre l'accessoire ou les boulons de coupe en contact avec des fils électriques cachés, le tenir par les surfaces de prise isolées.** L'accessoire ou les boulons de coupe se mettant en contact avec un fil « sous tension » pourront faire les pièces métalliques exposées de l'outil « s'électrifier » et électrocuter l'utilisateur.

**Consignes de sécurité lors de l'utilisation de forets longs :**

- **Ne jamais l'utiliser à une vitesse supérieure à la vitesse nominale maximale du foret.** À vitesses supérieures, c'est possible que le foret se torde si on le laisse tourner librement sans faire aucun contact avec la pièce de travail, en provoquant de blessures physiques.
- **Toujours commencer le perçage à vitesse faible, avec le foret mis en contact avec la pièce.** À vitesses supérieures, c'est possible que le foret se torde si on le laisse tourner librement sans faire aucun contact avec la pièce de travail, en provoquant de blessures physiques.
- **N'exercer de la pression que directement sur le foret ; veuillez ne pas exercer une pression excessive.** Les forets peuvent se tordre, en provoquant une rupture ou la perte de contrôle, ce qui pourra ainsi causer des blessures physiques.

## RÈGLES DE SÉCURITÉ SPÉCIFIQUES POUR LES STANDS DE FORET

**Avertissements de sécurité pour la foreuse au diamant**

- **Lors du perçage qu'exige l'utilisation de l'eau, acheminer l'eau loin du lieu de travail de l'opérateur ou bien, utiliser un dispositif de collecte de liquides.** Telles mesures sécuritaires maintiendront le lieu de travail sec et minimiseront les risques de décharge électrique.
- **Opérer l'outil motorisé par ses surfaces de préhension isolées lors d'une opération pendant laquelle l'accessoire de coupe pourra entrer en contact avec du câblage caché ou avec son propre cordon.** Le contact d'un accessoire de coupe avec un fil sous tension « électrifie » les pièces métalliques exposées de l'outil et peut électrocuter l'utilisateur.
- **Porter une protection auditive lors d'une opération de perçage au diamant.** L'exposition au bruit peut entraîner une perte auditive.
- **Quand le trépan est bloqué, arrêter d'exercer de pression vers le bas et éteindre l'outil.** Déterminer et prendre les actions correctives afin d'éliminer la cause du blocage du trépan.
- **Lors de la réinitialisation d'une perceuse au diamant dans la pièce, vérifier que le trépan tourne sans problème avant de commencer.** Si le trépan se bloque, il ne démarrera pas, surchargera l'outil ou causera que la perceuse au diamant se désengage de la pièce.
- **Lors de la fixation du stand sur la pièce à l'aide de chevilles et dispositifs de fixation, veuillez s'assurer que les chevilles utilisées sont capables de maintenir et maîtriser la machine pendant son utilisation.** Si la pièce est faible ou poreuse, la cheville pourra bien se retirer, ce qui

causera que le stand de perceuse se désengage de la pièce.

• **Lors de la fixation du stand de perceuse sur la pièce avec une ventouse, installer la ventouse sur une surface propre, lisse et non poreuse. Ne pas fixer sur de surfaces laminées, telles que les carreaux et le revêtement composite.** Si la pièce n'est pas lisse, plate ou bien fixe, la ventouse pourra se désengager de la pièce.

• **S'assurer qu'il y a de vide suffisant avant et durant le perçage.** Si le vide n'est pas suffisant, la ventouse pourra se désengager de la pièce.

• **Ne jamais percer si la machine n'a été fixé que par la ventouse, sauf si le perçage est vers le bas.** Si le vide est perdu, la ventouse se désengagera de la pièce.

• **Lors du perçage à travers de murs et de plafonds, s'assurer de protéger les personnes et l'espace de travail dans l'autre côté.** Le trépan pourra se rallonger à travers du trou ou bien, l'aléueur pourra tomber de l'autre côté.

• **Ne pas utiliser cet outil pour des tâches de perçage en hauteur avec un versage d'eau.** La pénétration d'eau dans l'outil motorisé accroît le risque de choc électrique.

## RÈGLES DE SÉCURITÉ SPÉCIFIQUES SUPPLÉMENTAIRES

• **Faire un entretien soigneux des outils.** Garder les poignées sèches, propres et exemptes d'huile et de graisse. Conserver les bords de coupe affûtés et propres. Suivre les instructions de lubrification et de changement d'accessoires. Fréquemment inspecter les cordons, les cordons prolongateurs et les piles des outils pour détecter de dommages. Faire réparer ou remplacer les pièces endommagées

**AVERTISSEMENT** Afin de minimiser le risque de blessures, lorsque de travaux sont faits dans de situations poussiéreuses, porter une protection respiratoire ou bien, utiliser une solution d'extraction de poussière conforme aux normes OSHA.

• **Toujours faire preuve de bons sens et procéder avec prudence lors de l'utilisation d'outils.** C'est impossible de prévoir toutes les situations dont le résultat est dangereux. Ne pas utiliser cet outil si vous ne comprenez pas ces instructions d'opération ou si vous pensez que le travail dépasse votre capacité; veuillez contacter Milwaukee Tool ou un professionnel formé pour recevoir plus d'information ou formation.

• **Maintenir en l'état les étiquettes et les plaques d'identification.** Des informations importantes y figurent. Si elles sont illisibles ou manquantes, contacter un centre de services et d'entretien MILWAUKEE pour un remplacement gratuit.

**AVERTISSEMENT** Certaines poussières générées par les activités de ponçage, de coupe, de rectification, de perçage et d'autres activités de construction contiennent des substances considérées être la cause de malformations congénitales et de troubles de l'appareil reproducteur. Parmi ces substances figurent:

- le plomb contenu dans les peintures à base de plomb;
- la silice cristalline des briques, du ciment et d'autres matériaux de maçonnerie, ainsi que
- l'arsenic et le chrome des sciages traités chimiquement.

Les risques encourus par l'opérateur envers ces expositions varient en fonction de la fréquence de ce type de travail. Pour réduire l'exposition à ces substances chimiques, l'opérateur doit: travailler dans une zone bien ventilée et porter l'équipement de sécurité approprié, tel qu'un masque anti-poussière spécialement conçu pour filtrer les particules microscopiques.

## PICTOGRAPHIE

 Volts

 Courant direct

n° XXXX min<sup>-1</sup> Tours-minute à vide (RPM)



**PRÉCAUTION** Risque de décharge électrique.



Lire le manuel d'utilisation.



Toujours porter une protection oculaire. Porter une protection respiratoire et auditive appropriée.

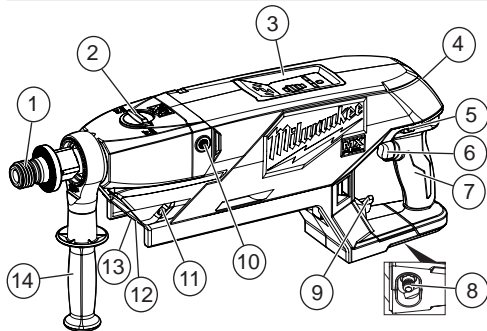


UL Listing Mark pour Canada et États-unis

## SPÉCIFICATIONS

Cat. No. ....	MXF301-0
Type de batterie.....	MX FUEL™
Type de chargeur .....	MX FUEL™
Température ambiante de fonctionnement recommandée .....	-18°C à 50°C (0°F à 125°F)
TR/MIN sans charge.....	0 à 800 / 0 à 1 600
Capacité maximale de trépan.....	152 mm (6")
Filet de broche.....	1-1/4" - 7
Adaptateur de broche 5/8"-11 .....	48-17-6005
Pression maximale d'entrée .....	6,2 bar (90 psi)

## DESCRIPTION FONCTIONNELLE



- |                             |  |
|-----------------------------|--|
| 1. Broche                   | 9. Valve d'eau                         |
| 2. Sélecteur de vitesse     | 10. Emplacements de poignées latérales |
| 3. Centre de contrôle       | 11. Éclairage                          |
| 4. Bouton de bras           | 12. Verrou de loquet de batterie       |
| 5. Verrouillage de gâchette | 13. Levier de loquet de batterie       |
| 6. Gâchette                 | 14. Poignée latérale                   |
| 7. Poignée                  |  |
| 8. Connexion d'eau rapide   |  |

## MONTAGE DE L'OUTIL

**⚠ AVERTISSEMENT** Ne recharger la batterie qu'avec le chargeur spécifié. Pour les instructions de charge spécifiques, lire le manuel d'utilisation fourni avec le chargeur et les batteries.

### Enlèvement/insertion de la batterie

Pour retirer le bloc-piles, pousser le verrou de loquet de bloc-piles vers un côté et serrer le levier du loquet. Tirer du bloc-piles pour le faire sortir de l'outil.

**⚠ AVERTISSEMENT** Il faut toujours retirer la batterie et verrouiller la détente de l'outil avant de changer ou d'enlever les accessoires.

Pour insérer la batterie, la glisser dans le corps de l'outil. S'assurer qu'elle est fixée solidement.

**⚠ AVERTISSEMENT** L'emploi d'accessoires autres que ceux qui sont expressément recommandés pour cet outil peut comporter des risques.

**Sélection et installation d'un trépan carottier**  
MILWAUKEE offre des trépan carottiers qui ont été conçus pour couper un éventail de matériaux, y compris le béton coulé, le béton armé d'acier et le béton précontraint. Sélectionner le style correct et le trépan d'une bonne taille pour la tâche de travail. Toujours utiliser des trépan propres, affûtés et bien entretenus. Utiliser des trépan de foret aléseur avec un filet de 32 mm-7 (1-1/4"-7). Les trépan ayant un filet de 16 mm-11 (5/8"-11) pourra être utilisés avec un adaptateur 48-17-6005.

1. Pour installer le trépan, retirer le bloc-piles.
2. Fileter le trépan sur l'axe d'une façon sécuritaire.
3. Tenir le collier fermement (à la main ou à l'aide d'une clé ajustable ou une clé à molette de 32 mm (1-1/4")) et fermer le trépan fermement.
4. Pour retirer le trépan, retirer le bloc-piles.
5. Mettre une clé ajustable ou une clé à molette de 32 mm (1-1/4") sur le collier et une clé ajustable ou de 32 mm (1-1/4") sur le trépan.
6. Tenir la clé à molette fermement pendant l'utilisation d'une clé de trépan pour desserrer le trépan.

### Forets carottiers au diamant

Les conditions suivantes pourront influencer considérablement la performance des forets carottiers au diamant :

- Quantité d'eau
- TR/MIN du moteur de foret aléseur
- Outilisation excessive du trépan
- Quantité d'acier
- Taille de l'acier incorporé
- Âge du béton
- Agrégat (taille, type, dureté, abrasivité)
- Type de sable fabriqué vs. rivière (naturelle)
- Technique de l'utilisateur
- Entretien fait par l'utilisateur
- Pression d'alimentation appliquée par l'utilisateur sur le trépan
- Rigidité et condition du stand de foret aléseur

**Pour prolonger la vie utile du foret aléseur :**

- Choisir la taille correcte pour la tâche. Prendre en compte la taille, l'agrégat, le sable, etc.
- Lors de l'utilisation d'un nouveau trépan, exercer une pression d'alimentation douce pour faire les 2 ou 3 premiers trous pour que le diamant peut graduellement y entrer.

• Faire les trépan entrer lentement dans la surface de travail. Exercer une pression d'alimentation douce jusqu'à ce que la couronne du trépan soit entrée ou « assise » dans le matériau.

• Si le foret aléseur tombe sur l'acier incorporé, ralentir la pression d'alimentation et laisser le foret aléseur fonctionner à sa propre cadence. Ne pas forcer le trépan. L'eau tout autour du trépan normalement sera claire lorsqu'on tombe sur l'acier incorporé.

• Minimiser toute vibration. Ralentir l'avance d'alimentation si nécessaire. La vibration mènera une rupture sévère du diamant ou sa sortie.

• Utiliser des trépan affûtés.

**⚠ AVERTISSEMENT** Afin de minimiser le risque de blessures, lorsque de travaux sont faits dans de situations poussiéreuses, porter une protection respiratoire ou bien, utiliser une solution d'extraction de poussière conforme aux normes OSHA.

Lors du perçage humide, acheminer l'eau loin du lieu de travail ou bien, utiliser un dispositif de collecte de liquides pour préserver le lieu de travail sec et minimiser les risques de décharge électrique. Ne pas laisser l'eau couler dans l'outil ni le bloc-piles.

### Alimentation en eau

L'eau présente des avantages lors du carottage :

- L'eau fonctionne comme un liquide de refroidissement, ce qui éliminera la chaleur produite par la friction de l'action de carottage. Ceci préservera l'intégrité des diamants, la matrice, la soudure de la pièce et le tube de carottage. Sans un liquide de refroidissement, l'accumulation de chaleur pendant le carottage pourra mener la faillance de tous ces composants.
- L'eau fera couler des particules abrasives lâches qui ont été créées durant le carottage. Ces particules se composent d'agrégats, sable, particules de diamant et de différents métaux provenant de l'acier incorporé et la matrice du trépan carottier. Le trou devra être exempt de débris afin de laisser le foret aléseur fonctionner. Si les particules lâches ne sont pas purgées correctement du trou, une traînée inutile se produira dans le côté de l'enveloppe de carottage. Ceci contribuera au glaçage du foret à cause d'une absence de puissance, ainsi que de dommages au moteur provoqués par les augmentations d'ampérage à cause de la résistance du trépan. De plus, les particules lâches ont tendance à user le tube du trépan, ce qui mènera la perte graduelle de segments.
- L'eau limite la génération de poussière et contribue à la préservation d'un lieu de travail plus propre et sain. **AVERTISSEMENT !** Toujours utiliser une solution d'extraction de poussière conforme aux normes OSHA.

Afin d'éviter l'apparition de poussière visible, un approvisionnement en eau correct doit s'écouler d'une façon libre et fréquente durant toute la coupe. Ces forets aléseurs sont munis d'un système d'approvisionnement en eau intégré qui laisse l'eau s'écouler à l'intérieur et tout autour du trépan. **AVERTISSEMENT !** Lors du perçage humide, acheminer l'eau loin du lieu de travail ou bien, utiliser un dispositif de collecte de liquides pour préserver le lieu de travail sec et minimiser les risques de décharge électrique.

1. Utiliser uniquement de l'eau fraîche à moins de 90 PSI.

## Sélection de la vitesse

2. Branche un raccord de connexion rapide conventionnel à un tuyau de jardin et l'enclencher au raccord du foret aléuseur.
3. Ne pas utiliser de tuyaux qui sont tordus, usés ou endommagés
4. Utiliser la valve d'eau pour activer et désactiver l'approvisionnement en eau lors du carottage.

**AVERTISSEMENT** Afin de minimiser les risques de blessures, toujours utiliser une poignée latérale durant les opérations à la main. Toujours avoir une prise ferme. S'assurer que la poignée latérale soit fermement serré avant chaque utilisation. Toujours être prêt au coincement du trépan et la réaction du foret aléuseur.

## Réglage de la poignée latérale

C'est possible d'utiliser la poignée latérale dans l'avant de l'outil dans n'importe quelle orientation ou bien, au milieu de l'outil, dans un des emplacements pour poignée latérale.

Pour installer la poignée latérale sur le collier du foret aléuseur :

1. Desserrer la prise de la poignée latérale jusqu'à ce que sa bague puisse être poussée dans le collier du foret aléuseur.
2. Positionner la poignée latérale au besoin.
3. Faire tourner le collier doucement pour vérifier que la goupille s'encliquète en place.
4. Fermement serrer la prise de la poignée latérale à la main.

Pour installer la poignée latérale dans un des emplacements pour poignée latérale :

1. Dévisser totalement la prise de la poignée latérale de la bague.
2. Choisir l'emplacement souhaité pour mettre la poignée latérale et fileter la prise en place.
3. Fermement serrer la prise de la poignée latérale à la main.

## Montage du foret aléuseur sur un stand

**AVERTISSEMENT** Toujours retirer les bloc-piles avant d'installer le foret aléuseur sur un stand.

1. Installer le foret aléuseur sur le stand selon les consignes du stand de foret aléuseur. MILWAUKEE recommande l'utilisation d'un stand de foret aléuseur MILWAUKEE (No de Cat. 3000) avec cet outil. Un adaptateur de foret aléuseur MX FUEL™ de MILWAUKEE (No de Cat. 49-67-0105) est disponible pour fixer ce foret aléuseur sur de vieux modèles de stands de carottage de MILWAUKEE.
2. Une fois monté le foret aléuseur, s'assurer que le porteur soit rigide et bien mis contre le mât. Un porteur lâche pourra laisser que le foret aléuseur ou le trépan se basculent pendant le carottage. Remuer le foret aléuseur dans les quatre directions (avant, arrière, gauche et droite). S'il se bouge, ajuster selon les consignes du stand de foret aléuseur.
3. Avant son utilisation, fixer le foret aléuseur et le stand à l'aide d'une ventouse, des boulons d'expansion ou bien, d'autre méthode recommandée. **AVERTISSEMENT !** Ne pas se fier ni du poids du stand, ni l'épingle d'étayage toute seule, ni du poids corporel sur le stand à des fins de fixation pendant l'utilisation. Le stand se bougera et provoquera des blessures.
4. Pour retirer le foret aléuseur, le débrancher selon les consignes du stand de foret aléuseur.


Choisir la vitesse selon le diamètre du trépan et les matériaux. Changer les vitesses seulement quand le foret aléuseur est arrêté.

Choisir **76 mm à 152 mm (3"-6")** pour une vitesse faible, laquelle est appropriée pour ces tailles de foret aléuseur et pour couper de tiges, de trous profonds et d'agrégats durs.

Choisir **25 mm à 76 mm (1"-3")** pour une haute vitesse, laquelle est appropriée pour ces tailles de foret aléuseur et pour couper de matériaux mous.

## Verrouillage de la gâchette

Pour **verrouiller** la gâchette, glisser le verrou de gâchette vers sa position  de verrouillage.

Pour **déverrouiller** la gâchette, glisser le verrou de gâchette vers sa position  de déverrouillage. La gâchette ne fonctionnera pas lorsque le verrou est réglé en position de verrouillage.

Toujours bloquer la gâchette et désarmer l'outil ou bien, retirer le bloc-piles avant de faire l'entretien, changer les accessoires, entreposer l'outil et quand l'outil ne soit pas utilisé.

## Centre de contrôle

Le centre de contrôle montre des renseignements pendant le carottage, ce qui vous aidera à éviter la surcharge du moteur et l'usure prémature du trépan.

## Niveau digital

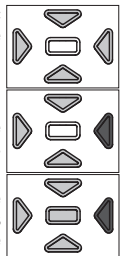
Utiliser le niveau digital pour corroborer que le trou soit uniforme durant toute l'opération. Utiliser le niveau digital pour aligner correctement le foret aléuseur durant l'utilisation à main ou bien, lors de l'installation d'un stand de foret aléuseur.

Les quatre flèches rouges à DEL indiquent quand l'outil n'est pas nivelé et le sens vers lequel l'outil doit être déplacé pour le remettre en niveau. Le voyant DEL blanc central indique que l'outil est nivelé.

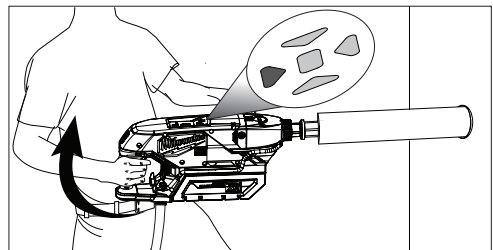
• Quand nivelé, le voyant DEL blanc central s'allumera (<1,5° hors de niveau).

• Si l'outil est légèrement hors de niveau, le voyant DEL blanc central et le voyant DEL rouge lié au sens hors de niveau s'allumeront (1,5° à 2,7° hors de niveau).

• Si l'outil est très hors de niveau, le voyant DEL rouge lié au sens hors de niveau s'allumera (>2,7° hors de niveau).



Pendant le perçage à l'horizontal, les flèches droite et gauche ne s'utiliseront pas.



## Indicateur de performance

L'indicateur de performance montre des renseignements de pression. Les voyants DEL s'allumeront l'un après l'autre lorsque la pression est exercée sur le trépan. Augmenter ou réduire la pression sur le trépan pour achever la « pression idéale » verte. **REMARQUE** : La « pression idéale » verte est mieux obtenue en utilisant un stand de foret aléueur. La plupart des applications manuelles auront des pressions « Bonnes » verte et « OK » jaunes. Lors de l'utilisation de nouveaux trépan à diamant, suivre les instructions du fabricant pour les faire entrer (voir « Trépan carottiers au diamant »).

Une fois entrés les trépan, la pression d'alimentation faible cirera des diamants, ralentira la pénétration et contribuera au glaçage de foret. La haute pression d'alimentation pourra surcharger le moteur du foret aléueur ou pourra expulser les diamants prématurément, spécialement lors du carottage de l'acier incorporé. Faire fonctionner le trépan, mais ne pas essayer de le coincer à travers le matériau.

## Indicateur de charge de la batterie

Lors de l'armement de l'outil, l'indicateur de charge de la batterie affichera l'autonomie restante du bloc-piles. L'indicateur de charge de la batterie montre les mêmes renseignements que la jauge de charge sur le bloc-piles. Un témoin sur l'indicateur de charge de la pile clignotera s'il reste moins de 10 % de la charge. Lorsque la batterie n'a plus de charge, l'indicateur de charge clignotera 8 fois. Charger le bloc-piles.

10-32 %

32-55 %

55-77 %

77-100 %

**Moins de 10% si la première lumière clignote 4 fois**

## ONE-KEY™

Pour en apprendre plus long sur la fonctionnalité ONE-KEY™ de cet outil, veuillez consulter la référence rapide fourni incluse avec ce produit ou visitez le [milwaukeeetool.com/One-Key](http://milwaukeeetool.com/One-Key). Pour télécharger l'application ONE-KEY™, visitez l'App Store d'Apple ou Google Play à l'aide de votre appareil intelligent.

Indicateur ONE-KEY™	
Bleu uni	Le mode sans fil est engagé et prêt pour le configurer à l'aide de l'appli ONE-KEY™.
Bleu clignotant	L'outil établit une communication active avec l'appli ONE-KEY™.
Rouge clignotant	L'outil a un blocage sécuritaire et ne pourra être débloqué que par le propriétaire à l'aide de l'appli ONE-KEY™.

-Rouge-  
moins de  
pression

-Verte-  
Pression idéale  
(avec le stand)

-Verte-  
Pression bonne

-Jaune-  
Pression OK

-Jaune-  
Plus de  
pression

**⚠ AVERTISSEMENT** Afin de minimiser les risques de blessures, toujours vérifier le lieu de travail pour repérer des câbles cachés avant l'action de carottage.

Toujours porter la protection oculaire appropriée certifiée conforme à la norme ANSI Z87.1.

Lorsque de travaux sont faits dans de situations poussiéreuses, porter une protection respiratoire ou bien, utiliser une solution d'extraction de poussière conforme aux normes OSHA.

Lors du perçage humide, acheminer l'eau loin du lieu de travail ou bien, utiliser un dispositif de collecte de liquides pour préserver le lieu de travail sec et minimiser les risques de décharge électrique. Ne pas laisser l'eau couler dans l'outil ni le bloc-piles.

Faire très attention lors du perçage à travers des sols. Prévoir la protection de toute personne et matériau au-dessus. Les coeurs tombent souvent des trépan une fois le trou fini.

Afin de minimiser les risques de blessures, toujours utiliser une poignée latérale durant les opérations à la main. Toujours avoir une prise ferme. S'assurer que la poignée latérale soit fermement serré avant chaque utilisation. Toujours être prêt au coincement du trépan et la réaction du foret aléueur.

## Assemblage de l'outil


Les outils MX Fuel™ devront être armés avant leur utilisation. Même que le bloc-piles soit inséré, les fonctions de la gâchette et l'outil ne fonctionnera pas jusqu'à ce que l'outil soit armé.

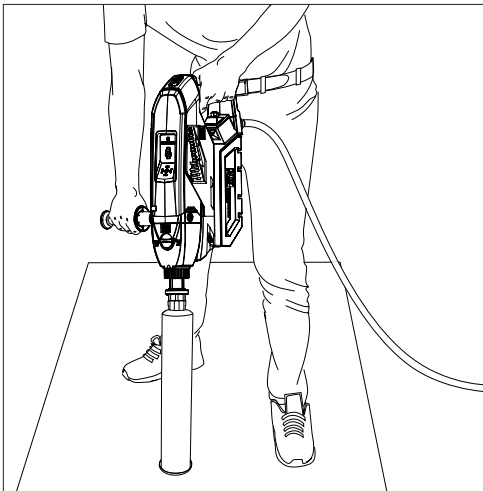
Pour armer l'outil :

1. Insérer le bloc-piles.
2. Appuyez sur le bouton Bras. L'icône MX FUEL™ s'allume. La gâchette s'armera en 2 secondes
3. Après 15 minutes d'inactivité, l'outil entrera en mode de veille. L'icône MX FUEL™ s'éteindra et la gâchette et les voyants DEL seront non opérationnels.
4. Appuyer et tenir enfoncé le bouton d'armement pendant 1 seconde pour réactiver l'outil.
5. Appuyer et tenir enfoncé le bouton d'armement pendant 1 seconde pour désarmer (éteindre) l'outil. L'icône MX FUEL™ s'éteindra.

## Carottage à la main


1. Installer le trépan et choisir la vitesse.
2. Insérer le bloc-piles.
3. Armer l'outil.
4. Activer le débit d'eau vers le trépan en ouvrant la valve d'eau. **AVERTISSEMENT** ! Lors du perçage humide, acheminer l'eau loin du lieu de travail ou bien, utiliser un dispositif de collecte de liquides pour préserver le lieu de travail sec et minimiser les risques de décharge électrique.
5. Régler le verrou de la gâchette vers sa position de déverrouillage.
6. Tenir les poignées fermement et aligner le trépan.
7. Utiliser le niveau digital pour s'assurer que le trépan carottier soit nivelé pendant toute la coupe.
8. Pour démarrer l'outil, appuyer sur la gâchette. **REMARQUE** : L'éclairage s'allumera lorsque la gâchette est appuyée.
9. Faire les trépan entrer lentement dans la surface de travail. Exercer une pression d'alimentation douce jusqu'à ce que la couronne du trépan soit entrée ou « assise » dans le matériau.

10. Une fois le trépan « assis », utiliser l'indicateur de performance pour définir si la pression correcte est utilisée pendant toute la coupe. Augmenter ou réduire la pression au besoin. Une pression excessive ralentira le trépan et diminuera l'efficacité du perçage ; réduire la pression un peu pour laisser le trépan reprendre sa vitesse. Une pression insuffisante causera que le trépan se bouge sur le lieu de travail et le point du trépan devienne émoussée.
11. Pour **changer** la vitesse, augmenter ou réduire la pression exercée sur la gâchette. Plus la gâchette est appuyée, plus la vitesse s'élèvera.
12. Monitorer le débit d'eau. Régler la valve d'eau pour que le retour d'eau soit d'une couleur ferme et boueuse. L'eau fraîche ou des traces claires indiquent un volume excessif d'eau et réduira la vie utile du trépan. Un volume d'eau correct en raison du diamètre du trépan. Utiliser une quantité d'eau suffisante pour évacuer les pièces coupées de la surface de travail.
13. Pour **arrêter** l'outil, retirer le trépan du trou et relâcher la gâchette. S'assurer que le trépan est complètement arrêté avant de déposer l'outil.
14. Si le trépan se coince, relâcher la gâchette et attendre jusqu'à ce que le trépan s'arrête complètement. Retirer le trépan de la pièce à travailler.
15. Régler le verrou de la gâchette vers sa position  de verrouillage.
16. Fermer la valve d'eau.
17. Appuyer sur le bouton d'armement pour éteindre l'outil.
18. Voir la section « Récupération de trépan cœur et carottage profond » pour consulter de plus amples renseignements à propos du relèvement de cœurs.



## Carottage sur un stand

**AVERTISSEMENT** Afin de minimiser les risques de blessures, ne pas carotter sauf si on a achevé l'étanchéité correct quand le stand est sécurisé à l'aide d'un système d'étanchéité.

1. Installer les consignes du stand de foret aléueur sur le stand selon les instructions du stand de foret aléueur (Voir « Montage du foret aléueur sur un stand »).
2. Bien fixer le stand sur la surface de travail selon les instructions du stand de foret aléueur. **AVERTISSEMENT !** Ne pas se fier ni du poids du stand, ni l'épingle d'étayage toute seule, ni du poids corporel sur le stand à des fins de fixation pendant l'utilisation. Le stand se bougera et provoquera des blessures.
3. Utiliser le niveau digital pour s'assurer que le foret aléueur soit nivelé.
4. Installer le trépan et choisir la vitesse.
5. Insérer le verrou de gâchette (facultatif) mais NE PAS appuyer sur la gâchette.
6. Lors de l'utilisation d'un système d'étanchéité, suivre les instructions du fabricant. **AVERTISSEMENT !** Ne pas carotter sauf si on est bien achevé l'étanchéité correcte. Toujours monitorer le manomètre à vide pendant le carottage.
7. Insérer le bloc-piles.
8. Armer l'outil.
9. Activer le débit d'eau vers le trépan en ouvrant la valve d'eau. **AVERTISSEMENT !** Lors du perçage humide, acheminer l'eau loin du lieu de travail ou bien, utiliser un dispositif de collecte de liquides pour préserver le lieu de travail sec et minimiser les risques de décharge électrique.
10. Régler le verrou de la gâchette vers sa position  déverrouillage.
11. Utiliser le niveau digital pour s'assurer que le foret aléueur soit nivelé pendant toute la coupe.
12. Pour **démarrer** l'outil, appuyer sur la gâchette. Faire tourner le verrou de gâchette pour engager la gâchette. **REMARQUE :** L'éclairage s'allumera lorsque la gâchette est appuyée.
13. Faire les trépan entrer lentement dans la surface de travail. Exercer une pression d'alimentation douce jusqu'à ce que la couronne du trépan soit entrée ou « assise » dans le matériau. 
14. Une fois le trépan « assis », utiliser l'indicateur de performance pour définir si la pression correcte est utilisée pendant toute la coupe. Augmenter ou réduire la pression au besoin. Une pression excessive ralentira le trépan et diminuera l'efficacité du perçage ; réduire la pression un peu pour laisser le trépan reprendre sa vitesse. Une pression insuffisante causera que le trépan se bouge sur le lieu de travail et le point du trépan devienne émoussée.
15. Pour **changer** la vitesse, augmenter ou réduire la pression exercée sur la gâchette. Plus la gâchette est appuyée, plus la vitesse s'élèvera.
16. Monitorer le débit d'eau. Régler la valve d'eau pour que le retour d'eau soit d'une couleur ferme et boueuse. L'eau fraîche ou des traces claires indiquent un volume excessif d'eau et réduira



**⚠ AVERTISSEMENT** Pour minimiser les risques de blessures corporelles, **débranchez le chargeur et retirez la batterie du chargeur ou de l'outil avant d'y effectuer des travaux d'entretien. Ne démontez jamais l'outil, la batterie ou le chargeur. Pour toute réparation, consultez un centre de service MILWAUKEE accrédité.**

### Entretien de l'outil

Gardez l'outil en bon état en adoptant un programme d'entretien ponctuel. Inspectez votre outil pour des questions telles que le bruit excessif, de grippage des pièces mobiles, de pièces cassées ou toute autre condition qui peut affecter le fonctionnement de l'outil. Retournez votre outil à un centre de service MILWAUKEE accrédité pour obtenir le service. Après une période pouvant aller de 6 mois à un an, selon l'usage, retournez votre outil à un centre de service MILWAUKEE accrédité pour d'inspection.

Si l'outil ne démarre pas ou ne fonctionne pas à pleine puissance alors qu'il est branché sur une batterie complètement chargée, nettoyez les points de contact entre la batterie et l'outil. Si l'outil ne fonctionne toujours pas correctement, renvoyez l'outil, le chargeur et la batterie à un centre de service MILWAUKEE accrédité.

### ONE-KEY™

**⚠ AVERTISSEMENT** Risque de brûlure chimique.

**Ce dis-positif contient une pile bouton au lithium. Une pile neuve ou usée peut causer des brûlures internes graves entraînant la mort en seulement 2 heures si avalée ou entrée dans le corps. Toujours fixer le couvercle du compartiment des piles. Si le couvercle ne se ferme pas bien, arrêter d'utiliser le dispositif, retirer les piles et les garder hors de la portée des enfants. Si vous soupçonnez que les piles ont été avalées ou entrées dans le corps, consultez immédiatement un médecin.**



### Pile interne


Une pile interne est utilisée pour faciliter la fonctionnalité complète ONE-KEY™.

Si la LED de l'indicateur de mode s'éteint et que l'outil ne peut pas ajuster la vitesse, ou si la communication Bluetooth cesse de fonctionner, retirez et réinsérez la batterie de la pile à pièces pour la réinitialiser. Remplacez la batterie si le problème persiste.

Pour remplacer la pile :

1. Retirer le bloc-piles.
2. Retirer la vis et ouvrir la porte du compartiment de la pile.
3. Retirer le panneau de la pile et enlever la pile usagée. Tenez hors de la portée des enfants et éliminez-la adéquatement.
4. Insérer la nouvelle pile (3V CR2032), avec le côté positif vers le haut.
5. Fermer la porte du compartiment de la pile et serrer la vis fermement.

la vie utile du trépan. Un volume d'eau correct en raison du diamètre du trépan. Utiliser une quantité d'eau suffisante pour évacuer les pièces coupées de la surface de travail.

17. Lorsque la coupe est finie, remonter le trépan de la coupe.
18. Pour **arrêter** l'outil, retirer le trépan du trou et relâcher la gâchette. Lors de l'utilisation du verrou de gâchette, le tourner pour désengager la gâchette. S'assurer que le trépan est complètement arrêté avant de déposer l'outil.
19. Si le trépan se coince, relâcher la gâchette et attendre jusqu'à ce que le trépan s'arrête complètement. Retirer le trépan de la pièce à travailler.
20. Régler le verrou de la gâchette vers sa position  de verrouillage.
21. Fermer la valve d'eau.
22. Appuyer sur le bouton d'armement pour éteindre l'outil.
23. Voir la section « Récupération de trépan cœur et carottage profond » pour consulter de plus amples renseignements à propos le relèvement de cœurs.

**Relèvement de cœurs et carottage profond**  
Lors du carottage de trous qui sont plus profonds que le trépan carottier.

1. Carotter le trou. Une fois la profondeur maximale coupée, retirer le trépan du trou et arrêter l'outil.
2. Retirer le cœur à l'aide d'un ciseau ou une cale dans la coupe entre le cœur et la surface de travail. D'autres objets, tels que les tenailles pour cœur, fil de fer tordus ou de boulon d'ancrage, pourront être utilisés pour retirer le cœur. Le relèvement de cœurs dont leurs diamètres sont deux fois plus grands que leur longueur est difficile. Une méthode est d'abord, casser le cœur pour le défaire en petits morceaux et après, retirer ces petits morceaux.
3. Réinstaller le trépan à l'aide d'un rallongement de trépan, si nécessaire, et poursuivre le carottage.

### Dépannage

#### Vibrations

1. Arrêter le perçage.
2. Éteindre le foret alésure.
3. Retirer les batteries.
4. Vérifier s'il y a des boulons ou d'écrous lâches. Les serrer si nécessaire.
5. Vérifier s'il y a une ovalisation excessive du trépan. Remplacer si nécessaire.

Si la vibration continue à se produire, retirer le cœur et le matériau lâche. Si la vibration continue toujours à se produire après avoir mis ces mesures en place, retourner la perceuse au centre de service MILWAUKEE le plus proche.

#### Coincement de trépan

Le coincement de trépan est causé par l'une de deux raisons : un trépan émoussé (glacé) ou bien, un stand ayant un peu ou très mal stabilisé.

Causes du glaçage de trépan :

- TR/MIN incorrect par rapport au diamètre du trépan
- Pression d'alimentation excessive
- Pression d'alimentation insuffisante
- Haut contenu d'acier dans la surface de travail
- Agréгат dur et grand
- Trop d'eau

•Puissance faible dans le moteur

Un trépan aiguisé a souvent une bonne exposition de diamant et coupera/meulera pratiquement tout ce qui se trouve sur son chemin.

**AVERTISSEMENT** Pour minimiser les risques de blessures ou de dommages à l'outil, n'immergez jamais l'outil, la batterie ou le chargeur et ne laissez pas de liquide s'y infiltrer.

### Nettoyage

Débarassez les événements des débris et de la poussière. Gardez les poignées propres, à sec et exemptes d'huile ou de graisse. Le nettoyage doit se faire avec un linge humide et un savon doux. Certains nettoyeurs tels l'essence, la térébenthine, les diluants à laque ou à peinture, les solvants chlorés, l'ammoniaque et les détergents d'usage domestique qui en contiennent pourraient détériorer le plastique et l'isolation des pièces. Ne laissez jamais de solvants inflammables ou combustibles auprès des outils.

### Nettoyage du bloc-piles et le compartiment de piles

Maintenir les connexions et les surfaces du bloc-piles qui se trouvent entre l'outil et la pile exempt de débris ainsi que de matériaux.

Ne pas maintenir les surfaces propres pourra entraîner le désalignement de la connexion du bloc-piles ou bien, endommager la connexion de la pile tout entière.

### Réparations

Pour les réparations, retournez outil, batterie et chargeur en entier au centre-service le plus près.

### ACCESSOIRES

**AVERTISSEMENT** L'utilisation d'autres accessoires que ceux qui sont spécifiquement recommandés pour cet outil peut comporter des risques.

Pour une liste complète des accessoires, visiter le site internet [www.milwaukeetool.com](http://www.milwaukeetool.com) ou contactez un distributeur.

### SERVICE - CANADA

**Milwaukee Tool (Canada) Ltd**  
**1.800.268.4015**

Monday-Friday, 7:00 AM - 4:30 PM CST  
[www.milwaukeetool.ca](http://www.milwaukeetool.ca)

### GARANTIE LIMITÉE - AUX ÉTATS-UNIS ET AU CANADA

Chaque produit, bloc-pile, et chargeur MX FUEL™ de MILWAUKEE sont garantis à l'acheteur d'origine d'être exempts de vice du matériel et de fabrication. Sous réserve de certaines exceptions, MILWAUKEE réparera ou remplacera un produit, bloc-pile, et chargeur MX FUEL™ qui, après examen par MILWAUKEE, s'est affectée d'un vice de matériel ou de main d'œuvre pendant une période de deux (2) ans après la date d'achat. Retourner el produit, bloc-pile, et chargeur MX FUEL™ à un centre de réparations en usine MILWAUKEE ou à un poste d'entretien agréé MILWAUKEE, en port prépayé et assuré. Pour en savoir plus du processus d'expédition adéquat de blocs-piles, veuillez composer le 1.800.SAWDUST (1.800.729.3878) ou visiter le site [www.milwaukeetool.com](http://www.milwaukeetool.com). Une copie de la preuve d'achat doit être présentée lors du retour du produit. Cette garantie ne couvre pas les dommages que MILWAUKEE détermine d'être causés par des réparations ou des tentatives de réparation par quiconque autre que le personnel agréé par MILWAUKEE, des utilisations incorrectes, des altérations, des utilisations abusives, une usure normale, une carence d'entretien ou les accidents.

Usure normale : Plusieurs produits MX FUEL™ ont besoin de remplacer leurs pièces à périodicité afin d'achever leur performance maximale. Cette garantie ne couvre pas les réparations lorsque l'utilisation commune ait épuisé sa vie utile, y compris, sans s'y limiter, les courroies d'entraînement et d'assistance, les poulies, les flasques de disques, les joints à vide, les poignées sans outil, les épingles de chasse, les patins, les accouplements d'entraînement, les gaines en caoutchouc, l'entraînement automatique, les blocs de stabilisation, les roues, les porte-roues, les cordons, les joints toriques, les embouts, les lames d'entraînement, les pistons, les perceurs, les pousseurs, les porte-outils et les rondelles de protection de butoir.

L'enregistrement de la garantie n'est pas nécessaire pour bénéficier de la garantie en vigueur sur el produit, bloc-pile, et chargeur MX FUEL™. L'ACCEPTATION DES RECOURS EXCLUSIFS DE RÉPARATION ET DE REMPLACEMENT DÉCRITS PAR LA PRÉSENTE EST UNE CONDITION DU CONTRAT D'ACHAT DE TOUT PRODUIT MILWAUKEE. SI VOUS N'ACCEPTÉZ PAS CETTE CONDITION, VOUS NE DEVEZ PAS ACHETER LE PRODUIT. EN AUCUN CAS MILWAUKEE NE SAURAIT ÊTRE RESPONSABLE DE TOUT DOMMAGE ACCESSOIRE, SPÉCIAL OU INDIRECT, DE DOMMAGES-INTÉRÊTS PUNITIFS OU DE TOUTE DÉPENSE, D'HONORAIRES D'AVOCATS, DE FRAIS, DE PERTE OU DE DÉLAIS ACCESSOIRES À TOUT DOMMAGE, DÉFAILLANCE OU DÉFAUT DE TOUT PRODUIT, Y COMPRIS NOTAMMENT LES PERTES DE PROFIT. CERTAINS ÉTATS ET PROVINCES NE PERMETTANT L'EXCLUSION OU LA LIMITATION DES DOMMAGES DIRECTS OU INDIRECTS, LES RESTRICTIONS CI-DESSUS PEUVENT NE PAS ÊTRE APPLICABLES. CETTE GARANTIE EST EXCLUSIVE ET REMPLACE TOUTE AUTRE GARANTIE EXPRESSE, QU'ELLE SOIT VERBALE OU ÉCRITE, DANS LA MESURE PERMISE PAR LA LOI. MILWAUKEE RENONCE À TOUTE GARANTIE IMPLICITE, Y COMPRIS, SANS S'Y LIMITER, TOUTE GARANTIE IMPLICITE DE QUALITÉ MARCHANDE OU D'ADAPTATION À UNE UTILISATION OU À UNE FIN PARTICULIÈRE. DANS LA MESURE OU UNE TELLE STIPULATION D'EXONÉRATION N'EST PAS PERMISE PAR LA LOI, LA DURÉE DE CES GARANTIES IMPLICITES EST LIMITÉE À LA PÉRIODE APPLICABLE À LA GARANTIE EXPRESSE, TEL QUE CELA EST DÉCRIT PRÉCÉDEMMENT. CERTAINS ÉTATS ET PROVINCES NE PERMETTANT PAS DE LIMITATION DE DURÉE DES GARANTIES IMPLICITES, LES RESTRICTIONS CI-DESSUS PEUVENT NE PAS ÊTRE APPLICABLES. LA PRÉSENTE CONFÈRE À L'UTILISATEUR DES DROITS LÉGAUX PARTICULIERS ; IL BÉNÉFICIE ÉGALEMENT D'AUTRES DROITS QUI VARIENT D'UN ÉTAT OU PROVINCE À L'AUTRE.

Cette garantie s'applique aux produits vendus aux États-Unis et au Canada uniquement.

Veuillez consulter la rubrique « Centre SAV Milwaukee », dans la section « Pièces et service » du site web de MILWAUKEE, à l'adresse <http://www.milwaukeetool.com> ou composer le 1.800.SAWDUST (1.800.729.3878) afin de trouver le centre de service de votre région le plus proche pour l'entretien, sous garantie ou non, sur un produit, bloc-pile, et chargeur MX FUEL™.

### GARANTIE LIMITÉE - MEXIQUE, AMÉRIQUE CENTRALE ET CARAIBES

TECHTRONIC INDUSTRIES' garantit le produit pendant 2 ans à partir de la date d'achat d'origine.

Le présent bon de garantie couvre tous les vices de matériel et de fabrication que peut afficher ce produit.

Pour assurer la validité de la présente garantie, veuillez présenter ce bon de garantie, estampillé du sceau du distributeur ou du magasin où le produit a été acheté, au centre de réparations agréé. Si le bon de garantie n'a pas été estampillé, veuillez fournir la preuve d'achat d'origine au centre de réparations agréé.

Pour un entretien des pièces, des accessoires ou des composants, composer 55 4160-3547 afin d'obtenir les coordonnées du centre de réparations agréé le plus près.

#### Procédure pour assurer la validité de la garantie

Présenter le produit au centre de réparations agréé, accompagné du bon de garantie estampillé du sceau du distributeur ou du magasin où le produit a été acheté. Toute pièce défectueuse ou tout composant défectueux sera remplacé(e) sans frais. Milwaukee assume tous les frais de transport liés à ce processus de garantie.

#### Exceptions

Cette garantie ne s'applique pas dans les situations suivantes :

- Si le produit a été utilisé pour une fin autre que celle indiquée dans le guide de l'utilisateur final ou le manuel d'instructions.
- Si les conditions d'utilisations ne sont pas habituelles.
- Si le produit a été modifié ou réparé par une personne non autorisée par TECHTRONIC INDUSTRIES.

**Remarque** : Si le cordon électrique est endommagé, il doit être remplacé par un centre de réparations agréé pour éviter les risques d'électrocution.

#### CENTRE DE RÉPARATIONS ET DE SERVICE

Composer le 55 4160-3547

#### IMPORTÉ ET COMMERCIALISÉ PAR

TECHTRONIC INDUSTRIES, MEXIQUE, S.A. DE C.V.  
Miguel de Cervantes Saavedra No.310 Piso 5, Torre Norte  
11520 Colonia Ampliación Granada  
Miguel Hidalgo, Ciudad de Mexico, Mexico

Modèle : \_\_\_\_\_

Date d'achat : \_\_\_\_\_

Sceau du distributeur ou du magasin : \_\_\_\_\_

## ADVERTENCIAS DE SEGURIDAD GENERALES PARA LA HERRAMIENTA ELÉCTRICA

**▲ADVERTENCIA** Lea todas las advertencias de seguridad, instrucciones, ilustraciones y especificaciones con esta herramienta eléctrica. Si no sigue todas las advertencias e instrucciones, se pueden provocar una descarga eléctrica, un incendio o lesiones graves. **Guarde todas las advertencias e instrucciones para consultarlas en el futuro.** El término "herramienta eléctrica" en todas las advertencias incluidas más abajo se refiere a su herramienta operada por conexión (cable) a la red eléctrica o por medio de una batería (inalámbrica).

### SEGURIDAD EN EL ÁREA DE TRABAJO

- **Mantenga el área de trabajo limpia y bien iluminada.** Las áreas desordenadas u oscuras son propicias para los accidentes.
- **No utilice herramientas eléctricas en atmósferas explosivas, tales como en presencia de líquidos, gases o polvos inflamables.** Las herramientas eléctricas generan chispas que pueden encender el polvo o los vapores.
- **Mantenga a los niños y a los espectadores alejados mientras utiliza una herramienta eléctrica.** Las distracciones pueden ocasionar la pérdida de control.

### SEGURIDAD ELÉCTRICA

- **Los enchufes de la herramienta eléctrica deben coincidir con el tomacorriente. Nunca modifique el enchufe de ninguna manera. No utilice adaptadores de enchufe con herramientas eléctricas aterrizadas.** Los enchufes y tomacorrientes correspondientes sin modificar reducirán el riesgo de descarga eléctrica.
- **Evite el contacto corporal con superficies aterrizadas, tales como tuberías, radiadores, estufas y refrigeradores.** Existe un riesgo mayor de descarga eléctrica si su cuerpo está aterrizado.
- **No exponga las herramientas eléctricas a la lluvia ni a condiciones húmedas.** Si se introduce agua en una herramienta eléctrica, aumentará el riesgo de descarga eléctrica.
- **No maltrate el cable. Nunca utilice el cable para cargar, jalar o desconectar la herramienta eléctrica. Mantenga el cable alejado del calor, el aceite, los bordes afilados o las partes en movimiento.** Los cables dañados o enredados aumentan el riesgo de descarga eléctrica.
- **Al utilizar una herramienta eléctrica en exteriores, utilice una extensión adecuada para uso en exteriores.** El uso de una extensión adecuada para el uso en exteriores disminuye el riesgo de descarga eléctrica.
- **Si es inevitable utilizar una herramienta eléctrica en un lugar húmedo, utilice un alimentador de corriente protegido con un interruptor de circuito por falla de conexión a tierra (GFCI).** El uso de un GFCI reduce el riesgo de descarga eléctrica.

### SEGURIDAD PERSONAL

- **Manténgase alerta, atento a lo que está haciendo y utilice el sentido común al utilizar una herramienta eléctrica. No utilice una herramienta eléctrica mientras está cansado o bajo la influencia de drogas, alcohol o medicamentos.** Un momento de

distracción al utilizar herramientas eléctricas puede ocasionar lesiones personales graves.

- **Utilice equipo de protección personal. Siempre use protección para los ojos.** El equipo de protección, tal como una máscara contra polvo, calzado antideslizante, casco o protección auditiva, utilizado para condiciones adecuadas disminuirá las lesiones personales.
- **Evite el arranque accidental. Asegúrese de que el interruptor esté en la posición de apagado antes de conectarlo a una fuente de poder y/o batería, levantar o trasladar la herramienta.** Trasladar herramientas con el dedo en el interruptor o energizar herramientas eléctricas que tienen el interruptor encendido propicia accidentes.
- **Retire cualquier llave de ajuste antes de entender la herramienta.** Una llave que se deje insertada en una parte giratoria de la herramienta eléctrica puede ocasionar lesiones personales.
- **No estire el cuerpo demasiado. Mantenga un buen contacto entre los pies y el suelo y mantenga el equilibrio en todo momento.** Esto permite un mejor control de la herramienta eléctrica en situaciones inesperadas.
- **Vístase adecuadamente. No utilice ropa o joyería holgada. Mantenga el cabello y la ropa alejados de las partes móviles.** La ropa holgada, las alhajas o el cabello largo pueden quedarse atrapados en las partes móviles.
- **Si se proporcionan dispositivos para la conexión de instalaciones de extracción y recolección de polvo, cerciórese de que estén conectados y se utilicen correctamente.** El uso de dispositivos recolectores de polvo puede disminuir los riesgos relacionados con el polvo.
- **No permita que la familiaridad por el uso frecuente de las herramientas lo hagan sentirse seguro e ignoren los principios de seguridad de las herramientas.** Un descuido puede provocar lesiones graves en una fracción de segundo.

### USO Y CUIDADO DE LAS HERRAMIENTAS ELÉCTRICAS

- **No fuerce la herramienta eléctrica. Utilice la herramienta eléctrica correcta para su aplicación.** La herramienta eléctrica correcta realizará el trabajo mejor y con mayor seguridad a la velocidad para la que fue diseñada.
- **No utilice la herramienta eléctrica si el interruptor no la enciende y la apaga.** Cualquier herramienta eléctrica que no pueda controlarse con el interruptor es peligrosa y debe repararse.
- **Desconecte el enchufe de la fuente de energía y/o quite la batería de la herramienta eléctrica, si es posible, antes de realizar cualquier ajuste, cambiar accesorios o almacenar las herramientas eléctricas.** Tales medidas preventivas de seguridad disminuyen el riesgo de que la herramienta eléctrica se encienda accidentalmente.
- **Almacene las herramientas eléctricas que no se estén utilizando fuera del alcance de los niños y no permita que personas que no estén familiarizadas con la herramienta eléctrica o con estas instrucciones la utilicen.** Las herramientas eléctricas son peligrosas en manos de usuarios sin capacitación.
- **Dé mantenimiento a las herramientas eléctricas y accesorios. Verifique que no haya desalinación, amarre de partes móviles, partes rotas o alguna otra condición que pueda afectar el**

funcionamiento de la herramienta eléctrica. Si se daña, asegúrese de que la herramienta eléctrica sea reparada antes de que se utilice. Muchos accidentes son ocasionados por herramientas eléctricas con mantenimiento deficiente.

- **Mantenga las herramientas de corte afiladas y limpias.** Las herramientas de corte correctamente mantenidas con bordes de corte afilados son menos propensas a atorarse y son más fáciles de controlar.
- **Utilice la herramienta eléctrica, los accesorios y las puntas, etc. de acuerdo con estas instrucciones, tomando en cuenta las condiciones de trabajo y el trabajo a realizar.** El uso de la herramienta eléctrica para operaciones diferentes a las previstas podría generar una situación peligrosa.
- **Mantenga las empuñaduras y ñas superficies de sujeción secas, limpias y libres de aceite y grasa.** Las empuñaduras y superficies de sujeción resbalosas no permiten el manejo y control seguros de la herramienta en situaciones inesperadas.

### USO Y CUIDADO DE LAS HERRAMIENTAS CON BATERÍA

- **Recargue únicamente con el cargador especificado por el fabricante.** Un cargador que es adecuado para un tipo de batería puede crear un riesgo de incendio si se utiliza con otra batería.
- **Utilice las herramientas eléctricas únicamente con baterías específicamente diseñadas.** El uso de cualquier otra batería puede producir un riesgo de lesiones e incendio.
- **Cuando la batería no esté en uso, manténgala alejada de otros objetos metálicos como sujetapapeles, monedas, llaves, clavos, tornillos u otros objetos metálicos pequeños que puedan formar una conexión de una terminal a otra.** Crear un corto entre las terminales de la batería puede ocasionar quemaduras o un incendio.
- **Bajo condiciones de maltrato, el líquido puede ser expulsado de la batería, evite el contacto.** En caso de contacto accidental, lave con agua. Si el líquido entra en contacto con los ojos, busque además ayuda médica. El líquido expulsado de la batería puede causar irritación o quemaduras.
- **No use una batería o herramienta que se haya dañado o modificado.** Las baterías dañadas o modificadas pueden mostrar un comportamiento impredecible, causando incendios, explosión o riesgo de lesión.
- **No exponga una batería o herramienta al fuego o a temperatura excesiva.** La exposición a fuego o temperatura a más de 130° C (265° F) puede causar explosiones.
- **Siga todas las instrucciones de carga y no cargue la batería o la herramienta fuera del rango de temperatura especificado en las instrucciones.** La carga incorrecta o a temperaturas fuera del rango especificado puede dañar la batería y aumentar el riesgo de incendio.

### MANTENIMIENTO

- **Lleve su herramienta eléctrica a servicio con un técnico calificado que use únicamente piezas de reemplazo idénticas.** Esto asegurará que la seguridad de la herramienta eléctrica se mantenga.
- **Nunca dé servicio a baterías dañadas.** Únicamente el fabricante o proveedores de servicio autorizados deben dar servicio a las baterías.

### REGLAS ESPECIFICAS DE SEGURIDAD PARA PERFORADORA SACANÚCLEOS

Instrucciones de seguridad para todas las operaciones

- **Use siempre las asas auxiliares.** La pérdida de control puede causar lesiones personales.
- **Sujete la herramienta correctamente antes de usar.** Esta herramienta produce un alto torque de salida y sin la sujeción correcta antes de operar la herramienta, podría presentarse una pérdida de control que puede resultar en una lesión personal.
- **Sostenga la herramienta eléctrica de las superficies de sujeción aisladas al llevar a cabo una operación en la que el accesorio de corte o los sujetadores puedan hacer contacto con cableado oculto.** El contacto de los accesorios o sujetadores de corte con un cable que conduzca electricidad puede hacer que las partes metálicas de la herramienta se electrifiquen y podría ocasionar una descarga eléctrica al operador.

Instrucciones de seguridad al usar brocas largas

- **Nunca opere a una velocidad mayor que la velocidad máxima indicada para la broca.** A velocidades mayores, es probable que la broca se doble si se le permite girar libremente sin contacto con la pieza de trabajo, resultando en una lesión personal.
- **Siempre empiece a perforar a velocidad baja y con la punta de la broca en contacto con la pieza de trabajo.** A velocidades mayores, es probable que la broca se doble si se le permite girar libremente sin contacto con la pieza de trabajo, resultando en una lesión personal.
- **Aplice presión únicamente en línea directa con la broca y no intente aplicar una presión excesiva.** Las brocas pueden doblarse y provocar que se rompan o se pierda el control, resultando en una lesión personal.

### REGLAS ESPECIFICAS DE SEGURIDAD PARA LOS SOPORTES DE SACANÚCLEOS

Advertencias de seguridad en la perforación con punta de diamante

- **Al hacer una perforación que requiere el uso de agua, dirija el agua alejada del área de trabajo del operador o use un dispositivo de recolección de líquido.** Dichas medidas de precaución mantienen el área de trabajo del operador seca y reducen el riesgo de choque eléctrico.
- **Al realizar una operación donde el accesorio de corte pueda entrar en contacto con cableado oculto o con su propio cable, opere la herramienta eléctrica sujetándola de las superficies de empuñadura aisladas.** El contacto del accesorio de corte con un cable que conduzca electricidad puede hacer que las partes metálicas de la herramienta se electrifiquen y podría ocasionar una descarga eléctrica al operador.
- **Utilice protectores auditivos al usar un taladro con punta de diamante.** La exposición al ruido puede causar pérdida auditiva.
- **Cuando la broca se atasque, deje de aplicar presión hacia abajo y apague la herramienta.** Investigue y siga acciones correctivas para eliminar la causa de atasco de la broca.

• **Al reiniciar una perforación con punta de diamante en la pieza de trabajo, verifique que la broca gire libremente antes de empezar.** Si la broca está atascada, puede no arrancar, puede sobrecargar la herramienta u ocasionar que el taladro con broca de diamante se separe de la pieza de trabajo.

• **Al sujetar la base del taladro con anclas o sujetadores a la pieza de trabajo, asegúrese de que las anclas utilizadas sean capaces de sujetar la máquina e impedir que se mueva durante su uso.** Si la pieza de trabajo es débil o porosa, el ancla puede salirse, ocasionando que la base del taladro se suelte de la pieza de trabajo.

• **Al sujetar la base del taladro con una ventosa de vacío a la pieza de trabajo, instale la ventosa en una superficie lisa, limpia y no porosa. No la sujete a superficies laminadas como azulejo y recubrimientos compuestos.** Si la pieza de trabajo no es lisa, plana o no está bien fija, la ventosa puede separarse de la pieza de trabajo.

• **Asegúrese de que haya suficiente vacío antes y durante la perforación.** Si el vacío es insuficiente, la ventosa puede soltarse de la pieza de trabajo.

• **Nunca perforo con la máquina fijada únicamente con la ventosa de vacío, excepto cuando perforo hacia abajo.** Si se pierde el vacío, la ventosa se soltará de la pieza de trabajo.

• **Al perforar muros o cielos rasos, asegúrese de proteger a las personas y el área de trabajo del otro lado.** La broca puede extenderse por el agujero o el núcleo puede caer del otro lado.

• **No utilice esta herramienta para perforar en superficies sobre el nivel de la cabeza con suministro de agua.** Si se introduce agua en la herramienta, aumentará el riesgo de descarga eléctrica.

## REGLAS DE SEGURIDAD ESPECÍFICAS ADICIONALES

Realice un mantenimiento minucioso a las herramientas. Mantenga las empuñaduras secas, limpias y libres de aceite y grasa. Mantenga los bordes de corte afilados y limpios. Siga las instrucciones para lubricar y cambiar accesorios. Revise periódicamente los cables y las baterías de las herramientas y las extensiones en busca de daño. Las piezas dañadas deben ser reparadas o reemplazadas en un centro de servicio MILWAUKEE.

• **ADVERTENCIA** Para reducir el riesgo de lesiones, al momento de realizar trabajos en situaciones donde haya presencia de polvo, utilice la protección respiratoria adecuada o utilice una solución de extracción de polvo que cumpla con los requisitos de la OSHA.

• **Válgase siempre de su sentido común y sea cuidadoso cuando utilice herramientas.** No es posible anticipar todas las situaciones que podrían tener un desenlace peligroso. No utilice esta herramienta si no entiende estas instrucciones de uso o si considera que el trabajo a realizar supera sus capacidades, comuníquese con Milwaukee Tool o con un profesional capacitado para recibir capacitación o información adicional.

• **Conserve las etiquetas y las placas nominales.** Contienen información importante. Si son ilegibles o no están presentes, comuníquese con un centro de servicio MILWAUKEE para obtener un reemplazo gratuito.

• **ADVERTENCIA** Algunos polvos generados por el lijado eléctrico, aserrado, pulido, taladrado y otras actividades de construcción contienen químicos identificados como causantes de cáncer, defectos congénitos u otros daños reproductivos. Algunos ejemplos de estos químicos son: plomo de pintura basada en plomo dióxido de silicio de los ladrillos y el cemento y otros productos de albañilería y arsénico y cromo de madera con tratamiento químico. Su riesgo por estas exposiciones varía, dependiendo de la frecuencia con que realice este tipo de trabajo. Para reducir su exposición a estos químicos: trabaje en un área bien ventilada y trabaje con equipo de seguridad aprobado, como mascarillas protectoras contra polvo especialmente diseñadas para filtrar partículas microscópicas.

## SIMBOLOGÍA



Volts



Corriente continua

$n_r$  XXXX min<sup>-1</sup> Revoluciones por minuto sin carga (RPM)



**PRECAUCIÓN** Riesgo de choque eléctrico.



Lea el manual del operador.

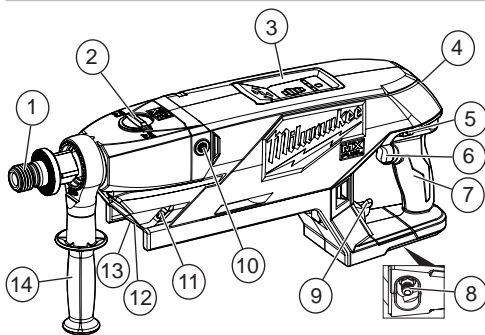


Siempre utilice protección para los ojos. Utilice protección auditiva y respiratoria apropiada.



UL Listing Mark para Canadá y Estados Unidos

## DESCRIPCIÓN FUNCIONAL



1. Husillo
2. Selector de velocidad
3. Centro de comando
4. Botón de armado
5. Seguro de gatillo
6. Gatillo
7. Empuñadura
8. Conexión rápida de agua
9. Válvula de agua
10. Ubicaciones de la empuñadura lateral
11. Lámparas de trabajo
12. Seguro del pestillo de la batería
13. Palanca del pestillo de la batería
14. Empuñadura lateral

## ESPECIFICACIONES

Cat. No. ....	MXF301-0
Tipo de batería .....	MX FUEL™
Tipo de cargador .....	MX FUEL™
Temperatura ambiente recomendada para operar .....	-18°C a 50°C (0°F a 125°F)
RPM sin carga .....	0 - 800 / 0 - 1 600
Capacidad máx. de broca .....	152 mm (6")
Rosca del husillo .....	1-1/4" - 7
Adaptador del husillo de 5/8"-11 .....	48-17-6005
Presión máx. de entrada .....	6,2 bar (90 psi)

## ENSAMBLAJE

**⚠ ADVERTENCIA** Recargue la batería sólo con el cargador especificado para ella. Para instrucciones específicas sobre cómo cargar, lea el manual del operador suministrado con su cargador y la batería.

### Retiro/inserción de la batería

Para retirar la batería, presione el seguro del broche para moverlo hacia un lado y apriete la palanca del broche. Jale la batería para sacarla de la herramienta.

**⚠ ADVERTENCIA** Para reducir el riesgo de lesiones, extraiga siempre la batería antes de acoplar o desacoplar accesorios.

Para introducir la batería, deslícela en el cuerpo de la herramienta. Asegúrese de que quede bien firme en su posición.

**⚠ ADVERTENCIA** Utilice únicamente accesorios específicamente recomendados para esta herramienta. El uso de accesorios no recomendados podría resultar peligroso.

**Seleccionar e instalar una broca sacanúcleos**  
MILWAUKEE ofrece brocas sacanúcleos que están diseñadas para cortar a través de una variedad de materiales, que incluyen el concreto vaciado, concreto reforzado con acero y el concreto pretensado. Seleccione el estilo propio y tamaño de la broca para el trabajo. Siempre utilice brocas limpias, afiladas y colocadas correctamente. Utilice brocas sacanúcleos con una rosca de 32 mm - 118 (1-1/4" - 7). Las brocas con una rosca de 16 mm-279 mm (5/8"-11) pueden utilizarse con un adaptador 48-17-6005.

1. Para **instalar** la broca, extraiga la batería.
2. Enrosque la broca firmemente en el husillo.
3. Sostenga el cuello con firmeza (con la mano o con una llave de extremo abierto de 32 mm (1-1/4") o ajustable) y apriete la broca con firmeza.
4. Para **retirar** la broca, extraiga la batería.
5. Coloque la llave de extremo abierto de 32 mm (1-1/4") o ajustable, y una llave de 44 mm (1-3/4") o ajustable en la broca.
6. Sostenga la llave del cuello con firmeza mientras utiliza la llave de la broca para aflojarla.

### Brocas sacanúcleos con punta de diamante

Las siguientes condiciones pueden influir de gran manera el desempeño del sacanúcleos con punta de diamante.

- Cantidad de agua
- RPM del motor del sacanúcleos
- Desgaste de la broca
- Cantidad de acero
- Tamaño del acero incrustado
- Edad del concreto
- Agregado (tamaño, tipo, dureza y abrasividad)

- Tipo de arena: fabricada frente a río (natural)
- Técnica del operador
- Cuidado del operador
- Presión de alimentación aplicada a la broca por parte del operador
- Rigidez y condición del soporte de la perforadora sacanúcleos

### Para extender la vida de la broca sacanúcleos:

- Elija la broca correcta para el trabajo. Considere el tamaño, agregado, arena, etc.
- Al utilizar una broca nueva, utilice poca presión de alimentación para los primeros 2 o 3 agujeros, a fin de que el diamante nuevo rompa gradualmente.
- Alimente las brocas muy lentamente en la superficie de trabajo. Utilice poca presión de alimentación hasta que la corona de la broca haya penetrado o se haya "asentado" en el material.
- Si la broca sacanúcleos se encuentra con acero incrustado, disminuya la presión de la alimentación y permita que la broca perforo a su propio ritmo. No fuerce la tuerca. Generalmente, el agua alrededor de la tuerca será clara cuando se encuentre con acero incrustado.
- Minimice toda la vibración. Haga más lenta la alimentación cuando sea necesario. La vibración provocará rotura o arranque severo del diamante.
- Utilice brocas afiladas.

**⚠ ADVERTENCIA** Para reducir el riesgo de lesiones, al momento de

realizar trabajos en situaciones donde haya presencia de polvo, utilice la protección respiratoria adecuada o utilice una solución de extracción de polvo que cumpla con los requisitos de la OSHA. Al perforar con agua, aléjela del área de trabajo o utilice un dispositivo de recolección de líquidos para mantener el área seca y reducir el riesgo de choque eléctrico. No permita que el agua fluya dentro de la herramienta o batería.

### Suministro de agua

El agua provee varios beneficios durante la perforación:

- El agua actúa como enfriador, eliminando el calor provocado por la fricción de la acción perforadora. Esto conserva la integridad de los diamantes, la matriz de unión, el soldador de segmento y el tubo perforador. Sin un enfriador, la acumulación de calor durante la perforación puede provocar que fallen todos estos componentes.
- El agua descarga partículas sueltas, abrasivas que se crean durante la perforación. Estas partículas consisten en agregado, arena, partículas de diamante y varios metales del acero incrustado y la matriz de la tuerca sacanúcleos. El agujero no debe tener residuos para permitir que funcione la broca sacanúcleos. Si no se descargan correctamente las partículas sueltas del agujero, podría haber un arrastre innecesario al lado de la broca sacanúcleos de diamante. Esto puede contribuir a que se cristalice la broca por falta de potencia, además de daño al motor por incrementos de amperaje debido a la resistencia de la broca. Además, las partículas flojas tienden a desgastar el tubo de la broca, lo que puede causar eventualmente la pérdida de segmentos.
- El agua mantiene bajos los niveles de polvo, que representa un lugar de trabajo más limpio y saludable. **⚠ ADVERTENCIA!** Siempre utilice una solución de extracción que cumpla con la norma OSHA.

Para prevenir un polvo visible, un suministro de agua adecuado debe fluir libre y constantemente durante todo el corte. Estas perforadoras sacanúcleos cuentan con un sistema de agua integrado para permitir que el agua fluya por adentro y subir alrededor de la parte externa de la broca. ¡**ADVERTENCIA!** Al perforar con agua, aléjela del área de trabajo o utilice un dispositivo de recolección de líquidos para mantener el área seca y reducir el riesgo de choque eléctrico.

1. Utilice agua limpia únicamente a menos de 90 psi.
2. Ajuste una conexión rápida estándar a una manguera de jardín y meta a presión dentro de la conexión de la perforadora sacanúcleos.
3. No utilice mangueras que estén deformadas, gastadas o dañadas.
4. Utilice la válvula de agua para encender y apagar el suministro de agua cuando perfore.

**⚠ADVERTENCIA** Para reducir el riesgo de lesiones, siempre utilice una empuñadura lateral durante las operaciones manuales. Siempre sostenga o sujete con firmeza. Asegúrese de que la empuñadura lateral esté bien apretada antes de cada uso. Siempre esté preparado para una reacción de amarre y de perforación sacanúcleos.

### Ajuste de la empuñadura lateral

La empuñadura lateral puede utilizarse en la parte frontal de la herramienta en cualquier orientación, o en la mitad de la herramienta en uno de los lugares de la empuñadura lateral.

Para instalar la empuñadura lateral en el cuello de la perforadora sacanúcleos:

1. Afloje el agarre de la empuñadura lateral hasta que el aro de la empuñadura lateral pueda oprimirse hacia el cuello de la perforadora sacanúcleos.
2. Posicione el mango de la empuñadura lateral como lo desee.
3. Gire ligeramente el cuello para asegurarse de que el tope entre a presión en su lugar.
4. Apriete a mano el mango de la empuñadura lateral con firmeza.

Para instalar la empuñadura lateral en un lugar de empuñadura lateral:

1. Destornille completamente el mango de la empuñadura lateral del aro de la empuñadura lateral.
2. Seleccione la ubicación de la empuñadura lateral y enrosque el mango de la empuñadura lateral.
3. Apriete a mano el mango de la empuñadura lateral con firmeza.

### Montar la perforadora sacanúcleos a un soporte

**⚠ADVERTENCIA** Always remove battery pack before installing the core drill on a stand.

1. Instale la perforadora sacanúcleos en el soporte según las instrucciones del soporte de la perforadora sacanúcleos. MILWAUKEE recomienda utilizar un soporte de perforadora sacanúcleos MILWAUKEE (Cat. No. 3000) con esta herramienta. Un adaptador de perforadora sacanúcleos MILWAUKEE MX FUEL™ (Cat. No. 49-67-0105) está disponible para fijar esta perforadora sacanúcleos a estilos anteriores de soportes de perforadora MILWAUKEE.

2. Después de montar la perforadora sacanúcleos, asegúrese de que el transportador esté rígido contra el mástil. Un transportador flojo puede permitir que la perforadora sacanúcleos o la broca esté tambaleante durante la perforación. Contonee la perforadora sacanúcleos de adelante hacia atrás y de lado a lado. Si se mueve, ajuste según las instrucciones del soporte de perforadora sacanúcleos.

3. Antes de utilizar, fije la perforadora sacanúcleos y el soporte con una ventosa de vacío, pernos de expansión u otro método recomendado. ¡**ADVERTENCIA!** No dependa del peso del soporte, del soporte de apuntalamiento únicamente o del peso corporal en el soporte para fijar durante el uso. El soporte girará y provocará lesiones.

4. Para retirar la perforadora sacanúcleos, ajuste según las instrucciones del soporte de perforadora sacanúcleos.

## OPERACION


### Selección de velocidad

Seleccione la velocidad según el diámetro de la broca y los materiales. Cambié las velocidades únicamente cuando la perforadora sacanúcleos esté detenida.

Seleccione de 76 mm - 152 mm (3" - 6") para velocidad baja, que es apropiado para esos tamaños de broca de perforadora y para cortar varillas, agujeros profundos y agregado duro.

Seleccione de 25 mm - 76 mm (1" - 3") para velocidad alta, que es apropiado para esos tamaños de broca de perforadora y para cortar en materiales más suaves.

### Bloqueo del gatillo

Para **bloquear** el gatillo, deslice el seguro del gatillo a la posición  de bloqueo.

Para **desbloquear** el gatillo, deslice el seguro del gatillo a la posición  de desbloqueo.

El gatillo no funcionará mientras el seguro del gatillo esté en posición de bloqueado.

Siempre bloquee el gatillo, desarme la herramienta o quite la batería antes de realizar mantenimiento, cambiar accesorios, guardar la herramienta y en cualquier momento en que la herramienta no esté en uso.

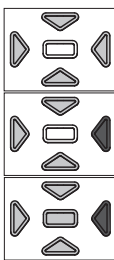
### Centro de comando

El centro de comando provee retroalimentación durante la perforación, permitiéndole ayudar a prevenir una sobrecarga del motor y desgaste prematuro de la broca.

### Nivel digital

Utilice el nivel digital para asegurarse de que el agujero esté nivelado durante toda la operación. Utilice el nivel digital para alinear correctamente la perforadora sacanúcleos durante el uso manual, o al instalar en el soporte de la perforadora sacanúcleos. Las cuatro luces LED de flecha roja indican dónde está desnivelada la herramienta y la dirección a la que se debe mover la empuñadura de la herramienta para nivelarse. La luz LED blanca central indica que la herramienta está nivelada.

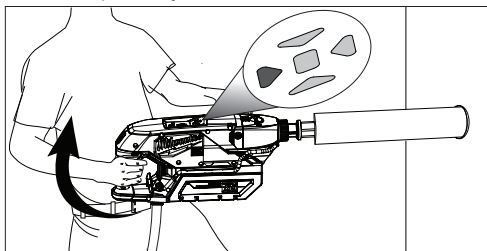
• Cuando esté nivelada, la luz LED blanca central se iluminará (<1,5° de desnivel).



• Cuando esté "ligeramente" desnivelada, se encenderá la luz LED blanca central y la roja relacionada con la dirección desnivelada (1,5° - 2,7° de desnivel).

• Cuando esté "muy" desnivelada, se encenderá la luz LED roja relacionada con la dirección desnivelada (>2,7° de desnivel).

Durante la perforación horizontal, no se utilizan las flechas izquierda y derecha.



### Indicador de desempeño

El indicador de desempeño provee retroalimentación de presión. Las luces LED se iluminarán una a una mientras se aplica presión a la broca. Aumente o disminuya la presión en la broca para alcanzar la "presión ideal" verde.

**NOTA:** La mejor manera de obtener la "presión ideal" verde es con un soporte de perforadora sacanúcleos. La mayoría de las aplicaciones manuales resultarán en presiones "regulares" amarillas o "buenas" verdes.

Al utilizar brocas con punta de diamante nuevas, siga las instrucciones del fabricante para introducir las (ver "brocas sacanúcleos con punta de diamante"). Después de que se introdujeron las brocas, la baja presión de la alimentación pulirá los diamantes, reducirá la velocidad de penetración y contribuye a la cristalización de la broca. La presión de alimentación alta puede sobrecargar el motor de la perforadora sacanúcleos o provocar que los diamantes salgan prematuramente, en particular al perforar acero incrustado. Haga que funcione la broca, pero no intente atascarla dentro del material.

### Indicador de combustible

Cuando la herramienta esté armada, el indicador de combustible muestra el tiempo restante de operación de la batería. El indicador de combustible refleja al indicador de combustible de la batería. Cuando quede menos de 10 % de carga, una luz del indicador de combustible parpadeará. Cuando la batería alcance el 0 % de carga, el indicador de combustible parpadeará 8 veces. Cargue la batería.

10-32%

32-55%

55-77%

77-100%

**Menos del 10% si la primera luz parpadea 4 veces**

### ONE-KEY™

Para obtener más información acerca de la funcionalidad de ONE-KEY™ para esta herramienta, consulte la Guía de inicio rápido que se incluye con este producto o visite [milwaukeeetool.com/One-Key](http://milwaukeeetool.com/One-Key). Para descargar la aplicación ONE-KEY™, visite la App Store o Google Play desde su dispositivo inteligente.

Indicador ONE-KEY™	
Azul fijo	El modo inalámbrico está activo y listo para configurar a través de la aplicación ONE-KEY™.
Azul intermitente	La herramienta tiene una comunicación activa con la aplicación ONE-KEY™.
Rojo intermitente	La herramienta tiene activo el bloqueo de seguridad y sólo podrá desbloquearla el dueño a través de la aplicación ONE-KEY™.

**⚠ ADVERTENCIA** Para reducir el riesgo de lesión, siempre revise que el área de trabajo no tenga cables antes de perforar. Siempre utilice la protección de ojos adecuada indicada para cumplir con lo dispuesto en la norma ANSI Z87.1.

Al momento de realizar trabajos en situaciones donde haya presencia de polvo, utilice la protección respiratoria adecuada o utilice una solución de extracción de polvo que cumpla con los requisitos de la OSHA.

Al perforar con agua, aléjela del área de trabajo o utilice un dispositivo de recolección de líquidos para mantener el área seca y reducir el riesgo de choque eléctrico. No permita que el agua fluya dentro de la herramienta o batería.

Tenga mucho cuidado al perforar pisos. Proporcione protección a todo el personal y al material debajo del área. Los núcleos generalmente se caen de la broca al terminar el agujero.

Para reducir el riesgo de lesiones, siempre utilice una empuñadura lateral durante las operaciones manuales. Siempre sostenga o sujete con firmeza. Asegúrese de que la empuñadura lateral esté bien apretada antes de cada uso. Siempre esté preparado para una reacción de amarre y de perforación sacanúcleos.

### Armado de la herramienta

Las herramientas MX Fuel™ deben armarse antes de su uso. Incluso con la batería insertada, el gatillo y las funciones de la herramienta no operarán hasta que se arme la herramienta.

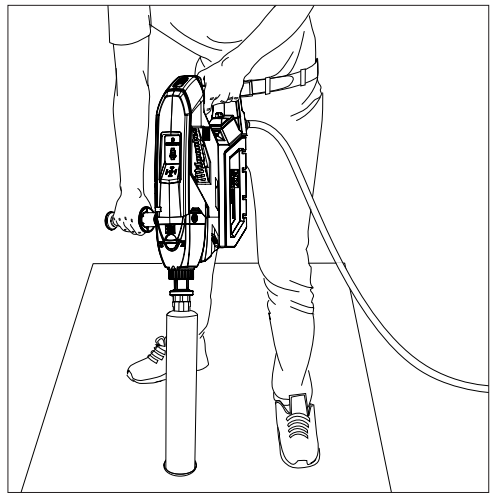
Para armar la herramienta:

1. Inserte la batería.
2. Pulse el botón Brazo. El icono MX FUEL™ se encenderá. El gatillo se armará en 2 segundos.
3. Después de 15 minutos de inactividad, la herramienta entrará en modo de suspensión. El icono de MX FUEL™ se apagará y el gatillo y las luces LED ya no podrán operarse.
4. Oprima y sostenga el botón de armado por un segundo para reactivar la herramienta.
5. Oprima y sostenga el botón de armado por un segundo para desarmar (apagar) la herramienta. El icono de MX FUEL™ se apagará.




## Perforación sacanúcleos manual

1. Instale la broca y seleccione la velocidad.
2. Inserte la batería.
3. Arme la herramienta.
4. Encienda el flujo de agua en la broca, abriendo la válvula de agua. **¡ADVERTENCIA!** Al perforar con agua, aléjela del área de trabajo o utilice un dispositivo de recolección de líquidos para mantener el área seca y reducir el riesgo de choque eléctrico.
5. Oprima el seguro de gatillo a la posición de desbloqueo.
6. Sostenga las empuñaduras con firmeza y alinee la broca.
7. Utilice el nivel digital para asegurarse de que la perforadora sacanúcleos esté nivelada durante toda la operación.
8. Para arrancar la herramienta, oprima el gatillo.  
**NOTA:** Se enciende una lámpara de trabajo cuando se jala el gatillo.
9. Alimente las brocas muy lentamente en la superficie de trabajo. Utilice poca presión de alimentación hasta que la corona de la broca haya penetrado o se haya "asentado" en el material.
10. Una vez que la broca esté "asentada", utilice el indicador de desempeño para determinar si se está usando la presión correcta en el corte. Aumente o disminuya la presión según sea necesario. Demasiada presión hará la tuerca más lenta y reducirá la eficacia de perforación; reduzca ligeramente la presión para permitir que la tuerca recupere velocidad. Muy poca presión provocará que la broca se deslice por el área de trabajo y entorpezca la punta de la broca.
11. Para **cambiar** la velocidad, aumente o disminuya la presión sobre el gatillo. Mientras más se jale el gatillo, mayor será la velocidad.
12. Supervise el flujo del agua. Ajuste la válvula del agua para que el agua que regrese tenga un color lodoso sólido. El agua clara o chorros claros indican mucho volumen de agua y reducirá la vida de la broca. Los volúmenes de agua correctos varían según el diámetro de la broca. Utilice solo suficiente agua durante la perforación para enjuagar los residuos de la superficie de trabajo.
13. Para **detener** la herramienta, retire la broca del agujero y libere el gatillo. Asegúrese de que la broca se detenga por completo antes de bajar la herramienta.
14. Si la broca se atasca, libere el gatillo y espere a que se detenga por completo. Libere la broca del lugar de trabajo.
15. Oprima el seguro de gatillo a la posición de bloqueo.
16. Cierre la válvula de agua.
17. Presione el botón de armado para apagar la herramienta.
18. Consulte "Retirar los núcleos y perforación profunda" para conocer las instrucciones sobre retirar núcleos.

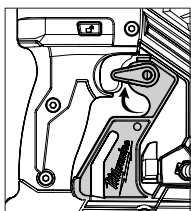



## Perforadora sacanúcleos en soporte

**▲ADVERTENCIA** Para reducir el riesgo de lesión, no perforo a menos que haya logrado el vacío correcto cuando el soporte esté sujetado con un sistema de vacío.

1. Instale la perforadora sacanúcleos en el soporte según las instrucciones del soporte de la perforadora sacanúcleos (vea "Montar la perforadora sacanúcleos a un soporte").
2. Sujete el equipo a la superficie de trabajo según las instrucciones del soporte de perforadora sacanúcleos. **¡ADVERTENCIA!** No dependa del peso del soporte, del soporte de apuntalamiento únicamente o del peso corporal en el soporte para fijar durante el uso. El soporte girará y provocará lesiones.
3. Utilice el nivel digital para asegurarse de que la perforadora sacanúcleos esté nivelada.
4. Instale la broca y seleccione la velocidad.
5. Inserte el seguro de gatillo (opcional), pero NO accione el gatillo.
6. Al utilizar un sistema de vacío, siga las instrucciones del fabricante. **¡ADVERTENCIA!** No perforo a menos que se haya logrado un vacío correcto. Siempre supervise el indicador de vacío durante la perforación.
7. Inserte la batería.
8. Arme la herramienta.
9. Encienda el flujo de agua en la broca, abriendo la válvula de agua. **¡ADVERTENCIA!** Al perforar con agua, aléjela del área de trabajo o utilice un dispositivo de recolección de líquidos para mantener el área seca y reducir el riesgo de choque eléctrico.
10. Oprima el seguro de gatillo a la posición  de desbloqueo.
11. Utilice el nivel digital para asegurarse de que la perforadora sacanúcleos esté nivelada durante toda la operación.

- Para **arrancar** la herramienta, oprima el gatillo. Gire el seguro de gatillo para accionarlo.



- NOTA:** Se enciende una lámpara de trabajo cuando se jala el gatillo.
- Alimente las brocas muy lentamente en la superficie de trabajo. Utilice poca presión de alimentación hasta que la corona de la broca haya penetrado o se haya "asentado" en el material.
  - Una vez que la broca esté "asentada", utilice el indicador de desempeño para determinar si se está usando la presión correcta en el corte. Aumente o disminuya la presión según sea necesario. Demasiada presión hará la tuerca más lenta y reducirá la eficacia de perforación; reduzca ligeramente la presión para permitir que la tuerca recupere velocidad. Muy poca presión provocará que la broca se deslice por el área de trabajo y entorpezca la punta de la broca.
  - Para **cambiar** la velocidad, aumente o disminuya la presión sobre el gatillo. Mientras más se jale el gatillo, mayor será la velocidad.
  - Supervise el flujo del agua. Ajuste la válvula del agua para que el agua que regrese tenga un color lodoso sólido. El agua clara o chorros claros indican mucho volumen de agua y reducirá la vida de la broca. Los volúmenes de agua correctos varían según el diámetro de la broca. Utilice solo suficiente agua durante la perforación para enjuagar los residuos de la superficie de trabajo.
  - Cuando el corte esté completo, eleve la broca del corte.
  - Para **detener** la herramienta, retire la broca del agujero y libere el gatillo. Al utilizar el seguro de gatillo, gírelo para desactivar el gatillo. Asegúrese de que la broca se detenga por completo antes de bajar la herramienta.
  - Si la broca se atasca, libere el gatillo y espere a que se detenga por completo. Libere la broca del lugar de trabajo.
  - Oprima el seguro de gatillo a la posición  de bloqueo.
  - Cierre la válvula de agua.
  - Presione el botón de armado para apagar la herramienta
  - Consulte "Retirar los núcleos y perforación profunda" para conocer las instrucciones sobre retirar núcleos.

### Obtener los núcleos y perforación profunda

Al perforar los agujeros que son más profundos que la broca sacanúcleos:

- Perfore el agujero. Una vez que se haya cortado a la profundidad máxima, retire la broca del agujero y detenga la herramienta.
- Retire el núcleo utilizando un cincel o cuña delgada en el corte, entre el núcleo y la superficie de trabajo. Otros artículos, como pinzas para sacar núcleos, un alambre doblado o pernos de anclaje también pueden utilizarse para retirar los núcleos. Puede ser difícil retirar núcleos con diámetros mayores que el doble de su longitud. Un método es romper el núcleo en pedazos más pequeños y luego retirar las piezas.

- Vuelva a instalar la broca con una extensión de broca, si es necesario, y continúe perforando.

### Resolución de problemas

#### Vibración

- Detenga la perforación.
  - Apague la perforadora sacanúcleos.
  - Retire la batería.
  - Revise que no haya tuercas y pernos sueltos. Apriete si es necesario.
  - Revise que no haya un desgaste excesivo de la broca. Reemplace si es necesario.
- Si continúa una vibración, retire el núcleo y material suelto. Si la vibración continúa después de intentar estas medidas, devuelva el equipo a la instalación de servicio MILWAUKEE más cercana.

#### Amarre de la broca

El amarre de la broca es provocado por uno de dos motivos: una tuerca torpe (cristalizada) o un soporte mal estabilizado.

Causas de la cristalización de la broca:

- RPM equivocadas para el diámetro de la tuerca
- Alta presión de alimentación
- Baja presión de alimentación
- Alto contenido de acero en la superficie de trabajo
- Agregado grande y duro
- Demasiada agua
- Baja potencia del motor

Una broca afilada generalmente tiene una buena exposición de diamante y cortará/molerá casi todo lo que esté en su camino, incluido el acero incrustado.

### MANTENIMIENTO

**⚠ ADVERTENCIA** Para reducir el riesgo de una lesión, desconecte siempre la herramienta antes de darle cualquier mantenimiento. Nunca desarme la herramienta ni trate de hacer modificaciones en el sistema eléctrico de la misma. Acuda siempre a un Centro de Servicio MILWAUKEE para TODAS las reparaciones.

#### Mantenimiento de las herramientas

Adopte un programa regular de mantenimiento y mantenga su herramienta en buenas condiciones. Inspeccione la herramienta para problemas como ruidos indebidos, desalineadas o agarradas de partes móviles, piezas rotas o cualquier otra condición que pueda afectar el funcionamiento de la herramienta. Envíe su herramienta al Centro de Servicio MILWAUKEE para reparación. Después de 6 meses a un año, dependiendo del uso dado, envíe su herramienta al Centro de Servicio MILWAUKEE más cercano para la inspección. Si la herramienta no arranca u opera a toda su potencia con una batería completamente cargada, limpie, con una goma o borrador, los contactos de la batería y de la herramienta. Si aun así la herramienta no trabaja correctamente, regrésela, con el cargador y la batería, a un centro de servicio MILWAUKEE.

## ONE-KEY™

### **ADVERTENCIA** Riesgo de quemadura química.

Este dispositivo contiene una batería de botón/tipo moneda de litio. Una batería nueva o usada puede causar quemaduras internas graves y causar la muerte tan solo en 2 horas si se ingiere o entra al cuerpo. Siempre asegure la cubierta de la batería. Si no se cierra con firmeza, deje de usar el dispositivo, retire las baterías y manténgala alejada de los niños. Si cree que las baterías pudieron ser ingeridas o entraron al cuerpo, busque atención médica de inmediato.



### Batería interna

Se usa una batería interna para facilitar toda la funcionalidad de ONE-KEY™.

Si el indicador LED de modo se apaga y la herramienta no puede ajustar la velocidad, o si la comunicación Bluetooth deja de funcionar, quite y vuelva a insertar la batería de la celda de la moneda para reiniciarla. Reemplace la batería si el problema persiste. Para reemplazar la batería:

1. Retire el paquete de baterías.
2. Retire el tornillo y abra la tapa de la batería.
3. Saque el panel de las baterías y retire la batería vieja. Mantenga fuera del alcance de los niños y deseché correctamente.
4. Inserte la nueva batería (3V CR2032), con el lado positivo hacia arriba.
5. Cierre la tapa de la batería y apriete el tornillo (s) con firmeza.

**ADVERTENCIA** Para reducir el riesgo de lesiones, descarga eléctrica o daño a la herramienta, nunca la sumerja en líquidos ni permita que estos fluyan dentro de la misma.

### Limpieza

Limpie el polvo y suciedad de las ventilas. Mantenga los mangos limpios, secos y libres de aceite o grasa. Use solo jabón neutro y un trapo húmedo para limpiar, ya que algunos substancias y solventes limpiadores son dañinos a los plásticos y partes aislantes. Algunos de estos incluyen: gasolina, turpentina, thinner, lacas, thinner para pinturas, solventes para limpieza con cloro, amoníaco y detergentes caseros que tengan amonía. Nunca usa solventes inflamables o combustibles cerca de una herramienta.

### Limpieza de la batería y el compartimiento

Mantenga las conexiones y superficies de la batería que están entre esta y la herramienta libres de residuos y materiales.

No tener limpias las superficies podrá causar una desalineación o daños en la conexión de la batería.

### Reparaciones

Si su herramienta, batería o cargador están dañados, envíela al centro de servicio más cercano.

## ACCESORIOS

**ADVERTENCIA** Utilice sólo los accesorios específicamente recomendados. Otros accesorios puede ser peligroso.

Para una lista completa de accesorios, visite nuestro sitio en Internet: [www.milwaukeeetool.com](http://www.milwaukeeetool.com) o póngase en contacto con un distribuidor.

## SOPORTE DE SERVICIO - MEXICO

### CENTRO DE ATENCION A CLIENTES

Techtron Industries Mexico, S.A. de C.V.

Av. Presidente Masarik 29 Piso 7

11560 Polanco V Seccion

Miguel Hidalgo, Distrito Federal, México

01 (800) 030-7777 o (55) 4160-3540

Lunes a Viernes (9am a 6pm)

O contáctanos en [www.milwaukeeetool.com.mx](http://www.milwaukeeetool.com.mx)

### GARANTÍA LIMITADA - E.U.A. Y CANADÁ

Cada el producto, batería y cargador MX FUEL™ de MILWAUKEE únicamente está garantizados para el comprador original únicamente de que no tengan material y mano de obra defectuosos. Conforme a ciertas excepciones, MILWAUKEE reparará o reemplazará cualquier pieza de el producto, batería y cargador MX FUEL™ que tenga defectos de material o mano de obra según lo determine MILWAUKEE mediante una revisión, por un periodo de dos (2) años después de la fecha de compra. Al devolver el producto, batería y cargador MX FUEL™ a un Centro de Servicio de la fábrica de MILWAUKEE o a una Estación de Servicio Autorizada de MILWAUKEE, se requiere que el flete esté pagado por adelantado y asegurado. Para consultar información acerca del procedimiento de envío adecuado de las baterías, comuníquese al número 1.800.SAWDUST (1.800.729.3878) o visite el sitio web [www.milwaukeeetool.com](http://www.milwaukeeetool.com). Se debe incluir una copia del comprobante de compra con el producto devuelto. Esta garantía no aplica a daños que MILWAUKEE determine que son ocasionados por reparaciones o intentos de reparaciones realizados por una persona que no sea personal autorizado de MILWAUKEE, uso indebido, alteraciones, maltrato, desgaste normal, falta de mantenimiento o accidentes.

Desgaste normal: Muchos productos MX FUEL™ necesitan la sustitución periódica de sus piezas así como de mantenimiento para brindar su máximo rendimiento. Esta garantía no cubre reparaciones cuando el uso normal haya agotado la vida útil de una pieza que incluye, entre otros, las bandas de accionamiento y de asistencias, las poleas, las bridas de disco, las juntas de vacío, las empuñaduras sin herramientas, los broches de guía, los patines, los acopladores de accionamiento, las zapatas de goma, la alimentación automática, los bloques estabilizadores, las ruedas, las ruedas de transportación, los cables, los anillos tóricos, los sellos, los protectores, las hojas de accionamiento, los pistones, los percutores, los levantadores, los portaherramientas y las arandelas de cubierta de los protectores.

No se requiere el registro de la garantía para obtener la garantía correspondiente en un producto, batería y cargador MX FUEL™. LA ACEPTACIÓN DE LOS RESARCIMIENTOS EXCLUSIVOS DE REPARACIÓN Y REEMPLAZO AQUÍ DESCRITOS ES UNA CONDICIÓN DEL CONTRATO PARA LA COMPRA DE TODO PRODUCTO DE MILWAUKEE. SI USTED NO ACEPTA ESTA CONDICIÓN, NO DEBE COMPRAR EL PRODUCTO. MILWAUKEE NO SERÁ RESPONSABLE EN NINGUN CASO DE DAÑOS INCIDENTALES, ESPECIALES, EMERGENTES O PUNITIVOS NI DE NINGUN COSTO, HONORARIOS LEGALES, GASTOS, PÉRDIDAS O DEMORAS ALEGADAS COMO CONSECUENCIA DE ALGUN DAÑO, FALLA O DEFECTO EN NINGUN PRODUCTO, INCLUYENDO, ENTRE OTROS, RECLAMACIONES POR PÉRDIDA DE UTILIDADES. ALGUNOS ESTADOS NO PERMITEN LA EXCLUSIÓN O LIMITACIÓN DE RESPONSABILIDAD POR DAÑOS INCIDENTALES O EMERGENTES, POR LO QUE LA ANTERIOR LIMITACIÓN O EXCLUSIÓN PODRÍA NO APLICARSE A SU CASO. ESTA GARANTÍA ES EXCLUSIVA Y REEMPLAZA TODAS LAS DEMÁS GARANTÍAS EXPRESAS, ESCRITAS U ORALES, EN LA MEDIDA EN QUE LO PERMITA LA LEY. MILWAUKEE DESCONOCE CUALQUIER GARANTÍA IMPLÍCITA, INCLUYENDO, ENTRE OTRAS, CUALQUIER GARANTÍA IMPLÍCITA DE COMERCIABILIDAD O IDONEIDAD PARA UN FIN O USO ESPECÍFICO. EN LA MEDIDA EN QUE DICHO DESCARGO NO ESTÉ PERMITIDO POR LA LEY, DICHAS GARANTÍAS IMPLÍCITAS ESTÁN LIMITADAS A LA DURACIÓN DE LA GARANTÍA EXPRESA CORRESPONDIENTE QUE SE DESCRIBIÓ CON ANTERIORIDAD. ALGUNOS ESTADOS NO PERMITEN LIMITACIONES EN DURACIÓN DE UNA GARANTÍA IMPLÍCITA, POR LO QUE LA ANTERIOR LIMITACIÓN PODRÍA NO APLICARSE A SU CASO. ESTA GARANTÍA LE DA DERECHOS LEGALES ESPECÍFICOS Y USTED PODRÍA ADEMÁS TENER OTROS DERECHOS QUE VARIAN DE UN ESTADO A OTRO.

Esta garantía aplica a productos vendidos únicamente en los EE. UU. y Canadá.

Consulte la sección "Buscar centro de servicio" en la sección de "Piezas y servicio" del sitio web de MILWAUKEE en <http://www.milwaukeeetool.com> o llame al número 1.800.SAWDUST (1.800.729.3878) para localizar su centro de servicio más cercano para fines de servicio, con y sin garantía, en un producto, batería y cargador MX FUEL™.

# **PÓLIZA DE GARANTÍA - VALIDA SOLO PARA MÉXICO, AMÉRICA CENTRAL Y EL CARIBE**

La garantía de TECHTRONIC INDUSTRIES es por 2 años a partir de la fecha original de compra.

Esta tarjeta de garantía cubre cualquier defecto de material y mano de obra en ese Producto.

Para hacer válida esta garantía, presente esta tarjeta de garantía, cerrada/sellada por el distribuidor o la tienda donde compró el producto, al Centro de Servicio Autorizado (ASC). O, si esta tarjeta no se ha cerrado/sellado, presente la prueba original de compra a ASC. Llame 55 4160-3547 para encontrar el ASC más cercano, para servicio, partes, accesorios o componentes.

## **Procedimiento para hacer válida esta garantía**

Lleve el producto a ASC, junto con la tarjeta de garantía cerrada/sellada por el distribuidor o la tienda donde compró el producto, y cualquier pieza o componente defectuoso se reemplazará sin costo para usted. Cubriremos todos los costos de flete con relación a este proceso de garantía

## **Excepciones**

Esta garantía no tendrá validez en las siguientes situaciones:

- Cuando el producto se use de manera distinta a la que indica el manual del usuario final o de instrucciones.
- Cuando las condiciones de uso no sean normales.
- Cuando otras personas no autorizadas por TECHTRONIC INDUSTRIES modifiquen o reparen el producto.

**Nota:** si el juego de cables está dañado, tiene que reemplazarse en un Centro de Servicio Autorizado para evitar riesgos eléctricos.

**CENTRO DE SERVICIO Y ATENCIÓN**

Llame al 55 4160-3547

**IMPORTADO Y COMERCIALIZADO POR**

**TECHTRONIC INDUSTRIES, MÉXICO, S.A. DE C.V.**

Miguel de Cervantes Saavedra No.301 Piso 5, Torre Norte

11520 Colonia Ampliación Granada

Miguel Hidalgo, Ciudad de Mexico, Mexico

**Modelo:** \_\_\_\_\_

**Fecha de Compra:** \_\_\_\_\_

**Sello del Distribuidor:**

**MILWAUKEE TOOL**  
13135 West Lisbon Road  
Brookfield, WI 53005 USA

58140251d1  
08/19

961013107-01(B)  
Printed in China